



**Count on it.**

**Parts Catalog**

**22in Recycler<sup>®</sup> Max  
Lawn Mower with SmartStow<sup>®</sup>**

Model No. 21486—Serial No. 40000000 and Up



# Ordering Replacement Parts

To order replacement parts, please supply the part number, the quantity, and the description of each part desired.

## Understanding Reference Numbers

Each identified part in an illustration has a reference number. The reference number for a part also appears in the parts list, along with other information about the part.

This catalog uses two special reference number formats, one to indicate parts in a service assembly and another to indicate the quantity of a given part in an illustration.

## Service Assembly Reference Numbers

Parts in service assemblies have reference numbers in the form a:b. The a represents the reference number of the entire service assembly and the b represents a sequential number unique to each part within the service assembly.

For example, a wheel assembly might be identified by reference number 6, the tire by 6:1, the valve by 6:2, and the wheel by 6:3. When you order the assembly identified by reference number 6, you receive all parts identified by reference numbers 6:1, 6:2, and 6:3. However, you may also order any part individually. Reference numbers of this type appear in illustration and in parts lists.

## Reference Numbers Indicating Quantity

In an illustration, if a reference number indicates more than one part, the reference number has the form nX y. The n represents the quantity of the part, the X is the multiplication symbol, and the y represents the reference number.

For example, in an illustration, the reference number 2X 37 means that two of the parts identified by reference number 37 are indicated.

# Contents

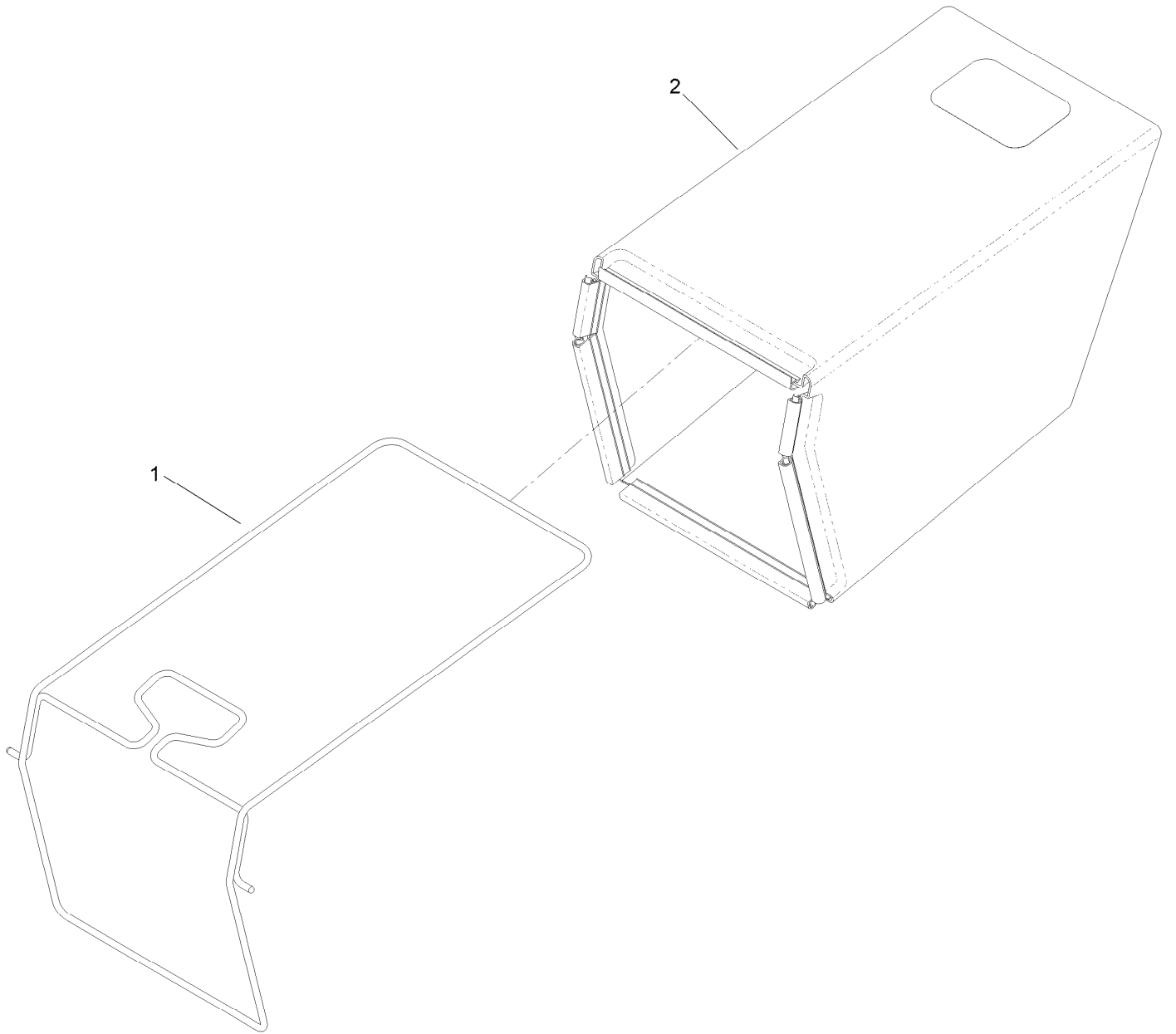
Housing Assembly .....	4
Rear Bag Assembly .....	6
Deck Decal Assembly .....	8
Engine Assembly .....	10
Front Wheel and Height-of-Cut Assembly .....	12
Rear Wheel and Height-of-Cut Assembly .....	14
Handle Assembly .....	16
Brake Bail and Starter Switch Assembly .....	18
Attachments and Accessories .....	20



## Housing Assembly (continued)

<i>Ref.</i>	<i>Part Number</i>	<i>Qty.</i>	<i>Description</i>	<i>Ref.</i>	<i>Part Number</i>	<i>Qty.</i>	<i>Description</i>
1	161-8183	1	Housing ASM	14	32104-120	2	Screw-PPH
2	144-6427	1	Baffle-Front	16	139-5476	1	ASM-Rear Door, In Mold
3	46-8091	17	Screw-HWH	16:2	140-2394	1	Artwork-Door, In-Mold
4	139-5440	1	Baffle-Rear, Rwd	18	139-5478	1	Spring-Torsion, LH
7	140-4038	1	Screw-Shldr,HWH	19	139-5479	1	Spring-Torsion, RH
9	140-2368	1	ASM-Chute, In Mold	30	139-5457	1	Bumper-Front
10	139-5443	1	Deflector-Recycle	31	139-5467	3	Screw-Plastic, HWH
11	139-5444	1	Knob-Recycle	32	144-0210	1	ASM-Intake, Rwd
12	139-5445	1	Latch-Recycle	33	140-2384	1	Cover-Intake, Bottom
13	140-4192	1	Spring-Compression	35	161-4751	1	Decal-Vortex

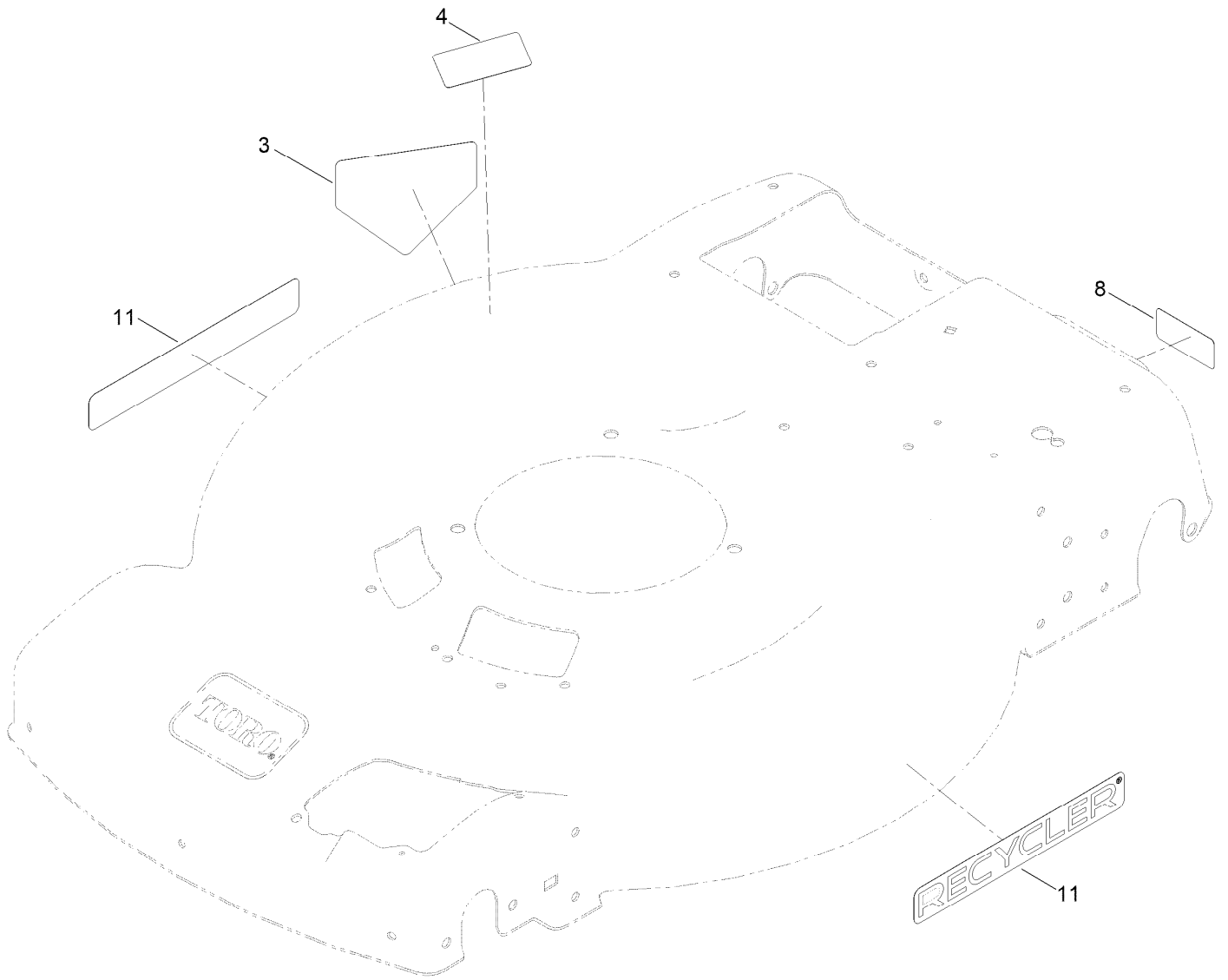
# Rear Bag Assembly



## Rear Bag Assembly (continued)

<i>Ref.</i>	<i>Part Number</i>	<i>Qty.</i>	<i>Description</i>
1	139-5470-03	1	ASM-Frame, Bag
2	139-5471	1	ASM-Bag, Grass

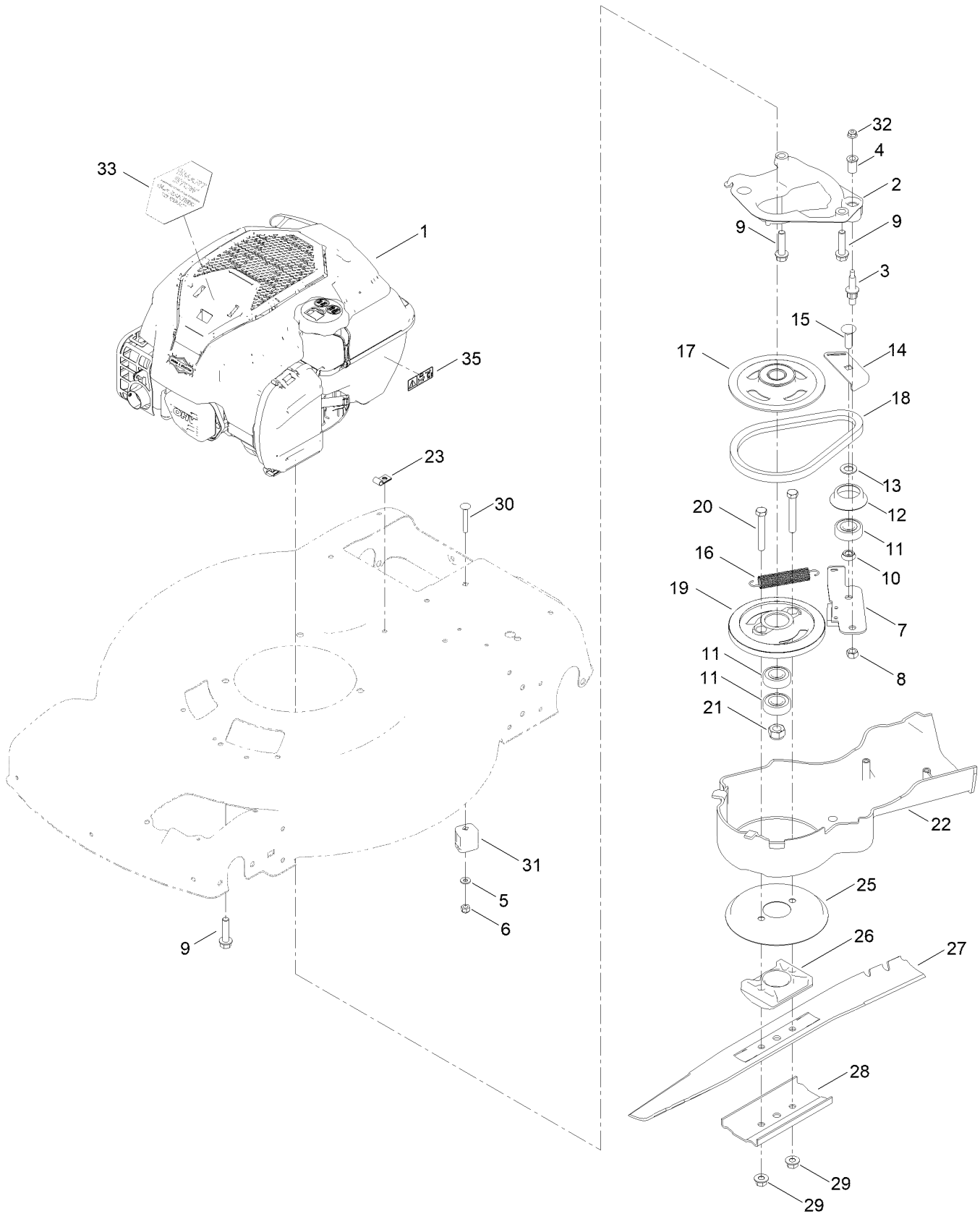
# Deck Decal Assembly



## Deck Decal Assembly (continued)

<i>Ref.</i>	<i>Part Number</i>	<i>Qty.</i>	<i>Description</i>	<i>Ref.</i>	<i>Part Number</i>	<i>Qty.</i>	<i>Description</i>
3	94-8072	1	Decal-Danger	8	121-5684	1	Decal-Location, Service Dealer
4	125-5092	1	Decal-Placement, Foot	11	161-4750	2	Decal-Recycler Max

# Engine Assembly



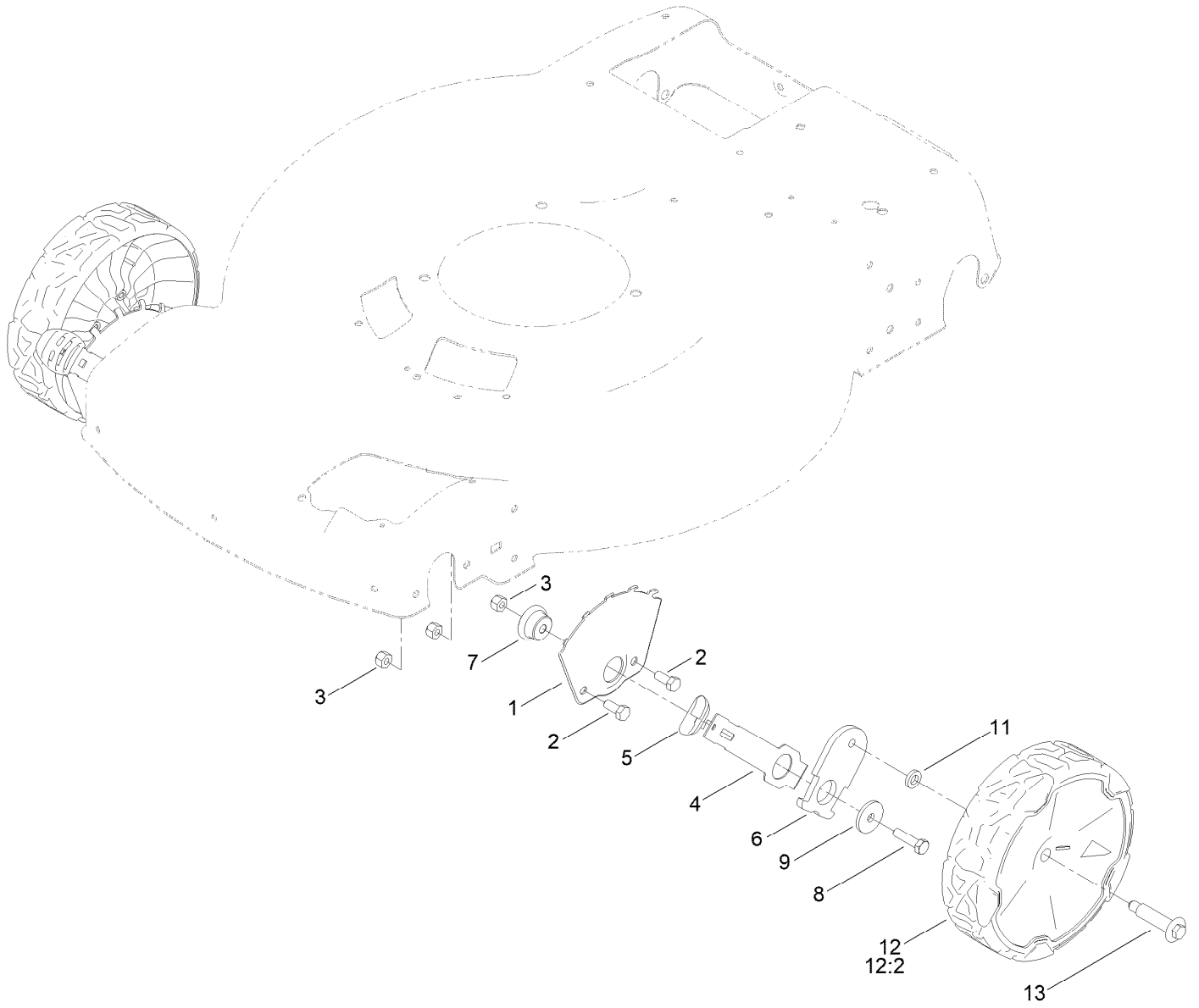
## Engine Assembly (continued)

<i>Ref.</i>	<i>Part Number</i>	<i>Qty.</i>	<i>Description</i>	<i>Ref.</i>	<i>Part Number</i>	<i>Qty.</i>	<i>Description</i>
1		1	Engine-Briggs 725 Exi BBC SS ●■	17	117-5970	1	Pulley
2	132-4469	1	Plate-Anchor	18	110-1790	1	Belt
3	107-0759	1	Bolt-Shoulder	19	126-8108	1	Drum
4	107-0797	1	Bushing	20	3211-42	2	Screw-HH
5	3256-16	1	Washer-Flat	21	108-9342	1	Nut-Hex
6	137-3094	1	Nut-Hex	22	115-2892	1	Cover
7	125-1063	1	Plate-Brake	23	2412-72	1	Clip-Closed, Insulated
8	603773	2	Nut-Hex Lock	25	138-3225	1	Disk
9	32144-102	3	Screw-HWH	26	107-7487	1	Support-Blade
10	107-0758	1	Spacer-Bearing	27	131-4547-03	1	Blade-22 Inch
11	38-7820	3	Bearing-Ball	28	108-3766-03	1	Support-Blade
12	138-3217	1	Retainer-Belt	29	127-6852	2	Nut-Flange, Lock
13	605256	1	Spacer	30	120-9698	1	Bolt-CARR
14	138-3222	1	Plate-Guide	31	106-6801	1	Anchor-Cable
15	119-4162	1	Screw-CARR	32	119-4040	1	Nut-HF, NI
16	108-3792	1	Spring-Tension, Brake	33	145-5603	1	Decal-Briggs 725 Exi SS
				35	133-8198	1	Decal-Level, Fuel

● Not serviced separately

■ Obtain parts from [www.briggsandstratton.com](http://www.briggsandstratton.com)

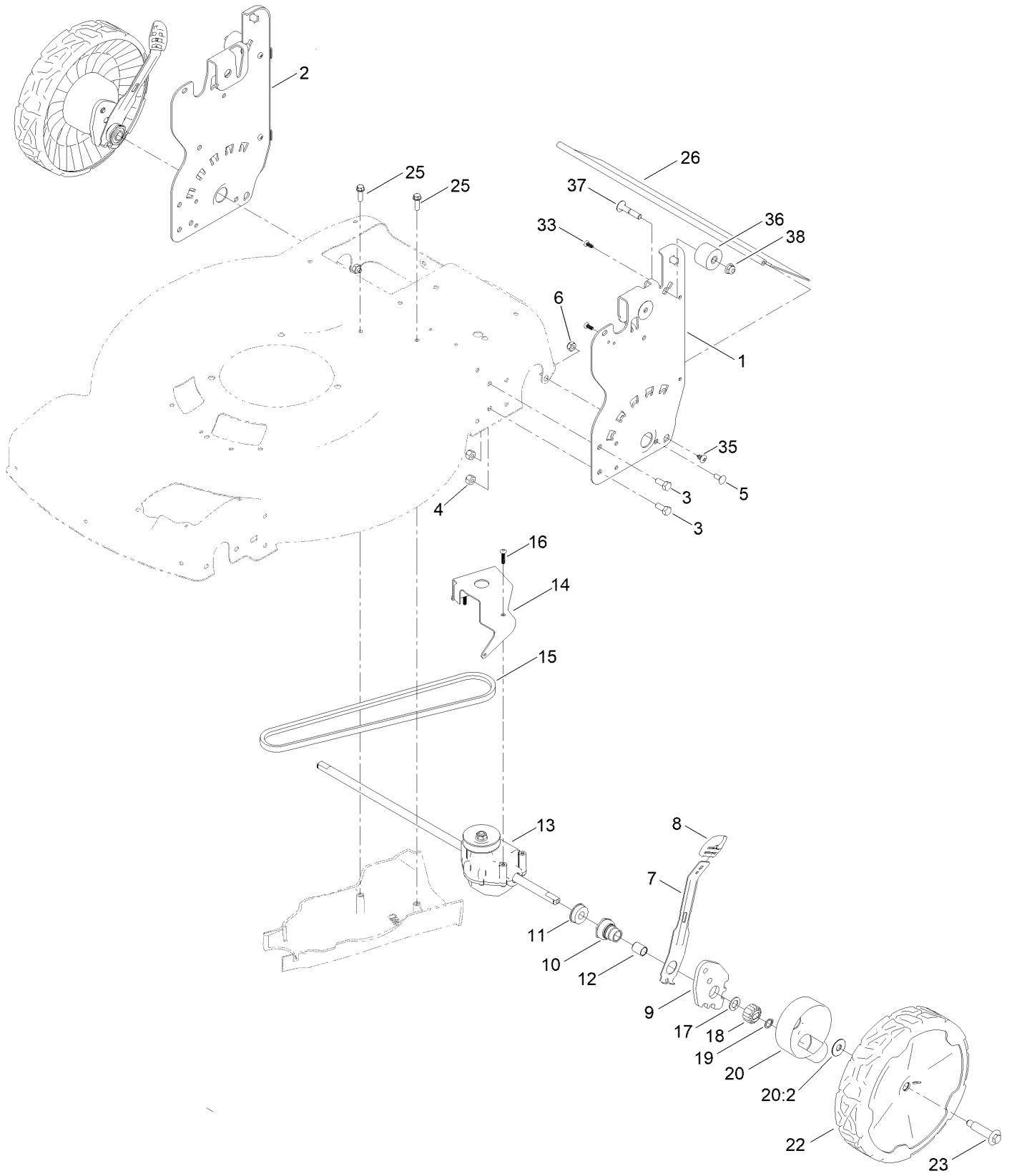
# Front Wheel and Height-of-Cut Assembly



## Front Wheel and Height-of-Cut Assembly (continued)

<i>Ref.</i>	<i>Part Number</i>	<i>Qty.</i>	<i>Description</i>	<i>Ref.</i>	<i>Part Number</i>	<i>Qty.</i>	<i>Description</i>
1	115-1956-05	2	Plate-HOC,Front Fsvq	8	322-6	2	Screw-HH
2	322-3	4	Screw-HH	9	105-3048	2	Washer-Flat
3	3296-29	6	Nut-Lock, NI	11	139-5449	2	Washer-Wheel Bolt
4	105-1809	2	Arm-Spring	12	144-6469	2	ASM-Wheel, 8" (Bearings)
5	105-3042	2	Knob-Lever, HOC	12:2	52-2450	2	Bearing-Wheel
6	137-9128	2	Arm-Pivot, Front	13	145-3899	2	Wheel Bolt
7	105-1818	2	Bushing-Mount, HOC				

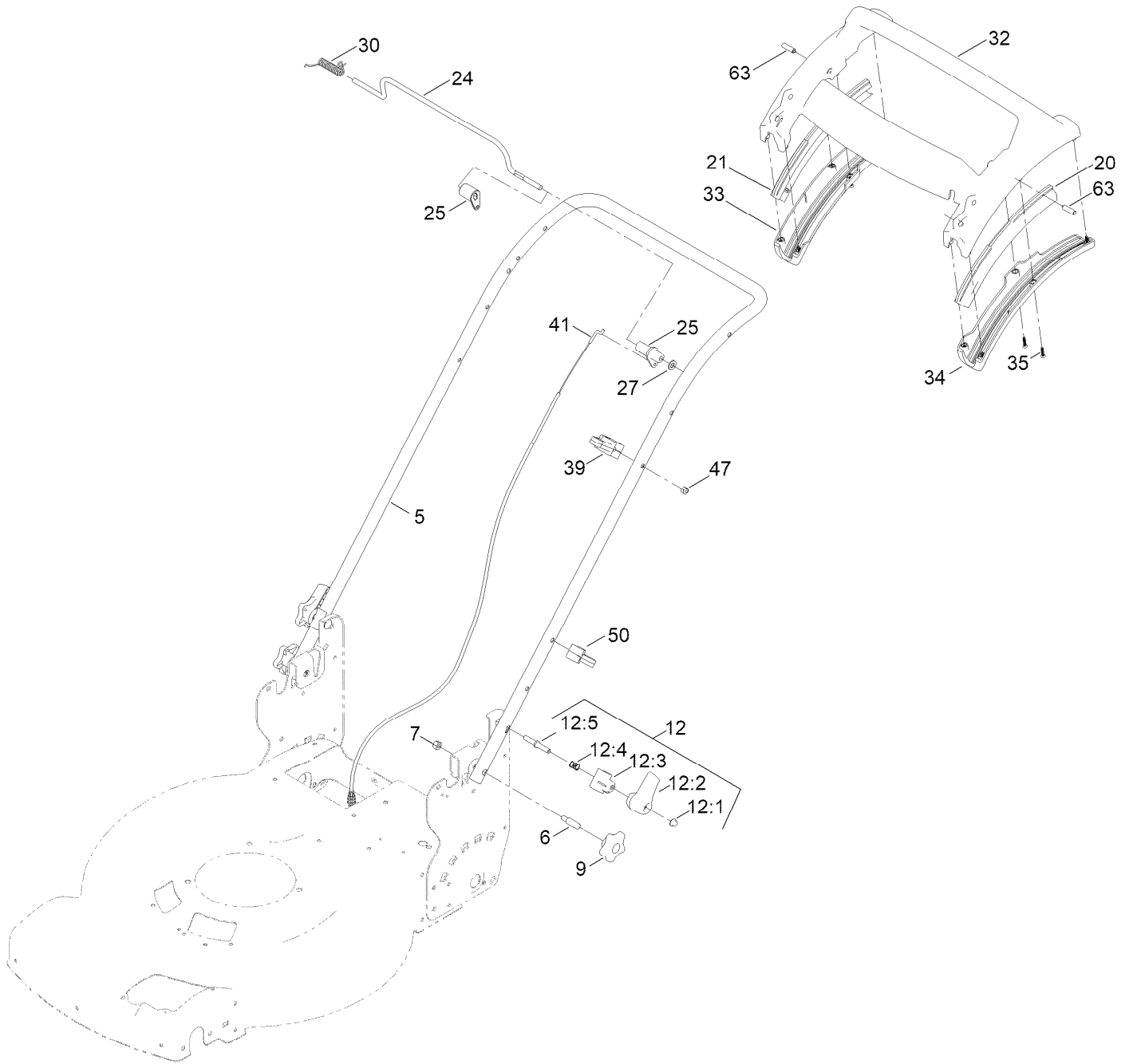
# Rear Wheel and Height-of-Cut Assembly



## Rear Wheel and Height-of-Cut Assembly (continued)

<i>Ref.</i>	<i>Part Number</i>	<i>Qty.</i>	<i>Description</i>	<i>Ref.</i>	<i>Part Number</i>	<i>Qty.</i>	<i>Description</i>
1	145-5651-05	1	Plate-HOC, LH (ISO)	16	108-7476	3	Screw-Plastite
2	145-5650-05	1	Plate-HOC, RH (ISO)	17	110-7191	2	Washer-Thrust
3	322-3	4	Screw-HH	18	131-5399	2	Gear-Pinion, 15T
4	3296-29	4	Nut-Lock, NI	19	32151-61	2	Ring-Retaining
5	3229-11	2	Screw-CARR	20	140-2362	2	ASM-Cover, Gear (Dk Gray)
6	3296-16	2	Nut-Lock, NI	20:2	614426	1	Washer-Stepped
7	132-4486	2	Arm-Spring	22	144-6474	2	ASM-9.65" Wheel, Geared
8	105-3042	2	Knob-Lever, HOC	23	145-3899	2	Wheel Bolt
9	139-5451	2	Arm-Pivot, Rear	25	46-8091	2	Screw-HWH
10	108-9779	2	Retainer-Bushing, HOC	26	139-6597	1	Shield-Trailing
11	104-8699	2	Bearing-Ball	33	107-7461	4	Screw-Plastite
12	108-9782	2	Bushing-Sleeve	35	139-1692	2	Screw-PTH
13	139-6561	1	Transmission-Rwd	36	144-0218	2	Bumper-Isolator
14	114-7977-03	1	Bracket-Transmission	37	144-6540	2	Screw-CARR-Spcl
15	140-4041	1	V-Belt	38	104-8300	2	Nut-HF, NI

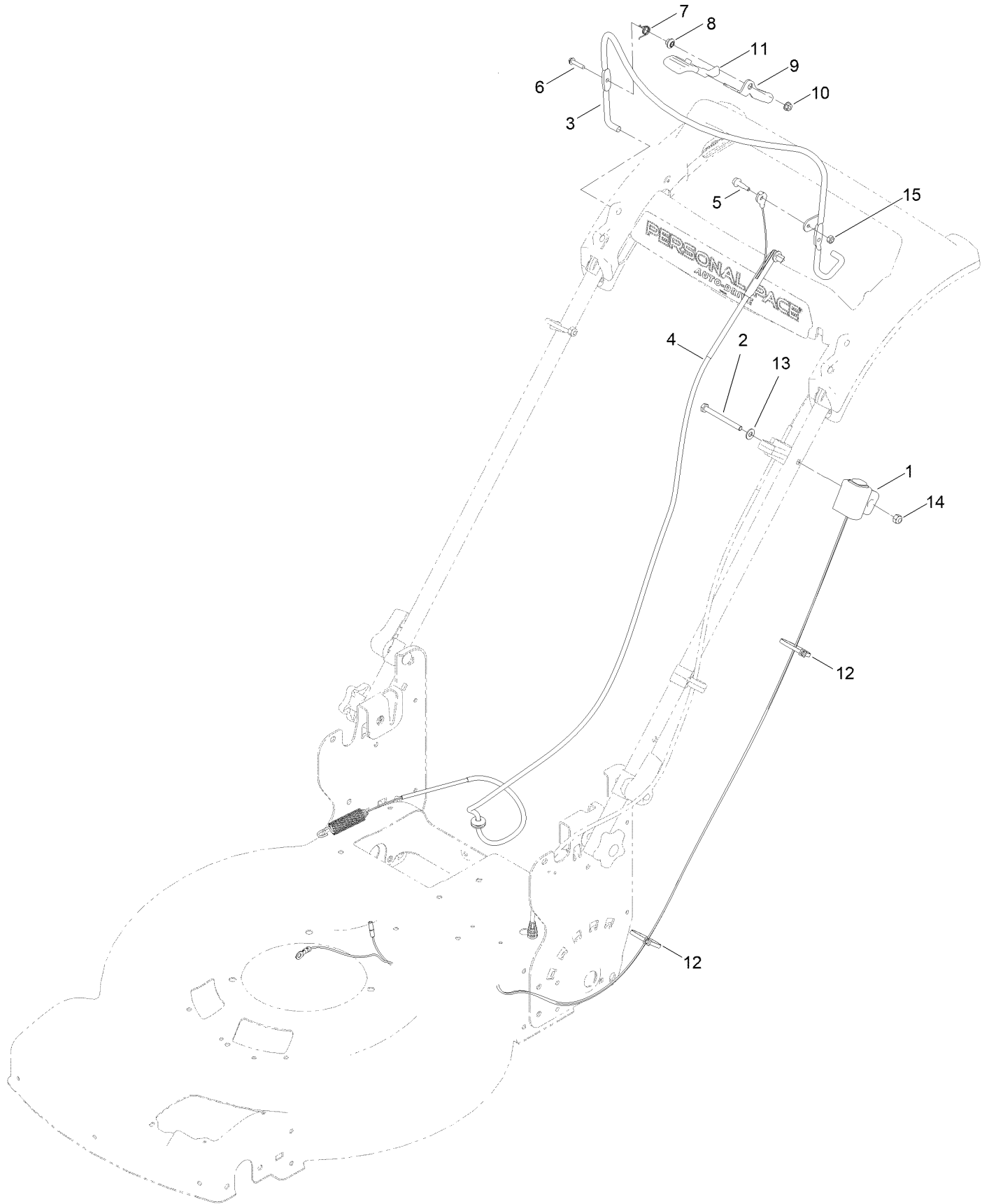
# Handle Assembly



## Handle Assembly (continued)

<i>Ref.</i>	<i>Part Number</i>	<i>Qty.</i>	<i>Description</i>	<i>Ref.</i>	<i>Part Number</i>	<i>Qty.</i>	<i>Description</i>
5	144-6516-05	1	Handle-Curved	25	139-6554	1	Lever-Traction, Rwd
6	139-6588	2	Bolt-Shoulder, Handle	27	3256-23	1	Washer-Plain
7	3296-29	2	Nut-Lock, NI	30	140-4194	1	Spring-Torsion
9	117-5976	2	Knob-Handle	32	139-6569	1	Handle-Personal Pace, Curved
12	138-3249	2	Quick Release ASM	33	139-6567	1	Bottom-Handle, RH
12:1	140-4157	1	Nut-Push	34	139-6568	1	Bottom-Handle, LH
12:2	138-3248	1	Lever-Release	35	94-4496	10	Screw-PPH
12:3	138-3253	1	Anchor-Spring	39	139-6581	1	Anchor-Cable, Rwd
12:4	115-2858	1	Spring-Compression	41	139-6595	1	Cable-Traction, Rwd (Pp)
12:5	140-4158	1	Rod-Release	47	3296-73	1	Nut-Lock, NI
20	140-2367	1	Guide-Curved, LH (Rwd)	50	114-7988	1	Guide-Cable
21	140-2366	1	Guide-Curved, RH (Rwd)	63	139-6577	2	Pin-Handle, Pp
24	139-5464	1	Rod-Control, Traction				

# Brake Bail and Starter Switch Assembly



## Brake Bail and Starter Switch Assembly (continued)

<i>Ref.</i>	<i>Part Number</i>	<i>Qty.</i>	<i>Description</i>	<i>Ref.</i>	<i>Part Number</i>	<i>Qty.</i>	<i>Description</i>
1	117-5975	1	Switch Housing ASM	9	161-4788	1	Lever
2	321-57	1	Screw-HH	10	139-1712	1	Nut-Hex Flange
3	147-0505-03	1	Bail-Brake [black]	11	112-8884	1	Knob
4	115-8439	1	Cable-Brake	12	614249	2	Tie-Cable
5	139-1709	1	Screw-Shoulder	13	139-1699	1	Washer-Flat
6	106-9169	1	Screw-HWH	14	3296-73	1	Nut-Lock, NI
7	107-7462	1	Spring-Torsion	15	137-3085	1	Nut-Hex
8	107-7463	1	Spacer				

# Attachments and Accessories

## For 21486 — 22in Recycler Max Lawn Mower with SmartStow

<b>Product Name</b>	<b>Model/Part</b>
Chute ASM .....	147-8696
Lawn Striping Kit with 22in Roller.....	20601
Bag-Walk Behind (Toro).....	490-7318
Lawnmower Cover.....	490-7462
22 Inch Atomic Blade.....	59534P

**Notes:**

**Notes:**

**Notes:**



**Count on it.**