



Count on it.

Parts Catalog

**Z Master® Professional 6000
Series Riding Mower**

**with 72in TURBO FORCE® Side Discharge
Mower**

Model No. 72961—Serial No. 420398699 and Up



Ordering Replacement Parts

To order replacement parts, please supply the part number, the quantity, and the description of each part desired.

Understanding Reference Numbers

Each identified part in an illustration has a reference number. The reference number for a part also appears in the parts list, along with other information about the part.

This catalog uses two special reference number formats, one to indicate parts in a service assembly and another to indicate the quantity of a given part in an illustration.

Service Assembly Reference Numbers

Parts in service assemblies have reference numbers in the form a:b. The a represents the reference number of the entire service assembly and the b represents a sequential number unique to each part within the service assembly.

For example, a wheel assembly might be identified by reference number 6, the tire by 6:1, the valve by 6:2, and the wheel by 6:3. When you order the assembly identified by reference number 6, you receive all parts identified by reference numbers 6:1, 6:2, and 6:3. However, you may also order any part individually. Reference numbers of this type appear in illustration and in parts lists.

Reference Numbers Indicating Quantity

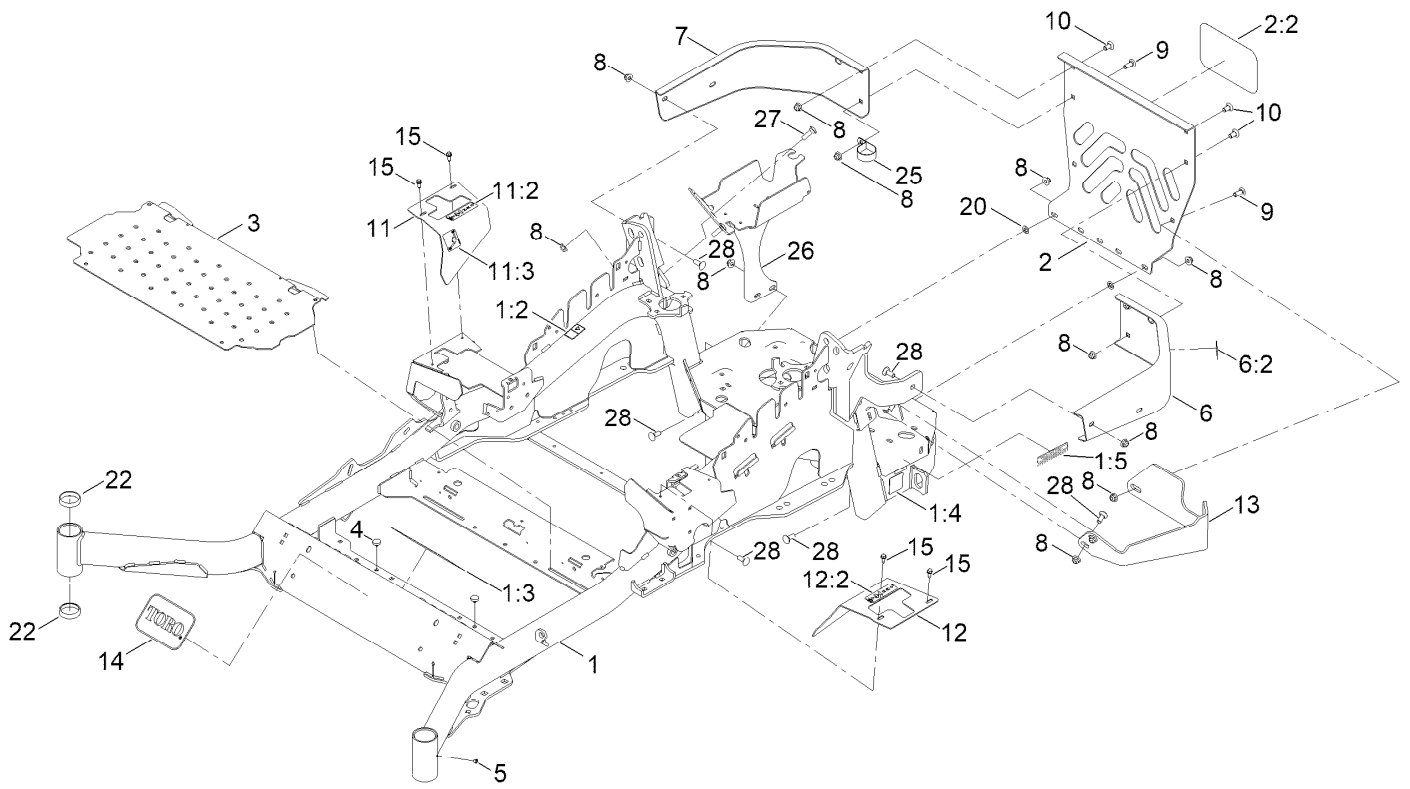
In an illustration, if a reference number indicates more than one part, the reference number has the form nX y. The n represents the quantity of the part, the X is the multiplication symbol, and the y represents the reference number.

For example, in an illustration, the reference number 2X 37 means that two of the parts identified by reference number 37 are indicated.

Contents

Frame Assembly	4
Roll-Over Protection System Assembly No. 109-9211	6
Caster Fork and Wheel Assembly	8
Hydraulic Drive Assembly	10
Pump Idler Assembly No. 116-1255	12
LH Hydro Assembly No. 135-7907	14
RH Hydro Assembly No. 135-7908	16
Rear Wheel Assembly	18
Park Brake Assembly	20
Fuel System Assembly	22
Fuel Tank Assembly No. 135-0643	24
Seat Mounting Assembly	26
Seat Assembly No. 147-4984	28
Motion Control Assembly	30
Console Assembly	32
RH Console Assembly No. 115-7400	34
LH Console Assembly No. 115-7401	36
Electrical Assembly	38
Deck Lift Assembly	40
Height-of-Cut Assembly No. 109-7438	42
Engine and Muffler Assembly	44
Deck Assembly	46
Deck Decal Assembly No. 140-1170	48
Rubber Deflector Assembly No. 108-2792	50
Idler Arm Assembly	52
Frame Decal Assembly	54
Attachments and Accessories	56

Frame Assembly

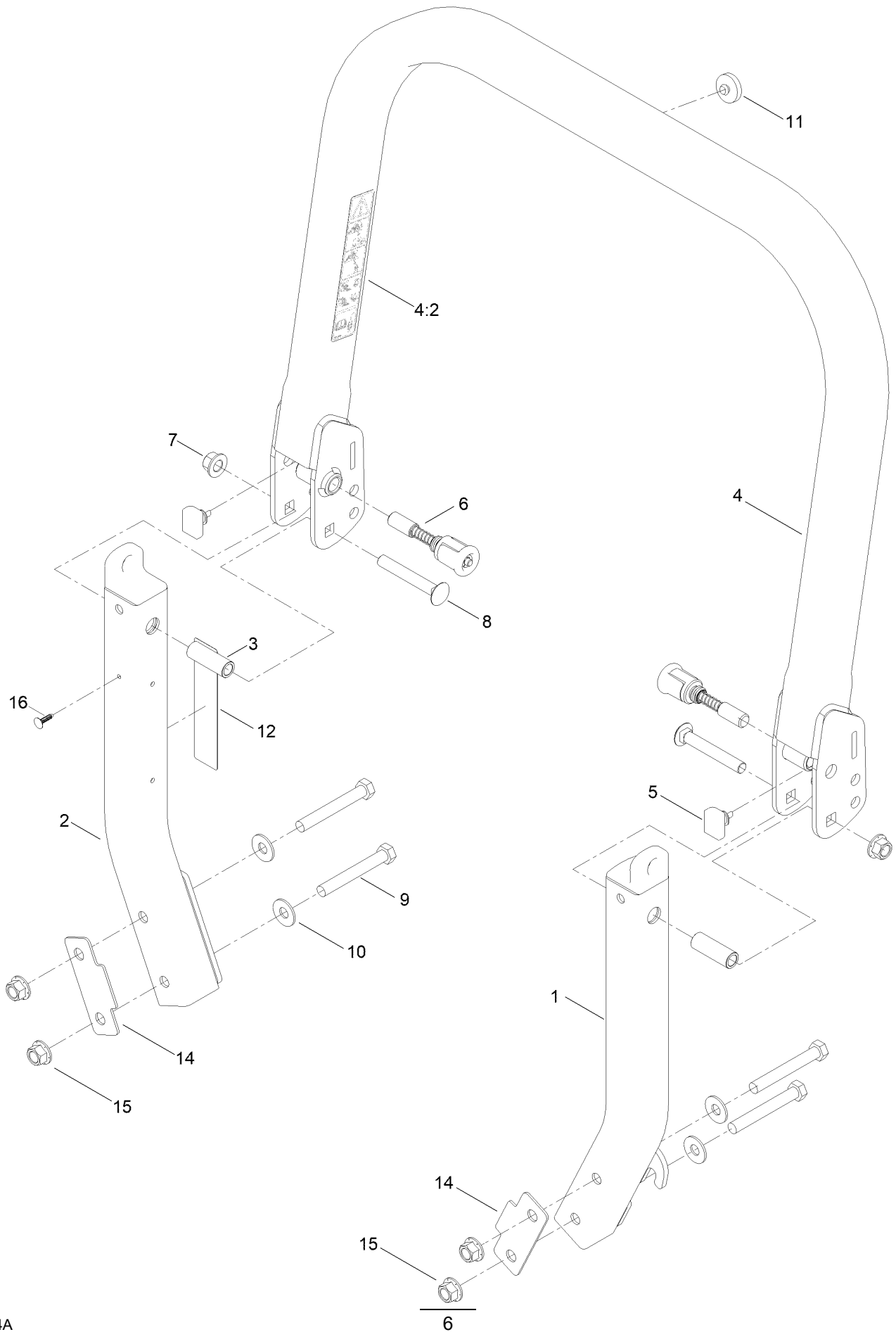


Frame Assembly (continued)

<i>Ref.</i>	<i>Part Number</i>	<i>Qty.</i>	<i>Description</i>	<i>Ref.</i>	<i>Part Number</i>	<i>Qty.</i>	<i>Description</i>
1	142-7266	1	Mainframe Service ASM - 72	11	116-5899	1	RH Motion Control Cover ASM
1:2	106-5517	2	Decal-Warning	11:2	99-8936	1	Decal-Control, Motion
1:3	132-0871	1	Decal-Danger	11:3	116-5988	1	Decal-Park Brake, CE
1:4	106-2655	2	Decal-Hazard, Pinched Finger	12	116-0580	1	LH Motion Control Cover ASM
1:5	133-8062	1	Decal-Spark Arrestor	12:2	99-8936	1	Decal-Control, Motion
2	115-7410	1	Rear Guard ASM	13	146-8267	1	ASM-Muffler Guard W/Heat Tape
2:2	67-7320	1	Decal	13:1	146-7152	1	Shield-Muffler Guard Heat ●
3	116-8898-01	1	Floorpan	14	68-3640	1	Decal
4	1-513658	2	Bumper	15	32144-10	4	Screw-HWH
5	1-811010	2	Plug	20	107-3154	2	Nut-Push
6	116-0180	1	LH Bumper ASM	22	1-543508	4	Cup-Bearing
6:2	106-5517	1	Decal-Warning	25	2412-147	1	Clamp-R
7	116-0057-03	1	Bumper-RH	26	146-6751-01	1	Weld-Battery Mount
8	119-4042	15	Nut-HF, NI	27	3231-25	2	Bolt-CARR
9	3231-22	2	Screw-CARR	28	3231-2	8	Bolt-CARR
10	3231-21	3	Screw-CARR				

● Not illustrated

Roll-Over Protection System Assembly No. 109-9211

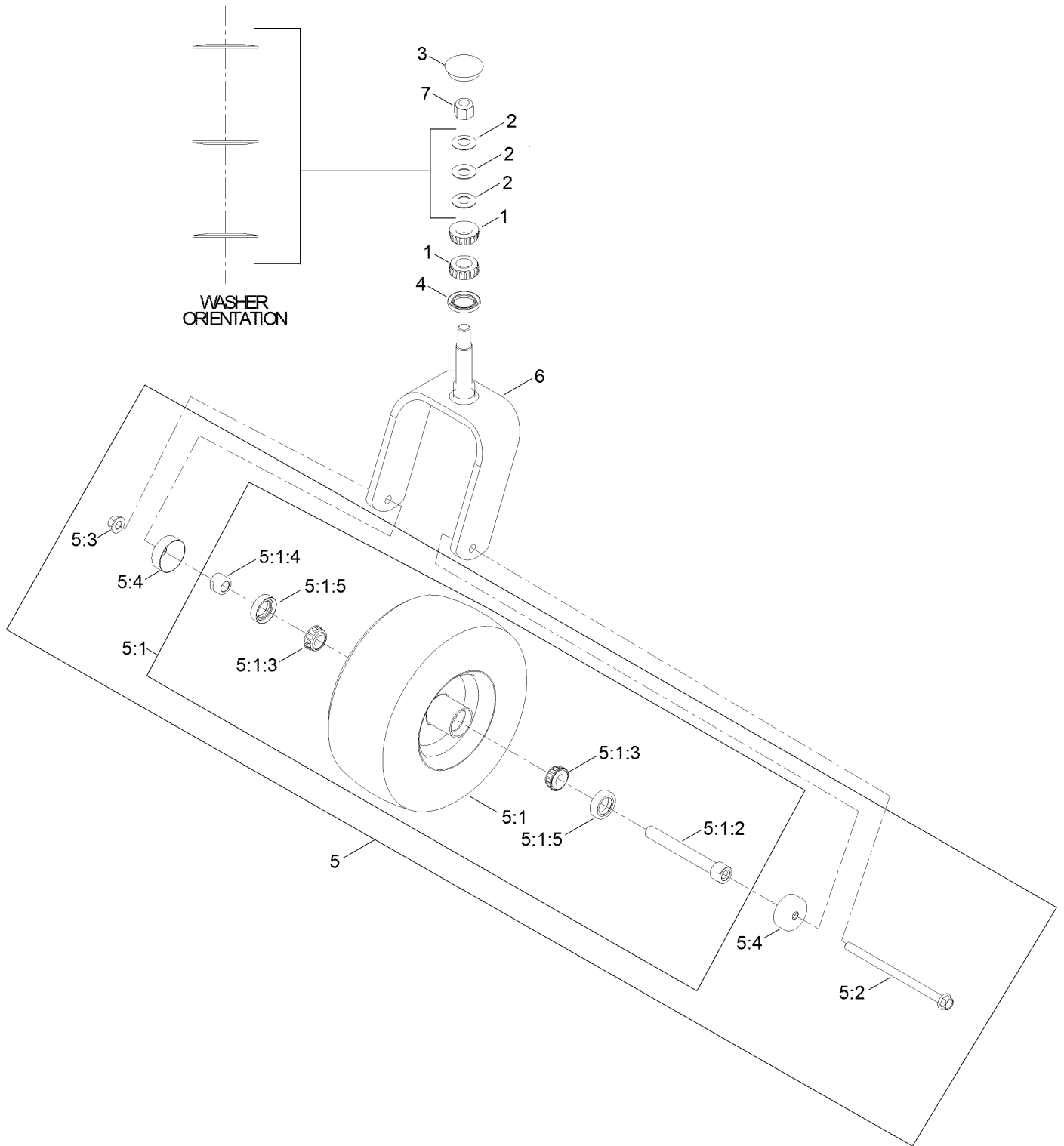


Roll-Over Protection System Assembly No. 109-9211 (continued)

<i>Ref.</i>	<i>Part Number</i>	<i>Qty.</i>	<i>Description</i>	<i>Ref.</i>	<i>Part Number</i>	<i>Qty.</i>	<i>Description</i>
1		1	Leg-ROPS, LH ●	8	3233-10	2	Screw-CARR
2		1	Leg-ROPS, RH ●	9	325-35	4	Screw-HH
3	109-6653	2	Spacer	10	109-9505	4	Washer-Spring
4		1	Upper ROPS ASM ●	11	109-9233	1	Bumper-Push-In, Rubber
4:2	107-3069	1	Decal-Warning	12	117-0346	1	Decal-Caution, Fuel Vent
5	109-5337	2	Bumper-ROPS	14	116-0960	2	Spacer
6	116-0104	2	Pin-Spring	15	325-13	2	Screw-HH
7	139-1689	8	Nut-HF	16	125-8067	1	Plug-Plastic

● Not serviced separately

Caster Fork and Wheel Assembly

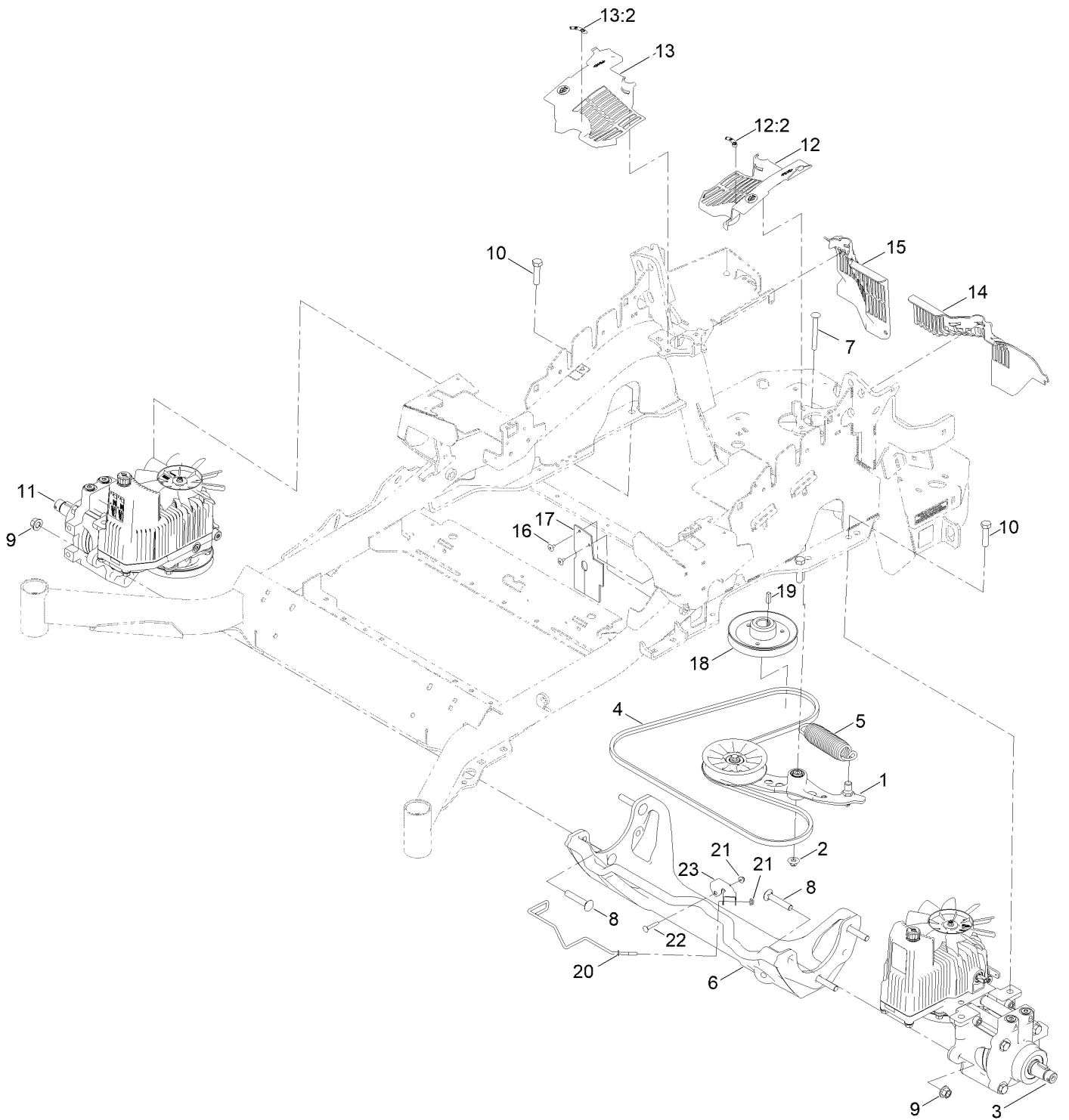


Caster Fork and Wheel Assembly (continued)

<i>Ref.</i>	<i>Part Number</i>	<i>Qty.</i>	<i>Description</i>	<i>Ref.</i>	<i>Part Number</i>	<i>Qty.</i>	<i>Description</i>
1	1-543509	2	Bearing-Roller, Tapered	5:1:3	1-633585	2	Bearing-Cone, Taper
2	1-633508	3	Washer-Bellville	5:1:4	103-3051	1	Spacer-Nut
3	103-4882	1	Cap-Grease	5:1:5	103-0063	2	Seal-Caster
4	116-5647	1	Seal-Grease	5:2	147-2939	1	Screw-HHF
5	146-7967	1	Semi Pneumatic ASM	5:3	139-1689	1	Nut-HF
			13X6.50-6	5:4	103-2768	2	Guard-Seal
5:1		1	Wheel And Bearings ASM ●	6	146-2794-01	1	Weld, Caster Fork
5:1:2	126-7796	1	Caster Axle ASM	7	3296-51	1	Nut-Lock, NI

● Not serviced separately

Hydraulic Drive Assembly



Hydraulic Drive Assembly (continued)

<i>Ref.</i>	<i>Part Number</i>	<i>Qty.</i>	<i>Description</i>	<i>Ref.</i>	<i>Part Number</i>	<i>Qty.</i>	<i>Description</i>
1	116-1255	1	Pump Idler ASM	14	109-9709	1	Guard-Hydro, Rear Trim (LH)
2	109-6658	1	Nut-Flange, NI	15	109-9058	1	Guard-Hydro, Rear (RH)
3	135-7907	1	Hydro-LH	16	1-803035	2	Rivet-Pop
4	126-9835	1	Belt-V	17	116-2362	1	Deflector-Air Flow
5	116-6317	1	Spring-Extension	18	142-9445	1	Sheave, W/Hub
6	116-7558	1	Cradle-Hydro	19	1-807259	1	Key
7	116-1502	1	Bolt-Shoulder, Carriage	20	146-5103	1	Guide-Belt
8	126-0095	6	Screw-CARR	21	104-7201	2	Nut-HF, NI
9	139-1689	6	Nut-HF	22	3229-4	1	Screw-CARR
10	325-8	4	Screw-HH	23	146-5102	1	Bracket-U
11	135-7908	1	Hydro-RH	99	114-4713	1	Hypr-Oil 500 (Quart) ●
12	116-0170	1	LH Hydro Guard ASM	99	114-4714	1	Hypr-Oil 500 (Gallon) ●
12:2	116-8726	1	Decal-Oil, Hydro	99	114-4715	1	Hypr-Oil 500-5 (5 Gallon) ●
13	116-0171	1	RH Hydro Guard ASM	99	117-0390	1	Filter-Hydro ●
13:2	116-8726	1	Decal-Oil, Hydro				

● Not illustrated

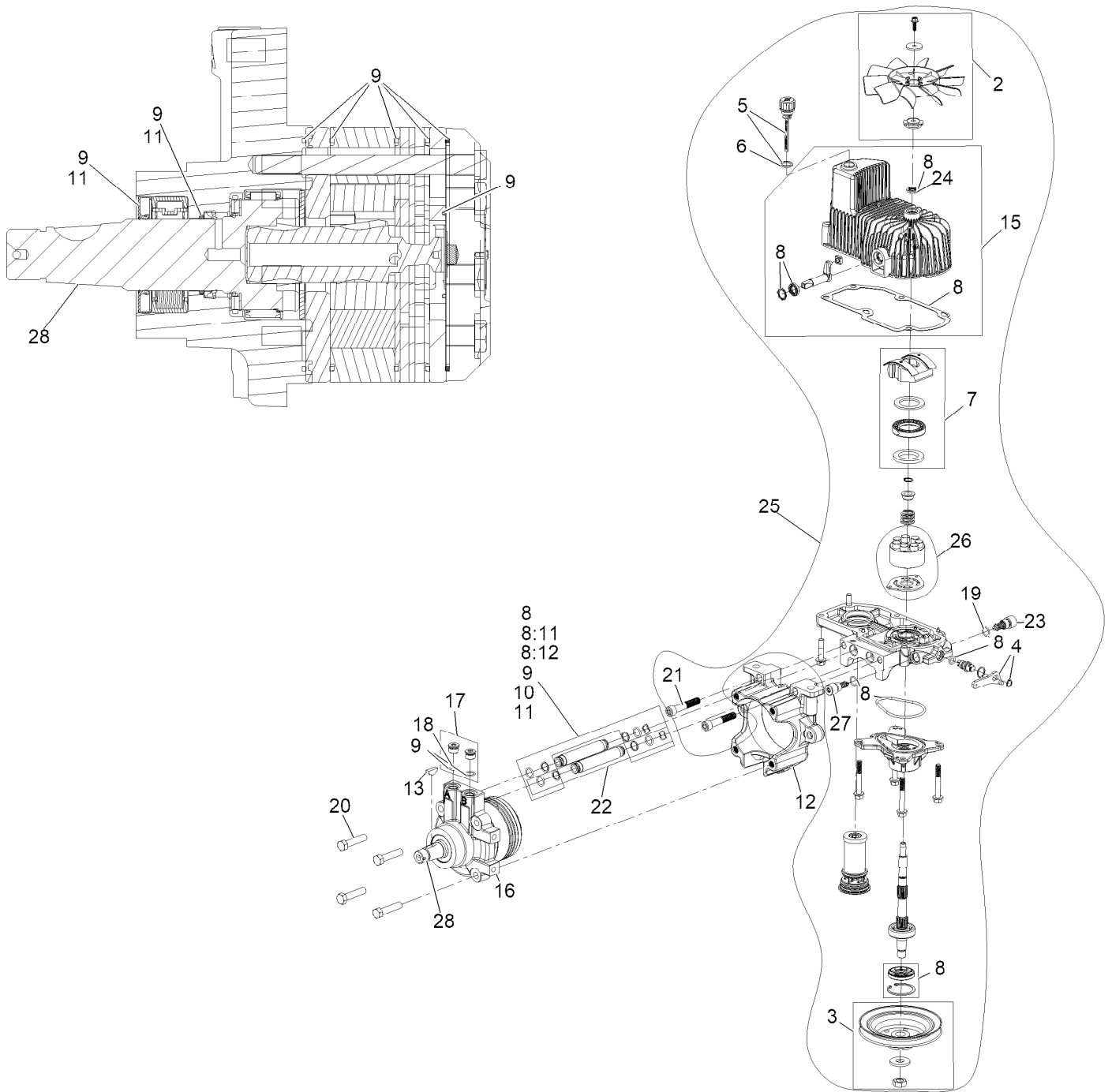
Pump Idler Assembly No. 116-1255



Pump Idler Assembly No. 116-1255 (continued)

<i>Ref.</i>	<i>Part Number</i>	<i>Qty.</i>	<i>Description</i>	<i>Ref.</i>	<i>Part Number</i>	<i>Qty.</i>	<i>Description</i>
2	43-0940	1	Spacer	8	323-8	1	Screw-HH
3	103-3504	2	Bearing-Spherical	9	32120-10	2	Ring-Snap
4	103-3505	1	Seal-Lip, Double	10	302-19	1	Fitting-Grease
5	103-3506	1	Seal-Lip, Single	11	109-8076	1	Pulley-Idler
6	109-6658	1	Nut-Flange, NI	12	132-4724	1	Pin-Anchor, Spring
7	106-7159	2	O-Ring				

LH Hydro Assembly No. 135-7907



LH Hydro Assembly No. 135-7907 (continued)

<i>Ref.</i>	<i>Part Number</i>	<i>Qty.</i>	<i>Description</i>	<i>Ref.</i>	<i>Part Number</i>	<i>Qty.</i>	<i>Description</i>
2	142-3603	1	Kit, 7.8 In Fan	16	146-1948	1	HYD Motor,280Cc LH Sealed
3	116-0234	1	Pulley Kit	17	116-7901	1	Magnetic Plugs Service Kit
4	116-0235	1	Handle	18	76-1900	2	O-Ring
5	116-0236	1	Dipstick	19	116-8662	2	O-Ring-Valve, Check
6	116-0237	1	Gasket	20	116-8974	4	Screw-HH 1/2-20 X 2 1/4
7	116-1367	1	Swash Block Kit	21	116-8975	2	Screw-HSH 1/2-20 X 2 3/4
8	142-3604	1	Kit, Pump Seal	22	116-9922	2	Hydraulic Tube Kit
8:11	450-0055-00	1	478086 Parker G16 Pump Shaft Seal	23	126-7467	1	Shock Valve, 16Cc Hydro
8:12	450-0056-00	1	478087 Trunnion Arm Seal	24	126-7711	1	Seal-Drive, Fan
9	116-1369	1	Motor Seal Kit	25	142-3607	1	Kit, Pump Section 16Cc LH
10	116-1370	1	Tube Seal Kit	26	142-4501	1	Kit - 16Cc Port Plate, Rotate Grp
11	116-1371	1	Output Shaft Seal Kit	27	142-4458	1	Shock Valve Orificed 3300
12	116-5469	1	Cup-Nose	28	146-3749	1	Output Shaft- TI Uht Motor
13	3257-42	1	Key-Woodruff 5/16 X 1	99	116-1373	1	Flow Test Kit ●
15	142-4460	1	Kit, Housing-Hydro LH				

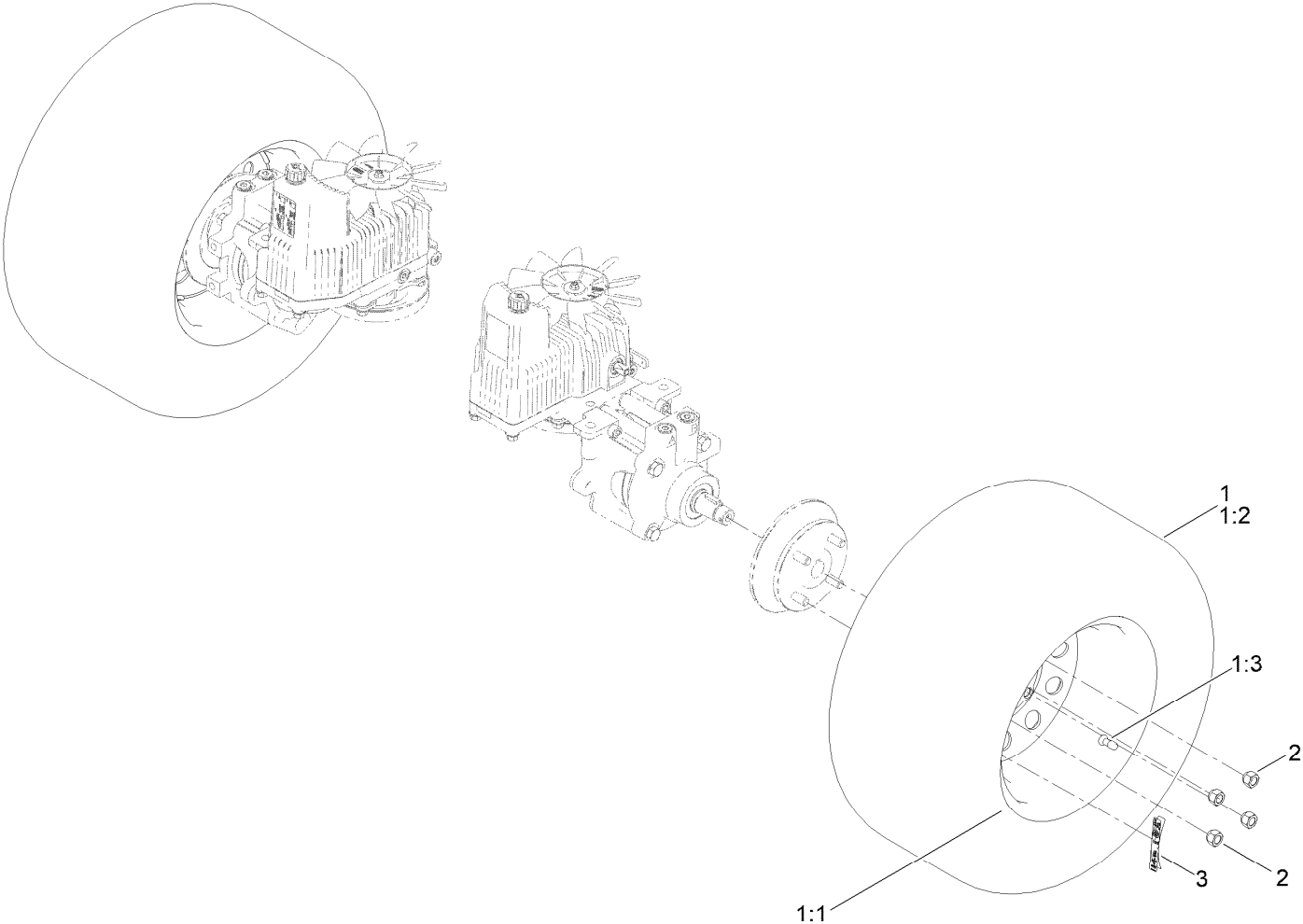
● Not illustrated

RH Hydro Assembly No. 135-7908 (continued)

<i>Ref.</i>	<i>Part Number</i>	<i>Qty.</i>	<i>Description</i>	<i>Ref.</i>	<i>Part Number</i>	<i>Qty.</i>	<i>Description</i>
1	135-7827	1	Plate, Horse Shoe Mount	16	146-1947	1	HYD Motor,280Cc RH Sealed
2	142-3603	1	Kit, 7.8 In Fan	17	116-7901	1	Magnetic Plugs Service Kit
3	116-0234	1	Pulley Kit	18	76-1900	2	O-Ring
4	116-0235	1	Handle	19	116-8662	2	O-Ring-Valve, Check
5	116-0237	1	Gasket	20	116-8974	4	Screw HH
6	116-0236	1	Dipstick	21	116-8975	2	Screw-HSH
7	116-1367	1	Swash Block Kit	22	116-9922	2	Hydraulic Tube Kit
8	142-3604	1	Kit, Pump Seal	23	126-7467	1	Shock Valve, 16Cc Hydro
8:11	450-0055-00	1	478086 Parker G16 Pump Shaft Seal	24	126-7711	1	Seal-Drive, Fan
8:12	450-0056-00	1	478087 Trunnion Arm Seal	25	142-3606	1	Kit, Pump Section 16Cc RH
9	116-1369	1	Motor Seal Kit	26	142-4501	1	Kit - 16Cc Port Plate, Rotate Grp
10	116-1370	1	Tube Seal Kit	27	142-4458	1	Shock Valve Orificed 3300
11	116-1371	1	Output Shaft Seal Kit	28	146-3749	1	Output Shaft- TI Uht Motor
12	116-5469	1	Cup-Nose	99	116-1373	1	Flow Test Kit ●
13	3257-42	1	Key-Woodruff	99	116-4245	1	Puller-Pulley
15	142-4461	1	Kit, Housing-Hydro RH				

● Not illustrated

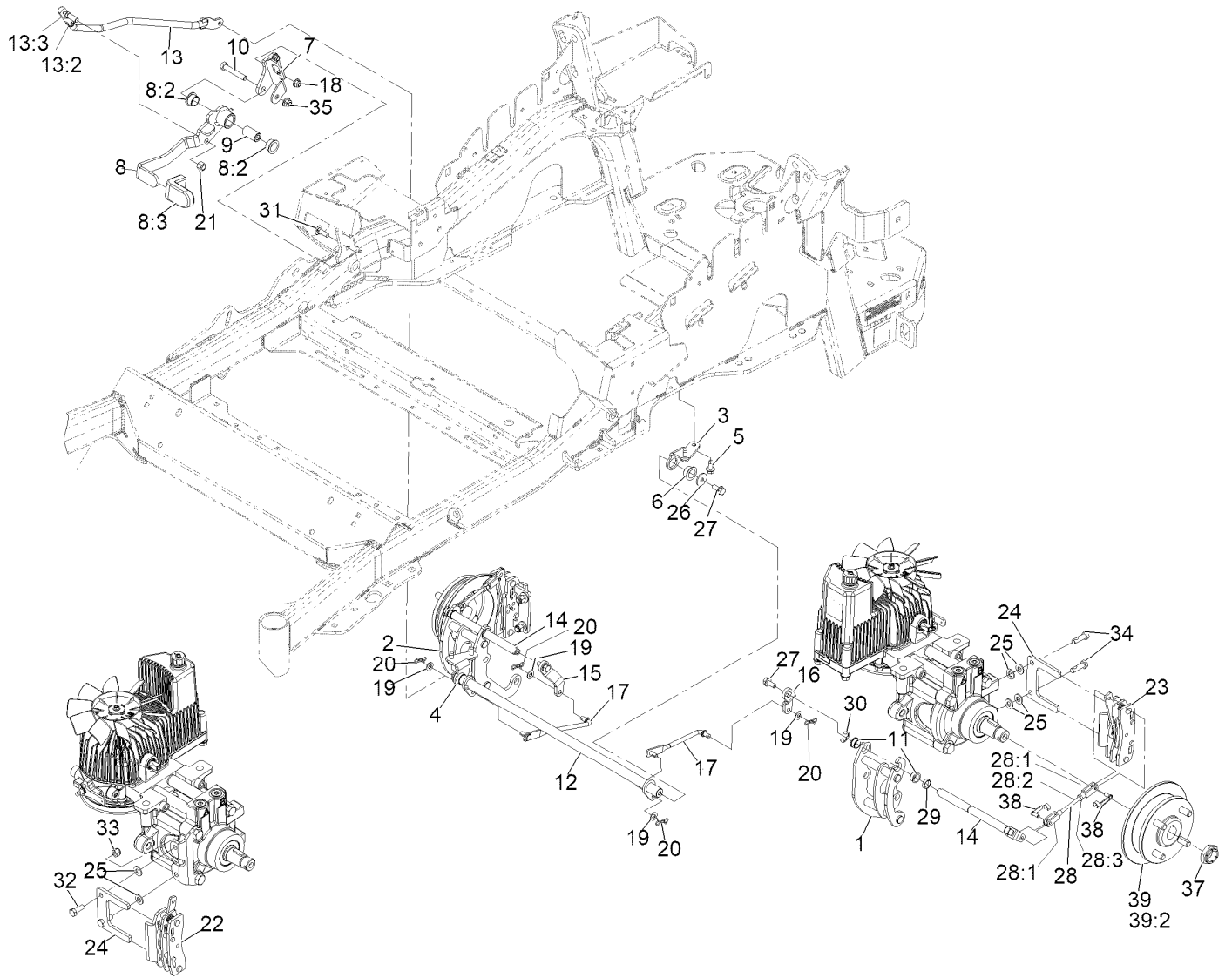
Rear Wheel Assembly



Rear Wheel Assembly (continued)

<i>Ref.</i>	<i>Part Number</i>	<i>Qty.</i>	<i>Description</i>	<i>Ref.</i>	<i>Part Number</i>	<i>Qty.</i>	<i>Description</i>
1	163-3480	2	Wheel And Tire ASM	2	139-2564	8	Nut-Lug
1:1	163-3485	1	Wheel	3	126-2055	2	Decal-Torque, Wheel Hub Lug
1:2	146-0590	1	Tire-24X12-12				
1:3	232-27	1	Stem-Valve				

Park Brake Assembly



REAR VIEW OF
RIGHT HAND HYDRO

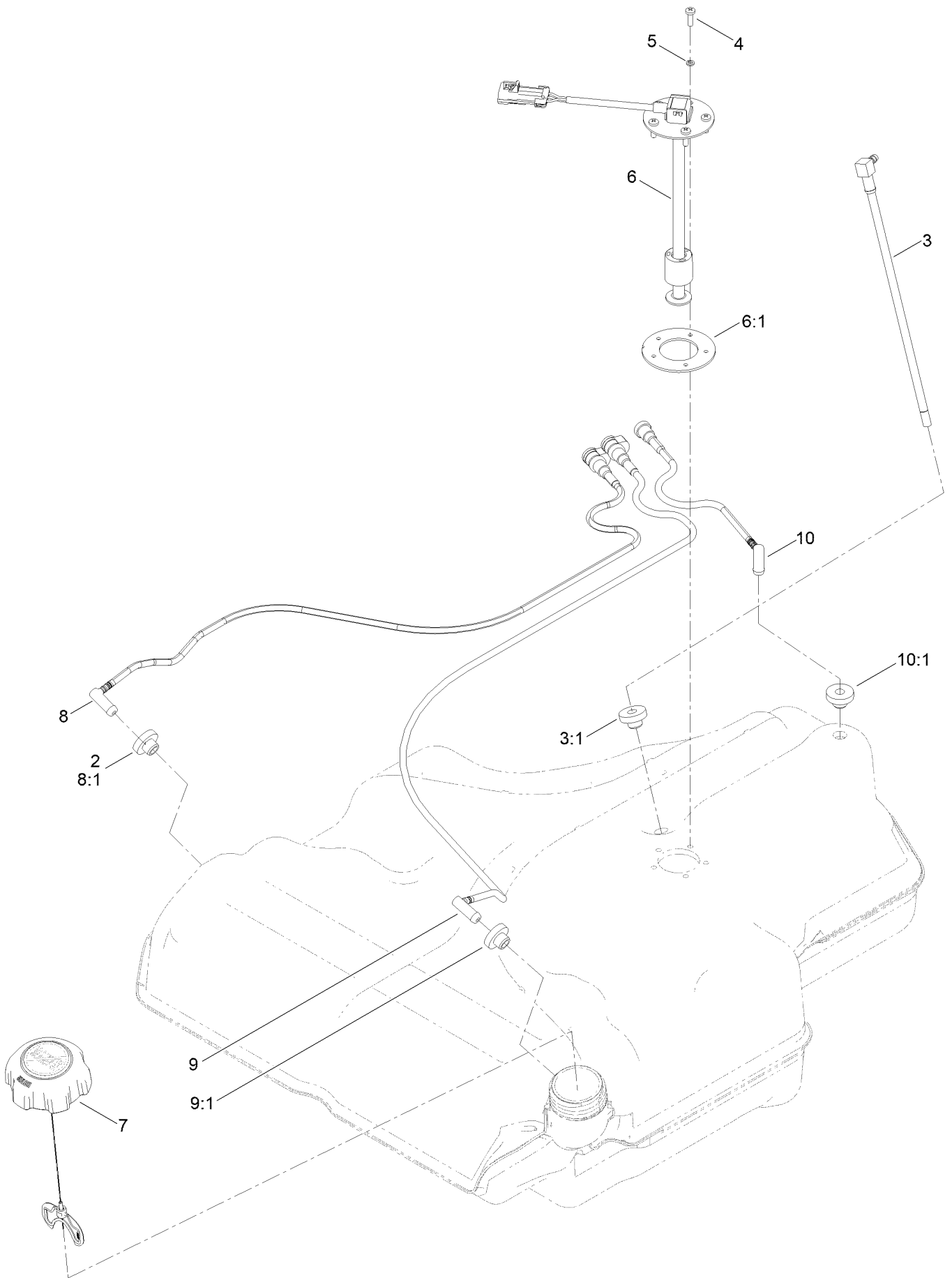
Park Brake Assembly (continued)

<i>Ref.</i>	<i>Part Number</i>	<i>Qty.</i>	<i>Description</i>	<i>Ref.</i>	<i>Part Number</i>	<i>Qty.</i>	<i>Description</i>
1	126-4248	1	Mount-Bellcrank, LH	20	119-1415	4	Pin-Cotter, Locking
2	126-4249	1	Mount-Bellcrank, RH	21	3296-6	1	Nut-Nyloc 3/8-24
3	116-9681	1	Mount-Pivot, LH	22	135-7440	1	Caliper-Brake, RH
4	116-9682	1	Mount-Pivot, RH	23	135-7441	1	Caliper-Brake, LH
5	32144-70	4	Screw-HWH 5/16-18 X 3/4 Tf	24	135-7828	2	Plate-Mount, Brake
6	109-8054	2	Bushing-Flanged	25	3256-24	6	Washer-3/8 SAE
7	116-9096-01	1	Bracket-Mount	26	115-7109	2	Washer-Flat
8	135-7565	1	Brake Lever ASM	27	98-9940	4	Screw-HHF
8:2	109-8054	2	Bushing-Flanged	28	126-7587	2	Rear Linkage ASM
8:3	132-4749	1	Grip-Lever	28:1	126-7588	2	Yoke
9	116-9117	1	Pivot-Handle, Brake	28:2	116-9069	1	Linkage, Rear
10	323-11	1	Screw-HH 3/8-16 X 2 1/4	28:3	3220-1	1	Nut-Jam 1/4-28
11	126-6199	4	Bushing	29	126-6200	2	Spacer
12	135-7800	1	Shaft-Cross	30	32120-19	2	E-Ring
13	135-7805	1	ASM, Front Linkage	31	3230-2	2	Bolt-Carriage 5/16-18 X 1
13:2	94-7572	1	End-Tie Rod, RH	32	135-7915	2	Screw-HH,
13:3	3220-3	1	Nut-Jam 3/8-24	33	112-0236	2	Nut-Lock
14	126-4251	2	Bellcrank	34	135-7890	2	Screw-HH, Patch
15	126-3716	1	Arm-Inner, RH	35	119-4042	1	Nut-HF, NI
16	126-3715	1	Arm-Inner, LH	37	116-1399	2	Locknut
17	142-6328	2	Mid-Link, Short	38	126-6395	4	Pin-Clevis, Spring
18	119-4041	2	Nut-HF	39	142-2701	2	Wheel Hub ASM
19	3256-23	4	Washer-5/16 SAE	39:2	116-1696	4	Stud-Wheel

Fuel System Assembly (continued)

<i>Ref.</i>	<i>Part Number</i>	<i>Qty.</i>	<i>Description</i>	<i>Ref.</i>	<i>Part Number</i>	<i>Qty.</i>	<i>Description</i>
1	135-0643	1	Fuel Tank ASM	9	116-6005	1	Retainer-Line, Vapor
2	3218-1	2	Nut-Jam	11	126-0224	1	Insulation-Foam, Fuel Tank
3	1-523420	2	Bumper	12	126-0032-01	1	Guard-Exhaust
5	127-0583	1	Fuel Manifold Vent ASM	13	125-8067	1	Plug-Plastic
5:2	109-0302	3	Hose-Fuel	14	32180-118	1	Clip-Tie
5:3	108-5376	1	Hose-Fuel	15	2412-98	2	Clamp-Hose
6	135-5678	1	Barb-Fuel	16	109-0650	1	Hose-Fuel
7	119-6074	1	Hose-Fuel	17	1-603770	1	Valve-Fuel
8	105-1853	1	Clamp-Hose				

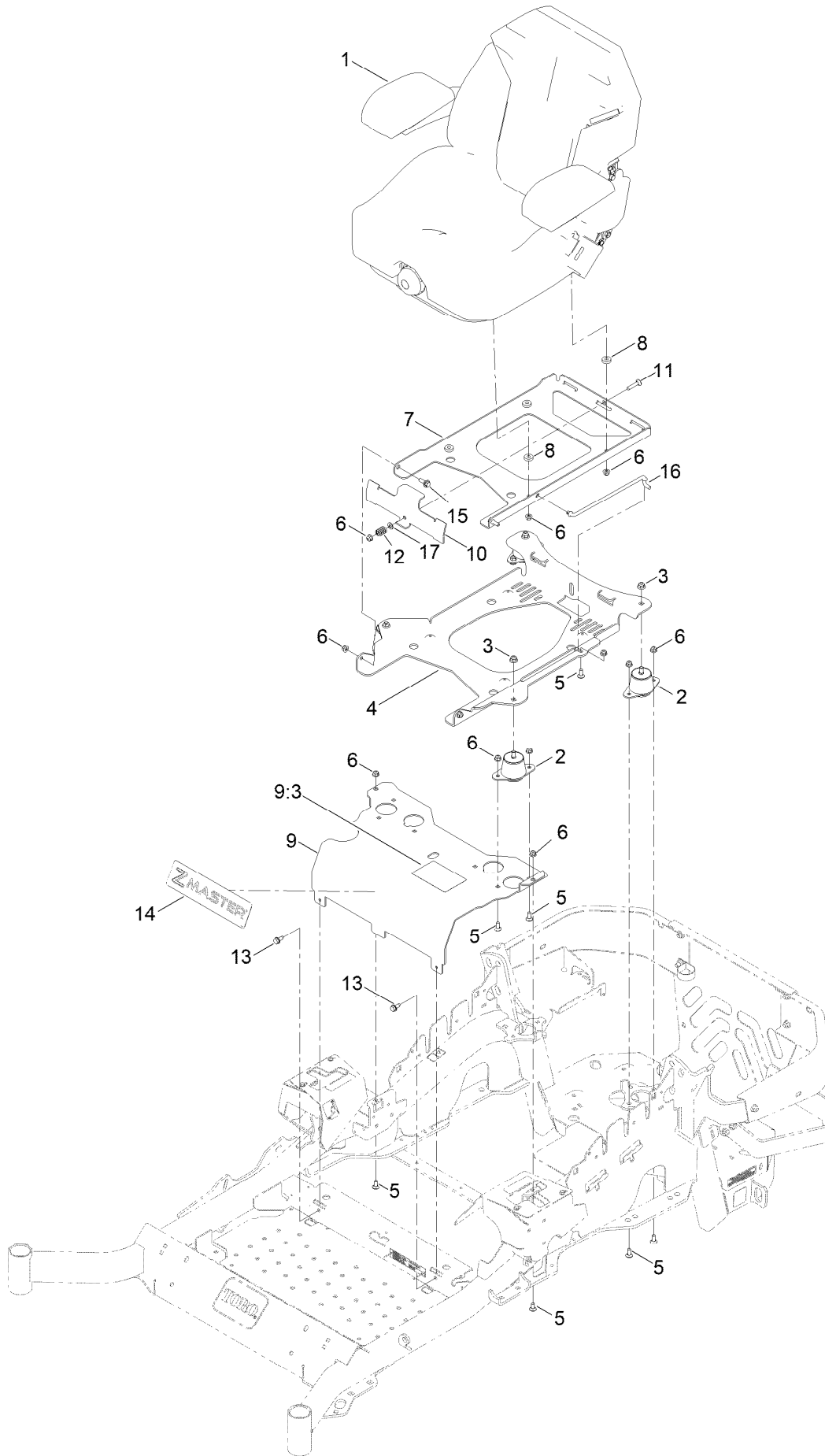
Fuel Tank Assembly No. 135-0643



Fuel Tank Assembly No. 135-0643 (continued)

<i>Ref.</i>	<i>Part Number</i>	<i>Qty.</i>	<i>Description</i>	<i>Ref.</i>	<i>Part Number</i>	<i>Qty.</i>	<i>Description</i>
2	46-6560	4	Bushing	8	116-2460	1	RH Vent Line Kit (With Grommet)
3	116-2459	1	Fuel Line Kit (With Grommet)	8:1	46-6560	1	Bushing
3:1	46-6560	1	Bushing	9	116-2461	1	LH Vent Line Kit (With Grommet)
4	3290-500	5	Screw-PPH	9:1	46-6560	1	Bushing
5	3253-17	5	Washer-Lock	10	116-2462	1	Rear Vent Line Kit (With Grommet)
6	126-3913	1	Float-Sender, Fuel	10:1	46-6560	1	Bushing
6:1	126-3950	1	Gasket-Sender				
7	137-4127	1	Cap-Fuel				

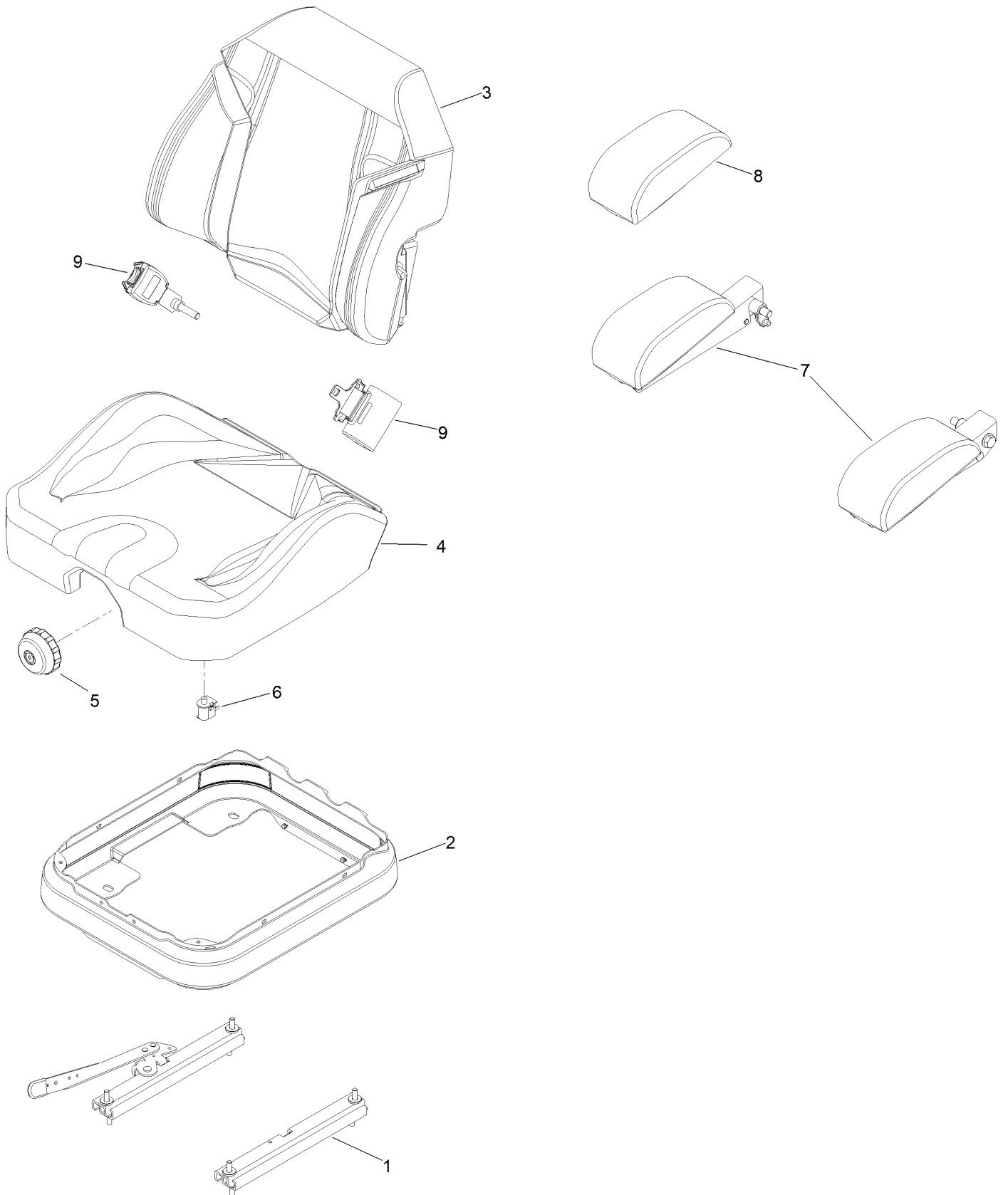
Seat Mounting Assembly



Seat Mounting Assembly (continued)

<i>Ref.</i>	<i>Part Number</i>	<i>Qty.</i>	<i>Description</i>	<i>Ref.</i>	<i>Part Number</i>	<i>Qty.</i>	<i>Description</i>
1	147-4984	1	Seat-Suspension	9:3	125-9383	1	Decal-Service Aid
2	109-9034	4	Isolator-Seat	10	109-9881-03	1	Plate-Latch, Seat
3	119-4042	4	Nut-HF, NI	11	3230-4	1	Screw-CARR
4	116-3860-03	1	Plate-Tilt, Seat Support	12	107-3017	1	Spring-Compression
5	137-3061	11	Bolt-CARR	13	32144-70	2	Screw-HWHTF
6	119-4041	18	Nut-HF	14	140-1215	1	Decal-Console
7	116-3859-03	1	Plate-Frame, Seat	15	116-1297	2	Screw-Shoulder
8	26-4840	4	Spacer-Pin, Mounting	16	116-0070	1	Rod-Prop
9	125-9385	1	Seat Mount ASM	17	3256-23	1	Washer-Plain

Seat Assembly No. 147-4984

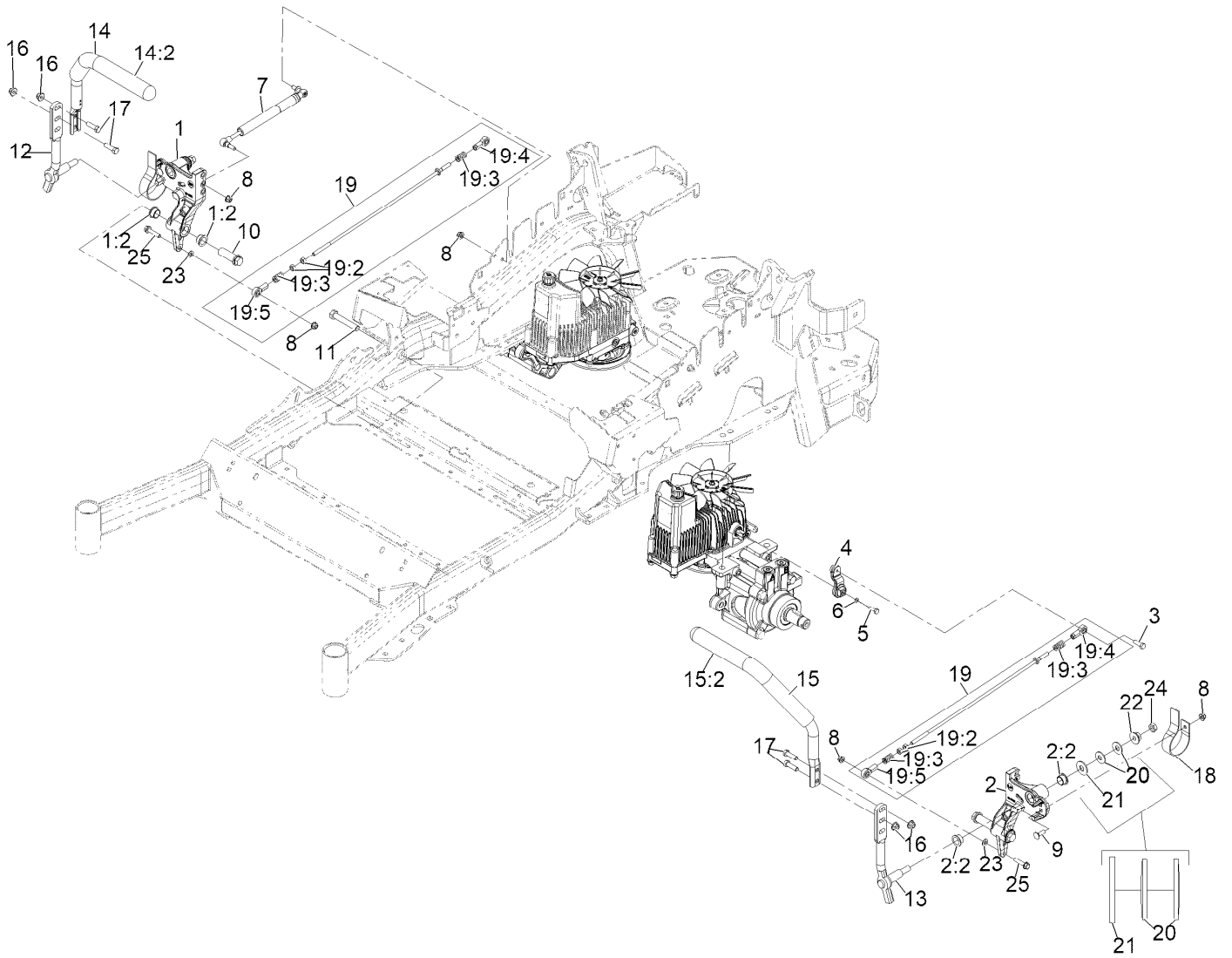


Seat Assembly No. 147-4984 (continued)

<i>Ref.</i>	<i>Part Number</i>	<i>Qty.</i>	<i>Description</i>
1	140-8012	1	Seat Track Set
2	116-5659	1	Cover-Suspension Bellows
3	140-8004	1	Cover-Back
4	140-8005	1	Cover-Cushion
5	116-8911	1	Knob-Adjuster

<i>Ref.</i>	<i>Part Number</i>	<i>Qty.</i>	<i>Description</i>
6	82-2190	1	Switch-Bail
7	147-4985	1	Armrest Kit
8	109-9802	1	Arm Rest Pad Set
9	126-2061	1	Seat Belt Service Kit

Motion Control Assembly

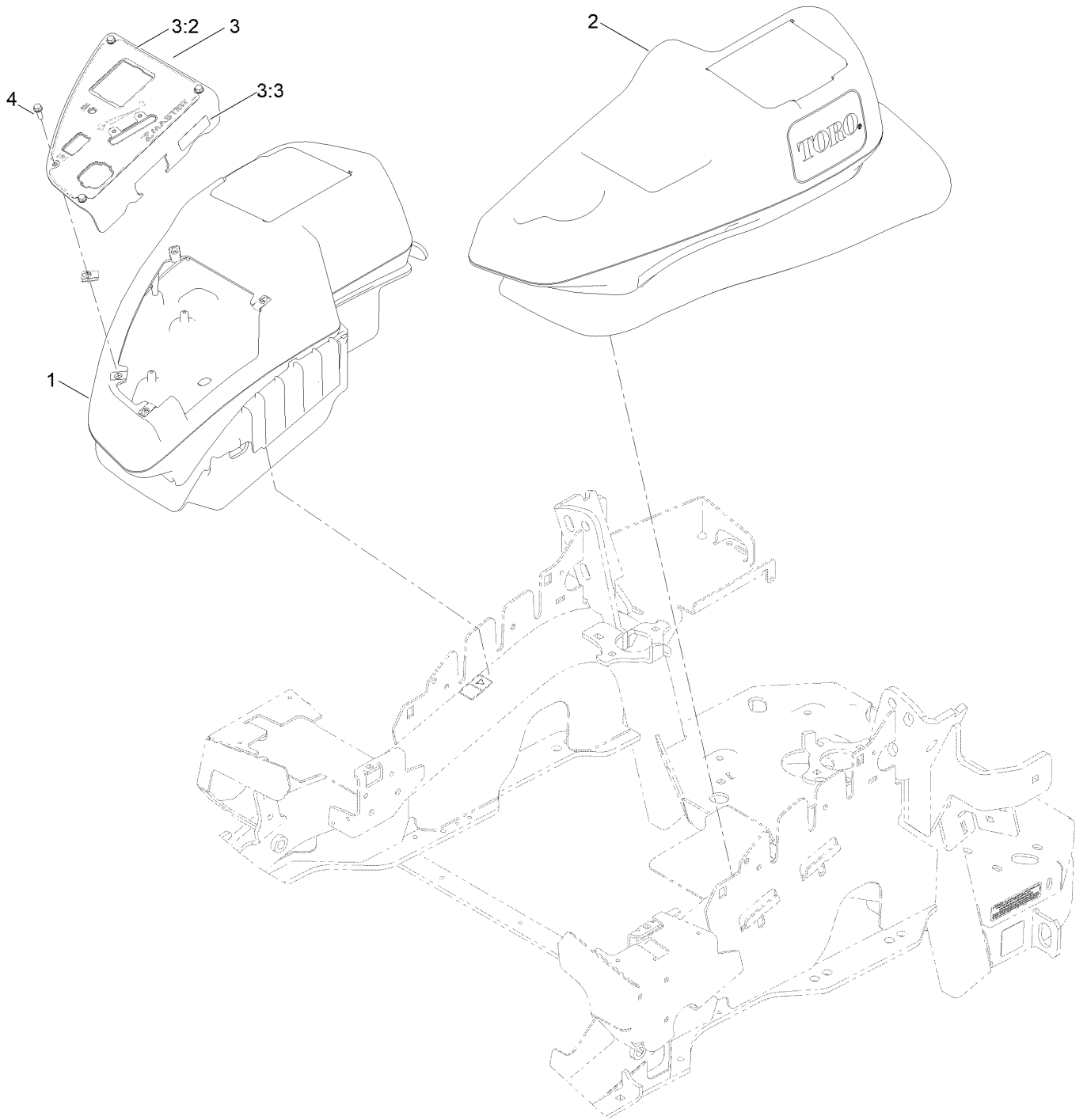


Motion Control Assembly (continued)

<i>Ref.</i>	<i>Part Number</i>	<i>Qty.</i>	<i>Description</i>	<i>Ref.</i>	<i>Part Number</i>	<i>Qty.</i>	<i>Description</i>
1	116-0880	1	RH Motion Control And Bushing ASM	14:2	109-5668	1	Grip-Lever, Control
1:2	109-8054	4	Bushing-Flanged	15	135-4373	1	LH Handle ASM
2	116-0881	1	LH Motion Control And Bushing ASM	15:2	109-5668	1	Grip-Lever, Control
2:2	109-8054	4	Bushing-Flanged	16	119-4042	4	Nut-HF, NI
3	116-0648	2	Screw-HH 5/16-18 X 1 W/Patch ●	17	323-7	4	Screw-HH 3/8-16 X 1 1/4
4	109-4581	2	Arm-Control, Pump	18	109-5575	2	Spring-Leaf
5	9080046	2	Screw-HH 1/4-20 X 7/8 ●	19	109-8106	2	Front Pump Linkage ASM
6	1-303435	2	Washer-Spring Disc 1/4	19:2	3219-2	2	Nut-Hex 5/16-24
7	146-0859	2	Damper, Motion Control	19:3	1-323245	2	Spring-Compression
8	119-4041	8	Nut-HF	19:4	1-633152	1	Balljoint
9	3230-2	2	Bolt-Carriage 5/16-18 X 1	19:5	1-543017	1	Balljoint
10	109-5891	2	Hub-Threaded	20	109-9505	4	Washer, Spring Disc 1/2
11	325-12	2	Screw-HH 1/2-13 X 3	21	3256-6	2	Washer
12	116-0039	1	Lever-Control Motion, RH	22	32128-56	2	Nut-Hex 1/2-13 Flange
13	116-0040	1	Lever-Control Motion, LH	23	3256-23	2	Washer-5/16 SAE
14	135-4371	1	RH Handle ASM	24	3218-5	2	Nut-Jam 1/2-13
				25	115-1794	2	Screw-Hex Flange 5/16-18 X 1 1/2

● Use Pro-Lock, Nut Type (P/N 1-840022, .5ml tube) on threads.

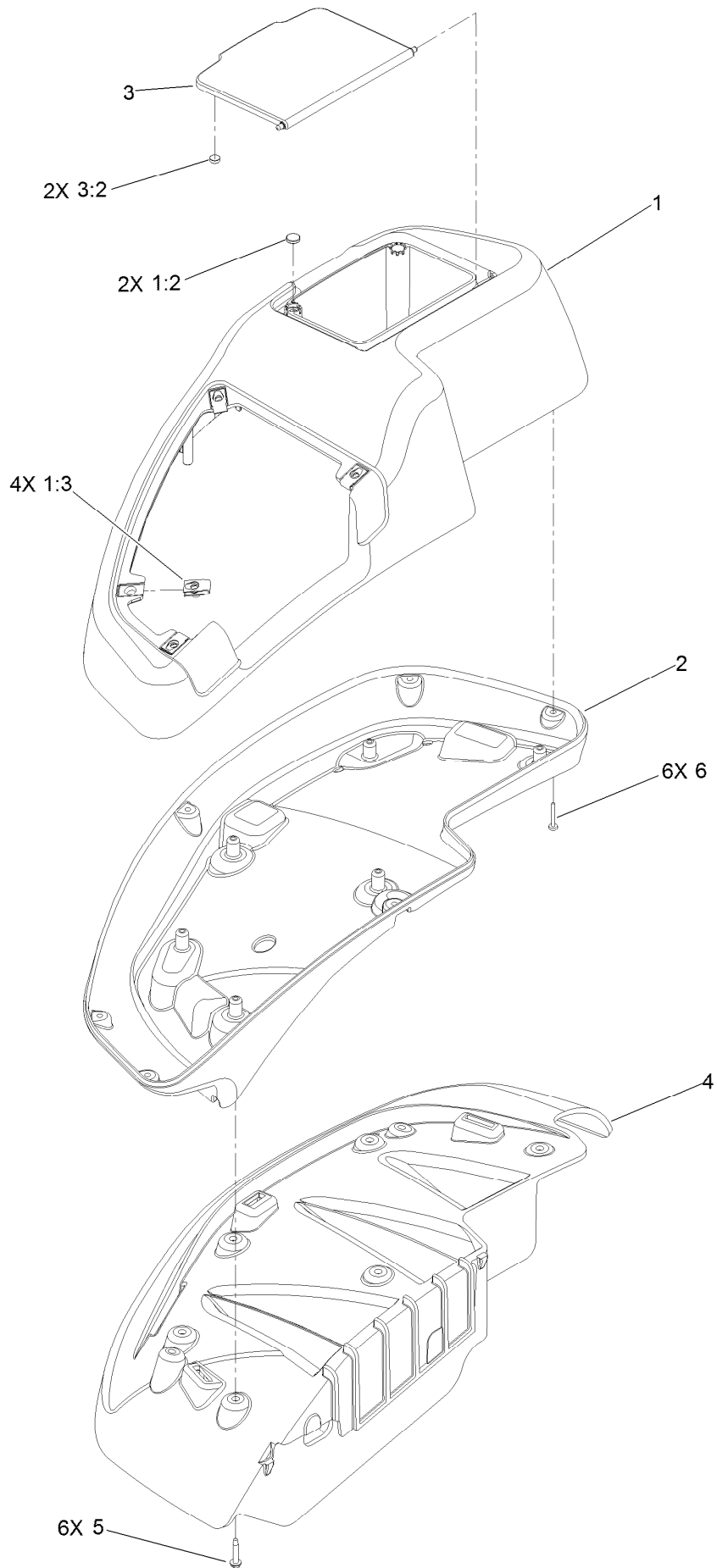
Console Assembly



Console Assembly (continued)

<i>Ref.</i>	<i>Part Number</i>	<i>Qty.</i>	<i>Description</i>	<i>Ref.</i>	<i>Part Number</i>	<i>Qty.</i>	<i>Description</i>
1	115-7400	1	RH Console ASM	3:2	161-9922	1	Decal-Control Panel
2	115-7401	1	LH Console ASM	3:3	114-4466	1	Decal-Fuses
3	163-4055	1	Control Panel W/ Decal ASM	4	32105-15	4	Screw-HWH

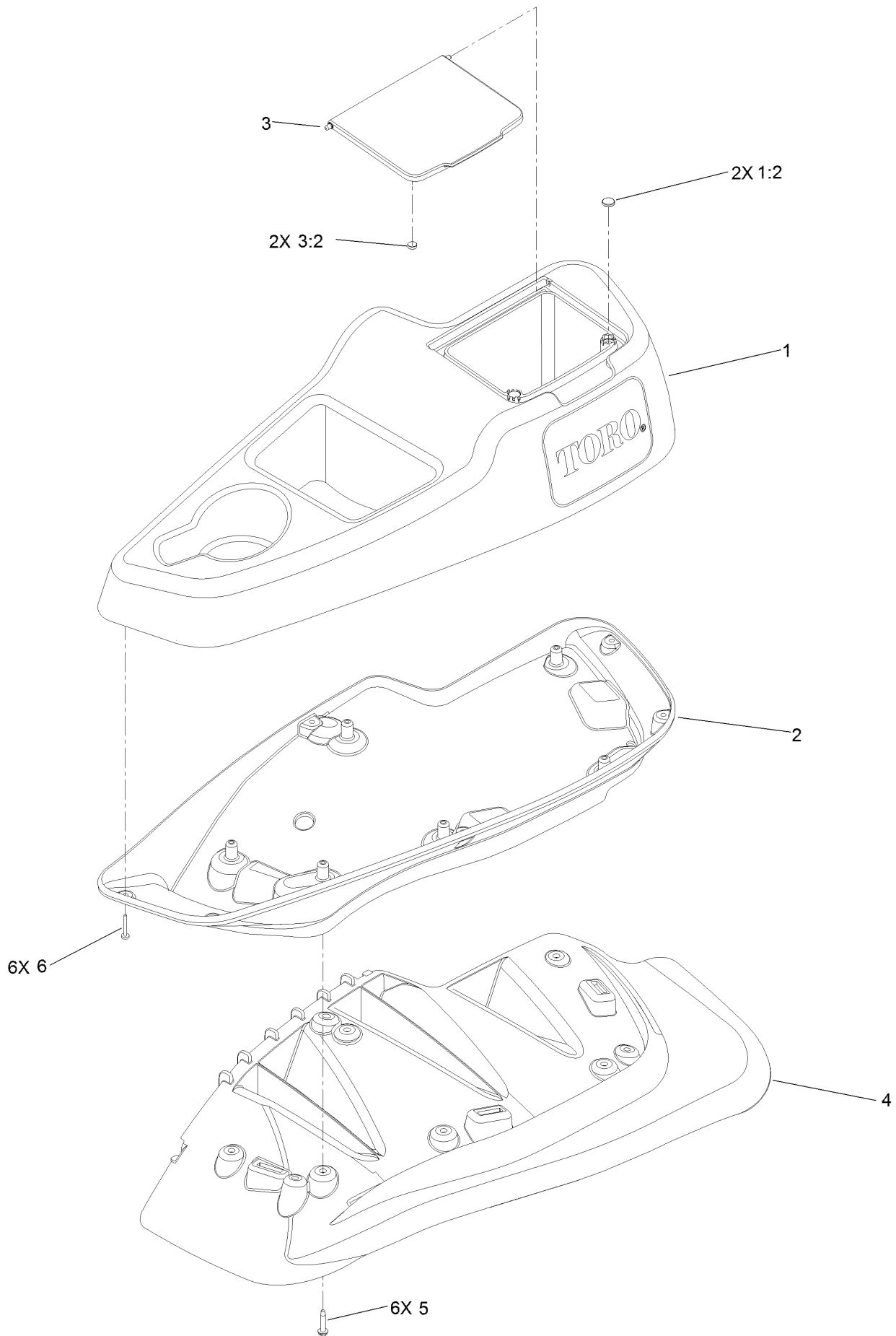
RH Console Assembly No. 115-7400



RH Console Assembly No. 115-7400 (continued)

<i>Ref.</i>	<i>Part Number</i>	<i>Qty.</i>	<i>Description</i>	<i>Ref.</i>	<i>Part Number</i>	<i>Qty.</i>	<i>Description</i>
1	114-1538	1	RH Wide Top Console ASM	3:2	114-5896	2	Magnet
1:2	117-0883	2	Puck	4	109-9083	1	Fender-Wide, RH
1:3	107069	4	Clip	5	32144-89	6	Screw-Thread Forming
2	115-3643	1	Console-Lower, RH Wide	6	117-0347	6	Screw-PPH
3	114-1537	1	Wide Lid ASM				

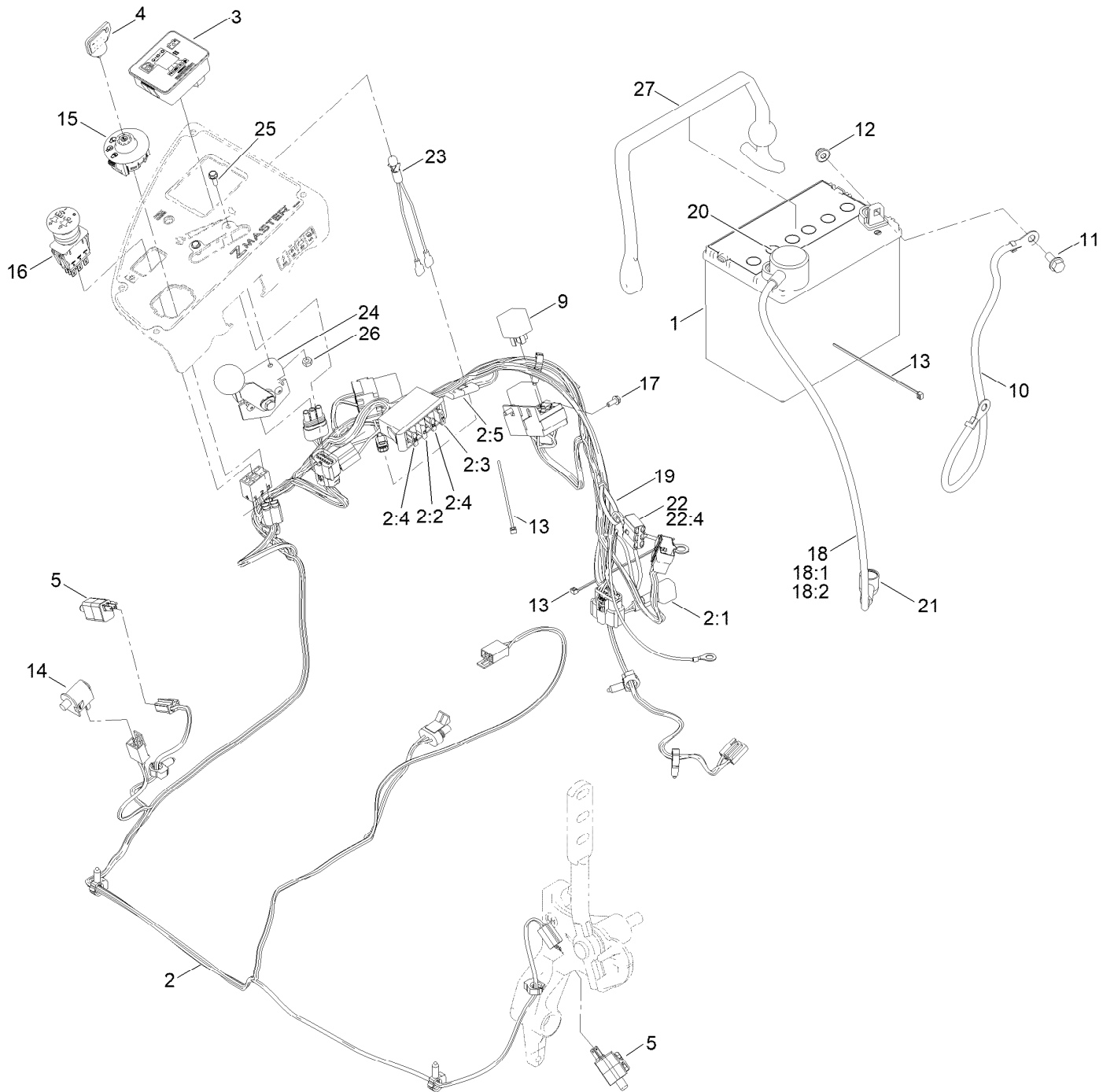
LH Console Assembly No. 115-7401



LH Console Assembly No. 115-7401 (continued)

<i>Ref.</i>	<i>Part Number</i>	<i>Qty.</i>	<i>Description</i>	<i>Ref.</i>	<i>Part Number</i>	<i>Qty.</i>	<i>Description</i>
1	114-1539	1	LH Wide Console Top ASM	3:2	114-5896	2	Magnet
1:2	117-0883	2	Puck	4	109-9085	1	Fender-Wide, LH
2	115-3641	1	Console-Lower, LH Wide	5	32144-89	6	Screw-Thread Forming
3	114-1537	1	Wide Lid ASM	6	117-0347	6	Screw-PPH

Electrical Assembly



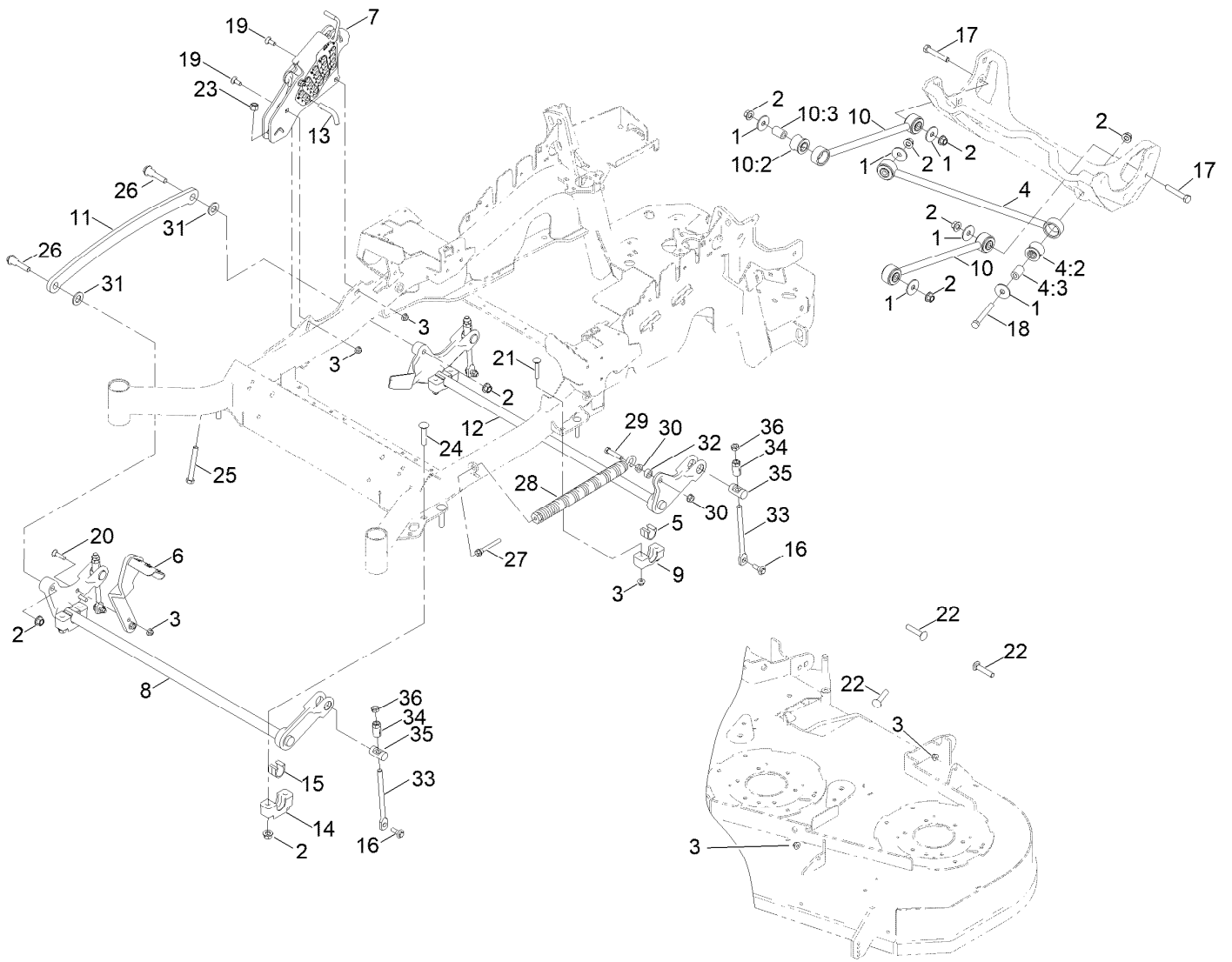
Electrical Assembly (continued)

<i>Ref.</i>	<i>Part Number</i>	<i>Qty.</i>	<i>Description</i>	<i>Ref.</i>	<i>Part Number</i>	<i>Qty.</i>	<i>Description</i>
1	104-8162	1	Battery	14	82-2190	1	Switch-Bail
2	146-6686	1	Harness-Main ■	15	137-4100	1	Switch-Ignition
2:1	103-3895	1	Diode	16	135-3653	1	Switch, PTO 10A
2:2	218-578	1	Fuse-Blade, 10 Amp	17	32144-112	2	Screw-HWH
2:3	109355	1	Fuse-Blade, 15 Amp	18	115-3864	1	Cable-Battery, Positive
2:4	109102	2	Fuse-Blade, 25 Amp	18:1	1-543393	1	Insulator-Solenoid
2:5	116-0053	1	Cap-Plug	18:2	109-2407	1	Insulator-Battery
2:6	1-303287	1	Tie-Cable ●	19	3290-378	1	Tie-Cable
3	146-6268	1	Fuel/Hour Meter ASM	20	109-2407	1	Insulator-Battery
4	1-603511	1	Keys-Ignition (Spare Pair)	21	1-543393	1	Insulator-Solenoid
4	63-8360	1	Key-Ignition	22	146-4787	1	Harness-Adapter EFI, Etc
5	110-6765	2	Switch	22:4	1-643275	1	Relay
9	1-643275	2	Relay	23	1-643267	1	Indicator-LED, Red
10	114-1218	1	Cable-Battery, Negative	24	146-1950	1	Throttle Controller-Etc
11	3234-5	2	Screw-HHF	25	137-3030	2	Screw-HWH
12	119-4041	2	Nut-HF	26	3296-2	2	Nut-Lock, NI
13	1-303287	3	Tie-Cable	27	146-4467	1	Strap-Bungee

● Not illustrated

■ Use dielectric grease on all unsealed connectors and terminals only. Do not apply in sealed connectors.

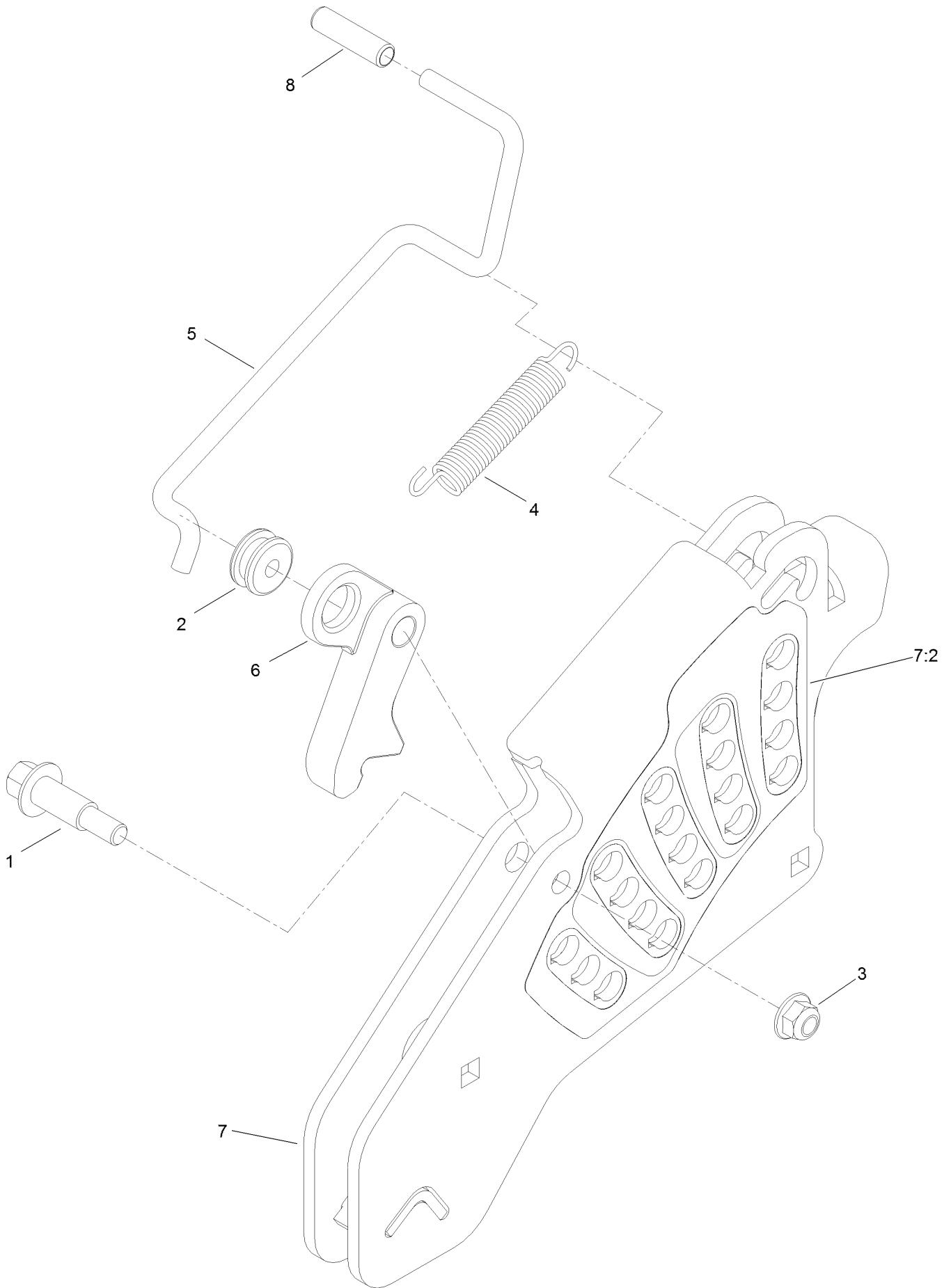
Deck Lift Assembly



Deck Lift Assembly (continued)

<i>Ref.</i>	<i>Part Number</i>	<i>Qty.</i>	<i>Description</i>	<i>Ref.</i>	<i>Part Number</i>	<i>Qty.</i>	<i>Description</i>
1	86-1990	6	Washer	15	109-9410	2	Bearing-Cross Shaft, Front
2	139-1689	12	Nut-HF	16	109-9840	4	Screw-Shoulder, HHF
3	119-4042	12	Nut-HF, NI	17	325-12	2	Screw-HH
4	109-5013	1	Panhard Rod ASM	18	325-17	1	Screw-HH
4:2	109-5009	2	Bushing-Suspension, Rubber	19	3231-2	2	Bolt-CARR
4:3	109-5010	2	Spacer	20	3231-4	2	Screw-CARR
5	109-7173	2	Bearing-Cross Shaft, Rear	21	3231-7	4	Screw-CARR
6	116-1919-01	1	Lever-Foot	22	3233-34	3	Screw-CARR
7	109-7438	1	HOC ASM	23	3296-23	1	Nut-Lock, NI
8	126-2477-03	1	Decklift-Front	24	116-1700	4	Bolt-CARR
9	127-0553	2	Support-Bearing, Cross Shaft (Rear)	25	116-0559	1	Bolt-TAP
10	109-7952	2	Deck Strut ASM	26	116-2022	2	Screw-HHF, Shoulder
10:2	109-5009	2	Bushing-Suspension, Rubber	27	92-7674	1	Bolt-Shoulder
10:3	109-5010	2	Spacer	28	116-0000	1	Spring-Extension
11	116-0797-03	1	Link-Lift, Deck	29	109-9065	1	Screw-HH
12	116-2645-03	1	Lift-Deck, Rear	30	32128-37	2	Nut-HF
13	116-5584	1	Pin-HOC	31	3256-28	2	Washer-Flat
14	109-9409	2	Support-Bearing, Cross Shaft (Front)	32	116-2695	1	Spacer
				33	109-8007	4	Link-Adjuster, Deck Lift
				34	109-7840	4	Adjuster-Lift, Deck
				35	109-8353	4	Trunnion
				36	3218-5	4	Nut-Jam

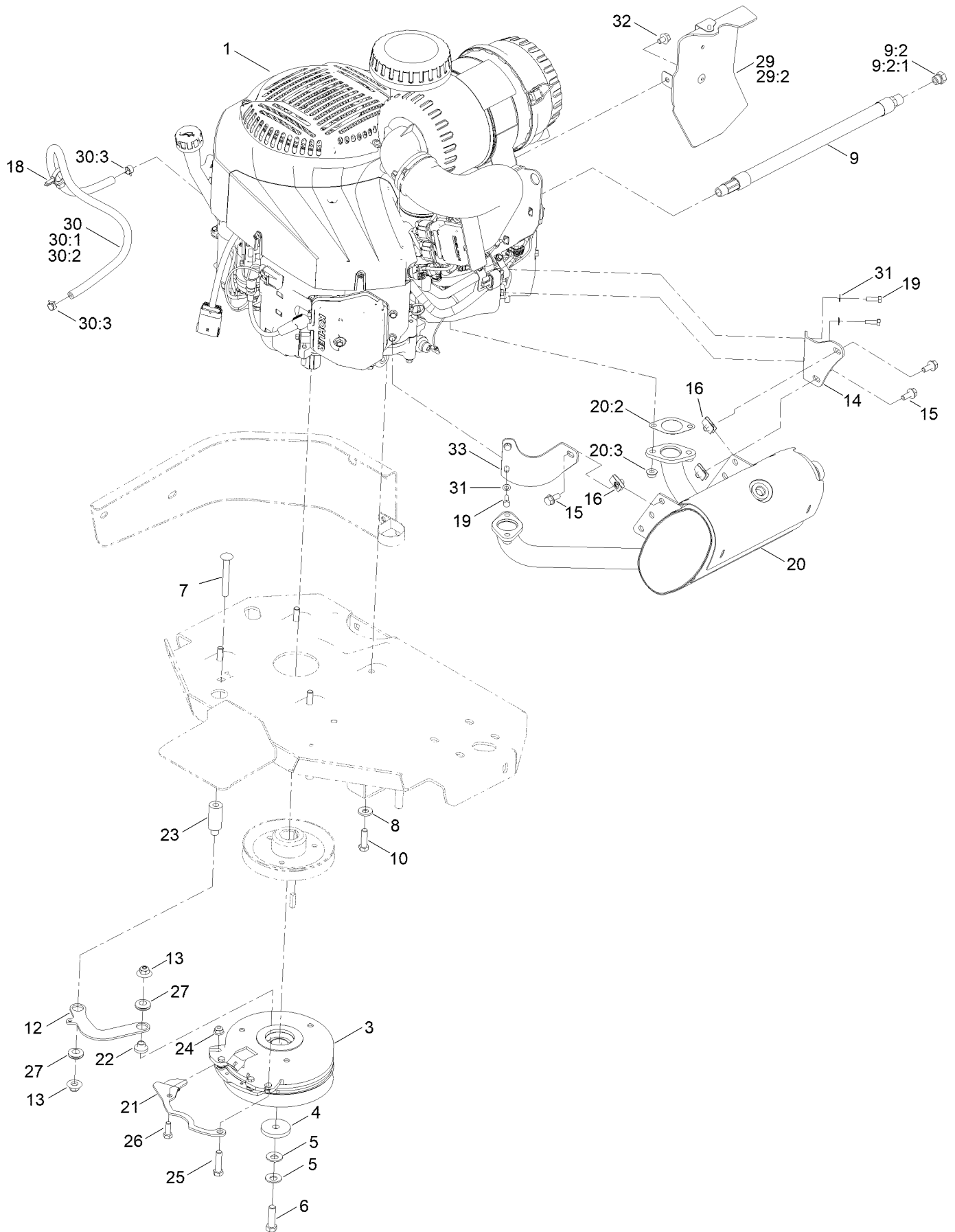
Height-of-Cut Assembly No. 109-7438



Height-of-Cut Assembly No. 109-7438 (continued)

<i>Ref.</i>	<i>Part Number</i>	<i>Qty.</i>	<i>Description</i>	<i>Ref.</i>	<i>Part Number</i>	<i>Qty.</i>	<i>Description</i>
1	62-1330	1	Bolt-Shoulder	6	116-0118	1	Pawl-Transport, HOC
2	109-7130	1	Grommet	7	109-7335	1	HOC Plate ASM
3	119-4042	1	Nut-HF, NI	7:2	126-4398	1	Decal-HOC
4	109-7124	1	Spring-Extension	8	109-8250	1	Grip-Lever
5	109-7128	1	Rod-Lock, Transport				

Engine and Muffler Assembly



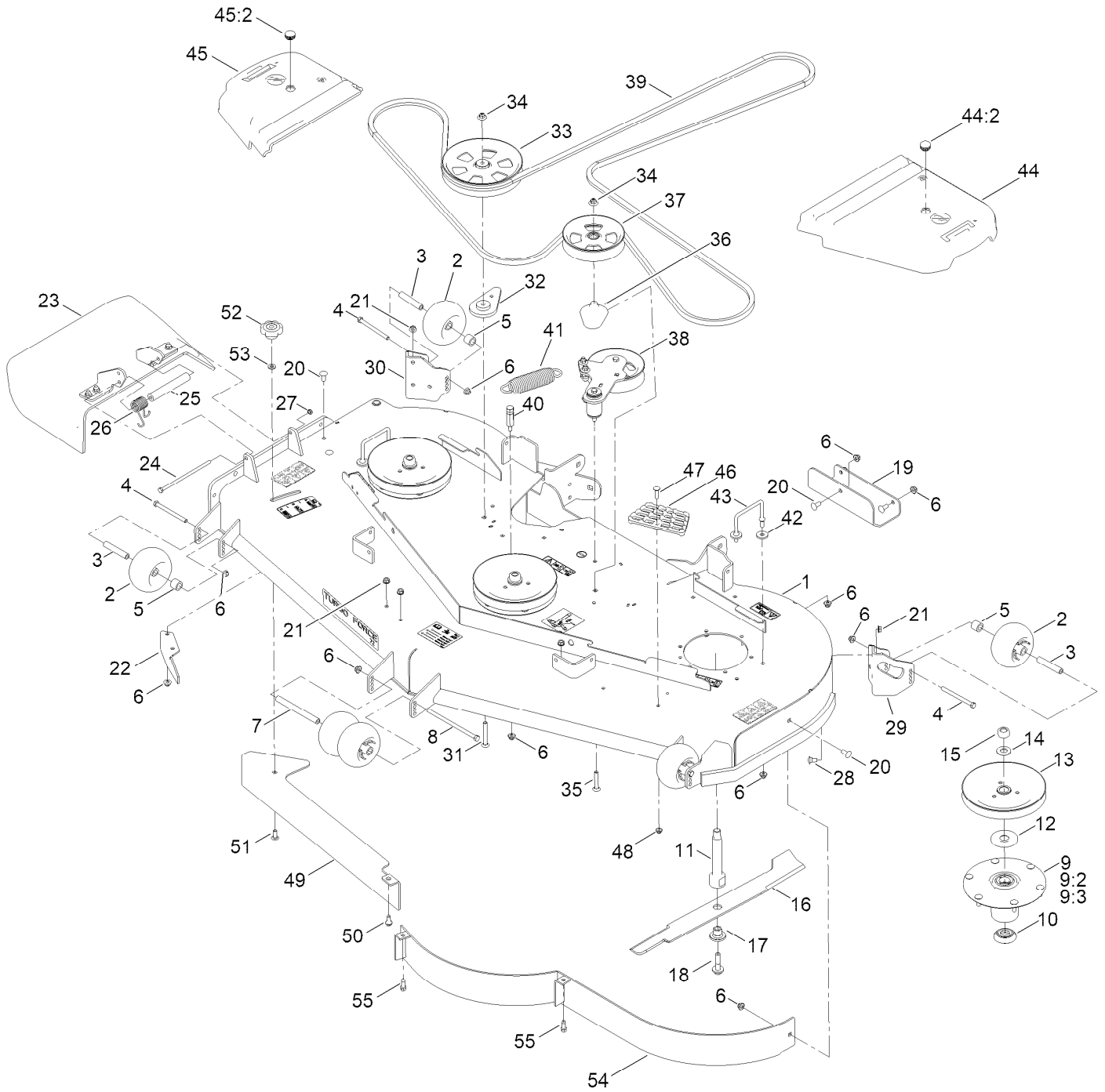
Engine and Muffler Assembly (continued)

<i>Ref.</i>	<i>Part Number</i>	<i>Qty.</i>	<i>Description</i>	<i>Ref.</i>	<i>Part Number</i>	<i>Qty.</i>	<i>Description</i>
1		1	Engine-Kohler Ecv938 3012 ■▲	20	126-5423	1	Muffler Kit
3	146-8506	1	Clutch Kit	20:2	126-0359	2	Gasket-Exhaust
4	109-6919	1	Washer-Plain	20:3	116-9626	4	Nut-Flange, Lock
5	1-603610	2	Washer-Spring	21	116-3331-01	1	Belt-Guide
6	109-9761	1	Screw-HH	22	116-3318	1	Spacer
7	3231-42	1	Screw-CARR	23	116-3319	1	Spacer
8	98-5975	4	Washer-Belleville	24	119-4041	1	Nut-HF
9	116-5316	1	Oil Drain Hose ASM	25	323-8	1	Screw-HH
9:2	353-508	1	Plug-HH ●	26	322-4	1	Screw-HH
9:2:1	237-42	1	O-Ring	27	93-5108	2	Grommet-Rubber
10	323-7	4	Screw-HH	29	135-7328	1	Baffle Kit
12	116-3317-01	1	Link-Anchor, Clutch	29:2	104-2628	1	Screw
13	109-6658	2	Nut-Flange, NI	29:2	68-9410	1	Screw-HHF
14	116-9048	1	Bracket-Muffler	30	126-0231	1	Fuel Line ASM
15	3234-5	3	Screw-HHF	30:1	109-0284	1	Hose-Fuel
16	94-2413	3	Nut-U	30:2	126-0232	1	Sleeve-Thermal
18	105-1853	1	Clamp-Hose	30:3	2412-98	2	Clamp-Hose
19	116-4295	4	Screw-HH	31	1-303435	4	Washer-Spring
20	126-4645	1	Muffler	32	68-9410	1	Screw-HHF
				33	126-5620	1	Bracket-Muffler, Front

● Torque to 24-26 ft-lb
▲ Obtain parts from www.kohlerplus.com

■ Not serviced separately

Deck Assembly

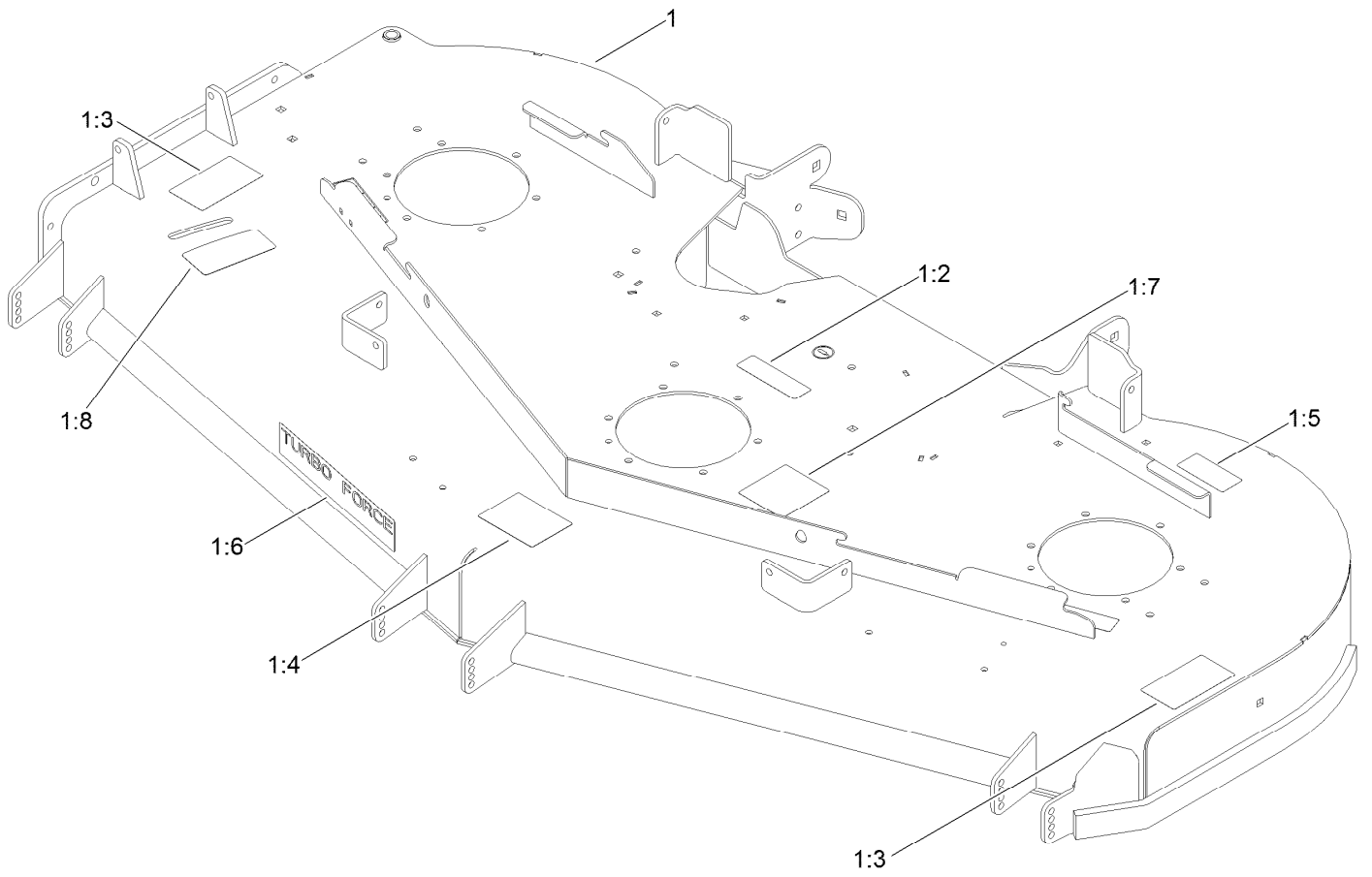


Deck Assembly (continued)

<i>Ref.</i>	<i>Part Number</i>	<i>Qty.</i>	<i>Description</i>	<i>Ref.</i>	<i>Part Number</i>	<i>Qty.</i>	<i>Description</i>
1	140-1170	1	Deck Decal ASM	29	106-7354-01	1	Mount-Wheel, LH
2	1-603299	6	Roller-Scalp, Anti	30	106-7355-01	1	Mount-Wheel, RH
3	98-7912	4	Tube-Spanner	31	3231-42	1	Screw-CARR
4	323-23	4	Screw-HH	32	109-9416	1	Spacer-Idler
5	98-7913	4	Tube-Spacer	33	132-4734	1	Pulley-Idler,Flat
6	119-4042	34	Nut-HF, NI	34	109-6658	2	Nut-Flange, NI
7	98-5967	1	Spacer-Wheel	35	3231-40	1	Bolt-CARR
8	108-5388	1	Screw-HH	36	109-2872	1	Spacer-Pulley
9	137-9780	3	Spindle ASM	37	136-5404	1	Pulley-Idler, Flat
9:2	116-0720	2	Bearing-Ball	38		1	Idler Arm ASM ●
9:3	138-6042	1	Spacer-Bearing	39	109-9023	1	Belt-V
10	137-9784	3	Guard-Bottom	40	114-5867	1	Anchor-Spring, Tall
11	138-6045	3	Shaft-Spindle	41	116-6317	1	Spring-Extension
12	103-1330	3	Guard-Bearing, Top	42	1-373034	4	Washer
13	138-6060	3	Sheave-Drive, Blade	43	109-6982	2	Wireform-Cover
14	103-2802	3	Washer	44	117-7816	1	LH Belt Cover ASM
15	116-7306	3	Nut-Hex	44:2	117-3824	1	Plug-Plastic
16	140-1238	3	Blade	45	117-7815	1	RH Belt Cover ASM
17	137-9787	3	Bushing-Hex	45:2	117-3824	1	Plug-Plastic
18	109-9220	3	Screw-Sems	46	126-4781-03	1	Step-Deck
19	121-7975-01	1	Plate-Skid	47	3230-3	1	Screw-CARR
20	3231-27	6	Screw-CARR	48	119-4041	1	Nut-HF
21	3290-357	9	Nut-HSF	49	138-6051-01	1	Plate-Baffle
22	106-3216-01	1	Baffle-Discharge	50	94-7582	1	Bolt-Shoulder
23	108-2792	1	Rubber Deflector ASM	51	3231-22	1	Screw-CARR
24	322-50	1	Screw-HH	52	109-1092	1	Knob
25	105-4622	1	Spacer	53	100-4852	1	Washer-Hardened
26	108-4052	1	Spring-Torsion	54	114-5843-01	1	Baffle
27	3296-47	1	Nut-Lock,NI	55	92-1624	2	Screw-HWH Thd Form
28	3231-1	6	Screw-CARR				

● Not serviced separately

Deck Decal Assembly No. 140-1170

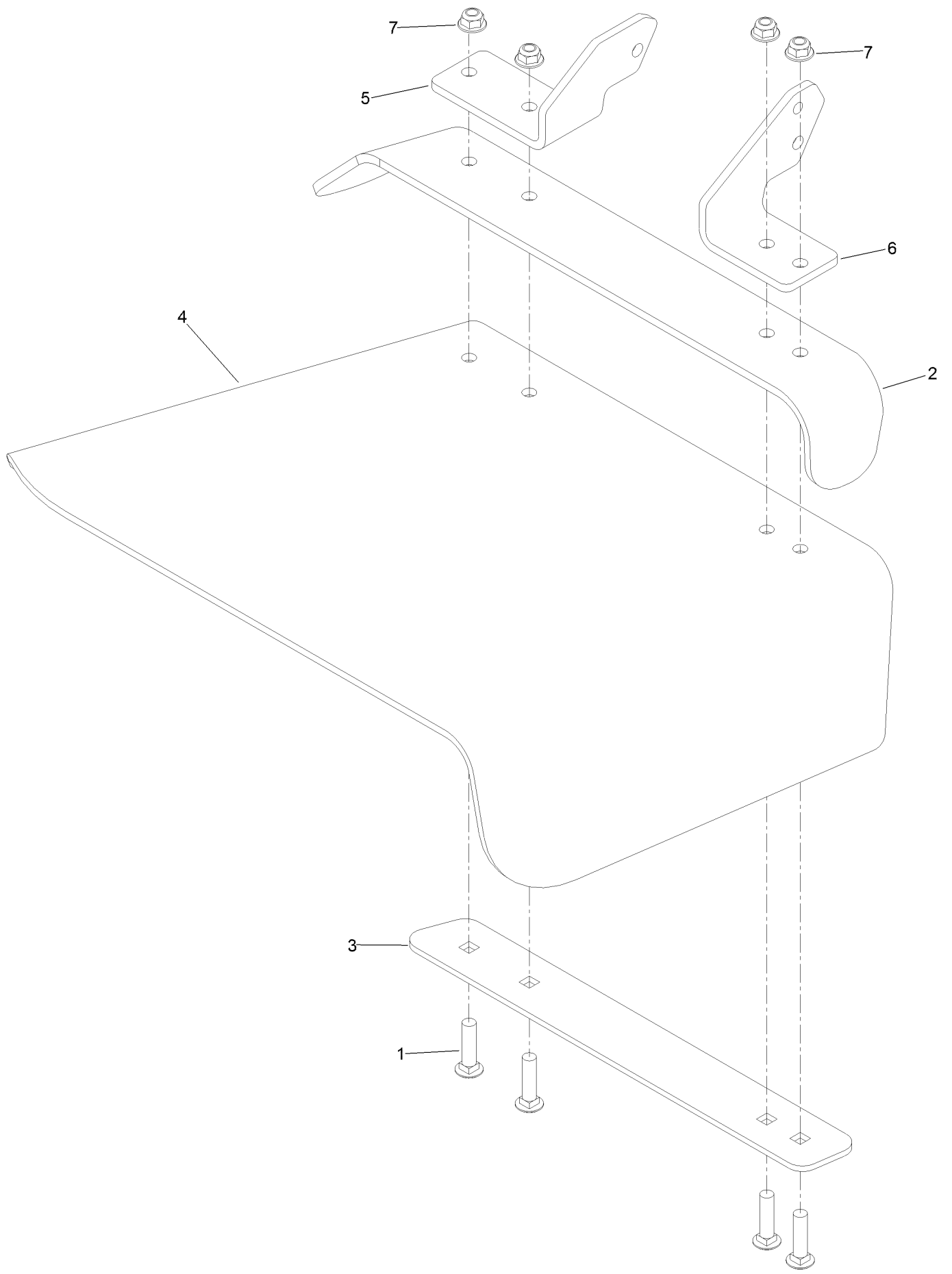


Deck Decal Assembly No. 140-1170 (continued)

<i>Ref.</i>	<i>Part Number</i>	<i>Qty.</i>	<i>Description</i>	<i>Ref.</i>	<i>Part Number</i>	<i>Qty.</i>	<i>Description</i>
1		1	Deck ASM ●	1:5	116-8283	1	Decal-Torque, Bolt
1:2	112-9028	3	Decal-Cover, Missing	1:6	107-1620	1	Decal
1:3	117-3848	2	Decal-Danger	1:7	136-5508	1	Decal-Routing, Deck Belt
1:4	127-0326	1	Decal-Scalp, Anti	1:8	131-1180	1	Decal-Adjustment, Baffle

● Not serviced separately

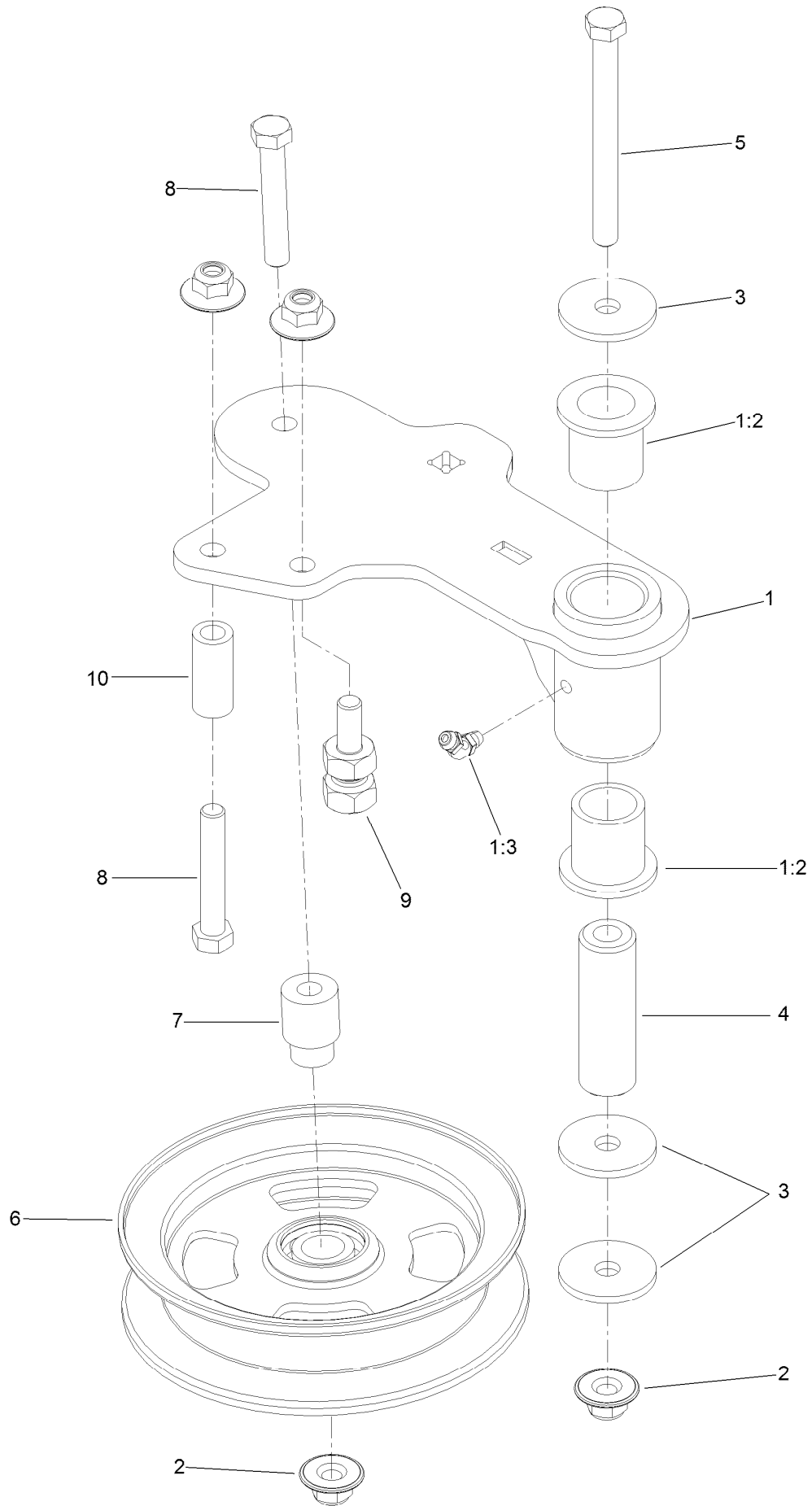
Rubber Deflector Assembly No. 108-2792



Rubber Deflector Assembly No. 108-2792 (continued)

<i>Ref.</i>	<i>Part Number</i>	<i>Qty.</i>	<i>Description</i>	<i>Ref.</i>	<i>Part Number</i>	<i>Qty.</i>	<i>Description</i>
1	3231-4	4	Screw-CARR	5	108-4059-01	1	Plate-Hinge, Rear
2	106-3246-01	1	Deflector	6	106-3253-01	1	Plate-Hinge, Front
3	106-3248-03	1	Strap-Discharge	7	119-4042	4	Nut-HF, NI
4	108-5029	1	Deflector-Rubber				

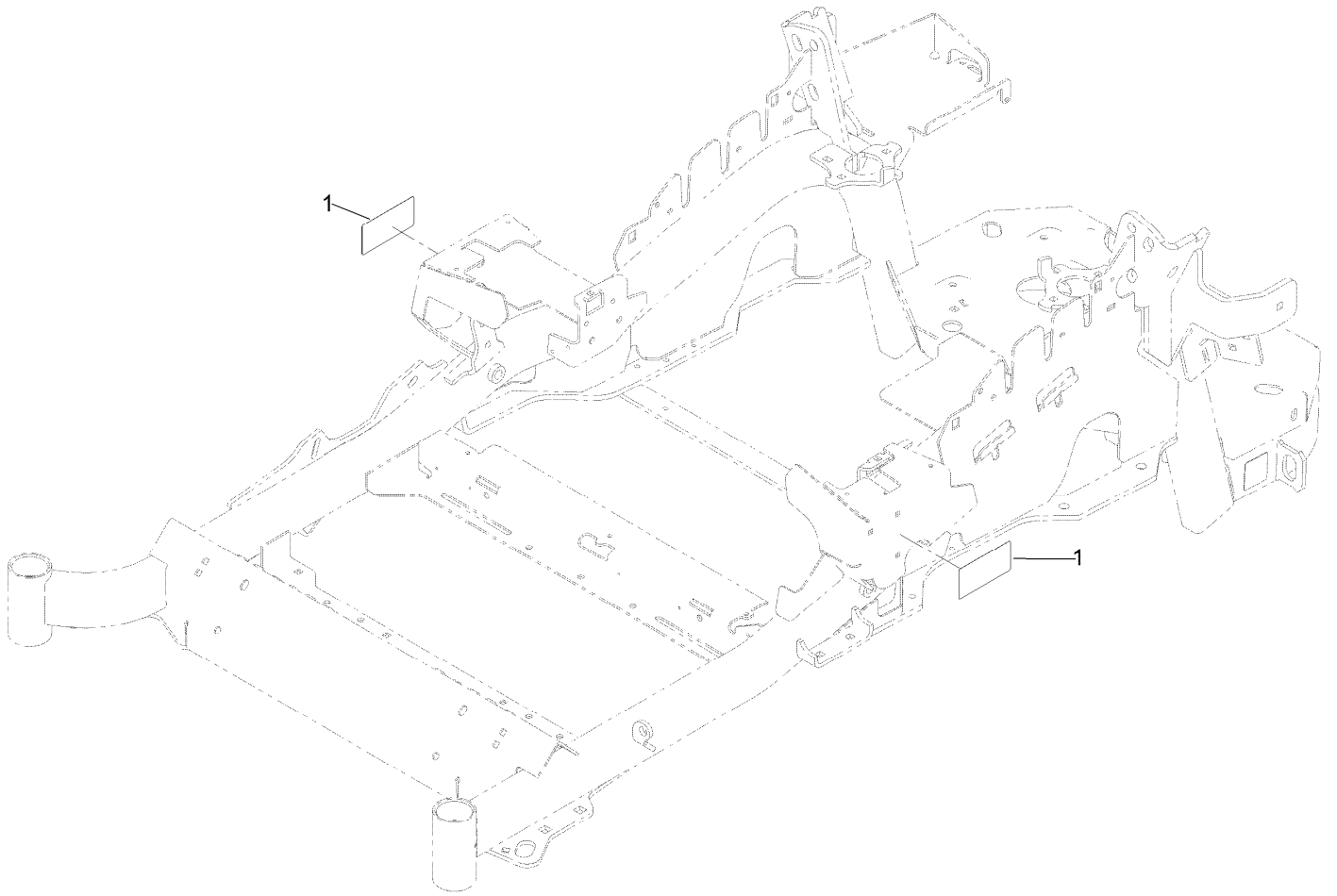
Idler Arm Assembly



Idler Arm Assembly (continued)

<i>Ref.</i>	<i>Part Number</i>	<i>Qty.</i>	<i>Description</i>	<i>Ref.</i>	<i>Part Number</i>	<i>Qty.</i>	<i>Description</i>
1	114-5870	1	Idler Arm ASM	5	98-5961	1	Screw-HH
1:2	1-303514	2	Bearing-Flanged	6	132-9425	1	Pulley-Idler, Flat
1:3	1481	1	Fitting-Grease	7	112-4212	1	Mount-Pulley
2	109-6658	4	Nut-Flange, NI	8	323-11	2	Screw-HH
3	1-213069	3	Washer	9	132-4729	1	Anchor-Spring, Short
4	114-5848	1	Spacer-Plain	10	104-0151	1	Spacer

Frame Decal Assembly



Frame Decal Assembly (continued)

<i>Ref.</i>	<i>Part Number</i>	<i>Qty.</i>	<i>Description</i>
1	120-5895	2	Decal

Attachments and Accessories

For 72961 — Z Master Professional 6000 Series Riding Mower with 72in TURBO FORCE Side Discharge Mower

Product Name	Model/Part
13inx6.5n6 Caster Tweel Asm	147-6295
Blower and Drive Kit	78554
Operator Controlled Discharge Chute Kit.....	117-3600
Bimini Folding Shade Assembly	115-4510
72in E-z Vac Triple Bagger	78555
Seat Cover (with Arm Rest)	117-0095
Toro Rops Lock Kit.....	126-4064
72in E-z Vac Dfs Bagger	78556
Power Deck Lift Kit	132-5986
Jack Kit With Adapter, Zero-Turn-Radius Side-Discharge or Rear-Discharge Riding Mower.....	126-7282
Jack Kit Adapter, Zero-Turn-Radius Side-Discharge or Rear-Discharge Riding Mower.....	126-7283
Light Kit.....	116-1154
Hitch Kit	109-9487
Recycler Kit-G3/GM 3300 72in	139-6659
Trash Holder Kit.....	TC26
HYPR-OIL 500 (quart)	114-4713
HYPR-OIL 500 (gallon).....	114-4714
HYPR-OIL 500-5 (5 gallon).....	114-4715
Roller Striper Kit.....	115-7480
Screen-Spark Arrestor	142-7683
Filter Minder Gauge	99-4664
Toro Deluxe Rider Cover.....	490-7319
Turbo Baffle Kit	107-1634
Seat Tilt Frame and ISO Mount Kit.....	121-7596
Jack Mount Kit	146-0696
Jack Kit.....	127-6666
Blade-24.50 High Flow	147-6253
Blade-24.50 High Flow	140-1238
Blade-24.50 Atomic	140-1239
Trimmer Mount	137-9769
Blade-24.50 Medium Flow	140-4850
Bucket Mount Kit.....	137-9216
Blade-24.50 Low Flow	140-4851
Blade-24.50 Recycler	140-4852
24x12n12 - Tweel Turf	139-7891
Worklight Kit	135-7320
6 Pack-Blade, 24.50 High Flow.....	147-6257
6 Pack-Blade, 24.5 High Flow.....	140-4872
6 Pack-Blade, 24.5 Med Flow	140-4873
6 Pack-Blade, 24.5 Low Flow	140-4874
6 Pack-Blade, 24.5 Atomic.....	140-4875
6 Pack-Blade, 24.5 Recycler.....	140-4876
Toro Rider Over Seat Bag.....	490-7317
Toro Rider Arm Rest Bag	490-7320

Attachments and Accessories (continued)

Weight Kit, Under Toe Board..... 140-4958
Slope Sensor-Lazer/Z-Master 3000/5000/6000..... 142-4910

Notes:

Notes:



Count on it.