



Count on it.

Parts Catalog

60in Z Master® 4000

Series Riding Mower

Model No. 74016—Serial No. 420600000 and Up



Ordering Replacement Parts

To order replacement parts, please supply the part number, the quantity, and the description of each part desired.

Understanding Reference Numbers

Each identified part in an illustration has a reference number. The reference number for a part also appears in the parts list, along with other information about the part.

This catalog uses two special reference number formats, one to indicate parts in a service assembly and another to indicate the quantity of a given part in an illustration.

Service Assembly Reference Numbers

Parts in service assemblies have reference numbers in the form a:b. The a represents the reference number of the entire service assembly and the b represents a sequential number unique to each part within the service assembly.

For example, a wheel assembly might be identified by reference number 6, the tire by 6:1, the valve by 6:2, and the wheel by 6:3. When you order the assembly identified by reference number 6, you receive all parts identified by reference numbers 6:1, 6:2, and 6:3. However, you may also order any part individually. Reference numbers of this type appear in illustration and in parts lists.

Reference Numbers Indicating Quantity

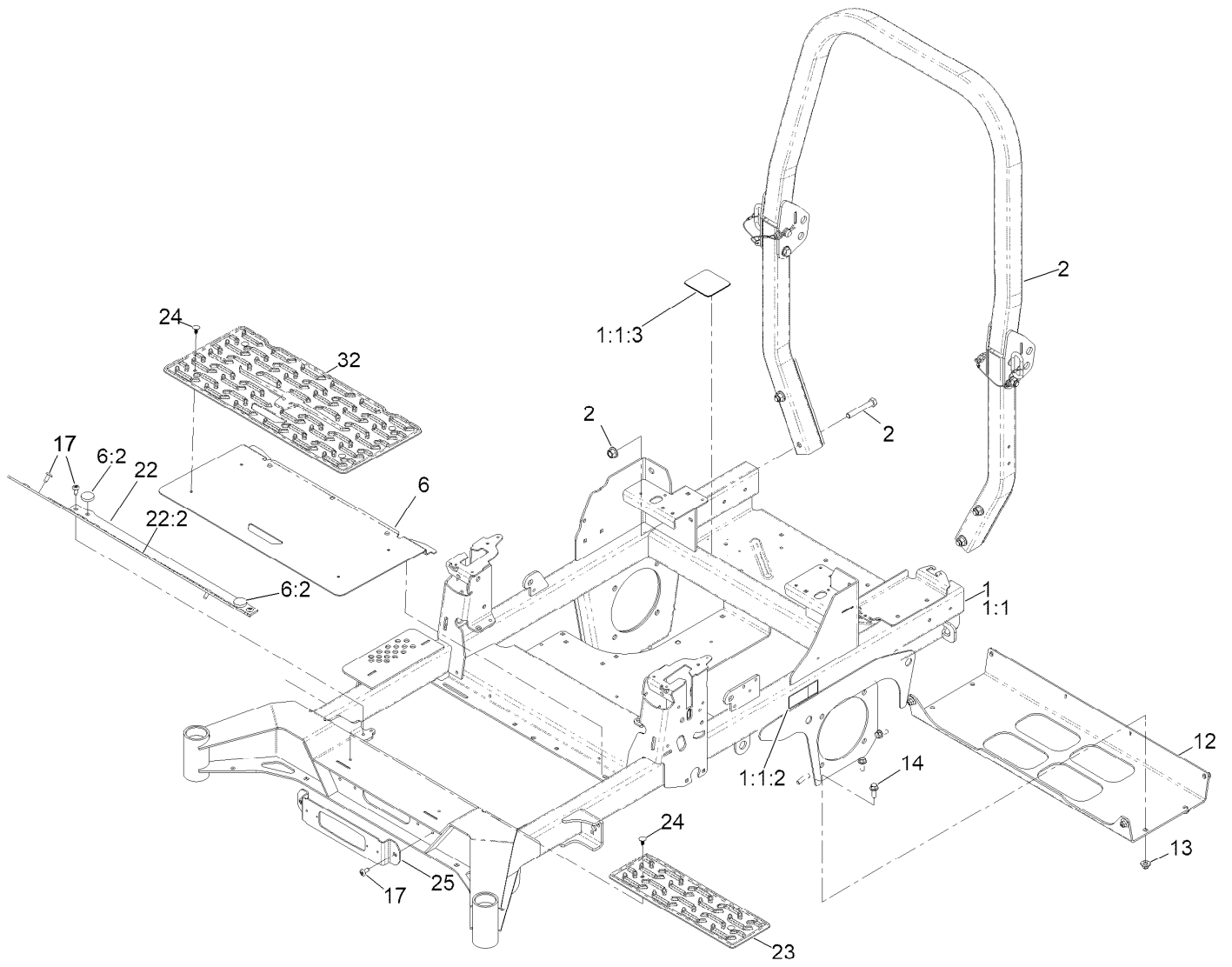
In an illustration, if a reference number indicates more than one part, the reference number has the form nX y. The n represents the quantity of the part, the X is the multiplication symbol, and the y represents the reference number.

For example, in an illustration, the reference number 2X 37 means that two of the parts identified by reference number 37 are indicated.

Contents

Frame and Platform Assembly	4
Roll-Over Protection System Assembly No. 139-8062	6
Hydro Assembly	8
RH Transaxle Assembly No. 138-6077	10
LH Transaxle Assembly No. 138-6076	12
Throttle, Choke Cable and Guard Assembly	14
Muffler Guard Assembly	16
Fuel System Assembly	18
Fuel Tank Assembly No. 163-4138	20
Seat Mounting Assembly	22
Seat Assembly No. 144-2632	24
Motion Control Assembly	26
Left and Right Control Arm Assembly	28
Caster Wheel Assembly	30
Caster and Wheel Assembly	32
Rear Wheel Assembly	34
Electrical Assembly	36
Wire Harness Assembly No. 147-2363	38
Deck Lift Assembly	40
Deck Strut Assembly No. 161-6805	42
Engine, Clutch and Muffler Assembly	44
Deck Assembly	46
Deck Decal Assembly No. 163-4182SP	48
Spindle Assembly No. 137-9780	50
Deflector Assembly No. 144-2635	52
Idler Arm Assembly No. 139-1087	54
Attachments and Accessories	56

Frame and Platform Assembly

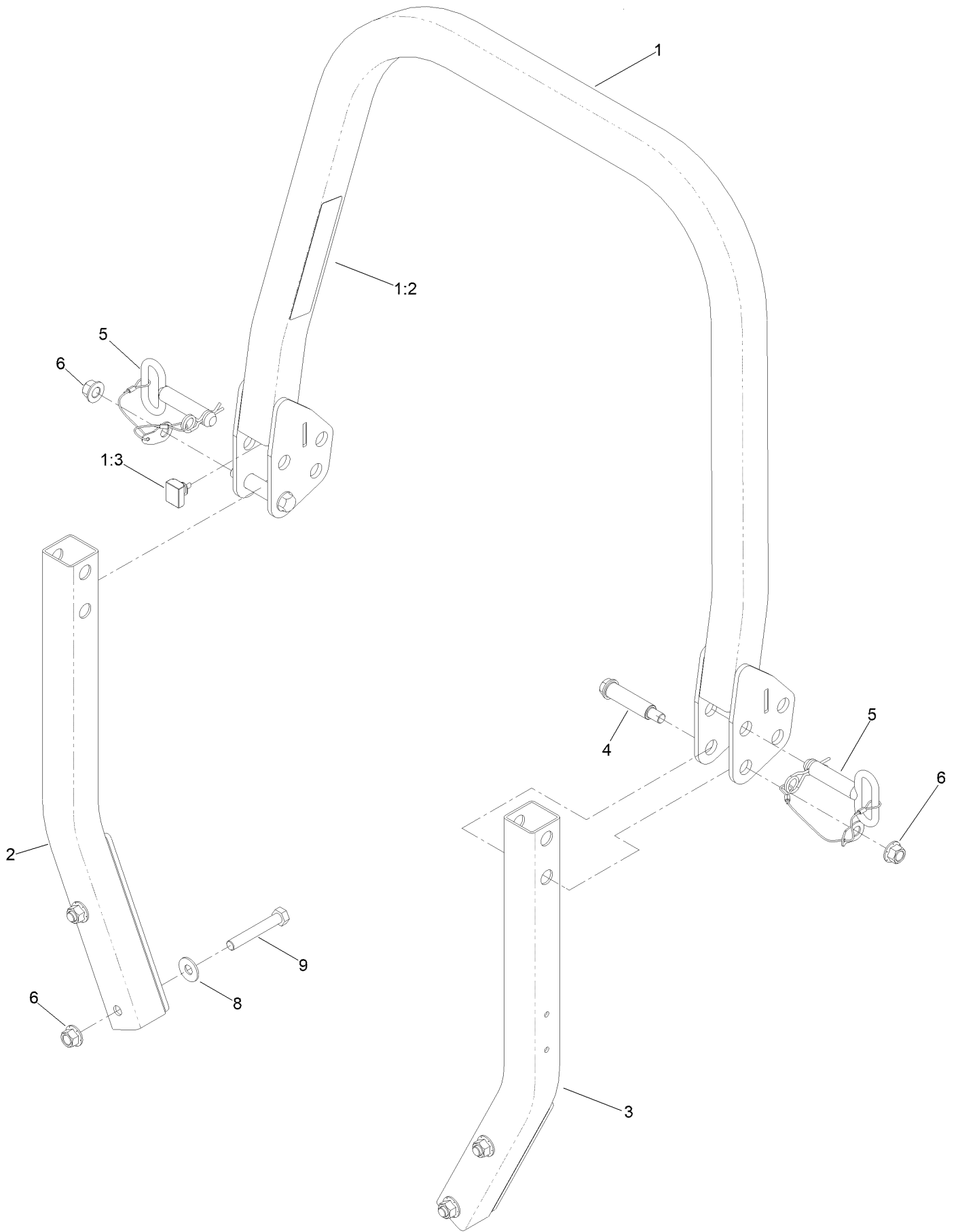


1

Frame and Platform Assembly (continued)

<i>Ref.</i>	<i>Part Number</i>	<i>Qty.</i>	<i>Description</i>	<i>Ref.</i>	<i>Part Number</i>	<i>Qty.</i>	<i>Description</i>
1	163-4125SP	1	Frame ASM-XI 60	14	3234-42	8	Screw-HHF
1:1		1	Frame ASM-XI 60	17	138-9753	6	Screw
1:1:2	126-4363	2	Decal-Warning	19	109-9233	2	Bumper-Push-In, Rubber
1:1:3	144-2687	1	Decal, Belt Routing	22	140-4995	1	Toeboard
2	139-8062	1	ASM-ROPS	22:2	126-8383	1	Decal-Danger
6	138-6098	1	Floor Pan ASM	23	140-4992	1	Step
6:2	109-9233	2	Bumper-Push-In, Rubber	24	117-2382	6	Plug-Plastic
12	139-6717-01	1	Plate-Hydro	25	140-4994-01	1	Bracket-Light
13	109-6658	8	Nut-Flange, NI	32	140-7950	1	Floormat-Fixed Seat

Roll-Over Protection System Assembly No. 139-8062

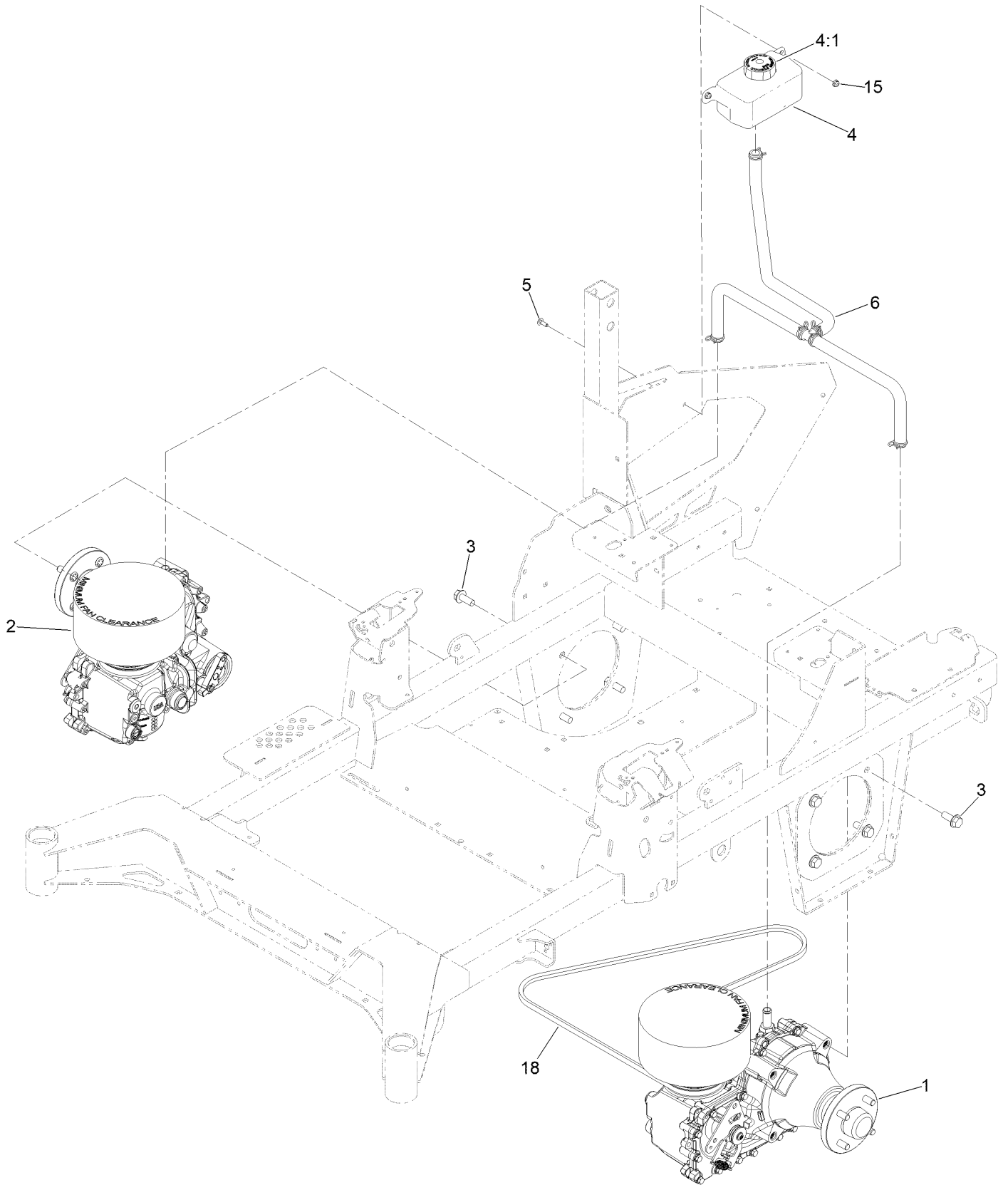


Roll-Over Protection System Assembly No. 139-8062 (continued)

<i>Ref.</i>	<i>Part Number</i>	<i>Qty.</i>	<i>Description</i>	<i>Ref.</i>	<i>Part Number</i>	<i>Qty.</i>	<i>Description</i>
1		1	Upper ROPS ASM ●	4	161-4505	2	Bolt-Shoulder
1:2	107-3069	1	Decal-Warning	5	161-4477	2	ROPS Pin ASM
1:3	109-5337	2	Bumper-ROPS	6	139-1689	6	Nut-HF
2		1	RH Lower ROPS ASM ●	8	109-9505	4	Washer-Spring
3		1	LH Lower ROPS ASM ●	9	325-13	4	Screw-HH

● Not serviced separately

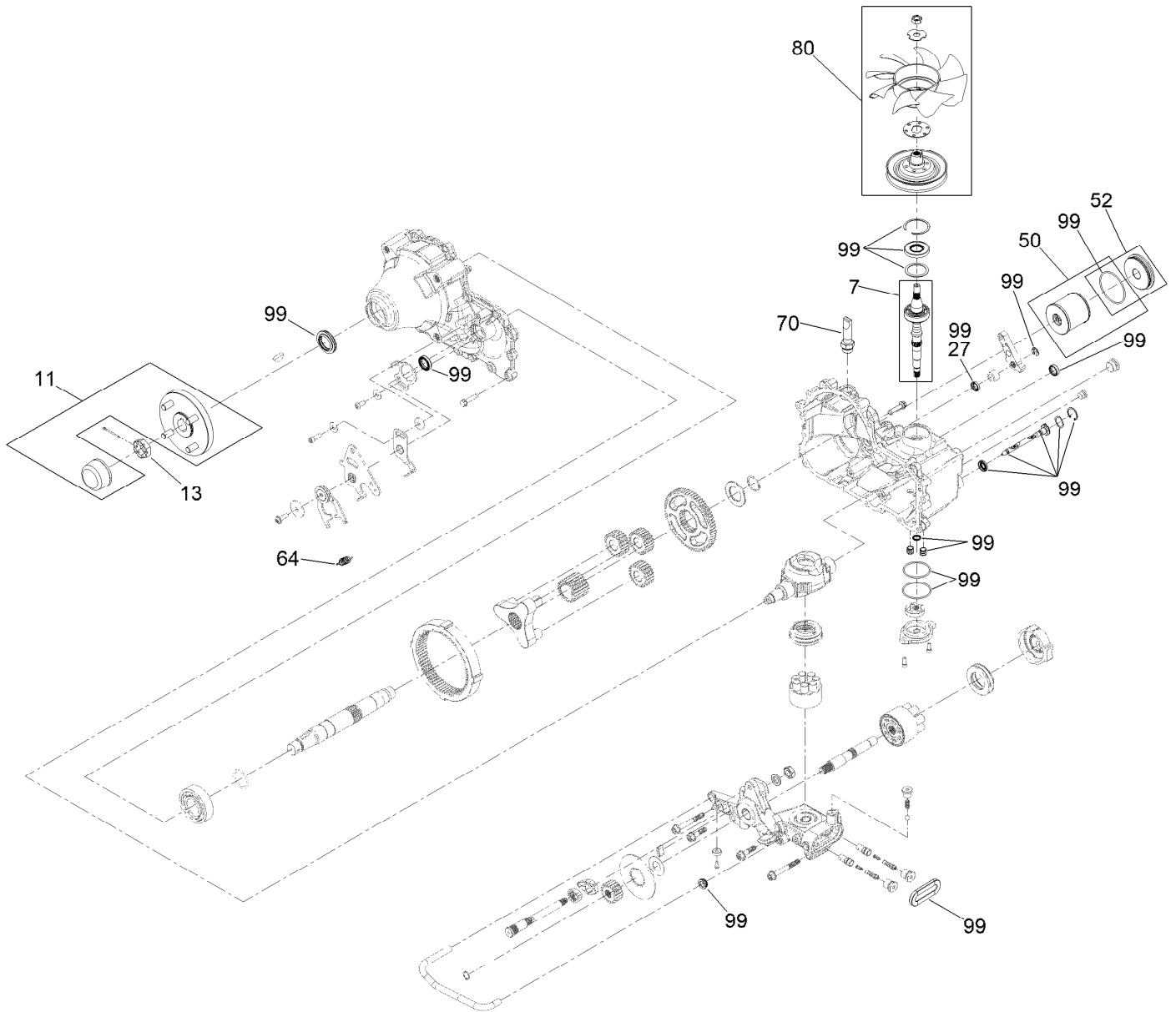
Hydro Assembly



Hydro Assembly (continued)

<i>Ref.</i>	<i>Part Number</i>	<i>Qty.</i>	<i>Description</i>	<i>Ref.</i>	<i>Part Number</i>	<i>Qty.</i>	<i>Description</i>
1	138-6076	1	LH Transaxle ASM	5	3229-28	2	Screw-CARR
2	138-6077	1	RH Transaxle ASM	6	140-1225	1	ASM-Hose, Hydraulic
3	3234-38	8	Screw-HHF	15	104-7201	2	Nut-HF, NI
4	119-9908	1	Hydraulic Reservoir ASM	18	140-7994	1	Belt-V
4:1	109-3320	1	Cap-Reservoir, HYD				

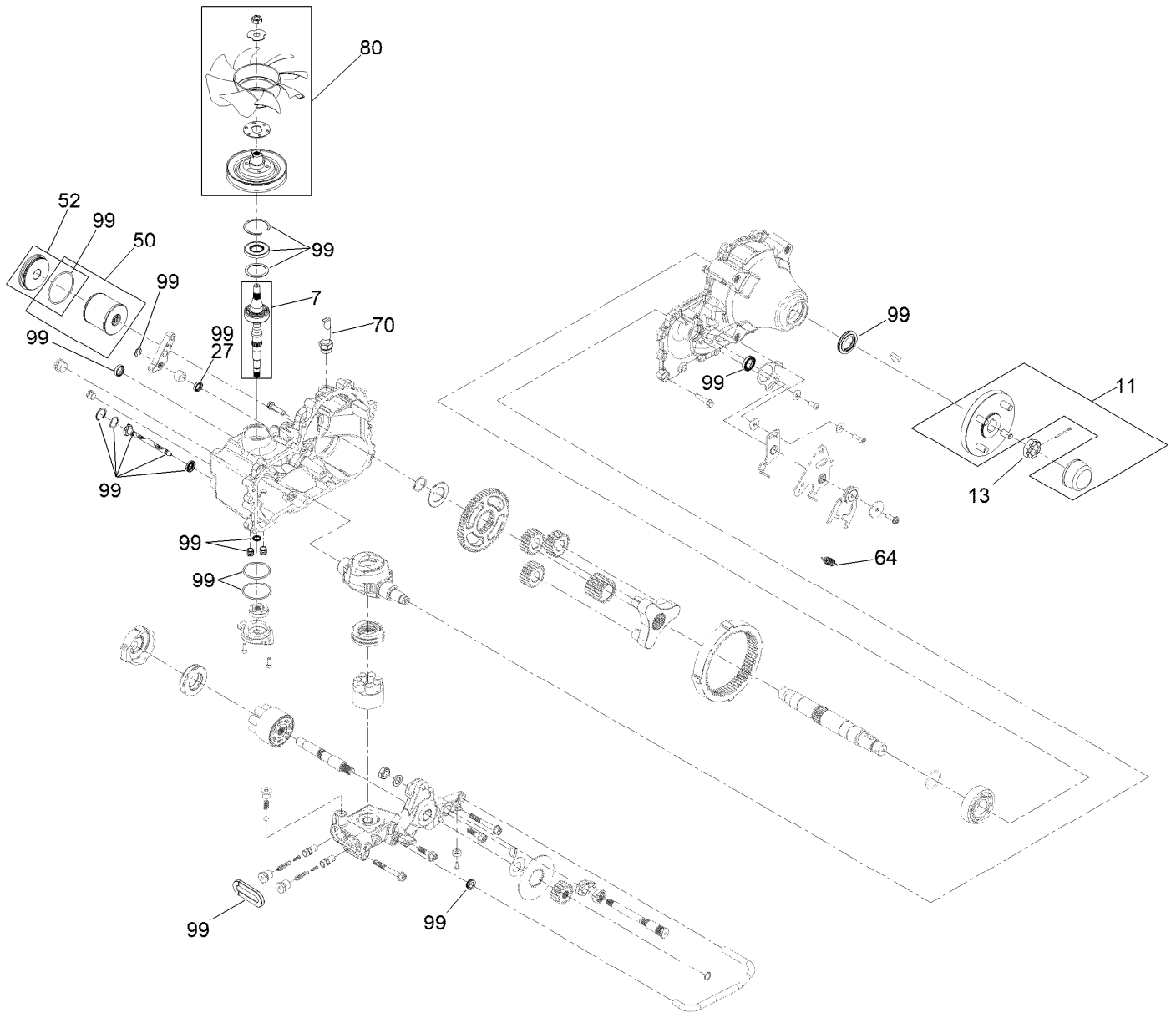
RH Transaxle Assembly No. 138-6077



RH Transaxle Assembly No. 138-6077 (continued)

<i>Ref.</i>	<i>Part Number</i>	<i>Qty.</i>	<i>Description</i>	<i>Ref.</i>	<i>Part Number</i>	<i>Qty.</i>	<i>Description</i>
7	147-1672	1	Kit, Input Shaft	52	144-6604	1	Kit, Filter Plug
11	144-6594	1	Hub-4 Bolt	64	125-4684	1	Spring-Extension
13	144-6595	1	Nut, Slotted	70	144-6601	1	Fitting-5/8 Beaded, 7/8 SAE
27	145-3678	1	Seal, Lip-Brake	80	144-6602	1	Kit, Fan And Pulley
50	144-6603	1	Kit, Filter	99	145-3683	1	Kit-Overhaul Seal

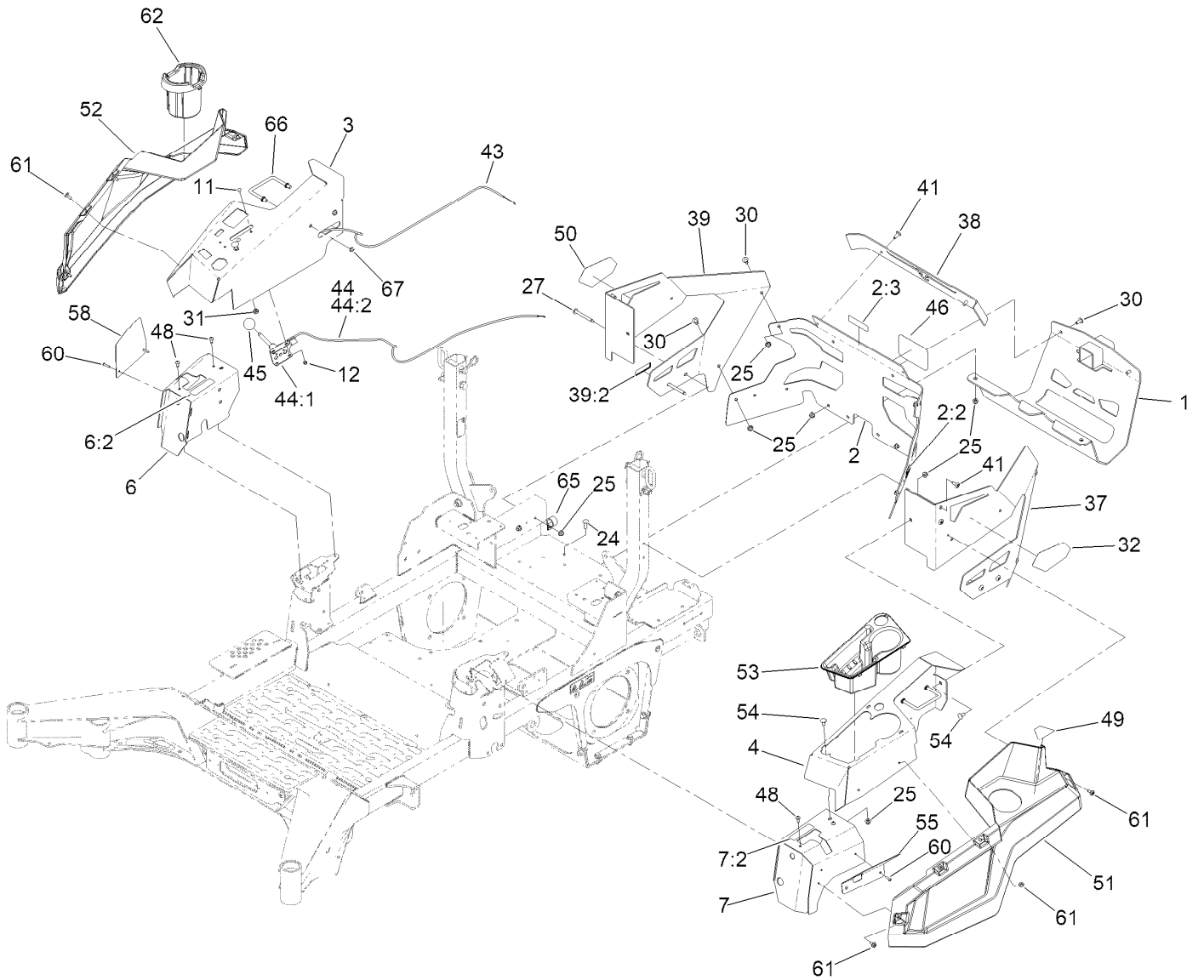
LH Transaxle Assembly No. 138-6076



LH Transaxle Assembly No. 138-6076 (continued)

<i>Ref.</i>	<i>Part Number</i>	<i>Qty.</i>	<i>Description</i>	<i>Ref.</i>	<i>Part Number</i>	<i>Qty.</i>	<i>Description</i>
7	147-1672	1	Kit, Input Shaft	52	144-6604	1	Kit, Filter Plug
11	144-6594	1	Hub-4 Bolt	64	125-4684	1	Spring-Extension
13	144-6595	1	Nut, Slotted	70	144-6601	1	Fitting-5/8 Beaded, 7/8 SAE
27	145-3678	1	Seal, Lip-Brake	80	144-6602	1	Kit, Fan And Pulley
50	144-6603	1	Kit, Filter	99	145-3683	1	Kit-Overhaul Seal

Throttle, Choke Cable and Guard Assembly



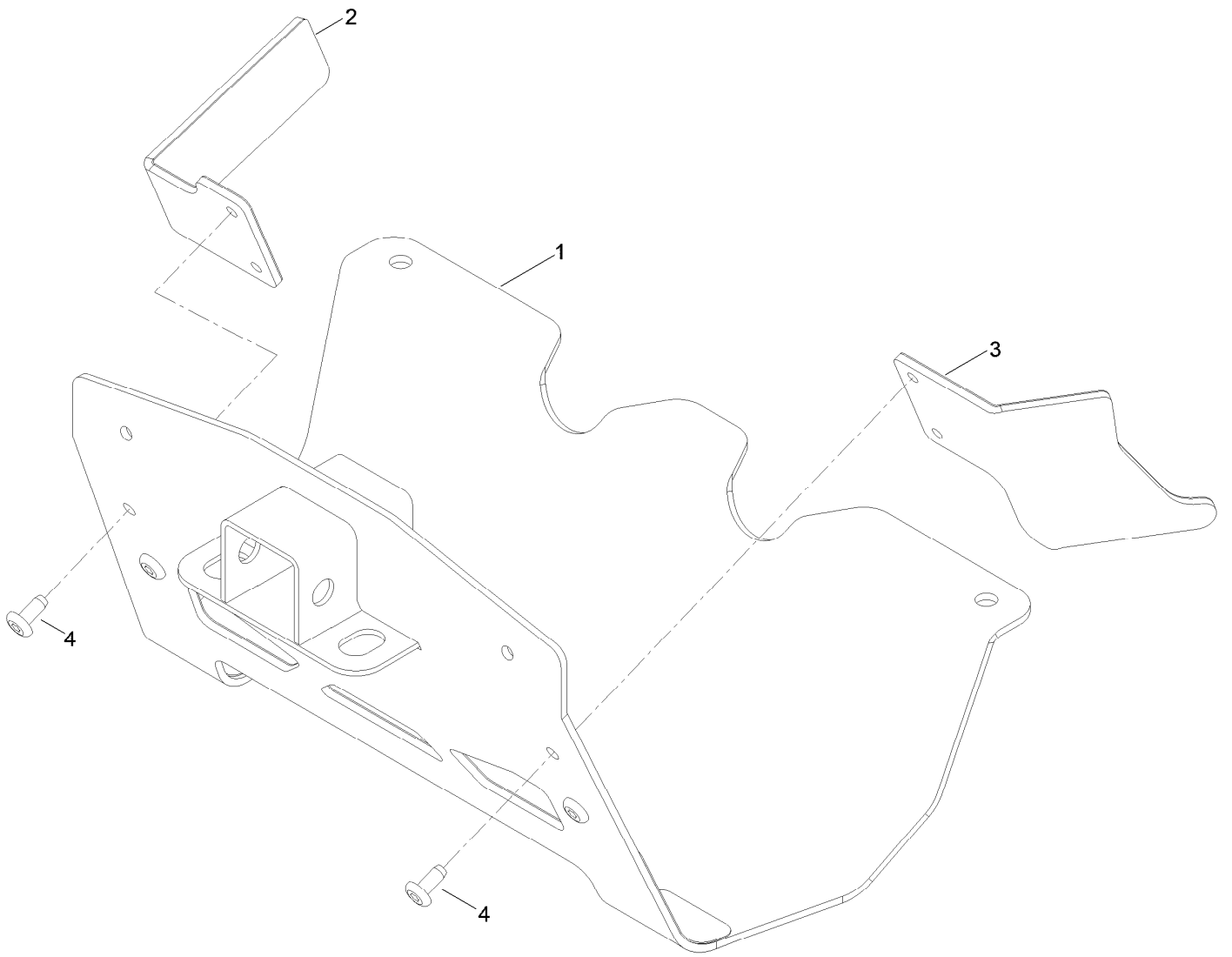
Throttle, Choke Cable and Guard Assembly (continued)

<i>Ref.</i>	<i>Part Number</i>	<i>Qty.</i>	<i>Description</i>	<i>Ref.</i>	<i>Part Number</i>	<i>Qty.</i>	<i>Description</i>
1		1	Muffler Guard ASM ■	41	138-9753	6	Screw
2	147-6259	1	Rear Guard ASM	43	144-2647	1	Cable-Choke Control
2:2	106-5517	2	Decal-Warning	44	110-5727	1	Throttle Control ASM
2:3	147-7364	1	Decal-Hitch ●	44:1	112-2334	1	Lever-Throttle
3	144-6551-01	1	Console-RH	44:2	110-5728	1	Cable-Throttle
4	145-1287-01	1	Console-LH	45	1-603175	1	Knob-Ball
6	140-4867	1	RH Cover ASM	46	105-8278	1	Decal
6:2	99-8936	1	Decal-Control, Motion	48	87-6620	4	Screw-Tph Thd Form
7	140-4866	1	LH Cover ASM	49	126-9939	1	Decal-Fill, Fuel
7:2	99-8936	1	Decal-Control, Motion	50	140-7987	1	Decal-4000 Series, RH
11	1-807513	2	Bolt-CARR	51	140-7979	1	Side Pod, LH
12	3296-2	2	Nut-Lock, NI	52	140-7980	1	Side Pod, RH
24	3230-22	2	Screw-CARR	53	140-7968	1	Cup Holder
25	119-4041	16	Nut-HF	54	3230-18	4	Screw-CARR
27	126-6267	4	Screw-TTH	55	140-7996-03	1	Plate-Cover, LH Front
30	126-6268	6	Screw-TTH	58	140-7998-03	1	Plate-Cover, RH Front
31	3220-3	1	Nut-HJ	60	130-8451	4	Rivet-Trifold
32	139-1149	1	Decal - 4000 Series, LH	61	120-7950	8	Screw-Torx
37	145-6964-01	1	Guard-Rear, LH	62	140-8019	1	Cupholder-RH
38	140-1221-01	1	Guard-Rear, Top	65	110-0824	1	R-Clamp
39	145-7012	1	RH Rear Guard ASM	66	144-2642	2	Rod-Support, Pod
39:2	133-8062	1	Decal-Spark Arrestor ●	67	3296-59	4	Nut-Lock, NI

● Not illustrated

■ Not serviced separately

Muffler Guard Assembly

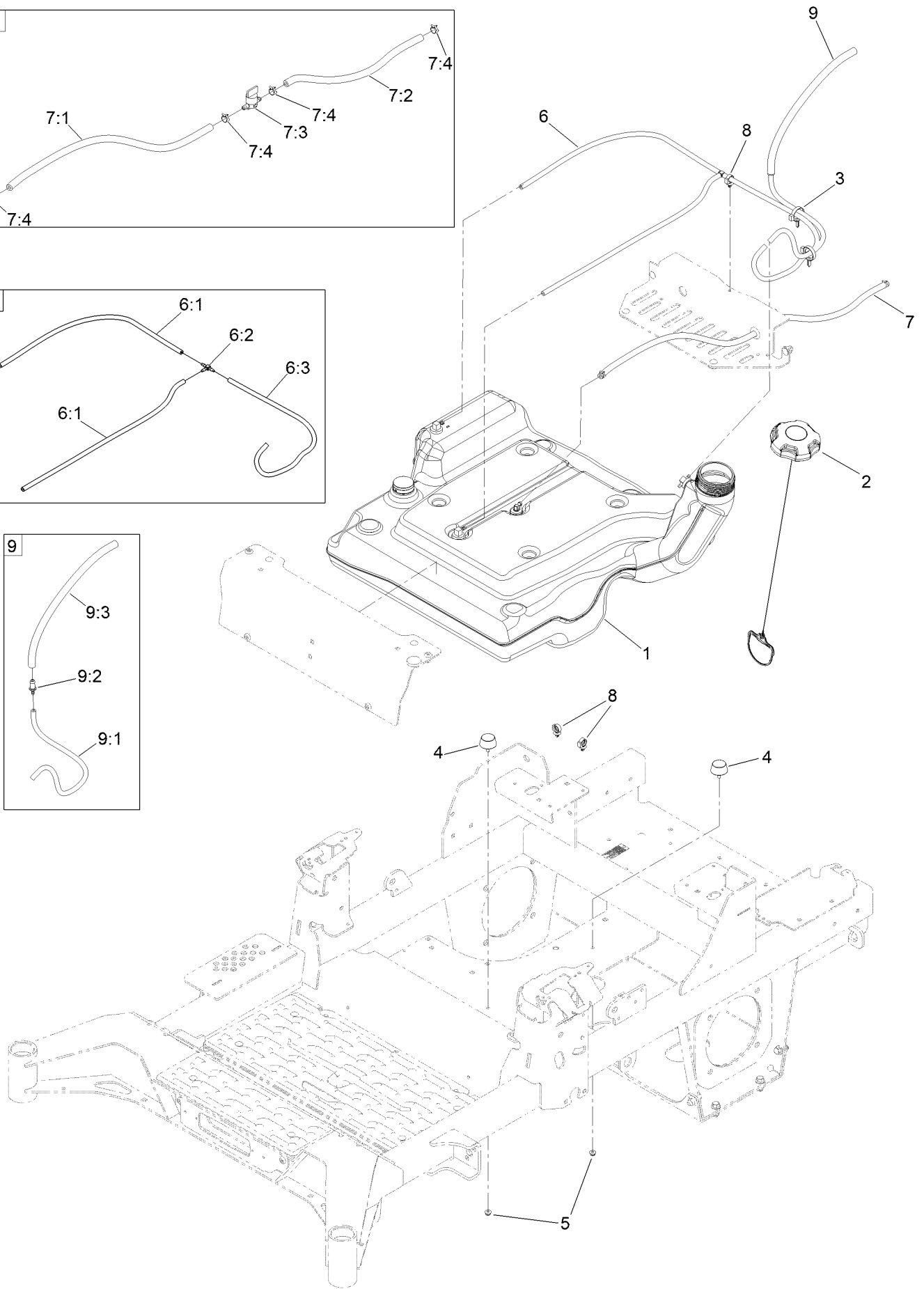
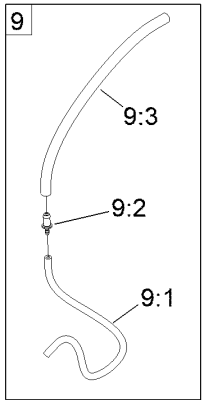
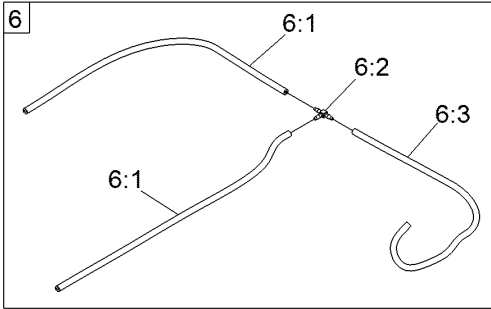
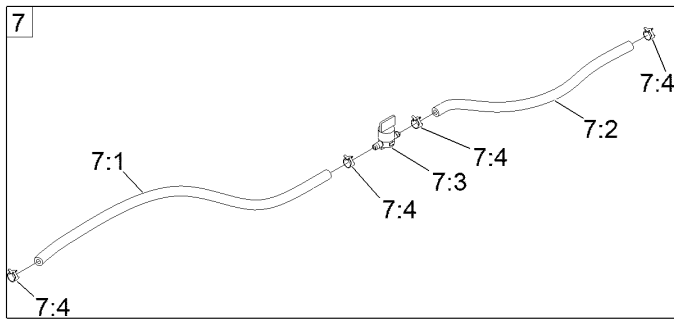


Muffler Guard Assembly (continued)

<i>Ref.</i>	<i>Part Number</i>	<i>Qty.</i>	<i>Description</i>	<i>Ref.</i>	<i>Part Number</i>	<i>Qty.</i>	<i>Description</i>
1	163-7461	1	Rear Muffler Guard ASM	3	163-7467	1	RH Exhaust Guard ASM
1:2	163-7460	1	Tape-Heat ●	3:2	163-7466	1	Tape-Heat ●
2	163-7464	1	LH Exhaust Guard ASM	4	138-9753	4	Screw
2:2	163-7463	1	Tape-Heat ●				

● Not illustrated

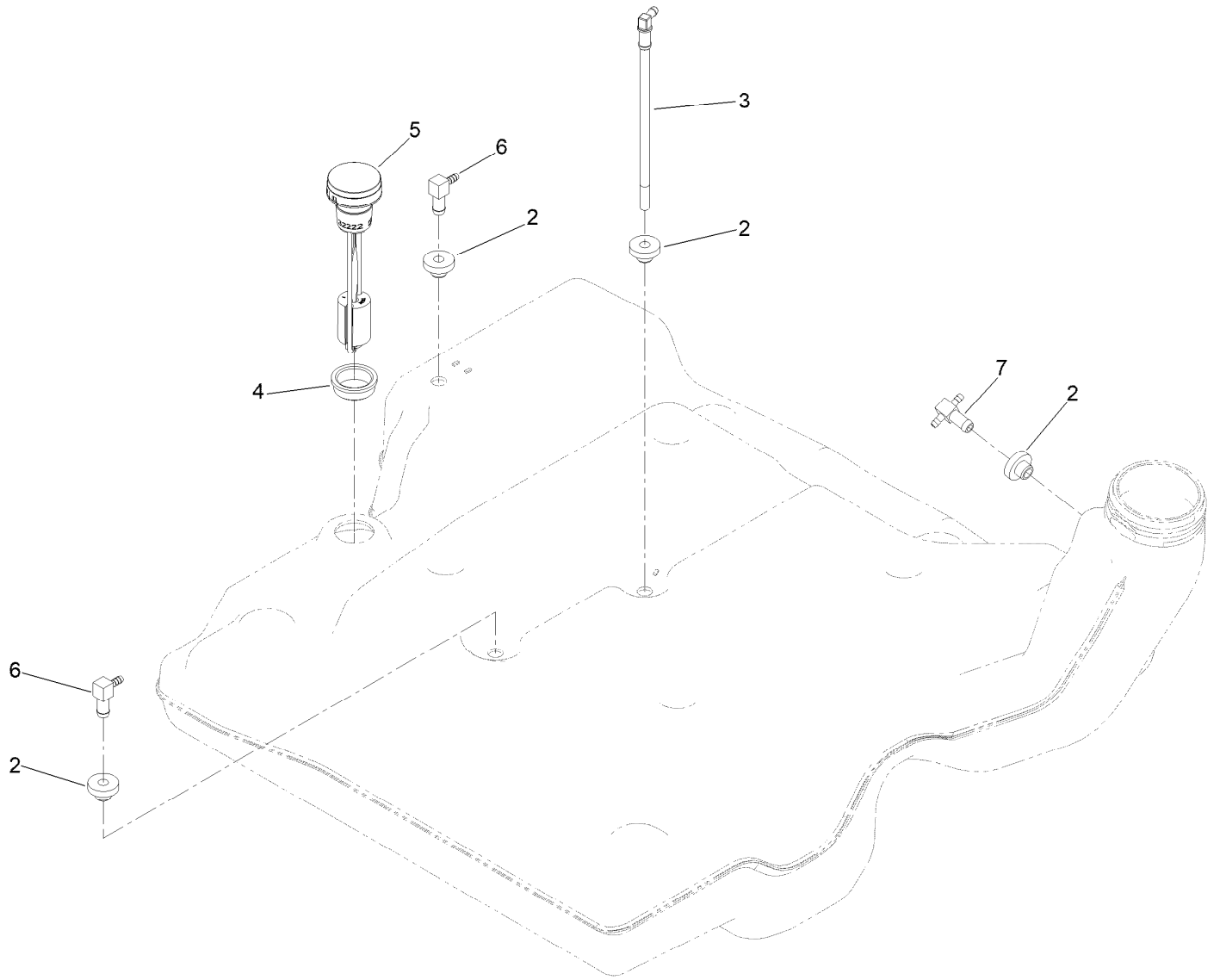
Fuel System Assembly



Fuel System Assembly (continued)

<i>Ref.</i>	<i>Part Number</i>	<i>Qty.</i>	<i>Description</i>	<i>Ref.</i>	<i>Part Number</i>	<i>Qty.</i>	<i>Description</i>
1	163-4138	1	Fuel Tank ASM	7:1	109-0298	1	Line-Fuel
2	137-4119	1	Cap-Fuel, Ratcheting	7:2	114-3766	1	Hose-Fuel
3	104-2490	2	Clamp-Hose	7:3	1-603770	1	Valve-Fuel
4	131-8834	2	Bumper	7:4	2412-98	4	Clamp-Hose
5	104-7201	2	Nut-HF, NI	8	126-5523	3	Clip
6	139-8067	1	Vent Hose ASM	9	140-4957	1	ASM-Fuel Vent
6:1	138-3152	2	Hose-Fuel	9:1	138-3152	1	Hose-Fuel
6:2	120-2234	1	Fitting-Tee	9:2	116-4630	1	Fitting-Orifice, Straight
6:3	140-4956	1	Hose-Fuel	9:3	116-4344	1	Hose-Fuel
7	139-8068	1	Fuel Hose ASM				

Fuel Tank Assembly No. 163-4138

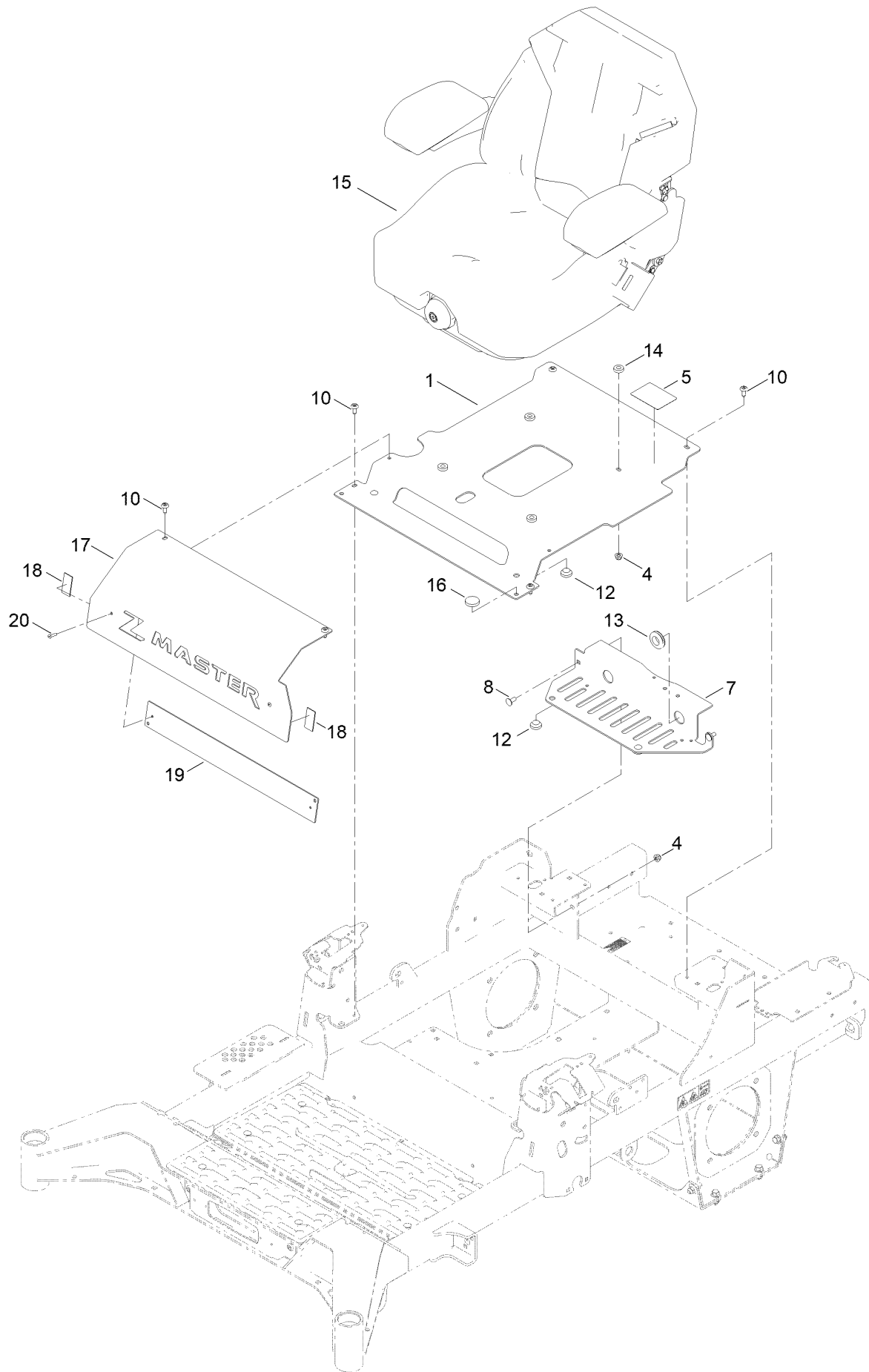


Fuel Tank Assembly No. 163-4138 (continued)

<i>Ref.</i>	<i>Part Number</i>	<i>Qty.</i>	<i>Description</i>
2	46-6560	4	Bushing
3	161-6744	1	Fuel Pickup With Filter ASM
4	133-9269	1	Grommet-Fuel

<i>Ref.</i>	<i>Part Number</i>	<i>Qty.</i>	<i>Description</i>
5	139-8058	1	Gauge-Fuel
6	163-7304	2	Fitting-Elbow, 90
7	163-7303	1	Fitting-Tee

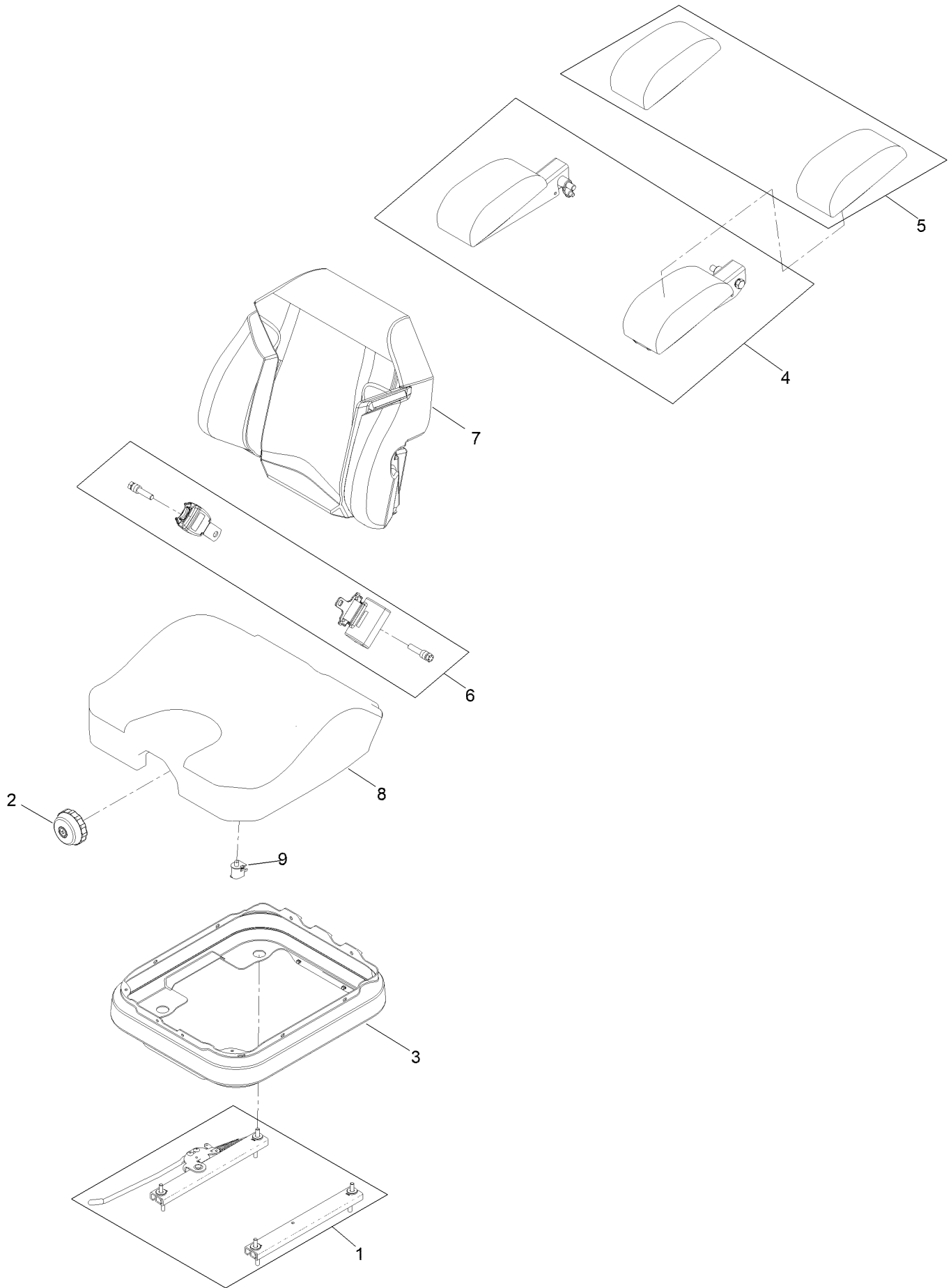
Seat Mounting Assembly



Seat Mounting Assembly (continued)

<i>Ref.</i>	<i>Part Number</i>	<i>Qty.</i>	<i>Description</i>	<i>Ref.</i>	<i>Part Number</i>	<i>Qty.</i>	<i>Description</i>
1	140-1165-03	1	Pan-Seat [black]	14	5-0652	4	Spacer
4	119-4041	6	Nut-HF	15	144-2632	1	Seat ASM-Suspension
5	144-2669	1	Decal-Service Aid	16	109-9233	1	Bumper-Push-In, Rubber
7	147-2436-03	1	Plate-Tank Retainer, Rear	17	147-4987-03	1	Plate-Tank Retainer, Front
8	137-3061	2	Bolt-CARR	18	130-0733	2	Pad-Rubber
10	138-9753	6	Screw	19	147-4954-01	1	Plate-Backer
12	135-0505	4	Bumper-Seat	20	130-8451	2	Rivet-Trifold
13	1-543286	1	Grommet				

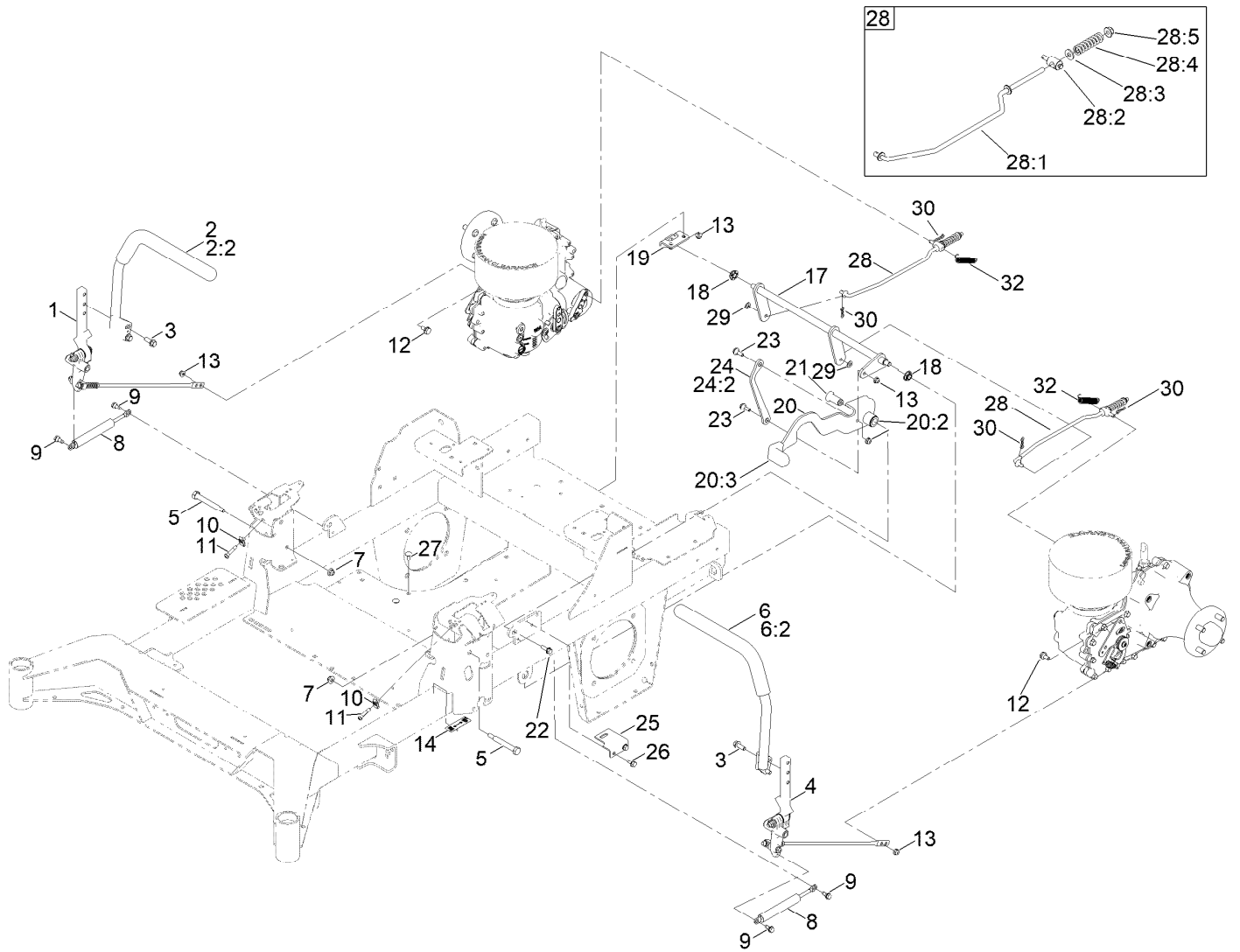
Seat Assembly No. 144-2632



Seat Assembly No. 144-2632 (continued)

<i>Ref.</i>	<i>Part Number</i>	<i>Qty.</i>	<i>Description</i>	<i>Ref.</i>	<i>Part Number</i>	<i>Qty.</i>	<i>Description</i>
1	140-8012	1	Seat Track Set	6	126-8560	1	Kit-Seat Belt
2	116-8911	1	Knob-Adjuster	7	145-3643	1	Cover-Back, Seat
3	126-8559	1	Bellows-Seat	8	145-3659	1	Cover-Bottom, Seat
4	145-3641	1	Armrest Kit	9	82-2190	1	Switch-Bail
5	145-3642	1	Pads-Armrest				

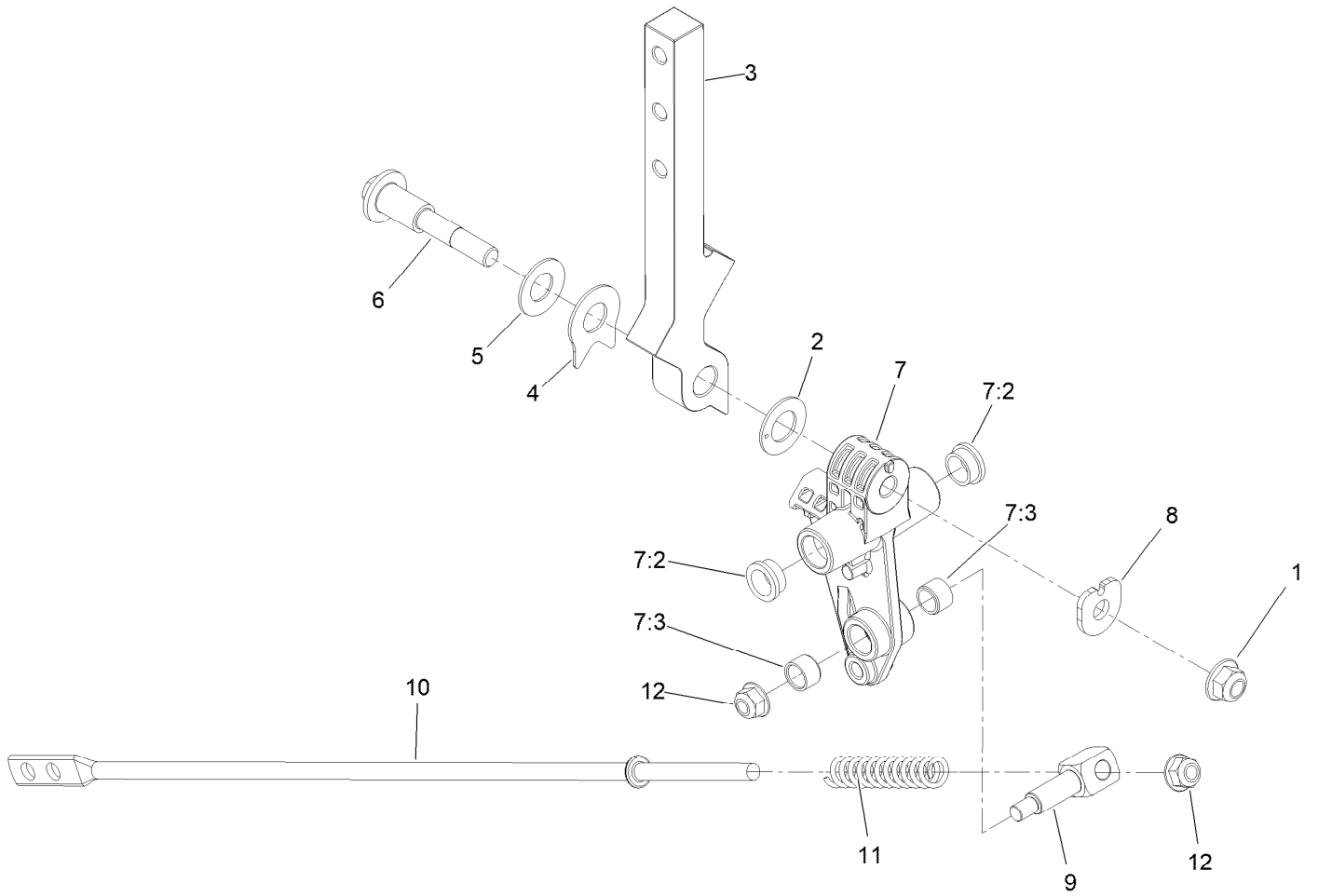
Motion Control Assembly



Motion Control Assembly (continued)

<i>Ref.</i>	<i>Part Number</i>	<i>Qty.</i>	<i>Description</i>	<i>Ref.</i>	<i>Part Number</i>	<i>Qty.</i>	<i>Description</i>
1	147-5046	1	Motion Control ASM-RH	20:2	109-8054	2	Bushing-Flange
2	147-2390	1	RH Handle ASM	20:3	132-4749	1	Grip-Lever
2:2	109-5668	1	Grip-Lever, Control	21	139-6743	1	Pivot-Handle
3	110-5052	4	Screw-HHF	22	3234-29	1	Screw-HHF
4	147-5047	1	Motion Control ASM-LH	23	116-2670	2	Screw-Shoulder
5	115-5099	2	Bolt-Pivot	24	144-6566	1	Brake Link ASM
6	147-2391	1	LH Handle ASM	24:2	116-4976	2	Bushing-Sleeve
6:2	109-5668	1	Grip-Lever, Control	25	139-6745	1	Plate-Switch
7	119-4042	2	Nut-HF, NI	26	32144-70	2	Screw-HWHTF
8	142-6851	2	Damper	27	137-3061	2	Bolt-CARR
9	126-4424	4	Screw-Shoulder	28	144-0352	1	RH Brake Rod ASM
10	112-3306	2	Nut	28:1	140-4950	1	Rod-Brake, RH
11	126-4299	2	Screw-HSBH	28:2	139-6741	1	Fitting-Rod
12	37-8771	2	Bolt-Shoulder, HF	28:3	3256-3	1	Washer-Flat
13	119-4041	6	Nut-HF	28:4	144-2645	1	Spring-Compression
14	115-9625	1	Decal-Brake, Parking	28:5	119-4042	1	Nut-HF, NI
17	144-2658	1	Brake ASM	29	3256-45	2	Washer-Flat
18	126-5820	2	Bearing-Spherical	30	119-1415	4	Pin-Cotter, Locking
19	139-6742	1	Bracket-Brake	32	109-7124	2	Spring-Extension
20	139-6726	1	Brake Lever ASM W/Grip				

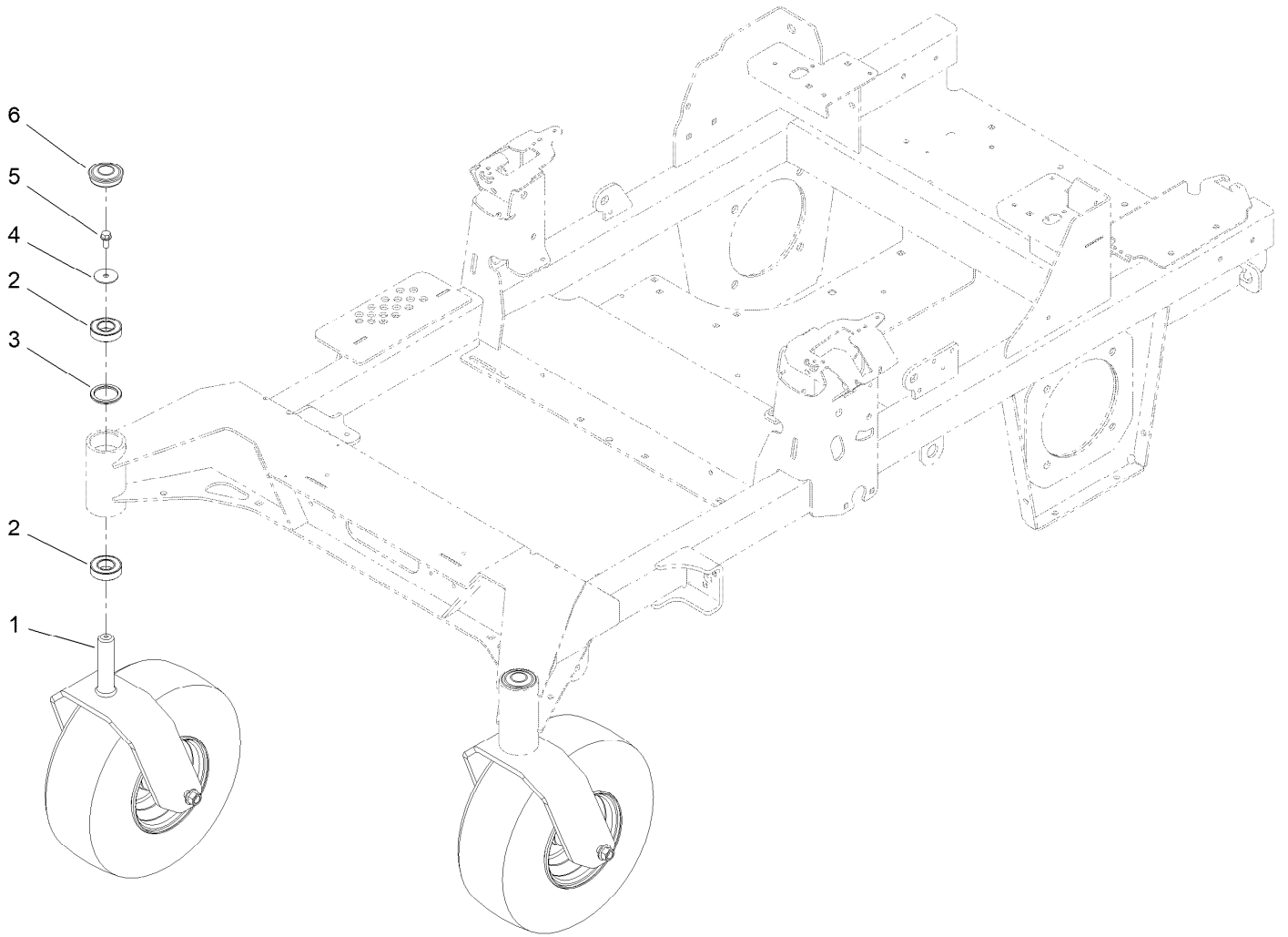
Left and Right Control Arm Assembly



Left and Right Control Arm Assembly (continued)

<i>Ref.</i>	<i>Part Number</i>	<i>Qty.</i>	<i>Description</i>	<i>Ref.</i>	<i>Part Number</i>	<i>Qty.</i>	<i>Description</i>
1	119-4042	1	Nut-HF, NI	7:2	126-8909	2	Bushing
2	126-7296	1	Washer-Friction	7:3	1-413152	2	Bushing-Sleeve
3	147-2389	1	Arm-Control	8	147-5048	1	Spacer-Actuator
4	142-8478	1	Spacer, Anti-Rotation	9	126-5434	1	Swivel
5	119-8925	1	Washer-Belleville	10	140-4949	1	Link-Control
6	117-1198	1	Bolt-Pivot	11	126-8195	1	Spring-Return, Neutral
7	145-5798	1	ASM-Control Arm	12	119-4041	2	Nut-HF

Caster Wheel Assembly

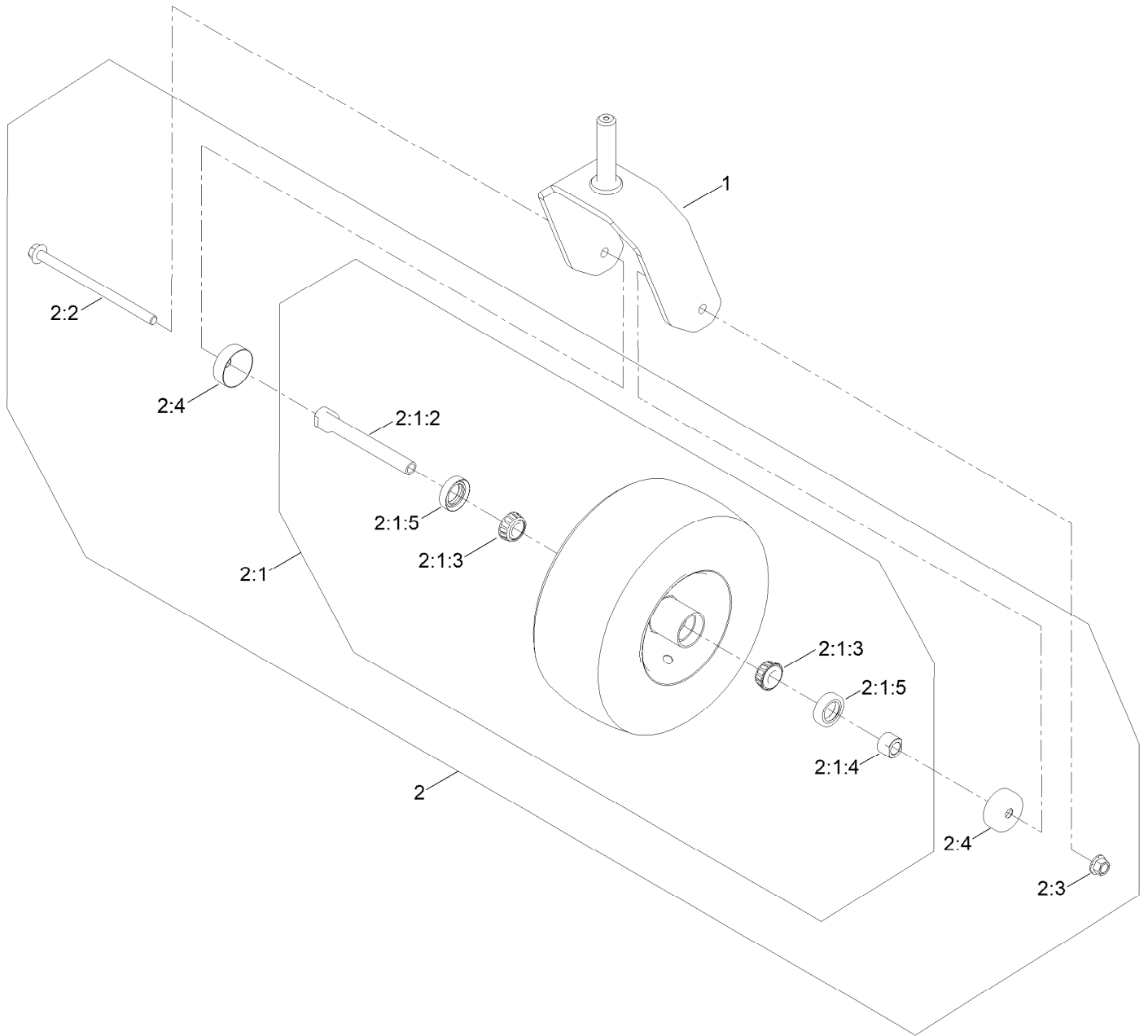


Caster Wheel Assembly (continued)

<i>Ref.</i>	<i>Part Number</i>	<i>Qty.</i>	<i>Description</i>	<i>Ref.</i>	<i>Part Number</i>	<i>Qty.</i>	<i>Description</i>
1		2	Front Caster W/ Fork ASM ●	4	3256-68	2	Washer-Flat
2	109-3678	4	Bearing-Ball	5	100-1668	2	Screw-HHF
3	145-3660	2	Spacer-Bearing	6	144-0375	2	Cap-Grease

● Not serviced separately

Caster and Wheel Assembly

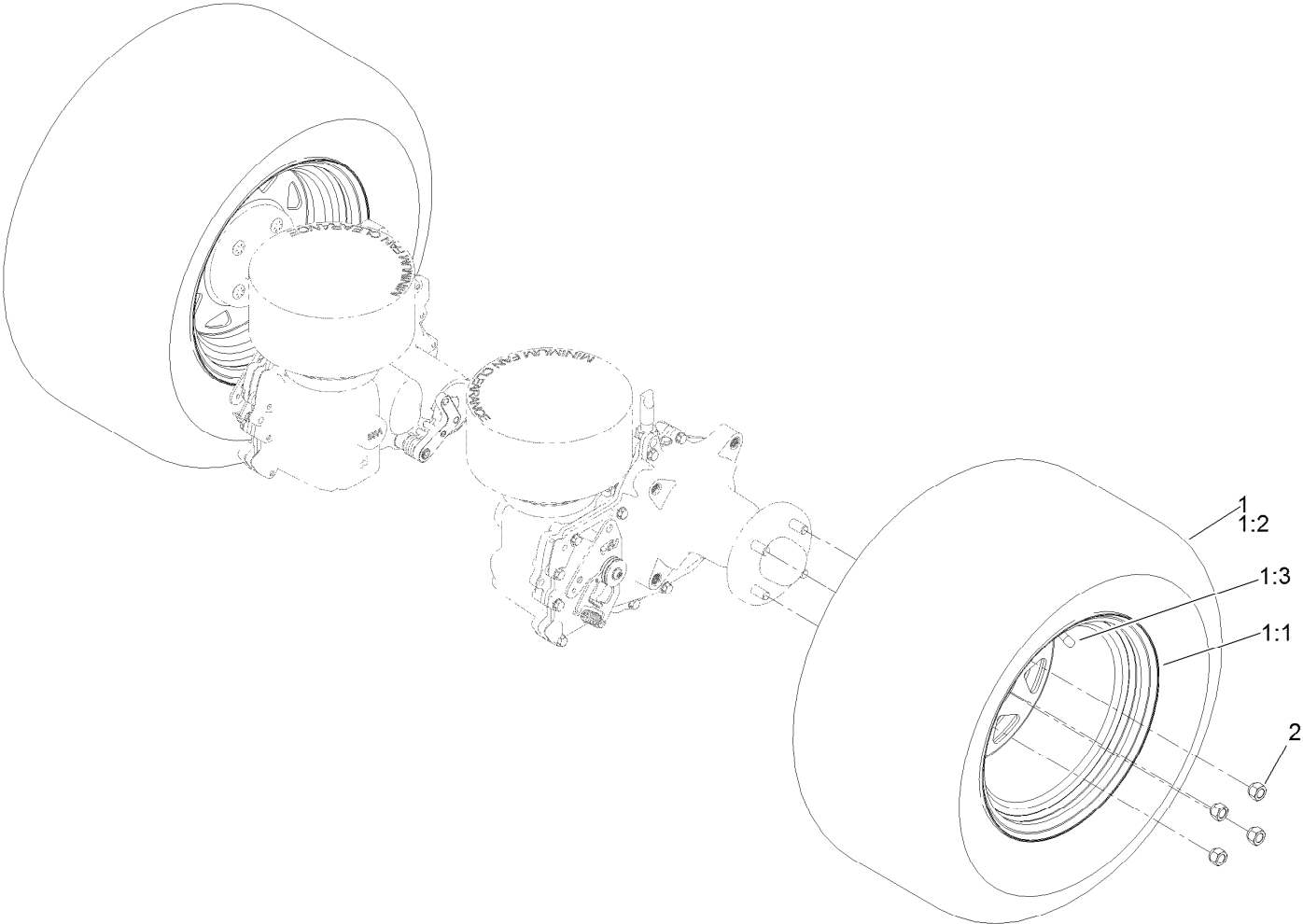


Caster and Wheel Assembly (continued)

<i>Ref.</i>	<i>Part Number</i>	<i>Qty.</i>	<i>Description</i>	<i>Ref.</i>	<i>Part Number</i>	<i>Qty.</i>	<i>Description</i>
1	142-7827-01	1	Fork-Caster	2:1:4	103-3051	1	Spacer-Nut
2	140-4896	1	Semi Pneumatic ASM 13X6.50-6	2:1:5	103-0063	2	Seal-Caster
2:1		1	Wheel And Bearings ASM ●	2:2	126-5389	1	Screw-HHF
2:1:2	126-7796	1	Caster Axle ASM	2:3	139-1689	1	Nut-HF
2:1:3	1-633585	2	Bearing-Cone, Taper	2:4	103-2768	2	Guard-Seal

● Not serviced separately

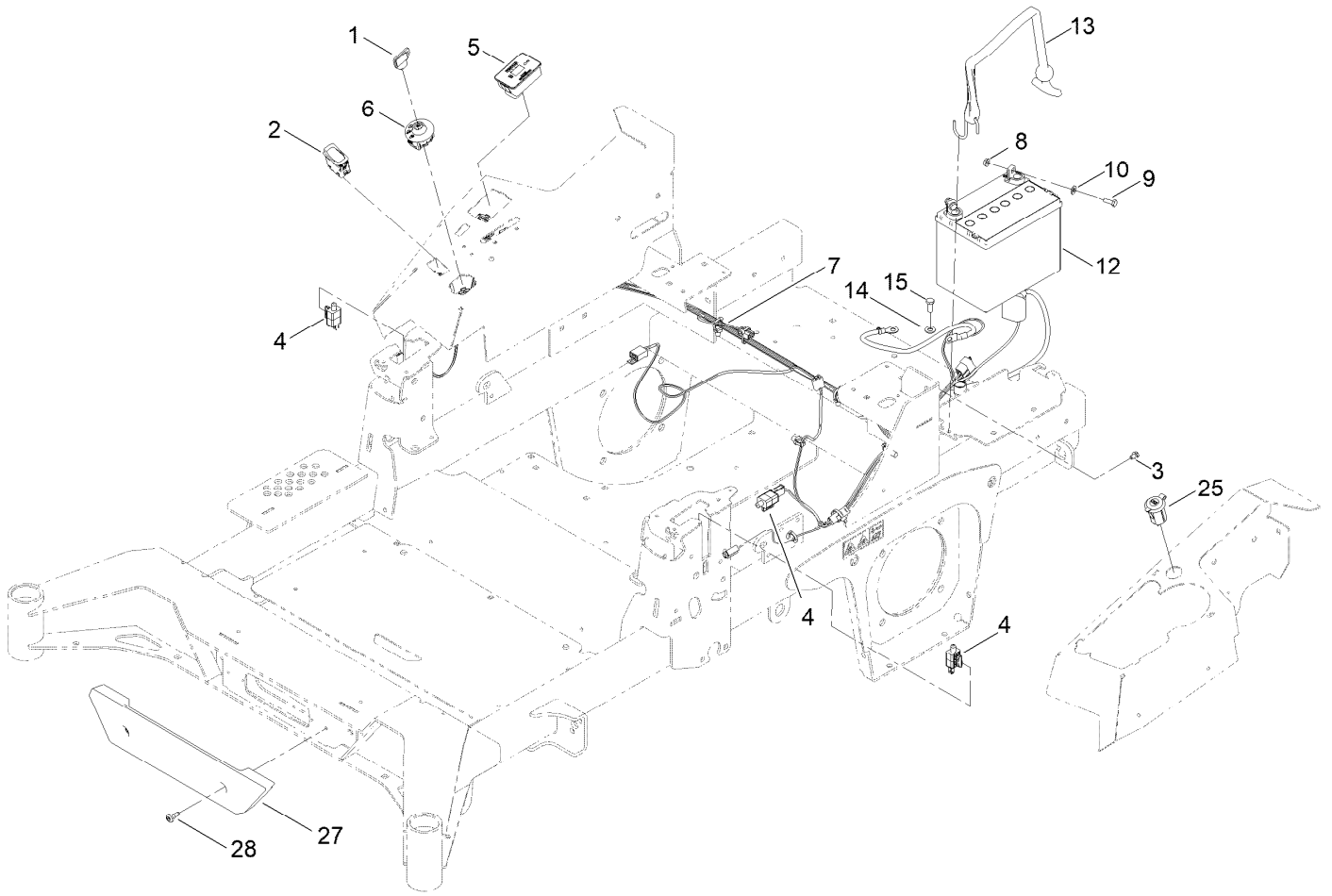
Rear Wheel Assembly



Rear Wheel Assembly (continued)

<i>Ref.</i>	<i>Part Number</i>	<i>Qty.</i>	<i>Description</i>	<i>Ref.</i>	<i>Part Number</i>	<i>Qty.</i>	<i>Description</i>
1	144-6607	2	Wheel And Tire ASM	1:3	232-27	1	Stem-Valve
1:1	144-6606	1	Wheel	2	139-2564	8	Nut-Lug
1:2	140-7975	1	Tire				

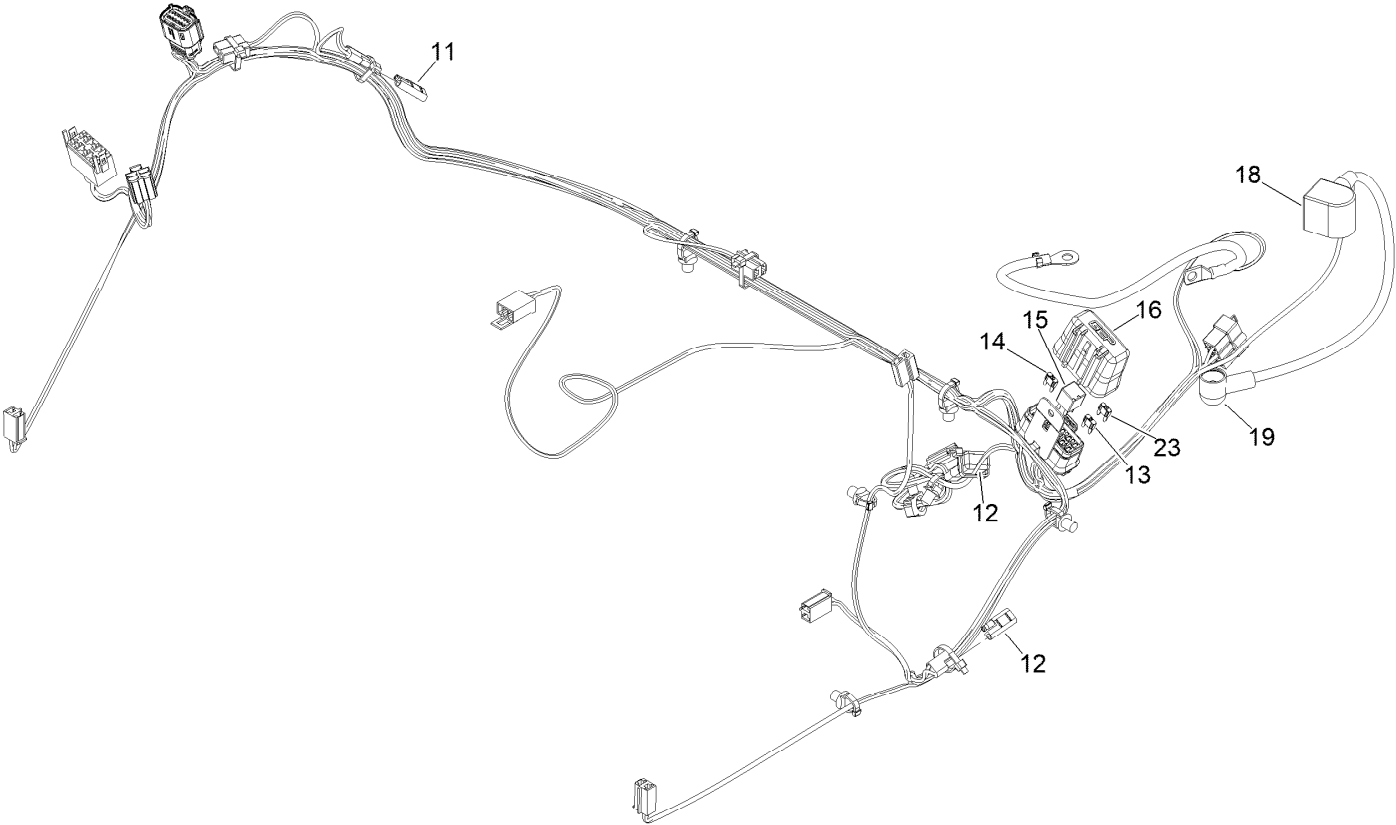
Electrical Assembly



Electrical Assembly (continued)

<i>Ref.</i>	<i>Part Number</i>	<i>Qty.</i>	<i>Description</i>	<i>Ref.</i>	<i>Part Number</i>	<i>Qty.</i>	<i>Description</i>
1	1-603511	1	Keys-Ignition (Spare Pair)	9	321-4	2	Screw-HH
1	63-8360	1	Key-Ignition	10	3256-22	2	Washer-Flat
2	139-6368	1	Switch-Rocker, On-None-On	12	104-8162	1	Battery
3	99-8445	1	Screw-HWH	13	142-8697	1	Strap, Bungee
4	110-6765	3	Switch	14	33094-00	1	Washer-Plain
5	116-5609	1	Module ASM	15	33114-020	1	Screw-HH
6	137-4100	1	Switch-Ignition	25	140-7955	1	Port-Power, USB
7	147-2363	1	Harness-Wire, Zmaster	27	147-7852	1	Bumper-Front
8	32128-33	2	Nut-HF	28	135-2015	2	Screw-Shoulder

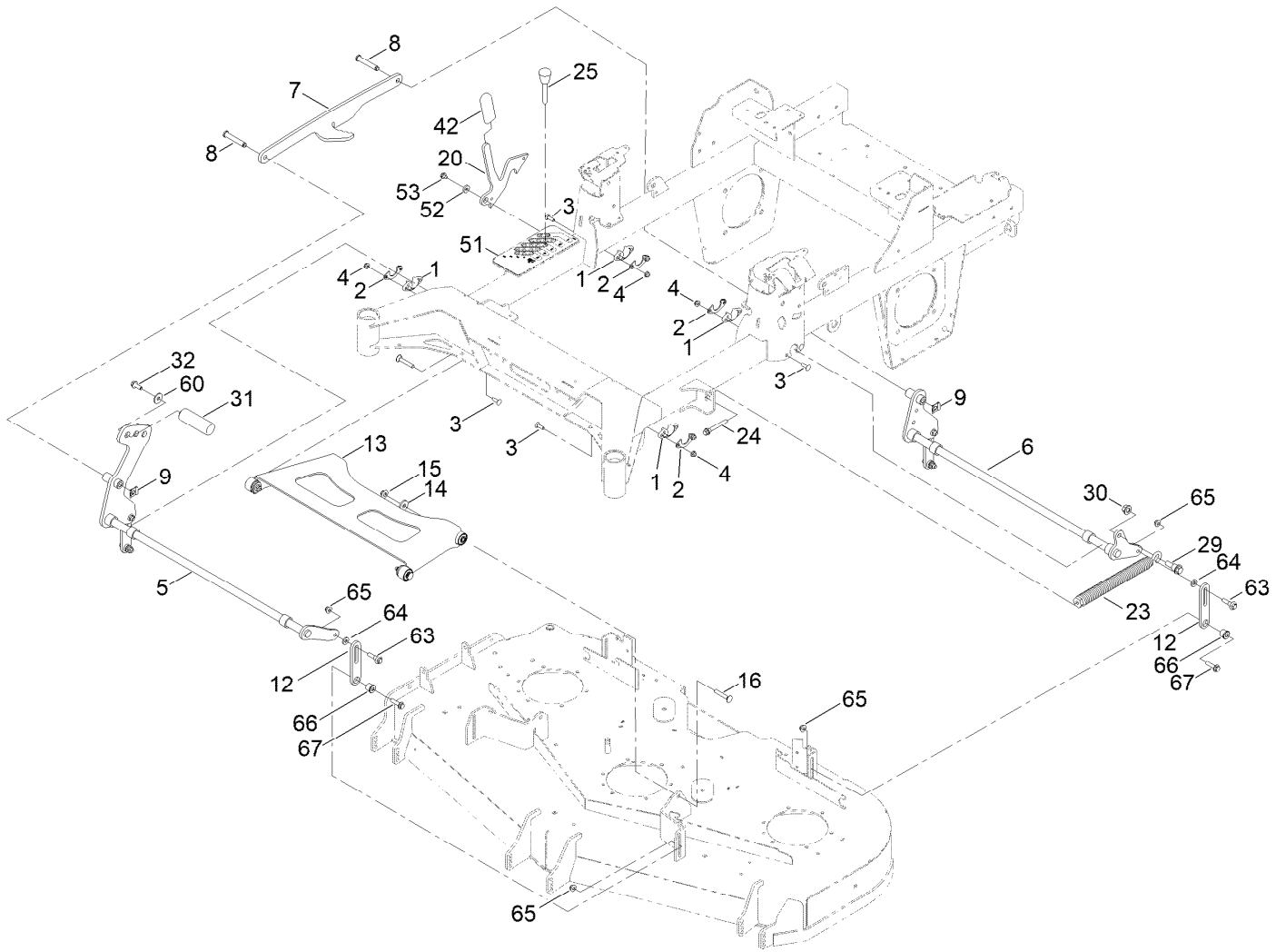
Wire Harness Assembly No. 147-2363



Wire Harness Assembly No. 147-2363 (continued)

<i>Ref.</i>	<i>Part Number</i>	<i>Qty.</i>	<i>Description</i>	<i>Ref.</i>	<i>Part Number</i>	<i>Qty.</i>	<i>Description</i>
11	116-0053	2	Cap-Plug	16	32180-176	1	Cover-Block, Fuse
12	103-3895	1	Diode	18	126-8876	1	Insulator-Battery
13	121-8867	1	Fuse-Mini Blade, 15 Amp	19	1-543393	1	Insulator-Solenoid
14	121-8868	1	Fuse-Mini Blade, 20 Amp	23	121-8869	1	Fuse-Mini Blade, 25 Amp
15	126-3991	1	Relay-Micro				

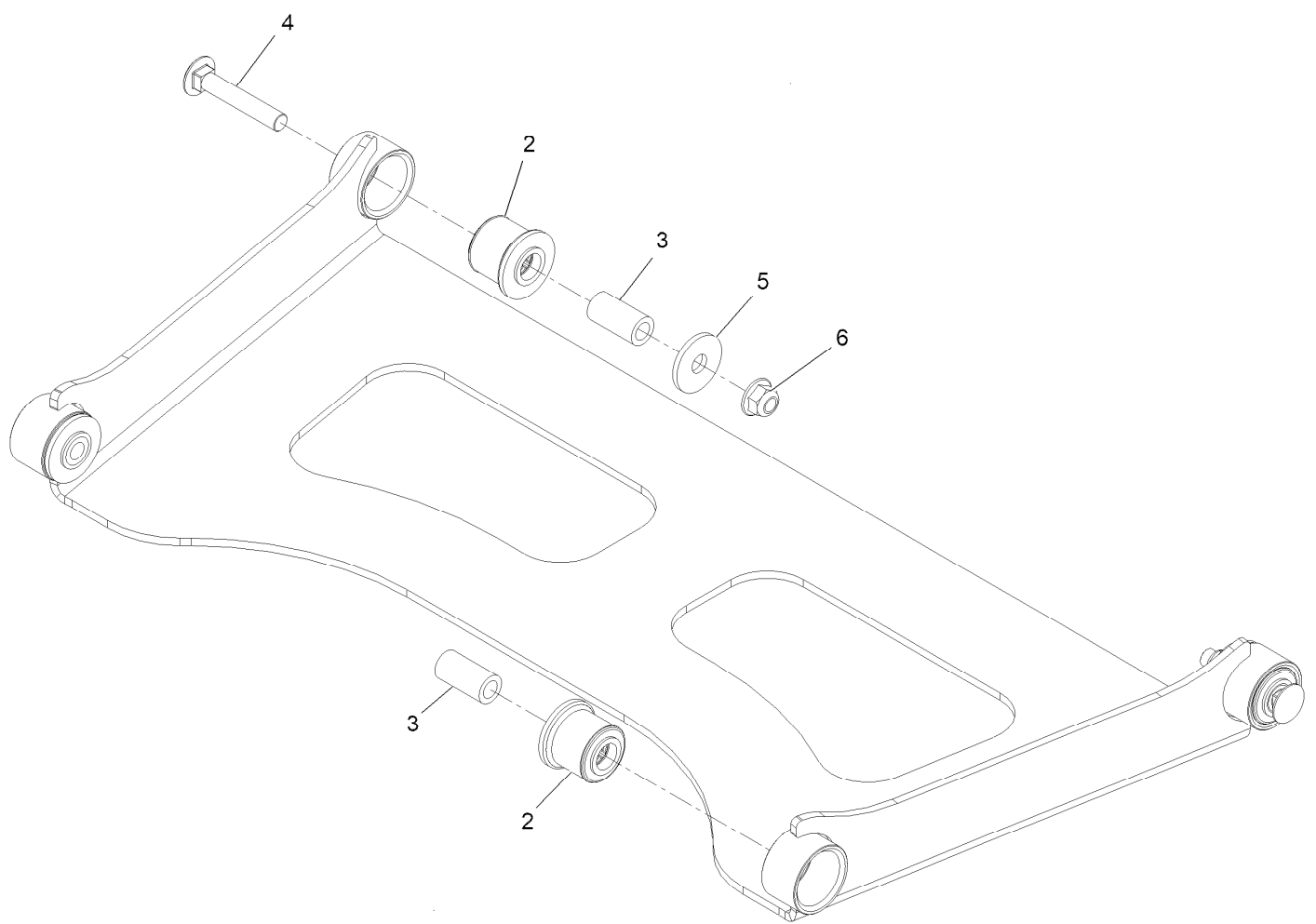
Deck Lift Assembly



Deck Lift Assembly (continued)

<i>Ref.</i>	<i>Part Number</i>	<i>Qty.</i>	<i>Description</i>	<i>Ref.</i>	<i>Part Number</i>	<i>Qty.</i>	<i>Description</i>
1	139-5872	4	Bearing-Flange	24	92-7674	1	Bolt-Shoulder
2	116-2887	4	Gusset-Lift, Deck	25	126-5401	1	Pin-HOC
3	3230-22	8	Screw-CARR	29	116-0780	1	Screw-Shoulder, HHF
4	119-4041	8	Nut-HF	30	139-1689	1	Nut-HF
5	139-8050-03	1	Front Deck Lift Shaft ASM	31	147-7949	1	Pedal-Foot Lift
6	140-4975-03	1	Shaft-Lift, Deck	32	3234-42	1	Screw-HHF
7	126-4639-03	1	Link-HOC	42	132-4749	1	Grip-Lever
8	126-9181	2	Pin-Clevis	51	139-6699	1	Decal-HOC
9	138-8491	2	Clip-Pin	52	104-7658	1	Spacer
12	161-9818-03	4	Link-Lift, Deck	53	9266934	1	Screw
13	161-6805	1	ASM-Deck Strut W/Bushings	60	2844	1	Washer
14	1-373034	2	Washer	63	130-0742	4	Bolt-Shoulder
15	109-6658	2	Nut-Flange, NI	64	43-0940	4	Spacer
16	3231-7	2	Screw-CARR	65	119-4042	8	Nut-HF, NI
20	145-8475-03	1	Plate-Transport Lock	66	161-9819	4	Bushing-Deck Lift
23	116-0886	1	Spring-Extension	67	3234-18	4	Screw-HHF

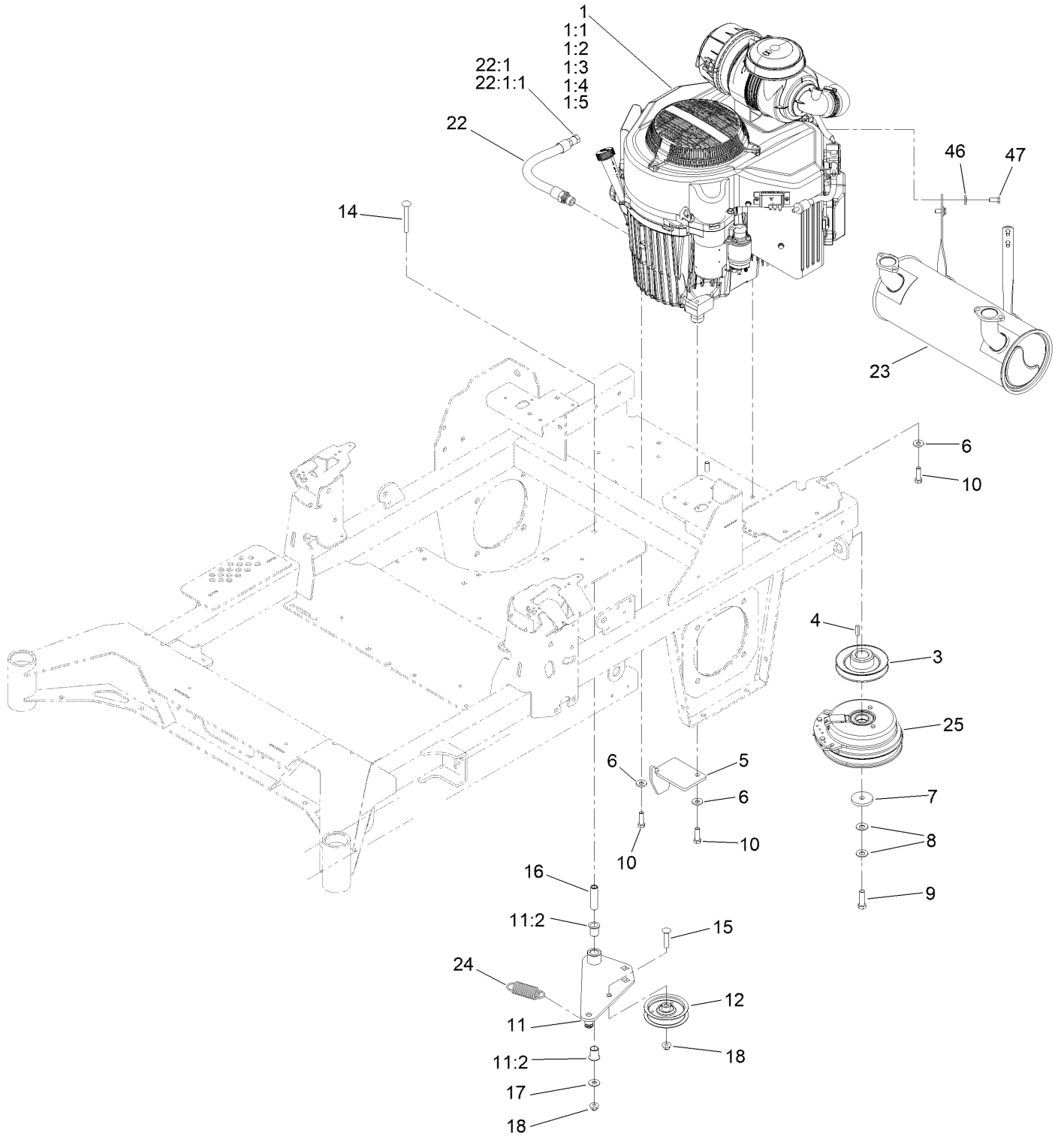
Deck Strut Assembly No. 161-6805



Deck Strut Assembly No. 161-6805 (continued)

<i>Ref.</i>	<i>Part Number</i>	<i>Qty.</i>	<i>Description</i>	<i>Ref.</i>	<i>Part Number</i>	<i>Qty.</i>	<i>Description</i>
2	126-8360	4	Bushing-Rubber, Suspension	4	3231-7	2	Bolt-Carriage 3/8-16 X 2 1/4
3	108-6544	4	Spacer	5	2844	2	Washer
				6	119-4042	2	Nut-HF, NI

Engine, Clutch and Muffler Assembly



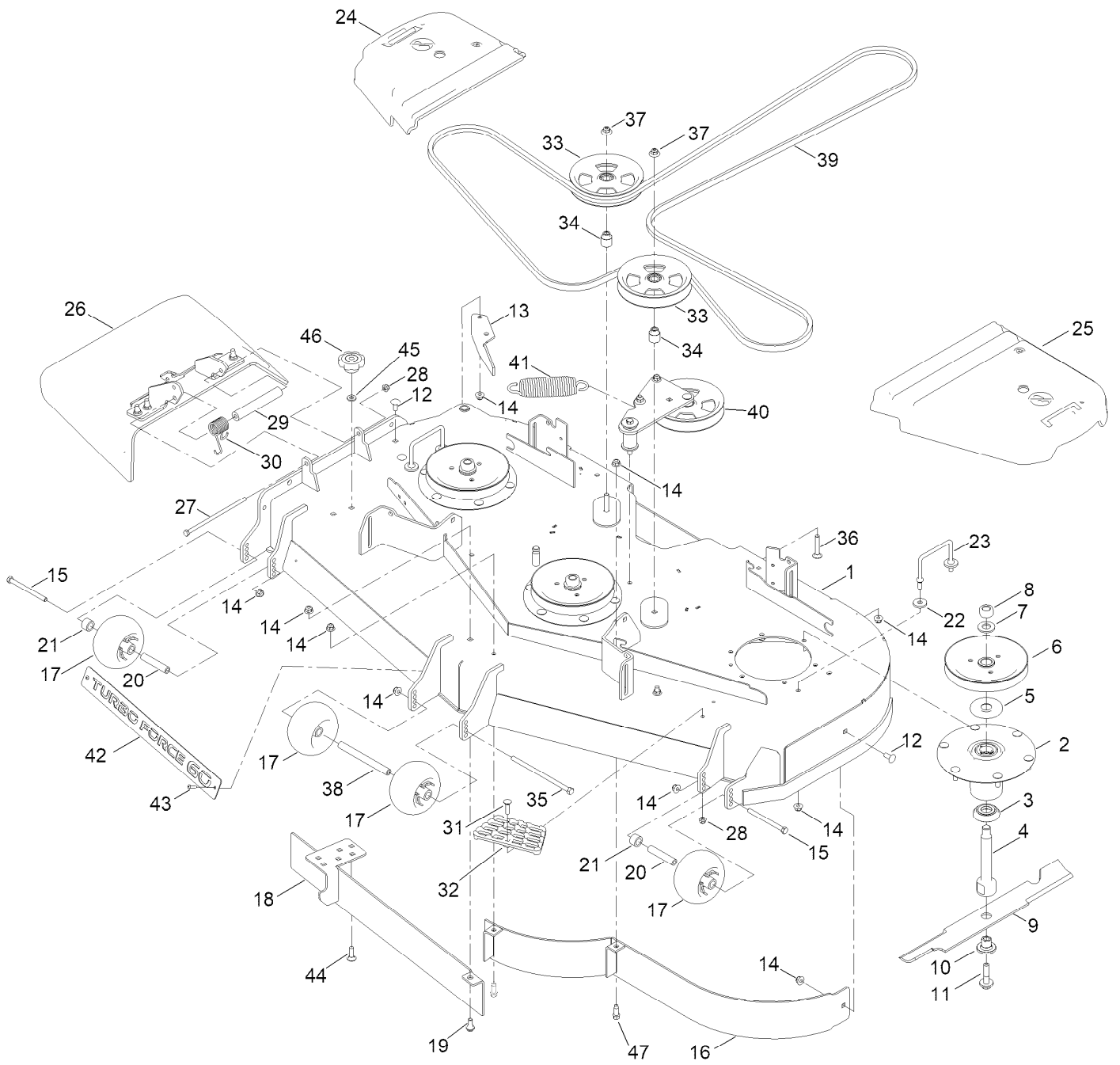
Engine, Clutch and Muffler Assembly (continued)

<i>Ref.</i>	<i>Part Number</i>	<i>Qty.</i>	<i>Description</i>	<i>Ref.</i>	<i>Part Number</i>	<i>Qty.</i>	<i>Description</i>
1		1	Engine-Kawasaki, Fx921V- _{s25-R} ■▲	11:2	138-2573	2	Bushing-Flange
1:1	KW10761	1	Filter-Oil Kaw	12	140-4964	1	Pulley-Idler, Flat
1:2	119-5944	1	Element-Filter, Air (Outer)	14	3231-42	1	Screw-CARR
1:3	119-5945	1	Element-Filter, Air (Inner)	15	3231-29	1	Screw-CARR
1:4	142-6949	1	Filter-Fuel	16	139-6690	1	Bushing, Idler Pivot
1:5	KW10676	2	Spark Plug	17	3256-4	1	Washer-Flat
3	139-6702	1	Sheave, W/Hub	18	119-4042	2	Nut-HF, NI
4	1-807259	1	Key	22	116-4924	1	Engine Oil Drain Hose ASM
5	140-1190	1	Anchor-Clutch	22:1	353-508	1	Plug-HH ●
6	98-5975	4	Washer-Belleville	22:1:1	237-42	1	O-Ring
7	109-6919	1	Washer-Plain	23	140-8002	1	Muffler
8	1-603610	2	Washer-Spring	24	1-653331	1	Spring-Idler
9	109-9761	1	Screw-HH	25	116-1604	1	Clutch
10	323-7	4	Screw-HH	46	1-303334	4	Washer-Spring
11	144-2671	1	Idler Arm ASM	47	33114-020	4	Screw-HH

● Torque to 24-26 ft-lb
▲ Obtain parts from www.kawpower.com

■ Not serviced separately

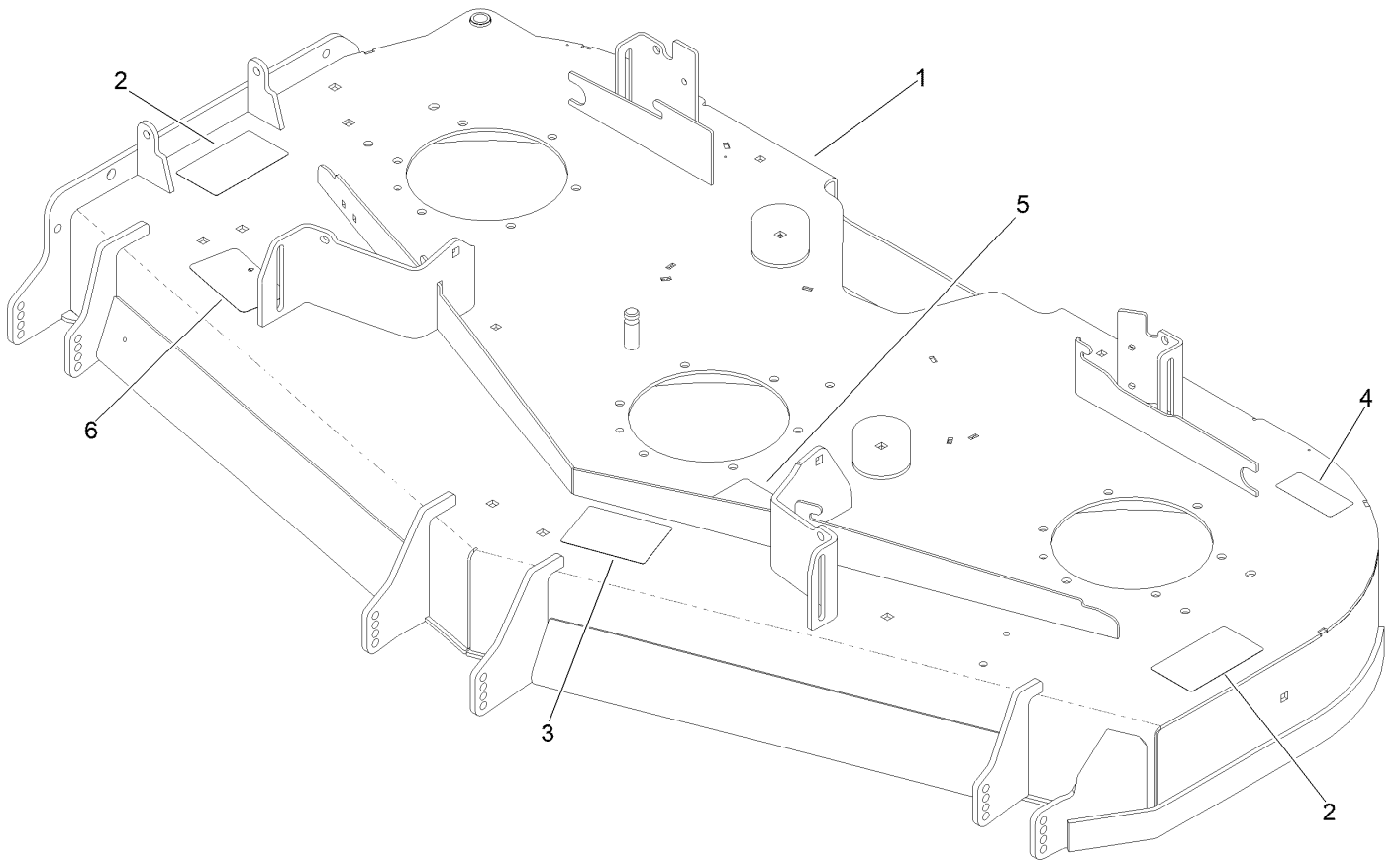
Deck Assembly



Deck Assembly (continued)

<i>Ref.</i>	<i>Part Number</i>	<i>Qty.</i>	<i>Description</i>	<i>Ref.</i>	<i>Part Number</i>	<i>Qty.</i>	<i>Description</i>
1	163-4182SP	1	Deck ASM W/Decals	25	117-7816	1	LH Belt Cover ASM
2	137-9780	3	Spindle ASM	2	117-3824	1	Plug-Plastic
3	137-9784	3	Guard-Bottom	26	144-2635	1	Rubber Deflector ASM
4	138-6045	3	Shaft-Spindle	27	322-50	1	Screw-HH
5	103-1330	3	Guard-Bearing, Top	28	119-4041	2	Nut-HF
6	138-6059	3	Sheave-Drive, Blade	29	105-4622	1	Spacer
7	103-2802	3	Washer	30	108-4052	1	Spring-Torsion
8	116-7306	3	Nut-Hex	31	3230-3	1	Screw-CARR
9	140-1240	3	Blade	32	126-4781-03	1	Step-Deck
10	137-9787	3	Bushing-Hex	33	132-9424	2	Pulley-Idler, Flat
11	109-9220	3	Screw-Sems	34	139-8061	2	Bushing, Idler
12	3231-27	4	Screw-CARR	35	161-6360	1	Screw-HF
13	106-3216-01	1	Baffle-Discharge	36	3231-7	2	Screw-CARR
14	119-4042	32	Nut-HF, NI	37	109-6658	2	Nut-Flange, NI
15	323-23	2	Screw-HH	38	98-5967	1	Spacer-Wheel
16	114-5842-01	1	Baffle	39	163-7384	1	Belt-5V
17	1-603299	4	Roller-Scalp, Anti	40	139-1087	1	Idler Arm ASM
18	147-7844-01	1	Baffle	41	116-6317	1	Spring-Extension
19	94-7582	1	Bolt-Shoulder	42	147-4631-03	1	Plate-Turbo Force
20	133-2129	2	Tube-Shafting	43	130-8451	2	Rivet-Trifold
21	133-2128	2	Tube-Spacer	44	3231-25	1	Bolt-CARR
22	1-373034	4	Washer	45	100-4852	1	Washer-Hardened
23	109-6982	2	Wireform-Cover	46	109-1092	1	Knob
24	117-7815	1	RH Belt Cover ASM	47	92-1624	2	Screw-HWH Thd Form
2	117-3824	1	Plug-Plastic				

Deck Decal Assembly No. 163-4182SP



Deck Decal Assembly No. 163-4182SP (continued)

<i>Ref.</i>	<i>Part Number</i>	<i>Qty.</i>	<i>Description</i>	<i>Ref.</i>	<i>Part Number</i>	<i>Qty.</i>	<i>Description</i>
1		1	Deck ASM W/Decals ●	4	116-8283	1	Decal-Torque, Bolt
2	161-6620	2	Decal-Danger, Deck	5	109-6035	1	Decal-Routing, Belt
3	127-0326	1	Decal-Scalp, Anti	6	145-8411	1	Decal-Adjustable Baffle

● Not serviced separately

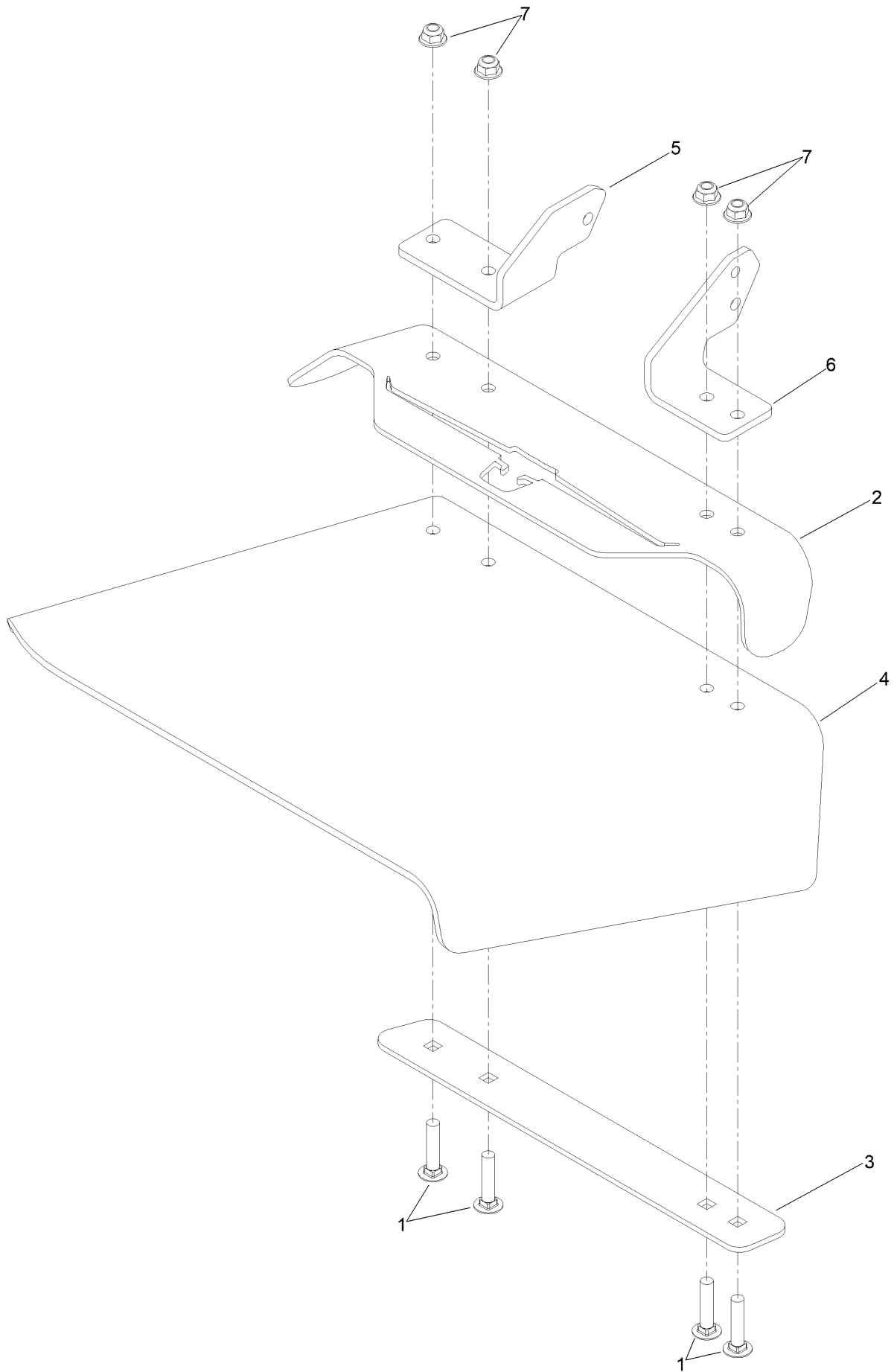
Spindle Assembly No. 137-9780



Spindle Assembly No. 137-9780 (continued)

<i>Ref.</i>	<i>Part Number</i>	<i>Qty.</i>	<i>Description</i>
2	116-0720	2	Bearing-Ball
3	138-6042	1	Spacer-Bearing

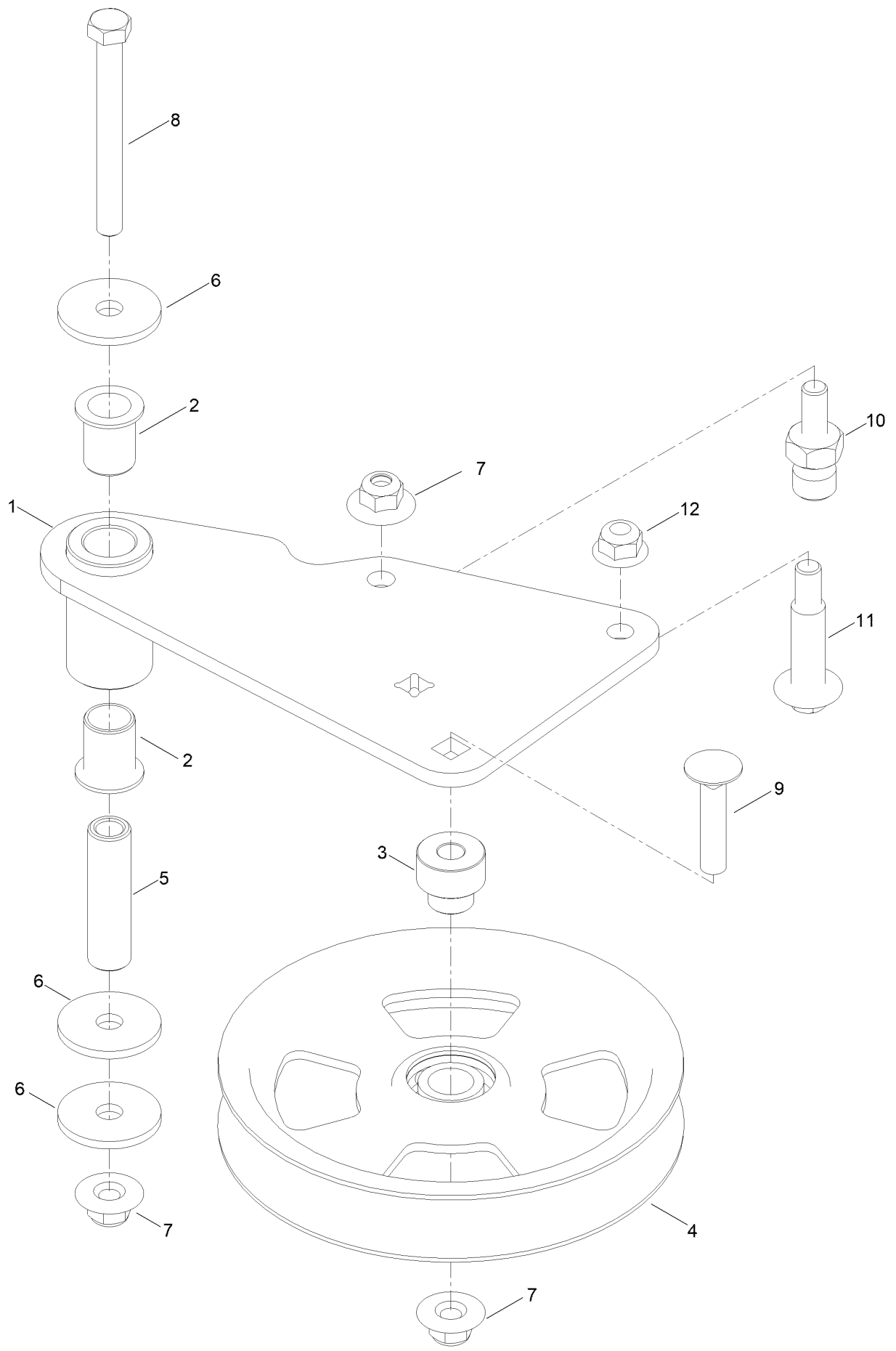
Deflector Assembly No. 144-2635



Deflector Assembly No. 144-2635 (continued)

<i>Ref.</i>	<i>Part Number</i>	<i>Qty.</i>	<i>Description</i>	<i>Ref.</i>	<i>Part Number</i>	<i>Qty.</i>	<i>Description</i>
1	3231-5	4	Screw-CARR	5	108-4059-01	1	Plate-Hinge, Rear
2	161-9815-01	1	Plate-Deflector Mount	6	106-3253-01	1	Plate-Hinge, Front
3	106-3248-03	1	Strap-Discharge	7	119-4042	4	Nut-HF, NI
4	161-3464	1	Deflector-Deck, Rubber				

Idler Arm Assembly No. 139-1087



Idler Arm Assembly No. 139-1087 (continued)

<i>Ref.</i>	<i>Part Number</i>	<i>Qty.</i>	<i>Description</i>	<i>Ref.</i>	<i>Part Number</i>	<i>Qty.</i>	<i>Description</i>
1	139-1086	1	Idler Arm ASM	7	109-6658	3	Nut-Flange, NI
2	138-2573	2	Bushing-Flange	8	323-15	1	Screw-HH
3	139-8060	1	Bushing, Idler	9	3231-5	1	Screw-CARR
4	132-9424	1	Pulley-Idler, Flat	10	132-4729	1	Anchor-Spring, Short
5	139-6690	1	Bushing, Idler Pivot	11	136-9028	1	Bolt-Shoulder, HWH
6	1-213069	3	Washer	12	119-4042	1	Nut-HF, NI

Attachments and Accessories

For 74016 — 60in Z Master 4000 Series Riding Mower

Product Name	Model/Part
HYPR-OIL 500 (quart)	114-4713
HYPR-OIL 500 (gallon).....	114-4714
HYPR-OIL 500-5 (5 gallon).....	114-4715
Spark Arrestor	117-3281
Jack Kit With Adapter, Zero-Turn-Radius Side-Discharge or Rear-Discharge Riding Mower.....	126-7282
Jack Kit Adapter, Zero-Turn-Radius Side-Discharge or Rear-Discharge Riding Mower.....	126-7283
Striper Kit.....	126-7882
Jack Kit.....	127-6666
Tweel-Turf Tire.....	139-3649
Recycler Kit	139-6655
Blade-20.5 High Flow	140-1240
Blade-20.50 Atomic	140-1241
Blade-20.50 Medium Flow	140-4853
Blade-20.50, Low Flow	140-4854
Blade-20.50 Recycler	140-4855
6 Pack-Blade, 20.5 High Flow.....	140-4877
6 Pack-Blade, 20.5 Med Flow	140-4878
6 Pack-Blade, 20.5 Low Flow	140-4879
6 Pack-Blade, 20.5 Atomic.....	140-4880
6 Pack-Blade, 20.5 Recycler.....	140-4881
Trimmer Mount	144-2665
Jack Mount Kit.....	144-2676
Hardtop Sun Canopy	144-3719
60" Chute Gate Kit.....	144-6572
Handle Extension Kit	145-3615
Asm-Voodoo Trac 24x12-12	147-5031
Blade-20.50 High Flow	147-6252
6 Pack-Blade, 20.50 High Flow.....	147-6256
13x6.5n6 Caster Tweel Asm.....	147-6294
Bucket Mount Kit, Z Master 2000 or 4000 Series Riding Mower	147-6345
Universal Mount Kit, Z Master 2000 or 4000 Series Riding Mower	147-6346
Electric Deck Lift Kit.....	147-7867
2in Reciever Hitch Kit.....	161-2810
Actuator Replacement Kit,412200557 Below	161-3549
Electric Deck Lift Actuator Replacement Kit, SN 412200557 Below	161-3550
Fuel Pickup with Screen Kit	161-6806
Front Light Kit	163-7395
Bagger Kit, Z Master 2000 / 4000	78439
Z 4000 60in Completion Kit.....	78466
4000 Hdx 60in Ez Vac Dfs Bagger	78468
4000 Hdx 60in Ez Vac Triple Soft Bagg.....	78479
Blower and Drive Kit	78553

Notes:

Notes:

Notes:



Count on it.