



Count on it.

Parts Catalog

Reelmaster® 3100-D

Traction Unit

Model No. 03170—Serial No. 420600000 and Up



Ordering Replacement Parts

To order replacement parts, please supply the part number, the quantity, and the description of each part desired.

Understanding Reference Numbers

Each identified part in an illustration has a reference number. The reference number for a part also appears in the parts list, along with other information about the part.

This catalog uses two special reference number formats, one to indicate parts in a service assembly and another to indicate the quantity of a given part in an illustration.

Service Assembly Reference Numbers

Parts in service assemblies have reference numbers in the form a:b. The a represents the reference number of the entire service assembly and the b represents a sequential number unique to each part within the service assembly.

For example, a wheel assembly might be identified by reference number 6, the tire by 6:1, the valve by 6:2, and the wheel by 6:3. When you order the assembly identified by reference number 6, you receive all parts identified by reference numbers 6:1, 6:2, and 6:3. However, you may also order any part individually. Reference numbers of this type appear in illustration and in parts lists.

Reference Numbers Indicating Quantity

In an illustration, if a reference number indicates more than one part, the reference number has the form nX y. The n represents the quantity of the part, the X is the multiplication symbol, and the y represents the reference number.

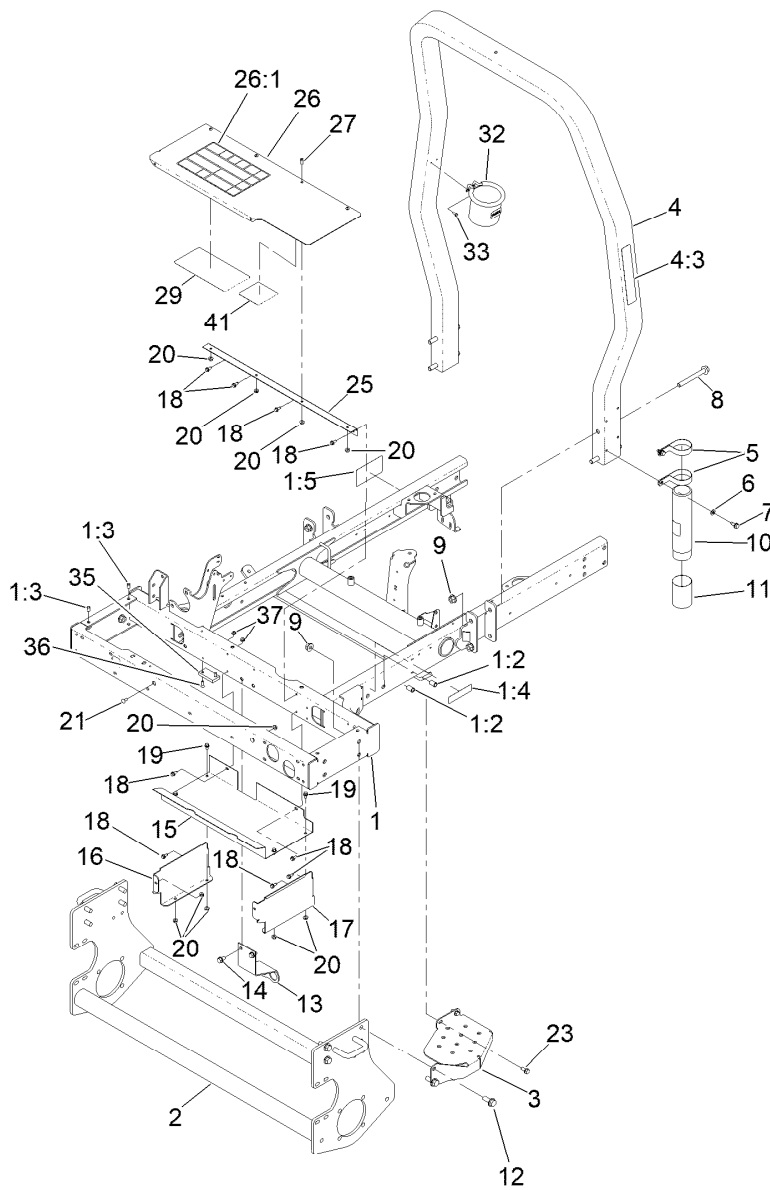
For example, in an illustration, the reference number 2X 37 means that two of the parts identified by reference number 37 are indicated.

Contents

Frame and Roll-Over Protection System Assembly	5
Battery Tray and Cover Assembly	6
Engine and Air Cleaner Assembly	7
Air Cleaner Assembly No. 93-2190	8
Muffler, Muffler Guard and Engine Mount Assembly	9
Radiator Assembly	10
Lift Arm Mount Assembly	11
Rear Lift Arm Assembly	12
Fuel System Assembly	13
Control Panel Assembly	15
Seat Assembly	17
Seat and Track Assembly No. 139-2679	18
Seat Assembly No. 139-2700	19
Steering Column Assembly	20
Steering Valve Assembly No. 121-7856	21
Pedal Assembly	22
Footplate Assembly	24
Hood Assembly	25
Hydraulic Drive and Wheel Assembly	26
Hydraulic Motor Assembly No. 110-8786	27
Hydraulic Motor Assembly No. 110-8785	28
Brake Assembly No. 104-7705	29
Rear Fork and Tire Assembly	30
Hydraulic Motor Assembly No. 95-8694	31
Hydraulic Cylinder Assembly No. 121-3653	32
Tandem Hydraulic Pump Assembly	33
Hydraulic Pump Assembly No. 104-4890	34
Gear Pump Assembly No. 136-3743	36
Tandem Pump Mount Assembly	37
Traction and Steering Circuit Assembly	38
Lift Circuit Assembly	39
Hydraulic Cylinder Assembly No. 112-9916	40
Hydraulic Cylinder Assembly No. 117-5109	41
Hydraulic Mow Circuit Assembly	42
Gear Motor Assembly No. 115-8250	44
Optional Tool Assembly	45
Wire Harness and Battery Assembly	46
Hydraulic Tank Assembly	47
Hydraulic Manifold Assembly No. 163-2623	49
Control Valve Assembly	50
Single Spool Control Valve Assembly No. 95-8689	51
Crankcase Assembly	52
Oil Pan and Dipstick Assembly	53
Cylinder Head Assembly	54
Gear Case and Oil Filter Cartridge Assembly	55
Cylinder Head Cover Assembly	56
Main Bearing Case Assembly	57
Camshaft and Idle Gear Shaft Assembly	58
Piston and Crankshaft Assembly	59
Fuel Camshaft and Governor Shaft Assembly	60
Idle Apparatus Assembly	61
Stop Solenoid and Fuel Pump Cover Assembly	62
Injection Pump Assembly	63
Governor Assembly	64

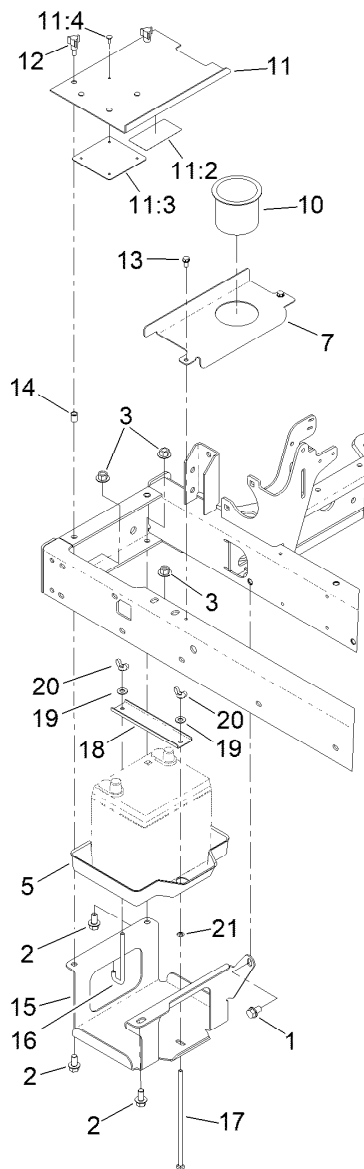
Contents (continued)

Speed Control Plate Assembly	65
Nozzle Holder and Glow Plug Assembly	66
Nozzle Holder Assembly	67
Alternator, Pulley and Fan Assembly	68
Alternator Components Assembly	69
Starter and Flywheel Assembly	70
Starter Component Assembly	71
Water Flange and Thermostat Assembly	72
Water Pump and Water Pipe Assembly	73
Valve and Rocker Arm Assembly	74
Inlet and Exhaust Manifold Assembly	75
Miscellaneous Engine Parts	76
Upper Gasket Kit	77
Lower Engine Gasket Kit	78
Attachments and Accessories	79



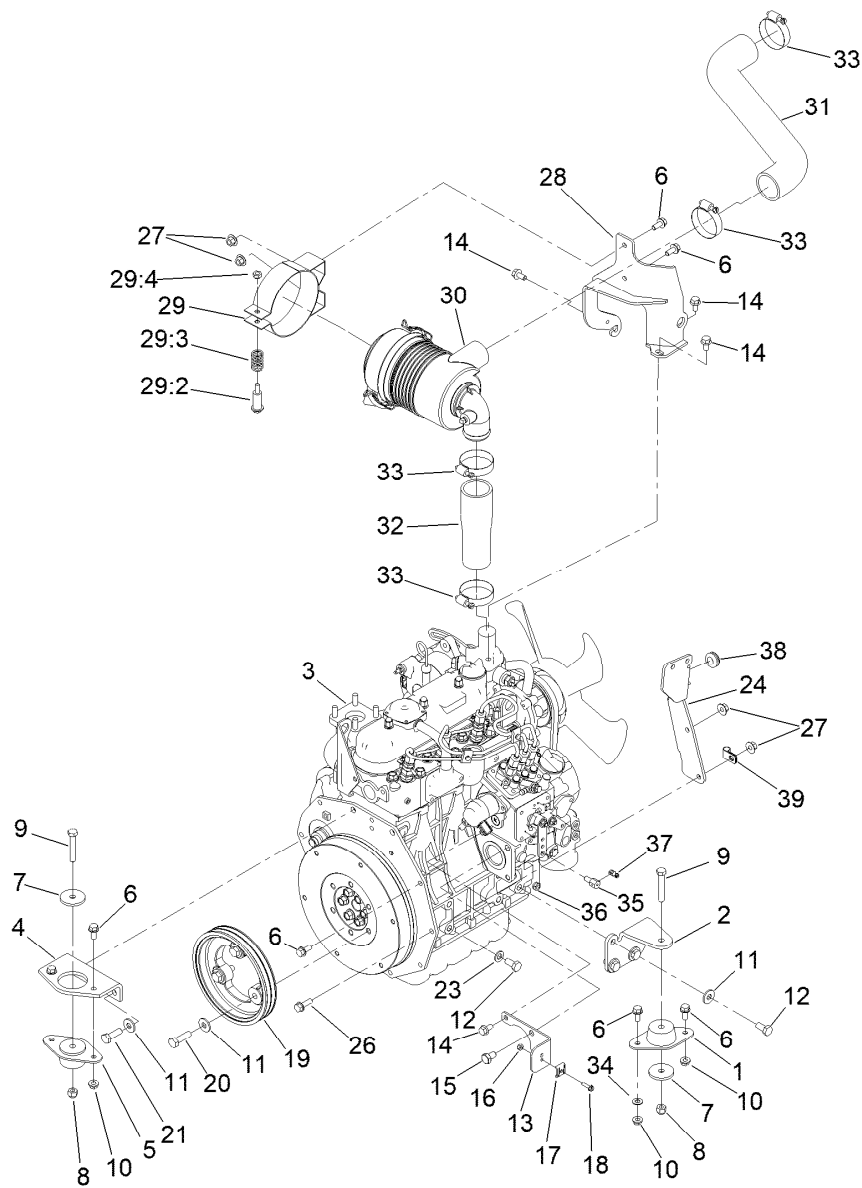
Frame and Roll-Over Protection System Assembly

Ref.	Part Number	Qty.	Description	Ref.	Part Number	Qty.	Description
1	121-3639	1	Frame ASM W/Decals	15	99-3430-0P	1	Bottom - Toolbox *b
1:2	32148-8	2	Nut-Clinch	16	99-3431-0P	1	End - Toolbox, RH *b
1:3	32148-6	2	Nut-Clinch	17	99-3432-0P	1	End - Toolbox, LH *b
1:4	133-8062	1	Decal-Spark Arrestor	18	32144-10	9	Screw-HWH
1:5	117-3270	2	Decal-Danger	19	3234-13	4	Screw-HHF
2	95-8568-03	1	Frame-Lower	20	32128-33	10	Nut-HF
3	99-3375-03	1	Step	21	3229-11	2	Screw-CARR
4	127-8493	1	ROPS ASM	23	3234-5	2	Screw-HHF
4:3	136-3702	1	Decal-Safety, ROPS	25	121-7921	1	Hinge
5	2412-133	2	Clamp-R	26	163-2628	1	Toolbox Cover ASM
6	3256-23	2	Washer-Plain	26:1	121-3623	1	Decal-Danger
7	32144-70	2	Screw-HWHTF	27	119-6906	4	Screw-HSBH
8	117-3176	4	Screw-HHF	29	136-3716	1	Decal-Service
9	32128-49	12	Nut-HHF	32	161-8355	1	Cup Holder ASM
10	104-7050	1	Tube-Manual	33	32144-1	2	Screw-Tapite
11	104-7048	1	Cap-Housing	35	95-8684	1	Pad-Bumper
12	3234-38	8	Screw-HHF	36	3289-4	2	Screw-FH
13	115-3417-0P	1	Bracket-Bulkhead, Scissor	37	104-7201	2	Nut-HF, NI
14	32144-15	2	Screw-HHFTF	41	147-6069	1	Decal-Reel Speed



Battery Tray and Cover Assembly

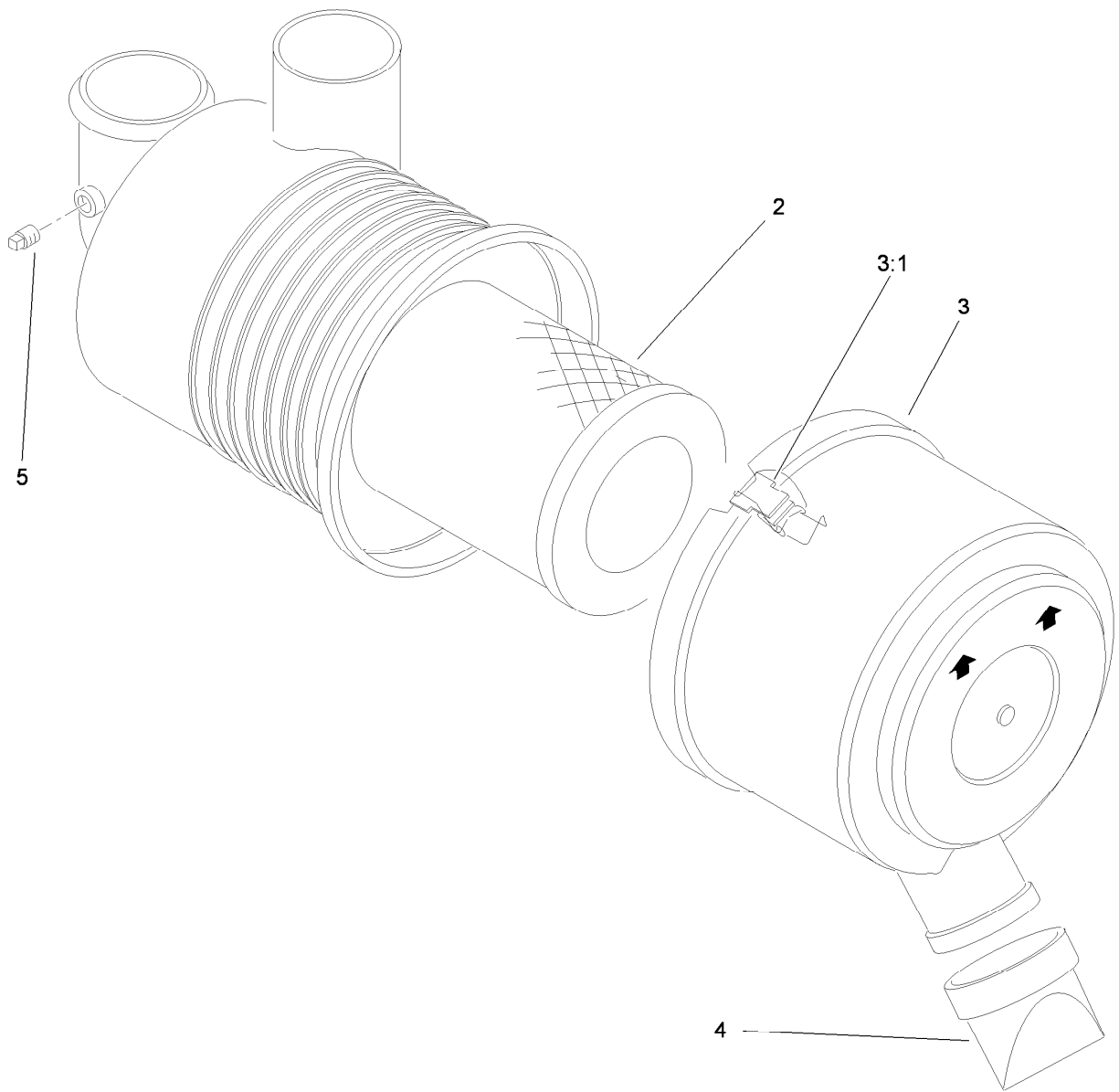
<i>Ref.</i>	<i>Part Number</i>	<i>Qty.</i>	<i>Description</i>	<i>Ref.</i>	<i>Part Number</i>	<i>Qty.</i>	<i>Description</i>
1	32144-15	1	Screw-HHFTF	12	233-70	2	Knob-Star, Three
2	3234-1	3	Screw-HHF	13	32144-4	2	Screw-HWH
3	32128-43	3	Nut-Flange	14	32148-6	2	Nut-Clinch
5	163-3526	1	Tray-Battery	15	163-3537-0P	1	Support-Battery
7	95-8817-01	1	Cover-Battery, Inner	16	163-3516	1	Post-Clamp, Battery
10	94-1410	1	Holder-Can, Beverage	17	137-8106	1	Screw-CARR
11	99-3602	1	Battery Cover ASM	18	163-3515-0P	1	Channel-Clamp, Battery
11:2	93-7276	1	Decal-Danger	19	3256-23	2	Washer-Plain
11:3	87-7620	1	Shield-Terminal, Battery	20	32103-22	2	Nut-Wing
11:4	3269-27	4	Rivet-Snap	21	32115-15	1	Nut-Push



Engine and Air Cleaner Assembly

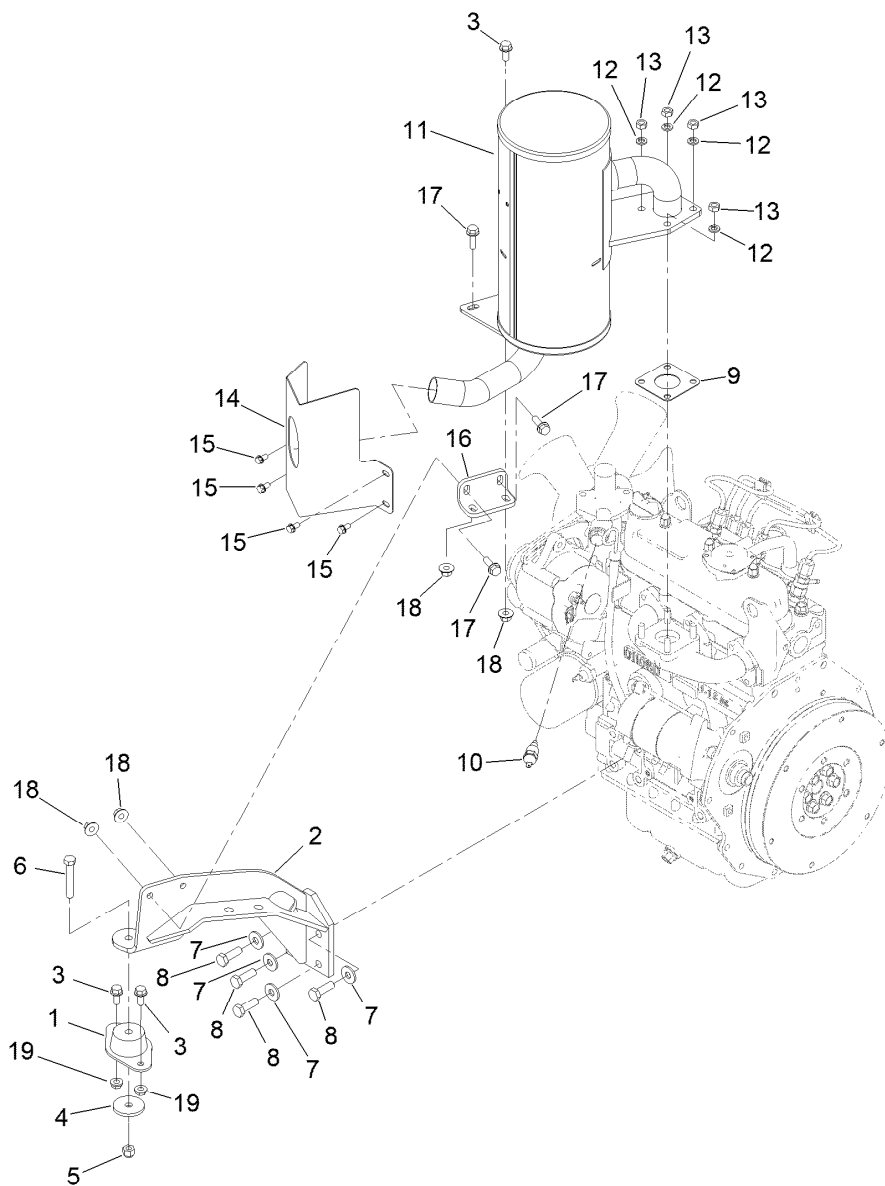
Ref.	Part Number	Qty.	Description
1	121-9076	1	Mount-Engine
2	95-8937-0P	1	Mount-Engine, LH
3	138-6905	1	Engine-Kubota, D1105
4	95-8926-0P	1	Mount - Engine, Front
5	93-5265	1	Mount-Engine
6	3234-5	5	Screw-HHF
7	80-8560	2	Washer-Hardened
8	3296-39	2	Nut-Lock, NI
9	323-11	2	Screw-HH
10	32128-20	4	Nut-HF
11	80-6990	7	Washer-Hardened
12	63-7790	4	Screw-Cap
13	110-9009-0P	1	Bracket-Cable, Throttle
14	33104-016	4	Screw-HHF
15	70-8470	1	Screw-HH
16	3296-2	1	Nut-Lock, NI
17	81-1690	1	Clamp-Cable
18	32105-13	1	Screw-HWH
19	99-3412	1	Pulley
20	56-2140	3	Screw-HH
21	95-8812	1	Screw-HH

Ref.	Part Number	Qty.	Description
23	33095-00	1	Washer-Flat
24	115-3487-0P	1	Bracket-Mount, Fuel Filter
26	3234-17	3	Screw-HHF
27	32128-44	4	Nut
28	136-3154-0P	1	Bracket-Cleaner, Air
29	93-2191	1	Air Cleaner Mounting Band ASM
29:2	94-3653	1	Bolt
29:3	94-3654	1	Spring
29:4	33024-00	1	Nut-Lock, NI
30	93-2190	1	Air Cleaner ASM
31	95-8946	1	Hose-Upper, Air Inlet
32	95-8947	1	Hose-Air Inlet, Lower
33	2412-92	4	Clamp-Hose
34	120-9683	1	Washer-Plain
35	98-9311	1	Swivel-Throttle
36	3296-20	1	Nut-Lock, NI
37	112-9919	1	Stop-Cable, Throttle
38	1-543296	1	Grommet
39	2412-138	1	R-Clamp



Air Cleaner Assembly No. 93-2190

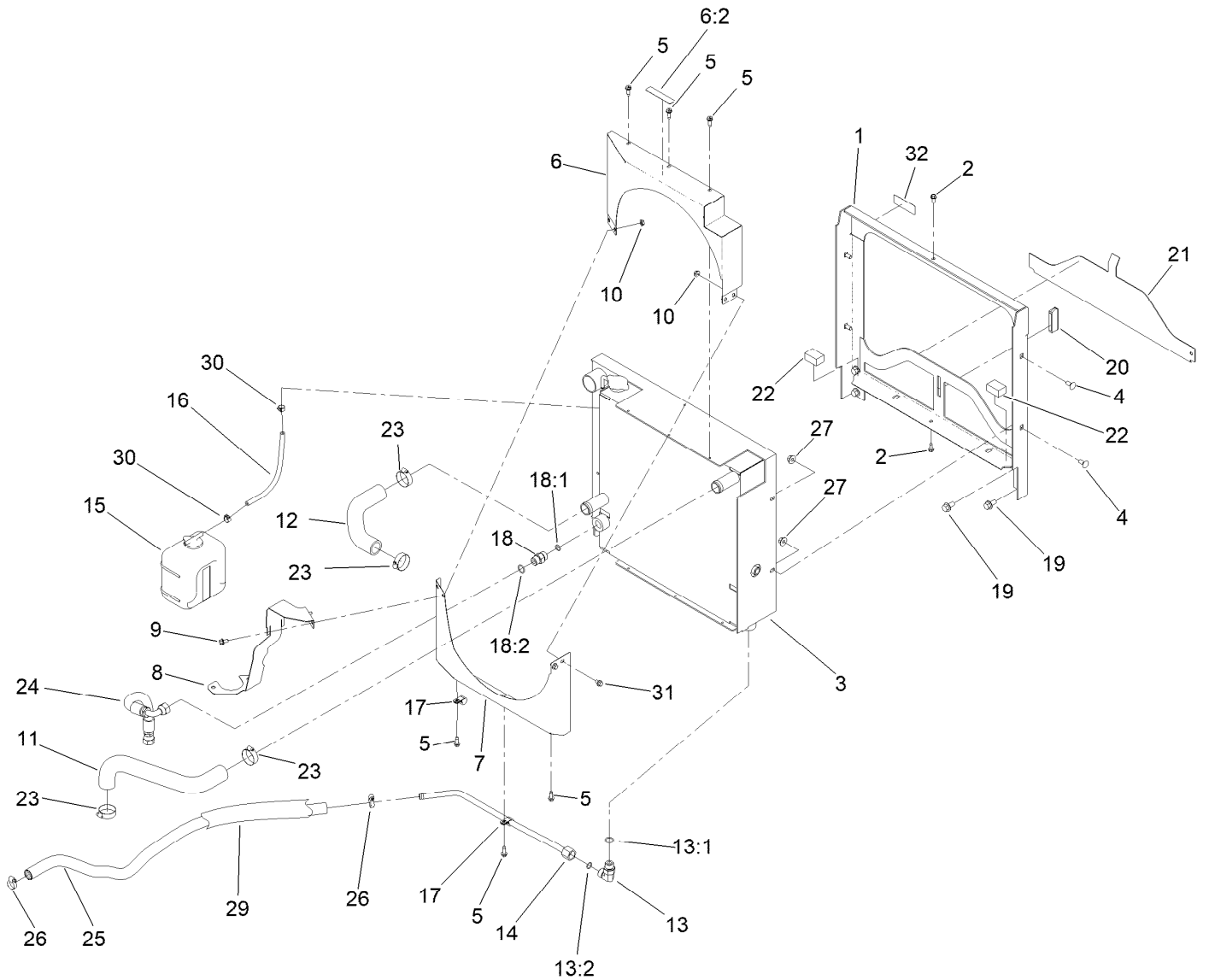
<i>Ref.</i>	<i>Part Number</i>	<i>Qty.</i>	<i>Description</i>
2	108-3811	1	Filter-Air V-Twin HD
3	94-3652	1	Cover ASM
3:1	1-643283	2	Latch-Cleaner, Air
4	87-9400	1	Valve-Vacuator
5	285-17	1	Plug-Pipe



Muffler, Muffler Guard and Engine Mount Assembly

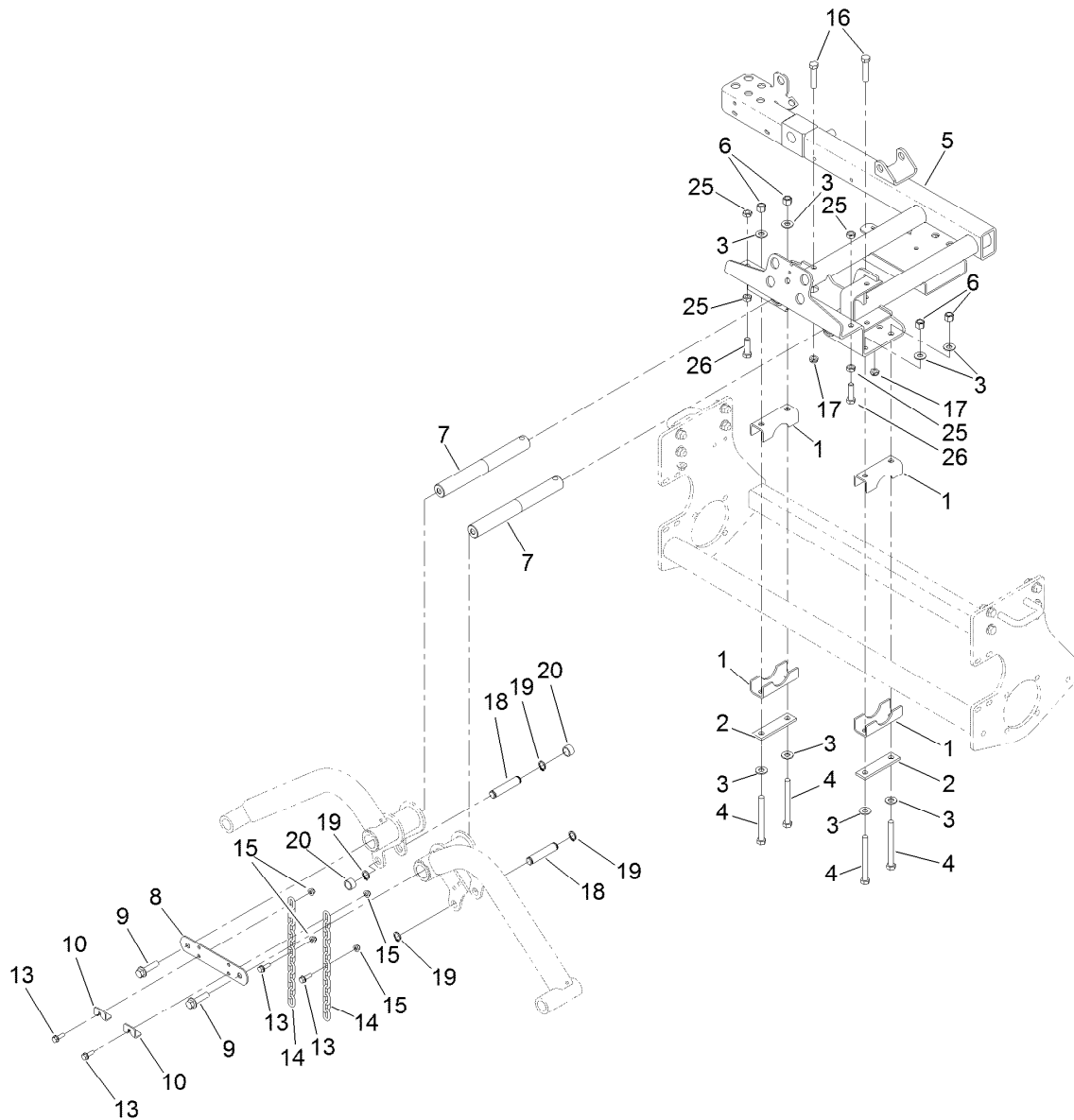
Ref.	Part Number	Qty.	Description
1	121-9076	1	Mount-Engine
2	100-4838-0P	1	Mount-Engine
3	3234-5	3	Screw-HHF
4	80-8560	1	Washer-Hardened
5	3296-39	1	Nut-Lock, NI
6	323-11	1	Screw-HH
7	80-6990	4	Washer-Hardened
8	95-8812	4	Screw-HH
9	98-9611	1	Gasket
10	106-7772	1	Thermoswitch

Ref.	Part Number	Qty.	Description
11	139-6013	1	Muffler
12	3253-4	4	Washer-Lock
13	33014-00	4	Nut-Hex
14	140-7428-03	1	Guard-Exhaust
15	32144-4	4	Screw-HWH
16	95-8943-0P	1	Bracket-Muffler
17	3234-17	3	Screw-HHF
18	32128-44	4	Nut
19	32128-20	2	Nut-HF



Radiator Assembly

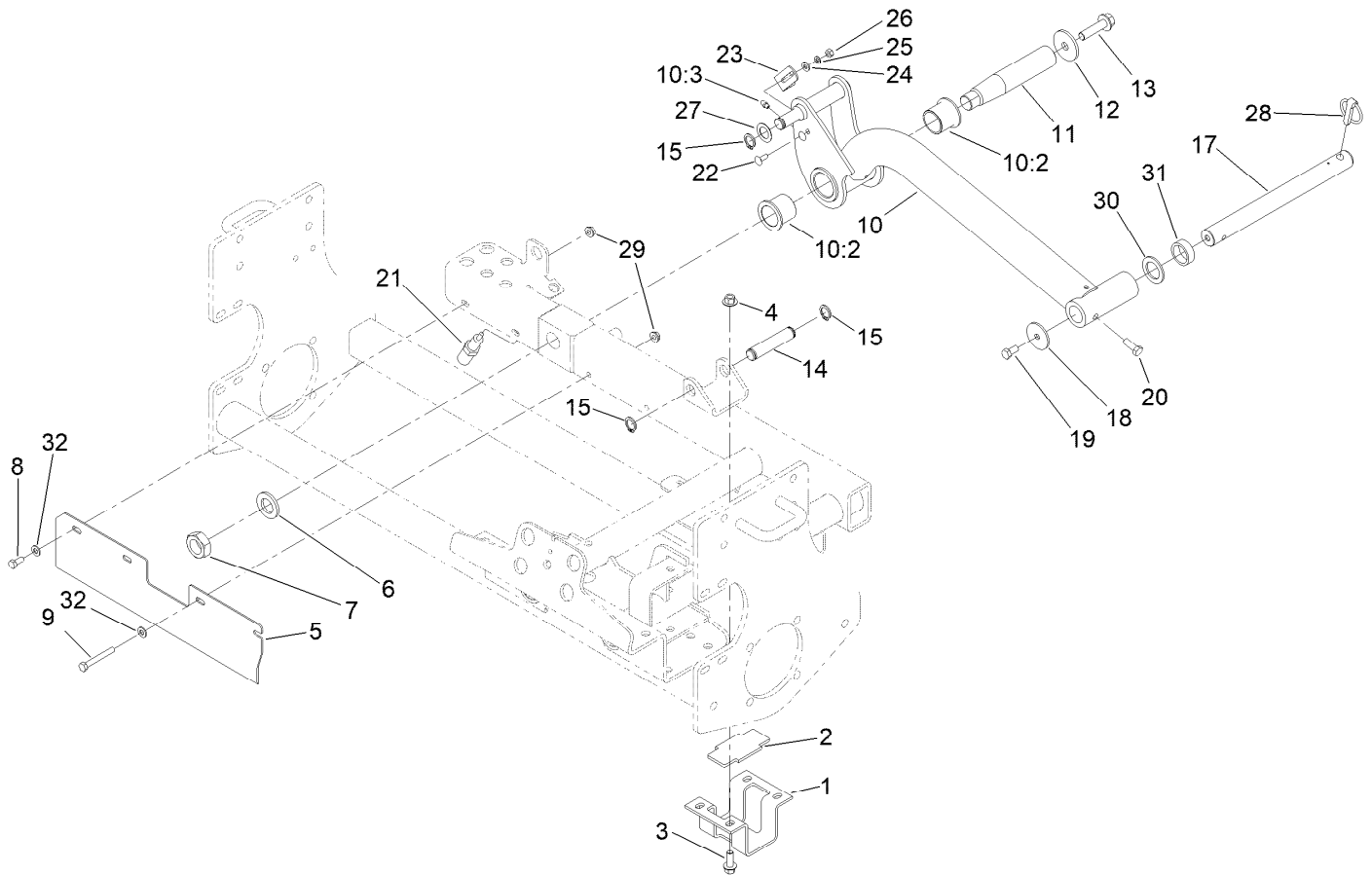
Ref.	Part Number	Qty.	Description	Ref.	Part Number	Qty.	Description
1	100-4903-0P	1	Radiator Frame ASM	16	110-4105	1	Hose-Fuel
2	119-2038	2	Screw-HWH	17	2412-73	2	Clamp-R
3	120-3392	1	Radiator/Oil Cooler	18	340-4	1	Fitting-Straight
4	3230-1	4	Bolt-CARR	18:1	237-30	1	O-Ring
5	32104-95	6	Screw-HWH	18:2	237-79	1	O-Ring
6	121-3584	1	Shroud-Fan, Top	19	3234-1	4	Screw-HHF
6:2	93-6681	1	Decal-Warning, Fan	20	99-3497	1	Magnet
7	121-6254-0P	1	Shroud-Fan, Bottom	21	95-8702-0P	1	Shield-Radiator, Lower
8	121-3604-0P	1	Bracket-Mounting, Reservoir	22	95-8962	2	Seal-Foam, Radiator
9	3234-13	2	Screw-HHF	23	2412-34	4	Clamp-Hose
10	32128-33	4	Nut-HF	24	104-2806	1	Hose-HYD
11	121-3571	1	Hose-Radiator, Upper	25	93-6804	1	Hose
12	119-6748	1	Hose-Radiator, Lower	26	2412-36	2	Clamp-Hose
13	340-98	1	Fitting-Elbow, 90 DEG	27	3296-29	4	Nut-Lock, NI
13:1	237-79	1	O-Ring	29	56-7985	1	Sleeve-Protective
13:2	237-30	1	O-Ring	30	92-2379	2	Clamp-Hose
14	147-6083	1	Hydraulic Tube ASM	31	3234-26	2	Screw-HHF
15	108-0638	1	Bottle-Overflow	32	125-6688	1	Decal-Danger, Starter Fluid



Lift Arm Mount Assembly

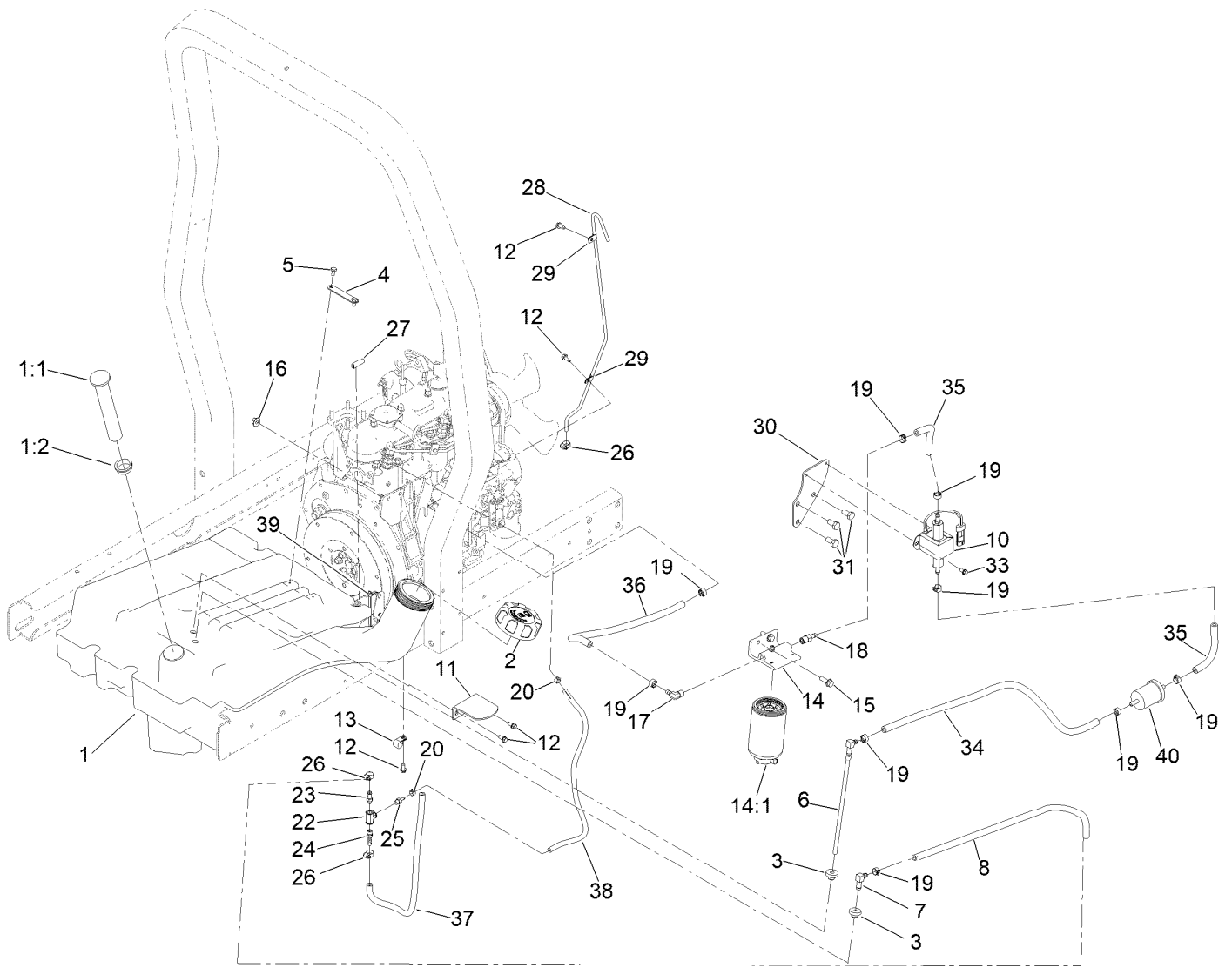
<i>Ref.</i>	<i>Part Number</i>	<i>Qty.</i>	<i>Description</i>	<i>Ref.</i>	<i>Part Number</i>	<i>Qty.</i>	<i>Description</i>
1	95-8884	4	Clamp	14	98-7981	2	Chain-Link, Straight
2	99-3373	2	Bar-Support, Slide	15	119-4041	4	Nut-HF
3	87-7270	8	Washer-Thrust	16	325-10	2	Screw-HH
4	325-19	4	Screw-HH	17	3296-45	2	Nut-Hex
5	100-4930-03	1	Carrier ASM	18	95-8575	2	Pin-Clevis
6	3296-23	4	Nut-Lock, NI	19	32120-93	4	Ring-Retaining
7	95-8531	2	Shaft-Pivot, Liftarm	20	75-9590	2	Spacer-Cylinder
8	95-8532-03	1	Link-Shaft, Pivot	25	3218-5	4	Nut-Jam
9	3234-27	2	Screw-HHF	26	325-7	2	Screw-HH
10	99-3550	2	Clip-Link	27	3290-378	1	Tie-Cable ●
13	3234-17	4	Screw-HHF				

● Not illustrated



Rear Lift Arm Assembly

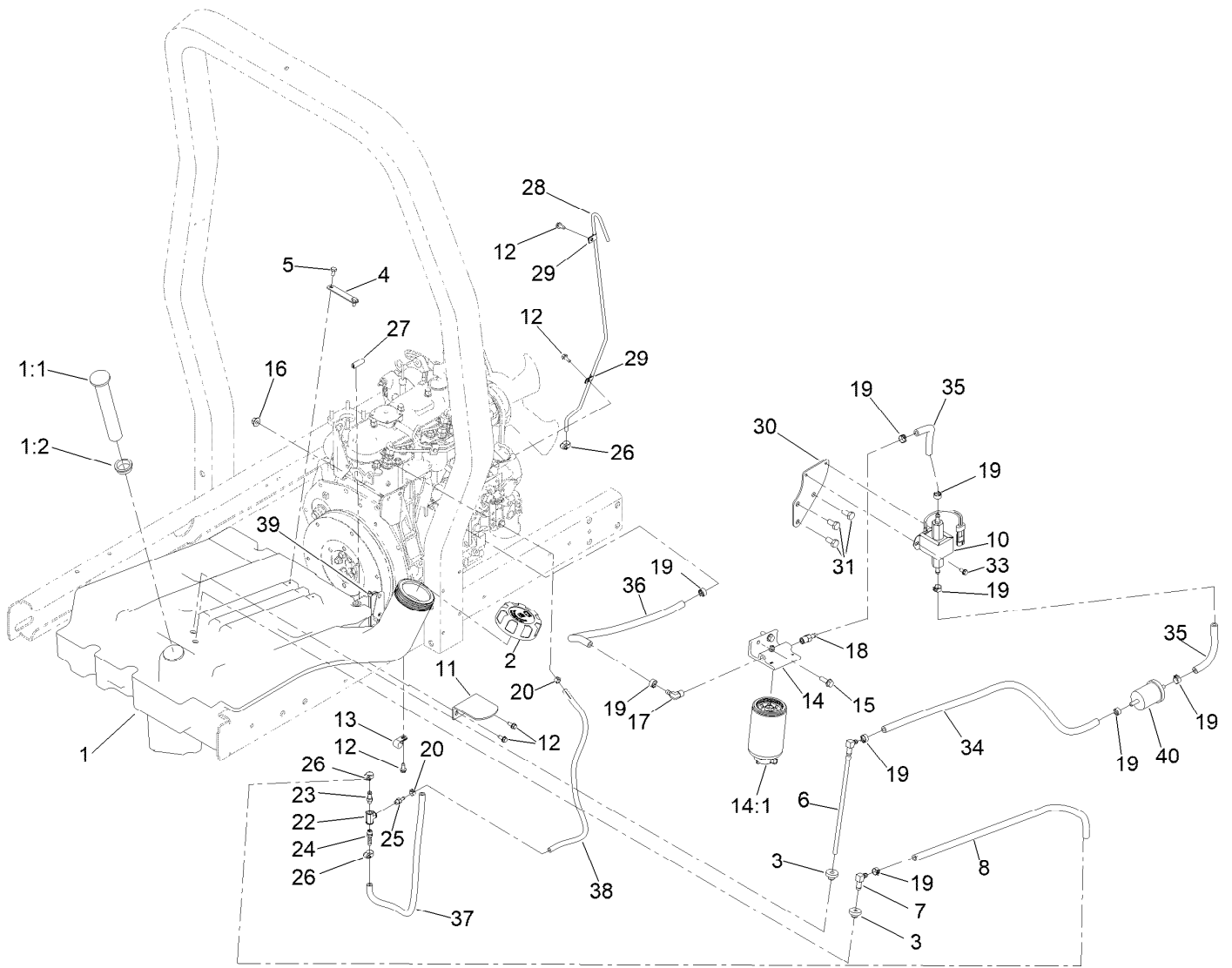
Ref.	Part Number	Qty.	Description	Ref.	Part Number	Qty.	Description
1	95-8904-0P	1	Bracket	17	104-1392	1	Shaft-Pivot
2	95-8538	1	Slide-Plastic	18	139-1726	1	Washer-Rebound
3	3234-11	4	Screw-HHF	19	323-4	1	Screw-HH
4	32128-43	4	Nut-Flange	20	323-6	1	Screw-HH
5	121-3616-03	1	Guard	21	93-6762	1	Switch-Ball
6	86-1480	1	Washer	22	3229-1	2	Screw-CARR
7	3220-9	1	Nut-Jam	23	95-8613	1	Bracket-Switch
8	322-5	2	Screw-HH	24	3256-22	2	Washer-Flat
9	322-12	2	Screw-HH	25	3253-3	2	Washer-Lock
10	136-3425	1	Rear Liftarm ASM-Rm310X	26	3217-5	2	Nut-Hex
10:2	69-6470	2	Bushing-Caster	27	3-6498	1	Washer-Thrust
10:3	302-5	1	Fitting-Grease	28	283-71	1	Pin-Lynch
11	95-8990	1	Shaft-Pivot, Rear	29	32128-20	4	Nut-HF
12	75-7730	1	Washer-Thrust	30	3-6781	1	Washer-Flat
13	3234-27	1	Screw-HHF	31	63-0070	1	Spacer
14	95-8575	1	Pin-Clevis	32	3256-23	4	Washer-Plain
15	32120-93	3	Ring-Retaining				



Fuel System Assembly

Ref.	Part Number	Qty.	Description	Ref.	Part Number	Qty.	Description
1	95-8620	1	Tank-Fuel	17	353-781	1	Fitting-HYD, 90
1:1	95-8971	1	Gauge-Fuel	18	353-783	1	Fitting-STR
1:2	95-8972	1	Grommet	19	92-2379	10	Clamp-Hose
2	125-9171	1	Cap-Fuel	20	2412-80	2	Clamp-Hose
3	46-6560	2	Bushing	22	354-20	1	Fitting-Tee
4	95-8881	1	Strap-Line, Fuel	23	354-21	1	Fitting-Barbed
5	321-2	2	Screw-HH	24	304-73	1	Fitting-Straight
6	110-9689	1	Pipe-Stand	25	354-22	1	Fitting-Barbed
7	46-6550	1	Fitting-Elbow, 90 DEG	26	2412-98	2	Clamp-Hose
8	110-6187	1	Hose-Fuel	27	110-8754	1	Trim
10	145-3160	1	Pump-Fuel, Electric	28	95-8615	1	Tube-Breather
11	95-8968-03	1	Support-Tank, Fuel	29	2412-72	2	Clip-Closed, Insulated
12	32144-10	5	Screw-HWH	30	136-3818-0P	1	Plate-Fuel Pump
13	2412-73	1	Clamp-R	31	63-7790	3	Screw-Cap
14	110-9044	1	Separator-Filter	33	32144-4	2	Screw-HWH
14:1	110-9049	1	Filter-Spin On, Fuel/Water	34	110-3257	1	Hose-Fuel
15	3234-17	2	Screw-HHF	35	109-0310	2	Hose-Fuel
16	32128-44	2	Nut	36	121-7852	1	Hose-Fuel

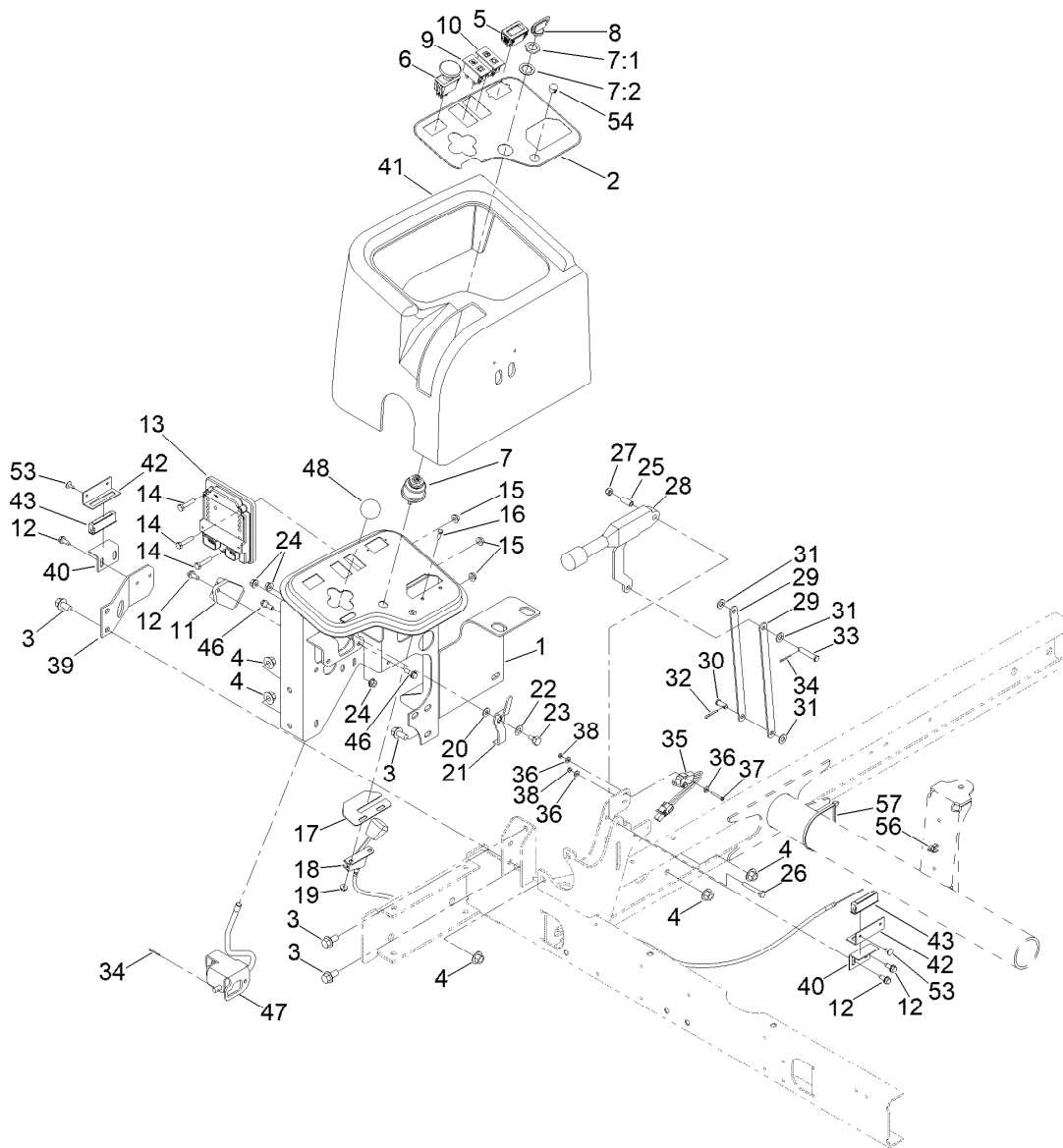
● Not illustrated



Fuel System Assembly (continued)

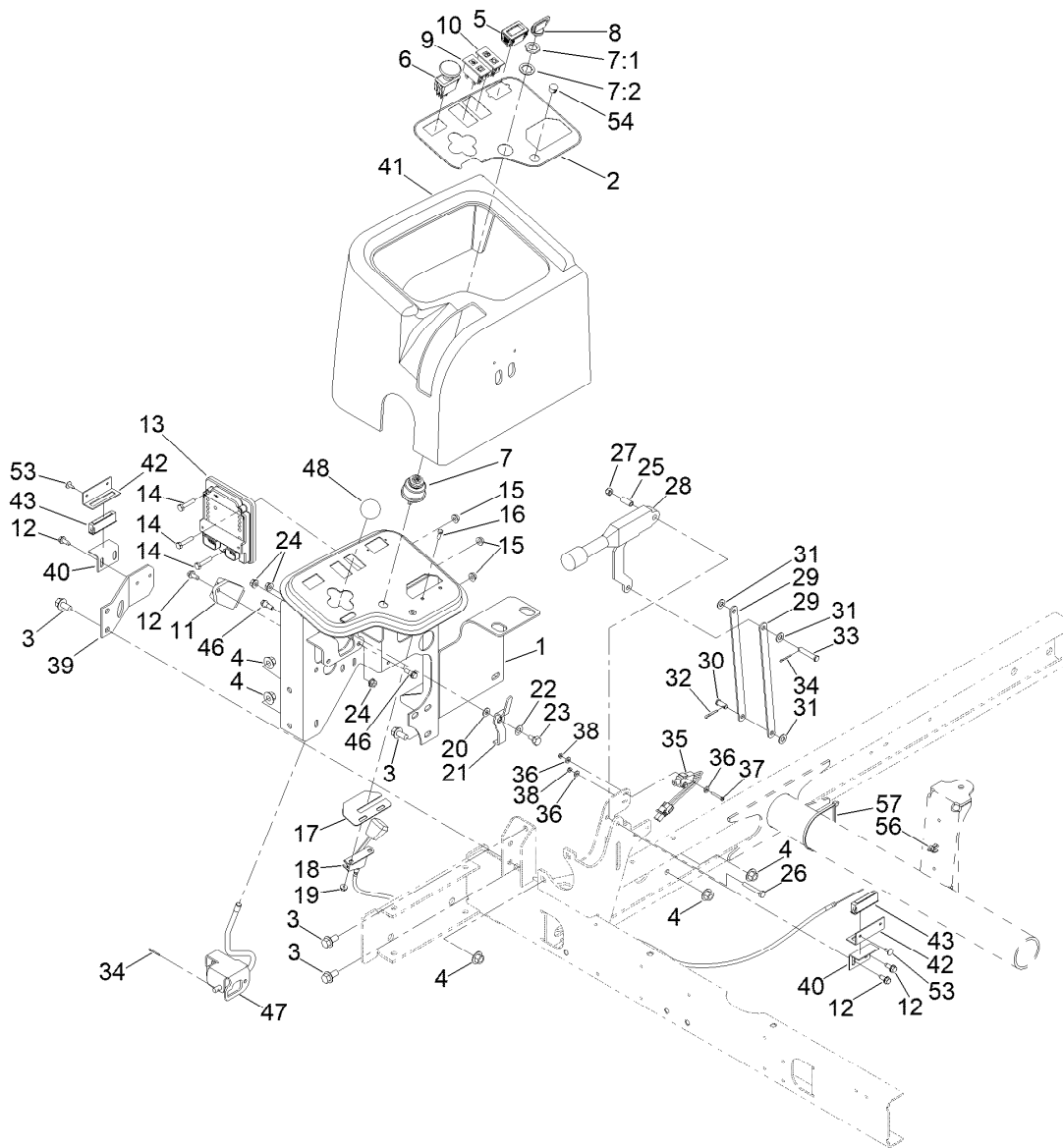
<i>Ref.</i>	<i>Part Number</i>	<i>Qty.</i>	<i>Description</i>	<i>Ref.</i>	<i>Part Number</i>	<i>Qty.</i>	<i>Description</i>
37	110-5701	1	Hose-Fuel	40	98-7612	1	Filter-Fuel
38	138-3151	1	Hose-Fuel	42	3290-378	1	Tie-Cable ●
39	3290-379	1	Tie-Cable ●				

● Not illustrated



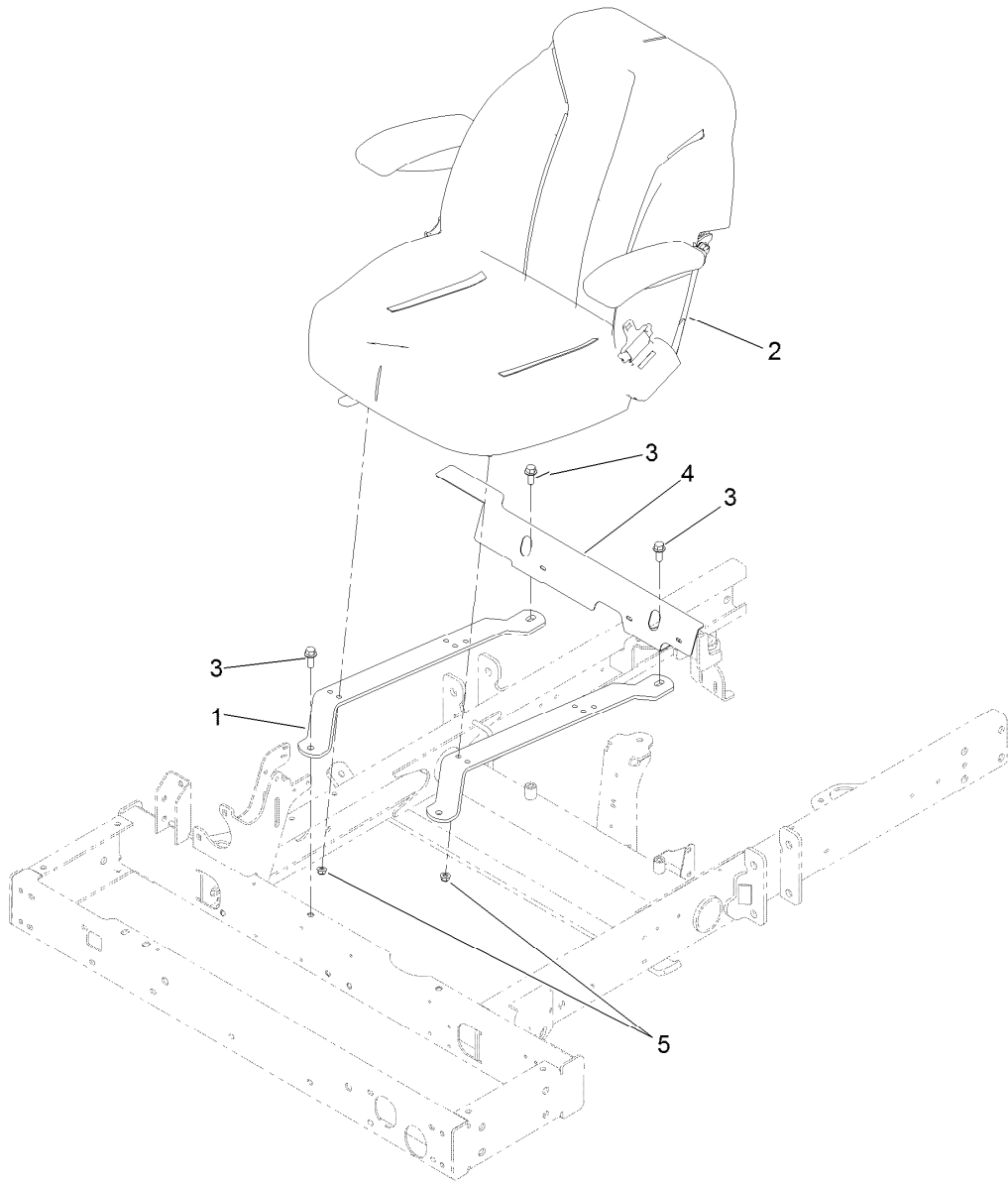
Control Panel Assembly

Ref.	Part Number	Qty.	Description	Ref.	Part Number	Qty.	Description
1	136-3681-03	1	Panel-Control	20	3256-22	1	Washer-Flat
2	136-3678	1	Decal-Console	21	99-3401	1	Lever-Lock
3	3234-1	7	Screw-HHF	22	3290-477	1	Washer-Curved
4	32128-43	7	Nut-Flange	23	63-3410	1	Screw-Shoulder
5	120-2244	1	Hourmeter	24	32128-32	3	Nut-HHF
6	93-9999	1	Switch-PTO	25	87-4710	1	Spacer-Brake, Parking
7	104-2541	1	Ignition Switch ASM	26	321-10	1	Screw-HH
7:1	218-461	1	Nut-HH	27	3296-42	1	Nut-Lock, NI
7:2	3254-5	1	Washer-Lock	28	104-4817	1	Lever-Brake
8	63-8360	2	Key-Ignition	29	104-4628	2	Link-Brake, Parking
9	100-8070	1	Lamp-Warning	30	283-62	1	Pin-Clevis
10	100-8071	1	Lamp-Warning	31	3256-23	3	Washer-Plain
11	98-7611	1	Controller-Glow	32	3272-10	1	Pin-Cotter
12	32144-10	5	Screw-HWH	33	94-3829	1	Pin-Clevis
13	106-9277	1	Module-Control, Standard	34	3272-6	1	Pin-Cotter
14	321-8	3	Screw-HH	35	95-8900	1	Switch
15	32128-33	3	Nut-HF	36	3256-21	4	Washer-Flat
16	3290-134	2	Screw	37	32105-9	2	Screw-HH
17	104-0421	1	Plate-Stop, Throttle	38	3296-9	2	Nut-Hex
18	138-1224	1	Cable-Throttle	39	95-8764-0P	1	Support-Magnet
19	3290-148	2	Nut-HF	40	95-8765	2	Bracket-Strike, Magnet



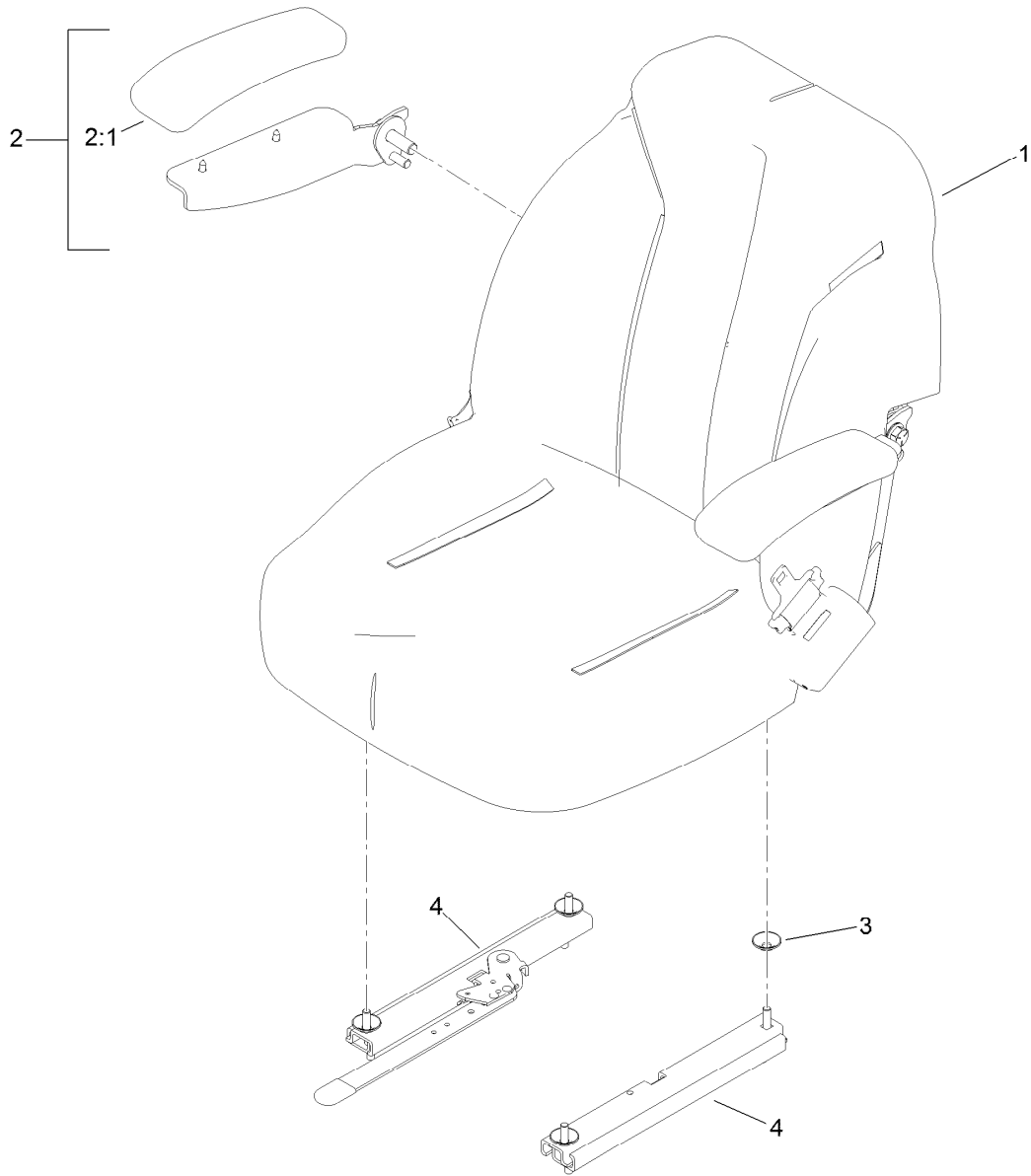
Control Panel Assembly (continued)

<i>Ref.</i>	<i>Part Number</i>	<i>Qty.</i>	<i>Description</i>	<i>Ref.</i>	<i>Part Number</i>	<i>Qty.</i>	<i>Description</i>
41	95-8707	1	Cover-Dash	48	233-42	1	Knob
42	95-8763	2	Bracket-Hold Down, Cover	53	3269-5	4	Rivet-Pop
43	58-4250	2	Catch-Magnetic	54	2410-64	1	Plug-Dome
46	42-3560	2	Bolt-Shoulder	56	3290-378	1	Tie-Cable
47	95-8692	1	Lever ASM	57	3290-379	1	Tie-Cable



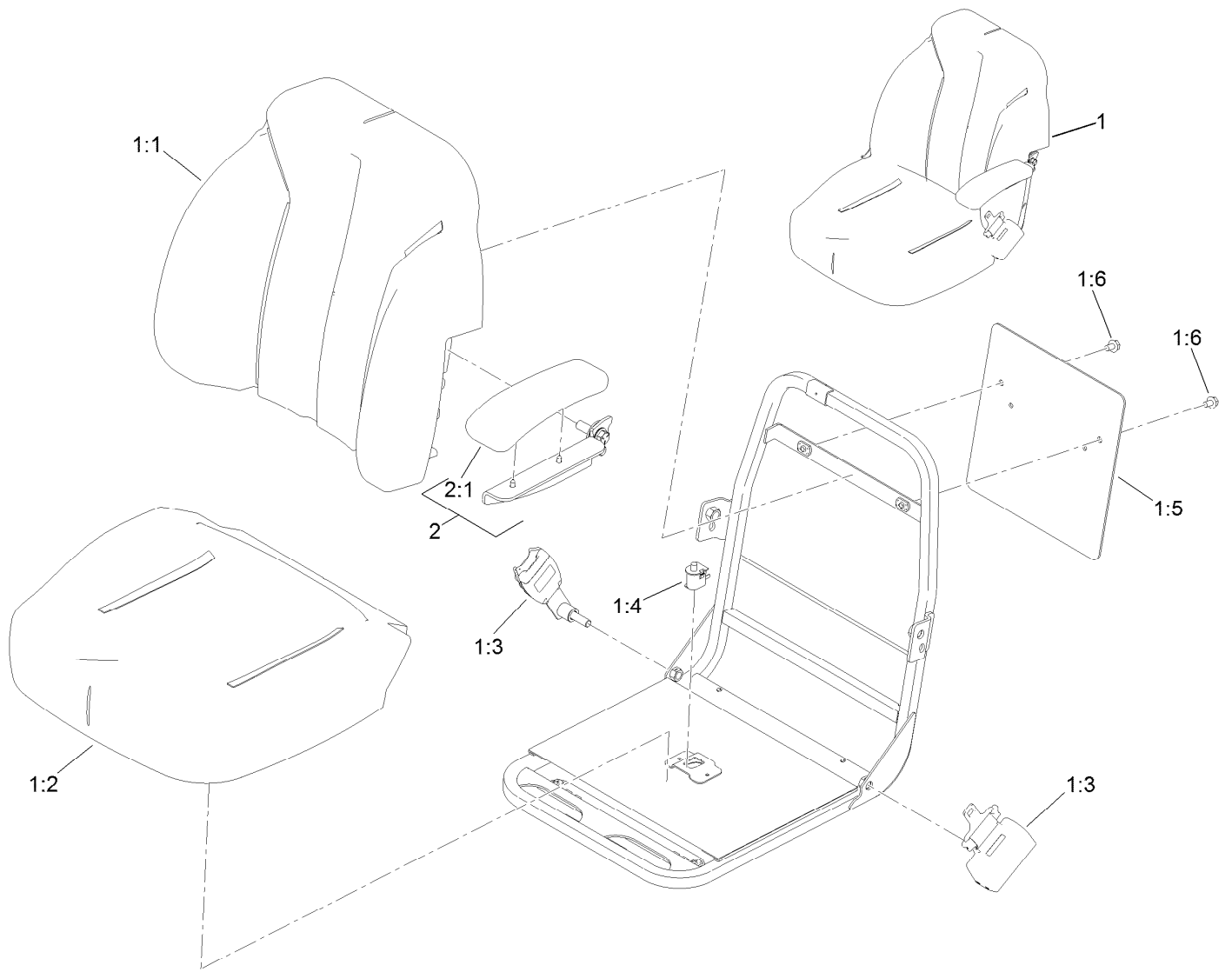
Seat Assembly

<i>Ref.</i>	<i>Part Number</i>	<i>Qty.</i>	<i>Description</i>
1	121-3665-03	2	Strap-Support, Seat
2	139-2679	1	Seat And Track ASM
3	3234-11	4	Screw-HHF
4	104-4833-03	1	Shield-Heat
5	119-4041	4	Nut-HF



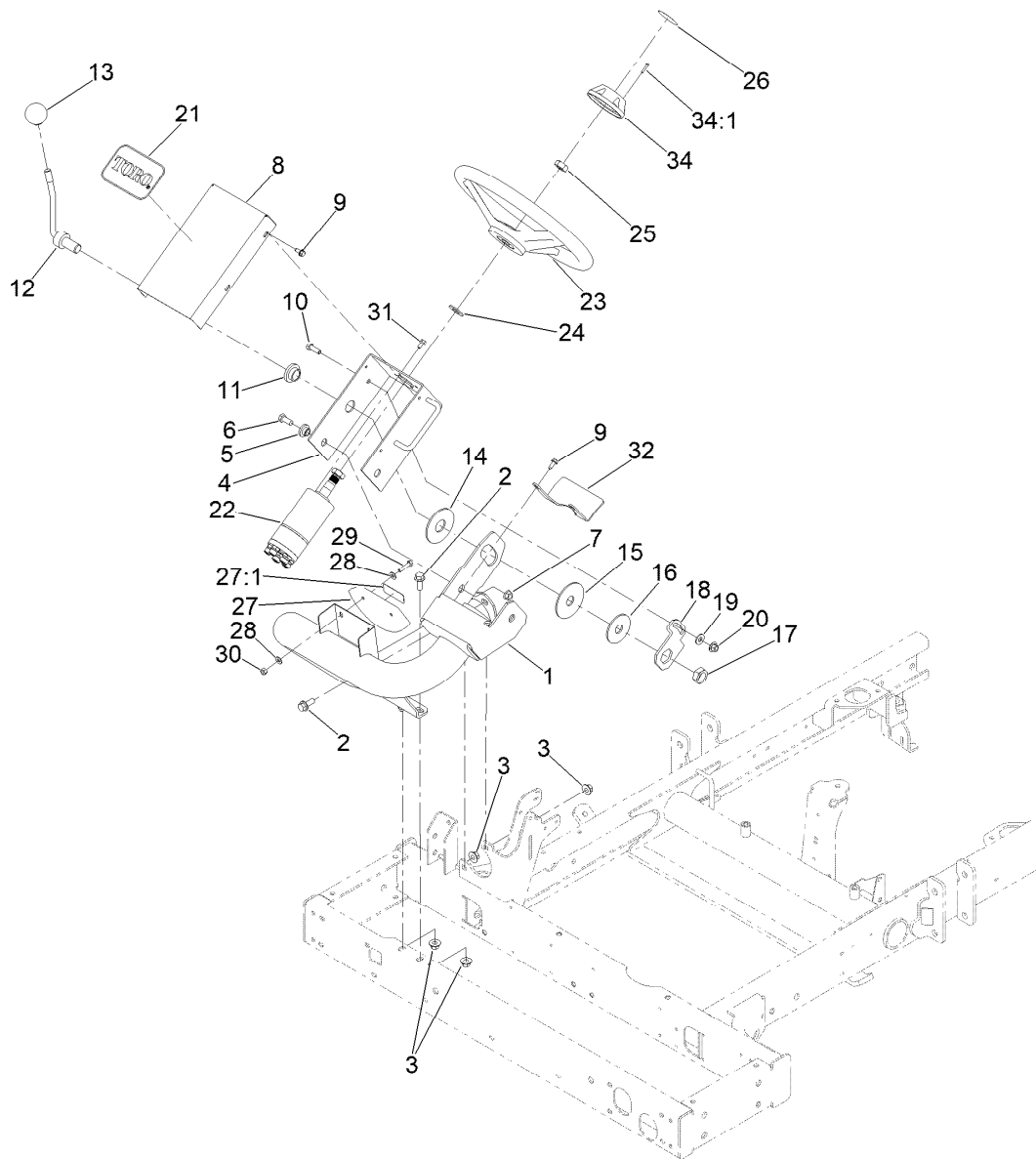
Seat and Track Assembly No. 139-2679

<i>Ref.</i>	<i>Part Number</i>	<i>Qty.</i>	<i>Description</i>
1	139-2700	1	Seat ASM
2	121-3658	1	RH Arm Rest Kit
2:1	110-4163	1	Cushion-Rest, Arm
3	136-9002	4	Spacer-Mounting
4	126-2177	1	Track-Seat



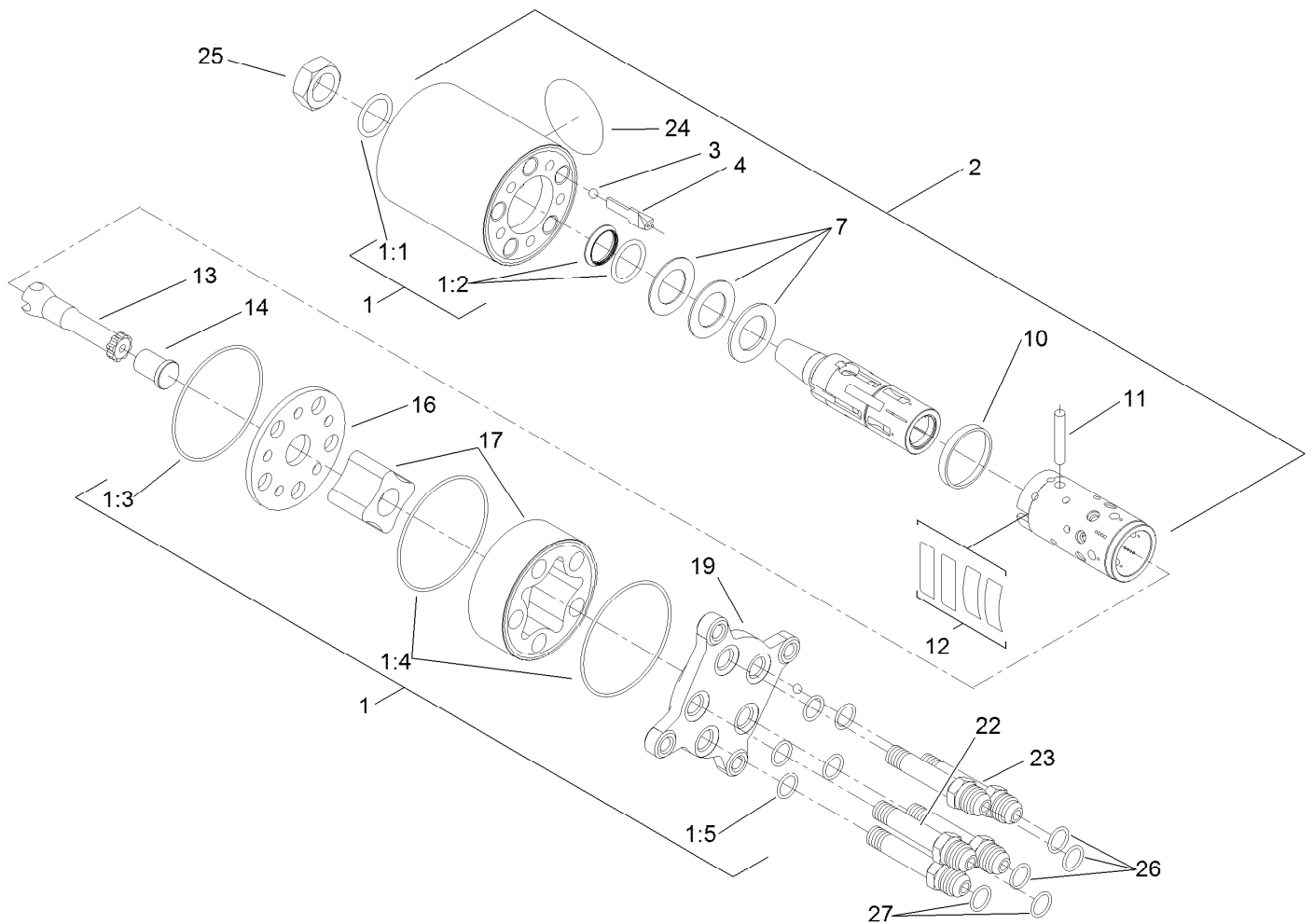
Seat Assembly No. 139-2700

<i>Ref.</i>	<i>Part Number</i>	<i>Qty.</i>	<i>Description</i>
1	139-2680	1	Seat ASM
1:1	145-0083	1	Cover-Seat, Back
1:2	145-0084	1	Cover-Seat, Bottom
1:3	139-2707	1	Seat Belt Kit
1:4	82-2190	1	Switch-Bail
1:5	139-2701	1	Plate-Decal
1:6	3234-30	2	Screw-HHF
2	121-3660	1	LH Arm Rest Kit
2:1	110-4163	1	Cushion-Rest, Arm



Steering Column Assembly

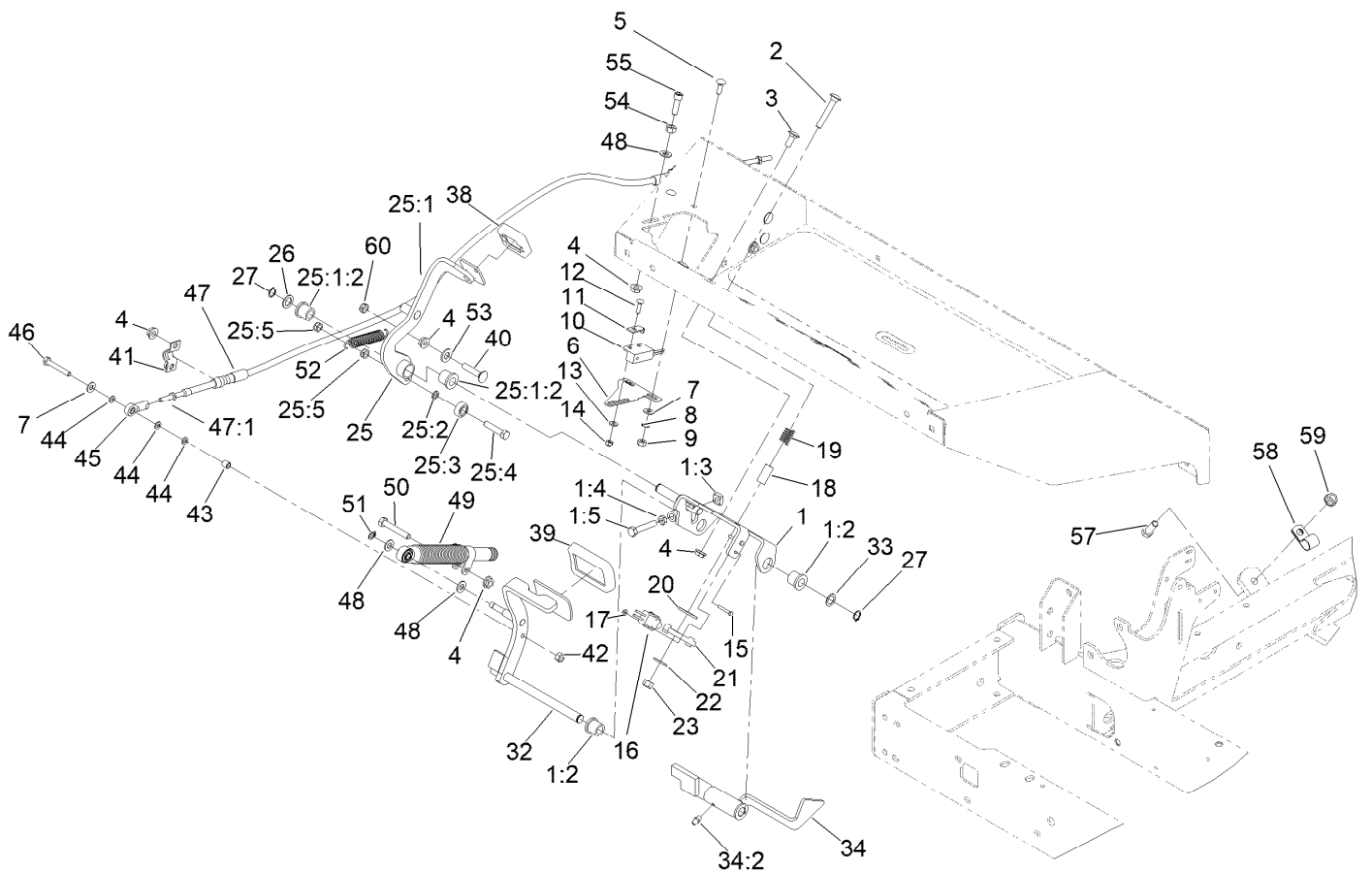
<i>Ref.</i>	<i>Part Number</i>	<i>Qty.</i>	<i>Description</i>	<i>Ref.</i>	<i>Part Number</i>	<i>Qty.</i>	<i>Description</i>
1	105-8536-01	1	Arm-Steering	19	3256-3	1	Washer-Flat
2	3234-11	4	Screw-HHF	20	32128-44	1	Nut
3	32128-43	4	Nut-Flange	21	67-1300	1	Decal
4	120-2190-01	1	Bracket-Valve	22	121-7856	1	Steering Valve ASM
5	93-5988	2	Hub-Pivot	23	145-0051	1	Steering Wheel
6	323-5	2	Screw-HH	24	3256-27	1	Washer-Flat
7	32128-21	2	Nut-HF Lock	25	3296-33	1	Nut-Lock, NI
8	95-8794-01	1	Cover-Valve, Steering	26	68-5370	1	Decal
9	32144-10	5	Screw-HWH	27	100-4929	1	Slope Indicator ASM
10	322-5	1	Screw-HH	27:1	121-3598	1	Decal-Danger, 17 Degree
11	99-3502	1	Boss	28	3256-22	4	Washer-Flat
12	95-8798-03	1	Lever-Steering	29	321-7	2	Screw-HH
13	233-48	1	Knob	30	3296-42	2	Nut-Lock, NI
14	31-0390	1	Disc-Friction	31	33103-012	4	Screw-HHF
15	82-9010	1	Disc-Friction	32	99-3405-01	1	Shield-Steering
16	80-2930	1	Washer-Flat	34	68-5140	1	Cap-Wheel, Steering
17	3218-7	1	Nut-Jam	34:1	32144-21	1	Screw
18	80-2880	1	Bracket-Tilt				



Steering Valve Assembly No. 121-7856

Ref.	Part Number	Qty.	Description	Ref.	Part Number	Qty.	Description
1	106-6716	1	Seal Kit	12		1	Springs ●
1:1		1	Ring-Seal, Dust ●	13		1	Shaft ●
1:2		1	Seal-Shaft ●	14		1	Spacer ●
1:3		1	O-Ring ●	16		1	Plate-Distributor ●
1:4		2	O-Ring ●	17		1	Gearwheel Set ●
1:5		5	O-Ring ●	19		1	Cover-End ●
2		1	Housing ●	22		1	Screw-Special ●
3		1	Ball ●	23		4	Screw-Special ●
4		1	Stop-Ball ●	24		1	Plate-Name ●
7		1	Bearing ASM ●	25	3296-33	1	Nut-Lock, NI
10		1	Ring ●	26	237-22	3	O-Ring
11		1	Pin-Cross ●	27	237-21	2	O-Ring

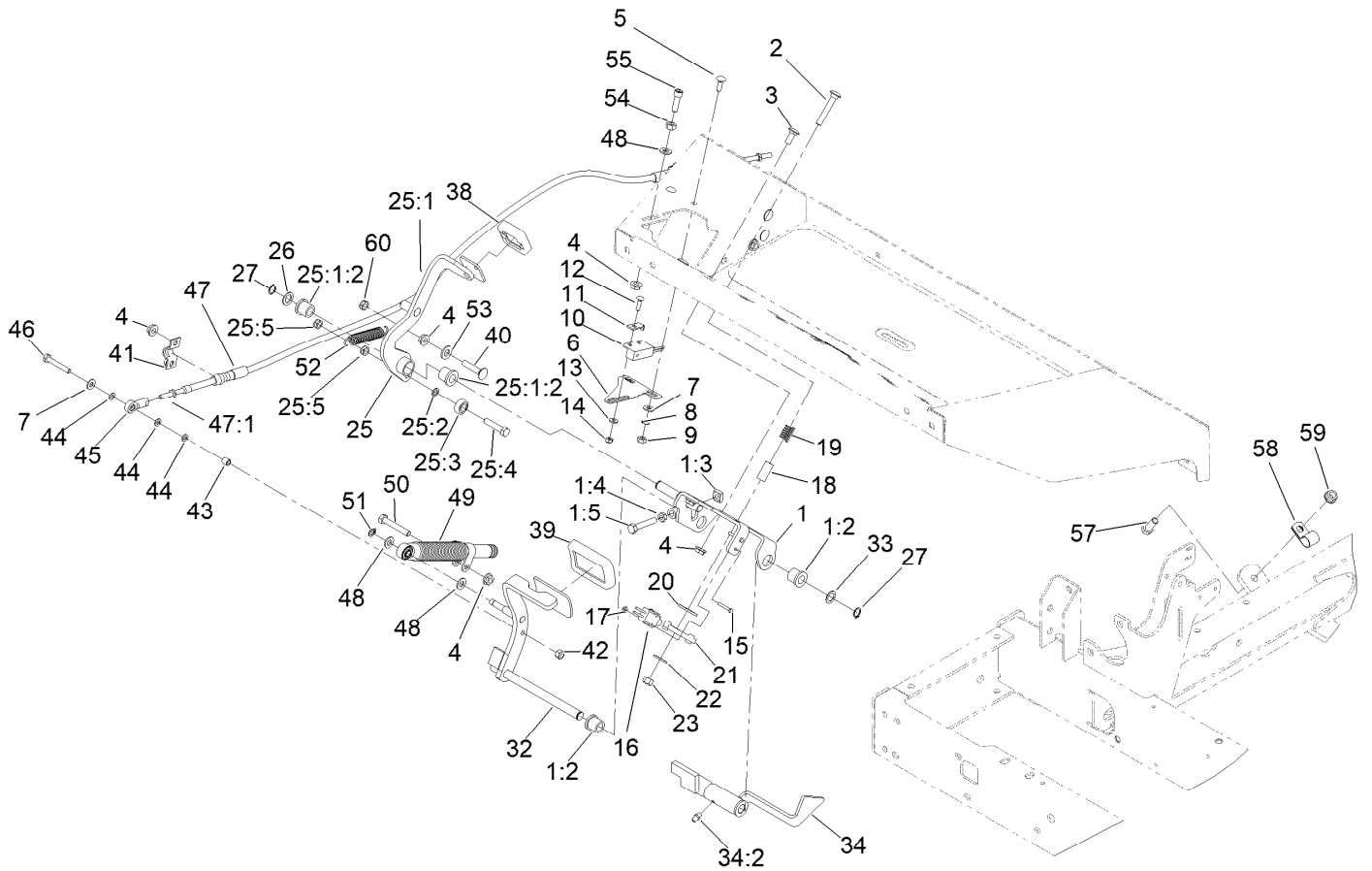
● Not serviced separately



Pedal Assembly

Ref.	Part Number	Qty.	Description	Ref.	Part Number	Qty.	Description
1	140-6253	1	Traction Bracket ASM	15	32105-9	2	Screw-HH
1:2	256-243	2	Bearing-Flange	16	95-8900	1	Switch
1:3	99-3565	1	Nut-Square	17	3296-9	2	Nut-Hex
1:4	3218-2	1	Nut-Hex Jam	18	95-8866	1	Tube-Arm, Rocker
1:5	322-41	1	Bolt-Hex,TAP	19	65-9940	1	Spring
2	3230-6	1	Bolt-CARR	20	87-7270	1	Washer-Thrust
3	137-3061	4	Bolt-CARR	21	99-3593	1	Arm-Rocker
4	32128-20	8	Nut-HF	22	3256-3	1	Washer-Flat
5	3229-1	2	Screw-CARR	23	3296-29	1	Nut-Lock, NI
6	100-4871	1	Bracket-Switch, Neutral	25	140-6251	1	Reverse Pedal ASM
7	3256-22	3	Washer-Flat	25:1		1	Reverse Pedal ASM W/Bushings ●
8	3255-7	2	Washer-Lock/EXT	25:1:2	256-243	2	Bearing-Flange
9	3217-5	2	Nut-Hex	25:2	75-5470	1	Spacer-Bearing
10	100-1270	1	Switch-Proximity	25:3	251-259	1	Bearing-Ball
11	100-4872	1	Plate-Switch, Neutral	25:4	322-7	1	Screw-HH
12	3229-20	1	Screw-CARR	25:5	3296-47	2	Nut-Lock,NI
13	3256-14	1	Washer-Flat	26	41-8440	1	Washer
14	3296-2	1	Nut-Lock, NI				

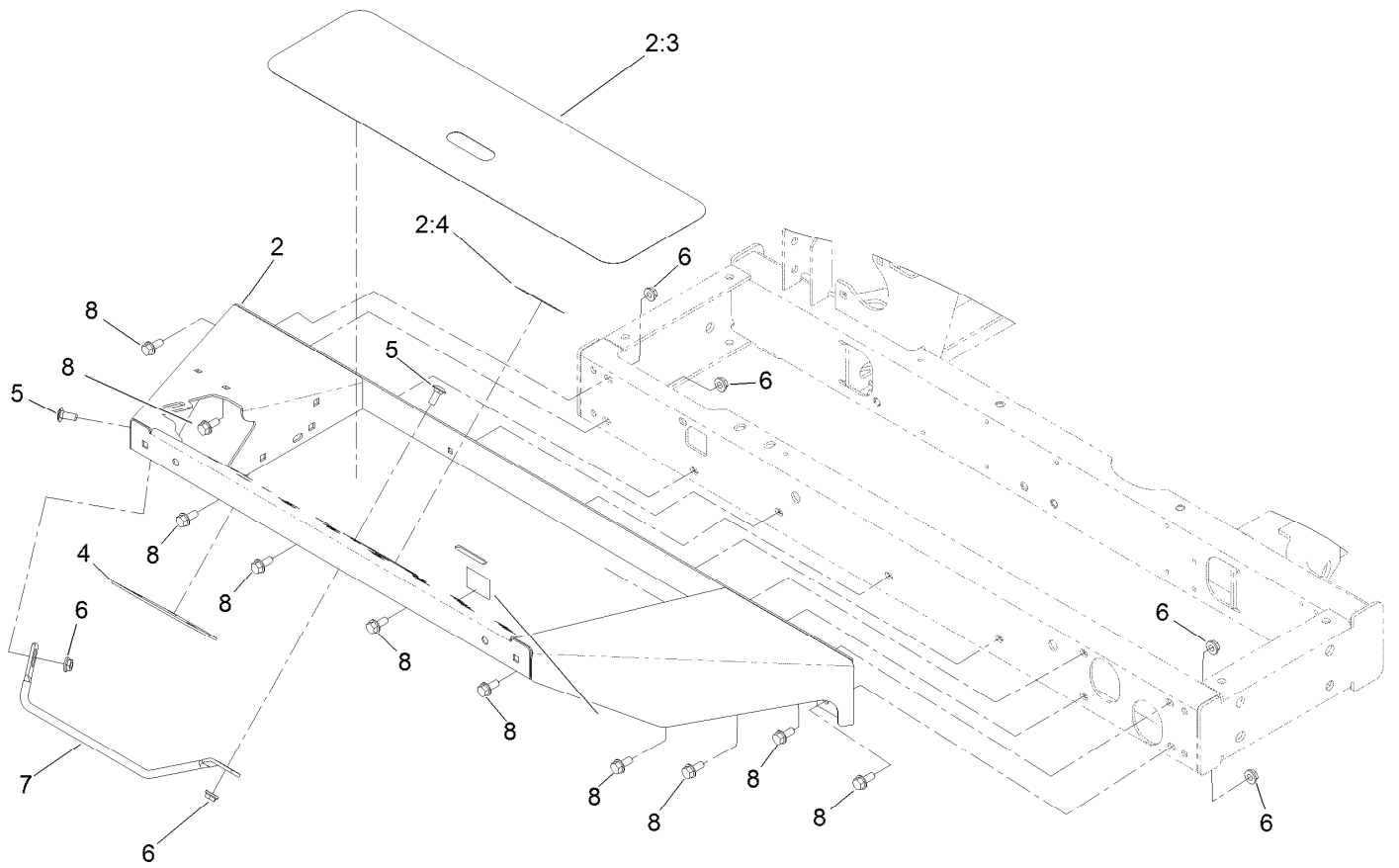
● Not serviced separately



Pedal Assembly (continued)

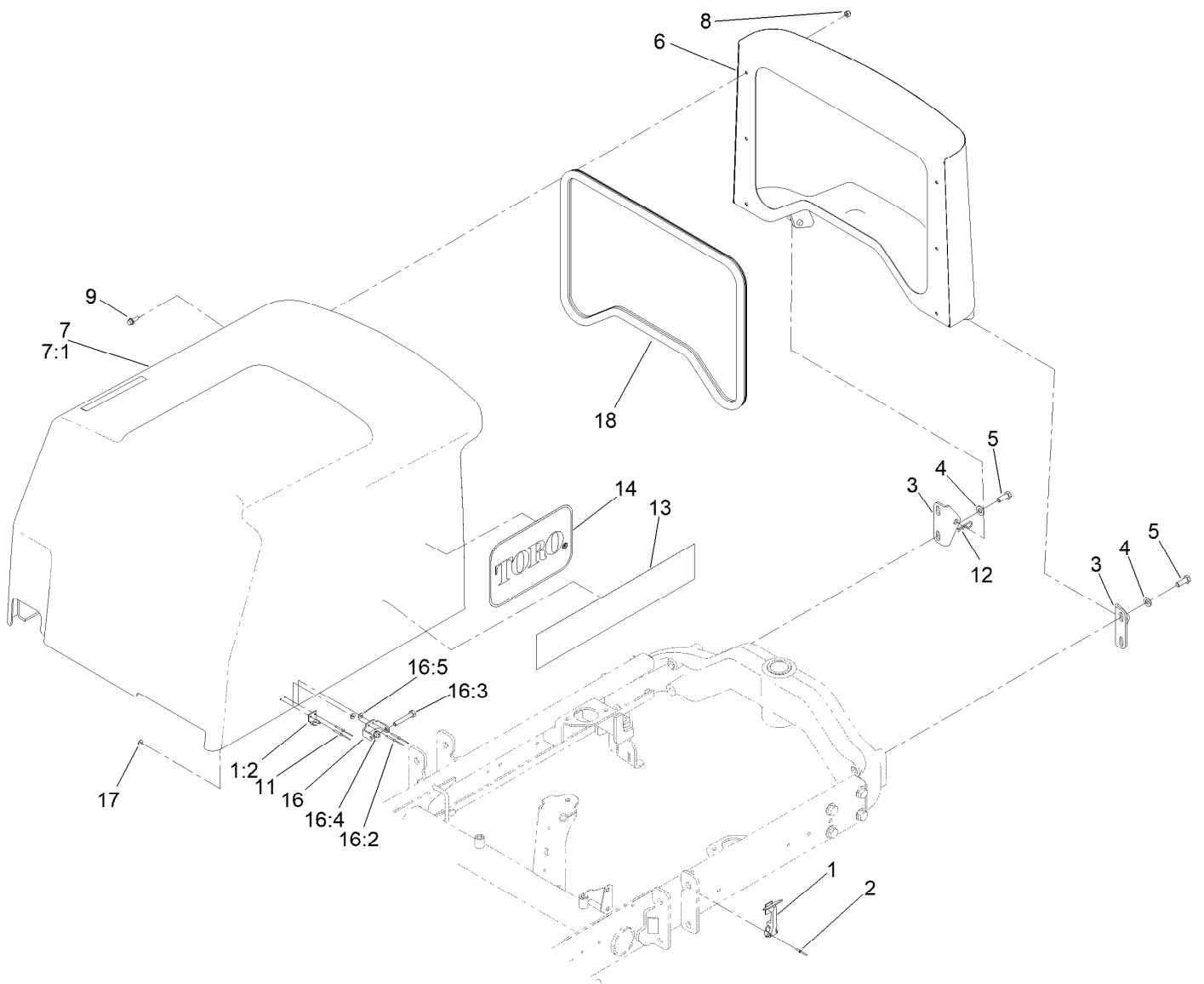
Ref.	Part Number	Qty.	Description	Ref.	Part Number	Qty.	Description
27	32151-84	2	Ring-Shaft, EXT	47	100-4815	1	Cable-Control, Traction
32	140-6263	1	Traction Pedal ASM	47:1	3220-1	2	Nut-Jam
33	73-0040	1	Washer-Thrust	48	3256-23	3	Washer-Plain
34	140-6255	1	Detent Slider ASM	49	140-6248	1	Damper
34:2	302-5	1	Fitting-Grease	50	322-10	1	Screw-HH
38	74-9110	1	Pad-Pedal, Reverse	51	32151-3	1	Ring-Grip
39	74-9100	1	Pad-Pedal, Forward	52	99-3476	1	Spring-Extension
40	3230-27	1	Screw-CARR	53	3256-24	1	Washer-Plain
41	93-2092	1	Clamp-Cable	54	3217-6	1	Nut-Hex
42	3296-42	1	Nut-Lock, NI	55	3274-22	1	Screw-HSH
43	99-3545	1	Spacer	57	323-6	1	Screw-HH
44	33093-00	3	Washer-Flat	58	2412-41	1	Clamp-R
45	2411-41	1	Rod End-Ball Joint	59	3290-357	1	Nut-HSF
46	321-10	1	Screw-HH	60	3296-47	1	Nut-Lock,NI

● Not serviced separately



Footplate Assembly

<i>Ref.</i>	<i>Part Number</i>	<i>Qty.</i>	<i>Description</i>
2	106-4154	1	Floorplate ASM
2:3	99-3478	1	Tread-Foot
2:4	99-3444	1	Decal-Mow/Transport
4	106-2661-0P	1	Plate-Support
5	137-3061	2	Bolt-CARR
6	32128-20	12	Nut-HF
7	95-8893	1	Bar-Deflector
8	3234-5	10	Screw-HHF

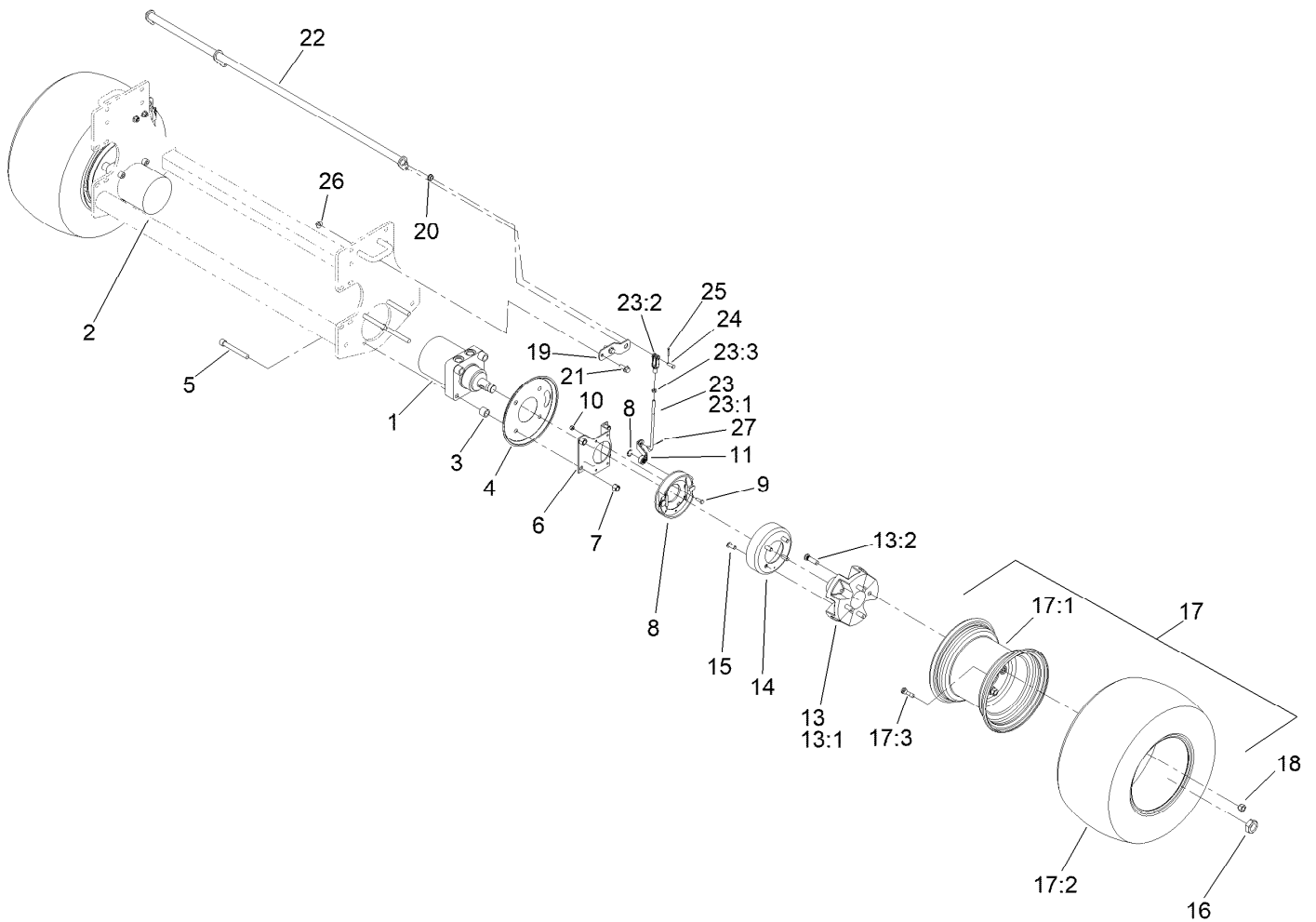


Hood Assembly

Ref.	Part Number	Qty.	Description	Ref.	Part Number	Qty.	Description
1	59-9740	2	Flex Draw Latch ASM	11	107-0333	4	Rivet-Pop
1:2	249-40	1	Keeper	12	3290-467	1	Pin-Hair
2	3290-55	4	Rivet-Pop	13	104-5153	2	Decal-Hood
3	95-8728	2	Bracket-Pivot, Hood	14	66-6140	2	Decal
4	3256-24	4	Washer-Plain	16	119-2004	1	CE Latch Kit
5	323-6	4	Screw-HH	16:2	107-0333	2	Rivet-Pop
6	95-8724-03	1	Screen-Hood	16:3	322-10	1	Screw-HH
7	121-3633	1	Hood ASM	16:4	3296-47	1	Nut-Lock,NI
7:1		1	Hood ■	16:5	3269-10	2	Washer-Back
7:1:1	106-8114	1	Heat Tape Repair Kit ●	17	3269-10	4	Washer-Back
8	3296-42	6	Nut-Lock, NI	18	95-8809	1	Trim-Seal
9	3234-4	6	Screw-HHF				

● Not illustrated

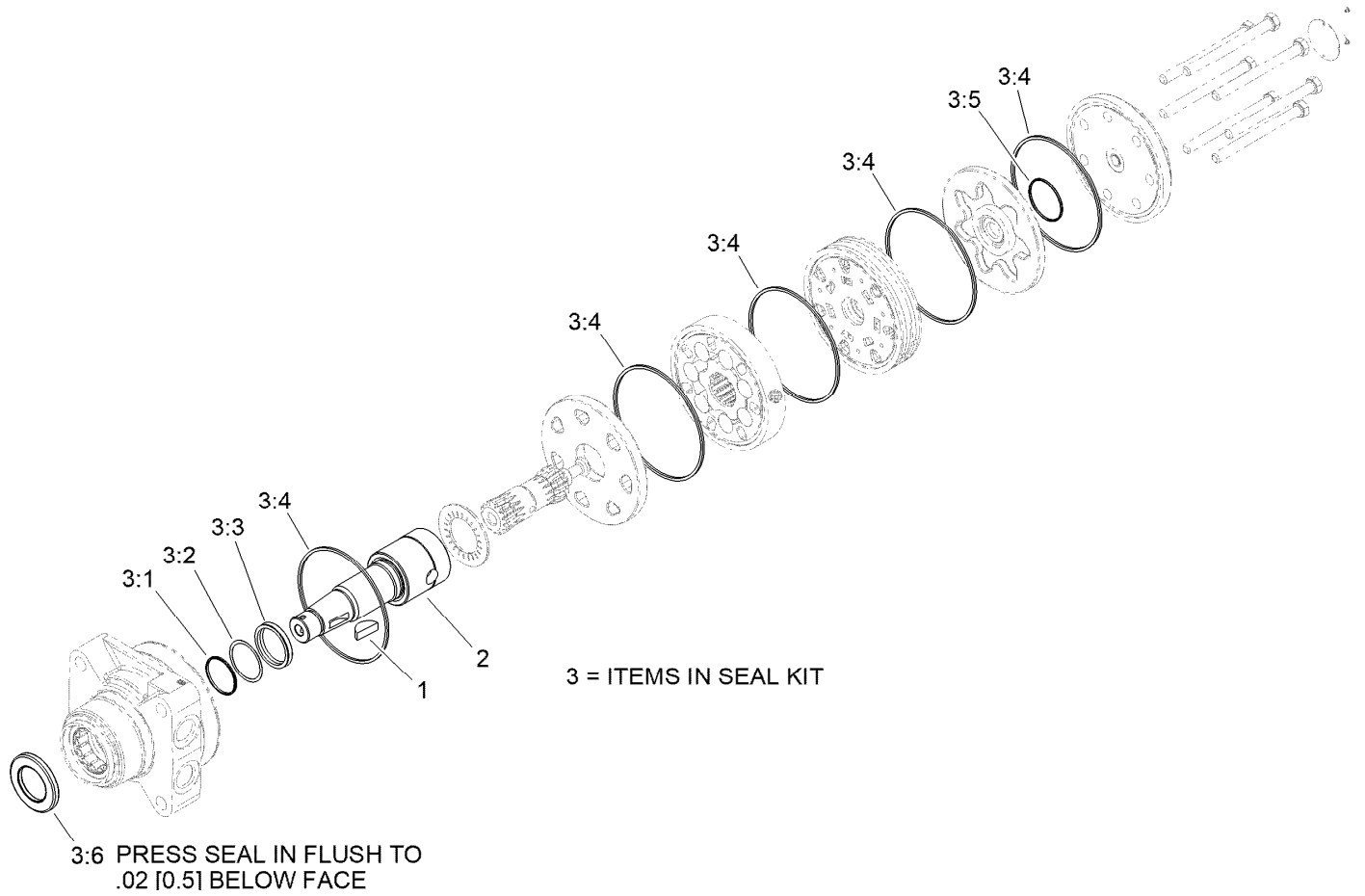
■ Not serviced separately



Hydraulic Drive and Wheel Assembly

Ref.	Part Number	Qty.	Description	Ref.	Part Number	Qty.	Description
1	110-8785	1	HYD Motor ASM (CCW)	17		2	Tire And Rim ASM ●
2	110-8786	1	HYD Motor ASM (CW)	17:1	121-3548	1	Rim
3	119-8238	8	Spacer-Deck Pulley	17:2	117-5125	1	Tire
4	104-0485-0P	2	Shield-Wheel	17:3	232-27	1	Stem-Valve
5	3274-99	8	Screw-HSH	18	139-2564	8	Nut-Lug
6	147-3595	2	Bracket-Brake	19	95-8683	2	Bracket-Pivot, Brake
7	3296-23	8	Nut-Lock, NI	20	256-156	2	Bushing-Flange
8	104-7705	2	Brake ASM	21	3234-11	4	Screw-HHF
9	321-5	8	Screw-HH	22	104-4625-03	1	Shaft-Pivot, Brake
10	3296-42	8	Nut-Lock, NI	23	115-6672	2	Brake Lever ASM
11	114-2726	2	Lever-Brake	23:1	104-4627	1	Rod-Adjusting
13		2	Wheel Hub/Stud ASM ●	23:2	1-303105	1	Yoke-Adjustable
13:1	104-0462	1	Hub-Wheel, Spacer	23:3	3220-2	1	Nut-Hex Jam
13:2	10-6830	4	Stud-Type, Drive	24	283-1	2	Pin-Clevis
14	104-4809	2	Drum-Brake	25	3272-10	2	Pin-Cotter
15	3274-105	8	Screw-HSBH	26	32128-43	4	Nut-Flange
16	116-1399	2	Locknut	27	3272-6	2	Pin-Cotter

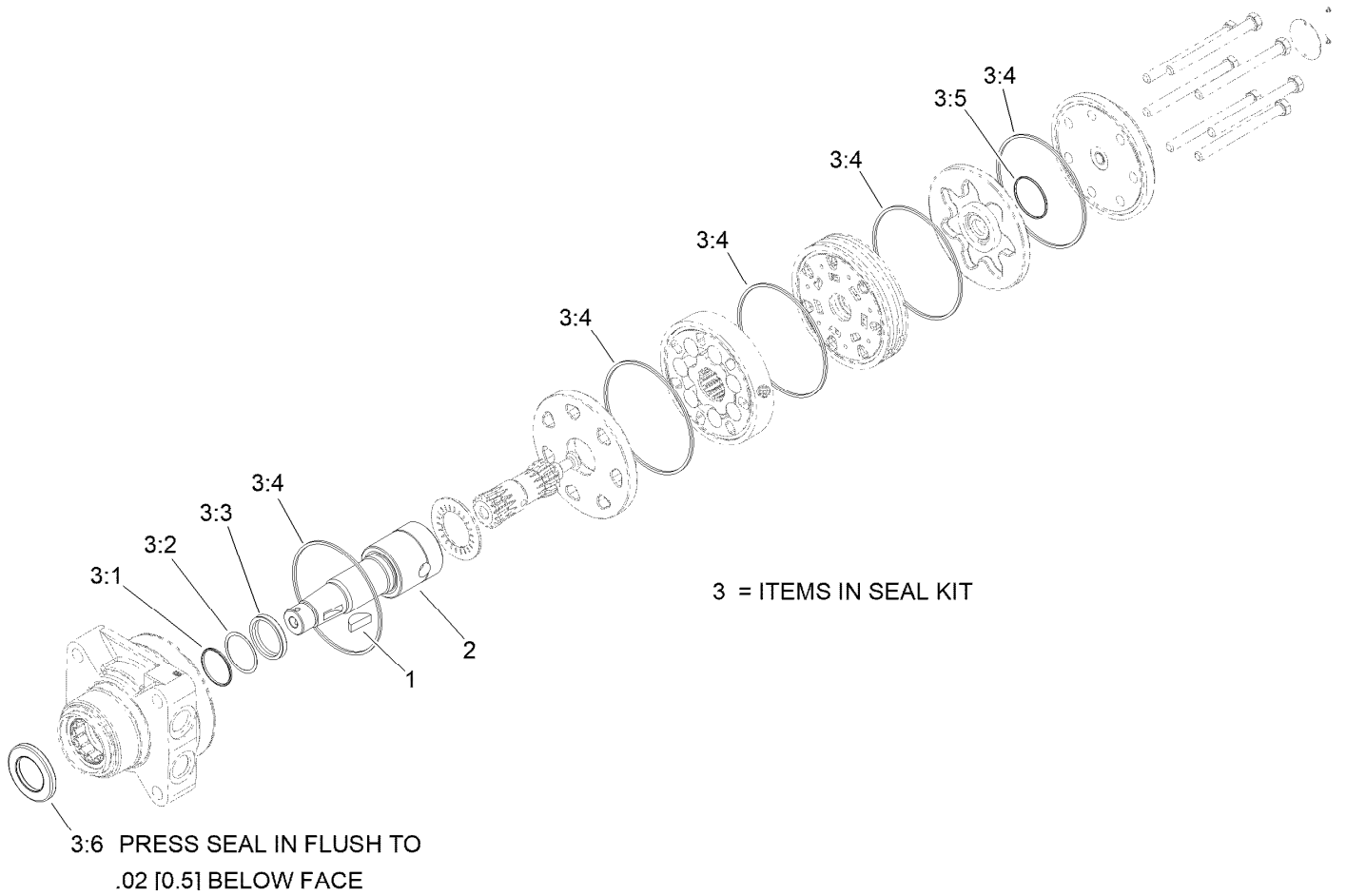
● Not serviced separately



Hydraulic Motor Assembly No. 110-8786

Ref.	Part Number	Qty.	Description
1	3257-42	1	Key-Woodruff
2	99-3090	1	Shaft-Coupling
3	100-6131	1	Seal Kit
3:1		1	Ring-Back Up ●
3:2		1	Washer-Back Up ●
3:3		1	Seal-Shaft ●
3:4		5	Seal-Ring ●
3:5		1	Seal-Commutator ●
3:6		1	Seal-Dirt And Water ●

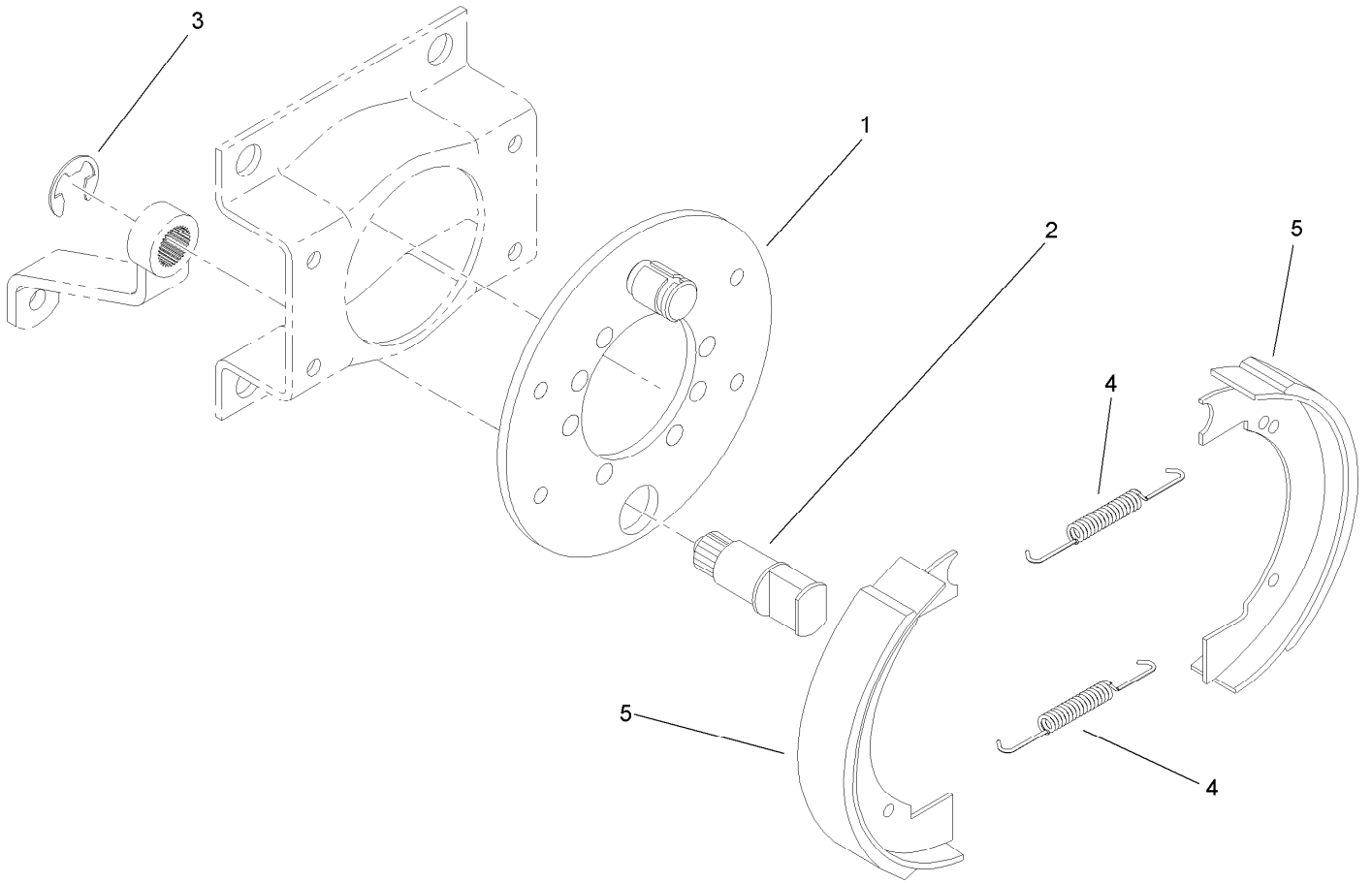
● Not serviced separately



Hydraulic Motor Assembly No. 110-8785

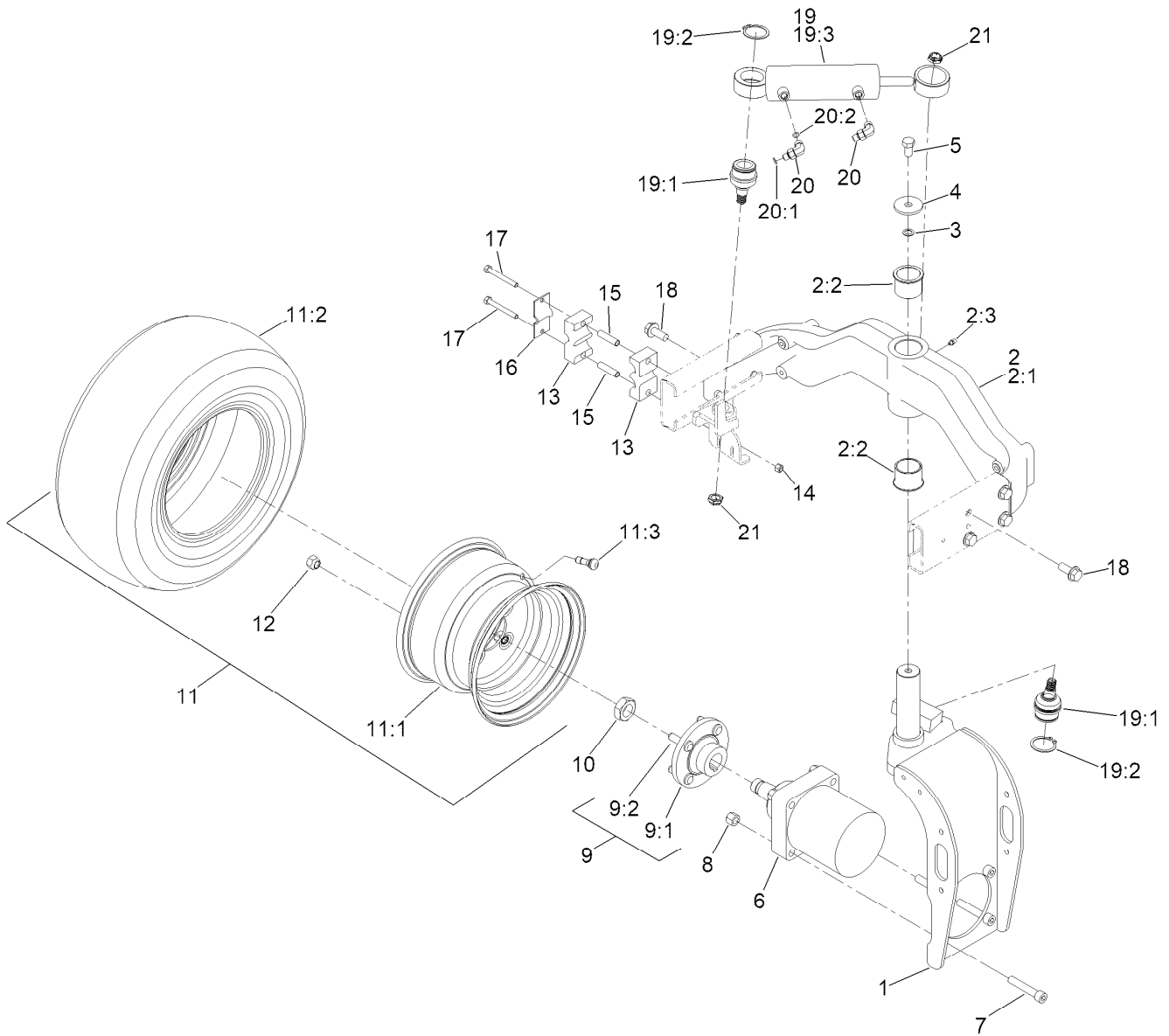
Ref.	Part Number	Qty.	Description
1	3257-42	1	Key-Woodruff
2	99-3090	1	Shaft-Coupling
3	100-6131	1	Seal Kit
3:1		1	Ring-Back Up ●
3:2		1	Washer-Back Up ●
3:3		1	Seal-Shaft ●
3:4		5	Seal-Ring ●
3:5		1	Seal-Commutator ●
3:6		1	Seal-Dirt And Water ●

● Not serviced separately



Brake Assembly No. 104-7705

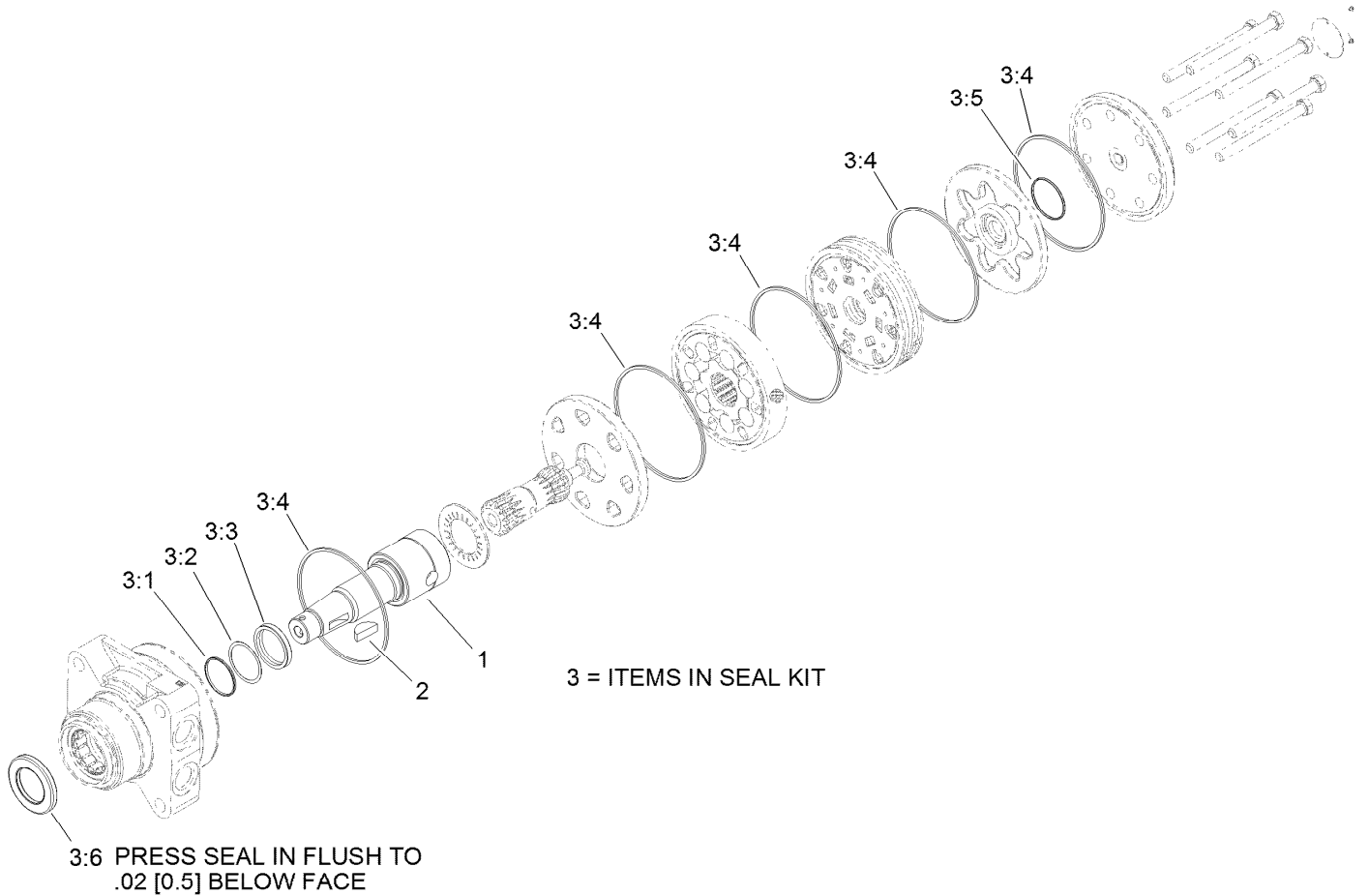
<i>Ref.</i>	<i>Part Number</i>	<i>Qty.</i>	<i>Description</i>
1	70-9870	1	Plate-Backing
2	104-7707	1	Shaft-Cam, Brake
3	104-7706	1	E-Ring, Bowed
4	70-9880	2	Spring-Return
5	70-9840	2	Shoe-Brake



Rear Fork and Tire Assembly

Ref.	Part Number	Qty.	Description	Ref.	Part Number	Qty.	Description
1	140-6293-01	1	Fork-Rear	11:2	115-1572	1	Tire
2	127-8576	1	Rear Casting ASM	11:3	232-27	1	Stem-Valve
2:1		1	Casting-Rear ●	12	139-2564	4	Nut-Lug
2:2	127-8572	2	Bushing-Flange	13	82-8170	2	Clamp
2:3	302-5	1	Fitting-Grease	14	3296-29	2	Nut-Lock, NI
3	3255-2	1	Washer-Lock, EXT	15	93-7960	2	Spacer
4	75-7730	1	Washer-Thrust	16	93-7961	1	Clamp-Drain, Case
5	325-3	1	Screw-HH	17	322-13	2	Screw-HH
6	95-8694	1	HYD Motor ASM	18	3234-38	8	Screw-HHF
7	3274-93	4	Screw-HSH	19		1	Steering Cylinder ASM ●
8	3296-23	4	Nut-Lock, NI	19:1	121-3605	2	Ball Joint
9	18-3209	1	Wheel Hub/Stud ASM	19:2	32151-104	2	Ring-Retaining, External
9:1	10-6870-03	1	Hub-Wheel	19:3	121-3653	1	Cylinder-HYD
9:2	10-6830	4	Stud-Type, Drive	20	340-132	2	Fitting-Elbow, 90 DEG
10	116-1399	1	Locknut	20:1	237-78	1	O-Ring
11		1	Wheel And Tire ASM ●	20:2	237-21	1	O-Ring
11:1	117-5129	1	Rim	21	121-3611	2	Nut-Hex, Flextop

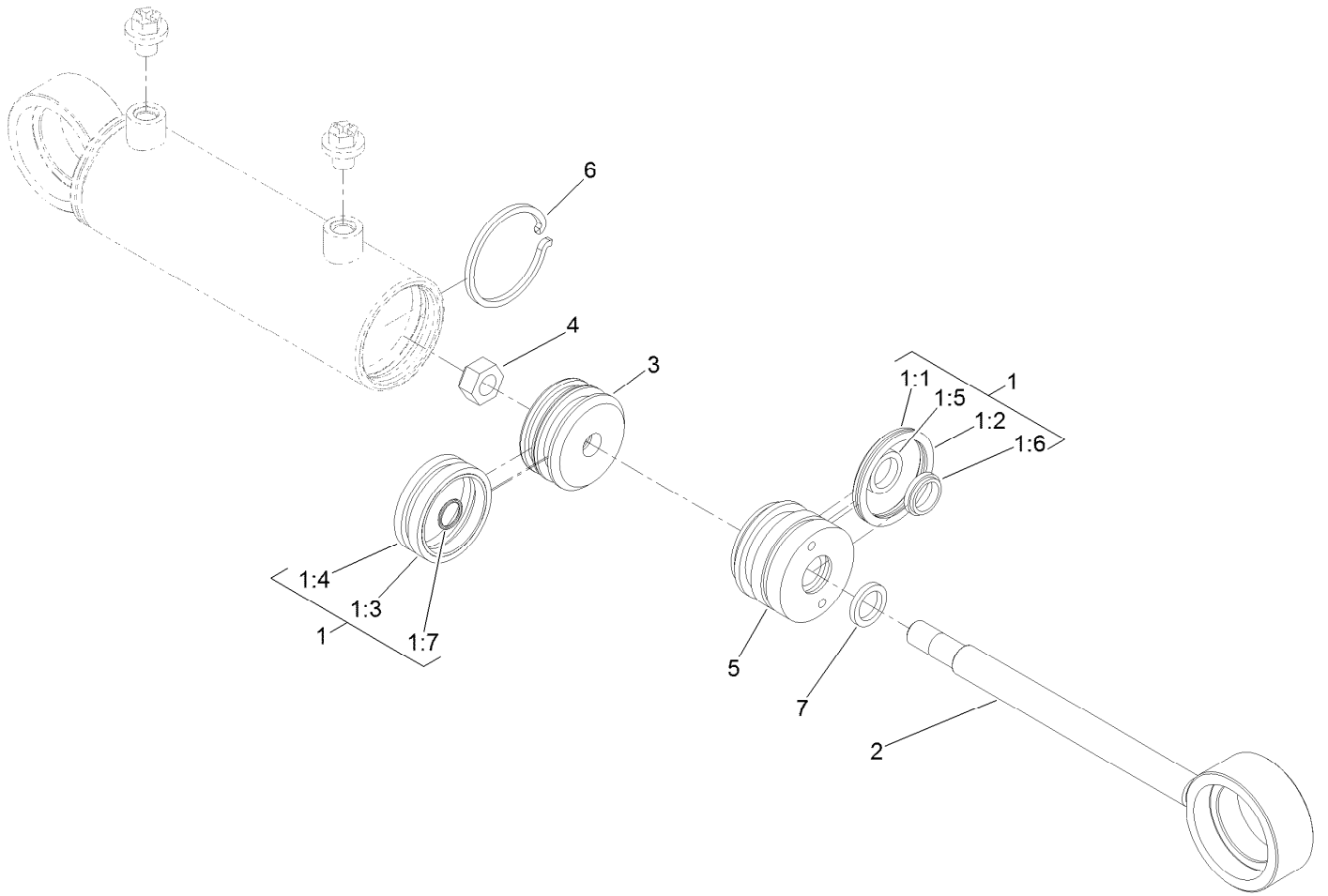
● Not serviced separately



Hydraulic Motor Assembly No. 95-8694

<i>Ref.</i>	<i>Part Number</i>	<i>Qty.</i>	<i>Description</i>
1	99-3090	1	Shaft-Coupling
2	3257-42	1	Key-Woodruff
3	100-6131	1	Seal Kit
3:1		1	Ring-Back Up ●
3:2		1	Washer-Back Up ●
3:3		1	Seal-Shaft ●
3:4		5	Seal-Ring ●
3:5		1	Seal-Commutator ●
3:6		1	Seal-Dirt And Water ●

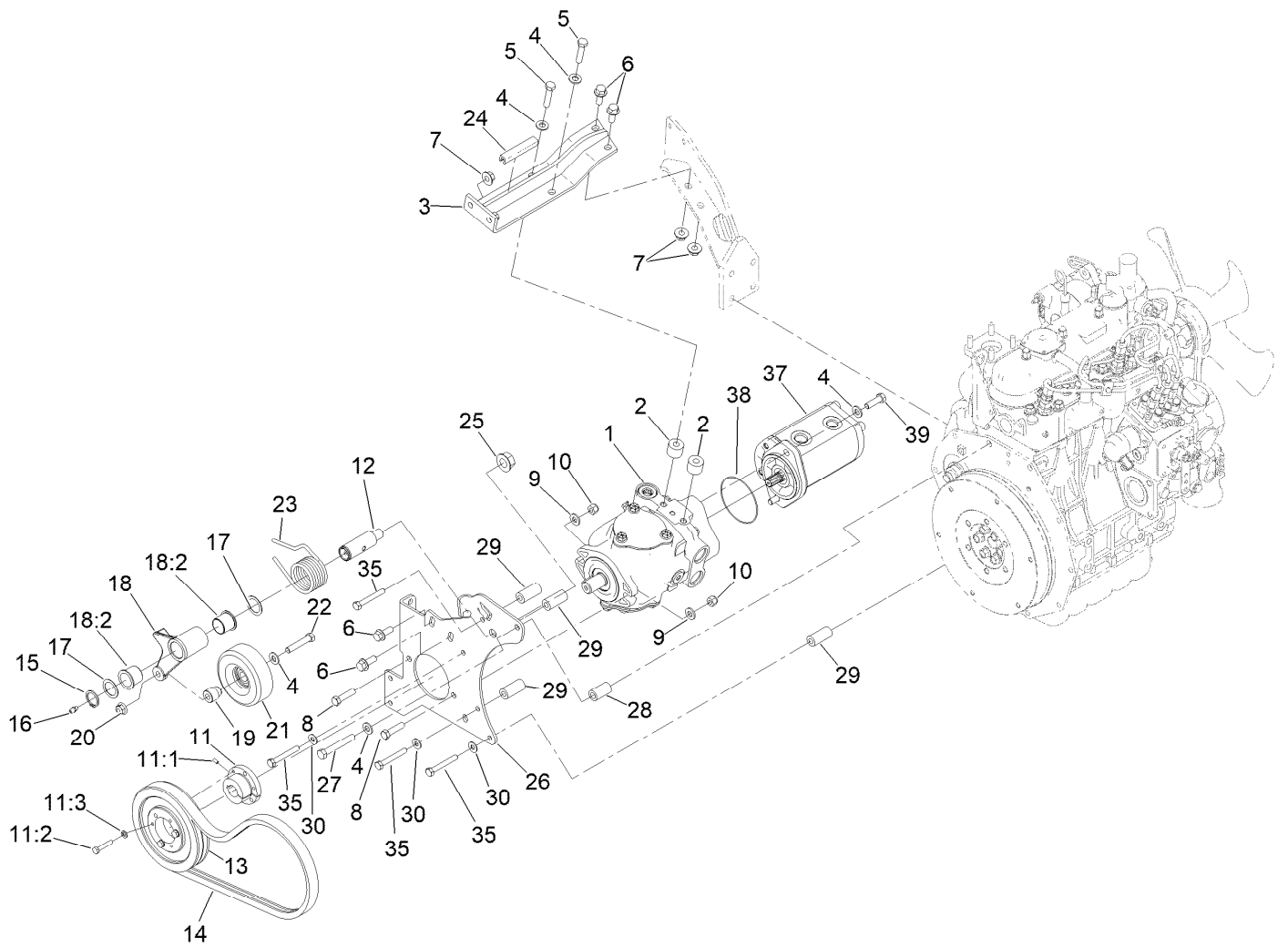
● Not serviced separately



Hydraulic Cylinder Assembly No. 121-3653

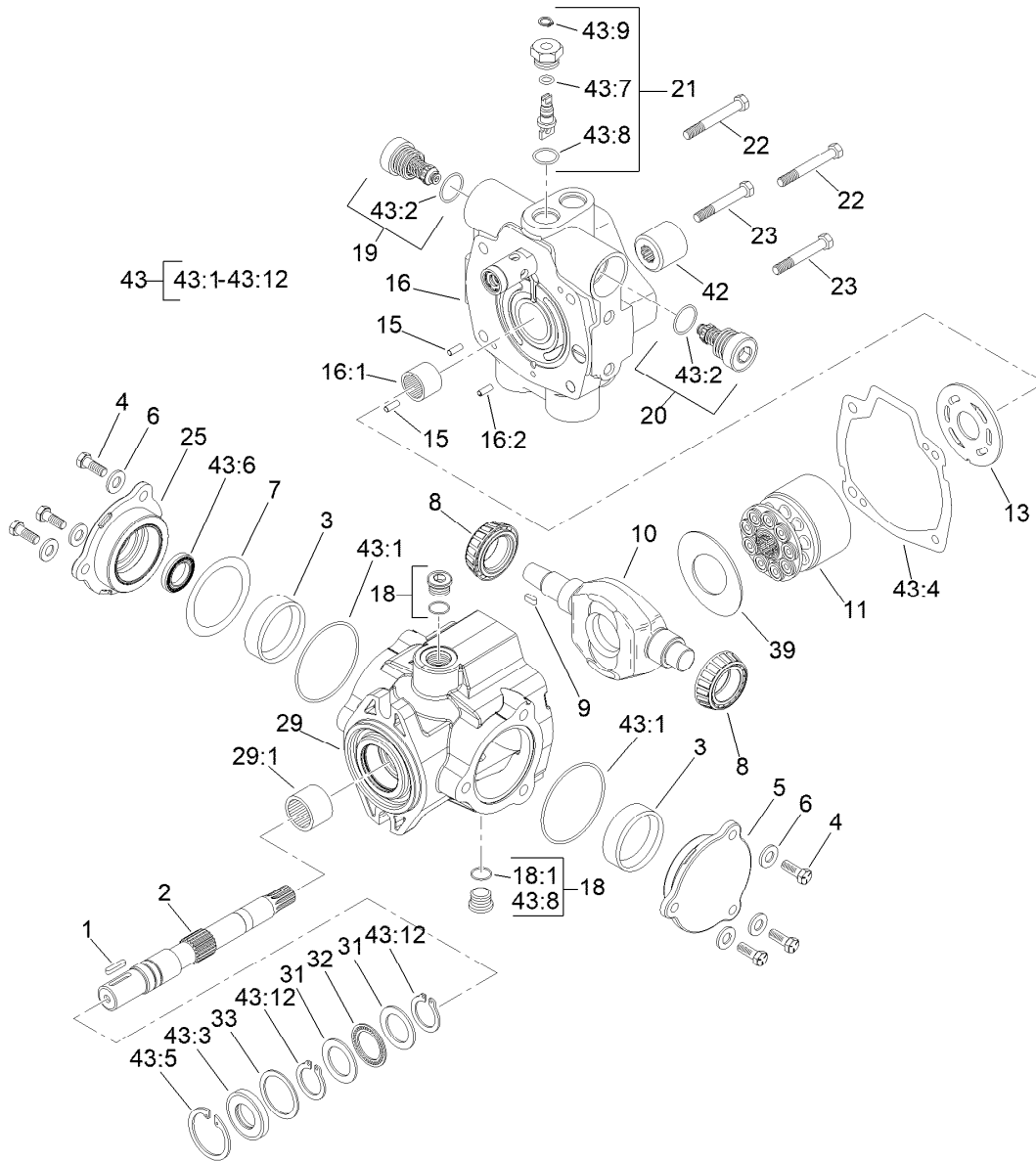
Ref.	Part Number	Qty.	Description
1	136-3278	1	Seal Kit
1:1		1	O-Ring ●
1:2		1	Backup ●
1:3		1	Psp Seal ●
1:4		1	Wear Ring ●
1:5		1	Bt Seal ●
1:6		1	Dust Seal ●
1:7		1	O-Ring ●
2		1	Rod ●
3		1	Piston ●
4		1	Head ●
5		1	Lock Nut ●
6		1	Retaining Ring ●
7		1	Square O-Ring ●

● Not serviced separately



Tandem Hydraulic Pump Assembly

Ref.	Part Number	Qty.	Description	Ref.	Part Number	Qty.	Description
1	104-4890	1	Piston Pump ASM	17	74-1810	2	Washer
2	99-3440	2	Spacer	18	137-1653	1	Idler Arm ASM
3	99-3436-0P	1	Support-Pump	18:2	126-1963	2	Bushing-Pivot
4	3256-24	6	Washer-Plain	19	95-8806	1	Spacer
5	323-19	2	Screw-HH	20	119-4042	1	Nut-HF, NI
6	3234-11	4	Screw-HHF	21	95-8802	1	Pulley-Idler
7	32128-43	4	Nut-Flange	22	323-10	1	Screw-HH
8	323-8	2	Screw-HH	23	95-8917	1	Spring-Torsion
9	100-4852	2	Washer-Hardened	24	70-2041	1	Trim - Edge
10	3296-39	2	Nut-Lock, NI	25	32128-54	1	Nut-HF
11	93-6842	1	Bushing-Lock, Taper	26	95-8933-0P	1	Plate - Pump Mount *b
11:1	3245-36	1	Screw-Set, HSH	27	42-9370	1	Screw-HH
11:2	321-13	3	Screw-HH	28	95-8736	1	Spacer
11:3	3253-3	3	Washer-Lock	29	95-8941	4	Spacer-Mount, Pump
12	99-3529	1	Shaft-Pivot, Idler	30	87-8640	3	Washer-Flat
13	93-6841	1	Pulley	35	33114-060	4	Screw-HH
14	95-8730	1	V-Belt	37	136-3743	1	Pump-Gear
15	32151-36	1	Ring-Retaining	38	353-949	1	O-Ring
16	302-5	1	Fitting-Grease	39	323-7	2	Screw-HH

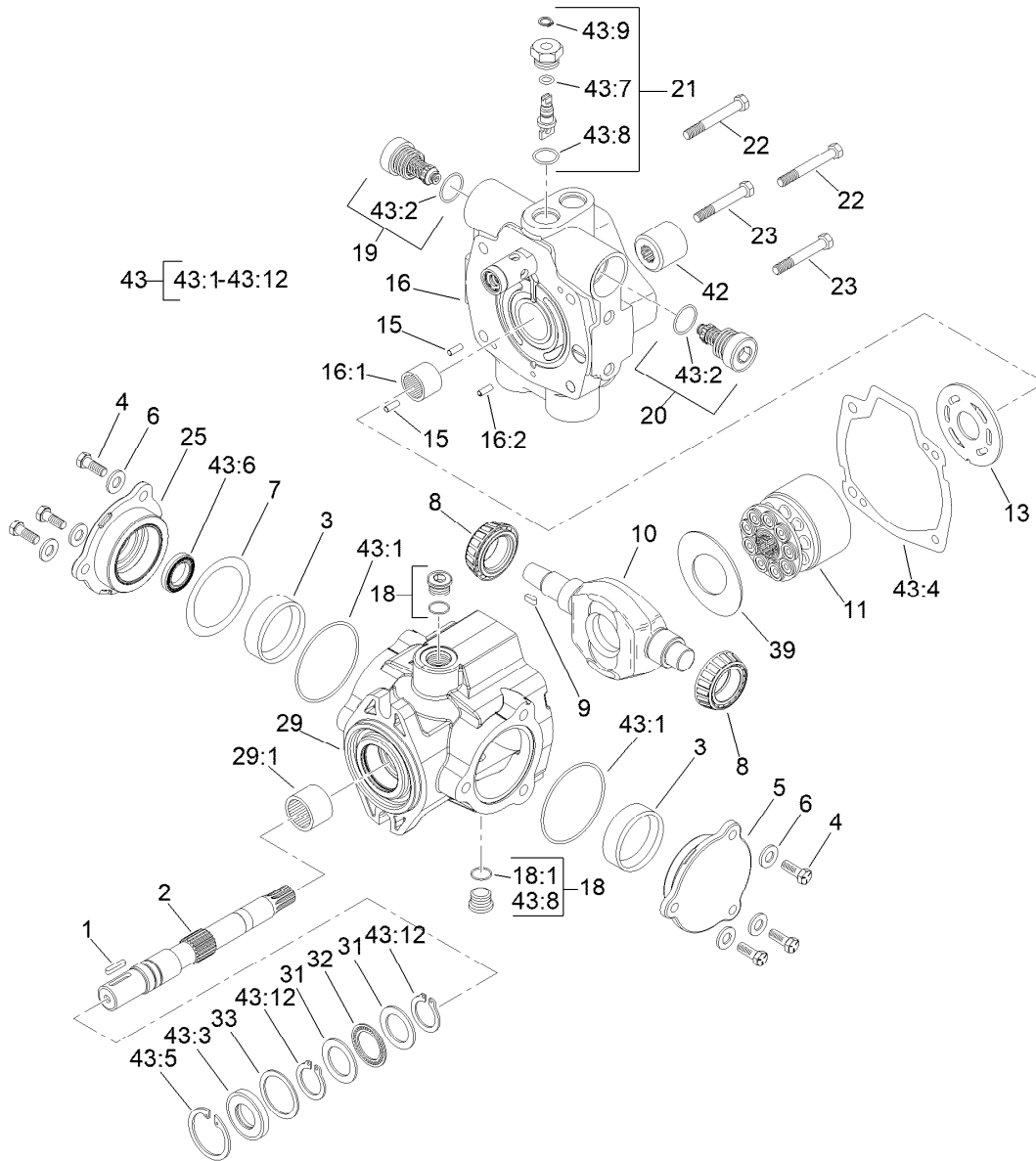


Hydraulic Pump Assembly No. 104-4890

Ref.	Part Number	Qty.	Description	Ref.	Part Number	Qty.	Description
1	94-3645	1	Key	19	104-4889	1	Relief Valve ASM
2	94-6359	1	Shaft-Drive	20	105-3812	1	Valve-Check
3	104-4046	2	Bearing-Cup	21	105-3811	1	Valve-Bypass
4	98-4640	6	Screw-Cap	22	76-6170	2	Capscrew
5	98-4644	1	Plate-Cover	23	76-6160	2	Capscrew
6	105-9762	6	Washer	25	98-4645	1	Plate-Cover
7	100-3182	2	Shim Kit	29	100-3176	1	Housing ASM
8	98-4639	2	Bearing-Cone	29:1	94-6363	1	Bearing
9	94-3646	1	Key	31	252-71	2	Washer-Thrust
10	104-4888	1	Swashplate	32	252-66	1	Bearing-Thrust
11	76-6070	1	Rotating Kit	33	33-3720	1	Washer
13	104-0429	1	Plate-Valve	39	98-4635	1	Insert-Plate, Cam
15	76-6150	2	Pin-Dowel	42	74-9040	1	Coupler
16	105-3813	1	Endcover Sub ASM	43	120-5754	1	Seal Kit
16:1	94-6368	1	Bearing	43:1		2	O-Ring ■
16:2		1	Pin-Roll ■	43:2		2	O-Ring ■
18	74-9280	2	Plug ASM	43:3		1	Seal-Shaft ■
18:1		1	O-Ring ■	43:4		1	Gasket ■

● Not illustrated

■ Not serviced separately

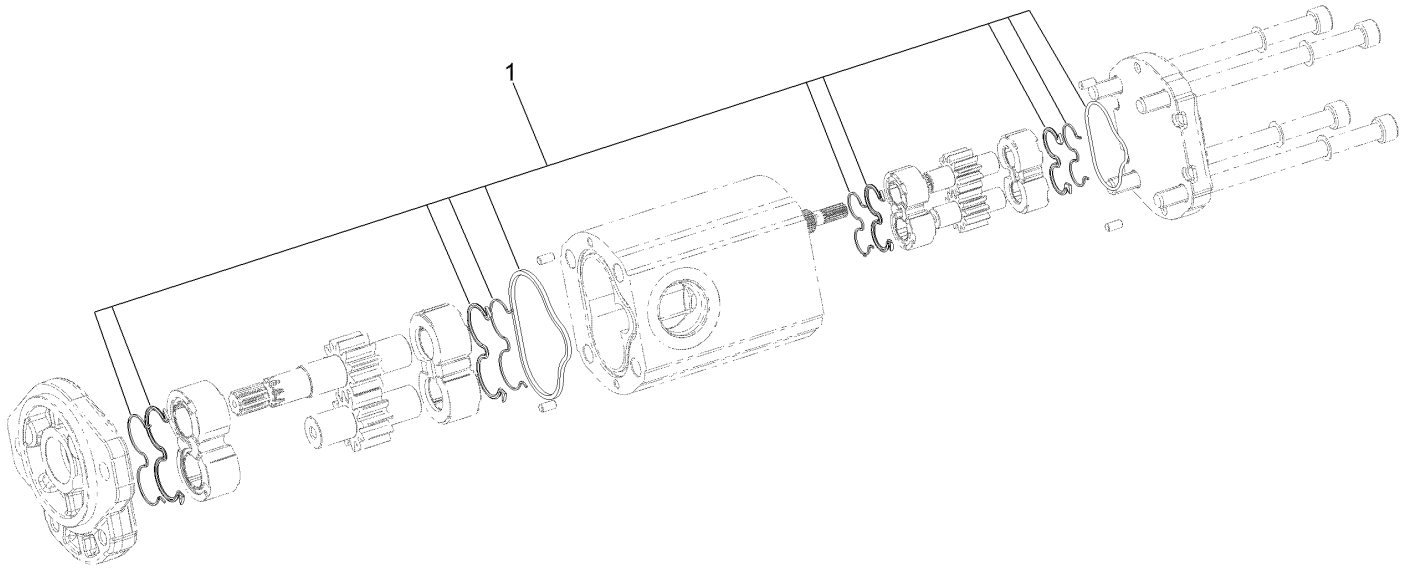


Hydraulic Pump Assembly No. 104-4890 (continued)

Ref.	Part Number	Qty.	Description	Ref.	Part Number	Qty.	Description
43:5		1	Ring-Retaining ■	43:10		1	O-Ring ●■
43:6		1	Seal-Shaft ■	43:11		1	O Ring-Molded ●■
43:7		1	O-Ring ■	43:12		2	Ring-Retaining ■
43:8		5	O-Ring ■	43:13		1	O-Ring ■●
43:9		1	Ring-Retaining ■				

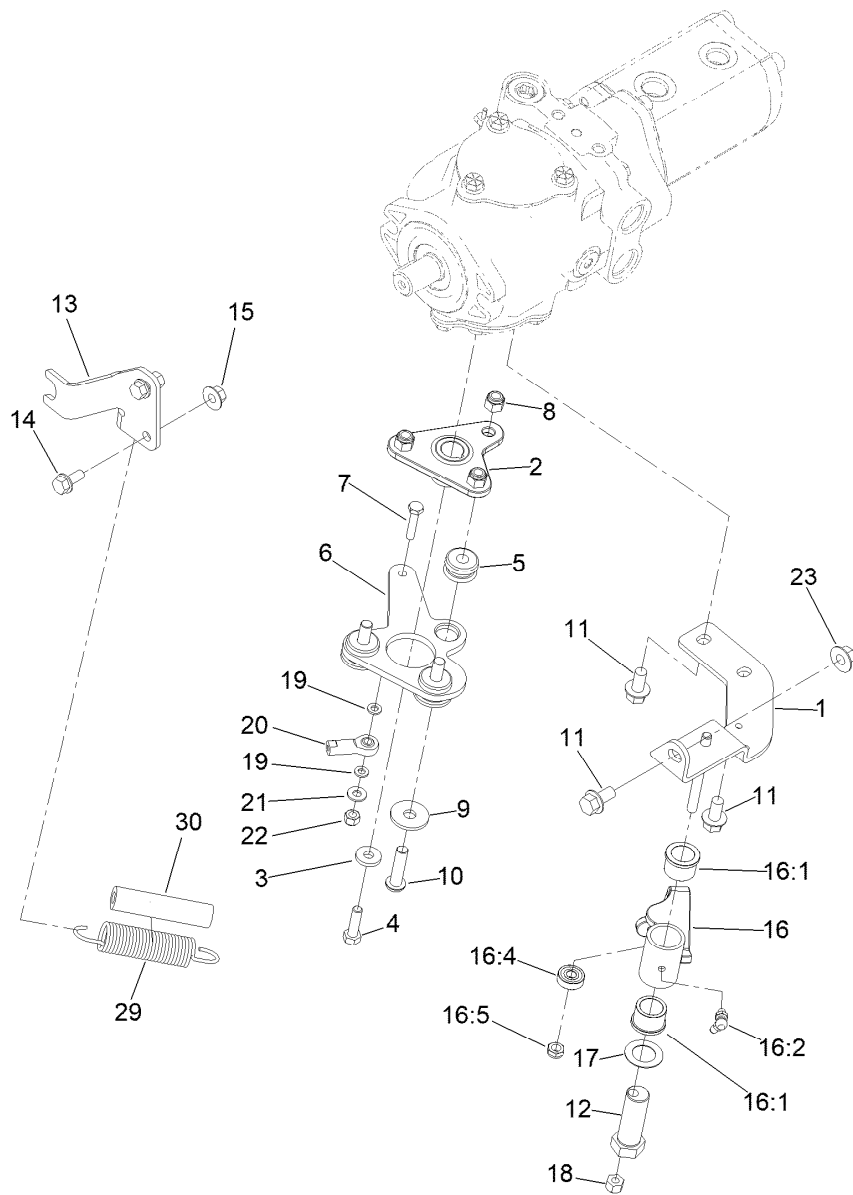
● Not illustrated

■ Not serviced separately



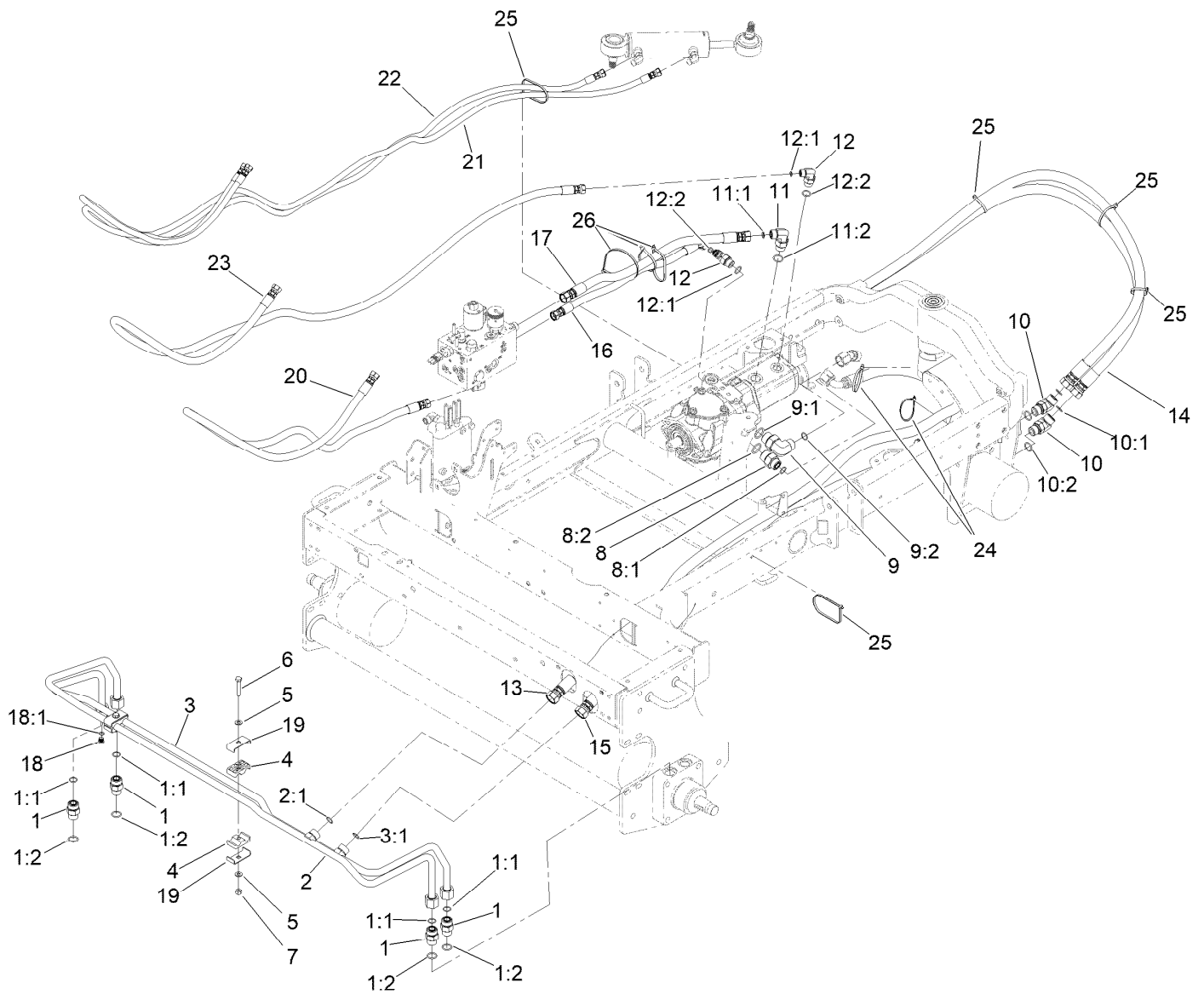
Gear Pump Assembly No. 136-3743

<i>Ref.</i>	<i>Part Number</i>	<i>Qty.</i>	<i>Description</i>
1	110-8755	1	Seal Kit



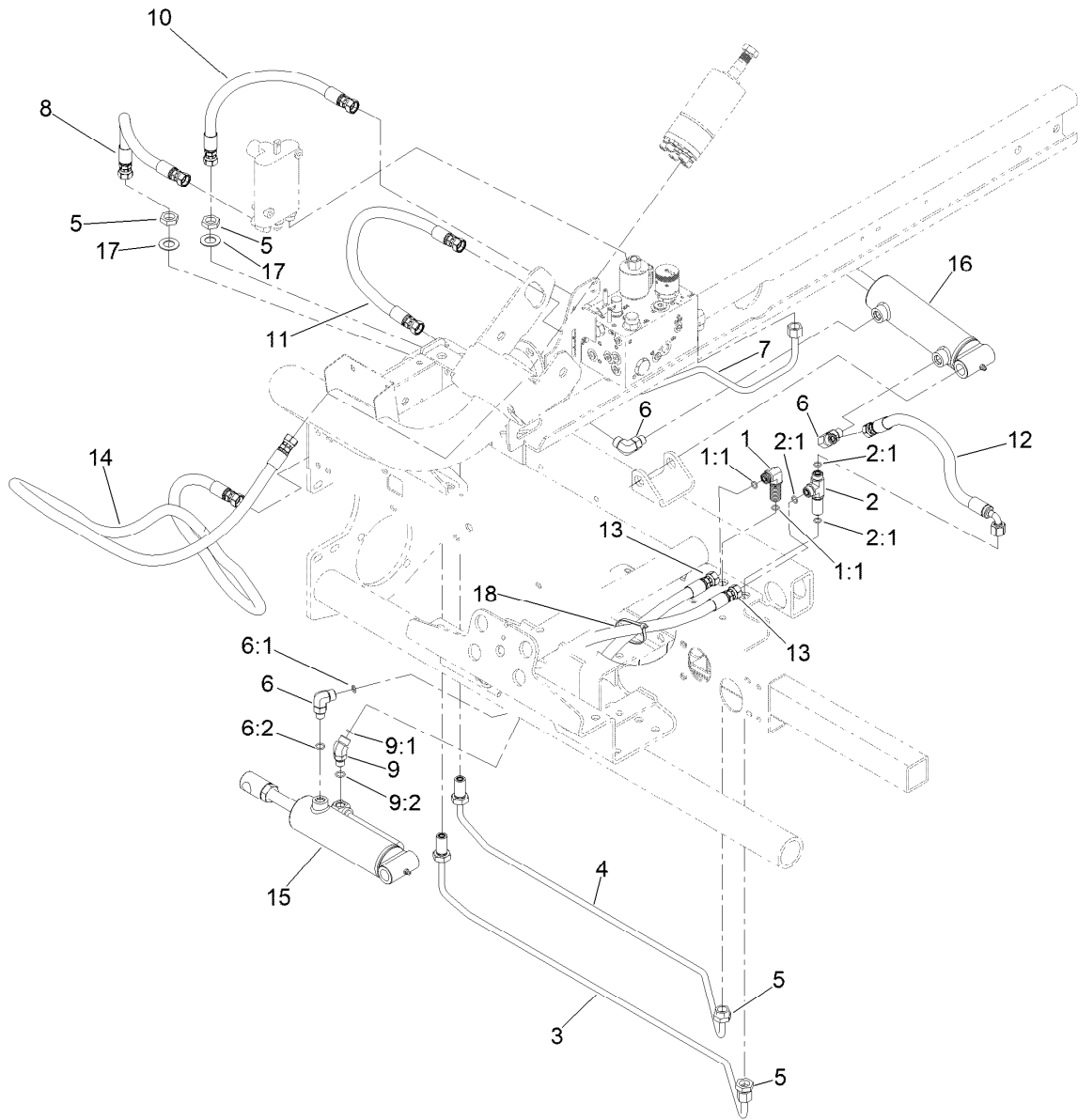
Tandem Pump Mount Assembly

<i>Ref.</i>	<i>Part Number</i>	<i>Qty.</i>	<i>Description</i>	<i>Ref.</i>	<i>Part Number</i>	<i>Qty.</i>	<i>Description</i>
1	95-8960-0P	1	Bracket-Neutral	16	140-6168	1	Neutral Arm ASM
2	120-5566	1	Hub	16:1	256-113	2	Bushing-Flange
3	88-7200	1	Washer-Flat	16:2	302-60	1	Fitting-Grease
4	3210-6	1	Screw-HH	16:4	251-259	1	Bearing-Ball
5	63-9750	3	Mount	16:5	3296-47	1	Nut-Lock,NI
6	99-3594-0P	1	Lever-Pump	17	3-6498	1	Washer-Thrust
7	321-8	1	Screw-HH	18	3296-29	1	Nut-Lock, NI
8	3296-39	3	Nut-Lock, NI	19	33093-00	2	Washer-Flat
9	2844	3	Washer	20	2411-41	1	Rod End-Ball Joint
10	95-3857	3	Screw-HSBH	21	3256-22	1	Washer-Flat
11	3234-1	3	Screw-HHF	22	3296-42	1	Nut-Lock, NI
12	76-8640	1	Stud-Traction	23	32128-43	1	Nut-Flange
13	104-0464-03	1	Bracket-Support, Cable	29	145-5262	1	Spring-Extension
14	3234-5	2	Screw-HHF	30	99-3556	1	Hose
15	32128-44	2	Nut				



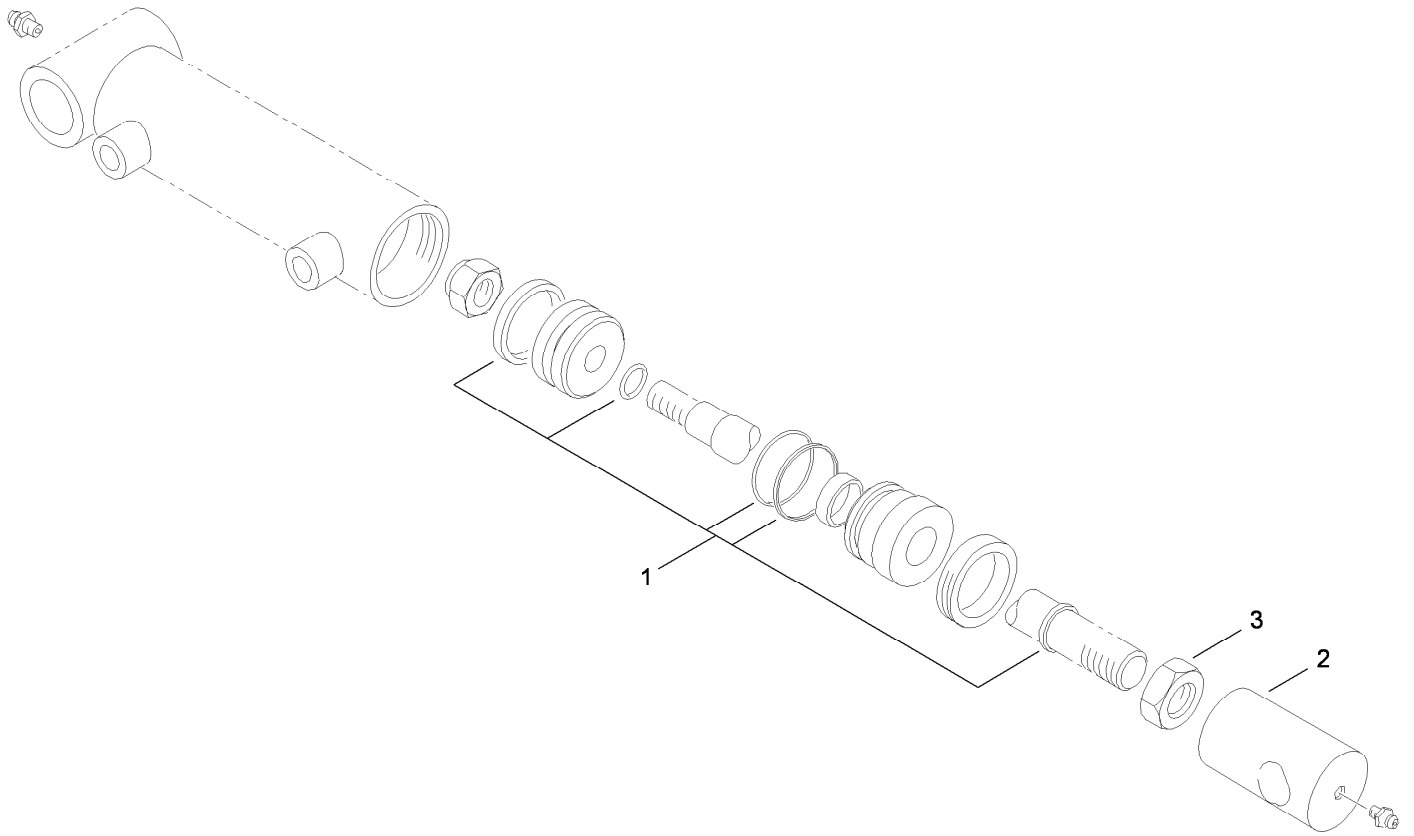
Traction and Steering Circuit Assembly

Ref.	Part Number	Qty.	Description	Ref.	Part Number	Qty.	Description
1	340-7	4	Fitting-Straight	11:1	237-80	1	O-Ring
1:1	237-65	1	O-Ring	11:2	237-30	1	O-Ring
1:2	237-80	1	O-Ring	12	340-18	2	Fitting-HYD, 90 DEG
2	95-8783	1	Tube ASM	12:1	237-79	1	O-Ring
2:1	237-65	1	O-Ring	12:2	237-22	1	O-Ring
3	95-8784	1	Tube ASM	13	105-1221	1	Hose ASM
3:1	237-65	1	O-Ring	14	105-1222	1	Hose ASM
4	56-7971	4	Clamp-Tube	15	105-1214	1	Hose-HYD
5	3256-23	4	Washer-Plain	16	106-4197	1	Hose ASM
6	322-9	2	Screw-HH	17	161-8376	1	Hose ASM
7	3296-29	2	Nut-Lock, NI	18	353-990	1	Plug ASM
8	340-8	1	Fitting-Straight	18:1	237-78	1	O-Ring
8:1	237-65	1	O-Ring	19	119-1419	4	Plate-Clamp
8:2	237-81	1	O-Ring	20	95-8842	1	Hose-HYD
9	340-139	1	Fitting-Elbow 90	21	95-8845	1	Hose ASM
9:1	237-81	1	O-Ring	22	95-8844	1	Hose ASM
9:2	237-65	1	O-Ring	23	147-6064	1	Hose ASM
10	340-14	2	Fitting-HYD, 45 DEG	24	3290-378	2	Tie-Cable
10:1	237-65	1	O-Ring	25	3290-379	5	Tie-Cable
10:2	237-80	1	O-Ring	26	3334-945	3	Tie-Cable
11	340-105	1	Fitting-Elbow, 90 DEG				



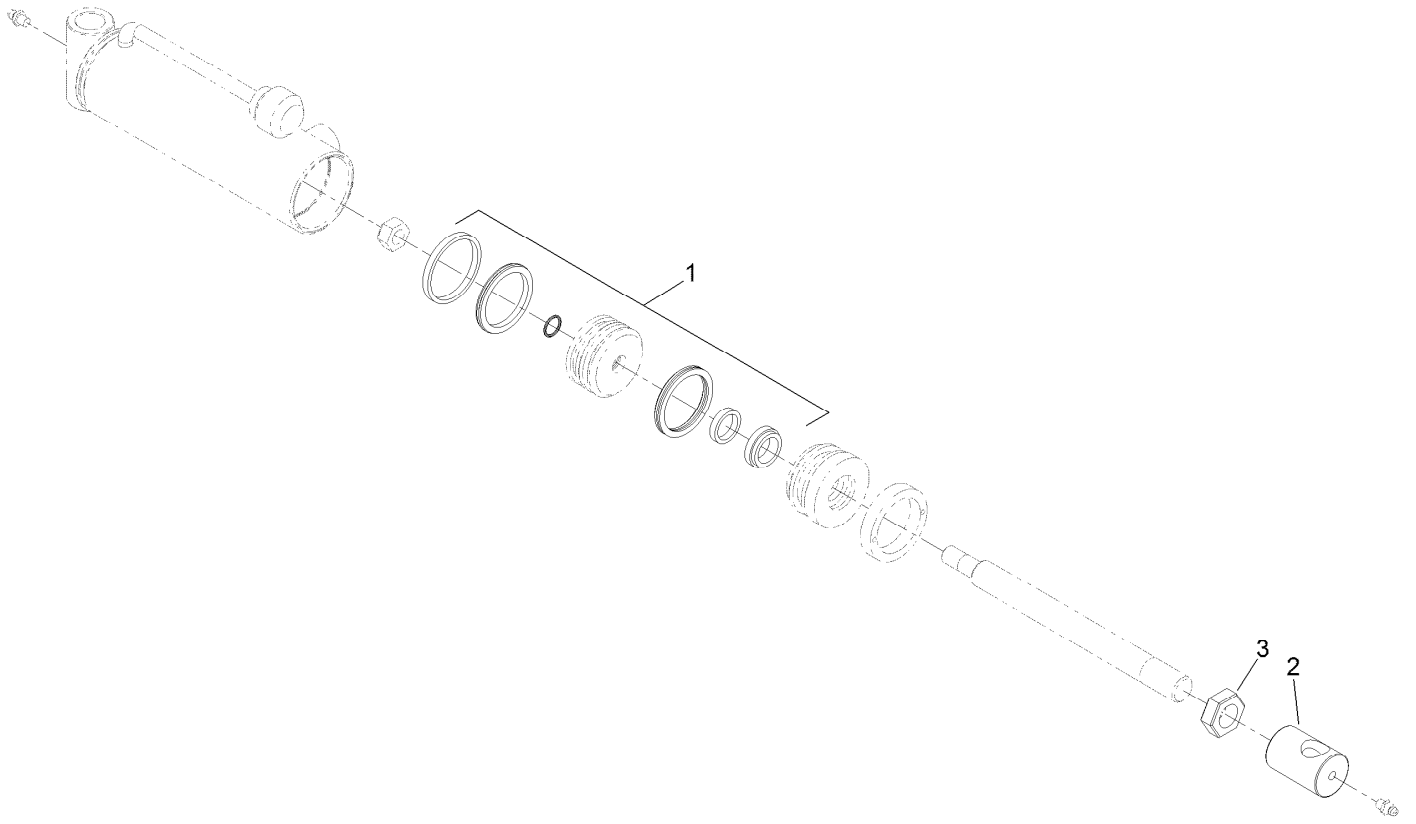
Lift Circuit Assembly

<i>Ref.</i>	<i>Part Number</i>	<i>Qty.</i>	<i>Description</i>	<i>Ref.</i>	<i>Part Number</i>	<i>Qty.</i>	<i>Description</i>
1	340-154	1	Union-Bulkhead	9	340-87	1	Fitting-Elbow, 45 DEG
1:1	237-22	2	O-Ring	9:1	237-22	1	O-Ring
2	340-68	1	Fitting-Tee, Bulkhead	9:2	237-42	1	O-Ring
2:1	237-22	3	O-Ring	10	99-3579	1	Hose-HYD
3	95-8984	1	Tube-HYD	11	99-3576	1	Hose-HYD
4	95-8983	1	Tube-HYD	12	104-2234	1	Hose-HYD
5	340-70	4	Nut-Lock	13	117-5147	2	Hose-HYD
6	340-77	3	Fitting-Elbow, 90 DEG	14	95-8843	1	Hose-HYD
6:1	237-22	1	O-Ring	15	117-5109	1	HYD Cylinder ASM
6:2	237-42	1	O-Ring	16	112-9916	1	HYD Cylinder ASM
7	99-3551	1	Tube-HYD	17	1278	2	Washer
8	99-3575	1	Hose-HYD	18	3290-378	1	Tie-Cable



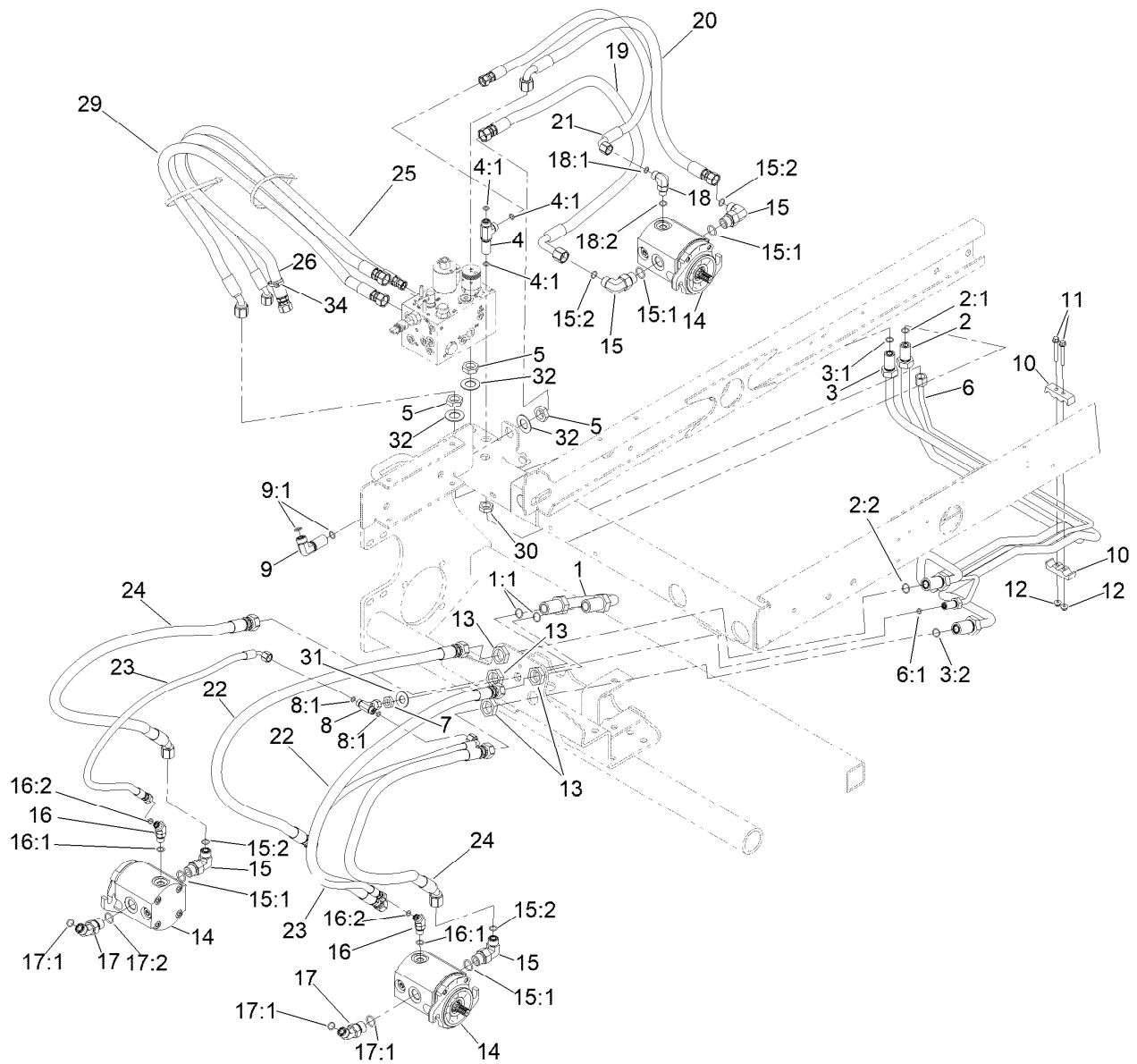
Hydraulic Cylinder Assembly No. 112-9916

<i>Ref.</i>	<i>Part Number</i>	<i>Qty.</i>	<i>Description</i>
1	115-3410	1	Seal Kit
2	108-9035	1	Clevis
3	3220-7	1	Nut-Jam



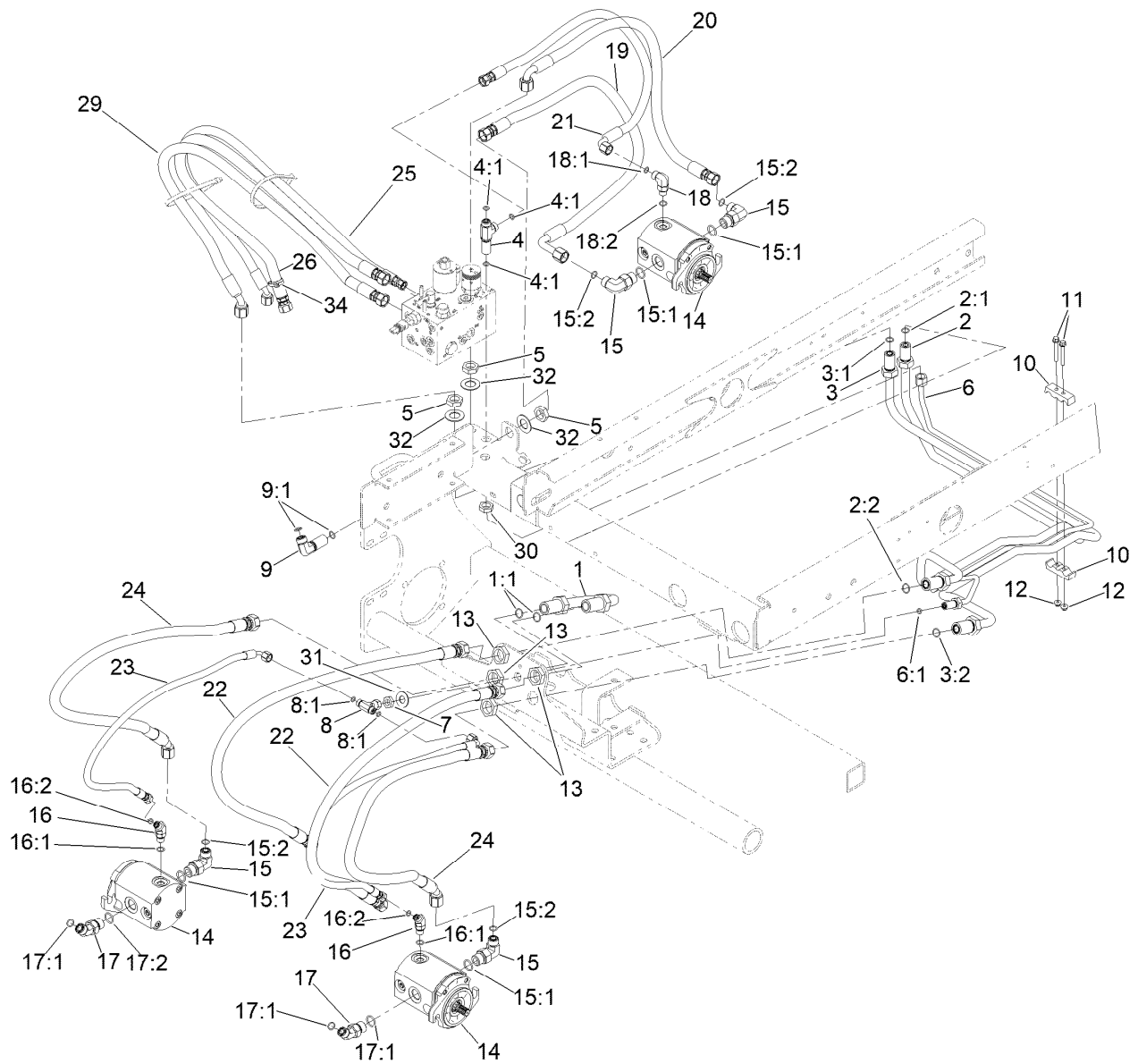
Hydraulic Cylinder Assembly No. 117-5109

<i>Ref.</i>	<i>Part Number</i>	<i>Qty.</i>	<i>Description</i>
1	115-3410	1	Seal Kit
2	108-9035	1	Clevis
3	3220-7	1	Nut-Jam



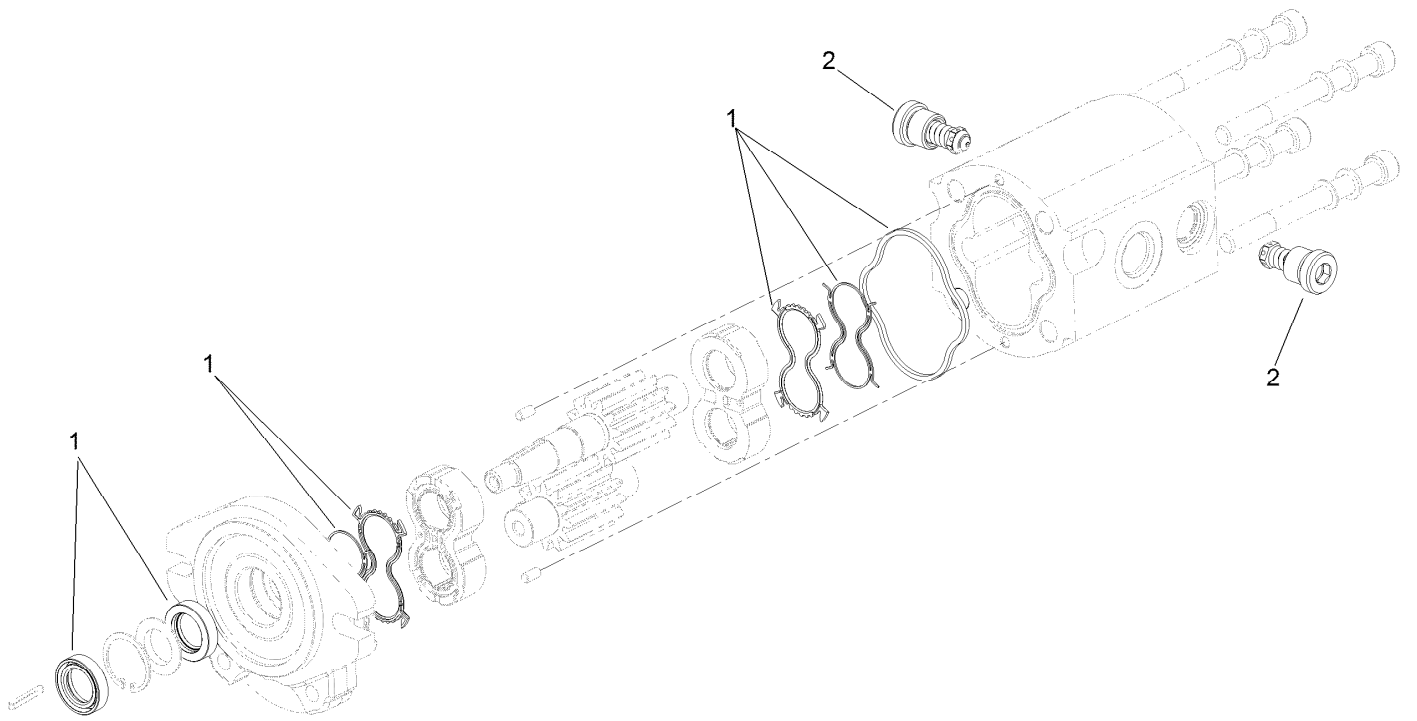
Hydraulic Mow Circuit Assembly

Ref.	Part Number	Qty.	Description	Ref.	Part Number	Qty.	Description
1	99-3640	1	Tube ASM	13	340-74	4	Nut-Lock, Bulkhead
1:1	237-65	2	O-Ring	14	115-8250	3	Gear Motor ASM
2	95-8980	1	Tube ASM	15	340-105	4	Fitting-Elbow, 90 DEG
2:1	237-30	1	O-Ring	15:1	237-80	1	O-Ring
2:2	237-65	1	O-Ring	15:2	237-30	1	O-Ring
3	95-8981	1	Tube ASM	16	340-137	2	Fitting
3:1	237-30	1	O-Ring	16:1	237-21	1	O-Ring
3:2	237-65	1	O-Ring	16:2	237-42	1	O-Ring
4	340-68	1	Fitting-Tee, Bulkhead	17	340-89	2	Fitting-HYD, 45 DEG
4:1	237-22	3	O-Ring	17:1	237-30	1	O-Ring
5	340-127	3	Nut-Bulkhead	17:2	237-80	1	O-Ring
6	95-8982	1	Tube ASM	18	340-77	1	Fitting-Elbow, 90 DEG
6:1	237-21	1	O-Ring	18:1	237-22	1	O-Ring
7	340-78	1	Nut-Lock	18:2	237-42	1	O-Ring
8	99-3477	1	Fitting-Tee	19	117-5145	1	Hose-HYD
8:1	237-21	2	O-Ring	20	117-5146	1	Hose-HYD
9	93-9151	1	Fitting-HYD	21	114-5500	1	Hose-HYD
9:1	237-30	2	O-Ring	22	117-5142	2	Hose-HYD
10	93-2509	2	Clamp-Tube	23	117-5144	2	Hose-HYD
11	3234-34	2	Screw-HHF	24	117-5143	2	Hose-HYD
12	104-7201	2	Nut-HF, NI	25	115-3412	1	Hose-HYD



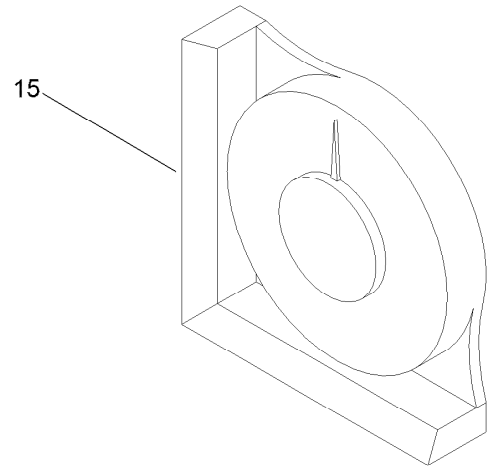
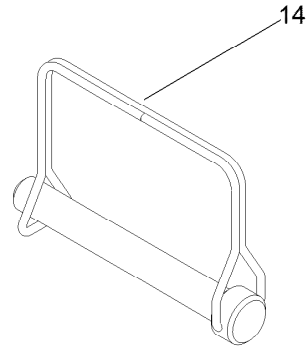
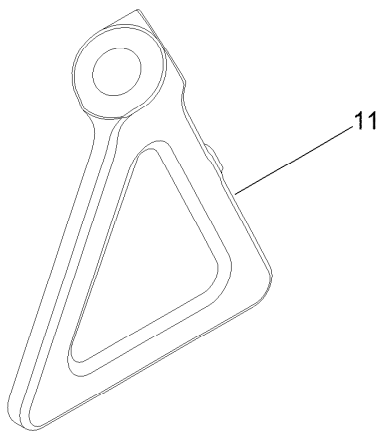
Hydraulic Mow Circuit Assembly (continued)

<i>Ref.</i>	<i>Part Number</i>	<i>Qty.</i>	<i>Description</i>	<i>Ref.</i>	<i>Part Number</i>	<i>Qty.</i>	<i>Description</i>
26	99-3578	1	Hose-HYD	31	69-8980	1	Washer
29	99-3574	1	Hose-HYD	32	69-8930	3	Washer
30	340-70	1	Nut-Lock	34	3290-378	1	Tie-Cable



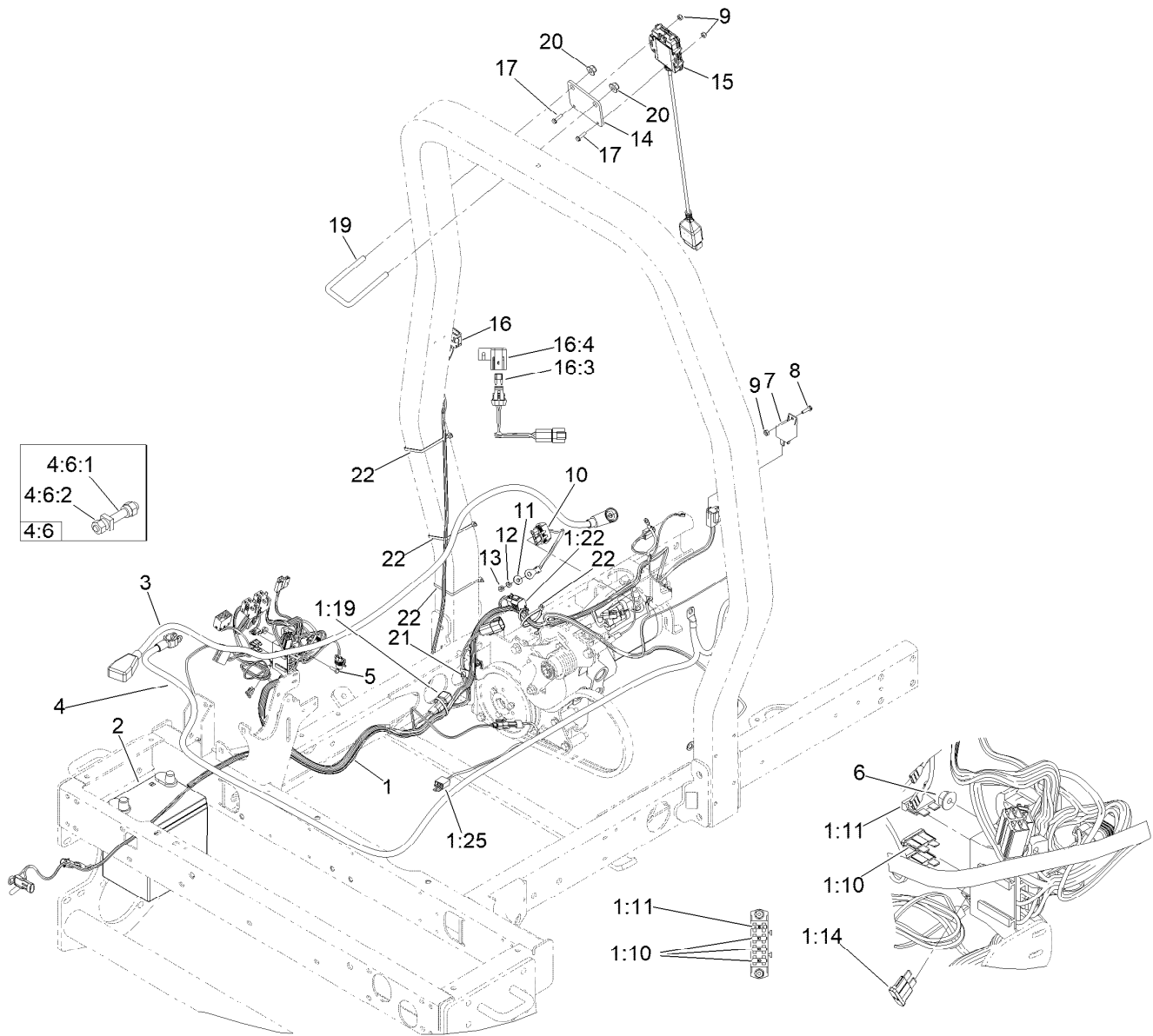
Gear Motor Assembly No. 115-8250

<i>Ref.</i>	<i>Part Number</i>	<i>Qty.</i>	<i>Description</i>
1	145-2784	1	Seal Kit
2	117-5107	2	Valve-Check



Optional Tool Assembly

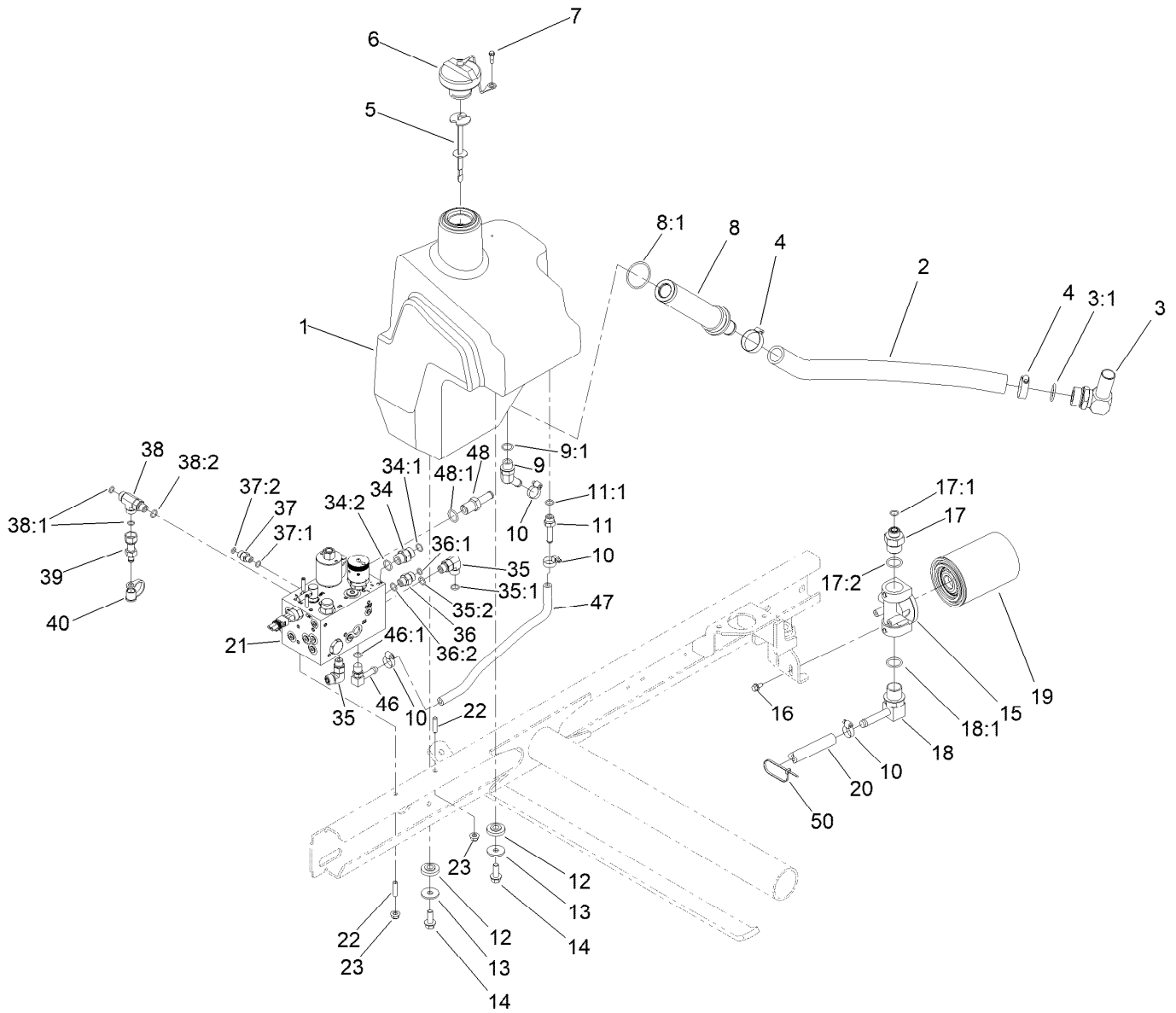
<i>Ref.</i>	<i>Part Number</i>	<i>Qty.</i>	<i>Description</i>
11	119-8010-03	1	Kickstand
14	107-7400	1	Pin-Lynch
15	99-3503	1	Indicator-Angle



Wire Harness and Battery Assembly

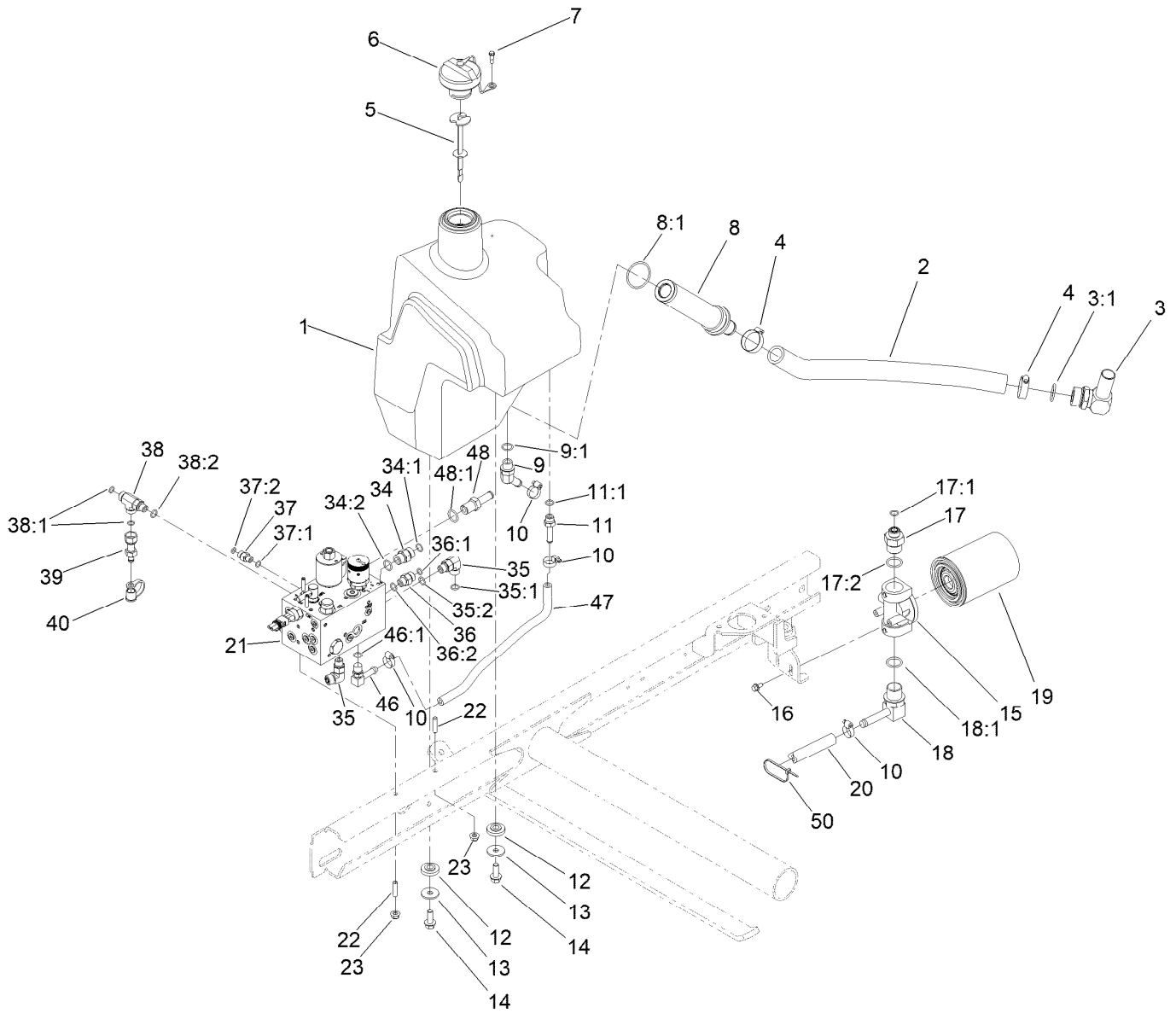
Ref.	Part Number	Qty.	Description	Ref.	Part Number	Qty.	Description
1	122-2738	1	Harness-Wire, Main	8	32105-13	1	Screw-HWH
1:10	218-578	3	Fuse-Blade, 10 Amp	9	3296-2	3	Nut-Lock, NI
1:11	109355	1	Fuse-Blade, 15 Amp	10	99-3441	1	Harness-Wire, Fusible Link
1:14	94-6710	1	Fuse-2 Amp	11	3256-78	1	Washer-Flat
1:19	100-4918	1	Diode	12	43-5930	1	Washer-Lock, Spring
1:22	32180-156	1	Cap-Plug, 6 Way	13	48-7890	1	Nut-Hex
1:25	122-2708	1	Harness-Wire, Seat Switch	14	161-8395-03	1	Bracket-Lmu
2	161-6891	1	Battery-Wet, 12V, 540 CCA	15	122-3876	1	Gateway-Telematics Lite
3	95-8853	1	Cable-Battery, Positive	16	122-2161	1	Harness-Wire
4	95-8854	1	Cable-Battery, Negative	16:3	121-8861	1	Fuse-Mini Blade, 2 Amp
4:6		1	Bolt ASM ●	16:4	32180-101	1	Cover-Fuse, Single
4:6:1	32180-107	1	Bolt-Clamp, Battery	17	3290-126	2	Screw-HWH
4:6:2	32180-108	2	Nut-Hex Shoulder	19	138-8991	1	U-Bolt-Sq
5	3290-134	2	Screw	20	119-4042	2	Nut-HF, NI
6	3290-148	2	Nut-HF	21	3290-378	9	Tie-Cable
7	99-7435	1	Relay	22	3290-379	10	Tie-Cable

● Not serviced separately



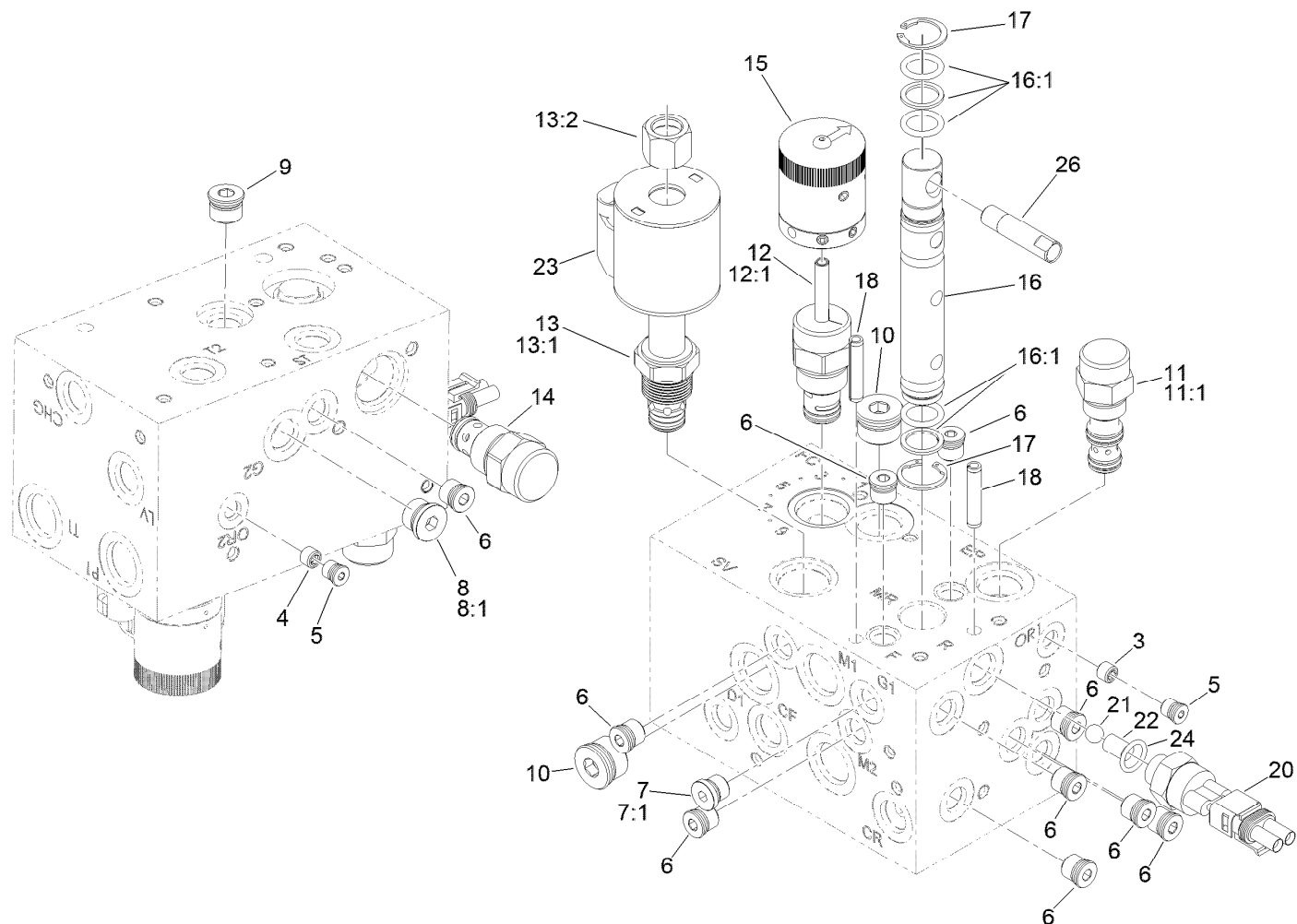
Hydraulic Tank Assembly

Ref.	Part Number	Qty.	Description	Ref.	Part Number	Qty.	Description
1	104-4840	1	Tank-HYD	17:1	237-30	1	O-Ring
2	104-4845	1	Hose-Suction	17:2	237-81	1	O-Ring
3	56-9530	1	Fitting-HYD, 90 DEG	18	95-8814	1	Fitting-90
3:1	237-117	1	O-Ring	18:1	237-81	1	O-Ring
4	2412-34	2	Clamp-Hose	19	86-3010	1	Filter-Oil
5	119-6968	1	Dipstick-Oil	20	99-3501	1	Hose
6	93-7160	1	Cap-Oil, HYD	21	163-2623	1	Manifold ASM
7	57-5420	1	Screw-Shoulder	22	104-0430	2	Stud
8	104-7546	1	Tank Strainer ASM	23	119-4041	2	Nut-HF
8:1	340-136	1	O-Ring	34	340-4	3	Fitting-Straight
9	354-126	1	Fitting-Elbow, 45	34:1	237-30	1	O-Ring
9:1	237-79	1	O-Ring	34:2	237-79	1	O-Ring
10	2412-36	4	Clamp-Hose	35	340-77	2	Fitting-Elbow, 90 DEG
11	353-979	1	Fitting-STR	35:1	237-22	1	O-Ring
11:1	237-42	1	O-Ring	35:2	237-42	1	O-Ring
12	240-11	4	Bushing-Flange	36	340-2	2	Fitting-Straight
13	63-8410	4	Washer	36:1	237-22	1	O-Ring
14	3234-11	4	Screw-HHF	36:2	237-42	1	O-Ring
15	92-5821	1	Head-Filter	37	340-92	1	Fitting-Straight
16	3234-13	2	Screw-HHF	37:1	237-78	1	O-Ring
17	100-4240	1	Fitting-STR	37:2	237-21	1	O-Ring



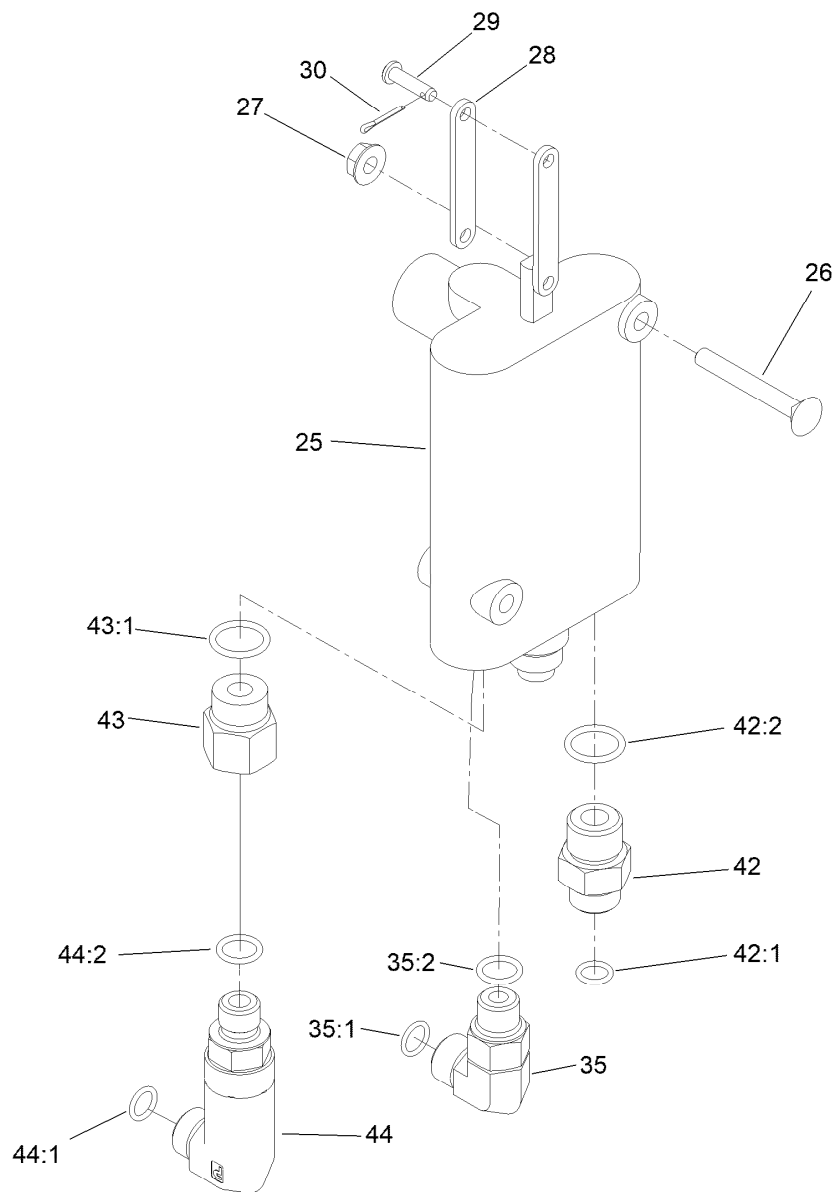
Hydraulic Tank Assembly (continued)

<i>Ref.</i>	<i>Part Number</i>	<i>Qty.</i>	<i>Description</i>	<i>Ref.</i>	<i>Part Number</i>	<i>Qty.</i>	<i>Description</i>
38	340-86	1	Fitting-Tee	46:1	237-42	1	O-Ring
38:1	237-22	2	O-Ring	47	164-1865	1	Hose-HYD
38:2	237-42	1	O-Ring	48	354-121	1	Fitting-STR
39	86-5480	1	Nipple-Test	48:1	237-79	1	O-Ring
40	354-79	1	Cap-Dust	50	3290-379	2	Tie-Cable
46	100-4887	1	Fitting-Elbow, 90				



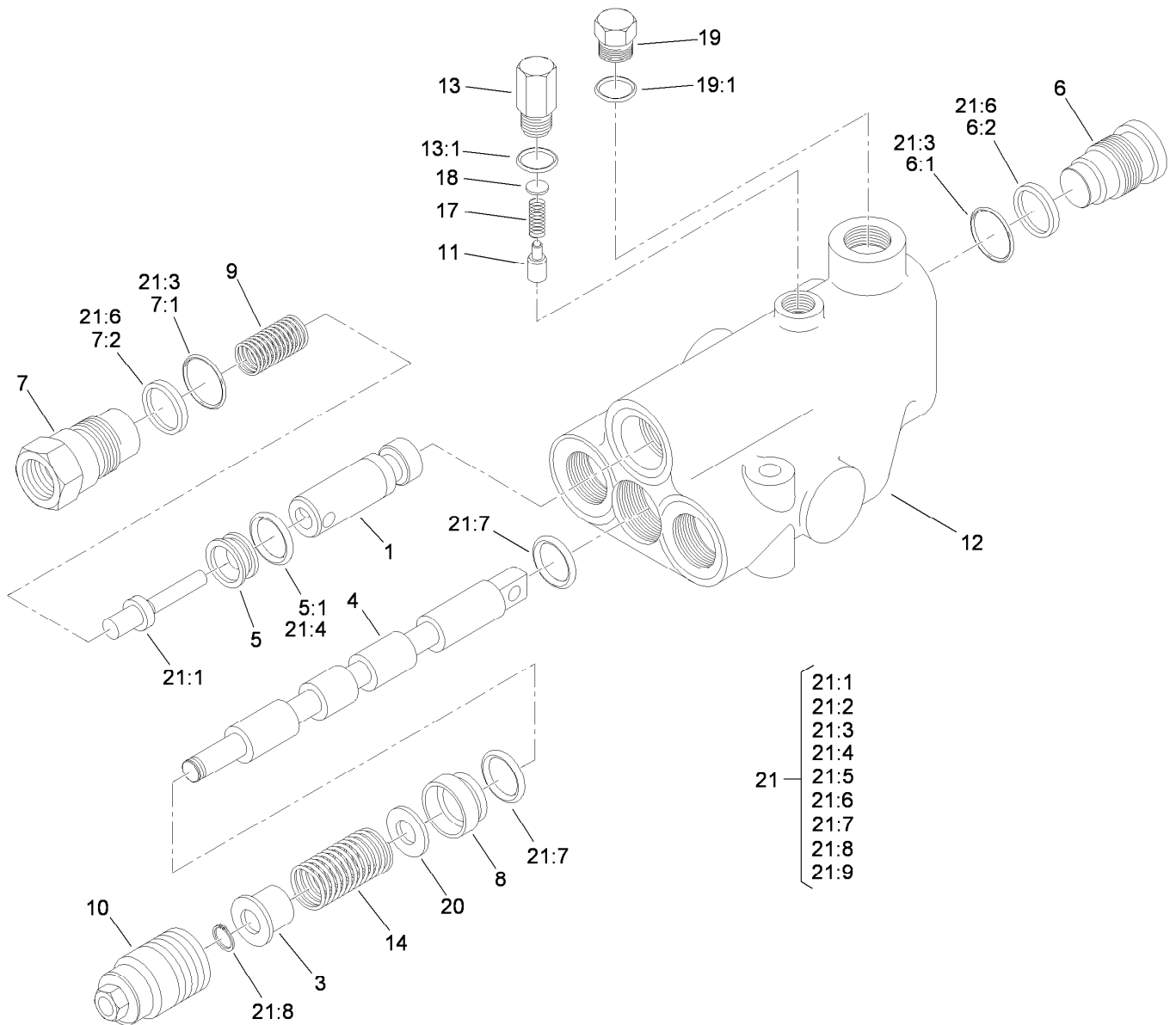
Hydraulic Manifold Assembly No. 163-2623

Ref.	Part Number	Qty.	Description	Ref.	Part Number	Qty.	Description
3	110-8771	1	Orifice-.020	13:1	110-6316	1	Seal Kit
4	110-8760	1	Orifice-.073	13:2	130-8180	1	Nut-Coil (9/16-24 Unef-2B)
5	106-1024	2	Plug-Leak, Zero	14	163-2621	1	Valve-Relief
6	106-1025	10	Plug-HYD	15	110-8767	1	Rotary Handle ASM
7	353-512	1	Plug	16	117-0108	1	Spool-Rotary
7:1	237-78	1	O-Ring	16:1	117-0109	1	Seal Kit
8	353-508	1	Plug-HH	17	112-6532	2	Ring-Retaining
8:1	237-42	1	O-Ring	18	112-6531	2	Pin-Spring
9	106-1026	1	Plug-HYD	20	72-4310	1	Switch-Ball
10	106-1027	2	Plug	21	117-4605	1	Ball-SS
11	110-8890	1	Element-Logic	22	120-1650	1	Pin
11:1	110-8773	1	Seal Kit	23	110-6344	1	Coil-12V, DC
12	147-3068	1	Valve-Control, Manual Flow	24	110-8757	1	O-Ring
12:1	132-6231	1	Seal Kit	26	110-8758	1	Handle-Spool
13	110-8768	1	Valve-Relief, Solenoid (3000 PSI)				



Control Valve Assembly

Ref.	Part Number	Qty.	Description	Ref.	Part Number	Qty.	Description
25	95-8689	1	Single Spool Control Valve ASM	35:2	237-42	1	O-Ring
26	3230-33	2	Screw-CARR	42	340-3	1	Fitting-Straight
27	32128-33	2	Nut-HF	42:1	237-22	1	O-Ring
28	95-8634	2	Link	42:2	237-79	1	O-Ring
29	283-16	2	Pin-Clevis	43	353-397	1	Reducer-Adapter
30	3272-1	2	Pin-Cotter	43:1	237-79	1	O-Ring
35	340-77	1	Fitting-Elbow, 90 DEG	44	145-2645	1	Fitting-Elbow 90 Long
35:1	237-22	1	O-Ring	44:1	237-22	1	O-Ring
				44:2	237-42	1	O-Ring

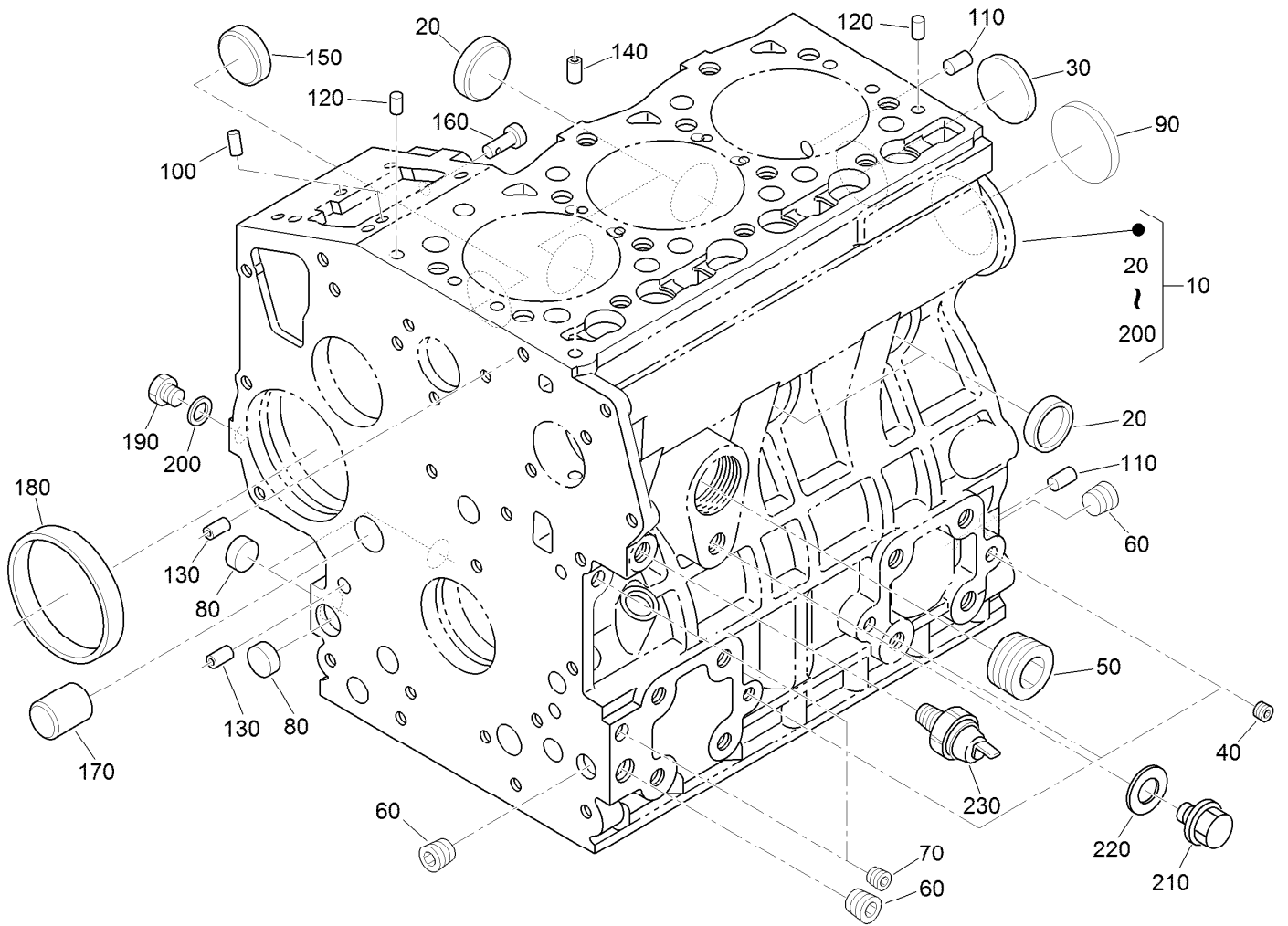


Single Spool Control Valve Assembly No. 95-8689

Ref.	Part Number	Qty.	Description
1	99-3586	1	Plunger
3	58-6310	1	Spacer
4		1	Spool ●
5	58-6330	1	Seat
5:1	58-6340	1	O-Ring
6	58-6350	1	Plug
6:1	60-5720	1	O-Ring
6:2	58-6370	1	Washer
7	69-1800	1	Plug ASM
7:1	60-5720	1	O-Ring
7:2	58-6370	1	Washer
8	58-6400	1	Bushing
9	69-1810	1	Spring
10	58-6420	1	Cap
11	99-3585	1	Detent-Plunger
12		1	Body ●
13	99-3588	1	Plug ASM

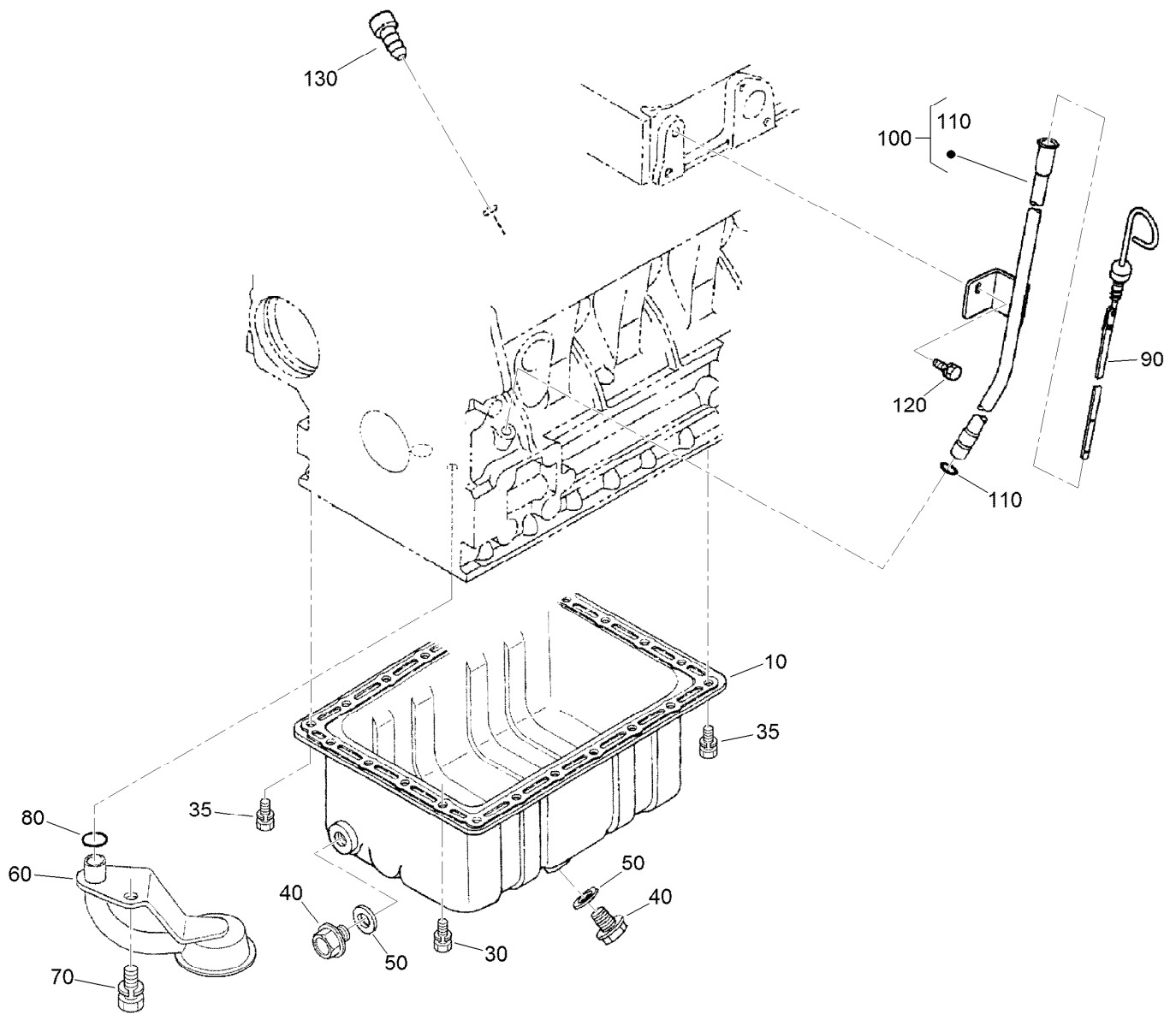
Ref.	Part Number	Qty.	Description
13:1	60-6410	1	O-Ring
14	99-3531	1	Spring
17	99-3587	1	Spring
18	60-6450	1	Disc
19	353-989	1	Plug-Hex, Hollow
19:1	237-42	1	O-Ring
20	65-2770	1	Washer
21	99-3589	1	Seal Kit
21:1	58-6290	2	Poppet
21:2	58-6320	1	Wiper
21:3	60-5720	2	O-Ring
21:4	58-6340	2	O-Ring
21:5	93-6314	1	O-Ring
21:6	58-6370	2	Washer
21:7	58-6450	2	O-Ring
21:8	58-6460	1	Ring-Retaining
21:9		1	O-Ring ●

● Not serviced separately



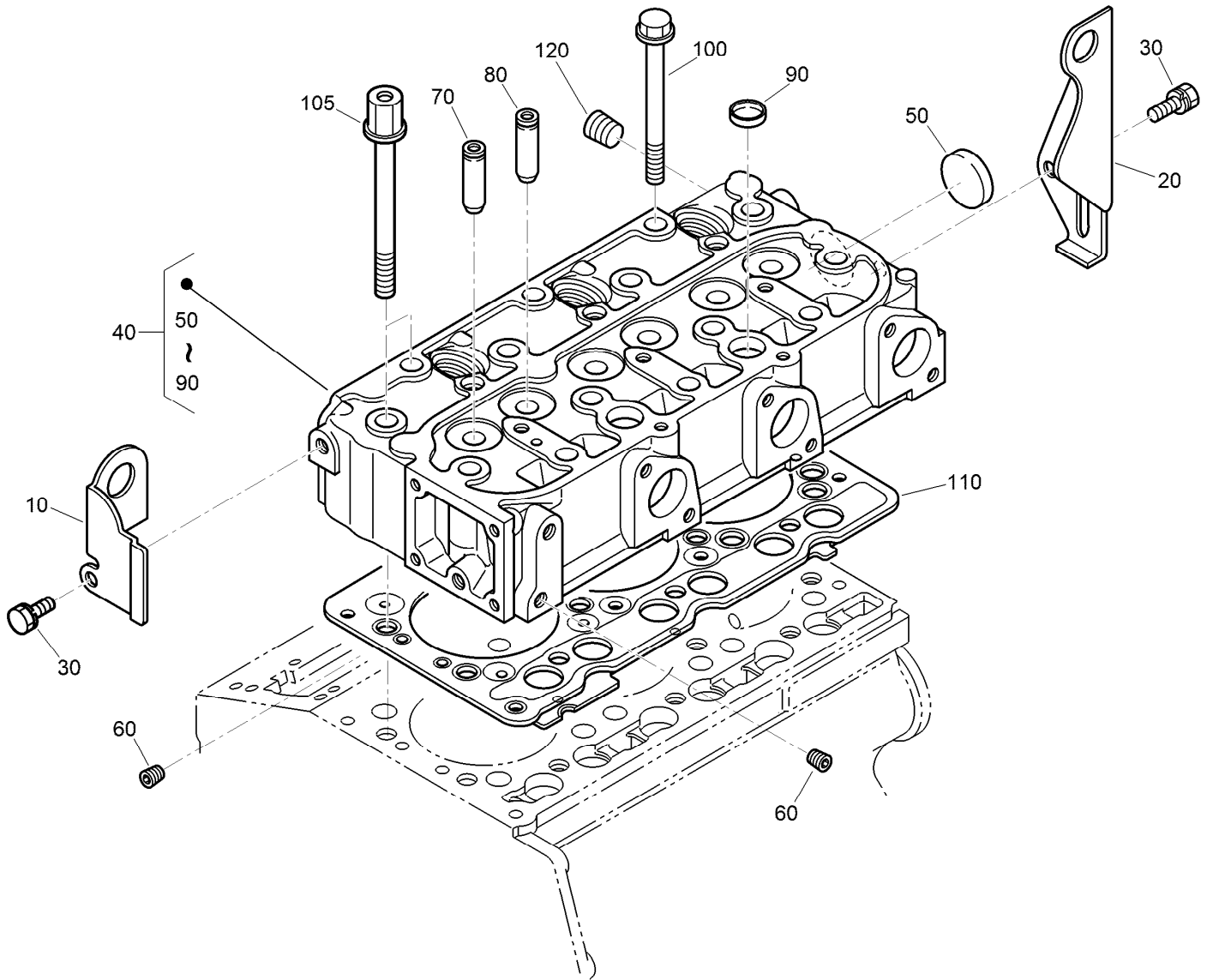
Crankcase Assembly

<i>Ref.</i>	<i>Part Number</i>	<i>Qty.</i>	<i>Description</i>	<i>Ref.</i>	<i>Part Number</i>	<i>Qty.</i>	<i>Description</i>
10	115-3443	1	Crankcase ASM	130	98-9387	2	Pin-Pipe
20	98-9398	4	Cap-Sealing	140	98-9539	1	Pin-Pipe
30	98-7539	1	Cap-Sealing	150	98-9599	1	Plug
40	98-9687	3	Plug	160	98-9630	1	Pin-Spring, Start
50	105-3779	1	Plug	170	98-9675	1	Plug
60	98-9597	3	Plug	180	98-9656	1	Bushing-Governor, Gear
70	98-7487	2	Plug	190	120-2559	1	Plug
80	98-9379	3	Plug-Expansion	200	98-7428	1	Gasket
90	98-9668	1	Plug-Expansion	210	99-3447	1	Plug
100	98-9375	2	Pin-Straight	220	106-7056	1	Gasket
110	98-9377	2	Pin-Straight	230	98-9416	1	Switch-Oil
120	98-9376	2	Pin-Straight				



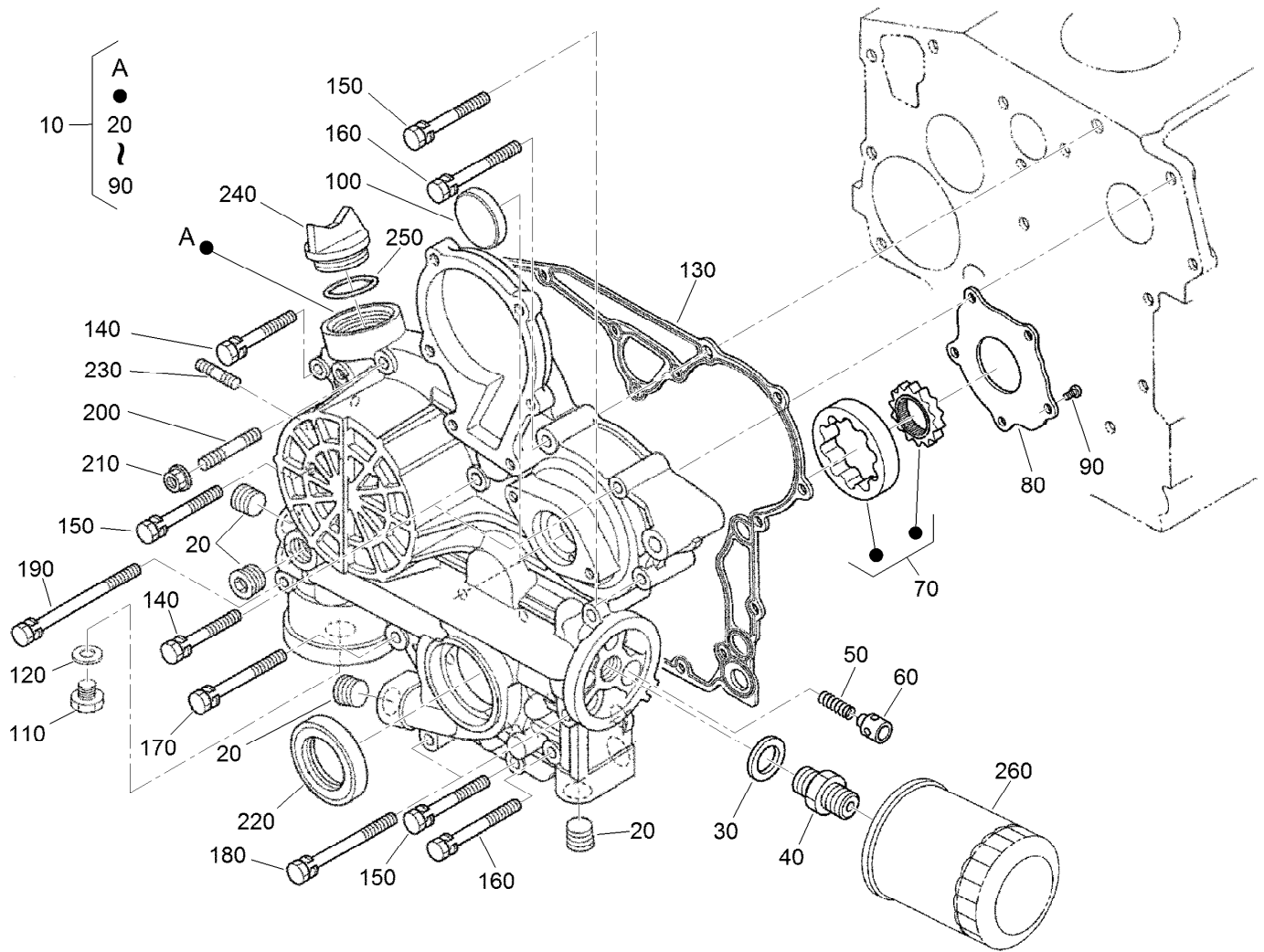
Oil Pan and Dipstick Assembly

Ref.	Part Number	Qty.	Description
10	98-9685	1	Pan-Oil
30	98-9351	20	Bolt
35	98-9351	2	Bolt
40	114-8151	1	Plug-Drain
50	98-7524	1	Gasket
60	108-1401	1	Base-Filter
70	98-7526	1	Bolt
80	105-3776	1	O-Ring
90	98-9670	1	Gauge-Oil
100	98-9672	1	Oil Gauge Guide ASM
110	98-9722	1	O-Ring
120	100-9195	1	Bolt
130	110-3720	1	Plug-Gauge, Oil



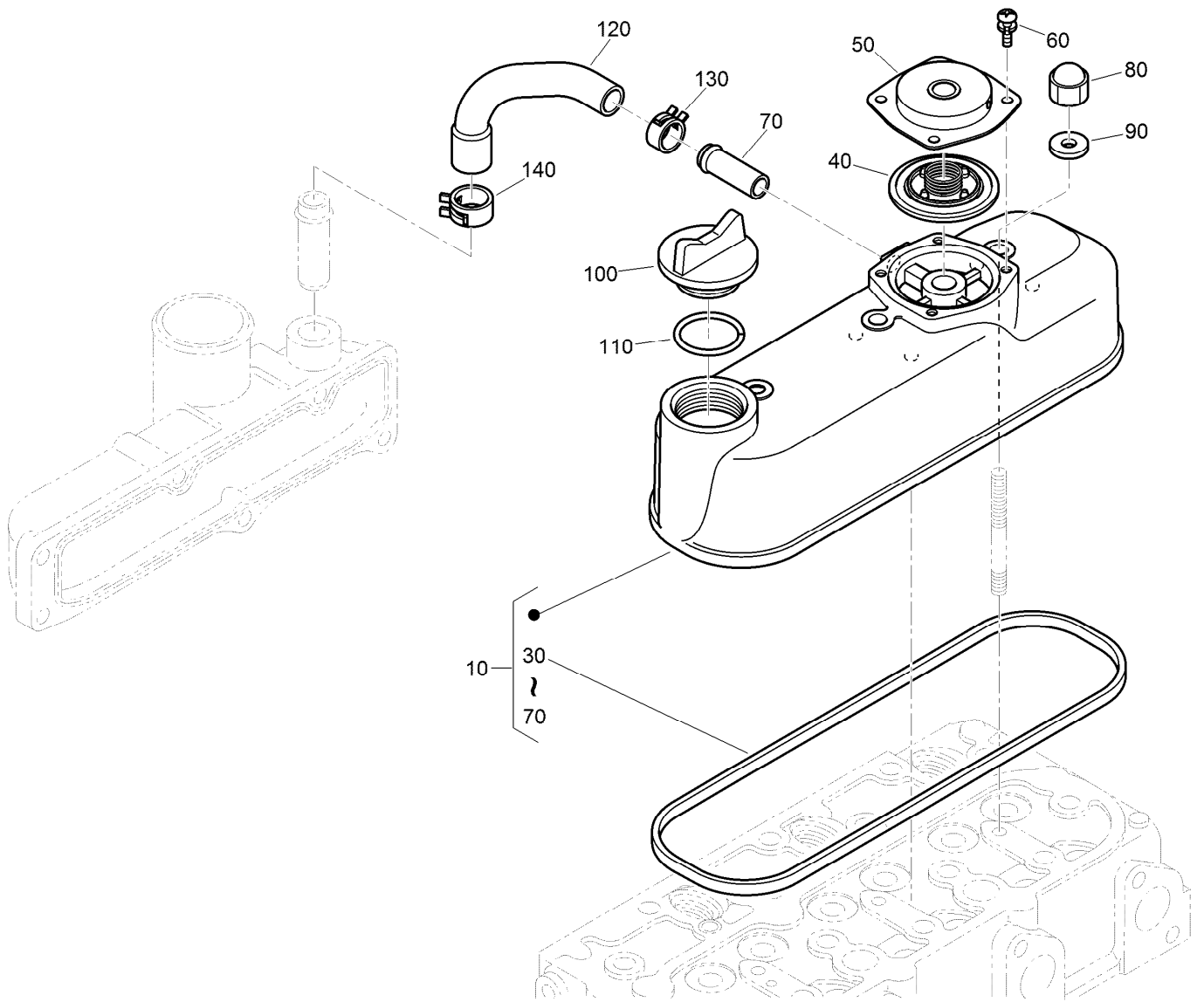
Cylinder Head Assembly

Ref.	Part Number	Qty.	Description
10	130-1231	1	Hook-Engine
20	98-9478	1	Hook-Engine
30	100-9195	2	Bolt
40	138-6997	1	Cylinder Head ASM
50	105-3705	1	Cap-Sealing
60	98-9687	2	Plug
70	107-9066	3	Guide-Valve, Inlet
80	107-9067	3	Guide-Valve, Exhaust
90	98-9389	2	Cap-Sealing
100	98-9479	12	Bolt-Head, Cylinder
105	98-9647	2	Bolt-Head, Cylinder
110	108-6573	1	Gasket-Head, Cylinder
120	98-9444	1	Plug



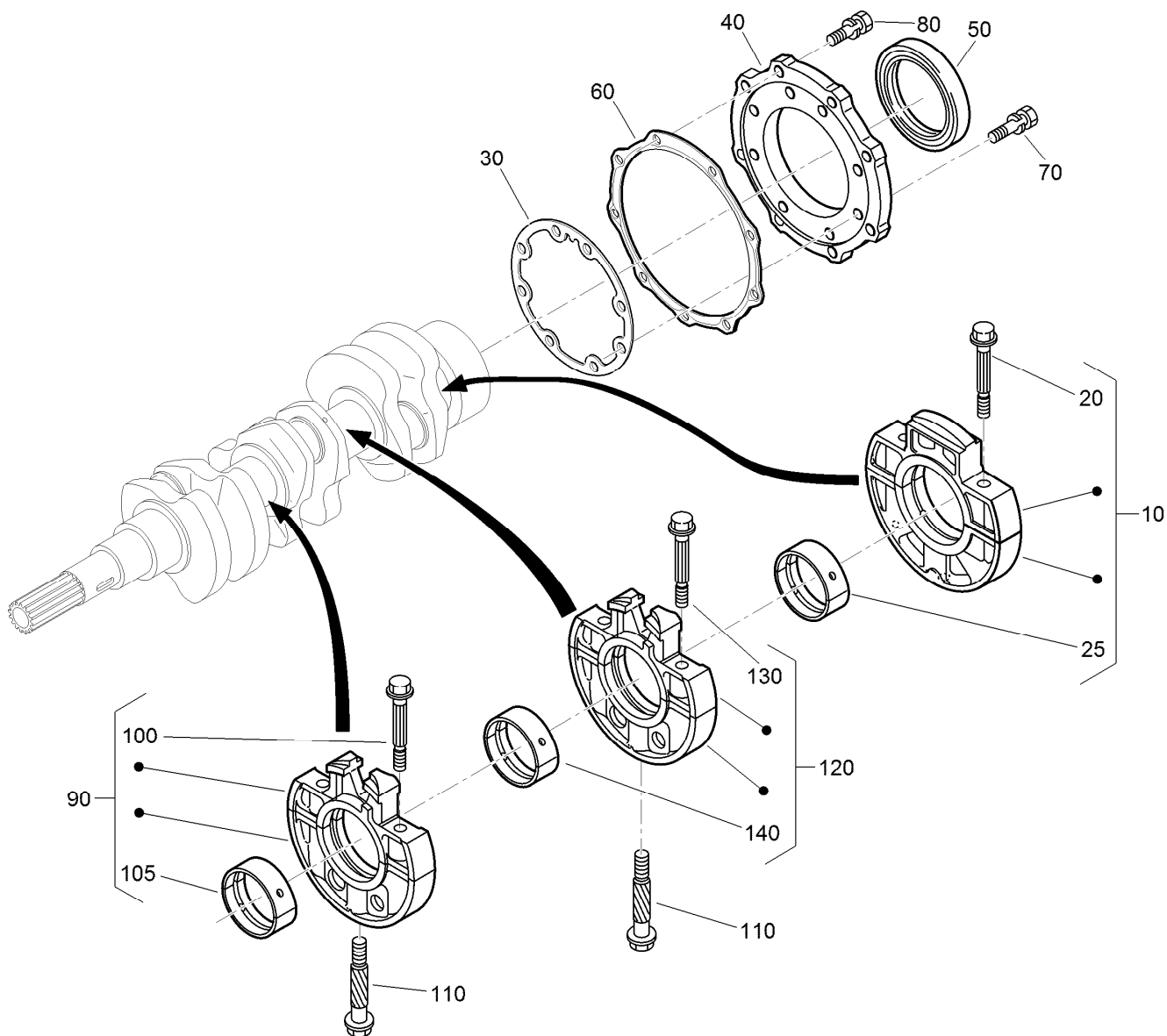
Gear Case and Oil Filter Cartridge Assembly

Ref.	Part Number	Qty.	Description	Ref.	Part Number	Qty.	Description
10	115-3442	1	Comp Gear Case	140	100-1765	3	Bolt
20	127-0425	5	Plug	150	125-9063	4	Bolt-Sems
30	98-7562	1	Washer-Plain	160	98-9356	2	Bolt
40	98-9388	1	Joint-Pipe	170	98-9437	1	Bolt
50	130-1511	1	Spring	180	98-9586	2	Bolt
60	130-1510	1	Valve-Relief	190	99-3511	1	Bolt
70	130-1508	1	Rotor ASM	200	105-3709	1	Stud
80	130-1509	1	Cover-Pump, Oil	210	100-2203	1	Nut-Flange
90	130-1164	5	Screw-Binding	220	119-8038	1	Seal-Oil
100	99-3515	1	Plug-Gearcase	230	105-3710	2	Stud
110	99-3450	1	Plug	240	107-9075	1	Plug-Filler, Oil
120	99-3451	1	Plug-Packing	250	99-3446	1	O-Ring
130	98-9633	1	Gasket-Case, Gear	260	127-0511	1	Filter-Oil



Cylinder Head Cover Assembly

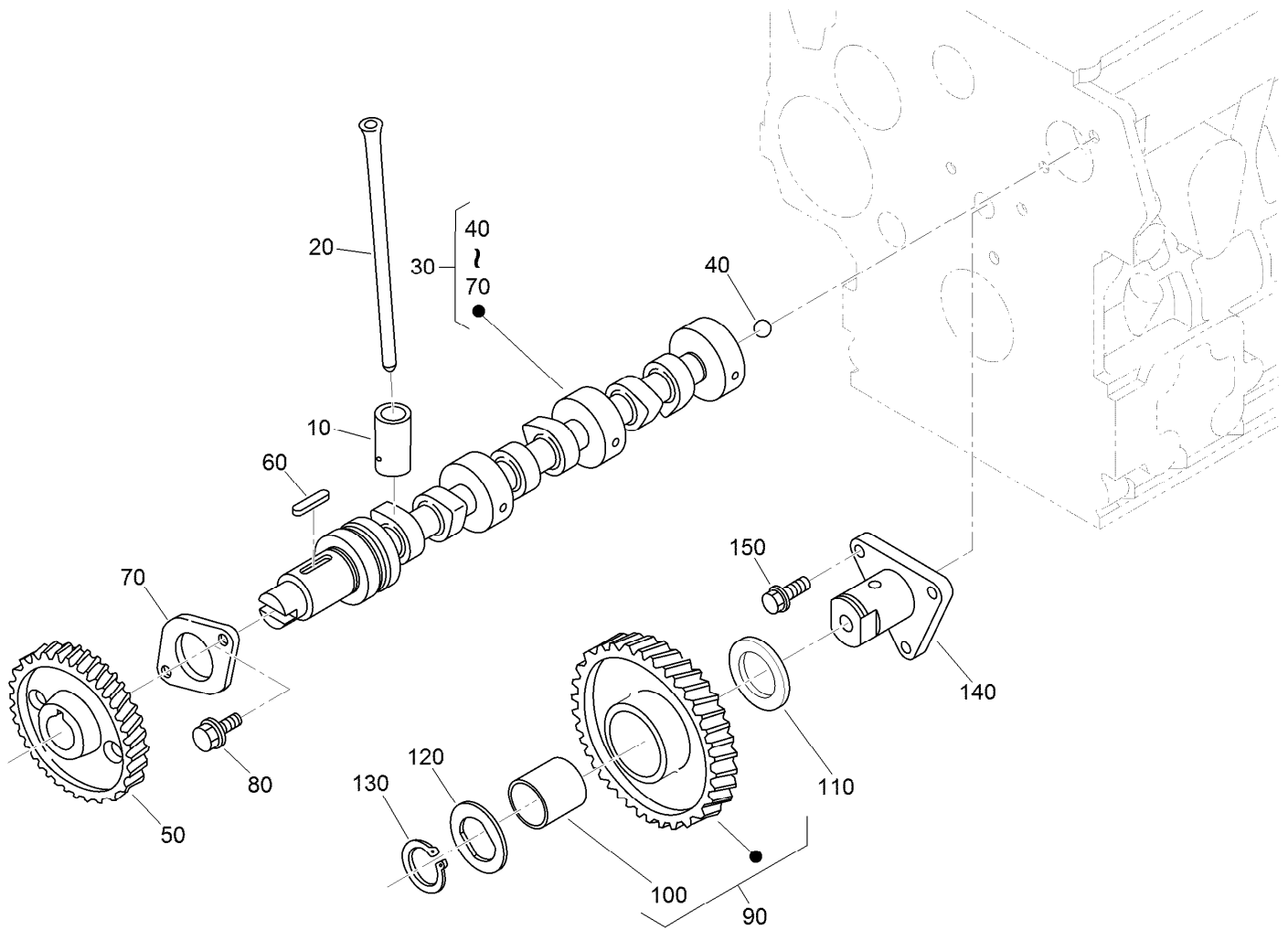
<i>Ref.</i>	<i>Part Number</i>	<i>Qty.</i>	<i>Description</i>
10	130-1372	1	Cylinder Head Cover ASM
30	98-9615	1	Gasket-Cover, Head
40	110-3715	1	Valve-Breather
50	110-3714	1	Cover-Breather
60	98-9364	4	Screw (With Washer)
70	98-7766	1	Pipe-Return, Water
80	98-9455	3	Nut-Cap
90	98-9454	3	Gasket
100	107-9075	1	Plug-Filler, Oil
110	99-3446	1	O-Ring
120	107-7836	1	Tube-Breather
130	108-2859	1	Clamp-Hose
140	108-2860	1	Clamp-Hose



Main Bearing Case Assembly

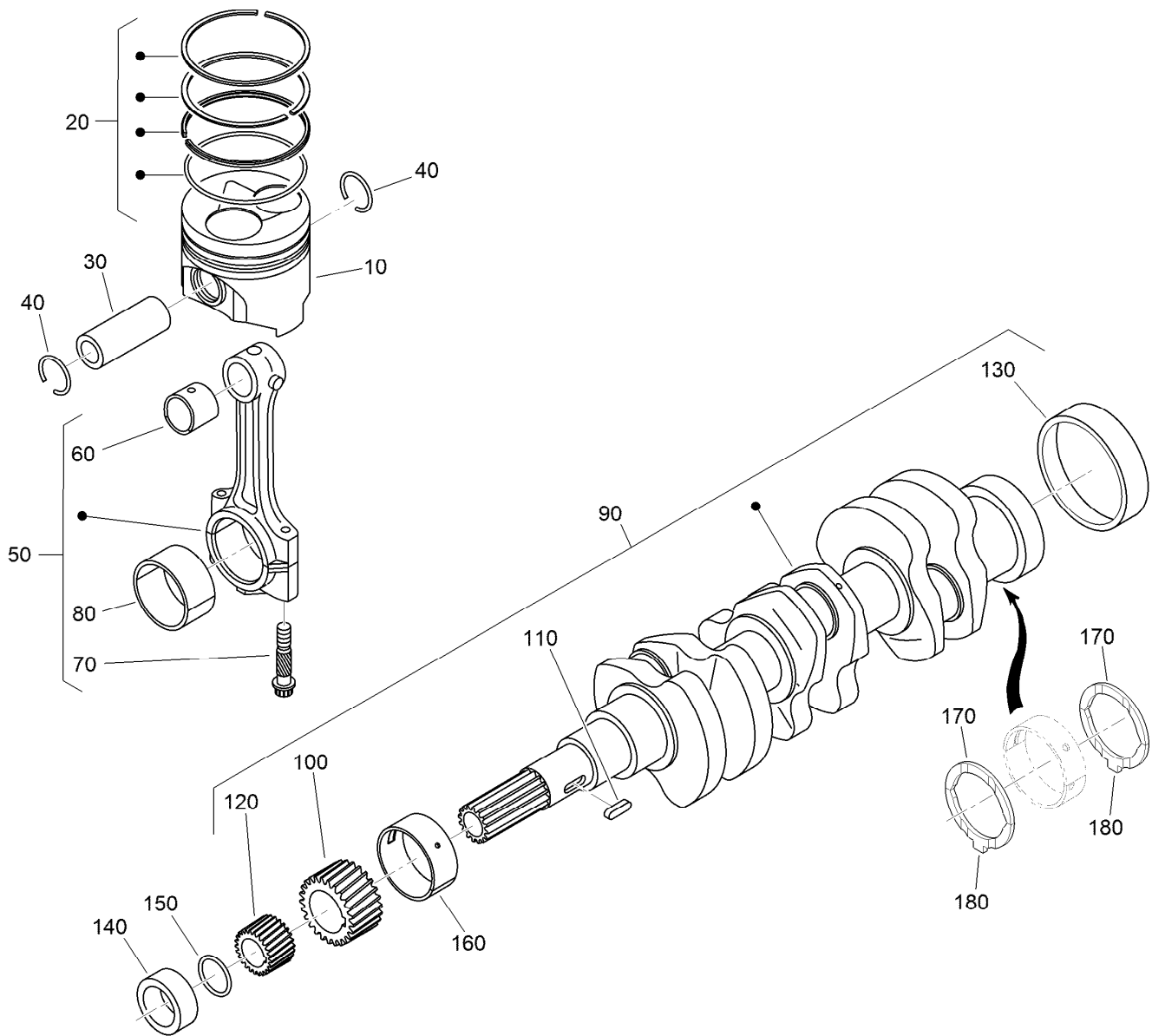
Ref.	Part Number	Qty.	Description
10	112-7026	1	Wheel Bearing Case ASM
20	98-9484	2	Bolt-Case, Bearing
25	115-4121	1	Metal-Crankshaft (STD)
25	112-7039	1	Metal-Crankshaft (0.2Mm)
25	112-7040	1	Metal-Crankshaft (-0.4Mm)
30	127-0440	1	Gasket-Case, Bearing
40	112-7046	1	Cover-Case, Bearing
50	112-0180	1	Seal-Oil
60	112-7037	1	Gasket-Cover, Case
70	127-0441	8	Bolt
80	127-0442	9	Bolt

Ref.	Part Number	Qty.	Description
90	115-4106	1	Main Bearing Case ASM
100	98-9484	2	Bolt-Case, Bearing
105	98-9524	1	Metal-Crankshaft (STD Set)
105	127-0433	1	Metal-Crankshaft (-0.2MM)
105	98-9531	1	Bearing-Main (0.4MM)
110	98-9485	2	Bolt-Case, Bearing
120	115-4107	1	Main Bearing Case ASM
130	98-9484	2	Bolt-Case, Bearing
140	98-9524	1	Metal-Crankshaft (STD Set)
140	127-0433	1	Metal-Crankshaft (-0.2MM)
140	98-9531	1	Bearing-Main (0.4MM)



Camshaft and Idle Gear Shaft Assembly

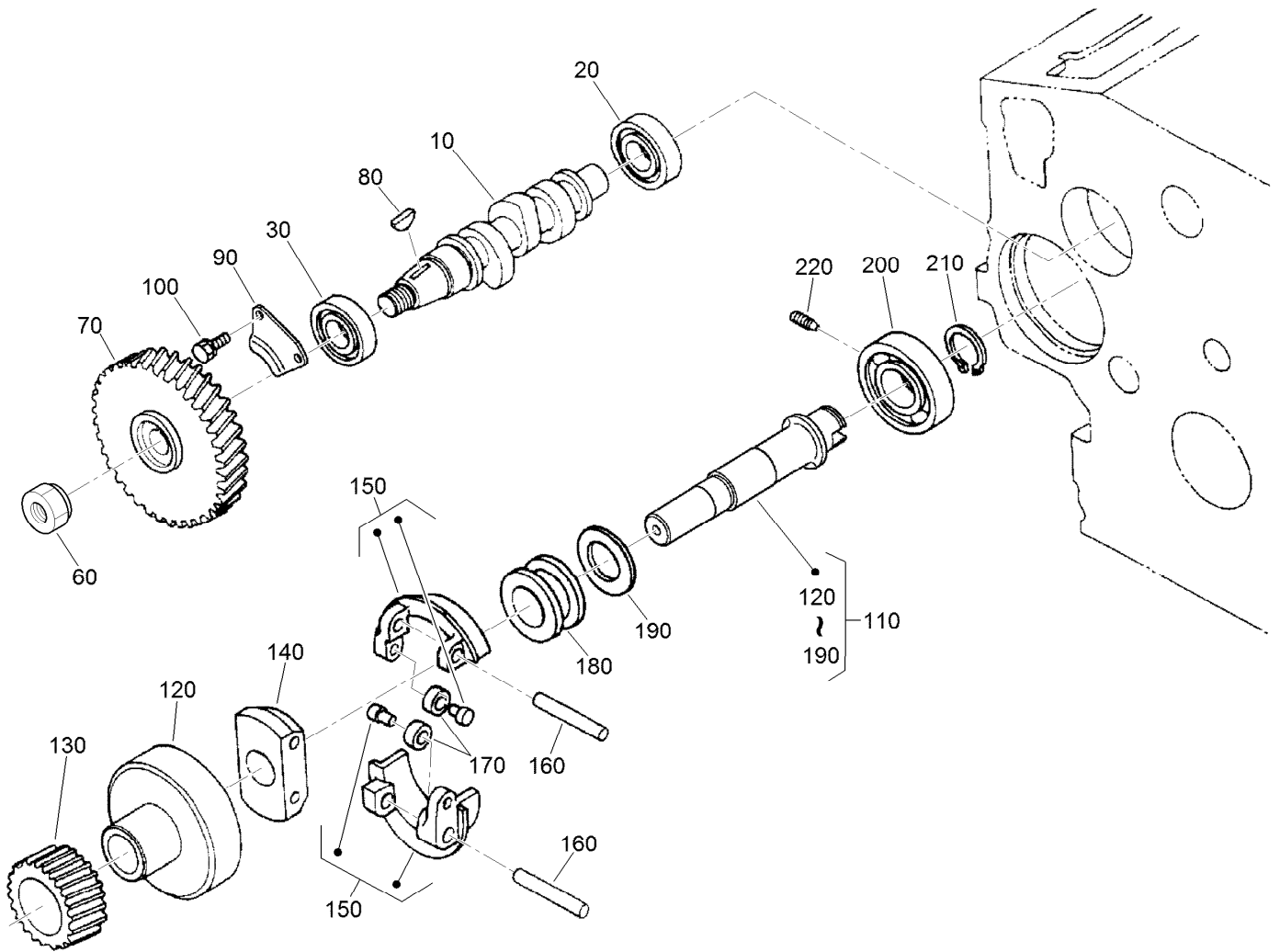
Ref.	Part Number	Qty.	Description
10	112-0185	6	Tappet
20	127-0421	6	Rod-Push
30	130-1505	1	Camshaft ASM
40	110-3729	1	Ball
50	120-3116	1	Camshaft ASM
60	98-9378	1	Key-Feather
70	98-9510	1	Stopper-Camshaft
80	98-7692	2	Bolt
90	117-7584	1	Idler Gear ASM
100	117-7585	1	Bushing-Gear, Idle
110	98-9535	1	Collar-Gear, Idle
120	98-9536	1	Collar-Gear, Idle
130	98-9534	1	Circlip-Gear, Idle
140	98-9533	1	Shaft-Gear, Idle
150	98-7692	3	Bolt



Piston and Crankshaft Assembly

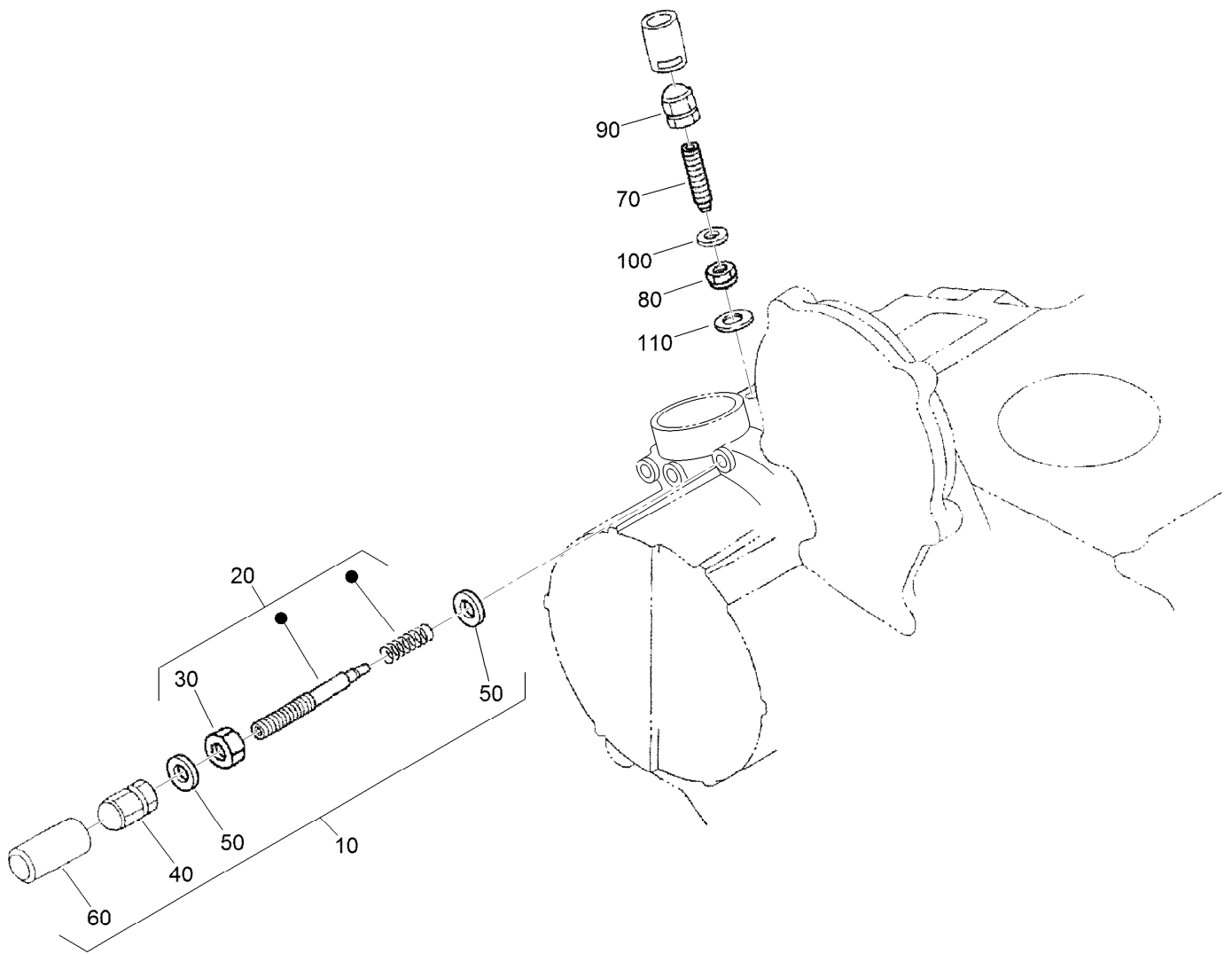
Ref.	Part Number	Qty.	Description
10	130-1546	3	Piston (STD)
10	130-1549	3	Piston (+0.50MM)
20	130-1506	3	Piston Ring ASM (STD)
20	130-1507	3	Piston Ring ASM (+0.50MM)
30	98-9513	3	Pin-Piston
40	98-9514	6	Circlip-Pin, Piston
50	117-7586	3	Connecting Rod ASM
60	115-3014	3	Bushing-Pin, Piston
70	98-9517	6	Bolt-Rod, Connecting
80	98-9553	3	Bearing-Rod (STD)
80	98-9519	3	Bearing-Rod (-0.2MM)
80	117-7588	3	Metal-Crankpin (-0.4MM)
90	130-1375	1	Crankshaft ASM
100	117-7561	1	Gear-Crankshaft

Ref.	Part Number	Qty.	Description
110	98-9666	1	Key
120	127-0445	1	Gear-Drive, Oil Pump
130	98-9522	1	Sleeve-Crankshaft
140	127-0444	1	Collar-Crankshaft
150	105-3783	1	O-Ring
160	112-7005	1	Bearing-Main (STD)
160	98-9528	1	Bearing-Main (-0.2MM)
160	130-1274	1	Metal-Crankshaft (-0.40Mm)
170	98-9413	2	Bearing-Thrust (STD)
170	127-0416	2	Metal-Side (+0.2Mm)
170	127-0417	2	Metal-Side (+0.40Mm)
180	98-9688	2	Bearing-Thrust (STD)
180	127-0437	2	Metal-Side (+0.2MM)
180	127-0438	2	Metal-Side (+0.40MM)



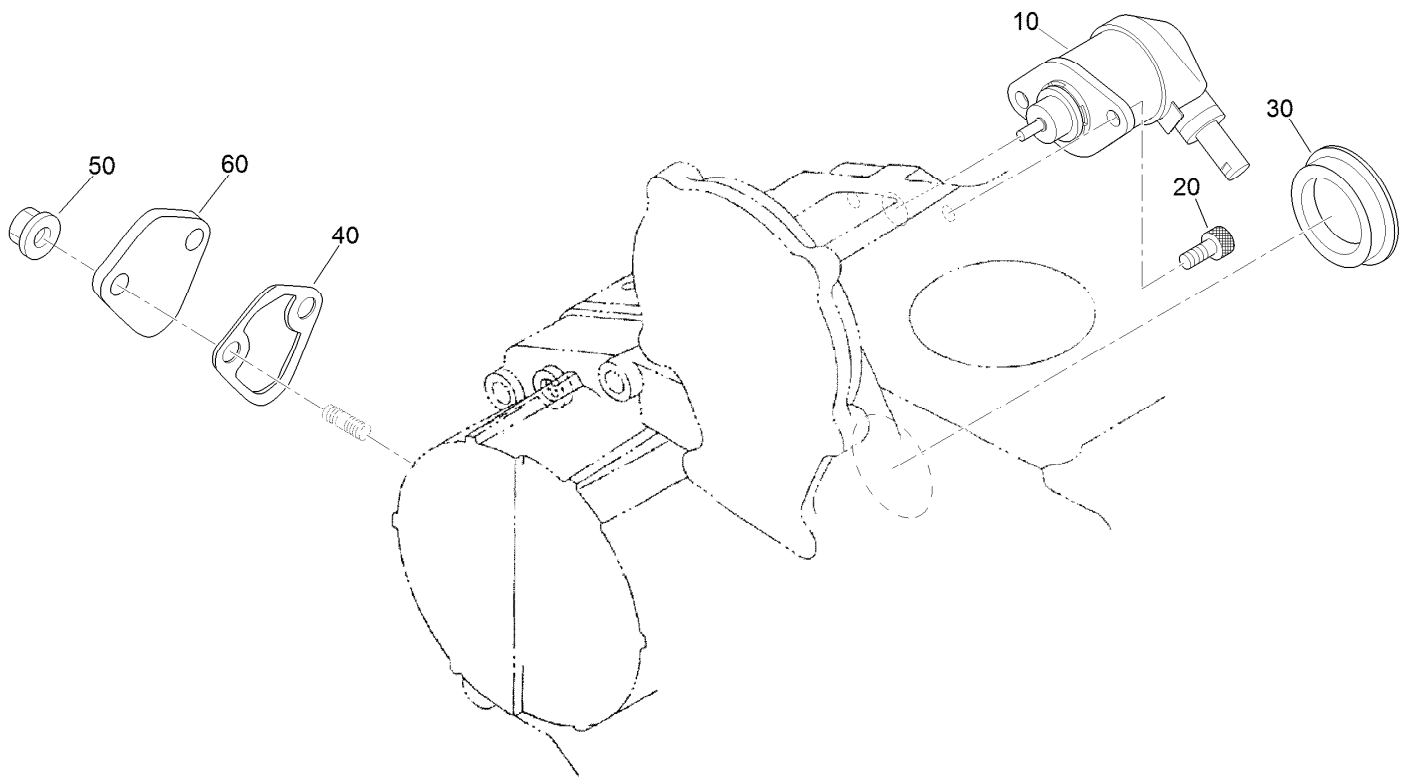
Fuel Camshaft and Governor Shaft Assembly

<i>Ref.</i>	<i>Part Number</i>	<i>Qty.</i>	<i>Description</i>	<i>Ref.</i>	<i>Part Number</i>	<i>Qty.</i>	<i>Description</i>
10	98-9459	1	Camshaft-Fuel	130	98-9673	1	Gear-Governor
20	107-9077	1	Bearing-Ball	140	98-9561	1	Holder-Weight, Governor
30	107-9078	1	Bearing-Ball	150	98-9559	2	Governor Weight ASM
60	130-1512	1	Nut	160	98-9560	2	Shaft-Weight, Governor
70	130-1378	1	Gear-Injection Pump	170	98-9692	2	Roller
80	98-9595	1	Key-Woodruff	180	98-9563	1	Sleeve-Governor
90	98-9511	1	Stopper-Fuel, Camshaft	190	98-9564	1	Washer-Thrust
100	98-7692	2	Bolt	200	107-9079	1	Bearing-Ball
110	130-1255	1	Governor Shaft ASM	210	98-9657	1	Circlip-Shaft, Governor
120	98-9562	1	Holder-Gear, Governor	220	98-9565	1	Screw-Set



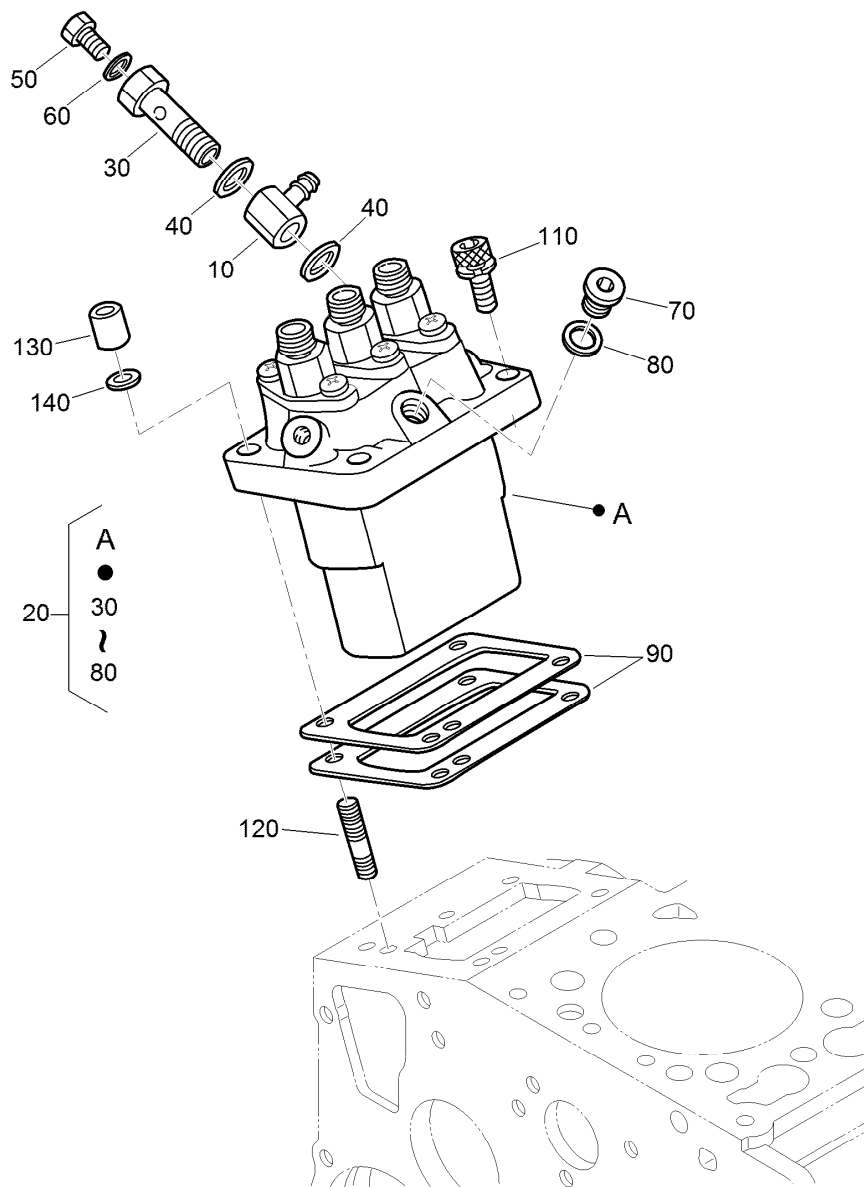
Idle Apparatus Assembly

<i>Ref.</i>	<i>Part Number</i>	<i>Qty.</i>	<i>Description</i>
10	107-7838	1	Apparatus-Idling
20	130-1253	1	Adjusting Bolt ASM
30	98-9439	1	Nut
40	112-0181	1	Nut
50	98-7654	2	Gasket
60	98-7656	1	Cap
70	112-7015	1	Bolt-Adjusting
80	100-2175	1	Nut-Lock
90	112-0181	1	Nut
100	98-7654	1	Gasket
110	107-9081	1	Gasket



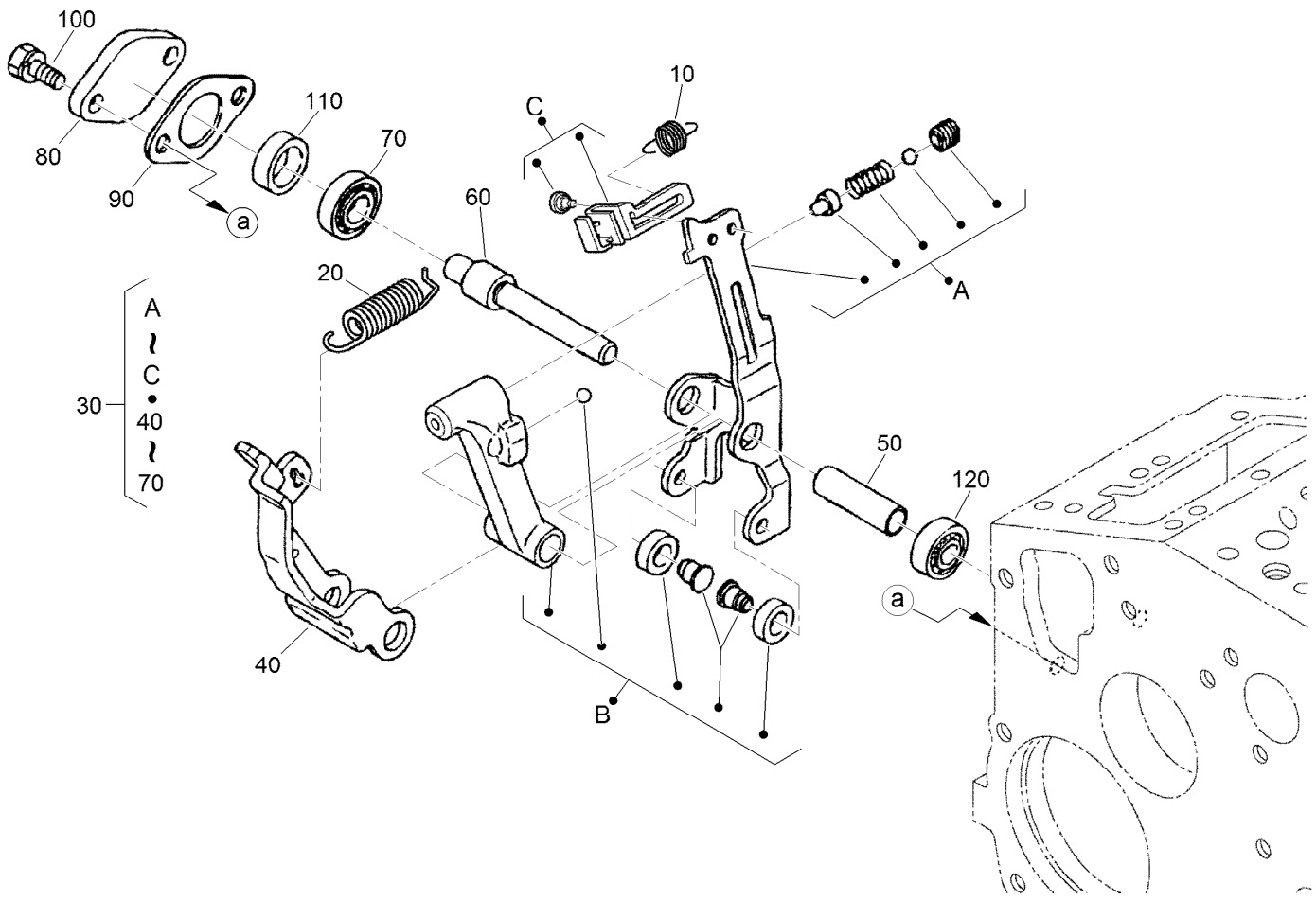
Stop Solenoid and Fuel Pump Cover Assembly

<i>Ref.</i>	<i>Part Number</i>	<i>Qty.</i>	<i>Description</i>
10	104-5155	1	Solenoid-Stop
20	130-1155	2	Screw-HSH
30	99-3514	1	Cover
40	117-7562	1	Gasket-Pump, Fuel
50	100-2203	2	Nut-Flange
60	112-7016	1	Cover-Pump



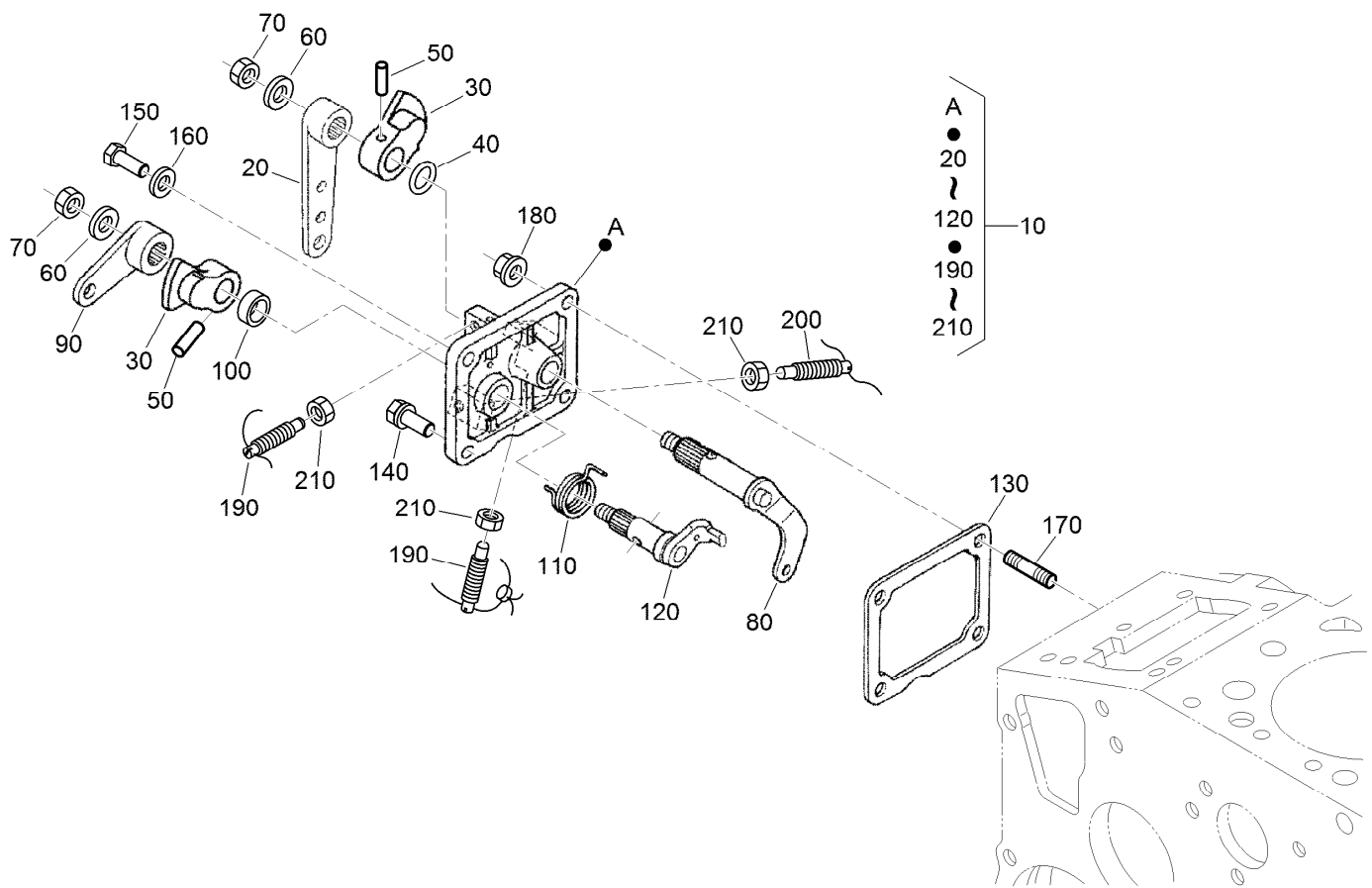
Injection Pump Assembly

<i>Ref.</i>	<i>Part Number</i>	<i>Qty.</i>	<i>Description</i>	<i>Ref.</i>	<i>Part Number</i>	<i>Qty.</i>	<i>Description</i>
10	98-9596	1	Joint-Eye	90	98-9457	1	Shim-Injection (0.25MM)
20	98-9643	1	Injection Pump ASM	90	98-9458	1	Shim-Injection (0.30MM)
30	98-9464	1	Bolt-Joint	90	115-3046	1	Shim-Injection (0.35MM)
40	98-9445	2	Gasket	90	115-3045	1	Shim-Injection (0.175MM)
50	98-9430	1	Screw	110	117-7564	2	Bolt-Hex Soc HD
60	98-9446	1	Gasket	120	98-9438	2	Stud
70	98-9466	1	Plug	130	98-9440	2	Nut-Cap
80	98-9451	1	Gasket	140	98-7699	2	Washer-Spring
90	98-9456	1	Shim-Injection (0.20MM)				



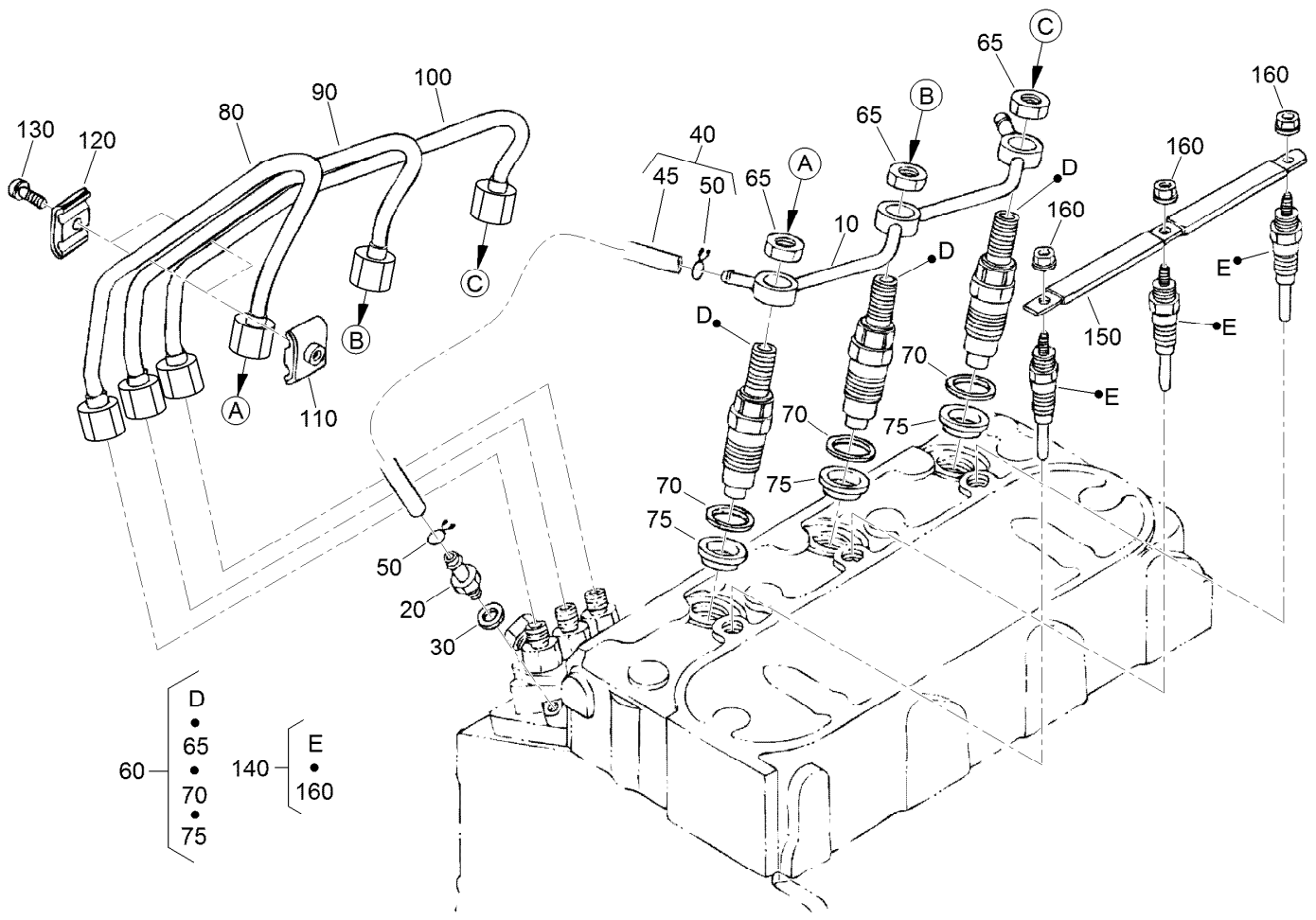
Governor Assembly

<i>Ref.</i>	<i>Part Number</i>	<i>Qty.</i>	<i>Description</i>
10	105-3786	1	Spring-Start
20	107-7839	1	Spring-Governor
30	107-7840	1	Fork Lever ASM
40	107-9084	1	Lever-Fork
50	107-9085	1	Shaft-Lever, Fork
60	107-9086	1	Shaft-Lever, Fork
70	98-9570	1	Bearing-Miniaturize
80	115-4122	1	Cover-Shaft, Fork Lever
90	98-9682	1	Gasket
100	98-9350	2	Bolt
110	98-9567	1	Collar
120	98-9571	1	Bearing-Miniaturize



Speed Control Plate Assembly

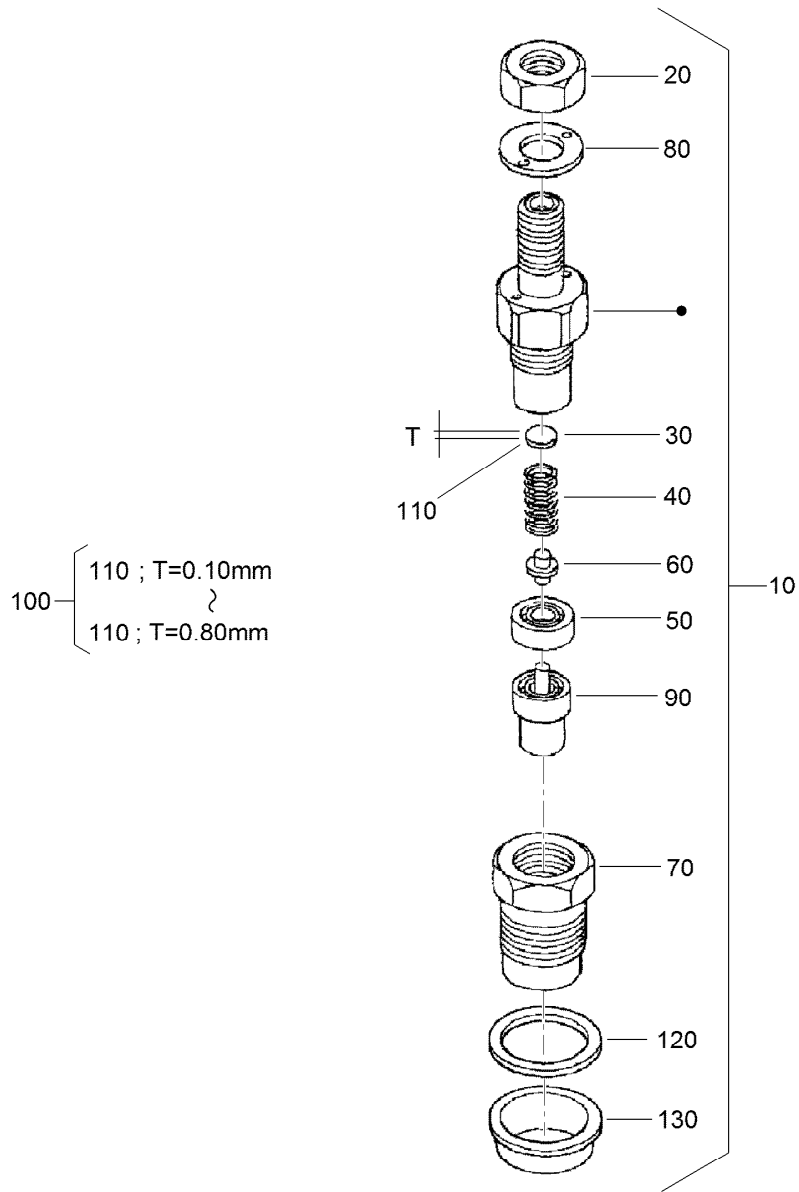
Ref.	Part Number	Qty.	Description	Ref.	Part Number	Qty.	Description
10	105-3735	1	Control Plate ASM	120	98-9664	1	Shaft-Lever, Stop
20	98-9662	1	Lever-Control, Speed	130	98-9637	1	Gasket
30	98-9572	2	Lever-Control, Speed	140	98-7692	1	Bolt
40	105-3788	1	O-Ring	150	127-0401	1	Bolt-Hex
50	98-7602	2	Pin-Spring	160	98-7654	1	Gasket
60	98-9594	2	Washer-Plain	170	105-3710	2	Stud
70	98-9589	2	Nut	180	100-2203	2	Nut-Flange
80	98-9658	1	Governor Lever ASM	190	117-7565	2	Bolt-Adjusting
90	98-9663	1	Lever-Stop, Engine	200	117-7566	1	Bolt-Adjusting
100	98-7601	1	Seal-Oil	210	98-7572	3	Nut
110	98-9472	1	Spring-Return				



Nozzle Holder and Glow Plug Assembly

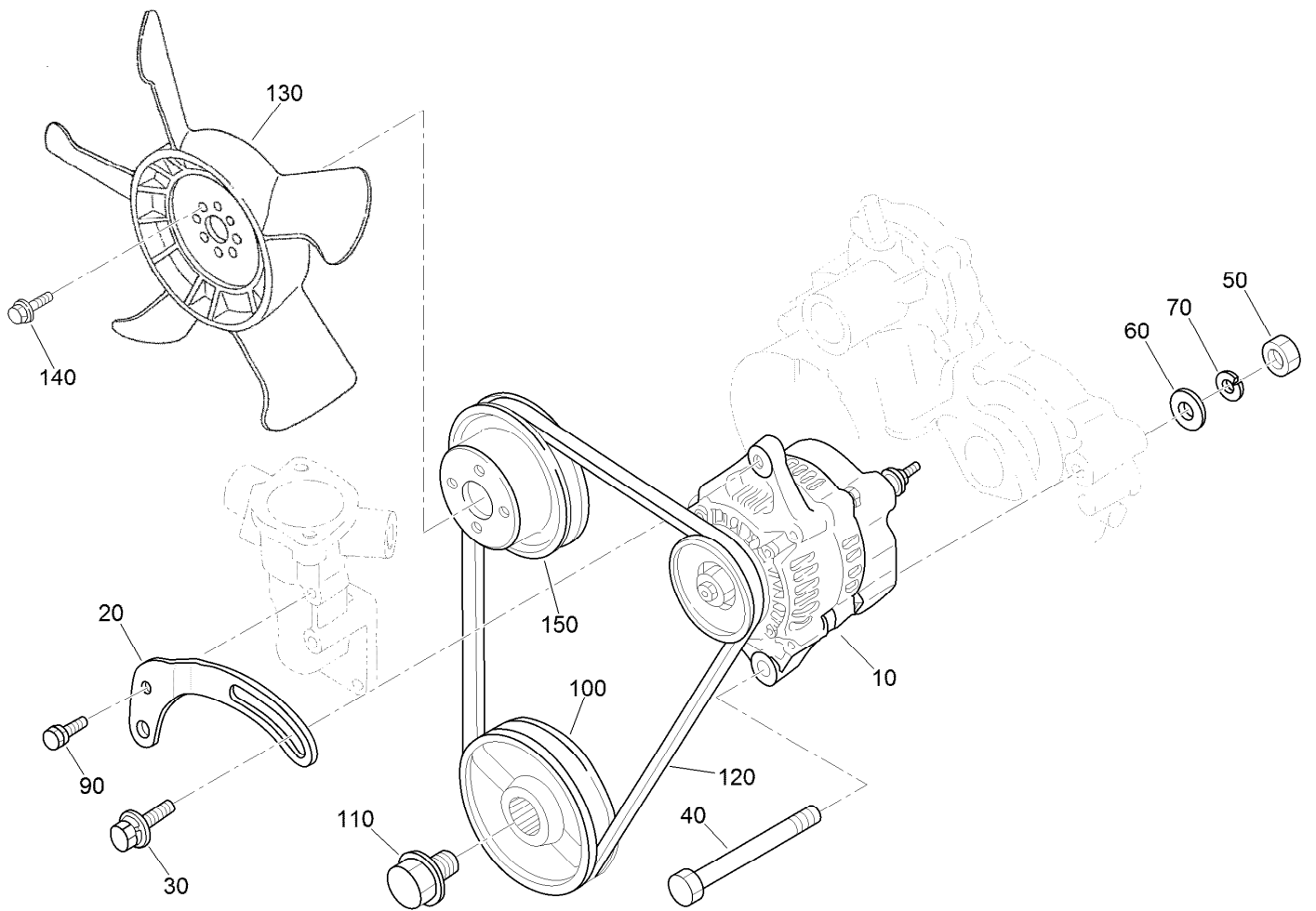
<i>Ref.</i>	<i>Part Number</i>	<i>Qty.</i>	<i>Description</i>
10	98-9620	1	Overflow Pipe ASM
20	98-9431	1	Screw-Bleeder, Air
30	98-7654	1	Gasket
40	98-9420	1	Overflow Pipe ASM
45	112-0182	1	Pipe-Overflow
50	98-7671	2	Clip-Pipe
60	115-3018	3	Nozzle Holder Kit
65	121-2411	3	Nut
70	98-7676	3	Gasket
75	98-7677	3	Seal-Heat

<i>Ref.</i>	<i>Part Number</i>	<i>Qty.</i>	<i>Description</i>
80	98-9622	1	Pipe-Injection
90	98-9654	1	Pipe-Injection
100	98-9655	1	Pipe-Injection
110	98-7682	2	Clamp-Pipe
120	98-7683	2	Clamp-Pipe
130	98-7684	2	Screw (W/Washer)
140	130-1411	3	Plug-Glow
150	98-9631	1	Cord-Plug, Glow
160	99-8377	3	Nut-Flange



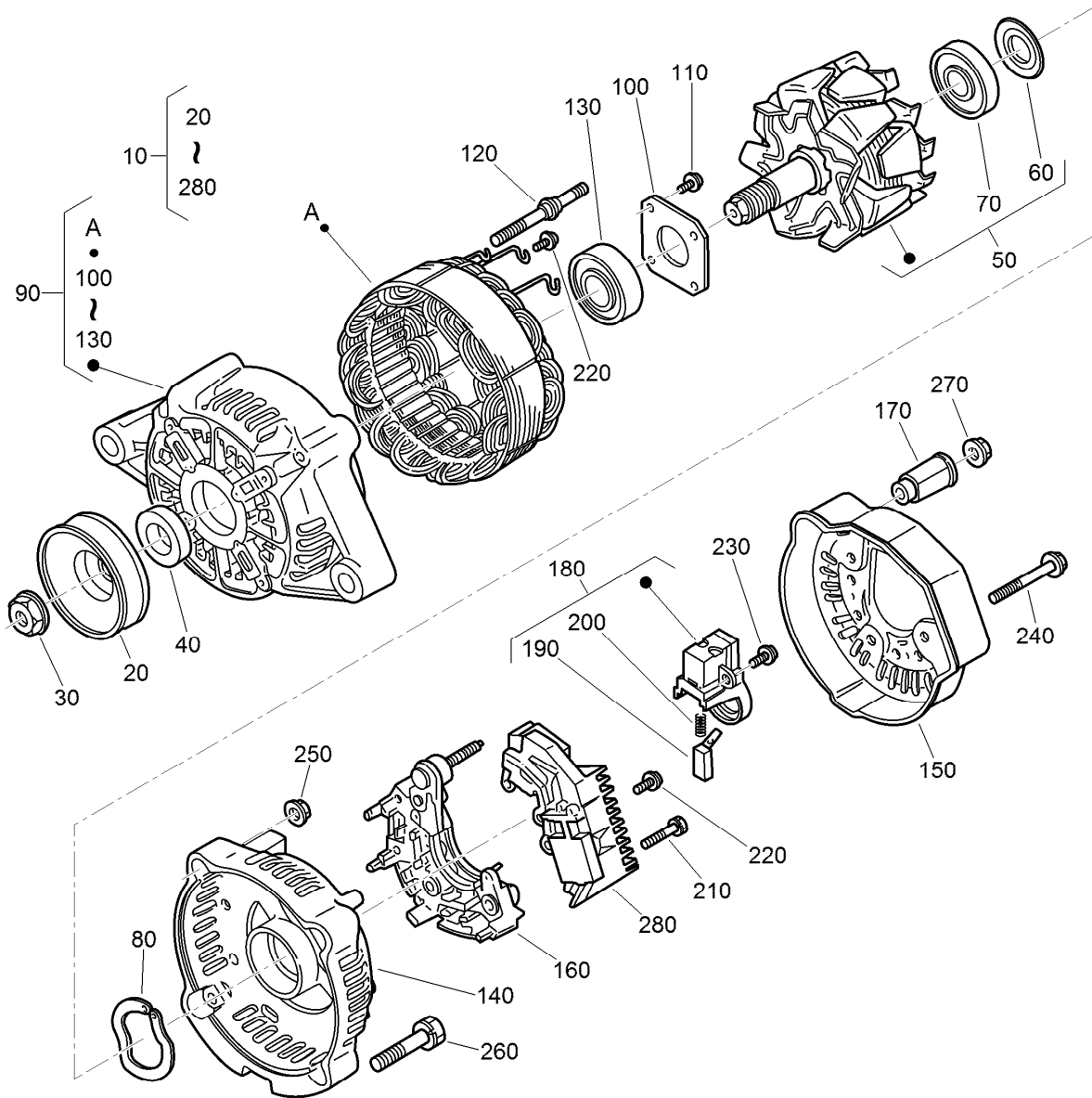
Nozzle Holder Assembly

Ref.	Part Number	Qty.	Description	Ref.	Part Number	Qty.	Description
10	115-3018	3	Nozzle Holder Kit	110	99-8311	3	Washer-Adjust (0.20MM)
20	121-2411	3	Nut	110	99-8312	3	Washer-Adjust (0.30MM)
30	99-8302	3	Washer-Adjusting	110	99-8313	3	Washer-Adjust (0.40MM)
40	99-8303	3	Spring-Nozzle	110	99-8314	3	Washer-Adjust (0.50MM)
50	99-8304	3	Spacer-Distance	110	99-8315	3	Washer-Adjust (0.52MM)
60	99-8305	3	Rod-Push	110	99-8316	3	Washer-Adjust (0.54MM)
70	99-8306	3	Nut-Nozzle	110	99-8317	3	Washer-Adjust (0.56MM)
80	99-8307	3	Washer-Plain	110	99-8318	3	Washer-Adjust (0.58MM)
90	115-3020	3	Piece-Nozzle	110	99-8319	3	Washer-Adjust (0.80MM)
100	99-8309	3	Adjusting Washer ASM	120	98-7676	3	Gasket
110	99-8310	3	Washer-Adjust (0.10MM)	130	98-7677	3	Seal-Heat



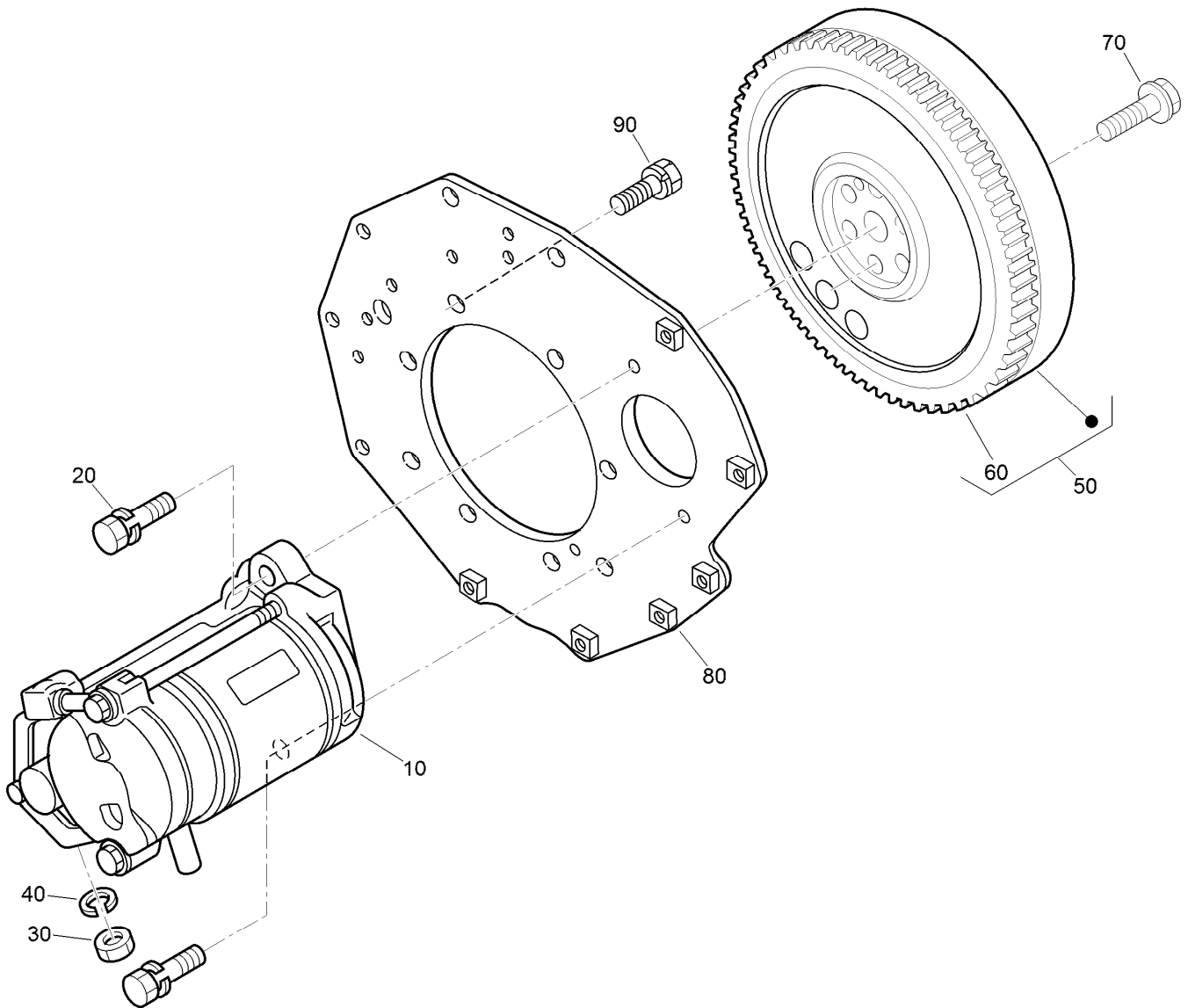
Alternator, Pulley and Fan Assembly

Ref.	Part Number	Qty.	Description
10	98-9474	1	Alternator ASM
20	112-7047	1	Stay-Dynamo
30	108-7088	1	Bolt
40	98-9360	1	Bolt
50	98-7737	1	Nut
60	98-9366	1	Washer-Plain
70	98-7738	1	Washer-Spring
90	98-7692	1	Bolt
100	99-3456	1	Pulley-Drive, Fan
110	98-9585	1	Bolt
120	130-1241	1	V Belt
130	99-3461	1	Fan
140	99-8363	4	Bolt-Flange
150	99-3453	1	Pulley-Fan



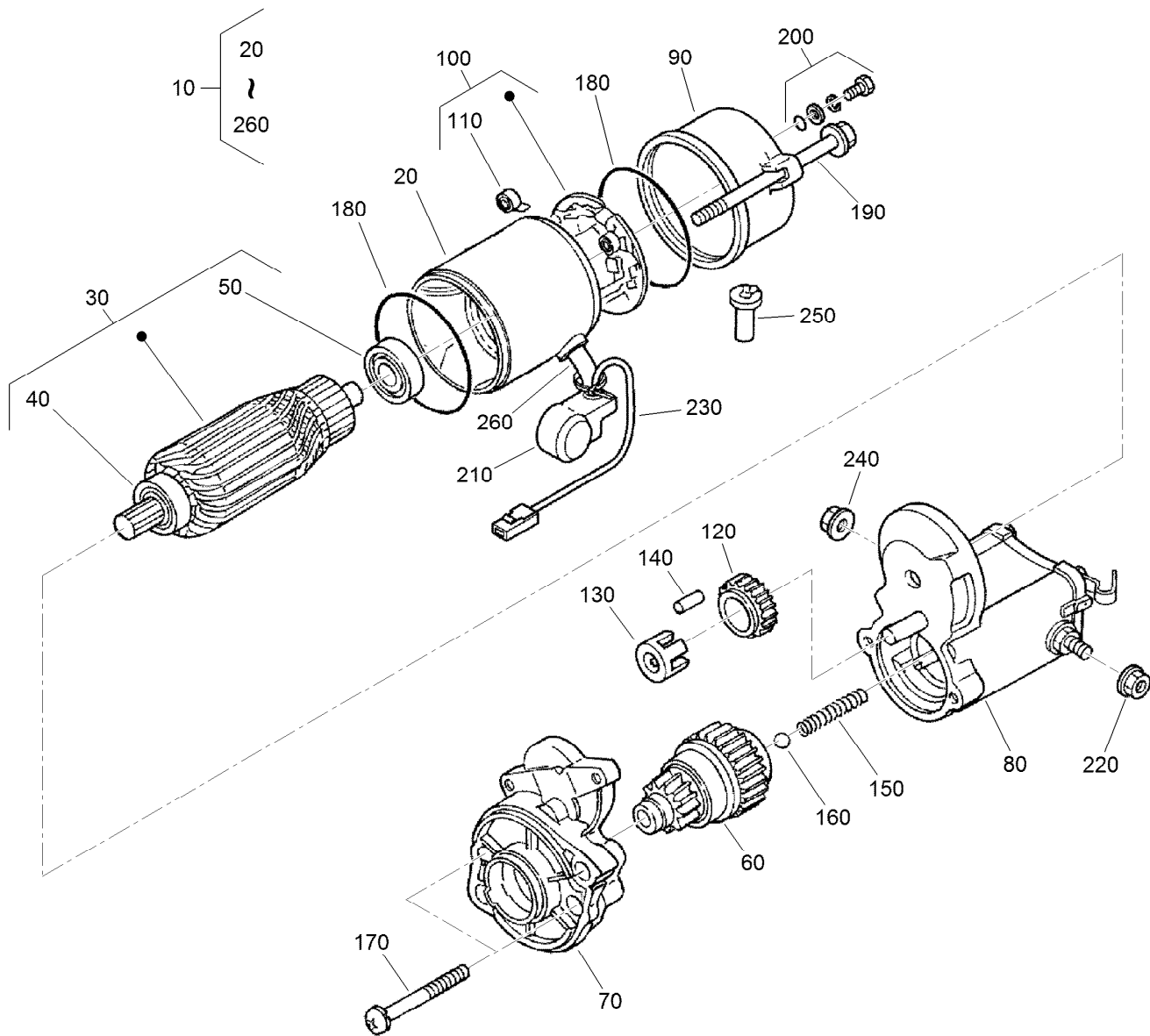
Alternator Components Assembly

Ref.	Part Number	Qty.	Description	Ref.	Part Number	Qty.	Description
10	98-9474	1	Alternator ASM	150	107-0140	1	Cover-End
20	98-9453	1	Pulley-Dynamo	160	127-1612	1	Rectifier ASM
30	98-7708	1	Nut	170	98-7722	1	Bushing-Insulation
40	98-7709	1	Collar	180	107-0141	1	Brush Holder ASM
50	107-0136	1	Rotor ASM	190	98-7724	2	Brush
60	98-7711	1	Cover-Bearing	200	98-7725	2	Spring-Brush
70	107-0138	1	Bearing-Ball	210	98-7726	2	Screw-Head, Round
80	98-7713	1	Washer-Thrust	220	98-7727	6	Screw-Head, Round
90	107-0139	1	Drive End Frame ASM	230	98-7728	1	Screw-Head, Round
100	98-7715	1	Plate-Retainer	240	98-7729	3	Bolt
110	98-7716	4	Screw-Head, Round	250	98-7730	2	Nut
120	98-7717	2	Bolt-Through	260	98-7731	2	Bolt
130	133-2811	1	Bearing	270	98-7732	1	Nut
140	107-9087	1	Frame-End	280	110-3799	1	Regulator ASM



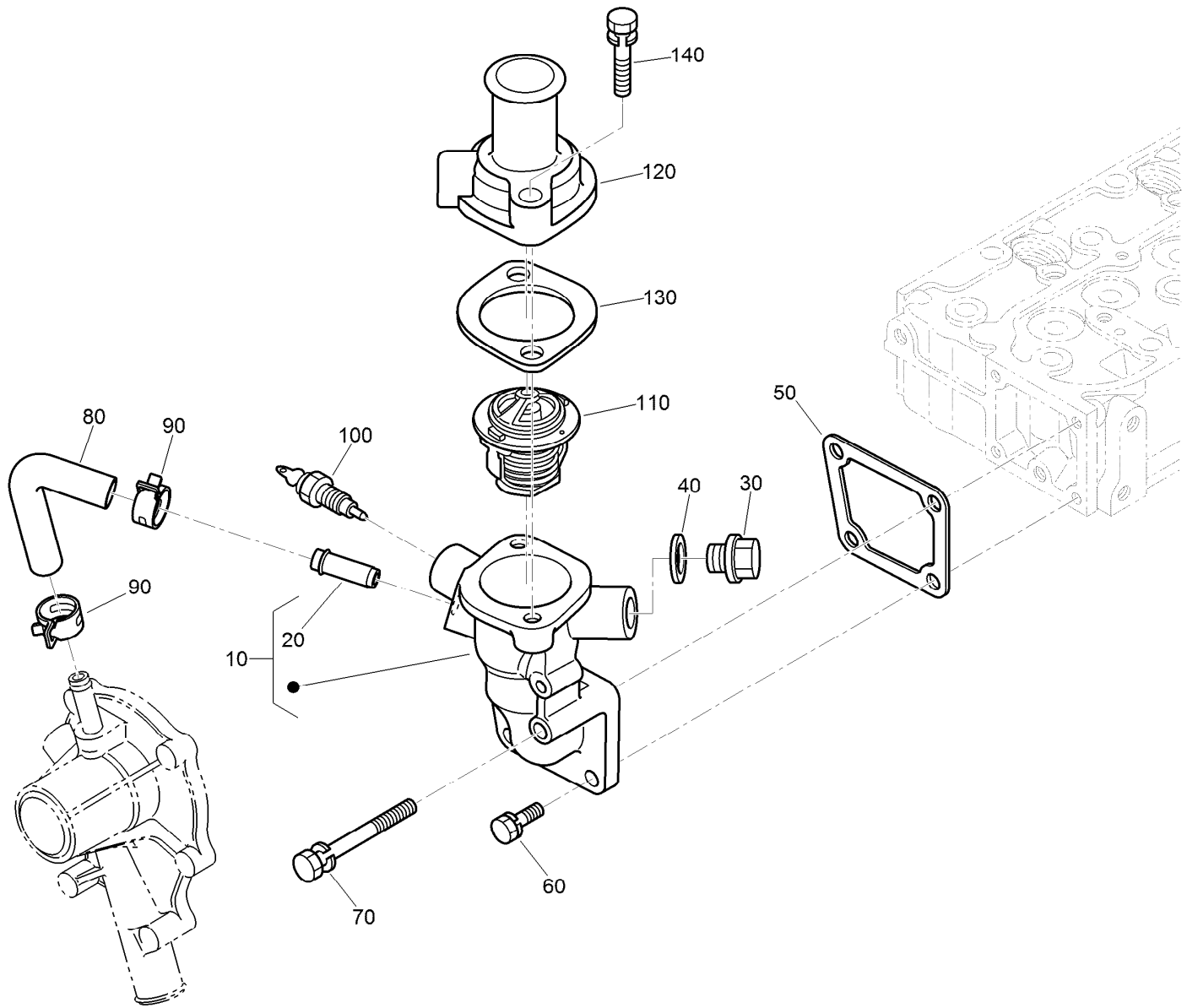
Starter and Flywheel Assembly

Ref.	Part Number	Qty.	Description
10	98-9705	1	Starter ASM
20	98-7697	2	Bolt
30	98-7739	1	Nut
40	105-2893	1	Washer-Spring
50	105-3784	1	Flywheel ASM
60	115-3015	1	Gear-Ring
70	98-9537	6	Bolt-Flywheel
80	98-9486	1	Plate-End, Rear
90	98-9392	8	Bolt



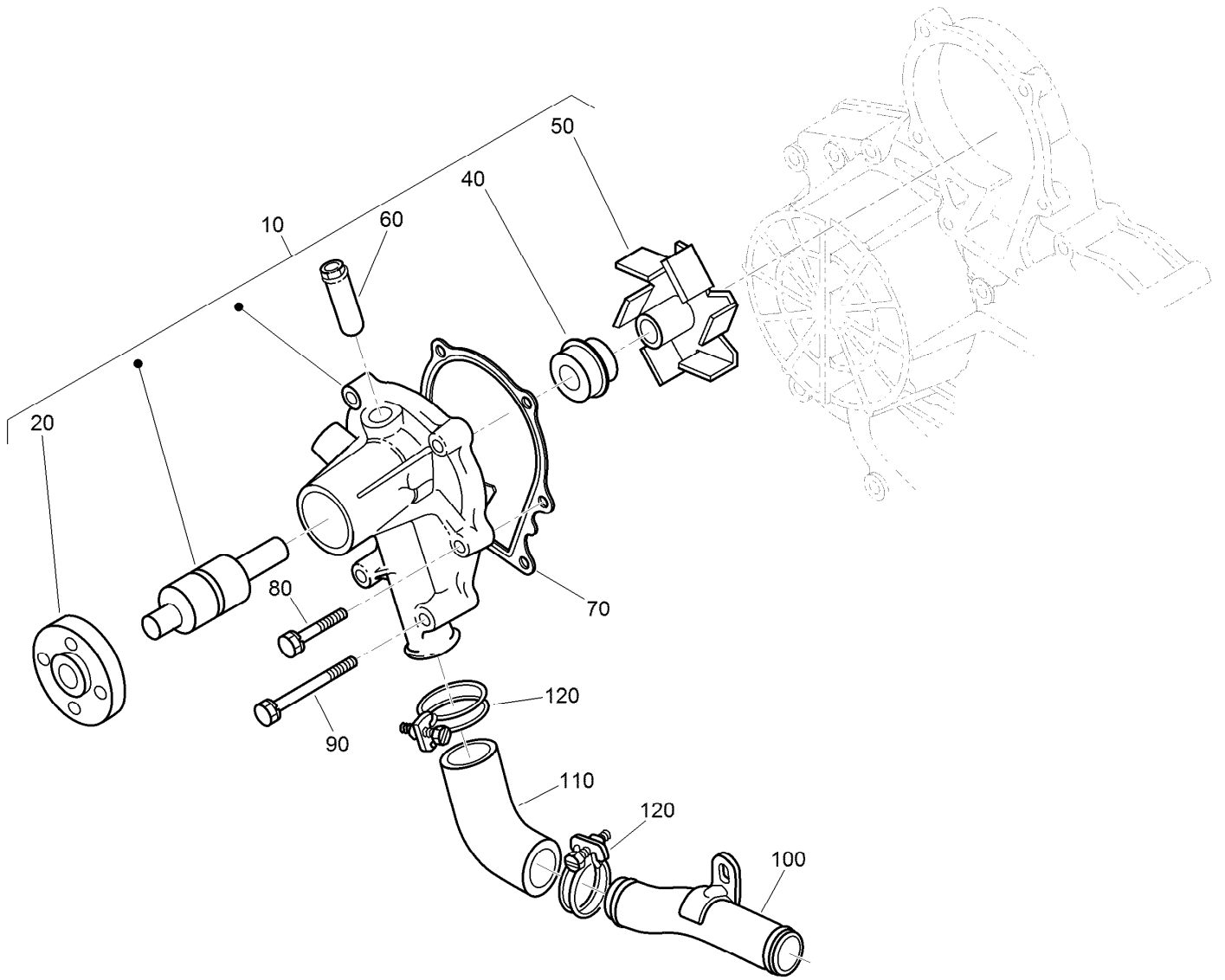
Starter Component Assembly

<i>Ref.</i>	<i>Part Number</i>	<i>Qty.</i>	<i>Description</i>	<i>Ref.</i>	<i>Part Number</i>	<i>Qty.</i>	<i>Description</i>
10	98-9705	1	Starter ASM	140	98-7753	5	Roller
20	104-8608	1	Yoke ASM	150	98-7754	1	Spring
30	98-7742	1	Armature ASM	160	98-7755	1	Ball
40	98-7744	1	Bearing	170	98-7756	2	Bolt
50	98-7743	1	Bearing	180	98-7757	2	O-Ring
60	99-8373	1	Clutch-Running, Over	190	100-9240	2	Bolt
70	99-8374	1	Frame-End, Drive	200	98-7758	2	Bolt ASM
80	105-3746	1	Magnetic Switch ASM	210	99-8375	1	Cover
90	98-7748	1	Frame-End	220	99-8371	1	Nut-Hex
100	98-7749	1	Brush Holder ASM	230	98-9711	1	Cord-Solenoid, Stop
110	98-7750	4	Spring-Brush	240	99-8376	1	Nut-Hex
120	98-7751	1	Gear	250	98-7759	1	Pipe-Drain
130	98-7752	1	Retainer	260	98-9712	1	Band-Cover



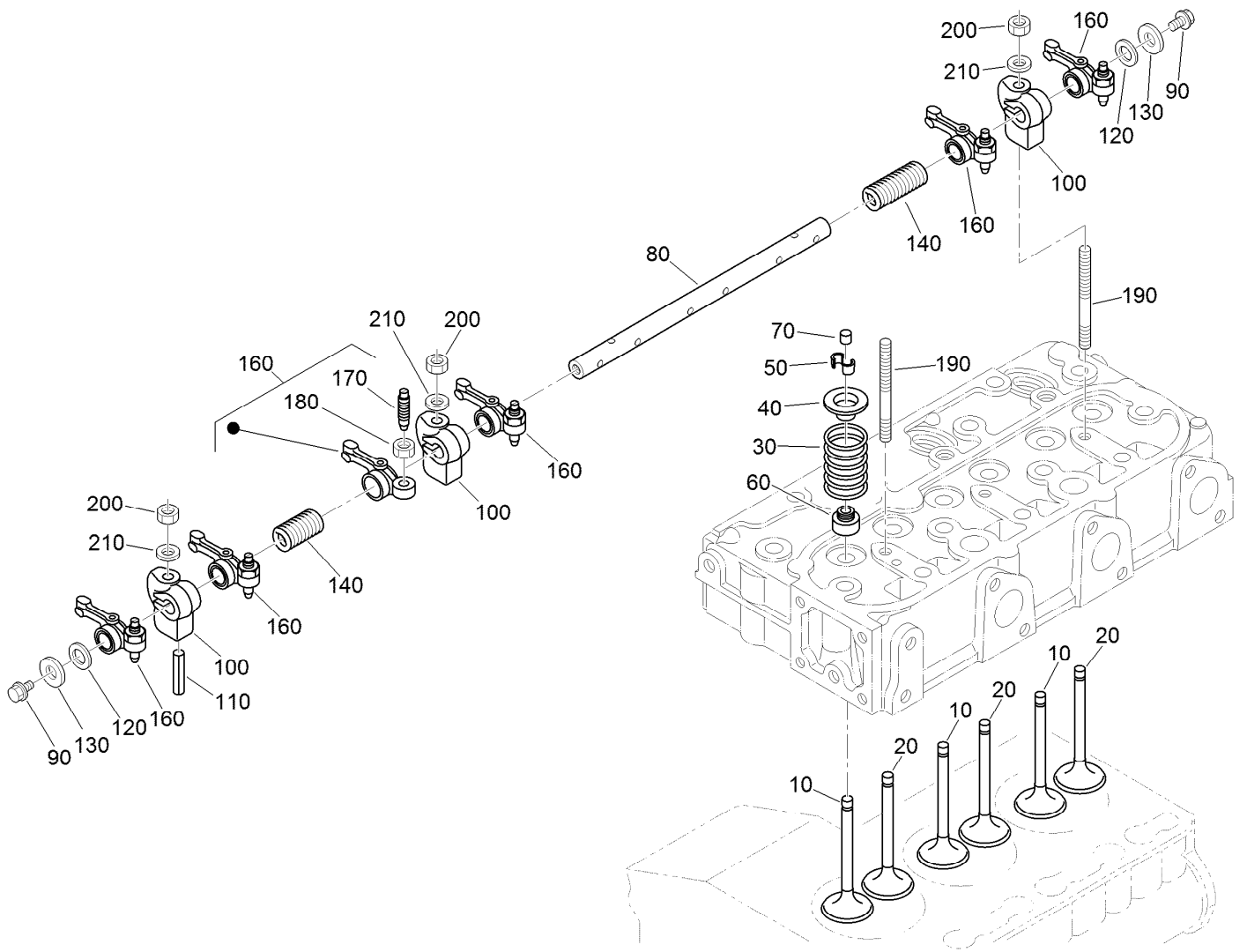
Water Flange and Thermostat Assembly

<i>Ref.</i>	<i>Part Number</i>	<i>Qty.</i>	<i>Description</i>
10	98-9713	1	Water Flange ASM
20	98-9580	1	Pipe-Return, Water
30	105-3747	1	Plug
40	99-3583	1	Gasket
50	98-9638	1	Gasket-Flange, Water
60	98-7692	3	Bolt
70	98-9356	1	Bolt
80	98-9578	1	Pipe-Return, Water
90	125-9078	2	Clamp-Hose
100	98-9719	1	Thermoswitch
110	98-7778	1	Thermostat ASM
120	98-9471	1	Cover-Thermostat
130	105-3748	1	Gasket-Thermostat
140	98-7777	2	Bolt



Water Pump and Water Pipe Assembly

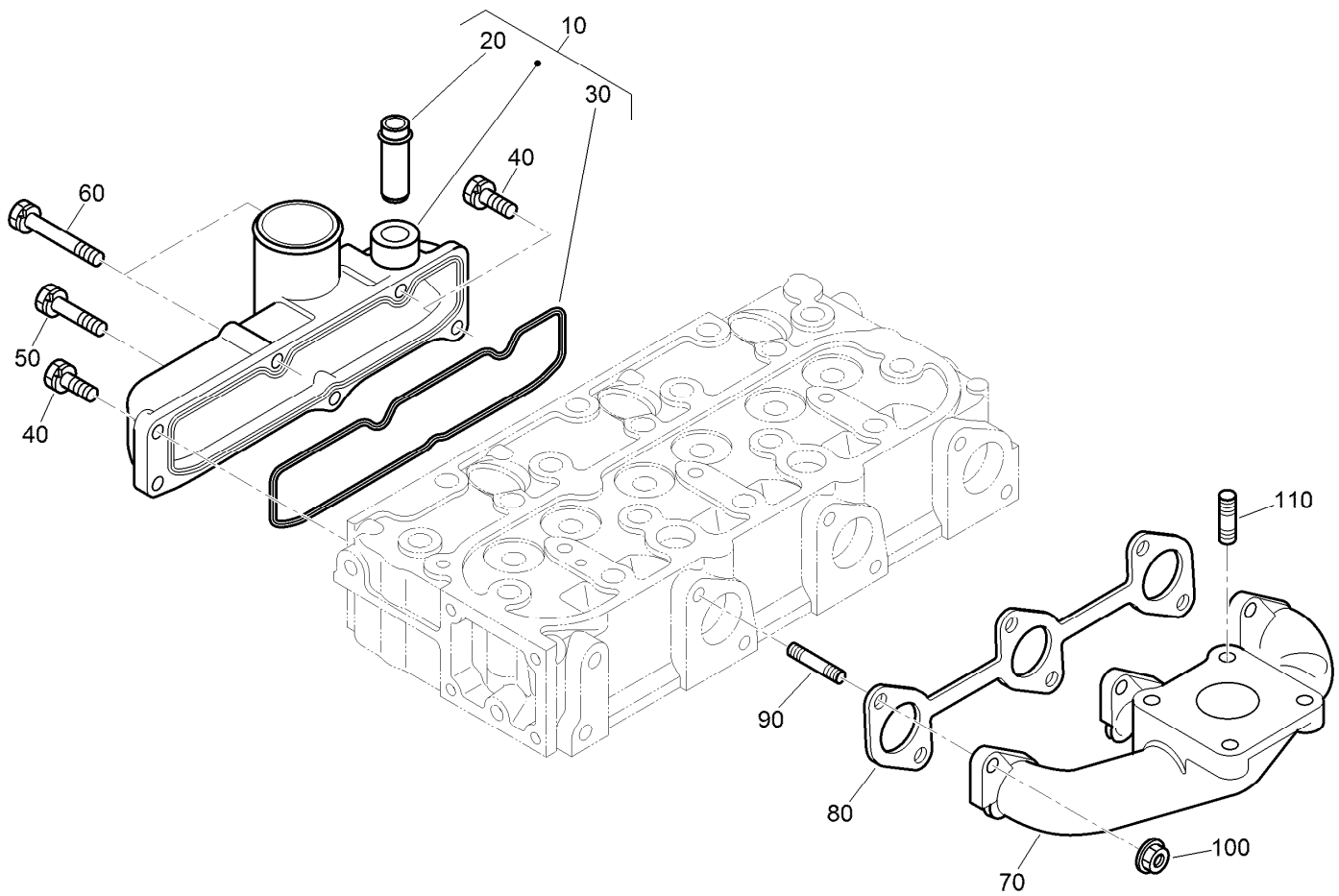
<i>Ref.</i>	<i>Part Number</i>	<i>Qty.</i>	<i>Description</i>
10	107-9089	1	Water Pump ASM
20	99-3516	1	Flange-Pump, Water
40	105-3750	1	Mechanical Seal ASM
50	112-7017	1	Impeller-Pump, Water
60	100-1932	1	Pipe-Return, Water
70	99-3454	1	Gasket-Pump, Water
80	98-9353	4	Bolt
90	98-9357	2	Bolt
100	98-9716	1	Pipe-Water
110	107-9091	1	Pipe-Water
120	127-0439	2	Clamp-Hose



Valve and Rocker Arm Assembly

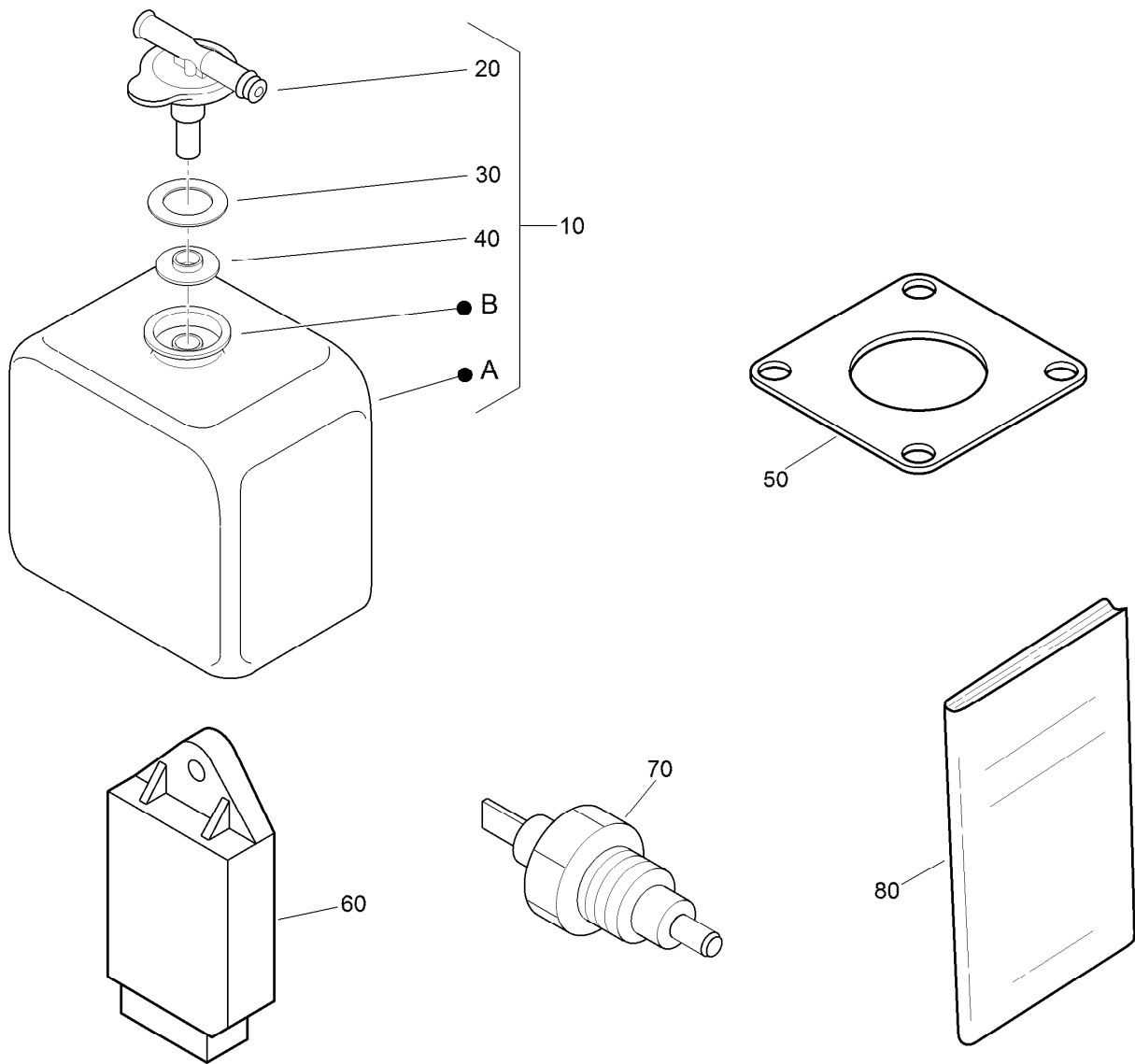
Ref.	Part Number	Qty.	Description
10	112-7018	3	Valve-Inlet
20	120-2564	3	Valve-Exhaust
30	98-9648	6	Spring-Valve
40	107-9092	6	Retainer-Spring
50	117-7572	6	Collet-Spring, Valve
60	99-8385	6	Seal-Stem, Valve
70	98-9497	6	Cap-Valve
80	130-1248	1	Shaft-Arm, Rocker
90	99-8363	2	Bolt-Flange
100	98-9505	3	Bracket-Arm, Rocker

Ref.	Part Number	Qty.	Description
110	105-3758	1	Pin-Spring
120	98-9507	2	Washer-Shaft, Rocker Arm
130	110-3832	2	Washer-Plain
140	98-9504	2	Spring-Arm, Rocker
160	112-7020	6	Rocker Arm ASM
170	98-9502	6	Screw-Adjusting
180	98-9503	6	Nut
190	98-9506	3	Stud
200	98-9393	3	Nut
210	98-9385	3	Washer-Flat



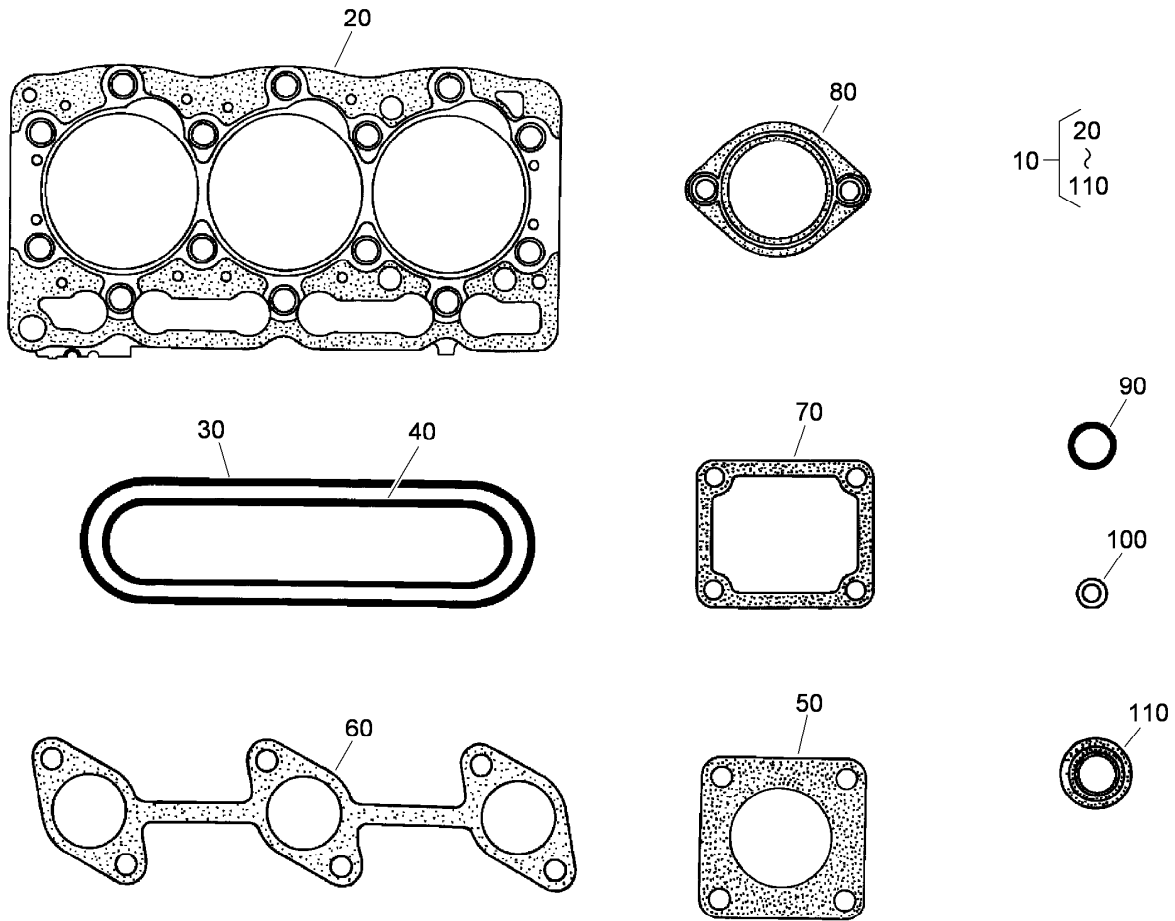
Inlet and Exhaust Manifold Assembly

<i>Ref.</i>	<i>Part Number</i>	<i>Qty.</i>	<i>Description</i>
10	107-7843	1	Manifold Inlet ASM
20	98-9492	1	Joint-Pipe, Breather
30	98-9609	1	Gasket-Manifold, Inlet
40	127-0403	3	Bolt-Flange
50	98-9353	1	Bolt
60	125-9063	2	Bolt-Sems
70	107-9093	1	Manifold-Exhaust
80	99-8327	1	Gasket-Manifold, Exhaust
90	98-9588	6	Stud
100	98-9665	6	Nut
110	98-7769	4	Stud



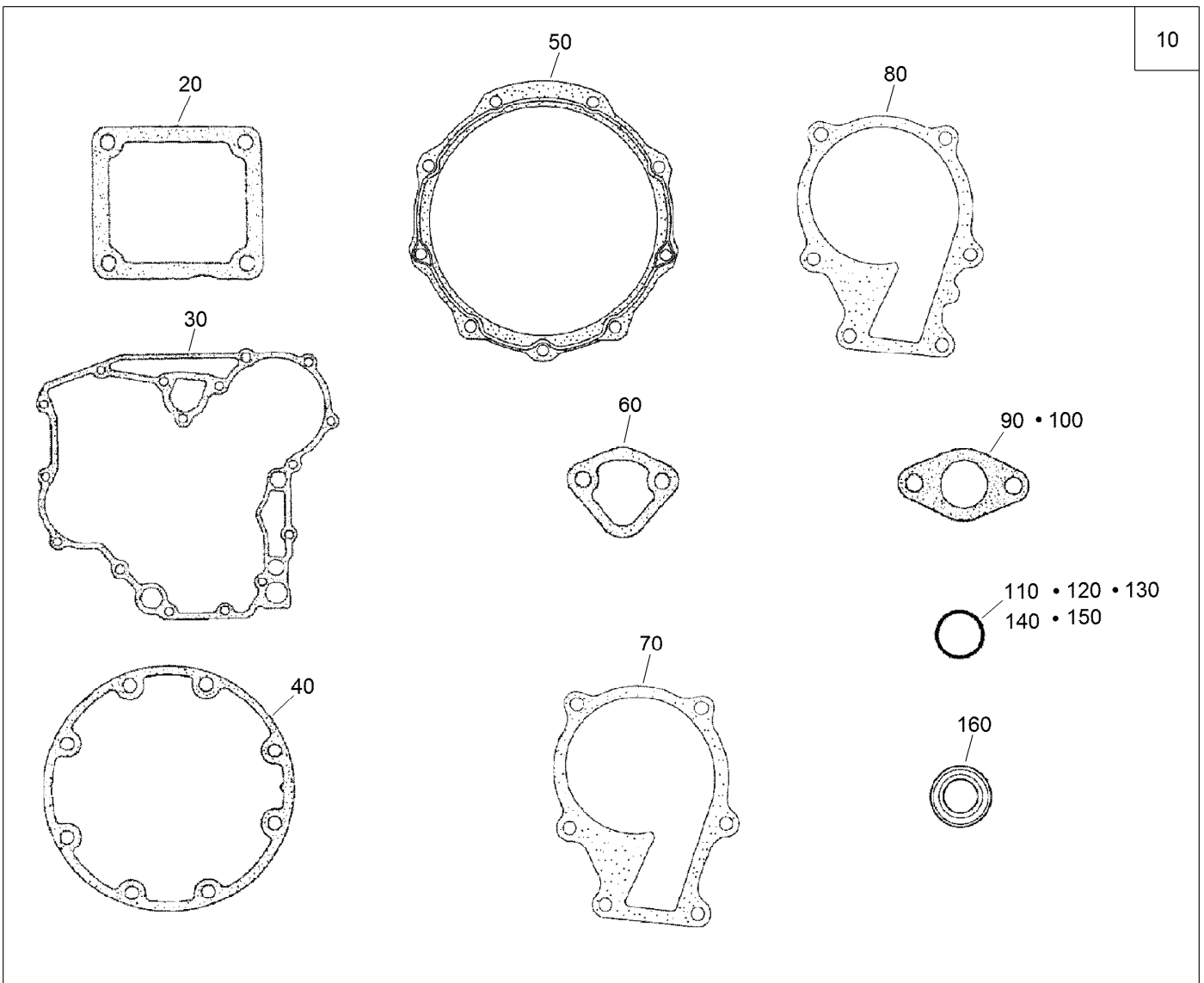
Miscellaneous Engine Parts

<i>Ref.</i>	<i>Part Number</i>	<i>Qty.</i>	<i>Description</i>
10	104-9318	1	Bottle-Overflow
20	115-4132	1	Cap
30	105-3755	1	Gasket
40	105-3756	1	Plate
50	99-8343	1	Gasket-Muffler
60	98-7611	1	Controller-Glow
70	106-7772	1	Thermoswitch
80	130-1543	1	Manual-Operator



Upper Gasket Kit

<i>Ref.</i>	<i>Part Number</i>	<i>Qty.</i>	<i>Description</i>
10	107-7848	1	Upper Gasket Kit
20	108-6573	1	Gasket-Head, Cylinder
30	98-9615	1	Gasket-Cover, Head
40	98-9609	1	Gasket-Manifold, Inlet
50	99-8343	1	Gasket-Muffler
60	99-8327	1	Gasket-Manifold, Exhaust
70	98-9638	1	Gasket-Flange, Water
80	105-3748	1	Gasket-Thermostat
90	99-3446	2	O-Ring
100	98-9454	3	Gasket
110	99-8385	6	Seal-Stem, Valve



Lower Engine Gasket Kit

<i>Ref.</i>	<i>Part Number</i>	<i>Qty.</i>	<i>Description</i>	<i>Ref.</i>	<i>Part Number</i>	<i>Qty.</i>	<i>Description</i>
10	130-1364	1	Lower Gasket Kit	90	98-9682	1	Gasket
20	98-9637	1	Gasket	100	98-9683	1	Gasket-Cover, Solenoid
30	98-9633	1	Gasket-Case, Gear	110	105-3781	2	O-Ring
40	127-0440	1	Gasket-Case, Bearing	120	105-3777	2	O-Ring
50	112-7037	1	Gasket-Cover, Case	130	105-3783	1	O-Ring
60	117-7562	1	Gasket-Pump, Fuel	140	105-3776	1	O-Ring
70	98-9632	1	Gasket-Pump, Water	150	105-3788	1	O-Ring
80	99-3454	1	Gasket-Pump, Water	160	98-7601	1	Seal-Oil

Attachments and Accessories

For 03170 — Reelmaster 3100-D Traction Unit

Product Name	Model/Part
27in Lift Arm Kit	03172
32in Lift Arm Kit	03173
8-Blade 27in DPA Edge Series Cutting Unit	03189
11-Blade 27in DPA Edge Series Cutting Unit	03190
8-Blade 32in DPA Edge Series Cutting Unit	03191
RM3105 27in, 8bld Rr Es No Frt Roller Cu	03192
27in Verticutter Cutting Unit	03203
Operator Cooling Fan	03247
Switch Panel-Universal Sunshade	03248
Wireless Hourmeter	115-4754
External Antenna Kit, Wireless Hourmeter System	115-9524
Base Station Kit, Wireless Hourmeter System	115-9542
Repeater Kit, Wireless Hourmeter System	115-9543
Tire	120-7639
Smooth Rear Tire	127-2796
Hi-Back Seat Cover	133-1308
PX Hydraulic Fluid (5 Gal)	133-8086
PX Hydraulic Fluid (55 Gal)	133-8087
Wheel Weight Kit	136-3315
Decal-Service, Japan	138-1190
Beacon Kit	138-2699
Power Harness Kit	138-2993
Work Lights Kit, Groundsmaster and Reelmaster Traction Units with Universal Sunshade	140-1554
Hydraulic Booster-10.5 fl oz	145-5286
Premium Seat Kit	30629
White Universal Sunshade	30669
Red Universal Sunshade	30671
Arm Rest Kit	30707
LED Work Light Kit	31692
New Red Paint - Gallon	361-11
Dark Metallic Gray Aerosol Paint	361-12
Semi-Gloss Black Spray Paint	361-9
1000 Hour MVP Kit	44963
Air Dry Red Paint - Qt	5340



Count on it.