



**Count on it.**

**Parts Catalog**

**Groundsmaster® 3310  
All-Wheel Drive Traction Unit**

Model No. 31909A—Serial No. 42000000 and Up



# Ordering Replacement Parts

To order replacement parts, please supply the part number, the quantity, and the description of each part desired.

## Understanding Reference Numbers

Each identified part in an illustration has a reference number. The reference number for a part also appears in the parts list, along with other information about the part.

This catalog uses two special reference number formats, one to indicate parts in a service assembly and another to indicate the quantity of a given part in an illustration.

## Service Assembly Reference Numbers

Parts in service assemblies have reference numbers in the form a:b. The a represents the reference number of the entire service assembly and the b represents a sequential number unique to each part within the service assembly.

For example, a wheel assembly might be identified by reference number 6, the tire by 6:1, the valve by 6:2, and the wheel by 6:3. When you order the assembly identified by reference number 6, you receive all parts identified by reference numbers 6:1, 6:2, and 6:3. However, you may also order any part individually. Reference numbers of this type appear in illustration and in parts lists.

## Reference Numbers Indicating Quantity

In an illustration, if a reference number indicates more than one part, the reference number has the form nX y. The n represents the quantity of the part, the X is the multiplication symbol, and the y represents the reference number.

For example, in an illustration, the reference number 2X 37 means that two of the parts identified by reference number 37 are indicated.

# Contents

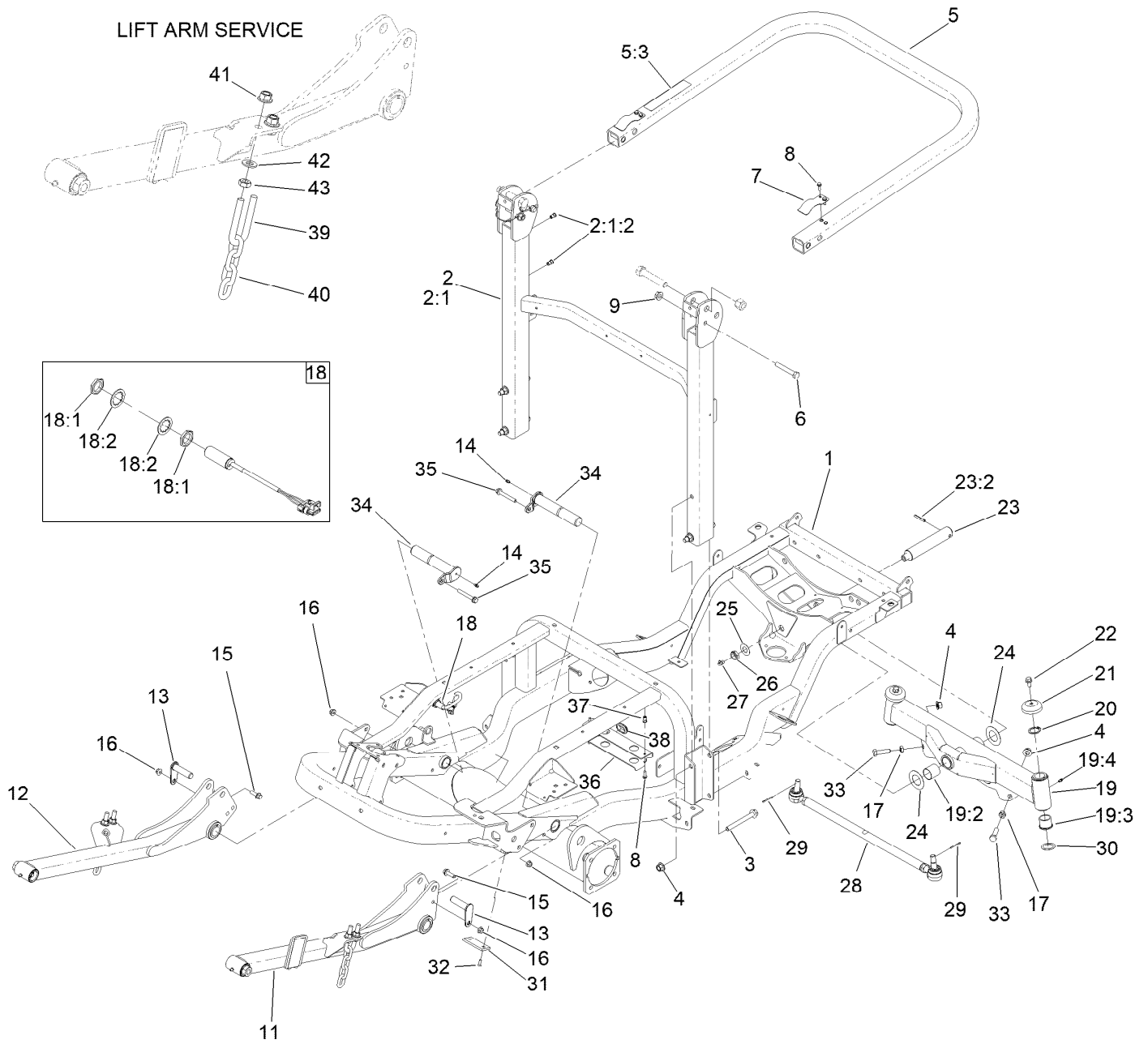
Frame and Roll-Over Protection System Assembly	6
LH Lift Arm Assembly No. 144-3943	8
RH Lift Arm Assembly No. 144-3942	10
Tie Rod Assembly No. 144-3900	12
Brake Assembly	14
Left Hand Brake Assembly No. 120-0235	16
Right Hand Brake Assembly No. 120-0233	17
Hydraulic Drive Assembly	18
Hydraulic Motor Assembly No. 137-2458	19
Hydraulic Motor Assembly No. 137-2478	20
Hydraulic Motor Assembly No. 137-2479	21
Hydraulic Motor Assembly No. 137-2459	22
Steering/Lift Manifold Assembly No. 145-6080	23
Radiator and Cooler Assembly	25
Fuel System Assembly	26
Fuel Tank Assembly No. 138-0291	27
Hydraulic Tank Assembly No. 138-4418	28
Platform, Steering and Console Assembly	29
Steering Column Assembly No. 139-0857	30
Pedal Assembly	31
Control Console Assembly	33
Hood Assembly	34
Pump, Driveshaft and Clutch Assembly	35
Pump Assembly No. 145-5940	36
Driveshaft Assembly No. 163-1700SP	38
Hydraulic Assembly	40
Gear Pump Assembly No. 147-5115	42
Hydraulic Cylinder No. 139-0854	44
Steering Valve Assembly No. 114-8119	46
Steering Cylinder Assembly No. 139-6277	48
Hydraulic Traction Assembly	50
Miscellaneous Parts Assembly	52
Electrical Assembly	54
Seat, Firewall and Step Mount Assembly	56
Air Ride Suspension Seat Assembly No. 161-0807	58
Compressor and Belt Assembly	60
Bumper and Weight Assembly	62
Washer Fluid Tank Assembly No. 140-6665	64
Engine, Main Wire Harness and Fuel Assembly	66
Wire Harness Assembly No. 122-2518	67
Engine Mount, Exhaust and Air Cleaner Assembly	68
Air Cleaner Assembly No. 136-4481	69
Frame, Mount and Seals Assembly	70
Interior Foam and Carpet Assembly	72
Cab Mirrors Assembly	74
Decal Assembly	76
Door Assembly	78
LH Door Assembly	80
RH Door Assembly	82
Front and Rear Glass Assembly	84
Window Wiper System Assembly	86
Window Wiper Assembly	88
Window Wiper Hose Assembly	90
Heater Assembly	92

# Contents (continued)

HVAC Assembly No. 163-0361 .....	94
Roof, Air Filter and Condenser Assembly .....	96
Heat Hose Assembly .....	98
Electrical Component Assembly .....	100
Floor Sound Reduction Assembly .....	102
Cab Sound Reduction Assembly .....	104
Floormat Assembly .....	106
Fuse Assembly .....	108
Frame, Mount and Seals Assembly .....	110
Interior Foam and Carpet Assembly .....	112
Window Wiper System and Fuel Vent Assembly .....	114
Heat/AC Hose Assembly .....	116
Miscellaneous Heat/AC Parts Assembly .....	118
Sound Reduction Assembly .....	120
Cylinder Block Assembly .....	122
Gear Housing Assembly .....	124
Mounting Flange and Oil Sump Assembly .....	126
Cylinder Head Assembly .....	128
Suction Manifold Assembly .....	130
Exhaust Manifold Assembly .....	132
Camshaft Assembly .....	134
Crankshaft Assembly .....	136
Oil Pump and Filter Assembly .....	138
Water Pump and Fan Assembly .....	140
Fuel Injection Pump Assembly .....	142
Governor Assembly .....	144
Fuel Injection Valve Assembly .....	146
Fuel Filter Assembly .....	148
Starting Motor Assembly .....	150
Generator Assembly .....	152
Accessories Assembly .....	154
Attachments and Accessories .....	156



# Frame and Roll-Over Protection System Assembly



# Frame and Roll-Over Protection System Assembly (continued)

<i>Ref.</i>	<i>Part Number</i>	<i>Qty.</i>	<i>Description</i>	<i>Ref.</i>	<i>Part Number</i>	<i>Qty.</i>	<i>Description</i>
1	145-6050SP	1	Frame ASM	19:4	302-5	2	Fitting-Grease
2	139-6254SP	1	ROPS ASM, Lower	20	32151-77	2	Ring-Retaining, External
2:1		1	Lower ROPS ASM ●	21	69-8890	2	Cap-Spindle
2:1:2	138-2758	4	Nut-Clinch,Hex	22	3234-1	2	Screw-HHF
3	117-3176	4	Screw-HHF	23	140-6101	1	Pin ASM-Axle Pivot
4	139-1689	6	Nut-HF	23:2	32121-32	1	Pin-Roll
5	138-7470	1	ROPS ASM, Upper	24	99-8432	2	Washer-Thrust
5:3	108-2073	1	Decal-Warning	25	71-4540	1	Washer-Thrust
6	325-13	2	Screw-HH	26	3296-15	1	Nut-Lock, NI
7	110-5696	2	Spring-Leaf	27	302-33	1	Fitting-Grease
8	32105-15	6	Screw-HWH	28	144-3900	1	Tie Rod ASM
9	32128-23	2	Nut-HF	29	3272-12	2	Pin-Cotter
11	144-3943	1	Lift Arm ASM. LH	30	76-2980	2	Washer-Thrust
12	144-3942	1	Lift Arm ASM. RH	31	138-4452	2	Pad-Stop, Deck
13	138-7489	2	Pin (Machined)	32	3289-4	4	Screw-FH
14	302-40	2	Fitting-Grease, 90 DEG	33	325-7	2	Screw-HH
15	119-4061	2	Screw-HHF	34	138-4593	2	Pin
16	119-4042	4	Nut-HF, NI	35	133-9682	2	Screw-Hfh
17	3218-5	2	Nut-Jam	36	147-0045-0P	1	Channel-Harness Retainer
18	115-5300	1	Sensor, Proximity Sensor ASM	37	138-2758	2	Nut-Clinch,Hex
18:1	117-3207	2	Nut-Hex	38	240-5	1	Grommet
18:2	117-3208	2	Washer-Lock, Internal Tooth	39	104-0108	2	U-Bolt
19	161-2404	1	Axle ASM	40	95-6231	2	Chain-HOC
19:2	99-6964	2	Bushing-Axle	41	139-1689	4	Nut-HF
19:3	104-0015	4	Bushing-Flange	42	3256-26	4	Washer-Flat
				43	3218-5	4	Nut-Jam

● Not serviced separately



# LH Lift Arm Assembly No. 144-3943 (continued)

<i>Ref.</i>	<i>Part Number</i>	<i>Qty.</i>	<i>Description</i>	<i>Ref.</i>	<i>Part Number</i>	<i>Qty.</i>	<i>Description</i>
1		1	Lift Arm ASM, LH ●	4	139-0910	1	Bolt-Shoulder
1:2		1	Hub-ASM ●	5	139-1689	1	Nut-HF
1:2:2	104-0015	2	Bushing-Flange	6	302-5	1	Fitting-Grease
2	105-7441	1	Bearing-Spherical	7	139-0948	1	Pad-Ride, Pin
3	32151-34	1	Ring-Retaining				

● Not serviced separately

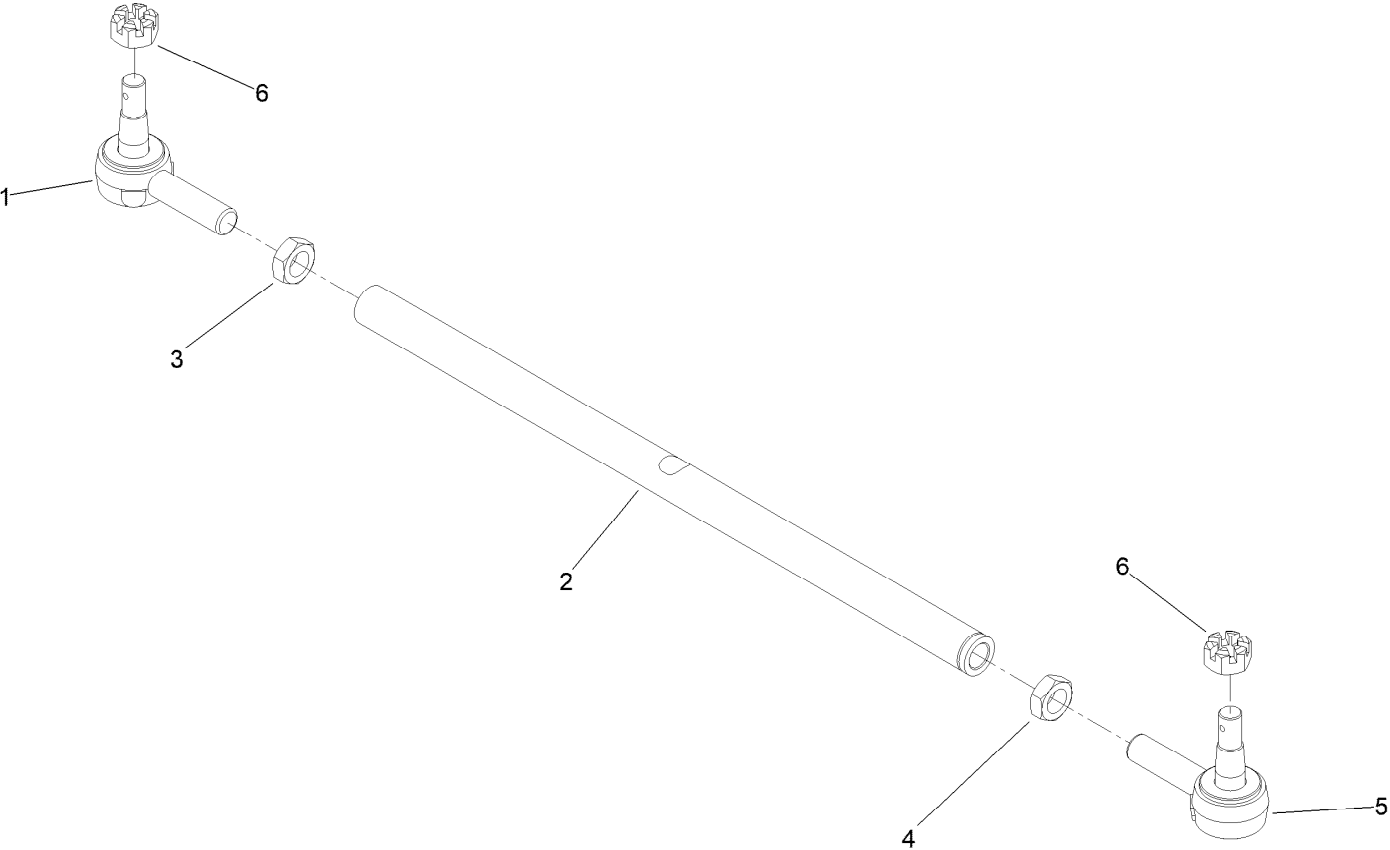


# RH Lift Arm Assembly No. 144-3942 (continued)

<i>Ref.</i>	<i>Part Number</i>	<i>Qty.</i>	<i>Description</i>	<i>Ref.</i>	<i>Part Number</i>	<i>Qty.</i>	<i>Description</i>
1		1	Lift Arm ASM, RH ●	3	139-0910	1	Bolt-Shoulder
1:2		1	Hub-ASM ●	4	139-1689	1	Nut-HF
1:2:2	104-0015	2	Bushing-Flange	5	32151-34	1	Ring-Retaining
2	105-7441	1	Bearing-Spherical	6	302-5	1	Fitting-Grease

● Not serviced separately

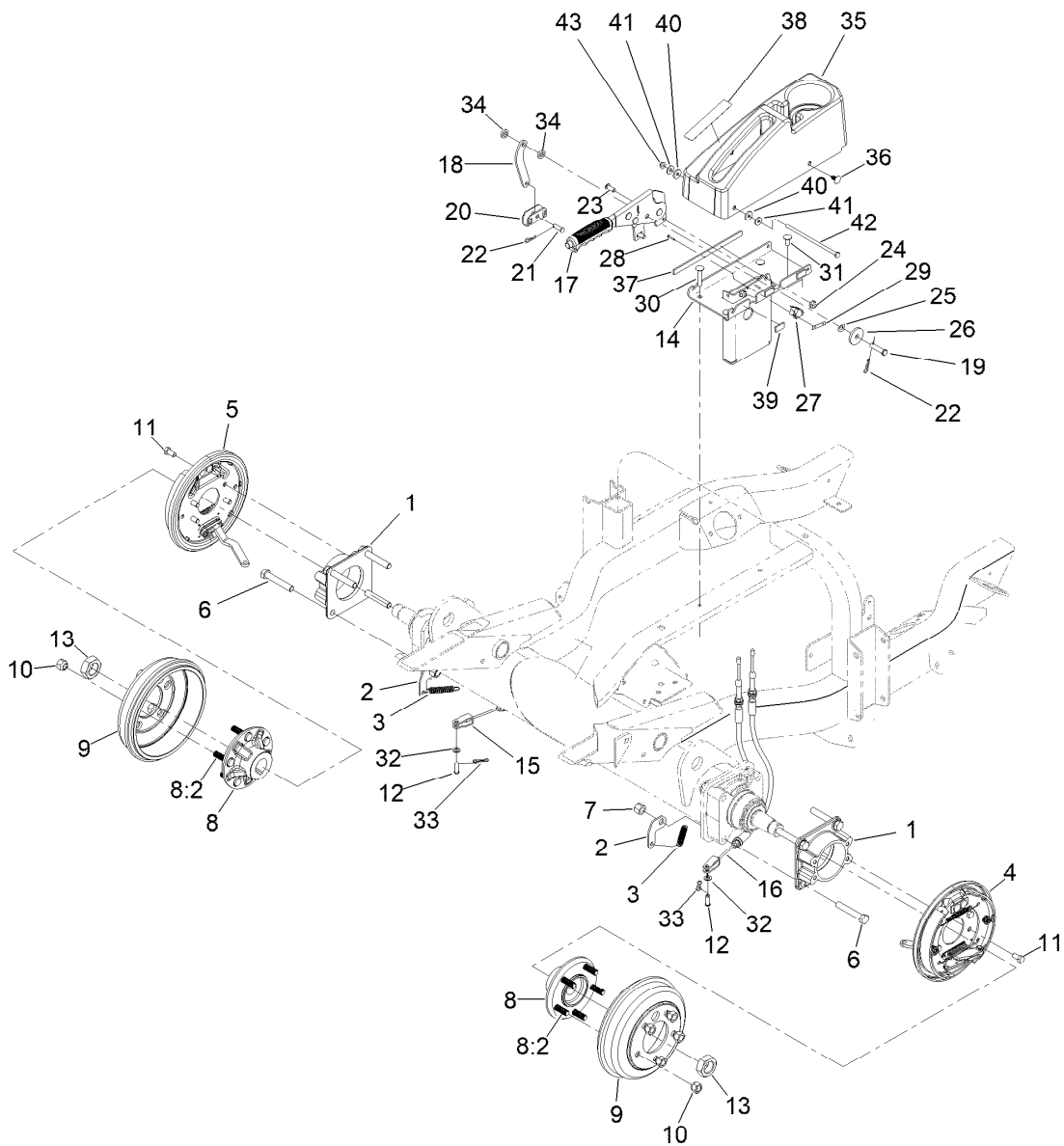
# Tie Rod Assembly No. 144-3900



## Tie Rod Assembly No. 144-3900 (continued)

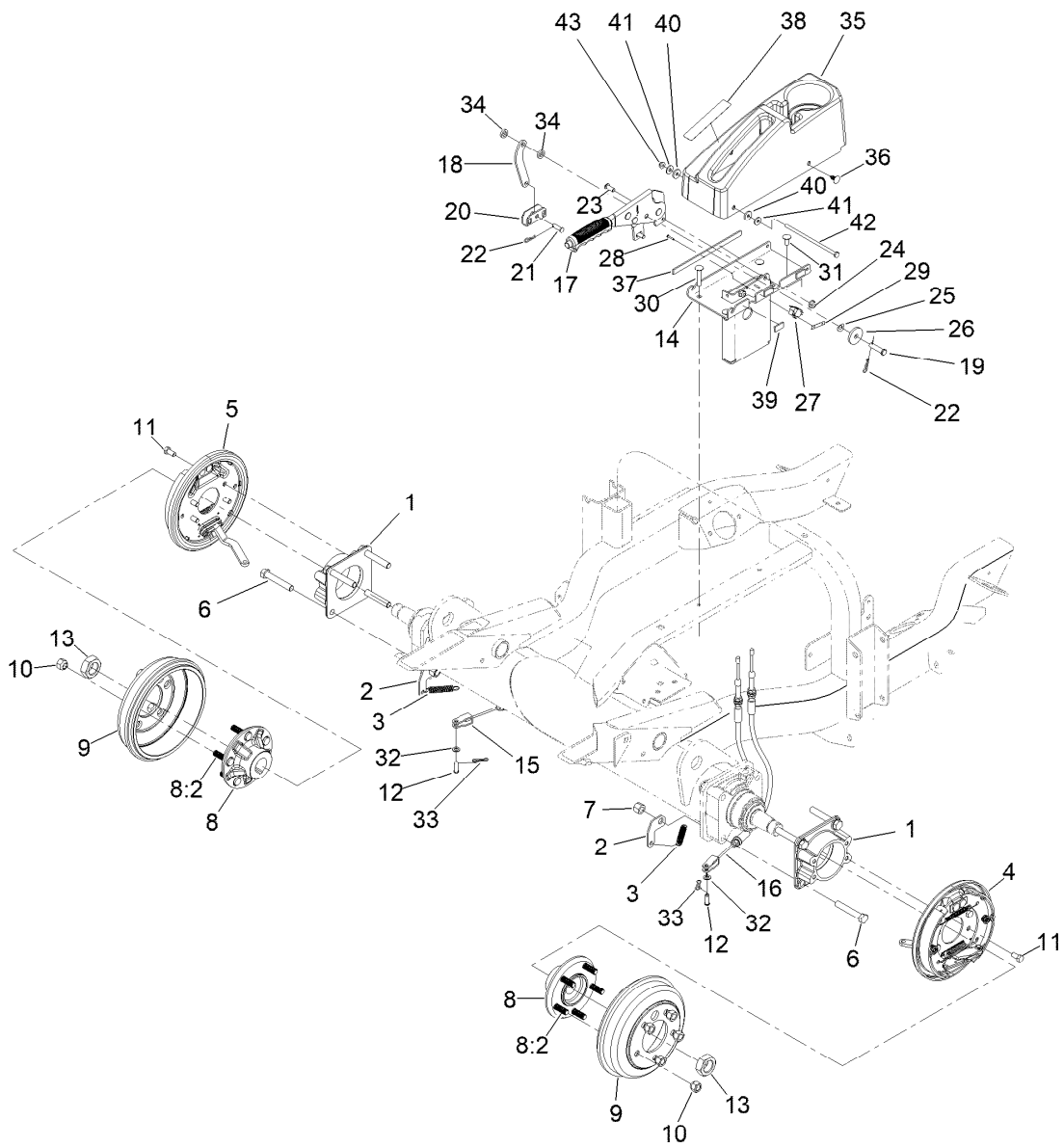
<i>Ref.</i>	<i>Part Number</i>	<i>Qty.</i>	<i>Description</i>
1	144-3901	1	End-Rod, Tie
2	133-6463	1	Tie-Rod
3	84-5300	1	Nut-Jam

<i>Ref.</i>	<i>Part Number</i>	<i>Qty.</i>	<i>Description</i>
4	110-5337	1	Nut-Jam
5	144-3902	1	End-Rod, Tie
6	140-6135	2	Nut-Hex, Slotted



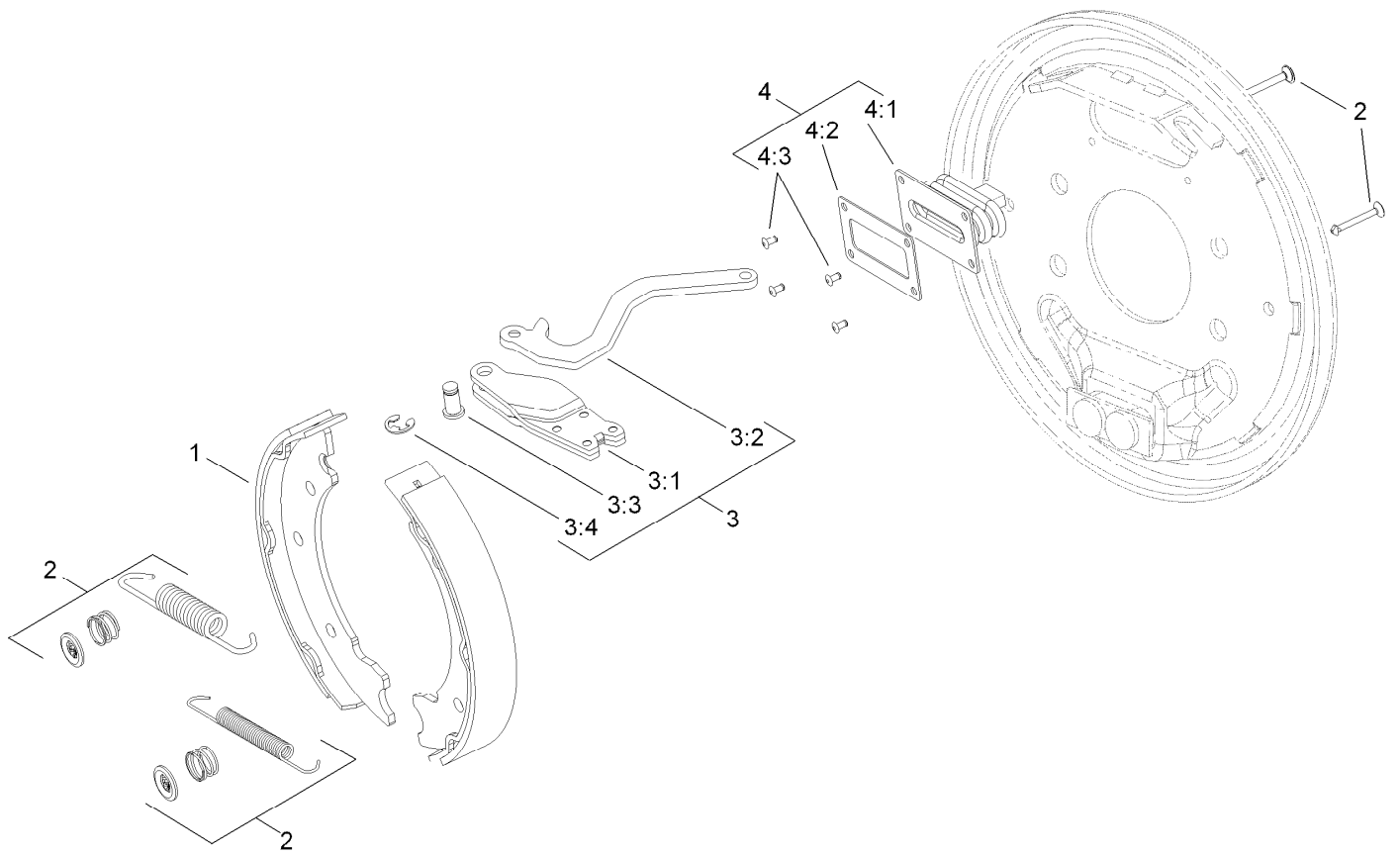
## Brake Assembly

Ref.	Part Number	Qty.	Description	Ref.	Part Number	Qty.	Description
1	147-3594	2	Adapter-Brake	21	1-808280	1	Pin-Clevis
2	138-4499	2	Clip-Spring	22	1-806003	2	Pin-Cotter
3	137-2591	2	Spring-Extension	23	3274-55	2	Screw-HSBH
4	120-0235	1	LH Brake ASM	24	119-4041	6	Nut-HF
5	120-0233	1	RH Brake ASM	25	121-4605	1	Washer-Spring
6	325-12	8	Screw-HH	26	131-8496	1	Washer-Plain
7	3296-23	8	Nut-Lock, NI	27	108-6496	1	Switch (W/Boot)
8	137-2470	2	Hub ASM	28	95-3003	2	Screw-PPHTF
8:2	114-3918	5	Stud-Wheel	29	3290-354	1	Nut-Speed
9	114-8864	2	Drum-Brake	30	116-0629	2	Screw-CARR
10	139-2564	10	Nut-Lug	31	137-3061	2	Bolt-CARR
11	323-4	8	Screw-HH	32	3256-74	2	Washer-Flat
12	283-58	2	Pin-Clevis	33	119-1415	2	Pin-Cotter, Locking
13	107-9319	2	Nut-Hex	34	3-3287	2	Spacer
14	147-0064-0P	1	Mount-Brake, Parking	35	138-7475	1	Cover-Brake, Parking
15	137-2640	1	Cable-Brake, Adjustable RH	36	117-2382	2	Plug-Plastic
16	137-2641	1	Cable-Brake, Adjustable LH	37	132-7282	1	Strip-Foam
17	131-8320	1	Lever-Brake, Park	38	139-6224	1	Decal-Brake, Parking
18	144-0516	1	Link-Park, Brake	39	115-5417	3	Strip-Foam
19	283-10	1	Pin-Clevis	40	144-0499	2	Washer-Epdm
20	87-3480	1	Bracket-Equalizer, Cable	41	3256-78	2	Washer-Flat



## Brake Assembly (continued)

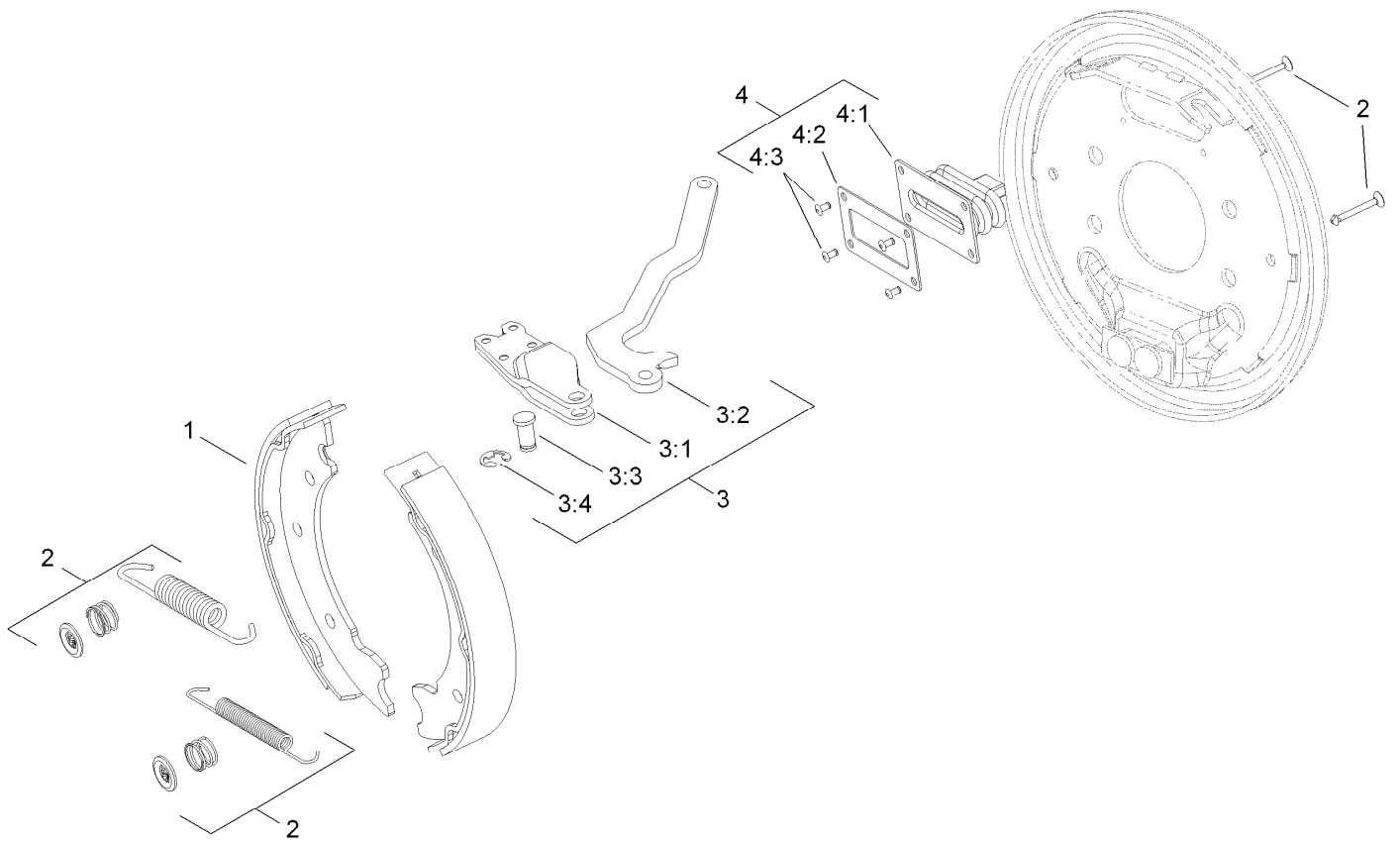
<i>Ref.</i>	<i>Part Number</i>	<i>Qty.</i>	<i>Description</i>
42	321-21	1	Screw-HH
43	104-7201	1	Nut-HF, NI



## Left Hand Brake Assembly No. 120-0235

Ref.	Part Number	Qty.	Description
1	139-5950	1	Brake Shoe Kit
2	108-6983	1	Brake Hardware Kit
3	120-0236	1	LH Actuator Kit
3:1		1	Housing ●
3:2		1	Lever-LH ●
3:3		1	Pin-Pivot ●
3:4		1	E-Ring ●
4	110-8885	1	Dust Boot Kit
4:1		1	Boot ●
4:2		1	Plate-Back Up ●
4:3		2	Rivet ●

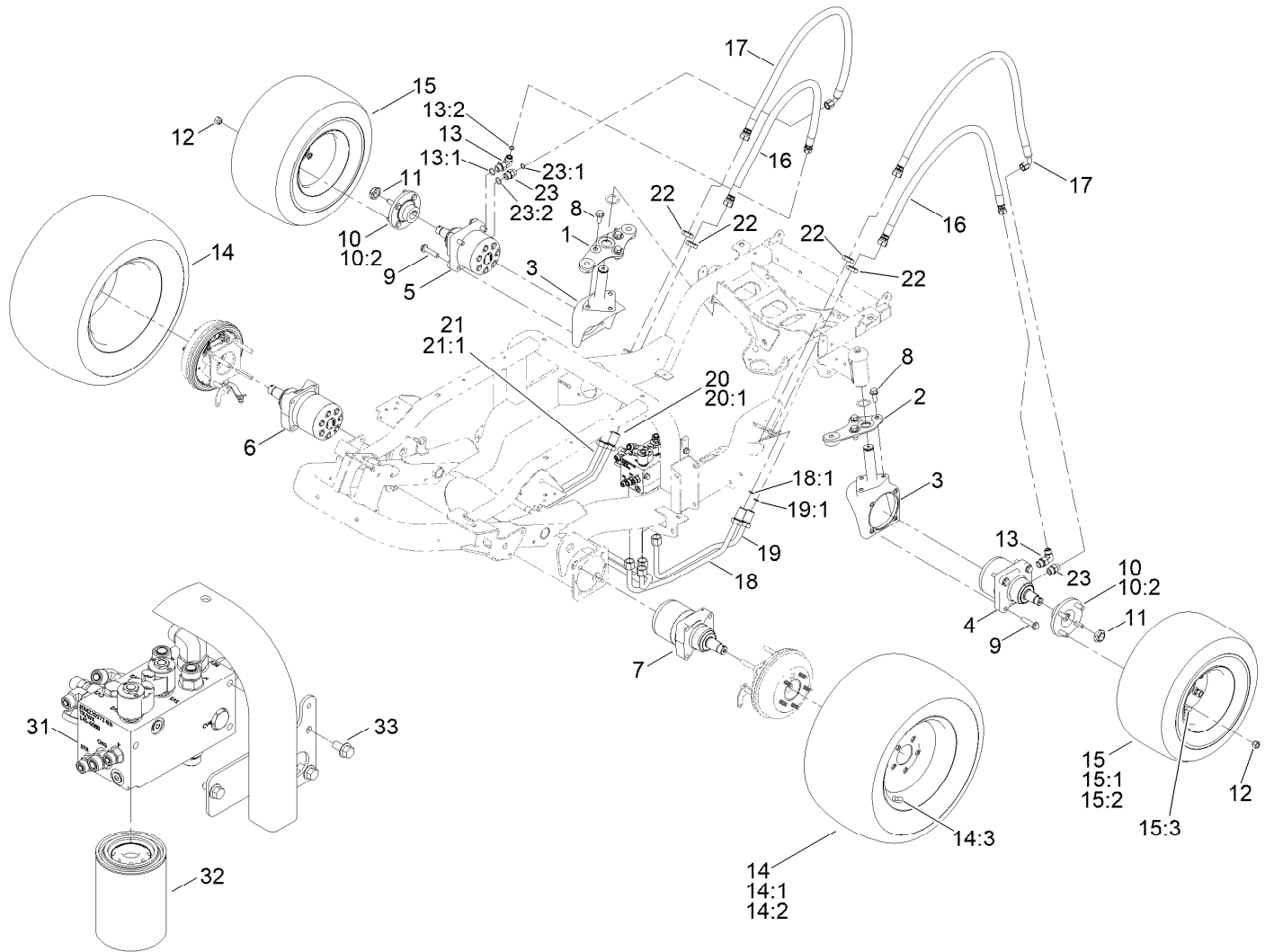
● Not serviced separately



## Right Hand Brake Assembly No. 120-0233

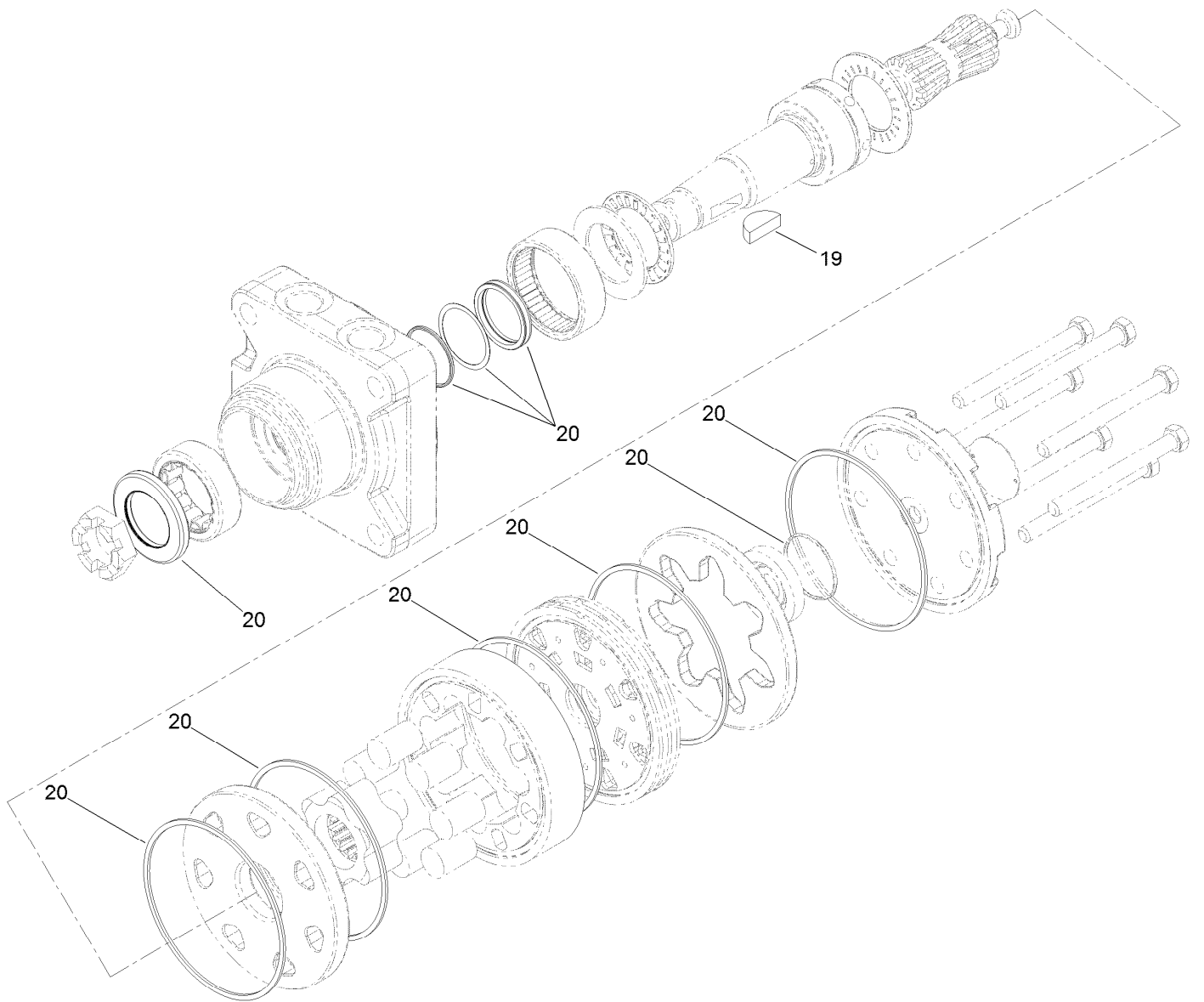
Ref.	Part Number	Qty.	Description
1	139-5950	1	Brake Shoe Kit
2	108-6983	1	Brake Hardware Kit
3	120-0234	1	RH Actuator Kit
3:1		1	Housing ●
3:2		1	Lever-RH ●
3:3		1	Pin-Pivot ●
3:4		1	E-Ring ●
4	110-8885	1	Dust Boot Kit
4:1		1	Boot ●
4:2		1	Plate-Back Up ●
4:3		2	Rivet ●

● Not serviced separately



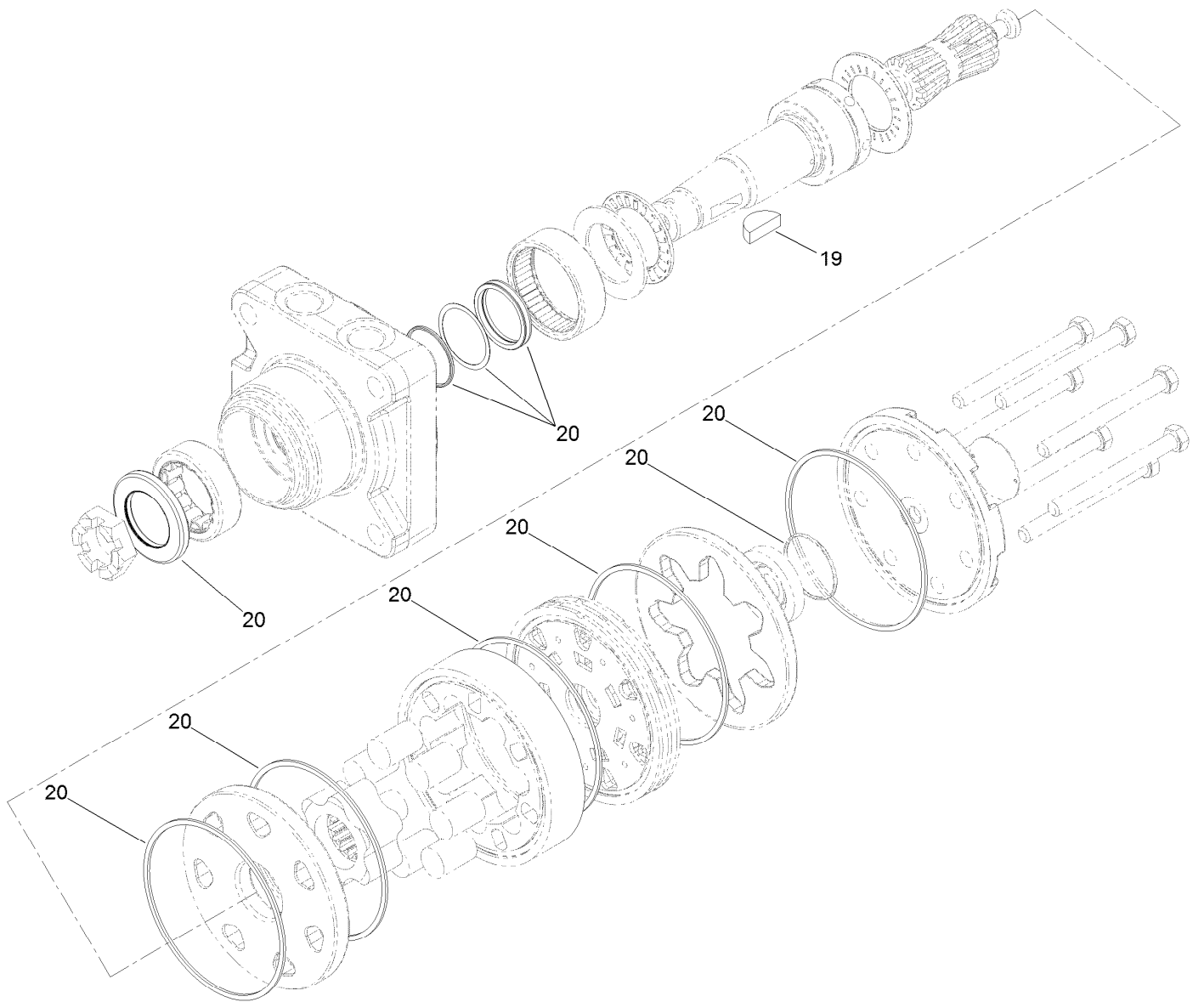
## Hydraulic Drive Assembly

Ref.	Part Number	Qty.	Description	Ref.	Part Number	Qty.	Description
1	140-3142	1	Link-Drag, RH	15:1	137-2596	1	Tire
2	140-3144	1	Link-Drag, LH	15:2	137-2597	1	Rim
3	161-5128	2	Housing-Motor	15:3	232-27	1	Stem-Valve
4	137-2458	1	Motor-Hydraulic, CCW	16	144-3929	2	Hose ASM, Hydraulic
5	137-2478	1	Motor-Hydraulic, CW	17	144-3928	2	Hose ASM, Hydraulic
6	137-2479	1	Motor-Hydraulic, CW	18	138-0334	1	Hydraulic Tube ASM
7	137-2459	1	Motor-Hydraulic, CCW	18:1	237-65	1	O-Ring
8	3234-38	6	Screw-HHF	19	138-0335	1	Hydraulic Tube ASM
9	3234-46	8	Screw-HHF	19:1	237-65	1	O-Ring
10	147-0098	2	Hub ASM	20	145-6069	1	Hydraulic Tube ASM
10:2	147-0130	4	Stud-Wheel	20:1	237-65	1	O-Ring
11	107-9319	2	Nut-Hex	21	145-6071	1	Hydraulic Tube ASM
12	139-2564	8	Nut-Lug	21:1	237-65	1	O-Ring
13	340-105	2	Fitting-Elbow, 90 DEG	22	340-74	4	Nut-Lock, Bulkhead
13:1	237-80	1	O-Ring	23	340-6	2	Fitting-Straight
13:2	237-30	1	O-Ring	23:1	237-30	1	O-Ring
14	137-2590	2	Wheel ASM	23:2	237-80	1	O-Ring
14:1	137-2594	1	Tire	31	145-6080	1	Manifold Steering/Lift-4Wd
14:2	137-2595	1	Rim	32	86-3010	1	Filter-Oil
14:3	232-27	1	Stem-Valve	33	3234-1	3	Screw-HHF
15	137-2592	2	Wheel ASM				



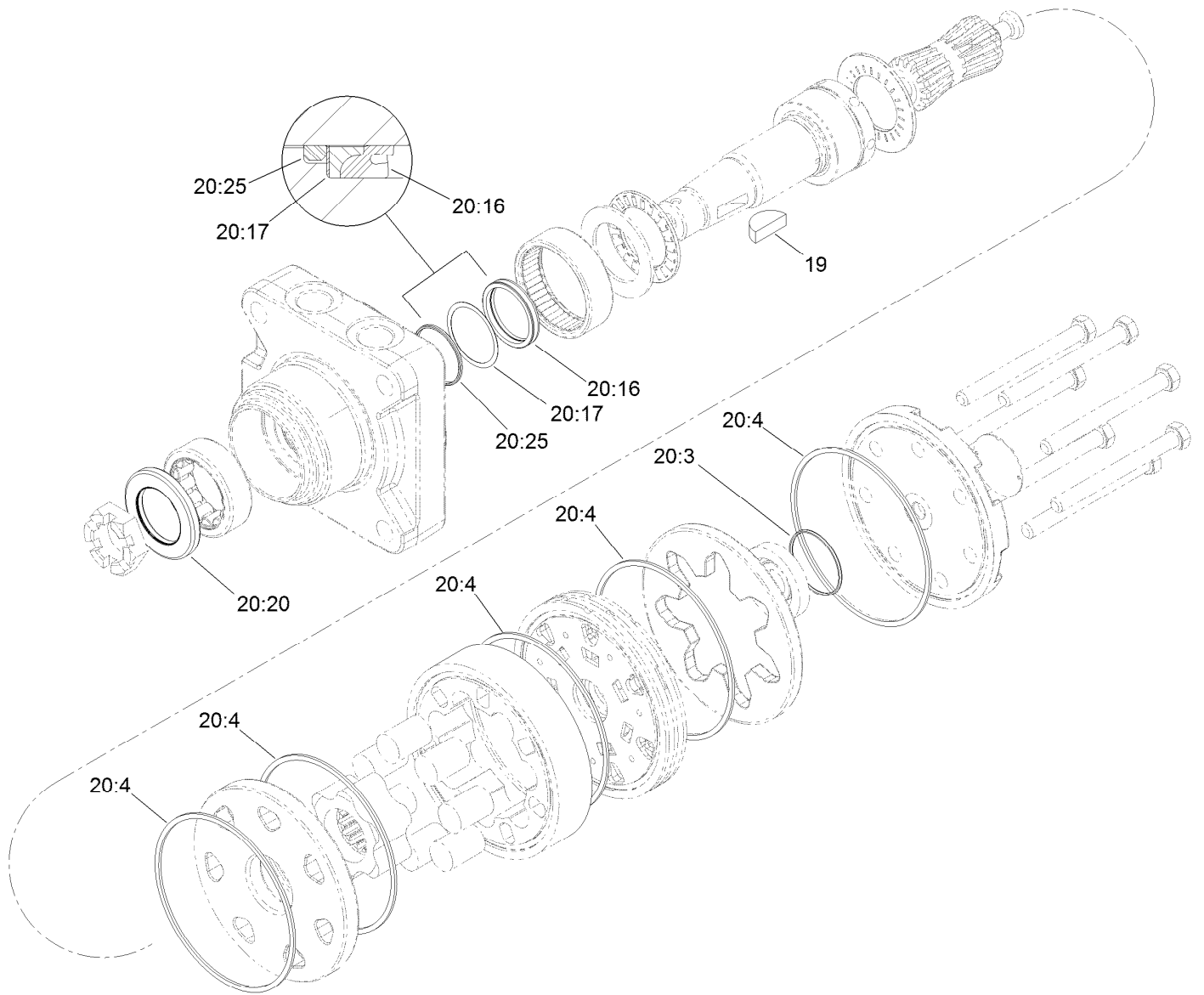
## Hydraulic Motor Assembly No. 137-2458

<i>Ref.</i>	<i>Part Number</i>	<i>Qty.</i>	<i>Description</i>
19	3257-42	1	Key-Woodruff
20	110-8896	1	Seal Kit



## Hydraulic Motor Assembly No. 137-2478

<i>Ref.</i>	<i>Part Number</i>	<i>Qty.</i>	<i>Description</i>
19	3257-42	1	Key-Woodruff
20	110-8896	1	Seal Kit

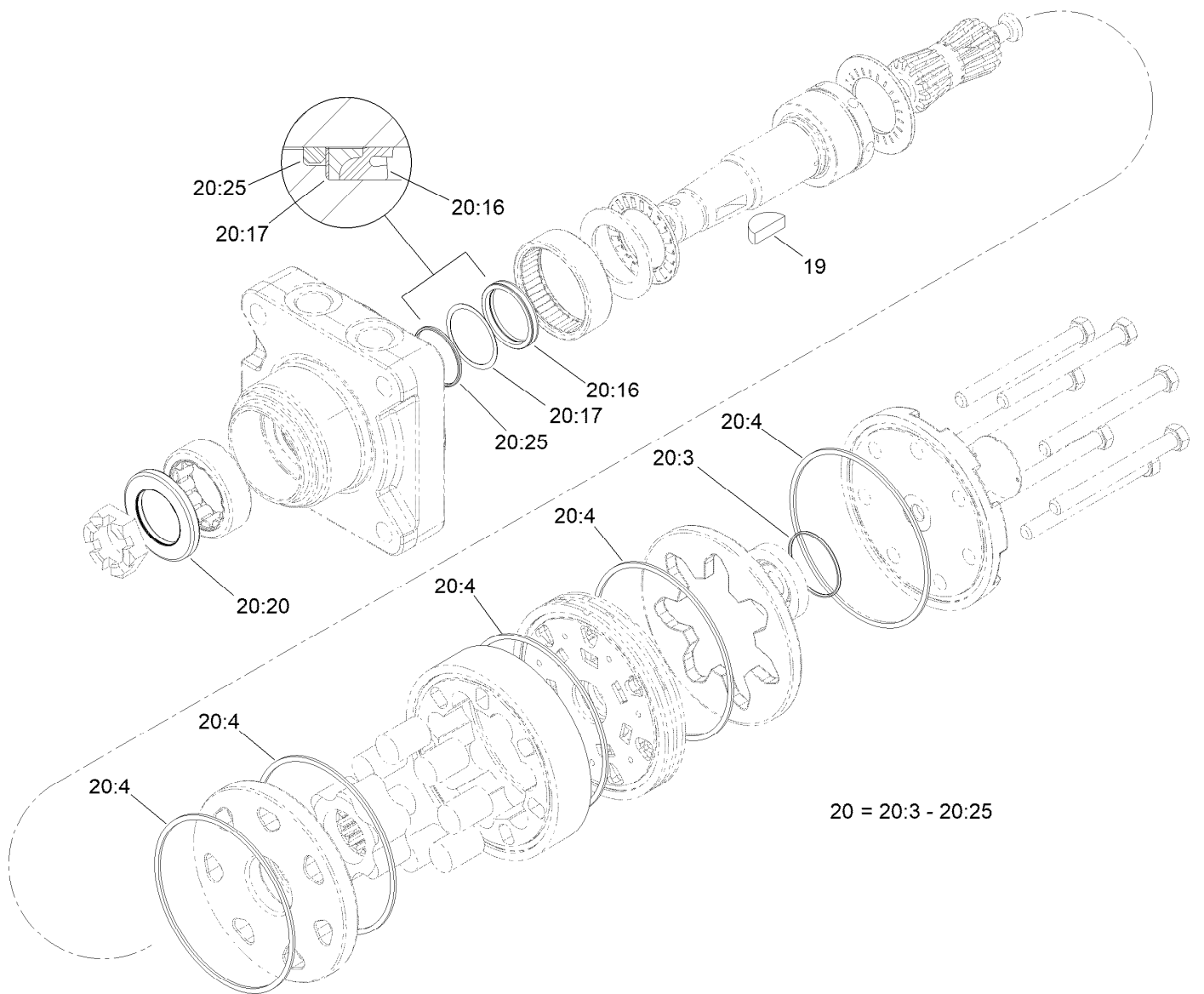


## Hydraulic Motor Assembly No. 137-2479

<i>Ref.</i>	<i>Part Number</i>	<i>Qty.</i>	<i>Description</i>
19	3257-42	1	Key-Woodruff
20	110-8896	1	Seal Kit ●
20:3		1	Seal-Commutator, Vespel ■
20:4		6	Seal-Body, Buna ■
20:16		1	Seal-Shaft ■
20:17		1	Washer-Back Up ■
20:20		1	Seal-Dirt/Water ■
20:25		1	Ring-Back Up ■

● Not illustrated

■ Not serviced separately

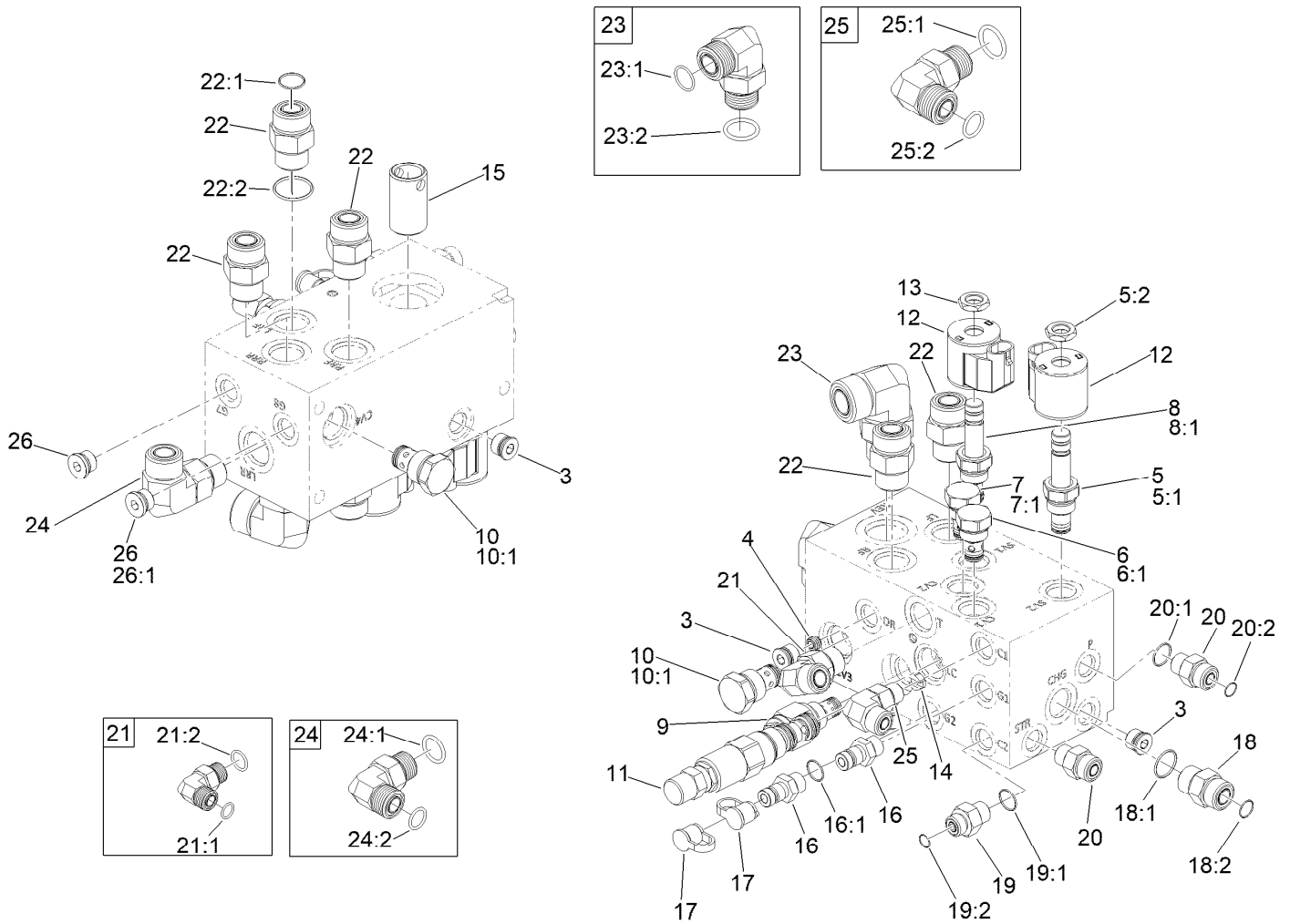


## Hydraulic Motor Assembly No. 137-2459

<i>Ref.</i>	<i>Part Number</i>	<i>Qty.</i>	<i>Description</i>
19	3257-42	1	Key-Woodruff
20	110-8896	1	Seal Kit
20:3		1	Seal-Commutator, Vespel ●
20:4		6	Seal-Body, Buna ●
20:16		1	Seal-Shaft ●
20:17		1	Washer-Back Up ●
20:20		1	Seal-Dirt/Water ●
20:25		1	Ring-Back Up ●

● Not serviced separately



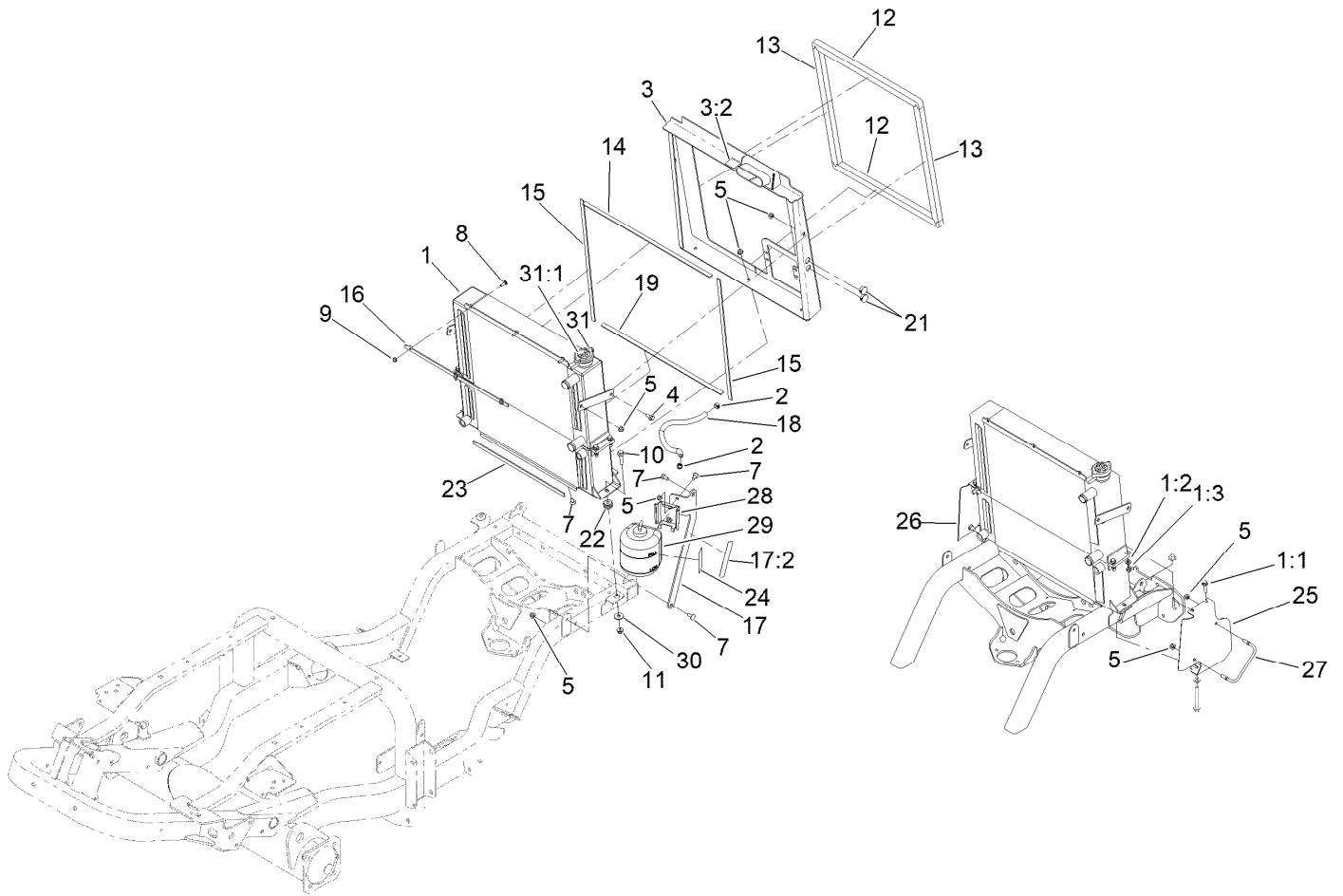


## Steering/Lift Manifold Assembly No. 145-6080 (continued)

Ref.	Part Number	Qty.	Description
22:1	237-65	1	O-Ring
22:2	237-80	1	O-Ring
23	340-142	1	Fitting-Elbow, 90 DEG
23:1	237-58	1	O-Ring
23:2	237-81	1	O-Ring
24	340-17	1	Fitting-Elbow, 90 DEG
24:1	237-65	1	O-Ring

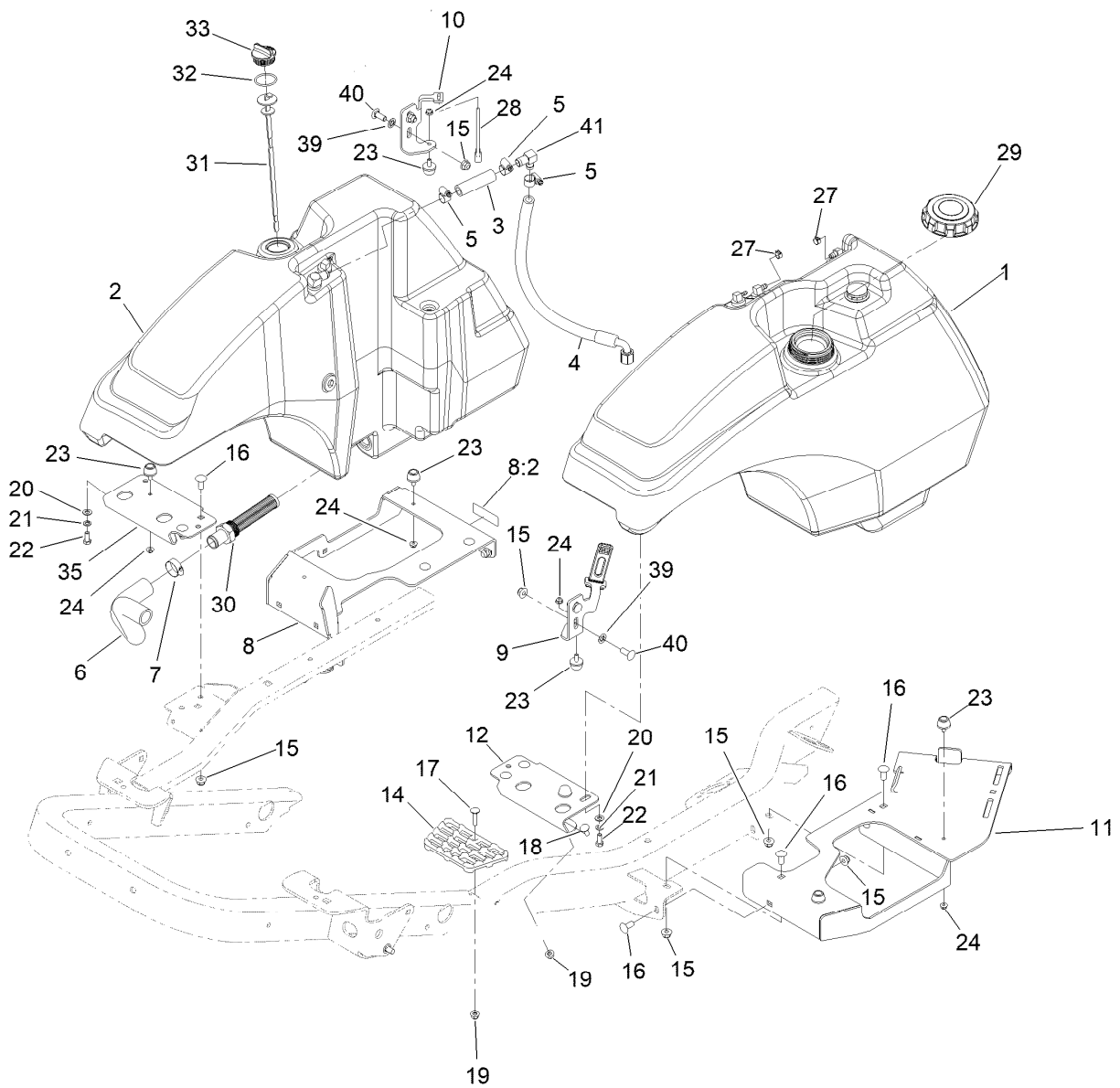
Ref.	Part Number	Qty.	Description
24:2	237-80	1	O-Ring
25	340-77	1	Fitting-Elbow, 90 DEG
25:1	237-22	1	O-Ring
25:2	237-42	1	O-Ring
26	353-989	2	Plug-Hex, Hollow
26:1	237-42	1	O-Ring

● Not illustrated



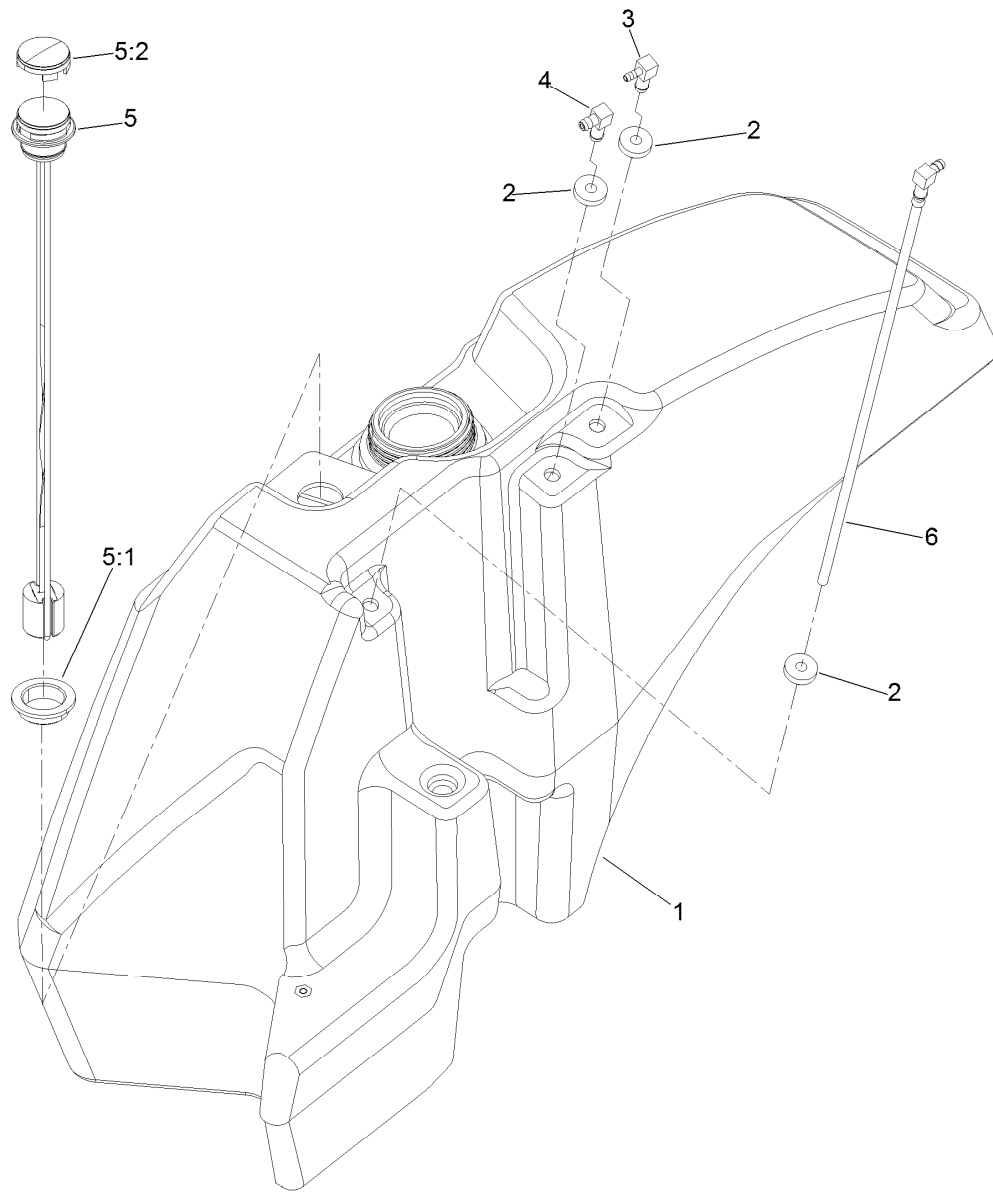
## Radiator and Cooler Assembly

<i>Ref.</i>	<i>Part Number</i>	<i>Qty.</i>	<i>Description</i>	<i>Ref.</i>	<i>Part Number</i>	<i>Qty.</i>	<i>Description</i>
1	147-0062	1	Radiator/Oil Cooler ASM	16	138-4461-0P	1	Bracket-Shroud Retainer
1:1	119-4036	4	Screw-HHF	17	139-6230	1	Bracket-Bottle Mount
1:2	3256-23	4	Washer-Plain	17:2	93-7272	1	Decal-Warning
1:3	137-3093	4	Nut-Hex	18	106-1126	1	Hose-Fuel
2	92-2379	2	Clamp-Hose	19	108-1393	1	Strip-Foam
3	139-6232	1	Shroud-Cooler ASM	21	130-8439	2	Plug-Dome
3:2	115-8155	1	Decal-Warning	22	63-9750	2	Mount
4	3234-47	2	Screw-HHF	23	130-9182	1	Foam-Radiator, Short
5	119-4041	15	Nut-HF	24	144-0472	1	Decal-Coolant Level
7	137-3061	9	Bolt-CARR	25	163-1701-03	1	Bracket-Cooler Shroud LH
8	1-807512	3	Bolt-CARR	26	163-1702-03	1	Bracket-Cooler Shroud RH
9	104-7201	3	Nut-HF, NI	27	144-3905	2	Guide-Hose
10	114-4681	2	Screw-HHF	28	140-7165	1	Bracket-Tank
11	119-4042	2	Nut-HF, NI	29	140-7185RT01	1	Tank ASM
12	138-4410	2	Seal-Foam	30	52-2861	2	Washer
13	138-4411	2	Seal-Foam	31	117-5138	1	Cap-Radiator
14	138-4453	1	Foam-Radiator	31:1	117-3276	1	Decal-Danger
15	138-4454	2	Foam-Radiator, Side				



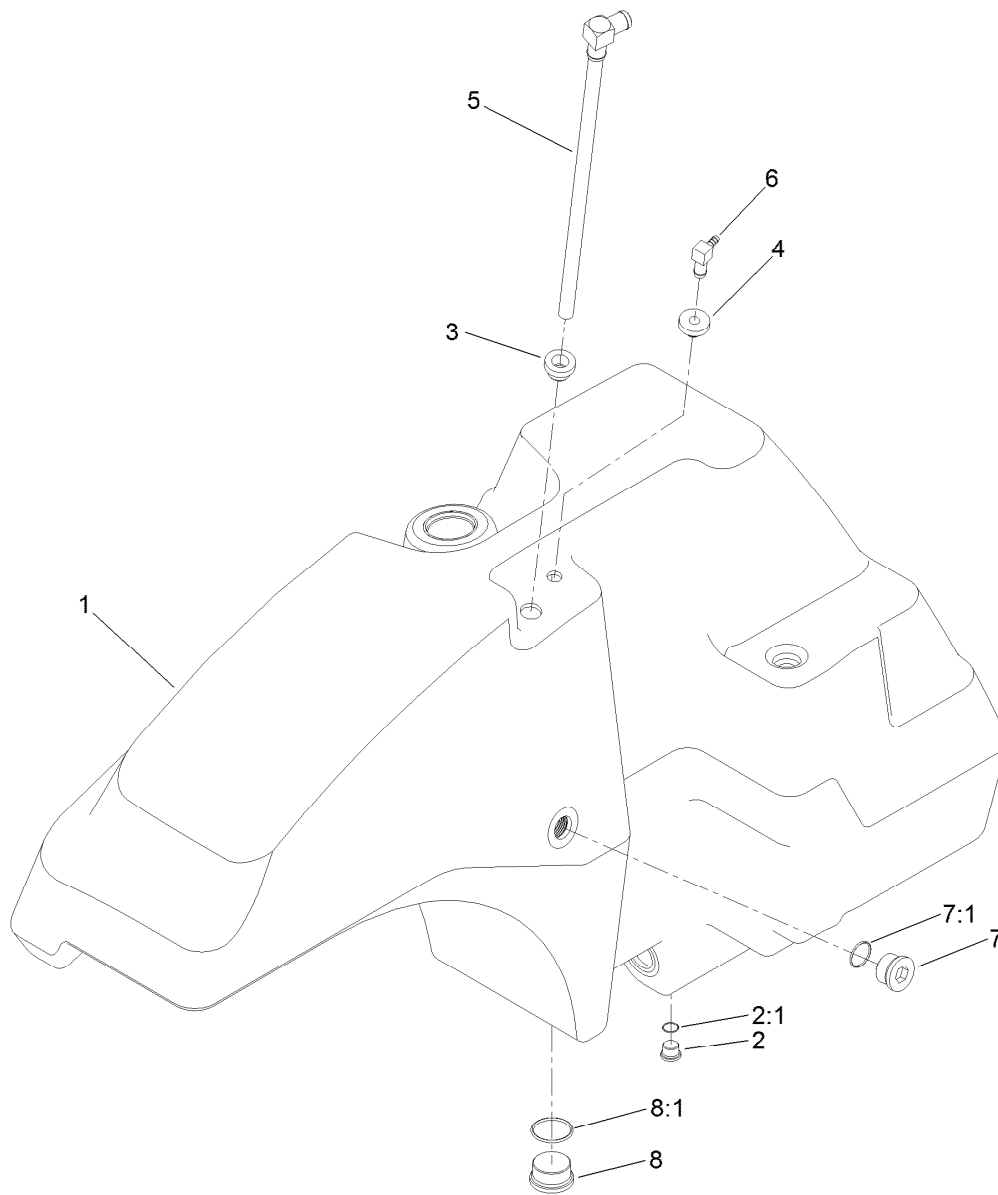
## Fuel System Assembly

Ref.	Part Number	Qty.	Description	Ref.	Part Number	Qty.	Description
1	138-0291	1	Fuel Tank	18	137-3061	2	Bolt-CARR
2	138-4418	1	Hydraulics Tank ASM	19	119-4041	3	Nut-HF
3	114-4920	1	Hose	20	3256-23	2	Washer-Plain
4	145-5933	1	Hose ASM-Hydraulic	21	3253-4	2	Washer-Lock
5	2412-119	3	Clamp-Hose	22	322-3	2	Screw-HH
6	138-7361	1	Hose-Suction	23	109-2365	8	Bumper-Rubber
7	2412-34	1	Clamp-Hose	24	104-7201	8	Nut-HF, NI
8	145-6099	1	Tank Support-Hydraulic	27	92-2379	2	Clamp-Hose
8:2	127-0392	1	Decal-Hot Surface	28	131-8402	2	Strap-Down, Hold
9	138-0441-03	1	Bracket-Tank Hold Down, LH	29	119-8266	1	Cap-Fuel (Biodiesel)
10	138-7315-03	1	Bracket-Tank Hold Down, RH	30	138-7499	1	Fitting-Strainer
11	145-6031	1	Tank And Battery Tray ASM	31	138-7388	1	Dipstick
12	138-7365-03	1	Bracket-Tank Mount, Front LH	32	94-8166	1	O-Ring
14	126-4781	1	Step-Deck	33	93-7498	1	Plug-Plastic
15	119-4042	19	Nut-HF, NI	35	139-0940-03	1	Bracket-Tank Mount, Front RH
16	3231-27	15	Screw-CARR	39	107-3154	6	Nut-Push
17	3230-3	1	Screw-CARR	40	3231-22	4	Screw-CARR
				41	117-0943	1	Fitting-Elbow



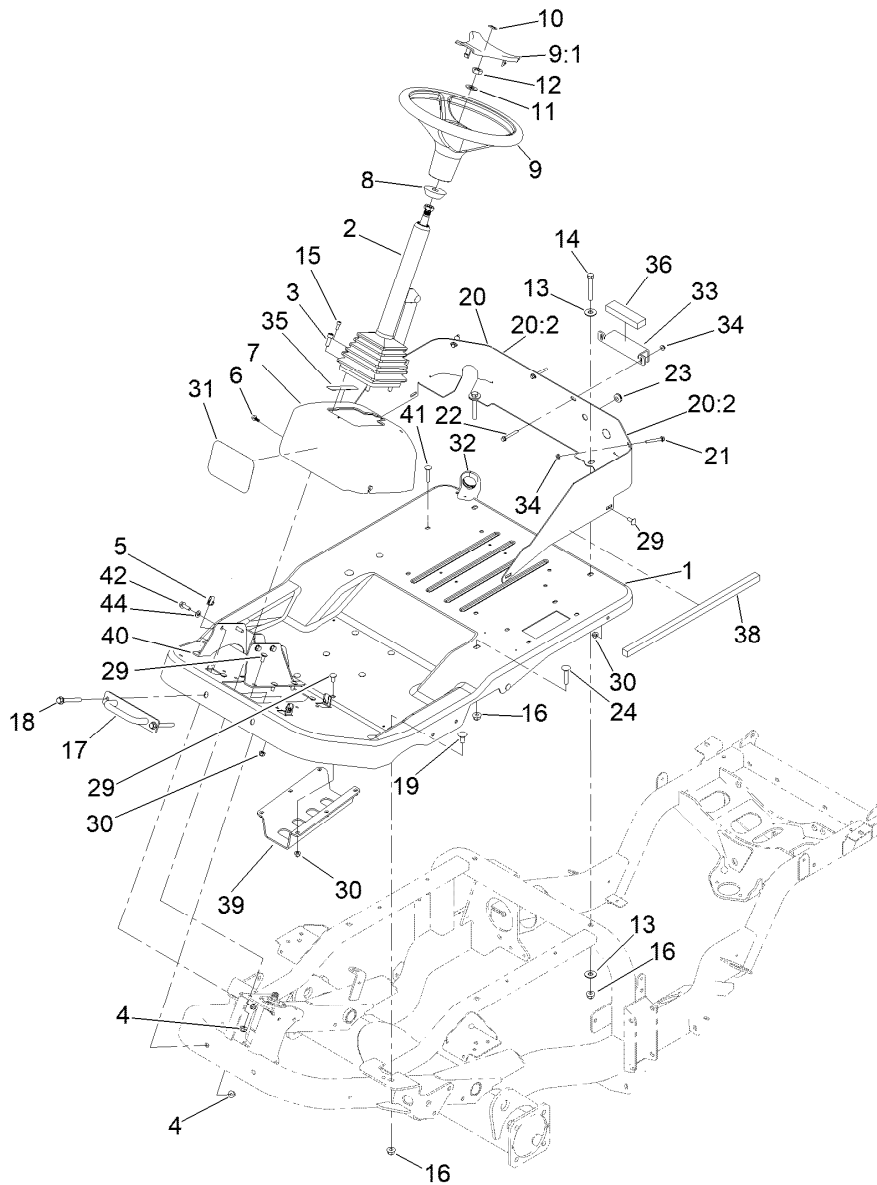
## Fuel Tank Assembly No. 138-0291

<i>Ref.</i>	<i>Part Number</i>	<i>Qty.</i>	<i>Description</i>
1	138-7385	1	Fuel Tank W/Inserts ASM
2	46-6560	3	Bushing
3	104-5228	1	Fitting-Elbow, 90 DEG
4	46-6550	1	Fitting-Elbow, 90 DEG
5	139-0872	1	Gauge-Fuel
5:1	119-0508	1	Seal
5:2	117-8404	1	Dial-Gauge
6	138-7389	1	Pipe-Stand



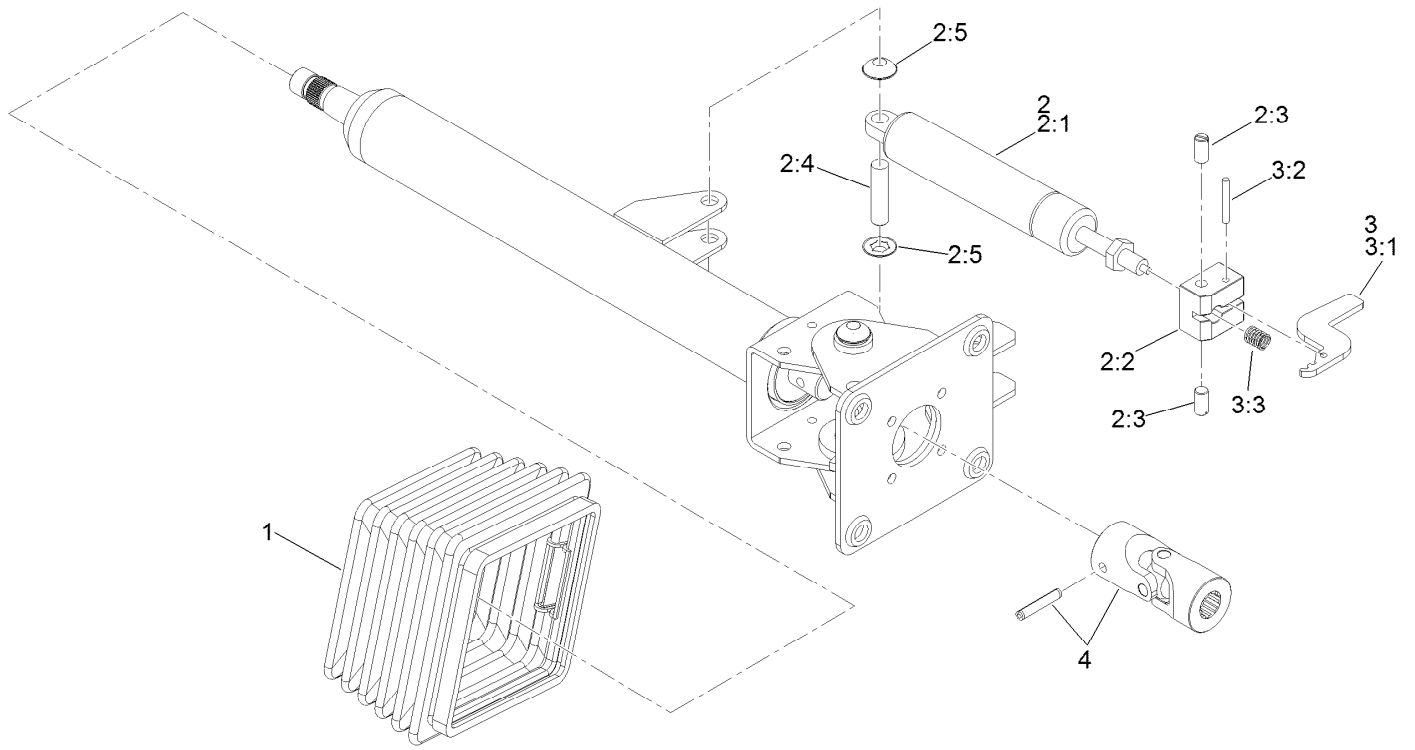
## Hydraulic Tank Assembly No. 138-4418

<i>Ref.</i>	<i>Part Number</i>	<i>Qty.</i>	<i>Description</i>
1	138-7386	1	Tank-Hydraulic W/Inserts
2	353-989	1	Plug-Hex, Hollow
2:1	237-42	1	O-Ring
3	104-0790	1	Bushing
4	46-6560	1	Bushing
5	138-7384	1	Tube-Drop
6	104-5228	1	Fitting-Elbow, 90 DEG
7	139-6333	1	Fitting-Plug
7:1	237-81	1	O-Ring
8	105-3921	1	Fitting-Plug
8:1	237-146	1	O-Ring



## Platform, Steering and Console Assembly

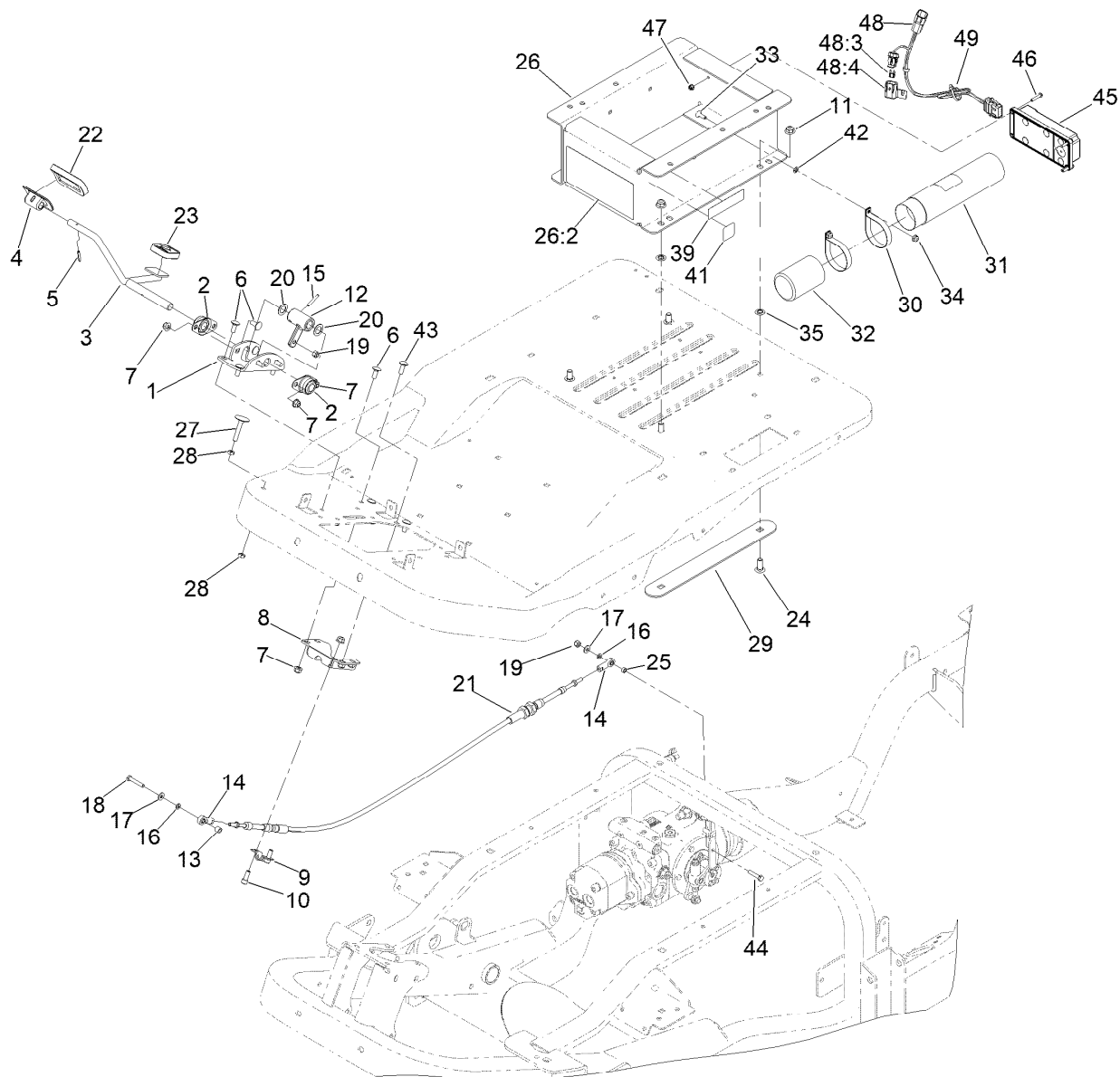
Ref.	Part Number	Qty.	Description	Ref.	Part Number	Qty.	Description
1	144-4030SP	1	Platform-Stamped	20	144-0528	1	Plate-Firewall, Lower
2	139-0857	1	Column-Steering, Tilt	20:2	132-1316	2	Decal-Danger, Belt
3	3274-7	4	Screw-HSH	21	125-4287	2	Screw-HHF
4	119-4042	6	Nut-HF, NI	22	3234-34	2	Screw-HHF
5	107069	4	Clip	23	1-633630	1	Grommet
6	99-6810	4	Screw-HHF	24	3232-5	2	Screw-CARR
7	138-7494	1	Cover-Steering	29	137-3061	15	Bolt-CARR
8	93-5429	1	Collar-Foam	30	119-4041	21	Nut-HF
9	98-1471	1	Wheel-Steering	31	105-1217	1	Decal
9:1	98-1468	1	Cover-Wheel, Steering	32	144-0473	1	Plug-Harness, Firewall
10	98-1459	1	Decal	33	139-2166-0P	1	Bracket-Hood Support
11	3256-27	1	Washer-Flat	34	104-7201	4	Nut-HF, NI
12	3296-33	1	Nut-Lock, NI	35	140-1460	1	Decal-Traction Pedal
13	3256-40	4	Washer-Flat	36	139-6202	1	Foam-Strip
14	324-12	2	Screw-HH	38	139-6207	1	Foam-Strip
15	105-2409	4	Screw-HSH	39	144-3954-03	1	Guard-Tubes, Hydraulic
16	114-8417	6	Nut-HF, NI	40	145-5983-0P	1	Bracket-Mount, Steering
17	138-0288	1	Bracket-Down, Tie	41	116-0629	2	Screw-CARR
18	3234-41	2	Screw-HHF	42	3234-29	4	Screw-HHF
19	3232-1	2	Screw-CARR	44	3256-38	4	Washer-Flat



## Steering Column Assembly No. 139-0857

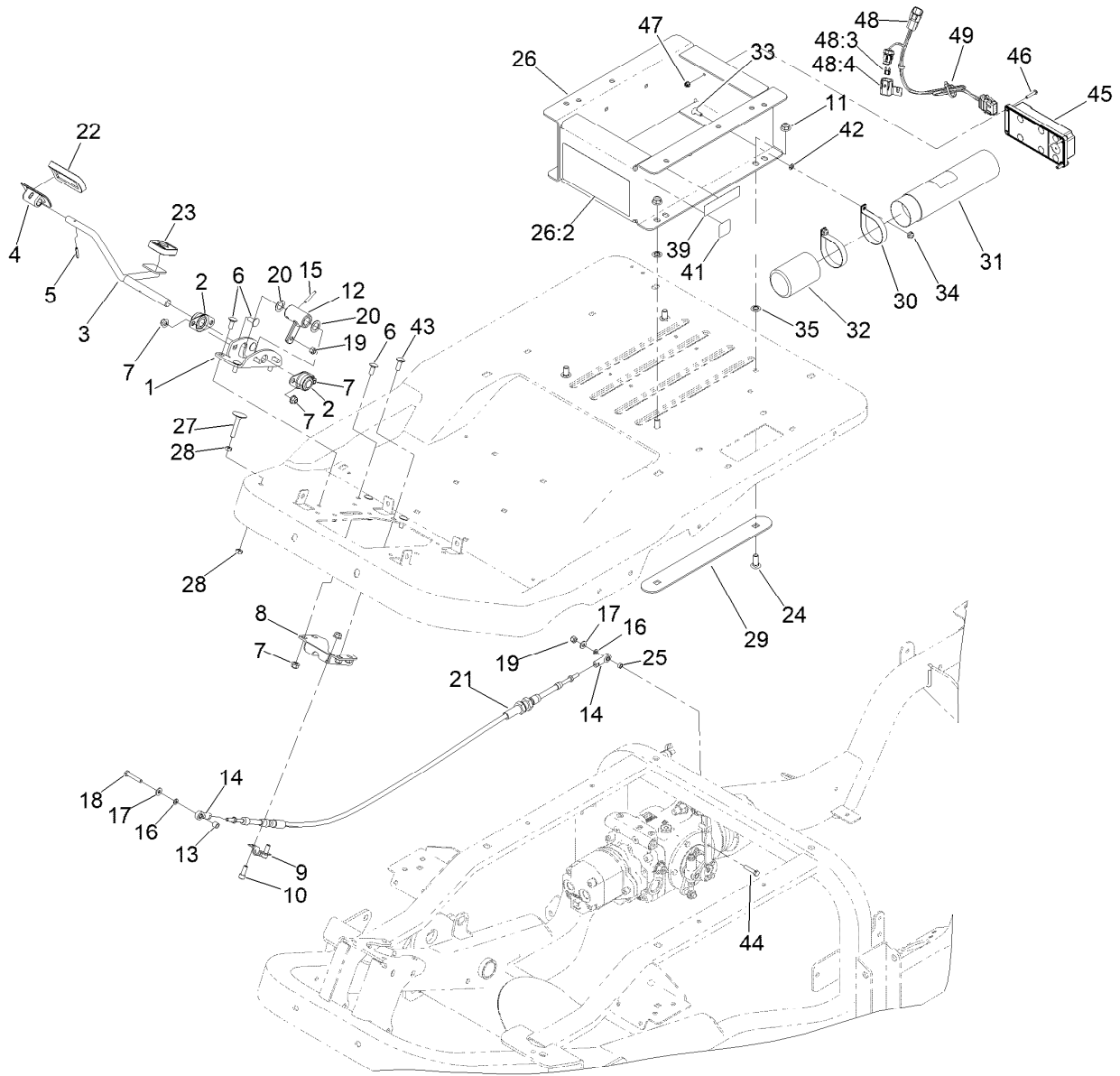
Ref.	Part Number	Qty.	Description
1	110-6462	1	Bellows-Rubber
2	110-6463	1	Cylinder Service Kit
2:1		1	Cylinder-Gas ●
2:2		1	Block-Pedal ●
2:3		2	Bolt ●
2:4		1	Pin ●
2:5		2	Washer-Lock ●
3	136-4385	1	Pedal Service Kit
3:1		1	Pedal ●
3:2		1	Pin ●
3:3		1	Spring ●
4	120-6256	1	Universal Joint Kit

● Not serviced separately



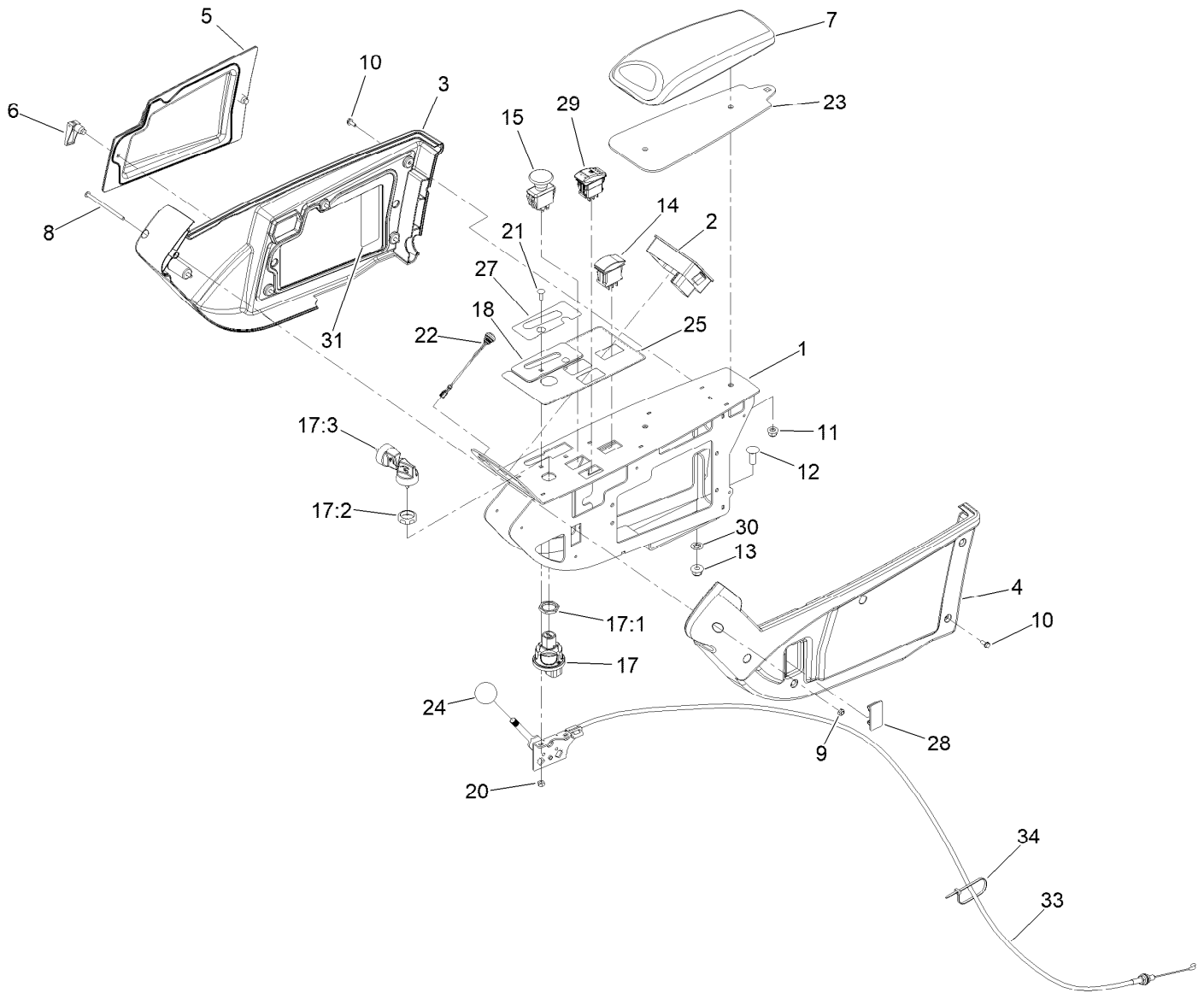
## Pedal Assembly

Ref.	Part Number	Qty.	Description	Ref.	Part Number	Qty.	Description
1	138-7477-01	1	Bracket-Pedal, Traction	22	74-9100	1	Pad-Pedal, Forward
2	256-236	2	Bearing-Mount, Flange	23	74-9110	1	Pad-Pedal, Reverse
3	138-4594	1	Pedal-Traction	24	3231-22	4	Screw-CARR
4	117-9507	1	Pedal-Accelerator	25	130-9691	1	Spacer
5	32121-45	1	Pin-Spring	26	139-6221	1	Seat Box ASM
6	137-3061	11	Bolt-CARR	26:2	163-1839	1	Decal-Warning
7	119-4041	14	Nut-HF	27	115-8240	1	Screw-Elevator
8	138-7446-01	1	Bracket-Cable, Traction	28	3218-2	2	Nut-Hex Jam
9	93-2092	1	Clamp-Cable	29	138-7422-0P	2	Strip-Seat Mount
10	3274-10	2	Screw-HSH	30	107-1865	2	R-Clamp
11	119-4042	4	Nut-HF, NI	31	104-7050	1	Tube-Manual
12	117-5199	1	Hub-Pedal, Traction	32	104-7048	1	Cap-Housing
13	66-8010	1	Spacer	33	1-807512	2	Bolt-CARR
14	2411-41	2	Rod End-Ball Joint	34	104-7201	2	Nut-HF, NI
15	32121-6	1	Pin-Roll, Slotted	35	107-3154	4	Nut-Push
16	33093-00	2	Washer-Flat	39	133-8062	1	Decal-Spark Arrestor
17	3256-22	2	Washer-Flat	41	144-0512	1	Decal-Sound, Db109
18	321-9	1	Screw-HH	42	32115-15	2	Nut-Push
19	3296-42	2	Nut-Lock, NI	43	3230-10	1	Bolt-CARR
20	137-2601	2	Washer	44	321-8	1	Screw-HH
21	145-6040	1	Cable-ASM, Traction	45	161-9001	1	Gateway-Telematics



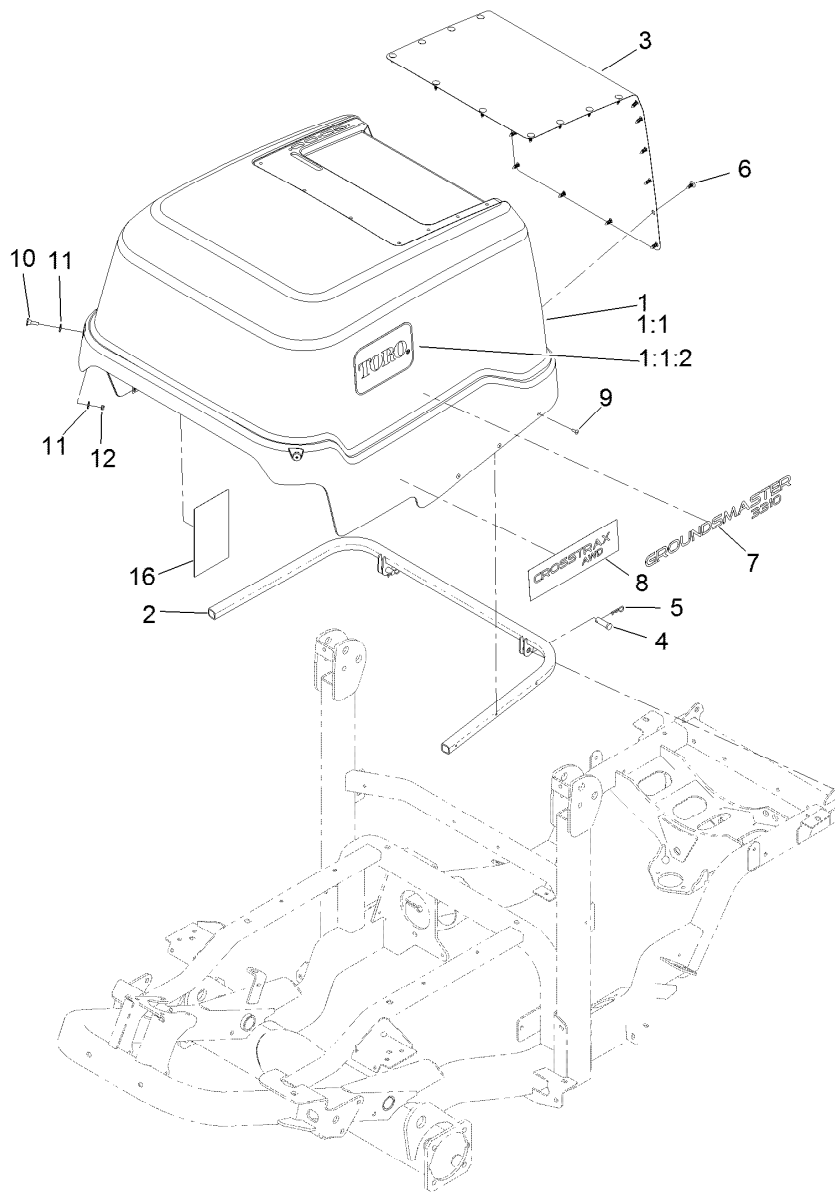
## Pedal Assembly (continued)

<i>Ref.</i>	<i>Part Number</i>	<i>Qty.</i>	<i>Description</i>	<i>Ref.</i>	<i>Part Number</i>	<i>Qty.</i>	<i>Description</i>
46	131-6456	4	Screw-HWH	48:3	121-8861	1	Fuse-Mini Blade, 2 Amp
47	120-4578	4	Nut-HF	48:4	32180-101	1	Cover-Fuse, Single
48	122-2160	1	Harness-Wire	49	3290-378	1	Tie-Cable



## Control Console Assembly

<i>Ref.</i>	<i>Part Number</i>	<i>Qty.</i>	<i>Description</i>	<i>Ref.</i>	<i>Part Number</i>	<i>Qty.</i>	<i>Description</i>
1	133-6406-03	1	Panel	17:2	122-2704	1	Nut-Face, M22 (Plastic)
2	132-9751	1	Tdm 2001	17:3	121-5162	1	Set-Key, Ignition
3	108-7605	1	Cover-RH	18	137-2510	1	Cover-Throttle, Lever
4	108-7604	1	Cover-LH	20	3296-2	2	Nut-Lock, NI
5	108-7616	1	Panel-Access	21	1-807533	2	Bolt-CARR
6	74-5950	2	Latch-Swell	22	136-9678	1	Cable Assy-Pushbutton
7	131-9637	1	Armrest-Quick Find	23	138-4548-03	1	Plate-Spacer, Console Pad
8	3250-22	1	Screw-PPH	24	1-603175	1	Knob-Ball
9	3296-12	1	Nut-Lock, NI	25	138-7471	1	Decal-Console
10	32144-112	10	Screw-HWH	27	138-7473	1	Decal-Throttle
11	119-4041	2	Nut-HF	28	99-7420	1	Plug-Hole
12	3231-22	2	Screw-CARR	29	110-0811	1	Switch-Rocker On-None-(On)
13	119-4042	2	Nut-HF, NI	30	107-3154	2	Nut-Push
14	100-1535	1	Switch-Rocker, (On)-Off-(On)	31	140-3125	1	Decal-Fuse
15	93-9999	1	Switch-PTO	33	139-6266	1	Cable-Throttle
17	121-5159	1	Switch-Ignition	34	103-2446	1	Tie-Cable
17:1	121-5160	1	Nut-Hex				

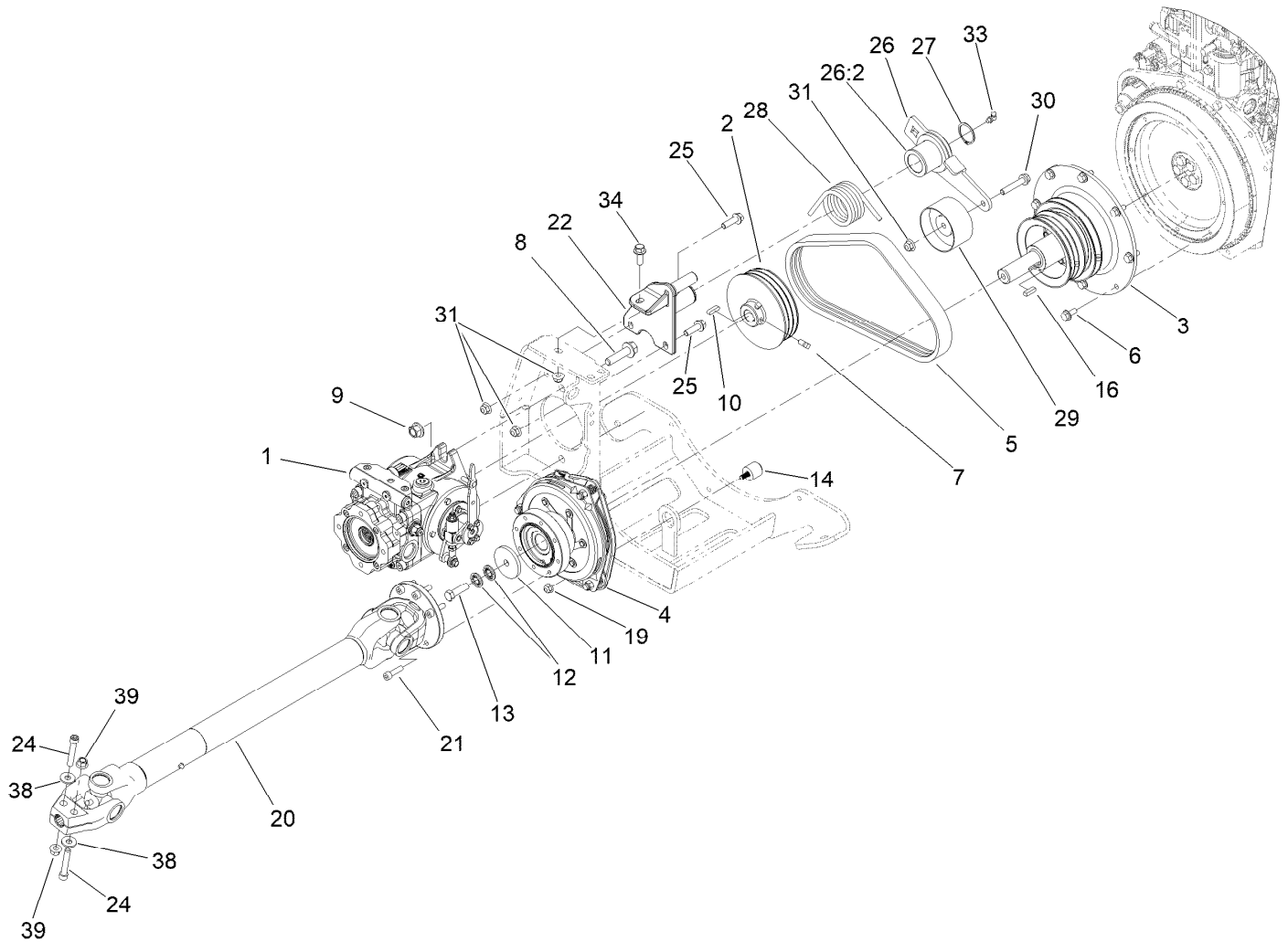


## Hood Assembly

Ref.	Part Number	Qty.	Description	Ref.	Part Number	Qty.	Description
1	138-7330SP	1	Hood	6	117-2382	24	Plug-Plastic
1:1		1	Hood ASM ■	7	139-6153	2	Decal-Identification
1:1:2	62-7400	2	Decal-Toro Logo	8	110-8859	2	Decal
1:2	139-6225	1	Tape-Heat, Hood Front ●	9	114439	10	Rivet-Blind
1:3	139-6226	1	Tape-Heat, Hood Rear ●	10	139-0855	2	Screw-Countersunk, Oval
1:4	139-6227	1	Tape-Heat, Hood Side ●	11	3256-2	4	Washer-Flat
2	138-7331-03	1	Support-Hood	12	3296-56	2	Nut-Lock, NI
3	138-7474-03	1	Screen-Cooler	16	144-3950	1	Decal-Service, Gm 3300/3310 Row
4	283-68	2	Pin-Clevis				
5	3290-467	2	Pin-Hair				

● Not illustrated

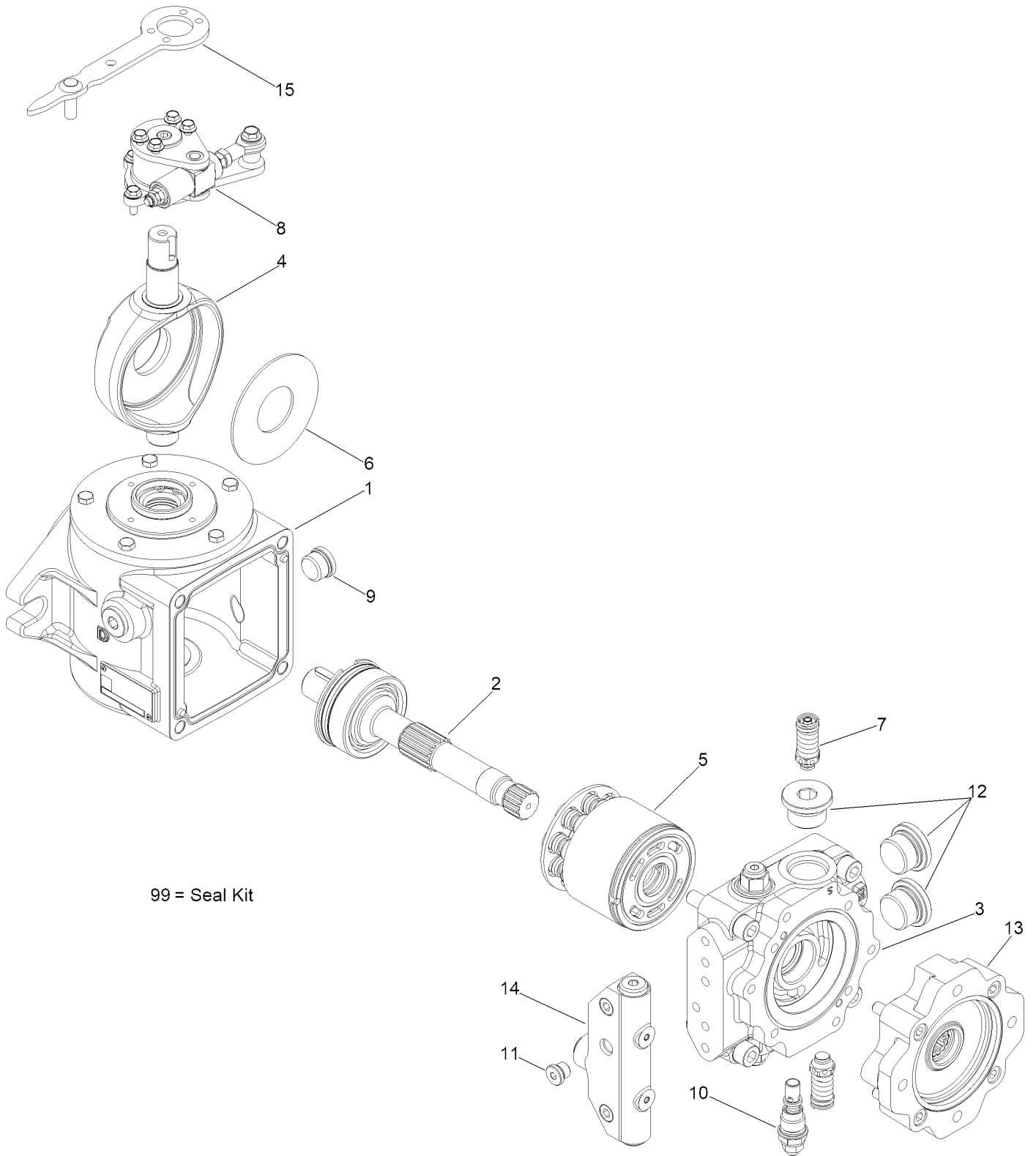
■ Not serviced separately



## Pump, Driveshaft and Clutch Assembly

Ref.	Part Number	Qty.	Description	Ref.	Part Number	Qty.	Description
1	145-5940	1	Pump-Bondioli	20	163-1700SP	1	Driveshaft
2	145-6044	1	Pulley-3/3V	21	144-0452	6	Screw-HSH, Patch
3	147-0050	1	Stubshaft-3/3V	22	140-6200	1	Idler Pivot (Mach)
4	145-5987	1	Clutch-Gt5 W/Integral Con	24	131-8591	2	Screw-HSH
5	139-6259	1	Belt-3/3V	25	119-4061	2	Screw-HHF
6	138-0690	8	Screw-HHF,Patch	26	140-6179	1	Idler Arm ASM
7	1-803022	2	Screw-Set	26:2	93-4510	2	Bushing-Caster
8	133-0041	2	Screw-HF	27	32120-84	1	Ring-Snap, External
9	139-1689	2	Nut-HF	28	140-3102	1	Spring-Torsion
10	94-3645	1	Key	29	144-3904	1	Pulley-Tensioner
11	139-6238	1	Washer	30	108-3742	1	Screw-HHF
12	1-603610	2	Washer-Spring	31	119-4042	4	Nut-HF, NI
13	109-9761	1	Screw-HH	33	302-40	1	Fitting-Grease, 90 DEG
14	147-0060	1	Bumper	34	3234-42	1	Screw-HHF
16	10-7070	1	Key-Square	38	80-6990	2	Washer-Hardened
19	119-4041	2	Nut-HF	39	32128-36	2	Nut-HF

# Pump Assembly No. 145-5940

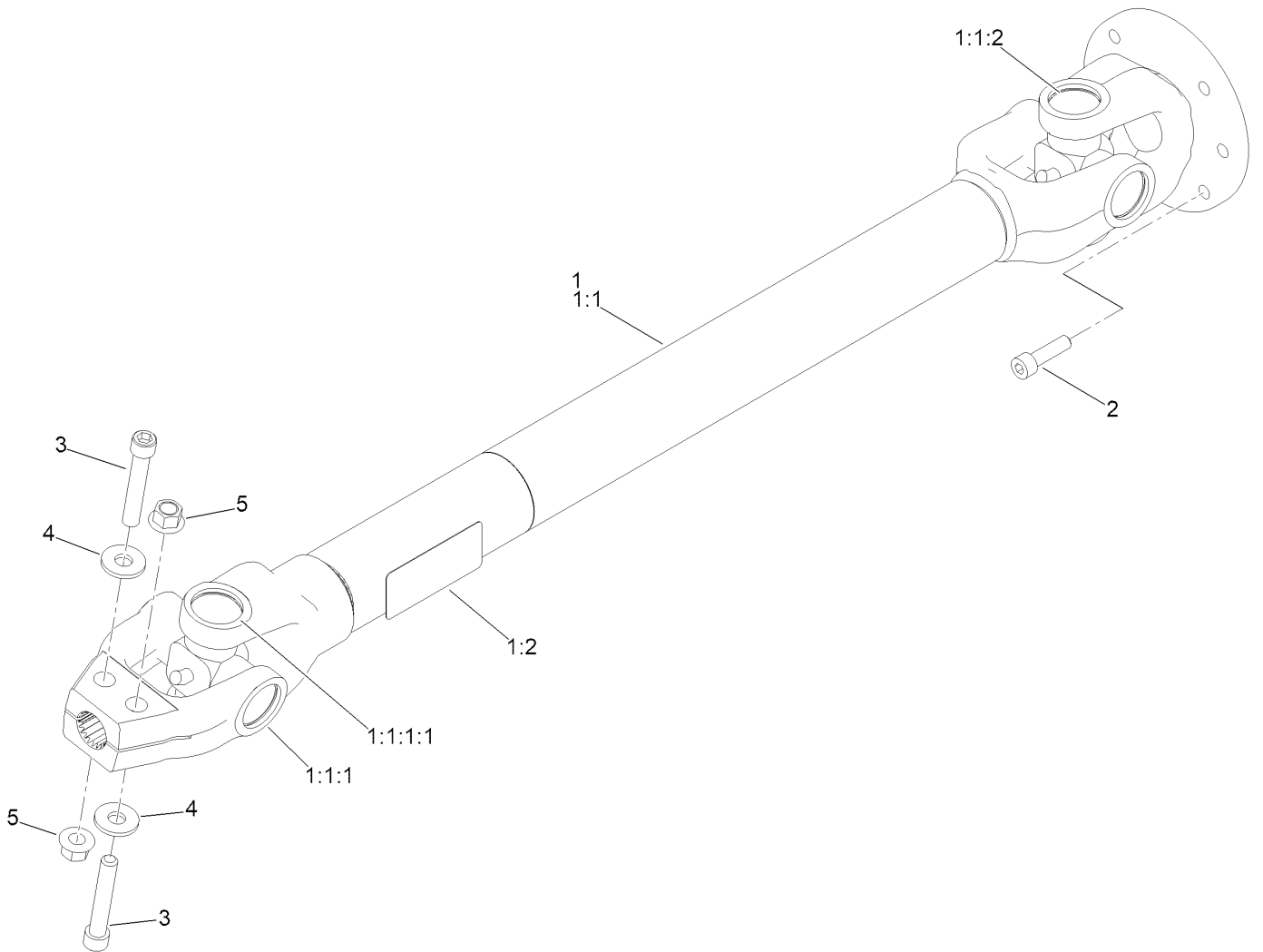


## Pump Assembly No. 145-5940 (continued)

<i>Ref.</i>	<i>Part Number</i>	<i>Qty.</i>	<i>Description</i>
1	147-0161	1	Housing-Pump
2	147-0162	1	Shaft ASM
3	147-0163	1	Valve Body
4	147-0164	1	Plate-Swash
5	147-0165	1	Rotating ASM
6	147-0166	1	Plate-Swash, Insert
7	147-0167	1	Valve, 250 Bar
8	147-0168	1	Spring Return ASM

<i>Ref.</i>	<i>Part Number</i>	<i>Qty.</i>	<i>Description</i>
9	147-0169	1	Cap-Seal
10	147-0170	1	Valve-Relief 10-15 Bar
11	147-0171	1	Plug, 7/16-20 Unf
12	147-0172	1	Plug, 1-1/16-12 Unf
13	147-0173	1	Endcap-Pump
14	147-0174	1	Exchange Valve ASM
15	147-0175	1	Lever-Control
99	147-0176	1	Seal Kit

# Driveshaft Assembly No. 163-1700SP

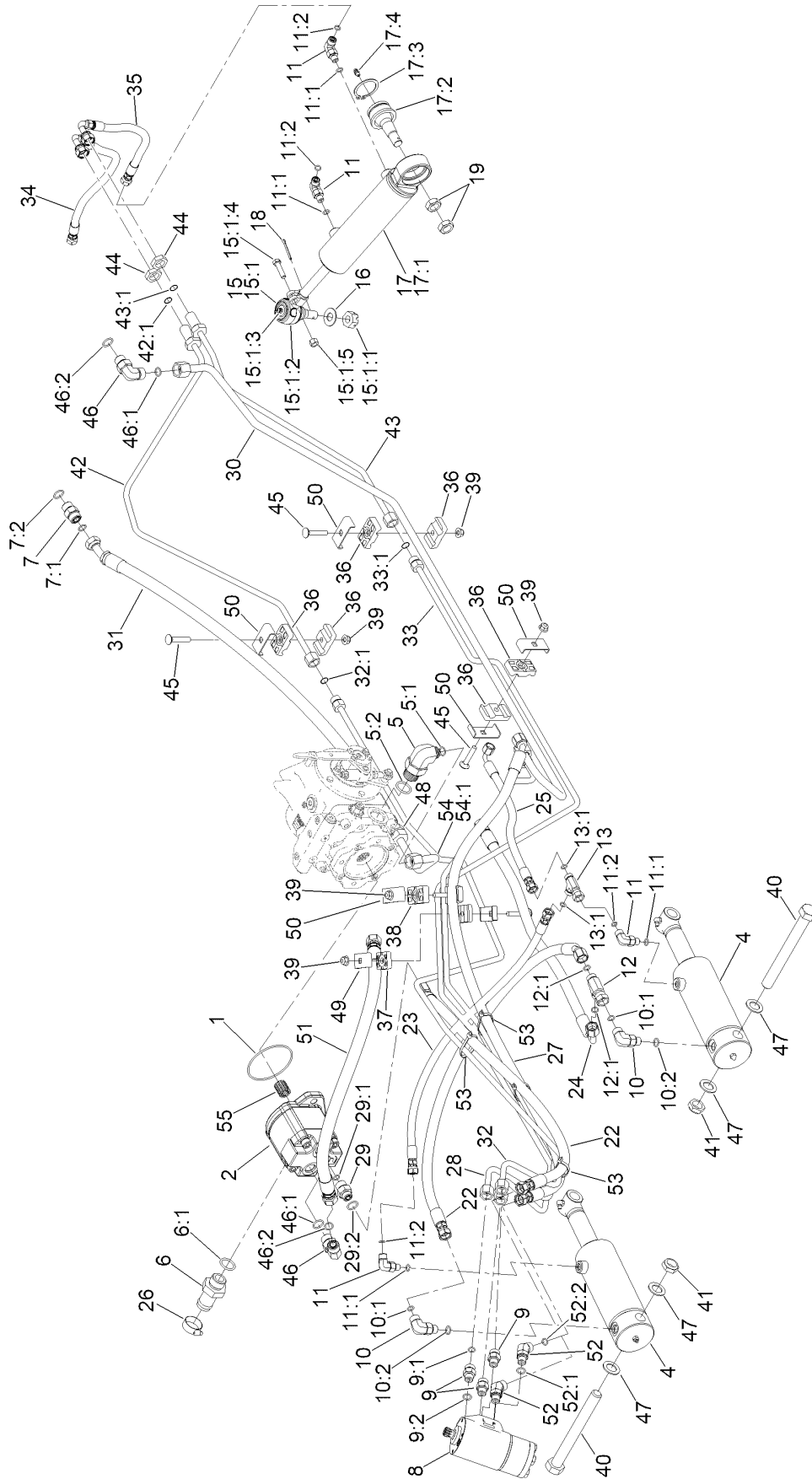


# Driveshaft Assembly No. 163-1700SP (continued)

<i>Ref.</i>	<i>Part Number</i>	<i>Qty.</i>	<i>Description</i>	<i>Ref.</i>	<i>Part Number</i>	<i>Qty.</i>	<i>Description</i>
1		1	Driveshaft ASM ●	2	144-0452	6	Screw-HSH, Patch
1:1		1	Shaft-Drive ●	3	131-8591	2	Screw-HSH
1:1:1	144-0519	1	Yoke-Splined W/Cross Joint	4	80-6990	2	Washer-Hardened
1:1:1:1	144-0550	1	Bearing-Cross Joint	5	32128-36	2	Nut-HF
1:1:2	144-0550	1	Bearing-Cross Joint				
1:2	139-6304	1	Decal-Danger, Entanglement				

● Not serviced separately

# Hydraulic Assembly

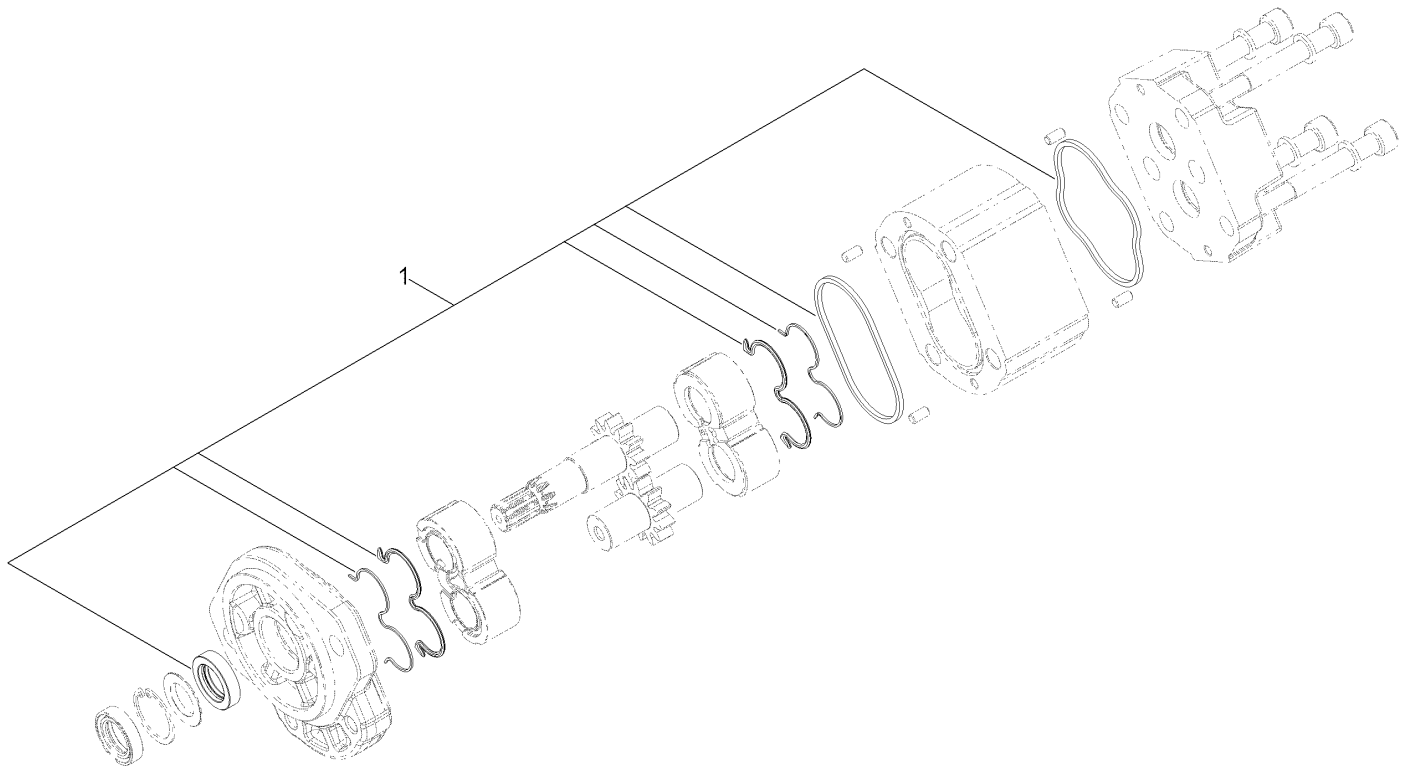


## Hydraulic Assembly (continued)

<i>Ref.</i>	<i>Part Number</i>	<i>Qty.</i>	<i>Description</i>	<i>Ref.</i>	<i>Part Number</i>	<i>Qty.</i>	<i>Description</i>
1	237-161	1	O-Ring	24	137-5846	1	Hose ASM
2	147-5115	1	Pump-Gear	25	137-5847	1	Hose ASM
4	139-0854	2	Cylinder-Hydraulic	26	2412-34	1	Clamp-Hose
5	340-131	1	Fitting-HYD, 90 DEG	27	140-3097	1	Hose ASM
5:1	237-30	1	O-Ring	28	138-0331	1	Hydraulic Tube ASM
5:2	237-81	1	O-Ring	29	340-3	1	Fitting-Straight
6	99-3017	1	Fitting	29:1	237-22	1	O-Ring
6:1	237-81	1	O-Ring	29:2	237-79	1	O-Ring
7	340-4	1	Fitting-Straight	30	138-7448	1	Hydraulic Tube ASM
7:1	237-30	1	O-Ring	31	145-5934	1	Hose ASM-Hydraulic
7:2	237-79	1	O-Ring	32	145-5959	1	Hydraulic Tube ASM
8	114-8119	1	Steering Valve ASM	32:1	237-22	1	O-Ring
9	340-2	3	Fitting-Straight	33	145-5930	1	Hydraulic Tube ASM
9:1	237-22	1	O-Ring	33:1	237-22	1	O-Ring
9:2	237-42	1	O-Ring	34	115-0383	1	Hose ASM
10	340-77	2	Fitting-Elbow, 90 DEG	35	137-2584	1	Hose ASM
10:1	237-22	1	O-Ring	36	56-7972	6	Clamp-Tube
10:2	237-42	1	O-Ring	37	56-7973	2	Clamp-Tube
11	340-132	4	Fitting-Elbow, 90 DEG	38	56-7970	2	Clamp-Tube
11:1	237-78	1	O-Ring	39	119-4041	5	Nut-HF
11:2	237-21	1	O-Ring	40	328-23	2	Screw-HH
12	340-115	1	Fitting-Tee	41	HDW02059	2	Nut-Hex
12:1	237-22	2	O-Ring	42	138-0343	1	Hydraulic Tube ASM
13	340-151	1	Fitting-Tee	42:1	237-22	1	O-Ring
13:1	237-21	2	O-Ring	43	138-0344	1	Hydraulic Tube ASM
15	106-6895-03	1	Ball Joint ASM	43:1	237-22	1	O-Ring
15:1		1	Joint-Ball ●	44	340-70	2	Nut-Lock
15:1:1	32136-13	1	Nut-SHH	45	3230-5	5	Bolt-CARR
15:1:2	106-6896	1	Seal	46	340-98	2	Fitting-Elbow, 90 DEG
15:1:3	302-5	1	Fitting-Grease	46:1	237-79	1	O-Ring
15:1:4	3210-7	1	Screw-HH	46:2	237-30	1	O-Ring
15:1:5	32152-5	1	Nut-Hex	47	126-7888	4	Washer-Nylon
16	69-8980	1	Washer	48	340-127	1	Nut-Bulkhead
17		1	Steering Cylinder ASM ●	49	119-1418	2	Plate-Clamp, Short
17:1	139-6277	1	Steering Cylinder	50	119-1419	6	Plate-Clamp
17:2	106-6774	1	Joint-Ball	51	145-5931	1	Hose ASM-Hydraulic
17:3	32151-104	1	Ring-Retaining, External	52	340-87	2	Fitting-Elbow, 45 DEG
17:4	302-5	1	Fitting-Grease	52:1	237-22	1	O-Ring
18	3272-12	1	Pin-Cotter	52:2	237-42	1	O-Ring
19	3220-6	2	Nut-Jam	53	3290-378	4	Tie-Cable
22	137-5844	2	Hose ASM	54	145-5945	1	Hydraulic Tube ASM
22	137-5844RT03	1	Hose ASM	54:1	237-30	1	O-Ring
23	137-5845	1	Hose ASM	55	147-0196	1	Coupler-Pump, Bondioli

● Not serviced separately

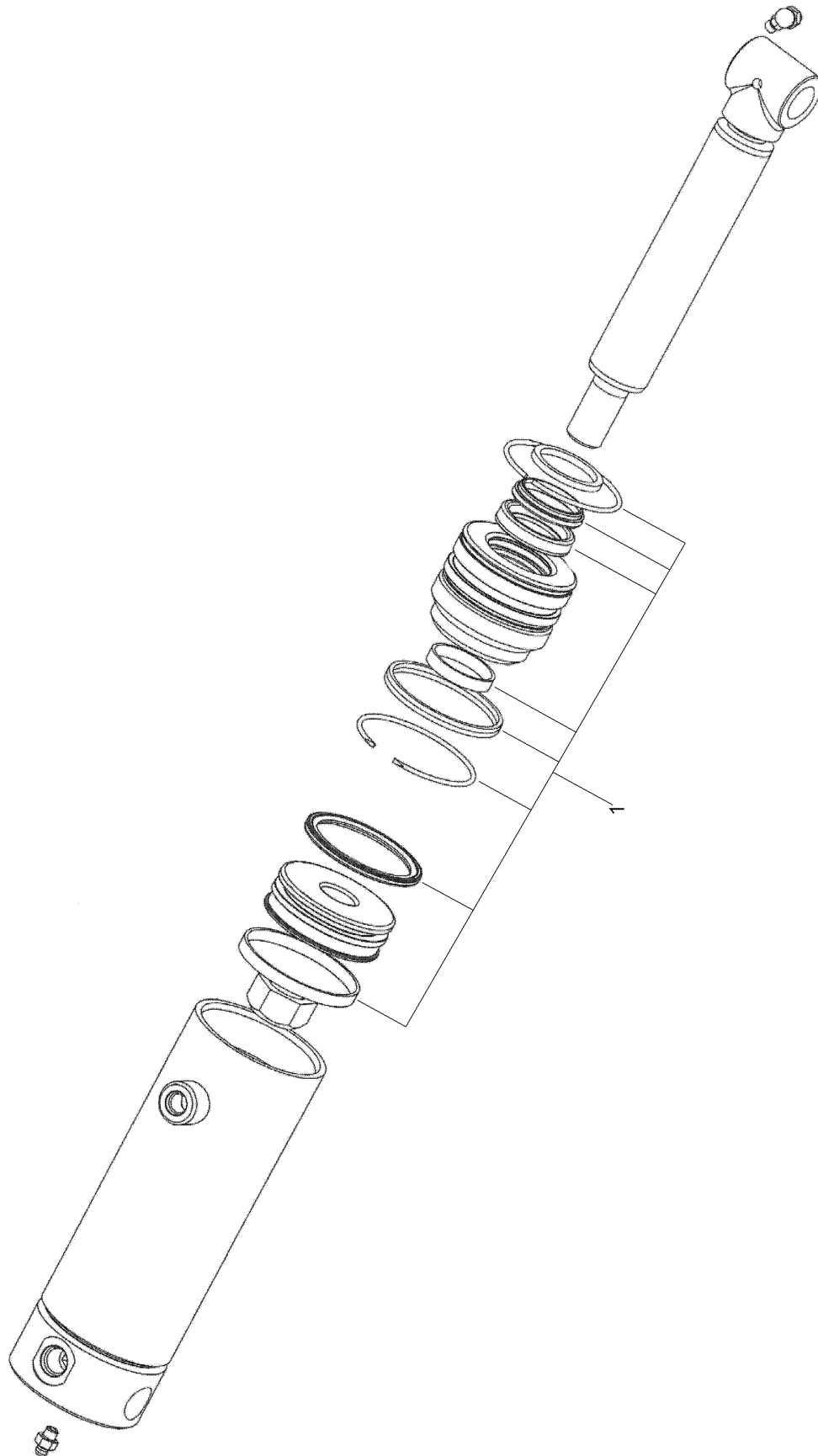
# Gear Pump Assembly No. 147-5115



# Gear Pump Assembly No. 147-5115 (continued)

<i>Ref.</i>	<i>Part Number</i>	<i>Qty.</i>	<i>Description</i>
1	145-2794	1	Seal Kit

# Hydraulic Cylinder No. 139-0854

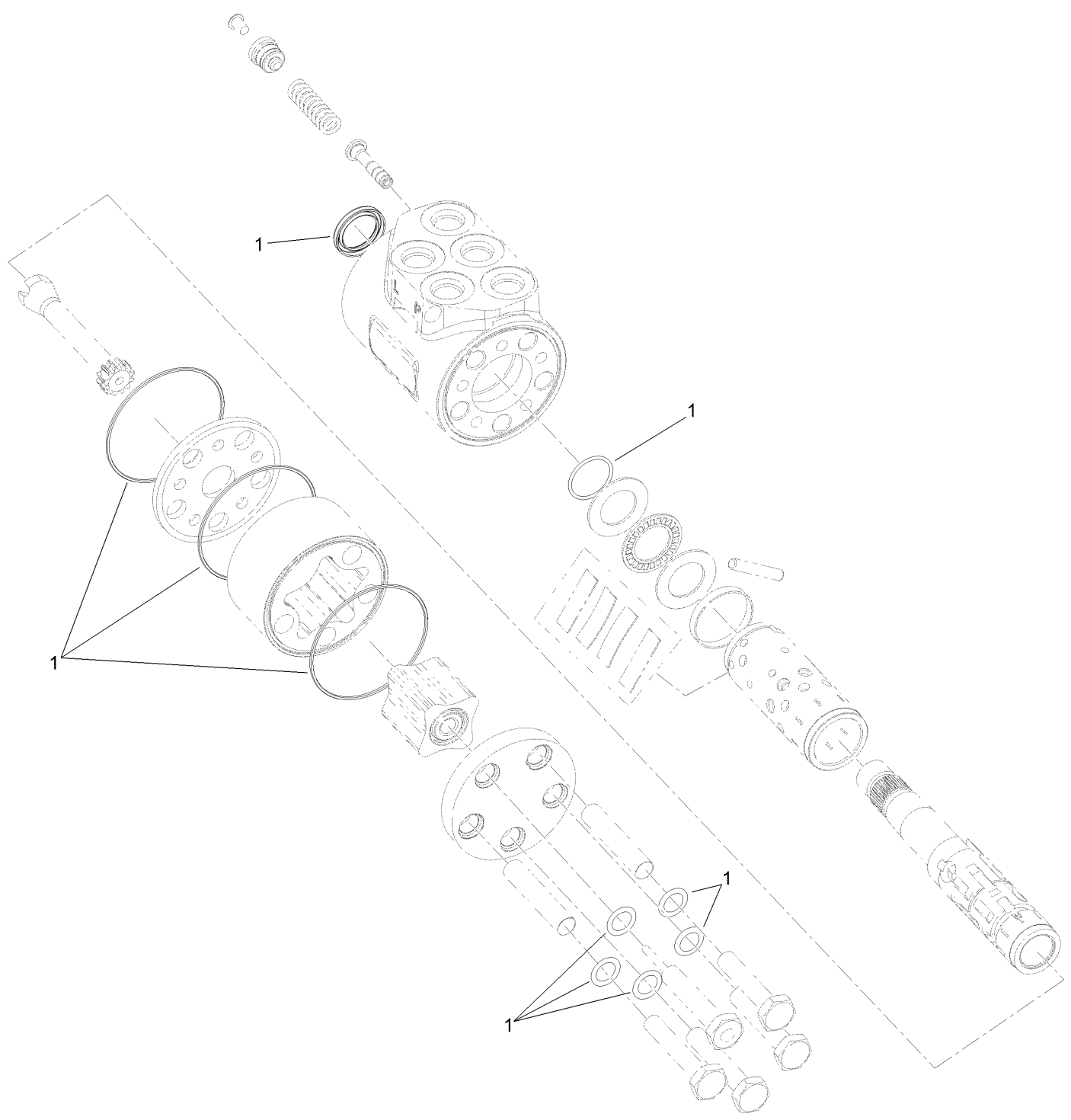


# Hydraulic Cylinder No. 139-0854 (continued)

<i>Ref.</i>	<i>Part Number</i>	<i>Qty.</i>	<i>Description</i>
1	140-3110	1	Kit-Seal ●

● Not illustrated

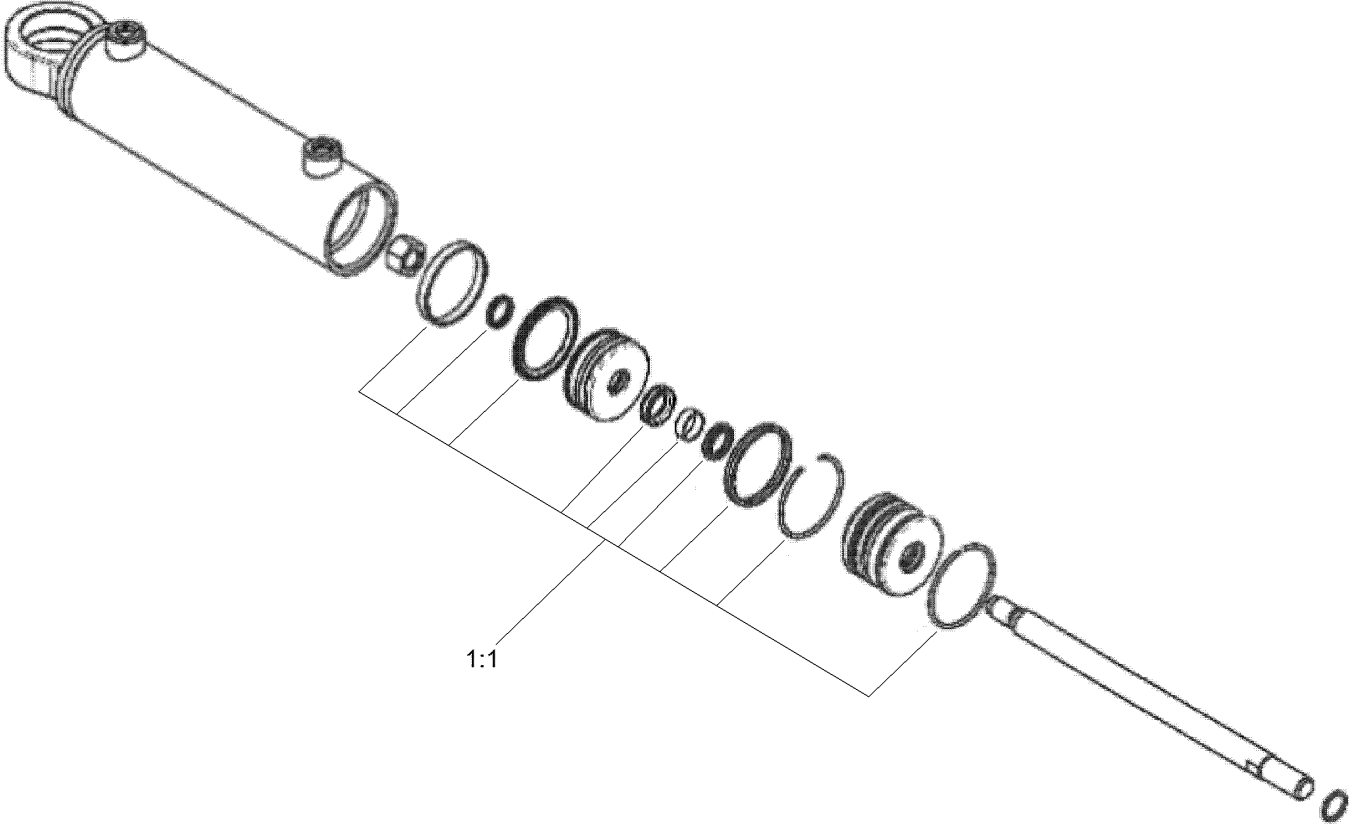
# Steering Valve Assembly No. 114-8119



# Steering Valve Assembly No. 114-8119 (continued)

<i>Ref.</i>	<i>Part Number</i>	<i>Qty.</i>	<i>Description</i>
1	106-6716	1	Seal Kit

# Steering Cylinder Assembly No. 139-6277

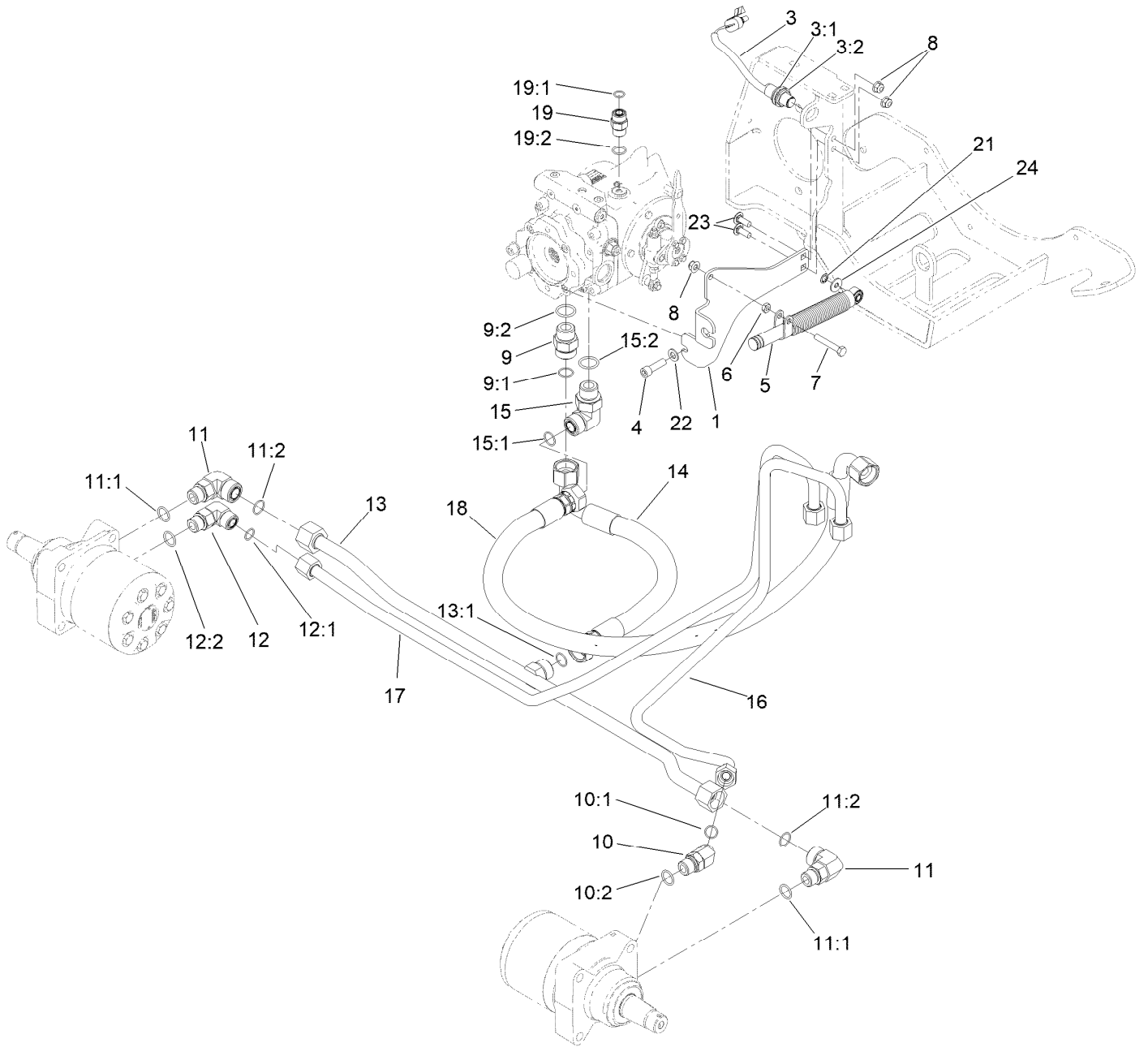


# Steering Cylinder Assembly No. 139-6277 (continued)

<i>Ref.</i>	<i>Part Number</i>	<i>Qty.</i>	<i>Description</i>
1:1	131-7756	1	Cylinder Seal Kit ●

● Not illustrated

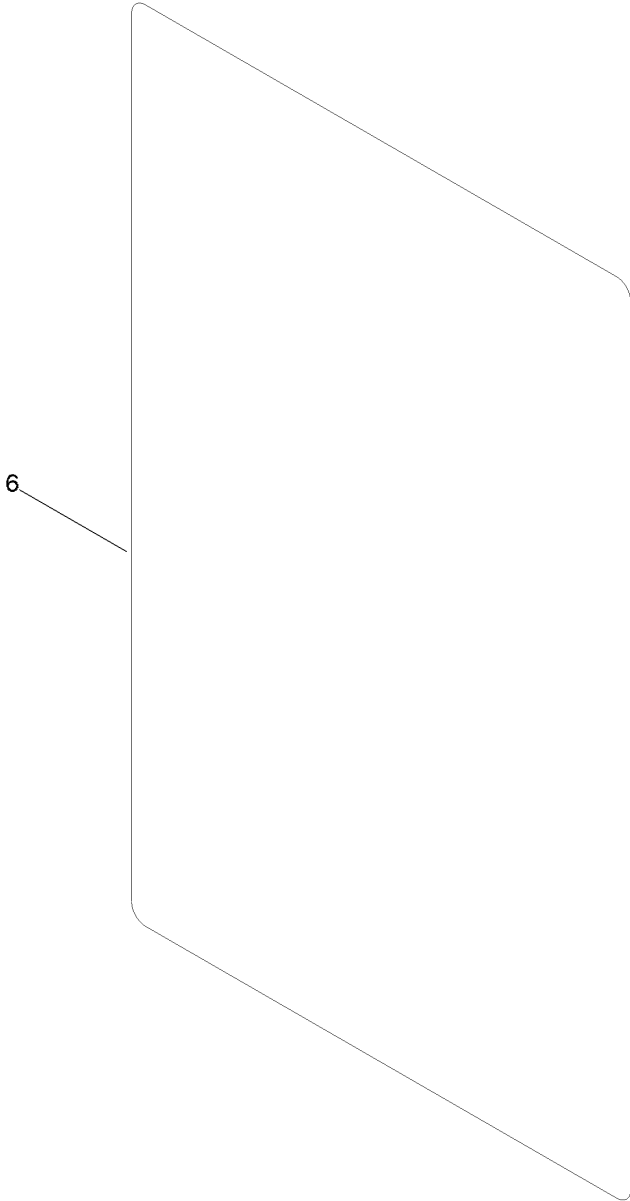
# Hydraulic Traction Assembly



## Hydraulic Traction Assembly (continued)

<i>Ref.</i>	<i>Part Number</i>	<i>Qty.</i>	<i>Description</i>	<i>Ref.</i>	<i>Part Number</i>	<i>Qty.</i>	<i>Description</i>
1	145-6065-0P	1	Plate-Cable Mount	12:1	237-65	1	O-Ring
3	115-5300	1	Sensor, Proximity Sensor ASM	12:2	237-80	1	O-Ring
3:1	117-3207	2	Nut-Hex	13	138-0340	1	Hydraulic Tube ASM
3:2	117-3208	2	Washer-Lock, Internal Tooth	13:1	237-58	1	O-Ring
4	ST80801	2	Screw-HSH	14	145-5928	1	Hose ASM-Hydraulic
5	140-6248	1	Damper	15	340-142	1	Fitting-Elbow, 90 DEG
6	3218-2	1	Nut-Hex Jam	15:1	237-58	1	O-Ring
7	322-10	1	Screw-HH	15:2	237-81	1	O-Ring
8	119-4041	3	Nut-HF	16	145-5929	1	Hydraulic Tube ASM
9	340-9	1	Fitting-STR	17	145-5923	1	Hydraulic Tube ASM
9:1	237-58	1	O-Ring	18	145-5927	1	Hose ASM-Hydraulic
9:2	237-81	1	O-Ring	19	340-4	1	Fitting-Straight
10	340-14	1	Fitting-HYD, 45 DEG	19:1	237-30	1	O-Ring
10:1	237-65	1	O-Ring	19:2	237-79	1	O-Ring
10:2	237-80	1	O-Ring	21	32151-72	1	Ring-Retaining
11	340-16	2	Fitting-HYD, 90 DEG	22	107-1413	2	Washer-Hardened
11:1	237-80	1	O-Ring	23	3230-10	2	Bolt-CARR
11:2	237-58	1	O-Ring	24	HDW14535	1	Flat Washer, 5/16 Nom,ST/ST,18-8
12	340-17	1	Fitting-Elbow, 90 DEG				

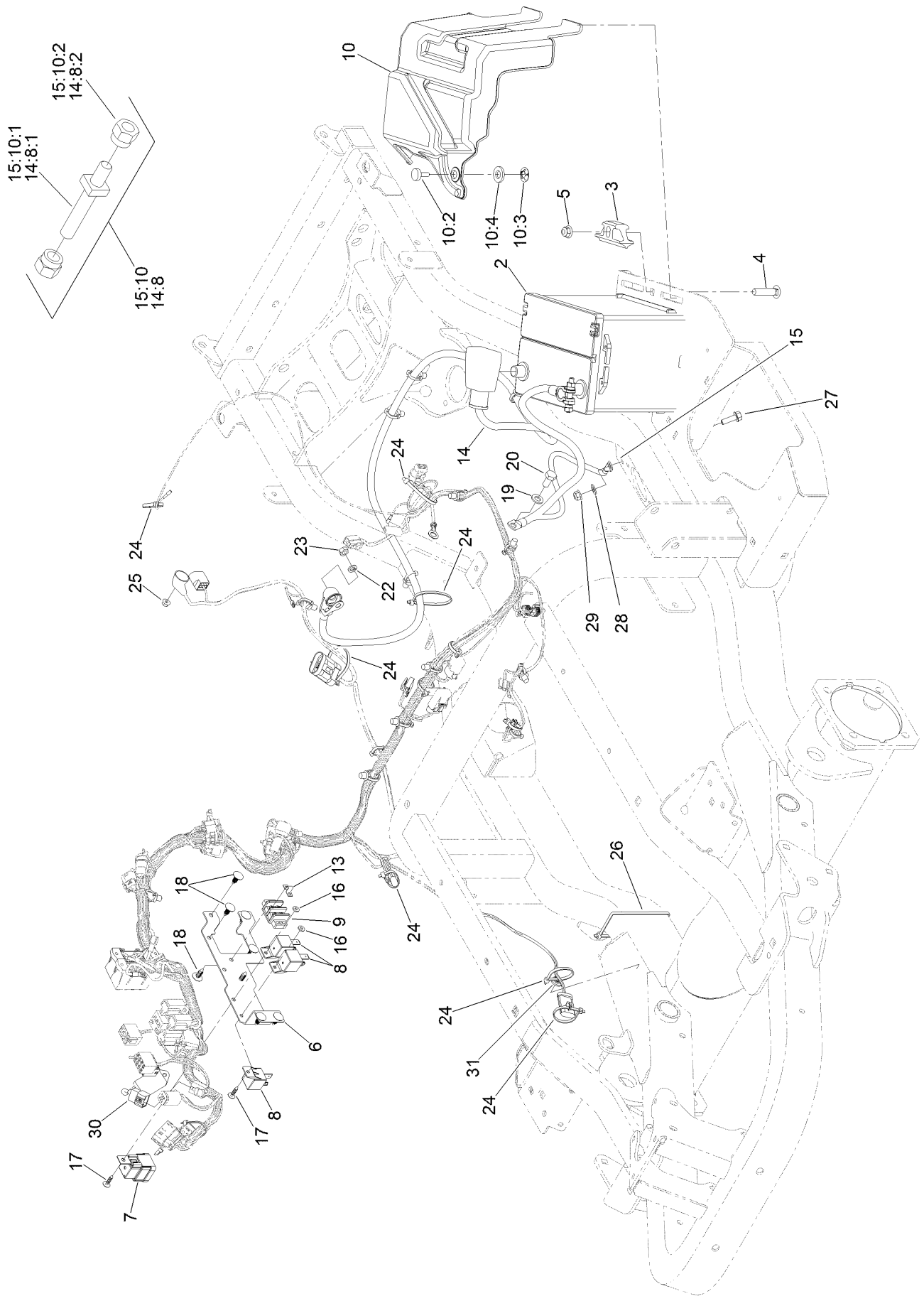
# Miscellaneous Parts Assembly



## Miscellaneous Parts Assembly (continued)

<i>Ref.</i>	<i>Part Number</i>	<i>Qty.</i>	<i>Description</i>
6	144-3952	1	Decal-Slope

# Electrical Assembly



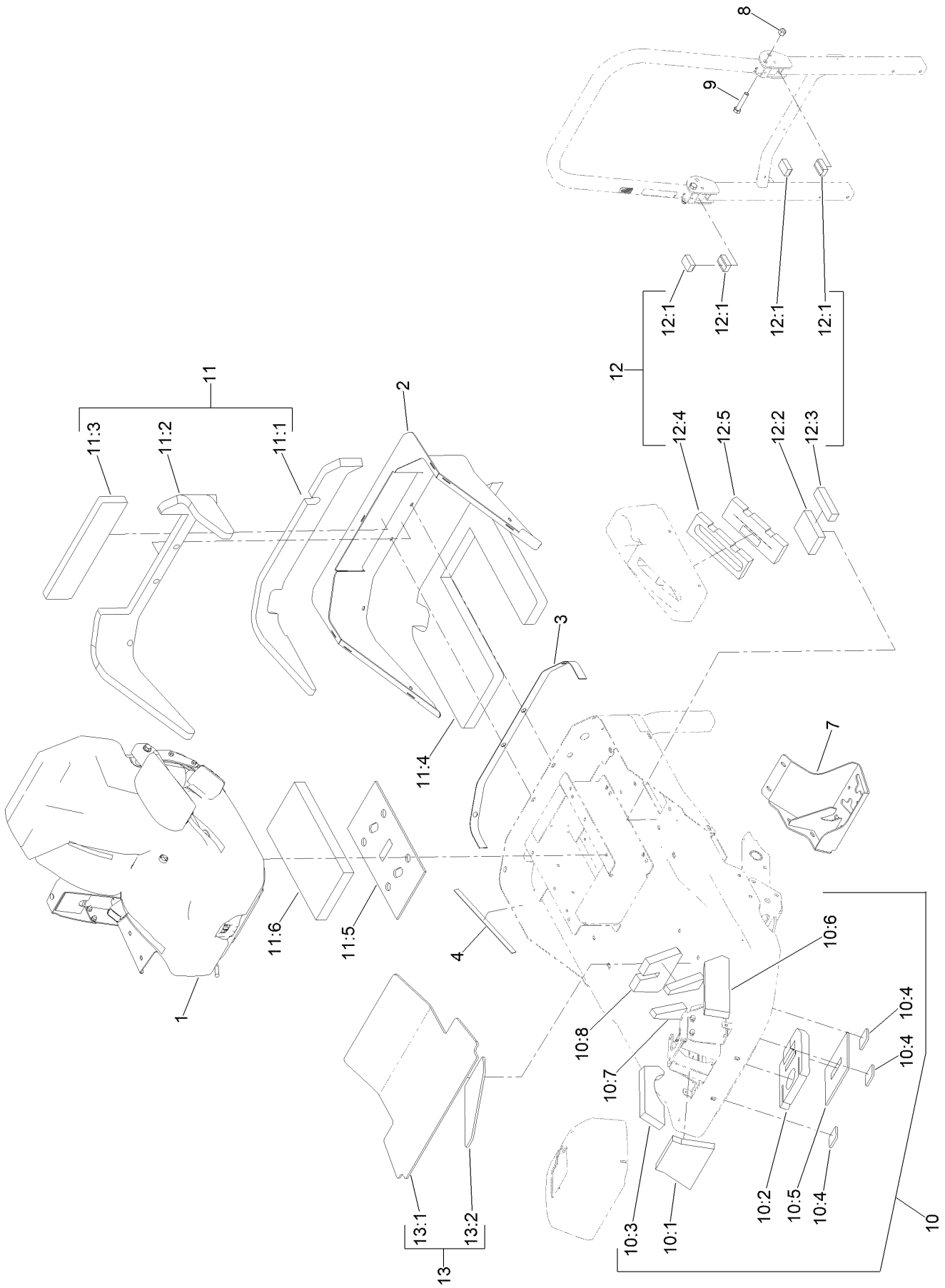
## Electrical Assembly (continued)

<i>Ref.</i>	<i>Part Number</i>	<i>Qty.</i>	<i>Description</i>	<i>Ref.</i>	<i>Part Number</i>	<i>Qty.</i>	<i>Description</i>
2		1	Battery - Wet, 12V, 540 CCA ■▲	15:10		1	Bolt ASM ●▲
3	138-6335	1	Retainer-Battery	15:10:1	32180-107	1	Bolt-Clamp, Battery
4	3231-29	1	Screw-CARR	15:10:2	32180-108	2	Nut-Hex Shoulder
5	119-4042	1	Nut-HF, NI	16	3256-21	2	Washer-Flat
6	138-7467-0P	1	Bracket-Electrical	17	125-8067	2	Plug-Plastic
7	99-7430	1	Relay-Mini	18	117-2382	8	Plug-Plastic
8	99-7435	3	Relay	19	33095-00	1	Washer-Flat
9	42862	1	Block-Terminal, Ground	20	33115-020	1	Screw-HH
10	140-9010	1	Battery Cover ASM	22	3253-4	1	Washer-Lock
10:2	140-9033	1	Knob-Stud	23	33014-00	1	Nut-Hex
10:3	32115-15	1	Nut-Push	24	3290-378	7	Tie-Cable
10:4	3256-22	1	Washer-Flat	25	33003-00	1	Nut-HF
13	42863	1	Strip-Jumper	26	3290-379	1	Tie-Cable
14	122-1275	1	Cable-Battery, Positive ASM	27	3234-29	1	Screw-HHF
14:1	32180-115	1	Panduit, Cable Tie ●	28	120-9683	1	Washer-Plain
14:8		1	Bolt ASM ●▲	29	119-4041	1	Nut-HF
14:8:1	32180-107	1	Bolt-Clamp, Battery	30	134-1507RT01	1	Timer-Glowplug
14:8:2	32180-108	2	Nut-Hex Shoulder	31	32180-139	1	Mount-Tie Wrap, Magnetic
15	122-1276	1	Cable-Battery, Negative ASM				

● Not illustrated  
▲ Not serviced separately

■ Obtain locally.

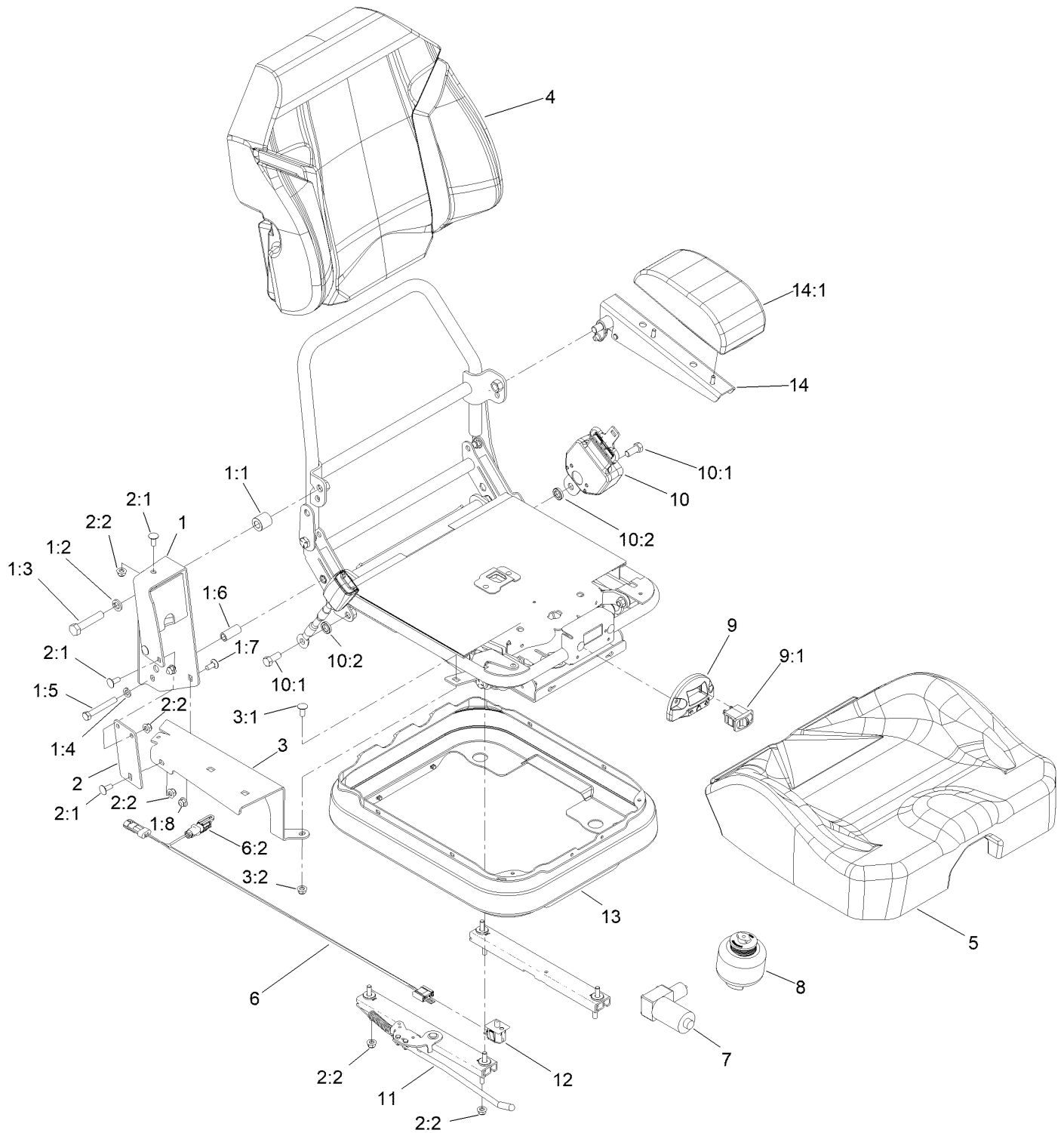
# Seat, Firewall and Step Mount Assembly



## Seat, Firewall and Step Mount Assembly (continued)

<i>Ref.</i>	<i>Part Number</i>	<i>Qty.</i>	<i>Description</i>	<i>Ref.</i>	<i>Part Number</i>	<i>Qty.</i>	<i>Description</i>
1	161-0807	1	Seat ASM-Air Ride	11	144-0525	1	Kit-Foam, Sound Reduction
2	139-2035-03	1	Firewall-Upper	11:1	140-6891	1	Panel-Firewall, Sound
3	139-2039	1	Seal-Foam, Firewall	11:2	140-6892	1	Panel-Firewall, Sound
4	139-2040	2	Seal-Foam, Side	11:3	140-6893	1	Tile-Firewall, Sound
7	139-2030-03	1	Mount-Step	11:4	140-6896	1	Floor-Pad
8	3296-51	2	Nut-Lock, NI	11:5	140-6724	1	Pad-Seat Base, Sound
9	328-7	2	Screw-HH	11:6	140-6725	1	Pad-Seat Base, Sound
10	144-4028	1	Kit-Foam, Sound Reduction	12	144-0526	1	Kit-Foam, Sound Reduction
10:1	144-3640	1	Steer-Plug Front	12:1	140-6897	4	Plug-ROPS
10:2	144-3224	1	Steer-Plug	12:2	140-6898	1	Brake-Plug
10:3	144-3639	1	Steer-Plug Right	12:3	140-6899	1	Brake-Plug
10:4	144-3227	3	Steering-Pad	12:4	144-3221	1	Brake-Plug
10:5	144-3228	1	Steering-Pad	12:5	144-3222	1	Brake-Plug
10:6	144-3638	1	Steer-Plug Left	13	144-0527	1	Kit-Foam, Sound Reduction
10:7	144-3641	2	Steer-Plug	13:1	144-3233	1	Floor-Pad, Center
10:8	144-3637	1	Steer-Plug Bottom	13:2	144-3234	1	Floor-Pad, Corner

# Air Ride Suspension Seat Assembly No. 161-0807



# Air Ride Suspension Seat Assembly No. 161-0807 (continued)

<i>Ref.</i>	<i>Part Number</i>	<i>Qty.</i>	<i>Description</i>	<i>Ref.</i>	<i>Part Number</i>	<i>Qty.</i>	<i>Description</i>
1	140-7112	1	Upper Console Mount Kit	5	125-3111	1	Cover-Cushion
1:1	140-7113	1	Spacer	6	122-2735	1	Harness-Wire, Seat
1:2	3253-7	1	Washer-Lock	6:2	32180-091	1	Cap-Dust, 2 Way
1:3	325-10	1	Screw-HH	7	140-7120	1	Air Compressor Kit
1:4	3253-21	1	Washer-Lock	8	140-7121	1	Air Bag Kit
1:5	323-13	1	Screw-HH	9	140-7122	1	Air Valve Kit
1:6	140-7114	1	Spacer	9:1	126-2747	1	Valve-Air Adjust
1:7	137-3061	2	Bolt-CARR	10	140-7116	1	Seat Belt Kit
1:8	119-4041	2	Nut-HF	10:1	3212-4	2	Screw-HH
2	140-7103	1	Bracket Kit	10:2	140-7108	2	Spacer
2:1	137-3061	4	Bolt-CARR	11	144-0458	1	Track Kit
2:2	119-4041	8	Nut-HF	12	145-3520	1	Switch-Plunger, On-(On)
3	140-7115	1	Lower Console Mount Kit	13	126-8559	1	Bellows-Seat
3:1	137-3061	1	Bolt-CARR	14	140-7110	1	Armrest-Deluxe, With Pad
3:2	119-4041	1	Nut-HF	14:1	140-7111	1	Pad-Armrest
4	125-3112	1	Cover-Back	99	140-7119	1	Harness-Air Ride ●

● Not illustrated

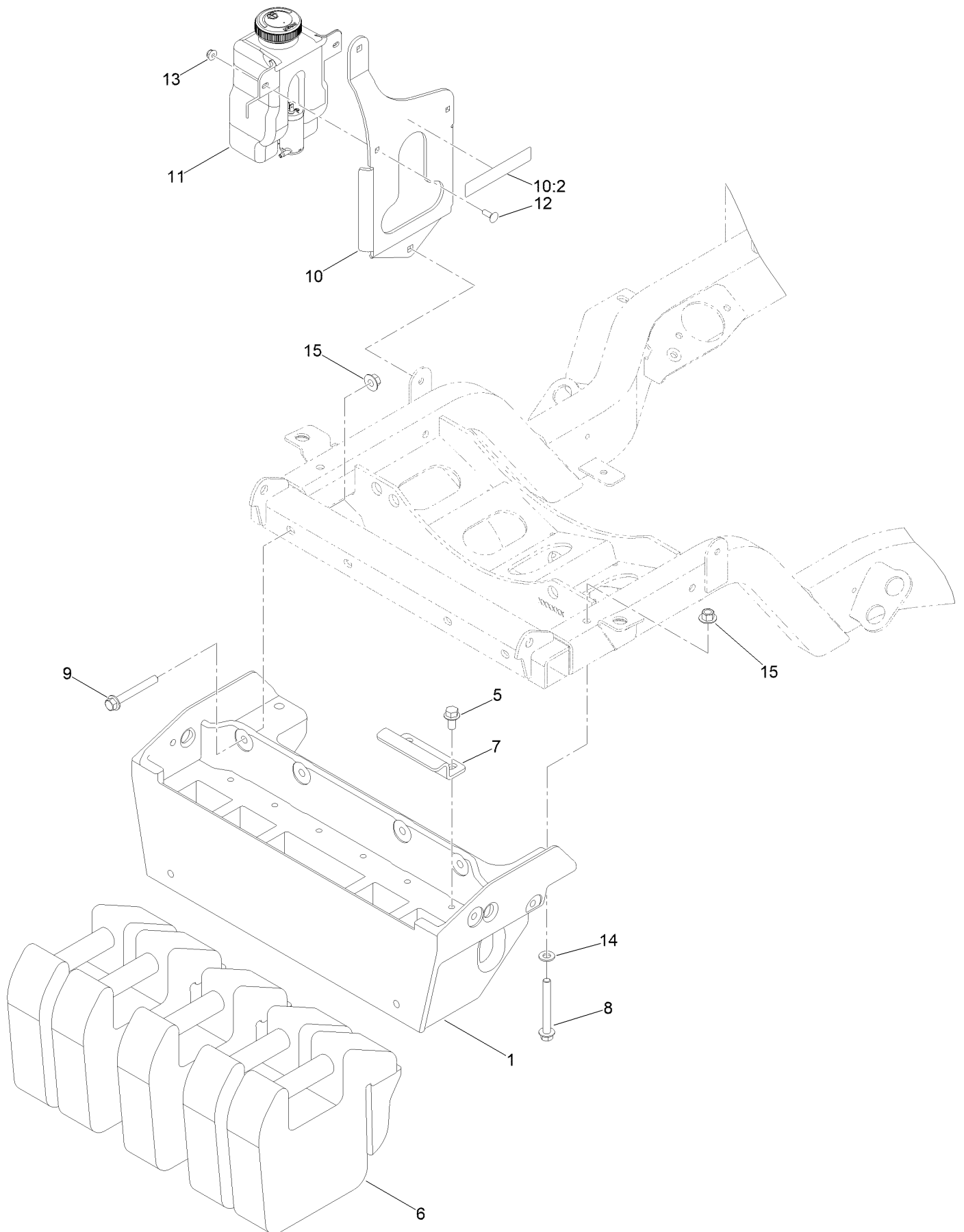


## Compressor and Belt Assembly (continued)

<i>Ref.</i>	<i>Part Number</i>	<i>Qty.</i>	<i>Description</i>	<i>Ref.</i>	<i>Part Number</i>	<i>Qty.</i>	<i>Description</i>
1	138-7435-0P	1	Bracket-Compressor Mount [prime	15	5-0652	3	Spacer
2	119-0103	1	Compressor	16	139-0873	1	Spacer
3	33095-00	2	Washer-Flat	17	119-7734	10	Shim
4	33115-110	1	Screw-HH	18	33105-030	2	Screw-HHF
5	103-9511	1	Nut-Flg	19	139-2236	2	Fitting-STR Spcl
6	100-2592	1	Screw-HHF	20	106-4498	1	Belt-V
7	119-0723	1	Screw-HH, Lock	21	139-6205	4	Shim
8	1-613204	1	Balljoint	22	2412-119	4	Clamp-Hose
9	125-4389	1	Bearing-End, Rod	23		2	Plug-Hose, ASM ●
10	136-7390	1	Turnbuckle	23:1	139-1904	1	Plug-Hose
11	33104-020	2	Screw-HHF	23:2	3217-5	1	Nut-Hex
12	3220-3	1	Nut-HJ	23:3	71-2870	1	Bolt-Eye
13	3220-16	1	Nut-Hex Jam, LH	24	140-6560	2	Hose-Heater, 5/8
14	119-4042	2	Nut-HF, NI	25	3290-378	1	Tie-Cable

● Not serviced separately

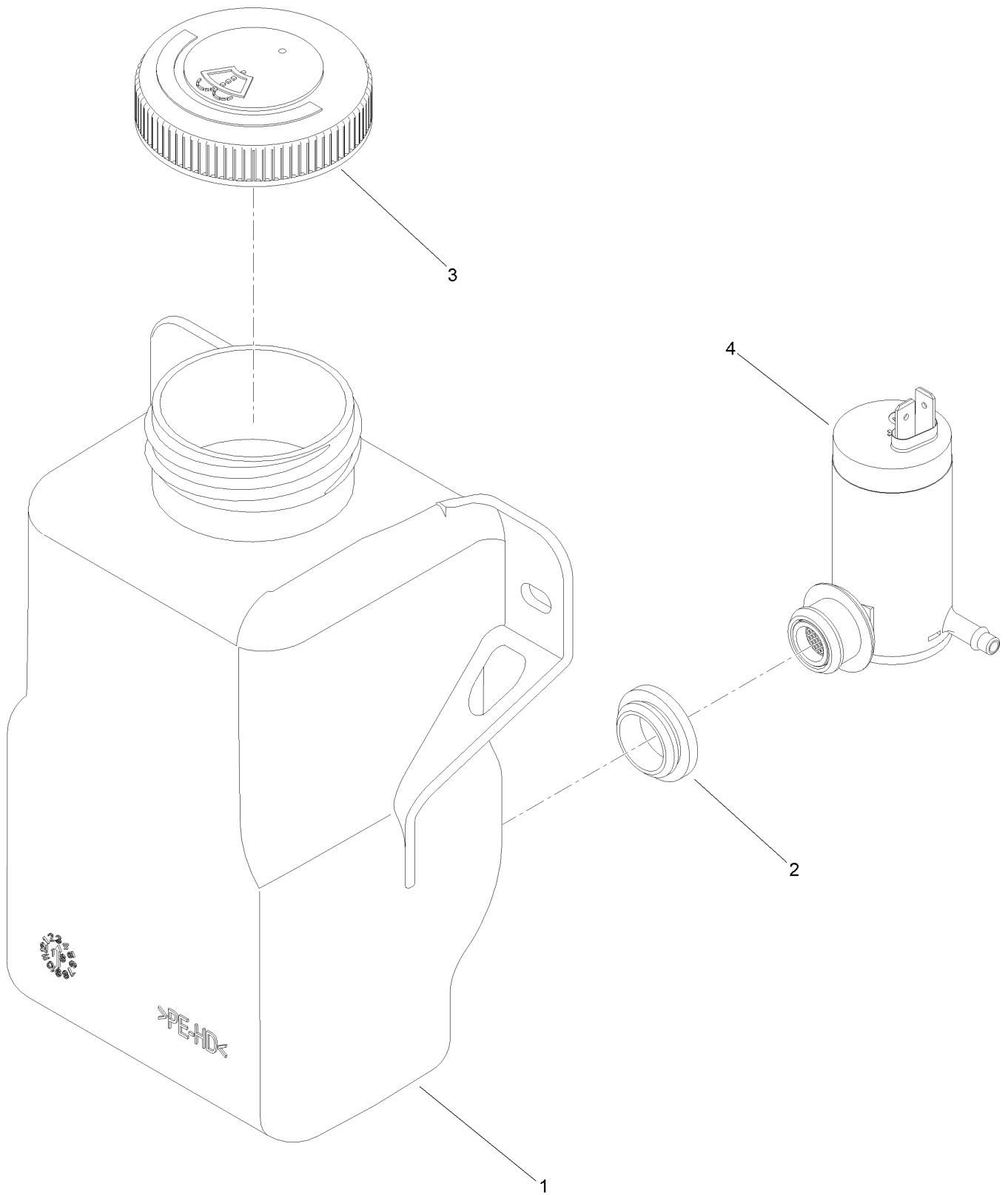
# Bumper and Weight Assembly



## Bumper and Weight Assembly (continued)

<i>Ref.</i>	<i>Part Number</i>	<i>Qty.</i>	<i>Description</i>	<i>Ref.</i>	<i>Part Number</i>	<i>Qty.</i>	<i>Description</i>
1	147-3589SP	1	Bumper-Rear	10:2	93-7272	1	Decal-Warning
5	3234-1	6	Screw-HHF	11	140-6665	1	Tank-Fluid, Washer (1.1L)
6	114-4096	5	Weight	12	3229-1	2	Screw-CARR
7	161-8910	3	Bracket-Weight Retainer	13	104-7201	2	Nut-HF, NI
8	3234-41	2	Screw-HHF	14	3256-24	2	Washer-Plain
9	139-2429	4	Screw-HHF	15	32128-43	6	Nut-Flange
10	144-3252	1	Mount-Washer				

# Washer Fluid Tank Assembly No. 140-6665



# Washer Fluid Tank Assembly No. 140-6665 (continued)

---

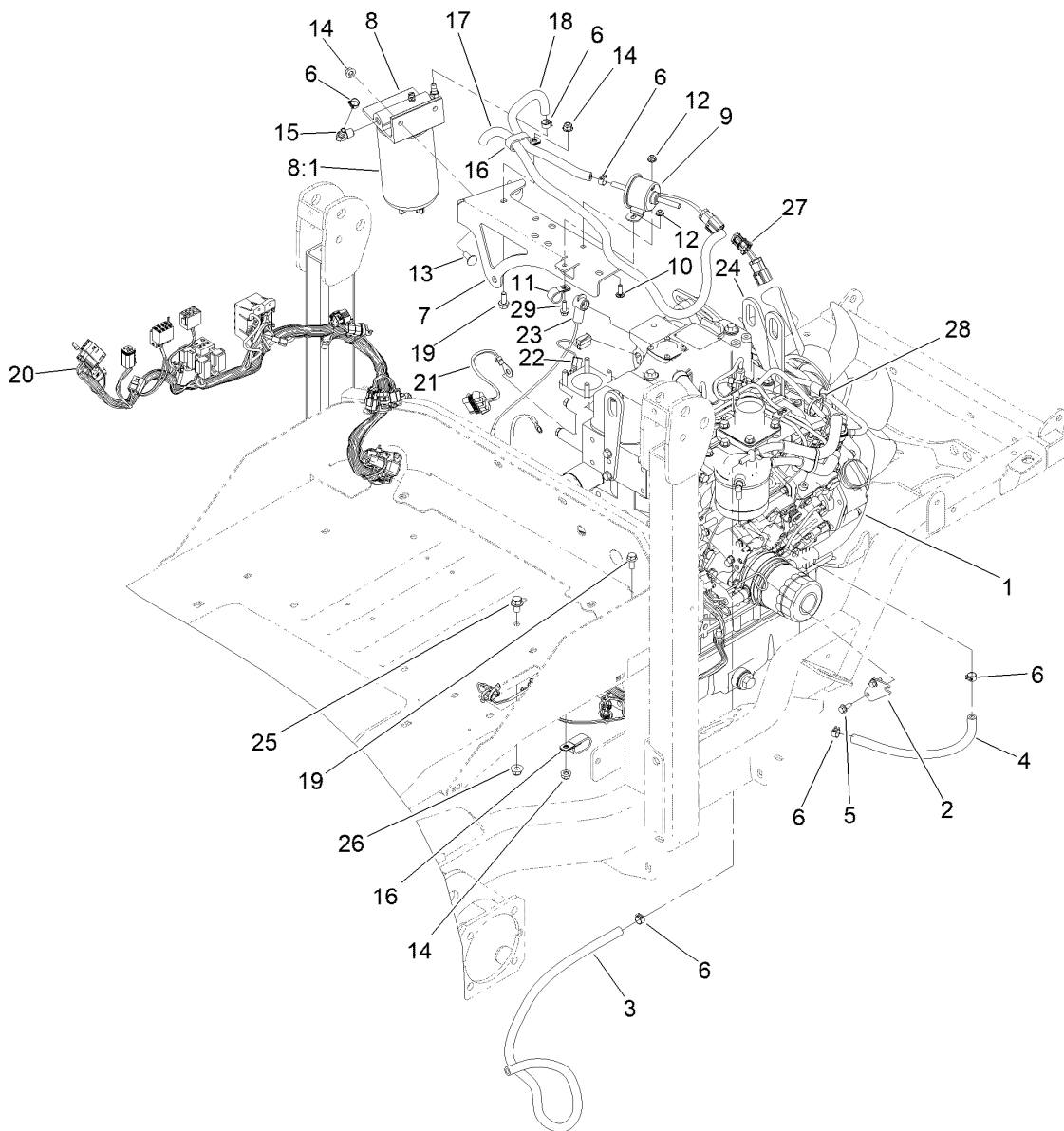
<i>Ref.</i>	<i>Part Number</i>	<i>Qty.</i>	<i>Description</i>
1	140-6666	1	Tank
2	140-6667	1	Grommet

---

---

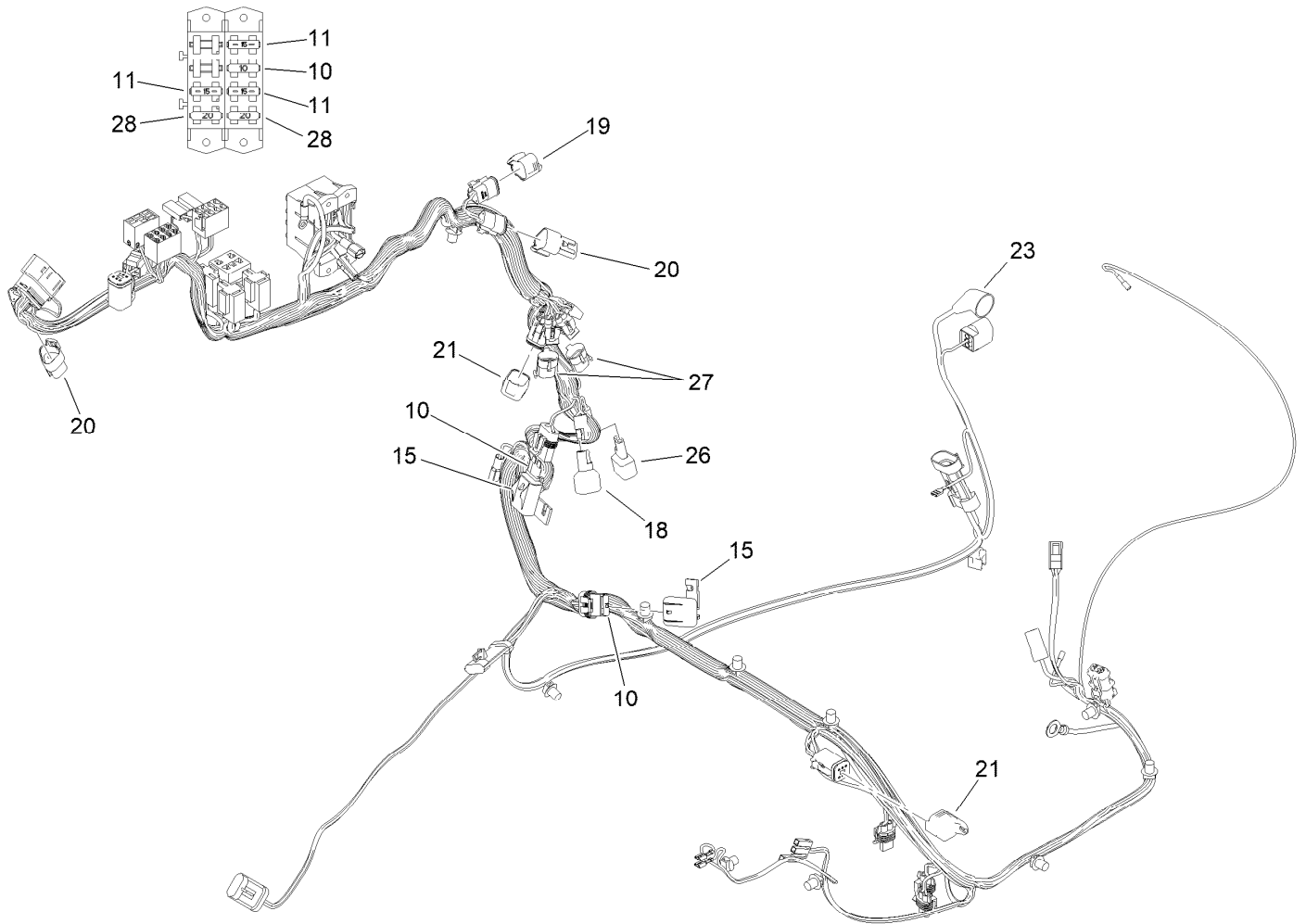
<i>Ref.</i>	<i>Part Number</i>	<i>Qty.</i>	<i>Description</i>
3	140-6669	1	Cap-Washer
4	140-6668	1	Pump-Washer

---



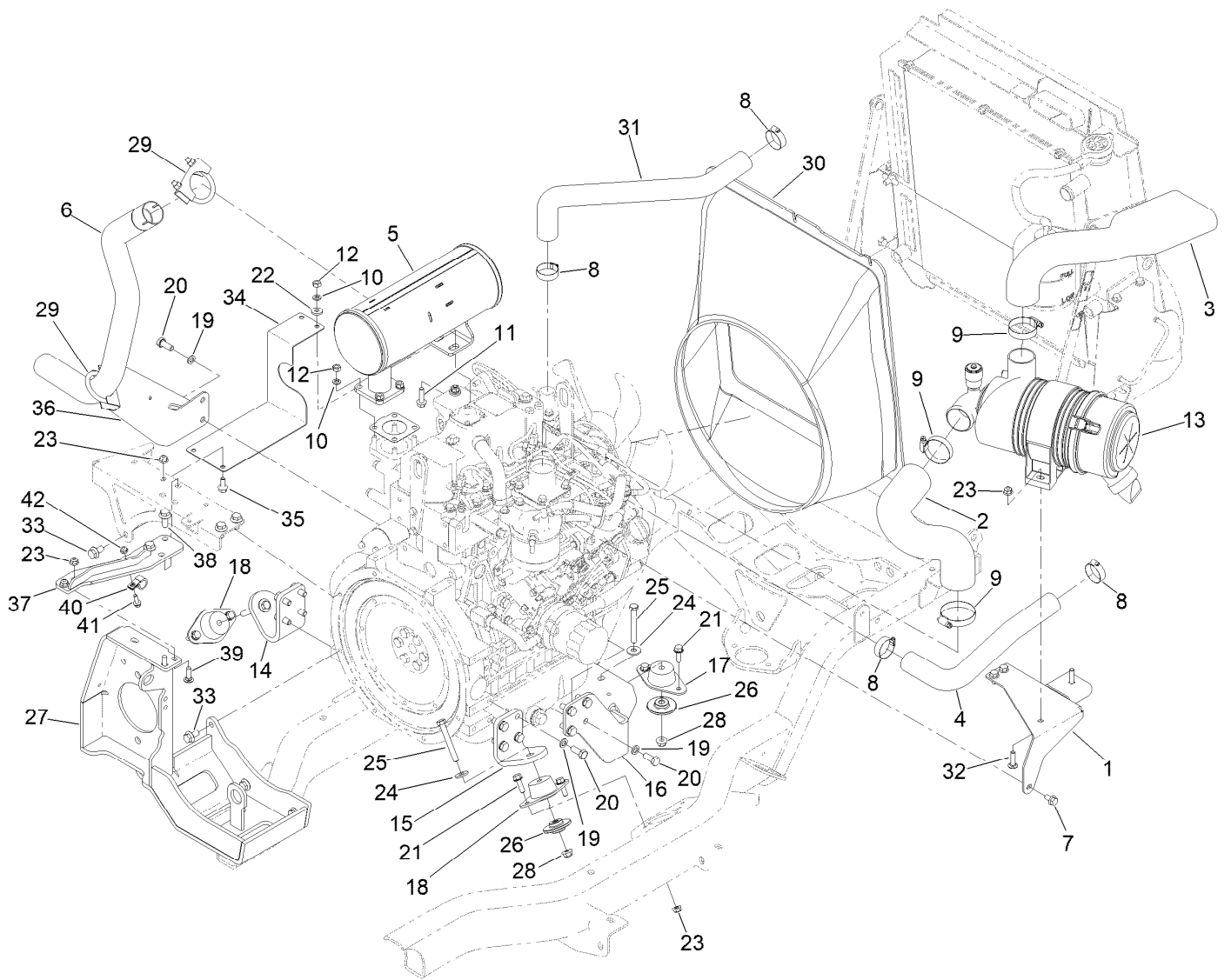
## Engine, Main Wire Harness and Fuel Assembly

<i>Ref.</i>	<i>Part Number</i>	<i>Qty.</i>	<i>Description</i>	<i>Ref.</i>	<i>Part Number</i>	<i>Qty.</i>	<i>Description</i>
1	139-6249	1	Engine-Yanmar	15	353-781	2	Fitting-HYD, 90
2	139-6267	1	Plate-Throttle	16	120-1959	2	Clamp
3	110-9662	1	Hose-Fuel	17	126-1805	1	Hose-Fuel
4	110-4104	1	Hose-Fuel	18	110-4101	1	Hose-Fuel
5	33103-016	2	Screw-HHF	19	3234-47	2	Screw-HHF
6	92-2379	6	Clamp-Hose	20	122-2518	1	Harness-Wire, Main
7	144-4098-0P	1	Bracket-Filter Mount	21	99-3441	1	Harness-Wire, Fusible Link
8	125-2914	1	Filter-Separator	22	122-1768	1	Harness-Wire, Adapter
8:1	125-2915	1	Filter-Fuel/Water Separator	23	100-5552	1	Harness-Wire
9	121-5613	1	Pump-Fuel, Electric	24	140-7189-0P	1	Bracket-Lift
10	1-807512	2	Bolt-CARR	25	3234-9	1	Screw-HHF
11	2412-87	1	Clamp-Cable	26	119-4042	1	Nut-HF, NI
12	104-7201	2	Nut-HF, NI	27	122-2138	1	Harness-Wire, Adapter
13	3230-10	2	Bolt-CARR	28	3290-378	1	Tie-Cable
14	119-4041	4	Nut-HF	29	120-9678	1	Screw-HHF



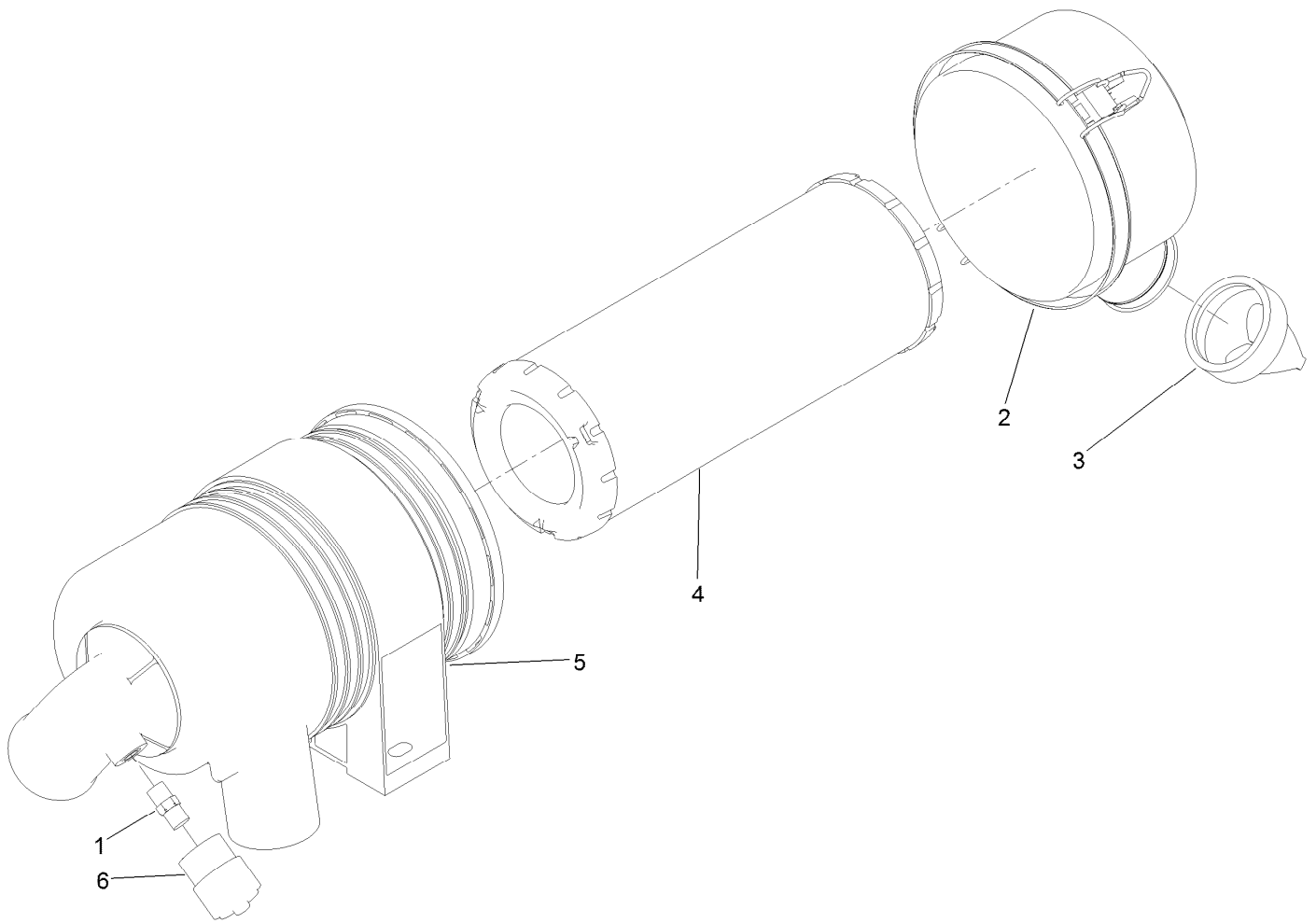
## Wire Harness Assembly No. 122-2518

<i>Ref.</i>	<i>Part Number</i>	<i>Qty.</i>	<i>Description</i>
10	218-578	3	Fuse-Blade, 10 Amp
11	109355	3	Fuse-Blade, 15 Amp
15	32180-019	2	Cover-Fuse, Single
18	108-9493	1	Diode-Tvs
19	32180-089	1	Cap-Plug, 3 Way
20	32180-043	2	Resistor-120 Ohm
21	32180-156	2	Cap-Plug, 6 Way
23	32180-017	1	Insulator-Terminal, Black
26	104-4022	1	Resistor-75 Ohm
27	32180-056	2	Cap
28	109101	2	Fuse-Blade, 20 Amp



## Engine Mount, Exhaust and Air Cleaner Assembly

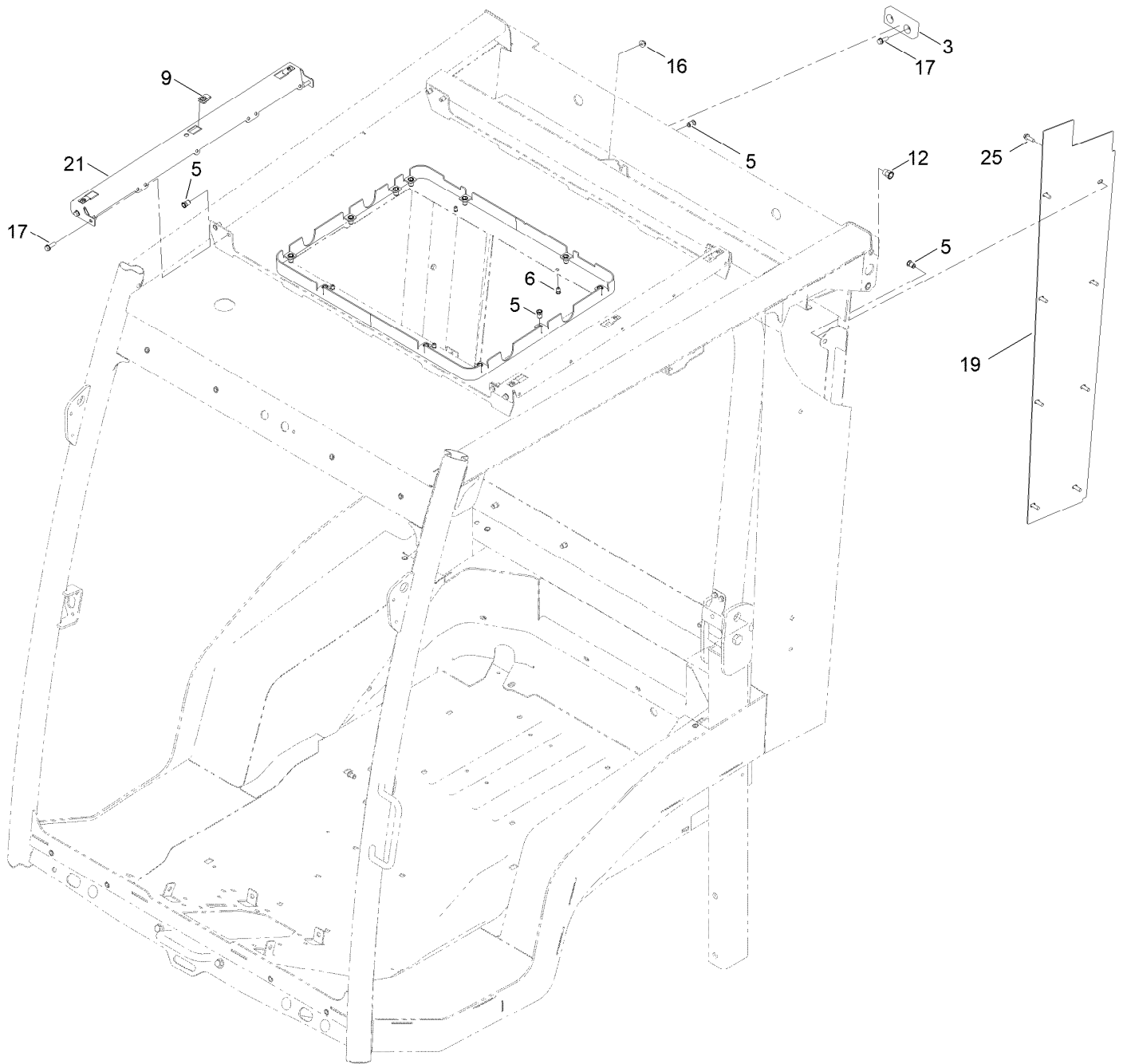
Ref.	Part Number	Qty.	Description	Ref.	Part Number	Qty.	Description
1	139-6260-0P	1	Bracket-Air Cleaner	22	88-7200	2	Washer-Flat
2	139-6263	1	Hose-Cleaner, Air	23	119-4041	11	Nut-HF
3	139-6264	1	Hose-Intake, Air	24	80-6990	3	Washer-Hardened
4	139-6265	1	Hose-Radiator, Lower	25	323-14	3	Screw-HH
5	139-6269	1	Muffler ASM	26	138-6462	3	Support-Isolator
6	144-0571	1	Pipe-Exhaust	27	145-6016-0P	1	Bracket-Pump Mount
7	33104-016	3	Screw-HHF	28	119-4042	3	Nut-HF, NI
8	2412-34	4	Clamp-Hose	29	18-2130	2	Clamp
9	2412-130	3	Clamp-Hose	30	138-0419	1	Shroud-Fan
10	3253-4	6	Washer-Lock	31	138-0429	1	Hose-Radiator, Upper
11	33104-030	2	Screw-HHF	32	3230-29	2	Screw-CARR
12	33014-00	6	Nut-Hex	33	33105-020	4	Screw-HHF
13	136-4481	1	Air Cleaner ASM	34	140-7186	1	Bracket-Heat Shield
14	138-0408-0P	1	Mount-Engine, RH Front	35	3234-47	1	Screw-HHF
15	138-0409-0P	1	Mount-Engine, LH Front	36	144-0514-03	1	Support-Tailpipe
16	138-0410-0P	1	Mount-Engine, Rear 37HP	37	145-5955-0P	1	Bracket-Pump
17	120-6274	1	Mount-Engine	38	33105-025	2	Screw-HHF
18	139-0856	2	Mount-Engine	39	3230-2	2	Bolt-CARR
19	48-9590	16	Washer-Lock	40	2412-87	1	Clamp-Cable
20	33115-025	16	Screw-HH	41	120-9678	1	Screw-HHF
21	3234-29	6	Screw-HHF	42	104-7201	1	Nut-HF, NI



## Air Cleaner Assembly No. 136-4481

<i>Ref.</i>	<i>Part Number</i>	<i>Qty.</i>	<i>Description</i>
1	94-1416	1	Adapter-Indicator
2	98-9771	1	Cover ASM
3	94-1414	1	Valve-Vacuator
4	108-3810	1	Filter-Air
5	98-4525	1	Bracket-Cleaner, Air
6	93-9164	1	Indicator-Mini

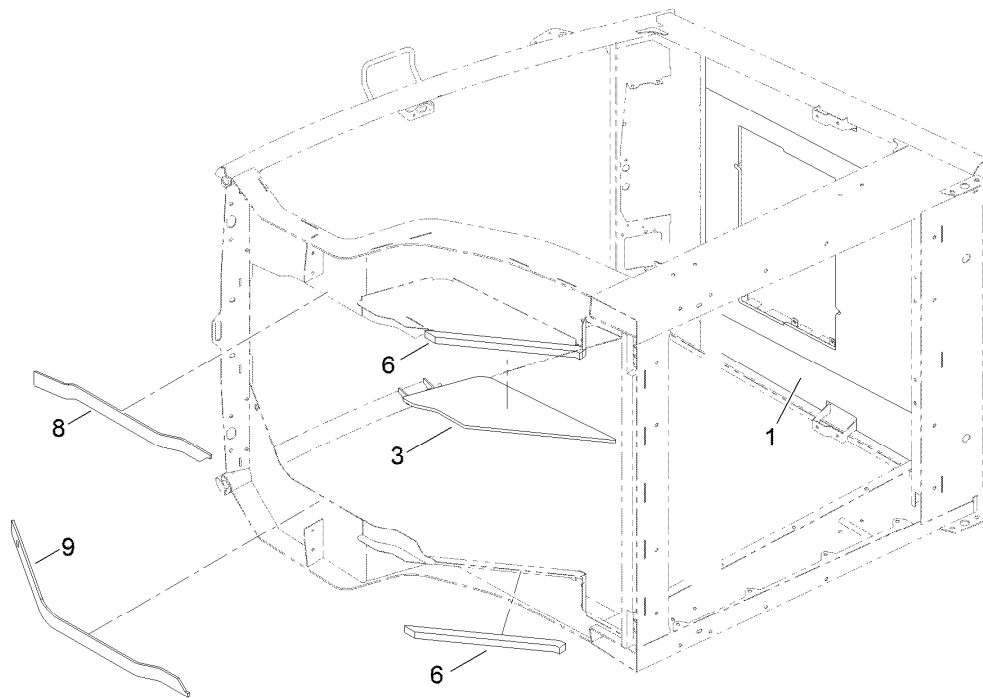
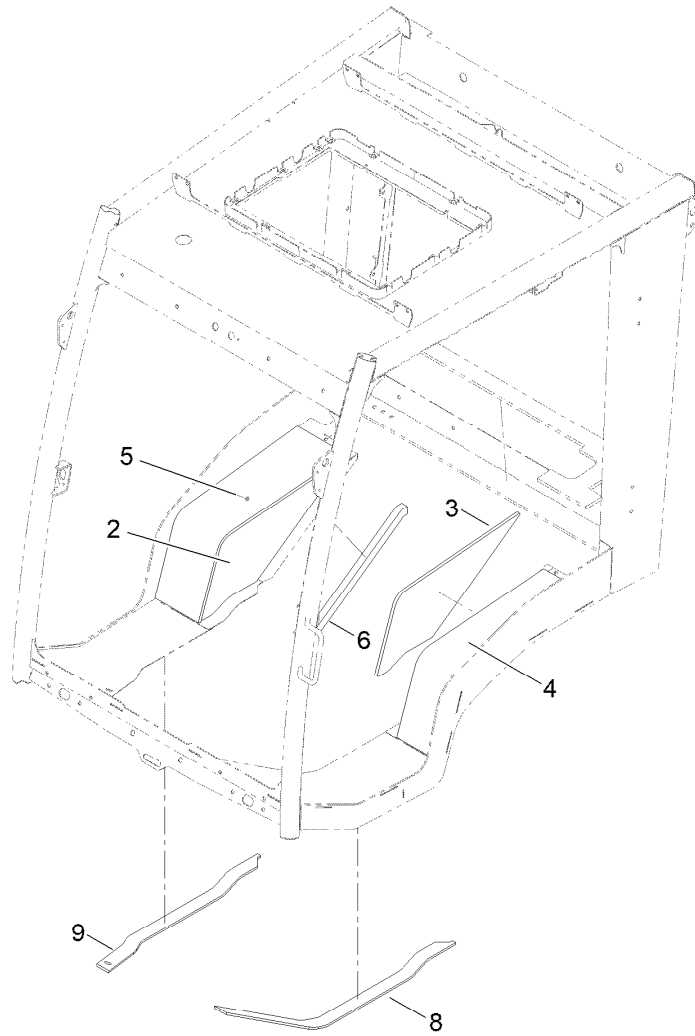
# Frame, Mount and Seals Assembly



## Frame, Mount and Seals Assembly (continued)

<i>Ref.</i>	<i>Part Number</i>	<i>Qty.</i>	<i>Description</i>	<i>Ref.</i>	<i>Part Number</i>	<i>Qty.</i>	<i>Description</i>
3	86-5350	4	Bumper-Rubber	16	104-7201	8	Nut-HF, NI
5	138-2760	69	Nut-Clinch, Hex	17	32105-15	16	Screw-HWH
6	137-1225	4	Nut-Clinch,Hex	19	137-1167-03	2	Cover-Post, Rear
9	107069	6	Clip	21	139-2158-03	2	Bracket-Mount, Roof
12	138-2899	4	Nut-Clinch	25	32105-15	16	Screw-HWH

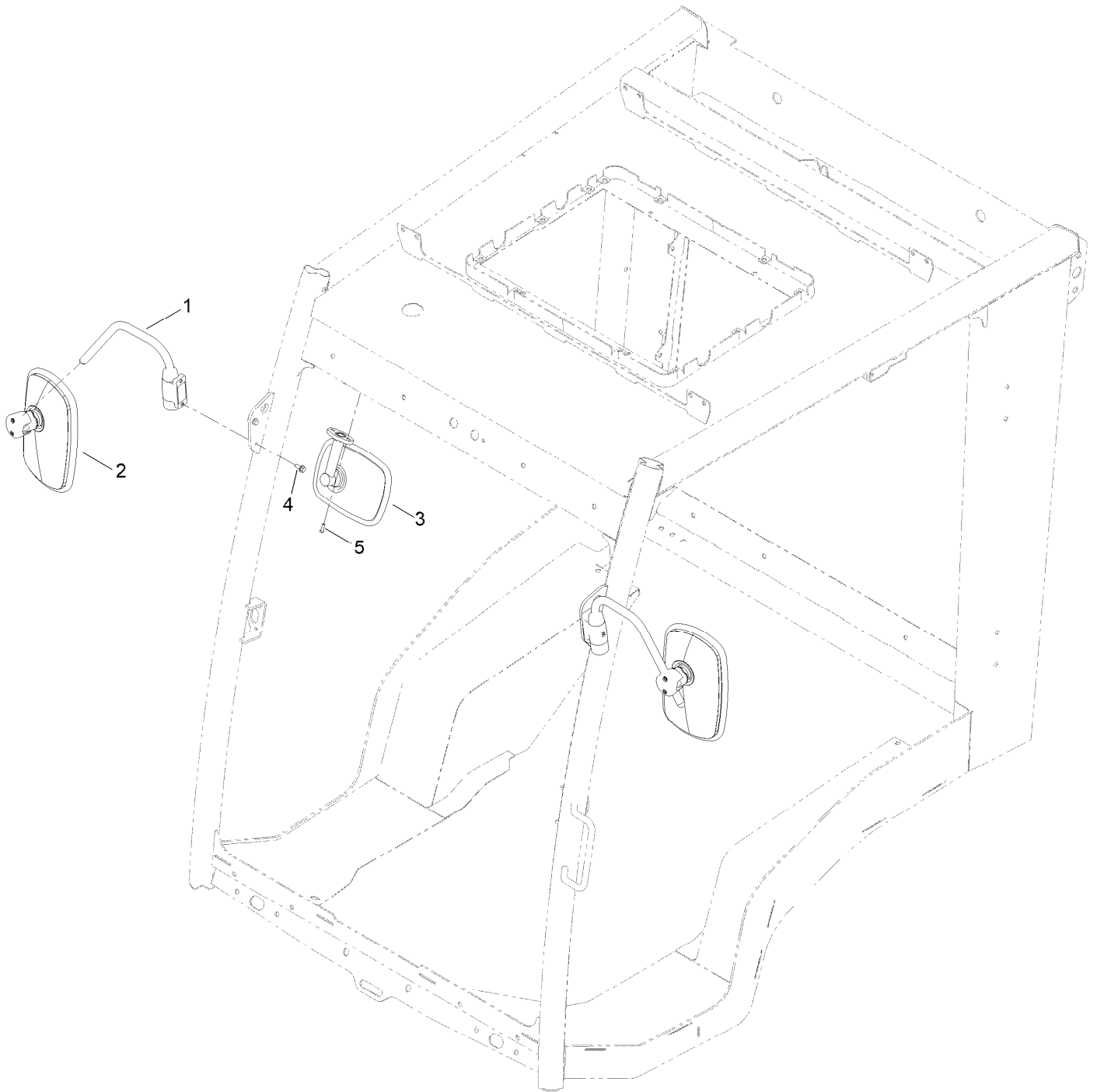
# Interior Foam and Carpet Assembly



## Interior Foam and Carpet Assembly (continued)

<i>Ref.</i>	<i>Part Number</i>	<i>Qty.</i>	<i>Description</i>	<i>Ref.</i>	<i>Part Number</i>	<i>Qty.</i>	<i>Description</i>
1	163-0369	1	Foam-Interior Roof	5	163-0342	1	Carpet-Interior, Tank RH
2	163-0340	1	Carpet-Interior, Side RH	6	139-2003	2	Seal-Foam, Side
3	163-0339	1	Carpet-Interior, Side LH	8	139-2004	1	Seal-Foam, LH
4	163-0341	1	Carpet-Interior, Tank LH	9	139-2005	1	Seal-Foam, RH

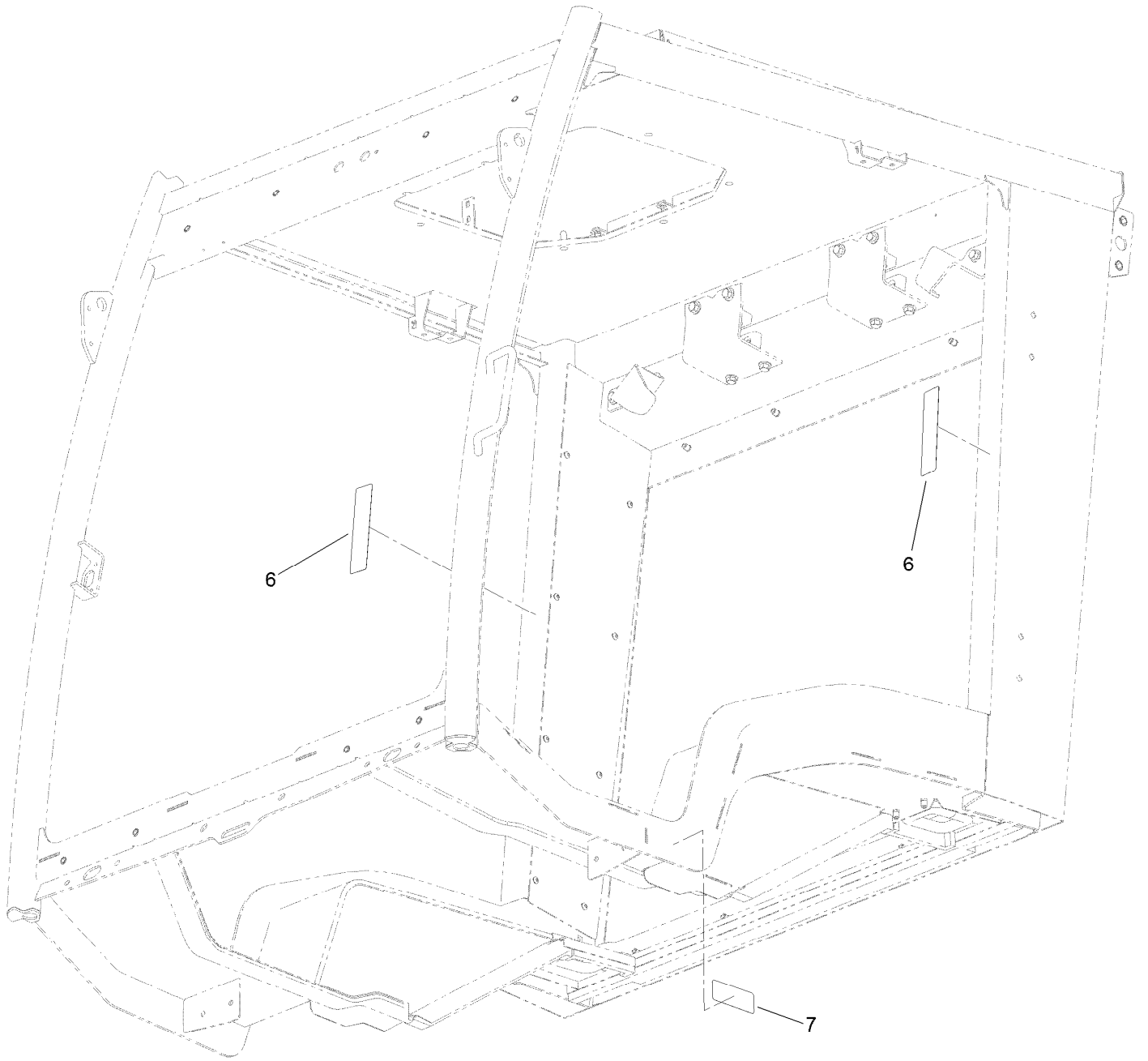
# Cab Mirrors Assembly



## Cab Mirrors Assembly (continued)

<i>Ref.</i>	<i>Part Number</i>	<i>Qty.</i>	<i>Description</i>	<i>Ref.</i>	<i>Part Number</i>	<i>Qty.</i>	<i>Description</i>
1	121-8275	2	Arm-Mirror, Side	4	33103-016	4	Screw-HHF
2	121-8341	2	Side Mirror ASM	5	32144-32	2	Screw-PPH
3	121-8343	1	Interior Mirror ASM				

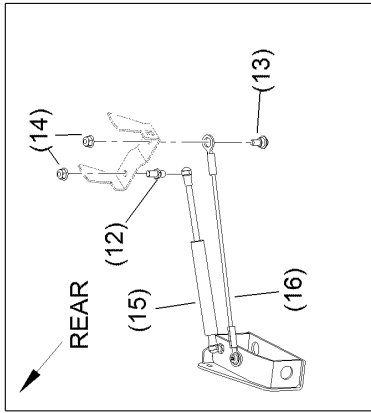
# Decal Assembly



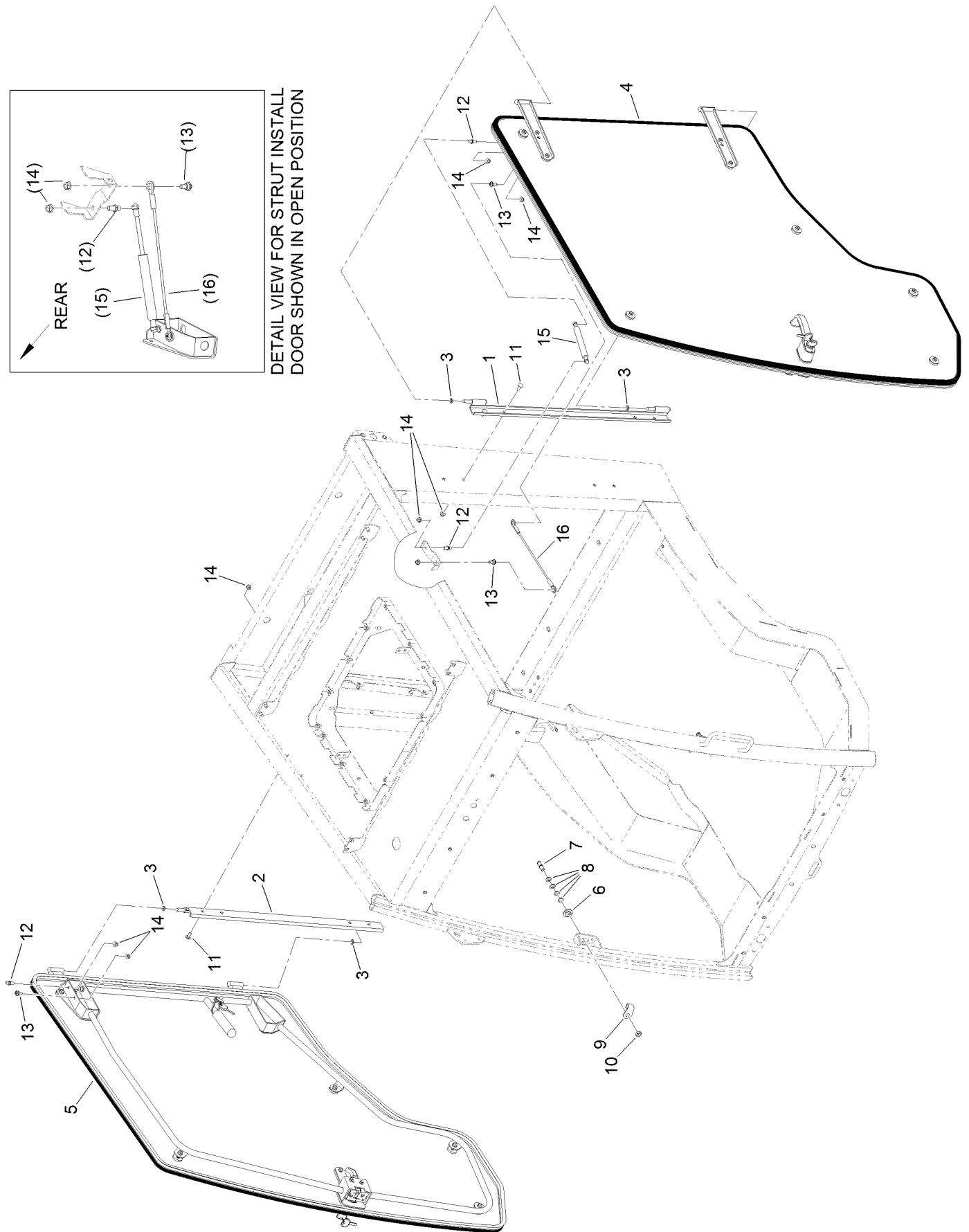
## Decal Assembly (continued)

<i>Ref.</i>	<i>Part Number</i>	<i>Qty.</i>	<i>Description</i>
6	130-0594	2	Decal-Warning
7	106-9206	2	Decal-Torque, Wheel

# Door Assembly



DETAIL VIEW FOR STRUT INSTALL  
DOOR SHOWN IN OPEN POSITION

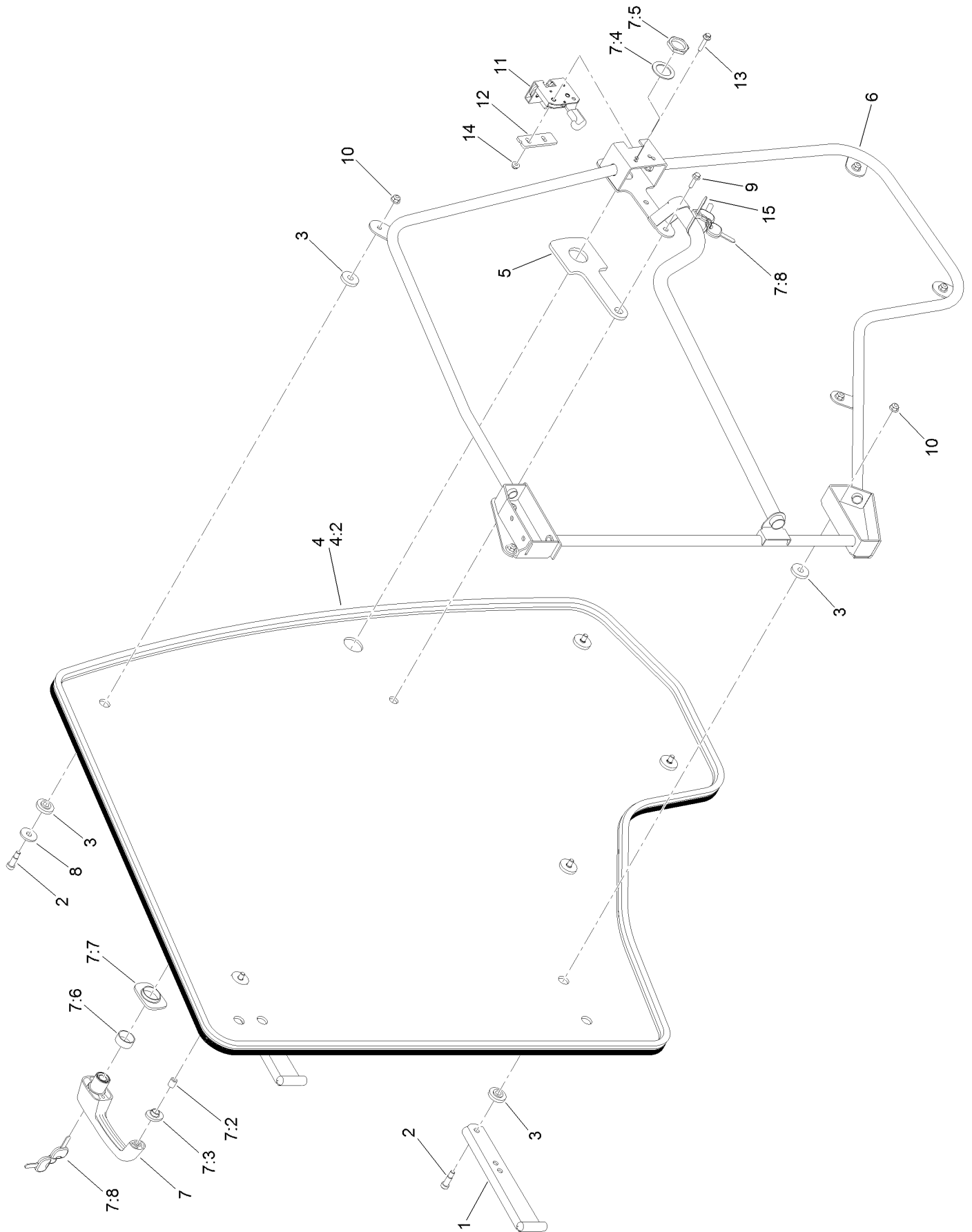


## Door Assembly (continued)

<i>Ref.</i>	<i>Part Number</i>	<i>Qty.</i>	<i>Description</i>	<i>Ref.</i>	<i>Part Number</i>	<i>Qty.</i>	<i>Description</i>
1	138-2944-03	1	Mount-Door, LH	9	121-8393	2	Guard-Striker
2	138-2945-03	1	Mount-Door, RH	10	140-4431	2	Nut-Hex, Jam
3	121-8441	4	Washer-Spacer	11	137-3061	8	Bolt-CARR
4		1	LH Door ASM ●	12	98-3104	4	Stud-Ball
5		1	RH Door ASM ●	13	120-9471	4	Bolt-Shoulder
6	125-9992	2	Adjuster-Stud	14	119-4041	16	Nut-HF
7	140-4422	2	Striker-Stud	15	144-3517	2	Spring-Gas, Door
8	73-0040	8	Washer-Thrust	16	140-1636	2	Lanyard-Coated

● Not serviced separately

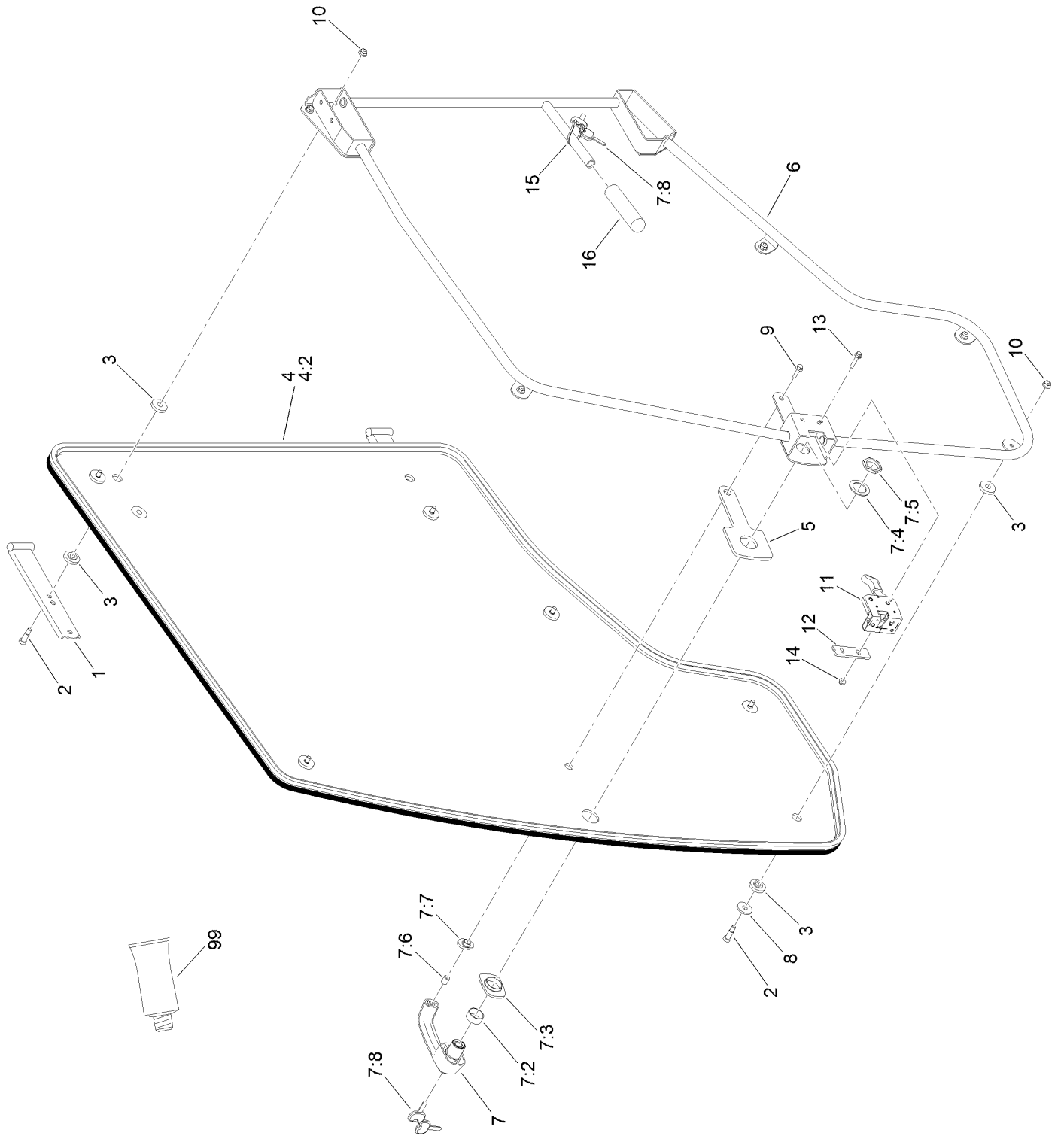
# LH Door Assembly



## LH Door Assembly (continued)

<i>Ref.</i>	<i>Part Number</i>	<i>Qty.</i>	<i>Description</i>	<i>Ref.</i>	<i>Part Number</i>	<i>Qty.</i>	<i>Description</i>
1	132-3622-03	2	Hinge-Door, LH	7:6	121-8627	1	Cylinder-Mounting, End
2	125-9520	9	Screw-Shoulder, HSH	7:7	121-8323	1	Grommet-Mounting, Small
3	125-9982	18	Bushing-Flange	7:8	125-9531	1	Key-Set
4	137-1207	1	LH Glass Door ASM	8	125-9676	5	Washer-Backup
4:2	137-1205	1	Trim-Seal, Door	9	33103-025	1	Screw-HHF
5	121-8331	1	Gasket-Handle	10	119-4041	9	Nut-HF
6	140-6552-03	1	Frame-Door, LH	11	121-8391	1	Latch-LH
7	121-8630	1	Handle ASM	12	121-8395	1	Plate-Support, Latch
7:2	121-8628	1	Cylinder-Mounting, Key	13	3234-21	2	Screw-HHF
7:3	121-8322	1	Grommet-Mounting, Large	14	104-7201	2	Nut-HF, NI
7:4	121-8327	1	Washer	15	3290-378	1	Tie-Cable
7:5	121-8328	1	Nut				

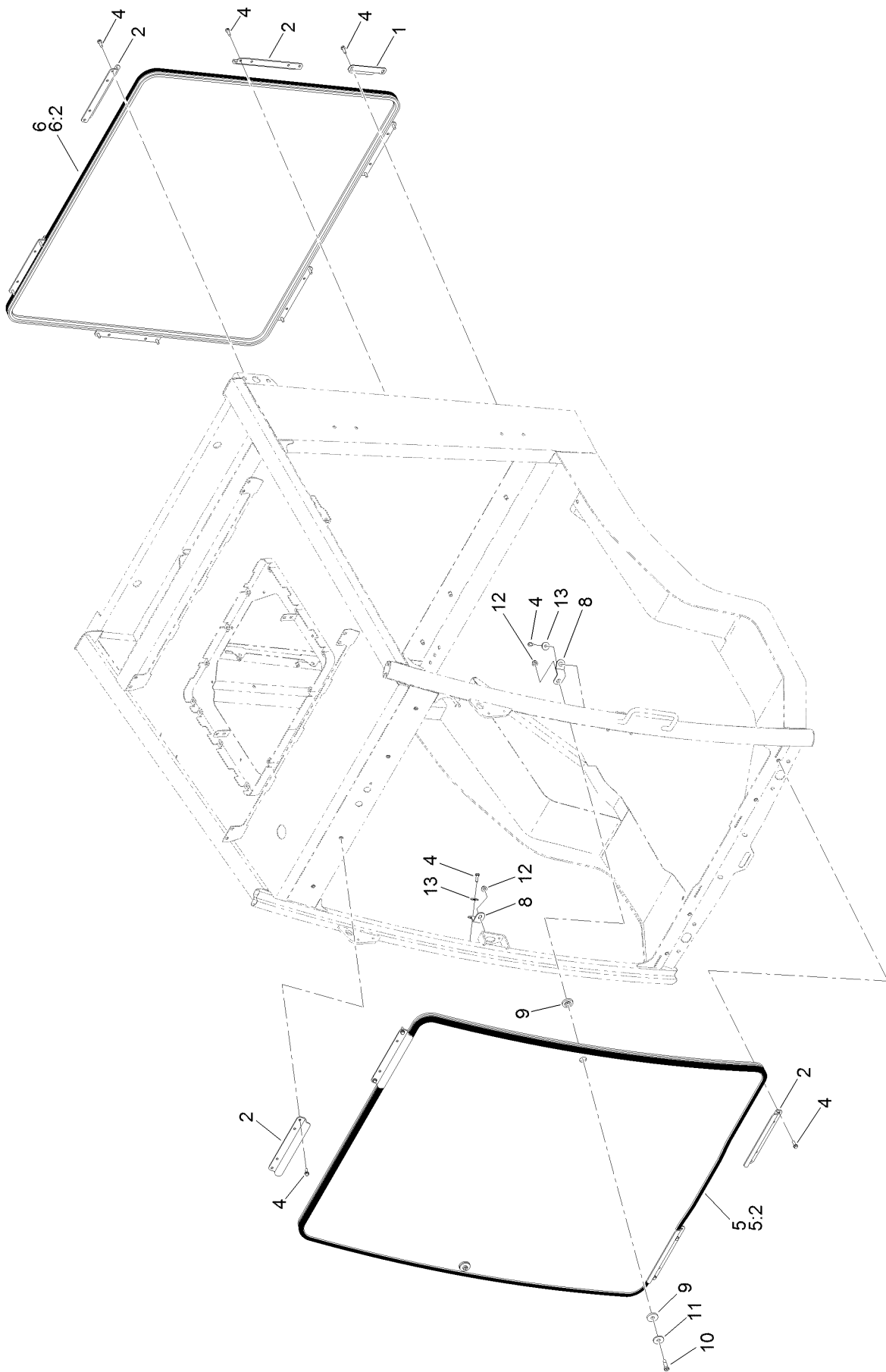
# RH Door Assembly



## RH Door Assembly (continued)

<i>Ref.</i>	<i>Part Number</i>	<i>Qty.</i>	<i>Description</i>	<i>Ref.</i>	<i>Part Number</i>	<i>Qty.</i>	<i>Description</i>
1	132-3636-03	2	Hinge-Door, RH	7:7	121-8323	1	Grommet-Mounting, Small
2	125-9520	9	Screw-Shoulder, HSH	7:8	125-9531	1	Key-Set
3	125-9982	18	Bushing-Flange	8	125-9676	5	Washer-Backup
4	137-1208	1	RH Glass Door ASM	9	33103-025	1	Screw-HHF
4:2	137-1205	1	Trim-Seal, Door	10	119-4041	9	Nut-HF
5	121-8331	1	Gasket-Handle	11	121-8390	1	Latch-RH
6	140-6553-03	1	Frame-Door, RH	12	121-8395	1	Plate-Support, Latch
7	121-8630	1	Handle ASM	13	3234-21	2	Screw-HHF
7:2	121-8628	1	Cylinder-Mounting, Key	14	104-7201	2	Nut-HF, NI
7:3	121-8322	1	Grommet-Mounting, Large	15	3290-378	1	Tie-Cable
7:4	121-8327	1	Washer	16	110-1037	1	Grip-Handle
7:5	121-8328	1	Nut	99	505-42	1	Adhesive-Loctite
7:6	121-8627	1	Cylinder-Mounting, End				

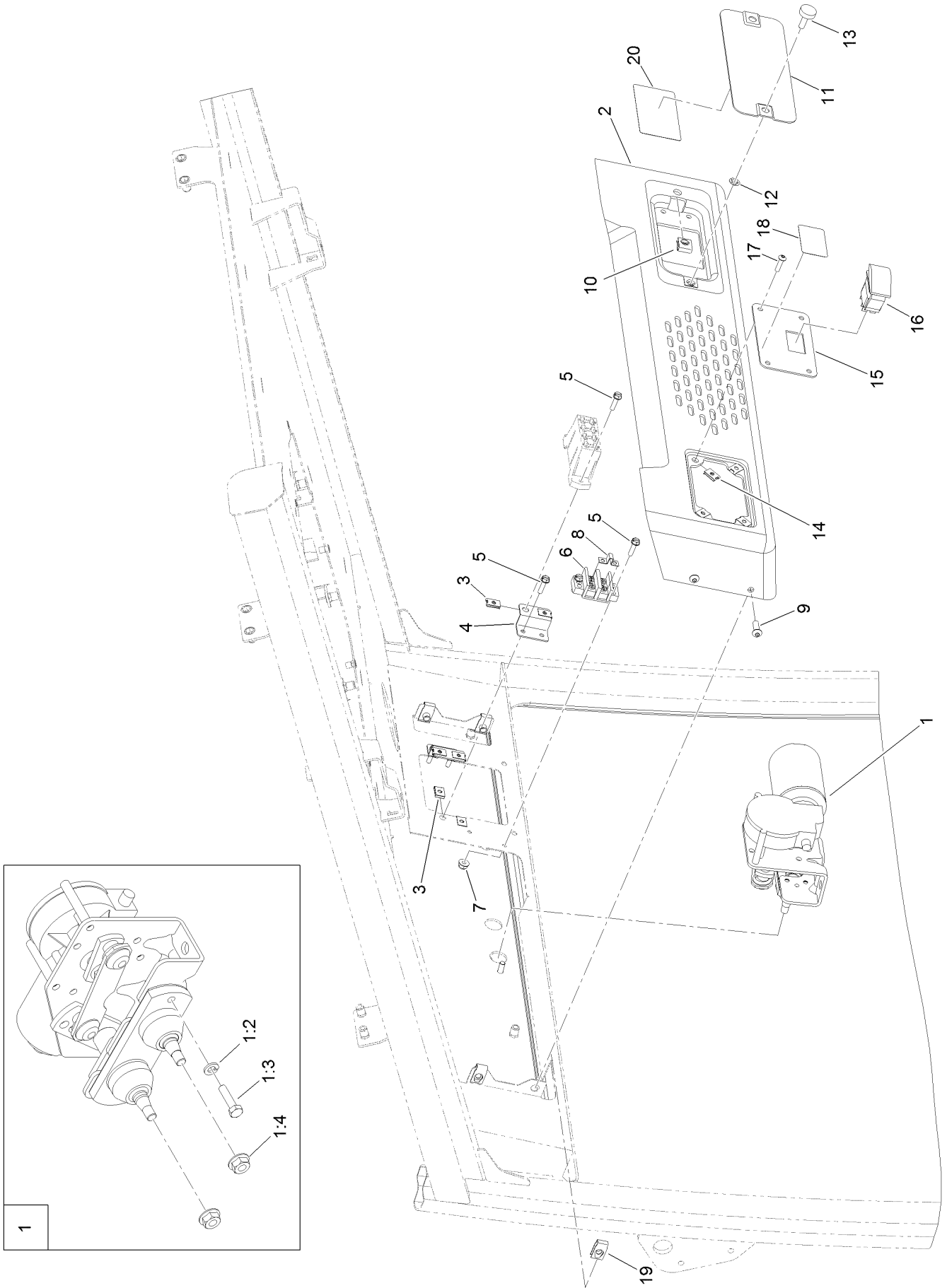
# Front and Rear Glass Assembly



## Front and Rear Glass Assembly (continued)

<i>Ref.</i>	<i>Part Number</i>	<i>Qty.</i>	<i>Description</i>	<i>Ref.</i>	<i>Part Number</i>	<i>Qty.</i>	<i>Description</i>
1	140-6575-03	2	Bracket-Cover	8	140-4432	2	Bracket-Mount, Window
2	139-2313-03	10	Bracket-Retainer	9	125-9982	4	Bushing-Flange
4	32105-15	26	Screw-HWH	10	125-9520	2	Screw-Shoulder, HSH
5	137-1209	1	Glass Windshield ASM	11	125-9676	2	Washer-Backup
5:2	139-2263	1	Trim-Seal, Windshield	12	119-4041	2	Nut-HF
6	139-1971	1	Rear Window ASM	13	3256-67	2	Washer
6:2	138-2895	1	Trim-Glass.Rear				

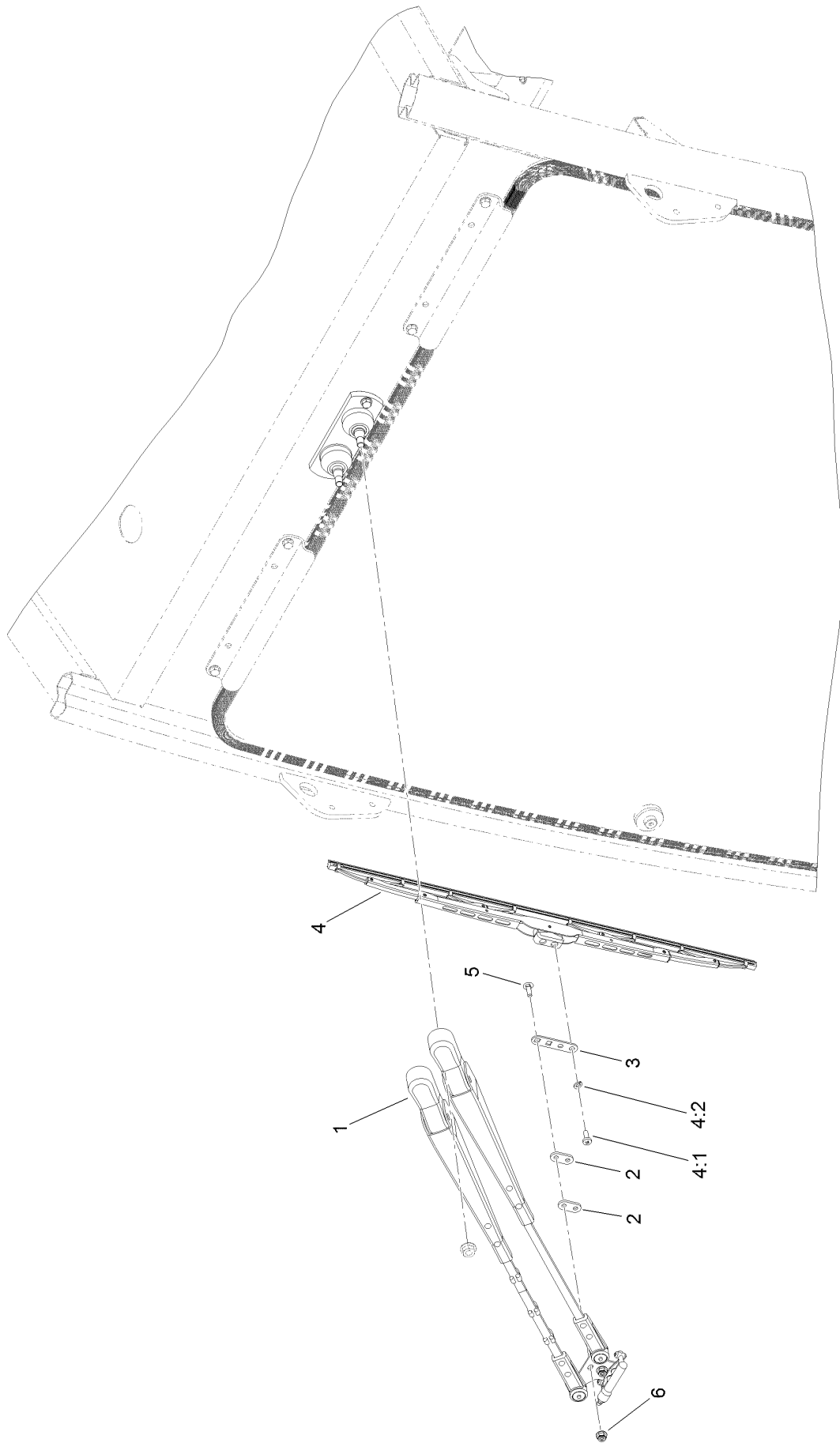
# Window Wiper System Assembly



## Window Wiper System Assembly (continued)

<i>Ref.</i>	<i>Part Number</i>	<i>Qty.</i>	<i>Description</i>	<i>Ref.</i>	<i>Part Number</i>	<i>Qty.</i>	<i>Description</i>
1	125-7452	1	Wiper Motor ASM	10	609900	2	Nut-Speed
1:2	3253-3	1	Washer-Lock	11	125-9603-03	1	Plate-Cover, Fuse
1:3	33113-025	1	Screw-HH	12	32115-15	4	Nut-Push
1:4	112-2844	2	Nut-HF	13	125-7438	2	Knob-Screw, Thumb
2	138-2764	1	Cover-Wiper	14	163-0363	4	Nut-U-Clip Speed Retainer
3	107-1013	6	Nut-Speed	15	139-2048-03	1	Plate-Mount, Switch
4	138-2822	2	Bracket-Fuse Block	16	119-8355	1	Switch-Rocker
5	32105-13	8	Screw-HWH	17	104-2408	4	Screw-HSBH
6	42862	1	Block-Terminal, Ground	18	125-9688	1	Decal-Washer
7	120-4578	2	Nut-HF	19	107069	4	Clip
8	42863	1	Strip-Jumper	20	140-6632	1	Decal-Fuse Panel
9	3274-69	4	Screw-HSBH				

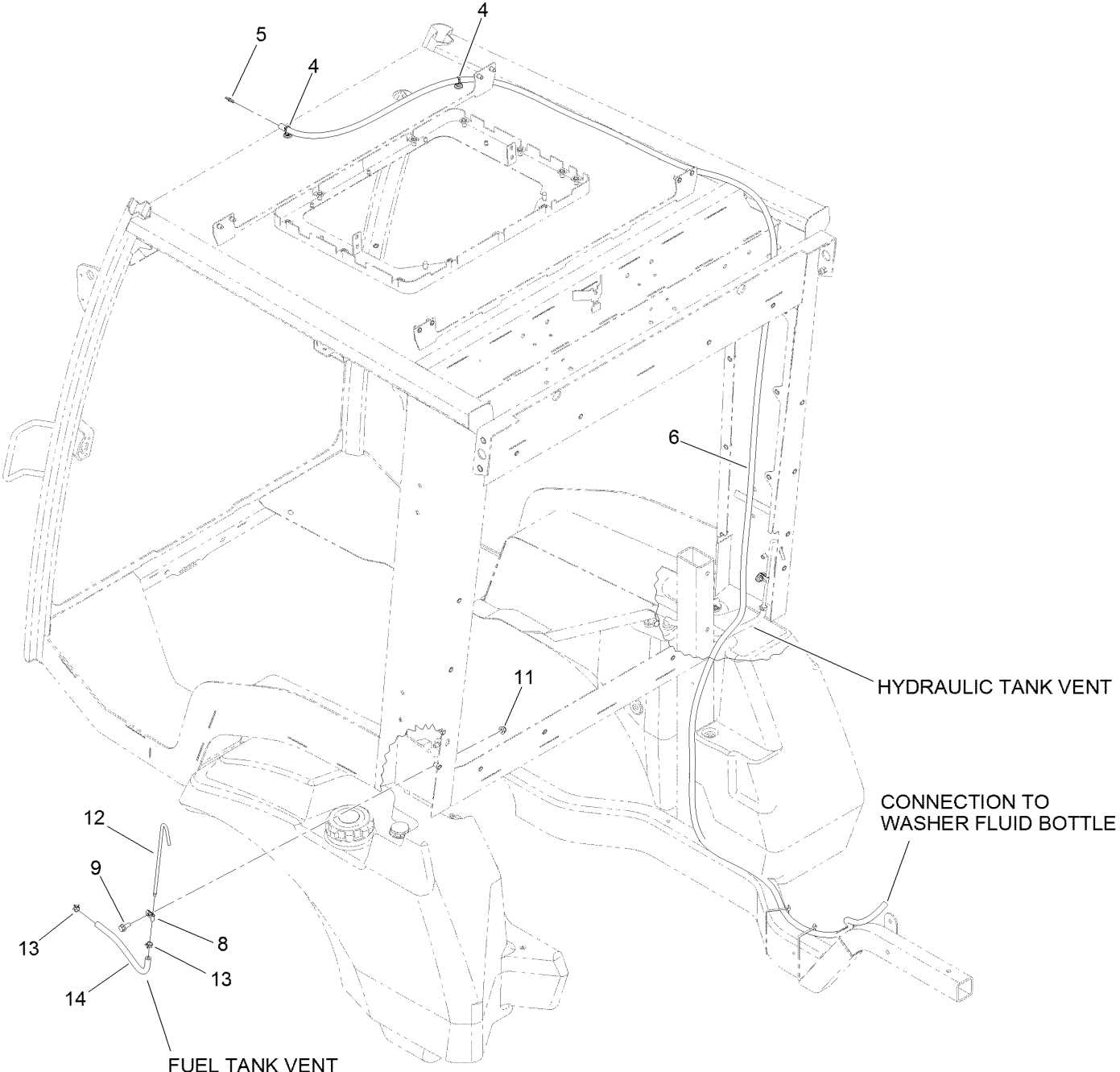
# Window Wiper Assembly



## Window Wiper Assembly (continued)

<i>Ref.</i>	<i>Part Number</i>	<i>Qty.</i>	<i>Description</i>	<i>Ref.</i>	<i>Part Number</i>	<i>Qty.</i>	<i>Description</i>
1	137-1114	1	Arm-Wiper	4:1	47-2830	2	Screw
2	139-2250	2	Mount-Wiper, Spacer	4:2	43-5920	2	Washer-Lock, Spring
3	140-6556	1	Mount-Wiper	5	3229-20	2	Screw-CARR
4	137-1127	1	Blade-Wiper	6	138-0719	2	Nut-HF

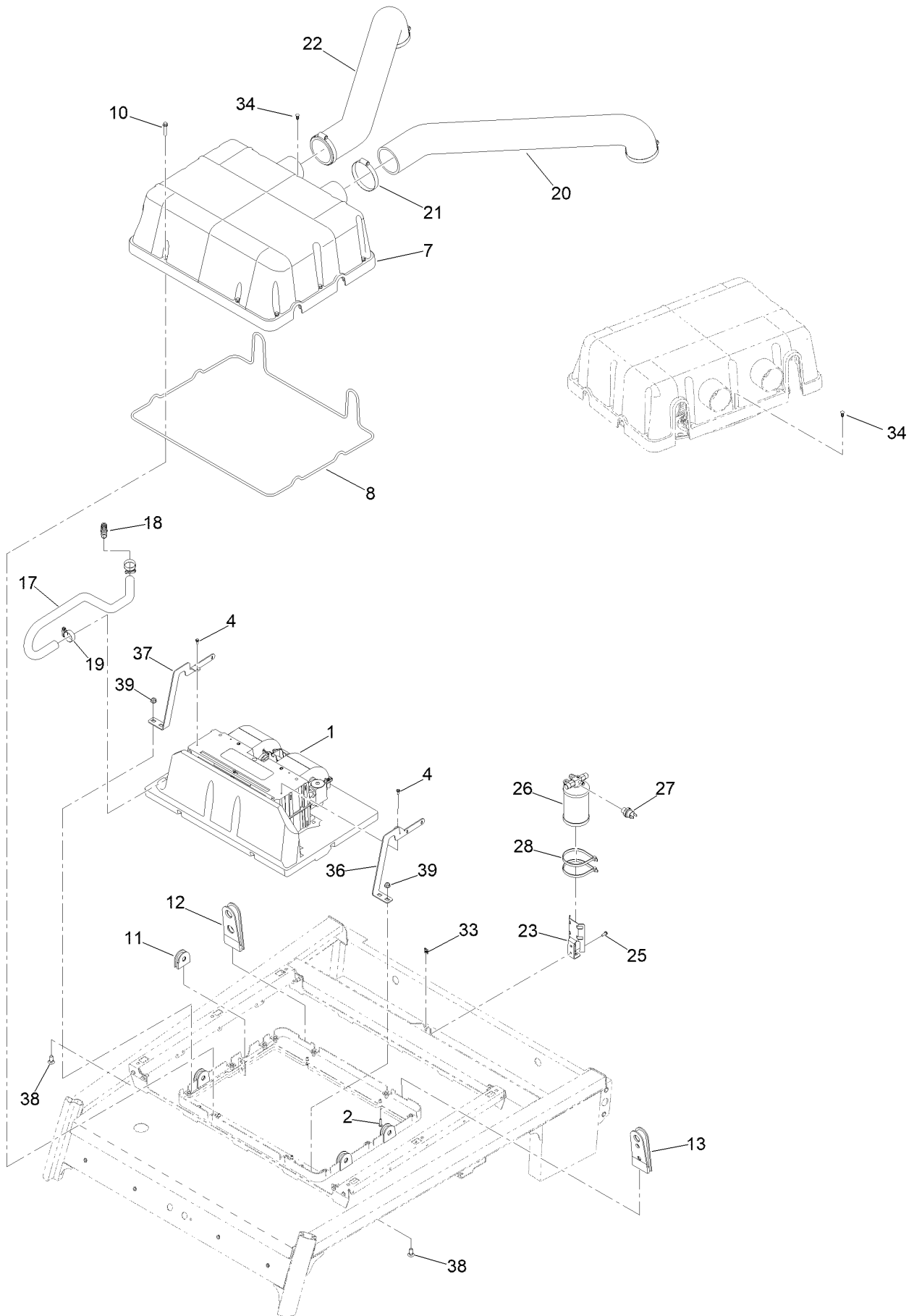
# Window Wiper Hose Assembly



## Window Wiper Hose Assembly (continued)

<i>Ref.</i>	<i>Part Number</i>	<i>Qty.</i>	<i>Description</i>	<i>Ref.</i>	<i>Part Number</i>	<i>Qty.</i>	<i>Description</i>
4	32180-139	2	Mount-Tie Wrap, Magnetic	11	119-4041	2	Nut-HF
5	127-9905	1	Fitting-Hose, Barb	12	139-6252	2	Tube-Vent
6	139-2175	1	Hose-Washer Fluid	13	2412-98	2	Clamp-Hose
8	2412-103	2	Clamp	14	139-6253	2	Hose-Fuel
9	3234-47	2	Screw-HHF				

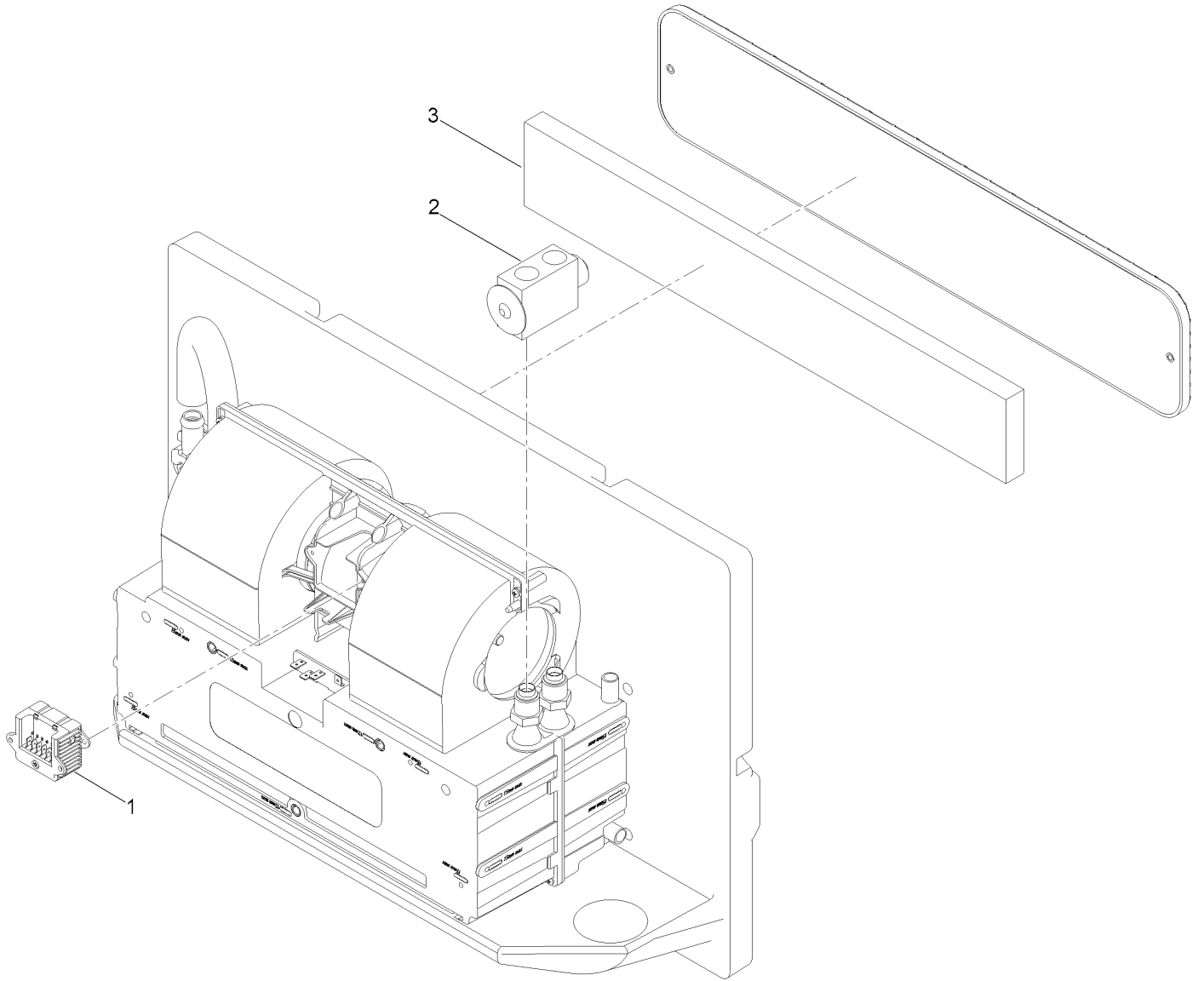
# Heater Assembly



## Heater Assembly (continued)

<i>Ref.</i>	<i>Part Number</i>	<i>Qty.</i>	<i>Description</i>	<i>Ref.</i>	<i>Part Number</i>	<i>Qty.</i>	<i>Description</i>
1	163-0361	1	Hvac ASM	21	2412-110	4	Clamp-Band/Screw
2	3250-27	4	Screw-PPH	22	139-1929	1	Hose-Intake, RH
4	117-5036	6	Screw-Plastic, HWH	23	138-2790	1	Bracket-Mount, Drier
7	138-2827	1	Cover-A/C	25	32105-23	2	Screw
8	138-2831	1	Seal-Cord, Foam	26	130-5999	1	Drier-Receiver
10	131-5927	11	Screw-HHF	27	119-4501	1	Switch-Function, Dual
11	140-6566	4	Plug - A/C Drain Line	28	3334-945	2	Tie-Cable
12	138-2816	1	Plug-Lines, Heat	33	163-0363	2	Nut-U-Clip Speed Retainer
13	140-1624	1	Plug-A/C Lines	34	114-4899	1	Rivet-Push
17	163-0405	1	Heater-Hose, Formed	36	163-0373-0P	1	Brkt-Support, Left
18	131-3373	1	Fitting-STR	37	163-0374-0P	1	Brkt-Support, Right
19	2412-129	2	Clamp-Hose	38	3230-1	4	Bolt-CARR
20	139-1928	1	Hose-Intake, LH	39	119-4041	4	Nut-HF

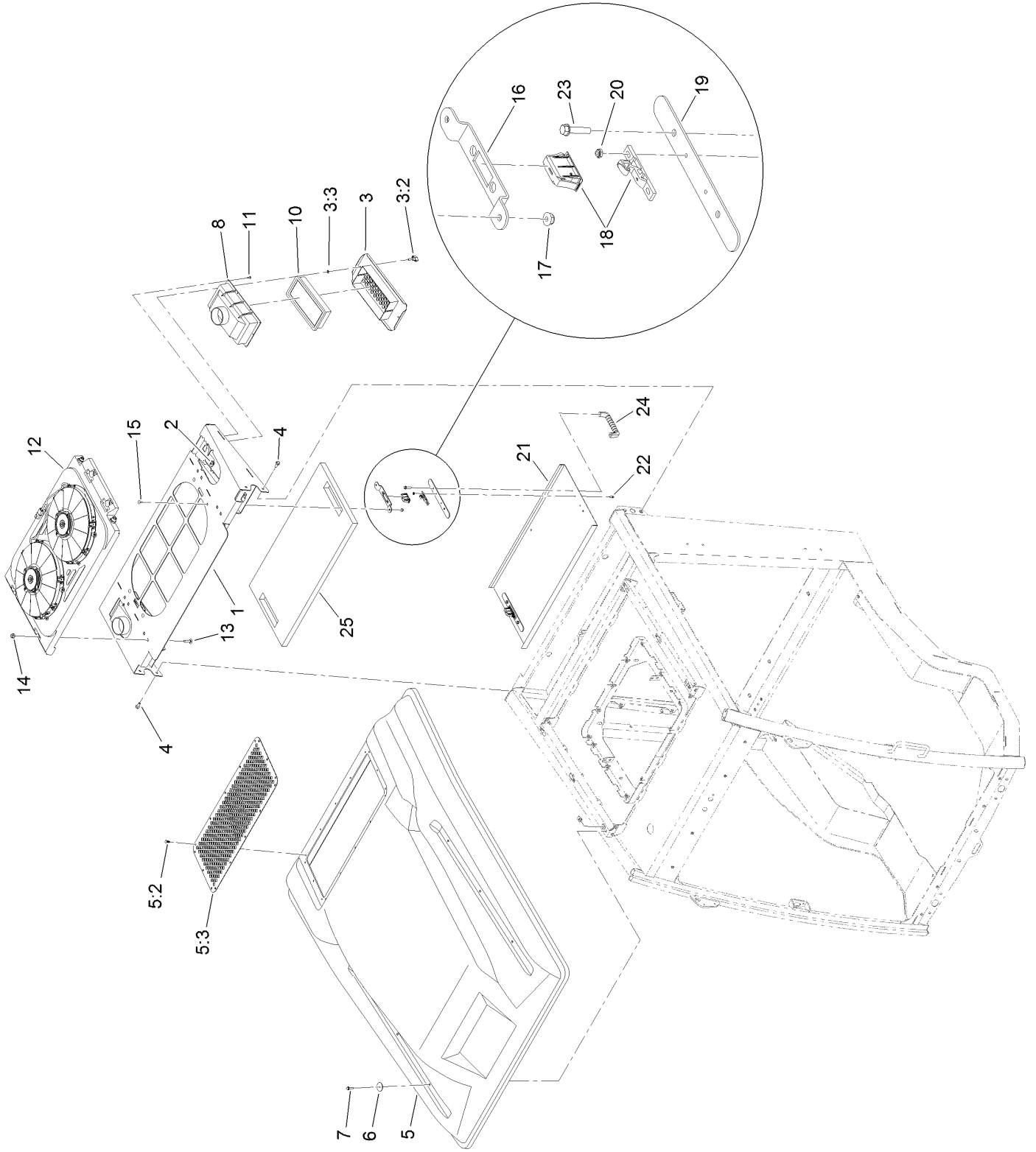
# HVAC Assembly No. 163-0361



## HVAC Assembly No. 163-0361 (continued)

<i>Ref.</i>	<i>Part Number</i>	<i>Qty.</i>	<i>Description</i>
1	138-2967	1	Thermostat-Resistor
2	164-3404	1	Expansion Valve
3	164-3414	1	Filter-Air, Cabin

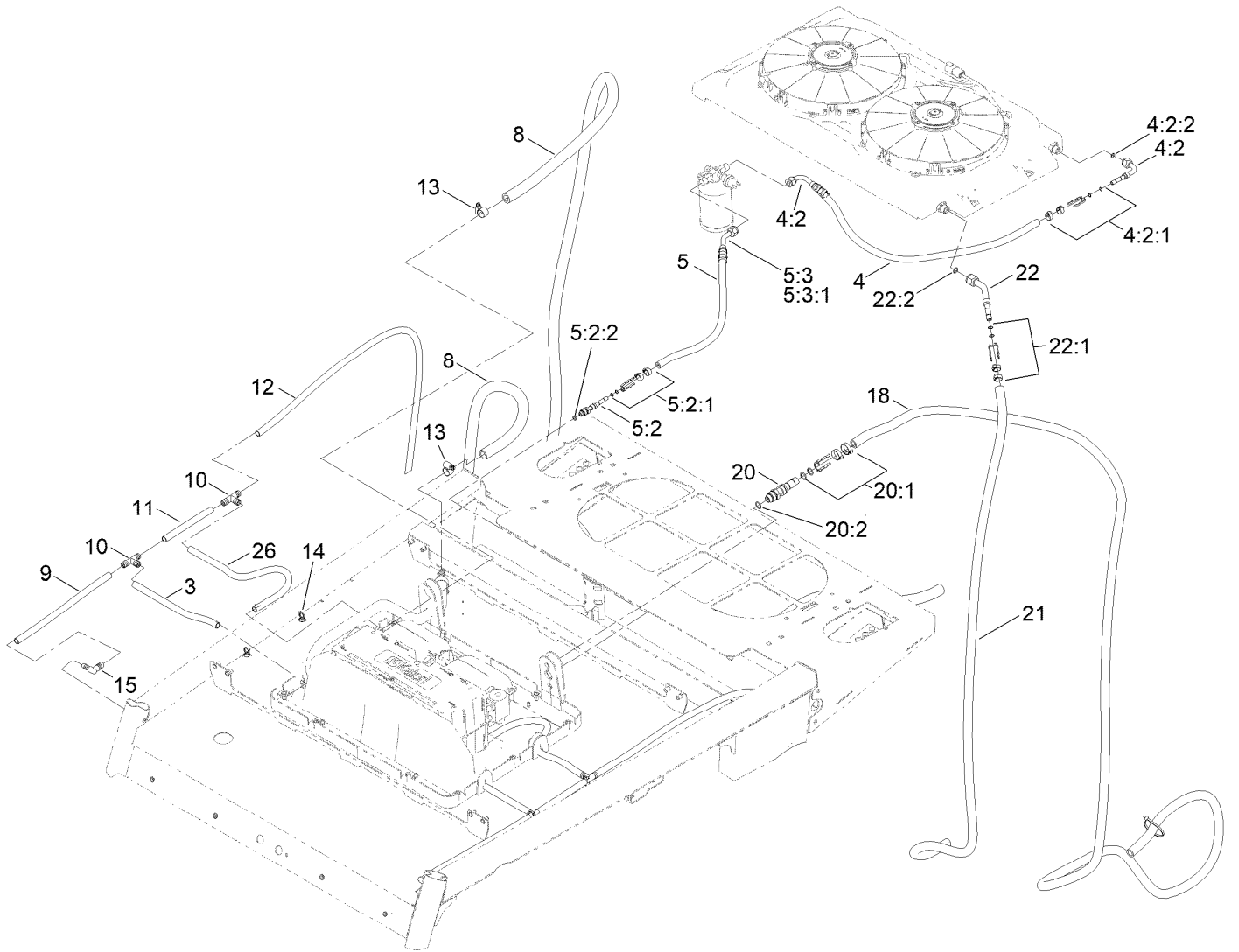
# Roof, Air Filter and Condenser Assembly



## Roof, Air Filter and Condenser Assembly (continued)

<i>Ref.</i>	<i>Part Number</i>	<i>Qty.</i>	<i>Description</i>	<i>Ref.</i>	<i>Part Number</i>	<i>Qty.</i>	<i>Description</i>
1	139-1958-03	1	Wing-Rear	12	138-2907	1	Condenser
2	107069	4	Clip	13	3231-28	4	Screw-CARR
3	137-1397	2	Filter Cover ASM	14	119-4042	4	Nut-HF, NI
3:2	126-5846	2	Knob-T	15	3229-11	4	Screw-CARR
3:3	32115-15	2	Nut-Push	16	138-2742	2	Mount-Latch
4	3234-47	4	Screw-HHF	17	104-7201	4	Nut-HF, NI
5	139-1898	1	Roof ASM	18	130-0643	2	Latch-Push To Close
5:2	138-2714-03	1	Screen-Roof	19	138-2744-03	2	Plate-Backing
5:3	114-4899	16	Rivet-Push	20	3296-54	4	Nut-Lock
6	136-7176	6	Washer-Fender	21	139-1923-03	1	Pre-Filter, Screen
7	120-4654	6	Screw-HHF	22	112-3169	4	Screw-HHF, Serrated
8	137-1281	2	Box-Intake, Air	23	137-3101	4	Screw-Plastic, HWH
10	121-8457	2	Filter-Air	24	65-5100	2	Handle-Door
11	3290-55	20	Rivet-Pop	25	139-1922	1	Filter-Pre-Scren

# Heat Hose Assembly

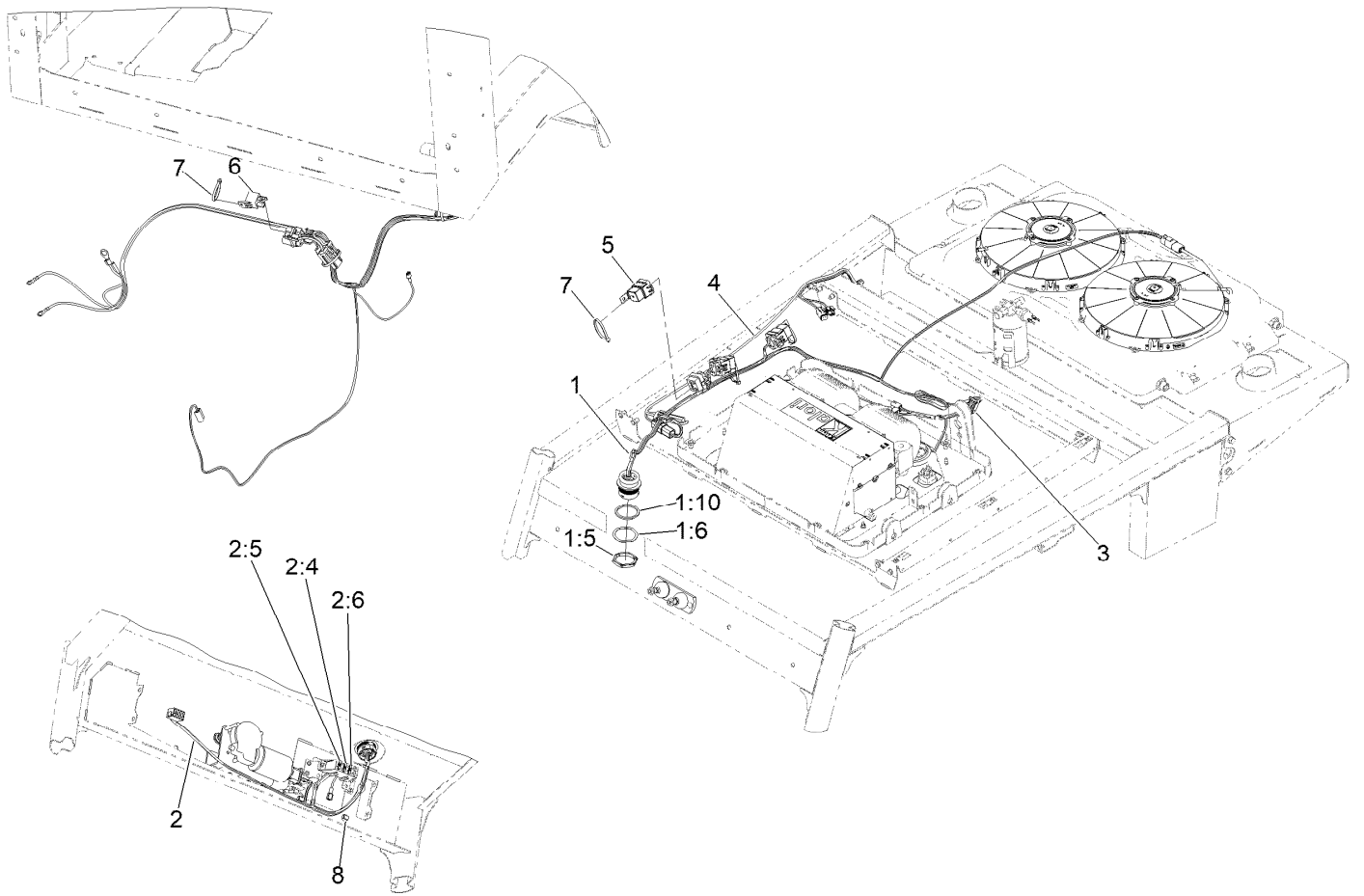


## Heat Hose Assembly (continued)

<i>Ref.</i>	<i>Part Number</i>	<i>Qty.</i>	<i>Description</i>	<i>Ref.</i>	<i>Part Number</i>	<i>Qty.</i>	<i>Description</i>
3	140-6573	2	Hose-Drain	12	139-1995	2	Hose-Drain
4	139-1983	1	Hose ASM-AC	13	2412-119	2	Clamp-Hose
4:2	130-5751	2	Fitting-Female, 90 DEG	14	32180-139	4	Mount-Tie Wrap, Magnetic
4:2:1	130-5772	1	Fitting Kit	15	139-2178	2	Fitting-Elbow 90
4:2:2	117-2778	1	O-Ring	18	139-1991	1	Hose-Refrigerant
5	139-1984	1	Hose ASM-AC, Drier	20	130-5944	1	Fitting-Male, Straight
5:2	138-2963	1	Fitting-Straight, Male	20:1	130-5775	1	Fitting Kit
5:2:1	130-5772	1	Fitting Kit	20:2	117-2780	1	O-Ring
5:2:2	117-2778	1	O-Ring	21	139-1992	1	Hose-Refrigerant
5:3	139-2251	1	Ftg-45 DEG, Female	22	139-2252	1	Ftg-45 DEG, Female
5:3:1	130-5772	1	Fitting Kit	22:1	130-5773	1	Fitting Kit
8	139-1987	2	Hose-Heater, 5/8	22:2	117-2779	1	O-Ring
9	139-1993	2	Hose-Drain	24	130-8304	4	Tape-Refrigeration ●
10	138-2751	4	Fitting-Tee, Barb	26	138-2705	2	Tube-Clear, 17 Inch
11	139-1994	2	Hose-Drain				

● Not illustrated

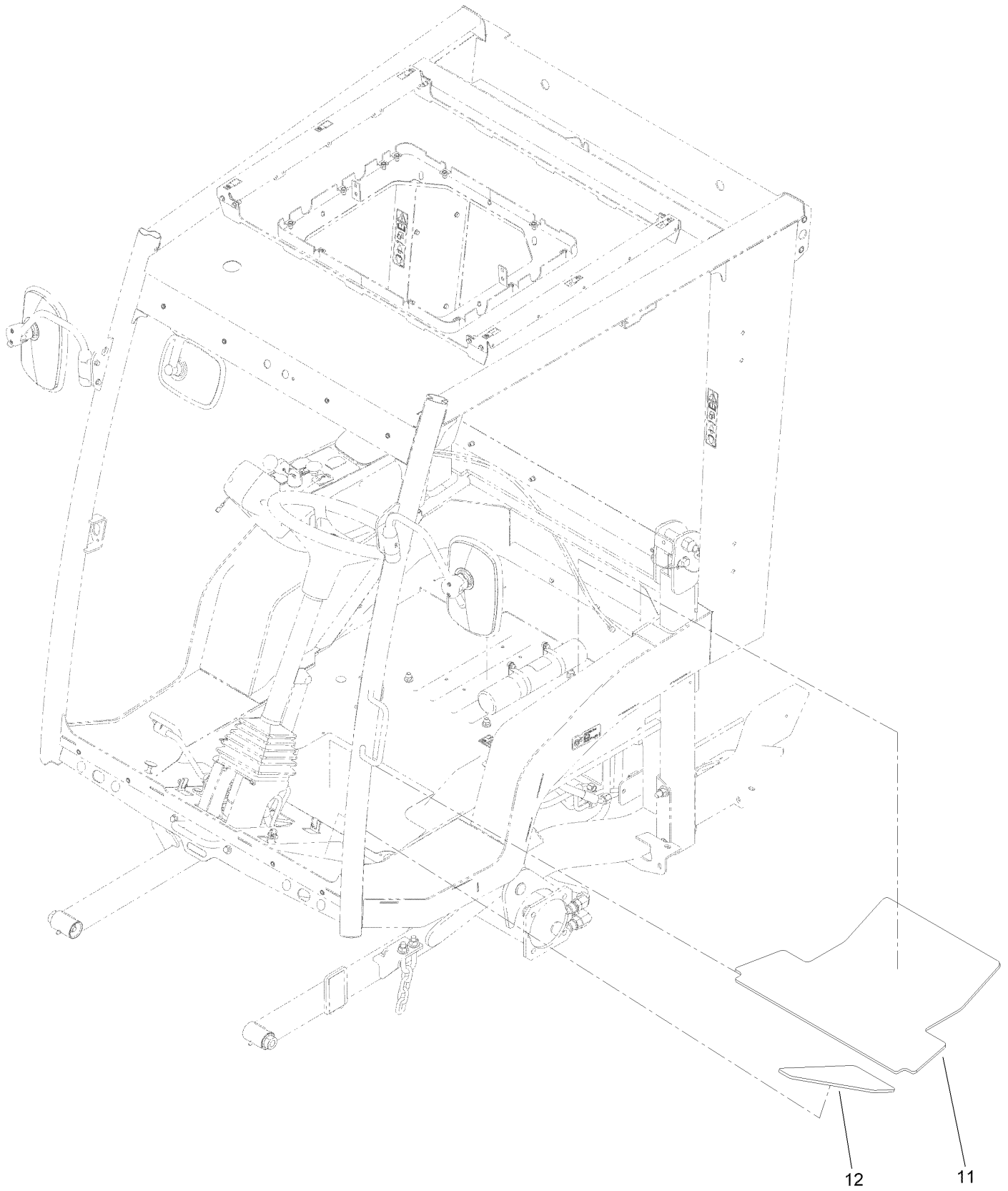
# Electrical Component Assembly



## Electrical Component Assembly (continued)

<i>Ref.</i>	<i>Part Number</i>	<i>Qty.</i>	<i>Description</i>	<i>Ref.</i>	<i>Part Number</i>	<i>Qty.</i>	<i>Description</i>
1	122-1245	1	Harness-Wire, A/C Roof	2:6	99-6124	1	Fuse-40 Amp
1:5	32180-135	1	Nut-Connector	3	122-4160	1	Harness-Wire, Adapter
1:6	32180-143	1	Washer-Lock	4	122-1435	1	Harness-Wire, Cab Power
1:10	161-7851	1	Gasket-Receptacle	5	99-7430	3	Relay-Mini
2	122-1660	1	Harness-Wire, A/C Panel	6	99-7435	1	Relay
2:4	109101	1	Fuse-Blade, 20 Amp	7	3290-378	6	Tie-Cable
2:5	109102	1	Fuse-Blade, 25 Amp	8	32180-030	2	Clip-Tie

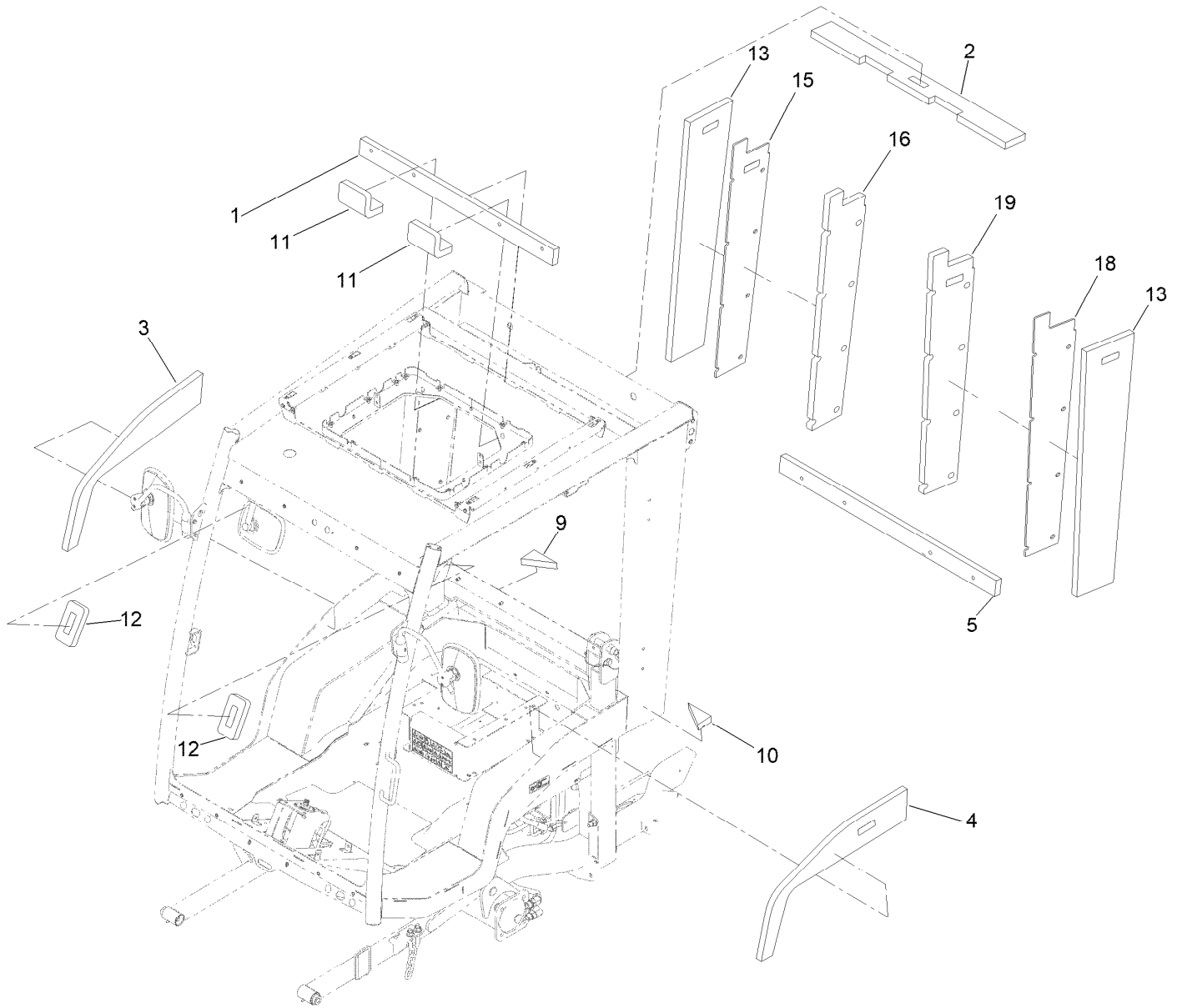
# Floor Sound Reduction Assembly



## Floor Sound Reduction Assembly (continued)

<i>Ref.</i>	<i>Part Number</i>	<i>Qty.</i>	<i>Description</i>
11	144-3233	1	Floor-Pad, Center
12	144-3234	1	Floor-Pad, Corner

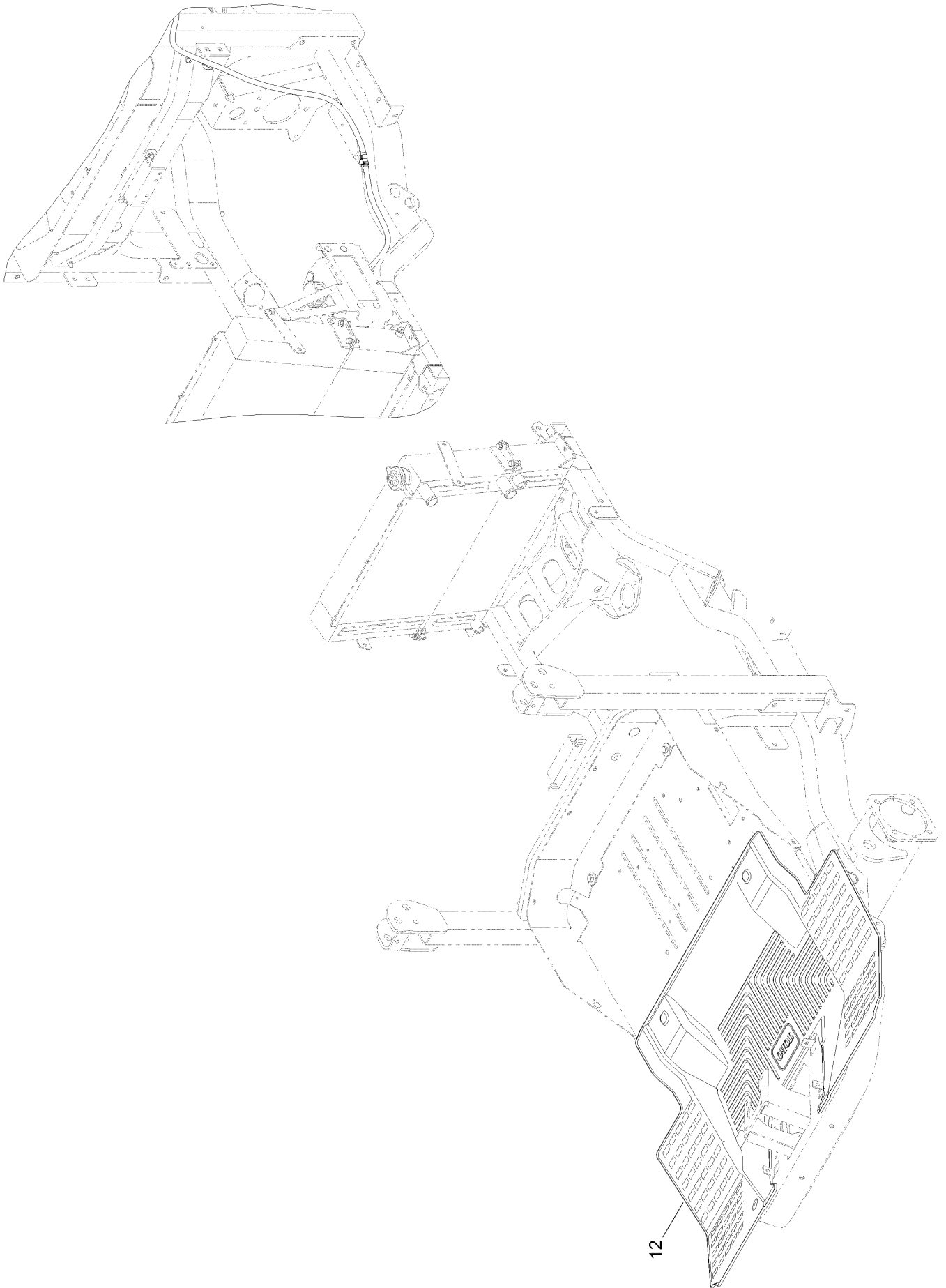
# Cab Sound Reduction Assembly



## Cab Sound Reduction Assembly (continued)

<i>Ref.</i>	<i>Part Number</i>	<i>Qty.</i>	<i>Description</i>	<i>Ref.</i>	<i>Part Number</i>	<i>Qty.</i>	<i>Description</i>
1	140-6886	1	Rear-Window	12	144-3238	2	Dash-Pad
2	140-6887	1	Rear-Ceiling	13	140-6884	2	Pillar-Pad, Rear
3	140-6888	1	Side-Door, RH	15	140-6737	1	Panel-Sound Dampening, RH
4	140-6889	1	Side-Door, LH	16	144-3235	1	Pillar-Pad, Rear RH
5	140-6890	1	Rear-Window	18	140-6738	1	Panel-Sound, Dampening LH
9	140-6894	1	Tile-Corner, RH	19	144-3236	1	Pillar-Pad, Rear LH
10	140-6895	1	Tile-Corner, LH				
11	144-3237	2	ROPS-Pad				

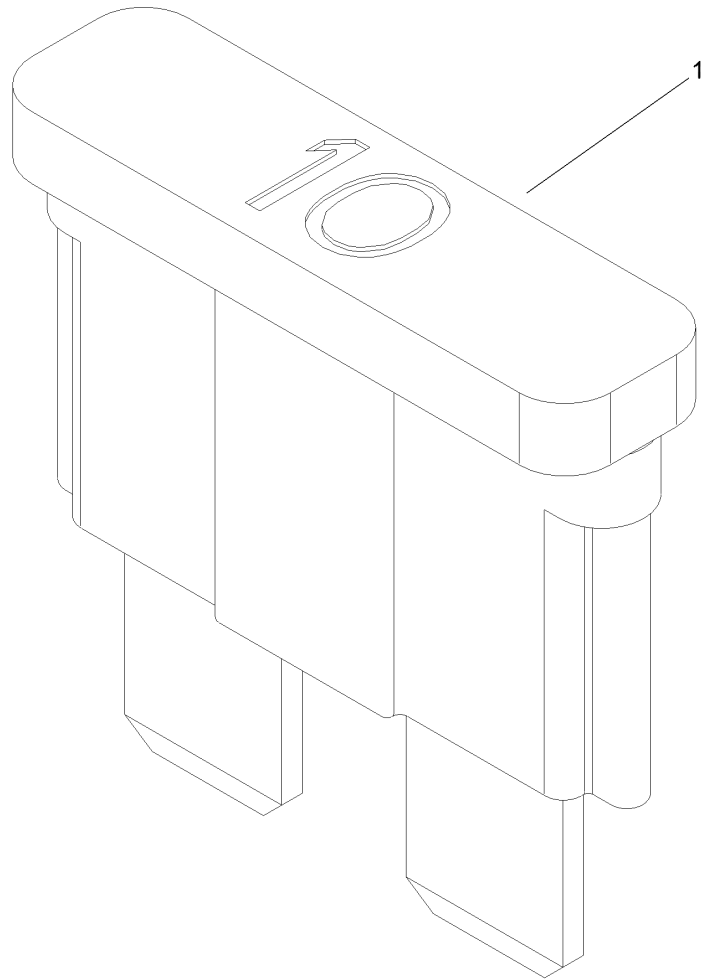
# Floormat Assembly



## Floormat Assembly (continued)

<i>Ref.</i>	<i>Part Number</i>	<i>Qty.</i>	<i>Description</i>
12	139-2026	1	Floormat-Platform

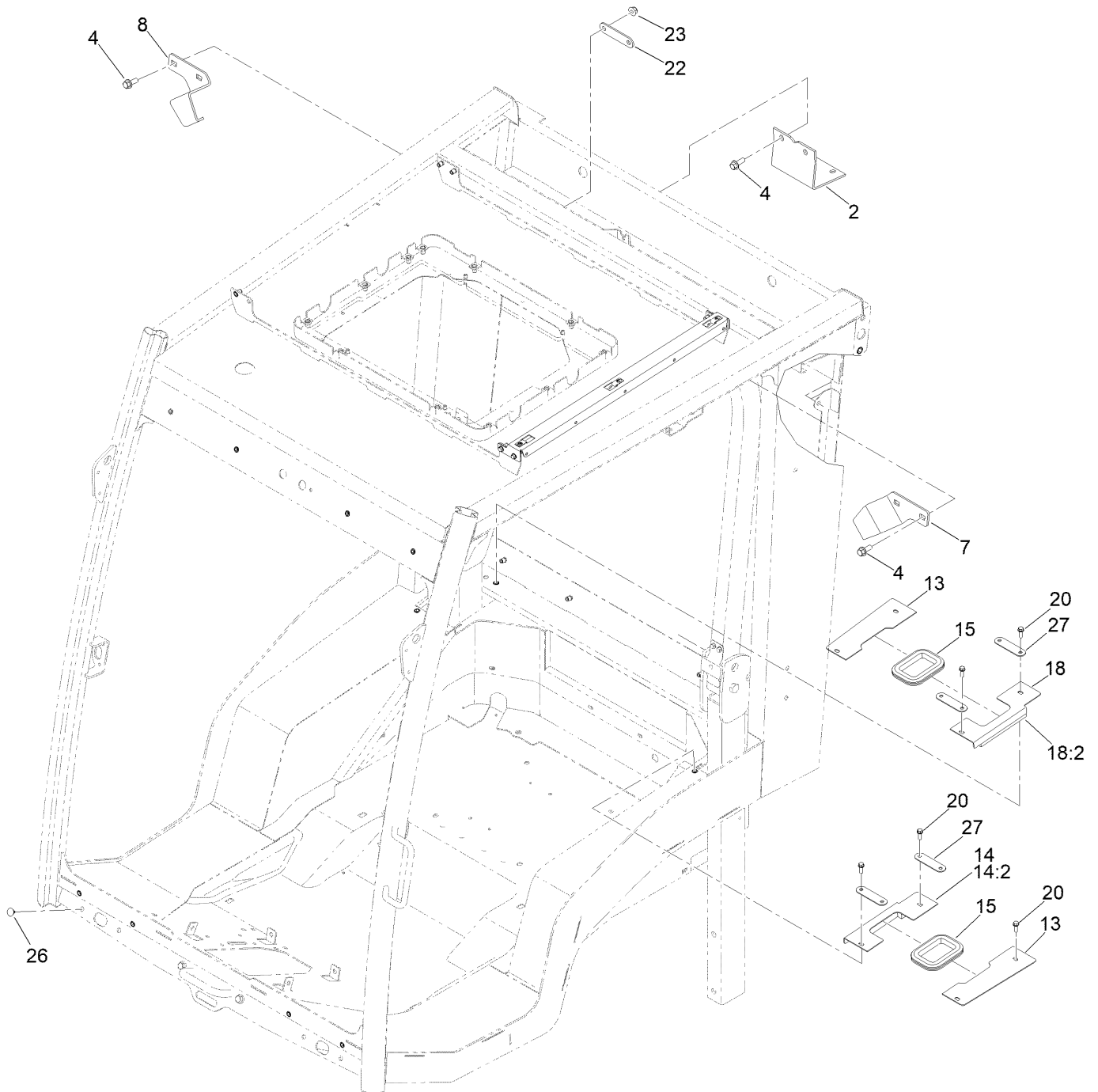
# Fuse Assembly



## Fuse Assembly (continued)

<i>Ref.</i>	<i>Part Number</i>	<i>Qty.</i>	<i>Description</i>
1	218-578	1	Fuse-Blade, 10 Amp

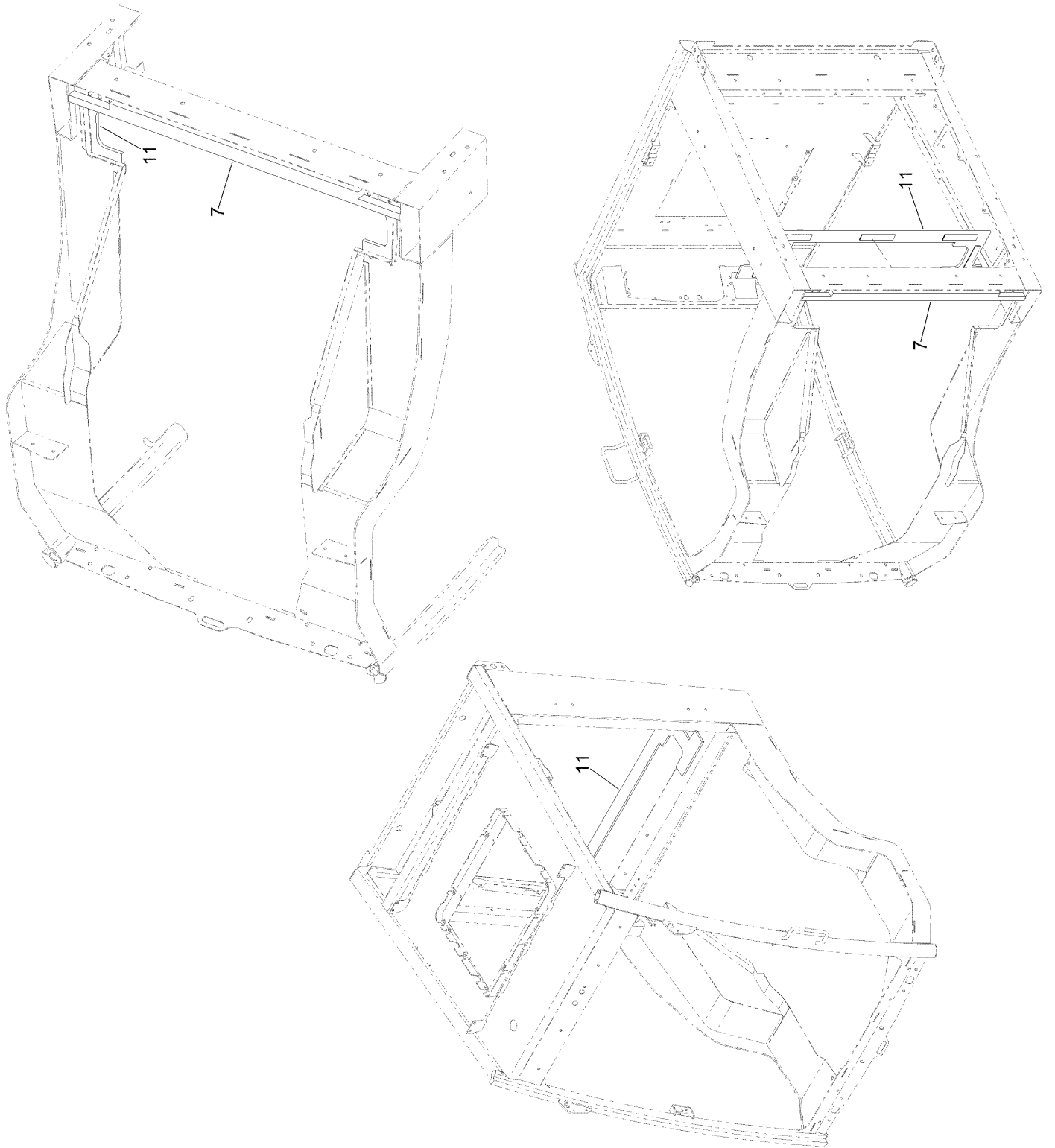
# Frame, Mount and Seals Assembly



## Frame, Mount and Seals Assembly (continued)

<i>Ref.</i>	<i>Part Number</i>	<i>Qty.</i>	<i>Description</i>	<i>Ref.</i>	<i>Part Number</i>	<i>Qty.</i>	<i>Description</i>
2	139-2043-03	2	Mount-ROPS	18	140-6542	1	RH Cover ASM
4	3234-42	12	Screw-HHF	18:2	139-2000	1	Seal-Foam
7	139-2172-03	1	Stop-ROPS, LH	20	32105-15	8	Screw-HWH
8	139-2174-03	1	Stop-ROPS, RH	22	139-2170	6	Brace-ROPS
13	140-6537-03	2	Cover-Retainer, Seal	23	119-4042	12	Nut-HF, NI
14	140-6541	1	LH Cover ASM	26	140-4433	4	Rivet-Push
14:2	139-2000	1	Seal-Foam	27	140-6540	4	Retainer-Cover
15	139-1959	2	Seal-Rollbar				

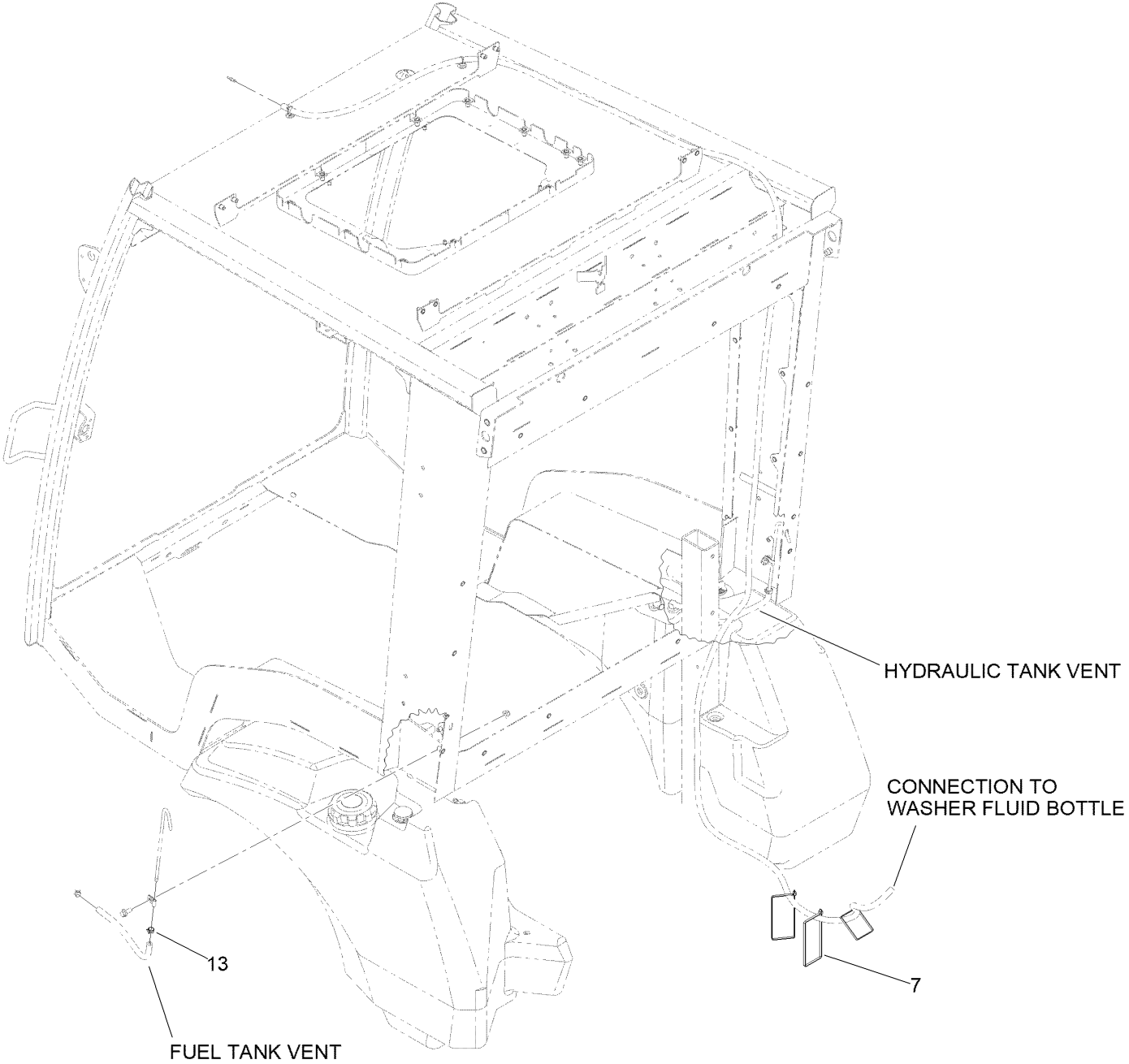
# Interior Foam and Carpet Assembly



## Interior Foam and Carpet Assembly (continued)

<i>Ref.</i>	<i>Part Number</i>	<i>Qty.</i>	<i>Description</i>
7	139-1999	1	Seal-Foam, Rear Shelf
11	163-0337	1	Rear-Panel, Foam

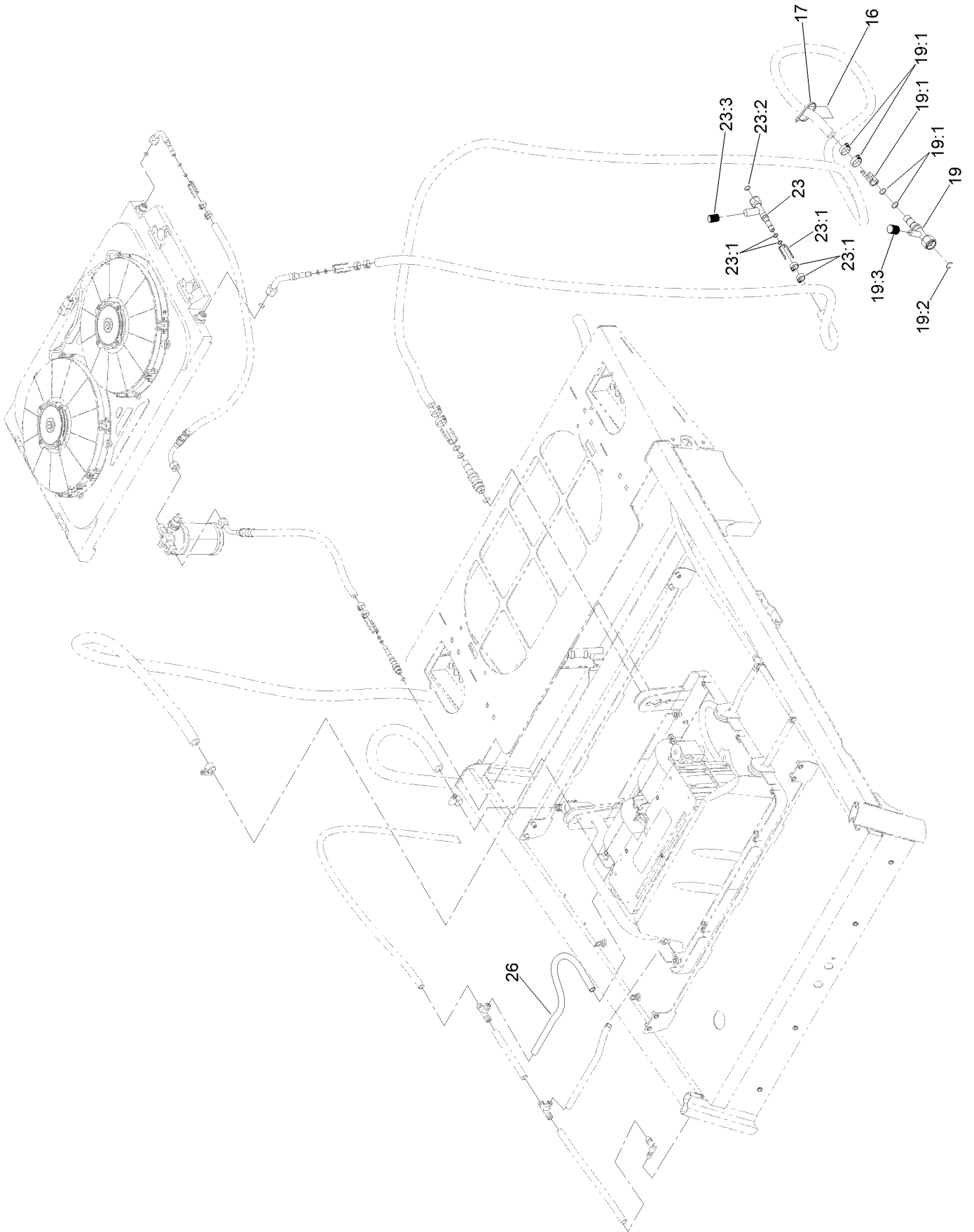
# Window Wiper System and Fuel Vent Assembly



# Window Wiper System and Fuel Vent Assembly (continued)

<i>Ref.</i>	<i>Part Number</i>	<i>Qty.</i>	<i>Description</i>
7	3290-379	3	Tie-Cable
13	2412-98	2	Clamp-Hose

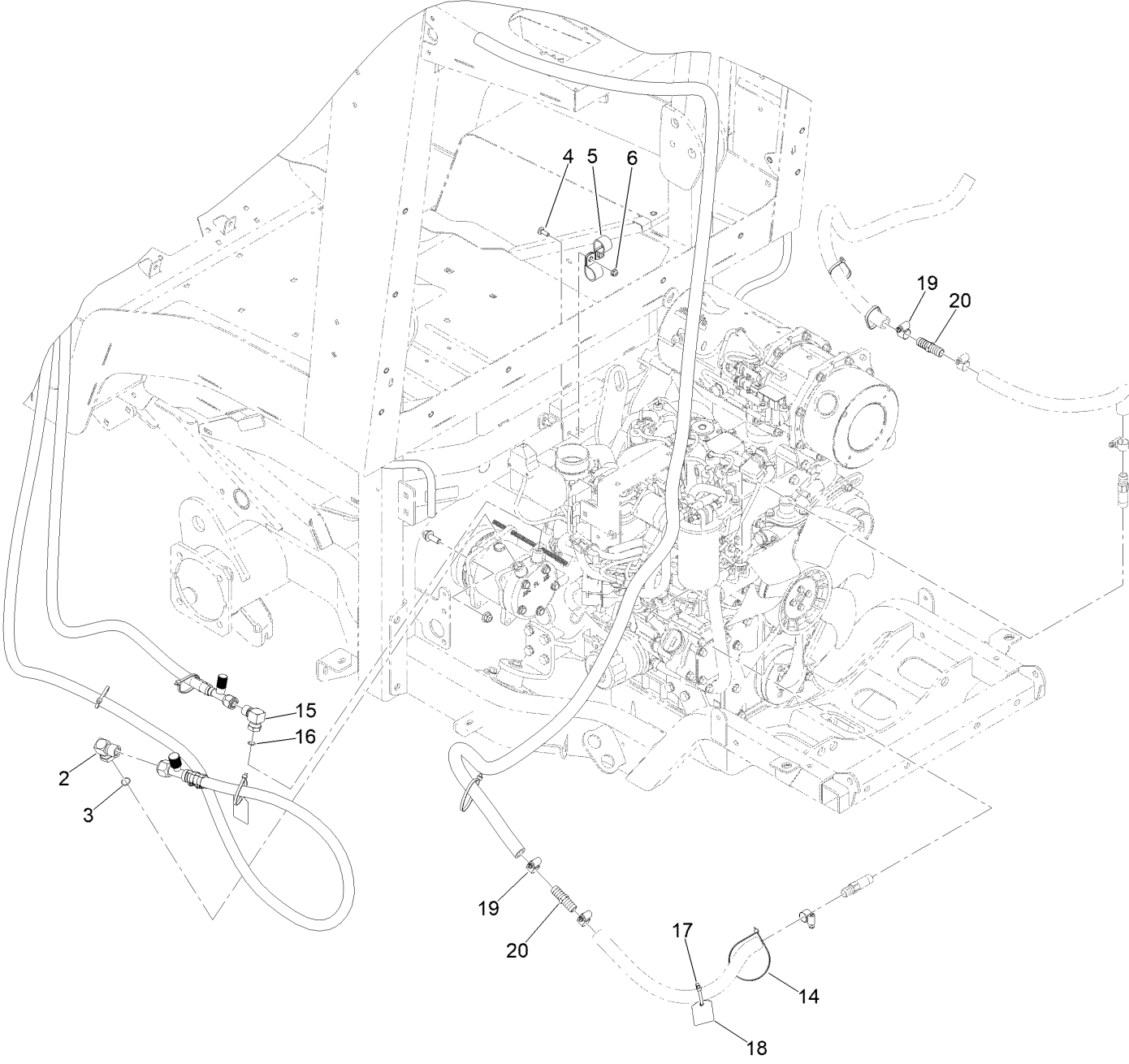
# Heat/AC Hose Assembly



## Heat/AC Hose Assembly (continued)

<i>Ref.</i>	<i>Part Number</i>	<i>Qty.</i>	<i>Description</i>	<i>Ref.</i>	<i>Part Number</i>	<i>Qty.</i>	<i>Description</i>
16	161-4907	1	Tag-Hang, Oil Refrigerant	23	130-5757	1	Fitting-Straight, Female
17	3290-378	1	Tie-Cable	23:1	130-5773	1	Fitting Kit
19	130-5755	1	Fitting-Female, Straight	23:2	117-2779	1	O-Ring
19:1	130-5775	1	Fitting Kit	23:3	117-2783	1	Cap-Side, High
19:2	117-2780	1	O-Ring	26	138-2705	2	Tube-Clear, 17 Inch
19:3	117-2784	1	Cap-Side, Low				

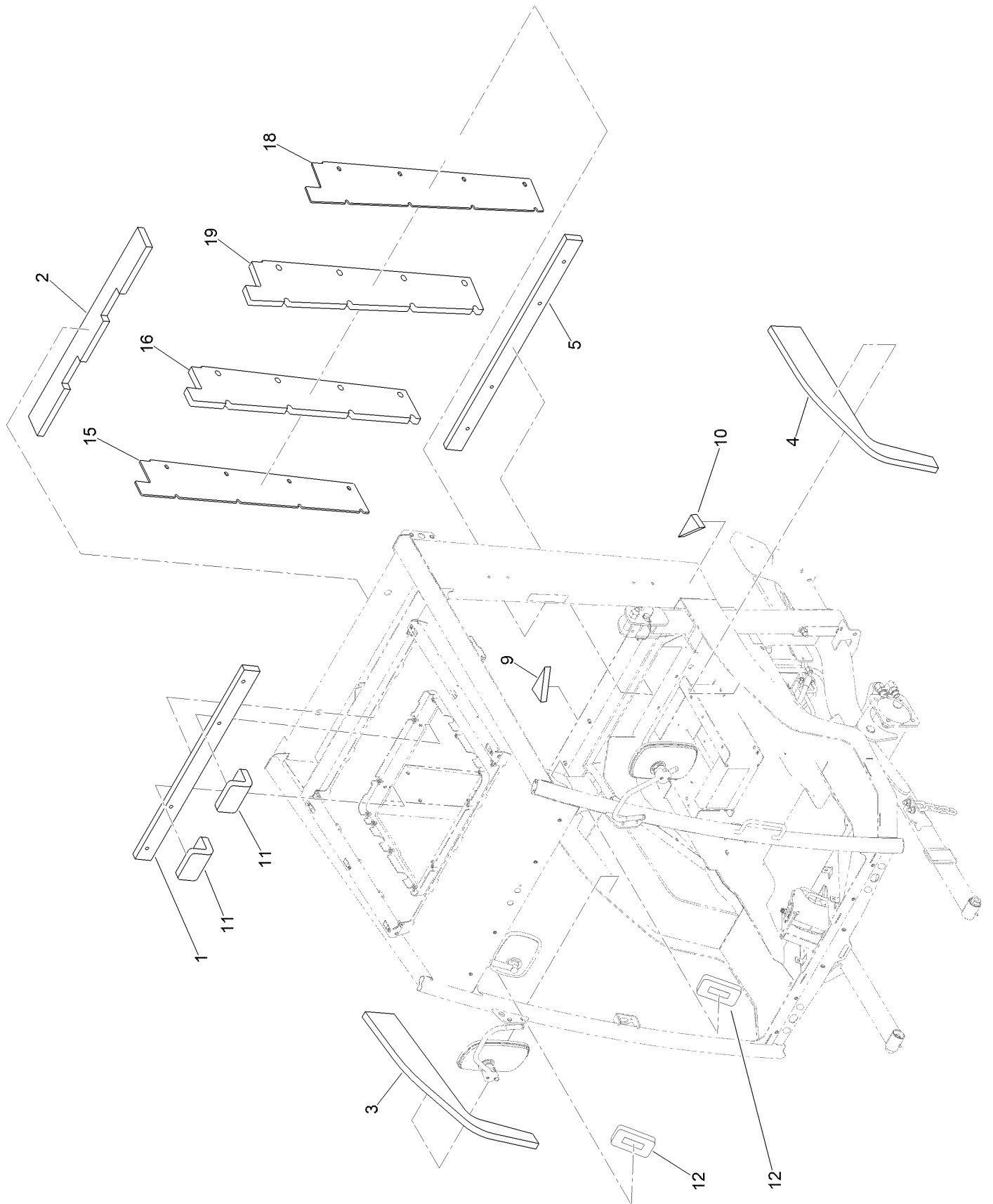
# Miscellaneous Heat/AC Parts Assembly



## Miscellaneous Heat/AC Parts Assembly (continued)

<i>Ref.</i>	<i>Part Number</i>	<i>Qty.</i>	<i>Description</i>	<i>Ref.</i>	<i>Part Number</i>	<i>Qty.</i>	<i>Description</i>
2	119-0128	1	Fitting-Elbow, 90 DEG	15	119-0129	1	Fitting-Elbow, 90 DEG
3	117-2780	1	O-Ring	16	117-2779	1	O-Ring
4	1-807512	2	Bolt-CARR	17	3290-378	1	Tie-Cable
5	2412-39	2	Clamp-R	18	140-4413	1	Tag-Hang, Coolant
6	104-7201	2	Nut-HF, NI	19	2412-119	2	Clamp-Hose
14	3290-379	6	Tie-Cable	20	131-3373	2	Fitting-STR

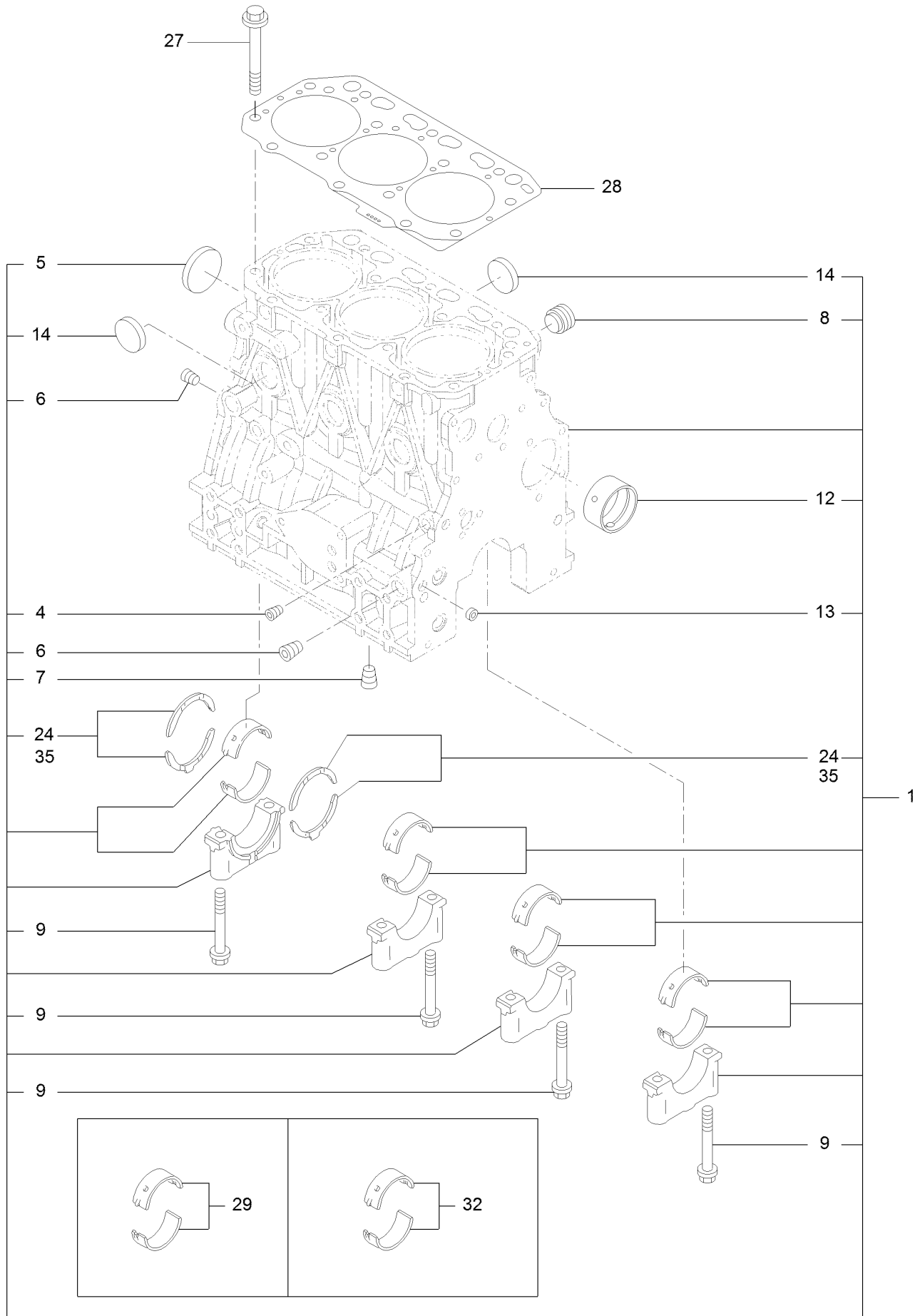
# Sound Reduction Assembly



## Sound Reduction Assembly (continued)

<i>Ref.</i>	<i>Part Number</i>	<i>Qty.</i>	<i>Description</i>	<i>Ref.</i>	<i>Part Number</i>	<i>Qty.</i>	<i>Description</i>
1	140-6886	1	Rear-Window	12	144-3238	2	Dash-Pad
2	140-6887	1	Rear-Ceiling	15	140-6737	1	Panel-Sound Dampening, RH
3	140-6888	1	Side-Door, RH	16	144-3235	1	Pillar-Pad, Rear RH
4	140-6889	1	Side-Door, LH	18	140-6738	1	Panel-Sound, Dampening LH
5	140-6890	1	Rear-Window	19	144-3236	1	Pillar-Pad, Rear LH
9	140-6894	1	Tile-Corner, RH				
10	140-6895	1	Tile-Corner, LH				
11	144-3237	2	ROPS-Pad				

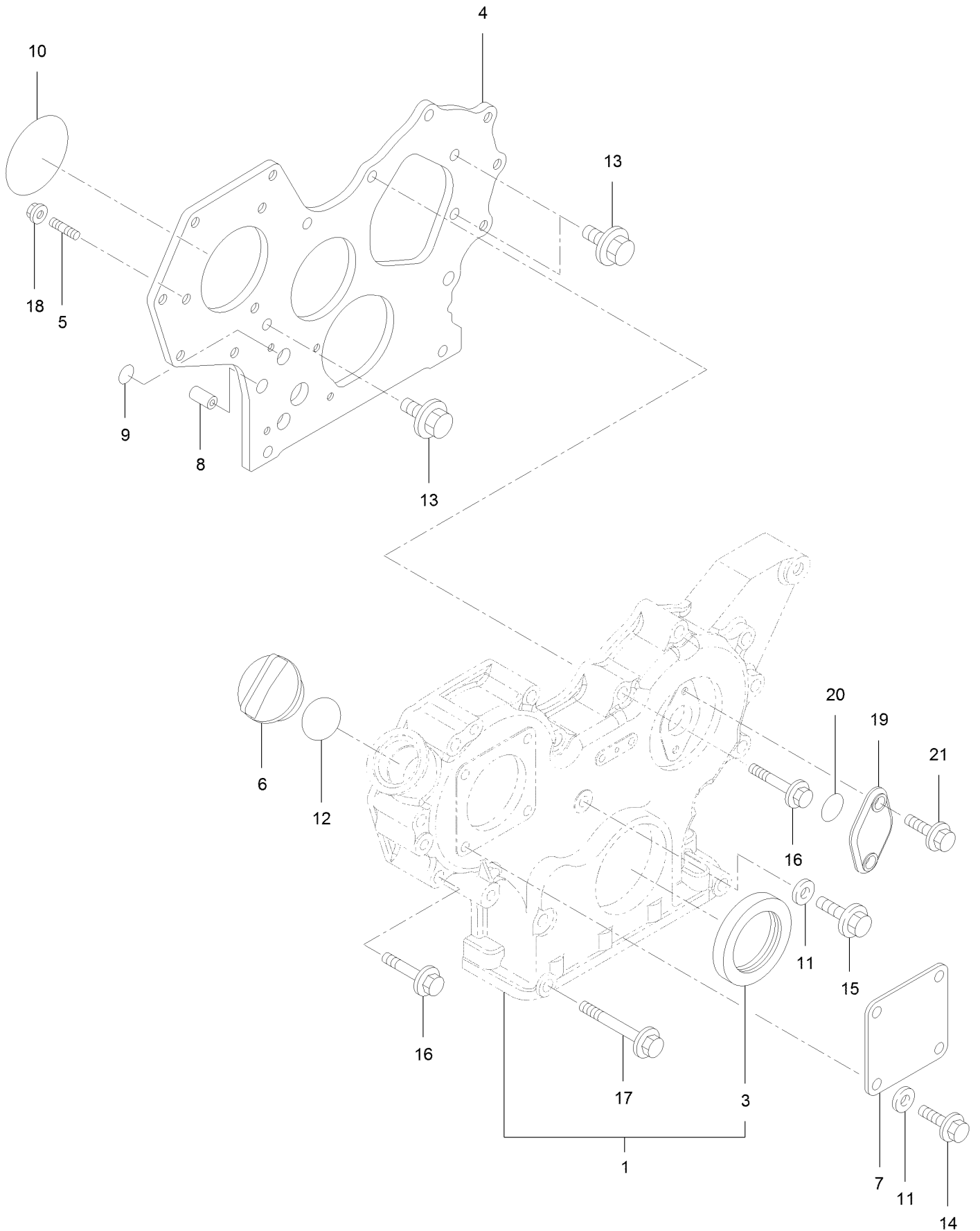
# Cylinder Block Assembly



## Cylinder Block Assembly (continued)

<i>Ref.</i>	<i>Part Number</i>	<i>Qty.</i>	<i>Description</i>	<i>Ref.</i>	<i>Part Number</i>	<i>Qty.</i>	<i>Description</i>
1	144-0580	1	Block Assy, Cylinder	13	125-7237	2	Plug
4	125-6969	1	Plug	14	140-7182	6	Plug 30
5	125-6980	1	Plug	24	125-7010	2	Metal-Thrust
6	125-6973	2	Plug	27	125-7006	14	Bolt
7	125-6973	1	Plug	28	144-0581	1	Gasket, Head
8	125-7170	1	Plug	29	125-6981	4	Metal-Main
9	125-7007	8	Bolt	32	125-7009	4	Metal-Main (0.25)
12	125-7108	1	Bushing	35	125-7011	1	Metal-Thrust (0.25)

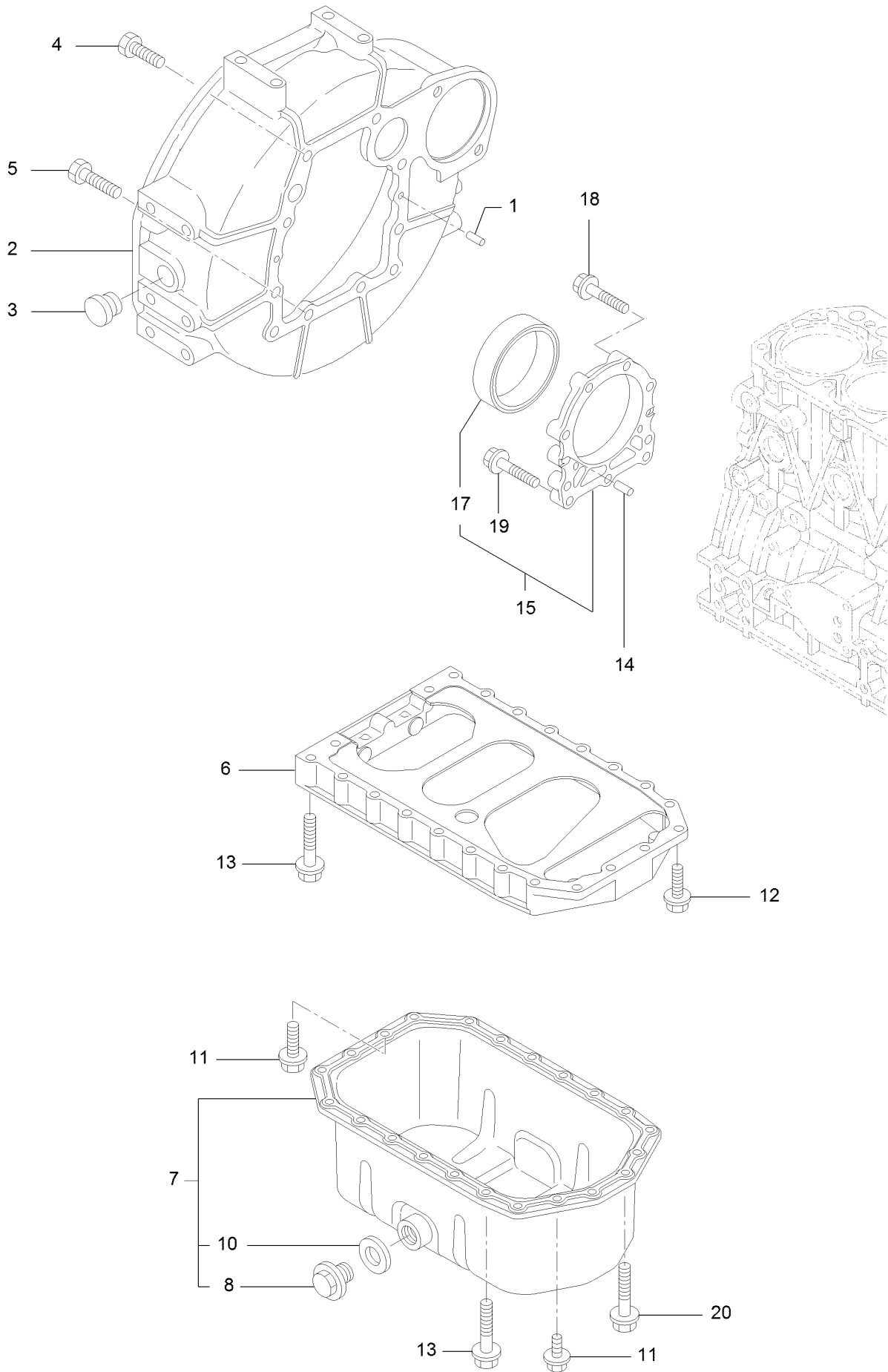
# Gear Housing Assembly



## Gear Housing Assembly (continued)

<i>Ref.</i>	<i>Part Number</i>	<i>Qty.</i>	<i>Description</i>	<i>Ref.</i>	<i>Part Number</i>	<i>Qty.</i>	<i>Description</i>
1	144-0582	1	Case Assy, Gear	12	125-7197	1	O-Ring
3	125-6944	1	Seal-Oil	13	125-7214	3	Bolt
4	125-6936	1	Flange	14	125-7214	4	Bolt
5	125-6919	3	Stud	15	125-7216	1	Bolt
6	125-6972	1	Cover-Filler	16	125-7221	12	Bolt
7	125-6977	1	Cover	17	125-7224	3	Bolt
8	125-7107	2	Pipe	18	125-7229	3	Nut
9	125-6909	2	O-Ring	19	125-6950	1	Cover
10	125-6957	1	O-Ring	20	125-7199	1	O-Ring
11	125-7174	5	Washer-Seal	21	125-7208	2	Bolt

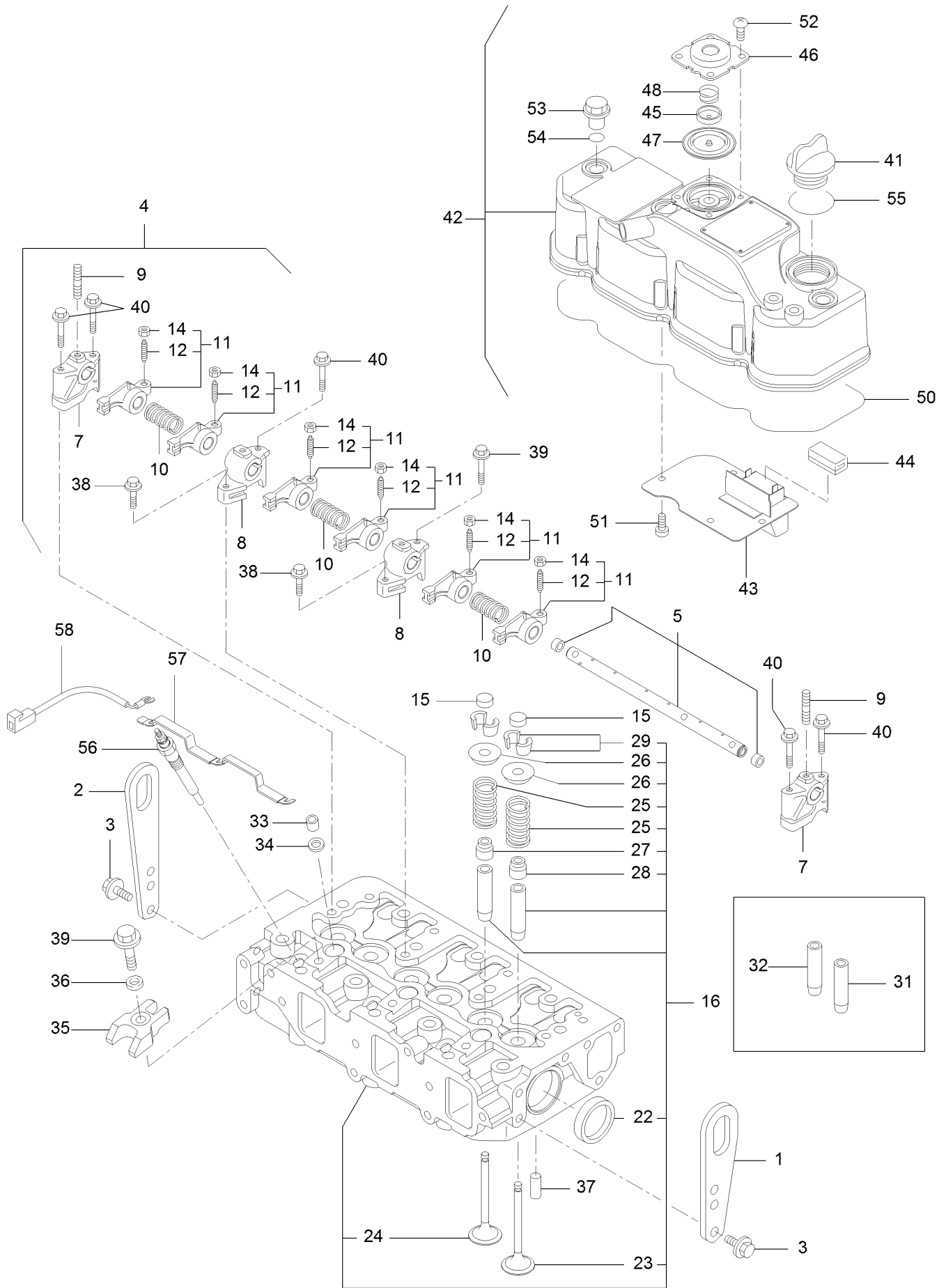
# Mounting Flange and Oil Sump Assembly



## Mounting Flange and Oil Sump Assembly (continued)

<i>Ref.</i>	<i>Part Number</i>	<i>Qty.</i>	<i>Description</i>	<i>Ref.</i>	<i>Part Number</i>	<i>Qty.</i>	<i>Description</i>
1	125-6995	2	Pin	11	125-7214	4	Bolt
2	125-7100	1	Housing	12	125-7215	2	Bolt
3	125-6910	1	Cap	13	125-7219	16	Bolt
4	125-7226	6	Bolt	14	125-6995	2	Pin
5	125-7227	4	Bolt	15	140-7173	1	Oil Seal Case ASM
6	127-3756	1	Spacer	17	140-7174	1	Seal-Oil
7	135-4010	1	Oil Pan ASM	18	125-7045	6	Bolt
8	125-6912	1	Plug-Drain	19	125-7217	3	Bolt
10	125-7177	1	Washer-Seal	20	125-7220	4	Bolt

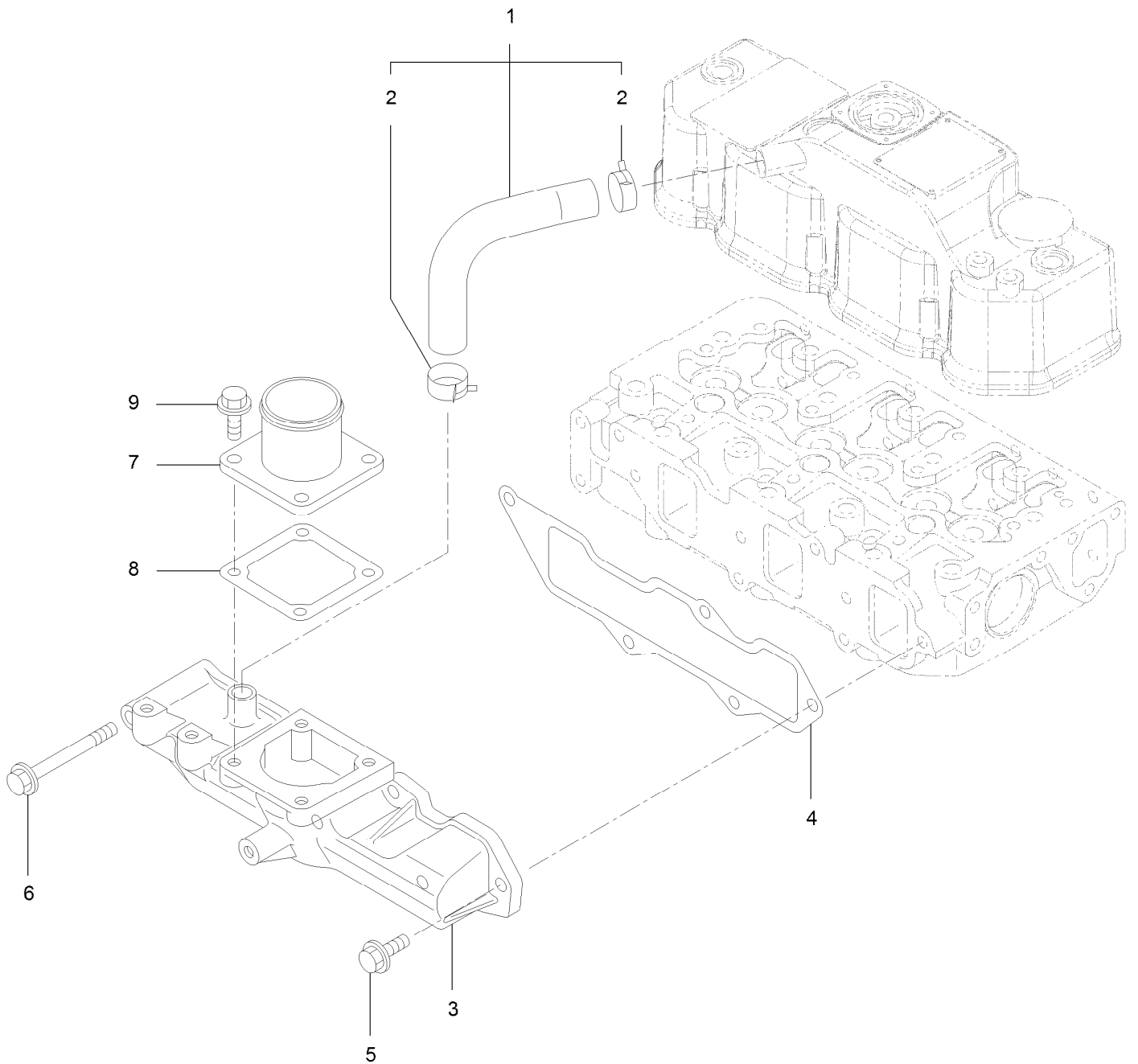
# Cylinder Head Assembly



## Cylinder Head Assembly (continued)

<i>Ref.</i>	<i>Part Number</i>	<i>Qty.</i>	<i>Description</i>	<i>Ref.</i>	<i>Part Number</i>	<i>Qty.</i>	<i>Description</i>
1	144-0583	1	Lifter, Engine	34	125-6911	3	Seat-Valve
2	125-7111	1	Lifter	35	144-0586	3	Retainer, Nozzle
3	125-7214	4	Bolt	36	127-2980	3	Washer-Injector
4	127-3757	1	Shaft ASM	37	125-7184	2	Pin-Spring
5	127-3758	1	Shaft	38	125-7215	2	Bolt
7	127-2974	2	Support	39	125-7217	3	Bolt
8	127-2975	2	Support	40	125-7220	6	Bolt
9	135-4012	3	Bolt,Stud	41	125-6972	1	Cover-Filler
10	127-2995	3	Spring	42	144-0587	1	Bonnet Assy
11	127-2989	6	Arm-Rocker	43	127-2988	1	Plate
12	125-7013	6	Screw-Adjust, Valve	44	125-7012	1	Baffle
14	125-7014	6	Nut	45	135-4089	1	Plate-Diaphragm
15	127-2996	6	Cap-Valve	46	144-0588	1	Cover, Diaphragm
16	144-0584	1	Head Assy, Cylinder	47	144-0589	1	Diaphragm, Breather
22	125-7240	2	Plug	48	135-4092	1	Spring-Diaphragm
23	127-2990	3	Valve	50	144-0590	1	Gasket, Bonnet
24	127-4710	3	Valve	51	125-7186	4	Screw
25	127-3012	6	Spring	52	125-7186	4	Screw
26	127-3013	6	Retainer-Spring	53	125-6974	3	Knob
27	144-0585	3	Seal, Valve Stem	54	138-7829	3	O-Ring
28	127-2986	3	Seal-Stem, Valve	55	125-7197	1	O-Ring
29	127-3186	6	Pin-Cotter	56	127-2991	3	Plug-Glow
31	127-2979	3	Guide	57	144-0591	1	Connector, Glow Plug
32	127-2997	3	Guide-Valve	58	131-2704	1	Harness-Wire
33	125-6921	3	Protector				

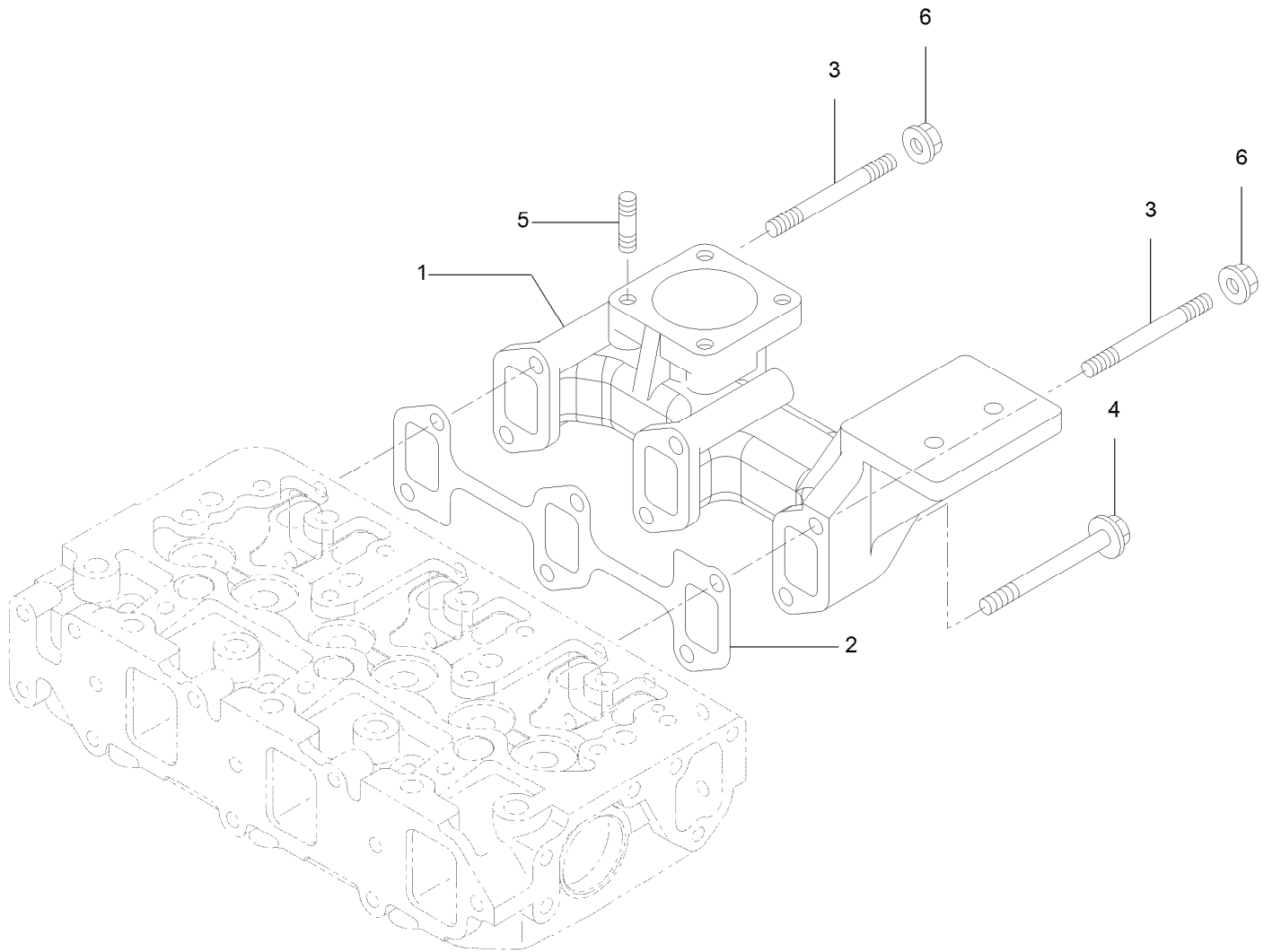
# Suction Manifold Assembly



## Suction Manifold Assembly (continued)

<i>Ref.</i>	<i>Part Number</i>	<i>Qty.</i>	<i>Description</i>	<i>Ref.</i>	<i>Part Number</i>	<i>Qty.</i>	<i>Description</i>
1	127-4704	1	Pipe	6	125-7223	1	Bolt
2	125-7040	2	Clip-Hose	7	144-0594	1	Joint, Manifold
3	144-0592	1	Manifold, Intake	8	125-7028	1	Gasket
4	144-0593	1	Gasket, Manifold	9	125-7595	4	Bolt
5	125-7595	4	Bolt				

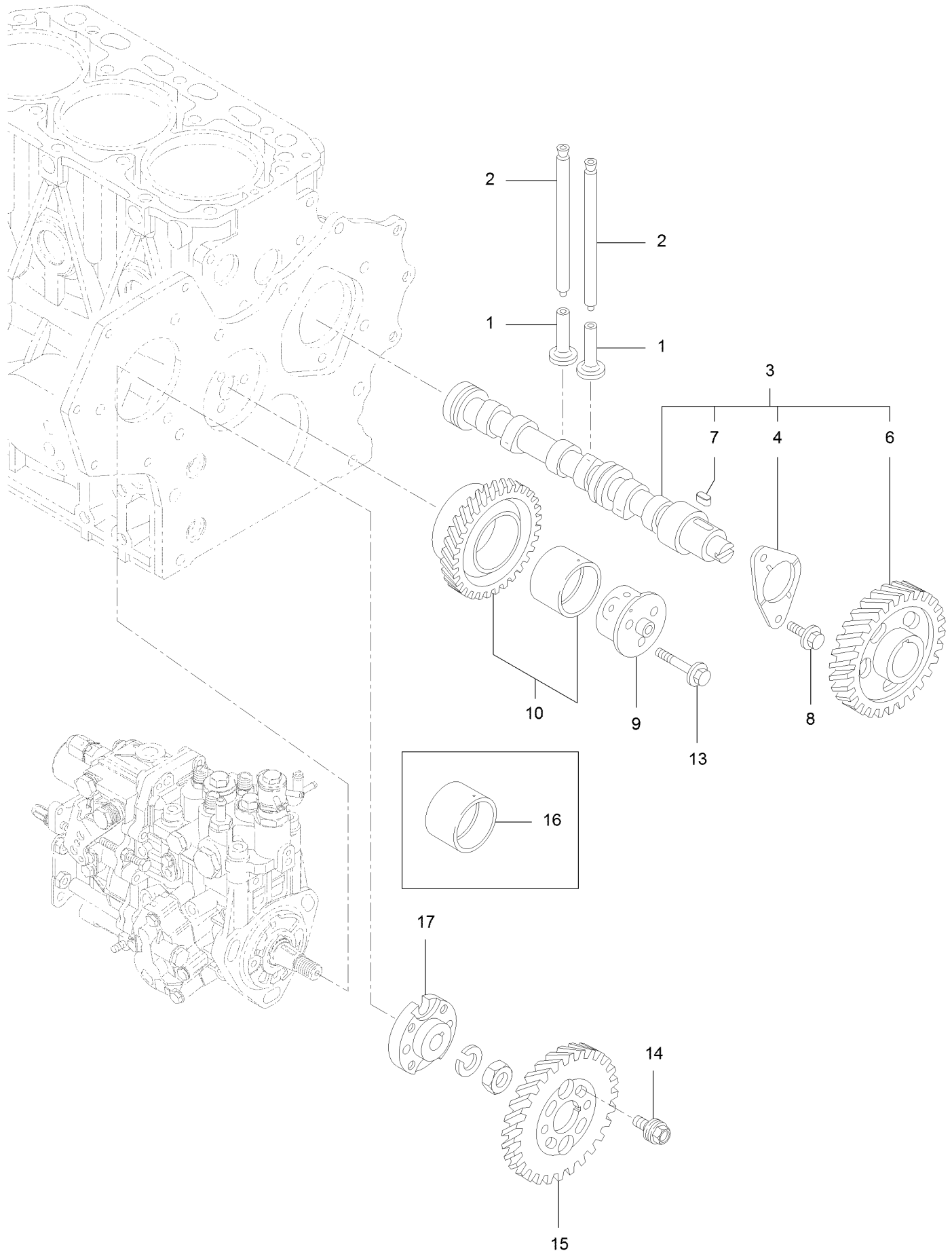
# Exhaust Manifold Assembly



## Exhaust Manifold Assembly (continued)

<i>Ref.</i>	<i>Part Number</i>	<i>Qty.</i>	<i>Description</i>	<i>Ref.</i>	<i>Part Number</i>	<i>Qty.</i>	<i>Description</i>
1	144-0595	1	Manifold, Exhaust	4	144-0598	4	Bolt, M8X80 10.9T
2	144-0596	1	Gasket, Manifold	5	125-6906	4	Stud
3	144-0597	2	Stud, M8X80	6	125-7229	2	Nut

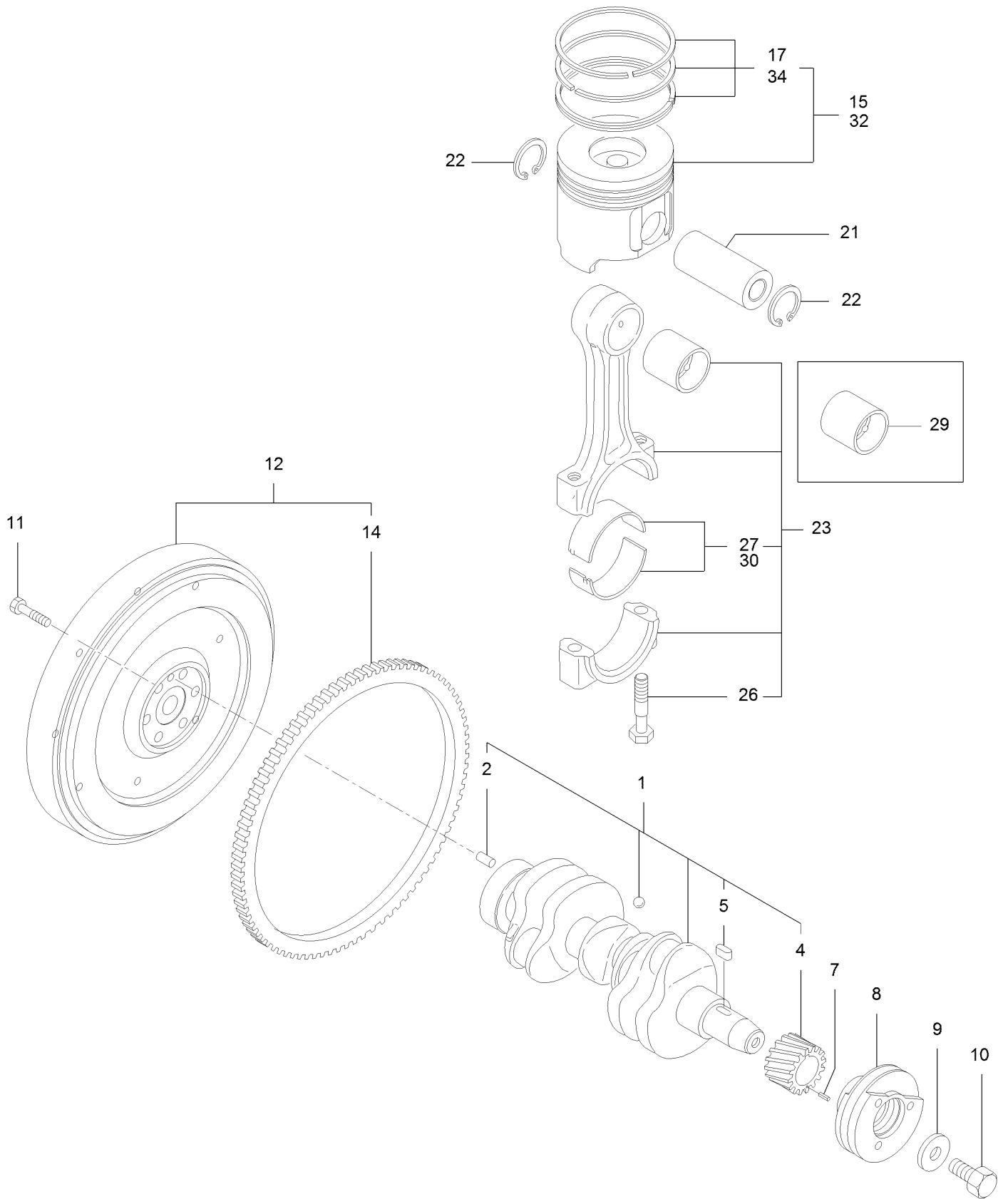
# Camshaft Assembly



## Camshaft Assembly (continued)

<i>Ref.</i>	<i>Part Number</i>	<i>Qty.</i>	<i>Description</i>	<i>Ref.</i>	<i>Part Number</i>	<i>Qty.</i>	<i>Description</i>
1	125-7016	6	Tappet	9	125-6938	1	Shaft
2	125-7017	6	Rod-Push	10	125-6928	1	Gear ASM
3	144-0599	1	Camshaft Assy	13	125-7218	3	Bolt
4	125-7008	1	Metal-Thrust	14	125-7020	4	Bolt
6	125-7015	1	Gear	15	125-6929	1	Gear
7	125-7185	1	Key	16	125-6926	1	Bush
8	125-7213	2	Bolt	17	125-7135	1	Flange

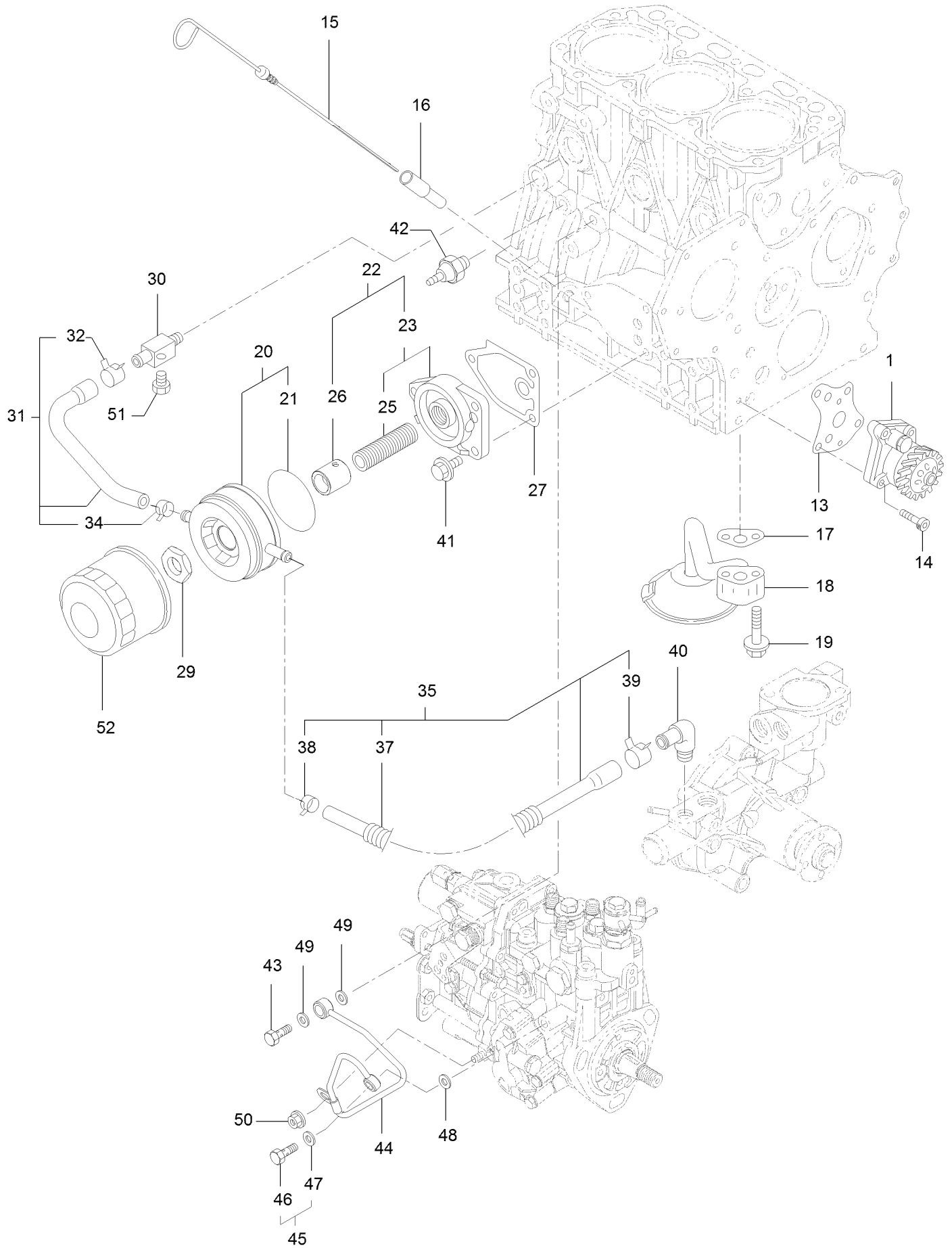
# Crankshaft Assembly



## Crankshaft Assembly (continued)

<i>Ref.</i>	<i>Part Number</i>	<i>Qty.</i>	<i>Description</i>	<i>Ref.</i>	<i>Part Number</i>	<i>Qty.</i>	<i>Description</i>
1	127-3800	1	Crankshaft ASM	15	144-0601	3	Piston Assy
2	125-6995	1	Pin	17	144-0602	3	Ring Set, Piston
4	125-6937	1	Gear	21	125-7030	3	Pin
5	125-7185	1	Key	22	125-7180	6	Ring
7	125-7182	1	Pin-Spring	23	125-7242	3	Connecting Rod ASM
8	127-3801	1	Pulley-V	26	125-6955	6	Bolt
9	125-7109	1	Washer	27	125-7018	3	Pin-Crank
10	125-6956	1	Bolt	29	125-6997	3	Pin-Piston
11	125-6951	6	Bolt	30	125-7019	3	Pin-Crank (.25)
12	144-0600	1	Flywheel Assy	32	144-0603	3	Piston Assy, 0.25 Os
14	125-6943	1	Gear	34	144-0604	3	Ring Set, Piston .25

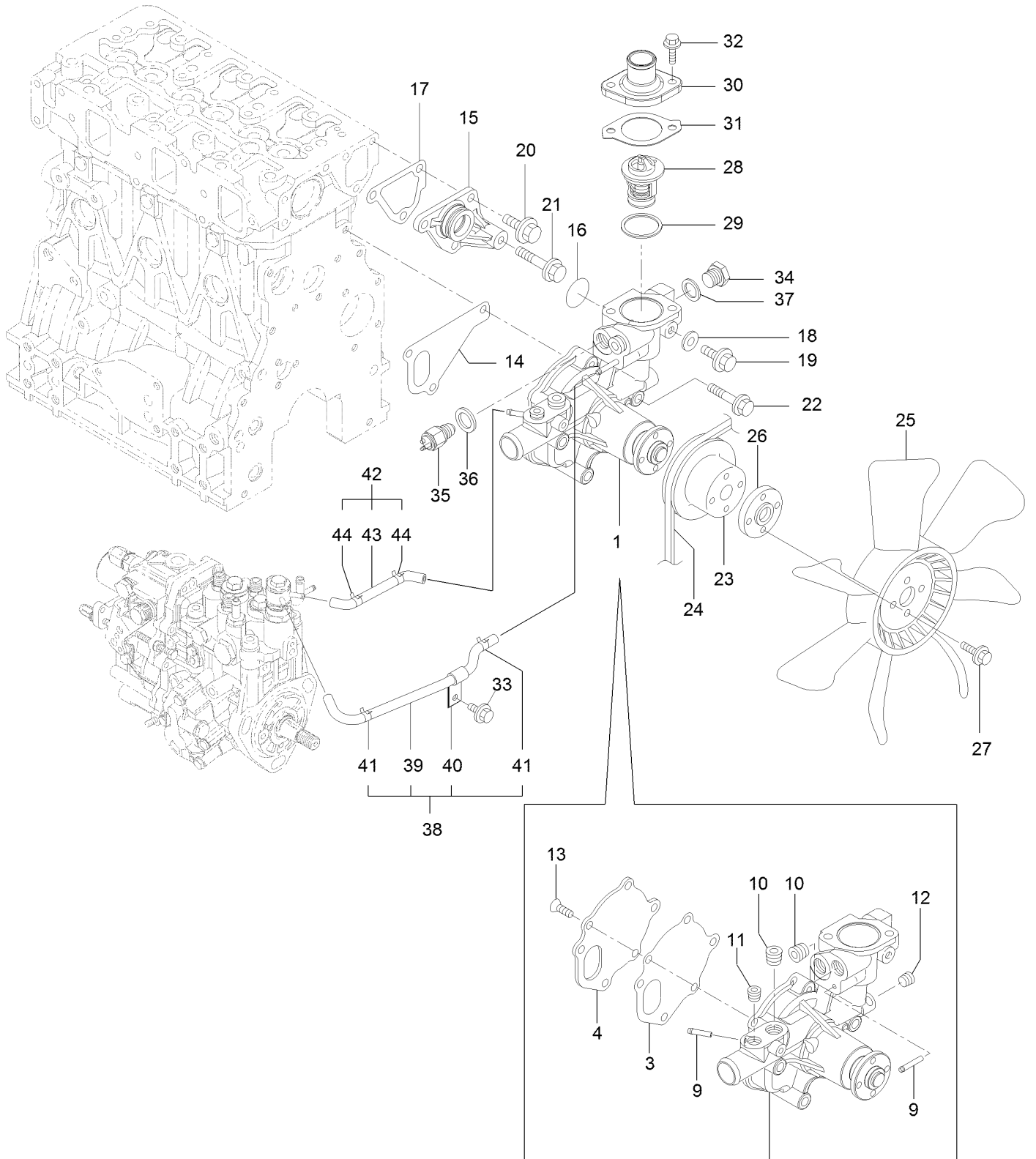
# Oil Pump and Filter Assembly



## Oil Pump and Filter Assembly (continued)

<i>Ref.</i>	<i>Part Number</i>	<i>Qty.</i>	<i>Description</i>	<i>Ref.</i>	<i>Part Number</i>	<i>Qty.</i>	<i>Description</i>
1	144-0605	1	Pump Assy, Oil	34	125-7191	1	Clamp-Hose
13	125-7021	1	Gasket	35	127-3804	1	Pipe ASM
14	125-7232	4	Bolt	37	127-3805	1	Tube
15	140-7168	1	Dipstick-Oil	38	125-7191	1	Clamp-Hose
16	125-6954	1	Guide-Dipstick	39	125-7162	1	Clip
17	125-7022	1	Gasket	40	125-7001	1	Elbow
18	135-4017	1	Oil Inlet Pipe ASM	41	125-7595	3	Bolt
19	125-7217	2	Bolt	42	134-1377	1	Switch-Hydraulic
20	135-4018	1	Oil Cooler ASM	43	125-6975	1	Bolt-Joint, Pipe
21	135-4019	1	Packing-Oil Cooler	44	144-0606	1	Pipe Assy, Oil
22	135-4021	1	Lo Filter Bracket ASM	45	125-6988	1	Joint Bolt ASM
23	140-7169	1	Filter Bracket ASM	46	125-7194	1	Bolt-Joint
25	125-7042	1	Stud	47	125-7174	1	Washer-Seal
26	135-4022	1	Collar-Cooler, Oil	48	125-7174	1	Washer-Seal
27	125-7024	1	Gasket	49	125-7175	2	Washer-Seal
29	135-4020	1	Nut	50	125-7231	1	Nut
30	125-6990	1	Joint	51	125-7171	1	Plug-Drain
31	125-7078	1	Pipe ASM	52	144-0607	1	Filter, Lub.Oil
32	125-7162	1	Clip				

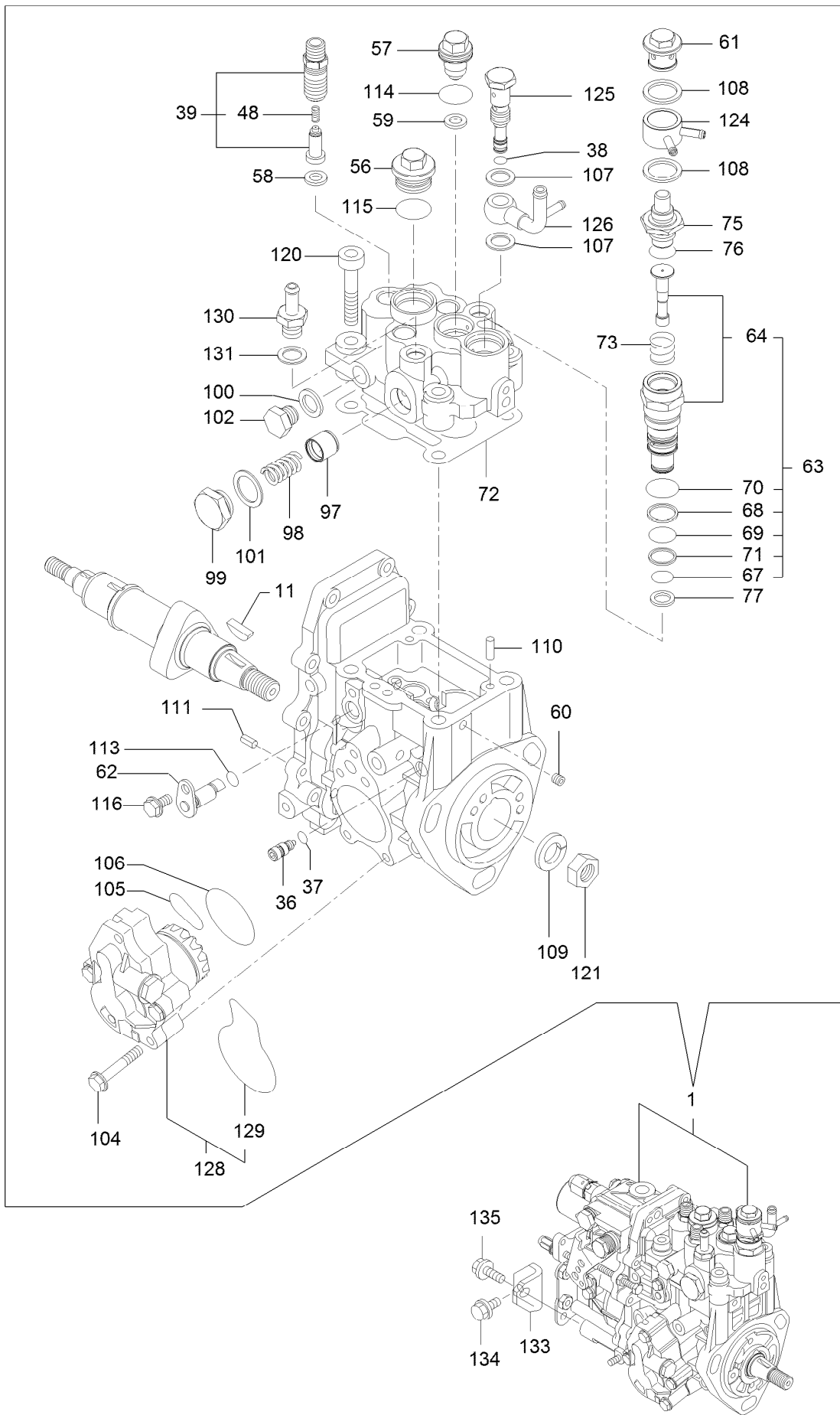
# Water Pump and Fan Assembly



## Water Pump and Fan Assembly (continued)

<i>Ref.</i>	<i>Part Number</i>	<i>Qty.</i>	<i>Description</i>	<i>Ref.</i>	<i>Part Number</i>	<i>Qty.</i>	<i>Description</i>
1	144-0608	1	Pump Assy, CW	26	127-3810	1	Spacer
3	125-6998	1	Gasket	27	125-7209	4	Bolt
4	125-6999	1	Plate	28	125-7029	1	Thermostat
9	144-0609	2	Joint, Pipe	29	125-7026	1	Gasket
10	133-6796	2	Plug	30	140-7171	1	Cover-Thermostat
11	127-3175	1	Plug	31	125-7110	1	Gasket
12	125-7195	1	Plug	32	125-7594	2	Bolt
13	140-7170	3	Screw-Flat	33	125-7206	1	Bolt
14	125-7047	1	Gasket	34	125-6953	1	Plug
15	125-6986	1	Joint	35	134-3128	1	Sensor-Temperature (X1 Terminal)
16	125-7048	1	O-Ring	36	134-4010	1	Gasket
17	125-6978	1	Gasket	37	125-6979	1	Gasket
18	125-7192	1	Gasket	38	144-0610	1	Hose Assy, Water A
19	125-7212	1	Bolt	39	144-0611	1	Hose, Water A
20	125-7214	3	Bolt	40	144-0612	1	Retainer, Pipe
21	125-7219	1	Bolt	41	136-8226	2	Clamp-Hose
22	125-7222	3	Bolt	42	144-0613	1	Hose Assy, Water B
23	127-4712	1	V-Pulley	43	144-0614	1	Hose, Water B
24	127-4771	1	V-Belt	44	136-8226	2	Clamp-Hose
25	135-4196	1	Fan-Cooling 1				

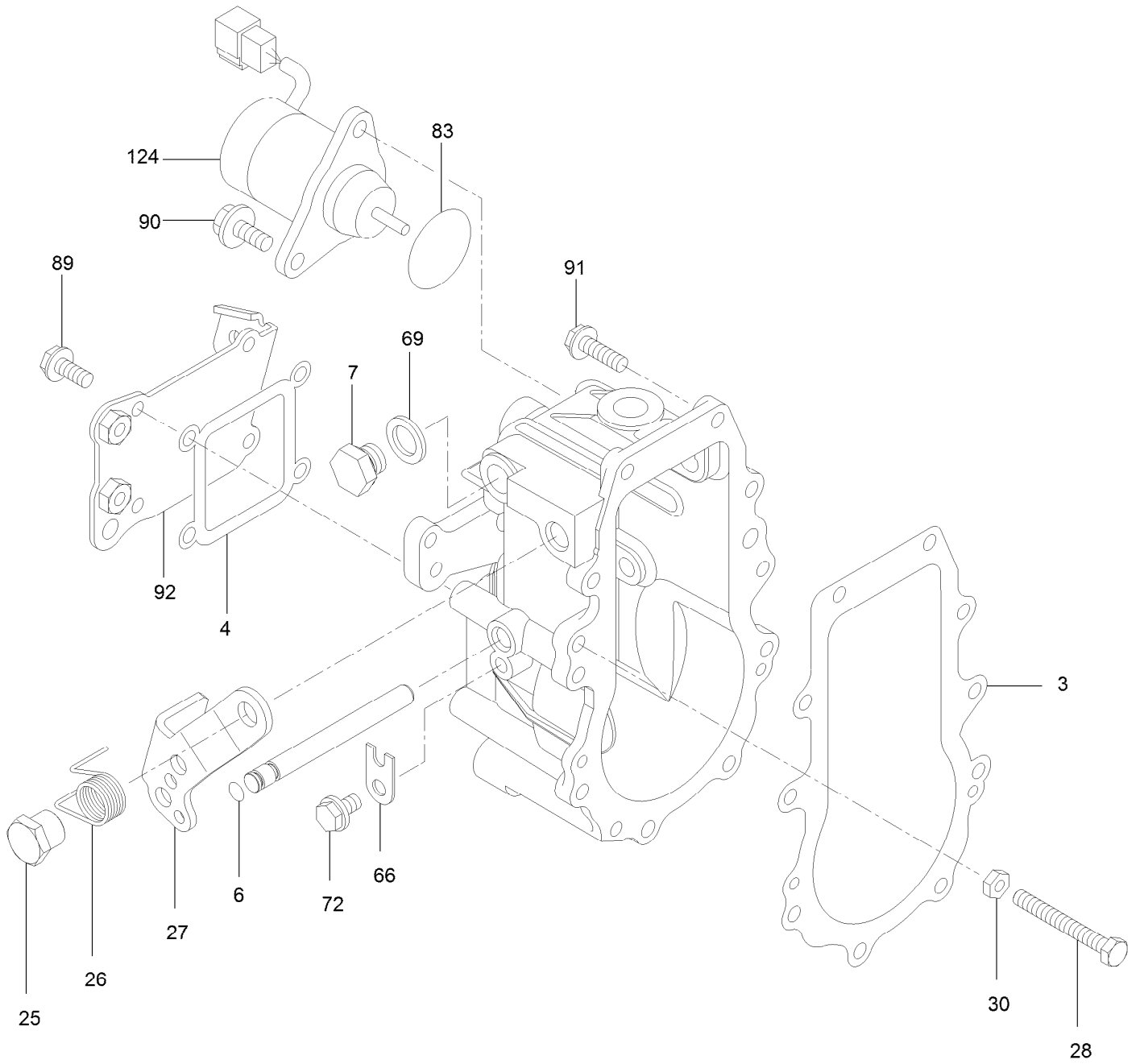
# Fuel Injection Pump Assembly



## Fuel Injection Pump Assembly (continued)

<i>Ref.</i>	<i>Part Number</i>	<i>Qty.</i>	<i>Description</i>	<i>Ref.</i>	<i>Part Number</i>	<i>Qty.</i>	<i>Description</i>
1	144-0615	1	Fie Assy	99	125-7160	1	Plug
11	125-6932	1	Key	100	125-7176	1	Washer-Seal
36	125-7156	1	Stopper	101	125-7591	1	Washer-Seal
37	125-7154	1	O-Ring	102	125-7148	1	Plug
38	125-7154	1	O-Ring	104	125-7147	4	Bolt
39	144-0616	3	Valve Assy, Delivery	105	125-7142	1	O-Ring
48	125-7155	3	Spring	106	125-7143	1	O-Ring
56	125-7157	1	Plug	107	125-7176	2	Washer-Seal
57	125-6933	1	Plug	108	125-7591	2	Washer-Seal
58	125-7136	3	Gasket	109	125-7179	1	Washer-Spring
59	125-7136	1	Gasket	110	125-7181	2	Pin-Parallel
60	125-7151	1	Plug	111	125-7183	2	Pin-Spring
61	144-0617	1	Plug	113	144-0623	1	O-Ring, 1Ap7.0
62	125-7137	1	Lifter	114	125-7201	1	O-Ring
63	144-0618	1	Timer Assy	115	125-7202	1	O-Ring
64	144-0619	1	Timer Assy	116	125-7205	1	Bolt
67	125-7145	1	O-Ring	120	125-7233	4	Bolt
68	125-6934	1	Ring	121	125-7236	1	Nut
69	125-6935	1	O-Ring	124	144-0624	1	Joint, Cooling Water
70	125-7202	1	O-Ring	125	125-7158	1	Joint
71	125-7203	1	Ring-Back Up	126	125-7139	1	Joint
72	125-7138	1	Gasket	128	125-7141	1	Feed Pump ASM
73	144-0620	1	Spring, Timer	129	125-7144	1	O-Ring
75	144-0621	1	Element, Thermostat	130	125-6945	1	Joint
76	144-0622	1	O-Ring, P14	131	125-7176	1	Washer-Seal
77	125-7146	1	Gasket	133	144-0625	1	Retainer, Fuel Pump
97	125-7159	1	Piston	134	125-7214	1	Bolt
98	125-7140	1	Spring	135	125-7595	1	Bolt

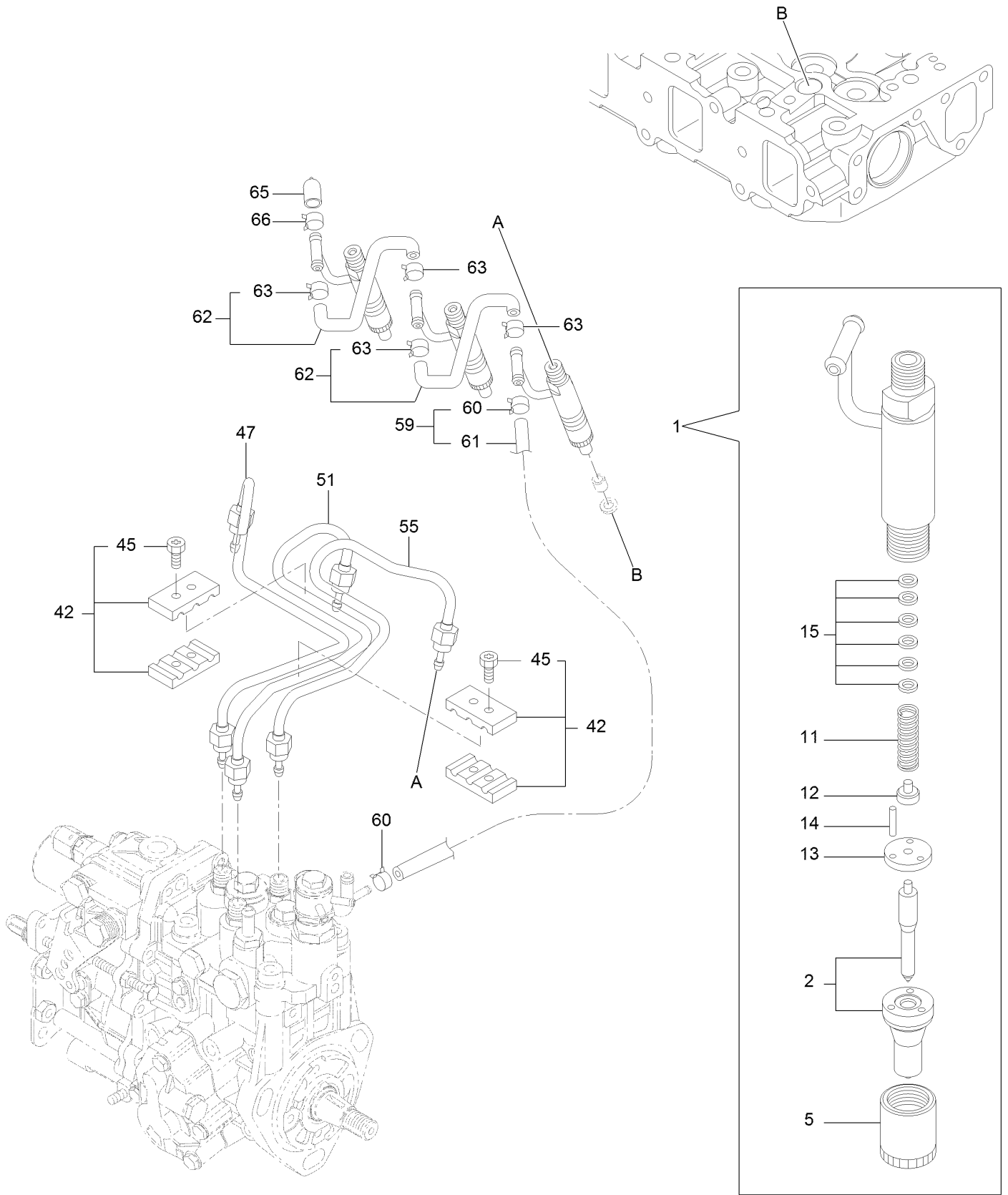
# Governor Assembly



## Governor Assembly (continued)

<i>Ref.</i>	<i>Part Number</i>	<i>Qty.</i>	<i>Description</i>	<i>Ref.</i>	<i>Part Number</i>	<i>Qty.</i>	<i>Description</i>
3	125-7149	1	Gasket	66	134-1395	1	Stopper-Shaft
4	144-0626	1	Gasket, Case	69	125-7176	1	Washer-Seal
6	135-4207	1	O-Ring	72	125-7205	1	Bolt
7	125-7148	1	Plug	83	134-1520	1	O-Ring
25	134-1508	1	Nut	89	125-7206	4	Bolt
26	144-0627	1	Spring, Return	90	125-7206	2	Bolt
27	144-0628	1	Lever, Regulator	91	125-7209	10	Bolt
28	134-4013	1	Bolt-Limit, Idle	92	144-0629	1	Cover, Governor Case
30	134-4014	1	Nut	124	140-7172	1	Stop-Solenoid

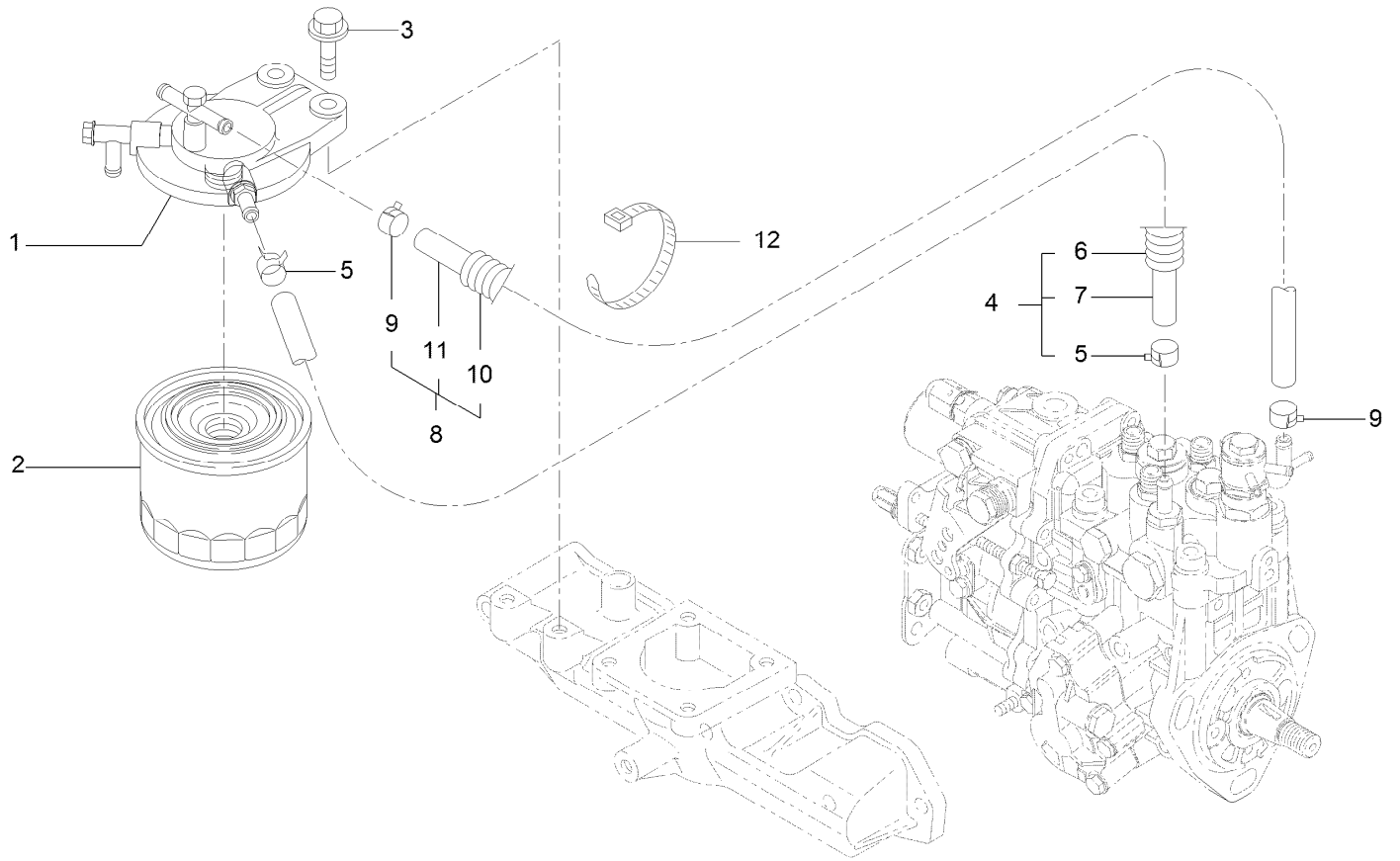
# Fuel Injection Valve Assembly



## Fuel Injection Valve Assembly (continued)

<i>Ref.</i>	<i>Part Number</i>	<i>Qty.</i>	<i>Description</i>	<i>Ref.</i>	<i>Part Number</i>	<i>Qty.</i>	<i>Description</i>
1	144-0630	3	Valve Assy,Injection	47	144-0632	1	Pipe Assy, Injection
2	144-0631	3	Valve Assy,Injection	51	144-0633	1	Pipe Assy, Injection
5	125-6901	3	Nut	55	144-0634	1	Pipe Assy, Injection
11	125-6902	3	Spring	59	144-0635	1	Hose Assy, Return
12	125-6903	3	Seat-Spring	60	136-8226	2	Clamp-Hose
13	125-6904	3	Plate	61	144-0636	1	Hose, Fuel Return
14	125-6905	6	Pin	62	144-0637	2	Hose Assy, Return
15	125-6939	3	Shim Set	63	136-8226	4	Clamp-Hose
42	134-1488	2	Retainer-Pipe	65	144-0638	1	Cap, Return Pipe
45	125-7027	4	Bolt	66	125-6970	1	Clip

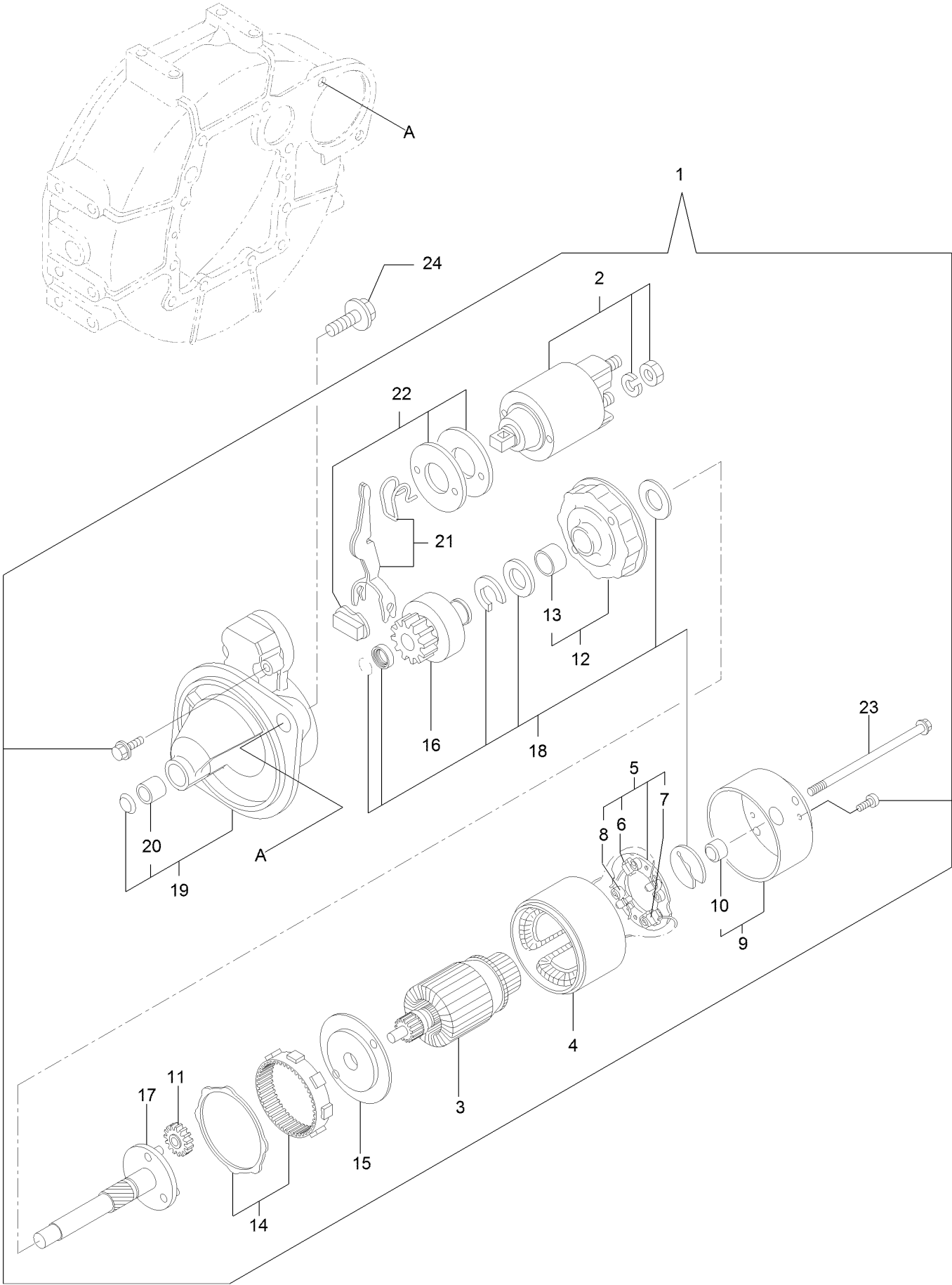
# Fuel Filter Assembly



## Fuel Filter Assembly (continued)

<i>Ref.</i>	<i>Part Number</i>	<i>Qty.</i>	<i>Description</i>	<i>Ref.</i>	<i>Part Number</i>	<i>Qty.</i>	<i>Description</i>
1	144-0639	1	Bracket, Filter	7	144-0643	1	Hose, Fuel L=220
2	144-0640	1	Filter, Fo	8	144-0644	1	Hose Assy, Fuel
3	125-7216	2	Bolt	9	140-7167	2	Clamp-Hose (11.5)
4	144-0641	1	Hose Assy, D13X1220	10	144-0645	1	Tube, Corrugated 15
5	140-7167	2	Clamp-Hose (11.5)	11	144-0646	1	Hose, Fuel
6	144-0642	1	Tube, Corrugated 15	12	127-2981	1	Band

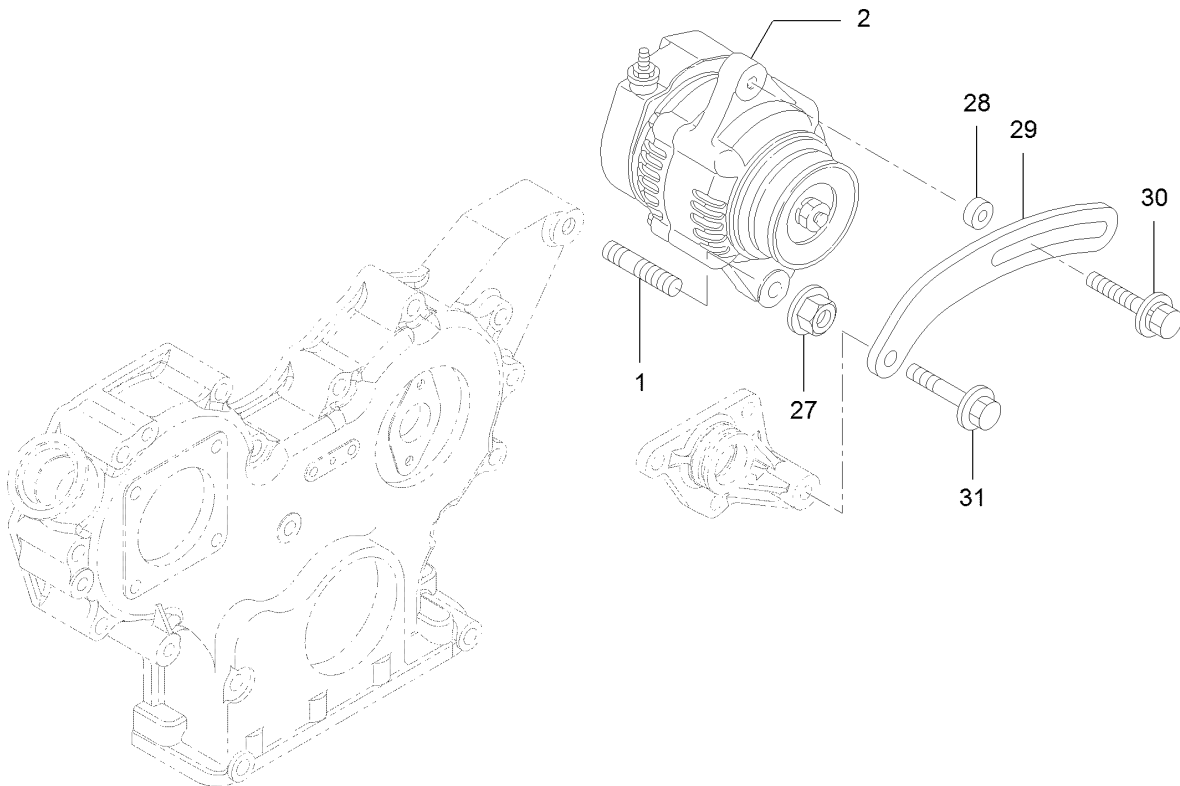
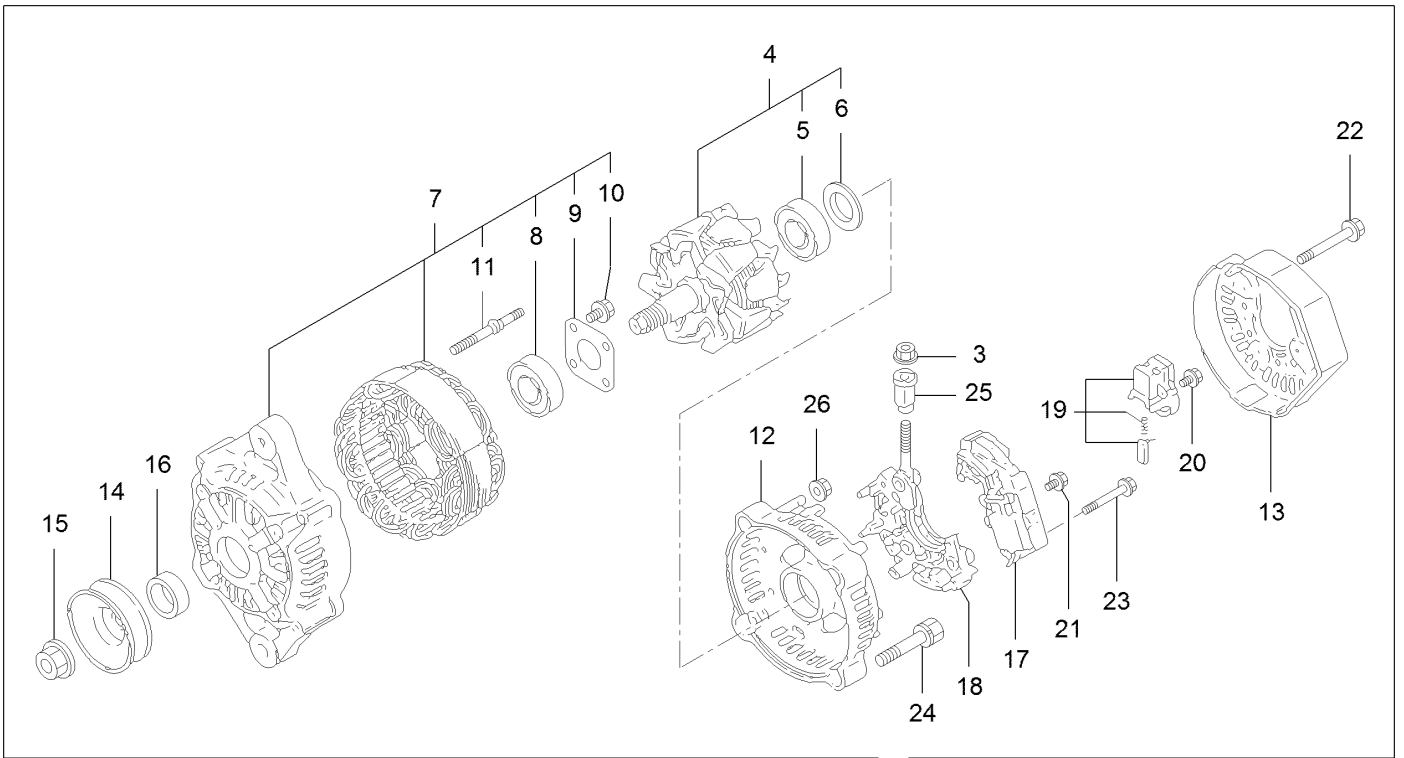
# Starting Motor Assembly



## Starting Motor Assembly (continued)

<i>Ref.</i>	<i>Part Number</i>	<i>Qty.</i>	<i>Description</i>	<i>Ref.</i>	<i>Part Number</i>	<i>Qty.</i>	<i>Description</i>
1	127-3818	1	Starter ASM	13	127-3830	1	Bracket
2	127-3819	1	Switch ASM	14	127-3831	1	Gear
3	127-3820	1	Armature ASM	15	127-3832	1	Bracket
4	127-3821	1	Yoke ASM	16	127-3833	1	Pinion ASM
5	127-3822	1	Brush Holder ASM	17	127-3834	1	Shaft
6	127-3823	2	Brush	18	127-3835	1	Washer Set
7	127-3824	1	Brush Set	19	127-3836	1	Case ASM
8	127-3825	4	Spring	20	127-3837	1	Metal-Starter
9	127-3826	1	Cover ASM	21	127-3838	1	Lever Set
10	127-3827	1	Metal	22	127-3839	1	Dust Cover ASM
11	127-3828	3	Gear	23	135-4024	2	Bolt-Through
12	127-3829	1	Bracket	24	125-7225	2	Bolt

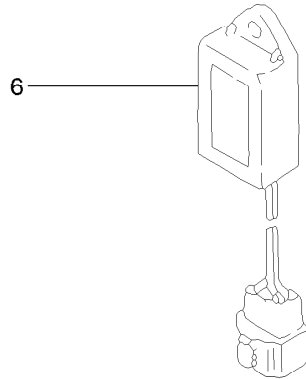
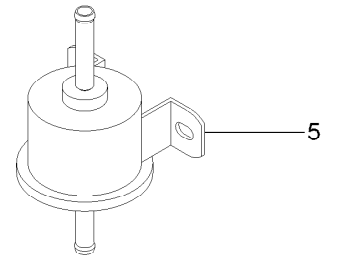
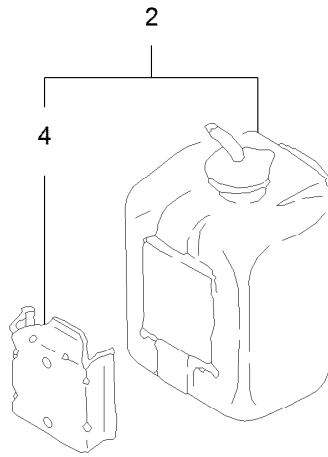
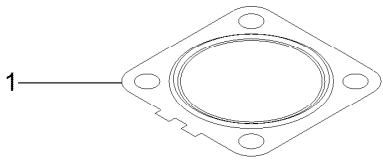
# Generator Assembly



## Generator Assembly (continued)

<i>Ref.</i>	<i>Part Number</i>	<i>Qty.</i>	<i>Description</i>	<i>Ref.</i>	<i>Part Number</i>	<i>Qty.</i>	<i>Description</i>
1	127-3011	1	Stud	17	144-0648	1	Regulator Assy
2	139-6018	1	Generator	18	127-3848	1	Holder
3	144-0647	1	Nut	19	127-2993	1	Holder
4	127-3843	1	Rotor ASM	20	127-2965	6	Screw
5	127-2983	1	Bearing-Ball	21	127-2966	1	Screw
6	127-2962	1	Cover	22	127-2967	3	Bolt
7	135-4025	1	Frame ASM	23	127-2968	2	Screw
8	127-2958	1	Bearing-Ball	24	127-2969	2	Bolt
9	127-2959	1	Plate-Retainer	25	127-2970	1	Bushing-Insulation
10	127-2960	4	Screw	26	127-2971	2	Nut
11	127-2961	2	Stud	27	125-7230	1	Nut
12	127-3845	1	Frame	28	125-6947	1	Spacer
13	127-3846	1	Cover	29	127-2977	1	Adjuster
14	127-2954	1	Pulley	30	125-7134	1	Bolt
15	127-2955	1	Nut	31	125-7219	1	Bolt
16	127-2957	1	Collar				

# Accessories Assembly



## Accessories Assembly (continued)

<i>Ref.</i>	<i>Part Number</i>	<i>Qty.</i>	<i>Description</i>	<i>Ref.</i>	<i>Part Number</i>	<i>Qty.</i>	<i>Description</i>
1	144-0649	1	Gasket, Silencer	5	121-5613	1	Pump-Fuel, Electric
2	140-7185	1	Tank ASM	6	134-1507	1	Timer
4	140-7165	1	Bracket-Tank				

# Attachments and Accessories

## For 31909A — Groundsmaster 3310 All-Wheel Drive Traction Unit

<b>Product Name</b>	<b>Model/Part</b>
Filter-Air .....	108-3810
Paint-Black Bottle .....	112-0176
Paint-Red Pen .....	112-0177
Paint-Red Bottle .....	112-0178
15-Pound Cast Weight.....	112-7059-01
5in Air Cleaner Safety Element.....	114-4057
42 Pound Weight .....	114-4096
Seat Cover (with Arm Rest) .....	117-0095
Fuel/Water Separator Filter.....	125-2915
Engine Oil Filter .....	125-7025
Exterior Mirror Kit.....	130-5448
Interior Mirror Kit.....	130-5449
PX Hydraulic Fluid (5 Gal) .....	133-8086
PX Hydraulic Fluid (55 Gal).....	133-8087
Wrench-Caster Cap/Latch .....	138-6367
Storage Bag Kit.....	139-2020
SMV Kit.....	139-2339
Power Harness Kit .....	140-1559
Filter-Fuel .....	144-0453
Weight Kit .....	144-0480
Plate-Weight, 25 LBS .....	144-0484
Universal Wireless Hourmeter Kit.....	144-2436
Blade Kit, Std (24.5) 3pk .....	144-3911
Blade Kit, Med Flow (20.5) 3pk .....	144-3912
Blade Kit, High Flow (20.5) 3pk.....	144-3913
Blade Kit, Atomic (20.5) 3pk .....	144-3914
Blade Kit, Low Flow (24.5) 3pk .....	144-3915
Blade Kit, Recycling (24.5) 3pk.....	144-3916
Blade Kit, Low Flow (20.5) 3pk .....	144-3917
Blade Kit, Recycling (20.5) 3pk.....	144-3918
Hose Replacement Kit, Groundsmaster 3200 or 3300 Series Traction Unit.....	144-3960
Slope Sensor Kit.....	31952
Auxiliary HYD Kit .....	31966
60in SD Deck.....	31970
60in RD Deck.....	31971
72in SD Deck.....	31972
72in RD Deck.....	31973
Recycler Kit 60in/152cm SD .....	31976
Recycler Kit, 60In/152cm RD.....	31977
Recycler Kit, 72In/183cm SD .....	31978
Recycler Kit, 72In/183cm RD.....	31979
Storage Box Kit.....	31983
USB Charging Kit.....	31984
Road Light Kit (North America) .....	31991
LED Work Light Kit.....	31993
Accessory Control Kit .....	31994

## Attachments and Accessories (continued)

Led Beacon Kit .....	31996
Hydraulic Hose Kit .....	31999
Seat Assembly-Standard .....	32301
Seat Assembly-Mechanical Suspension.....	32302
Air Ride Seat Kit .....	32303
Toro Red 12oz Aerosol Can .....	361-10
Semi-Gloss Black Spray Paint.....	361-9
Transmission Oil Filter .....	86-3010
Boss Plow, 5ft Straight Blade .....	MSC23345
Blade Crate (Snowplow), ATV Poly S .....	STB13567B

**Notes:**

**Notes:**



**Count on it.**