



Count on it.

Parts Catalog

**2000 Series 23.5 HP 60in
Riding Mower**

Model No. 77292—Serial No. 40000000 and Up



Ordering Replacement Parts

To order replacement parts, please supply the part number, the quantity, and the description of each part desired.

Understanding Reference Numbers

Each identified part in an illustration has a reference number. The reference number for a part also appears in the parts list, along with other information about the part.

This catalog uses two special reference number formats, one to indicate parts in a service assembly and another to indicate the quantity of a given part in an illustration.

Service Assembly Reference Numbers

Parts in service assemblies have reference numbers in the form a:b. The a represents the reference number of the entire service assembly and the b represents a sequential number unique to each part within the service assembly.

For example, a wheel assembly might be identified by reference number 6, the tire by 6:1, the valve by 6:2, and the wheel by 6:3. When you order the assembly identified by reference number 6, you receive all parts identified by reference numbers 6:1, 6:2, and 6:3. However, you may also order any part individually. Reference numbers of this type appear in illustration and in parts lists.

Reference Numbers Indicating Quantity

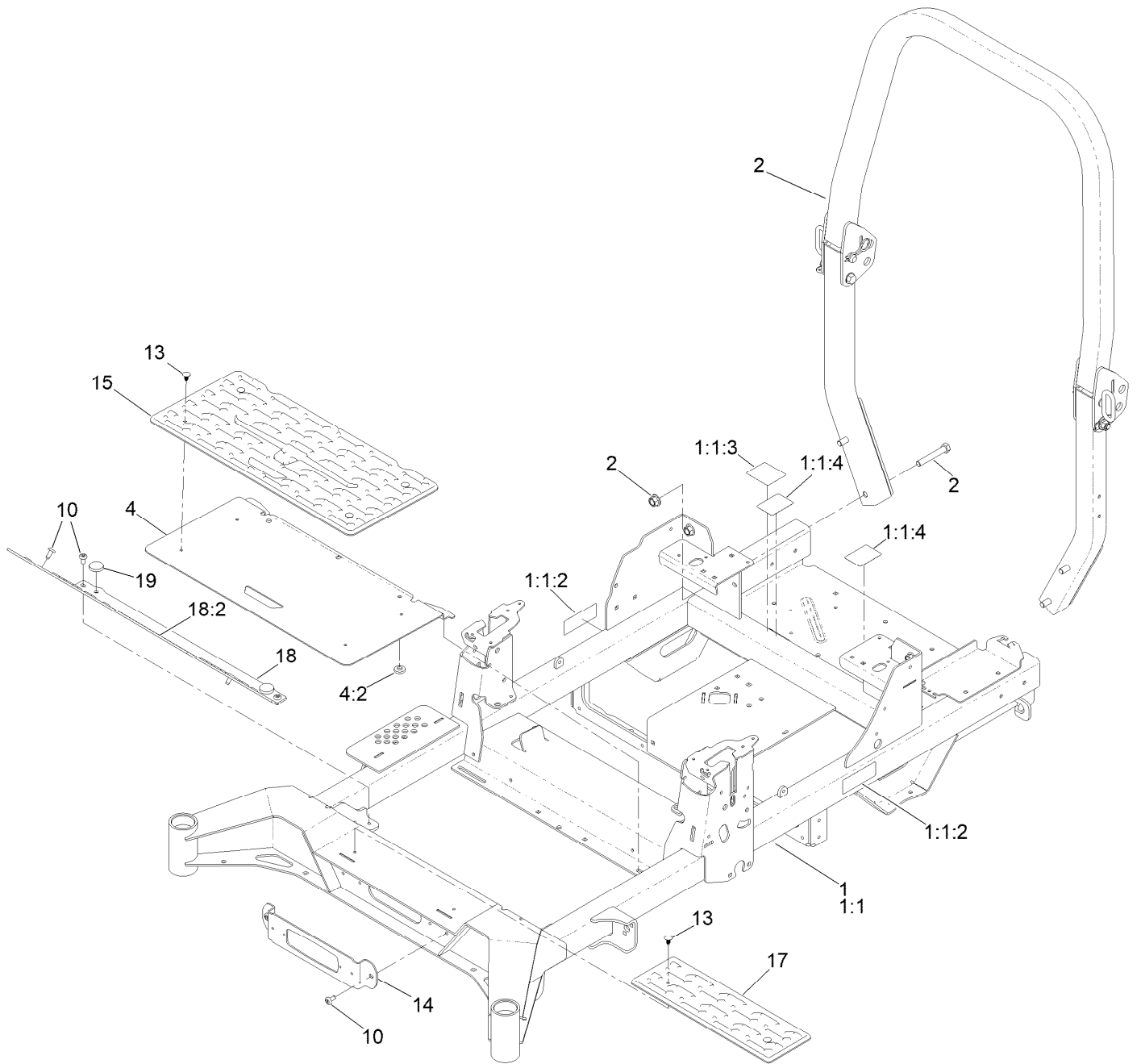
In an illustration, if a reference number indicates more than one part, the reference number has the form nX y. The n represents the quantity of the part, the X is the multiplication symbol, and the y represents the reference number.

For example, in an illustration, the reference number 2X 37 means that two of the parts identified by reference number 37 are indicated.

Contents

Frame Assembly	4
Roll-Over Protection System Assembly No. 139-8062	6
Hydro Drive Assembly	8
LH Transaxle Assembly No. 145-8424	10
RH Transaxle Assembly No. 145-8425	12
Throttle, Choke Cables and Guard Assembly	14
Fuel Assembly	16
Fuel Tank Assembly No. 163-4137	18
Seat Mount Assembly	20
Seat Assembly No. 147-2384	22
Motion Control Assembly	24
Left and Right Motion Control Assembly	26
Front Caster Wheel Assembly	28
Fork and Caster Wheel Assembly	30
Rear Drive Wheel Assembly	32
Electrical Assembly	34
Wire Harness Assembly No. 147-2363	36
Deck Lift Assembly	38
Deck Strut Assembly No. 161-6805	40
Engine, Clutch and Muffler Assembly	42
Decal Assembly	44
Deck Assembly	46
Deck Decal Assembly No. 147-7373	48
Spindle Assembly No. 139-2357	50
Deflector Assembly No. 144-2635	52
Idler Arm Assembly No. 139-1087	54
Attachments and Accessories	56

Frame Assembly

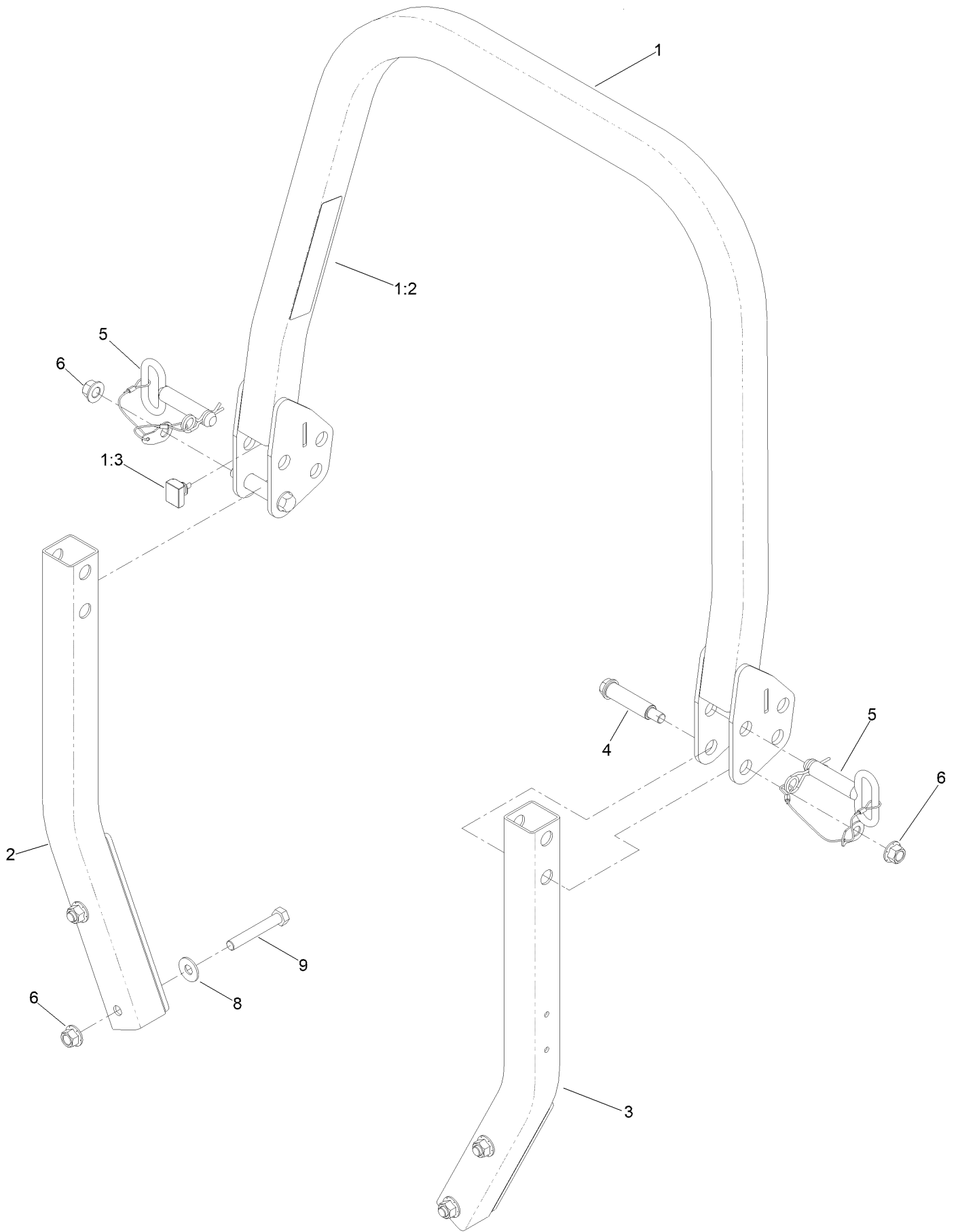


Frame Assembly (continued)

<i>Ref.</i>	<i>Part Number</i>	<i>Qty.</i>	<i>Description</i>	<i>Ref.</i>	<i>Part Number</i>	<i>Qty.</i>	<i>Description</i>
1	145-7031	1	Frame ASM	10	138-9753	6	Screw
1:1		1	Frame-60 ●	13	117-2382	6	Plug-Plastic
1:1:2	126-4363	2	Decal-Warning	14	140-4994-01	1	Bracket-Light
1:1:3	109-6014	1	Decal-Routing, Belt	15	140-7950	1	Floormat-Fixed Seat
1:1:4	147-4982	2	Decal-Bypass	17	140-4992	1	Step
2	139-8062	1	ASM-ROPS	18	140-4995	1	Toeboard
4	138-6098	1	Floor Pan ASM	18:2	126-8383	1	Decal-Danger
4:2	109-9233	2	Bumper-Push-In, Rubber	19	109-9233	2	Bumper-Push-In, Rubber

● Not serviced separately

Roll-Over Protection System Assembly No. 139-8062

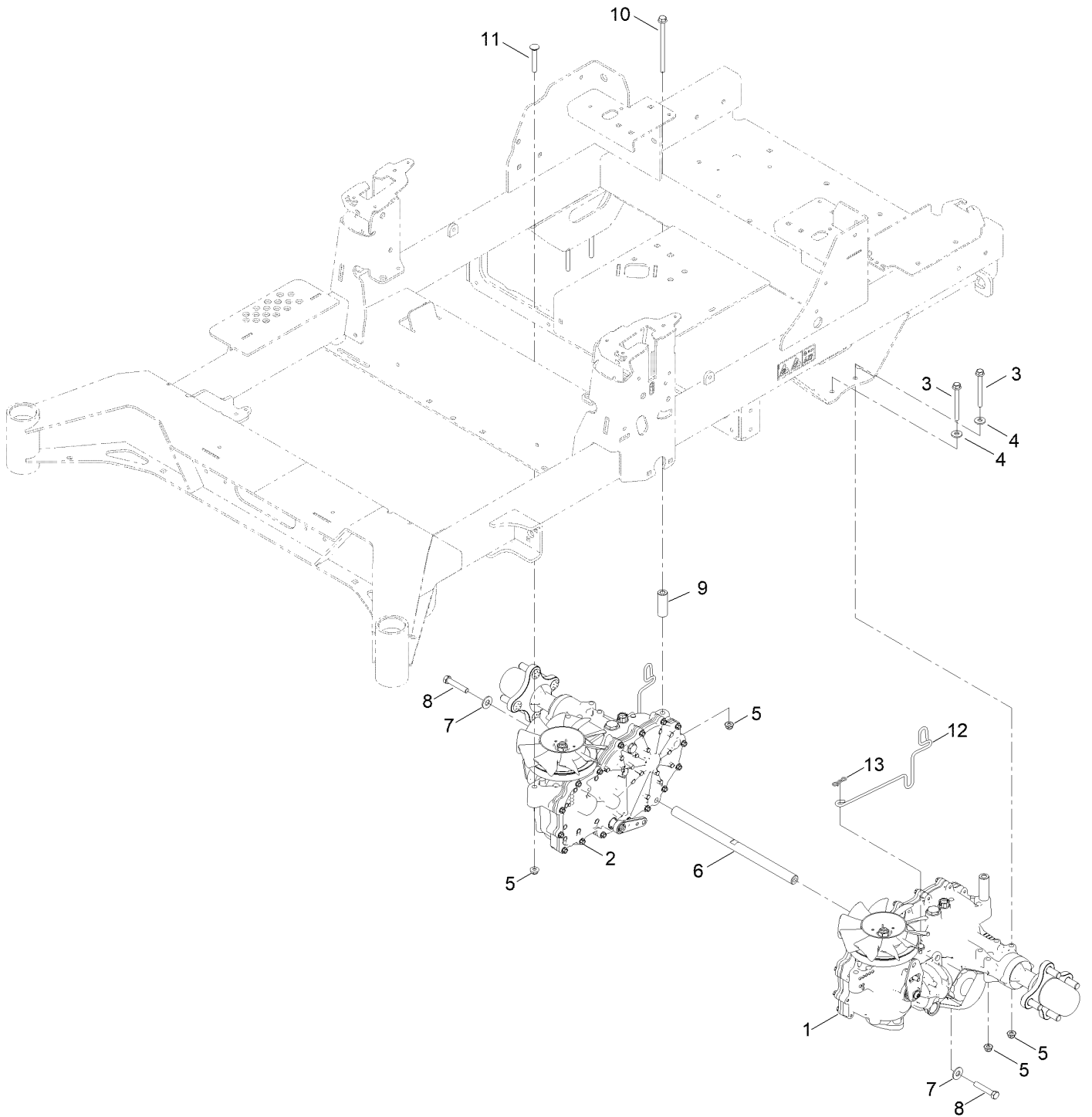


Roll-Over Protection System Assembly No. 139-8062 (continued)

<i>Ref.</i>	<i>Part Number</i>	<i>Qty.</i>	<i>Description</i>	<i>Ref.</i>	<i>Part Number</i>	<i>Qty.</i>	<i>Description</i>
1		1	Upper ROPS ASM ●	4	161-4505	2	Bolt-Shoulder
1:2	107-3069	1	Decal-Warning	5	161-4477	2	ROPS Pin ASM
1:3	109-5337	2	Bumper-ROPS	6	139-1689	6	Nut-HF
2		1	RH Lower ROPS ASM ●	8	109-9505	4	Washer-Spring
3		1	LH Lower ROPS ASM ●	9	325-13	4	Screw-HH

● Not serviced separately

Hydro Drive Assembly



Hydro Drive Assembly (continued)

<i>Ref.</i>	<i>Part Number</i>	<i>Qty.</i>	<i>Description</i>	<i>Ref.</i>	<i>Part Number</i>	<i>Qty.</i>	<i>Description</i>
1	145-8424	1	Transaxle ASM	8	94-7972	2	Screw-HH, Patch
2	145-8425	1	Transaxle ASM	9	109-3652	2	Spacer
3	126-4687	4	Screw-HHF	10	126-5896	2	Screw HHF
4	1-303334	4	Washer-Spring	11	3230-7	2	Bolt-CARR
5	119-4041	8	Nut-HF	12	125-8950	2	Rod-Bypass
6	145-5708	1	Shaft-Spacer	13	119-1415	2	Pin-Cotter, Locking
7	3256-4	2	Washer-Flat				

LH Transaxle Assembly No. 145-8424



LH Transaxle Assembly No. 145-8424 (continued)

<i>Ref.</i>	<i>Part Number</i>	<i>Qty.</i>	<i>Description</i>	<i>Ref.</i>	<i>Part Number</i>	<i>Qty.</i>	<i>Description</i>
23	109-3321	1	Element-Oil Filter, HYD	203	114-8465	1	Charge Kit
30	139-7497	1	Seal-Lip	203:1	114-8457	1	Cover-Charge Pump
34	107-2490	1	Arm-Bypass	203:2	104-2122	1	Gerotor ASM
35	106-8681	1	Ring-Retaining, External	203:3	109-3540	1	O Ring-Seal
43	112-9853	1	Puck-Friction	203:4	104-2120	1	Screw
97	116-3872	1	Hub-Offset	207	126-8904	1	Fan And Pulley Kit
102	125-0021	1	Handle-Brake	207:1	126-8905	1	Hub-Fan
106	120-7979	1	Guard-Filter, LH	207:2	126-0226	1	Fan
156	116-6214	1	Cap-Axle, Long	207:3	116-9714	1	Nut-HJ
165	116-6213	1	Tube-Axle	210	121-3248	1	Input Shaft Kit
194	147-7366	1	Assembly-Fitting, Breather	211	117-5362	1	Control Arm Kit
200	121-3243	1	Seal Kit	215	140-8353	1	Inboard Kit

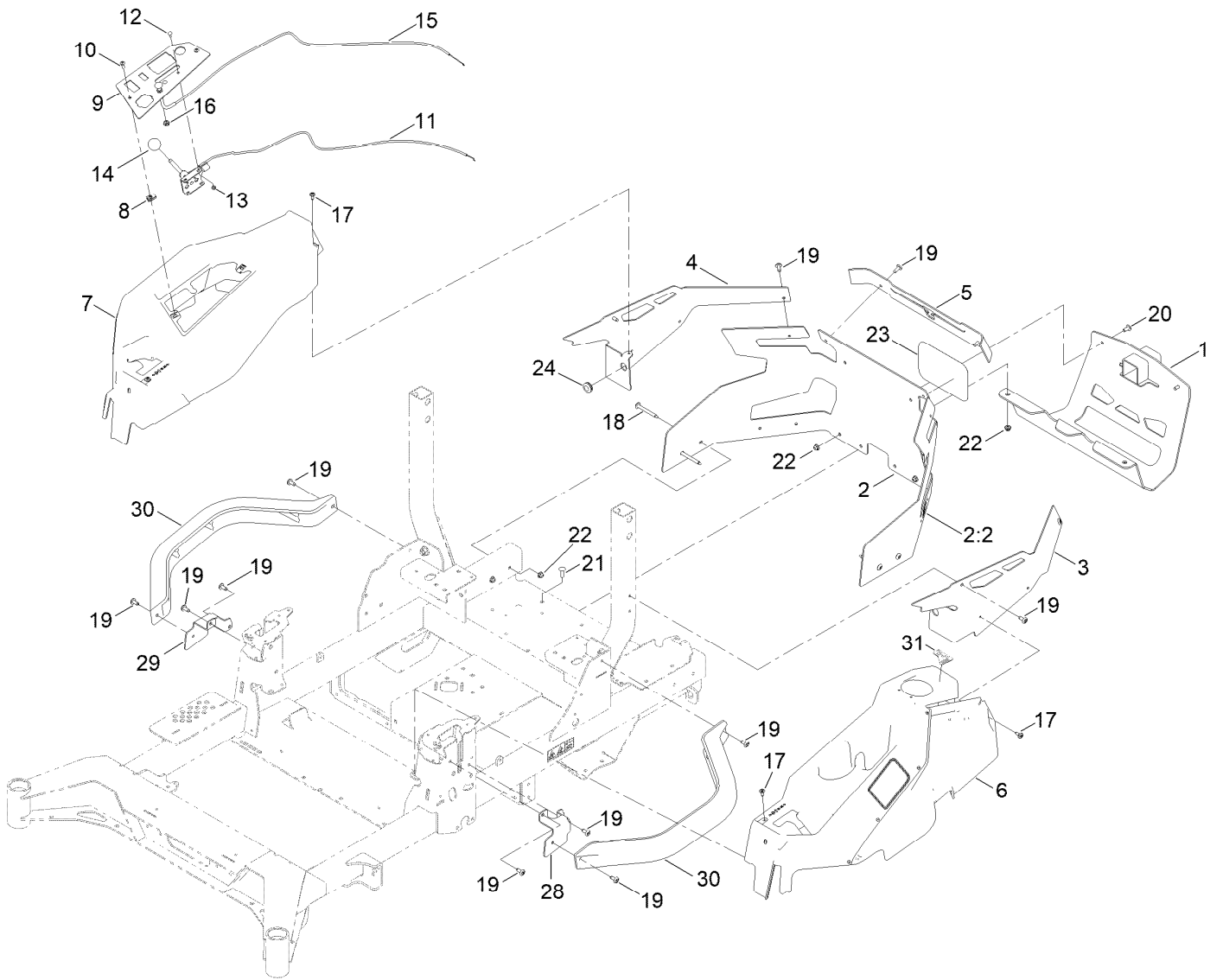
RH Transaxle Assembly No. 145-8425



RH Transaxle Assembly No. 145-8425 (continued)

<i>Ref.</i>	<i>Part Number</i>	<i>Qty.</i>	<i>Description</i>	<i>Ref.</i>	<i>Part Number</i>	<i>Qty.</i>	<i>Description</i>
23	109-3321	1	Element-Oil Filter, HYD	203	114-8465	1	Charge Kit
30	139-7497	1	Seal-Lip	203:1	114-8457	1	Cover-Charge Pump
34	107-2490	1	Arm-Bypass	203:2	104-2122	1	Gerotor ASM
35	106-8681	1	Ring-Retaining, External	203:3	109-3540	1	O Ring-Seal
43	112-9853	1	Puck-Friction	203:4	104-2120	1	Screw
97	116-3872	1	Hub-Offset	207	126-8904	1	Fan And Pulley Kit
102	125-0021	1	Handle-Brake	207:1	126-8905	1	Hub-Fan
106	120-7981	1	Guard-Filter, RH	207:2	126-0226	1	Fan
156	116-6214	1	Cap-Axle, Long	207:3	116-9714	1	Nut-HJ
165	116-6213	1	Tube-Axle	210	121-3248	1	Input Shaft Kit
194	147-7366	1	Assembly-Fitting, Breather	211	117-5362	1	Control Arm Kit
200	121-3243	1	Seal Kit	215	140-8353	1	Inboard Kit

Throttle, Choke Cables and Guard Assembly

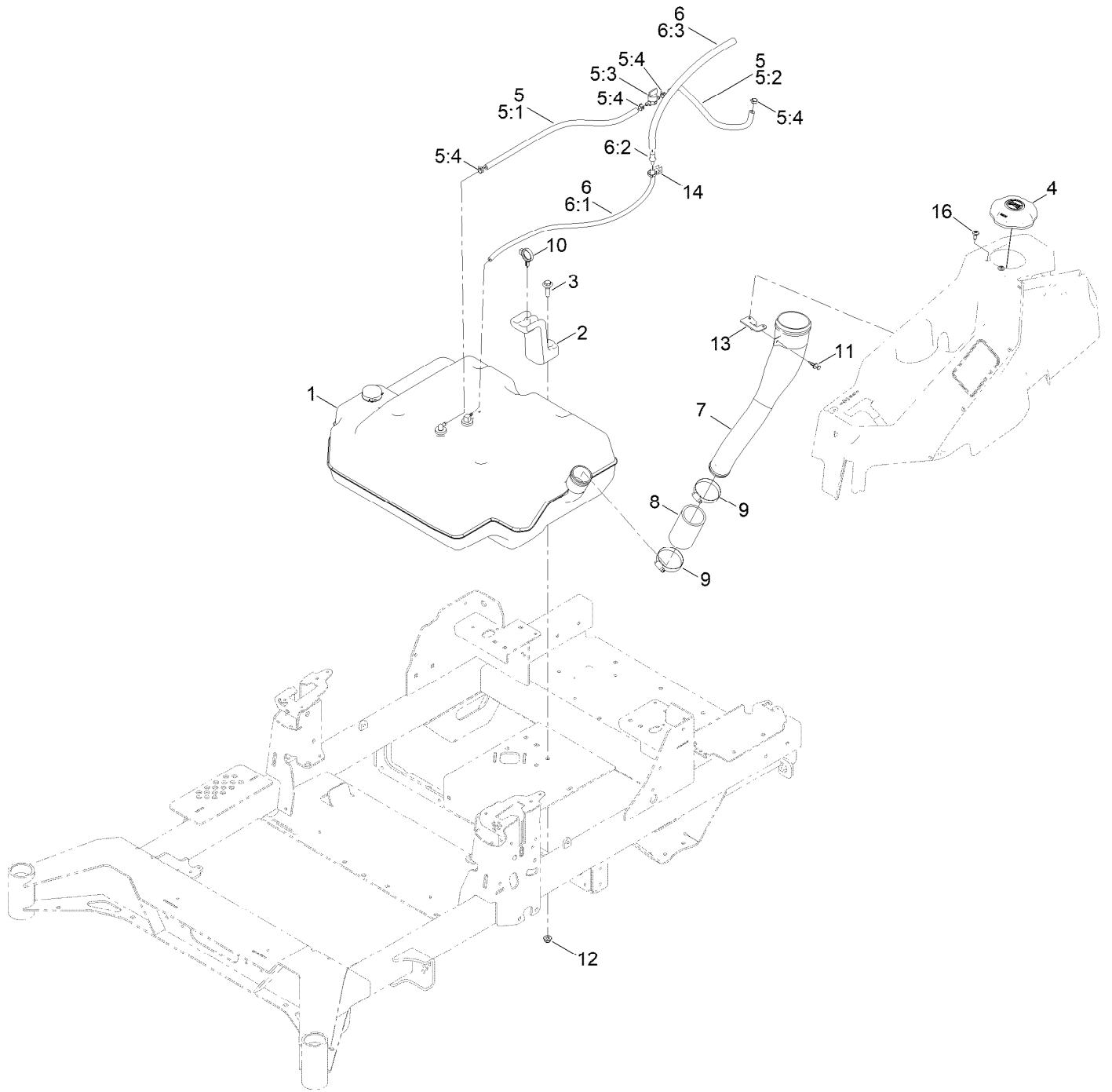


Throttle, Choke Cables and Guard Assembly (continued)

<i>Ref.</i>	<i>Part Number</i>	<i>Qty.</i>	<i>Description</i>	<i>Ref.</i>	<i>Part Number</i>	<i>Qty.</i>	<i>Description</i>
1	147-2408-03	1	Guard-Muffler	14	1-603175	1	Knob-Ball
2	145-7022	1	Rear Guard ASM	15	139-6735	1	Cable-Control, Choke
2:2	106-5517	2	Decal-Warning	16	3220-3	1	Nut-HJ
2:4	147-7364	1	Decal-Hitch ●	17	120-7950	6	Screw-Torx
3	145-8443-01	1	Guard-Rear, LH	18	126-6267	4	Screw-TTH
4	145-8444-01	1	Guard-Rear, RH	19	138-9753	14	Screw
5	145-7007-01	1	Guard-Rear, Top	20	126-6268	2	Screw-TTH
6	147-2352	1	LH Pod ASM	21	3230-22	2	Screw-CARR
7	147-2353	1	RH Pod ASM	22	119-4041	8	Nut-HF
8	107069	2	Clip	23	67-7320	1	Decal
9	145-8498-03	1	Panel-Control	24	112-7069	1	Grommet
10	138-0689	2	Screw-PH	28	145-8481-01	1	Bracket-Mount, LH
11	139-6734	1	Cable-Control, Throttle	29	145-8484-01	1	Bracket-Mount, RH
12	1-807513	2	Bolt-CARR	30	147-2385-01	2	Tube-Pod
13	3296-2	2	Nut-Lock, NI	31	147-2399	1	Decal-Fuel Fill

● Not illustrated

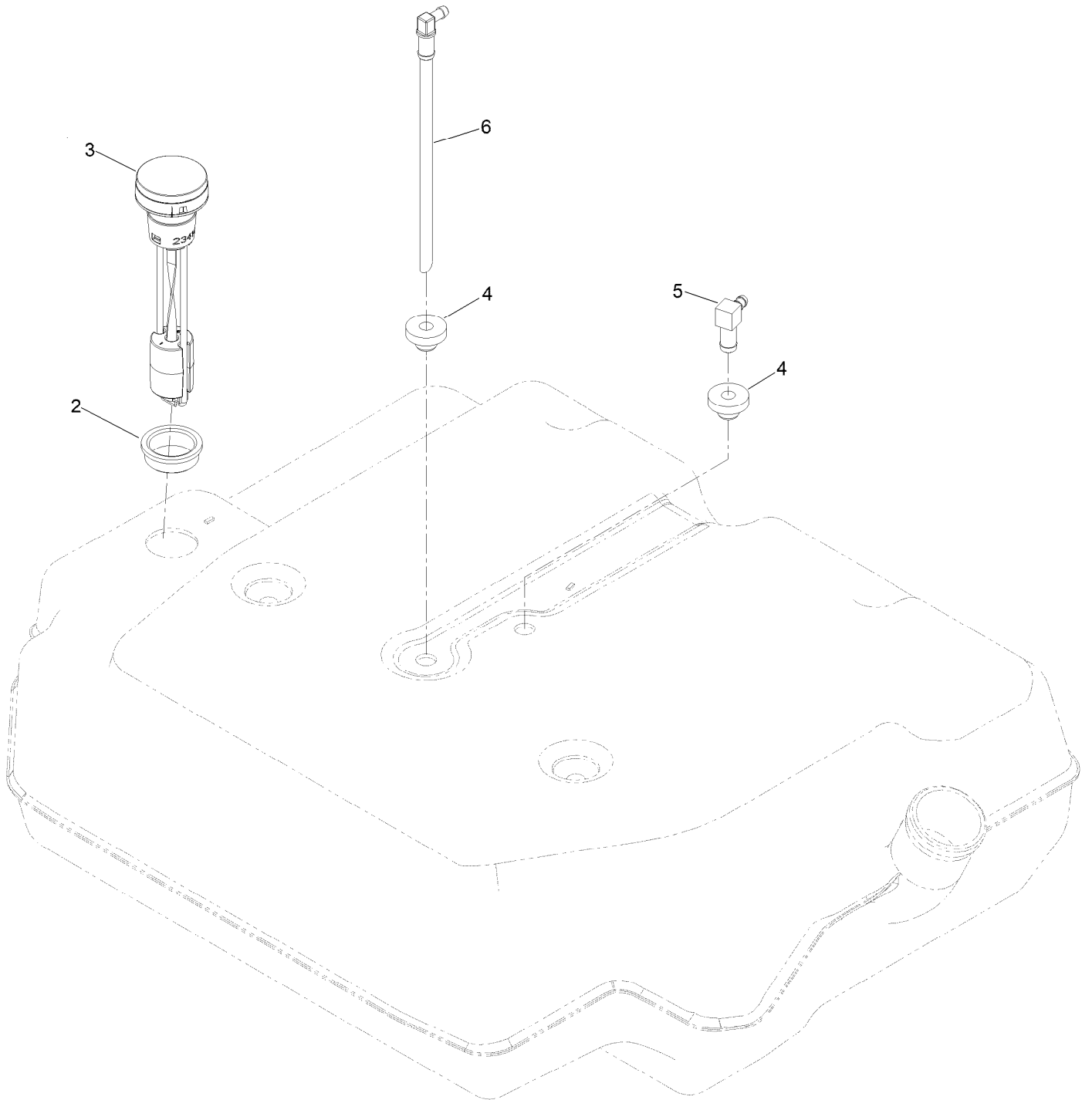
Fuel Assembly



Fuel Assembly (continued)

<i>Ref.</i>	<i>Part Number</i>	<i>Qty.</i>	<i>Description</i>	<i>Ref.</i>	<i>Part Number</i>	<i>Qty.</i>	<i>Description</i>
1	163-4137	1	Fuel Tank ASM	6:2	116-4630	1	Fitting-Orifice, Straight
2	145-5778	1	Retainer-Tank, Rear	6:3	116-4344	1	Hose-Fuel
3	614672	1	Screw-Shoulder, HWH	7	147-2431	1	Neck-Filler, Fuel
4	137-4119	1	Cap-Fuel, Ratcheting	8	145-4698	1	Hose-Filler, Fuel
5	163-0110	1	Hose Assembly-Fuel/Valve	9	2412-130	2	Clamp-Hose
5:1	109-0301	1	Hose-Fuel	10	104-2490	1	Clamp-Hose
5:2	114-3766	1	Hose-Fuel	11	125-9622	1	Rivet-Blind
5:3	1-603770	1	Valve-Fuel	12	119-4042	1	Nut-HF, NI
5:4	2412-98	4	Clamp-Hose	13	161-2890	1	Bracket-Mounting, Fill
6	163-0111	1	Hose Assembly-Fuel/Vent/Orifice	14	32180-082	1	Clip-Edge W/Tie, Perpendicular
6:1	138-3152	1	Hose-Fuel	16	120-7950	2	Screw-Torx

Fuel Tank Assembly No. 163-4137

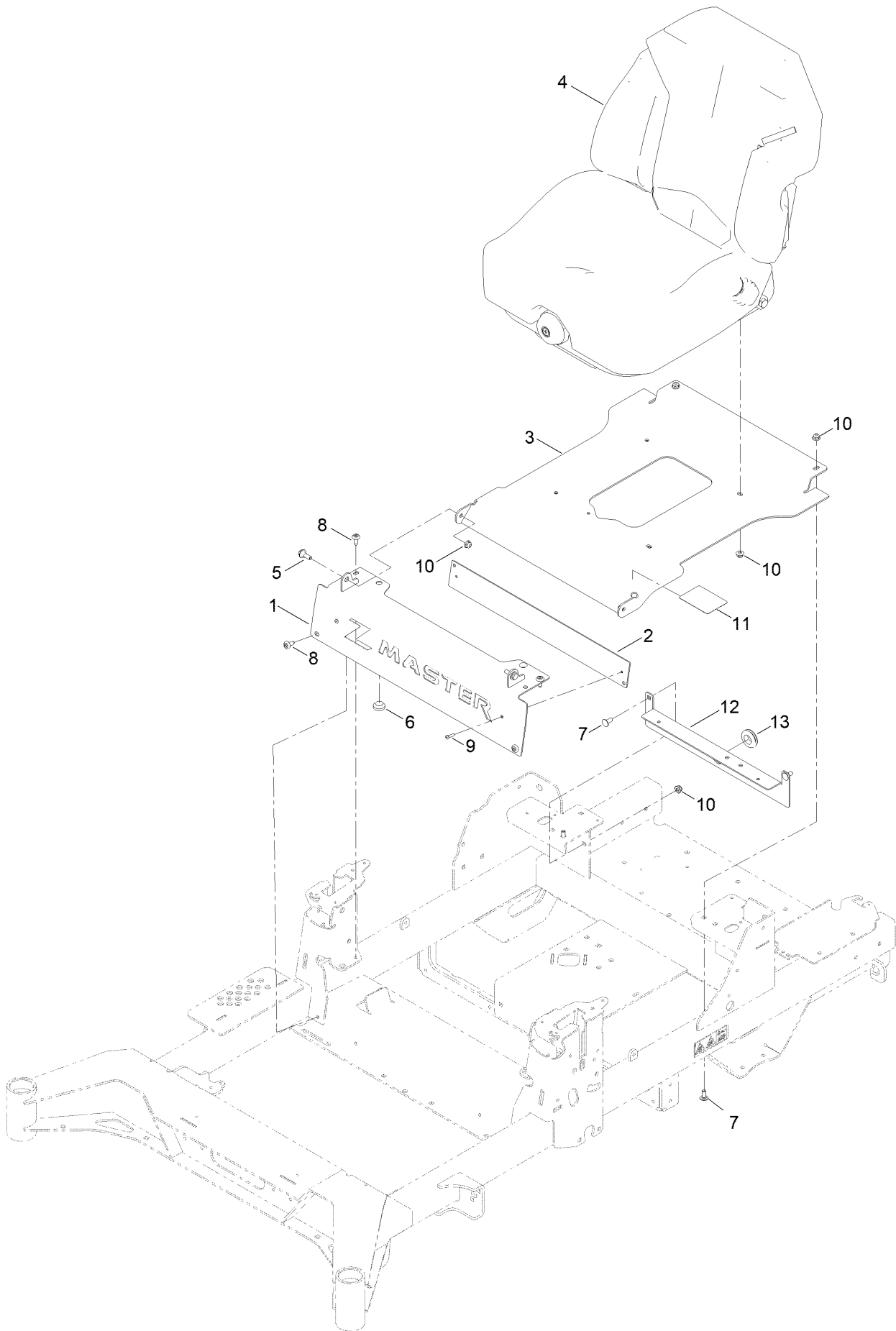


Fuel Tank Assembly No. 163-4137 (continued)

<i>Ref.</i>	<i>Part Number</i>	<i>Qty.</i>	<i>Description</i>
2	133-9269	1	Grommet-Fuel
3	139-8058	1	Gauge-Fuel
4	46-6560	2	Bushing

<i>Ref.</i>	<i>Part Number</i>	<i>Qty.</i>	<i>Description</i>
5	163-7304	1	Fitting-Elbow, 90
6	161-6744	1	Fuel Pickup With Filter ASM

Seat Mount Assembly



Seat Mount Assembly (continued)

<i>Ref.</i>	<i>Part Number</i>	<i>Qty.</i>	<i>Description</i>	<i>Ref.</i>	<i>Part Number</i>	<i>Qty.</i>	<i>Description</i>
1	145-7025-03	1	Badge Plate ASM [black]	8	138-9753	4	Screw
2	147-4954-01	1	Plate-Backer	9	130-8451	2	Rivet-Trifold
3	147-7354-03	1	Pan-Seat	10	119-4041	10	Nut-HF
4	147-2384	1	Seat ASM-Suspension	11	144-2669	1	Decal-Service Aid
5	116-2670	2	Screw-Shoulder	12	147-2362-03	1	Bracket-Firewall
6	135-0505	2	Bumper-Seat	13	1-543286	1	Grommet
7	137-3061	4	Bolt-CARR				

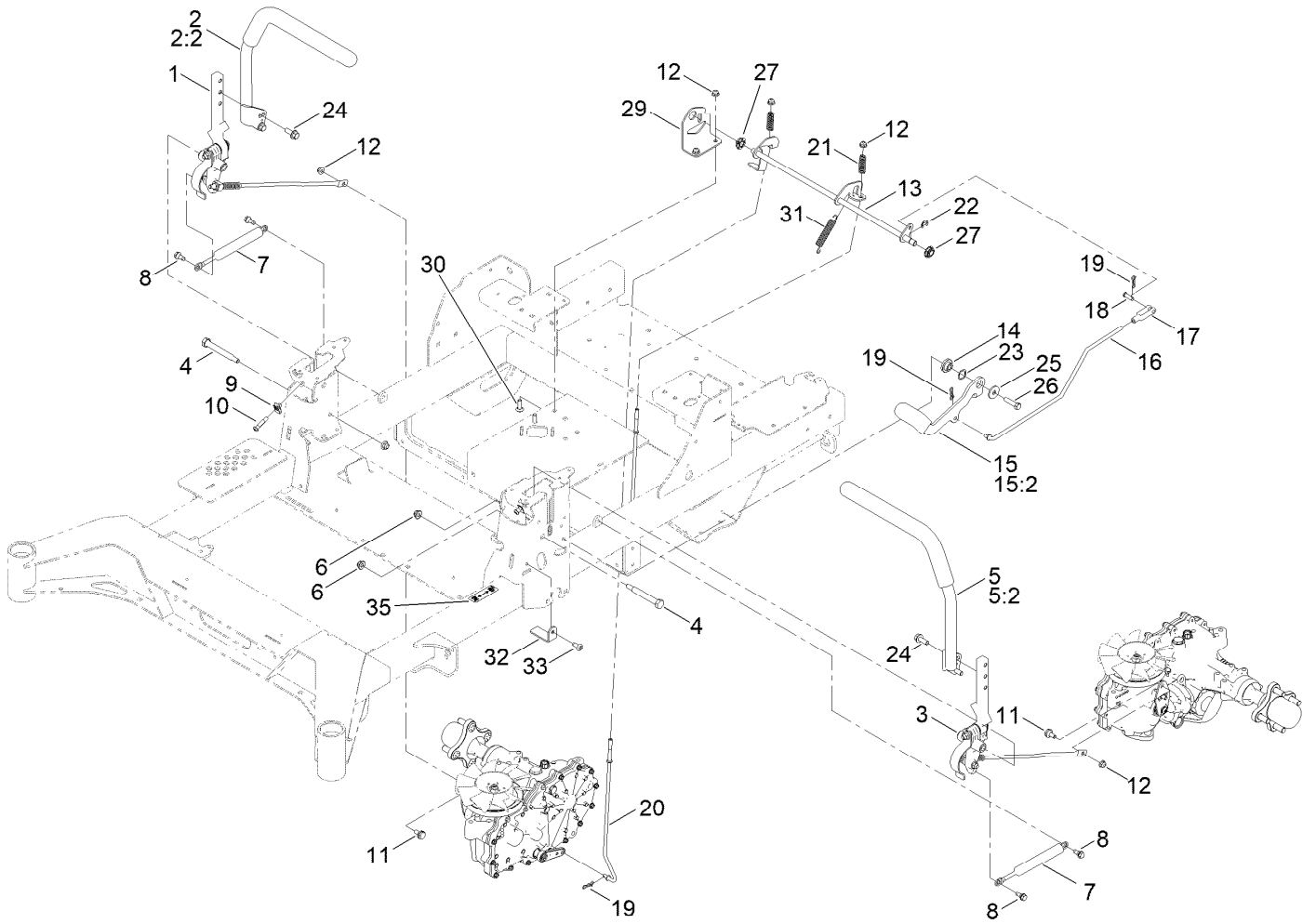
Seat Assembly No. 147-2384



Seat Assembly No. 147-2384 (continued)

<i>Ref.</i>	<i>Part Number</i>	<i>Qty.</i>	<i>Description</i>	<i>Ref.</i>	<i>Part Number</i>	<i>Qty.</i>	<i>Description</i>
1	126-8558	1	Tracks-4" Travel	5	147-7367	1	Cover-Back, Seat
2	116-8911	1	Knob-Adjuster	6	147-7368	1	Cover-Bottom, Suspension Seat
3	146-0595	1	Seat Belt Kit				
4	82-2190	1	Switch-Bail				

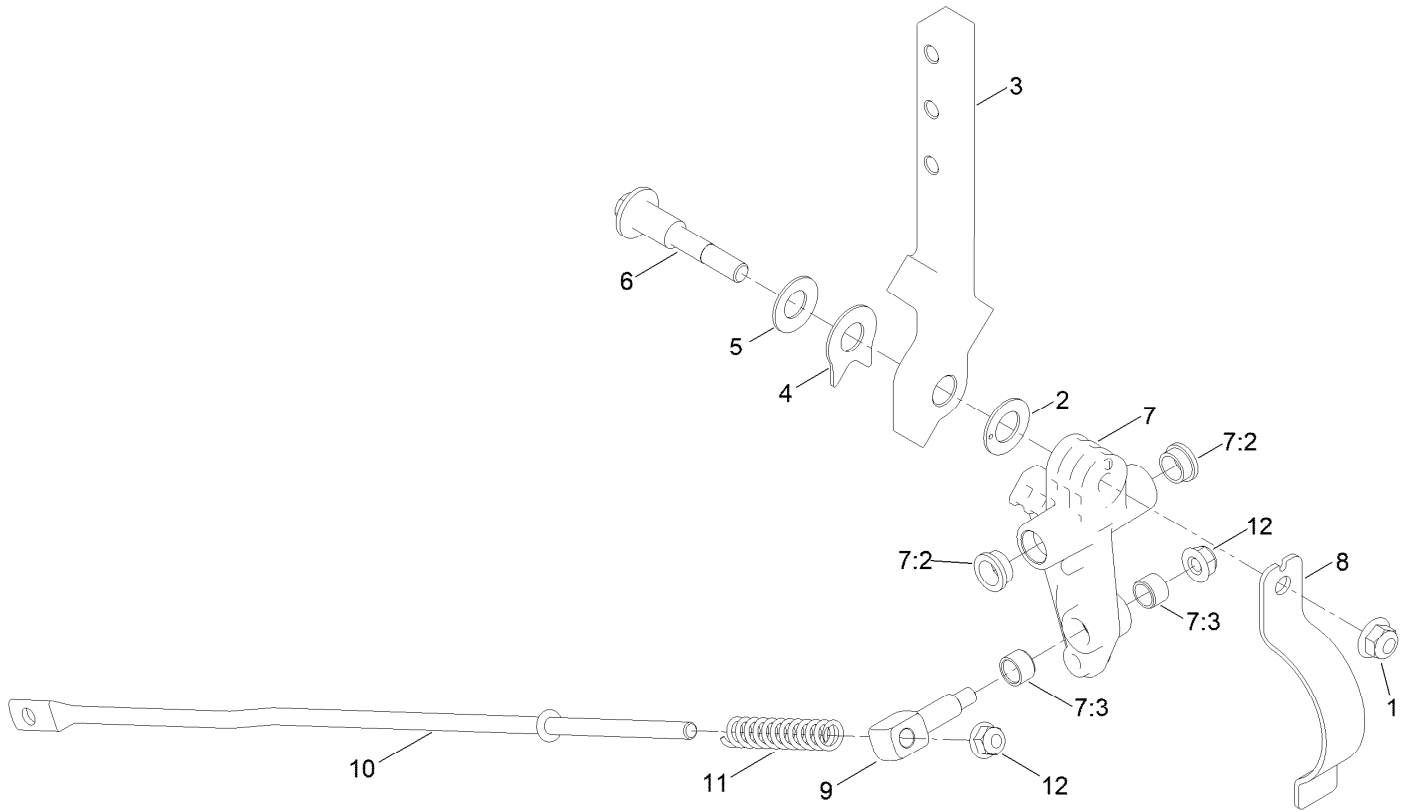
Motion Control Assembly



Motion Control Assembly (continued)

<i>Ref.</i>	<i>Part Number</i>	<i>Qty.</i>	<i>Description</i>	<i>Ref.</i>	<i>Part Number</i>	<i>Qty.</i>	<i>Description</i>
1	145-5725	1	Motion Control ASM-RH	16	145-5722	1	Linkage-Brake, Upper
2	147-2390	1	RH Handle ASM	17	1-303105	1	Yoke-Adjustable
2:2	109-5668	1	Grip-Lever, Control	18	1-808280	1	Pin-Clevis
3	145-5724	1	Motion Control ASM-LH	19	119-1415	4	Pin-Cotter, Locking
4	115-5099	2	Bolt-Pivot	20	126-7217	2	Linkage-Brake, Lower
5	147-2391	1	LH Handle ASM	21	109-7694	2	Spring-Compression
5:2	109-5668	1	Grip-Lever, Control	22	32120-47	1	Ring-Retaining, External
6	119-4042	3	Nut-HF, NI	23	119-4164	1	Washer-Wave
7	142-6851	2	Damper	24	110-5052	4	Screw-HHF
8	126-4424	4	Screw-Shoulder	25	2844	1	Washer
9	112-3306	2	Nut	26	323-8	1	Screw-HH
10	126-4299	2	Screw-HSBH	27	126-5820	2	Bearing-Spherical
11	37-8771	2	Bolt-Shoulder, HF	29	145-5726	1	Bracket-Brake
12	119-4041	6	Nut-HF	30	3230-22	2	Screw-CARR
13	145-5719	1	Shaft-Brake	31	109-7124	1	Spring-Extension
14	126-5989	1	Pivot-Flange	32	145-3685	2	Plate-Stop, Rtn
15	147-7375	1	Lever-Brake	33	138-9753	2	Screw
15:2	132-4749	1	Grip-Lever	35	115-9625	1	Decal-Brake, Parking

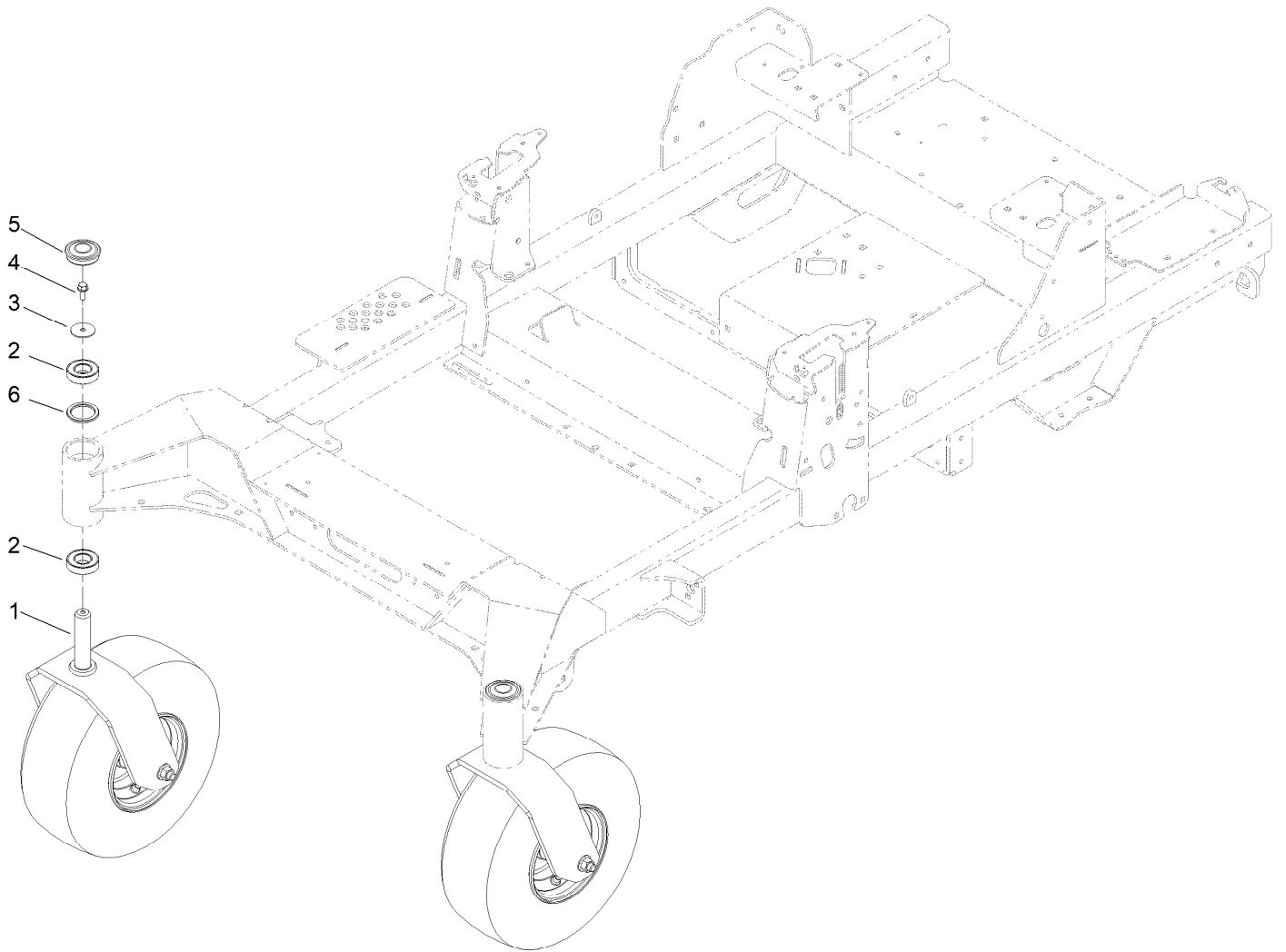
Left and Right Motion Control Assembly



Left and Right Motion Control Assembly (continued)

<i>Ref.</i>	<i>Part Number</i>	<i>Qty.</i>	<i>Description</i>	<i>Ref.</i>	<i>Part Number</i>	<i>Qty.</i>	<i>Description</i>
1	119-4042	1	Nut-HF, NI	7:2	126-8909	2	Bushing
2	126-7296	1	Washer-Friction	7:3	1-413152	2	Bushing-Sleeve
3	147-2389	1	Arm-Control	8	145-5799	1	Spring-Rtn
4	142-8478	1	Spacer, Anti-Rotation	9	126-5434	1	Swivel
5	119-8925	1	Washer-Belleville	10	145-5723	1	Link-Control
6	117-1198	1	Bolt-Pivot	11	126-8195	1	Spring-Return, Neutral
7	145-5798	1	ASM-Control Arm	12	119-4041	2	Nut-HF

Front Caster Wheel Assembly

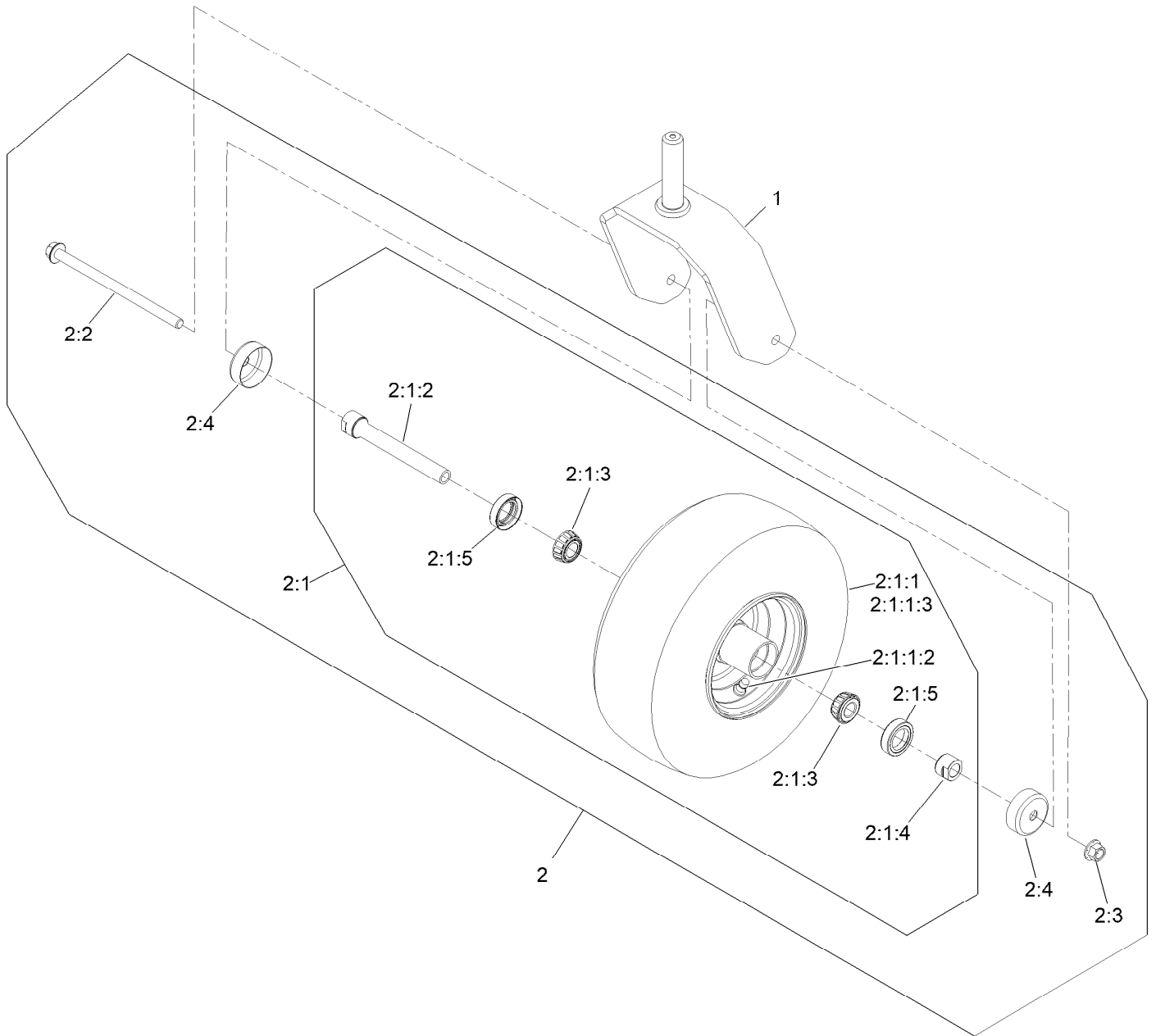


Front Caster Wheel Assembly (continued)

<i>Ref.</i>	<i>Part Number</i>	<i>Qty.</i>	<i>Description</i>	<i>Ref.</i>	<i>Part Number</i>	<i>Qty.</i>	<i>Description</i>
1		2	ASM, Front Caster W/ Fork ●	4	100-1668	2	Screw-HHF
2	109-3678	4	Bearing-Ball	5	144-0375	2	Cap-Grease
3	3256-68	2	Washer-Flat	6	145-3660	2	Spacer-Bearing

● Not serviced separately

Fork and Caster Wheel Assembly

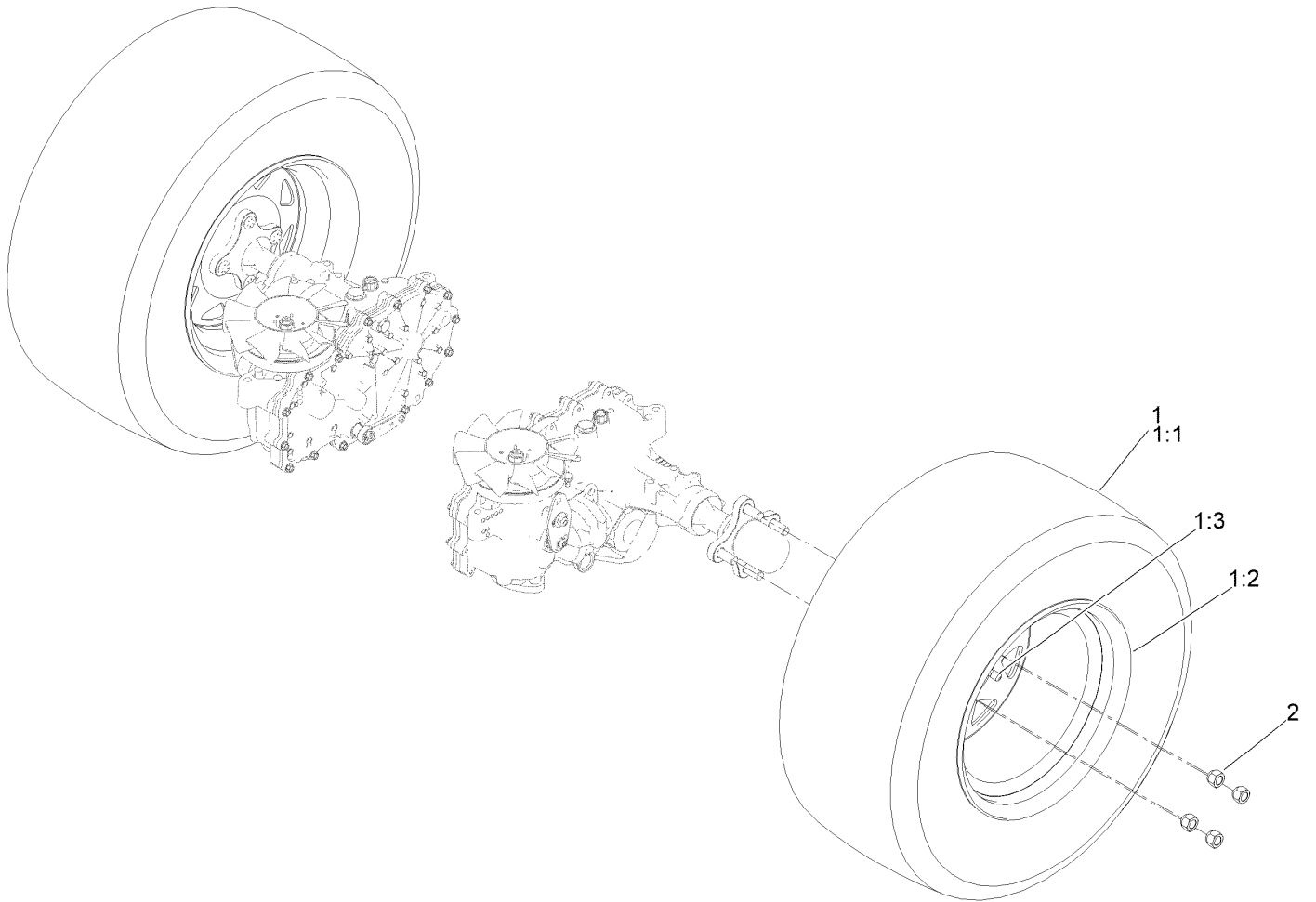


Fork and Caster Wheel Assembly (continued)

<i>Ref.</i>	<i>Part Number</i>	<i>Qty.</i>	<i>Description</i>	<i>Ref.</i>	<i>Part Number</i>	<i>Qty.</i>	<i>Description</i>
1	142-7827-01	1	Fork-Caster	2:1:2	126-7796	1	Caster Axle ASM
2	139-3639	1	ASM-Pneumatic 13X6.50-6	2:1:3	1-633585	2	Bearing-Cone, Taper
2:1		1	Wheel And Bearings ASM ●	2:1:4	103-3051	1	Spacer-Nut
2:1:1		1	Wheel And Tire ASM 13X6.5-6 ●	2:1:5	103-0063	2	Seal-Caster
2:1:1:2	5108	1	Valve	2:2	126-5389	1	Screw-HHF
2:1:1:3	126-5959	1	Tire	2:3	139-1689	1	Nut-HF
				2:4	103-2768	2	Guard-Seal

● Not serviced separately

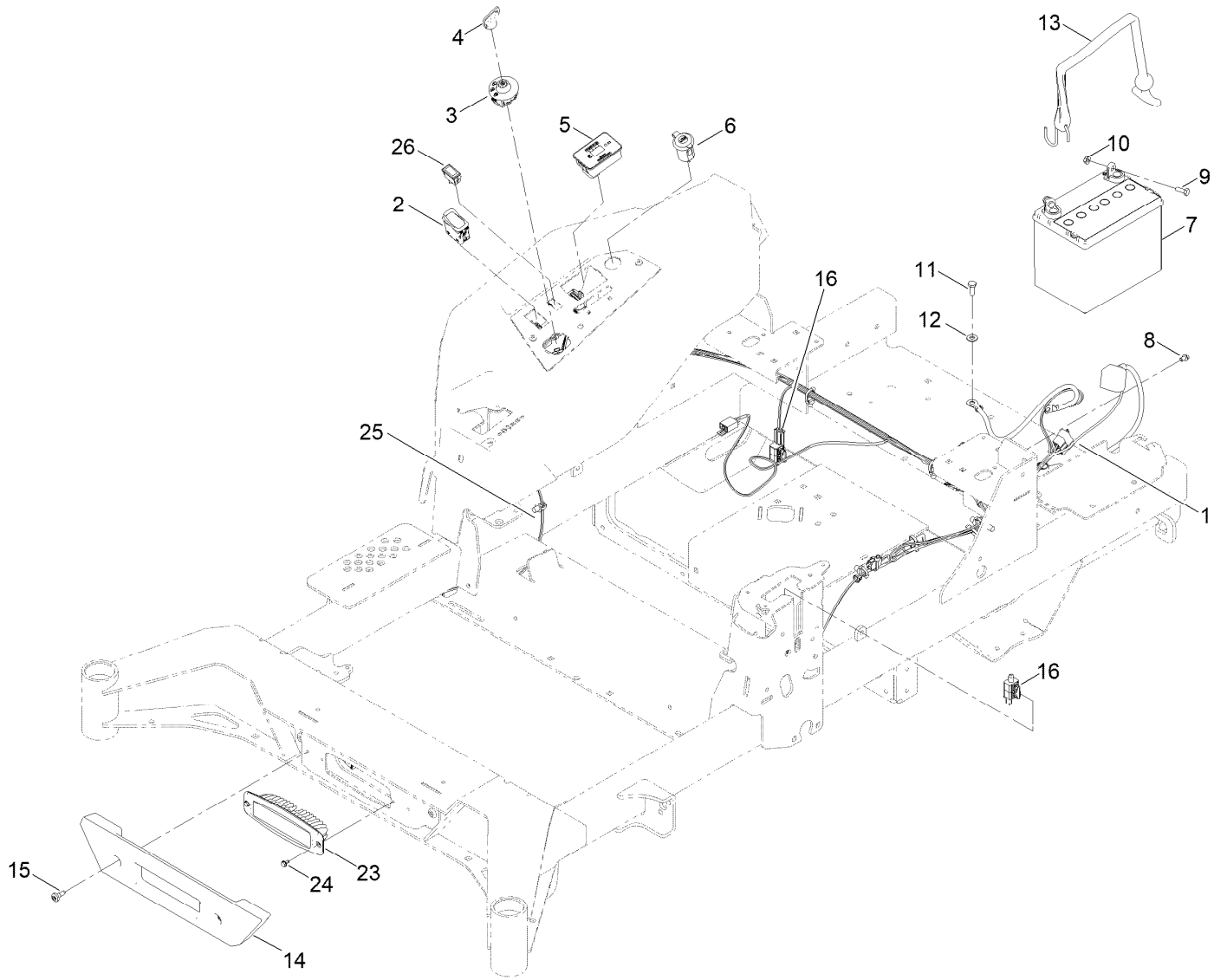
Rear Drive Wheel Assembly



Rear Drive Wheel Assembly (continued)

<i>Ref.</i>	<i>Part Number</i>	<i>Qty.</i>	<i>Description</i>	<i>Ref.</i>	<i>Part Number</i>	<i>Qty.</i>	<i>Description</i>
1	147-5031	2	ASM-Voodoo Trac 24X12-12	1:2	144-6606	1	Wheel
1:1	147-5034	1	Tire-Voodoo 24X12-12	1:3	232-27	1	Stem-Valve
				2	139-2564	8	Nut-Lug

Electrical Assembly



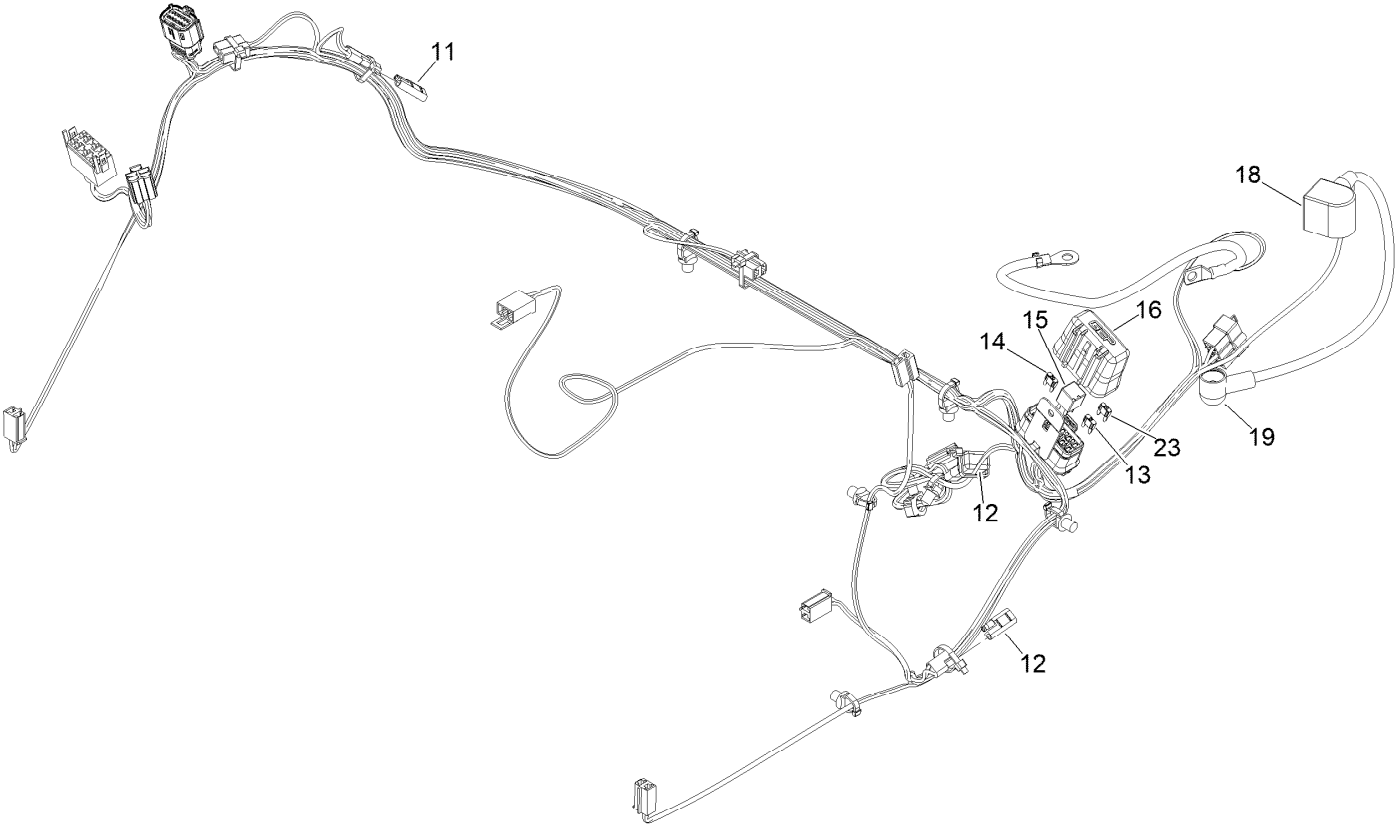
Electrical Assembly (continued)

<i>Ref.</i>	<i>Part Number</i>	<i>Qty.</i>	<i>Description</i>	<i>Ref.</i>	<i>Part Number</i>	<i>Qty.</i>	<i>Description</i>
1	147-2363	1	Harness-Wire, Zmaster	12	33094-00	1	Washer-Plain
2	139-6368	1	Switch-Rocker, On-None-On	13	142-8697	1	Strap, Bungee
3	137-4100	1	Switch-Ignition	14	147-7853	1	Bumper-Front
4	63-8360	1	Key-Ignition	15	135-2015	2	Screw-Shoulder
5	116-5609	1	Module ASM	16	110-6765	3	Switch
6	140-7955	1	Port-Power, USB	23	139-8089	1	Light - Flush Mount
7	104-8162	1	Battery	24	104-2065	2	Screw-HWH
8	99-8445	1	Screw-HWH	25	140-1213	1	Harness-Wire, Light Kit
9	321-4	2	Screw-HH	26	92-8875	1	Switch-Rocker
10	32128-33	2	Nut-HF	99	1-603511	1	Keys-Ignition (Spare Pair) ● ■
11	33114-020	1	Screw-HH				

● Not illustrated

■ Optional Equipment

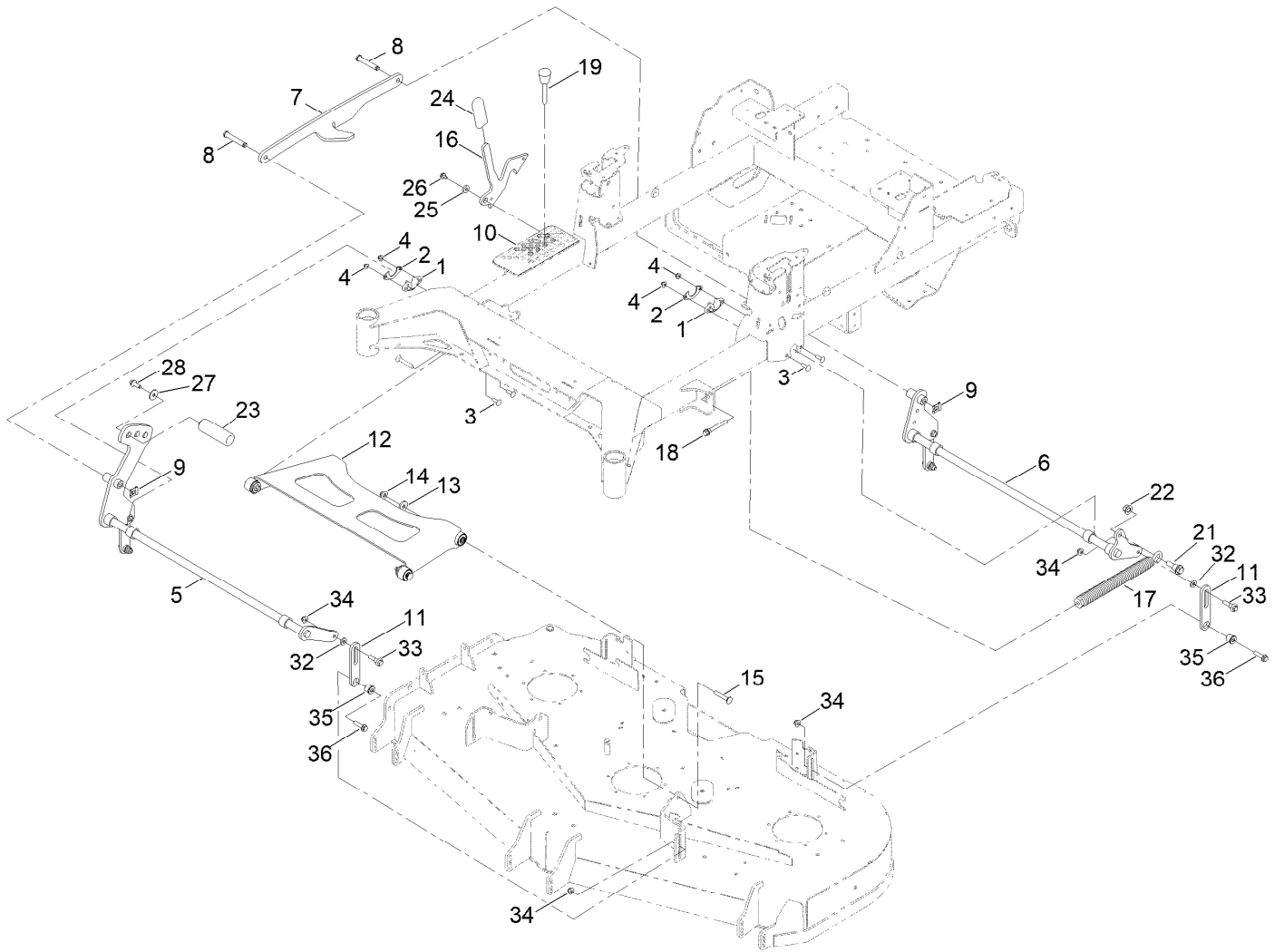
Wire Harness Assembly No. 147-2363



Wire Harness Assembly No. 147-2363 (continued)

<i>Ref.</i>	<i>Part Number</i>	<i>Qty.</i>	<i>Description</i>	<i>Ref.</i>	<i>Part Number</i>	<i>Qty.</i>	<i>Description</i>
11	116-0053	2	Cap-Plug	16	32180-176	1	Cover-Block, Fuse
12	103-3895	1	Diode	18	126-8876	1	Insulator-Battery
13	121-8867	1	Fuse-Mini Blade, 15 Amp	19	1-543393	1	Insulator-Solenoid
14	121-8868	1	Fuse-Mini Blade, 20 Amp	23	121-8869	1	Fuse-Mini Blade, 25 Amp
15	126-3991	1	Relay-Micro				

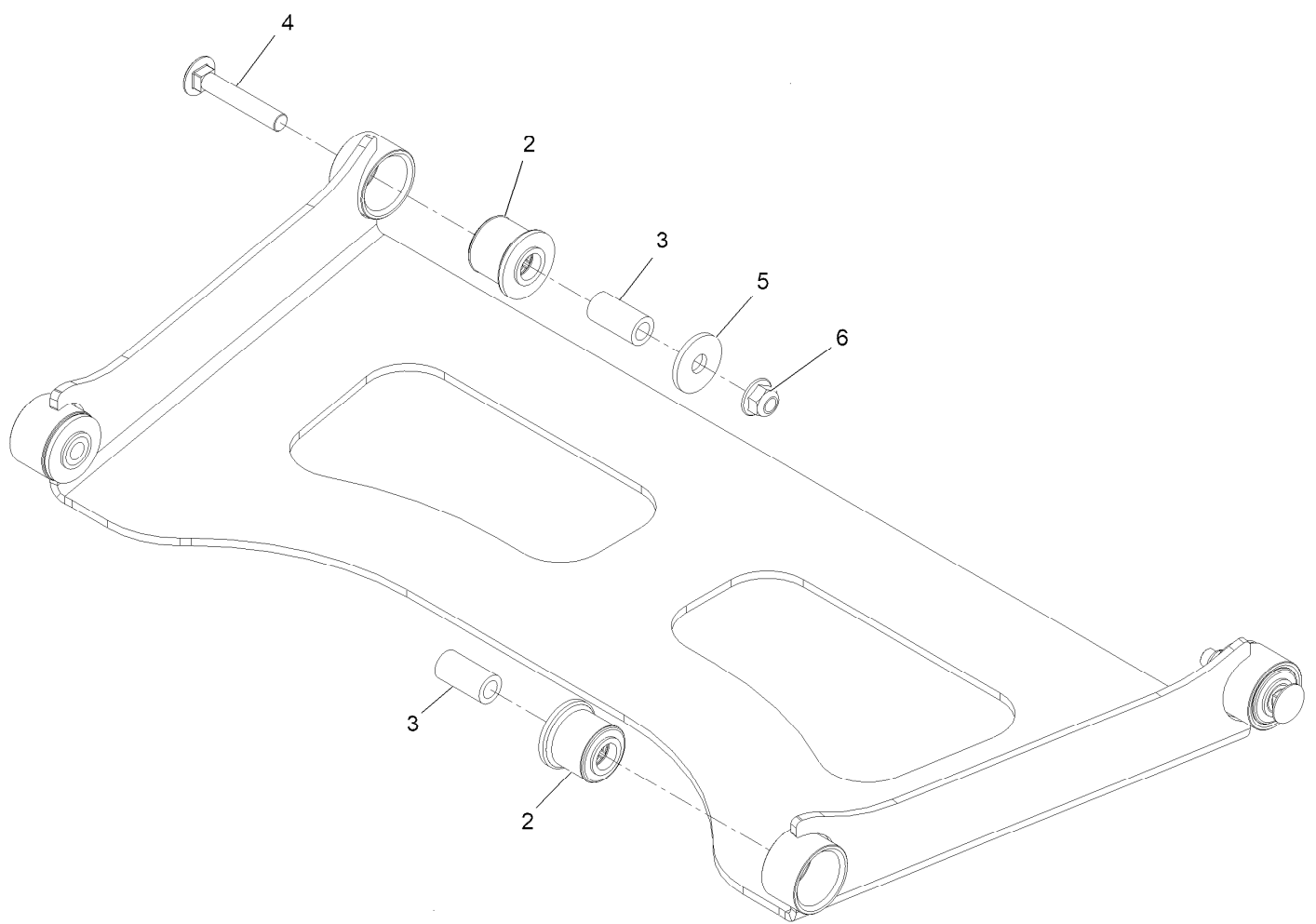
Deck Lift Assembly



Deck Lift Assembly (continued)

<i>Ref.</i>	<i>Part Number</i>	<i>Qty.</i>	<i>Description</i>	<i>Ref.</i>	<i>Part Number</i>	<i>Qty.</i>	<i>Description</i>
1	139-5872	4	Bearing-Flange	17	116-0886	1	Spring-Extension
2	116-2887	4	Gusset-Lift, Deck	18	92-7674	1	Bolt-Shoulder
3	3230-22	8	Screw-CARR	19	126-5401	1	Pin-HOC
4	119-4041	8	Nut-HF	21	116-0780	1	Screw-Shoulder, HHF
5	139-8050-03	1	Front Deck Lift Shaft ASM	22	139-1689	1	Nut-HF
6	140-4975-03	1	Shaft-Lift, Deck	23	147-7949	1	Pedal-Foot Lift
7	126-4639-03	1	Link-HOC	24	132-4749	1	Grip-Lever
8	126-9181	2	Pin-Clevis	25	104-7658	1	Spacer
9	138-8491	2	Clip-Pin	26	9266934	1	Screw
10	147-2360	1	Decal-HOC	27	2844	1	Washer
11	161-9818-03	4	Link-Lift, Deck	28	3234-42	1	Screw-HHF
12	161-6805	1	ASM-Deck Strut W/Bushings	32	43-0940	4	Spacer
13	1-373034	2	Washer	33	130-0742	4	Bolt-Shoulder
14	109-6658	2	Nut-Flange, NI	34	119-4042	8	Nut-HF, NI
15	3231-7	2	Screw-CARR	35	161-9819	4	Bushing-Deck Lift
16	145-8475-03	1	Plate-Transport Lock	36	3234-18	4	Screw-HHF

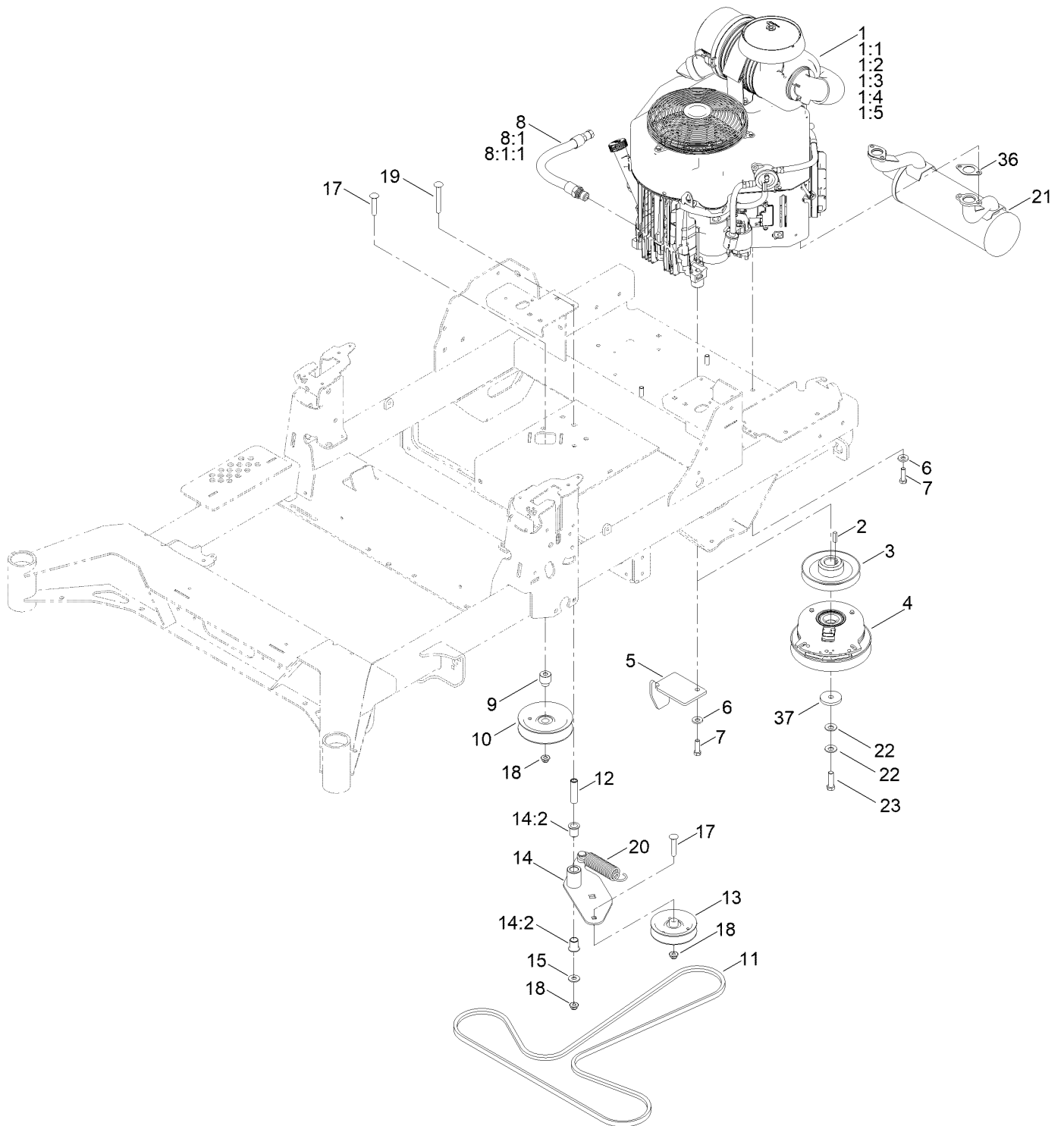
Deck Strut Assembly No. 161-6805



Deck Strut Assembly No. 161-6805 (continued)

<i>Ref.</i>	<i>Part Number</i>	<i>Qty.</i>	<i>Description</i>	<i>Ref.</i>	<i>Part Number</i>	<i>Qty.</i>	<i>Description</i>
2	126-8360	4	Bushing-Rubber, Suspension	4	3231-7	2	Bolt-Carriage 3/8-16 X 2 1/4
3	108-6544	4	Spacer	5	2844	2	Washer
				6	119-4042	2	Nut-HF, NI

Engine, Clutch and Muffler Assembly



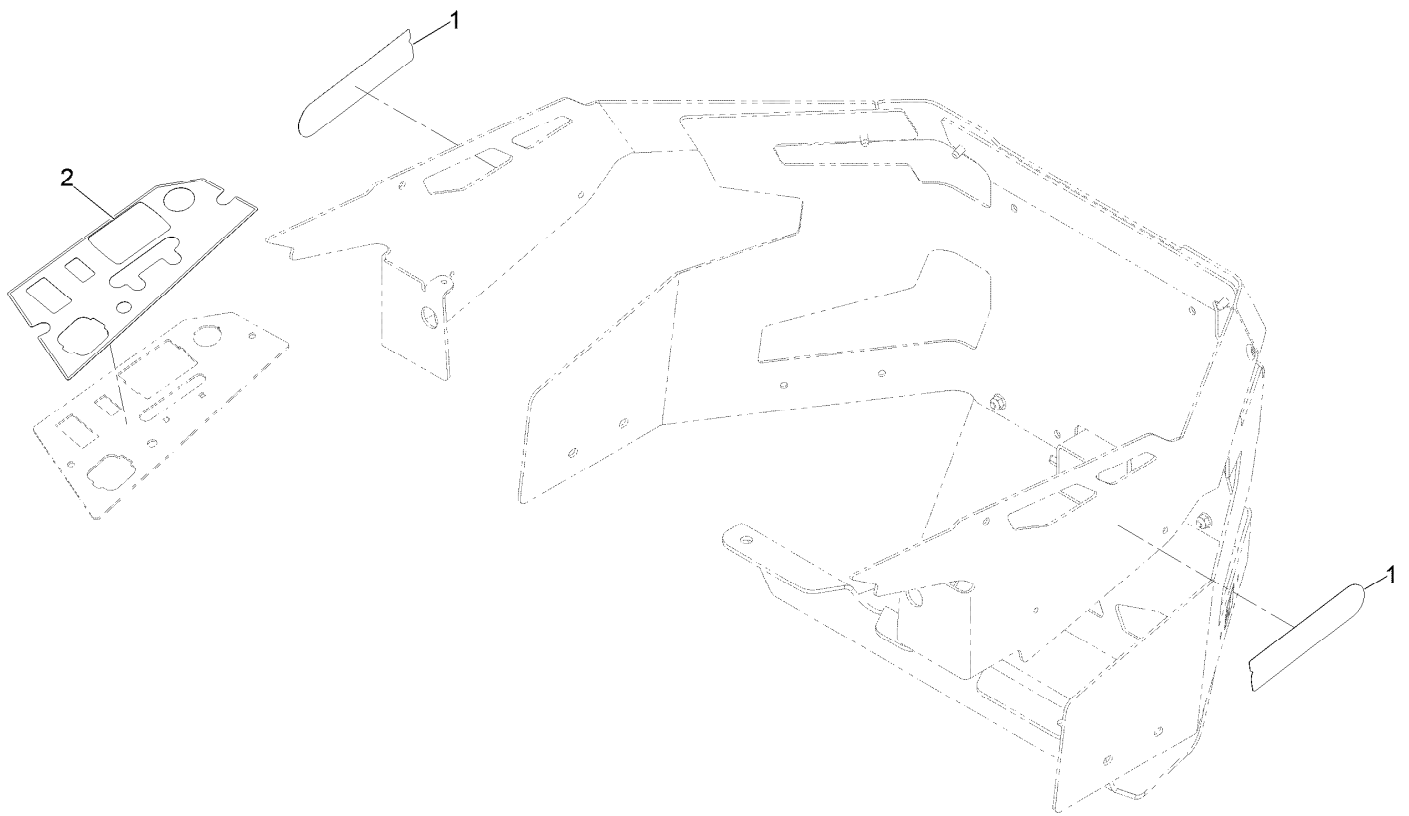
Engine, Clutch and Muffler Assembly (continued)

<i>Ref.</i>	<i>Part Number</i>	<i>Qty.</i>	<i>Description</i>	<i>Ref.</i>	<i>Part Number</i>	<i>Qty.</i>	<i>Description</i>
1		1	Engine-Kawasaki, Fx730V ■▲	9	126-7684	1	Bushing-Idler
1:1	119-5852	1	Filter-Oil	10	132-4718	1	Pulley-Idler, Flat
1:2	142-6949	1	Filter-Fuel	11	145-5727	1	Belt-V
1:3	119-5945	1	Element-Filter, Air (Inner)	12	139-6690	1	Bushing, Idler Pivot
1:4	119-5944	1	Element-Filter, Air (Outer)	13	140-4964	1	Pulley-Idler, Flat
1:5	92-2153	2	Plug-Spark	14	145-5731	1	Idler Arm ASM
2	1-807259	1	Key	14:2	138-2573	1	Bushing-Flange
3	126-5358	1	Sheave (W/Hub)	15	3256-4	1	Washer-Flat
4	147-2401	1	Clutch 6.75, 105 Ftlb, 1.125 Dd	17	117-9971	2	Bolt-Carriage
5	140-1190	1	Anchor-Clutch	18	119-4042	3	Nut-HF, NI
6	98-5975	4	Washer-Belleville	19	3231-42	1	Screw-CARR
7	323-7	4	Screw-HH	20	138-7264	1	Spring-Extension
8	116-4924	1	Engine Oil Drain Hose ASM	21	126-4360	1	Muffler
8:1	353-508	1	Plug-HH ●	22	1-603610	2	Washer-Spring
8:1:1	237-42	1	O-Ring	23	109-9761	1	Screw-HH
				36	1-653313	2	Gasket-Exhaust
				37	109-6919	1	Washer-Plain

● Torque to 24-26 ft-lb
▲ Obtain parts from www.kawpower.com

■ Not serviced separately

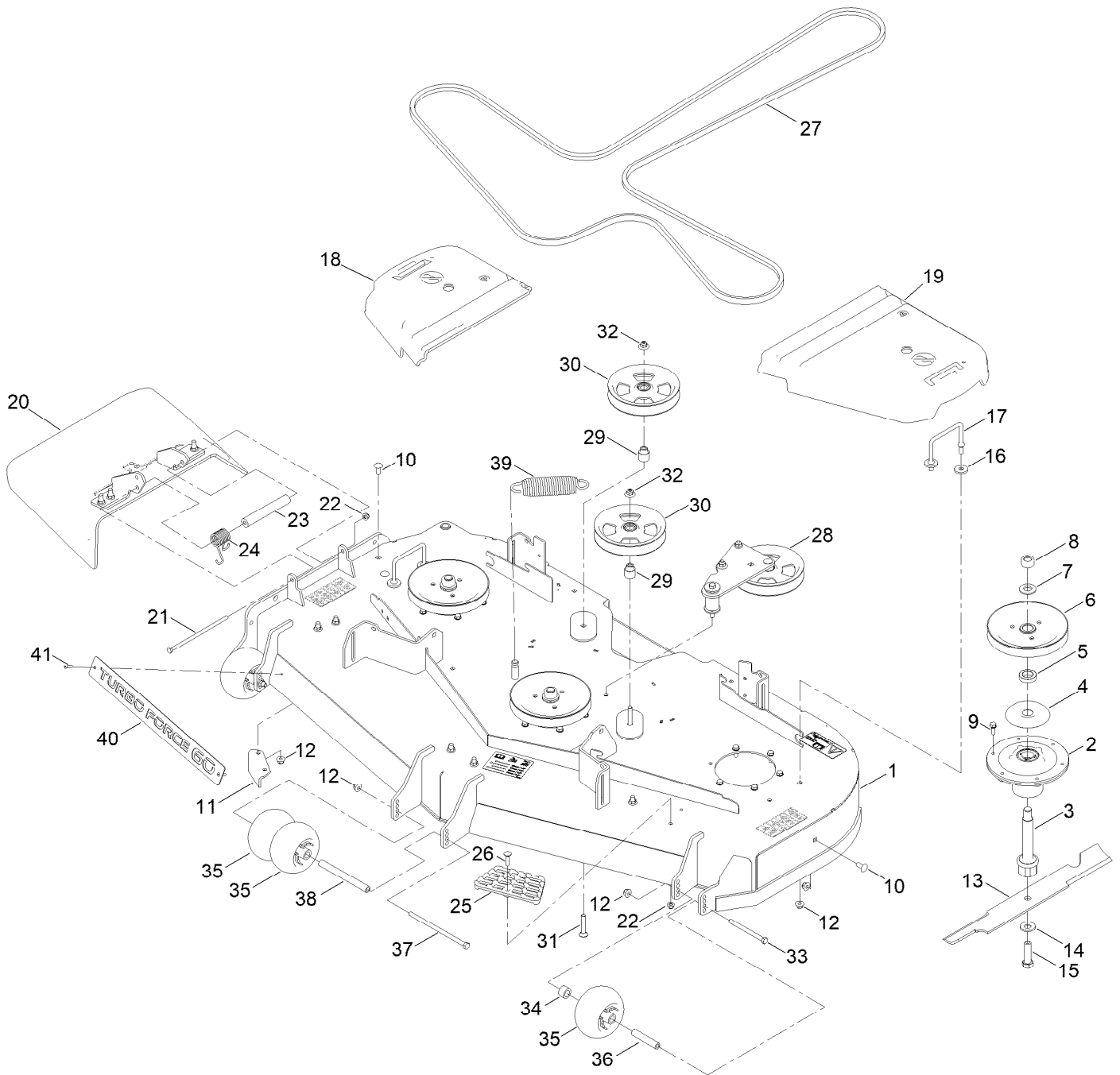
Decal Assembly



Decal Assembly (continued)

<i>Ref.</i>	<i>Part Number</i>	<i>Qty.</i>	<i>Description</i>
1	145-8407	2	Decal-2000 Series
2	147-4953	1	Decal-Panel, Control

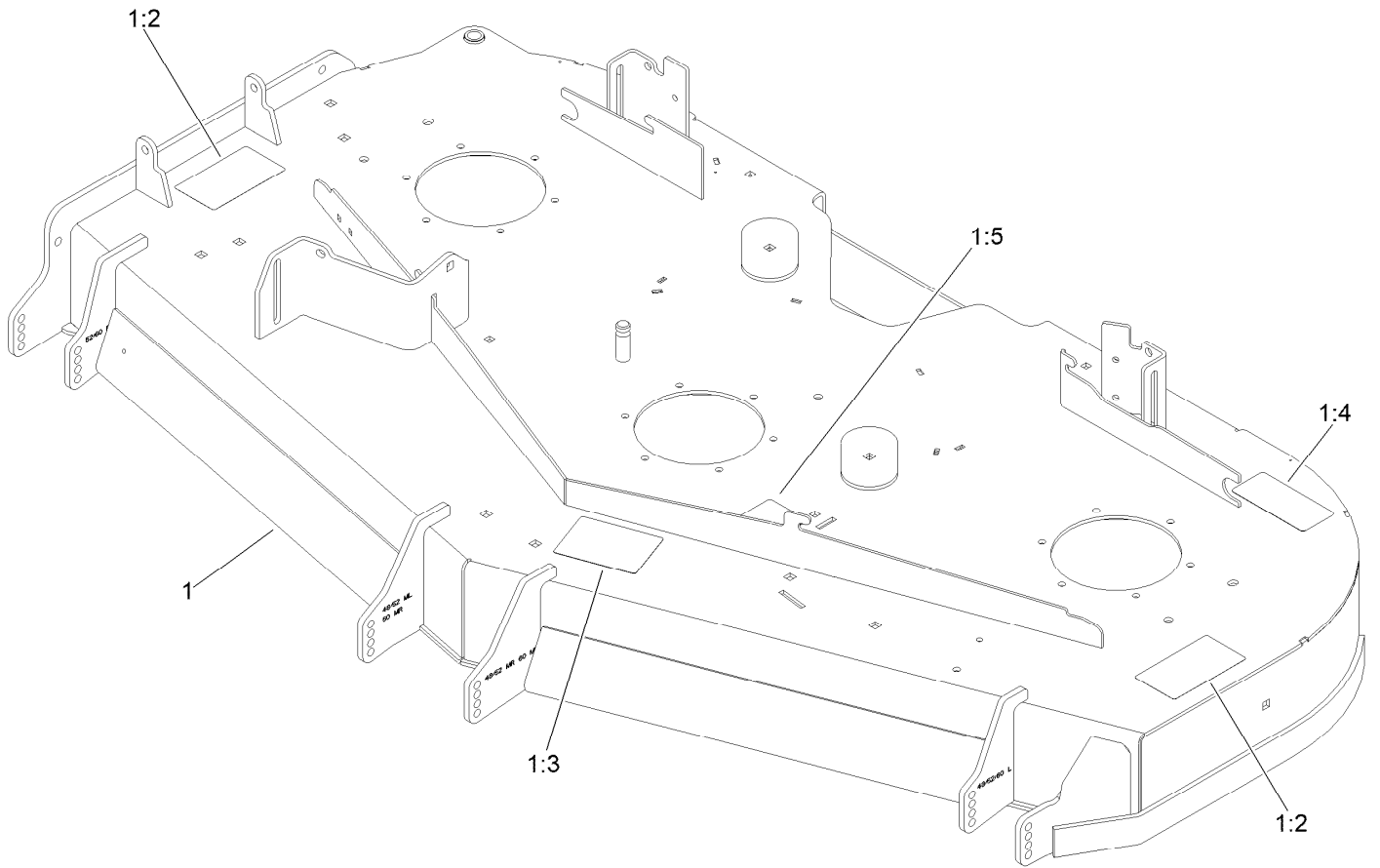
Deck Assembly



Deck Assembly (continued)

<i>Ref.</i>	<i>Part Number</i>	<i>Qty.</i>	<i>Description</i>	<i>Ref.</i>	<i>Part Number</i>	<i>Qty.</i>	<i>Description</i>
1	147-7373	1	Deck Decal ASM	21	322-50	1	Screw-HH
2	139-2357	3	Spindle ASM	22	119-4041	2	Nut-HF
3	133-2126	3	Shaft-Spindle	23	105-4622	1	Spacer
4	117-7210	3	Shield-Bearing	24	108-4052	1	Spring-Torsion
5	147-2381	3	Spacer-Pulley	25	126-4781-03	1	Step-Deck
6	138-6059	3	Sheave-Drive, Blade	26	3230-3	1	Screw-CARR
7	103-2802	3	Washer	27	163-7384	1	Belt-5V
8	116-7306	3	Nut-Hex	28	139-1087	1	Idler Arm ASM
9	32144-41	18	Screw-Taptite	29	139-8061	2	Bushing, Idler
10	3231-27	9	Screw-CARR	30	132-9424	2	Pulley-Idler, Flat
11	107-8541-01	1	Baffle-Discharge	31	3231-7	2	Screw-CARR
12	119-4042	16	Nut-HF, NI	32	109-6658	2	Nut-Flange, NI
13	133-2127	3	Blade-Rotary, 20.5In (Hi Flow)	33	323-23	2	Screw-HH
14	125-1736	3	Washer-Belleville	34	133-2128	2	Tube-Spacer
15	51-4060	3	Screw-Blade	35	1-603299	4	Roller-Scalp, Anti
16	1-373034	4	Washer	36	133-2129	2	Tube-Shafting
17	109-6982	2	Wireform-Cover	37	108-5388	1	Screw-HH
18	116-0094	1	Cover-Belt, RH	38	98-5967	1	Spacer-Wheel
19	109-6938	1	Cover-Belt, LH	39	116-6317	1	Spring-Extension
20	144-2635	1	Rubber Deflector ASM	40	147-4631-03	1	Plate-Turbo Force
				41	130-8451	2	Rivet-Trifold

Deck Decal Assembly No. 147-7373

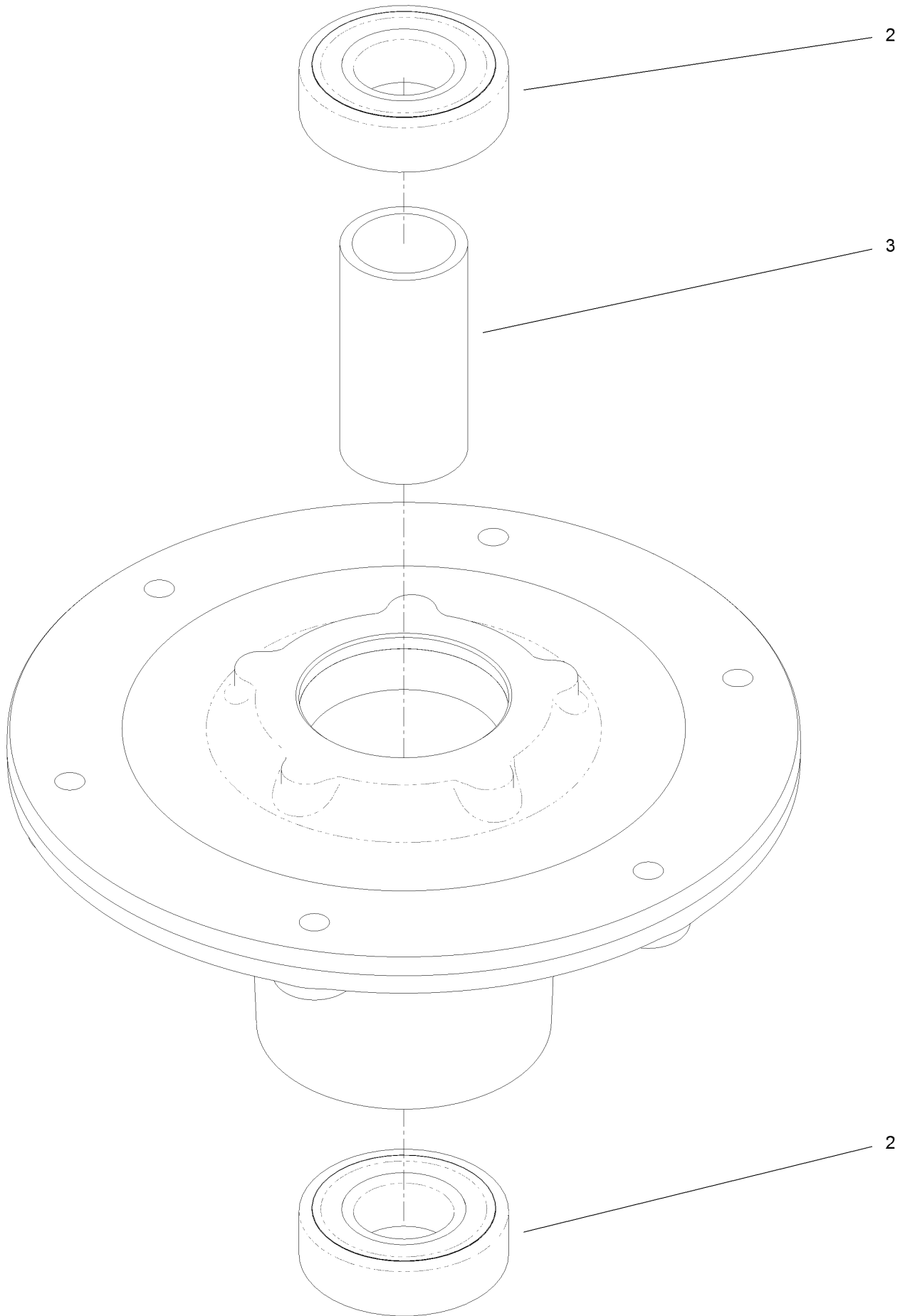


Deck Decal Assembly No. 147-7373 (continued)

<i>Ref.</i>	<i>Part Number</i>	<i>Qty.</i>	<i>Description</i>	<i>Ref.</i>	<i>Part Number</i>	<i>Qty.</i>	<i>Description</i>
1		1	ASM-Deck W/Decals ●	1:4	93-7818	1	Decal-Torque, Blade Bolt
1:2	161-6620	2	Decal-Danger, Deck	1:5	109-6035	1	Decal-Routing, Belt
1:3	127-0326	1	Decal-Scalp, Anti				

● Not serviced separately

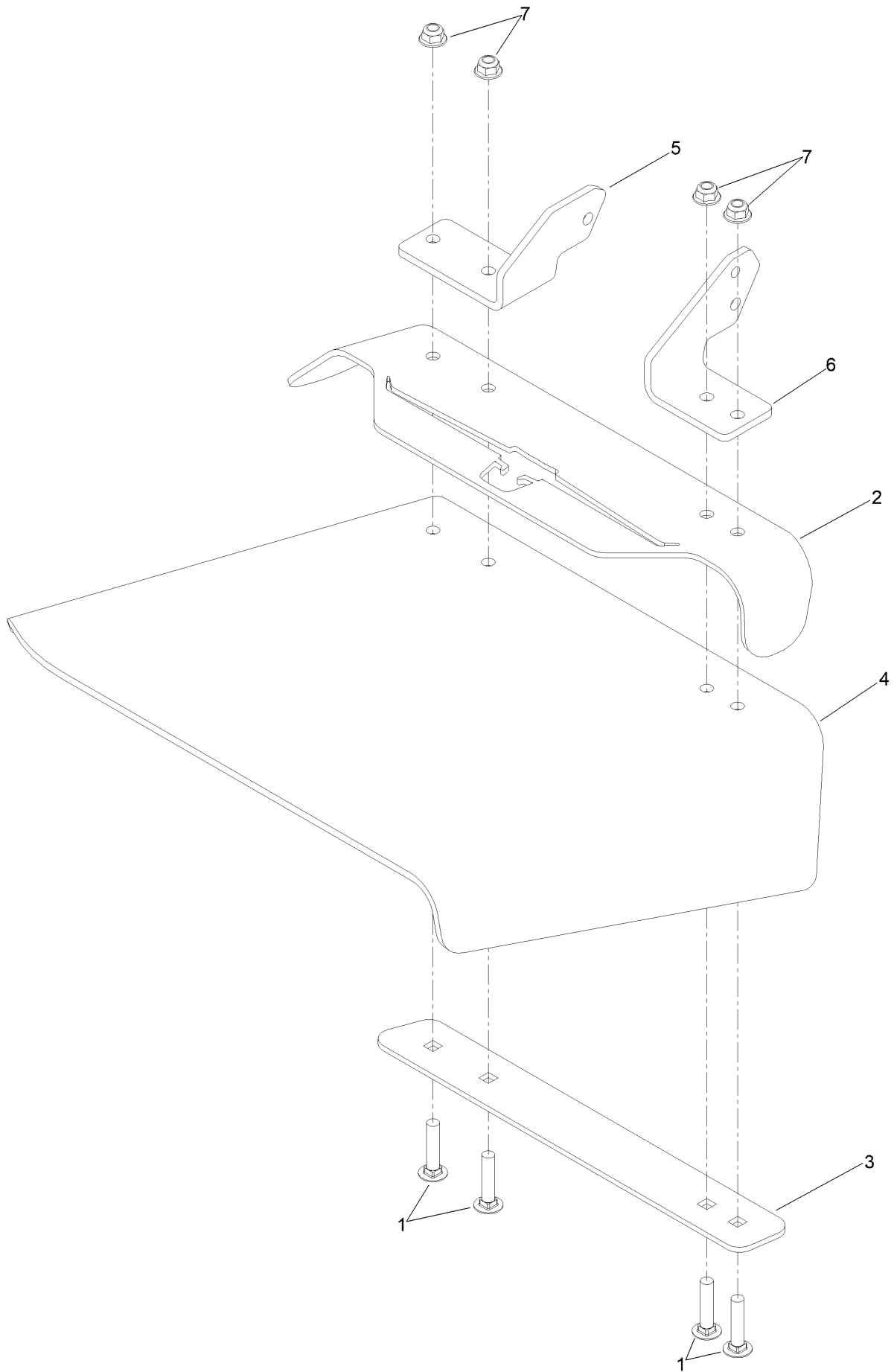
Spindle Assembly No. 139-2357



Spindle Assembly No. 139-2357 (continued)

<i>Ref.</i>	<i>Part Number</i>	<i>Qty.</i>	<i>Description</i>
2	116-0720	2	Bearing-Ball
3	138-7220	1	Spacer-Bearing

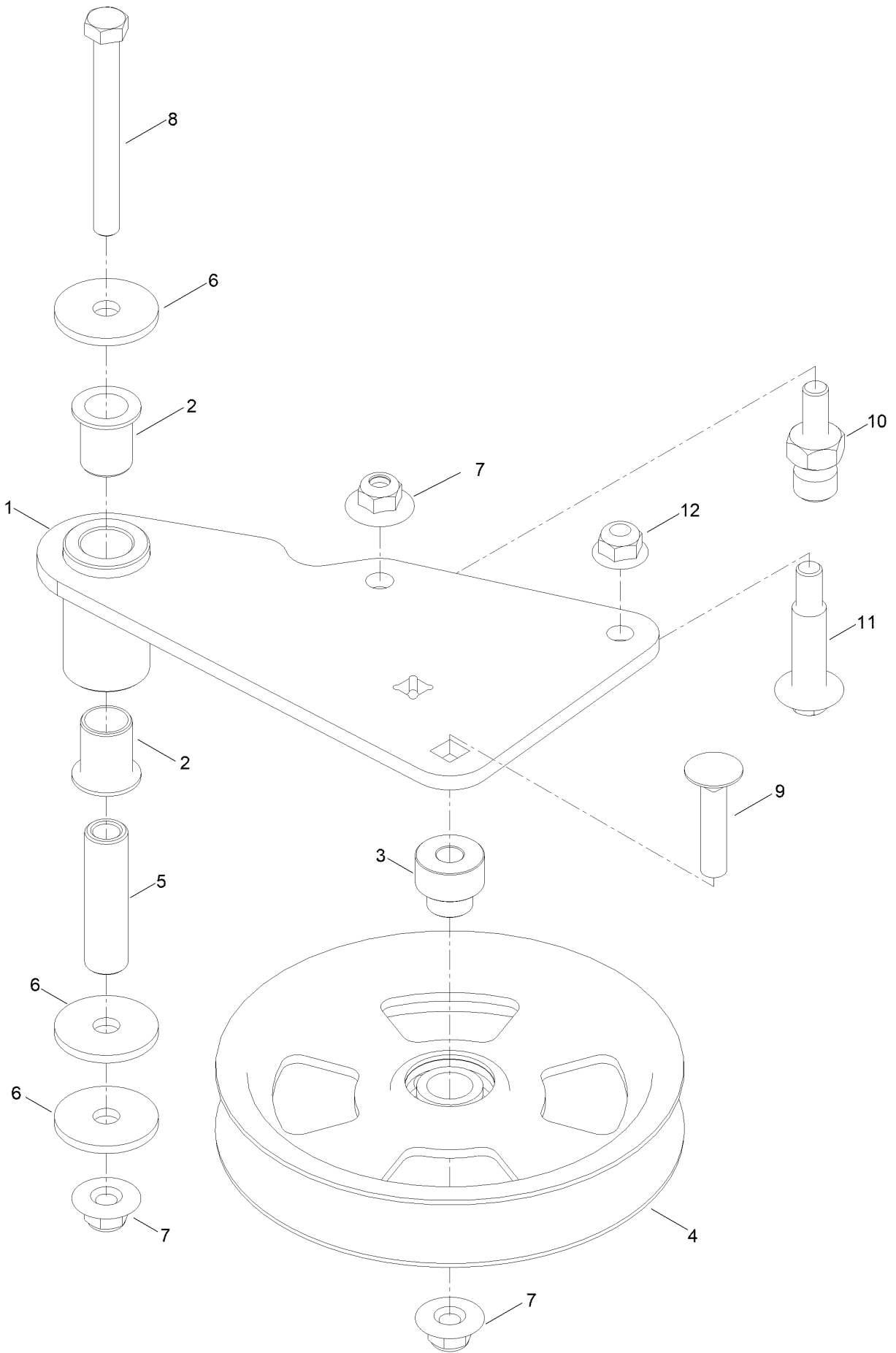
Deflector Assembly No. 144-2635



Deflector Assembly No. 144-2635 (continued)

<i>Ref.</i>	<i>Part Number</i>	<i>Qty.</i>	<i>Description</i>	<i>Ref.</i>	<i>Part Number</i>	<i>Qty.</i>	<i>Description</i>
1	3231-5	4	Screw-CARR	5	108-4059-01	1	Plate-Hinge, Rear
2	161-9815-01	1	Plate-Deflector Mount	6	106-3253-01	1	Plate-Hinge, Front
3	106-3248-03	1	Strap-Discharge	7	119-4042	4	Nut-HF, NI
4	161-3464	1	Deflector-Deck, Rubber				

Idler Arm Assembly No. 139-1087



Idler Arm Assembly No. 139-1087 (continued)

<i>Ref.</i>	<i>Part Number</i>	<i>Qty.</i>	<i>Description</i>	<i>Ref.</i>	<i>Part Number</i>	<i>Qty.</i>	<i>Description</i>
1	139-1086	1	Idler Arm ASM	7	109-6658	3	Nut-Flange, NI
2	138-2573	2	Bushing-Flange	8	323-15	1	Screw-HH
3	139-8060	1	Bushing, Idler	9	3231-5	1	Screw-CARR
4	132-9424	1	Pulley-Idler, Flat	10	132-4729	1	Anchor-Spring, Short
5	139-6690	1	Bushing, Idler Pivot	11	136-9028	1	Bolt-Shoulder, HWH
6	1-213069	3	Washer	12	119-4042	1	Nut-HF, NI

Attachments and Accessories

For 77292 — 2000 Series 23.5 HP 60in Riding Mower

Product Name	Model/Part
Hypr-Oil 500 (quart)	114-4713
Hypr-Oil 500 (gallon).....	114-4714
Hypr-Oil 500-5 (5 gallon).....	114-4715
Striper Kit.....	126-7882
Jack Kit.....	127-6666
Blade-Rotary, 20.5in (Hi Flow).....	133-2127
Blade-Rotary, Atomic 20.5in	133-2157
Blade-Rotary, Recycling 20.5in.....	133-2161
Blade (6 Pack) 20.5in, Hi Flow.....	133-2174
Blade (6 Pack) 20.5in, Recycler.....	133-2177
Blade (6 Pack) 20.5in, Atomic.....	133-2180
Spark Arrestor, 1.25 I.D.	137-8098
Tweel-Turf Tire.....	139-3649
Recycler Kit	139-6655
Semi Pneumatic Wheel and Tire Assembly, 13x6.50-6	140-4896
Trimmer Mount	144-2665
Jack Mount Kit.....	144-2676
Hardtop Sun Canopy	144-3719
Wheel And Tire Asm	144-6607
Handle Extension Kit	145-3615
13x6.5n6 Caster Tweel Asm.....	147-6294
Bucket Mount Kit, Z Master 2000 or 4000 Series Riding Mower	147-6345
Universal Mount Kit, Z Master 2000 or 4000 Series Riding Mower	147-6346
Baffle Kit, Turbo Force 60in	147-7362
Arm Rest Kit.....	147-7397
Electric Deck Lift Kit.....	147-7867
2in Reciever Hitch Kit.....	161-2810
Fuel Pickup with Screen Kit	161-6806
60in Chute Gate Kit	163-4120
Bagger Kit, Z Master 2000 / 4000	78439
Z 4000 60in Completion Kit.....	78466

Notes:

Notes:

Notes:



Count on it.