



Count on it.

Parts Catalog

52in Z Master[®] Professional 2000 Series

Riding Mower

Model No. 77291TA—Serial No. 40000000 and Up



Ordering Replacement Parts

To order replacement parts, please supply the part number, the quantity, and the description of each part desired.

Understanding Reference Numbers

Each identified part in an illustration has a reference number. The reference number for a part also appears in the parts list, along with other information about the part.

This catalog uses two special reference number formats, one to indicate parts in a service assembly and another to indicate the quantity of a given part in an illustration.

Service Assembly Reference Numbers

Parts in service assemblies have reference numbers in the form a:b. The a represents the reference number of the entire service assembly and the b represents a sequential number unique to each part within the service assembly.

For example, a wheel assembly might be identified by reference number 6, the tire by 6:1, the valve by 6:2, and the wheel by 6:3. When you order the assembly identified by reference number 6, you receive all parts identified by reference numbers 6:1, 6:2, and 6:3. However, you may also order any part individually. Reference numbers of this type appear in illustration and in parts lists.

Reference Numbers Indicating Quantity

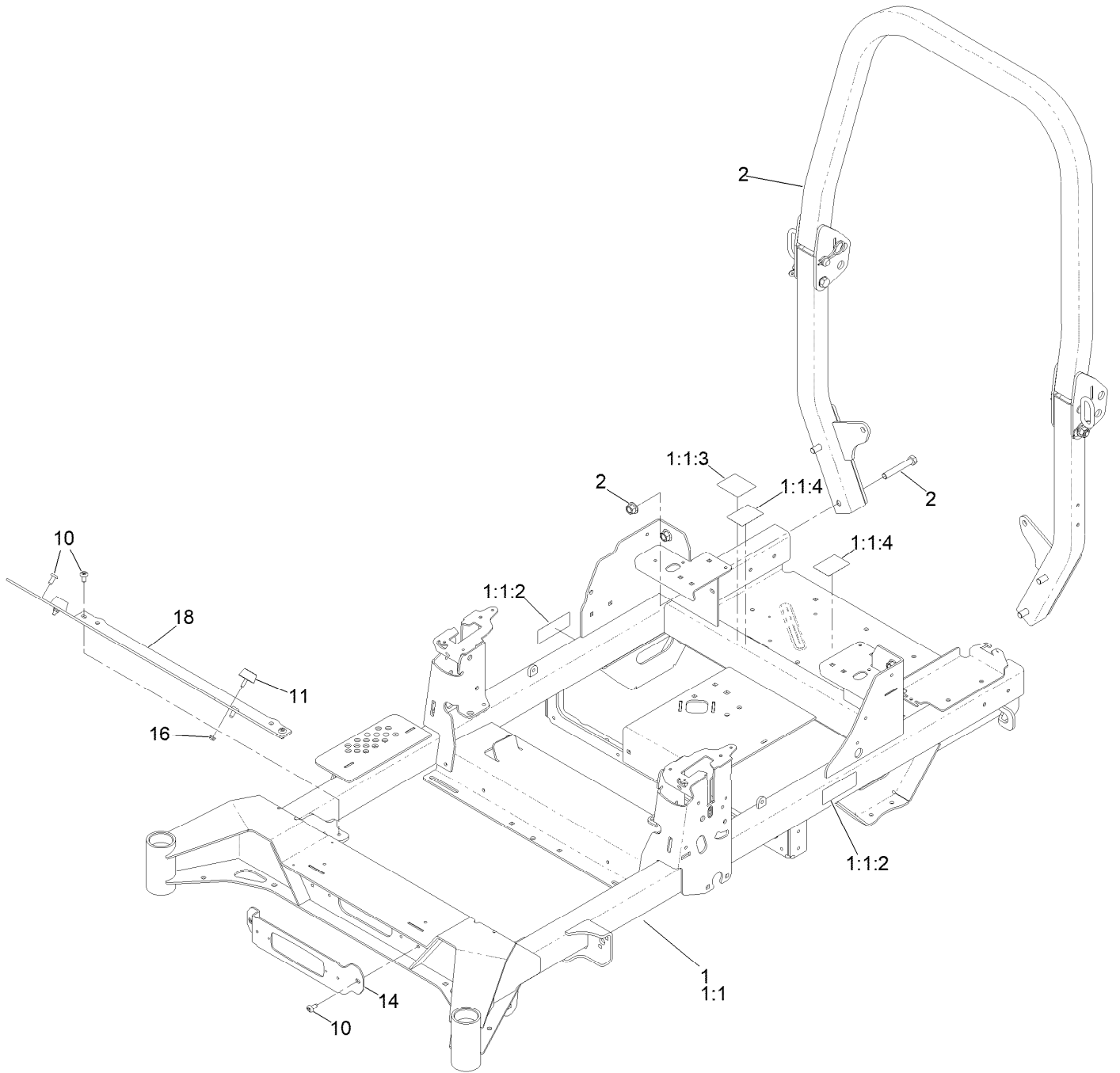
In an illustration, if a reference number indicates more than one part, the reference number has the form nX y. The n represents the quantity of the part, the X is the multiplication symbol, and the y represents the reference number.

For example, in an illustration, the reference number 2X 37 means that two of the parts identified by reference number 37 are indicated.

Contents

Frame Assembly	4
Roll-Over Protection System Assembly No. 139-8063	6
Hydro Drive Assembly	8
LH Transaxle Assembly No. 145-8424	10
RH Transaxle Assembly No. 145-8425	12
Throttle, Choke and Guards Assembly	14
Fuel Assembly	16
Fuel Tank Assembly No. 147-2403	18
Seat Mount Assembly	20
Motion Control Assembly	22
Left and Right Motion Control Assembly	24
Front Caster Wheel Assembly	26
Fork and Caster Assembly	28
Rear Drive Wheel Assembly	30
Electrical Assembly	32
Wire Harness Assembly No. 147-2363	34
Deck Lift Assembly	36
Deck Strut Assembly No. 140-1179	38
Engine, Clutch and Muffler Assembly	40
Seat Suspension Assembly	42
Seat Assembly No. 147-2383	44
Decal Assembly	46
Deck Assembly	48
Deck Decal Assembly No. 147-7372	50
Spindle Assembly No. 139-2357	52
Deflector Assembly No. 144-2635	54
Idler Arm Assembly No. 139-1087	56
Attachments and Accessories	58

Frame Assembly

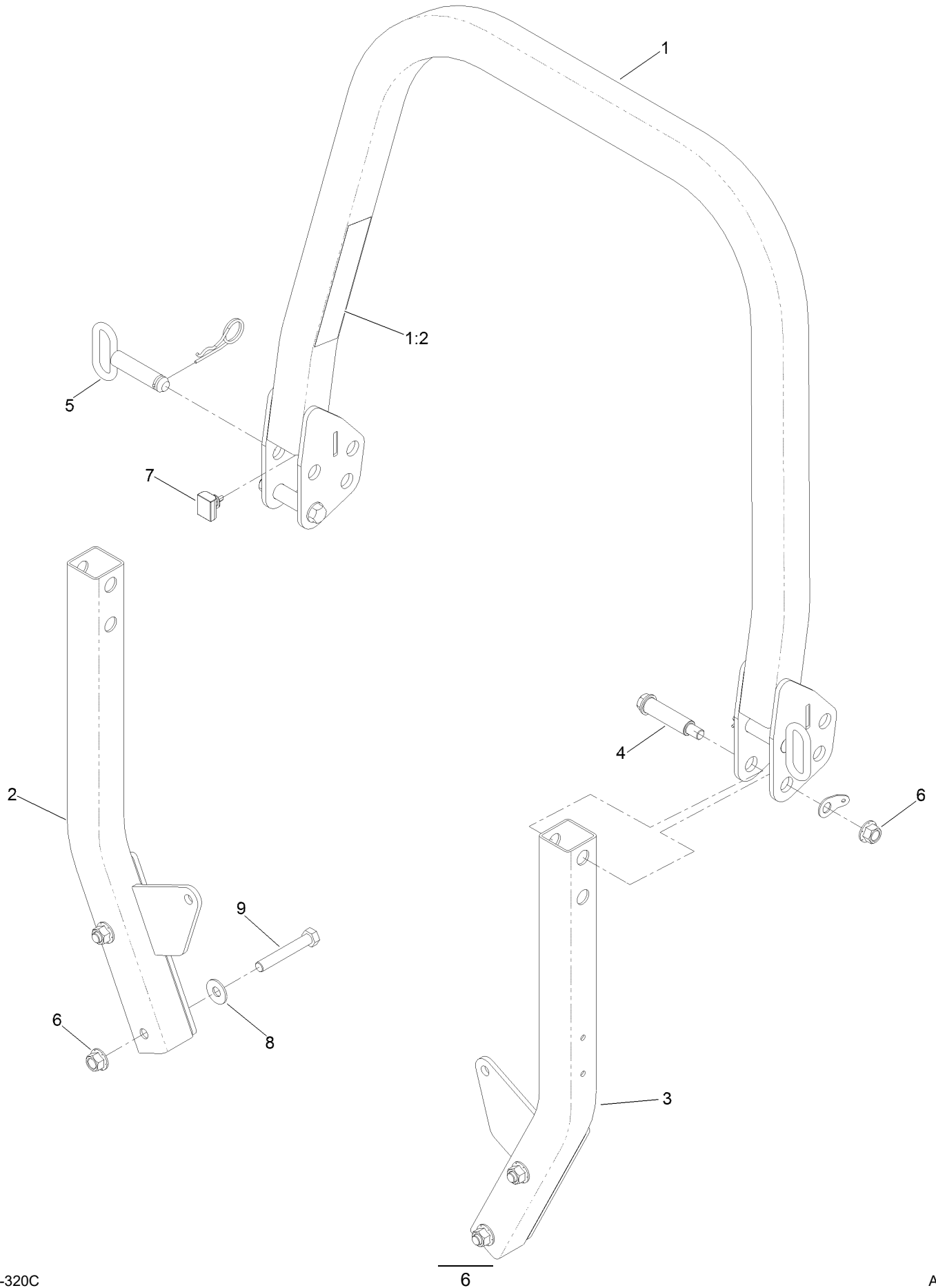


Frame Assembly (continued)

<i>Ref.</i>	<i>Part Number</i>	<i>Qty.</i>	<i>Description</i>	<i>Ref.</i>	<i>Part Number</i>	<i>Qty.</i>	<i>Description</i>
1	145-8476	1	Frame ASM	10	138-9753	6	Screw
1:1		1	Frame-48/52 ●	11	131-8834	2	Bumper
1:1:2	126-4363	2	Decal-Warning	14	140-4994-01	1	Bracket-Light
1:1:3	109-6014	1	Decal-Routing, Belt	16	104-7201	2	Nut-HF, NI
1:1:4	147-4982	2	Decal-Bypass	18	140-4997-01	1	Toeboard
2	139-8063	1	ASM-ROPS				

● Not serviced separately

Roll-Over Protection System Assembly No. 139-8063



Roll-Over Protection System Assembly No. 139-8063 (continued)

<i>Ref.</i>	<i>Part Number</i>	<i>Qty.</i>	<i>Description</i>	<i>Ref.</i>	<i>Part Number</i>	<i>Qty.</i>	<i>Description</i>
1		1	Upper ROPS ASM ●	4	126-9209	2	Bolt-Shoulder
1:2	107-3069	1	Decal-Warning	5	103-4553	2	ROPS Fold Pin ASM
2		1	ASM-ROPS, RH Suspension [black] ●	6	99-5107	6	Nut-HF Nylock
3		1	ASM-ROPS, LH Suspension [black] ●	7	109-5337	2	Bumper-ROPS
				8	109-9505	4	Washer-Spring
				9	325-13	4	Screw-HH

● Not serviced separately

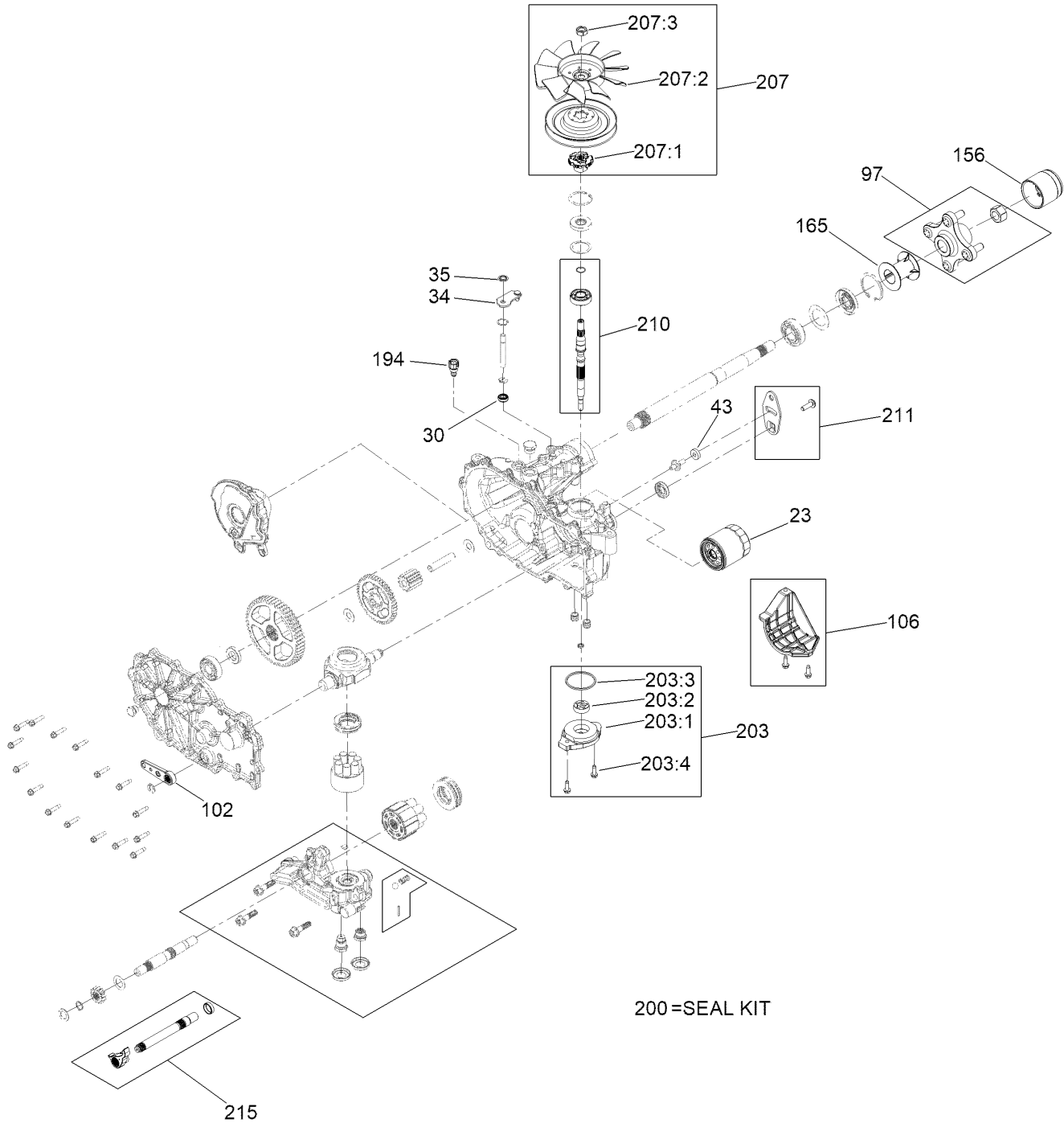
Hydro Drive Assembly



Hydro Drive Assembly (continued)

<i>Ref.</i>	<i>Part Number</i>	<i>Qty.</i>	<i>Description</i>	<i>Ref.</i>	<i>Part Number</i>	<i>Qty.</i>	<i>Description</i>
1	145-8424	1	Transaxle ASM	8	94-7972	2	Screw-HH, Patch
2	145-8425	1	Transaxle ASM	9	109-3652	2	Spacer
3	126-4687	4	Screw-HHF	10	126-5896	2	Screw HHF
4	1-303334	4	Washer-Spring	11	3230-7	2	Bolt-CARR
5	104-8300	8	Nut-HF, NI	12	125-8950	2	Rod-Bypass
6	145-5708	1	Shaft-Spacer	13	119-1415	2	Pin-Cotter, Locking
7	3256-4	2	Washer-Flat				

LH Transaxle Assembly No. 145-8424



LH Transaxle Assembly No. 145-8424 (continued)

<i>Ref.</i>	<i>Part Number</i>	<i>Qty.</i>	<i>Description</i>	<i>Ref.</i>	<i>Part Number</i>	<i>Qty.</i>	<i>Description</i>
23	109-3321	1	Element-Oil Filter, HYD	203	114-8465	1	Charge Kit
30	139-7497	1	Seal-Lip	203:1	114-8457	1	Cover-Charge Pump
34	107-2490	1	Arm-Bypass	203:2	104-2122	1	Gerotor ASM
35	106-8681	1	Ring-Retaining, External	203:3	109-3540	1	O Ring-Seal
43	112-9853	1	Puck-Friction	203:4	104-2120	1	Screw
97	116-3872	1	Hub-Offset	207	126-8904	1	Fan And Pulley Kit
102	125-0021	1	Handle-Brake	207:1	126-8905	1	Hub-Fan
106	120-7979	1	Guard-Filter, LH	207:2	126-0226	1	Fan
156	116-6214	1	Cap-Axle, Long	207:3	116-9714	1	Nut-HJ
165	116-6213	1	Tube-Axle	210	121-3248	1	Input Shaft Kit
194	147-7366	1	Assembly-Fitting, Breather	211	117-5362	1	Control Arm Kit
200	121-3243	1	Seal Kit	215	140-8353	1	Inboard Kit

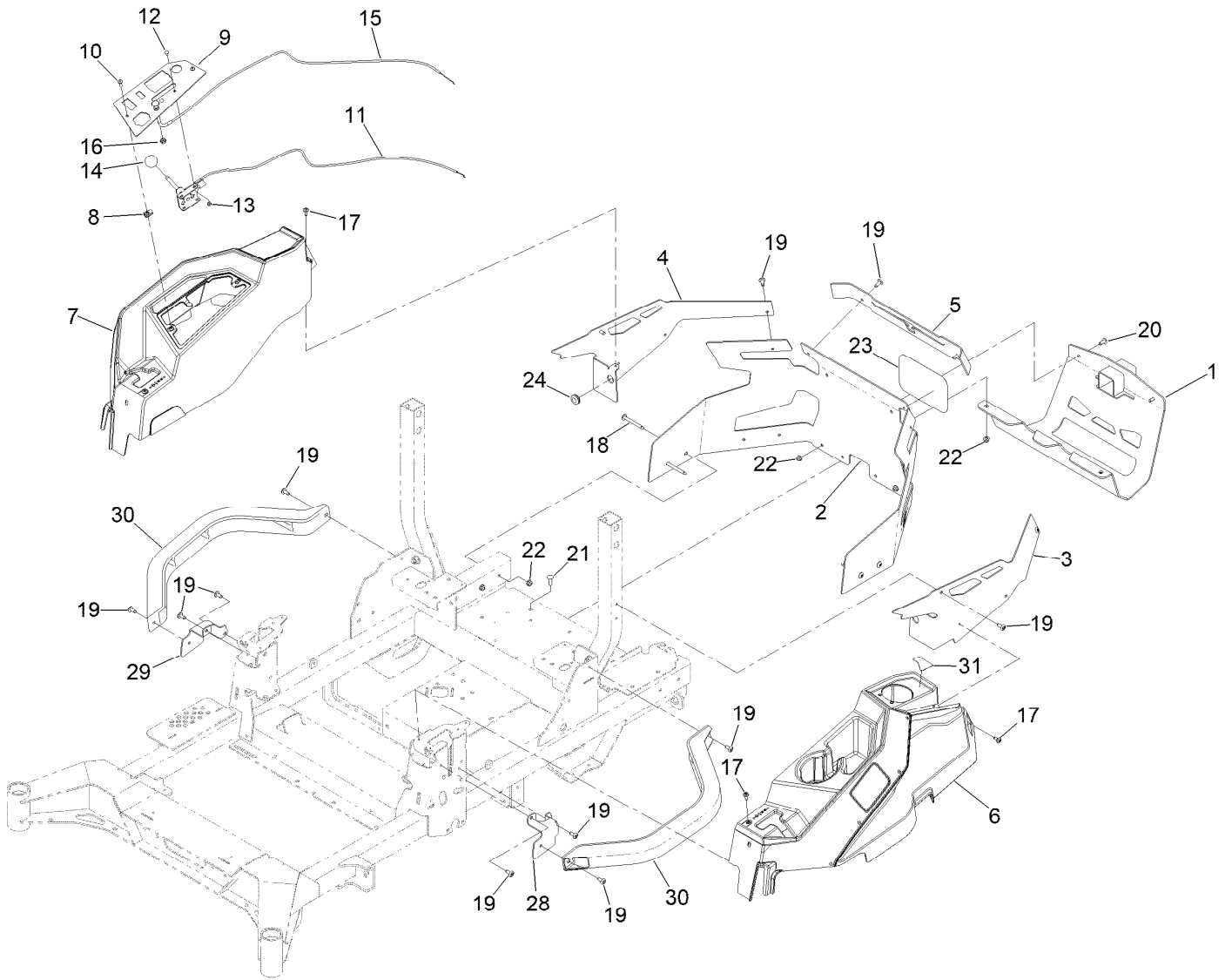
RH Transaxle Assembly No. 145-8425



RH Transaxle Assembly No. 145-8425 (continued)

<i>Ref.</i>	<i>Part Number</i>	<i>Qty.</i>	<i>Description</i>	<i>Ref.</i>	<i>Part Number</i>	<i>Qty.</i>	<i>Description</i>
23	109-3321	1	Element-Oil Filter, HYD	203	114-8465	1	Charge Kit
30	139-7497	1	Seal-Lip	203:1	114-8457	1	Cover-Charge Pump
34	107-2490	1	Arm-Bypass	203:2	104-2122	1	Gerotor ASM
35	106-8681	1	Ring-Retaining, External	203:3	109-3540	1	O Ring-Seal
43	112-9853	1	Puck-Friction	203:4	104-2120	1	Screw
97	116-3872	1	Hub-Offset	207	126-8904	1	Fan And Pulley Kit
102	125-0021	1	Handle-Brake	207:1	126-8905	1	Hub-Fan
106	120-7981	1	Guard-Filter, RH	207:2	126-0226	1	Fan
156	116-6214	1	Cap-Axle, Long	207:3	116-9714	1	Nut-HJ
165	116-6213	1	Tube-Axle	210	121-3248	1	Input Shaft Kit
194	147-7366	1	Assembly-Fitting, Breather	211	117-5362	1	Control Arm Kit
200	121-3243	1	Seal Kit	215	140-8353	1	Inboard Kit

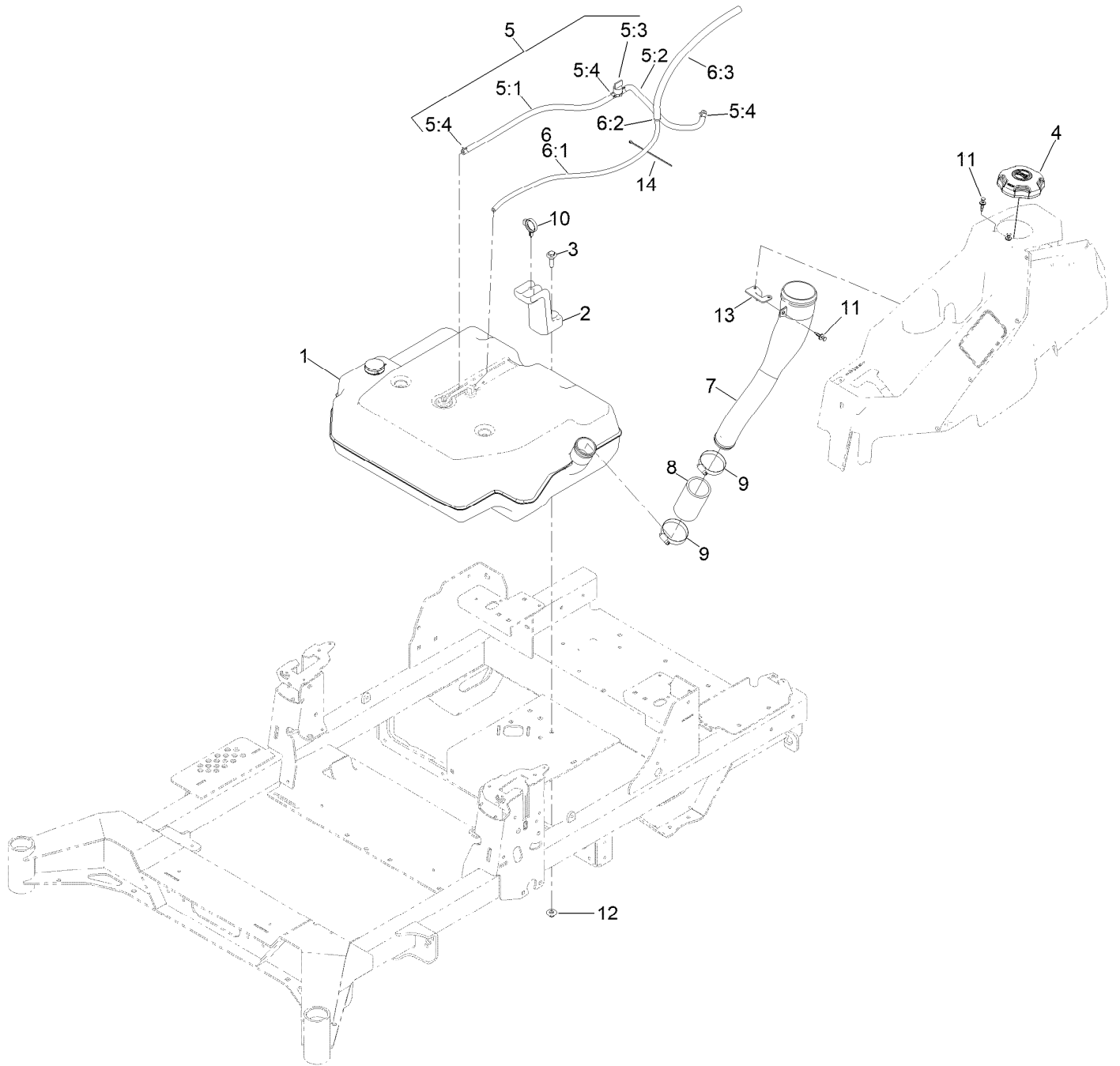
Throttle, Choke and Guards Assembly



Throttle, Choke and Guards Assembly (continued)

<i>Ref.</i>	<i>Part Number</i>	<i>Qty.</i>	<i>Description</i>	<i>Ref.</i>	<i>Part Number</i>	<i>Qty.</i>	<i>Description</i>
1	147-2408-03	1	Guard-Muffler	15	139-6735	1	Cable-Control, Choke
2	145-7022	1	Rear Guard ASM	16	3220-3	1	Nut-HJ
3	145-8443-01	1	Guard-Rear, LH	17	120-7950	6	Screw-Torx
4	145-8444-01	1	Guard-Rear, RH	18	126-6267	4	Screw-TTH
5	145-7007-01	1	Guard-Rear, Top	19	138-9753	14	Screw
6	147-2352	1	LH Pod ASM	20	126-6268	2	Screw-TTH
7	147-2353	1	RH Pod ASM	21	3230-22	2	Screw-CARR
8	107069	2	Clip	22	104-8300	8	Nut-HF, NI
9	145-8498-03	1	Panel-Control	23	67-7320	1	Decal
10	138-0689	2	Screw-PH	24	112-7069	1	Grommet
11	139-6734	1	Cable-Control, Throttle	28	145-8481-01	1	Bracket-Mount, LH
12	1-807513	2	Bolt-CARR	29	145-8484-01	1	Bracket-Mount, RH
13	3296-2	2	Nut-Lock, NI	30	147-2385-01	2	Tube-Pod
14	1-603175	1	Knob-Ball	31	147-2399	1	Decal-Fuel Fill

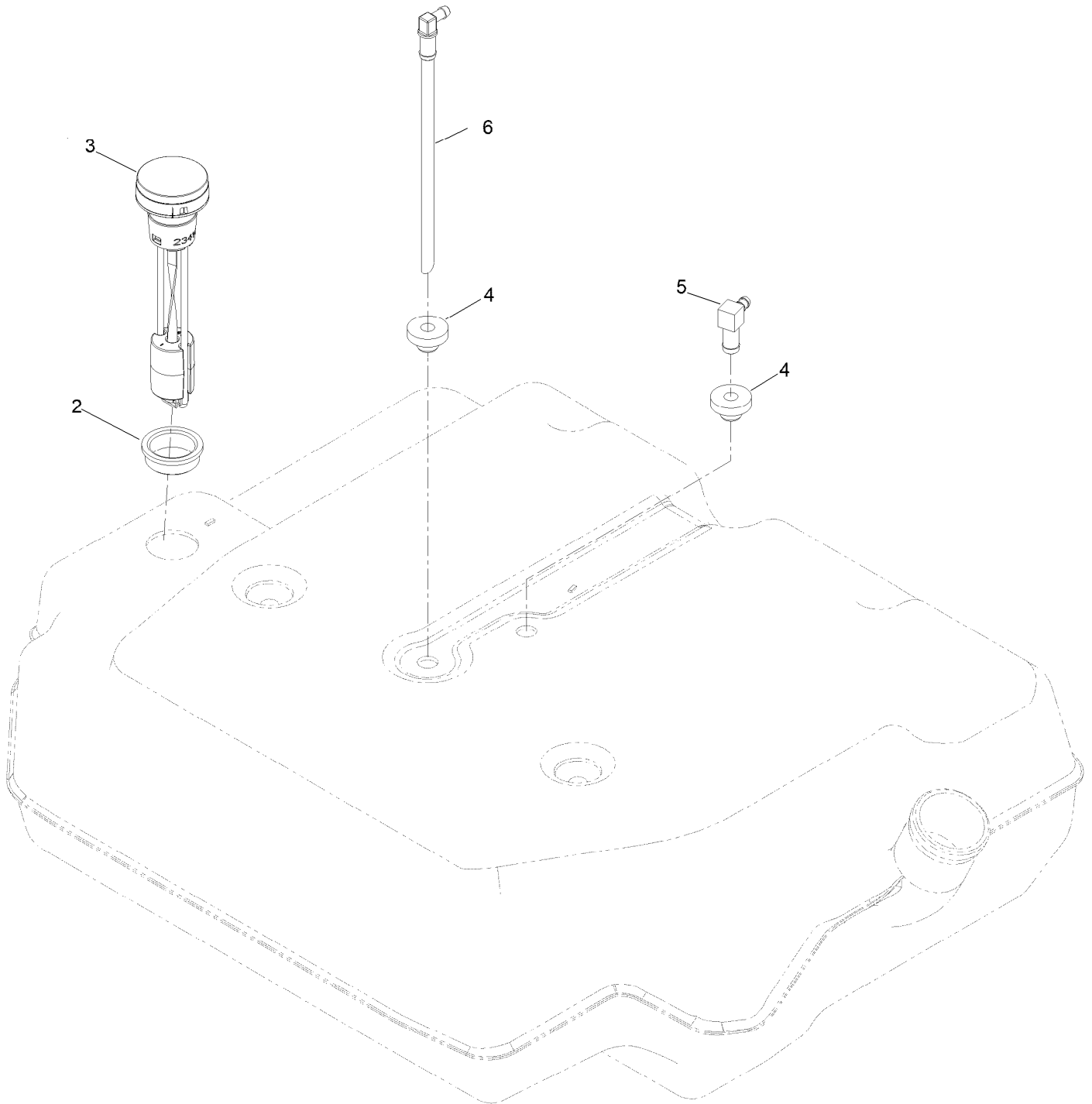
Fuel Assembly



Fuel Assembly (continued)

<i>Ref.</i>	<i>Part Number</i>	<i>Qty.</i>	<i>Description</i>	<i>Ref.</i>	<i>Part Number</i>	<i>Qty.</i>	<i>Description</i>
1	147-2403	1	Tank ASM-Fuel	6:2	116-4630	1	Fitting-Orifice, Straight
2	145-5778	1	Retainer-Tank, Rear	6:3	116-4344	1	Hose-Fuel
3	614672	1	Screw-Shoulder, HWH	7	147-7350	1	Neck-Filler, Fuel
4	137-4119	1	Cap-Fuel, Ratcheting	8	145-4698	1	Hose-Filler, Fuel
5	147-4649	1	Fuel Hose ASM	9	2412-130	2	Clamp-Hose
5:1	109-0301	1	Hose-Fuel	10	104-2490	1	Clamp-Hose
5:2	114-3766	1	Hose-Fuel	11	125-9622	3	Rivet-Blind
5:3	1-603770	1	Valve-Fuel	12	109-6658	1	Nut-Flange, NI
5:4	2412-98	4	Clamp-Hose	13	147-4588	1	Bracket-Mounting, Neck
6	140-4957	1	ASM-Fuel Vent	14	1-303287	1	Tie-Cable
6:1	138-3152	1	Hose-Fuel				

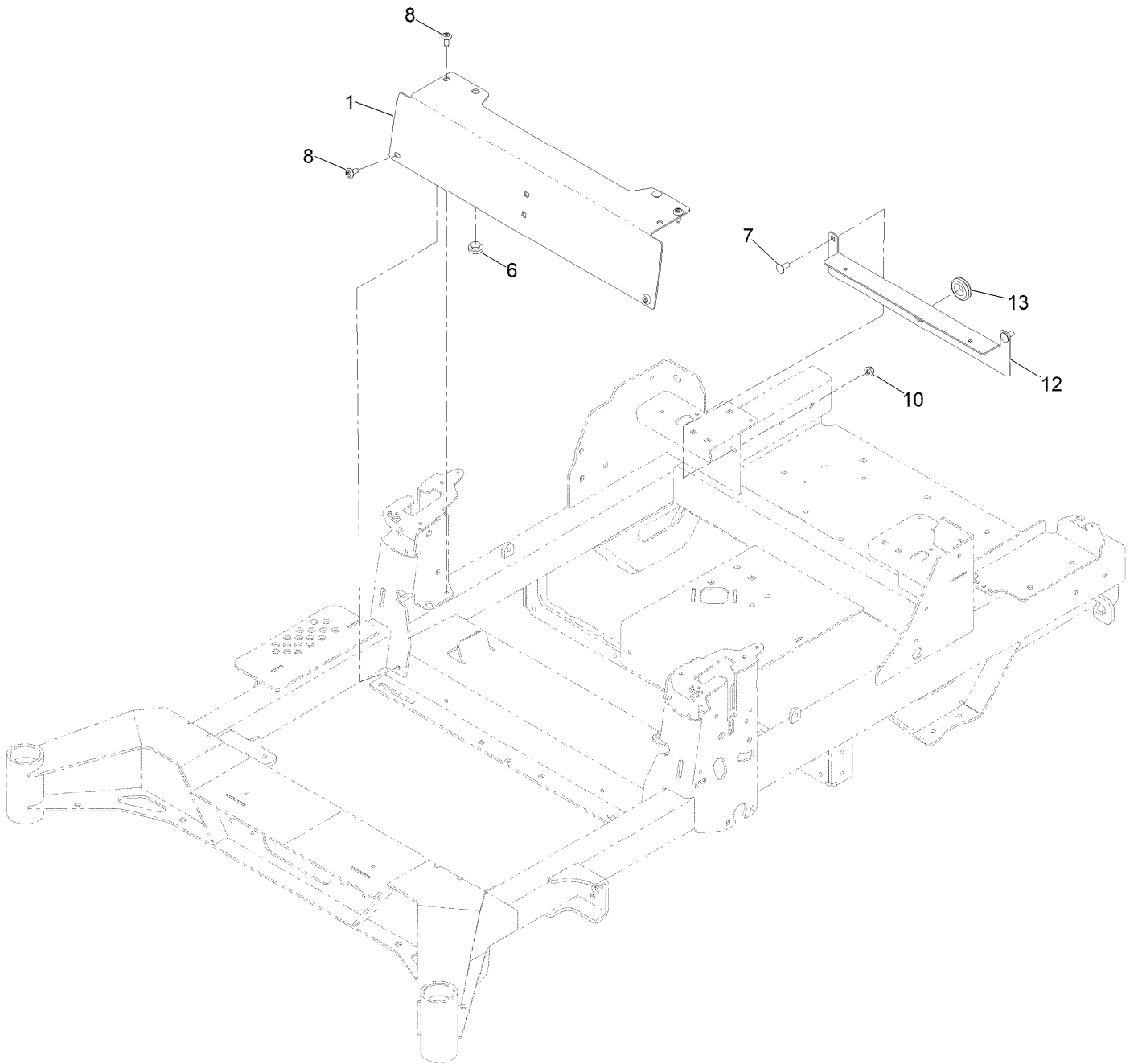
Fuel Tank Assembly No. 147-2403



Fuel Tank Assembly No. 147-2403 (continued)

<i>Ref.</i>	<i>Part Number</i>	<i>Qty.</i>	<i>Description</i>	<i>Ref.</i>	<i>Part Number</i>	<i>Qty.</i>	<i>Description</i>
2	133-9269	1	Grommet-Fuel	5	126-9057	1	Fitting-90 DEG
3	139-8058	1	Gauge-Fuel	6	140-4955	1	Connector Elbow-90 DEG
4	46-6560	2	Bushing				

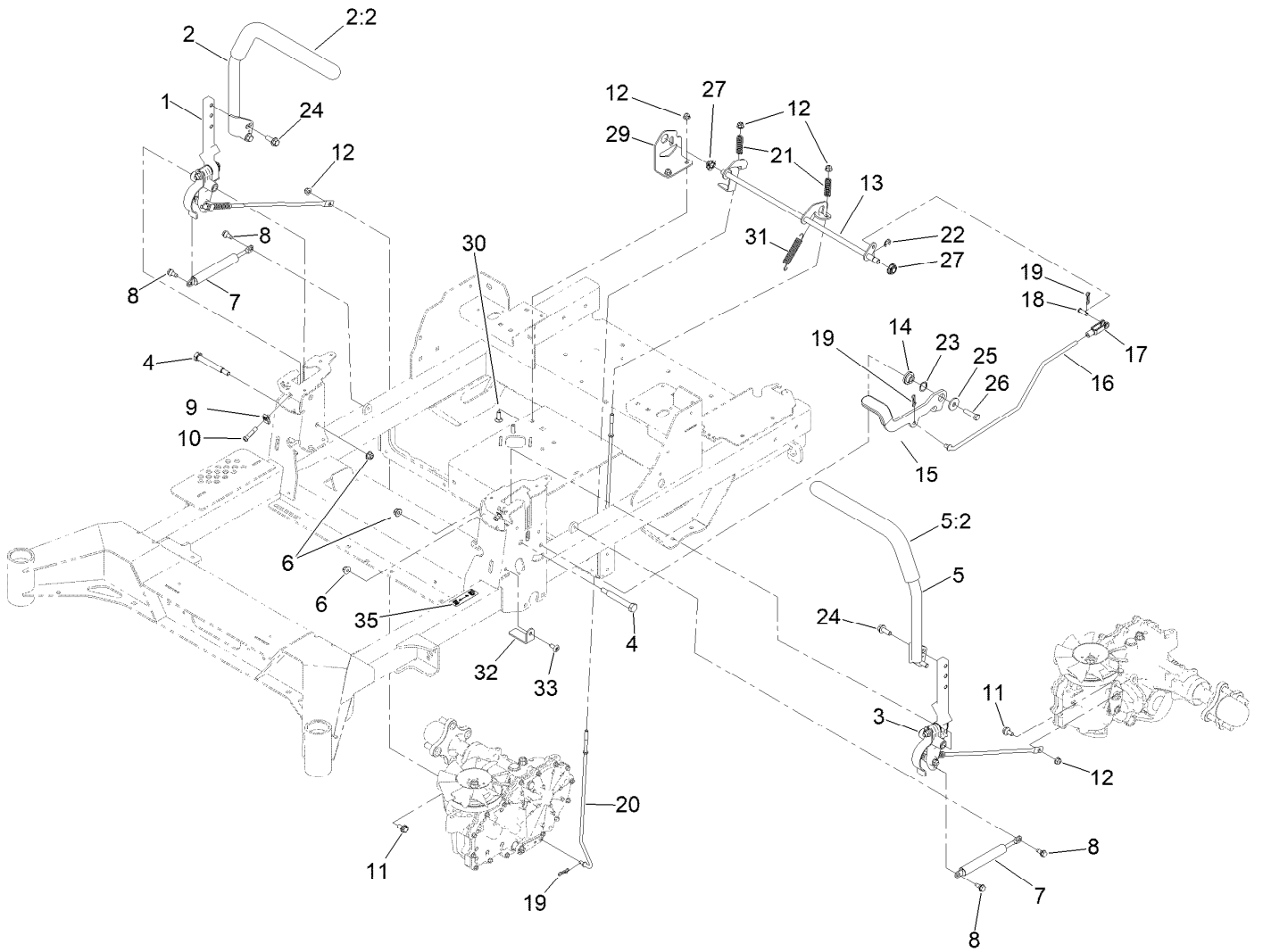
Seat Mount Assembly



Seat Mount Assembly (continued)

<i>Ref.</i>	<i>Part Number</i>	<i>Qty.</i>	<i>Description</i>	<i>Ref.</i>	<i>Part Number</i>	<i>Qty.</i>	<i>Description</i>
1	147-2398-03	1	Plate-Badge, Front [black]	10	104-8300	2	Nut-HF, NI
6	135-0505	2	Bumper-Seat	12	147-2362-03	1	Bracket-Firewall
7	3230-23	2	Bolt-CARR	13	1-543286	1	Grommet
8	138-9753	4	Screw				

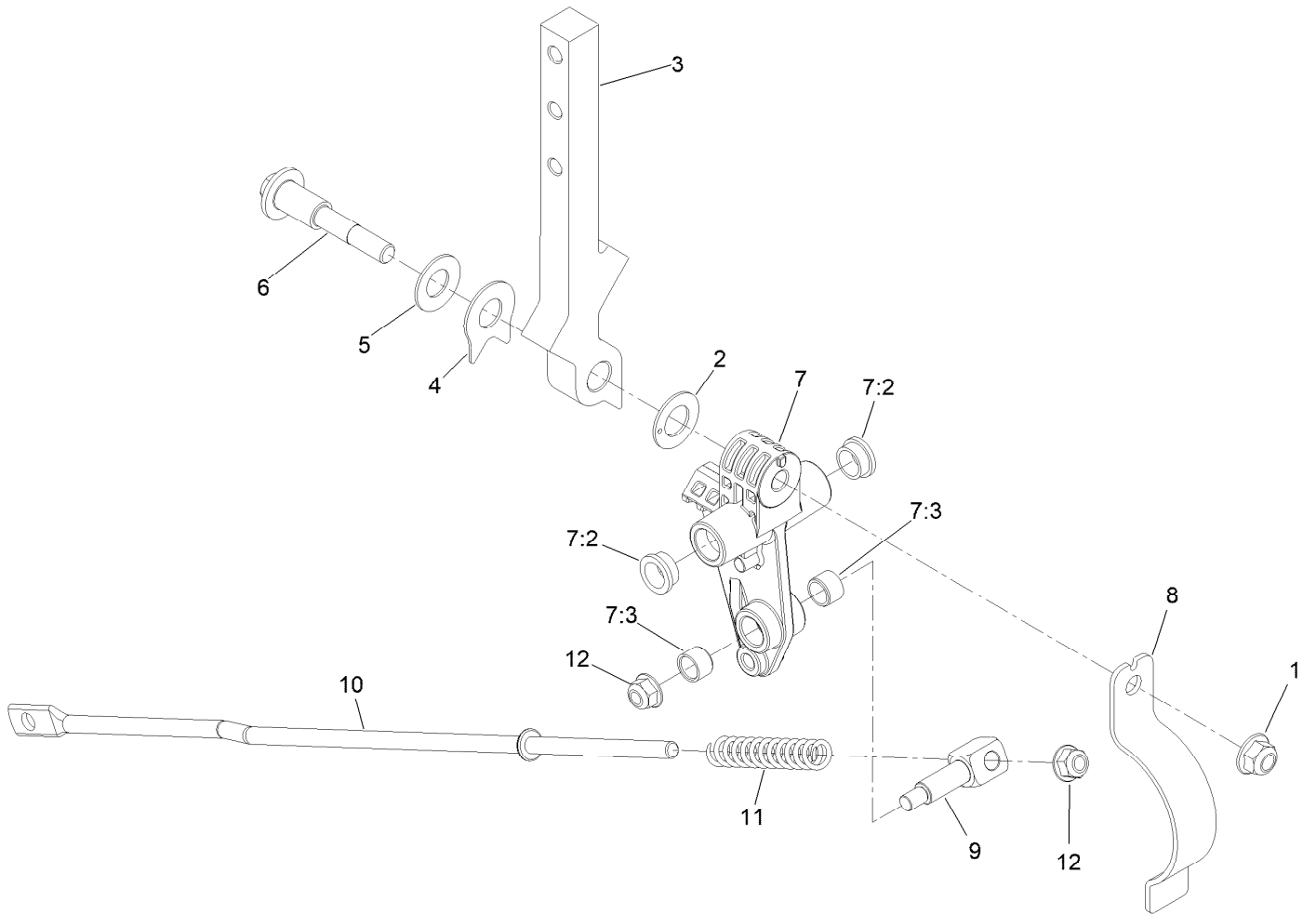
Motion Control Assembly



Motion Control Assembly (continued)

<i>Ref.</i>	<i>Part Number</i>	<i>Qty.</i>	<i>Description</i>	<i>Ref.</i>	<i>Part Number</i>	<i>Qty.</i>	<i>Description</i>
1	145-5725	1	Motion Control ASM-RH	17	1-303105	1	Yoke-Adjustable
2	147-2390	1	RH Handle ASM	18	1-808280	1	Pin-Clevis
2:2	109-5668	1	Grip-Lever, Control	19	119-1415	4	Pin-Cotter, Locking
3	145-5724	1	Motion Control ASM-LH	20	126-7217	2	Linkage-Brake, Lower
4	115-5099	2	Bolt-Pivot	21	109-7694	2	Spring-Compression
5	147-2391	1	LH Handle ASM	22	32120-47	1	Ring-Retaining, External
5:2	109-5668	1	Grip-Lever, Control	23	119-4164	1	Washer-Wave
6	104-8301	3	Nut-HF, NI	24	3234-42	4	Screw-HHF
7	142-6851	2	Damper	25	2844	1	Washer
8	126-4424	4	Screw-Shoulder	26	323-8	1	Screw-HH
9	112-3306	2	Nut	27	126-5820	2	Bearing-Spherical
10	126-4299	2	Screw-HSBH	29	145-5726	1	Bracket-Brake
11	37-8771	2	Bolt-Shoulder, HF	30	3230-22	2	Screw-CARR
12	104-8300	6	Nut-HF, NI	31	109-7124	1	Spring-Extension
13	145-5719	1	Shaft-Brake	32	145-3685	2	Plate-Stop, Rtn
14	126-5989	1	Pivot-Flange	33	138-9753	2	Screw
15	126-9490	1	Lever-Brake (With Grip)	35	115-9625	1	Decal-Brake, Parking
16	145-5722	1	Linkage-Brake, Upper				

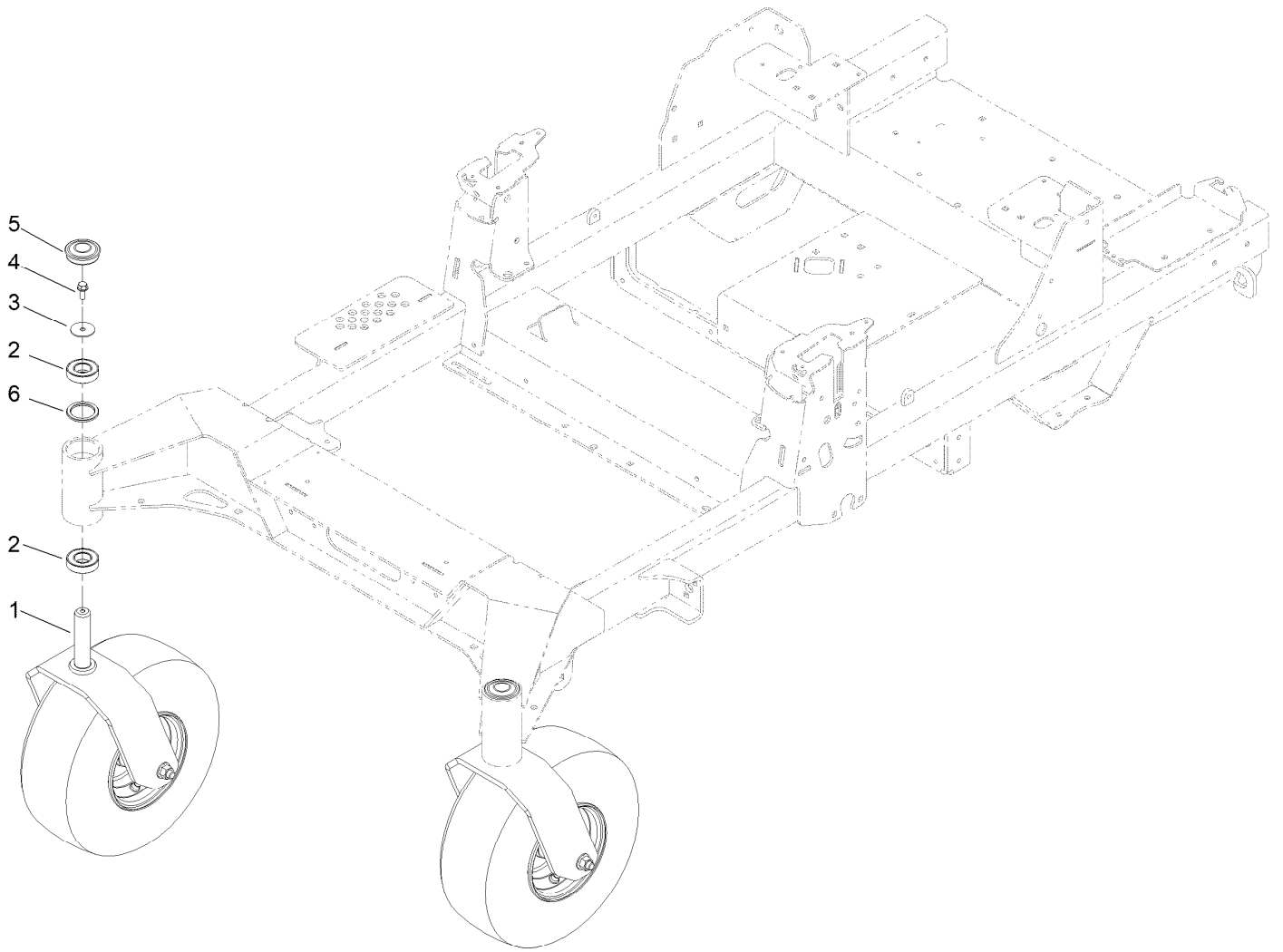
Left and Right Motion Control Assembly



Left and Right Motion Control Assembly (continued)

<i>Ref.</i>	<i>Part Number</i>	<i>Qty.</i>	<i>Description</i>	<i>Ref.</i>	<i>Part Number</i>	<i>Qty.</i>	<i>Description</i>
1	104-8301	1	Nut-HF, NI	7:2	126-8909	2	Bushing
2	126-7296	1	Washer-Friction	7:3	1-413152	2	Bushing-Sleeve
3	147-2389	1	Arm-Control	8	145-5799	1	Spring-Rtn
4	142-8478	1	Spacer, Anti-Rotation	9	126-5434	1	Swivel
5	119-8925	1	Washer-Belleville	10	145-5723	1	Link-Control
6	117-1198	1	Bolt-Pivot	11	126-8195	1	Spring-Return, Neutral
7	145-5798	1	ASM-Control Arm	12	104-8300	2	Nut-HF, NI

Front Caster Wheel Assembly

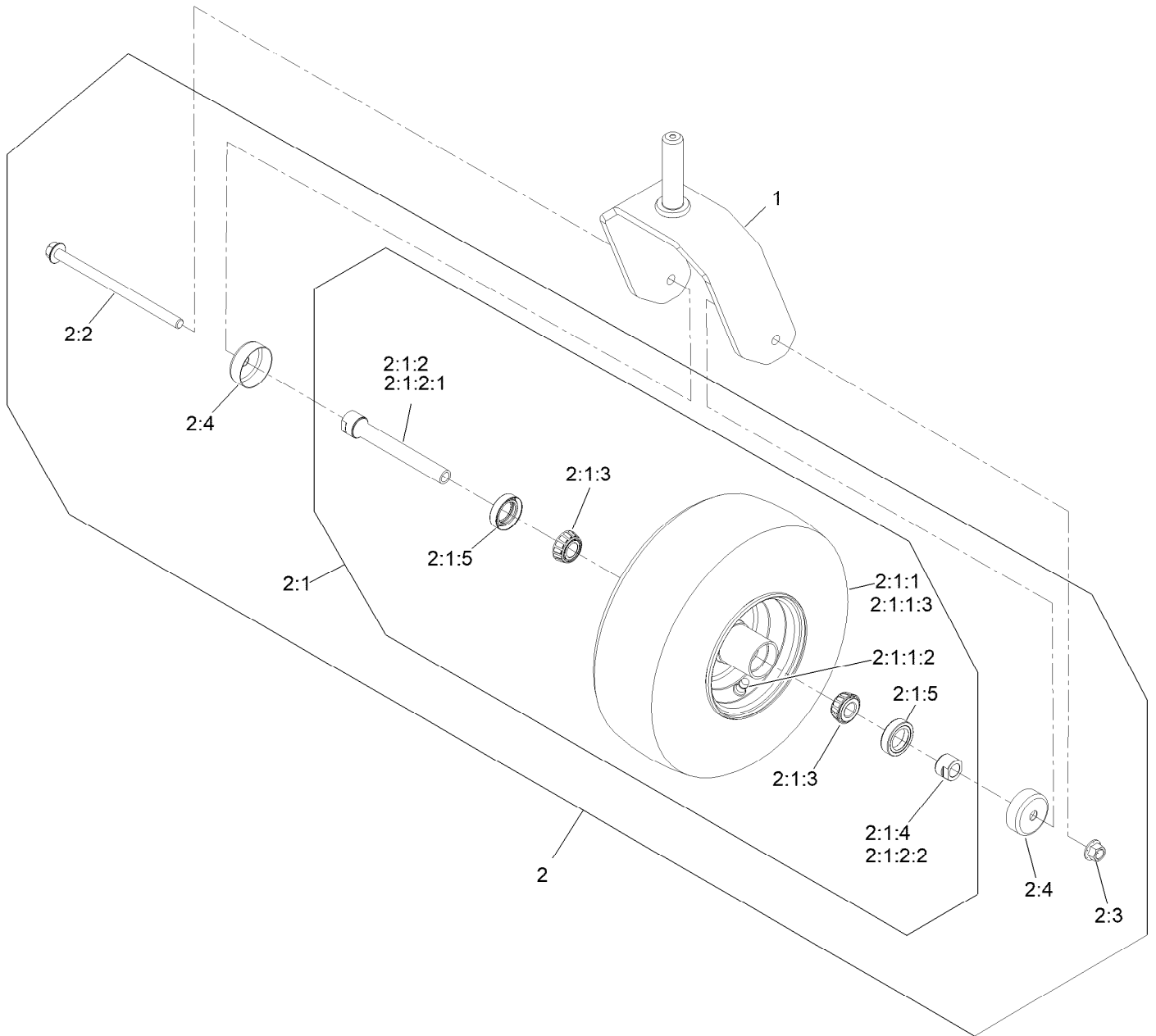


Front Caster Wheel Assembly (continued)

<i>Ref.</i>	<i>Part Number</i>	<i>Qty.</i>	<i>Description</i>	<i>Ref.</i>	<i>Part Number</i>	<i>Qty.</i>	<i>Description</i>
1		2	ASM, Front Caster W/ Fork ●	4	100-1668	2	Screw-HHF
2	109-3678	4	Bearing-Ball	5	144-0375	2	Cap-Grease
3	3256-68	2	Washer-Flat	6	145-3660	2	Spacer-Bearing

● Not serviced separately

Fork and Caster Assembly

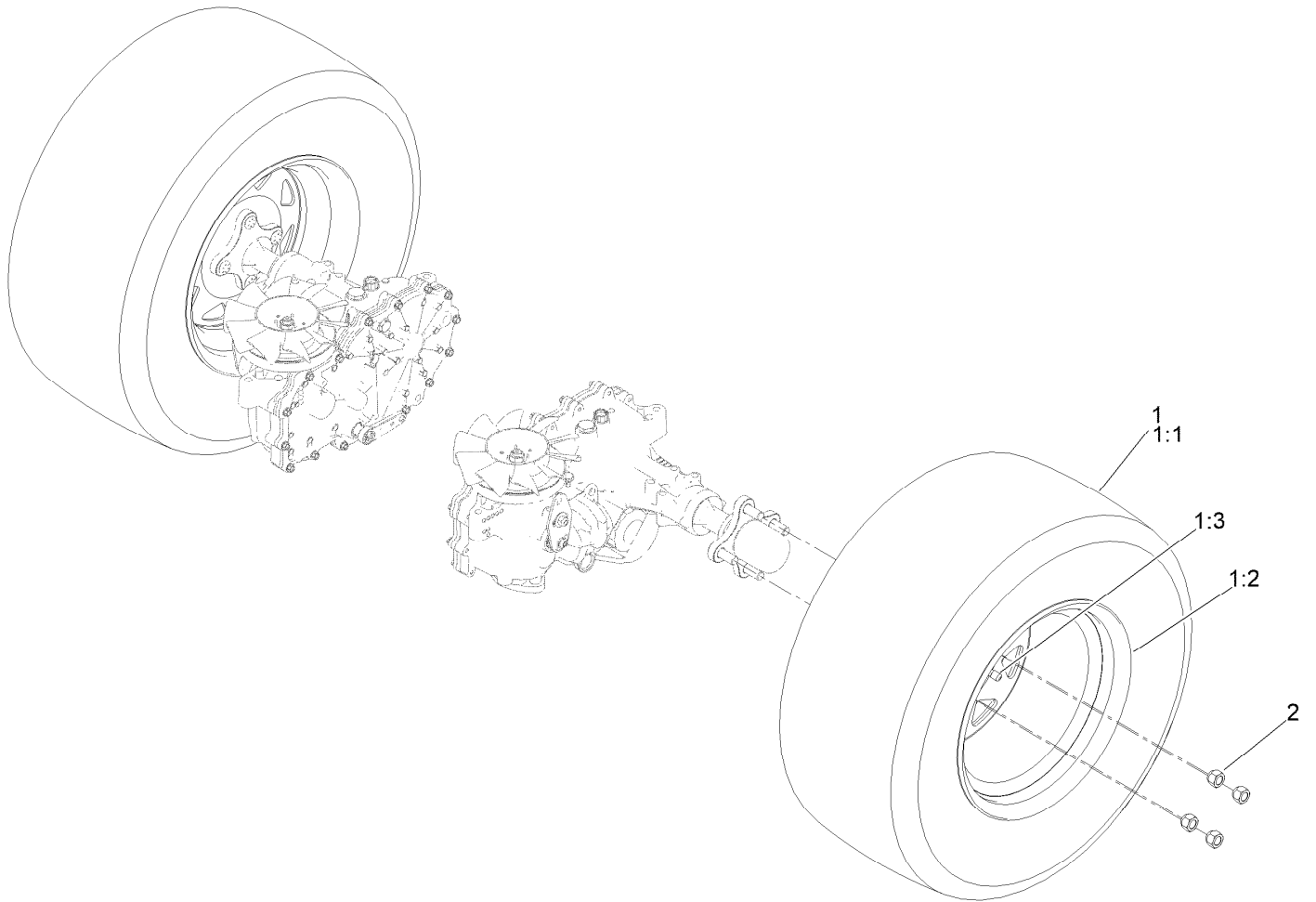


Fork and Caster Assembly (continued)

<i>Ref.</i>	<i>Part Number</i>	<i>Qty.</i>	<i>Description</i>	<i>Ref.</i>	<i>Part Number</i>	<i>Qty.</i>	<i>Description</i>
1	142-7827-01	1	Fork-Caster	2:1:2:1	126-5220	1	Axle-Caster
2	139-3639	1	ASM-Pneumatic 13X6.50-6	2:1:2:2	103-3051	1	Spacer-Nut
2:1		1	Wheel And Bearings ASM ●	2:1:3	1-633585	2	Bearing-Cone, Taper
2:1:1		1	Wheel And Tire ASM 13X6.5-6 ●	2:1:4	103-3051	1	Spacer-Nut
2:1:1:2	5108	1	Valve	2:1:5	103-0063	2	Seal-Caster
2:1:1:3	126-5959	1	Tire	2:2	126-5389	1	Screw-HHF
2:1:2	126-7796	1	Caster Axle ASM	2:3	99-5107	1	Nut-HF Nylock
				2:4	103-2768	2	Guard-Seal

● Not serviced separately

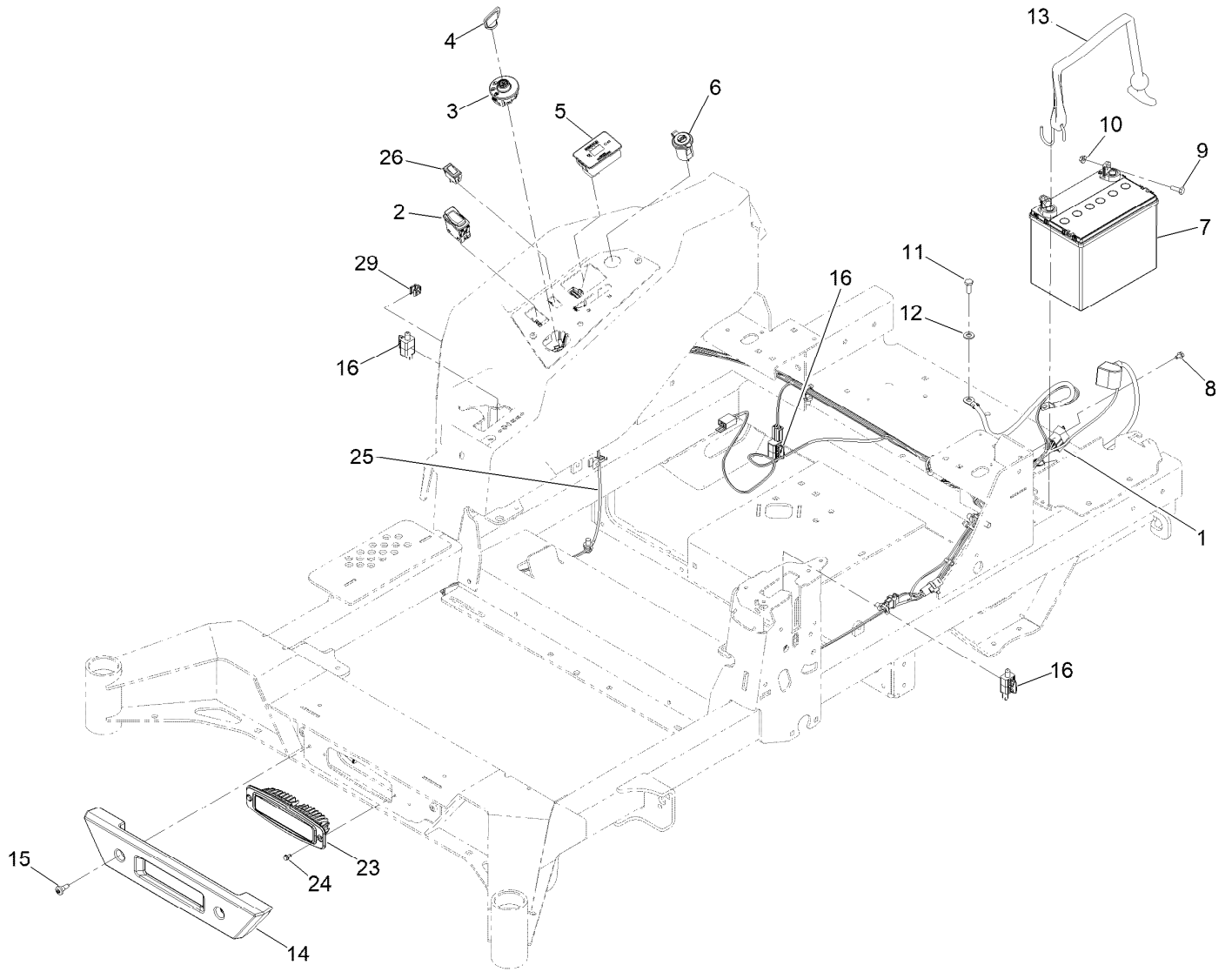
Rear Drive Wheel Assembly



Rear Drive Wheel Assembly (continued)

<i>Ref.</i>	<i>Part Number</i>	<i>Qty.</i>	<i>Description</i>	<i>Ref.</i>	<i>Part Number</i>	<i>Qty.</i>	<i>Description</i>
1	144-6987	2	ASM-Voodoo Trac 24X10.5-12	1:2	140-7969	1	Wheel
1:1	144-6964	1	Tire-Voodoo	1:3	232-27	1	Stem-Valve
				2	242-50	8	Nut-Lug

Electrical Assembly



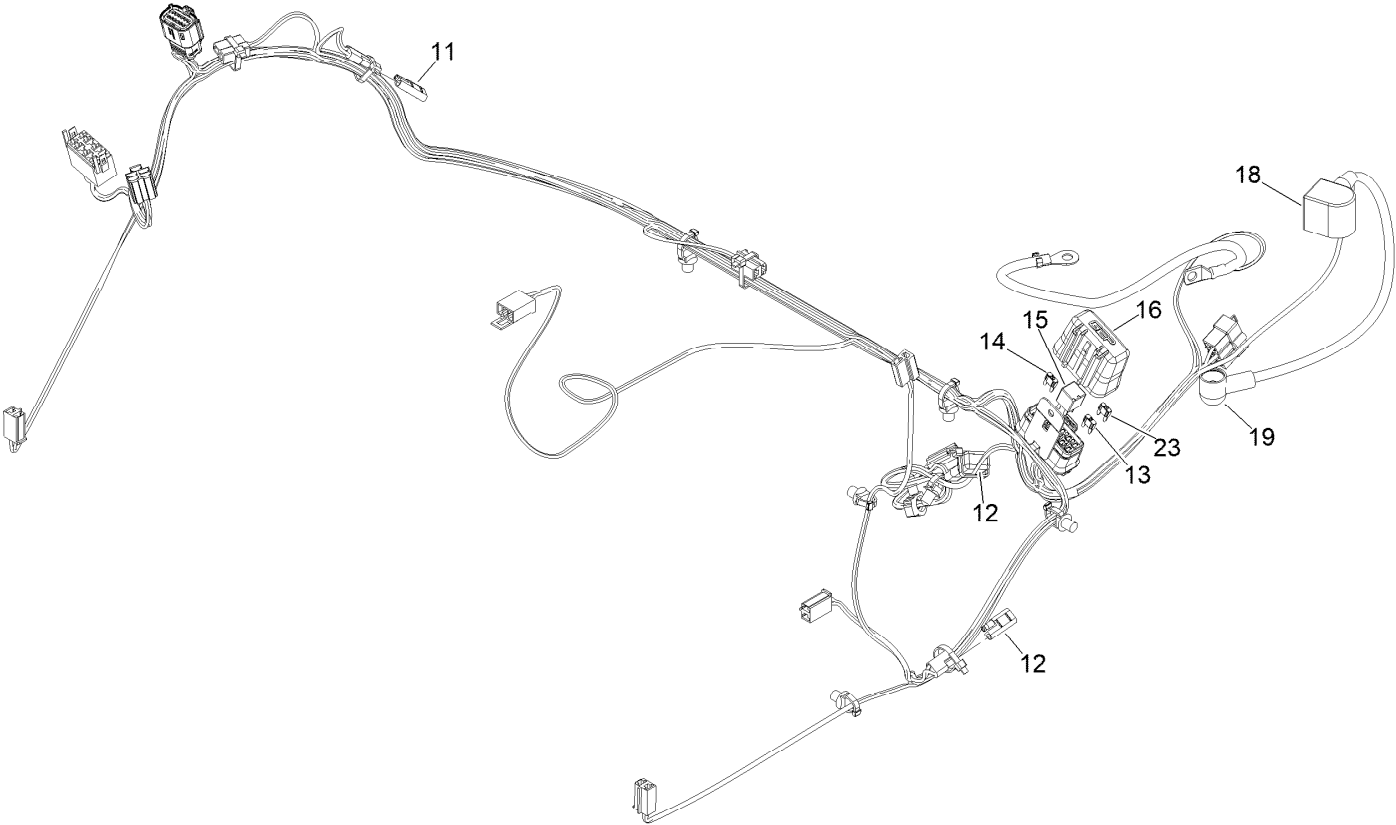
Electrical Assembly (continued)

<i>Ref.</i>	<i>Part Number</i>	<i>Qty.</i>	<i>Description</i>	<i>Ref.</i>	<i>Part Number</i>	<i>Qty.</i>	<i>Description</i>
1	147-2363	1	Harness-Wire, Zmaster	13	142-8697	1	Strap, Bungee
2	139-6368	1	Switch-Rocker, On-None-On	14	140-4993	1	Bumper-Front
3	137-4100	1	Switch-Ignition	15	135-2015	2	Screw-Shoulder
4	63-8360	1	Key-Ignition	16	110-6765	3	Switch
5	116-5609	1	Module ASM	23	139-8089	1	Light - Flush Mount
6	140-7955	1	Port-Power, USB	24	104-2065	2	Screw-HWH
7	104-8162	1	Battery	25	140-1213	1	Harness-Wire, Light Kit
8	99-8445	1	Screw-HWH	26	92-8875	1	Switch-Rocker
9	321-4	2	Screw-HH	29	32180-082	1	Clip-Edge W/Tie, Perpendicular
10	32128-33	2	Nut-HF	99	1-603511	1	Keys-Ignition (Spare Pair) ■
11	33114-020	1	Screw-HH				●
12	33094-00	1	Washer-Plain				

● Not illustrated

■ Optional Equipment

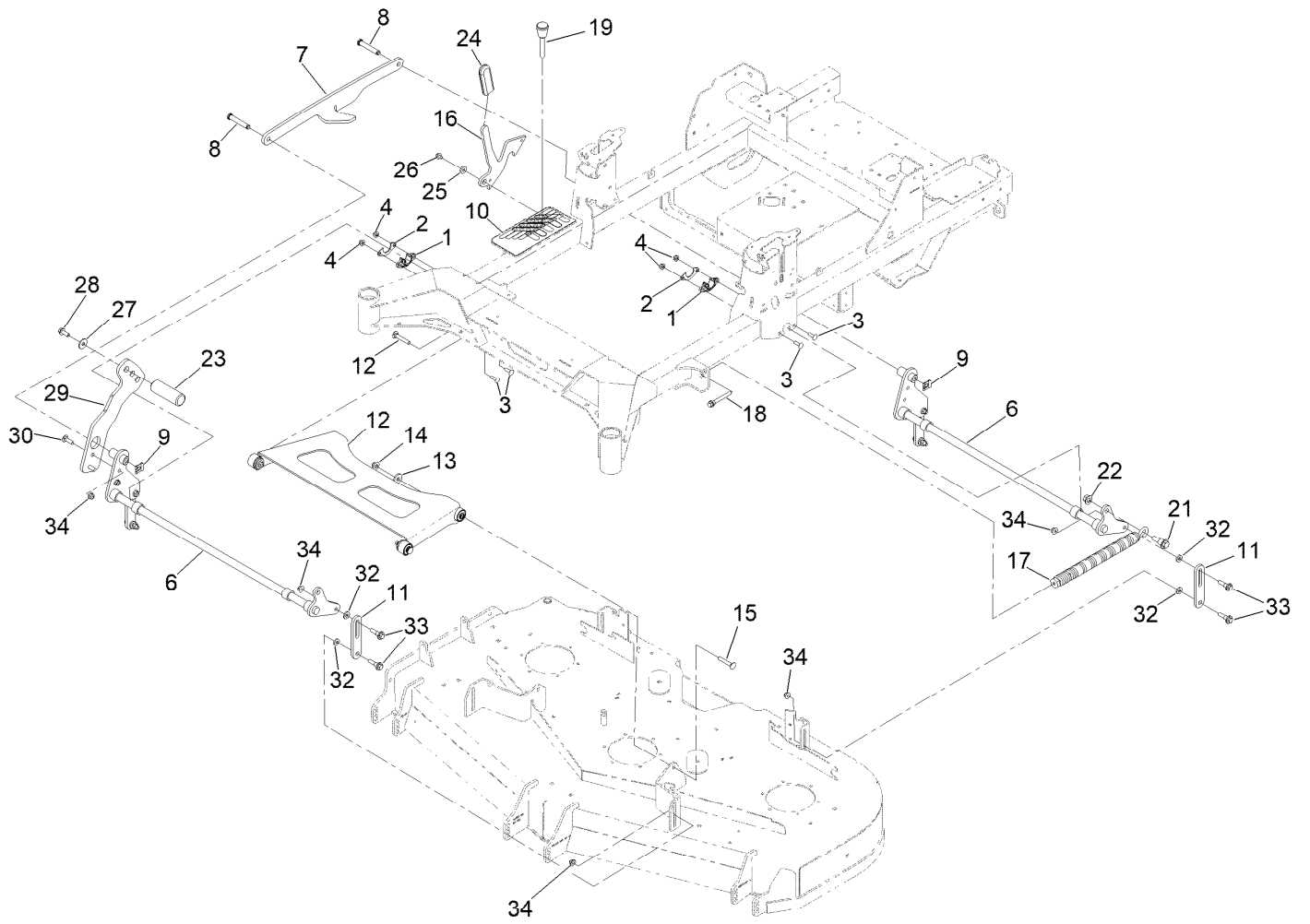
Wire Harness Assembly No. 147-2363



Wire Harness Assembly No. 147-2363 (continued)

<i>Ref.</i>	<i>Part Number</i>	<i>Qty.</i>	<i>Description</i>	<i>Ref.</i>	<i>Part Number</i>	<i>Qty.</i>	<i>Description</i>
11	116-0053	3	Cap-Plug	16	32180-176	1	Cover-Block, Fuse
12	103-3895	1	Diode	18	126-8876	1	Insulator-Battery
13	121-8867	1	Fuse-Mini Blade, 15 Amp	19	1-543393	1	Insulator-Solenoid
14	121-8868	1	Fuse-Mini Blade, 20 Amp	23	121-8869	1	Fuse-Mini Blade, 25 Amp
15	126-3991	1	Relay-Micro				

Deck Lift Assembly



Deck Lift Assembly (continued)

<i>Ref.</i>	<i>Part Number</i>	<i>Qty.</i>	<i>Description</i>	<i>Ref.</i>	<i>Part Number</i>	<i>Qty.</i>	<i>Description</i>
1	139-5872	4	Bearing-Flange	17	116-0886	1	Spring-Extension
2	116-2887	4	Gusset-Lift, Deck	18	92-7674	1	Bolt-Shoulder
3	3230-22	8	Screw-CARR	19	126-5401	1	Pin-HOC
4	104-8300	8	Nut-HF, NI	21	116-0780	1	Screw-Shoulder, HHF
6	140-4975-03	2	Shaft-Lift, Deck	22	99-5107	1	Nut-HF Nylock
7	126-4639-03	1	Link-HOC	23	140-4959	1	Pedal-Foot Lift
8	126-9181	2	Pin-Clevis	24	132-4749	1	Grip-Lever
9	138-8491	2	Clip-Pin	25	104-7658	1	Spacer
10	147-2360	1	Decal-HOC	26	9266934	1	Screw
11	145-5702-03	4	Link-Lift, Deck	27	2844	1	Washer
12	140-1179	1	Deck Strut W/ Bushings ASM	28	3234-42	1	Screw-HHF
13	1-373034	2	Washer	29	144-2699-03	1	Arm-Deck Lift
14	109-6658	2	Nut-Flange, NI	30	3231-25	2	Bolt-CARR
15	3231-7	2	Screw-CARR	32	43-0940	8	Spacer
16	145-8475-03	1	Plate-Transport Lock	33	130-0742	8	Bolt-Shoulder
				34	104-8301	10	Nut-HF, NI

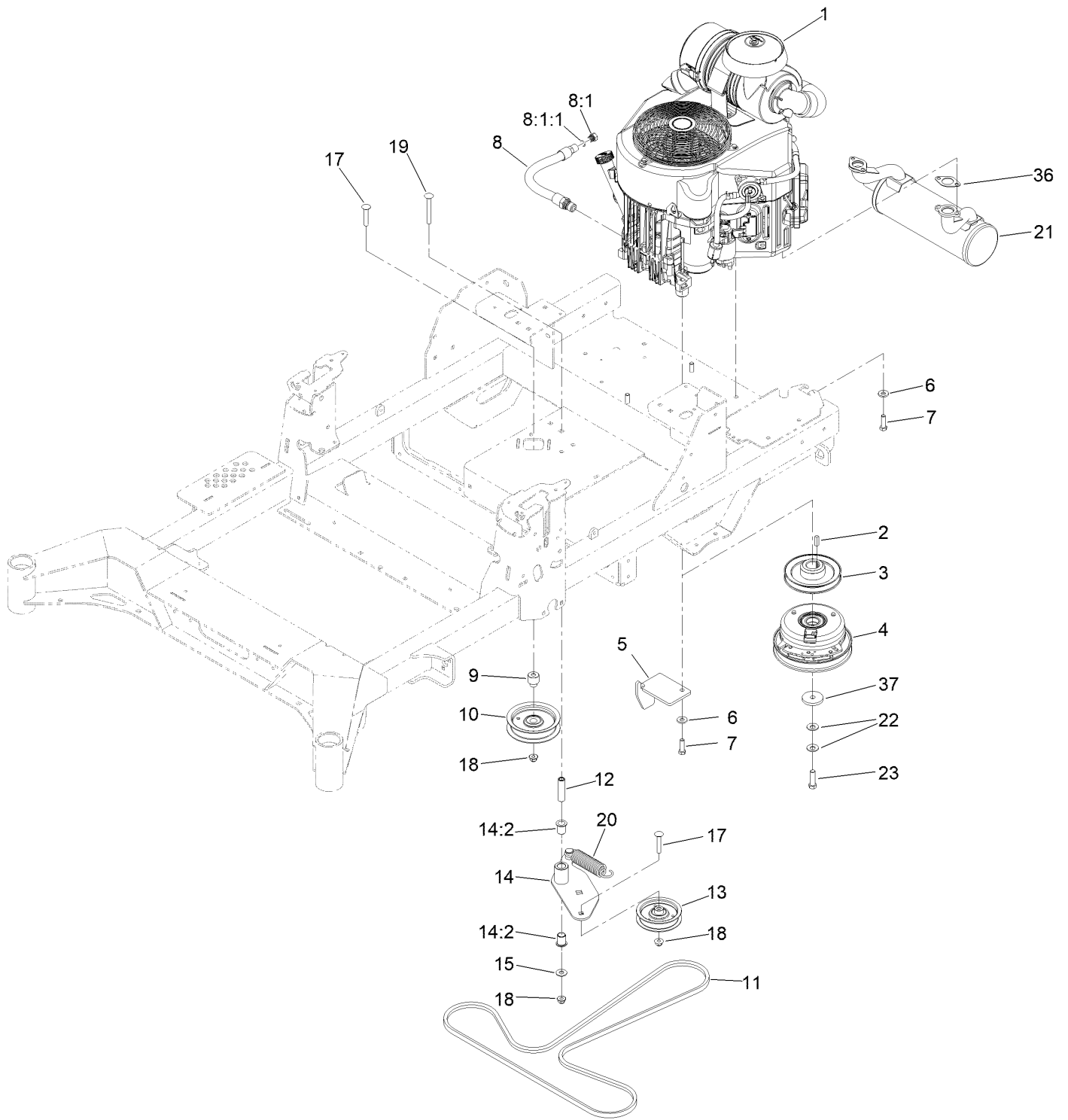
Deck Strut Assembly No. 140-1179



Deck Strut Assembly No. 140-1179 (continued)

<i>Ref.</i>	<i>Part Number</i>	<i>Qty.</i>	<i>Description</i>	<i>Ref.</i>	<i>Part Number</i>	<i>Qty.</i>	<i>Description</i>
2	126-8360	4	Bushing-Rubber, Suspension	4	3231-7	2	Screw-CARR
3	108-6544	4	Spacer	5	2844	2	Washer
				6	104-8301	2	Nut-HF, NI

Engine, Clutch and Muffler Assembly



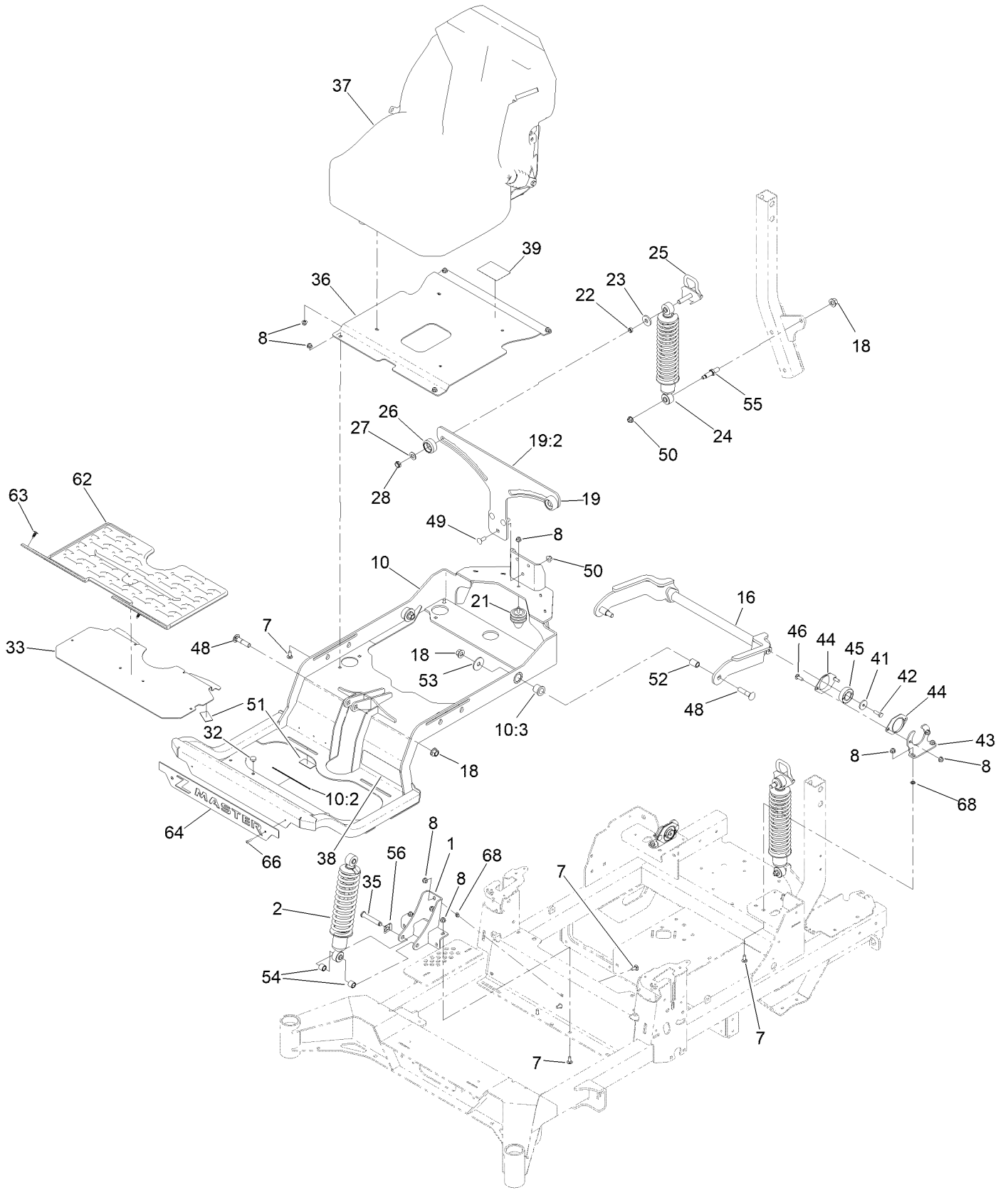
Engine, Clutch and Muffler Assembly (continued)

<i>Ref.</i>	<i>Part Number</i>	<i>Qty.</i>	<i>Description</i>	<i>Ref.</i>	<i>Part Number</i>	<i>Qty.</i>	<i>Description</i>
1		1	Engine-Kawasaki, Fx730V ▲◆	8:1:1	237-42	1	O-Ring
1:1		1	Kawasaki 49065-7007 Engine Oil Filter ●▲◆	9	126-7684	1	Bushing-Idler
1:2		1	Kawasaki 49019-7005 Fuel Filter ●▲◆	10	132-4718	1	Pulley-Idler, Flat
1:3		1	Kawasaki 11013-7045 Safety Filter ●▲◆	11	145-5727	1	Belt-V
1:4		1	Kawasaki 11013-7044 Engine Air Filter ●▲◆	12	139-6690	1	Bushing, Idler Pivot
2	1-807259	1	Key	13	140-4964	1	Pulley-Idler, Flat
3	126-5358	1	Sheave (W/Hub)	14	145-5731	1	Idler Arm ASM
4	147-2401	1	Clutch 6.75, 105 Ftlb, 1.125 Dd	14:2	138-2573	1	Bushing-Flange
5	140-1190	1	Anchor-Clutch	15	3256-4	1	Washer-Flat
6	98-5975	4	Washer-Belleville	17	117-9971	2	Bolt-Carriage
7	323-7	4	Screw-HH	18	104-8301	3	Nut-HF, NI
8	116-4924	1	Engine Oil Drain Hose ASM	19	3231-42	1	Screw-CARR
8:1	353-508	1	Plug-HH ■	20	138-7264	1	Spring-Extension
				21	126-4360	1	Muffler
				22	1-603610	2	Washer-Spring
				23	109-9761	1	Screw-HH
				36	1-653313	2	Gasket-Exhaust
				37	109-6919	1	Washer-Plain

● Not illustrated
▲ Not serviced separately

■ Torque to 24-26 ft-lb
◆ Obtain parts from www.kawpower.com

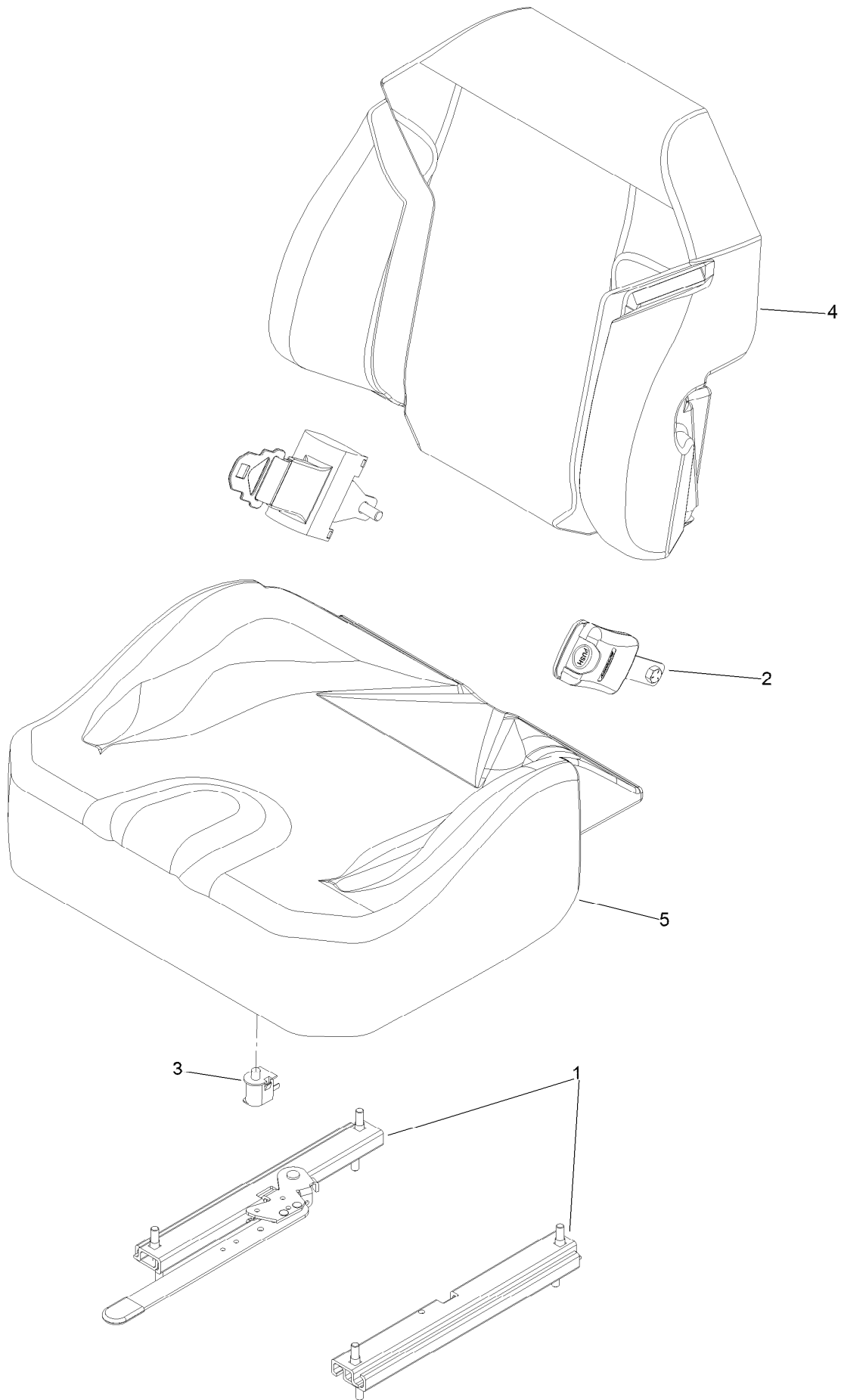
Seat Suspension Assembly



Seat Suspension Assembly (continued)

<i>Ref.</i>	<i>Part Number</i>	<i>Qty.</i>	<i>Description</i>	<i>Ref.</i>	<i>Part Number</i>	<i>Qty.</i>	<i>Description</i>
1	145-7036-03	1	Mount-Shock, Lower [black]	37	147-2383	1	Seat ASM-Standard
2	136-1719	1	Shock ASM-Front	38	144-0437	1	Decal-Myride
7	3230-23	12	Bolt-CARR	39	144-2669	1	Decal-Service Aid
8	104-8300	21	Nut-HF, NI	41	105-3048	2	Washer-Flat
10	147-4978	1	Subframe ASM	42	116-0648	2	Screw-HH, Thd Lock
10:2	132-0871	1	Decal-Danger	43	127-6759-03	2	Bracket-Bearing
10:3	127-6745	2	Bushing-Flange	44	127-6743	4	Housing-Bearing, Flange
16	127-6754-03	1	Arm-Trailing	45	1-653346	2	Bearing
18	99-5107	5	Nut-HF Nylock	46	3230-10	4	Bolt-CARR
19	144-2602	1	Bracket-Mounting	48	127-6768	3	Screw-CARR
19:2	132-5067	1	Decal-Adjustment, Ride	49	3231-22	3	Screw-CARR
21	126-5491	1	Isolator	50	104-8301	5	Nut-HF, NI
22	133-5109	2	Bearing-Sleeve	51	130-0733	4	Pad-Rubber
23	131-4699	2	Washer-Plastic	52	127-6751	2	Spacer-Aluminum
24	133-1815	2	Shock/Spring ASM	53	86-1990	2	Washer
25	136-9017	2	Cam Lock ASM	54	140-4869	2	Spacer-Tube
26	136-5636	2	Knob-Lock, Cam	55	133-4401	2	Bolt-Shoulder
27	3-6803	2	Washer-Adjusting	56	138-8491	1	Clip-Pin
28	3296-45	2	Nut-Hex	62	144-0355	1	Floormat-Myride
32	1-513658	2	Bumper	63	117-2382	2	Plug-Plastic
33	144-0381-01	1	Floorpan	64	147-4956-03	1	Plate-Badge
35	126-9181	1	Pin-Clevis	66	130-8451	2	Rivet-Trifold
36	140-1197-03	1	Pan-Seat	68	117-2749	6	Nut-Push

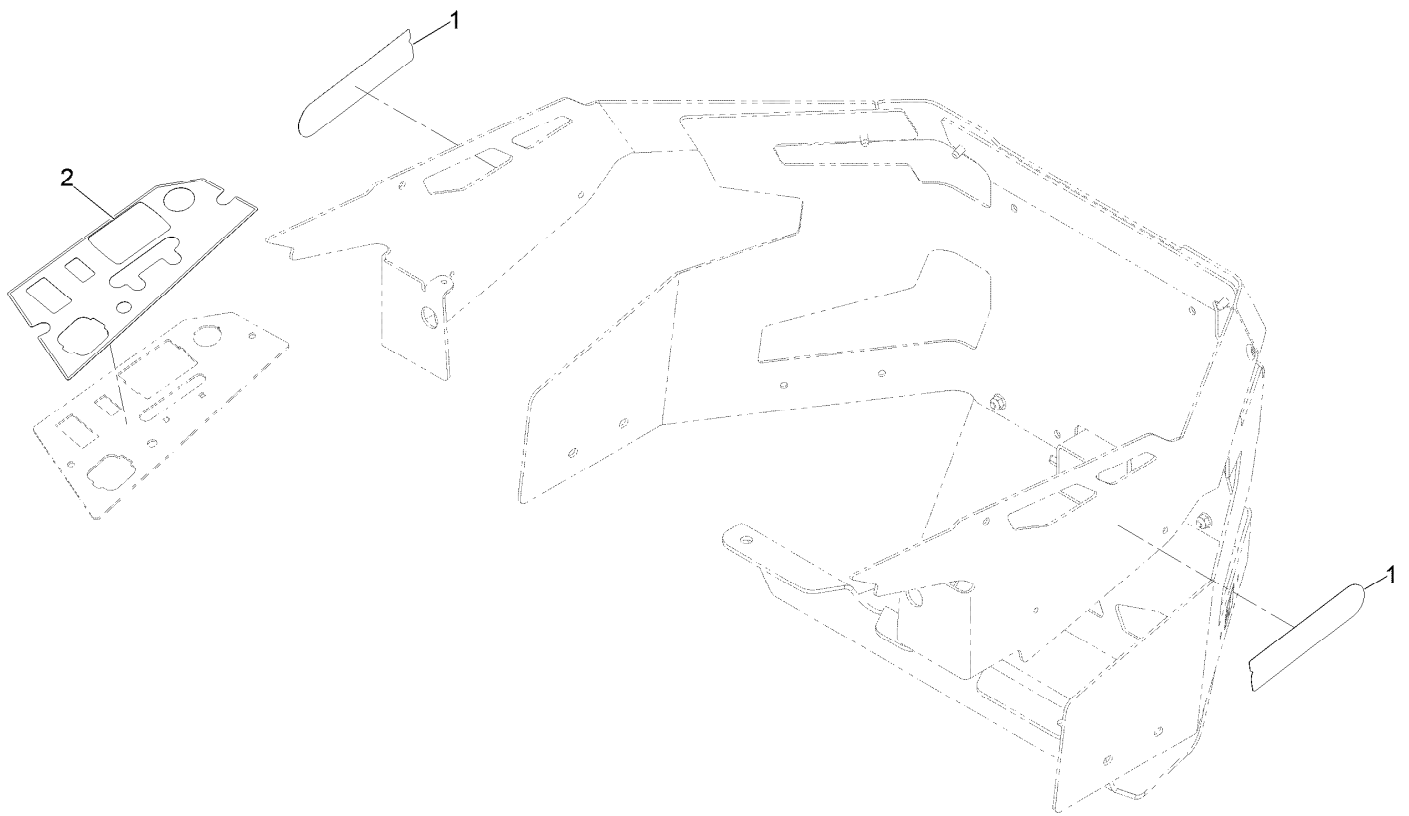
Seat Assembly No. 147-2383



Seat Assembly No. 147-2383 (continued)

<i>Ref.</i>	<i>Part Number</i>	<i>Qty.</i>	<i>Description</i>	<i>Ref.</i>	<i>Part Number</i>	<i>Qty.</i>	<i>Description</i>
1	109-9801	1	Seat Track Set	4	147-7367	1	Cover-Back, Seat
2	130-2854	1	Seat Belt Kit	5	147-7369	1	Cover-Bottom, Seat
3	82-2190	1	Switch-Bail				

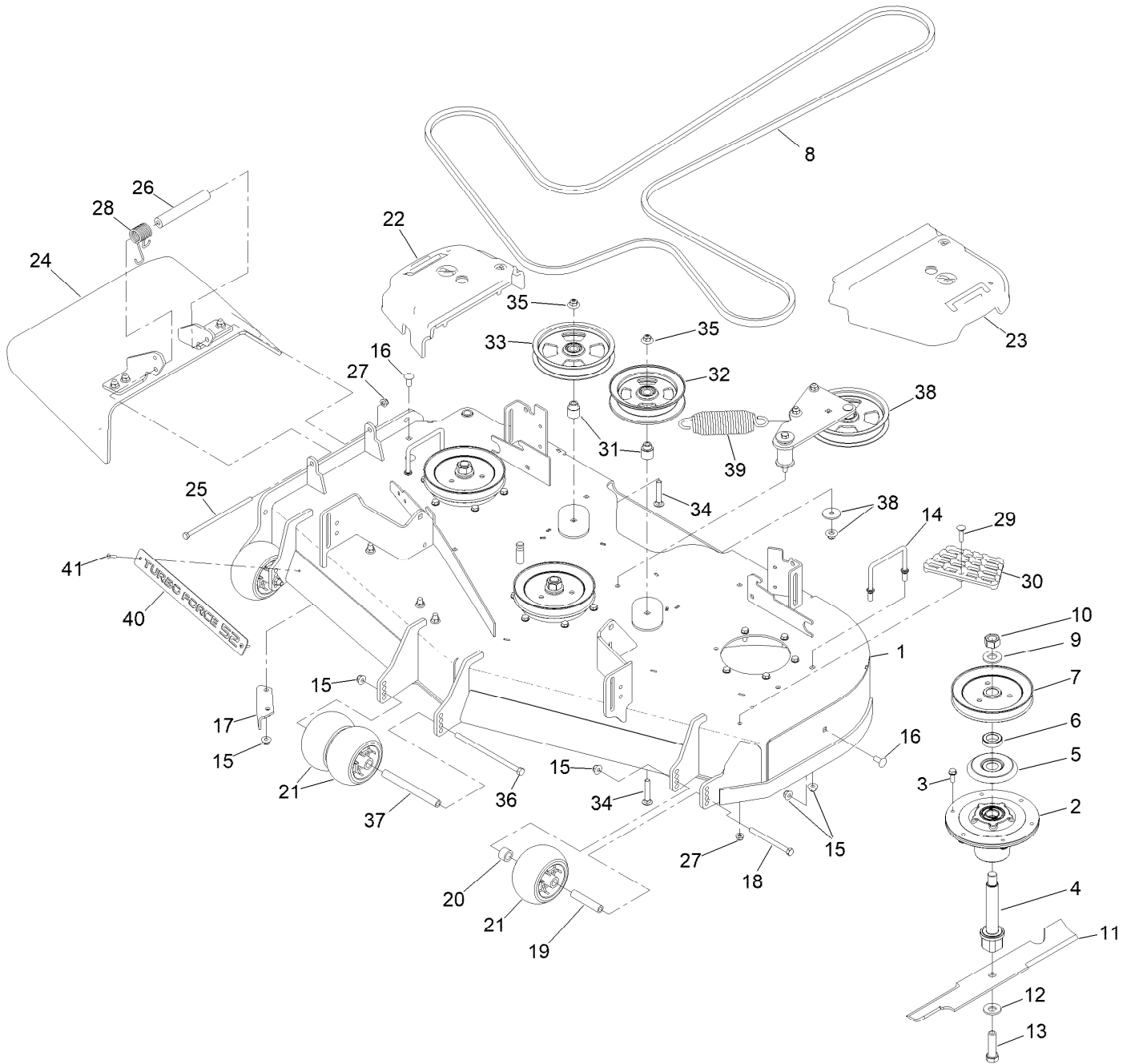
Decal Assembly



Decal Assembly (continued)

<i>Ref.</i>	<i>Part Number</i>	<i>Qty.</i>	<i>Description</i>
1	145-8407	2	Decal-2000 Series
2	147-4953	1	Decal-Panel, Control

Deck Assembly



Deck Assembly (continued)

<i>Ref.</i>	<i>Part Number</i>	<i>Qty.</i>	<i>Description</i>	<i>Ref.</i>	<i>Part Number</i>	<i>Qty.</i>	<i>Description</i>
1	147-7372	1	Deck Decal ASM	21	1-603299	4	Roller-Scalp, Anti
2	139-2357	3	Spindle ASM	22	109-6935	1	Cover-Belt, RH
3	32144-41	18	Screw-Taptite	23	109-6936	1	Cover-Belt, LH
4	133-2126	3	Shaft-Spindle	24	144-2635	1	Rubber Deflector ASM
5	117-7210	3	Shield-Bearing	25	322-50	1	Screw-HH
6	147-2381	3	Spacer-Pulley	26	105-4622	1	Spacer
7	138-6058	3	Sheave-Blade Drive 6.50	27	104-8300	2	Nut-HF, NI
8	144-0356	1	Belt-V	28	108-4052	1	Spring-Torsion
9	103-2802	3	Washer	29	3230-3	1	Screw-CARR
10	116-7306	3	Nut-Hex	30	126-4781-03	1	Step-Deck
11	133-2134	3	Blade-Rotary, 18.0In (Hi Flow)	31	139-8061	2	Bushing, Idler
12	125-1736	3	Washer-Belleville	32	132-9425	1	Pulley-Idler, Flat
13	51-4060	3	Screw-Blade	33	132-9424	1	Pulley-Idler, Flat
14	109-6982	2	Wireform-Cover	34	3231-7	2	Screw-CARR
15	104-8301	15	Nut-HF, NI	35	109-6658	2	Nut-Flange, NI
16	3231-27	8	Screw-CARR	36	108-5388	1	Screw-HH
17	107-8541-01	1	Baffle-Discharge	37	98-5967	1	Spacer-Wheel
18	323-23	2	Screw-HH	38	139-1087	1	Idler Arm ASM
19	133-2129	2	Tube-Shafting	39	116-6317	1	Spring-Extension
20	133-2128	2	Tube-Spacer	40	147-4975-03	1	Plate-Turbo Force
				41	130-8451	2	Rivet-Trifold

Deck Decal Assembly No. 147-7372



Deck Decal Assembly No. 147-7372 (continued)

<i>Ref.</i>	<i>Part Number</i>	<i>Qty.</i>	<i>Description</i>	<i>Ref.</i>	<i>Part Number</i>	<i>Qty.</i>	<i>Description</i>
1		1	ASM-Deck W/Decals ●	1:4	93-7818	1	Decal-Torque, Blade Bolt
1:2	117-3848	2	Decal-Danger	1:5	109-6035	1	Decal-Routing, Belt
1:3	127-0326	1	Decal-Scalp, Anti				

● Not serviced separately

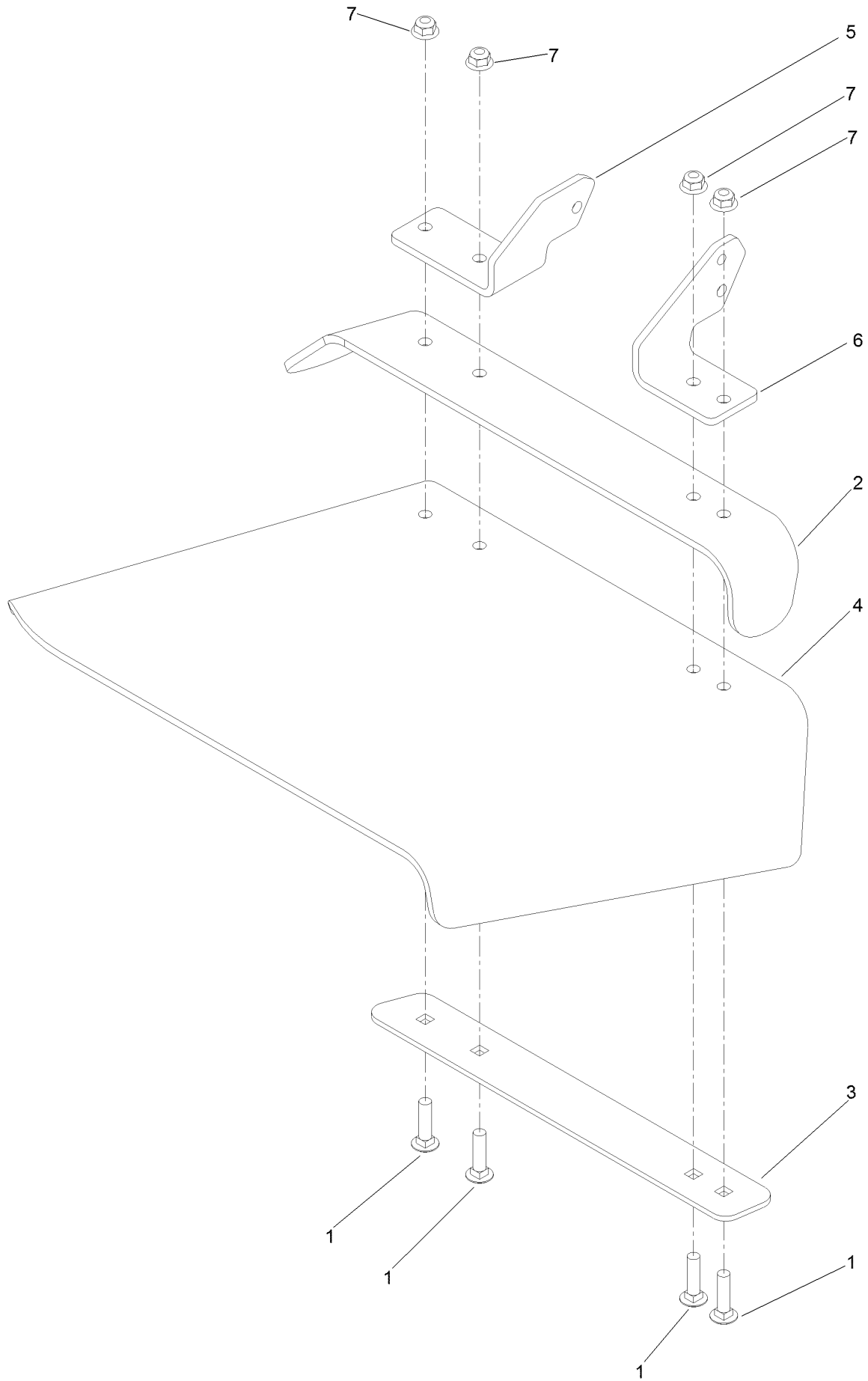
Spindle Assembly No. 139-2357



Spindle Assembly No. 139-2357 (continued)

<i>Ref.</i>	<i>Part Number</i>	<i>Qty.</i>	<i>Description</i>
2	116-0720	2	Bearing-Ball
3	138-7220	1	Spacer-Bearing

Deflector Assembly No. 144-2635



Deflector Assembly No. 144-2635 (continued)

<i>Ref.</i>	<i>Part Number</i>	<i>Qty.</i>	<i>Description</i>	<i>Ref.</i>	<i>Part Number</i>	<i>Qty.</i>	<i>Description</i>
1	3231-4	4	Screw-CARR	5	108-4059-01	1	Plate-Hinge, Rear
2	106-3246-01	1	Deflector	6	106-3253-01	1	Plate-Hinge, Front
3	106-3248-03	1	Strap-Discharge	7	104-8301	4	Nut-HF, NI
4	139-8114	1	Deflector-Deck, Rubber				

Idler Arm Assembly No. 139-1087



Idler Arm Assembly No. 139-1087 (continued)

<i>Ref.</i>	<i>Part Number</i>	<i>Qty.</i>	<i>Description</i>	<i>Ref.</i>	<i>Part Number</i>	<i>Qty.</i>	<i>Description</i>
1	139-1086	1	Idler Arm ASM	7	109-6658	3	Nut-Flange, NI
2	138-2573	2	Bushing-Flange	8	323-15	1	Screw-HH
3	139-8060	1	Bushing, Idler	9	3231-5	1	Screw-CARR
4	132-9424	1	Pulley-Idler, Flat	10	132-4729	1	Anchor-Spring, Short
5	139-6690	1	Bushing, Idler Pivot	11	136-9028	1	Bolt-Shoulder, HWH
6	1-213069	3	Washer	12	104-8301	1	Nut-HF, NI

Attachments and Accessories

For 77291TA — 52in Z Master Professional 2000 Series Riding Mower

Product Name	Model/Part
Hypr-Oil 500 (quart)	114-4713
Hypr-Oil 500 (gallon).....	114-4714
Hypr-Oil 500-5 (5 gallon).....	114-4715
Striper Kit.....	126-7882
Jack Kit.....	127-6666
Blade-Rotary, 18.0in (Hi Flow).....	133-2134
Blade-Rotary, Atomic 18.0.....	133-2159
Blade-Rotary, Recycling 18.0in.....	133-2162
Blade (6 Pack) 18in Hi Flow.....	133-2175
Blade (6 Pack) 18in Recycle.....	133-2178
Blade (6 Pack) 18in Atomic.....	133-2181
Spark Arrestor, 1.25 I.D.	137-8098
Tweel-Turf Tire.....	139-3649
Recycler Kit	139-6653
Semi Pneumatic Wheel and Tire Assembly, 13x6.50-6.....	140-4896
Trimmer Mount	144-2665
Jack Mount Kit.....	144-2676
Hardtop Sun Canopy	144-3719
Handle Extension Kit	145-3615
Bucket Mount Kit, Z Master 2000 or 4000 Series Riding Mower	147-6345
Universal Mount Kit, Z Master 2000 or 4000 Series Riding Mower	147-6346
Baffle Kit, Turbo Force 52in	147-7361
Arm Rest Kit.....	147-7397
2in Reciever Hitch Kit.....	161-2810
Bagger Kit, Z Master 2000 / 4000	78439

Notes:



Count on it.