



Count on it.

Parts Catalog

60in Z Master® Professional 2000 Series

Riding Mower

Model No. 77285—Serial No. 415229373 and Up



Ordering Replacement Parts

To order replacement parts, please supply the part number, the quantity, and the description of each part desired.

Understanding Reference Numbers

Each identified part in an illustration has a reference number. The reference number for a part also appears in the parts list, along with other information about the part.

This catalog uses two special reference number formats, one to indicate parts in a service assembly and another to indicate the quantity of a given part in an illustration.

Service Assembly Reference Numbers

Parts in service assemblies have reference numbers in the form a:b. The a represents the reference number of the entire service assembly and the b represents a sequential number unique to each part within the service assembly.

For example, a wheel assembly might be identified by reference number 6, the tire by 6:1, the valve by 6:2, and the wheel by 6:3. When you order the assembly identified by reference number 6, you receive all parts identified by reference numbers 6:1, 6:2, and 6:3. However, you may also order any part individually. Reference numbers of this type appear in illustration and in parts lists.

Reference Numbers Indicating Quantity

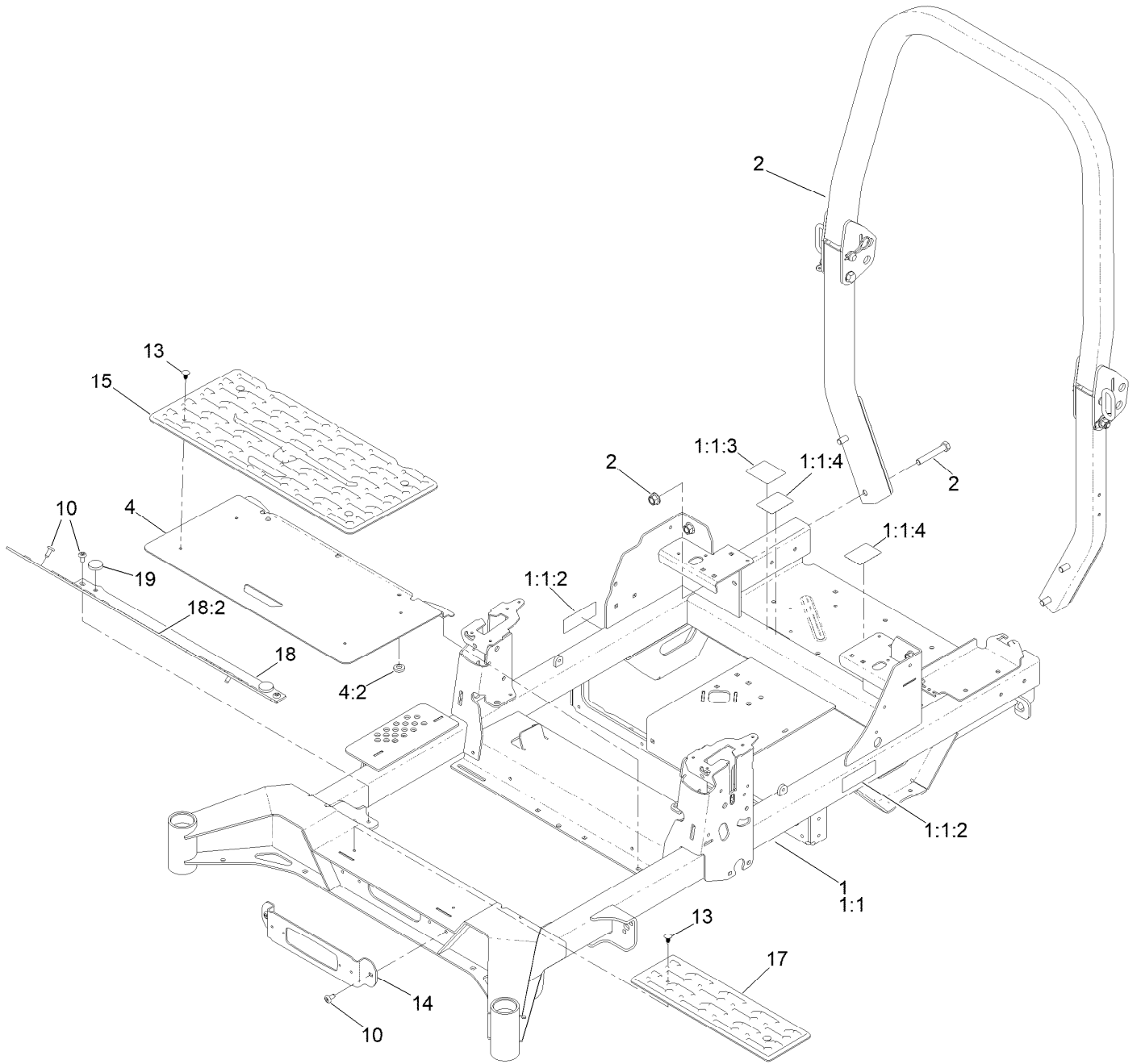
In an illustration, if a reference number indicates more than one part, the reference number has the form nX y. The n represents the quantity of the part, the X is the multiplication symbol, and the y represents the reference number.

For example, in an illustration, the reference number 2X 37 means that two of the parts identified by reference number 37 are indicated.

Contents

| | |
|---|----|
| Frame Assembly | 4 |
| Roll-Over Protection System Assembly No. 139-8062 | 6 |
| Hydro Drive Assembly | 8 |
| LH Transaxle Assembly No. 145-8424 | 10 |
| RH Transaxle Assembly No. 145-8425 | 12 |
| Throttle, Choke and Guards Assembly | 14 |
| Fuel Assembly | 16 |
| Fuel Tank Assembly No. 147-2403 | 18 |
| Seat Mount Assembly | 20 |
| Seat Assembly No. 147-2384 | 22 |
| Motion Control Assembly | 24 |
| Left and Right Motion Control Assembly | 26 |
| Front Caster Wheel Assembly | 28 |
| Fork and Caster Assembly | 30 |
| Rear Drive Wheel Assembly | 32 |
| Electrical Assembly | 34 |
| Wire Harness Assembly No. 147-2363 | 36 |
| Deck Lift Assembly | 38 |
| Deck Strut Assembly No. 140-1179 | 40 |
| Engine, Clutch and Muffler Assembly | 42 |
| Air Cleaner Assembly No. 93-2190 | 44 |
| Decal Assembly | 46 |
| Deck Assembly | 48 |
| Deck Decal Assembly No. 147-7373 | 50 |
| Spindle Assembly No. 139-2357 | 52 |
| Deflector Assembly No. 144-2635 | 54 |
| Idler Arm Assembly No. 139-1087 | 56 |
| Fuel System Assembly | 58 |
| Carburetor Assembly | 60 |
| Air Intake and Filtration Assembly | 62 |
| Ignition and Cooling Fan Assembly | 64 |
| Crankcase and Crankshaft Assembly | 66 |
| Governor Control Assembly | 68 |
| Piston and Cylinder Head Assembly | 70 |
| Blower Housing Assembly | 72 |
| Gasket and Seal Kit | 74 |
| Attachments and Accessories | 76 |

Frame Assembly



Frame Assembly (continued)

| <i>Ref.</i> | <i>Part Number</i> | <i>Qty.</i> | <i>Description</i> | <i>Ref.</i> | <i>Part Number</i> | <i>Qty.</i> | <i>Description</i> |
|-------------|--------------------|-------------|------------------------|-------------|--------------------|-------------|------------------------|
| 1 | 145-7031 | 1 | Frame ASM | 10 | 138-9753 | 6 | Screw |
| 1:1 | | 1 | Frame-60 ● | 13 | 117-2382 | 6 | Plug-Plastic |
| 1:1:2 | 126-4363 | 2 | Decal-Warning | 14 | 140-4994-01 | 1 | Bracket-Light |
| 1:1:3 | 109-6014 | 1 | Decal-Routing, Belt | 15 | 140-7950 | 1 | Floormat-Fixed Seat |
| 1:1:4 | 147-4982 | 2 | Decal-Bypass | 17 | 140-4992 | 1 | Step |
| 2 | 139-8062 | 1 | ASM-ROPS | 18 | 140-4995 | 1 | Toeboard |
| 4 | 138-6098 | 1 | Floor Pan ASM | 18:2 | 126-8383 | 1 | Decal-Danger |
| 4:2 | 109-9233 | 2 | Bumper-Push-In, Rubber | 19 | 109-9233 | 2 | Bumper-Push-In, Rubber |

● Not serviced separately

Roll-Over Protection System Assembly No. 139-8062



Roll-Over Protection System Assembly No. 139-8062 (continued)

| <i>Ref.</i> | <i>Part Number</i> | <i>Qty.</i> | <i>Description</i> | <i>Ref.</i> | <i>Part Number</i> | <i>Qty.</i> | <i>Description</i> |
|-------------|--------------------|-------------|---------------------|-------------|--------------------|-------------|--------------------|
| 1 | | 1 | Upper ROPS ASM ● | 5 | 103-4553 | 2 | ROPS Fold Pin ASM |
| 1:2 | 107-3069 | 1 | Decal-Warning | 6 | 99-5107 | 6 | Nut-HF Nylock |
| 2 | | 1 | RH Lower ROPS ASM ● | 7 | 109-5337 | 2 | Bumper-ROPS |
| 3 | | 1 | LH Lower ROPS ASM ● | 8 | 109-9505 | 4 | Washer-Spring |
| 4 | 126-9209 | 2 | Bolt-Shoulder | 9 | 325-13 | 4 | Screw-HH |

● Not serviced separately

Hydro Drive Assembly



Hydro Drive Assembly (continued)

| <i>Ref.</i> | <i>Part Number</i> | <i>Qty.</i> | <i>Description</i> | <i>Ref.</i> | <i>Part Number</i> | <i>Qty.</i> | <i>Description</i> |
|-------------|--------------------|-------------|--------------------|-------------|--------------------|-------------|---------------------|
| 1 | 145-8424 | 1 | Transaxle ASM | 8 | 94-7972 | 2 | Screw-HH, Patch |
| 2 | 145-8425 | 1 | Transaxle ASM | 9 | 109-3652 | 2 | Spacer |
| 3 | 126-4687 | 4 | Screw-HHF | 10 | 126-5896 | 2 | Screw HHF |
| 4 | 1-303334 | 4 | Washer-Spring | 11 | 3230-7 | 2 | Bolt-CARR |
| 5 | 104-8300 | 8 | Nut-HF, NI | 12 | 125-8950 | 2 | Rod-Bypass |
| 6 | 145-5708 | 1 | Shaft-Spacer | 13 | 119-1415 | 2 | Pin-Cotter, Locking |
| 7 | 3256-4 | 2 | Washer-Flat | | | | |

LH Transaxle Assembly No. 145-8424



LH Transaxle Assembly No. 145-8424 (continued)

| <i>Ref.</i> | <i>Part Number</i> | <i>Qty.</i> | <i>Description</i> | <i>Ref.</i> | <i>Part Number</i> | <i>Qty.</i> | <i>Description</i> |
|-------------|--------------------|-------------|----------------------------|-------------|--------------------|-------------|--------------------|
| 23 | 109-3321 | 1 | Element-Oil Filter, HYD | 203 | 114-8465 | 1 | Charge Kit |
| 30 | 139-7497 | 1 | Seal-Lip | 203:1 | 114-8457 | 1 | Cover-Charge Pump |
| 34 | 107-2490 | 1 | Arm-Bypass | 203:2 | 104-2122 | 1 | Gerotor ASM |
| 35 | 106-8681 | 1 | Ring-Retaining, External | 203:3 | 109-3540 | 1 | O Ring-Seal |
| 43 | 112-9853 | 1 | Puck-Friction | 203:4 | 104-2120 | 1 | Screw |
| 97 | 116-3872 | 1 | Hub-Offset | 207 | 126-8904 | 1 | Fan And Pulley Kit |
| 102 | 125-0021 | 1 | Handle-Brake | 207:1 | 126-8905 | 1 | Hub-Fan |
| 106 | 120-7979 | 1 | Guard-Filter, LH | 207:2 | 126-0226 | 1 | Fan |
| 156 | 116-6214 | 1 | Cap-Axle, Long | 207:3 | 116-9714 | 1 | Nut-HJ |
| 165 | 116-6213 | 1 | Tube-Axle | 210 | 121-3248 | 1 | Input Shaft Kit |
| 194 | 147-7366 | 1 | Assembly-Fitting, Breather | 211 | 117-5362 | 1 | Control Arm Kit |
| 200 | 121-3243 | 1 | Seal Kit | 215 | 140-8353 | 1 | Inboard Kit |

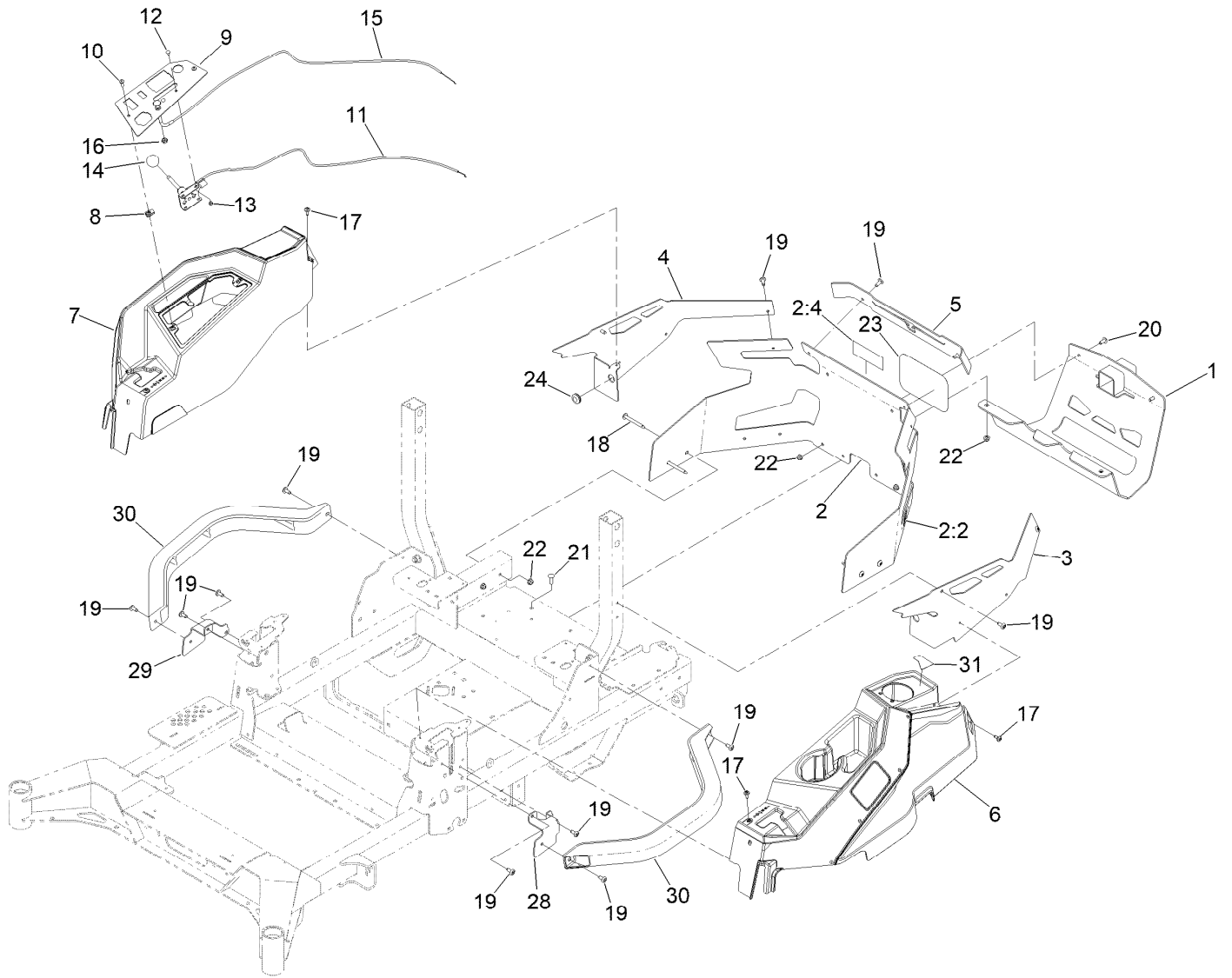
RH Transaxle Assembly No. 145-8425



RH Transaxle Assembly No. 145-8425 (continued)

| <i>Ref.</i> | <i>Part Number</i> | <i>Qty.</i> | <i>Description</i> | <i>Ref.</i> | <i>Part Number</i> | <i>Qty.</i> | <i>Description</i> |
|-------------|--------------------|-------------|----------------------------|-------------|--------------------|-------------|--------------------|
| 23 | 109-3321 | 1 | Element-Oil Filter, HYD | 203 | 114-8465 | 1 | Charge Kit |
| 30 | 139-7497 | 1 | Seal-Lip | 203:1 | 114-8457 | 1 | Cover-Charge Pump |
| 34 | 107-2490 | 1 | Arm-Bypass | 203:2 | 104-2122 | 1 | Gerotor ASM |
| 35 | 106-8681 | 1 | Ring-Retaining, External | 203:3 | 109-3540 | 1 | O Ring-Seal |
| 43 | 112-9853 | 1 | Puck-Friction | 203:4 | 104-2120 | 1 | Screw |
| 97 | 116-3872 | 1 | Hub-Offset | 207 | 126-8904 | 1 | Fan And Pulley Kit |
| 102 | 125-0021 | 1 | Handle-Brake | 207:1 | 126-8905 | 1 | Hub-Fan |
| 106 | 120-7981 | 1 | Guard-Filter, RH | 207:2 | 126-0226 | 1 | Fan |
| 156 | 116-6214 | 1 | Cap-Axle, Long | 207:3 | 116-9714 | 1 | Nut-HJ |
| 165 | 116-6213 | 1 | Tube-Axle | 210 | 121-3248 | 1 | Input Shaft Kit |
| 194 | 147-7366 | 1 | Assembly-Fitting, Breather | 211 | 117-5362 | 1 | Control Arm Kit |
| 200 | 121-3243 | 1 | Seal Kit | 215 | 140-8353 | 1 | Inboard Kit |

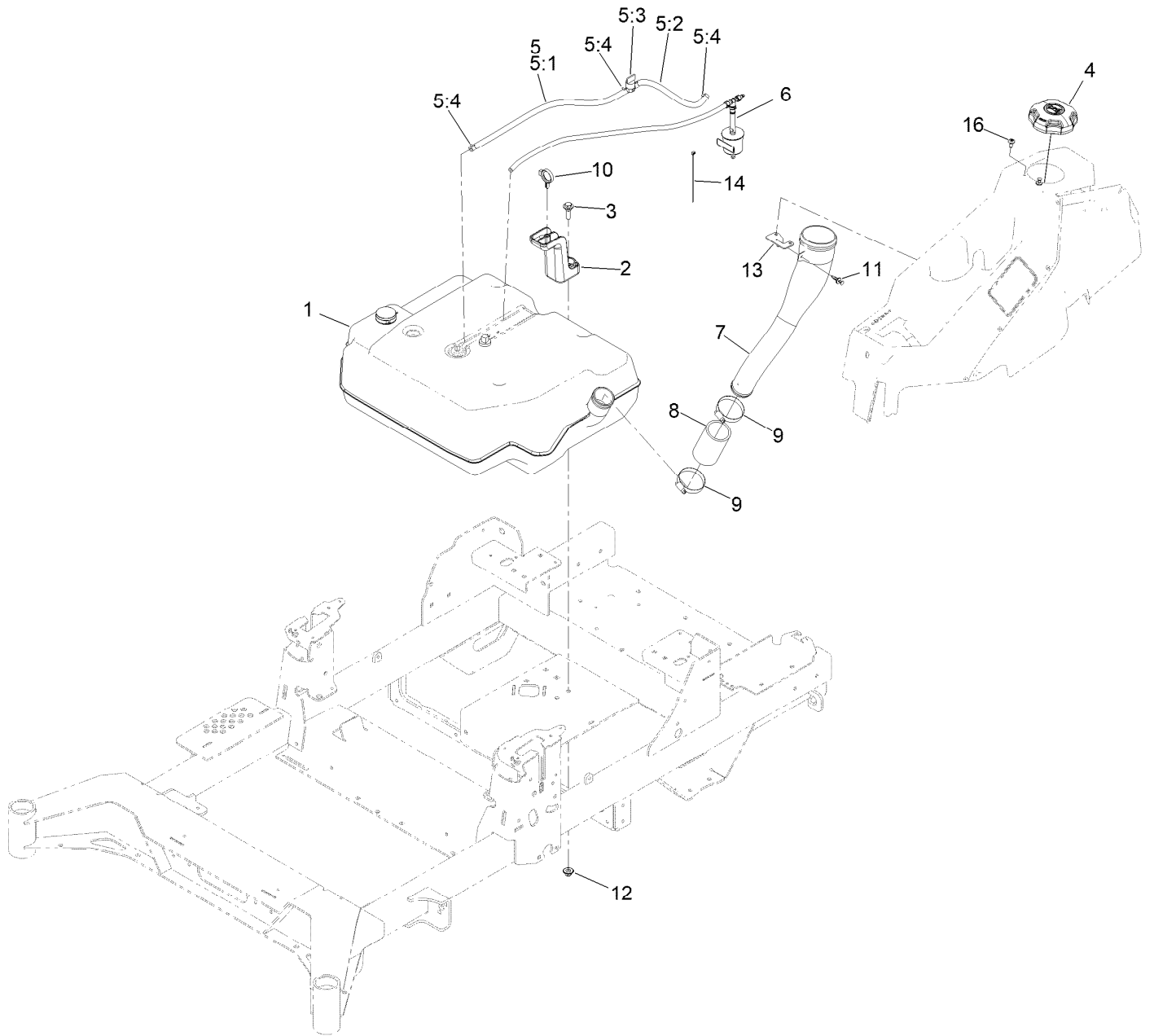
Throttle, Choke and Guards Assembly



Throttle, Choke and Guards Assembly (continued)

| <i>Ref.</i> | <i>Part Number</i> | <i>Qty.</i> | <i>Description</i> | <i>Ref.</i> | <i>Part Number</i> | <i>Qty.</i> | <i>Description</i> |
|-------------|--------------------|-------------|-------------------------|-------------|--------------------|-------------|----------------------|
| 1 | 147-2408-03 | 1 | Guard-Muffler | 14 | 1-603175 | 1 | Knob-Ball |
| 2 | 145-7022 | 1 | Rear Guard ASM | 15 | 139-6735 | 1 | Cable-Control, Choke |
| 2:2 | 106-5517 | 2 | Decal-Warning | 16 | 3220-3 | 1 | Nut-HJ |
| 2:4 | 147-7364 | 1 | Decal-Hitch | 17 | 120-7950 | 6 | Screw-Torx |
| 3 | 145-8443-01 | 1 | Guard-Rear, LH | 18 | 126-6267 | 4 | Screw-TTH |
| 4 | 145-8444-01 | 1 | Guard-Rear, RH | 19 | 138-9753 | 14 | Screw |
| 5 | 145-7007-01 | 1 | Guard-Rear, Top | 20 | 126-6268 | 2 | Screw-TTH |
| 6 | 147-2352 | 1 | LH Pod ASM | 21 | 3230-22 | 2 | Screw-CARR |
| 7 | 147-2353 | 1 | RH Pod ASM | 22 | 104-8300 | 8 | Nut-HF, NI |
| 8 | 107069 | 2 | Clip | 23 | 67-7320 | 1 | Decal |
| 9 | 145-8498-03 | 1 | Panel-Control | 24 | 112-7069 | 1 | Grommet |
| 10 | 138-0689 | 2 | Screw-PH | 28 | 145-8481-01 | 1 | Bracket-Mount, LH |
| 11 | 139-6734 | 1 | Cable-Control, Throttle | 29 | 145-8484-01 | 1 | Bracket-Mount, RH |
| 12 | 1-807513 | 2 | Bolt-CARR | 30 | 147-2385-01 | 2 | Tube-Pod |
| 13 | 3296-2 | 2 | Nut-Lock, NI | 31 | 147-2399 | 1 | Decal-Fuel Fill |

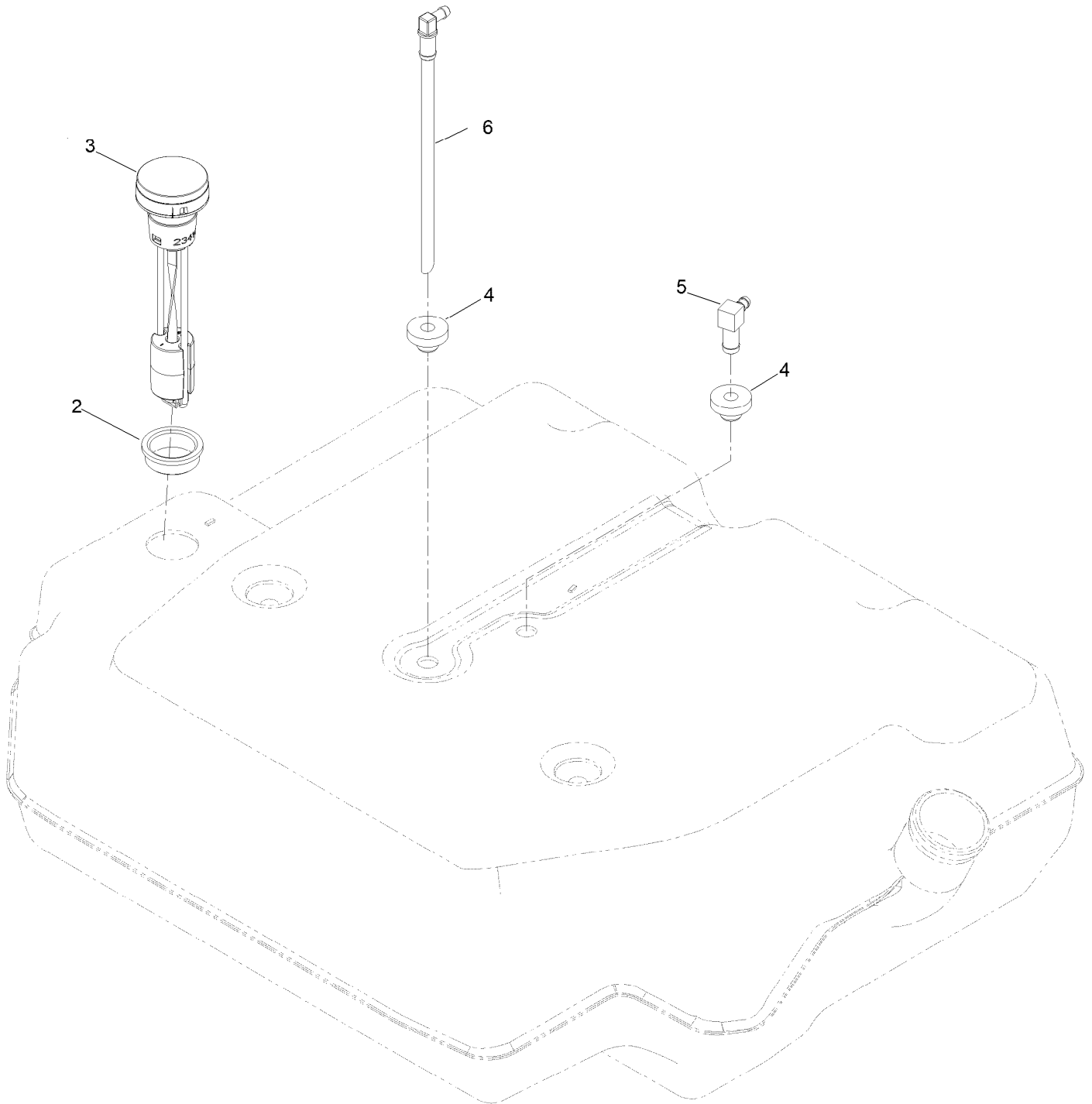
Fuel Assembly



Fuel Assembly (continued)

| <i>Ref.</i> | <i>Part Number</i> | <i>Qty.</i> | <i>Description</i> | <i>Ref.</i> | <i>Part Number</i> | <i>Qty.</i> | <i>Description</i> |
|-------------|--------------------|-------------|----------------------|-------------|--------------------|-------------|-----------------------------------|
| 1 | 147-2403 | 1 | Tank ASM-Fuel | 7 | 147-7350 | 1 | Neck-Filler, Fuel |
| 2 | 145-5778 | 1 | Retainer-Tank, Rear | 8 | 145-4698 | 1 | Hose-Filler, Fuel |
| 3 | 614672 | 1 | Screw-Shoulder, HWH | 9 | 2412-130 | 2 | Clamp-Hose |
| 4 | 137-4119 | 1 | Cap-Fuel, Ratcheting | 10 | 104-2490 | 1 | Clamp-Hose |
| 5 | 147-4649 | 1 | Fuel Hose ASM | 11 | 125-9622 | 1 | Rivet-Blind |
| 5:1 | 109-0301 | 1 | Hose-Fuel | 12 | 104-8301 | 1 | Nut-HF, NI |
| 5:2 | 114-3766 | 1 | Hose-Fuel | 13 | 161-2890 | 1 | Bracket-Mounting, Fill |
| 5:3 | 1-603770 | 1 | Valve-Fuel | 14 | 32180-082 | 1 | Clip-Edge W/Tie, Perpendicular |
| 5:4 | 2412-98 | 4 | Clamp-Hose | | | | |
| 6 | 147-4950 | 1 | Vent Hose ASM | 16 | 120-7950 | 2 | Screw-Torx |

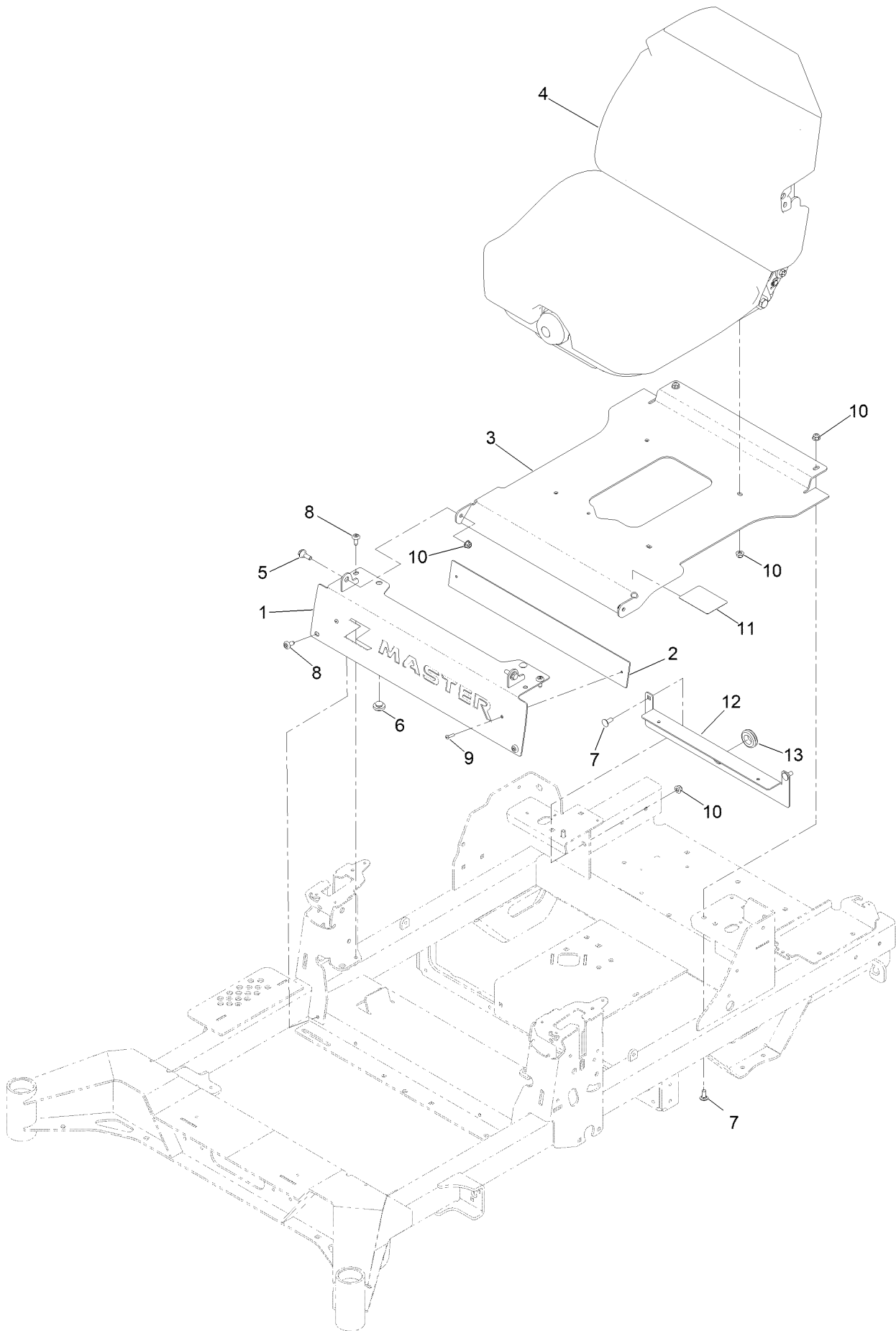
Fuel Tank Assembly No. 147-2403



Fuel Tank Assembly No. 147-2403 (continued)

| <i>Ref.</i> | <i>Part Number</i> | <i>Qty.</i> | <i>Description</i> | <i>Ref.</i> | <i>Part Number</i> | <i>Qty.</i> | <i>Description</i> |
|-------------|--------------------|-------------|--------------------|-------------|--------------------|-------------|------------------------|
| 2 | 133-9269 | 1 | Grommet-Fuel | 5 | 126-9057 | 1 | Fitting-90 DEG |
| 3 | 139-8058 | 1 | Gauge-Fuel | 6 | 140-4955 | 1 | Connector Elbow-90 DEG |
| 4 | 46-6560 | 2 | Bushing | | | | |

Seat Mount Assembly



Seat Mount Assembly (continued)

| <i>Ref.</i> | <i>Part Number</i> | <i>Qty.</i> | <i>Description</i> | <i>Ref.</i> | <i>Part Number</i> | <i>Qty.</i> | <i>Description</i> |
|-------------|--------------------|-------------|-------------------------|-------------|--------------------|-------------|--------------------|
| 1 | 145-7025-03 | 1 | Badge Plate ASM [black] | 8 | 138-9753 | 4 | Screw |
| 2 | 147-4954-01 | 1 | Plate-Backer | 9 | 130-8451 | 2 | Rivet-Trifold |
| 3 | 147-7354-03 | 1 | Pan-Seat | 10 | 104-8300 | 10 | Nut-HF, NI |
| 4 | 147-2384 | 1 | Seat ASM-Suspension | 11 | 144-2669 | 1 | Decal-Service Aid |
| 5 | 116-2670 | 2 | Screw-Shoulder | 12 | 147-2362-03 | 1 | Bracket-Firewall |
| 6 | 135-0505 | 2 | Bumper-Seat | 13 | 1-543286 | 1 | Grommet |
| 7 | 3230-23 | 4 | Bolt-CARR | | | | |

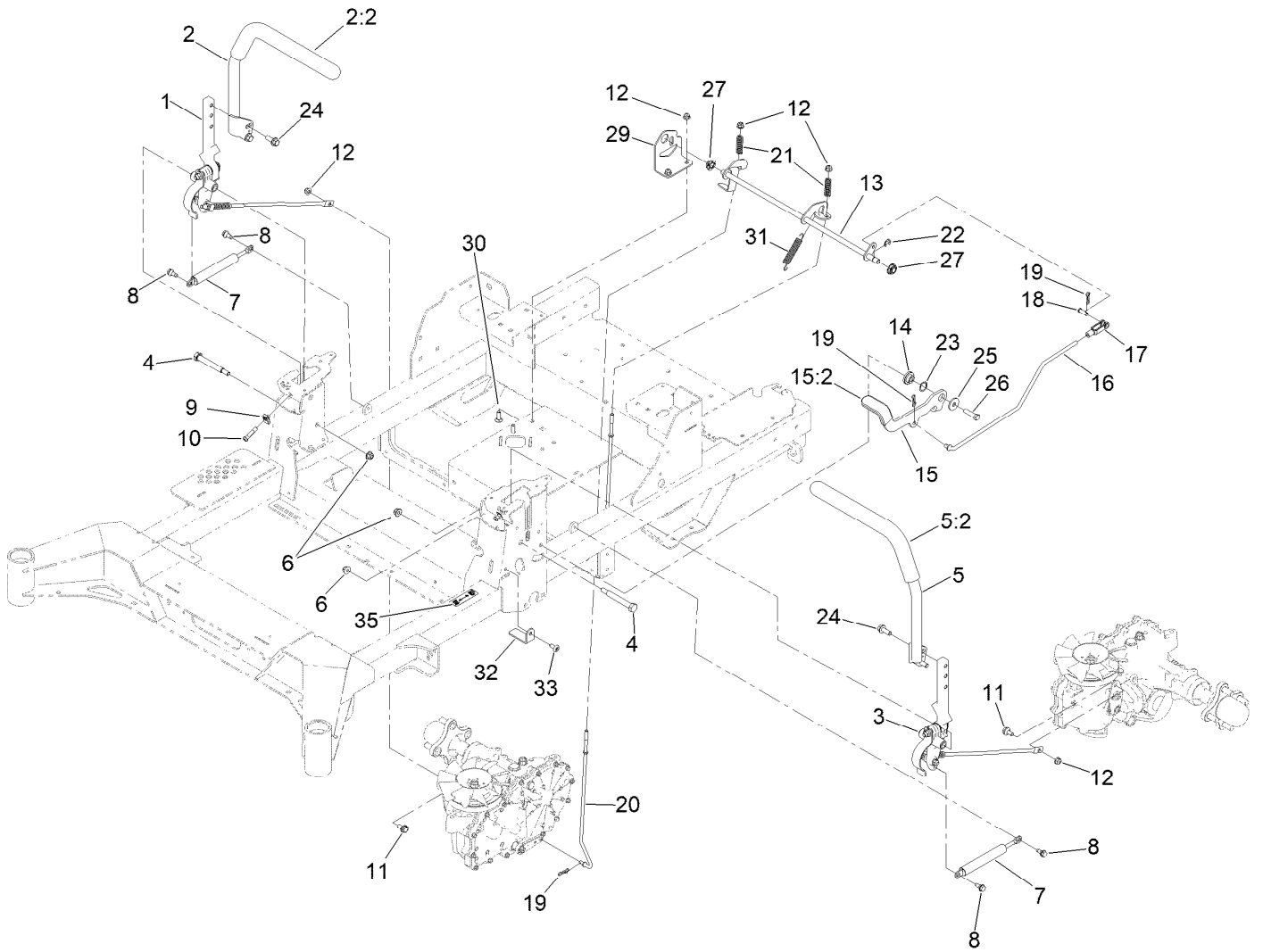
Seat Assembly No. 147-2384



Seat Assembly No. 147-2384 (continued)

| <i>Ref.</i> | <i>Part Number</i> | <i>Qty.</i> | <i>Description</i> | <i>Ref.</i> | <i>Part Number</i> | <i>Qty.</i> | <i>Description</i> |
|-------------|--------------------|-------------|--------------------|-------------|--------------------|-------------|----------------------------------|
| 1 | 126-8558 | 1 | Tracks-4" Travel | 5 | 147-7367 | 1 | Cover-Back, Seat |
| 2 | 116-8911 | 1 | Knob-Adjuster | 6 | 147-7368 | 1 | Cover-Bottom, Suspension Seat |
| 3 | 146-0595 | 1 | Seat Belt Kit | | | | |
| 4 | 82-2190 | 1 | Switch-Bail | | | | |

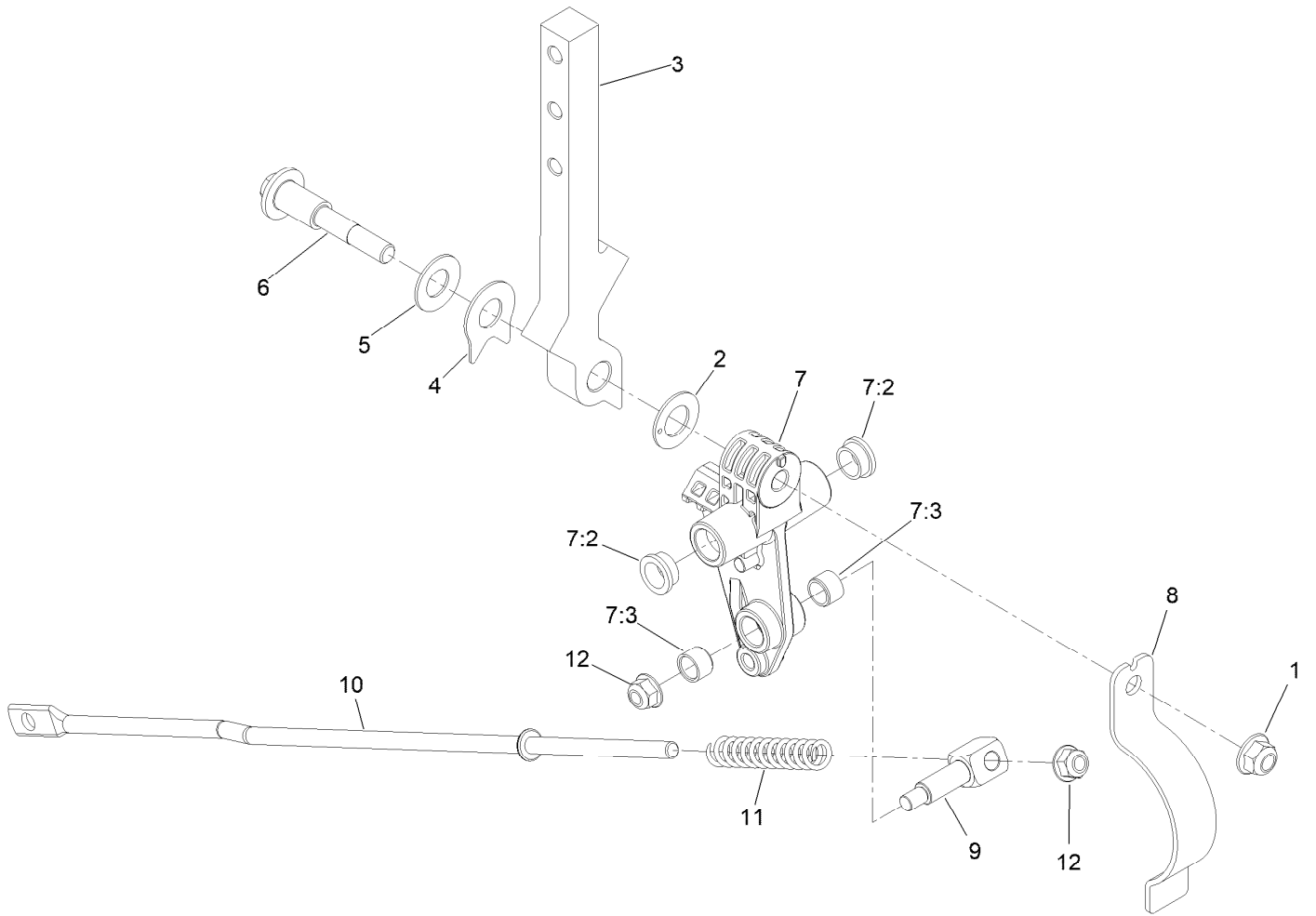
Motion Control Assembly



Motion Control Assembly (continued)

| <i>Ref.</i> | <i>Part Number</i> | <i>Qty.</i> | <i>Description</i> | <i>Ref.</i> | <i>Part Number</i> | <i>Qty.</i> | <i>Description</i> |
|-------------|--------------------|-------------|-----------------------|-------------|--------------------|-------------|--------------------------|
| 1 | 145-5725 | 1 | Motion Control ASM-RH | 16 | 145-5722 | 1 | Linkage-Brake, Upper |
| 2 | 147-2390 | 1 | RH Handle ASM | 17 | 1-303105 | 1 | Yoke-Adjustable |
| 2:2 | 109-5668 | 1 | Grip-Lever, Control | 18 | 1-808280 | 1 | Pin-Clevis |
| 3 | 145-5724 | 1 | Motion Control ASM-LH | 19 | 119-1415 | 4 | Pin-Cotter, Locking |
| 4 | 115-5099 | 2 | Bolt-Pivot | 20 | 126-7217 | 2 | Linkage-Brake, Lower |
| 5 | 147-2391 | 1 | LH Handle ASM | 21 | 109-7694 | 2 | Spring-Compression |
| 5:2 | 109-5668 | 1 | Grip-Lever, Control | 22 | 32120-47 | 1 | Ring-Retaining, External |
| 6 | 104-8301 | 3 | Nut-HF, NI | 23 | 119-4164 | 1 | Washer-Wave |
| 7 | 142-6851 | 2 | Damper | 24 | 110-5052 | 4 | Screw-HHF |
| 8 | 126-4424 | 4 | Screw-Shoulder | 25 | 2844 | 1 | Washer |
| 9 | 112-3306 | 2 | Nut | 26 | 323-8 | 1 | Screw-HH |
| 10 | 126-4299 | 2 | Screw-HSBH | 27 | 126-5820 | 2 | Bearing-Spherical |
| 11 | 37-8771 | 2 | Bolt-Shoulder, HF | 29 | 145-5726 | 1 | Bracket-Brake |
| 12 | 104-8300 | 6 | Nut-HF, NI | 30 | 3230-22 | 2 | Screw-CARR |
| 13 | 145-5719 | 1 | Shaft-Brake | 31 | 109-7124 | 1 | Spring-Extension |
| 14 | 126-5989 | 1 | Pivot-Flange | 32 | 145-3685 | 2 | Plate-Stop, Rtn |
| 15 | 147-7375 | 1 | Lever-Brake | 33 | 138-9753 | 2 | Screw |
| 15:2 | 132-4749 | 1 | Grip-Lever | 35 | 115-9625 | 1 | Decal-Brake, Parking |

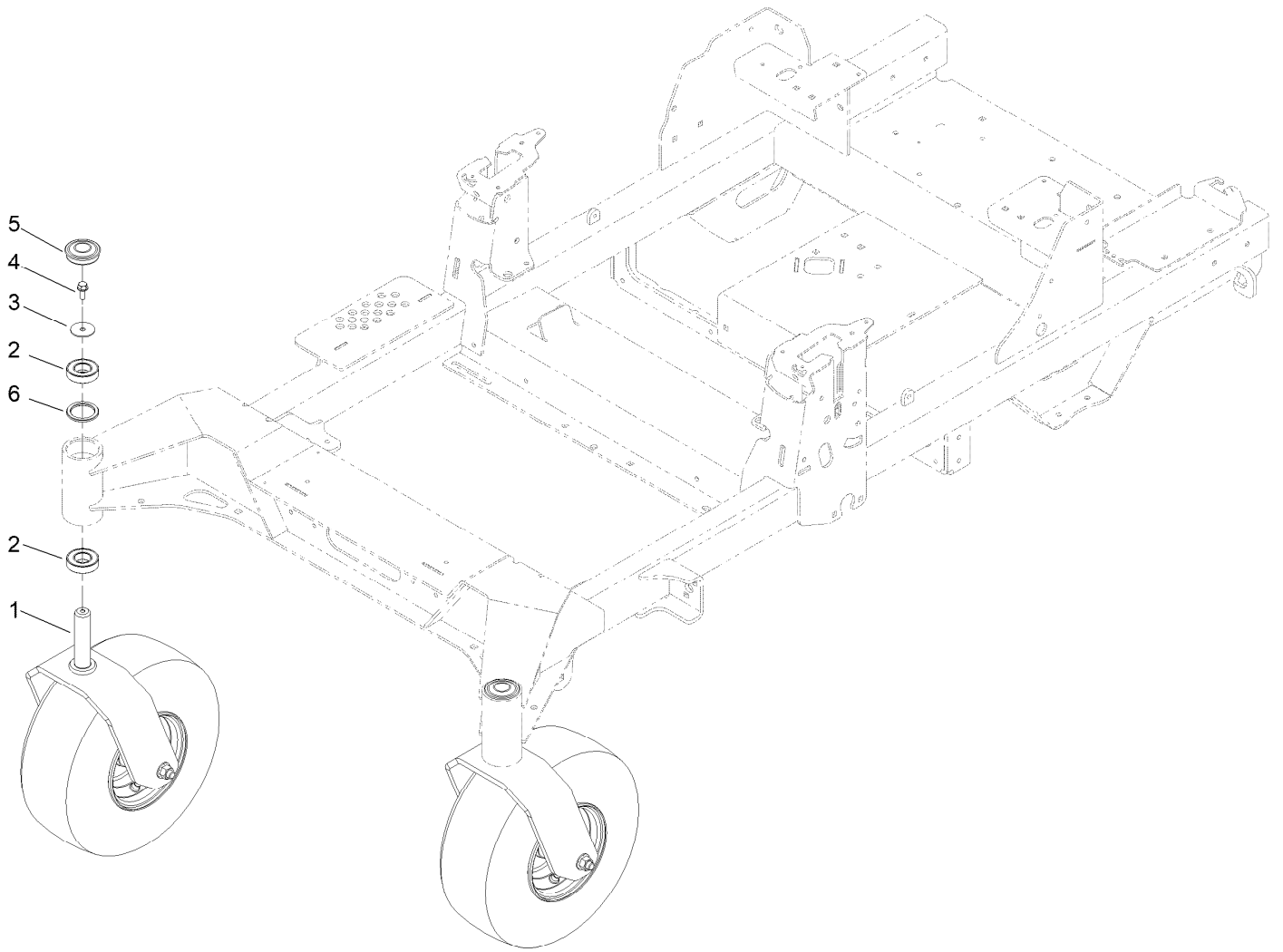
Left and Right Motion Control Assembly



Left and Right Motion Control Assembly (continued)

| <i>Ref.</i> | <i>Part Number</i> | <i>Qty.</i> | <i>Description</i> | <i>Ref.</i> | <i>Part Number</i> | <i>Qty.</i> | <i>Description</i> |
|-------------|--------------------|-------------|-----------------------|-------------|--------------------|-------------|------------------------|
| 1 | 104-8301 | 1 | Nut-HF, NI | 7:2 | 126-8909 | 2 | Bushing |
| 2 | 126-7296 | 1 | Washer-Friction | 7:3 | 1-413152 | 2 | Bushing-Sleeve |
| 3 | 147-2389 | 1 | Arm-Control | 8 | 145-5799 | 1 | Spring-Rtn |
| 4 | 142-8478 | 1 | Spacer, Anti-Rotation | 9 | 126-5434 | 1 | Swivel |
| 5 | 119-8925 | 1 | Washer-Belleville | 10 | 145-5723 | 1 | Link-Control |
| 6 | 117-1198 | 1 | Bolt-Pivot | 11 | 126-8195 | 1 | Spring-Return, Neutral |
| 7 | 145-5798 | 1 | ASM-Control Arm | 12 | 104-8300 | 2 | Nut-HF, NI |

Front Caster Wheel Assembly

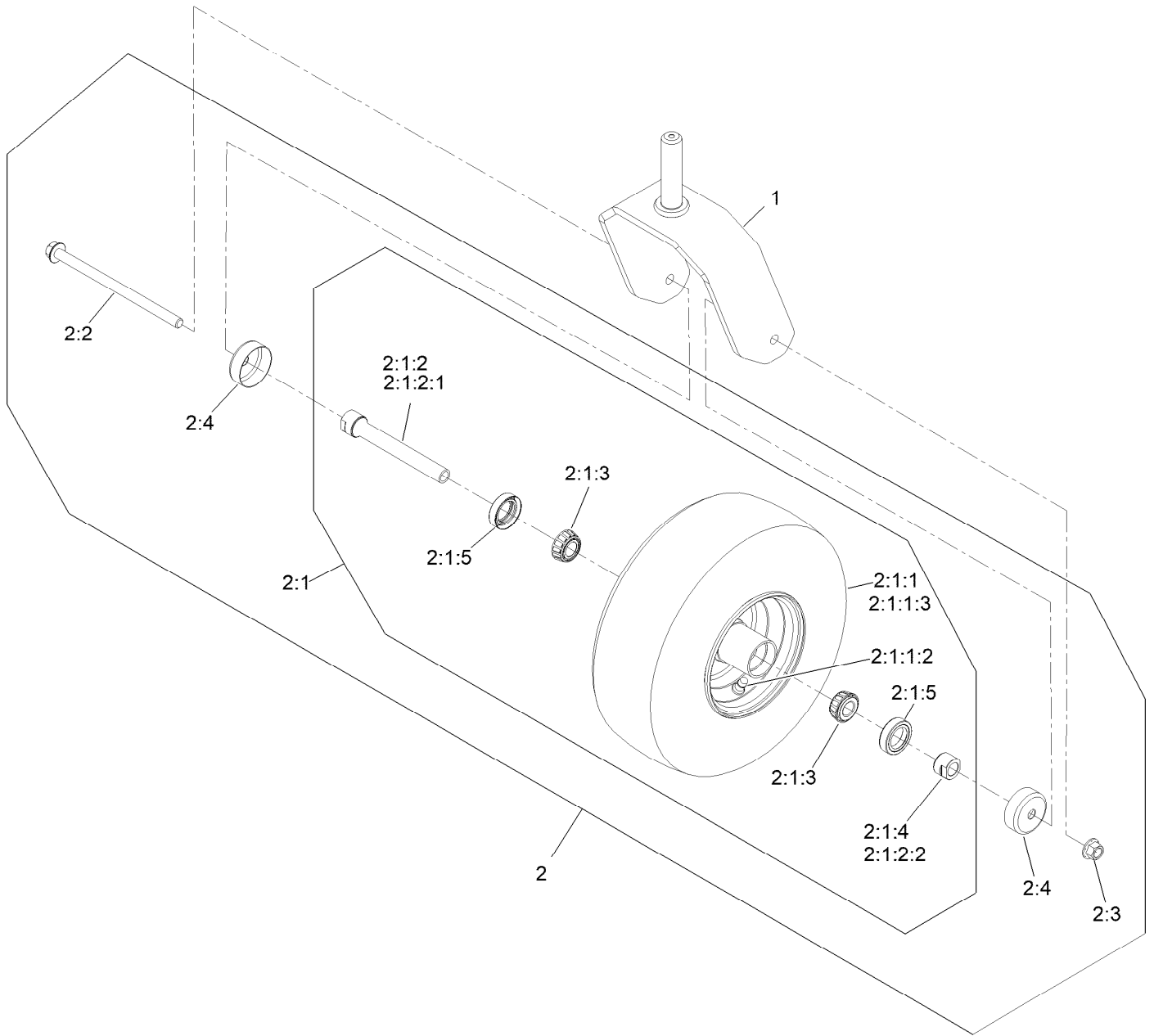


Front Caster Wheel Assembly (continued)

| <i>Ref.</i> | <i>Part Number</i> | <i>Qty.</i> | <i>Description</i> | <i>Ref.</i> | <i>Part Number</i> | <i>Qty.</i> | <i>Description</i> |
|-------------|--------------------|-------------|--------------------------------|-------------|--------------------|-------------|--------------------|
| 1 | | 2 | ASM, Front Caster W/ Fork ● | 4 | 100-1668 | 2 | Screw-HHF |
| 2 | 109-3678 | 4 | Bearing-Ball | 5 | 144-0375 | 2 | Cap-Grease |
| 3 | 3256-68 | 2 | Washer-Flat | 6 | 145-3660 | 2 | Spacer-Bearing |

● Not serviced separately

Fork and Caster Assembly

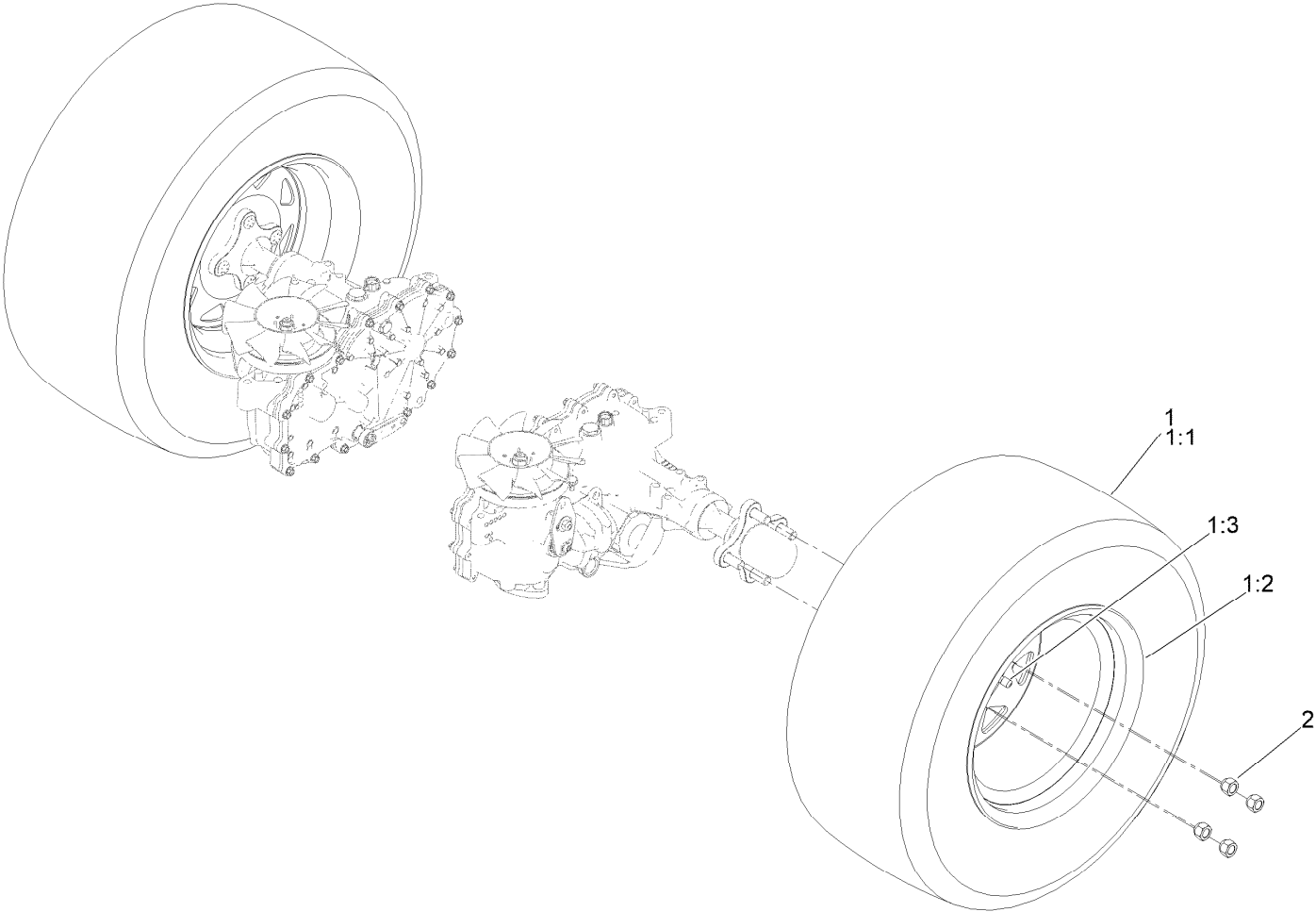


Fork and Caster Assembly (continued)

| <i>Ref.</i> | <i>Part Number</i> | <i>Qty.</i> | <i>Description</i> | <i>Ref.</i> | <i>Part Number</i> | <i>Qty.</i> | <i>Description</i> |
|-------------|--------------------|-------------|----------------------------------|-------------|--------------------|-------------|---------------------|
| 1 | 142-7827-01 | 1 | Fork-Caster | 2:1:2:1 | 126-5220 | 1 | Axle-Caster |
| 2 | 139-3639 | 1 | ASM-Pneumatic 13X6.50-6 | 2:1:2:2 | 103-3051 | 1 | Spacer-Nut |
| 2:1 | | 1 | Wheel And Bearings ASM ● | 2:1:3 | 1-633585 | 2 | Bearing-Cone, Taper |
| 2:1:1 | | 1 | Wheel And Tire ASM 13X6.5-6 ● | 2:1:4 | 103-3051 | 1 | Spacer-Nut |
| 2:1:1:2 | 5108 | 1 | Valve | 2:1:5 | 103-0063 | 2 | Seal-Caster |
| 2:1:1:3 | 126-5959 | 1 | Tire | 2:2 | 126-5389 | 1 | Screw-HHF |
| 2:1:2 | 126-7796 | 1 | Caster Axle ASM | 2:3 | 99-5107 | 1 | Nut-HF Nylock |
| | | | | 2:4 | 103-2768 | 2 | Guard-Seal |

● Not serviced separately

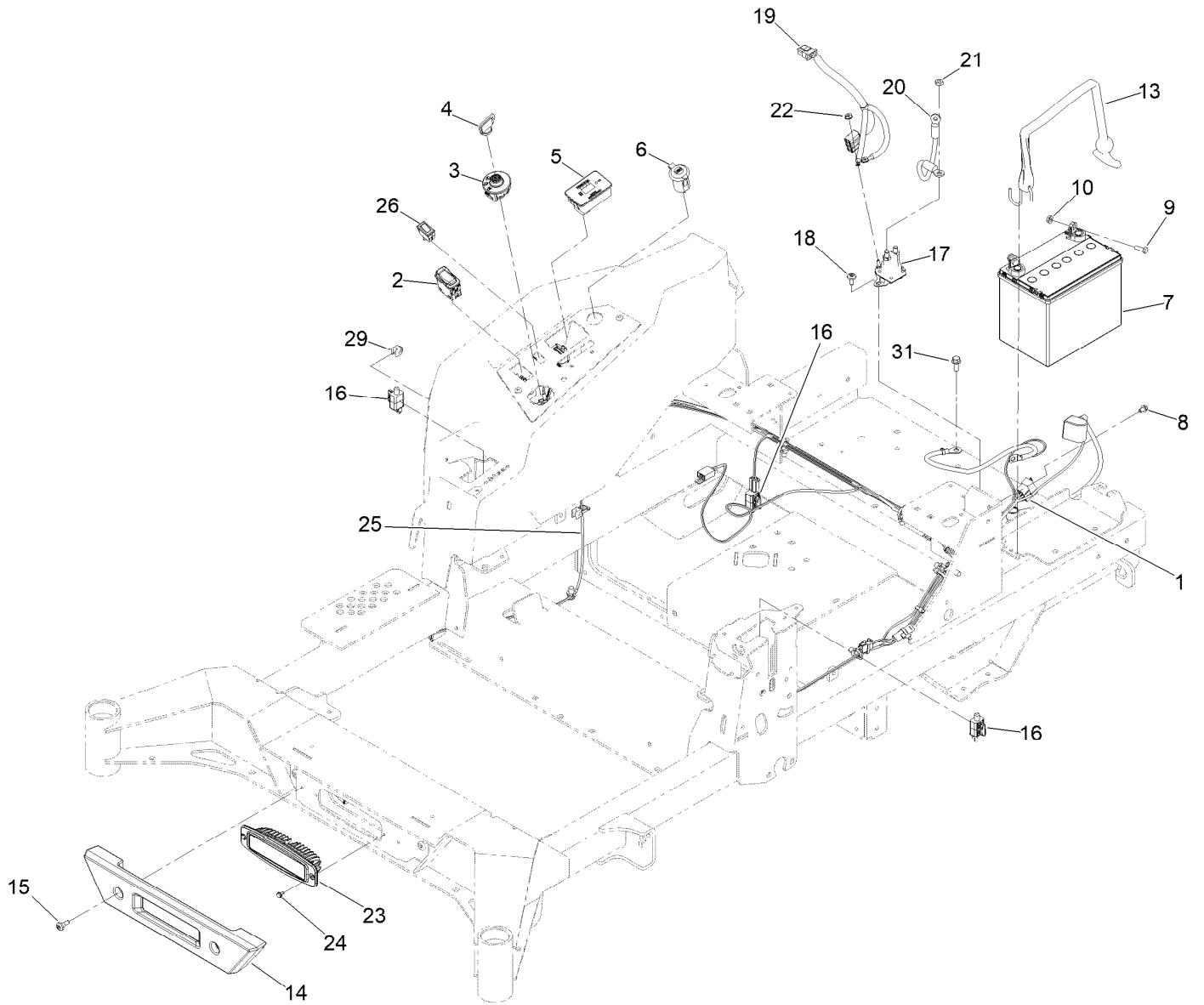
Rear Drive Wheel Assembly



Rear Drive Wheel Assembly (continued)

| <i>Ref.</i> | <i>Part Number</i> | <i>Qty.</i> | <i>Description</i> | <i>Ref.</i> | <i>Part Number</i> | <i>Qty.</i> | <i>Description</i> |
|-------------|--------------------|-------------|-----------------------------|-------------|--------------------|-------------|--------------------|
| 1 | 147-5031 | 2 | ASM-Voodoo Trac 24X12-12 | 1:2 | 144-6606 | 1 | Wheel |
| 1:1 | 147-5034 | 1 | Tire-Voodoo 24X12-12 | 1:3 | 232-27 | 1 | Stem-Valve |
| | | | | 2 | 242-50 | 8 | Nut-Lug |

Electrical Assembly



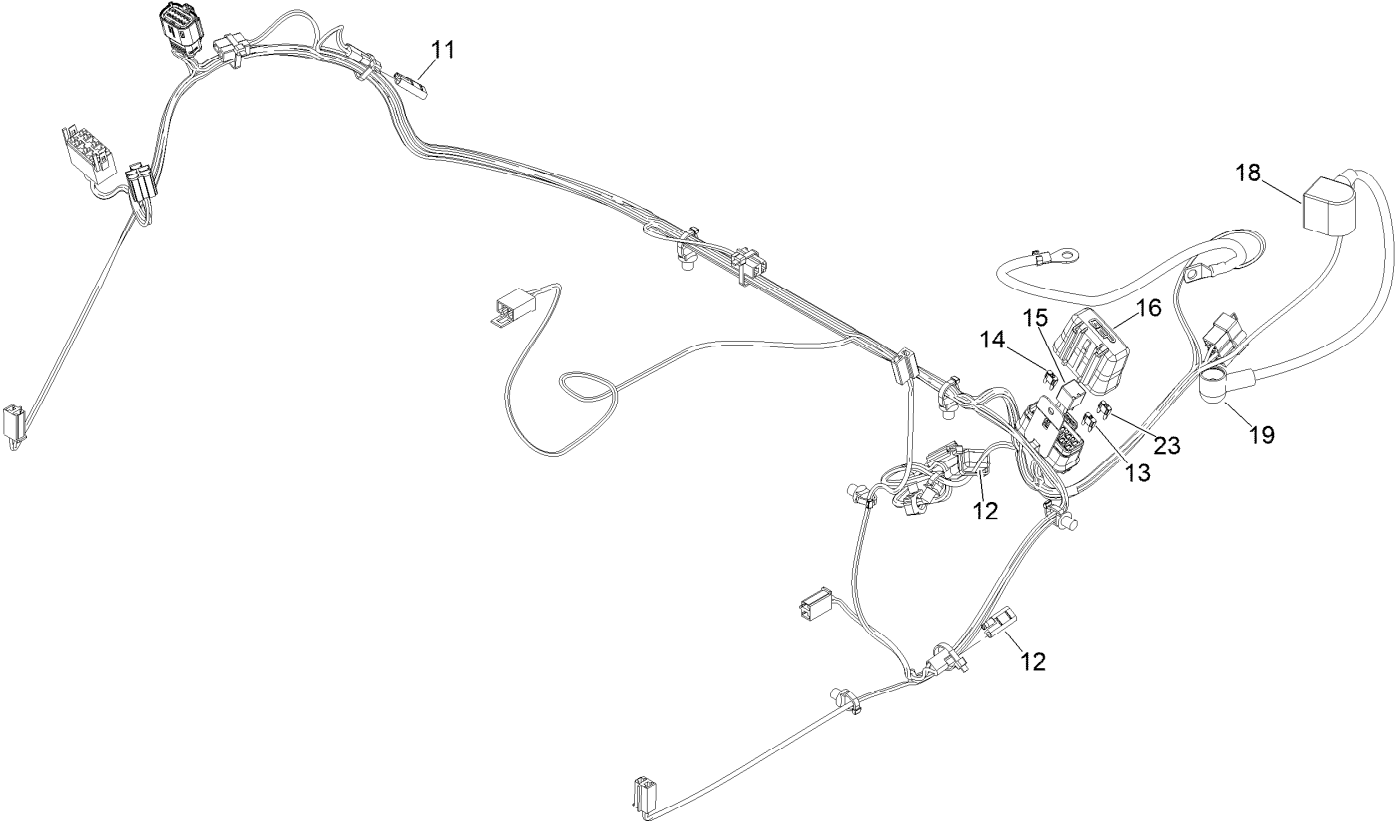
Electrical Assembly (continued)

| <i>Ref.</i> | <i>Part Number</i> | <i>Qty.</i> | <i>Description</i> | <i>Ref.</i> | <i>Part Number</i> | <i>Qty.</i> | <i>Description</i> |
|-------------|--------------------|-------------|------------------------------|-------------|--------------------|-------------|-----------------------------------|
| 1 | 147-2363 | 1 | Harness-Wire, Zmaster | 17 | 117-1197 | 1 | Solenoid |
| 2 | 139-6368 | 1 | Switch-Rocker, On-None-On | 18 | 126-6266 | 2 | Screw-Tph |
| 3 | 137-4100 | 1 | Switch-Ignition | 19 | 126-5036 | 1 | Adapter-Harness, Wire |
| 4 | 63-8360 | 1 | Key-Ignition | 20 | 100-3540 | 1 | Cable-Battery, Positive |
| 5 | 116-5609 | 1 | Module ASM | 21 | 3220-2 | 1 | Nut-Hex Jam |
| 6 | 140-7955 | 1 | Port-Power, USB | 22 | 32149-8 | 2 | Nut-Keps |
| 7 | 104-8162 | 1 | Battery | 23 | 139-8089 | 1 | Light - Flush Mount |
| 8 | 99-8445 | 1 | Screw-HWH | 24 | 104-2065 | 2 | Screw-HWH |
| 9 | 321-4 | 2 | Screw-HH | 25 | 140-1213 | 1 | Harness-Wire, Light Kit |
| 10 | 32128-33 | 2 | Nut-HF | 26 | 92-8875 | 1 | Switch-Rocker |
| 13 | 142-8697 | 1 | Strap, Bungee | 29 | 32180-082 | 1 | Clip-Edge W/Tie, Perpendicular |
| 14 | 140-4993 | 1 | Bumper-Front | 31 | 3234-14 | 1 | Screw-HHF |
| 15 | 135-2015 | 2 | Screw-Shoulder | 99 | 1-603511 | 1 | Keys-Ignition (Spare Pair) ● ■ |
| 16 | 110-6765 | 3 | Switch | | | | |

● Not illustrated

■ Optional Equipment

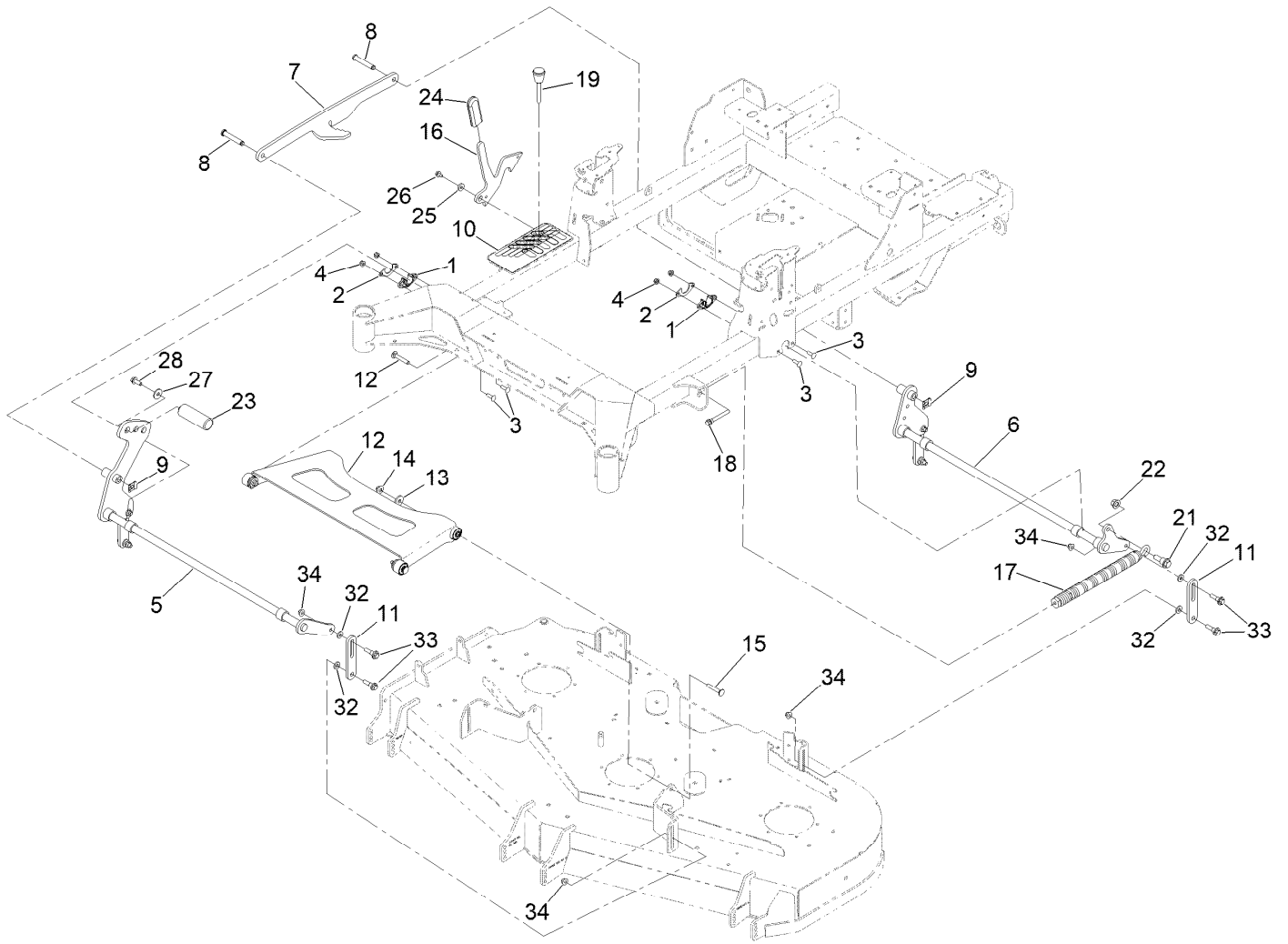
Wire Harness Assembly No. 147-2363



Wire Harness Assembly No. 147-2363 (continued)

| <i>Ref.</i> | <i>Part Number</i> | <i>Qty.</i> | <i>Description</i> | <i>Ref.</i> | <i>Part Number</i> | <i>Qty.</i> | <i>Description</i> |
|-------------|--------------------|-------------|-------------------------|-------------|--------------------|-------------|-------------------------|
| 11 | 116-0053 | 3 | Cap-Plug | 16 | 32180-176 | 1 | Cover-Block, Fuse |
| 12 | 103-3895 | 1 | Diode | 18 | 126-8876 | 1 | Insulator-Battery |
| 13 | 121-8867 | 1 | Fuse-Mini Blade, 15 Amp | 19 | 1-543393 | 1 | Insulator-Solenoid |
| 14 | 121-8868 | 1 | Fuse-Mini Blade, 20 Amp | 23 | 121-8869 | 1 | Fuse-Mini Blade, 25 Amp |
| 15 | 126-3991 | 1 | Relay-Micro | | | | |

Deck Lift Assembly



Deck Lift Assembly (continued)

| <i>Ref.</i> | <i>Part Number</i> | <i>Qty.</i> | <i>Description</i> | <i>Ref.</i> | <i>Part Number</i> | <i>Qty.</i> | <i>Description</i> |
|-------------|--------------------|-------------|-------------------------------|-------------|--------------------|-------------|----------------------|
| 1 | 139-5872 | 4 | Bearing-Flange | 16 | 145-8475-03 | 1 | Plate-Transport Lock |
| 2 | 116-2887 | 4 | Gusset-Lift, Deck | 17 | 116-0886 | 1 | Spring-Extension |
| 3 | 3230-22 | 8 | Screw-CARR | 18 | 92-7674 | 1 | Bolt-Shoulder |
| 4 | 104-8300 | 8 | Nut-HF, NI | 19 | 126-5401 | 1 | Pin-HOC |
| 5 | 139-8050-03 | 1 | Front Deck Lift Shaft ASM | 21 | 116-0780 | 1 | Screw-Shoulder, HHF |
| 6 | 140-4975-03 | 1 | Shaft-Lift, Deck | 22 | 99-5107 | 1 | Nut-HF Nylock |
| 7 | 126-4639-03 | 1 | Link-HOC | 23 | 140-4959 | 1 | Pedal-Foot Lift |
| 8 | 126-9181 | 2 | Pin-Clevis | 24 | 132-4749 | 1 | Grip-Lever |
| 9 | 138-8491 | 2 | Clip-Pin | 25 | 104-7658 | 1 | Spacer |
| 10 | 147-2360 | 1 | Decal-HOC | 26 | 9266934 | 1 | Screw |
| 11 | 145-5702-03 | 4 | Link-Lift, Deck | 27 | 2844 | 1 | Washer |
| 12 | 140-1179 | 1 | Deck Strut W/ Bushings ASM | 28 | 3234-42 | 1 | Screw-HHF |
| 13 | 1-373034 | 2 | Washer | 32 | 43-0940 | 8 | Spacer |
| 14 | 109-6658 | 2 | Nut-Flange, NI | 33 | 130-0742 | 8 | Bolt-Shoulder |
| 15 | 3231-7 | 2 | Screw-CARR | 34 | 104-8301 | 8 | Nut-HF, NI |

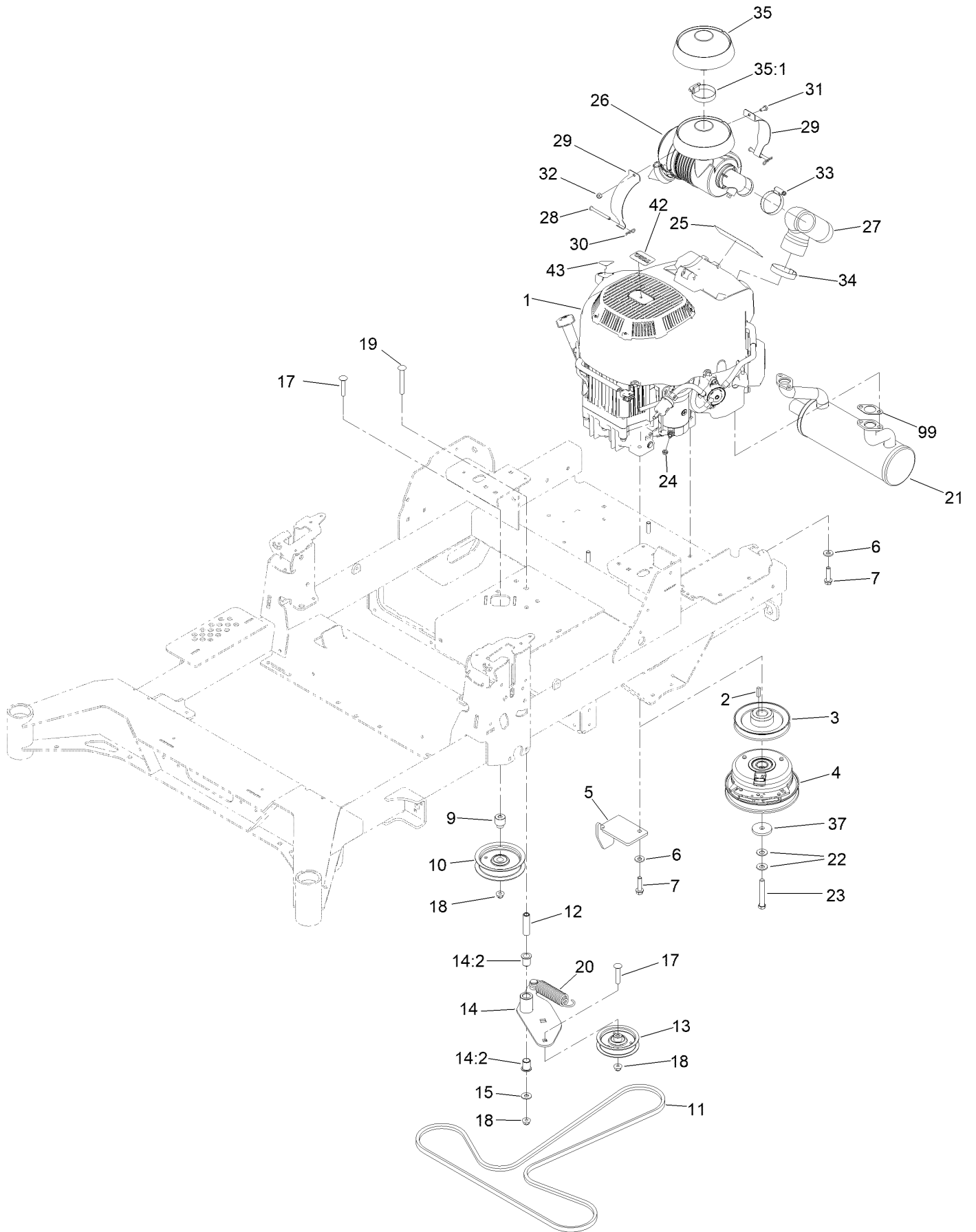
Deck Strut Assembly No. 140-1179



Deck Strut Assembly No. 140-1179 (continued)

| <i>Ref.</i> | <i>Part Number</i> | <i>Qty.</i> | <i>Description</i> | <i>Ref.</i> | <i>Part Number</i> | <i>Qty.</i> | <i>Description</i> |
|-------------|--------------------|-------------|-------------------------------|-------------|--------------------|-------------|--------------------|
| 2 | 126-8360 | 4 | Bushing-Rubber, Suspension | 4 | 3231-7 | 2 | Screw-CARR |
| 3 | 108-6544 | 4 | Spacer | 5 | 2844 | 2 | Washer |
| | | | | 6 | 104-8301 | 2 | Nut-HF, NI |

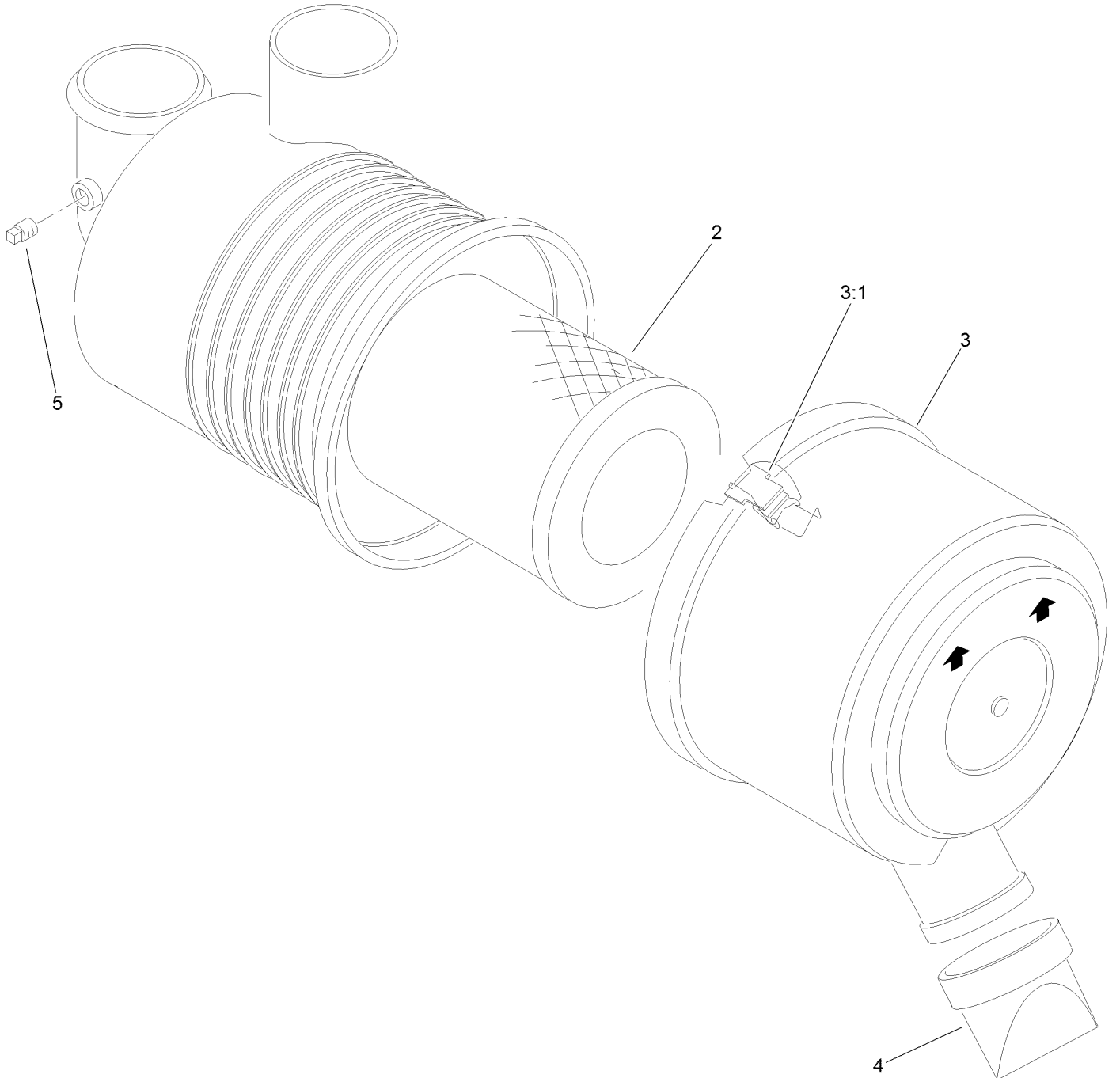
Engine, Clutch and Muffler Assembly



Engine, Clutch and Muffler Assembly (continued)

| <i>Ref.</i> | <i>Part Number</i> | <i>Qty.</i> | <i>Description</i> | <i>Ref.</i> | <i>Part Number</i> | <i>Qty.</i> | <i>Description</i> |
|-------------|--------------------|-------------|--------------------------------|-------------|--------------------|-------------|---------------------|
| 1 | 136-7823 | 1 | Engine-2P77F-HD | 21 | 126-5864 | 1 | Muffler |
| 2 | 1-807259 | 1 | Key | 22 | 1-603610 | 2 | Washer-Spring |
| 3 | 138-6007 | 1 | Sheave-Engine | 23 | 126-7198 | 1 | Screw-HH W/Loctite |
| 4 | 147-2400 | 1 | Clutch 6.75, 105 Ftlb, 1.00 Dd | 24 | 33003-00 | 1 | Nut-HF |
| 5 | 140-1190 | 1 | Anchor-Clutch | 25 | 140-2715 | 1 | Decal |
| 6 | 98-5975 | 4 | Washer-Belleville | 26 | 93-2190 | 1 | Air Cleaner ASM |
| 7 | 32144-102 | 4 | Screw-HWH | 27 | 136-9242 | 1 | Hose-Intake |
| 9 | 126-7684 | 1 | Bushing-Idler | 28 | 137-2011 | 2 | Pin-Clevis |
| 10 | 132-4718 | 1 | Pulley-Idler, Flat | 29 | 136-9243 | 2 | Strap-Canister, Air |
| 11 | 145-5727 | 1 | Belt-V | 30 | 1-806003 | 2 | Pin-Cotter |
| 12 | 139-6690 | 1 | Bushing, Idler Pivot | 31 | 137-3041 | 1 | Screw-HH |
| 13 | 140-4964 | 1 | Pulley-Idler, Flat | 32 | 137-3088 | 1 | Nut-Hex |
| 14 | 145-5731 | 1 | Idler Arm ASM | 33 | 1-643009 | 1 | Clamp-Hose |
| 14:2 | 138-2573 | 1 | Bushing-Flange | 34 | 2412-130 | 1 | Clamp-Hose |
| 15 | 3256-4 | 1 | Washer-Flat | 35 | 136-7859 | 1 | Rain Cap Kit |
| 17 | 117-9971 | 2 | Bolt-Carriage | 35:1 | 1-643009 | 1 | Clamp-Hose |
| 18 | 104-8301 | 3 | Nut-HF, NI | 37 | 109-6919 | 1 | Washer-Plain |
| 19 | 3231-42 | 1 | Screw-CARR | 42 | 110-1136 | 1 | Decal |
| 20 | 138-7264 | 1 | Spring-Extension | 43 | 131-1097 | 1 | Decal-Drain, Oil |
| | | | | 99 | 120-4317 | 2 | Gasket-Exhaust |

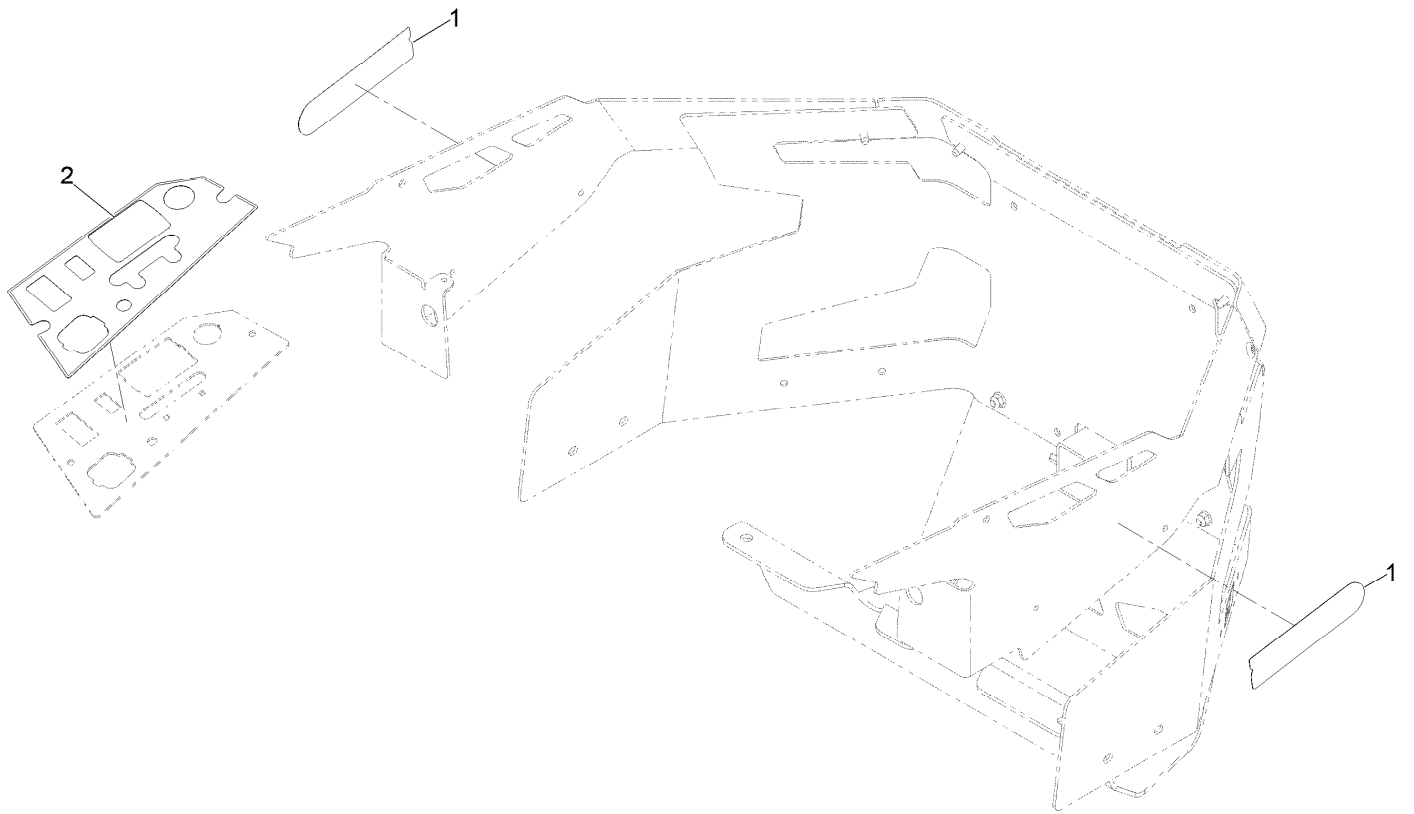
Air Cleaner Assembly No. 93-2190



Air Cleaner Assembly No. 93-2190 (continued)

| <i>Ref.</i> | <i>Part Number</i> | <i>Qty.</i> | <i>Description</i> | <i>Ref.</i> | <i>Part Number</i> | <i>Qty.</i> | <i>Description</i> |
|-------------|--------------------|-------------|----------------------|-------------|--------------------|-------------|--------------------|
| 2 | 108-3811 | 1 | Filter-Air V-Twin HD | 4 | 87-9400 | 1 | Valve-Vacuator |
| 3 | 94-3652 | 1 | Cover ASM | 5 | 285-17 | 1 | Plug-Pipe |
| 3:1 | 1-643283 | 2 | Latch-Cleaner, Air | | | | |

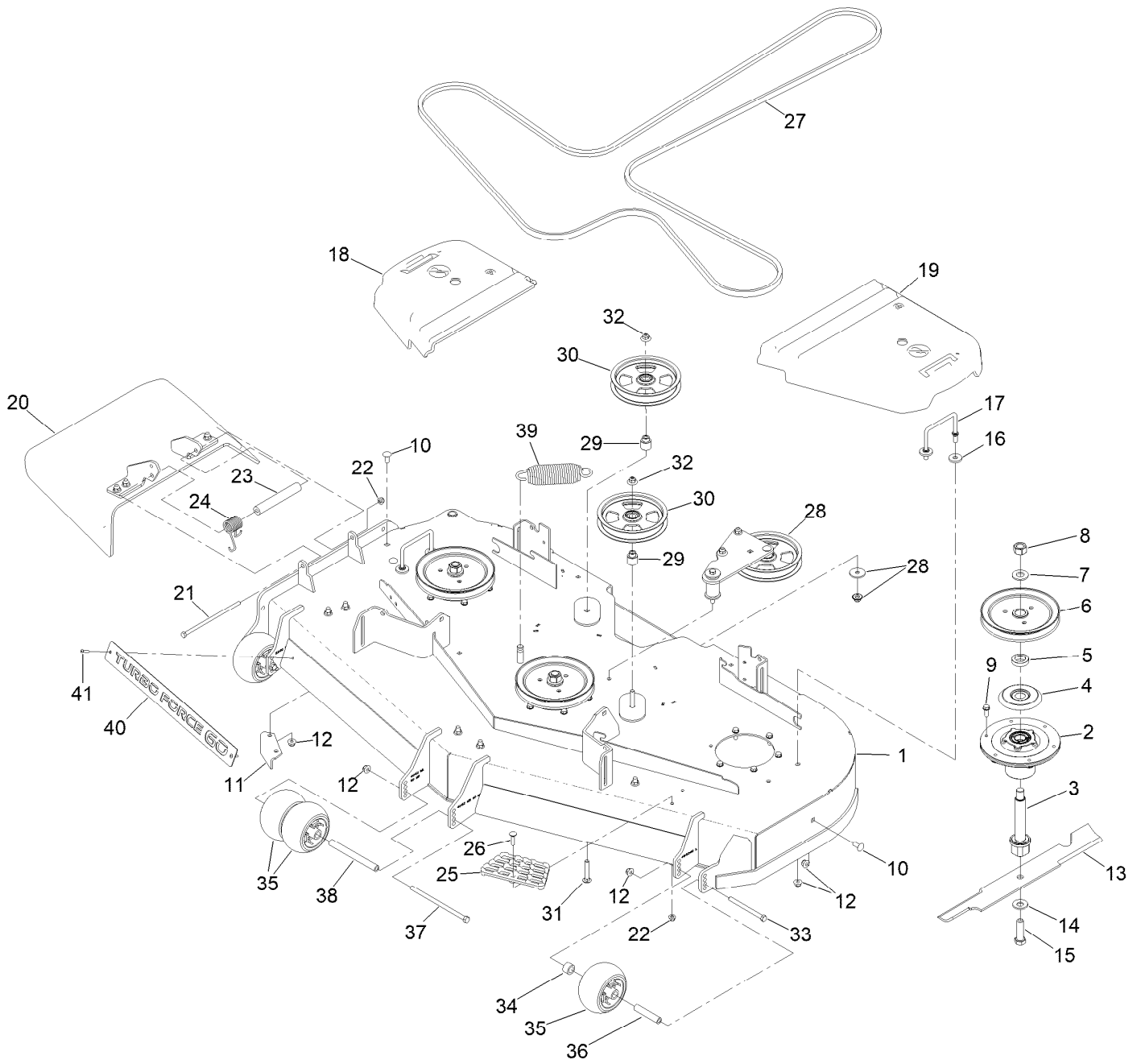
Decal Assembly



Decal Assembly (continued)

| <i>Ref.</i> | <i>Part Number</i> | <i>Qty.</i> | <i>Description</i> |
|-------------|--------------------|-------------|----------------------|
| 1 | 145-8407 | 2 | Decal-2000 Series |
| 2 | 147-4953 | 1 | Decal-Panel, Control |

Deck Assembly



Deck Assembly (continued)

| <i>Ref.</i> | <i>Part Number</i> | <i>Qty.</i> | <i>Description</i> | <i>Ref.</i> | <i>Part Number</i> | <i>Qty.</i> | <i>Description</i> |
|-------------|--------------------|-------------|--------------------------------|-------------|--------------------|-------------|--------------------|
| 1 | 147-7373 | 1 | Deck Decal ASM | 21 | 322-50 | 1 | Screw-HH |
| 2 | 139-2357 | 3 | Spindle ASM | 22 | 104-8300 | 2 | Nut-HF, NI |
| 3 | 133-2126 | 3 | Shaft-Spindle | 23 | 105-4622 | 1 | Spacer |
| 4 | 117-7210 | 3 | Shield-Bearing | 24 | 108-4052 | 1 | Spring-Torsion |
| 5 | 147-2381 | 3 | Spacer-Pulley | 25 | 126-4781-03 | 1 | Step-Deck |
| 6 | 138-6059 | 3 | Sheave-Drive, Blade | 26 | 3230-3 | 1 | Screw-CARR |
| 7 | 103-2802 | 3 | Washer | 27 | 144-0357 | 1 | Belt-V |
| 8 | 116-7306 | 3 | Nut-Hex | 28 | 139-1087 | 1 | Idler Arm ASM |
| 9 | 32144-41 | 18 | Screw-Taptite | 29 | 139-8061 | 2 | Bushing, Idler |
| 10 | 3231-27 | 9 | Screw-CARR | 30 | 132-9424 | 2 | Pulley-Idler, Flat |
| 11 | 107-8541-01 | 1 | Baffle-Discharge | 31 | 3231-7 | 2 | Screw-CARR |
| 12 | 104-8301 | 16 | Nut-HF, NI | 32 | 109-6658 | 2 | Nut-Flange, NI |
| 13 | 133-2127 | 3 | Blade-Rotary, 20.5In (Hi Flow) | 33 | 323-23 | 2 | Screw-HH |
| 14 | 125-1736 | 3 | Washer-Belleville | 34 | 133-2128 | 2 | Tube-Spacer |
| 15 | 51-4060 | 3 | Screw-Blade | 35 | 1-603299 | 4 | Roller-Scalp, Anti |
| 16 | 1-373034 | 4 | Washer | 36 | 133-2129 | 2 | Tube-Shafting |
| 17 | 109-6982 | 2 | Wireform-Cover | 37 | 108-5388 | 1 | Screw-HH |
| 18 | 116-0094 | 1 | Cover-Belt, RH | 38 | 98-5967 | 1 | Spacer-Wheel |
| 19 | 109-6938 | 1 | Cover-Belt, LH | 39 | 116-6317 | 1 | Spring-Extension |
| 20 | 144-2635 | 1 | Rubber Deflector ASM | 40 | 147-4631-03 | 1 | Plate-Turbo Force |
| | | | | 41 | 130-8451 | 2 | Rivet-Trifold |

Deck Decal Assembly No. 147-7373



Deck Decal Assembly No. 147-7373 (continued)

| <i>Ref.</i> | <i>Part Number</i> | <i>Qty.</i> | <i>Description</i> | <i>Ref.</i> | <i>Part Number</i> | <i>Qty.</i> | <i>Description</i> |
|-------------|--------------------|-------------|---------------------|-------------|--------------------|-------------|--------------------------|
| 1 | | 1 | ASM-Deck W/Decals ● | 1:4 | 93-7818 | 1 | Decal-Torque, Blade Bolt |
| 1:2 | 117-3848 | 2 | Decal-Danger | 1:5 | 109-6035 | 1 | Decal-Routing, Belt |
| 1:3 | 127-0326 | 1 | Decal-Scalp, Anti | | | | |

● Not serviced separately

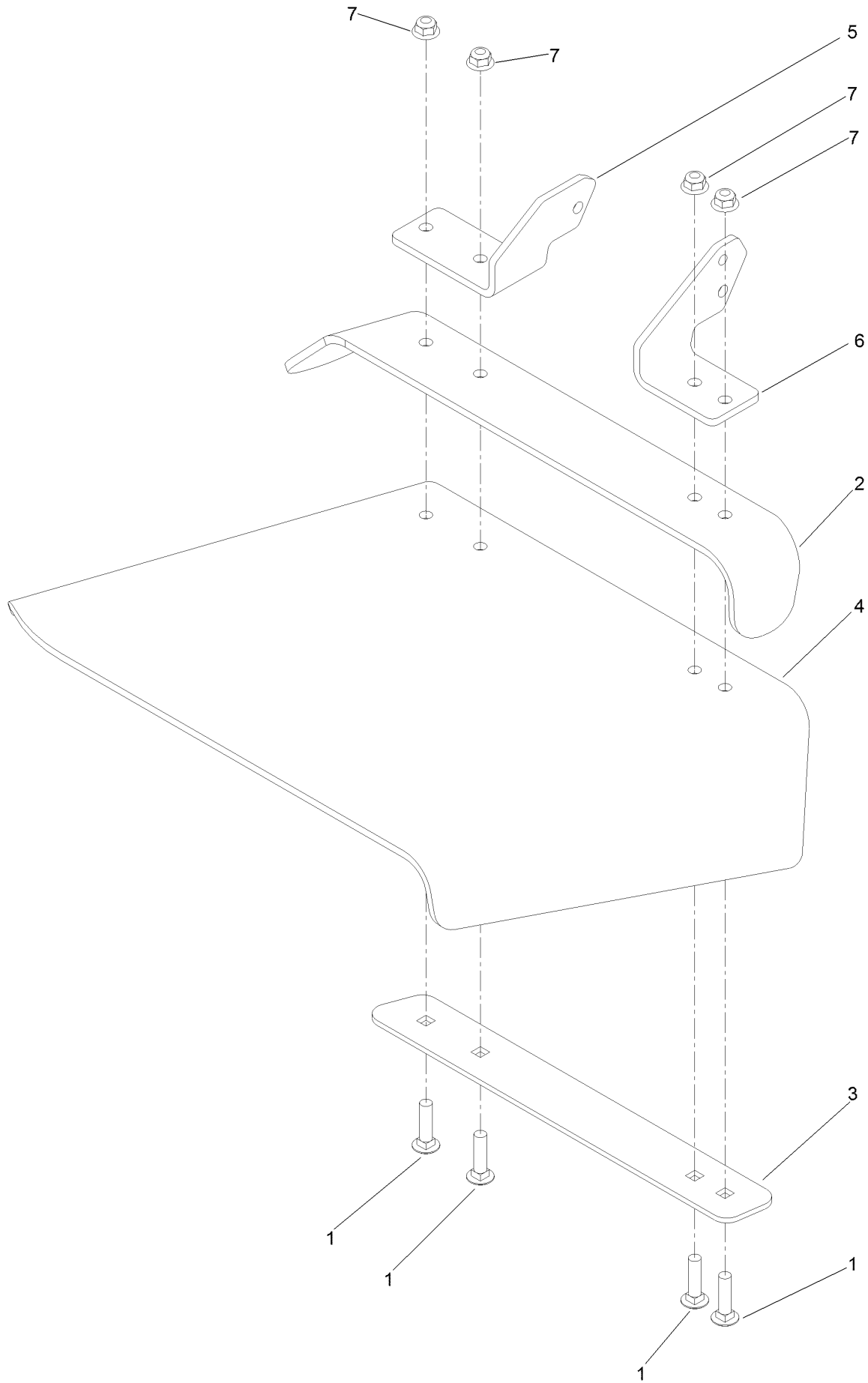
Spindle Assembly No. 139-2357



Spindle Assembly No. 139-2357 (continued)

| <i>Ref.</i> | <i>Part Number</i> | <i>Qty.</i> | <i>Description</i> |
|-------------|--------------------|-------------|--------------------|
| 2 | 116-0720 | 2 | Bearing-Ball |
| 3 | 138-7220 | 1 | Spacer-Bearing |

Deflector Assembly No. 144-2635



Deflector Assembly No. 144-2635 (continued)

| <i>Ref.</i> | <i>Part Number</i> | <i>Qty.</i> | <i>Description</i> | <i>Ref.</i> | <i>Part Number</i> | <i>Qty.</i> | <i>Description</i> |
|-------------|--------------------|-------------|------------------------|-------------|--------------------|-------------|--------------------|
| 1 | 3231-4 | 4 | Screw-CARR | 5 | 108-4059-01 | 1 | Plate-Hinge, Rear |
| 2 | 106-3246-01 | 1 | Deflector | 6 | 106-3253-01 | 1 | Plate-Hinge, Front |
| 3 | 106-3248-03 | 1 | Strap-Discharge | 7 | 104-8301 | 4 | Nut-HF, NI |
| 4 | 139-8114 | 1 | Deflector-Deck, Rubber | | | | |

Idler Arm Assembly No. 139-1087



Idler Arm Assembly No. 139-1087 (continued)

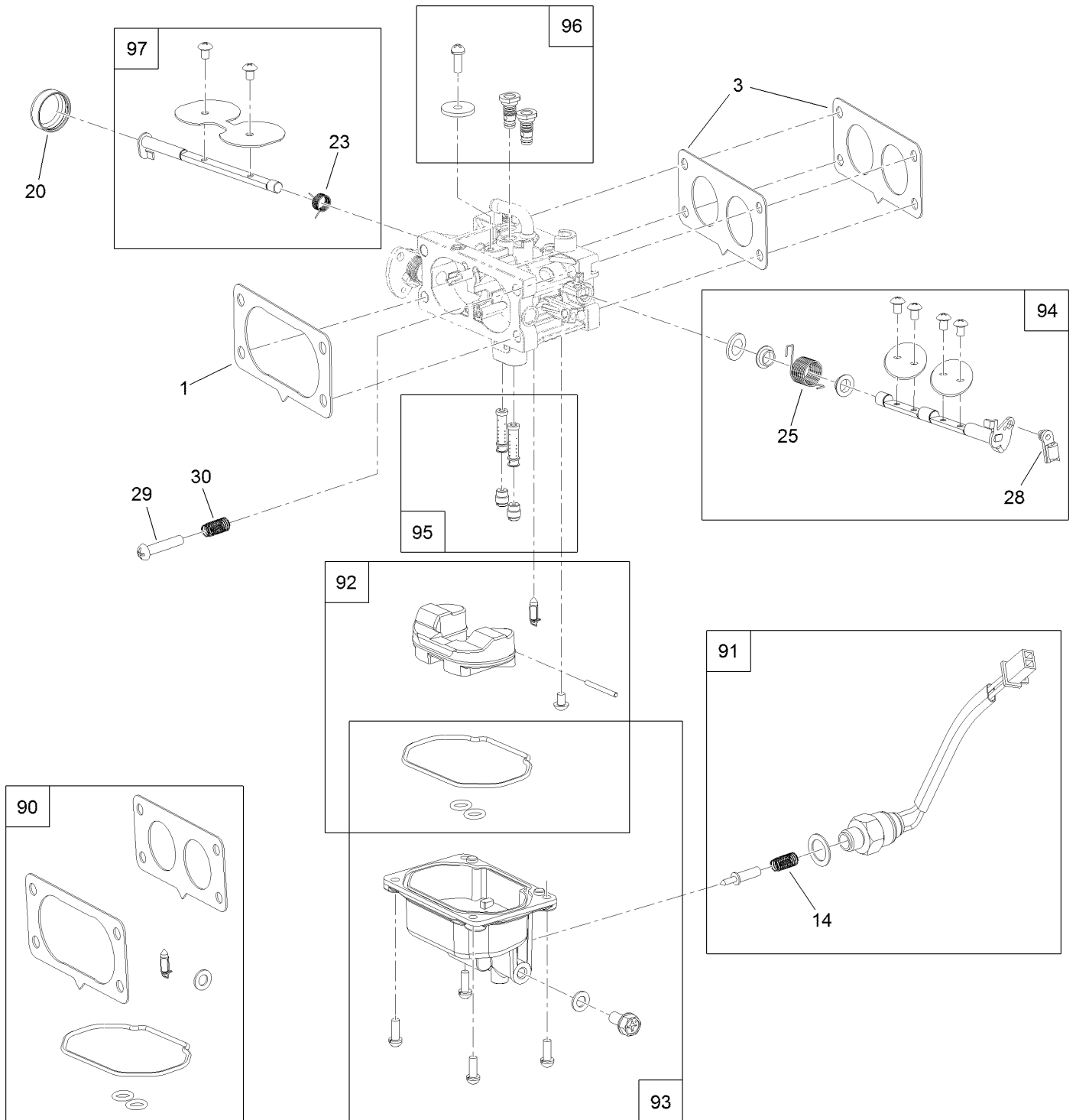
| <i>Ref.</i> | <i>Part Number</i> | <i>Qty.</i> | <i>Description</i> | <i>Ref.</i> | <i>Part Number</i> | <i>Qty.</i> | <i>Description</i> |
|-------------|--------------------|-------------|----------------------|-------------|--------------------|-------------|----------------------|
| 1 | 139-1086 | 1 | Idler Arm ASM | 7 | 109-6658 | 3 | Nut-Flange, NI |
| 2 | 138-2573 | 2 | Bushing-Flange | 8 | 323-15 | 1 | Screw-HH |
| 3 | 139-8060 | 1 | Bushing, Idler | 9 | 3231-5 | 1 | Screw-CARR |
| 4 | 132-9424 | 1 | Pulley-Idler, Flat | 10 | 132-4729 | 1 | Anchor-Spring, Short |
| 5 | 139-6690 | 1 | Bushing, Idler Pivot | 11 | 136-9028 | 1 | Bolt-Shoulder, HWH |
| 6 | 1-213069 | 3 | Washer | 12 | 104-8301 | 1 | Nut-HF, NI |

Fuel System Assembly (continued)

| <i>Ref.</i> | <i>Part Number</i> | <i>Qty.</i> | <i>Description</i> | <i>Ref.</i> | <i>Part Number</i> | <i>Qty.</i> | <i>Description</i> |
|-------------|--------------------|-------------|--------------------|-------------|--------------------|-------------|-----------------------------------|
| 1 | 139-0717 | 1 | Filter-Fuel | 12 | 127-9246 | 2 | Gasket-Carburetor |
| 2 | 139-0719 | 6 | Clamp-Fuel Hose | 13 | 127-9247 | 1 | Insulator-Carburetor |
| 3 | 120-4371 | 1 | Hose-Fuel | 14 | 133-9963 | 1 | Linkage-Throttle |
| 4 | 139-0684 | 1 | Pump-Fuel | 15 | 133-9964 | 1 | Spring-Return, Throttle |
| 5 | 120-4225 | 2 | Screw-HHF | 16 | 127-9355 | 1 | Sleeve-Fuel Line Protector |
| 6 | 127-9205 | 1 | Hose-Fuel | 96 | 136-7842 | 1 | Carburetor Replacement Kit ASM |
| 7 | 127-9207 | 1 | Hose-Fuel | 97 | 127-9290 | 1 | Carburetor Repair Kit |
| 8 | 127-9230 | 2 | Gasket-Intake | 98 | 127-9292 | 1 | Solenoid Kit |
| 9 | 120-4284 | 4 | Screw-HHF | 99 | 136-7838 | 1 | High Altitude Kit ● |
| 10 | 127-9244 | 1 | Manifold-Intake | | | | |
| 11 | 127-9245 | 4 | Stud | | | | |

● Not illustrated

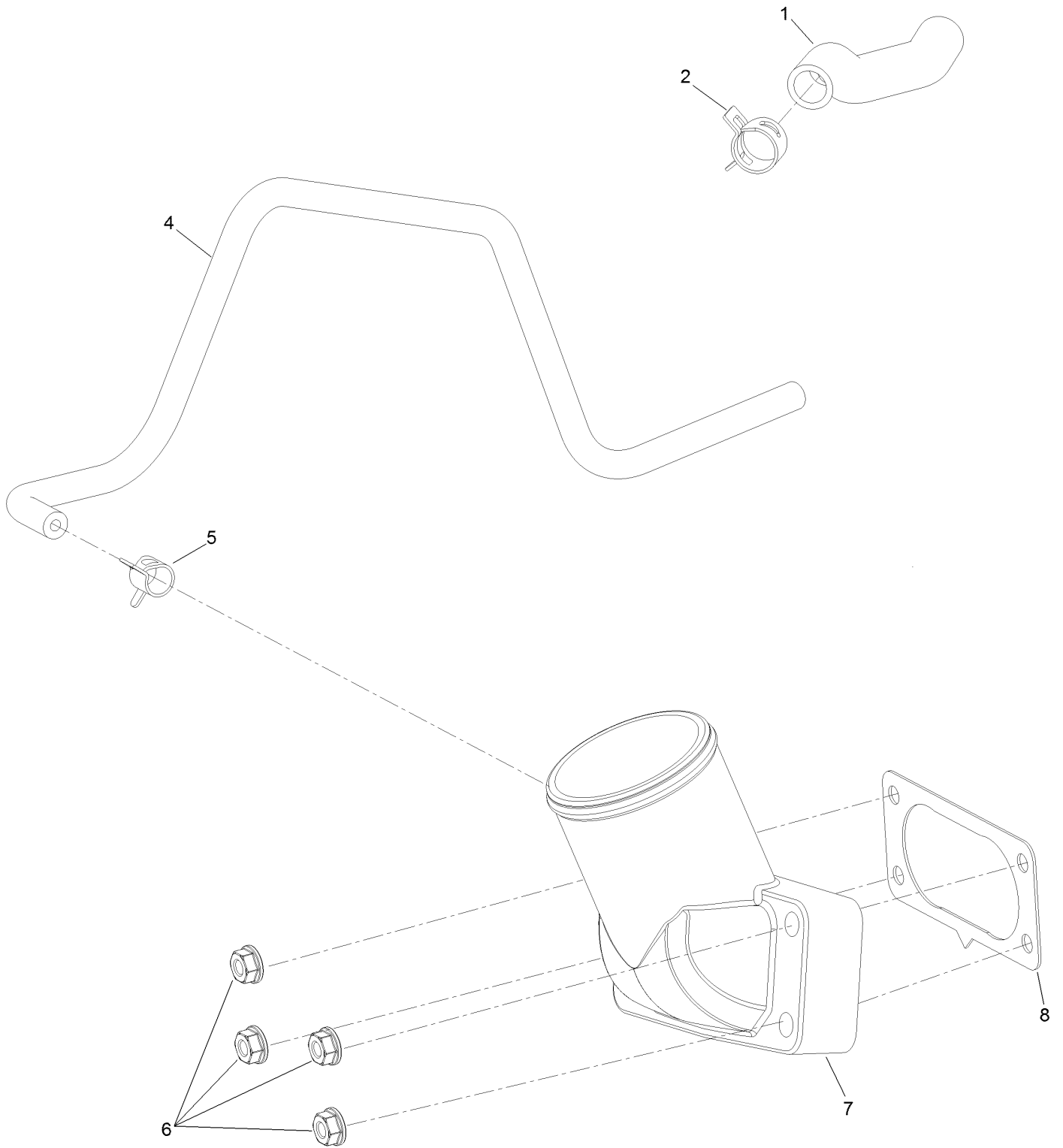
Carburetor Assembly



Carburetor Assembly (continued)

| <i>Ref.</i> | <i>Part Number</i> | <i>Qty.</i> | <i>Description</i> | <i>Ref.</i> | <i>Part Number</i> | <i>Qty.</i> | <i>Description</i> |
|-------------|--------------------|-------------|--------------------|-------------|--------------------|-------------|-----------------------|
| 1 | 127-9251 | 1 | Gasket-Carburetor | 90 | 127-9290 | 1 | Carburetor Repair Kit |
| 3 | 127-9246 | 2 | Gasket-Carburetor | 91 | 127-9292 | 1 | Solenoid Kit |
| 14 | 127-9319 | 1 | Spring | 92 | 127-9340 | 1 | Float Kit |
| 20 | 127-9325 | 1 | Cover-Shaft, Choke | 93 | 127-9341 | 1 | Bowl Kit |
| 23 | 127-9328 | 1 | Spring | 94 | 133-9817 | 1 | Throttle Shaft Kit |
| 25 | 127-9330 | 1 | Spring | 95 | 136-7846 | 1 | Nozzle And Jet Kit |
| 28 | 127-9333 | 1 | Clamp-Lock | 96 | 136-7899 | 1 | Idle Jet Kit |
| 29 | 127-9334 | 1 | Screw-PPH | 97 | 127-9345 | 1 | Choke Shaft Kit |
| 30 | 127-9335 | 1 | Spring | | | | |

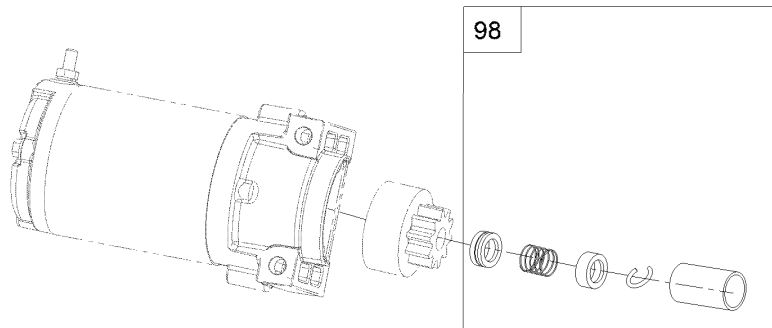
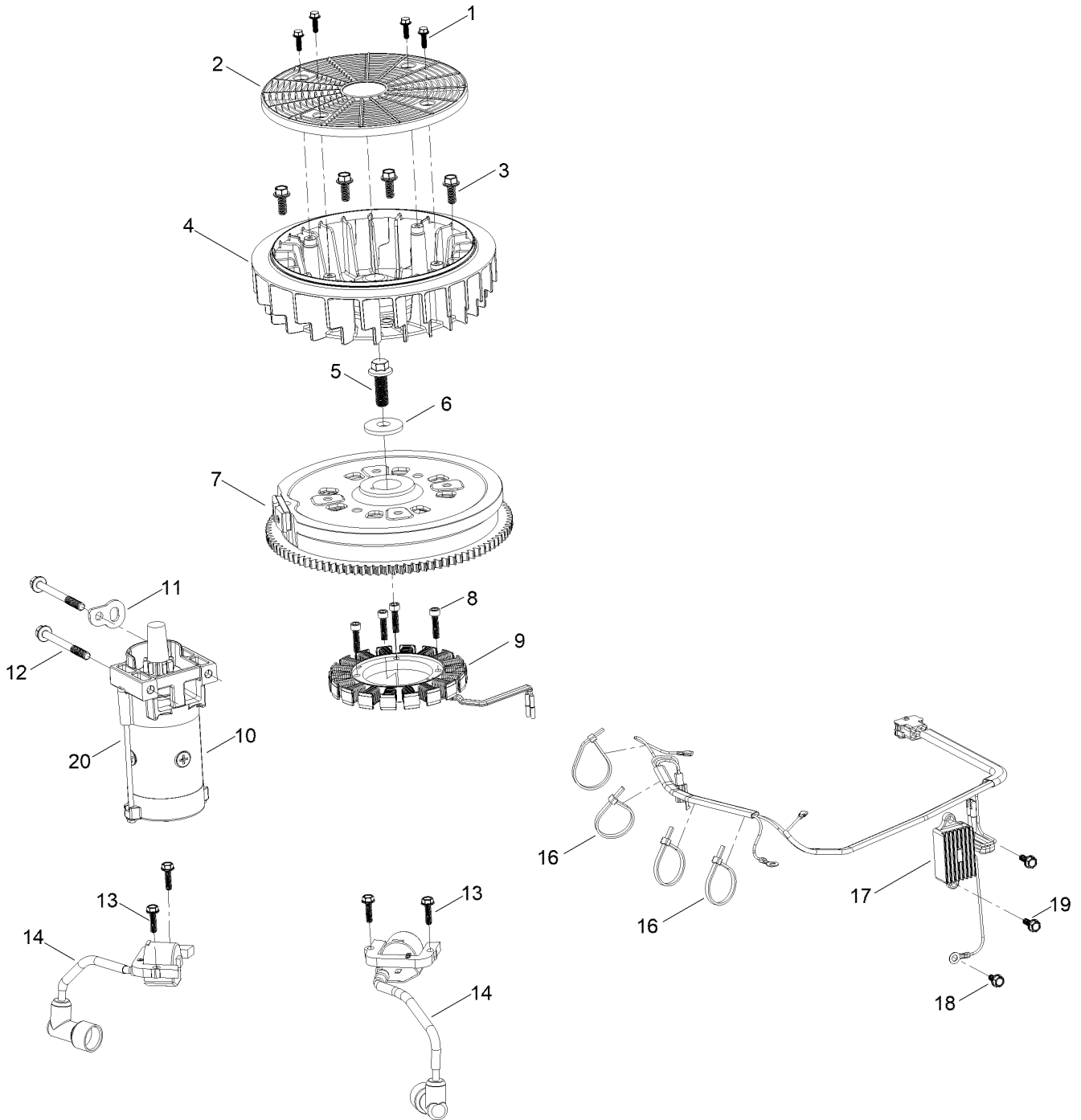
Air Intake and Filtration Assembly



Air Intake and Filtration Assembly (continued)

| <i>Ref.</i> | <i>Part Number</i> | <i>Qty.</i> | <i>Description</i> | <i>Ref.</i> | <i>Part Number</i> | <i>Qty.</i> | <i>Description</i> |
|-------------|--------------------|-------------|--------------------|-------------|--------------------|-------------|--------------------|
| 1 | 127-9235 | 1 | Tube-Breather | 6 | 120-4236 | 4 | Nut-Flange |
| 2 | 127-9234 | 2 | Clamp-Hose | 7 | 136-9241 | 1 | Manifold-Intake |
| 4 | 127-9253 | 1 | Hose-Fuel | 8 | 127-9251 | 1 | Gasket-Carburetor |
| 5 | 127-9187 | 1 | Clamp-Hose | | | | |

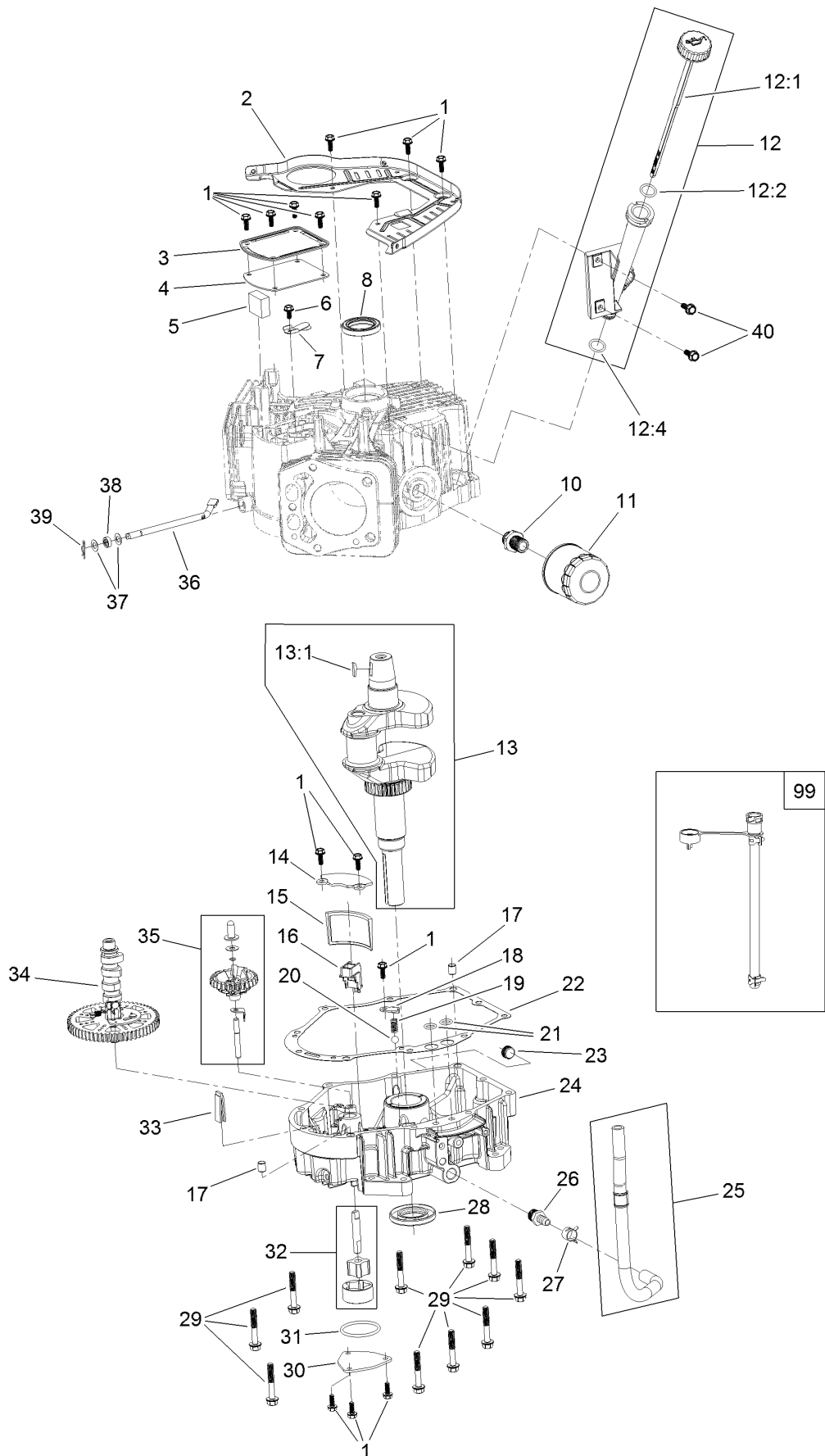
Ignition and Cooling Fan Assembly



Ignition and Cooling Fan Assembly (continued)

| <i>Ref.</i> | <i>Part Number</i> | <i>Qty.</i> | <i>Description</i> | <i>Ref.</i> | <i>Part Number</i> | <i>Qty.</i> | <i>Description</i> |
|-------------|--------------------|-------------|--------------------|-------------|--------------------|-------------|---------------------------------|
| 1 | 127-9197 | 4 | Screw-HWH | 12 | 120-4231 | 2 | Screw-HHF |
| 2 | 127-9198 | 1 | Screen-Rotating | 13 | 121-0007 | 4 | Bolt-Flange |
| 3 | 127-9199 | 4 | Screw-HWH | 14 | 139-0720 | 2 | Ignition Coil ASM |
| 4 | 127-9200 | 1 | Fan-Cooling | 16 | 127-9220 | 4 | Tie-Zip |
| 5 | 127-9201 | 1 | Screw-HWH | 17 | 136-7879 | 1 | Regulator-Voltage, W/Harness |
| 6 | 127-9202 | 1 | Washer-Spring | 18 | 120-4216 | 1 | Screw-HHF |
| 7 | 127-9306 | 1 | Flywheel | 19 | 120-4232 | 2 | Screw-HHF |
| 8 | 127-9210 | 4 | Screw-HSH | 20 | 133-1562 | 1 | Pinion-Starter |
| 9 | 136-7876 | 1 | Alternator | 98 | 133-1566 | 1 | Starter Repair Kit |
| 10 | 136-7880 | 1 | Motor-Starter | | | | |
| 11 | 127-9208 | 1 | Bracket-Lift | | | | |

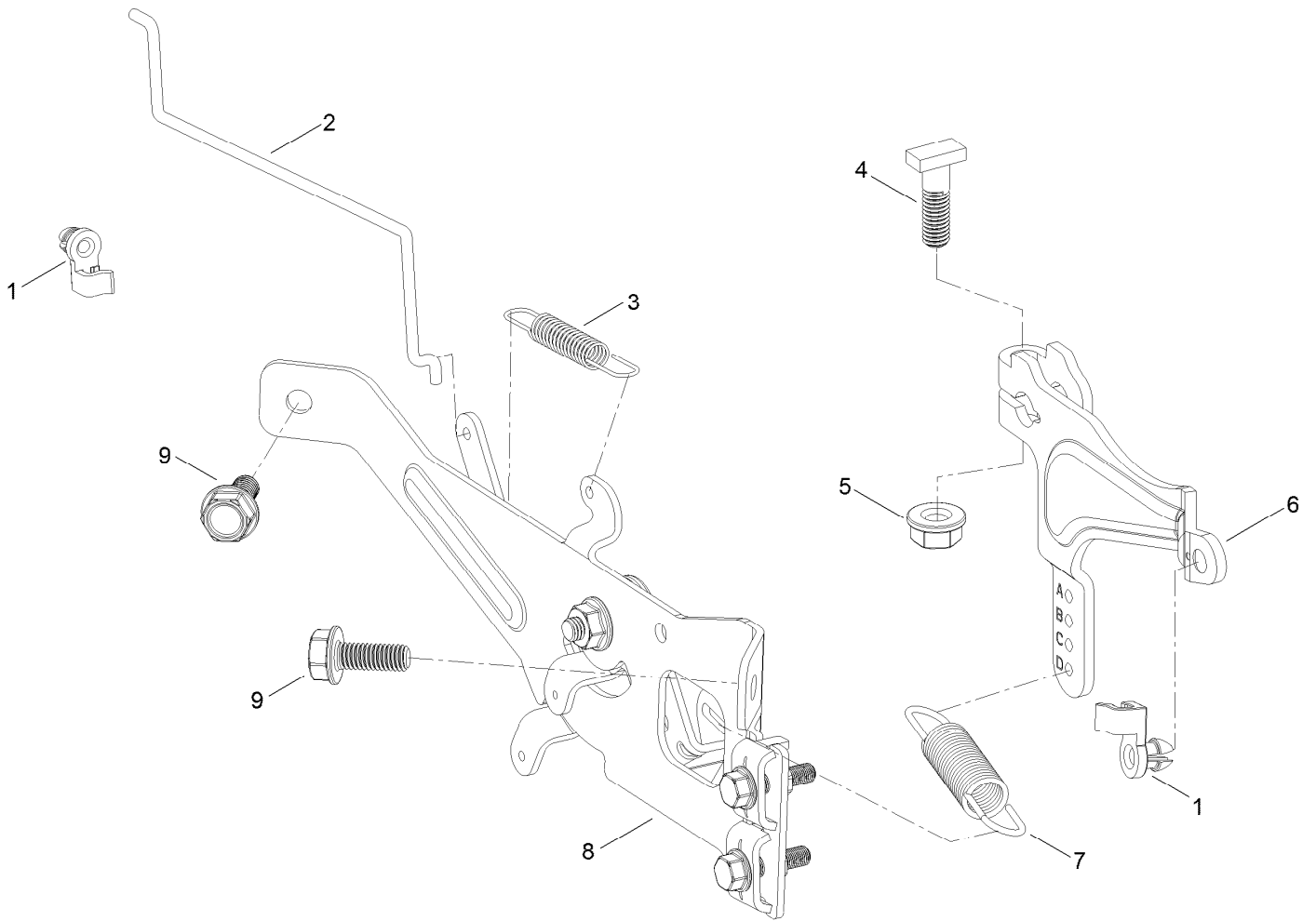
Crankcase and Crankshaft Assembly



Crankcase and Crankshaft Assembly (continued)

| <i>Ref.</i> | <i>Part Number</i> | <i>Qty.</i> | <i>Description</i> | <i>Ref.</i> | <i>Part Number</i> | <i>Qty.</i> | <i>Description</i> |
|-------------|--------------------|-------------|---------------------|-------------|--------------------|-------------|-------------------------|
| 1 | 120-4232 | 14 | Screw-HHF | 20 | 127-9266 | 1 | Valve-Ball |
| 2 | 127-9212 | 1 | Baffle | 21 | 120-4262 | 2 | O-Ring |
| 3 | 127-9213 | 1 | Cover-Breather | 22 | 127-9267 | 1 | Gasket-Cover, Crankcase |
| 4 | 127-9214 | 1 | Gasket-Breather | 23 | 133-9805 | 1 | Plug-Drain |
| 5 | 127-9215 | 1 | Filter-Breather | 24 | 133-9806 | 1 | Cover-Crankcase |
| 6 | 120-4216 | 1 | Screw-HHF | 25 | 127-9293 | 1 | Oil Drain Hose ASM |
| 7 | 127-9217 | 1 | Valve-Breather | 26 | 127-9275 | 1 | Fitting-Hose |
| 8 | 120-4267 | 1 | Seal-Oil | 27 | 127-9276 | 1 | Clamp-Hose |
| 10 | 136-7884 | 1 | Adaptor-Filter, Oil | 28 | 127-9271 | 1 | Seal |
| 11 | 136-7848 | 1 | Filter-Oil | 29 | 121-0473 | 10 | Screw-HHF |
| 12 | 127-9218 | 1 | Oil Tube ASM | 30 | 127-9274 | 1 | Cover-Oil Pump |
| 12:1 | 127-9283 | 1 | Dipstick | 31 | 127-9273 | 1 | O-Ring |
| 12:2 | 127-9284 | 1 | O-Ring | 32 | 127-9272 | 1 | Oil Pump ASM |
| 12:4 | 127-9286 | 1 | O-Ring | 33 | 120-4275 | 1 | Deflector-Oil, Rubber |
| 13 | 127-9255 | 1 | Crankshaft | 34 | 133-1568 | 1 | Camshaft |
| 13:1 | 120-4320 | 1 | Key-Woodruff | 35 | 136-7882 | 1 | Governor ASM |
| 14 | 127-9261 | 1 | Cover-Screen, Oil | 36 | 127-9238 | 1 | Shaft-Governor |
| 15 | 127-9262 | 1 | Screen-Oil | 37 | 120-4258 | 2 | Washer-Plain |
| 16 | 127-9263 | 1 | Retainer-Screen | 38 | 120-4257 | 1 | Seal-Oil |
| 17 | 120-4274 | 2 | Pin-Dowel | 39 | 120-4256 | 1 | Pin-Hair |
| 18 | 127-9264 | 1 | Plate-Retainer | 40 | 120-4232 | 2 | Screw-HHF |
| 19 | 127-9265 | 1 | Spring | 99 | 144-0976 | 1 | Oil Drain Service Kit |

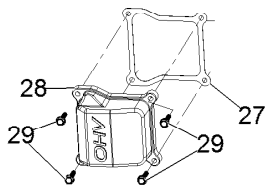
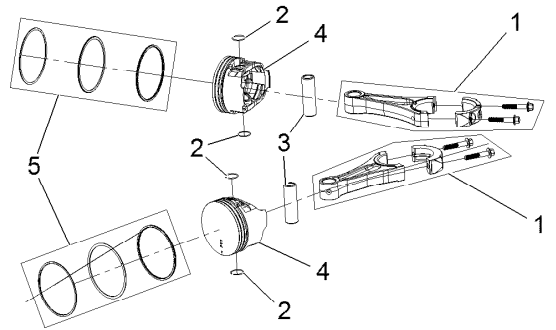
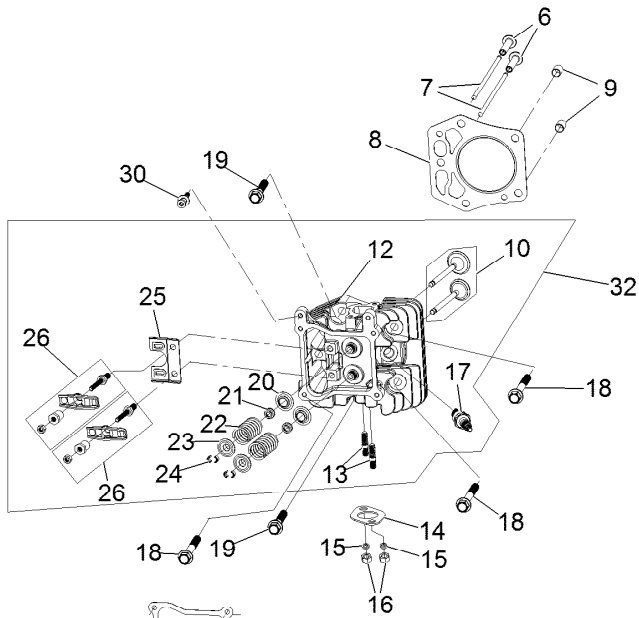
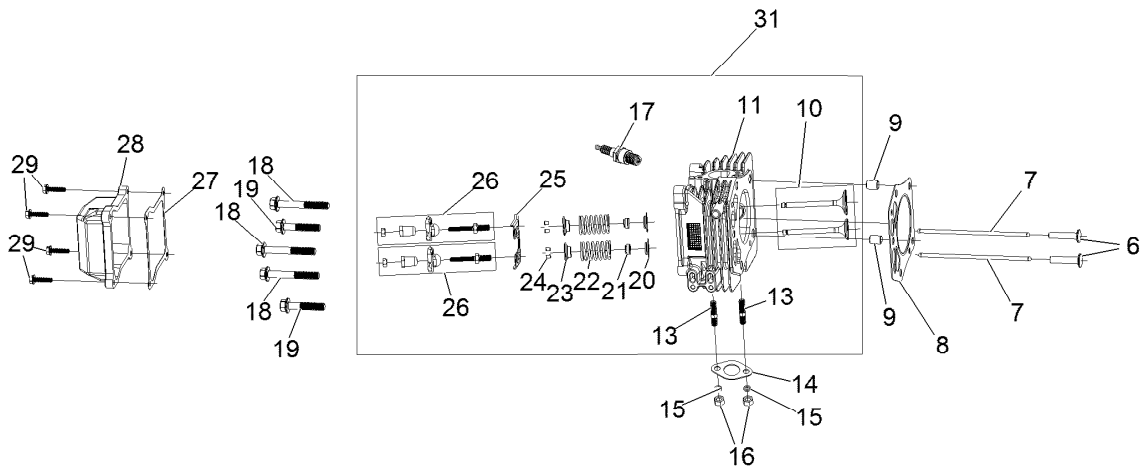
Governor Control Assembly



Governor Control Assembly (continued)

| <i>Ref.</i> | <i>Part Number</i> | <i>Qty.</i> | <i>Description</i> | <i>Ref.</i> | <i>Part Number</i> | <i>Qty.</i> | <i>Description</i> |
|-------------|--------------------|-------------|--------------------|-------------|--------------------|-------------|--------------------|
| 1 | 127-9250 | 2 | Clip-Linkage | 6 | 133-9961 | 1 | Arm-Governor |
| 2 | 127-9242 | 1 | Linkage-Choke | 7 | 133-9962 | 1 | Spring-Governor |
| 3 | 127-9241 | 1 | Spring-Governor | 8 | 133-1570 | 1 | Control Plate ASM |
| 4 | 120-4238 | 1 | Bolt-Arm, Governor | 9 | 120-4232 | 2 | Screw-HHF |
| 5 | 120-4236 | 1 | Nut-Flange | | | | |

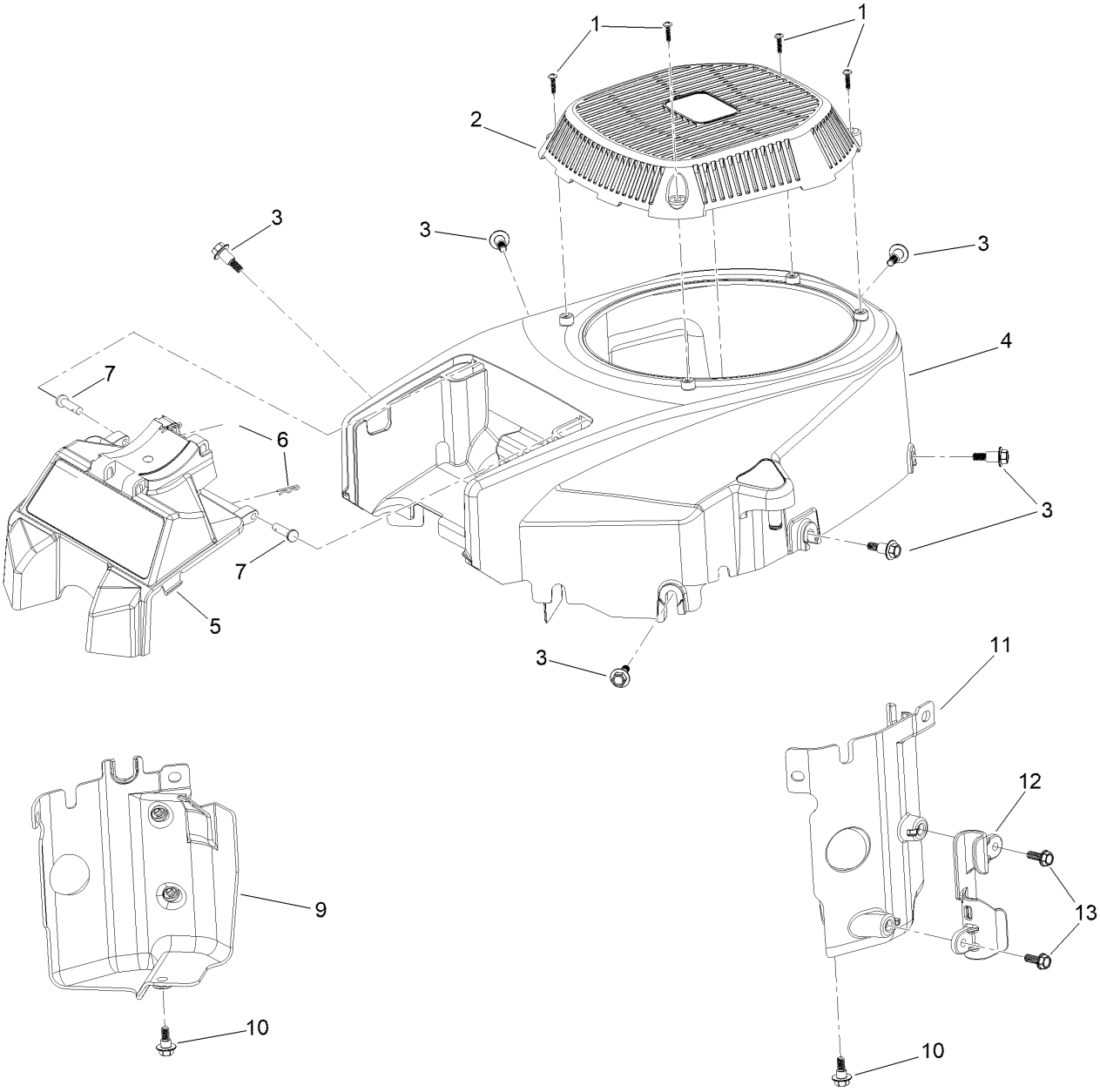
Piston and Cylinder Head Assembly



Piston and Cylinder Head Assembly (continued)

| <i>Ref.</i> | <i>Part Number</i> | <i>Qty.</i> | <i>Description</i> | <i>Ref.</i> | <i>Part Number</i> | <i>Qty.</i> | <i>Description</i> |
|-------------|--------------------|-------------|-----------------------|-------------|--------------------|-------------|-------------------------|
| 1 | 127-9256 | 2 | Connecting Rod ASM | 17 | 81-3250 | 2 | Spark Plug |
| 2 | 127-9258 | 4 | Clip-Pin, Piston | 18 | 127-9231 | 6 | Screw-HWH |
| 3 | 127-9257 | 2 | Pin-Piston | 19 | 127-9232 | 4 | Screw-HWH |
| 4 | 127-9259 | 2 | Piston | 20 | 120-4303 | 4 | Seat-Spring, Valve |
| 5 | 127-9260 | 2 | Piston Ring Set | 21 | 120-4304 | 4 | Seal-Stem, Valve |
| 6 | 127-9224 | 4 | Lifter-Valve | 22 | 120-4305 | 4 | Spring-Valve |
| 7 | 127-9225 | 4 | Rod-Push | 23 | 120-4306 | 4 | Retainer-Spring, Valve |
| 8 | 127-9226 | 2 | Gasket-Head, Cylinder | 24 | 120-4307 | 8 | Keeper-Valve |
| 9 | 127-9227 | 4 | Pin-Dowel | 25 | 127-9233 | 2 | Plate-Guide, Push Rod |
| 10 | 127-9228 | 2 | Valve Set | 26 | 136-7881 | 4 | Rocker Arm ASM |
| 11 | 133-9804 | 1 | Head-Cylinder, Left | 27 | 127-9295 | 2 | Gasket-Valve Cover |
| 12 | 133-9802 | 1 | Head-Cylinder, Right | 28 | 127-9050 | 2 | Cover-Valve |
| 13 | 121-0464 | 4 | Stud-Exhaust | 29 | 120-4225 | 8 | Screw-HHF |
| 14 | 120-4317 | 2 | Gasket-Exhaust | 30 | 120-4214 | 1 | Screw-Shoulder, HH |
| 15 | 127-9279 | 4 | Washer-Lock, Split | 31 | 136-7892 | 1 | Complete Left Head ASM |
| 16 | 121-0199 | 4 | Nut-HH | 32 | 136-7891 | 1 | Complete Right Head ASM |

Blower Housing Assembly

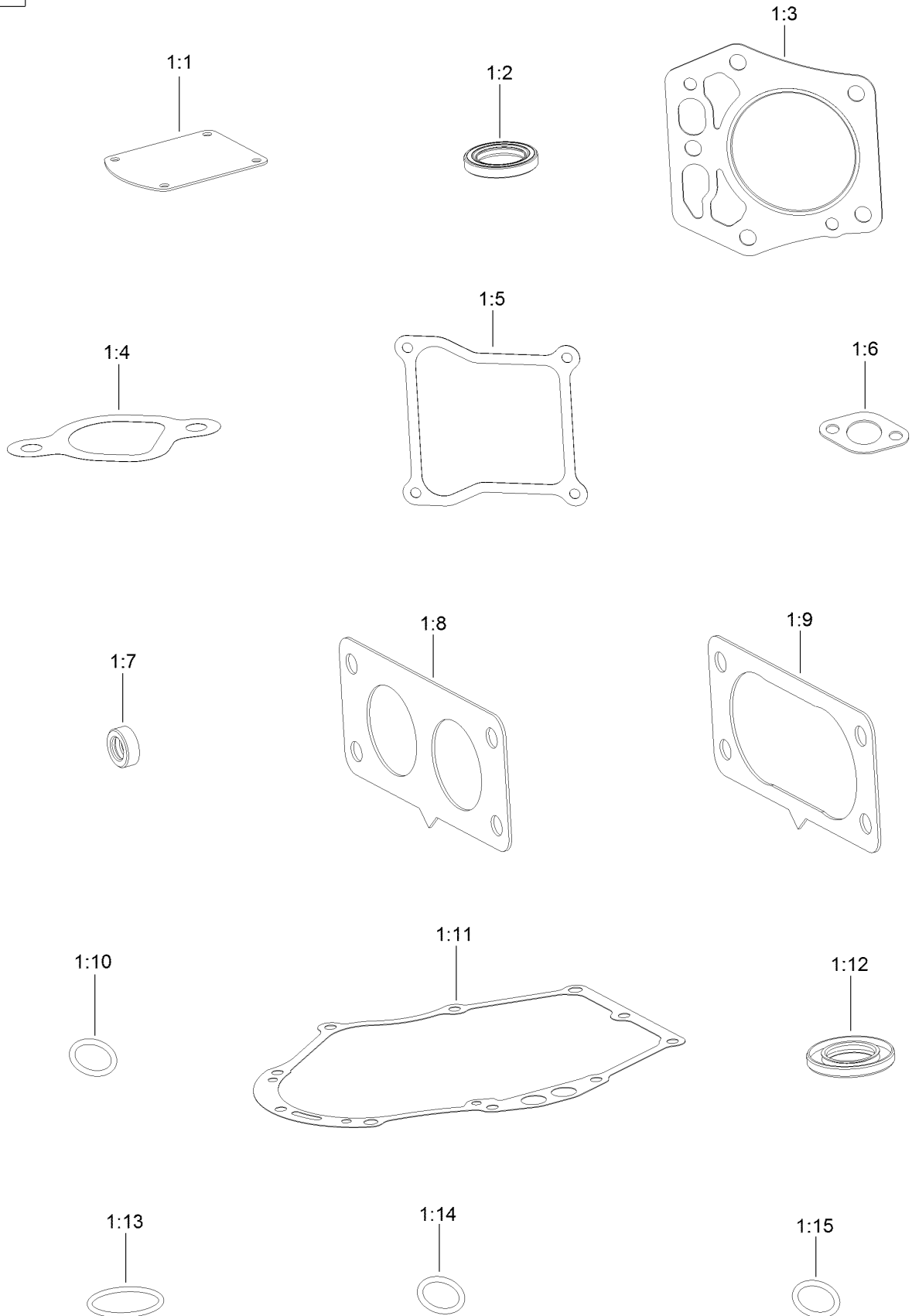


Blower Housing Assembly (continued)

| <i>Ref.</i> | <i>Part Number</i> | <i>Qty.</i> | <i>Description</i> | <i>Ref.</i> | <i>Part Number</i> | <i>Qty.</i> | <i>Description</i> |
|-------------|--------------------|-------------|---------------------|-------------|--------------------|-------------|---------------------|
| 1 | 133-1571 | 4 | Screw-PPH, Plastic | 7 | 127-9282 | 2 | Pin |
| 2 | 127-9045 | 1 | Cover-Fan | 9 | 136-7877 | 1 | Baffle-Air, Left |
| 3 | 127-9196 | 6 | Screw-Shoulder, HWH | 10 | 120-4210 | 2 | Screw-Shoulder, HHF |
| 4 | 133-1572 | 1 | Shroud-Engine | 11 | 136-7878 | 1 | Baffle-Air, Right |
| 5 | 136-5585 | 1 | Support-Filter | 12 | 127-9287 | 1 | Cleat-Hose |
| 6 | 127-9280 | 2 | Pin-Hair | 13 | 120-4232 | 2 | Screw-HHF |

Gasket and Seal Kit

1



Gasket and Seal Kit (continued)

| <i>Ref.</i> | <i>Part Number</i> | <i>Qty.</i> | <i>Description</i> | <i>Ref.</i> | <i>Part Number</i> | <i>Qty.</i> | <i>Description</i> |
|-------------|--------------------|-------------|-----------------------|-------------|--------------------|-------------|-------------------------|
| 1 | 127-9296 | 1 | Gasket And Seal Kit | 1:8 | 127-9246 | 2 | Gasket-Carburetor |
| 1:1 | 127-9214 | 1 | Gasket-Breather | 1:9 | 127-9251 | 1 | Gasket-Carburetor |
| 1:2 | 120-4267 | 1 | Seal-Oil | 1:10 | 120-4262 | 2 | O-Ring |
| 1:3 | 127-9226 | 2 | Gasket-Head, Cylinder | 1:11 | 127-9267 | 1 | Gasket-Cover, Crankcase |
| 1:4 | 127-9230 | 2 | Gasket-Intake | 1:12 | 127-9271 | 1 | Seal |
| 1:5 | 127-9295 | 2 | Gasket-Valve Cover | 1:13 | 127-9273 | 1 | O-Ring |
| 1:6 | 120-4317 | 2 | Gasket-Exhaust | 1:14 | 127-9284 | 1 | O-Ring |
| 1:7 | 120-4257 | 1 | Seal-Oil | 1:15 | 127-9286 | 1 | O-Ring |

Attachments and Accessories

For 77285 — 60in Z Master Professional 2000 Series Riding Mower

| Product Name | Model/Part |
|--|-------------------|
| Hypr-Oil 500 (quart) | 114-4713 |
| Hypr-Oil 500 (gallon)..... | 114-4714 |
| Hypr-Oil 500-5 (5 gallon)..... | 114-4715 |
| Striper Kit..... | 126-7882 |
| Jack Kit..... | 127-6666 |
| Blade-Rotary, 20.5in (Hi Flow) | 133-2127 |
| Blade-Rotary, Atomic 20.5in | 133-2157 |
| Blade-Rotary, Recycling 20.5in..... | 133-2161 |
| Blade (6 Pack) 20.5in, Hi Flow | 133-2174 |
| Blade (6 Pack) 20.5in, Recycler..... | 133-2177 |
| Blade (6 Pack) 20.5in, Atomic..... | 133-2180 |
| Spark Arrestor, 1.25 I.D. | 137-8098 |
| Tweel-Turf Tire..... | 139-3649 |
| Recycler Kit | 139-6655 |
| Semi Pneumatic Wheel and Tire Assembly, 13x6.50-6 | 140-4896 |
| Trimmer Mount | 144-2665 |
| Jack Mount Kit | 144-2676 |
| Hardtop Sun Canopy | 144-3719 |
| Wheel And Tire Asm | 144-6607 |
| Handle Extension Kit | 145-3615 |
| 13x6.5n6 Caster Tweel Asm | 147-6294 |
| Bucket Mount Kit, Z Master 2000 or 4000 Series Riding Mower | 147-6345 |
| Universal Mount Kit, Z Master 2000 or 4000 Series Riding Mower | 147-6346 |
| Baffle Kit, Turbo Force 60in | 147-7362 |
| Arm Rest Kit..... | 147-7397 |
| 2in Reciever Hitch Kit..... | 161-2810 |
| Bagger Kit, Z Master 2000 / 4000 | 78439 |
| Z 4000 60in Completion Kit..... | 78466 |

For 77285 — 60in Z Master Professional 2000 Series Riding Mower

| Product Name | Model/Part |
|--------------------------------------|-------------------|
| Hypr-Oil 500 (quart) | 114-4713 |
| Hypr-Oil 500 (gallon)..... | 114-4714 |
| Hypr-Oil 500-5 (5 gallon)..... | 114-4715 |
| Striper Kit..... | 126-7882 |
| Jack Kit..... | 127-6666 |
| Blade-Rotary, 20.5in (Hi Flow) | 133-2127 |
| Blade-Rotary, Atomic 20.5in | 133-2157 |
| Blade-Rotary, Recycling 20.5in..... | 133-2161 |
| Blade (6 Pack) 20.5in, Hi Flow | 133-2174 |
| Blade (6 Pack) 20.5in, Recycler..... | 133-2177 |
| Blade (6 Pack) 20.5in, Atomic..... | 133-2180 |
| Spark Arrestor, 1.25 I.D. | 137-8098 |
| Tweel-Turf Tire..... | 139-3649 |

Attachments and Accessories (continued)

| | |
|--|----------|
| Recycler Kit | 139-6655 |
| Semi Pneumatic Wheel and Tire Assembly, 13x6.50-6 | 140-4896 |
| Trimmer Mount | 144-2665 |
| Jack Mount Kit | 144-2676 |
| Hardtop Sun Canopy | 144-3719 |
| Wheel And Tire Asm | 144-6607 |
| Handle Extension Kit | 145-3615 |
| 13x6.5n6 Caster Tweel Asm | 147-6294 |
| Bucket Mount Kit, Z Master 2000 or 4000 Series Riding Mower | 147-6345 |
| Universal Mount Kit, Z Master 2000 or 4000 Series Riding Mower | 147-6346 |
| Baffle Kit, Turbo Force 60in | 147-7362 |
| Arm Rest Kit..... | 147-7397 |
| Electric Deck Lift Kit | 147-7867 |
| 2in Reciever Hitch Kit..... | 161-2810 |
| Maintenance Kit Toro V-twin W/ HD AC | 20295 |
| Bagger Kit, Z Master 2000 / 4000 | 78439 |
| Z 4000 60in Completion Kit..... | 78466 |

Notes:

Notes:



Count on it.