



Count on it.

Parts Catalog

52in Z Master® Professional 2000 Series

Riding Mower

Model No. 77283—Serial No. 415200000 and Up



Ordering Replacement Parts

To order replacement parts, please supply the part number, the quantity, and the description of each part desired.

Understanding Reference Numbers

Each identified part in an illustration has a reference number. The reference number for a part also appears in the parts list, along with other information about the part.

This catalog uses two special reference number formats, one to indicate parts in a service assembly and another to indicate the quantity of a given part in an illustration.

Service Assembly Reference Numbers

Parts in service assemblies have reference numbers in the form a:b. The a represents the reference number of the entire service assembly and the b represents a sequential number unique to each part within the service assembly.

For example, a wheel assembly might be identified by reference number 6, the tire by 6:1, the valve by 6:2, and the wheel by 6:3. When you order the assembly identified by reference number 6, you receive all parts identified by reference numbers 6:1, 6:2, and 6:3. However, you may also order any part individually. Reference numbers of this type appear in illustration and in parts lists.

Reference Numbers Indicating Quantity

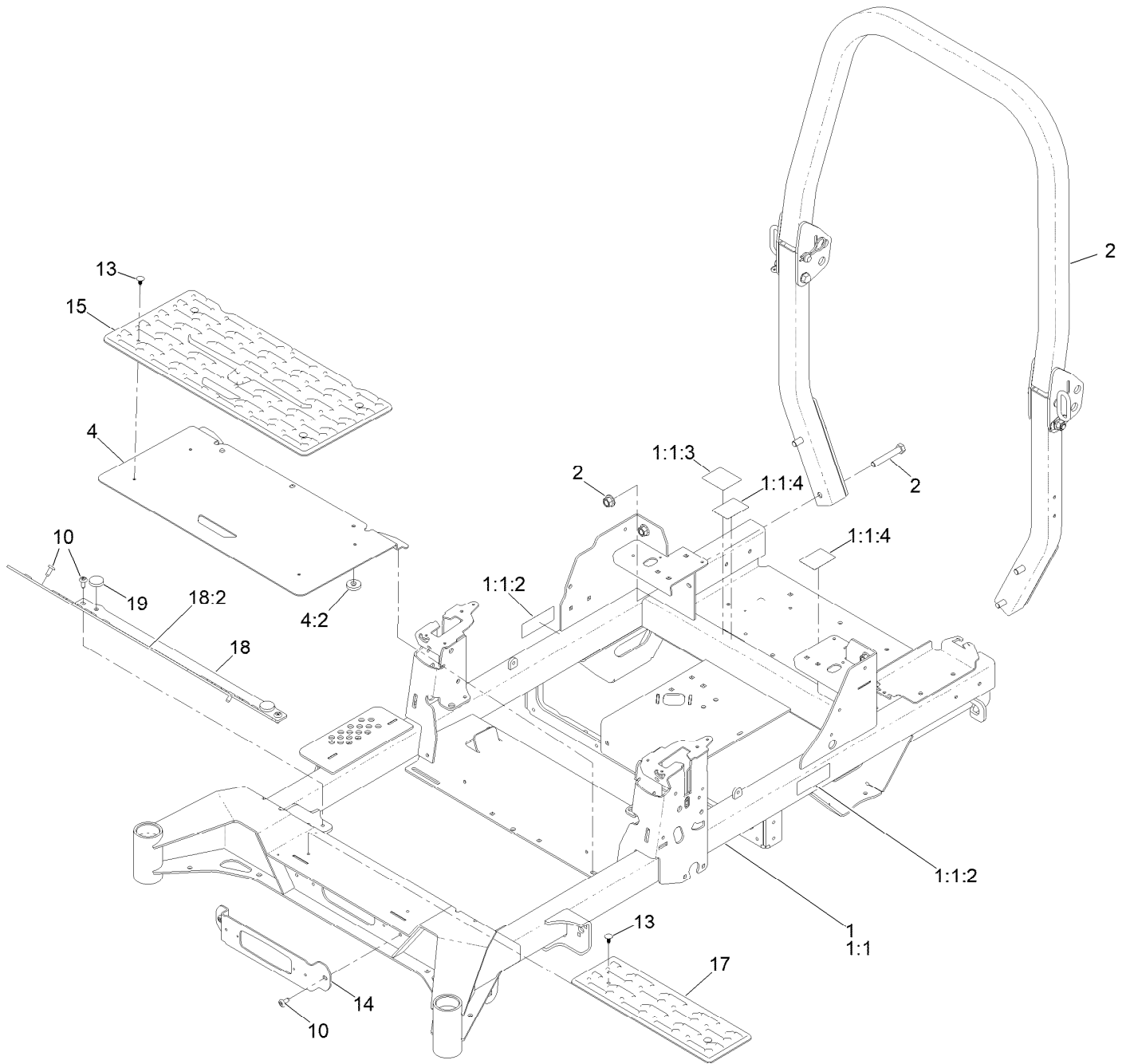
In an illustration, if a reference number indicates more than one part, the reference number has the form nX y. The n represents the quantity of the part, the X is the multiplication symbol, and the y represents the reference number.

For example, in an illustration, the reference number 2X 37 means that two of the parts identified by reference number 37 are indicated.

Contents

Frame Assembly	4
Roll-Over Protection System Assembly No. 139-8062	6
Hydro Drive Assembly	8
LH Transaxle Assembly No. 145-8424	10
RH Transaxle Assembly No. 145-8425	12
Throttle, Choke and Guards Assembly	14
Fuel Assembly	16
Fuel Tank Assembly No. 147-2403	18
Seat Mount Assembly	20
Seat Assembly No. 147-2384	22
Motion Control Assembly	24
Left and Right Motion Control Assembly	26
Front Caster Wheel Assembly	28
Fork and Caster Assembly	30
Rear Drive Wheel Assembly	32
Electrical Assembly	34
Wire Harness Assembly No. 147-2363	36
Deck Lift Assembly	38
Deck Strut Assembly No. 140-1179	40
Engine, Clutch and Muffler Assembly	42
Air Cleaner Assembly No. 93-2190	44
Decal Assembly	46
Deck Assembly	48
Deck Decal Assembly No. 147-7372	50
Spindle Assembly No. 139-2357	52
Deflector Assembly No. 144-2635	54
Idler Arm Assembly No. 139-1087	56
Fuel System Assembly	58
Carburetor Assembly	60
Air Intake and Filtration Assembly	62
Ignition and Cooling Fan Assembly	64
Crankcase and Crankshaft Assembly	66
Governor Control Assembly	68
Piston and Cylinder Head Assembly	70
Blower Housing Assembly	72
Gasket and Seal Kit	74
Attachments and Accessories	76

Frame Assembly



Frame Assembly (continued)

<i>Ref.</i>	<i>Part Number</i>	<i>Qty.</i>	<i>Description</i>	<i>Ref.</i>	<i>Part Number</i>	<i>Qty.</i>	<i>Description</i>
1	145-8476	1	Frame ASM	10	138-9753	6	Screw
1:1		1	Frame-48/52 ●	13	117-2382	6	Plug-Plastic
1:1:2	126-4363	2	Decal-Warning	14	140-4994-01	1	Bracket-Light
1:1:3	109-6014	1	Decal-Routing, Belt	15	140-7950	1	Floormat-Fixed Seat
1:1:4	147-4982	2	Decal-Bypass	17	140-4992	1	Step
2	139-8062	1	ASM-ROPS	18	140-4995	1	Toeboard
4	138-6098	1	Floor Pan ASM	18:2	126-8383	1	Decal-Danger
4:2	109-9233	2	Bumper-Push-In, Rubber	19	109-9233	2	Bumper-Push-In, Rubber

● Not serviced separately

Roll-Over Protection System Assembly No. 139-8062



Roll-Over Protection System Assembly No. 139-8062 (continued)

<i>Ref.</i>	<i>Part Number</i>	<i>Qty.</i>	<i>Description</i>	<i>Ref.</i>	<i>Part Number</i>	<i>Qty.</i>	<i>Description</i>
1		1	Upper ROPS ASM ●	5	103-4553	2	ROPS Fold Pin ASM
1:2	107-3069	1	Decal-Warning	6	99-5107	6	Nut-HF Nylock
2		1	RH Lower ROPS ASM ●	7	109-5337	2	Bumper-ROPS
3		1	LH Lower ROPS ASM ●	8	109-9505	4	Washer-Spring
4	126-9209	2	Bolt-Shoulder	9	325-13	4	Screw-HH

● Not serviced separately

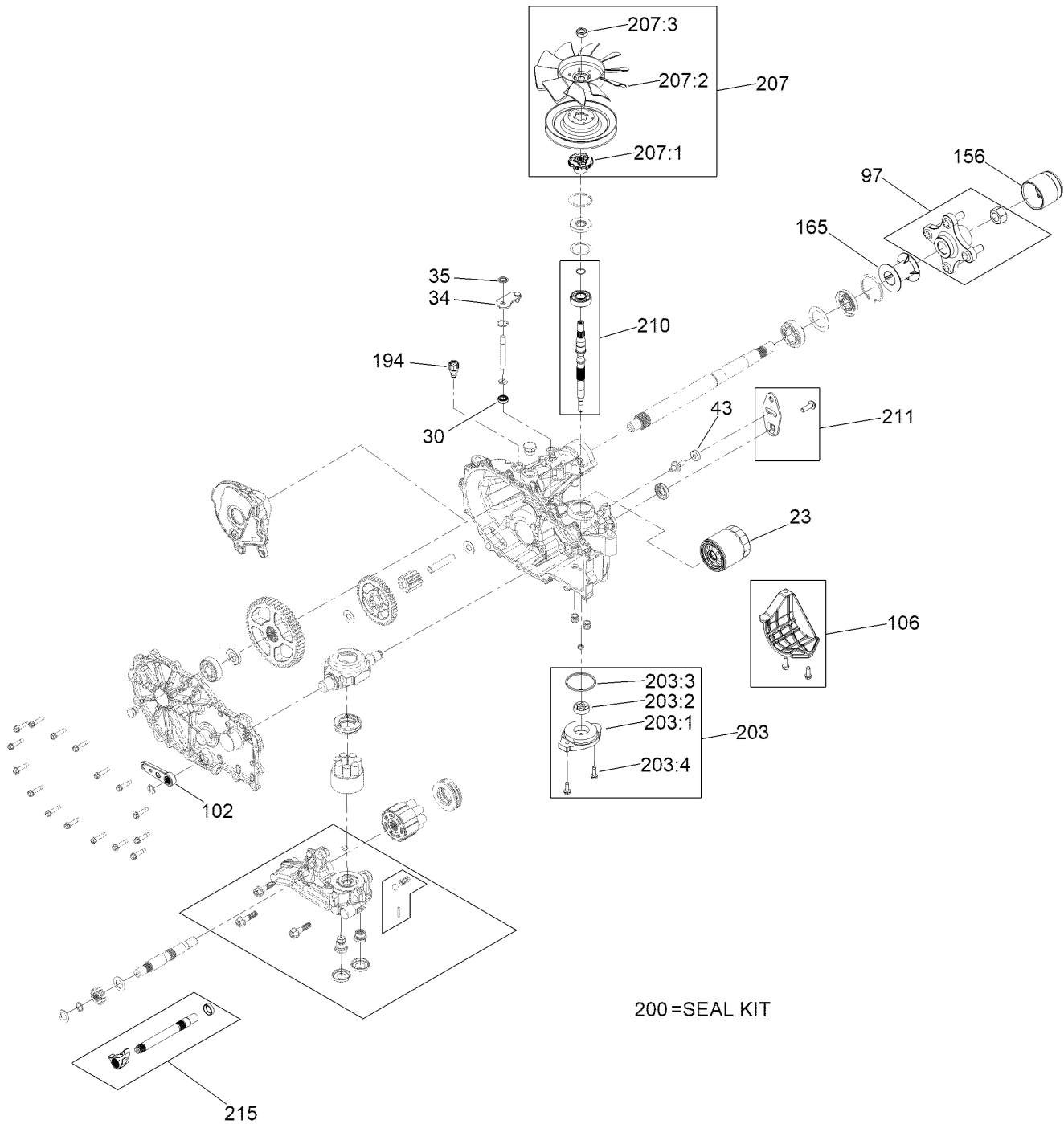
Hydro Drive Assembly



Hydro Drive Assembly (continued)

<i>Ref.</i>	<i>Part Number</i>	<i>Qty.</i>	<i>Description</i>	<i>Ref.</i>	<i>Part Number</i>	<i>Qty.</i>	<i>Description</i>
1	145-8424	1	Transaxle ASM	8	94-7972	2	Screw-HH, Patch
2	145-8425	1	Transaxle ASM	9	109-3652	2	Spacer
3	126-4687	4	Screw-HHF	10	126-5896	2	Screw HHF
4	1-303334	4	Washer-Spring	11	3230-7	2	Bolt-CARR
5	104-8300	8	Nut-HF, NI	12	125-8950	2	Rod-Bypass
6	145-5708	1	Shaft-Spacer	13	119-1415	2	Pin-Cotter, Locking
7	3256-4	2	Washer-Flat				

LH Transaxle Assembly No. 145-8424



LH Transaxle Assembly No. 145-8424 (continued)

<i>Ref.</i>	<i>Part Number</i>	<i>Qty.</i>	<i>Description</i>	<i>Ref.</i>	<i>Part Number</i>	<i>Qty.</i>	<i>Description</i>
23	109-3321	1	Element-Oil Filter, HYD	203	114-8465	1	Charge Kit
30	139-7497	1	Seal-Lip	203:1	114-8457	1	Cover-Charge Pump
34	107-2490	1	Arm-Bypass	203:2	104-2122	1	Gerotor ASM
35	106-8681	1	Ring-Retaining, External	203:3	109-3540	1	O Ring-Seal
43	112-9853	1	Puck-Friction	203:4	104-2120	1	Screw
97	116-3872	1	Hub-Offset	207	126-8904	1	Fan And Pulley Kit
102	125-0021	1	Handle-Brake	207:1	126-8905	1	Hub-Fan
106	120-7979	1	Guard-Filter, LH	207:2	126-0226	1	Fan
156	116-6214	1	Cap-Axle, Long	207:3	116-9714	1	Nut-HJ
165	116-6213	1	Tube-Axle	210	121-3248	1	Input Shaft Kit
194	147-7366	1	Assembly-Fitting, Breather	211	117-5362	1	Control Arm Kit
200	121-3243	1	Seal Kit	215	140-8353	1	Inboard Kit

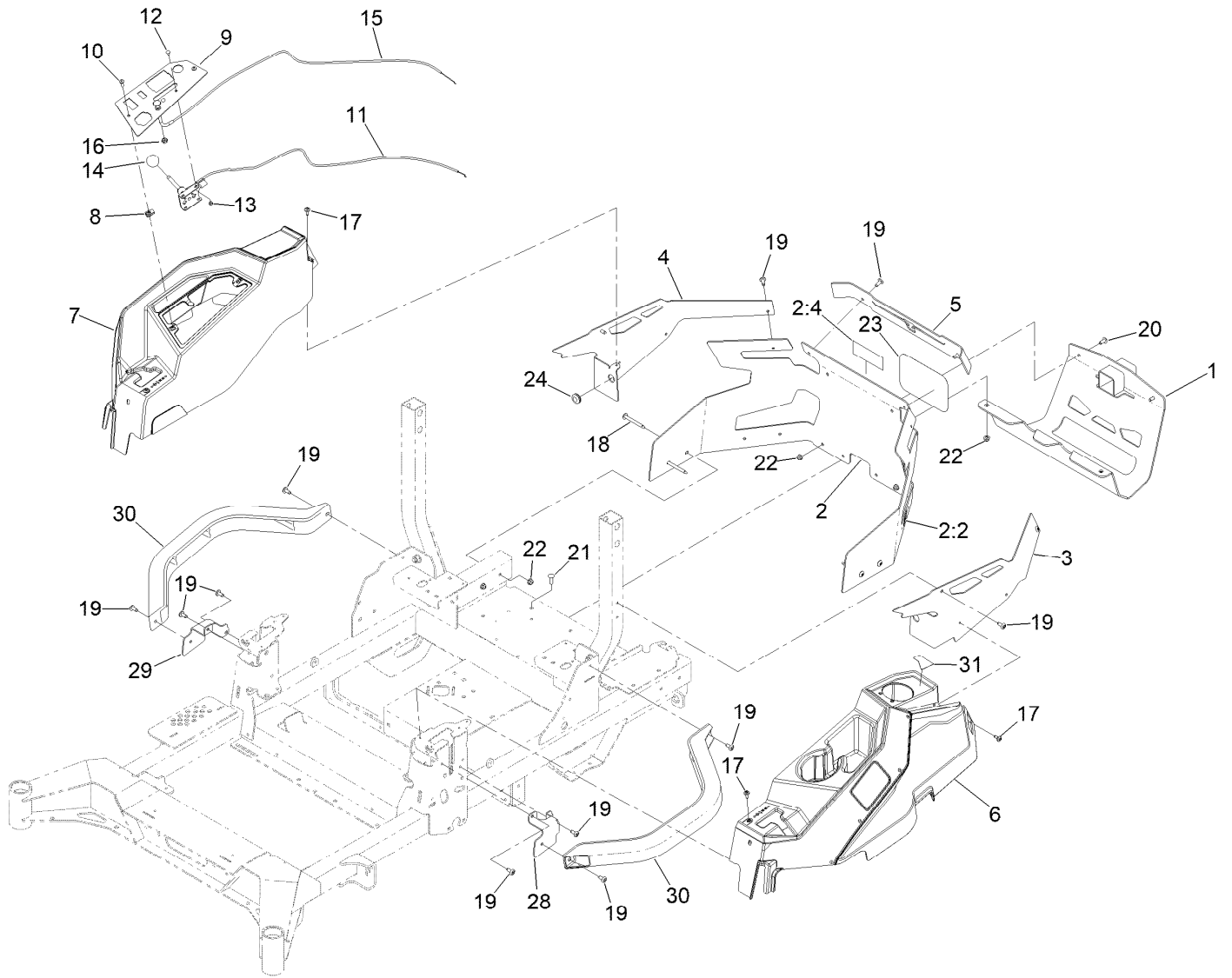
RH Transaxle Assembly No. 145-8425



RH Transaxle Assembly No. 145-8425 (continued)

<i>Ref.</i>	<i>Part Number</i>	<i>Qty.</i>	<i>Description</i>	<i>Ref.</i>	<i>Part Number</i>	<i>Qty.</i>	<i>Description</i>
23	109-3321	1	Element-Oil Filter, HYD	203	114-8465	1	Charge Kit
30	139-7497	1	Seal-Lip	203:1	114-8457	1	Cover-Charge Pump
34	107-2490	1	Arm-Bypass	203:2	104-2122	1	Gerotor ASM
35	106-8681	1	Ring-Retaining, External	203:3	109-3540	1	O Ring-Seal
43	112-9853	1	Puck-Friction	203:4	104-2120	1	Screw
97	116-3872	1	Hub-Offset	207	126-8904	1	Fan And Pulley Kit
102	125-0021	1	Handle-Brake	207:1	126-8905	1	Hub-Fan
106	120-7981	1	Guard-Filter, RH	207:2	126-0226	1	Fan
156	116-6214	1	Cap-Axle, Long	207:3	116-9714	1	Nut-HJ
165	116-6213	1	Tube-Axle	210	121-3248	1	Input Shaft Kit
194	147-7366	1	Assembly-Fitting, Breather	211	117-5362	1	Control Arm Kit
200	121-3243	1	Seal Kit	215	140-8353	1	Inboard Kit

Throttle, Choke and Guards Assembly



Throttle, Choke and Guards Assembly (continued)

<i>Ref.</i>	<i>Part Number</i>	<i>Qty.</i>	<i>Description</i>	<i>Ref.</i>	<i>Part Number</i>	<i>Qty.</i>	<i>Description</i>
1	147-2408-03	1	Guard-Muffler	14	1-603175	1	Knob-Ball
2	145-7022	1	Rear Guard ASM	15	139-6735	1	Cable-Control, Choke
2:2	106-5517	2	Decal-Warning	16	3220-3	1	Nut-HJ
2:4	147-7364	1	Decal-Hitch	17	120-7950	6	Screw-Torx
3	145-8443-01	1	Guard-Rear, LH	18	126-6267	4	Screw-TTH
4	145-8444-01	1	Guard-Rear, RH	19	138-9753	14	Screw
5	145-7007-01	1	Guard-Rear, Top	20	126-6268	2	Screw-TTH
6	147-2352	1	LH Pod ASM	21	3230-22	2	Screw-CARR
7	147-2353	1	RH Pod ASM	22	104-8300	8	Nut-HF, NI
8	107069	2	Clip	23	67-7320	1	Decal
9	145-8498-03	1	Panel-Control	24	112-7069	1	Grommet
10	138-0689	2	Screw-PH	28	145-8481-01	1	Bracket-Mount, LH
11	139-6734	1	Cable-Control, Throttle	29	145-8484-01	1	Bracket-Mount, RH
12	1-807513	2	Bolt-CARR	30	147-2385-01	2	Tube-Pod
13	3296-2	2	Nut-Lock, NI	31	147-2399	1	Decal-Fuel Fill

Fuel Assembly (continued)

<i>Ref.</i>	<i>Part Number</i>	<i>Qty.</i>	<i>Description</i>	<i>Ref.</i>	<i>Part Number</i>	<i>Qty.</i>	<i>Description</i>
1	147-2403	1	Tank ASM-Fuel	7	147-7350	1	Neck-Filler, Fuel
2	145-5778	1	Retainer-Tank, Rear	8	145-4698	1	Hose-Filler, Fuel
3	614672	1	Screw-Shoulder, HWH	9	2412-130	2	Clamp-Hose
4	137-4119	1	Cap-Fuel, Ratcheting	10	104-2490	1	Clamp-Hose
5	147-4649	1	Fuel Hose ASM	11	125-9622	1	Rivet-Blind
5:1	109-0301	1	Hose-Fuel	12	104-8301	1	Nut-HF, NI
5:2	114-3766	1	Hose-Fuel	13	161-2890	1	Bracket-Mounting, Fill
5:3	1-603770	1	Valve-Fuel	14	32180-082	1	Clip-Edge W/Tie, Perpendicular
5:4	2412-98	4	Clamp-Hose				
6	147-4950	1	Vent Hose ASM	16	120-7950	2	Screw-Torx

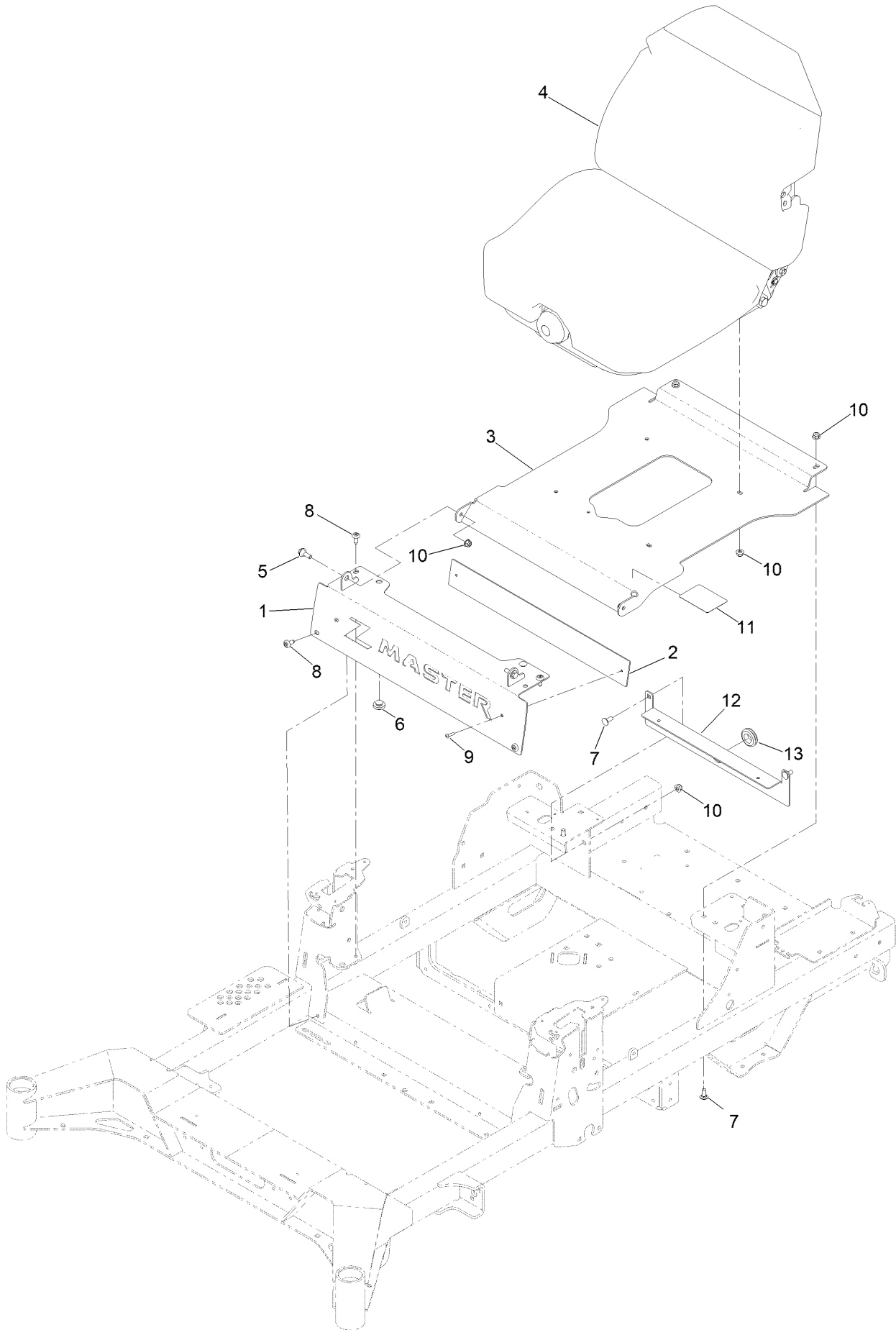
Fuel Tank Assembly No. 147-2403



Fuel Tank Assembly No. 147-2403 (continued)

<i>Ref.</i>	<i>Part Number</i>	<i>Qty.</i>	<i>Description</i>	<i>Ref.</i>	<i>Part Number</i>	<i>Qty.</i>	<i>Description</i>
2	133-9269	1	Grommet-Fuel	5	126-9057	1	Fitting-90 DEG
3	139-8058	1	Gauge-Fuel	6	140-4955	1	Connector Elbow-90 DEG
4	46-6560	2	Bushing				

Seat Mount Assembly



Seat Mount Assembly (continued)

<i>Ref.</i>	<i>Part Number</i>	<i>Qty.</i>	<i>Description</i>	<i>Ref.</i>	<i>Part Number</i>	<i>Qty.</i>	<i>Description</i>
1	145-7025-03	1	Badge Plate ASM [black]	8	138-9753	4	Screw
2	147-4954-01	1	Plate-Backer	9	130-8451	2	Rivet-Trifold
3	147-7354-03	1	Pan-Seat	10	104-8300	10	Nut-HF, NI
4	147-2384	1	Seat ASM-Suspension	11	144-2669	1	Decal-Service Aid
5	116-2670	2	Screw-Shoulder	12	147-2362-03	1	Bracket-Firewall
6	135-0505	2	Bumper-Seat	13	1-543286	1	Grommet
7	3230-23	4	Bolt-CARR				

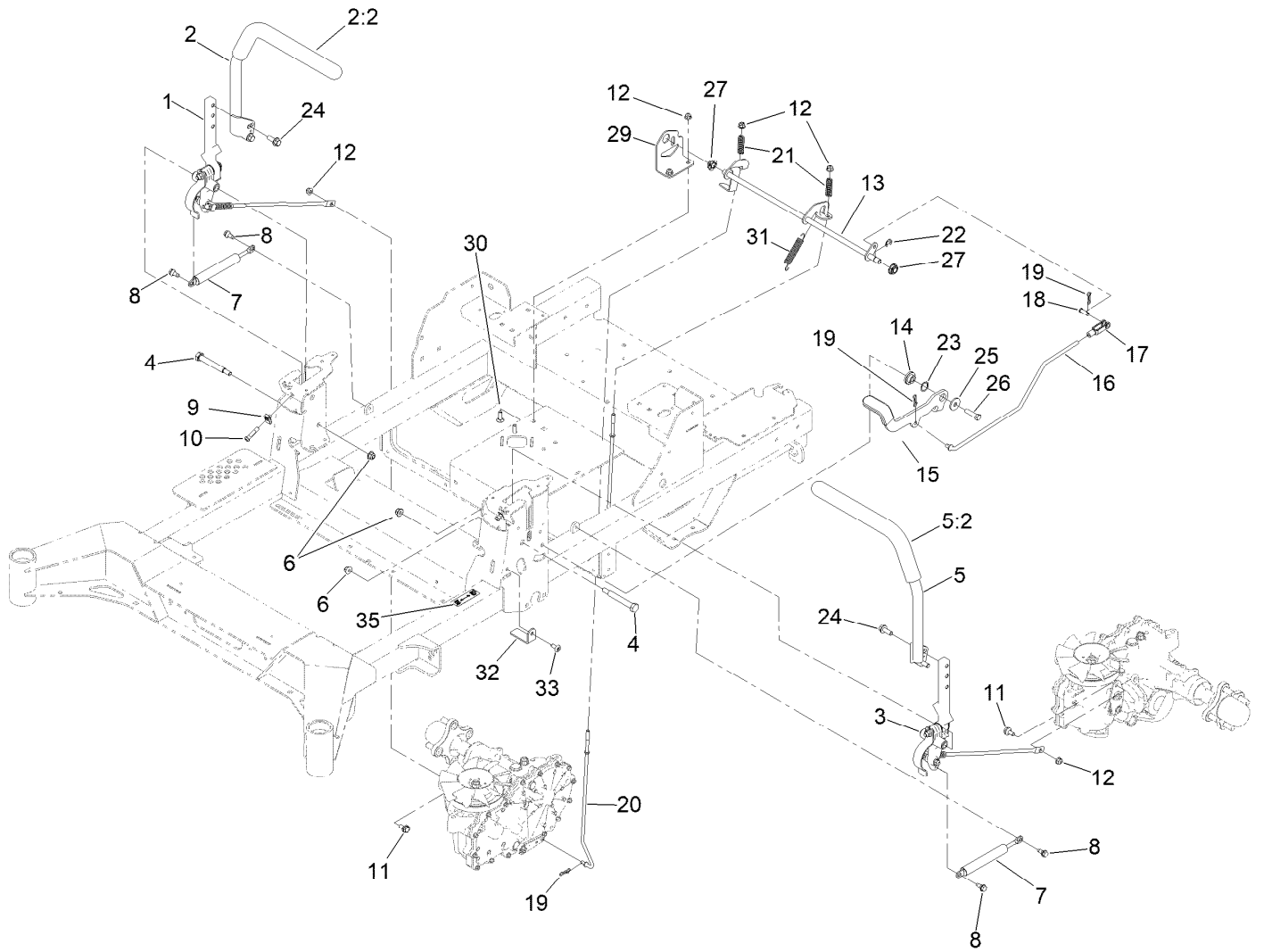
Seat Assembly No. 147-2384



Seat Assembly No. 147-2384 (continued)

<i>Ref.</i>	<i>Part Number</i>	<i>Qty.</i>	<i>Description</i>	<i>Ref.</i>	<i>Part Number</i>	<i>Qty.</i>	<i>Description</i>
1	126-8558	1	Tracks-4" Travel	5	147-7367	1	Cover-Back, Seat
2	116-8911	1	Knob-Adjuster	6	147-7368	1	Cover-Bottom, Suspension Seat
3	146-0595	1	Seat Belt Kit				
4	82-2190	1	Switch-Bail				

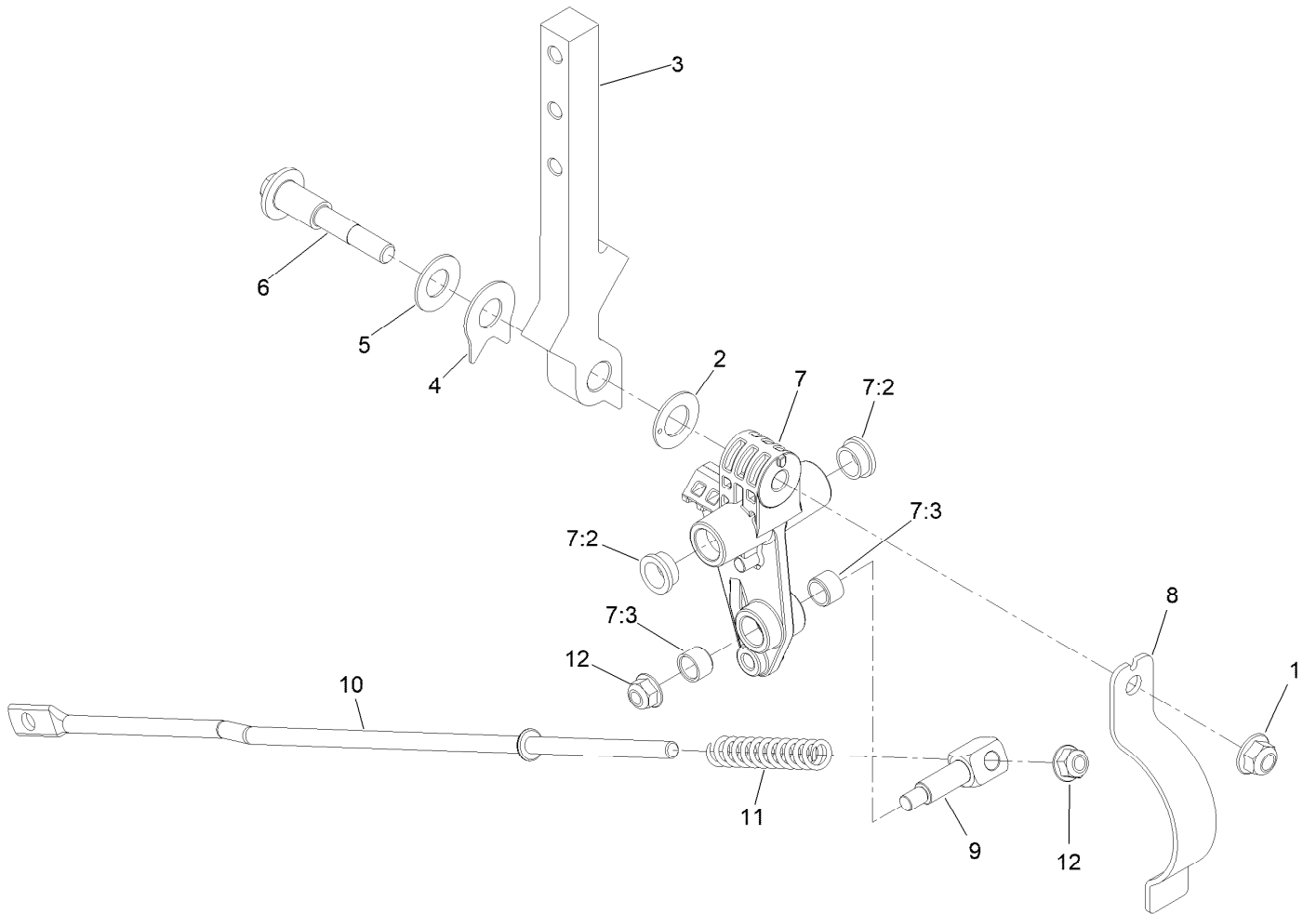
Motion Control Assembly



Motion Control Assembly (continued)

<i>Ref.</i>	<i>Part Number</i>	<i>Qty.</i>	<i>Description</i>	<i>Ref.</i>	<i>Part Number</i>	<i>Qty.</i>	<i>Description</i>
1	145-5725	1	Motion Control ASM-RH	17	1-303105	1	Yoke-Adjustable
2	147-2390	1	RH Handle ASM	18	1-808280	1	Pin-Clevis
2:2	109-5668	1	Grip-Lever, Control	19	119-1415	4	Pin-Cotter, Locking
3	145-5724	1	Motion Control ASM-LH	20	126-7217	2	Linkage-Brake, Lower
4	115-5099	2	Bolt-Pivot	21	109-7694	2	Spring-Compression
5	147-2391	1	LH Handle ASM	22	32120-47	1	Ring-Retaining, External
5:2	109-5668	1	Grip-Lever, Control	23	119-4164	1	Washer-Wave
6	104-8301	3	Nut-HF, NI	24	3234-42	4	Screw-HHF
7	142-6851	2	Damper	25	2844	1	Washer
8	126-4424	4	Screw-Shoulder	26	323-8	1	Screw-HH
9	112-3306	2	Nut	27	126-5820	2	Bearing-Spherical
10	126-4299	2	Screw-HSBH	29	145-5726	1	Bracket-Brake
11	37-8771	2	Bolt-Shoulder, HF	30	3230-22	2	Screw-CARR
12	104-8300	6	Nut-HF, NI	31	109-7124	1	Spring-Extension
13	145-5719	1	Shaft-Brake	32	145-3685	2	Plate-Stop, Rtn
14	126-5989	1	Pivot-Flange	33	138-9753	2	Screw
15	126-9490	1	Lever-Brake (With Grip)	35	115-9625	1	Decal-Brake, Parking
16	145-5722	1	Linkage-Brake, Upper				

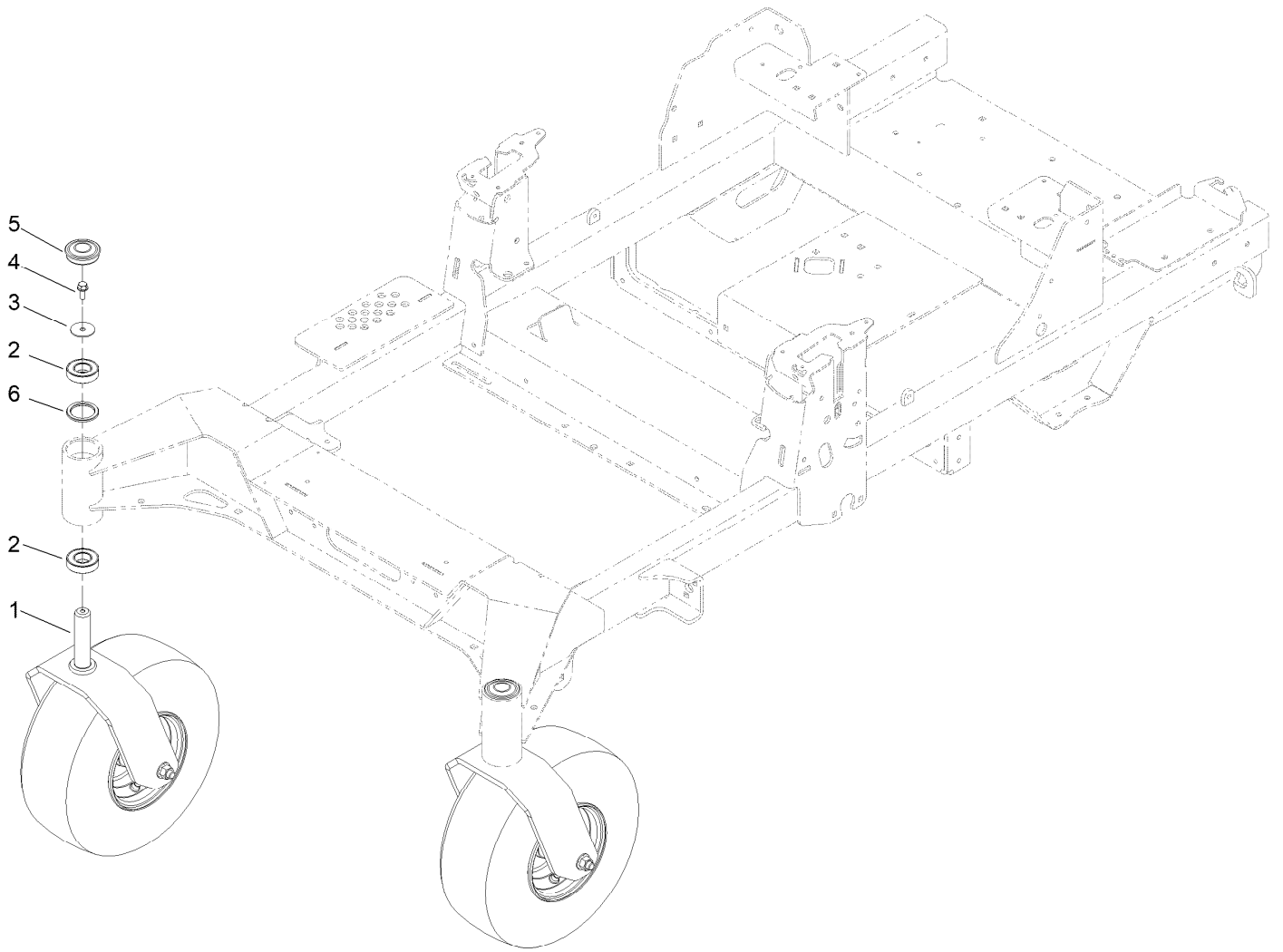
Left and Right Motion Control Assembly



Left and Right Motion Control Assembly (continued)

<i>Ref.</i>	<i>Part Number</i>	<i>Qty.</i>	<i>Description</i>	<i>Ref.</i>	<i>Part Number</i>	<i>Qty.</i>	<i>Description</i>
1	104-8301	1	Nut-HF, NI	7:2	126-8909	2	Bushing
2	126-7296	1	Washer-Friction	7:3	1-413152	2	Bushing-Sleeve
3	147-2389	1	Arm-Control	8	145-5799	1	Spring-Rtn
4	142-8478	1	Spacer, Anti-Rotation	9	126-5434	1	Swivel
5	119-8925	1	Washer-Belleville	10	145-5723	1	Link-Control
6	117-1198	1	Bolt-Pivot	11	126-8195	1	Spring-Return, Neutral
7	145-5798	1	ASM-Control Arm	12	104-8300	2	Nut-HF, NI

Front Caster Wheel Assembly

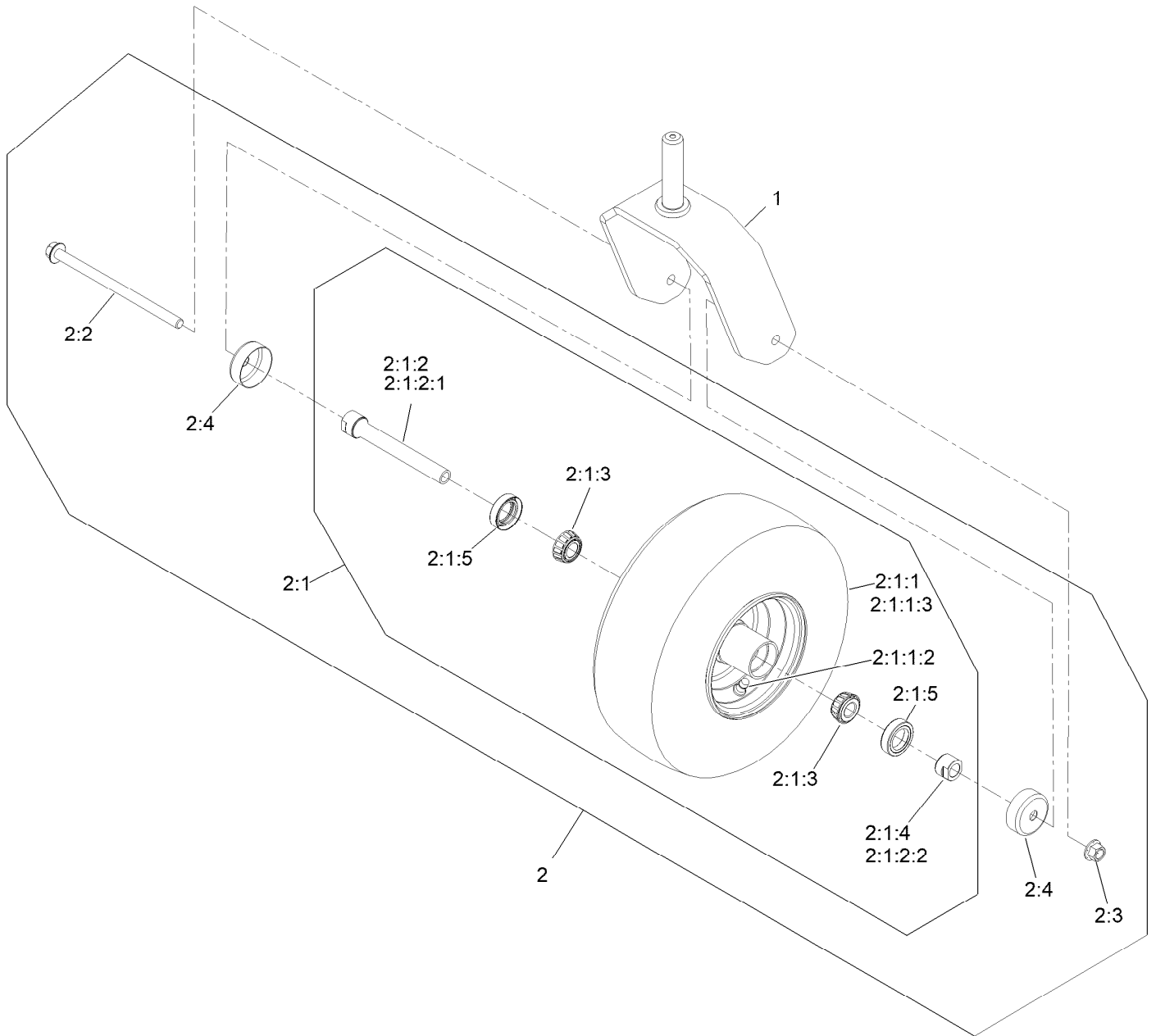


Front Caster Wheel Assembly (continued)

<i>Ref.</i>	<i>Part Number</i>	<i>Qty.</i>	<i>Description</i>	<i>Ref.</i>	<i>Part Number</i>	<i>Qty.</i>	<i>Description</i>
1		2	ASM, Front Caster W/ Fork ●	4	100-1668	2	Screw-HHF
2	109-3678	4	Bearing-Ball	5	144-0375	2	Cap-Grease
3	3256-68	2	Washer-Flat	6	145-3660	2	Spacer-Bearing

● Not serviced separately

Fork and Caster Assembly

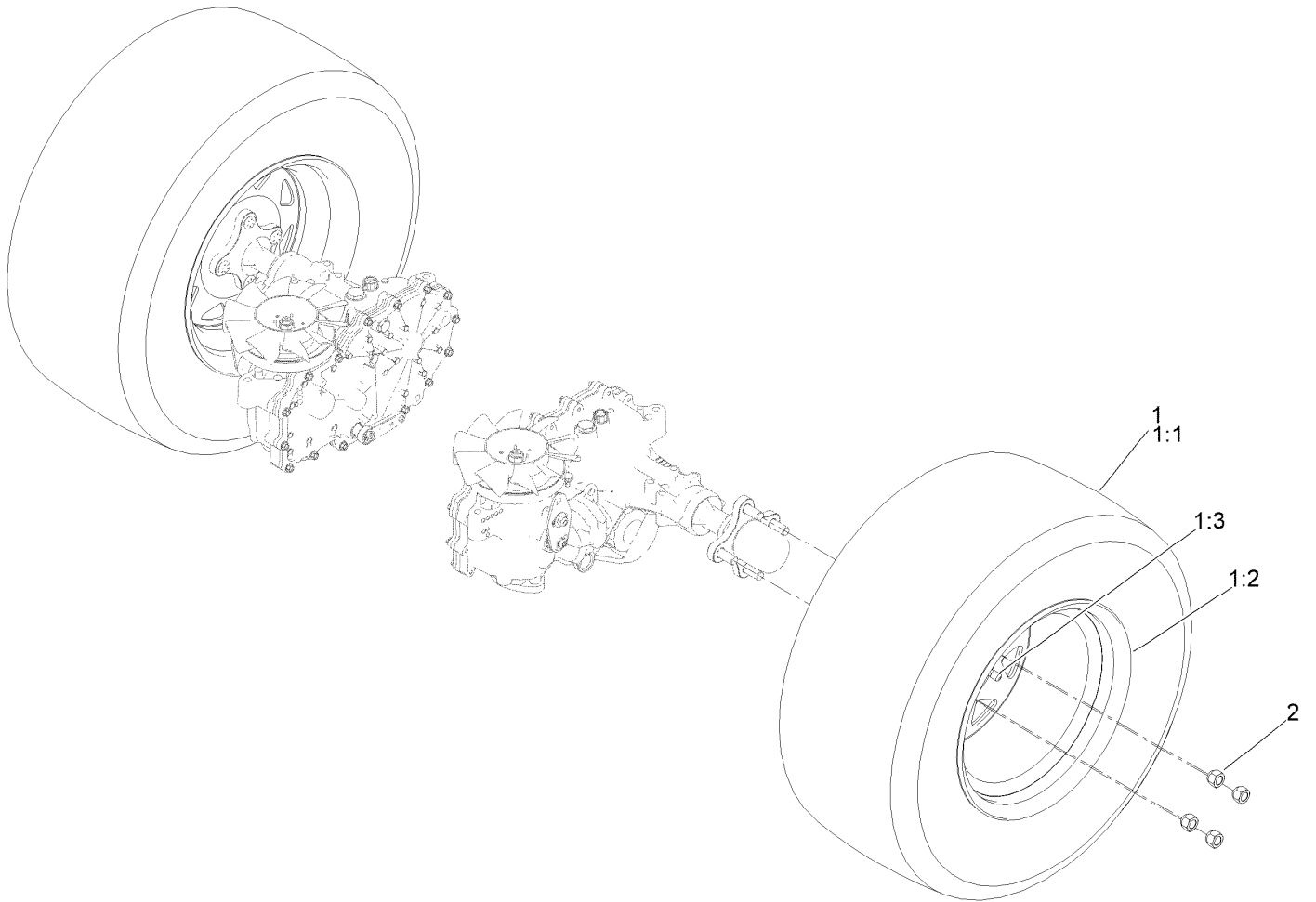


Fork and Caster Assembly (continued)

<i>Ref.</i>	<i>Part Number</i>	<i>Qty.</i>	<i>Description</i>	<i>Ref.</i>	<i>Part Number</i>	<i>Qty.</i>	<i>Description</i>
1	142-7827-01	1	Fork-Caster	2:1:2:1	126-5220	1	Axle-Caster
2	139-3639	1	ASM-Pneumatic 13X6.50-6	2:1:2:2	103-3051	1	Spacer-Nut
2:1		1	Wheel And Bearings ASM ●	2:1:3	1-633585	2	Bearing-Cone, Taper
2:1:1		1	Wheel And Tire ASM 13X6.5-6 ●	2:1:4	103-3051	1	Spacer-Nut
2:1:1:2	5108	1	Valve	2:1:5	103-0063	2	Seal-Caster
2:1:1:3	126-5959	1	Tire	2:2	126-5389	1	Screw-HHF
2:1:2	126-7796	1	Caster Axle ASM	2:3	99-5107	1	Nut-HF Nylock
				2:4	103-2768	2	Guard-Seal

● Not serviced separately

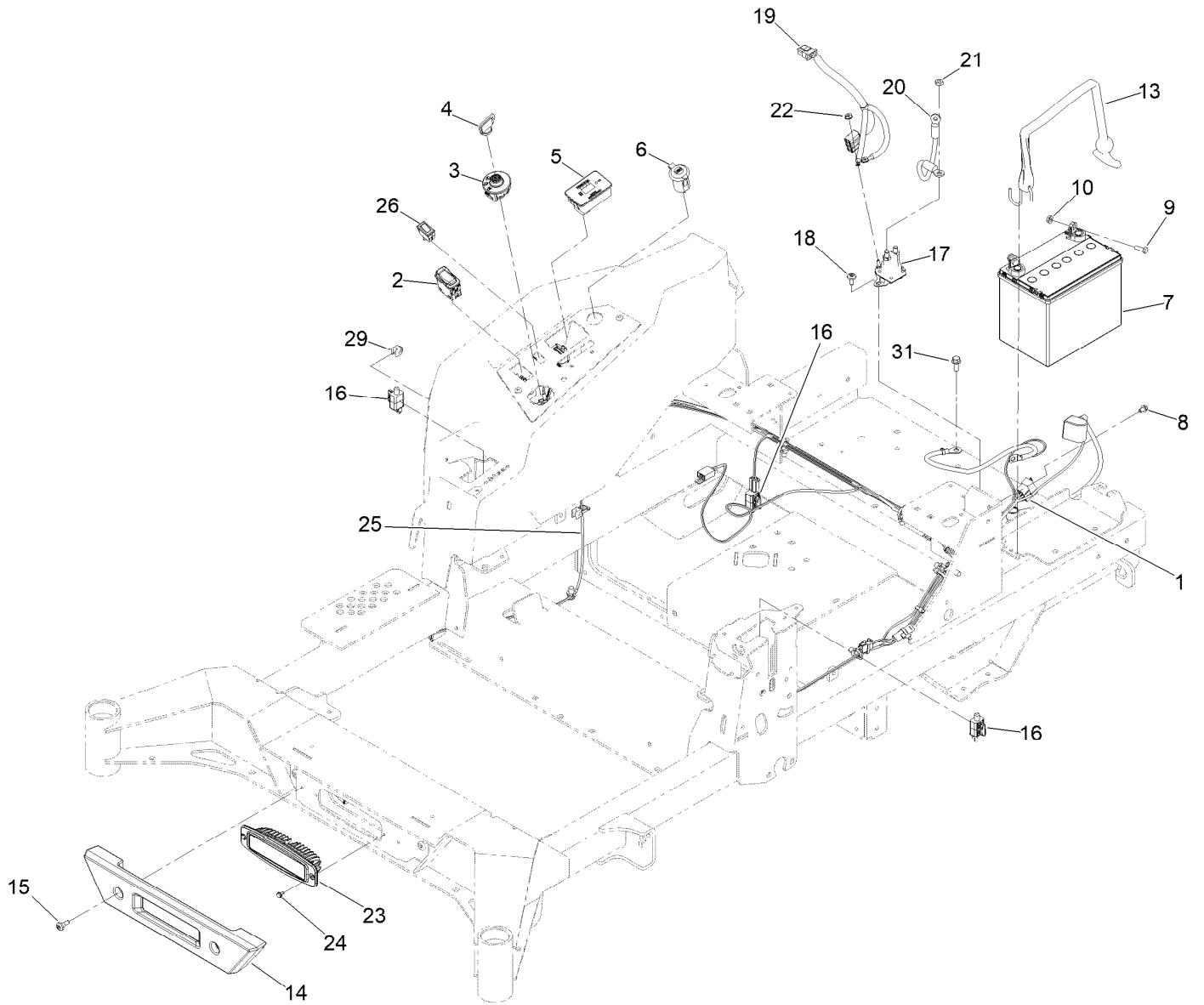
Rear Drive Wheel Assembly



Rear Drive Wheel Assembly (continued)

<i>Ref.</i>	<i>Part Number</i>	<i>Qty.</i>	<i>Description</i>	<i>Ref.</i>	<i>Part Number</i>	<i>Qty.</i>	<i>Description</i>
1	147-5030	2	ASM-Voodoo Trac 24X10.5-12	1:2	140-7969	1	Wheel
1:1	147-5033	1	Tire-Voodoo 24X10.5-12	1:3	232-27	1	Stem-Valve
				2	242-50	8	Nut-Lug

Electrical Assembly



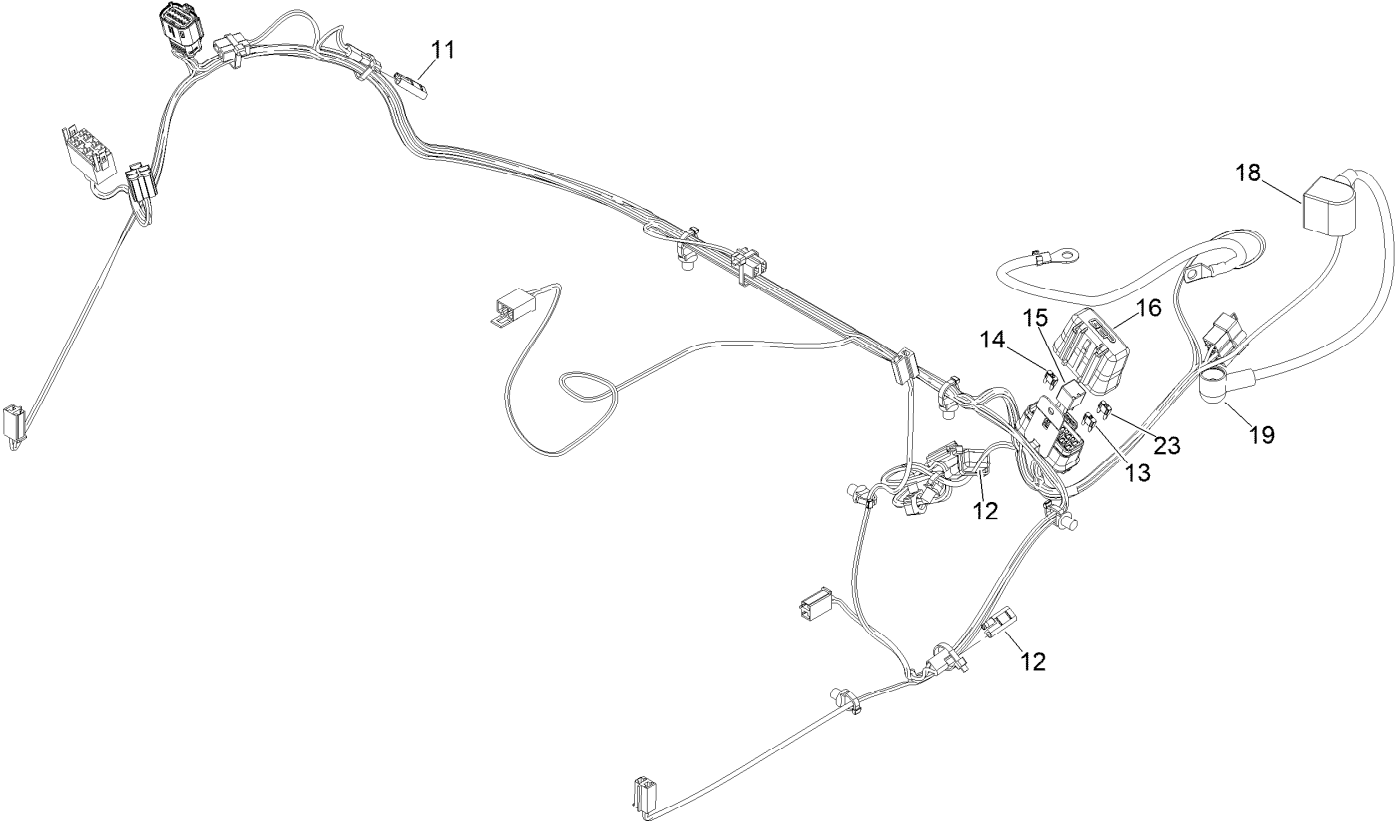
Electrical Assembly (continued)

<i>Ref.</i>	<i>Part Number</i>	<i>Qty.</i>	<i>Description</i>	<i>Ref.</i>	<i>Part Number</i>	<i>Qty.</i>	<i>Description</i>
1	147-2363	1	Harness-Wire, Zmaster	17	117-1197	1	Solenoid
2	139-6368	1	Switch-Rocker, On-None-On	18	126-6266	2	Screw-Tph
3	137-4100	1	Switch-Ignition	19	126-5036	1	Adapter-Harness, Wire
4	63-8360	1	Key-Ignition	20	100-3540	1	Cable-Battery, Positive
5	116-5609	1	Module ASM	21	3220-2	1	Nut-Hex Jam
6	140-7955	1	Port-Power, USB	22	32149-8	2	Nut-Keps
7	104-8162	1	Battery	23	139-8089	1	Light - Flush Mount
8	99-8445	1	Screw-HWH	24	104-2065	2	Screw-HWH
9	321-4	2	Screw-HH	25	140-1213	1	Harness-Wire, Light Kit
10	32128-33	2	Nut-HF	26	92-8875	1	Switch-Rocker
13	142-8697	1	Strap, Bungee	29	32180-082	1	Clip-Edge W/Tie, Perpendicular
14	140-4993	1	Bumper-Front	31	3234-14	1	Screw-HHF
15	135-2015	2	Screw-Shoulder	99	1-603511	1	Keys-Ignition (Spare Pair) ● ■
16	110-6765	3	Switch				

● Not illustrated

■ Optional Equipment

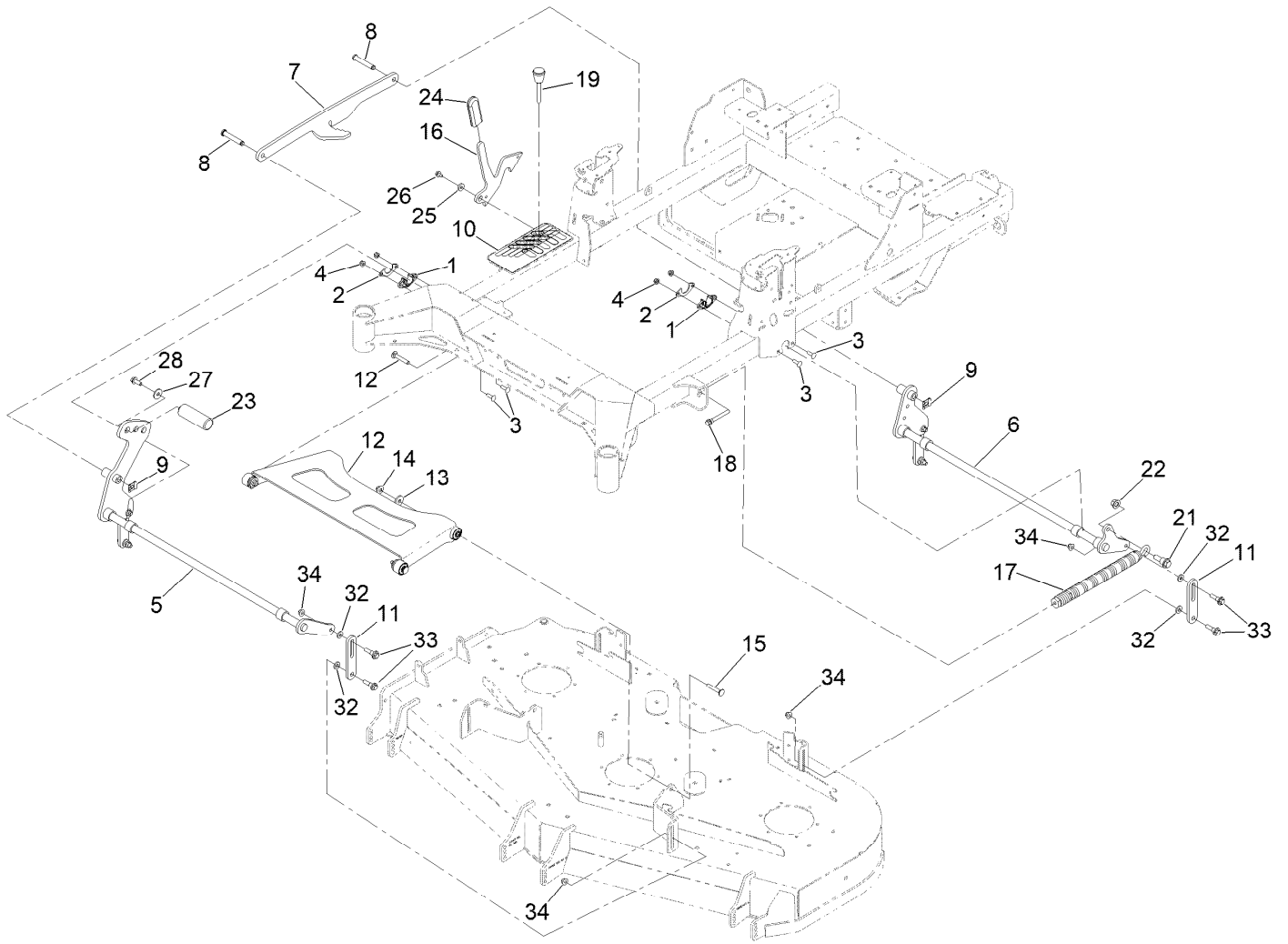
Wire Harness Assembly No. 147-2363



Wire Harness Assembly No. 147-2363 (continued)

<i>Ref.</i>	<i>Part Number</i>	<i>Qty.</i>	<i>Description</i>	<i>Ref.</i>	<i>Part Number</i>	<i>Qty.</i>	<i>Description</i>
11	116-0053	3	Cap-Plug	16	32180-176	1	Cover-Block, Fuse
12	103-3895	1	Diode	18	126-8876	1	Insulator-Battery
13	121-8867	1	Fuse-Mini Blade, 15 Amp	19	1-543393	1	Insulator-Solenoid
14	121-8868	1	Fuse-Mini Blade, 20 Amp	23	121-8869	1	Fuse-Mini Blade, 25 Amp
15	126-3991	1	Relay-Micro				

Deck Lift Assembly



Deck Lift Assembly (continued)

<i>Ref.</i>	<i>Part Number</i>	<i>Qty.</i>	<i>Description</i>	<i>Ref.</i>	<i>Part Number</i>	<i>Qty.</i>	<i>Description</i>
1	139-5872	4	Bearing-Flange	16	145-8475-03	1	Plate-Transport Lock
2	116-2887	4	Gusset-Lift, Deck	17	116-0886	1	Spring-Extension
3	3230-22	8	Screw-CARR	18	92-7674	1	Bolt-Shoulder
4	104-8300	8	Nut-HF, NI	19	126-5401	1	Pin-HOC
5	139-8050-03	1	Front Deck Lift Shaft ASM	21	116-0780	1	Screw-Shoulder, HHF
6	140-4975-03	1	Shaft-Lift, Deck	22	99-5107	1	Nut-HF Nylock
7	126-4639-03	1	Link-HOC	23	140-4959	1	Pedal-Foot Lift
8	126-9181	2	Pin-Clevis	24	132-4749	1	Grip-Lever
9	138-8491	2	Clip-Pin	25	104-7658	1	Spacer
10	147-2360	1	Decal-HOC	26	9266934	1	Screw
11	145-5702-03	4	Link-Lift, Deck	27	2844	1	Washer
12	140-1179	1	Deck Strut W/ Bushings ASM	28	3234-42	1	Screw-HHF
13	1-373034	2	Washer	32	43-0940	8	Spacer
14	109-6658	2	Nut-Flange, NI	33	130-0742	8	Bolt-Shoulder
15	3231-7	2	Screw-CARR	34	104-8301	8	Nut-HF, NI

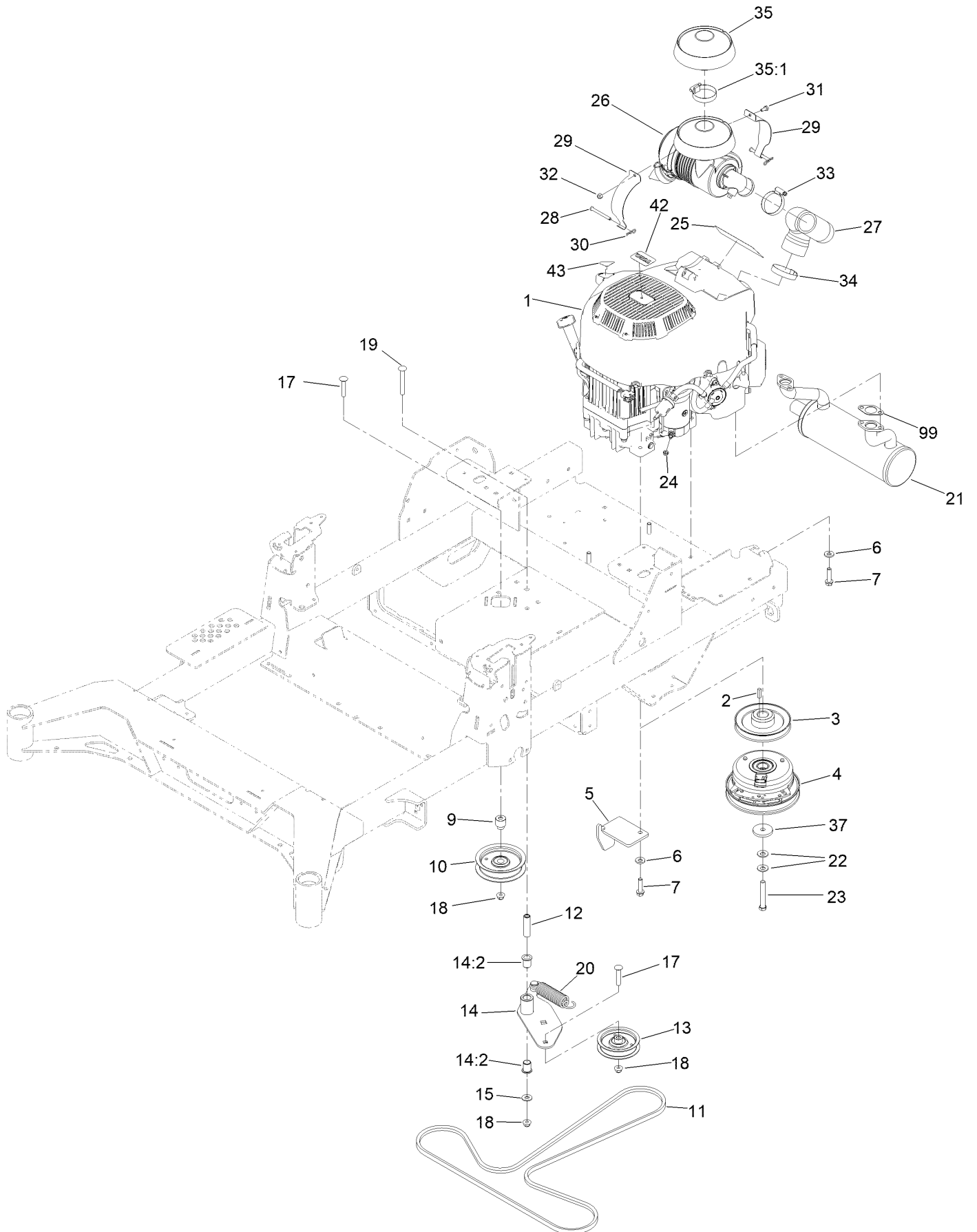
Deck Strut Assembly No. 140-1179



Deck Strut Assembly No. 140-1179 (continued)

<i>Ref.</i>	<i>Part Number</i>	<i>Qty.</i>	<i>Description</i>	<i>Ref.</i>	<i>Part Number</i>	<i>Qty.</i>	<i>Description</i>
2	126-8360	4	Bushing-Rubber, Suspension	4	3231-7	2	Screw-CARR
3	108-6544	4	Spacer	5	2844	2	Washer
				6	104-8301	2	Nut-HF, NI

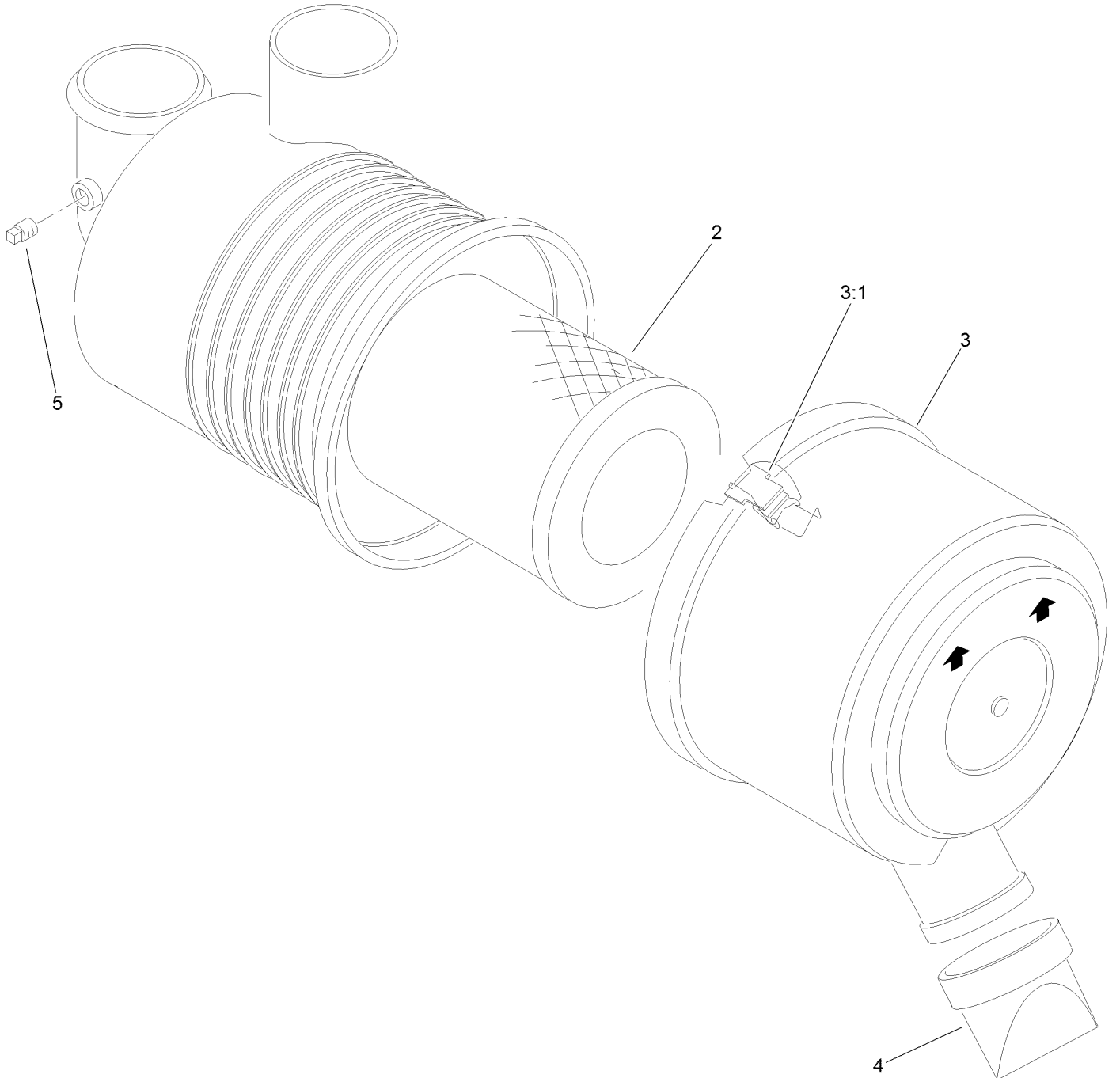
Engine, Clutch and Muffler Assembly



Engine, Clutch and Muffler Assembly (continued)

<i>Ref.</i>	<i>Part Number</i>	<i>Qty.</i>	<i>Description</i>	<i>Ref.</i>	<i>Part Number</i>	<i>Qty.</i>	<i>Description</i>
1	136-7823	1	Engine-2P77F-HD	21	126-5864	1	Muffler
2	1-807259	1	Key	22	1-603610	2	Washer-Spring
3	138-6007	1	Sheave-Engine	23	126-7198	1	Screw-HH W/Loctite
4	147-2400	1	Clutch 6.75, 105 Ftlb, 1.00 Dd	24	33003-00	1	Nut-HF
5	140-1190	1	Anchor-Clutch	25	140-2715	1	Decal
6	98-5975	4	Washer-Belleville	26	93-2190	1	Air Cleaner ASM
7	32144-102	4	Screw-HWH	27	136-9242	1	Hose-Intake
9	126-7684	1	Bushing-Idler	28	137-2011	2	Pin-Clevis
10	132-4718	1	Pulley-Idler, Flat	29	136-9243	2	Strap-Canister, Air
11	145-5727	1	Belt-V	30	1-806003	2	Pin-Cotter
12	139-6690	1	Bushing, Idler Pivot	31	137-3041	1	Screw-HH
13	140-4964	1	Pulley-Idler, Flat	32	137-3088	1	Nut-Hex
14	145-5731	1	Idler Arm ASM	33	1-643009	1	Clamp-Hose
14:2	138-2573	1	Bushing-Flange	34	2412-130	1	Clamp-Hose
15	3256-4	1	Washer-Flat	35	136-7859	1	Rain Cap Kit
17	117-9971	2	Bolt-Carriage	35:1	1-643009	1	Clamp-Hose
18	104-8301	3	Nut-HF, NI	37	109-6919	1	Washer-Plain
19	3231-42	1	Screw-CARR	42	110-1136	1	Decal
20	138-7264	1	Spring-Extension	43	131-1097	1	Decal-Drain, Oil
				99	120-4317	2	Gasket-Exhaust

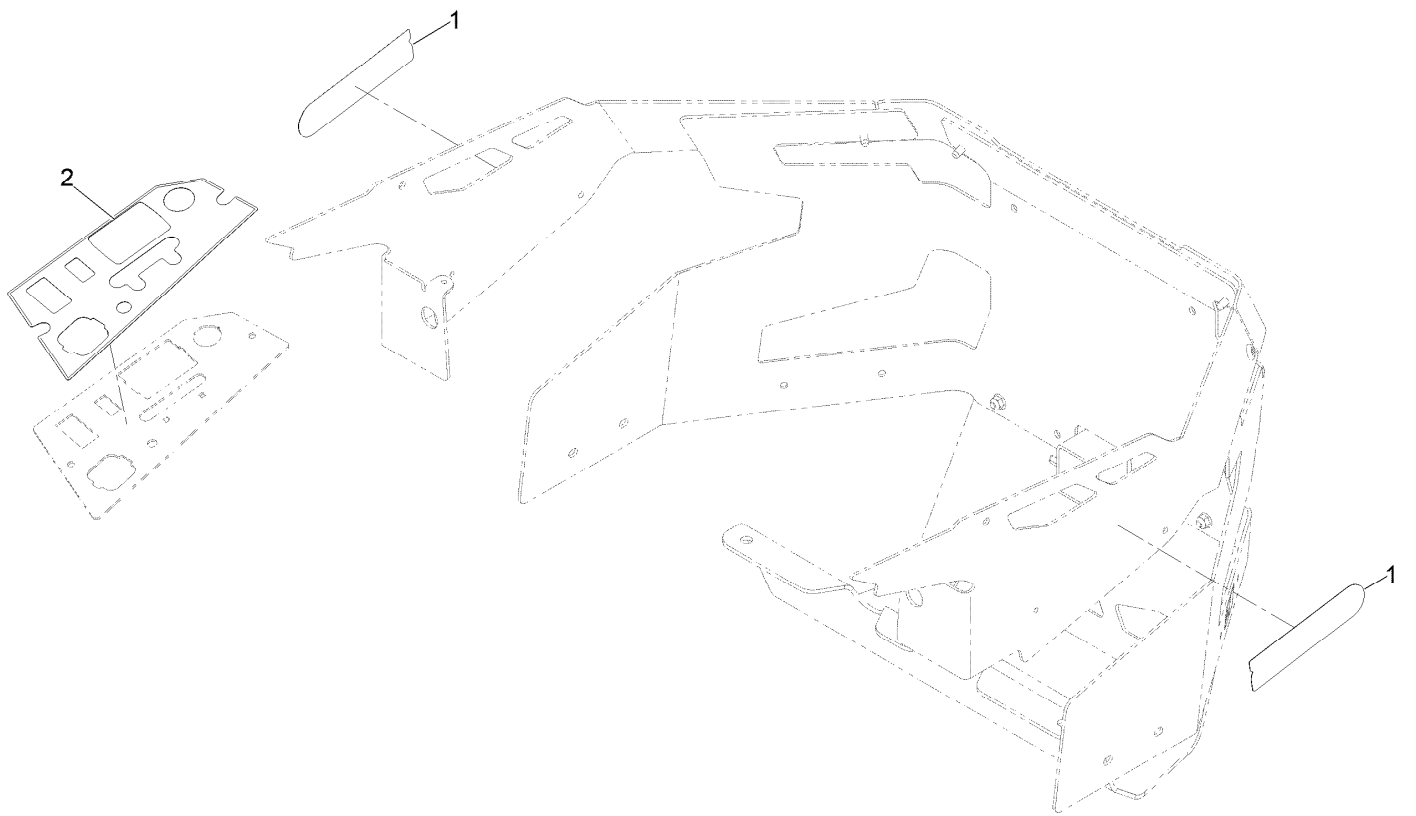
Air Cleaner Assembly No. 93-2190



Air Cleaner Assembly No. 93-2190 (continued)

<i>Ref.</i>	<i>Part Number</i>	<i>Qty.</i>	<i>Description</i>	<i>Ref.</i>	<i>Part Number</i>	<i>Qty.</i>	<i>Description</i>
2	108-3811	1	Filter-Air V-Twin HD	4	87-9400	1	Valve-Vacuator
3	94-3652	1	Cover ASM	5	285-17	1	Plug-Pipe
3:1	1-643283	2	Latch-Cleaner, Air				

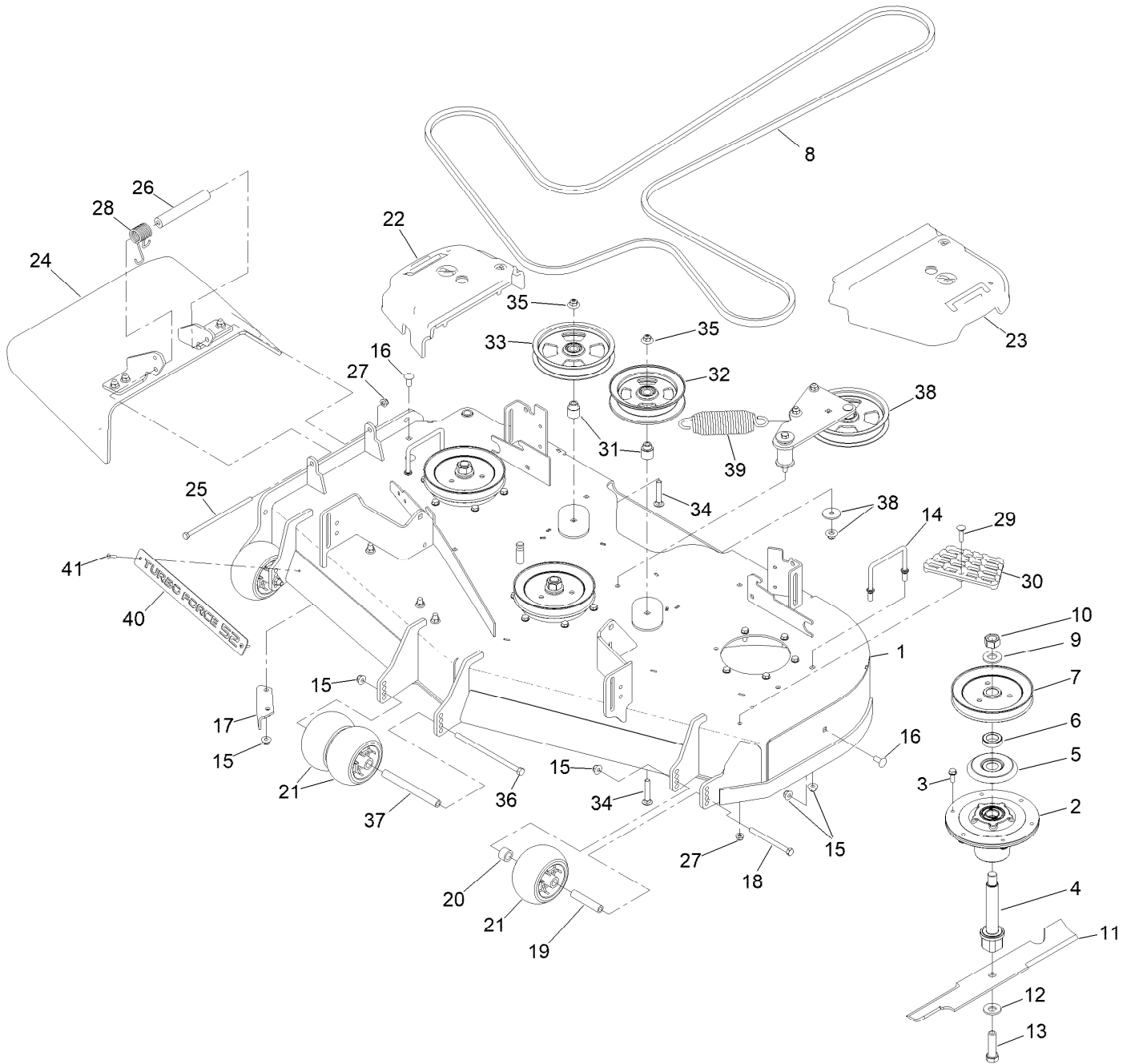
Decal Assembly



Decal Assembly (continued)

<i>Ref.</i>	<i>Part Number</i>	<i>Qty.</i>	<i>Description</i>
1	145-8407	2	Decal-2000 Series
2	147-4953	1	Decal-Panel, Control

Deck Assembly



Deck Assembly (continued)

<i>Ref.</i>	<i>Part Number</i>	<i>Qty.</i>	<i>Description</i>	<i>Ref.</i>	<i>Part Number</i>	<i>Qty.</i>	<i>Description</i>
1	147-7372	1	Deck Decal ASM	21	1-603299	4	Roller-Scalp, Anti
2	139-2357	3	Spindle ASM	22	109-6935	1	Cover-Belt, RH
3	32144-41	18	Screw-Taptite	23	109-6936	1	Cover-Belt, LH
4	133-2126	3	Shaft-Spindle	24	144-2635	1	Rubber Deflector ASM
5	117-7210	3	Shield-Bearing	25	322-50	1	Screw-HH
6	147-2381	3	Spacer-Pulley	26	105-4622	1	Spacer
7	138-6058	3	Sheave-Blade Drive 6.50	27	104-8300	2	Nut-HF, NI
8	144-0356	1	Belt-V	28	108-4052	1	Spring-Torsion
9	103-2802	3	Washer	29	3230-3	1	Screw-CARR
10	116-7306	3	Nut-Hex	30	126-4781-03	1	Step-Deck
11	133-2134	3	Blade-Rotary, 18.0In (Hi Flow)	31	139-8061	2	Bushing, Idler
12	125-1736	3	Washer-Belleville	32	132-9425	1	Pulley-Idler, Flat
13	51-4060	3	Screw-Blade	33	132-9424	1	Pulley-Idler, Flat
14	109-6982	2	Wireform-Cover	34	3231-7	2	Screw-CARR
15	104-8301	15	Nut-HF, NI	35	109-6658	2	Nut-Flange, NI
16	3231-27	8	Screw-CARR	36	108-5388	1	Screw-HH
17	107-8541-01	1	Baffle-Discharge	37	98-5967	1	Spacer-Wheel
18	323-23	2	Screw-HH	38	139-1087	1	Idler Arm ASM
19	133-2129	2	Tube-Shafting	39	116-6317	1	Spring-Extension
20	133-2128	2	Tube-Spacer	40	147-4975-03	1	Plate-Turbo Force
				41	130-8451	2	Rivet-Trifold

Deck Decal Assembly No. 147-7372



Deck Decal Assembly No. 147-7372 (continued)

<i>Ref.</i>	<i>Part Number</i>	<i>Qty.</i>	<i>Description</i>	<i>Ref.</i>	<i>Part Number</i>	<i>Qty.</i>	<i>Description</i>
1		1	ASM-Deck W/Decals ●	1:4	93-7818	1	Decal-Torque, Blade Bolt
1:2	117-3848	2	Decal-Danger	1:5	109-6035	1	Decal-Routing, Belt
1:3	127-0326	1	Decal-Scalp, Anti				

● Not serviced separately

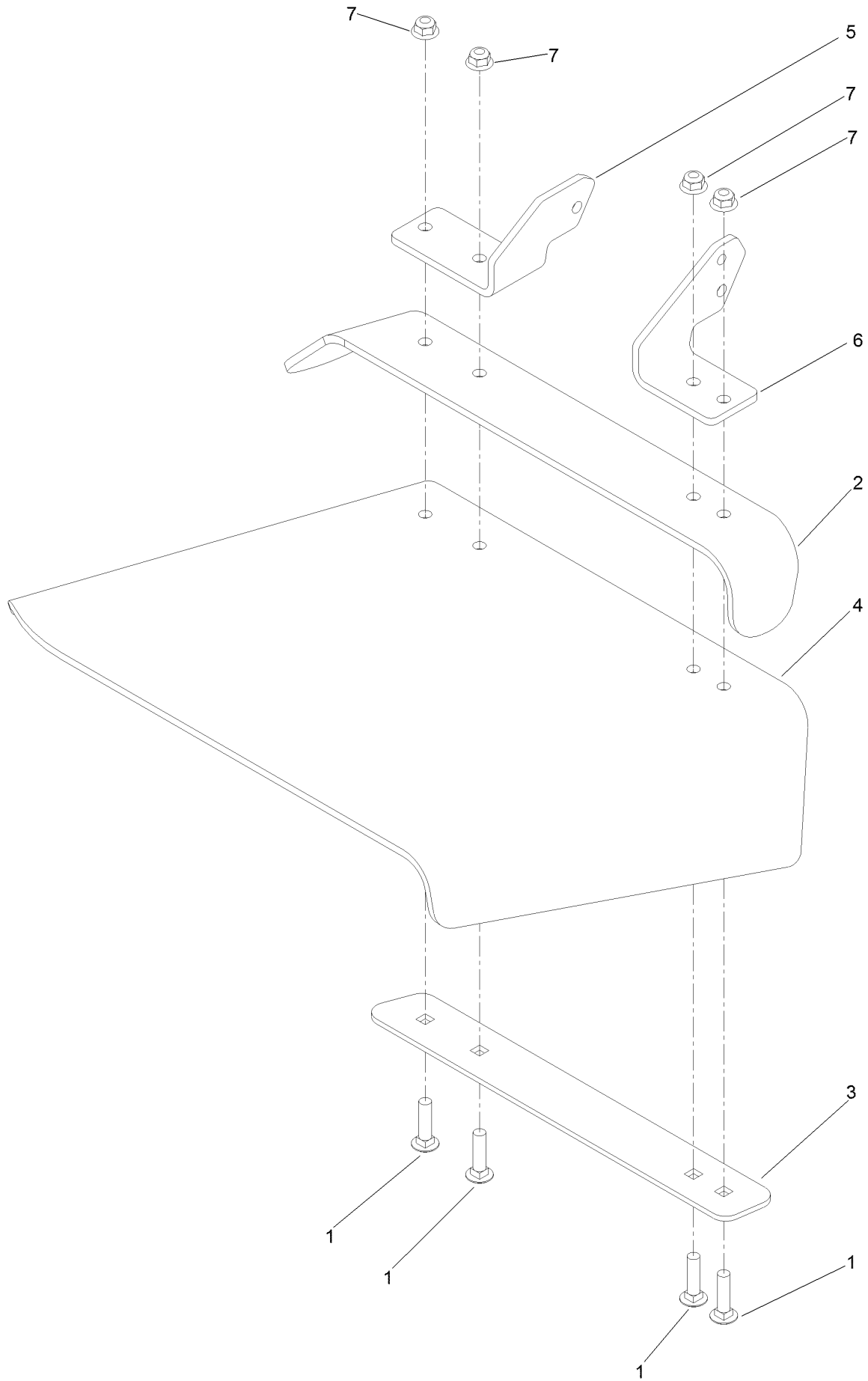
Spindle Assembly No. 139-2357



Spindle Assembly No. 139-2357 (continued)

<i>Ref.</i>	<i>Part Number</i>	<i>Qty.</i>	<i>Description</i>
2	116-0720	2	Bearing-Ball
3	138-7220	1	Spacer-Bearing

Deflector Assembly No. 144-2635



Deflector Assembly No. 144-2635 (continued)

<i>Ref.</i>	<i>Part Number</i>	<i>Qty.</i>	<i>Description</i>	<i>Ref.</i>	<i>Part Number</i>	<i>Qty.</i>	<i>Description</i>
1	3231-4	4	Screw-CARR	5	108-4059-01	1	Plate-Hinge, Rear
2	106-3246-01	1	Deflector	6	106-3253-01	1	Plate-Hinge, Front
3	106-3248-03	1	Strap-Discharge	7	104-8301	4	Nut-HF, NI
4	139-8114	1	Deflector-Deck, Rubber				

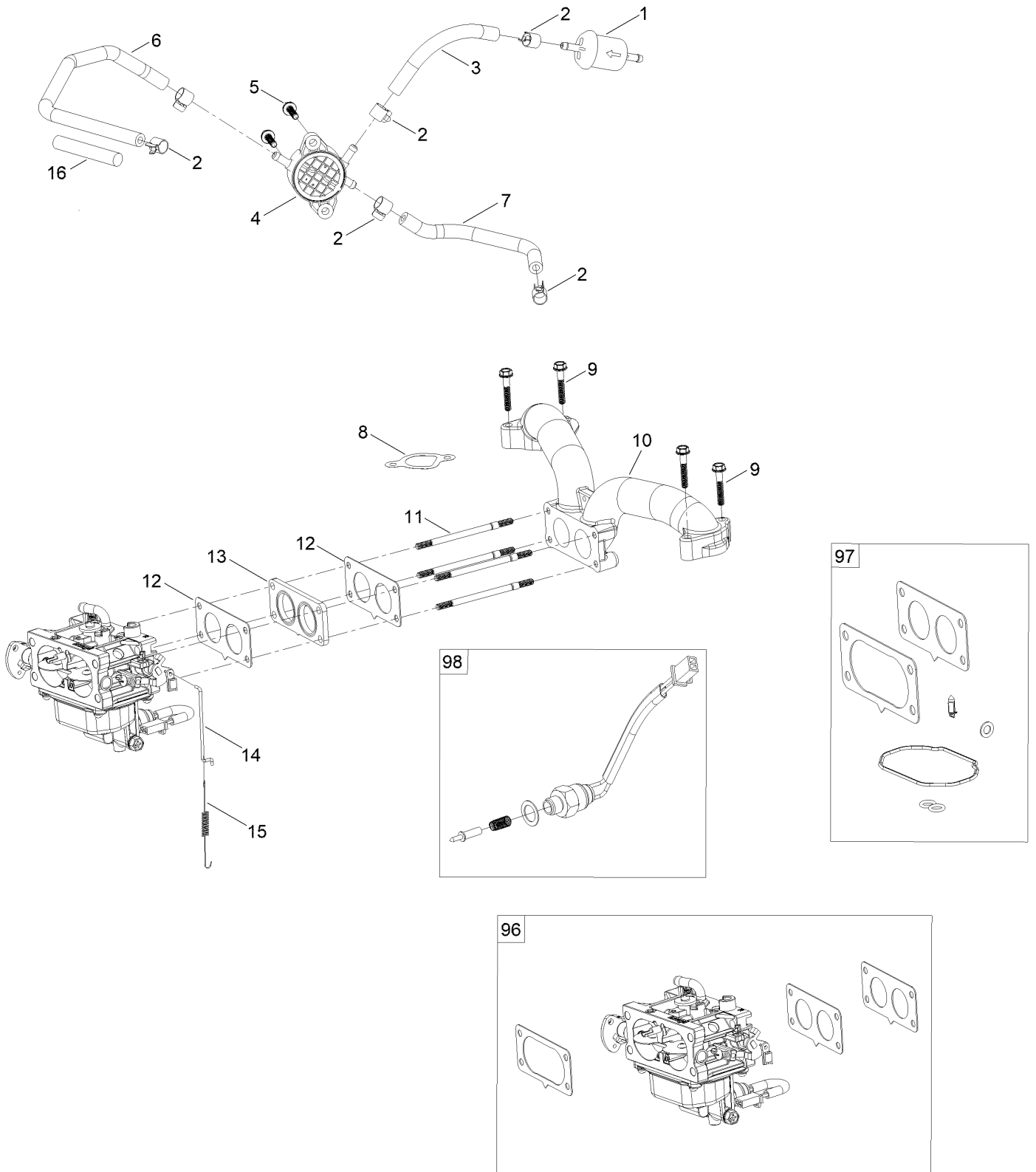
Idler Arm Assembly No. 139-1087



Idler Arm Assembly No. 139-1087 (continued)

<i>Ref.</i>	<i>Part Number</i>	<i>Qty.</i>	<i>Description</i>	<i>Ref.</i>	<i>Part Number</i>	<i>Qty.</i>	<i>Description</i>
1	139-1086	1	Idler Arm ASM	7	109-6658	3	Nut-Flange, NI
2	138-2573	2	Bushing-Flange	8	323-15	1	Screw-HH
3	139-8060	1	Bushing, Idler	9	3231-5	1	Screw-CARR
4	132-9424	1	Pulley-Idler, Flat	10	132-4729	1	Anchor-Spring, Short
5	139-6690	1	Bushing, Idler Pivot	11	136-9028	1	Bolt-Shoulder, HWH
6	1-213069	3	Washer	12	104-8301	1	Nut-HF, NI

Fuel System Assembly

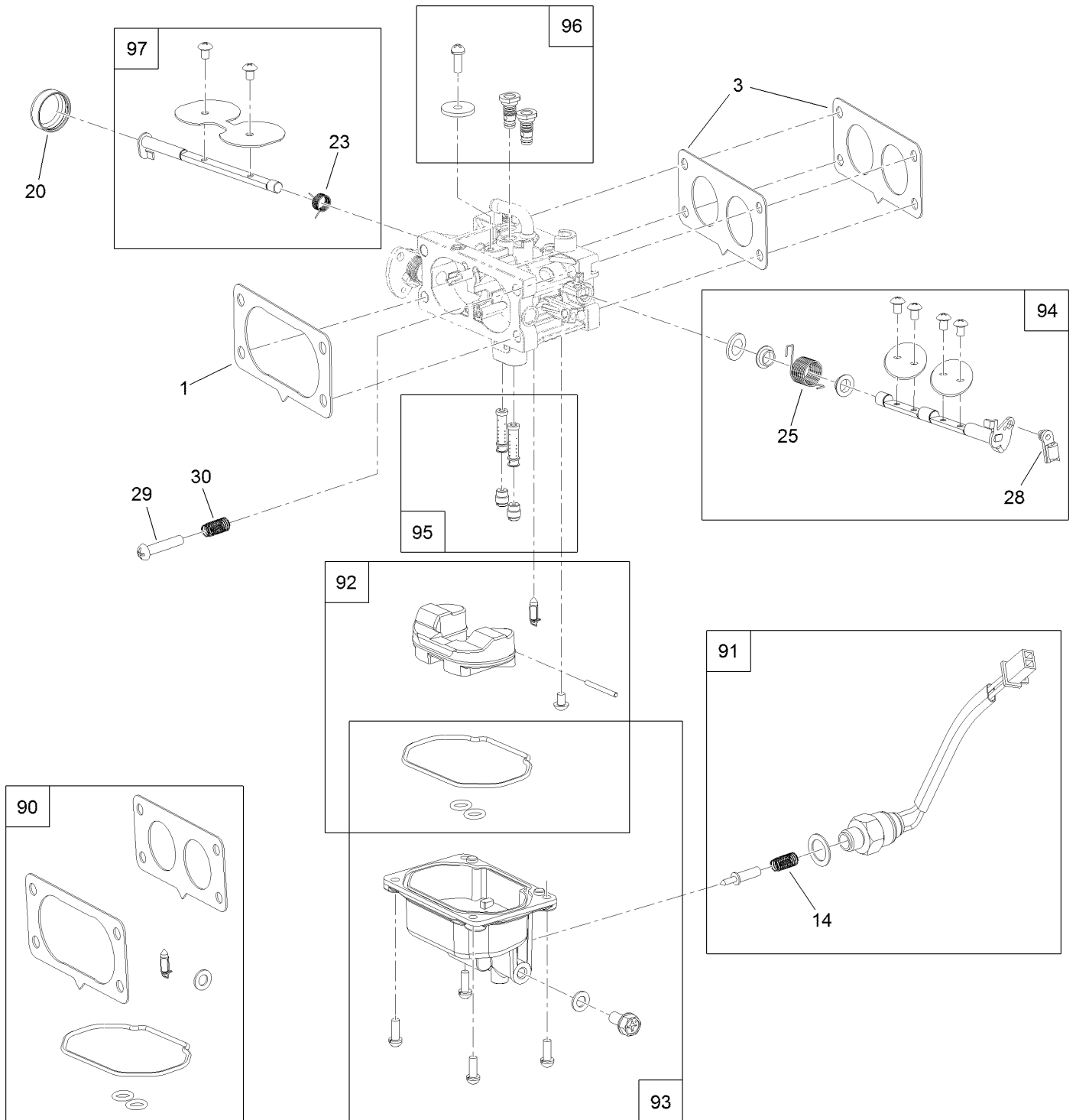


Fuel System Assembly (continued)

<i>Ref.</i>	<i>Part Number</i>	<i>Qty.</i>	<i>Description</i>	<i>Ref.</i>	<i>Part Number</i>	<i>Qty.</i>	<i>Description</i>
1	139-0717	1	Filter-Fuel	12	127-9246	2	Gasket-Carburetor
2	139-0719	6	Clamp-Fuel Hose	13	127-9247	1	Insulator-Carburetor
3	120-4371	1	Hose-Fuel	14	133-9963	1	Linkage-Throttle
4	139-0684	1	Pump-Fuel	15	133-9964	1	Spring-Return, Throttle
5	120-4225	2	Screw-HHF	16	127-9355	1	Sleeve-Fuel Line Protector
6	127-9205	1	Hose-Fuel	96	136-7842	1	Carburetor Replacement Kit ASM
7	127-9207	1	Hose-Fuel	97	127-9290	1	Carburetor Repair Kit
8	127-9230	2	Gasket-Intake	98	127-9292	1	Solenoid Kit
9	120-4284	4	Screw-HHF	99	136-7838	1	High Altitude Kit ●
10	127-9244	1	Manifold-Intake				
11	127-9245	4	Stud				

● Not illustrated

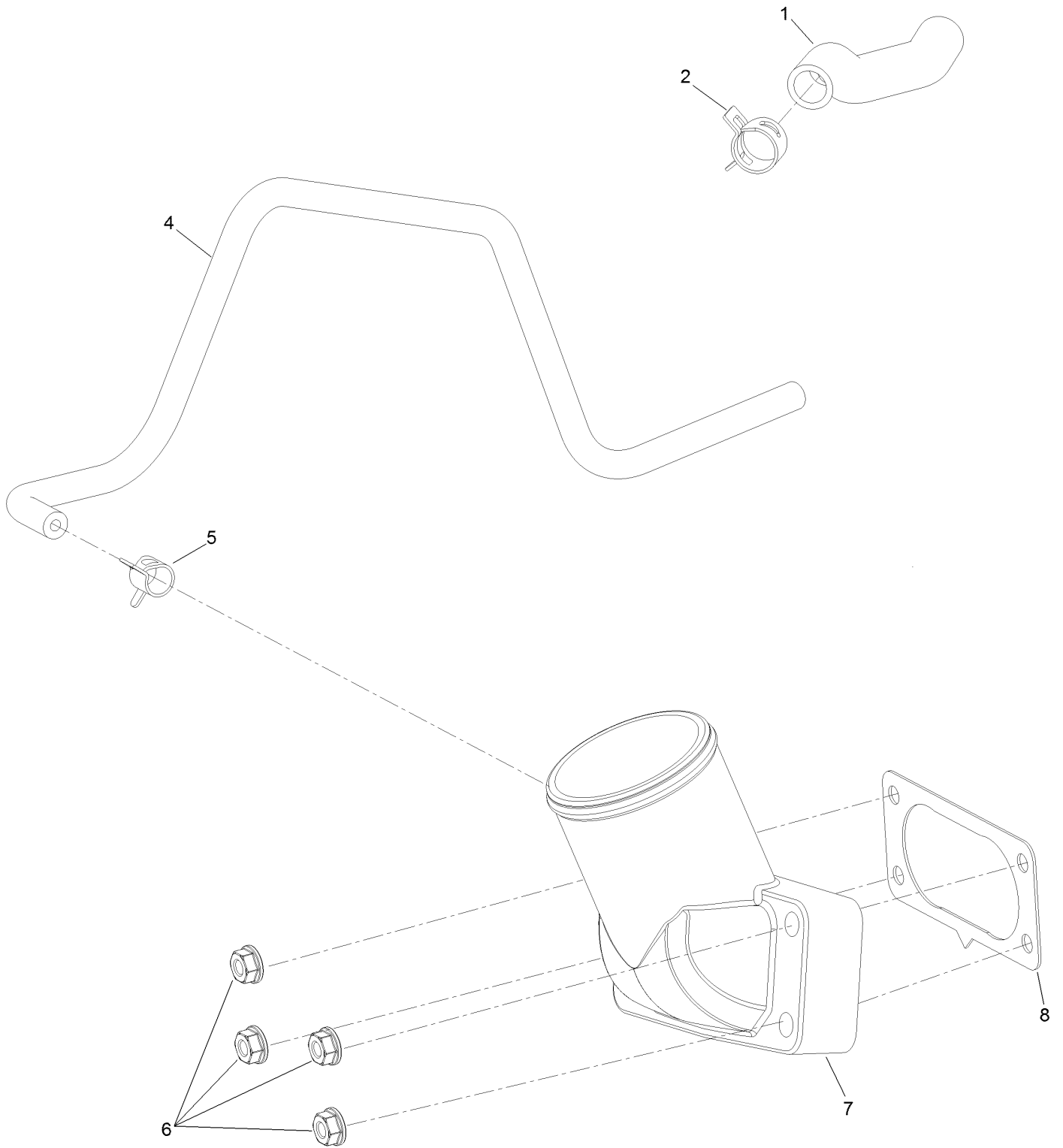
Carburetor Assembly



Carburetor Assembly (continued)

<i>Ref.</i>	<i>Part Number</i>	<i>Qty.</i>	<i>Description</i>	<i>Ref.</i>	<i>Part Number</i>	<i>Qty.</i>	<i>Description</i>
1	127-9251	1	Gasket-Carburetor	90	127-9290	1	Carburetor Repair Kit
3	127-9246	2	Gasket-Carburetor	91	127-9292	1	Solenoid Kit
14	127-9319	1	Spring	92	127-9340	1	Float Kit
20	127-9325	1	Cover-Shaft, Choke	93	127-9341	1	Bowl Kit
23	127-9328	1	Spring	94	133-9817	1	Throttle Shaft Kit
25	127-9330	1	Spring	95	136-7846	1	Nozzle And Jet Kit
28	127-9333	1	Clamp-Lock	96	136-7899	1	Idle Jet Kit
29	127-9334	1	Screw-PPH	97	127-9345	1	Choke Shaft Kit
30	127-9335	1	Spring				

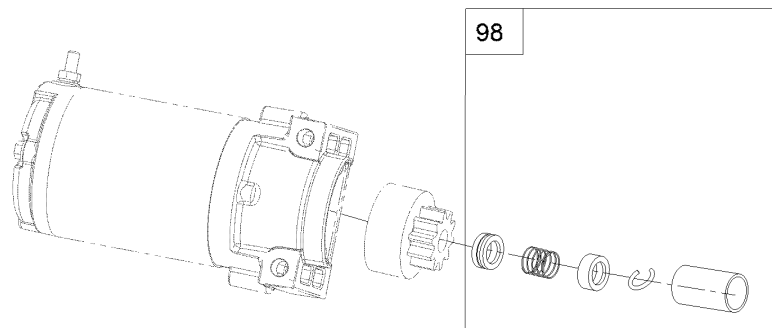
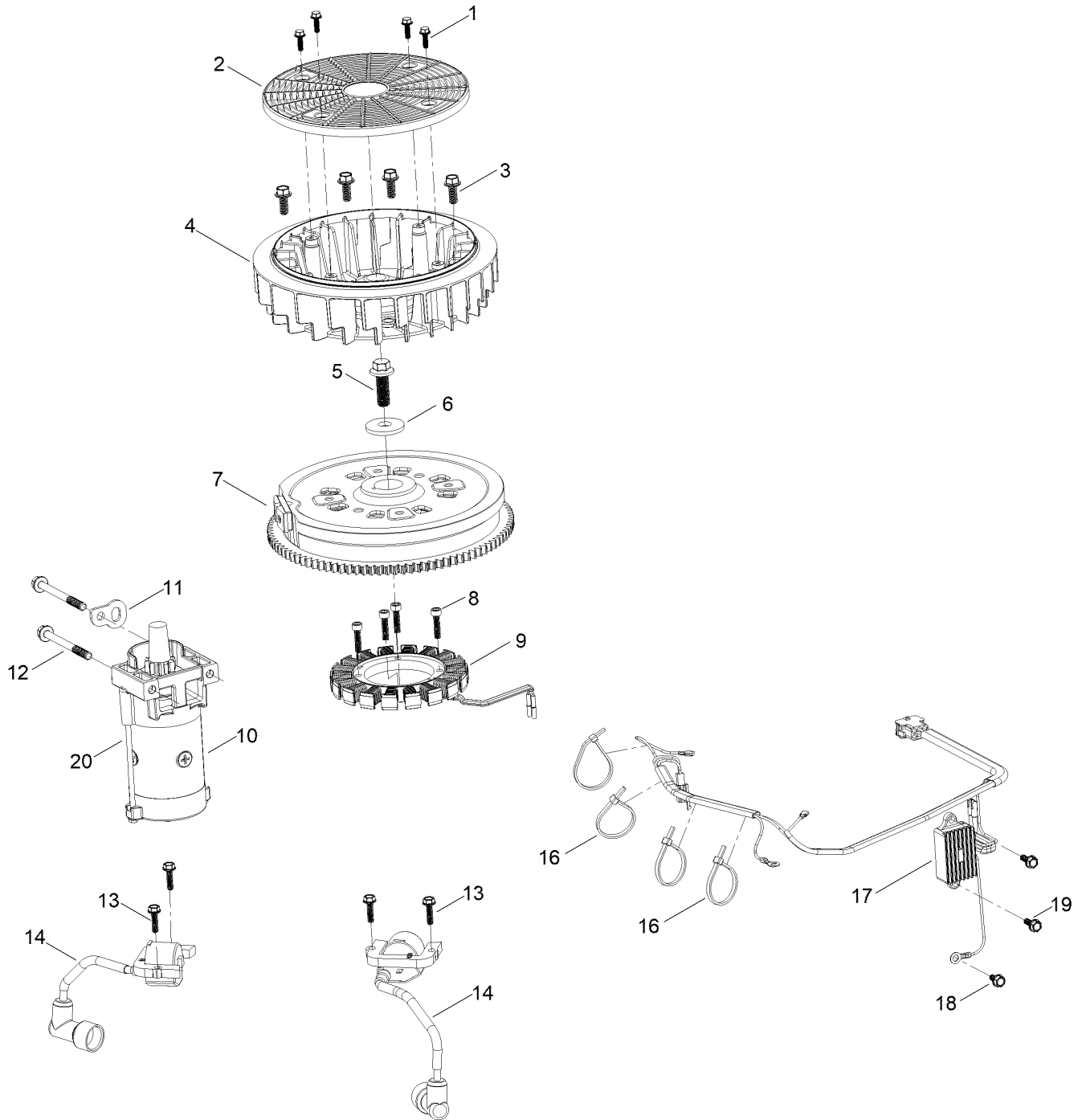
Air Intake and Filtration Assembly



Air Intake and Filtration Assembly (continued)

<i>Ref.</i>	<i>Part Number</i>	<i>Qty.</i>	<i>Description</i>	<i>Ref.</i>	<i>Part Number</i>	<i>Qty.</i>	<i>Description</i>
1	127-9235	1	Tube-Breather	6	120-4236	4	Nut-Flange
2	127-9234	2	Clamp-Hose	7	136-9241	1	Manifold-Intake
4	127-9253	1	Hose-Fuel	8	127-9251	1	Gasket-Carburetor
5	127-9187	1	Clamp-Hose				

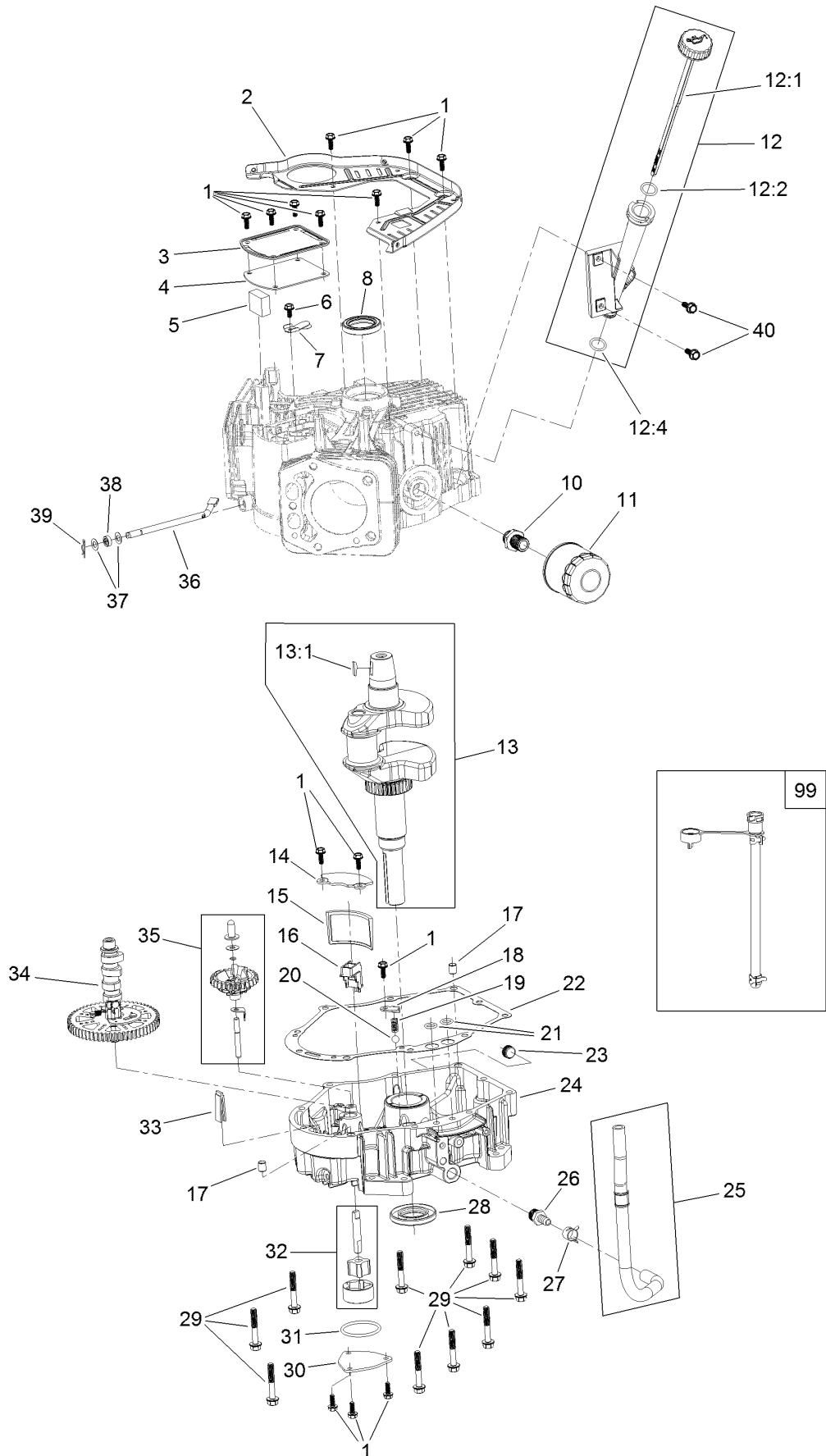
Ignition and Cooling Fan Assembly



Ignition and Cooling Fan Assembly (continued)

<i>Ref.</i>	<i>Part Number</i>	<i>Qty.</i>	<i>Description</i>	<i>Ref.</i>	<i>Part Number</i>	<i>Qty.</i>	<i>Description</i>
1	127-9197	4	Screw-HWH	12	120-4231	2	Screw-HHF
2	127-9198	1	Screen-Rotating	13	121-0007	4	Bolt-Flange
3	127-9199	4	Screw-HWH	14	139-0720	2	Ignition Coil ASM
4	127-9200	1	Fan-Cooling	16	127-9220	4	Tie-Zip
5	127-9201	1	Screw-HWH	17	136-7879	1	Regulator-Voltage, W/Harness
6	127-9202	1	Washer-Spring	18	120-4216	1	Screw-HHF
7	127-9306	1	Flywheel	19	120-4232	2	Screw-HHF
8	127-9210	4	Screw-HSH	20	133-1562	1	Pinion-Starter
9	136-7876	1	Alternator	98	133-1566	1	Starter Repair Kit
10	136-7880	1	Motor-Starter				
11	127-9208	1	Bracket-Lift				

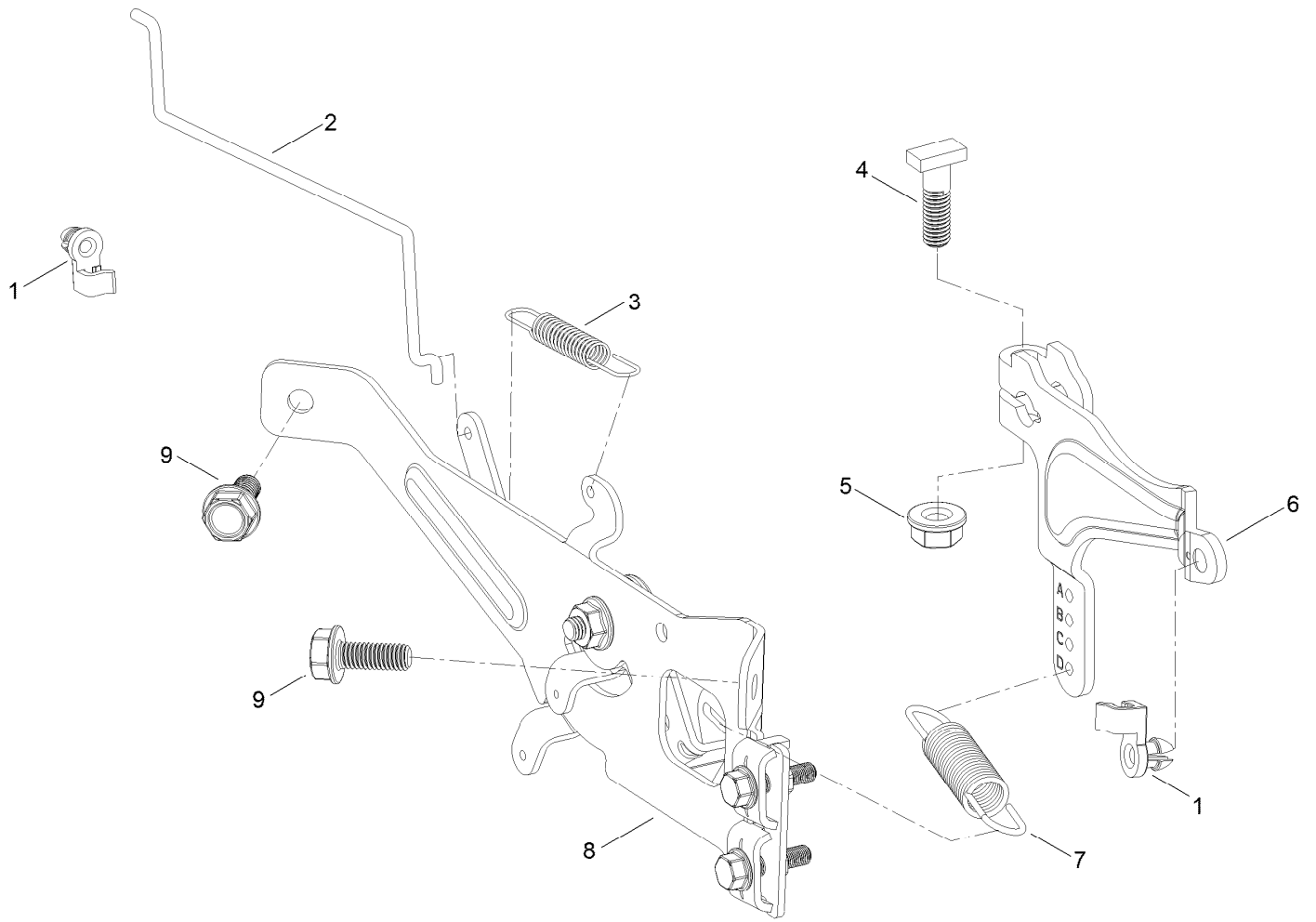
Crankcase and Crankshaft Assembly



Crankcase and Crankshaft Assembly (continued)

<i>Ref.</i>	<i>Part Number</i>	<i>Qty.</i>	<i>Description</i>	<i>Ref.</i>	<i>Part Number</i>	<i>Qty.</i>	<i>Description</i>
1	120-4232	14	Screw-HHF	20	127-9266	1	Valve-Ball
2	127-9212	1	Baffle	21	120-4262	2	O-Ring
3	127-9213	1	Cover-Breather	22	127-9267	1	Gasket-Cover, Crankcase
4	127-9214	1	Gasket-Breather	23	133-9805	1	Plug-Drain
5	127-9215	1	Filter-Breather	24	133-9806	1	Cover-Crankcase
6	120-4216	1	Screw-HHF	25	127-9293	1	Oil Drain Hose ASM
7	127-9217	1	Valve-Breather	26	127-9275	1	Fitting-Hose
8	120-4267	1	Seal-Oil	27	127-9276	1	Clamp-Hose
10	136-7884	1	Adaptor-Filter, Oil	28	127-9271	1	Seal
11	136-7848	1	Filter-Oil	29	121-0473	10	Screw-HHF
12	127-9218	1	Oil Tube ASM	30	127-9274	1	Cover-Oil Pump
12:1	127-9283	1	Dipstick	31	127-9273	1	O-Ring
12:2	127-9284	1	O-Ring	32	127-9272	1	Oil Pump ASM
12:4	127-9286	1	O-Ring	33	120-4275	1	Deflector-Oil, Rubber
13	127-9255	1	Crankshaft	34	133-1568	1	Camshaft
13:1	120-4320	1	Key-Woodruff	35	136-7882	1	Governor ASM
14	127-9261	1	Cover-Screen, Oil	36	127-9238	1	Shaft-Governor
15	127-9262	1	Screen-Oil	37	120-4258	2	Washer-Plain
16	127-9263	1	Retainer-Screen	38	120-4257	1	Seal-Oil
17	120-4274	2	Pin-Dowel	39	120-4256	1	Pin-Hair
18	127-9264	1	Plate-Retainer	40	120-4232	2	Screw-HHF
19	127-9265	1	Spring	99	144-0976	1	Oil Drain Service Kit

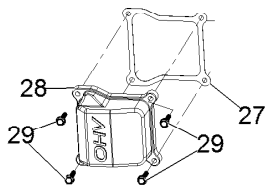
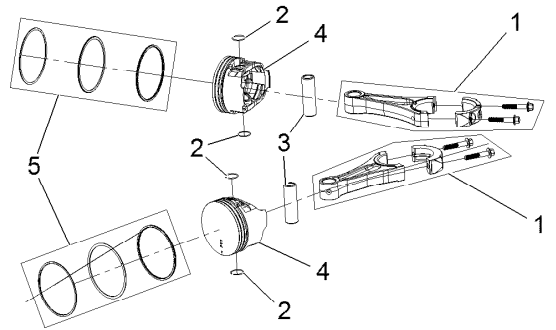
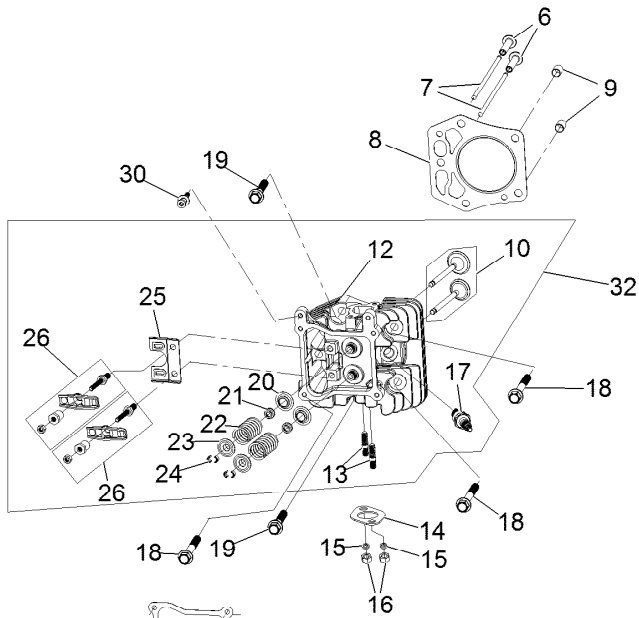
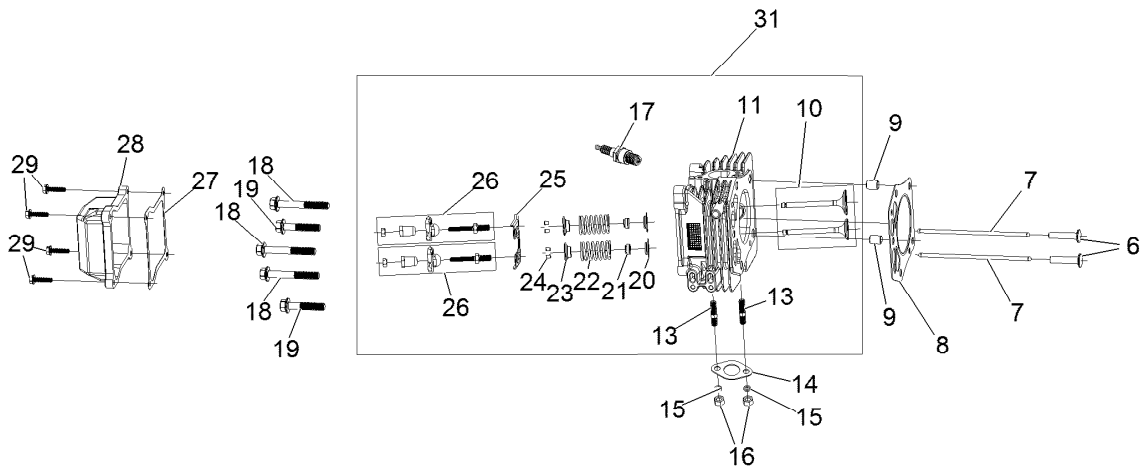
Governor Control Assembly



Governor Control Assembly (continued)

<i>Ref.</i>	<i>Part Number</i>	<i>Qty.</i>	<i>Description</i>	<i>Ref.</i>	<i>Part Number</i>	<i>Qty.</i>	<i>Description</i>
1	127-9250	2	Clip-Linkage	6	133-9961	1	Arm-Governor
2	127-9242	1	Linkage-Choke	7	133-9962	1	Spring-Governor
3	127-9241	1	Spring-Governor	8	133-1570	1	Control Plate ASM
4	120-4238	1	Bolt-Arm, Governor	9	120-4232	2	Screw-HHF
5	120-4236	1	Nut-Flange				

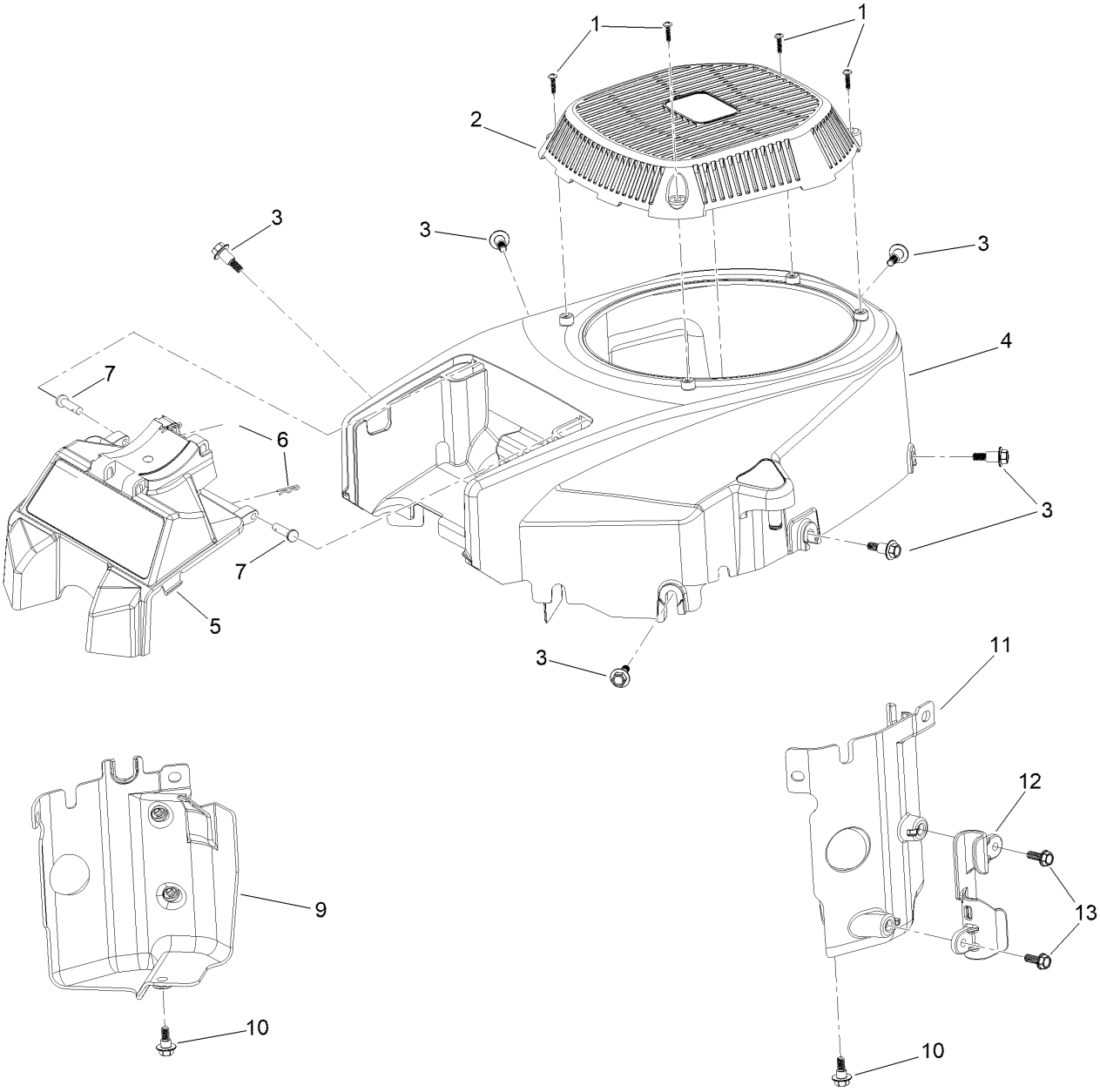
Piston and Cylinder Head Assembly



Piston and Cylinder Head Assembly (continued)

<i>Ref.</i>	<i>Part Number</i>	<i>Qty.</i>	<i>Description</i>	<i>Ref.</i>	<i>Part Number</i>	<i>Qty.</i>	<i>Description</i>
1	127-9256	2	Connecting Rod ASM	17	81-3250	2	Spark Plug
2	127-9258	4	Clip-Pin, Piston	18	127-9231	6	Screw-HWH
3	127-9257	2	Pin-Piston	19	127-9232	4	Screw-HWH
4	127-9259	2	Piston	20	120-4303	4	Seat-Spring, Valve
5	127-9260	2	Piston Ring Set	21	120-4304	4	Seal-Stem, Valve
6	127-9224	4	Lifter-Valve	22	120-4305	4	Spring-Valve
7	127-9225	4	Rod-Push	23	120-4306	4	Retainer-Spring, Valve
8	127-9226	2	Gasket-Head, Cylinder	24	120-4307	8	Keeper-Valve
9	127-9227	4	Pin-Dowel	25	127-9233	2	Plate-Guide, Push Rod
10	127-9228	2	Valve Set	26	136-7881	4	Rocker Arm ASM
11	133-9804	1	Head-Cylinder, Left	27	127-9295	2	Gasket-Valve Cover
12	133-9802	1	Head-Cylinder, Right	28	127-9050	2	Cover-Valve
13	121-0464	4	Stud-Exhaust	29	120-4225	8	Screw-HHF
14	120-4317	2	Gasket-Exhaust	30	120-4214	1	Screw-Shoulder, HH
15	127-9279	4	Washer-Lock, Split	31	136-7892	1	Complete Left Head ASM
16	121-0199	4	Nut-HH	32	136-7891	1	Complete Right Head ASM

Blower Housing Assembly

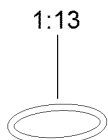
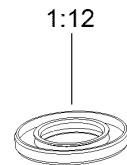
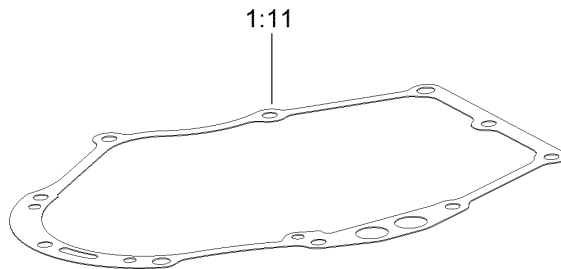
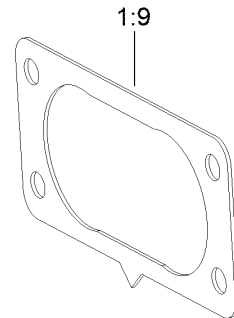
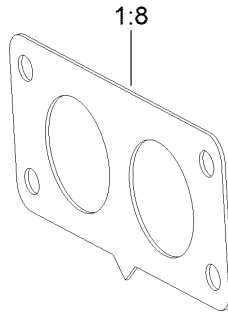
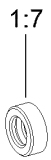
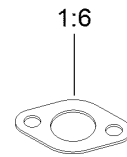
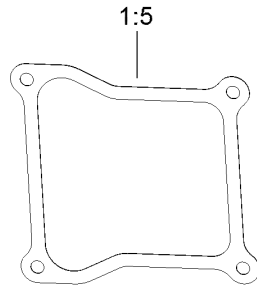
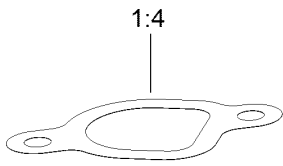
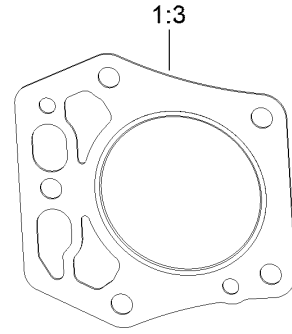
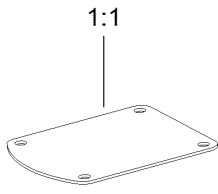


Blower Housing Assembly (continued)

<i>Ref.</i>	<i>Part Number</i>	<i>Qty.</i>	<i>Description</i>	<i>Ref.</i>	<i>Part Number</i>	<i>Qty.</i>	<i>Description</i>
1	133-1571	4	Screw-PPH, Plastic	7	127-9282	2	Pin
2	127-9045	1	Cover-Fan	9	136-7877	1	Baffle-Air, Left
3	127-9196	6	Screw-Shoulder, HWH	10	120-4210	2	Screw-Shoulder, HHF
4	133-1572	1	Shroud-Engine	11	136-7878	1	Baffle-Air, Right
5	136-5585	1	Support-Filter	12	127-9287	1	Cleat-Hose
6	127-9280	2	Pin-Hair	13	120-4232	2	Screw-HHF

Gasket and Seal Kit

1



Gasket and Seal Kit (continued)

<i>Ref.</i>	<i>Part Number</i>	<i>Qty.</i>	<i>Description</i>	<i>Ref.</i>	<i>Part Number</i>	<i>Qty.</i>	<i>Description</i>
1	127-9296	1	Gasket And Seal Kit	1:8	127-9246	2	Gasket-Carburetor
1:1	127-9214	1	Gasket-Breather	1:9	127-9251	1	Gasket-Carburetor
1:2	120-4267	1	Seal-Oil	1:10	120-4262	2	O-Ring
1:3	127-9226	2	Gasket-Head, Cylinder	1:11	127-9267	1	Gasket-Cover, Crankcase
1:4	127-9230	2	Gasket-Intake	1:12	127-9271	1	Seal
1:5	127-9295	2	Gasket-Valve Cover	1:13	127-9273	1	O-Ring
1:6	120-4317	2	Gasket-Exhaust	1:14	127-9284	1	O-Ring
1:7	120-4257	1	Seal-Oil	1:15	127-9286	1	O-Ring

Attachments and Accessories

For 77283 — 52in Z Master Professional 2000 Series Riding Mower

Product Name	Model/Part
Hypr-Oil 500 (quart)	114-4713
Hypr-Oil 500 (gallon).....	114-4714
Hypr-Oil 500-5 (5 gallon).....	114-4715
Striper Kit.....	126-7882
Jack Kit.....	127-6666
Blade-Rotary, 18.0in (Hi Flow).....	133-2134
Blade-Rotary, Atomic 18.0.....	133-2159
Blade-Rotary, Recycling 18.0in.....	133-2162
Blade (6 Pack) 18in Hi Flow.....	133-2175
Blade (6 Pack) 18in Recycle.....	133-2178
Blade (6 Pack) 18in Atomic.....	133-2181
Spark Arrestor, 1.25 I.D.	137-8098
Tweel-Turf Tire.....	139-3649
Recycler Kit.....	139-6653
Semi Pneumatic Wheel and Tire Assembly, 13x6.50-6.....	140-4896
Wheel And Tire Asm.....	140-7959
Trimmer Mount.....	144-2665
Jack Mount Kit.....	144-2676
Hardtop Sun Canopy.....	144-3719
Handle Extension Kit.....	145-3615
13x6.5n6 Caster Tweel Asm.....	147-6294
Bucket Mount Kit, Z Master 2000 or 4000 Series Riding Mower.....	147-6345
Universal Mount Kit, Z Master 2000 or 4000 Series Riding Mower.....	147-6346
Baffle Kit, Turbo Force 52in.....	147-7361
Arm Rest Kit.....	147-7397
2in Reciever Hitch Kit.....	161-2810
Bagger Kit, Z Master 2000 / 4000.....	78439
Z 4000 52in Completion Kit.....	78465

Notes:

Notes:

Notes:



Count on it.