



Count on it.

Parts Catalog

**Proline Commercial
Walk-Behind Mower with 54in Floating
Cutting Unit**

Model No. 44427—Serial No. 400000000 and Up



Ordering Replacement Parts

To order replacement parts, please supply the part number, the quantity, and the description of each part desired.

Understanding Reference Numbers

Each identified part in an illustration has a reference number. The reference number for a part also appears in the parts list, along with other information about the part.

This catalog uses two special reference number formats, one to indicate parts in a service assembly and another to indicate the quantity of a given part in an illustration.

Service Assembly Reference Numbers

Parts in service assemblies have reference numbers in the form a:b. The a represents the reference number of the entire service assembly and the b represents a sequential number unique to each part within the service assembly.

For example, a wheel assembly might be identified by reference number 6, the tire by 6:1, the valve by 6:2, and the wheel by 6:3. When you order the assembly identified by reference number 6, you receive all parts identified by reference numbers 6:1, 6:2, and 6:3. However, you may also order any part individually. Reference numbers of this type appear in illustration and in parts lists.

Reference Numbers Indicating Quantity

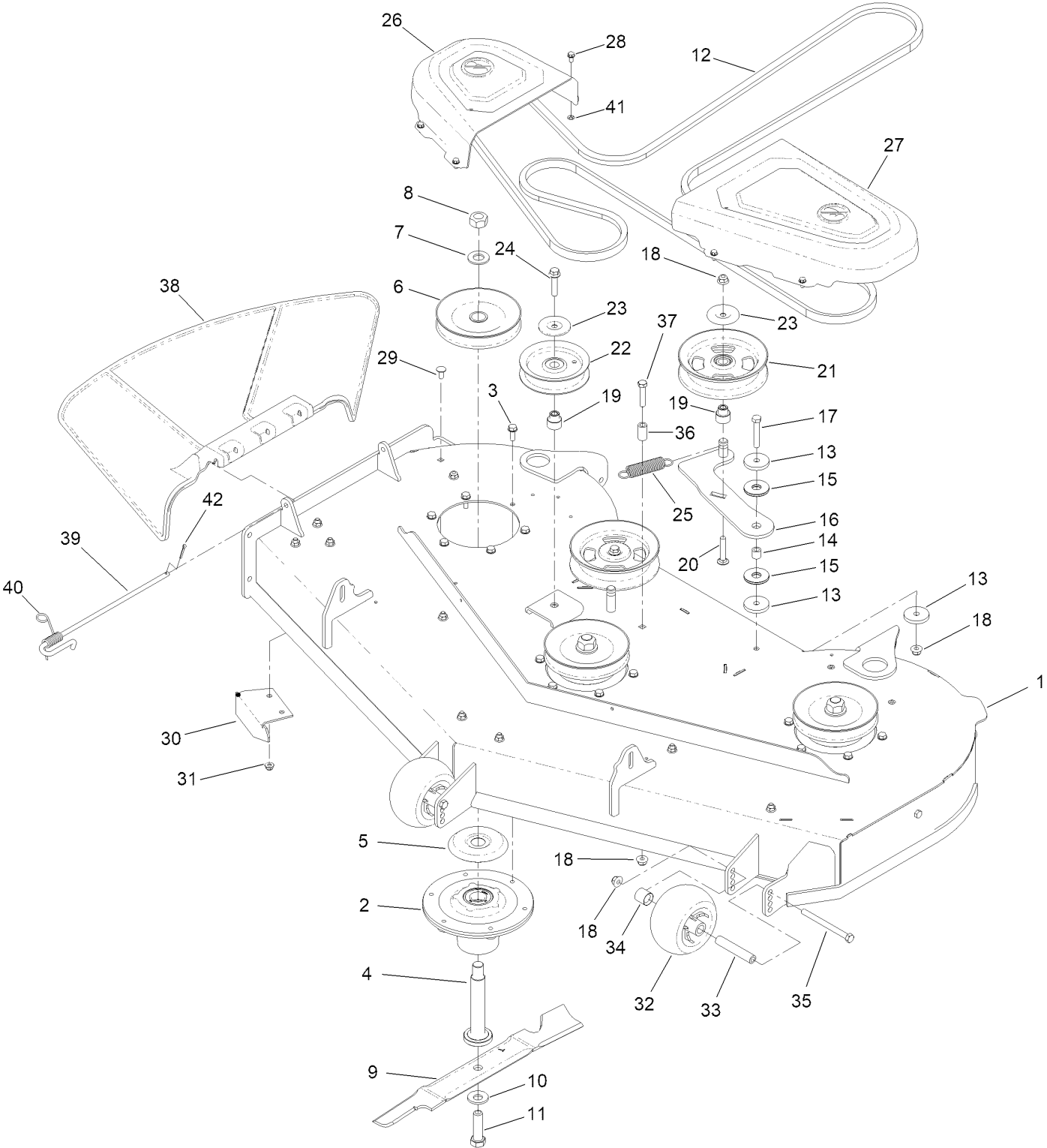
In an illustration, if a reference number indicates more than one part, the reference number has the form nX y. The n represents the quantity of the part, the X is the multiplication symbol, and the y represents the reference number.

For example, in an illustration, the reference number 2X 37 means that two of the parts identified by reference number 37 are indicated.

Contents

54 Inch Deck Assembly	4
Deck Decal Assembly No. 138-6807	6
Spindle Assembly No. 139-2357	8
Transmission Assembly	10
LH Transmission Assembly No. 138-4871	12
RH Transmission Assembly No. 138-4872	14
Idler Arm Assembly No. 139-2899	16
Operator Control Assembly	18
Reference Bar Assembly No. 139-1475	20
RH Control Handle Assembly No. 139-1532	22
LH Control Handle Assembly No. 139-1487	24
Brake Assembly	26
Brake Assembly No. 138-5844	28
Deck Lift Assembly	30
Hood Assembly	32
Frame Assembly	34
Engine Assembly	36
Fuel System Assembly	38
Electrical Harness and Battery Assembly	40
Attachments and Accessories	42

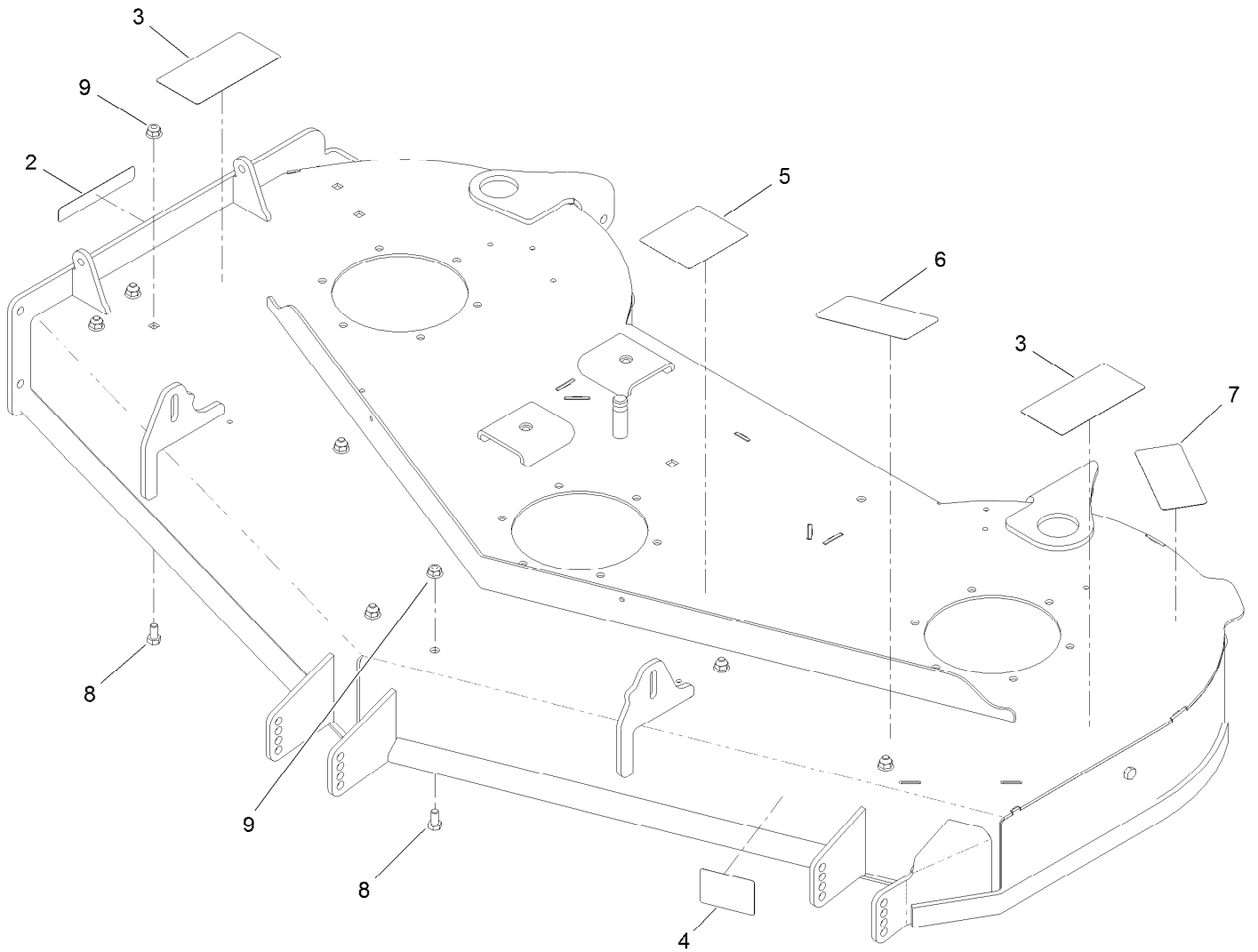
54 Inch Deck Assembly



54 Inch Deck Assembly (continued)

<i>Ref.</i>	<i>Part Number</i>	<i>Qty.</i>	<i>Description</i>	<i>Ref.</i>	<i>Part Number</i>	<i>Qty.</i>	<i>Description</i>
1	138-6807	1	Deck ASM-54"	22	132-4718	1	Pulley-Idler, Flat
2	139-2357	3	Spindle ASM	23	126-8043	3	Shield-Dust
3	32144-41	18	Screw-Taptite	24	3234-19	2	Screw-HHF
4	115-2642	3	Shaft-Spindle	25	1-323071	1	Spring-Extension
5	138-7221	3	Shield-Bearing	26	133-9283	1	Cover-Belt, RH
6	138-7223	3	Pulley	27	133-9282	1	Cover-Belt, LH
7	7-4150	3	Washer	28	32144-4	8	Screw-HWH
8	3219-7	3	Nut-Hex	29	137-3061	2	Bolt-CARR
9	138-8889-03	3	Blade - Hi Flow, 18.75 In	30	115-9653-03	1	Baffle-Cutoff
10	125-1736	3	Washer-Belleville	31	119-4041	2	Nut-HF
11	51-4060	3	Screw-Blade	32	1-603299	2	Roller-Scalp, Anti
12	135-3215	1	Belt-V	33	138-7229	2	Tube-Spanner
13	110-9981	3	Washer-Plain	34	104-0892	2	Spacer-Axle, Rear
14	139-7933	1	Bushing-Idler	35	323-23	2	Screw-HH
15	139-7932	2	Washer-Friction, Composite	36	138-7230	1	Spacer-Fender
16	139-7915	1	Idler Arm ASM	37	323-9	1	Screw-HH
17	323-11	1	Screw-HH	38	133-1212	1	Deflector-Discharge
18	119-4042	5	Nut-HF, NI	39	138-7231	1	Pin-Chute
19	138-7227	3	Bushing-Idler	40	138-7232	1	Spring-Torsion
20	3231-6	1	Screw-CARR	41	1-803037	8	Nut-Retaining
21	132-9425	2	Pulley-Idler, Flat	42	139-2614	1	Pin-Cotter

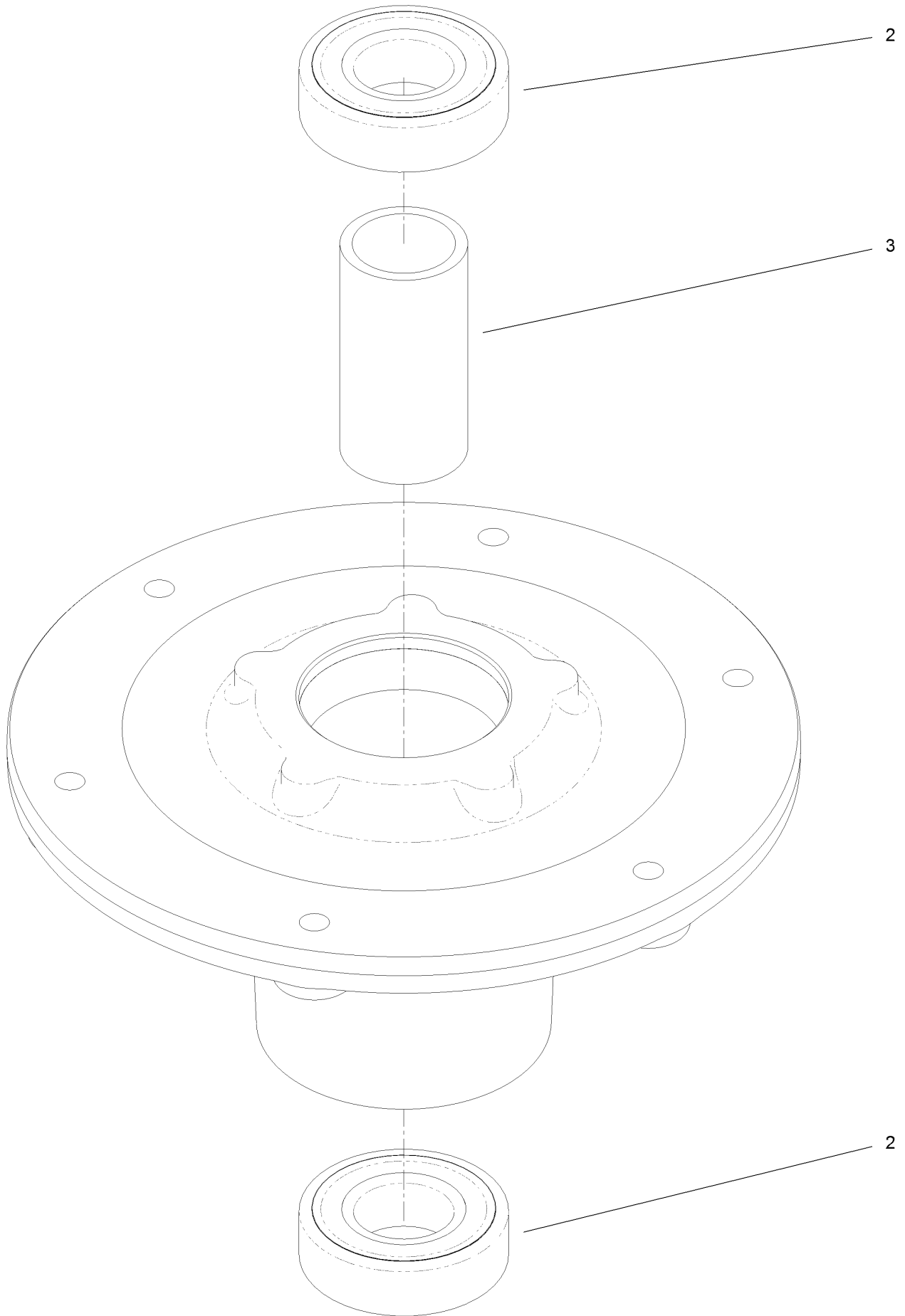
Deck Decal Assembly No. 138-6807



Deck Decal Assembly No. 138-6807 (continued)

<i>Ref.</i>	<i>Part Number</i>	<i>Qty.</i>	<i>Description</i>	<i>Ref.</i>	<i>Part Number</i>	<i>Qty.</i>	<i>Description</i>
2	130-0731	1	Decal-Danger	6	138-8828	1	Decal-Deck, 54 Inch
3	133-4604	2	Decal-Danger	7	93-7818	1	Decal-Torque, Blade Bolt
4	130-0765	1	Decal-Scalp, Anti	8	322-2	9	Screw-HH
5	117-1194	1	Decal-Routing, Belt	9	104-8300	9	Nut-HF, NI

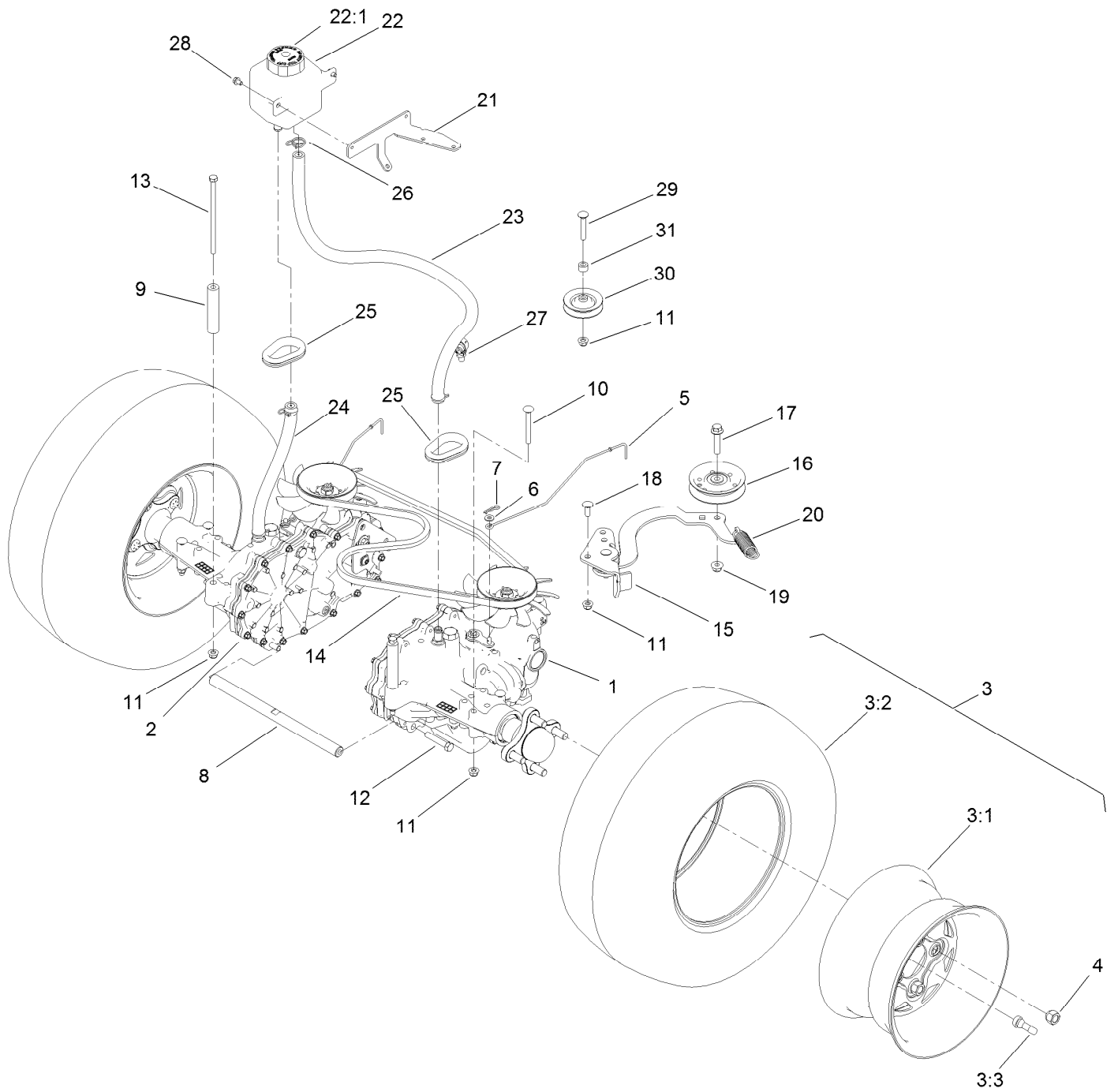
Spindle Assembly No. 139-2357



Spindle Assembly No. 139-2357 (continued)

<i>Ref.</i>	<i>Part Number</i>	<i>Qty.</i>	<i>Description</i>
2	116-0720	2	Bearing-Ball
3	138-7220	1	Spacer-Bearing

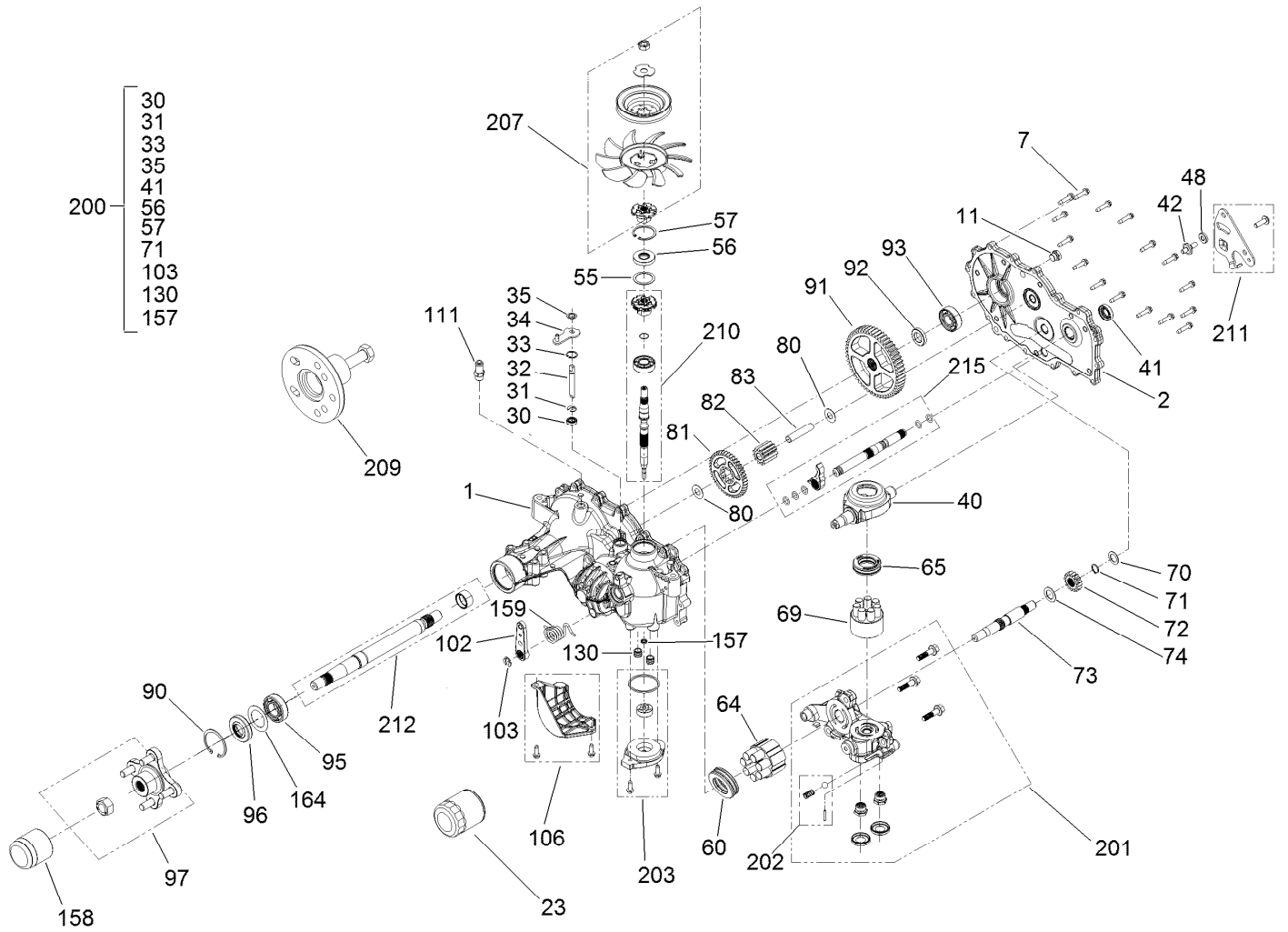
Transmission Assembly



Transmission Assembly (continued)

<i>Ref.</i>	<i>Part Number</i>	<i>Qty.</i>	<i>Description</i>	<i>Ref.</i>	<i>Part Number</i>	<i>Qty.</i>	<i>Description</i>
1	138-4871	1	Transmission, Zt-2800 LH	16	92-7101	1	Pulley-Idler, Flat
2	138-4872	1	Transmission, Zt-2800 RH	17	3234-19	1	Screw-HHF
3	139-5580	2	Wheel And Tire ASM	18	3230-10	1	Bolt-CARR
3:1	139-5581	1	Rim-10"	19	104-8301	1	Nut-HF, NI
3:2	139-5582	1	Tire	20	138-6814	1	Spring-Extension
3:3	232-27	1	Stem-Valve	21	139-7914-03	1	Bracket - Expansion Tank
4	242-50	8	Nut-Lug	22	109-2250	1	Tank-HYD
5	139-5592	2	Rod-Bypass	22:1	109-3320	1	Cap-Reservoir, HYD
6	3256-22	2	Washer-Flat	23	136-4182	1	Hose-Hydro
7	1-806003	2	Pin-Cotter	24	121-2952	1	Hose-Overflow
8	117-8585	1	Shaft-Cross, Hydro	25	240-12	2	Grommet-Rubber
9	138-5803	2	Spacer - Transmission	26	117-1193	4	Clamp-Hose
10	3230-9	6	Screw-CARR	27	32180-030	1	Clip-Tie
11	104-8300	10	Nut-HF, NI	28	99-8445	2	Screw-HWH
12	94-7972	2	Screw-HH, Patch	29	3230-6	1	Bolt-CARR
13	1-800286	2	Screw-HH	30	119-8822	1	Pulley-Idler
14	112-3799	1	Belt-V	31	98-4695	1	Spacer
15	139-2899	1	Idler Arm ASM				

LH Transmission Assembly No. 138-4871



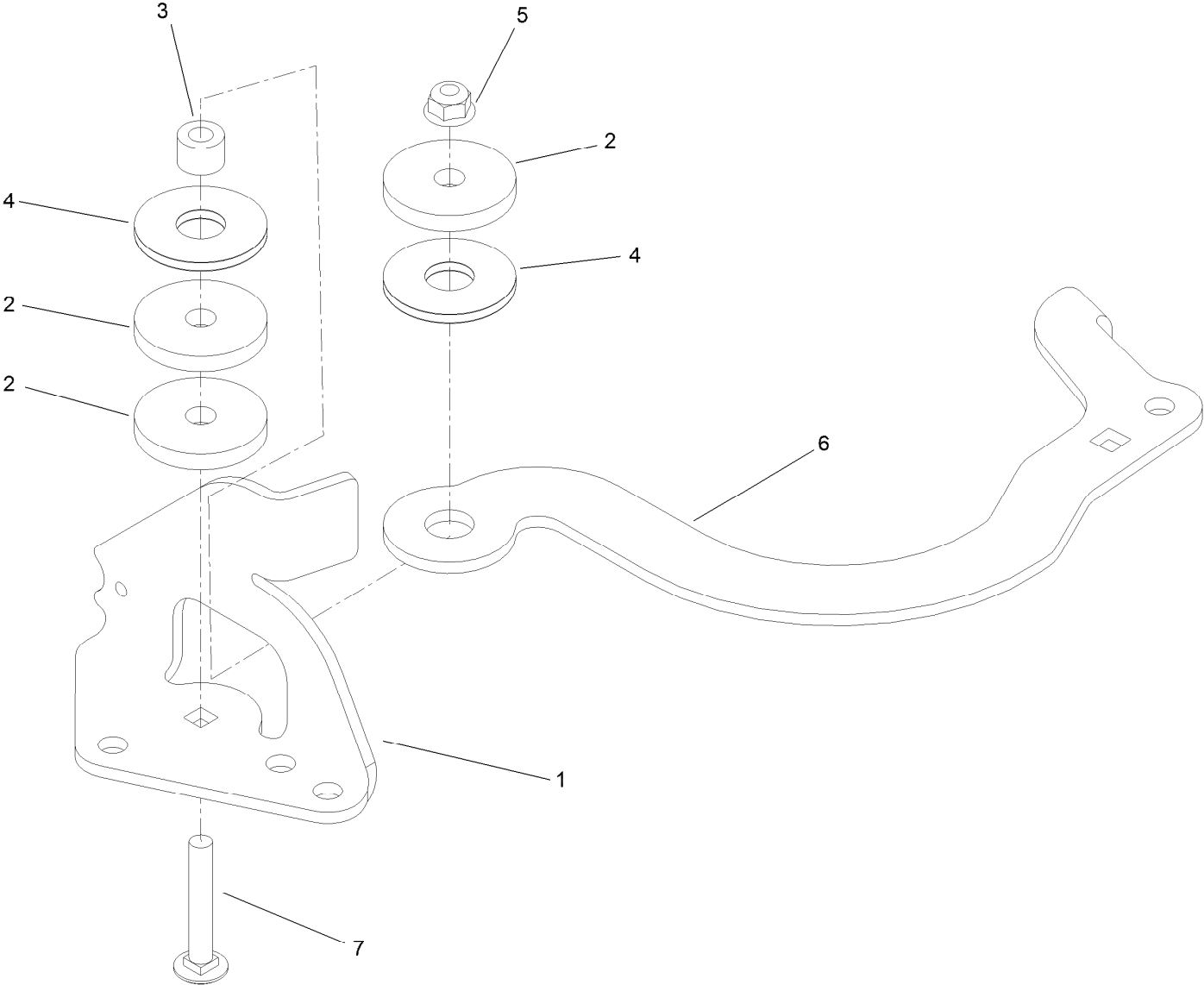
LH Transmission Assembly No. 138-4871 (continued)

<i>Ref.</i>	<i>Part Number</i>	<i>Qty.</i>	<i>Description</i>	<i>Ref.</i>	<i>Part Number</i>	<i>Qty.</i>	<i>Description</i>
1	139-4069	1	Kit, Main Housing RH, Charge	82	114-1693	1	Gear-11T
2	139-4070	1	Kit, Side Cover RH, Control	83	104-5329	1	Pin-Jackshaft
7	117-5359	16	Screw-HHF	90	104-2169	1	Ring-Retaining
11	135-1140	1	Plug-Straight	91	114-1694	1	Gear-54T
23	109-3321	1	Element-Oil Filter, HYD	92	120-7975	1	Spacer
30	106-8676	1	Seal-Lip	93	135-1361	1	Bearing-Ball
31	106-8677	1	Ring-Retaining, External	95	130-8477	1	Bearing-Ball
32	114-1685	1	Rod-Bypass	96	104-2144	1	Seal
33	106-8679	1	Ring-Retaining, Internal	97	109-5939	1	Hub Kit
34	107-2490	1	Arm-Bypass	102	125-0021	1	Handle-Brake
35	106-8681	1	Ring-Retaining, External	103	131-0906	1	Ring-Retaining, EXT
40	104-5304	1	Swashplate-Trunnion	106	120-7981	1	Guard-Filter, RH
41	104-5313	1	Seal-Lip	111	109-3278	1	Adapter-Straight
42	104-2116	1	Stud	130	126-3251	2	Tube-Charge
48	139-4073	1	Spacer	157	115-5057	1	Cover-Nut, Axle
55	104-5308	1	Spacer	158	126-1930	1	Gerotor Seal Kit
56	104-5310	1	Seal-Lip	159	126-2290	1	Spring, Torsion CCW
57	104-5309	1	Ring-Retaining	164	121-5745	1	Spacer
60	112-4154	1	Bearing-Thrust	200	109-3537	1	Seal Kit
64	139-4074	1	Cylinder Block ASM Kit	201	114-8463	1	RH Center Section Kit
65	94-6922	1	Bearing-Thrust	202	114-8464	1	Charge Relief Kit
69	110-8561	1	Pump Block ASM	203	114-8465	1	Charge Kit
70	104-5339	1	Washer-Flat	207	135-7348	1	Fan And Pulley Kit
71	104-5340	1	Ring-Retaining	209	130-8482	1	Hub Puller Kit
72	121-5749	1	Gear-16T	210	139-7502	1	Input Shaft Kit
73	114-1691	1	Shaft-Motor	211	139-4094	1	Kit, Control Arm
74	104-5360	1	Washer	212	114-8470	1	Axle Shaft Kit
80	119-5541	2	*obs* Washer	215	139-4095	1	Kit, Outboard, RH Rot A / LH Rot B
81	125-0000	1	Gear-43T				

RH Transmission Assembly No. 138-4872 (continued)

<i>Ref.</i>	<i>Part Number</i>	<i>Qty.</i>	<i>Description</i>	<i>Ref.</i>	<i>Part Number</i>	<i>Qty.</i>	<i>Description</i>
1	139-4096	1	Kit, Main Housing LH, Charge	82	114-1693	1	Gear-11T
2	139-4097	1	Kit, Side Cover LH, Control	83	104-5329	1	Pin-Jackshaft
7	117-5359	16	Screw-HHF	90	104-2169	1	Ring-Retaining
11	135-1140	1	Plug-Straight	91	114-1694	1	Gear-54T
23	109-3321	1	Element-Oil Filter, HYD	92	120-7975	1	Spacer
30	106-8676	1	Seal-Lip	93	135-1361	1	Bearing-Ball
31	106-8677	1	Ring-Retaining, External	95	120-7976	1	Bearing-Ball
32	114-1685	1	Rod-Bypass	96	104-2144	1	Seal
33	106-8679	1	Ring-Retaining, Internal	97	109-5939	1	Hub Kit
34	112-9852	1	Arm-Bypass	102	125-0021	1	Handle-Brake
35	106-8681	1	Ring-Retaining, External	103	131-0906	1	Ring-Retaining, EXT
40	104-5304	1	Swashplate-Trunnion	106	120-7979	1	Guard-Filter, LH
41	104-5313	1	Seal-Lip	111	109-3278	1	Adapter-Straight
42	104-2116	1	Stud	130	126-3251	2	Tube-Charge
48	139-4073	1	Spacer	157	115-5057	1	Cover-Nut, Axle
55	104-5308	1	Spacer	158	126-1930	1	Gerotor Seal Kit
56	104-5310	1	Seal-Lip	159	139-4099	1	Spring, Torsion, CW
57	104-5309	1	Ring-Retaining	164	121-5745	1	Spacer
60	112-4154	1	Bearing-Thrust	200	109-3537	1	Seal Kit
64	139-4074	1	Cylinder Block ASM Kit	201	114-8476	1	LH Center Section Kit
65	94-6922	1	Bearing-Thrust	202	114-8464	1	Charge Relief Kit
69	110-8561	1	Pump Block ASM	203	114-8465	1	Charge Kit
70	104-5339	1	Washer-Flat	207	135-7348	1	Fan And Pulley Kit
71	104-5340	1	Ring-Retaining	209	130-8482	1	Hub Puller Kit
72	121-5749	1	Gear-16T	210	139-7502	1	Input Shaft Kit
73	114-1691	1	Shaft-Motor	211	139-7866	1	Kit, Arm, Control
74	104-5360	1	Washer	212	114-8470	1	Axle Shaft Kit
80	119-5541	2	*obs* Washer	215	139-7867	1	Kit, Outboard, RH Rot B/LH Rot A
81	125-0000	1	Gear-43T				

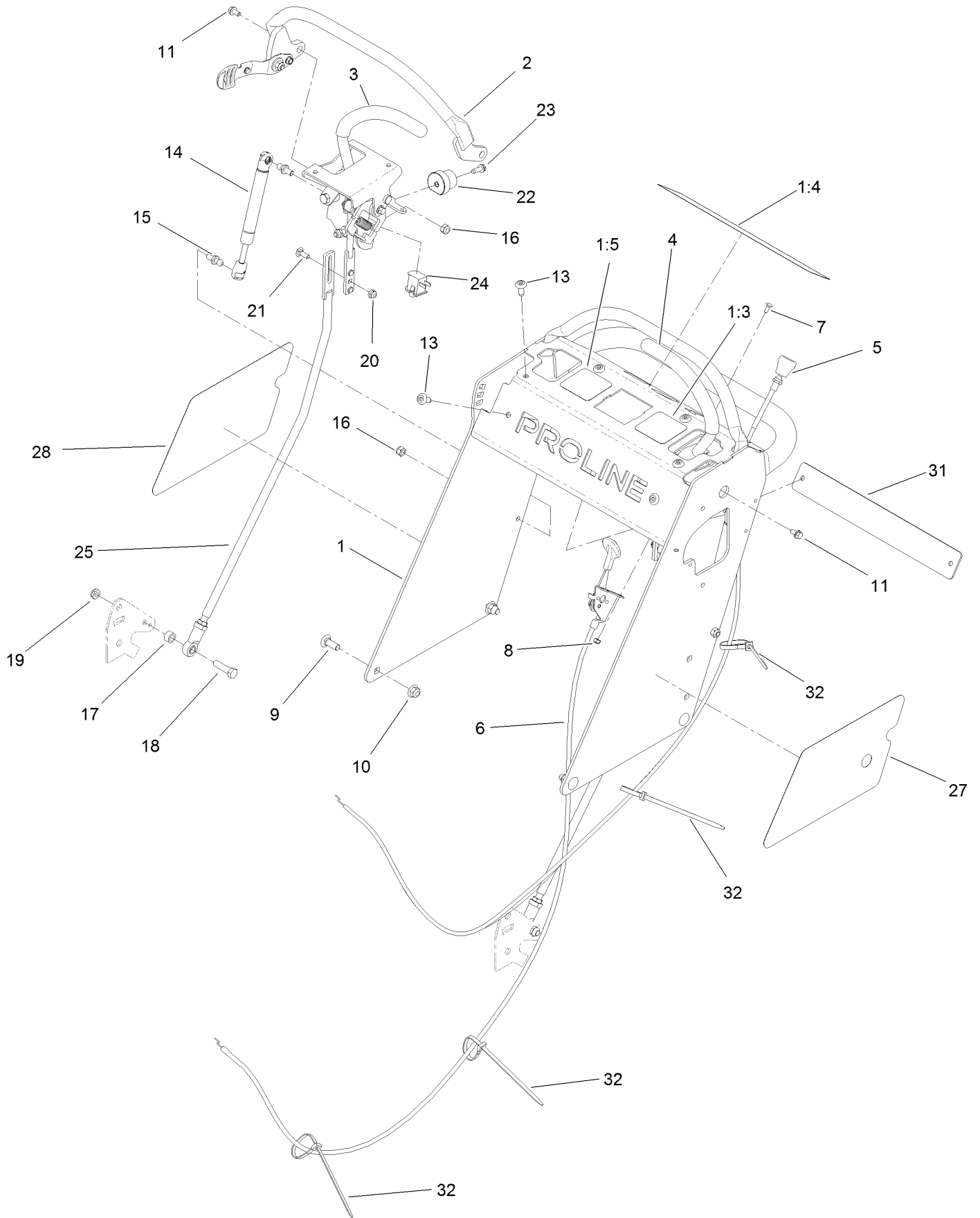
Idler Arm Assembly No. 139-2899



Idler Arm Assembly No. 139-2899 (continued)

<i>Ref.</i>	<i>Part Number</i>	<i>Qty.</i>	<i>Description</i>	<i>Ref.</i>	<i>Part Number</i>	<i>Qty.</i>	<i>Description</i>
1	138-6819	1	Mount-Idler	5	104-8300	1	Nut-HF, NI
2	110-9981	3	Washer-Plain	6	139-2900	1	Arm-Idler
3	114-8549	1	Bushing	7	126-0699	1	Bolt-CARR
4	114-0463	2	Washer-Friction, Composite				

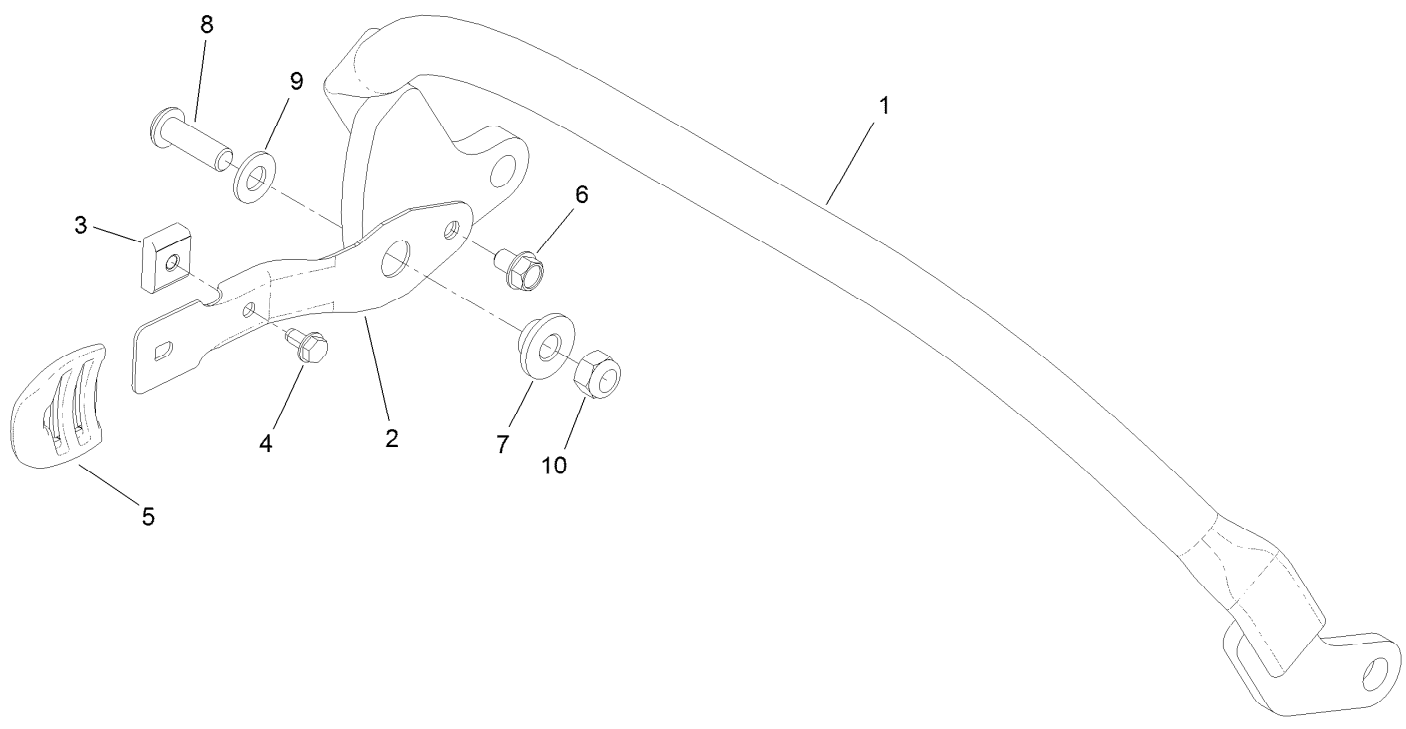
Operator Control Assembly



Operator Control Assembly (continued)

<i>Ref.</i>	<i>Part Number</i>	<i>Qty.</i>	<i>Description</i>	<i>Ref.</i>	<i>Part Number</i>	<i>Qty.</i>	<i>Description</i>
1	139-2850	1	Tower ASM	15	103-5752	4	Stud-Ball
1:3	138-8816	1	Decal-OPC Control, Left	16	3296-72	4	Nut-Lock, NI
1:4	138-8818	1	Decal-Warning, Control	17	121-2608	2	Spacer
1:5	139-2874	1	Decal-OPC Control, Right	18	323-29	2	Screw-HH
2	139-1475	1	Reference Bar Assembly	19	3296-59	2	Nut-Lock, NI
3	139-1532	1	Control Handle ASM, RH	20	104-7201	2	Nut-HF, NI
4	139-1487	1	Control Handle ASM, LH	21	3229-1	2	Screw-CARR
5	126-2107	1	Cable, Choke	22	126-1499	2	Cam
6	109-3958	1	Control-Throttle	23	49-2040	2	Screw-HWHTF
7	1-807513	2	Bolt-CARR	24	82-2190	2	Switch-Bail
8	3296-2	2	Nut-Lock, NI	25	139-2913	2	Control Rod ASM
9	3231-22	4	Screw-CARR	27	140-4253	1	Decal-Proline, LH
10	104-8301	4	Nut-HF, NI	28	140-4254	1	Decal-Proline, RH
11	119-1065	2	Screw-Lock,HF	31	140-4251-03	1	Plate-Cover
13	138-9753	6	Screw	32	1-303335	4	Tie-Plastic
14	139-1523	2	Damper				

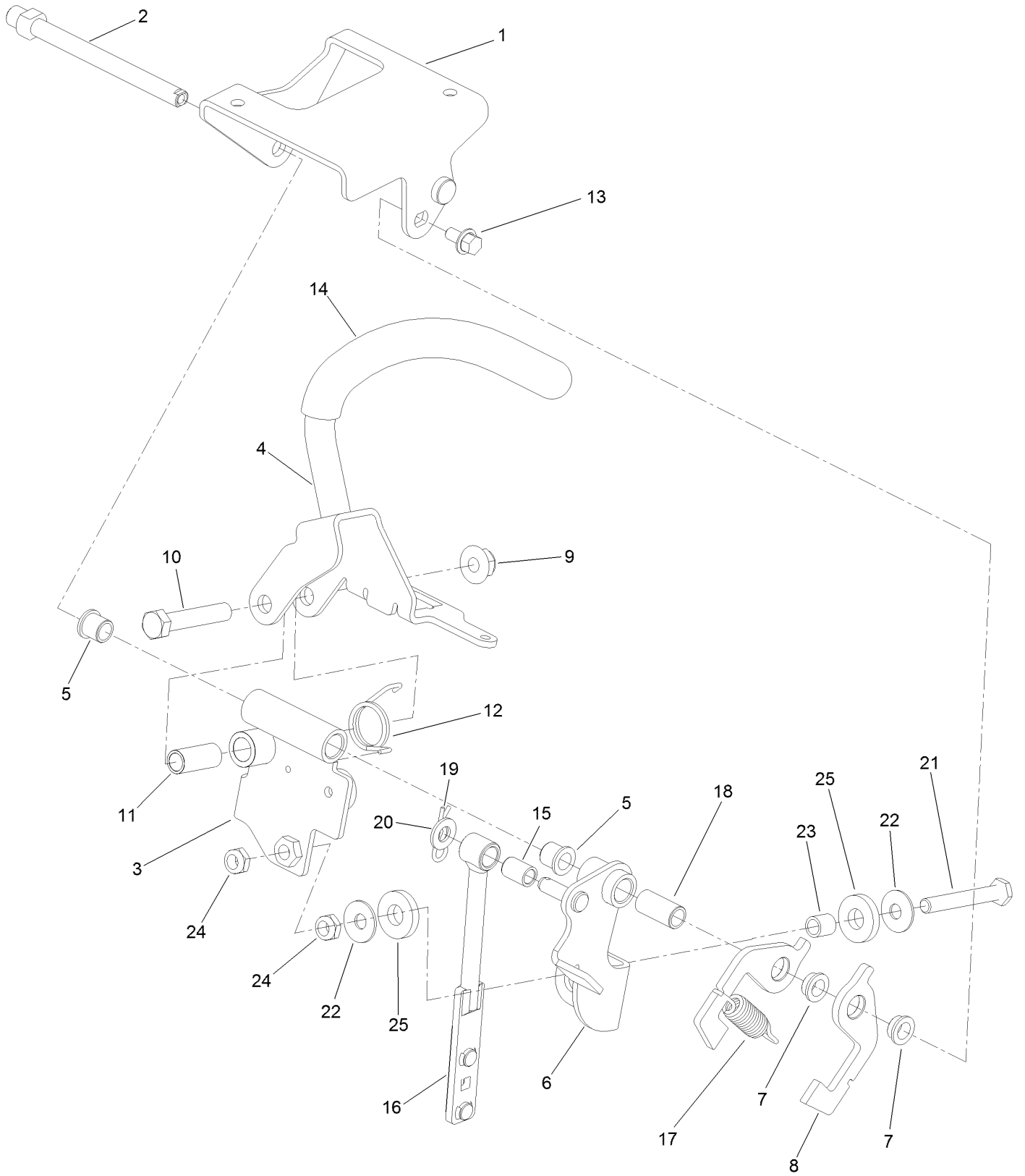
Reference Bar Assembly No. 139-1475



Reference Bar Assembly No. 139-1475 (continued)

<i>Ref.</i>	<i>Part Number</i>	<i>Qty.</i>	<i>Description</i>	<i>Ref.</i>	<i>Part Number</i>	<i>Qty.</i>	<i>Description</i>
1	139-2855-01	1	Reference Bar	6	99-8445	1	Screw-HWH
2	121-1431-03	1	Arm-Spring	7	117-5991	1	Washer-Stepped, Baffle
3	131-5377	1	Key-Arm, Spring	8	119-6903	1	Screw-HSBH
4	104-2065	1	Screw-HWH	9	120-9683	1	Washer-Plain
5	125-1093	1	Knob-Lever, HOC	10	3296-72	1	Nut-Lock, NI

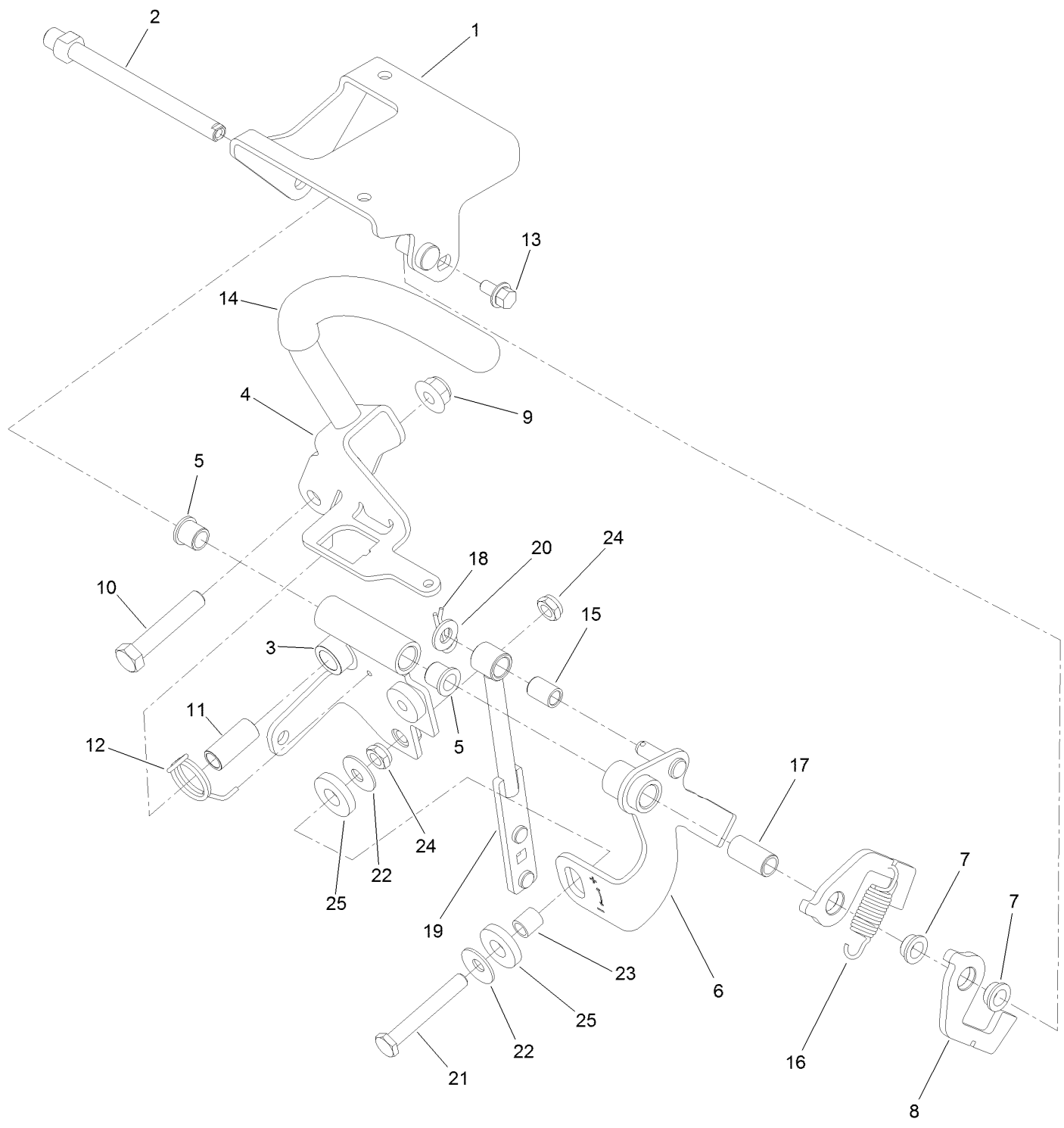
RH Control Handle Assembly No. 139-1532



RH Control Handle Assembly No. 139-1532 (continued)

<i>Ref.</i>	<i>Part Number</i>	<i>Qty.</i>	<i>Description</i>	<i>Ref.</i>	<i>Part Number</i>	<i>Qty.</i>	<i>Description</i>
1	139-2852	1	Bracket-Mount, RH	14	139-2863	1	Grip-Handle
2	139-1486	1	Pin-Pivot	15	139-2869	1	Bushing
3	139-1535	1	Motion Control ASM RH	16	139-2917	1	Control Rod Assembly
4	139-1540	1	RH Lever ASM	17	139-2859	1	Spring-Extension
5	103-9928	2	Bearing	18	139-2875	1	Bushing
6	139-2903	1	Motion Control ASM RH	19	1-806003	1	Pin-Cotter
7	139-1525	2	Bushing-Flanged Nylon	20	3256-23	1	Washer-Plain
8	139-1513	2	Plate-Spring	21	9114524	1	Bolt-TAP, HH
9	104-8301	1	Nut-HF, NI	22	3290-456	2	Washer-Belleville
10	323-10	1	Screw-HH	23	139-7876	1	Spacer
11	131-3562	1	Bearing-Sleeve	24	3296-47	2	Nut-Lock,NI
12	139-1538	1	Spring-Torsion	25	139-7883	2	Washer-Rubber
13	3234-13	1	Screw-HHF				

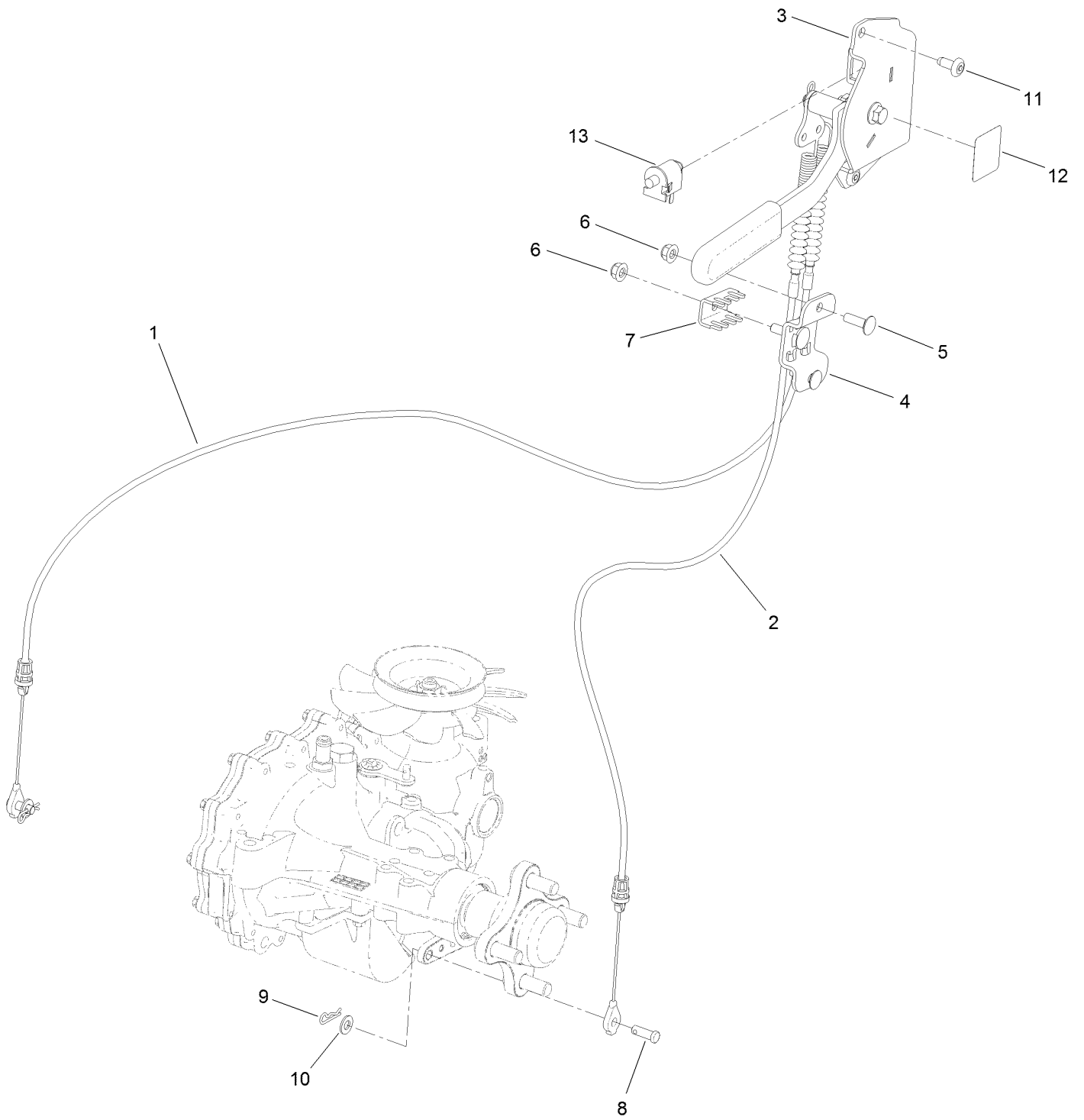
LH Control Handle Assembly No. 139-1487



LH Control Handle Assembly No. 139-1487 (continued)

<i>Ref.</i>	<i>Part Number</i>	<i>Qty.</i>	<i>Description</i>	<i>Ref.</i>	<i>Part Number</i>	<i>Qty.</i>	<i>Description</i>
1	139-2851	1	Bracket-Mount, LH	14	139-2863	1	Grip-Handle
2	139-1486	1	Pin-Pivot	15	139-2869	1	Bushing
3	139-1490	1	Motion Control ASM LH	16	139-2859	1	Spring-Extension
4	139-1495	1	LH Lever ASM	17	139-2875	1	Bushing
5	103-9928	2	Bearing	18	1-806003	1	Pin-Cotter
6	139-2865	1	Motion Control ASM LH	19	139-2917	1	Control Rod Assembly
7	139-1525	2	Bushing-Flanged Nylon	20	3256-23	1	Washer-Plain
8	139-1513	2	Plate-Spring	21	9114524	1	Bolt-TAP, HH
9	104-8301	1	Nut-HF, NI	22	3290-456	2	Washer-Belleville
10	323-10	1	Screw-HH	23	139-7876	1	Spacer
11	131-3562	1	Bearing-Sleeve	24	3296-47	2	Nut-Lock,NI
12	139-1508	1	Spring-Torsion	25	139-7883	2	Washer-Rubber
13	3234-13	1	Screw-HHF				

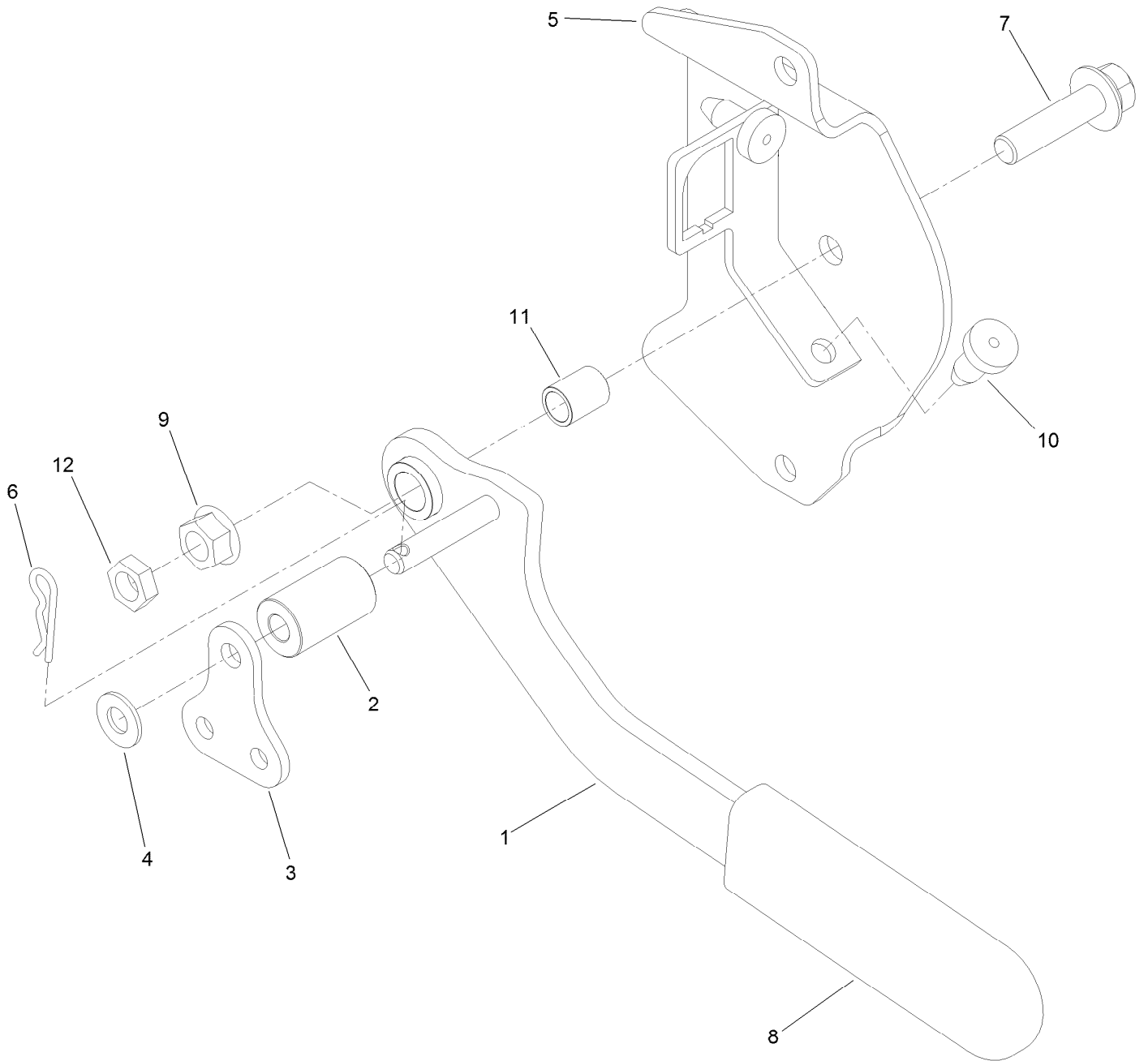
Brake Assembly



Brake Assembly (continued)

<i>Ref.</i>	<i>Part Number</i>	<i>Qty.</i>	<i>Description</i>	<i>Ref.</i>	<i>Part Number</i>	<i>Qty.</i>	<i>Description</i>
1	138-5841	1	Cable-Brake	8	283-75	2	Pin-Clevis
2	138-5842	1	Cable-Brake	9	1-806003	2	Pin-Cotter
3	138-5844	1	Brake Assembly	10	3256-23	2	Washer-Plain
4	132-7582	1	Mount-Cable, Brake	11	138-9753	2	Screw
5	3230-28	2	Screw-CARR	12	116-5988	1	Decal-Park Brake, CE
6	104-8300	3	Nut-HF, NI	13	82-2190	1	Switch-Bail
7	132-1187	1	Clamp-Cable				

Brake Assembly No. 138-5844

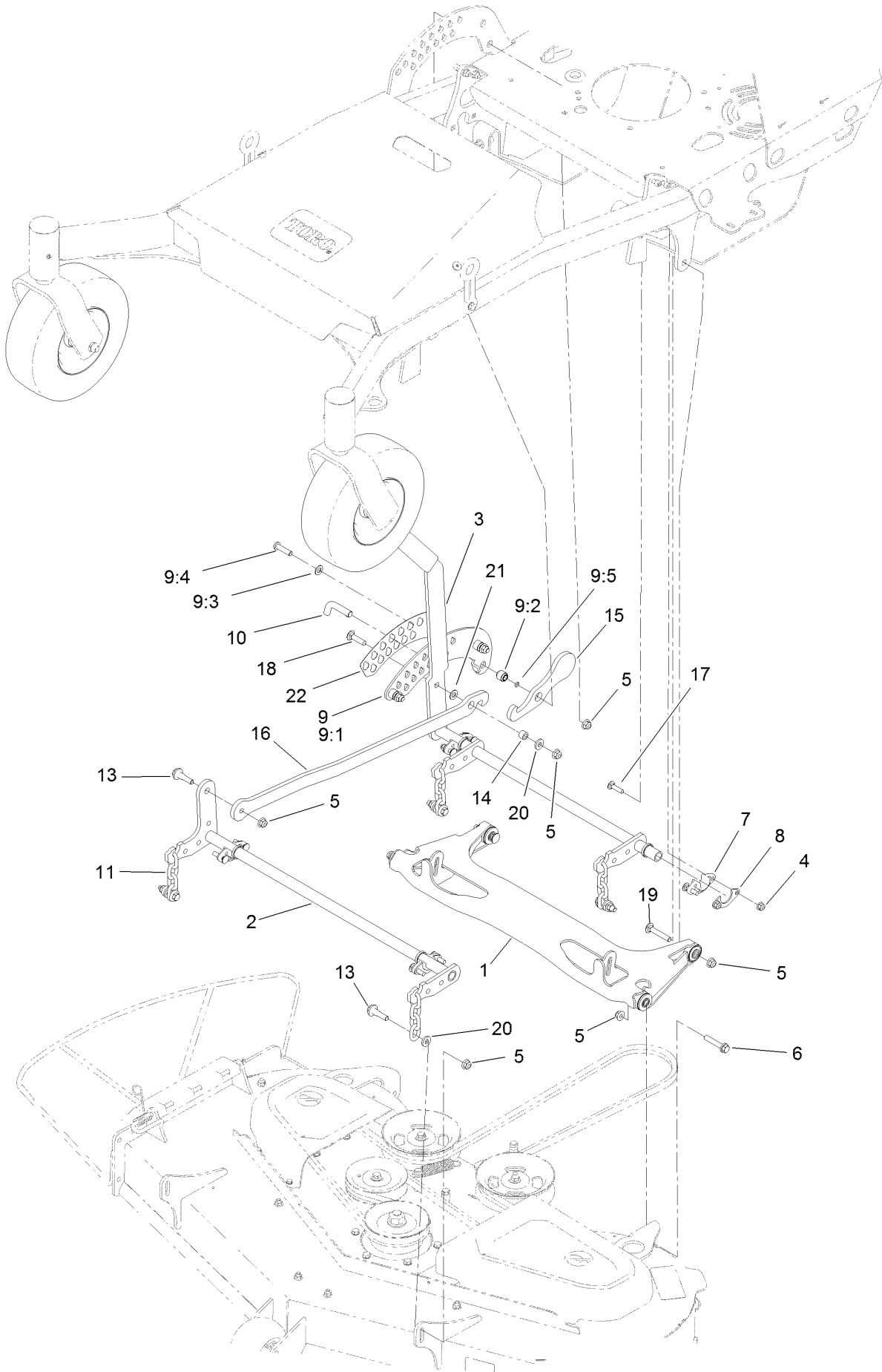


Brake Assembly No. 138-5844 (continued)

<i>Ref.</i>	<i>Part Number</i>	<i>Qty.</i>	<i>Description</i>
1	138-5845	1	Handle-Brake
2	77-3180	1	Spacer
3	138-6870	1	Yoke-Cable
4	93-6079	1	Spacer-Nylon
5	138-8815	1	Bracket ASM-Brake
6	1-806003	1	Pin-Cotter

<i>Ref.</i>	<i>Part Number</i>	<i>Qty.</i>	<i>Description</i>
7	114-4681	1	Screw-HHF
8	1-633268	1	Grip-Lever
9	32128-21	1	Nut-HF Lock
10	87-8460	2	Bumper-Rubber
11	139-2942	1	Bearing-Sleeve
12	3218-3	1	Nut-Jam

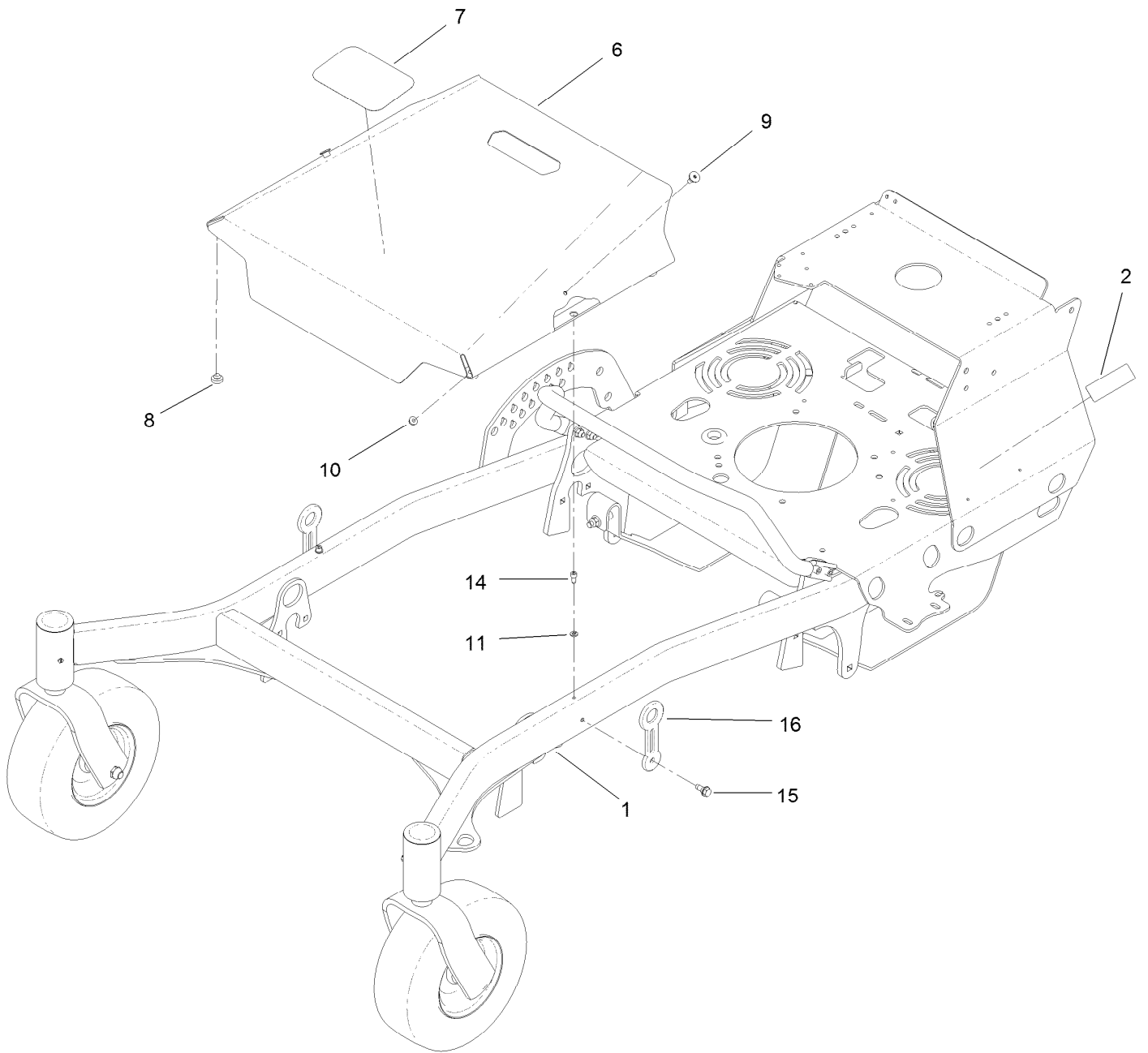
Deck Lift Assembly



Deck Lift Assembly (continued)

<i>Ref.</i>	<i>Part Number</i>	<i>Qty.</i>	<i>Description</i>	<i>Ref.</i>	<i>Part Number</i>	<i>Qty.</i>	<i>Description</i>
1	138-5858	1	Deck Strut ASM	9:5	237-21	3	O-Ring
2	138-5861	1	Pivot ASM-Front	10	138-7203	1	Pin-HOC
3	138-6869	1	Pivot ASM	11	138-7205	4	Chain-Decklift, 4-Link
4	104-8300	8	Nut-HF, NI	13	130-0742	5	Bolt-Shoulder
5	104-8301	13	Nut-HF, NI	14	115-4986	1	Spacer
6	108-3742	2	Screw-HHF	15	138-5860	1	Lever-Lock
7	139-5872	4	Bearing-Flange	16	138-5863-03	1	Link - HOC
8	138-7204	4	Gusset-Deck Lift	17	3230-3	8	Screw-CARR
9	138-6890	1	HOC Standoff ASM	18	3231-4	1	Screw-CARR
9:1	138-1009	1	Plate - HOC	19	3231-7	2	Screw-CARR
9:2	138-7201	3	Spacer-Double Step	20	138-7207	5	Spacer-Hub, Blower
9:3	48-9220	3	Washer-Flat	21	48-9220	1	Washer-Flat
9:4	95-3857	3	Screw-HSBH	22	138-8821	1	Decal-HOC

Hood Assembly

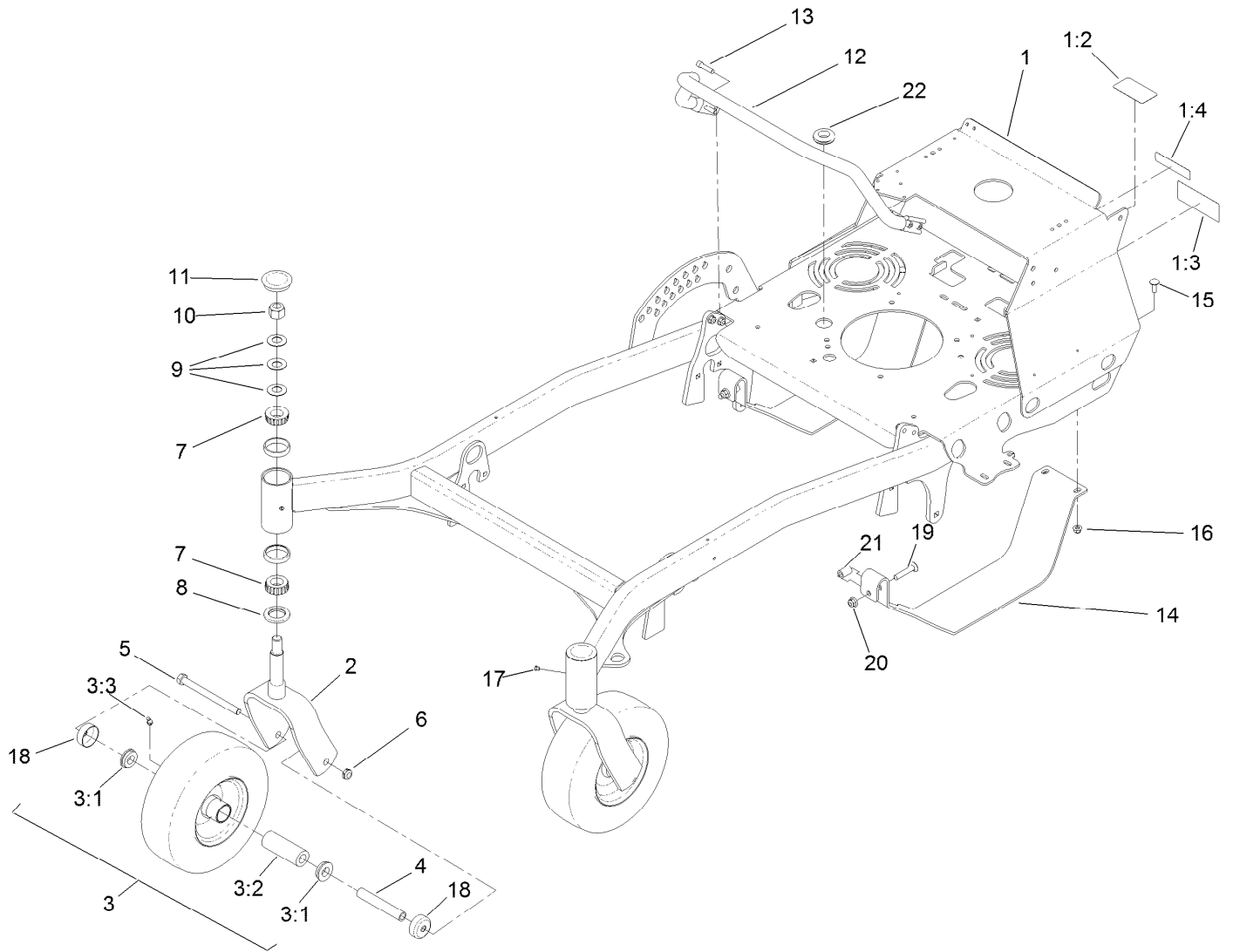


Hood Assembly (continued)

<i>Ref.</i>	<i>Part Number</i>	<i>Qty.</i>	<i>Description</i>	<i>Ref.</i>	<i>Part Number</i>	<i>Qty.</i>	<i>Description</i>
1		1	Frame Assembly ●	10	104-7201	2	Nut-HF, NI
2	140-0183	1	Decal-Emissions, Epa 2020	11	3253-3	2	Washer-Lock
6	140-4331-03	1	Cover-Deck, Wide	14	65-5220	2	Screw-HSH, Thread Forming
7	99-4693	1	Decal	15	126-4424	2	Screw-Shoulder
8	1-513658	4	Bumper	16	ST47182	2	Latch-Rubber
9	125-1122	2	Screw				

● Not serviced separately

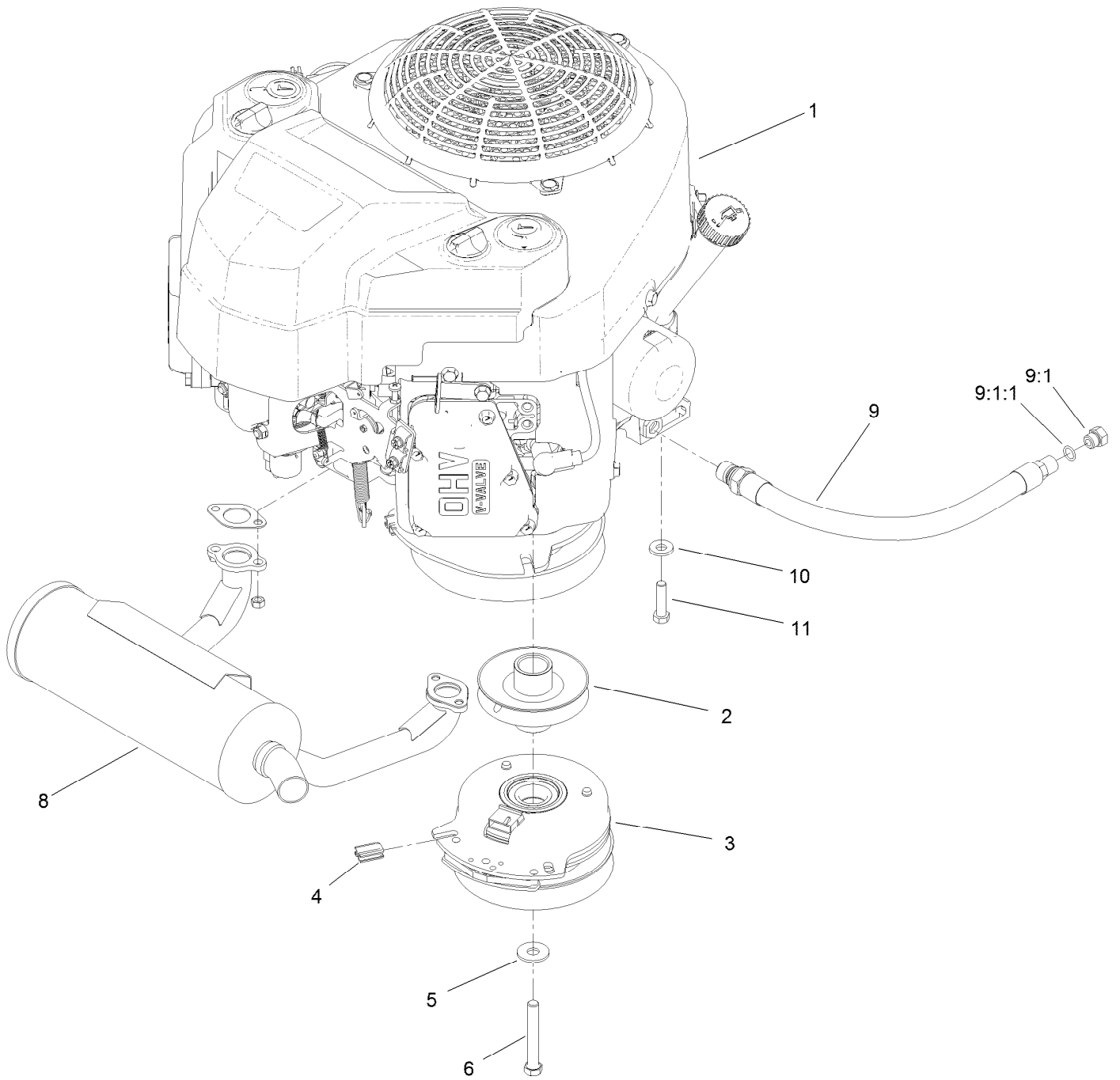
Frame Assembly



Frame Assembly (continued)

<i>Ref.</i>	<i>Part Number</i>	<i>Qty.</i>	<i>Description</i>	<i>Ref.</i>	<i>Part Number</i>	<i>Qty.</i>	<i>Description</i>
1	140-1865	1	Frame ASM	9	1-633508	6	Washer-Bellville
1:2	138-8820	1	Decal - Bypass	10	3296-51	2	Nut-Lock, NI
1:3	126-1400	1	Decal-Warning, Sulky	11	103-4882	2	Cap-Grease
1:4	98-1977	1	Decal-Warning	12	138-5881-03	1	Tube, Muffler Guard
2	121-7988-01	2	Fork-Caster	13	3274-18	4	Screw-HSH
3	140-4286	2	Wheel And Tire ASM	14	139-2938-03	2	Guard-Transmission
3:1	1-513810	2	Bushing	15	3230-10	4	Bolt-CARR
3:2	1-513809	1	Bearing	16	104-8300	8	Nut-HF, NI
3:3	161-9925	1	Fitting-Grease, 45	17	1-811010	2	Plug
4	1-513547	2	Spacer	18	133-7088	4	Guard-Seal
5	325-20	2	Screw-HH	19	117-9971	2	Bolt-Carriage
6	3296-45	2	Nut-Hex	20	104-8301	2	Nut-HF, NI
7	1-543509	4	Bearing-Roller, Tapered	21	114-2754	2	Spacer
8	1-543511	2	Seal-Grease	22	1-543286	1	Grommet

Engine Assembly



Engine Assembly (continued)

<i>Ref.</i>	<i>Part Number</i>	<i>Qty.</i>	<i>Description</i>	<i>Ref.</i>	<i>Part Number</i>	<i>Qty.</i>	<i>Description</i>
1	140-1905	1	Engine-Kawasaki, Fs600V ■	8	116-3735	1	Muffler-Horizontal
2	139-2879	1	Pulley	9	116-5052	1	Asm-Oil Drain Hose W/Plug
3	127-3410	1	Clutch-PTO	9:1	353-508	1	Plug-HH ●
4	120-2217	1	Isolator-Clutch	9:1:1	237-42	1	O-Ring
5	94-2701	1	Washer-Hardened	10	98-5975	3	Washer-Belleville
6	126-7198	1	Screw-HH W/Loctite	11	323-8	4	Screw-HH

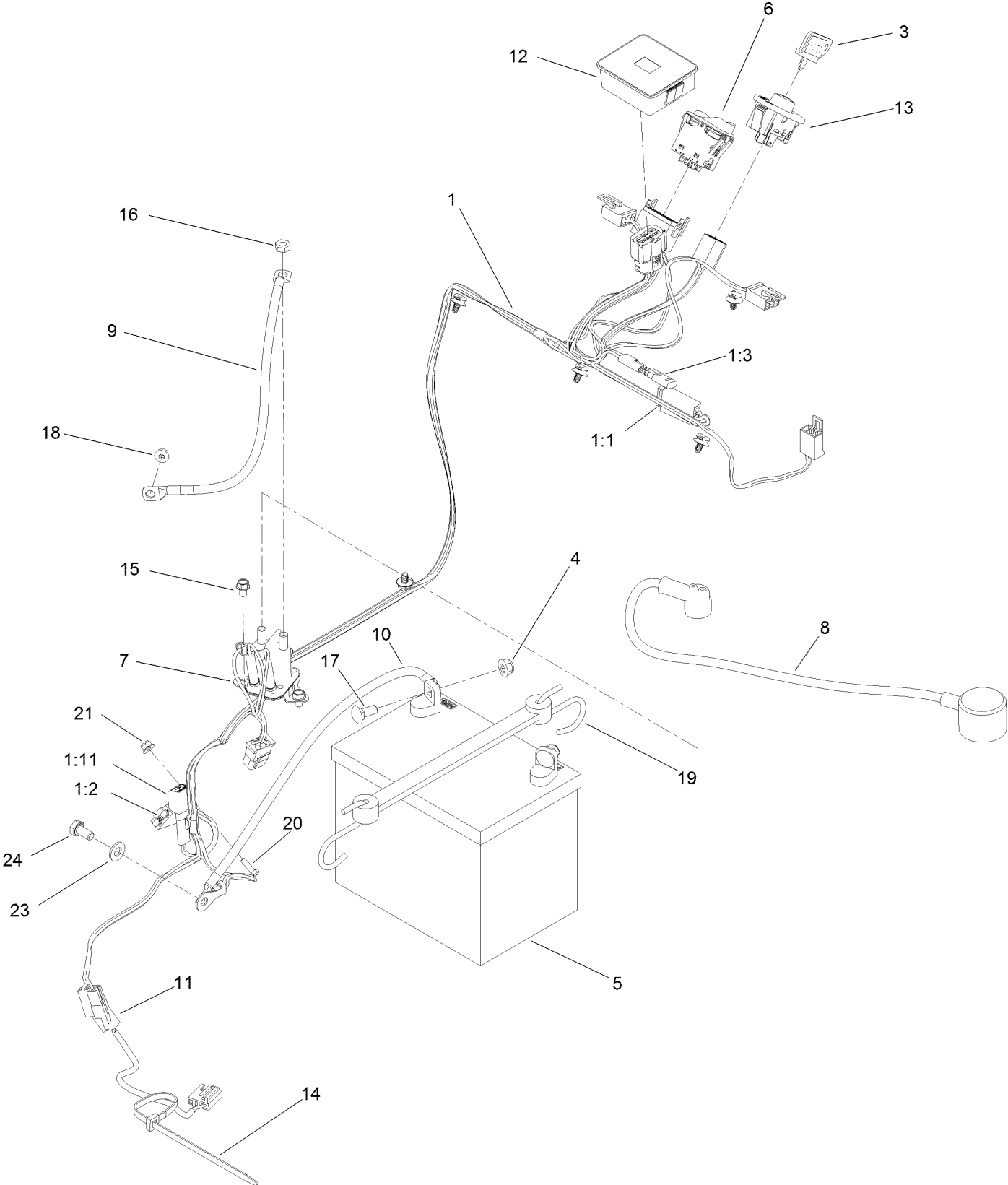
● Torque to 20-24 ft-lb

■ Obtain parts from www.kawpower.com

Fuel System Assembly (continued)

<i>Ref.</i>	<i>Part Number</i>	<i>Qty.</i>	<i>Description</i>	<i>Ref.</i>	<i>Part Number</i>	<i>Qty.</i>	<i>Description</i>
1	140-4343	1	Fuel Tank ASM, 5 Gal	5	114-4428	1	Hose-Fuel
1:2	137-4119	1	Cap-Fuel, Ratcheting	6	1-603770	1	Valve-Fuel
1:3	114-0284	1	Grommet	7	110-1876	1	Hose-Fuel
1:4	119-3547	1	Valve-Vent, Fuel	8	2412-98	4	Clamp-Hose
1:5	46-6560	1	Bushing	9	138-8837	1	Hose, Emissions
1:6	109-9364	1	Fitting-Fuel (W/Line And Screen)	11	32180-030	2	Clip-Tie
2	107-4543	2	Clamp	21	1-303335	4	Tie-Plastic
3	104-8300	2	Nut-HF, NI	22	116-5464	1	Tee And Check
4	322-10	2	Screw-HH	23	120-2235	1	Filter-Fuel
				24	119-6074	1	Hose-Fuel

Electrical Harness and Battery Assembly



Electrical Harness and Battery Assembly (continued)

<i>Ref.</i>	<i>Part Number</i>	<i>Qty.</i>	<i>Description</i>	<i>Ref.</i>	<i>Part Number</i>	<i>Qty.</i>	<i>Description</i>
1	138-8840	1	Harness-Wire, Wasp	11	126-0624	1	Harness-Clutch Pigtail
1:1	109355	1	Fuse-Blade, 15 Amp	12	139-5561	1	Module, Hour Meter
1:2	109102	1	Fuse-Blade, 25 Amp	13	137-4100	1	Switch-Ignition
1:3	116-0053	1	Cap-Plug	14	1-303335	3	Tie-Plastic
1:11	100-4918	1	Diode	15	99-8445	2	Screw-HWH
3	63-8360	1	Key-Ignition	16	3220-2	1	Nut-Hex Jam
4	104-8300	2	Nut-HF, NI	17	3230-1	2	Bolt-CARR
5	105-1692	1	Battery- Dry, 12V, 230 CCA	18	33003-00	1	Nut-HF
6	139-6367	1	Switch-Rocker, (On)-On-Off	19	104-2466	1	Holddown-Battery
7	117-1197	1	Solenoid	20	3290-134	1	Screw
8	139-6350	1	Cable-Battery, Pos ASM	21	120-4578	1	Nut-HF
9	139-6354	1	Cable-Battery, Pos ASM	23	33094-00	1	Washer-Plain
10	139-6358	1	Cable-Battery, Neg ASM	24	33114-016	1	Screw-HH

Attachments and Accessories

For 44427 — Proline Commercial Walk-Behind Mower with 54in Floating Cutting Unit

Product Name	Model/Part
Hypr-Oil 500 (quart).....	114-4713
Hypr-Oil 500 (gallon).....	114-4714
Hypr-Oil 500-5 (5 gallon).....	114-4715
Toro Premium Fuel Treatment 12oz Bottle.....	131-6572
Electric Accessory Port.....	133-1438
Weight Kit	138-6866
Blade - Mulch, 18.75 In.....	138-8885-03
Blade - Hi Flow, 18.75 In.....	138-8889-03
Blade - High Lift, 18.75 In.....	138-8892-03
HOC Brackets Kit.....	139-4063
Light Kit.....	139-5595
Soft Side Bagger.....	139-7860
54in Recycler Kit.....	140-1915
Rubber Deflector Kit	140-4300
Leaf Bagging Enhancement Kit	140-5122
6 Pack-Blade, 18.75 Recycler.....	140-7731
6 Pack-Blade, 18.75 Hi-flow.....	140-7735
6 Pack-blade, 18.75 Hi-lift.....	140-7739
10W30 4-Cycle Engine Oil (32oz Bottle).....	38280
Toro 4-Cycle SAE 30 Oil (32oz Bottle)	38903
Two-Wheel Sulky, Proline Midsize	44401
Spark Arrestor	98-9099

Notes:



Count on it.