



**Count on it.**

**Parts Catalog**

**Proline Commercial  
Walk-Behind Mower with 54in Floating  
Cutting Unit**

Model No. 44427—Serial No. 408786427 and Up



# Ordering Replacement Parts

To order replacement parts, please supply the part number, the quantity, and the description of each part desired.

## Understanding Reference Numbers

Each identified part in an illustration has a reference number. The reference number for a part also appears in the parts list, along with other information about the part.

This catalog uses two special reference number formats, one to indicate parts in a service assembly and another to indicate the quantity of a given part in an illustration.

## Service Assembly Reference Numbers

Parts in service assemblies have reference numbers in the form a:b. The a represents the reference number of the entire service assembly and the b represents a sequential number unique to each part within the service assembly.

For example, a wheel assembly might be identified by reference number 6, the tire by 6:1, the valve by 6:2, and the wheel by 6:3. When you order the assembly identified by reference number 6, you receive all parts identified by reference numbers 6:1, 6:2, and 6:3. However, you may also order any part individually. Reference numbers of this type appear in illustration and in parts lists.

## Reference Numbers Indicating Quantity

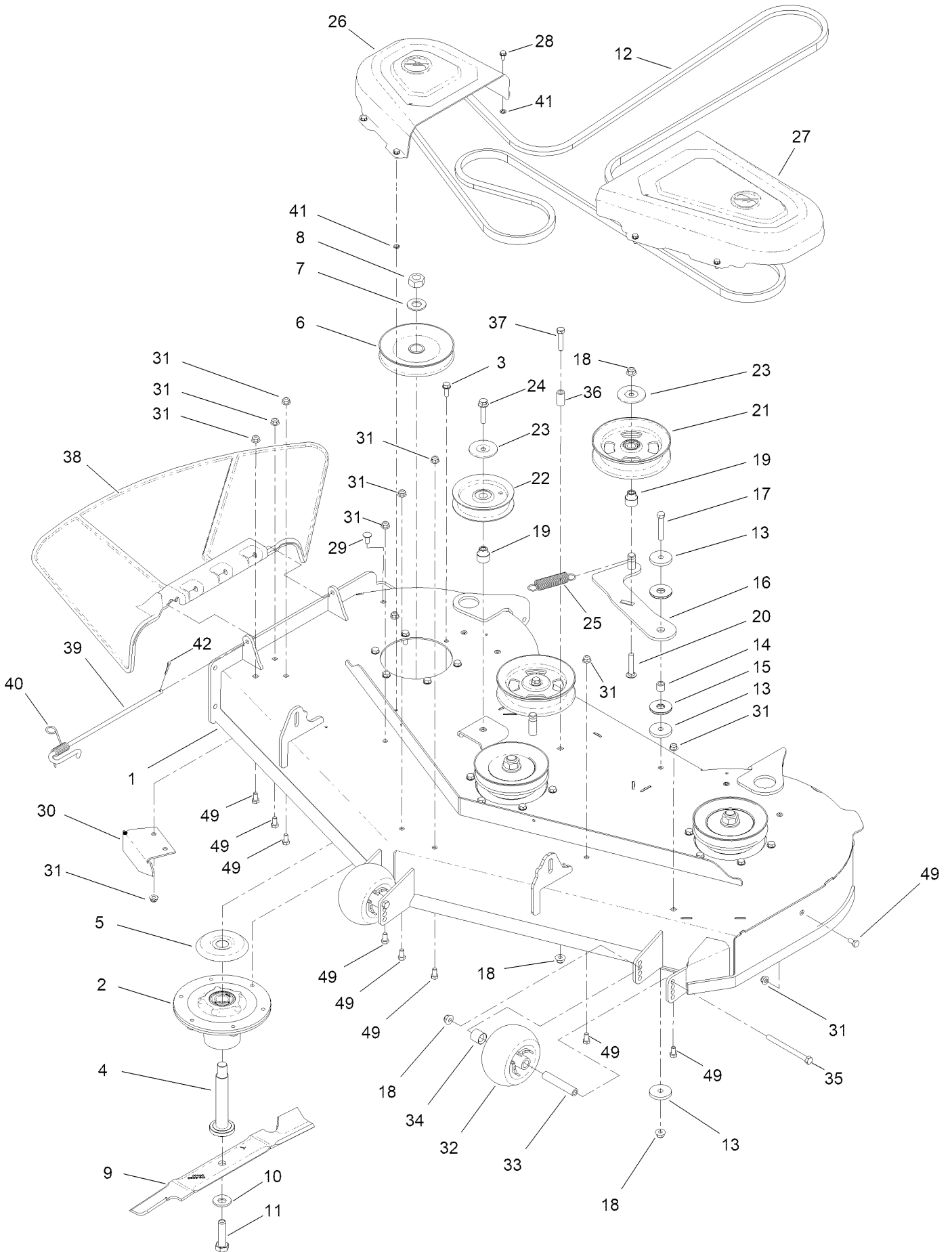
In an illustration, if a reference number indicates more than one part, the reference number has the form nX y. The n represents the quantity of the part, the X is the multiplication symbol, and the y represents the reference number.

For example, in an illustration, the reference number 2X 37 means that two of the parts identified by reference number 37 are indicated.

# Contents

|   |    |
|---|----|
| 54 Inch Deck Assembly .....                   | 4  |
| Deck Decal Assembly No. 138-6807 .....        | 6  |
| Spindle Assembly No. 139-2357 .....           | 8  |
| Transmission Assembly .....                   | 10 |
| LH Transmission Assembly No. 147-0362 .....   | 12 |
| RH Transmission Assembly No. 147-0363 .....   | 14 |
| Idler Arm Assembly No. 139-2899 .....         | 16 |
| Operator Control Assembly .....               | 18 |
| Reference Bar Assembly No. 139-1475 .....     | 20 |
| RH Control Handle Assembly No. 139-1532 ..... | 22 |
| LH Control Handle Assembly No. 139-1487 ..... | 24 |
| Brake Assembly .....                          | 26 |
| Brake Assembly No. 138-5844 .....             | 28 |
| Deck Lift Assembly .....                      | 30 |
| Hood Assembly .....                           | 32 |
| Frame Assembly .....                          | 34 |
| Engine Assembly .....                         | 36 |
| Fuel System Assembly .....                    | 38 |
| Electrical Harness and Battery Assembly ..... | 40 |
| Attachments and Accessories .....             | 42 |

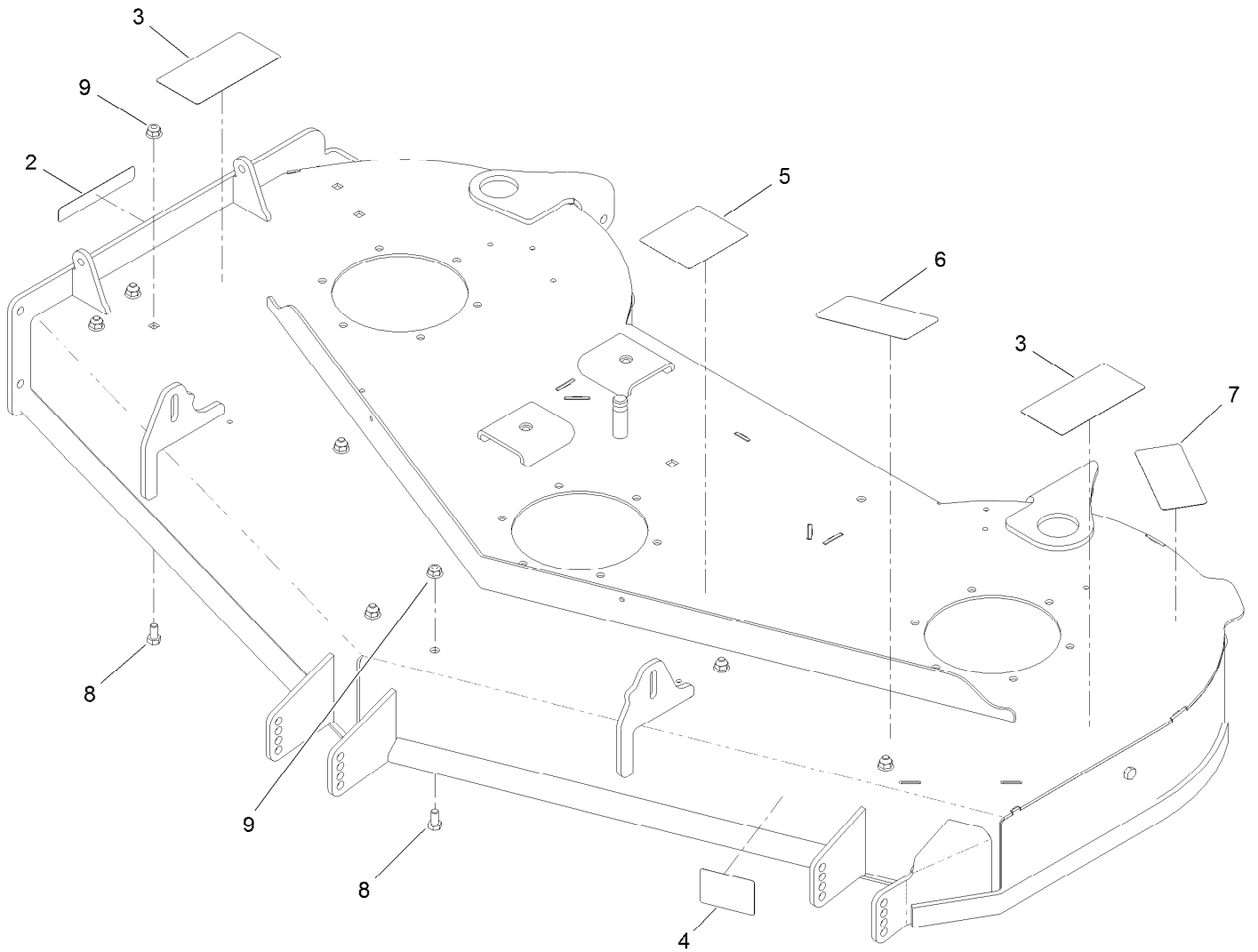
# 54 Inch Deck Assembly



## 54 Inch Deck Assembly (continued)

| <i>Ref.</i> | <i>Part Number</i> | <i>Qty.</i> | <i>Description</i>         | <i>Ref.</i> | <i>Part Number</i> | <i>Qty.</i> | <i>Description</i>  |
|-------------|--------------------|-------------|----------------------------|-------------|--------------------|-------------|---------------------|
| 1           | 138-6807           | 1           | Deck ASM-54"               | 23          | 126-8043           | 3           | Shield-Dust         |
| 2           | 139-2357           | 3           | Spindle ASM                | 24          | 3234-19            | 2           | Screw-HHF           |
| 3           | 32144-41           | 18          | Screw-Taptite              | 25          | 1-323071           | 1           | Spring-Extension    |
| 4           | 115-2642           | 3           | Shaft-Spindle              | 26          | 133-9283           | 1           | Cover-Belt, RH      |
| 5           | 138-7221           | 3           | Shield-Bearing             | 27          | 133-9282           | 1           | Cover-Belt, LH      |
| 6           | 138-7223           | 3           | Pulley                     | 28          | 32144-4            | 8           | Screw-HWH           |
| 7           | 7-4150             | 3           | Washer                     | 29          | 137-3061           | 2           | Bolt-CARR           |
| 8           | 3219-7             | 3           | Nut-Hex                    | 30          | 115-9653-03        | 1           | Baffle-Cutoff       |
| 9           | 138-8889-03        | 3           | Blade - Hi Flow, 18.75 In  | 31          | 119-4041           | 11          | Nut-HF              |
| 10          | 125-1736           | 3           | Washer-Belleville          | 32          | 1-603299           | 2           | Roller-Scalp, Anti  |
| 11          | 51-4060            | 3           | Screw-Blade                | 33          | 138-7229           | 2           | Tube-Spanner        |
| 12          | 135-3215           | 1           | Belt-V                     | 34          | 104-0892           | 2           | Spacer-Axle, Rear   |
| 13          | 110-9981           | 3           | Washer-Plain               | 35          | 323-23             | 2           | Screw-HH            |
| 14          | 139-7933           | 1           | Bushing-Idler              | 36          | 138-7230           | 1           | Spacer-Fender       |
| 15          | 139-7932           | 2           | Washer-Friction, Composite | 37          | 323-9              | 1           | Screw-HH            |
| 16          | 139-7915           | 1           | Idler Arm ASM              | 38          | 133-1212           | 1           | Deflector-Discharge |
| 17          | 323-11             | 1           | Screw-HH                   | 39          | 138-7231           | 1           | Pin-Chute           |
| 18          | 119-4042           | 5           | Nut-HF, NI                 | 40          | 138-7232           | 1           | Spring-Torsion      |
| 19          | 138-7227           | 3           | Bushing-Idler              | 41          | 1-803037           | 8           | Nut-Retaining       |
| 20          | 3231-6             | 1           | Screw-CARR                 | 42          | 139-2614           | 1           | Pin-Cotter          |
| 21          | 132-9425           | 2           | Pulley-Idler, Flat         | 49          | 322-2              | 9           | Screw-HH            |
| 22          | 132-4718           | 1           | Pulley-Idler, Flat         |             |                    |             |                     |

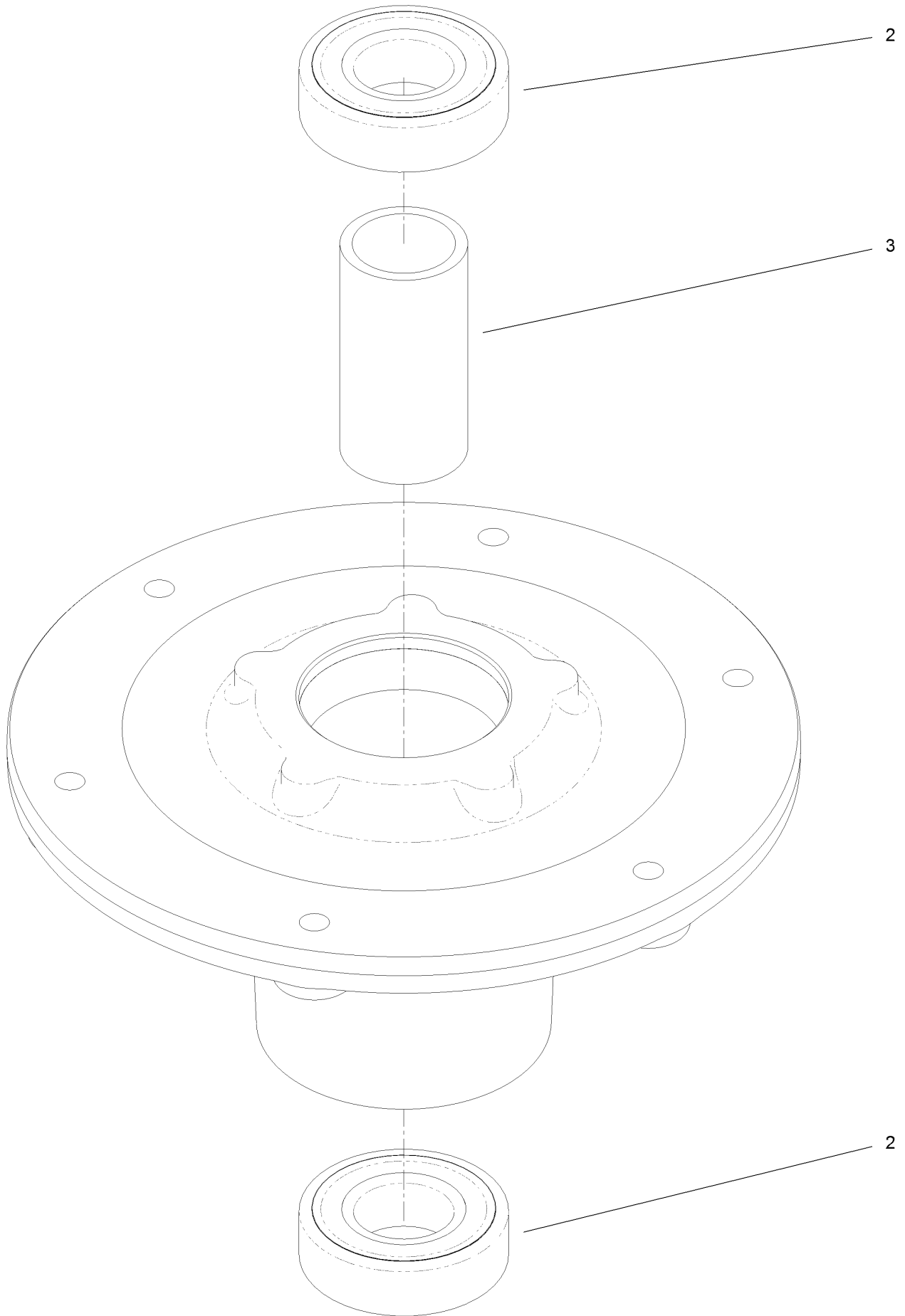
# Deck Decal Assembly No. 138-6807



## Deck Decal Assembly No. 138-6807 (continued)

| <i>Ref.</i> | <i>Part Number</i> | <i>Qty.</i> | <i>Description</i>  | <i>Ref.</i> | <i>Part Number</i> | <i>Qty.</i> | <i>Description</i>       |
|-------------|--------------------|-------------|---------------------|-------------|--------------------|-------------|--------------------------|
| 2           | 130-0731           | 1           | Decal-Danger        | 6           | 138-8828           | 1           | Decal-Deck, 54 Inch      |
| 3           | 133-4604           | 2           | Decal-Danger        | 7           | 93-7818            | 1           | Decal-Torque, Blade Bolt |
| 4           | 130-0765           | 1           | Decal-Scalp, Anti   | 8           | 322-2              | 9           | Screw-HH                 |
| 5           | 117-1194           | 1           | Decal-Routing, Belt | 9           | 104-8300           | 9           | Nut-HF, NI               |

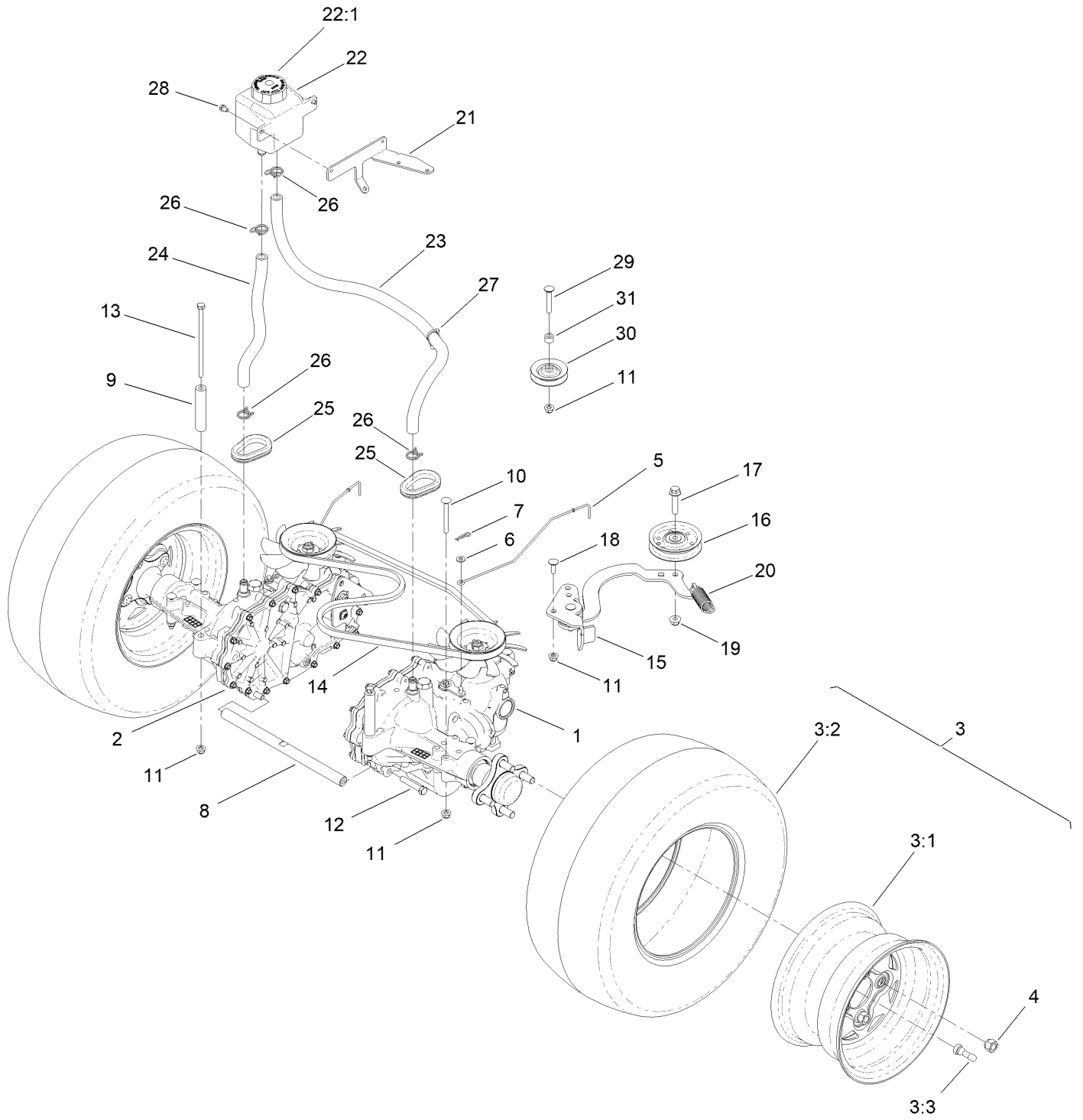
# Spindle Assembly No. 139-2357



# Spindle Assembly No. 139-2357 (continued)

| <i>Ref.</i> | <i>Part Number</i> | <i>Qty.</i> | <i>Description</i> |
|-------------|--------------------|-------------|--------------------|
| 2           | 116-0720           | 2           | Bearing-Ball       |
| 3           | 138-7220           | 1           | Spacer-Bearing     |

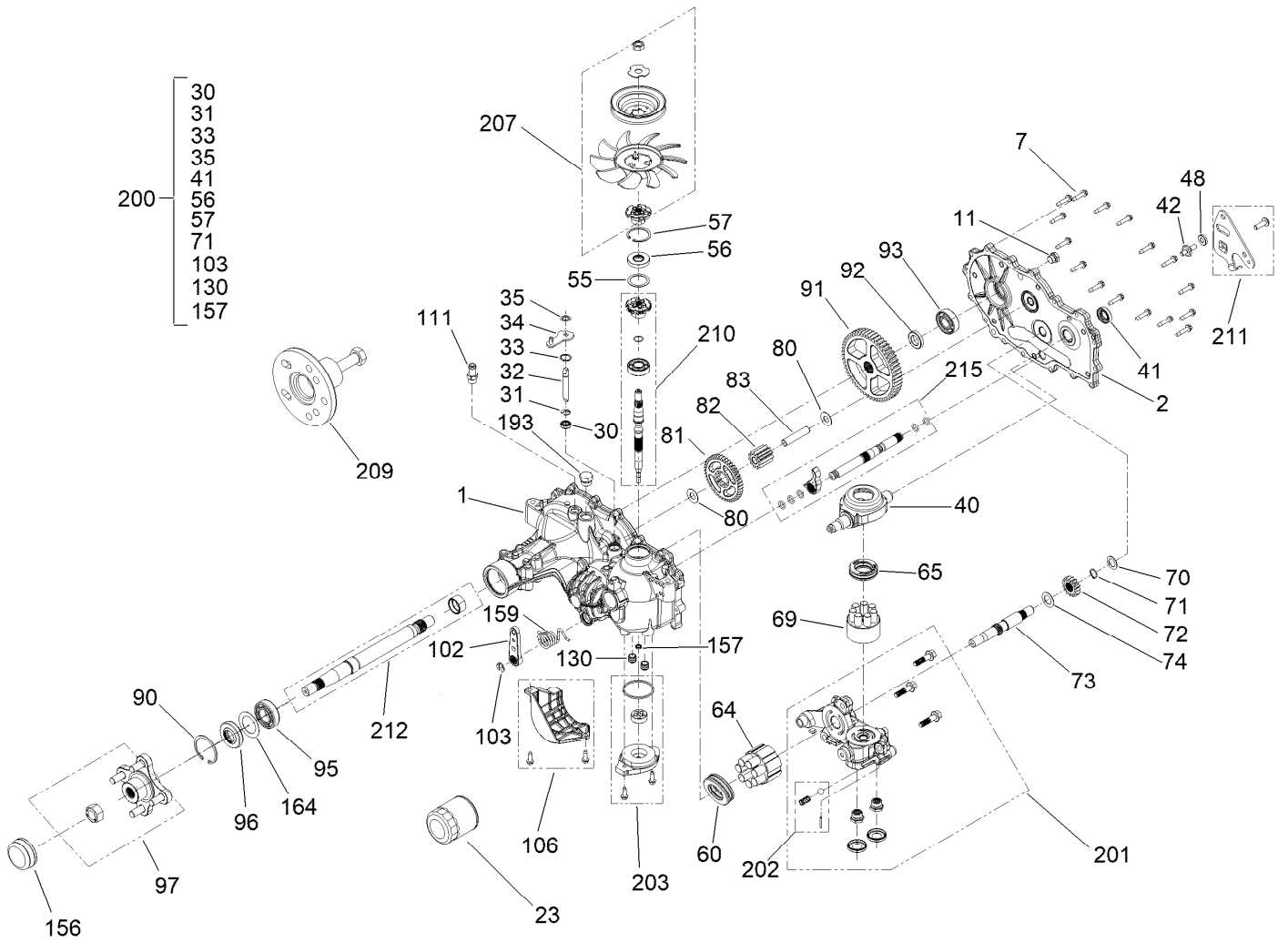
# Transmission Assembly



## Transmission Assembly (continued)

| <i>Ref.</i> | <i>Part Number</i> | <i>Qty.</i> | <i>Description</i>       | <i>Ref.</i> | <i>Part Number</i> | <i>Qty.</i> | <i>Description</i>       |
|-------------|--------------------|-------------|--------------------------|-------------|--------------------|-------------|--------------------------|
| 1           | 147-0362           | 1           | Transmission, Zt-2800 LH | 16          | 92-7101            | 1           | Pulley-Idler, Flat       |
| 2           | 147-0363           | 1           | Transmission, Zt-2800 RH | 17          | 3234-19            | 1           | Screw-HHF                |
| 3           | 139-5580           | 2           | Wheel And Tire ASM       | 18          | 3230-10            | 1           | Bolt-CARR                |
| 3:1         | 139-5581           | 1           | Rim-10"                  | 19          | 104-8301           | 1           | Nut-HF, NI               |
| 3:2         | 139-5582           | 1           | Tire                     | 20          | 138-6814           | 1           | Spring-Extension         |
| 3:3         | 232-27             | 1           | Stem-Valve               | 21          | 139-7914-03        | 1           | Bracket - Expansion Tank |
| 4           | 242-50             | 8           | Nut-Lug                  | 22          | 109-2250           | 1           | Tank-HYD                 |
| 5           | 139-5592           | 2           | Rod-Bypass               | 22:1        | 109-3320           | 1           | Cap-Reservoir, HYD       |
| 6           | 3256-22            | 2           | Washer-Flat              | 23          | 144-3784           | 1           | Hose-Hydro               |
| 7           | 1-806003           | 2           | Pin-Cotter               | 24          | 115-4969           | 1           | Hose-Overflow            |
| 8           | 117-8585           | 1           | Shaft-Cross, Hydro       | 25          | 240-12             | 2           | Grommet-Rubber           |
| 9           | 138-5803           | 2           | Spacer - Transmission    | 26          | 117-1193           | 4           | Clamp-Hose               |
| 10          | 3230-9             | 6           | Screw-CARR               | 27          | 32180-030          | 1           | Clip-Tie                 |
| 11          | 104-8300           | 10          | Nut-HF, NI               | 28          | 99-8445            | 2           | Screw-HWH                |
| 12          | 94-7972            | 2           | Screw-HH, Patch          | 29          | 3230-6             | 1           | Bolt-CARR                |
| 13          | 1-800286           | 2           | Screw-HH                 | 30          | 119-8822           | 1           | Pulley-Idler             |
| 14          | 112-3799           | 1           | Belt-V                   | 31          | 98-4695            | 1           | Spacer                   |
| 15          | 139-2899           | 1           | Idler Arm ASM            |             |                    |             |                          |

# LH Transmission Assembly No. 147-0362



# LH Transmission Assembly No. 147-0362 (continued)

| <i>Ref.</i> | <i>Part Number</i> | <i>Qty.</i> | <i>Description</i>                  | <i>Ref.</i> | <i>Part Number</i> | <i>Qty.</i> | <i>Description</i>                 |
|-------------|--------------------|-------------|-------------------------------------|-------------|--------------------|-------------|------------------------------------|
| 1           | 140-9493           | 1           | Kit, Main Housing RH, Charge        | 81          | 125-0000           | 1           | Gear-43T                           |
| 2           | 140-9494           | 1           | Kit, Side Cover RH, Control         | 82          | 114-1693           | 1           | Gear-11T                           |
| 7           | 117-5359           | 16          | Screw-HHF                           | 83          | 104-5329           | 1           | Pin-Jackshaft                      |
| 11          | 135-1140           | 1           | Plug-Straight                       | 90          | 104-2169           | 1           | Ring-Retaining                     |
| 13          | 104-2147           | 1           | Sealant, Silicone - Non-Flammable ● | 91          | 114-1694           | 1           | Gear-54T                           |
| 23          | 109-3321           | 1           | Element-Oil Filter, HYD             | 92          | 120-7975           | 1           | Spacer                             |
| 30          | 139-7497           | 1           | Seal-Lip                            | 93          | 135-1361           | 1           | Bearing-Ball                       |
| 31          | 106-8677           | 1           | Ring-Retaining, External            | 95          | 130-8477           | 1           | Bearing-Ball                       |
| 32          | 114-1685           | 1           | Rod-Bypass                          | 96          | 104-2144           | 1           | Seal                               |
| 33          | 106-8679           | 1           | Ring-Retaining, Internal            | 97          | 109-5939           | 1           | Hub Kit                            |
| 34          | 107-2490           | 1           | Arm-Bypass                          | 102         | 125-0021           | 1           | Handle-Brake                       |
| 35          | 106-8681           | 1           | Ring-Retaining, External            | 103         | 131-0906           | 1           | Ring-Retaining, EXT                |
| 40          | 104-5304           | 1           | Swashplate-Trunnion                 | 106         | 139-7499           | 1           | Filter Guard Kit                   |
| 41          | 104-5313           | 1           | Seal-Lip                            | 111         | 109-3278           | 1           | Adapter-Straight                   |
| 42          | 104-2116           | 1           | Stud                                | 130         | 126-3251           | 2           | Tube-Charge                        |
| 48          | 139-4073           | 1           | Spacer                              | 156         | 115-5057           | 1           | Cover-Nut, Axle                    |
| 55          | 104-5308           | 1           | Spacer                              | 157         | 126-1930           | 1           | Gerotor Seal Kit                   |
| 56          | 104-5310           | 1           | Seal-Lip                            | 159         | 126-2290           | 1           | Spring, Torsion CCW                |
| 57          | 104-5309           | 1           | Ring-Retaining                      | 164         | 121-5745           | 1           | Spacer                             |
| 60          | 112-4154           | 1           | Bearing-Thrust                      | 193         | 140-8343           | 1           | Plug                               |
| 64          | 139-4074           | 1           | Cylinder Block ASM Kit              | 200         | 140-8351           | 1           | Seal Kit                           |
| 65          | 94-6922            | 1           | Bearing-Thrust                      | 201         | 114-8463           | 1           | RH Center Section Kit              |
| 69          | 110-8561           | 1           | Pump Block ASM                      | 202         | 114-8464           | 1           | Charge Relief Kit                  |
| 70          | 104-5339           | 1           | Washer-Flat                         | 203         | 114-8465           | 1           | Charge Kit                         |
| 71          | 104-5340           | 1           | Ring-Retaining                      | 207         | 135-7348           | 1           | Fan And Pulley Kit                 |
| 72          | 121-5749           | 1           | Gear-16T                            | 209         | 130-8482           | 1           | Hub Puller Kit                     |
| 73          | 114-1691           | 1           | Shaft-Motor                         | 210         | 139-7502           | 1           | Input Shaft Kit                    |
| 74          | 104-5360           | 1           | Washer                              | 211         | 139-4094           | 1           | Kit, Control Arm                   |
| 80          | 119-5541           | 2           | *obs* Washer                        | 212         | 114-8470           | 1           | Axle Shaft Kit                     |
|             |                    |             |                                     | 215         | 140-9497           | 1           | Kit, Outboard, RH Rot A / LH Rot B |

● Not illustrated

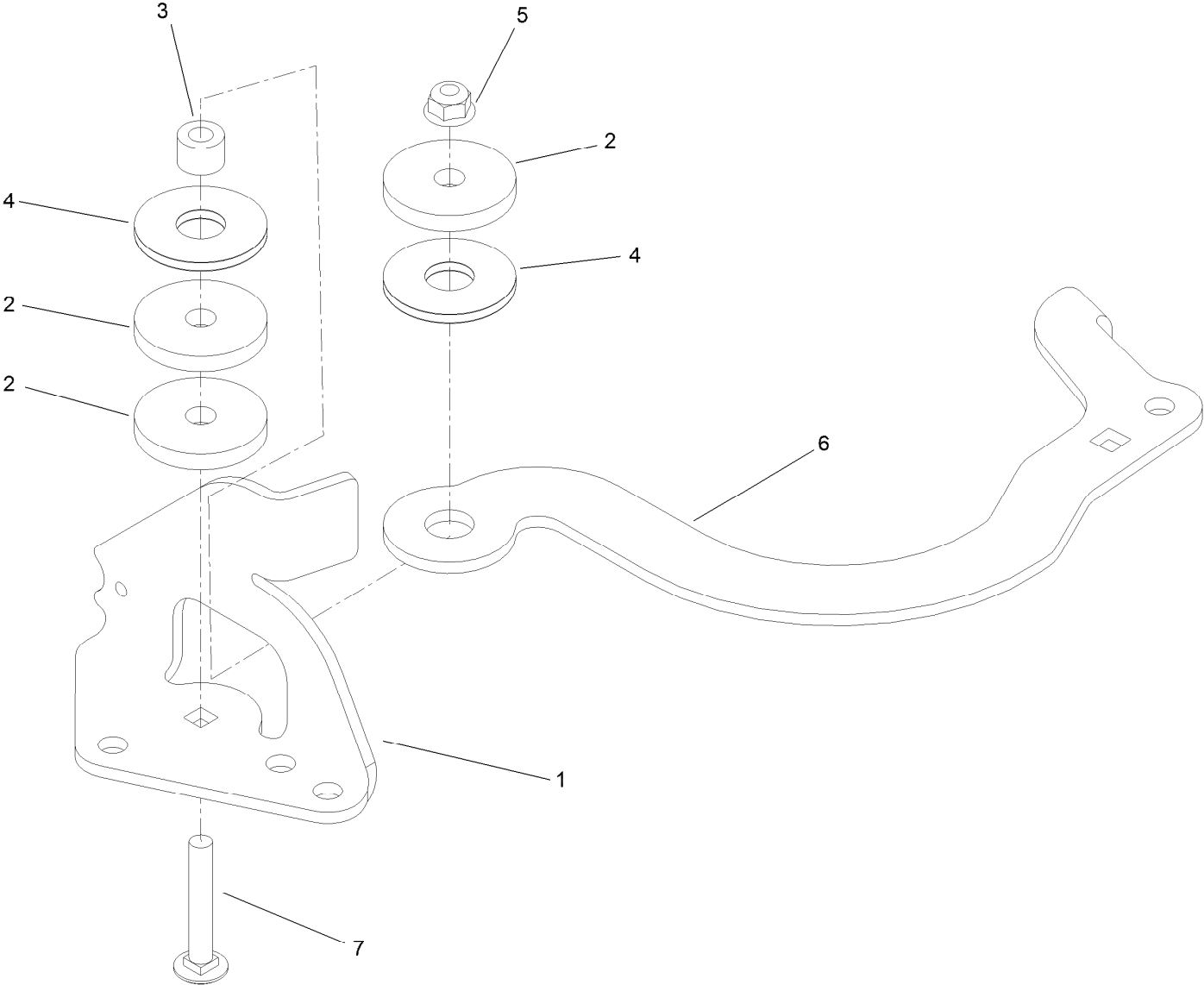


# RH Transmission Assembly No. 147-0363 (continued)

| <i>Ref.</i> | <i>Part Number</i> | <i>Qty.</i> | <i>Description</i>                  | <i>Ref.</i> | <i>Part Number</i> | <i>Qty.</i> | <i>Description</i>                 |
|-------------|--------------------|-------------|-------------------------------------|-------------|--------------------|-------------|------------------------------------|
| 1           | 140-9495           | 1           | Kit, Main Housing LH, Charge        | 81          | 125-0000           | 1           | Gear-43T                           |
| 2           | 140-9496           | 1           | Kit, Side Cover LH, Control         | 82          | 114-1693           | 1           | Gear-11T                           |
| 7           | 117-5359           | 16          | Screw-HHF                           | 83          | 104-5329           | 1           | Pin-Jackshaft                      |
| 11          | 135-1140           | 1           | Plug-Straight                       | 90          | 104-2169           | 1           | Ring-Retaining                     |
| 13          | 104-2147           | 1           | Sealant, Silicone - Non-Flammable ● | 91          | 114-1694           | 1           | Gear-54T                           |
| 23          | 109-3321           | 1           | Element-Oil Filter, HYD             | 92          | 120-7975           | 1           | Spacer                             |
| 30          | 139-7497           | 1           | Seal-Lip                            | 93          | 135-1361           | 1           | Bearing-Ball                       |
| 31          | 106-8677           | 1           | Ring-Retaining, External            | 95          | 120-7976           | 1           | Bearing-Ball                       |
| 32          | 114-1685           | 1           | Rod-Bypass                          | 96          | 104-2144           | 1           | Seal                               |
| 33          | 106-8679           | 1           | Ring-Retaining, Internal            | 97          | 109-5939           | 1           | Hub Kit                            |
| 34          | 112-9852           | 1           | Arm-Bypass                          | 102         | 125-0021           | 1           | Handle-Brake                       |
| 35          | 106-8681           | 1           | Ring-Retaining, External            | 103         | 131-0906           | 1           | Ring-Retaining, EXT                |
| 40          | 104-5304           | 1           | Swashplate-Trunnion                 | 106         | 139-7498           | 1           | Filter Guard Kit                   |
| 41          | 104-5313           | 1           | Seal-Lip                            | 111         | 109-3278           | 1           | Adapter-Straight                   |
| 42          | 104-2116           | 1           | Stud                                | 130         | 126-3251           | 2           | Tube-Charge                        |
| 48          | 139-4073           | 1           | Spacer                              | 156         | 115-5057           | 1           | Cover-Nut, Axle                    |
| 55          | 104-5308           | 1           | Spacer                              | 157         | 126-1930           | 1           | Gerotor Seal Kit                   |
| 56          | 104-5310           | 1           | Seal-Lip                            | 159         | 139-4099           | 1           | Spring, Torsion, CW                |
| 57          | 104-5309           | 1           | Ring-Retaining                      | 164         | 121-5745           | 1           | Spacer                             |
| 60          | 112-4154           | 1           | Bearing-Thrust                      | 193         | 140-8343           | 1           | Plug                               |
| 64          | 139-4074           | 1           | Cylinder Block ASM Kit              | 200         | 140-8351           | 1           | Seal Kit                           |
| 65          | 94-6922            | 1           | Bearing-Thrust                      | 201         | 114-8476           | 1           | LH Center Section Kit              |
| 69          | 110-8561           | 1           | Pump Block ASM                      | 202         | 114-8464           | 1           | Charge Relief Kit                  |
| 70          | 104-5339           | 1           | Washer-Flat                         | 203         | 114-8465           | 1           | Charge Kit                         |
| 71          | 104-5340           | 1           | Ring-Retaining                      | 207         | 135-7348           | 1           | Fan And Pulley Kit                 |
| 72          | 121-5749           | 1           | Gear-16T                            | 209         | 130-8482           | 1           | Hub Puller Kit                     |
| 73          | 114-1691           | 1           | Shaft-Motor                         | 210         | 139-7502           | 1           | Input Shaft Kit                    |
| 74          | 104-5360           | 1           | Washer                              | 211         | 139-7866           | 1           | Kit, Arm, Control                  |
| 80          | 119-5541           | 2           | *obs* Washer                        | 212         | 114-8470           | 1           | Axle Shaft Kit                     |
|             |                    |             |                                     | 215         | 140-9498           | 1           | Kit, Outboard, RH Rot B / LH Rot A |

● Not illustrated

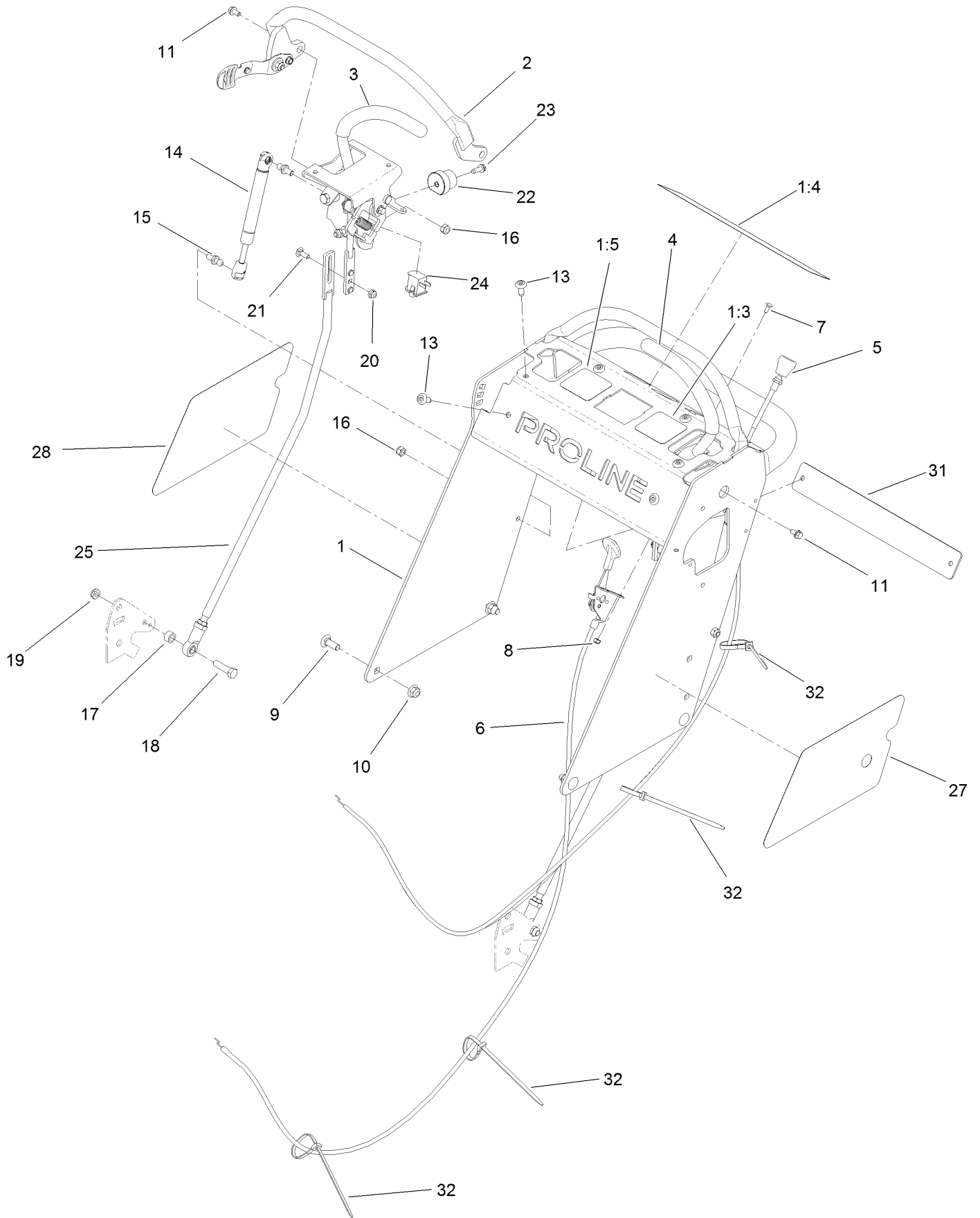
# Idler Arm Assembly No. 139-2899



## Idler Arm Assembly No. 139-2899 (continued)

| <i>Ref.</i> | <i>Part Number</i> | <i>Qty.</i> | <i>Description</i>         | <i>Ref.</i> | <i>Part Number</i> | <i>Qty.</i> | <i>Description</i> |
|-------------|--------------------|-------------|----------------------------|-------------|--------------------|-------------|--------------------|
| 1           | 138-6819           | 1           | Mount-Idler                | 5           | 104-8300           | 1           | Nut-HF, NI         |
| 2           | 110-9981           | 3           | Washer-Plain               | 6           | 139-2900           | 1           | Arm-Idler          |
| 3           | 114-8549           | 1           | Bushing                    | 7           | 126-0699           | 1           | Bolt-CARR          |
| 4           | 114-0463           | 2           | Washer-Friction, Composite |             |                    |             |                    |

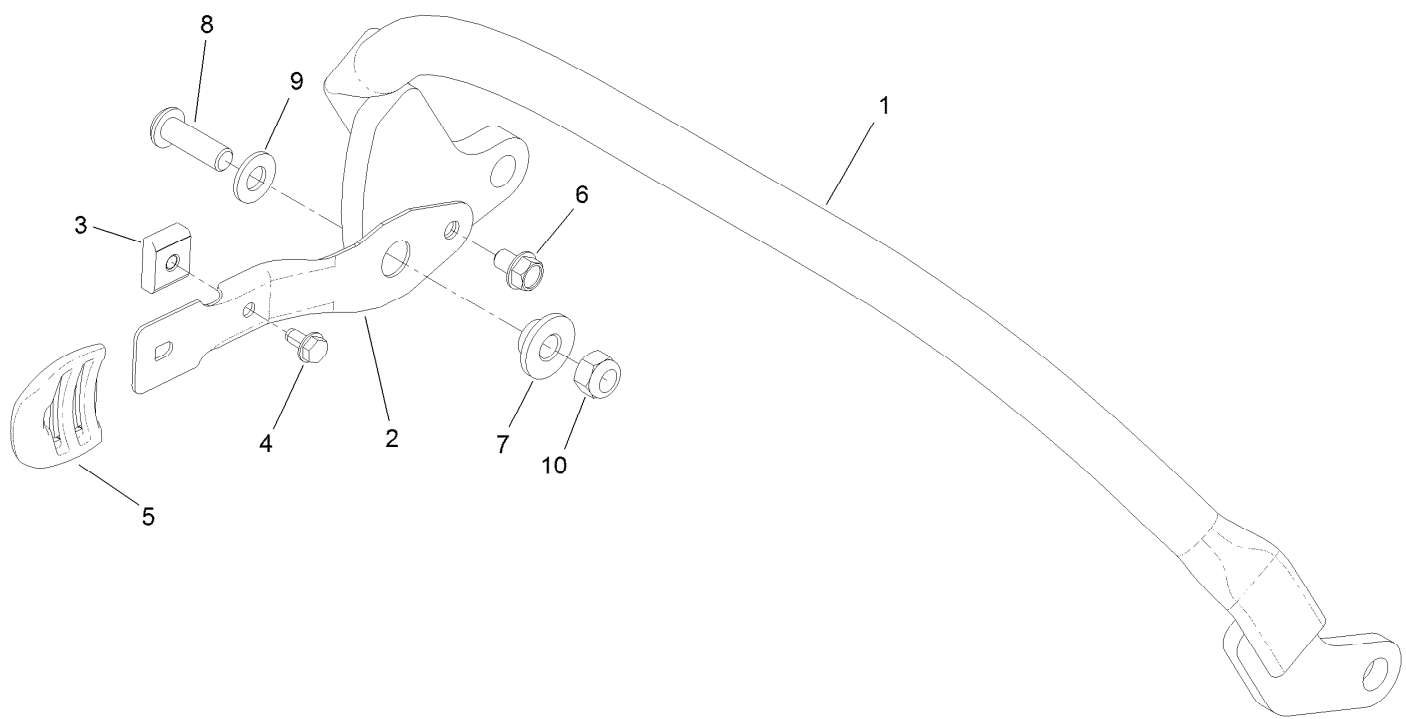
# Operator Control Assembly



## Operator Control Assembly (continued)

| <i>Ref.</i> | <i>Part Number</i> | <i>Qty.</i> | <i>Description</i>       | <i>Ref.</i> | <i>Part Number</i> | <i>Qty.</i> | <i>Description</i> |
|-------------|--------------------|-------------|--------------------------|-------------|--------------------|-------------|--------------------|
| 1           | 139-2850           | 1           | Tower ASM                | 15          | 103-5752           | 4           | Stud-Ball          |
| 1:3         | 138-8816           | 1           | Decal-OPC Control, Left  | 16          | 3296-72            | 4           | Nut-Lock, NI       |
| 1:4         | 138-8818           | 1           | Decal-Warning, Control   | 17          | 121-2608           | 2           | Spacer             |
| 1:5         | 139-2874           | 1           | Decal-OPC Control, Right | 18          | 323-29             | 2           | Screw-HH           |
| 2           | 139-1475           | 1           | Reference Bar Assembly   | 19          | 3296-59            | 2           | Nut-Lock, NI       |
| 3           | 139-1532           | 1           | Control Handle ASM, RH   | 20          | 104-7201           | 2           | Nut-HF, NI         |
| 4           | 139-1487           | 1           | Control Handle ASM, LH   | 21          | 3229-1             | 2           | Screw-CARR         |
| 5           | 126-2107           | 1           | Cable, Choke             | 22          | 126-1499           | 2           | Cam                |
| 6           | 109-3958           | 1           | Control-Throttle         | 23          | 49-2040            | 2           | Screw-HWHTF        |
| 7           | 3229-34            | 2           | Screw-CARR               | 24          | 82-2190            | 2           | Switch-Bail        |
| 8           | 3296-2             | 2           | Nut-Lock, NI             | 25          | 139-2913           | 2           | Control Rod ASM    |
| 9           | 3231-22            | 4           | Screw-CARR               | 27          | 140-4253           | 1           | Decal-Proline, LH  |
| 10          | 104-8301           | 4           | Nut-HF, NI               | 28          | 140-4254           | 1           | Decal-Proline, RH  |
| 11          | 119-1065           | 2           | Screw-Lock, HF           | 31          | 140-4251-03        | 1           | Plate-Cover        |
| 13          | 138-9753           | 6           | Screw                    | 32          | 3290-378           | 3           | Tie-Cable          |
| 14          | 139-1523           | 2           | Damper                   |             |                    |             |                    |

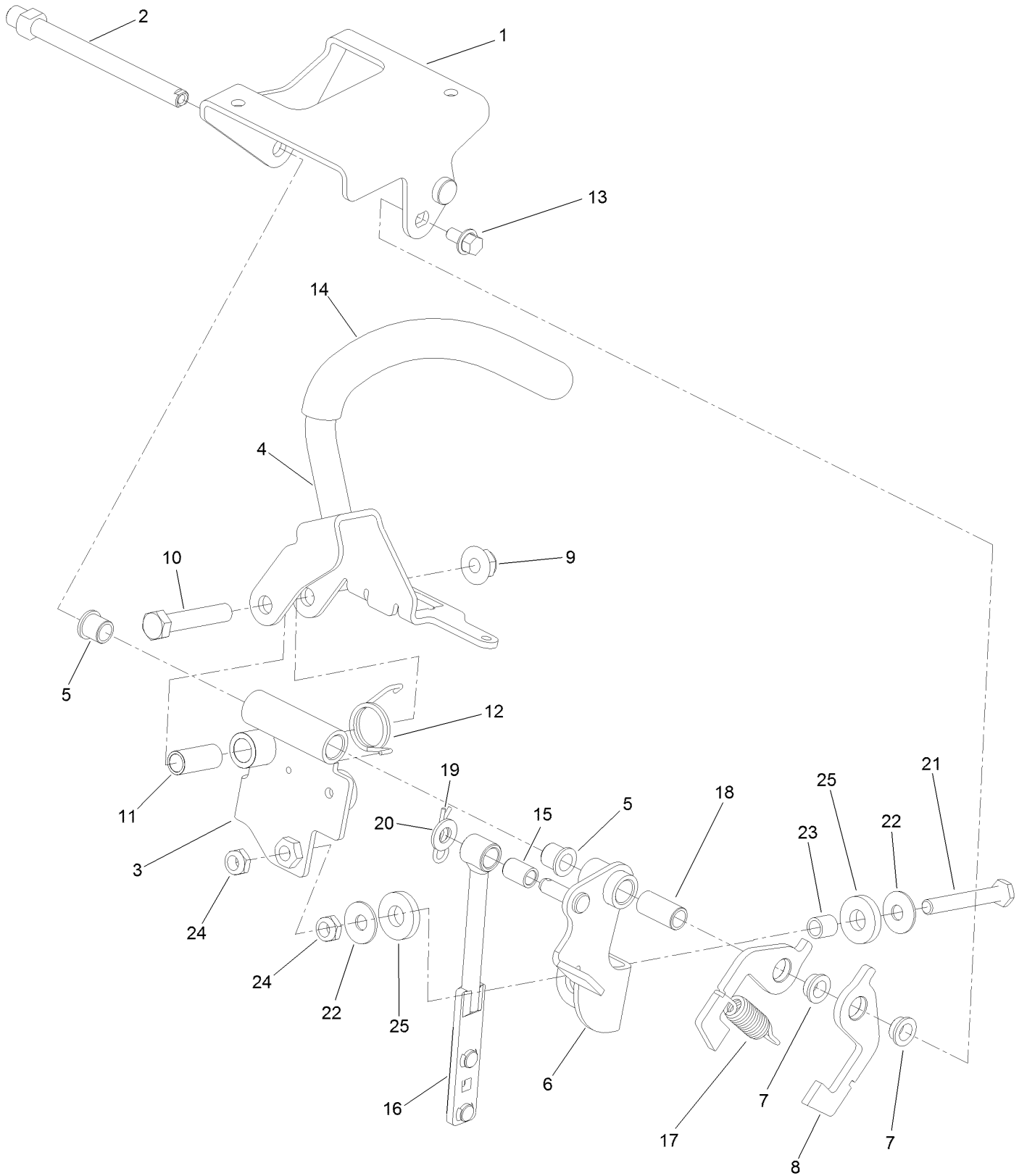
# Reference Bar Assembly No. 139-1475



## Reference Bar Assembly No. 139-1475 (continued)

| <i>Ref.</i> | <i>Part Number</i> | <i>Qty.</i> | <i>Description</i> | <i>Ref.</i> | <i>Part Number</i> | <i>Qty.</i> | <i>Description</i>     |
|-------------|--------------------|-------------|--------------------|-------------|--------------------|-------------|------------------------|
| 1           | 139-2855-01        | 1           | Reference Bar      | 6           | 99-8445            | 1           | Screw-HWH              |
| 2           | 121-1431-03        | 1           | Arm-Spring         | 7           | 117-5991           | 1           | Washer-Stepped, Baffle |
| 3           | 131-5377           | 1           | Key-Arm, Spring    | 8           | 119-6903           | 1           | Screw-HSBH             |
| 4           | 104-2065           | 1           | Screw-HWH          | 9           | 120-9683           | 1           | Washer-Plain           |
| 5           | 125-1093           | 1           | Knob-Lever, HOC    | 10          | 3296-72            | 1           | Nut-Lock, NI           |

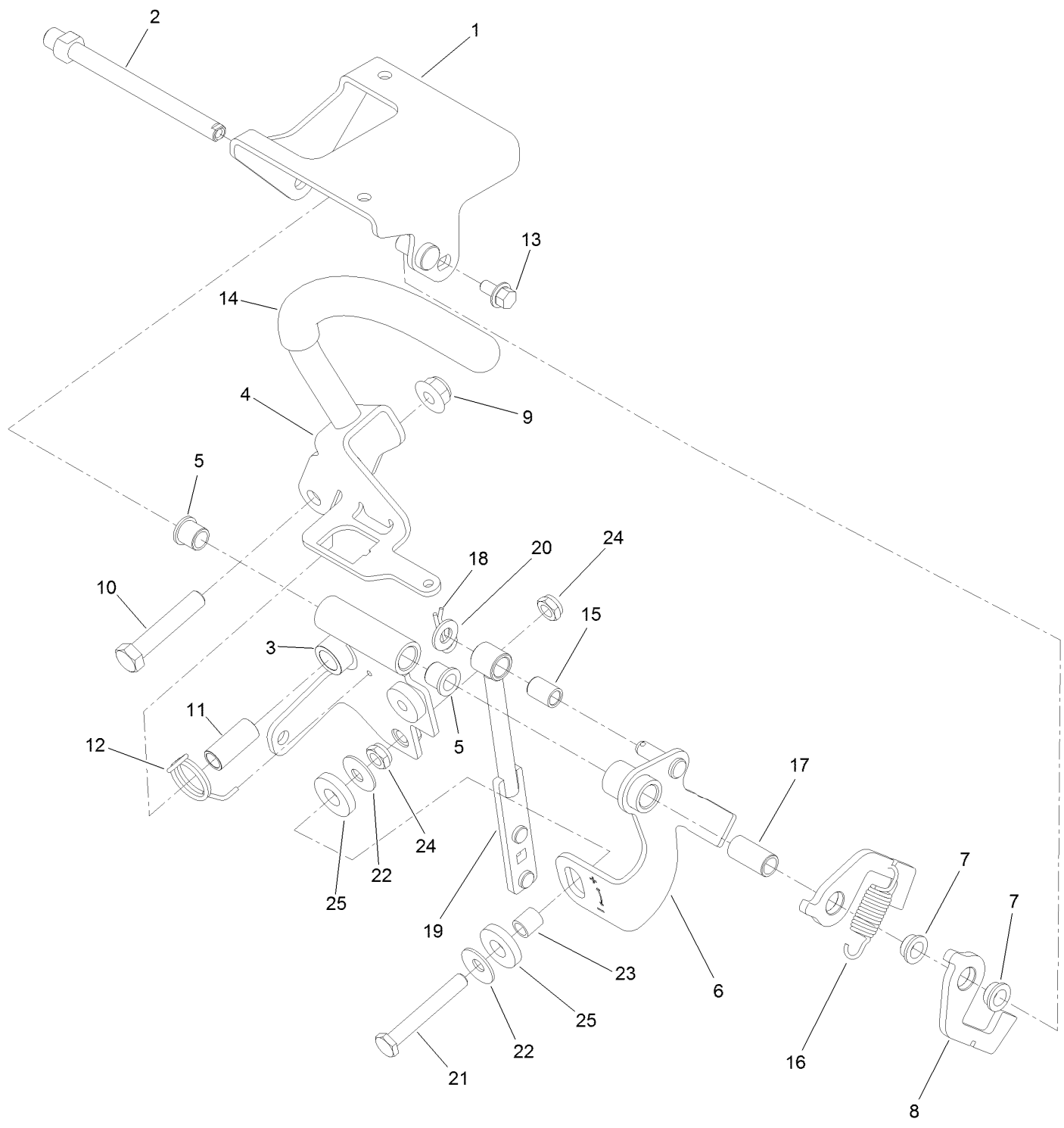
# RH Control Handle Assembly No. 139-1532



## RH Control Handle Assembly No. 139-1532 (continued)

| <i>Ref.</i> | <i>Part Number</i> | <i>Qty.</i> | <i>Description</i>    | <i>Ref.</i> | <i>Part Number</i> | <i>Qty.</i> | <i>Description</i>   |
|-------------|--------------------|-------------|-----------------------|-------------|--------------------|-------------|----------------------|
| 1           | 139-2852           | 1           | Bracket-Mount, RH     | 14          | 139-2863           | 1           | Grip-Handle          |
| 2           | 139-1486           | 1           | Pin-Pivot             | 15          | 139-2869           | 1           | Bushing              |
| 3           | 139-1535           | 1           | Motion Control ASM RH | 16          | 139-2917           | 1           | Control Rod Assembly |
| 4           | 139-1540           | 1           | RH Lever ASM          | 17          | 139-2859           | 1           | Spring-Extension     |
| 5           | 103-9928           | 2           | Bearing               | 18          | 139-2875           | 1           | Bushing              |
| 6           | 139-2903           | 1           | Motion Control ASM RH | 19          | 1-806003           | 1           | Pin-Cotter           |
| 7           | 139-1525           | 2           | Bushing-Flanged Nylon | 20          | 3256-23            | 1           | Washer-Plain         |
| 8           | 139-1513           | 2           | Plate-Spring          | 21          | 9114524            | 1           | Bolt-TAP, HH         |
| 9           | 104-8301           | 1           | Nut-HF, NI            | 22          | 3290-456           | 2           | Washer-Belleville    |
| 10          | 323-10             | 1           | Screw-HH              | 23          | 139-7876           | 1           | Spacer               |
| 11          | 131-3562           | 1           | Bearing-Sleeve        | 24          | 3296-47            | 2           | Nut-Lock,NI          |
| 12          | 139-1538           | 1           | Spring-Torsion        | 25          | 139-7883           | 2           | Washer-Rubber        |
| 13          | 3234-13            | 1           | Screw-HHF             |             |                    |             |                      |

# LH Control Handle Assembly No. 139-1487



# LH Control Handle Assembly No. 139-1487 (continued)

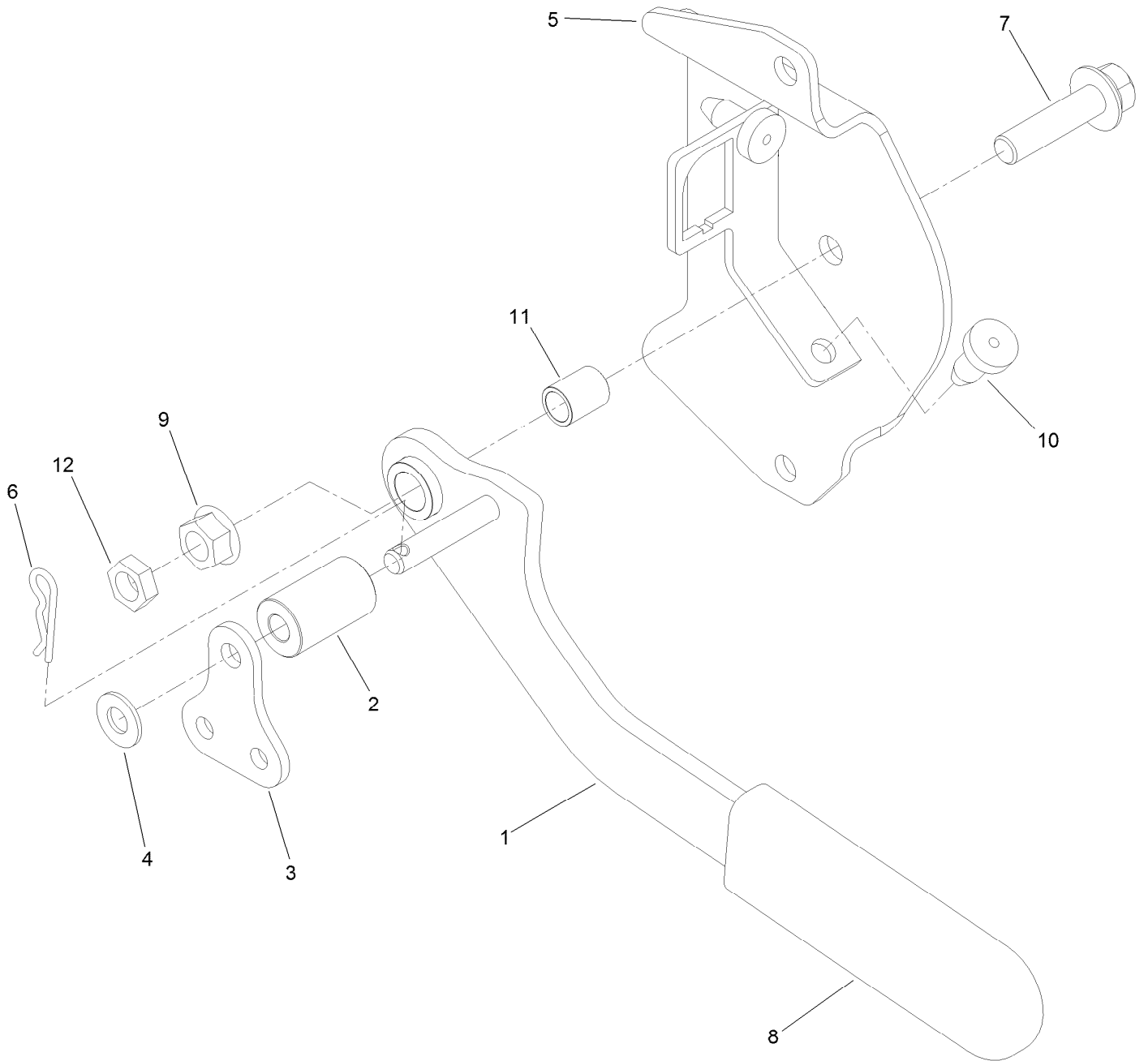
| <i>Ref.</i> | <i>Part Number</i> | <i>Qty.</i> | <i>Description</i>    | <i>Ref.</i> | <i>Part Number</i> | <i>Qty.</i> | <i>Description</i>   |
|-------------|--------------------|-------------|-----------------------|-------------|--------------------|-------------|----------------------|
| 1           | 139-2851           | 1           | Bracket-Mount, LH     | 14          | 139-2863           | 1           | Grip-Handle          |
| 2           | 139-1486           | 1           | Pin-Pivot             | 15          | 139-2869           | 1           | Bushing              |
| 3           | 139-1490           | 1           | Motion Control ASM LH | 16          | 139-2859           | 1           | Spring-Extension     |
| 4           | 139-1495           | 1           | LH Lever ASM          | 17          | 139-2875           | 1           | Bushing              |
| 5           | 103-9928           | 2           | Bearing               | 18          | 1-806003           | 1           | Pin-Cotter           |
| 6           | 139-2865           | 1           | Motion Control ASM LH | 19          | 139-2917           | 1           | Control Rod Assembly |
| 7           | 139-1525           | 2           | Bushing-Flanged Nylon | 20          | 3256-23            | 1           | Washer-Plain         |
| 8           | 139-1513           | 2           | Plate-Spring          | 21          | 9114524            | 1           | Bolt-TAP, HH         |
| 9           | 104-8301           | 1           | Nut-HF, NI            | 22          | 3290-456           | 2           | Washer-Belleville    |
| 10          | 323-10             | 1           | Screw-HH              | 23          | 139-7876           | 1           | Spacer               |
| 11          | 131-3562           | 1           | Bearing-Sleeve        | 24          | 3296-47            | 2           | Nut-Lock,NI          |
| 12          | 139-1508           | 1           | Spring-Torsion        | 25          | 139-7883           | 2           | Washer-Rubber        |
| 13          | 3234-13            | 1           | Screw-HHF             |             |                    |             |                      |



## Brake Assembly (continued)

| <i>Ref.</i> | <i>Part Number</i> | <i>Qty.</i> | <i>Description</i> | <i>Ref.</i> | <i>Part Number</i> | <i>Qty.</i> | <i>Description</i>   |
|-------------|--------------------|-------------|--------------------|-------------|--------------------|-------------|----------------------|
| 1           | 138-5841           | 1           | Cable-Brake        | 8           | 283-75             | 2           | Pin-Clevis           |
| 2           | 138-5842           | 1           | Cable-Brake        | 9           | 1-806003           | 2           | Pin-Cotter           |
| 3           | 138-5844           | 1           | Brake Assembly     | 10          | 3256-23            | 2           | Washer-Plain         |
| 4           | 132-7582           | 1           | Mount-Cable, Brake | 11          | 138-9753           | 2           | Screw                |
| 5           | 3230-28            | 2           | Screw-CARR         | 12          | 116-5988           | 1           | Decal-Park Brake, CE |
| 6           | 104-8300           | 3           | Nut-HF, NI         | 13          | 82-2190            | 1           | Switch-Bail          |
| 7           | 132-1187           | 1           | Clamp-Cable        |             |                    |             |                      |

# Brake Assembly No. 138-5844

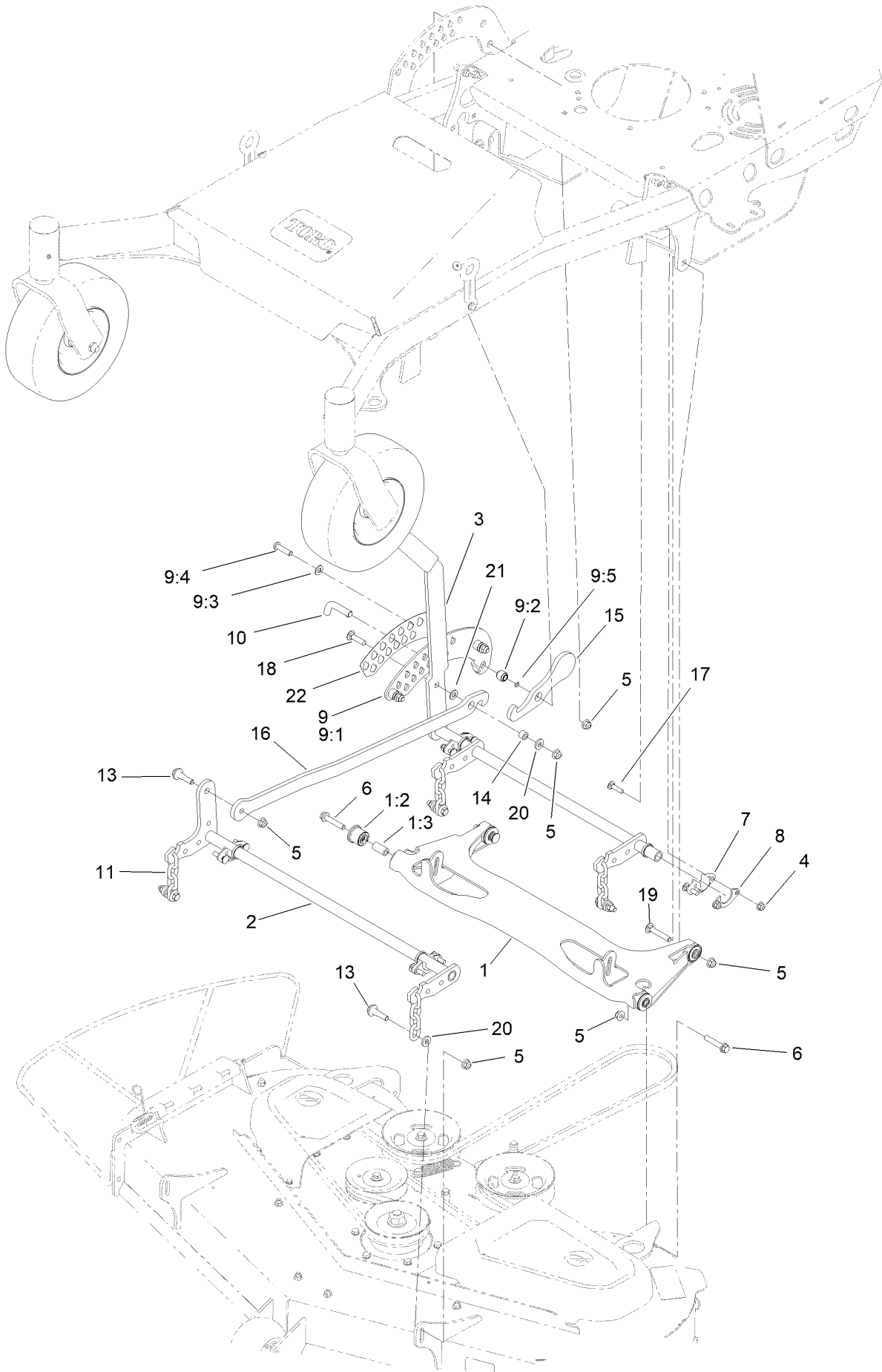


## Brake Assembly No. 138-5844 (continued)

| <i>Ref.</i> | <i>Part Number</i> | <i>Qty.</i> | <i>Description</i> |
|-------------|--------------------|-------------|--------------------|
| 1           | 138-5845           | 1           | Handle-Brake       |
| 2           | 77-3180            | 1           | Spacer             |
| 3           | 138-6870           | 1           | Yoke-Cable         |
| 4           | 93-6079            | 1           | Spacer-Nylon       |
| 5           | 144-1515           | 1           | Bracket ASM-Brake  |
| 6           | 1-806003           | 1           | Pin-Cotter         |

| <i>Ref.</i> | <i>Part Number</i> | <i>Qty.</i> | <i>Description</i> |
|-------------|--------------------|-------------|--------------------|
| 7           | 114-4681           | 1           | Screw-HHF          |
| 8           | 1-633268           | 1           | Grip-Lever         |
| 9           | 32128-21           | 1           | Nut-HF Lock        |
| 10          | 87-8460            | 2           | Bumper-Rubber      |
| 11          | 139-2942           | 1           | Bearing-Sleeve     |
| 12          | 3218-3             | 1           | Nut-Jam            |

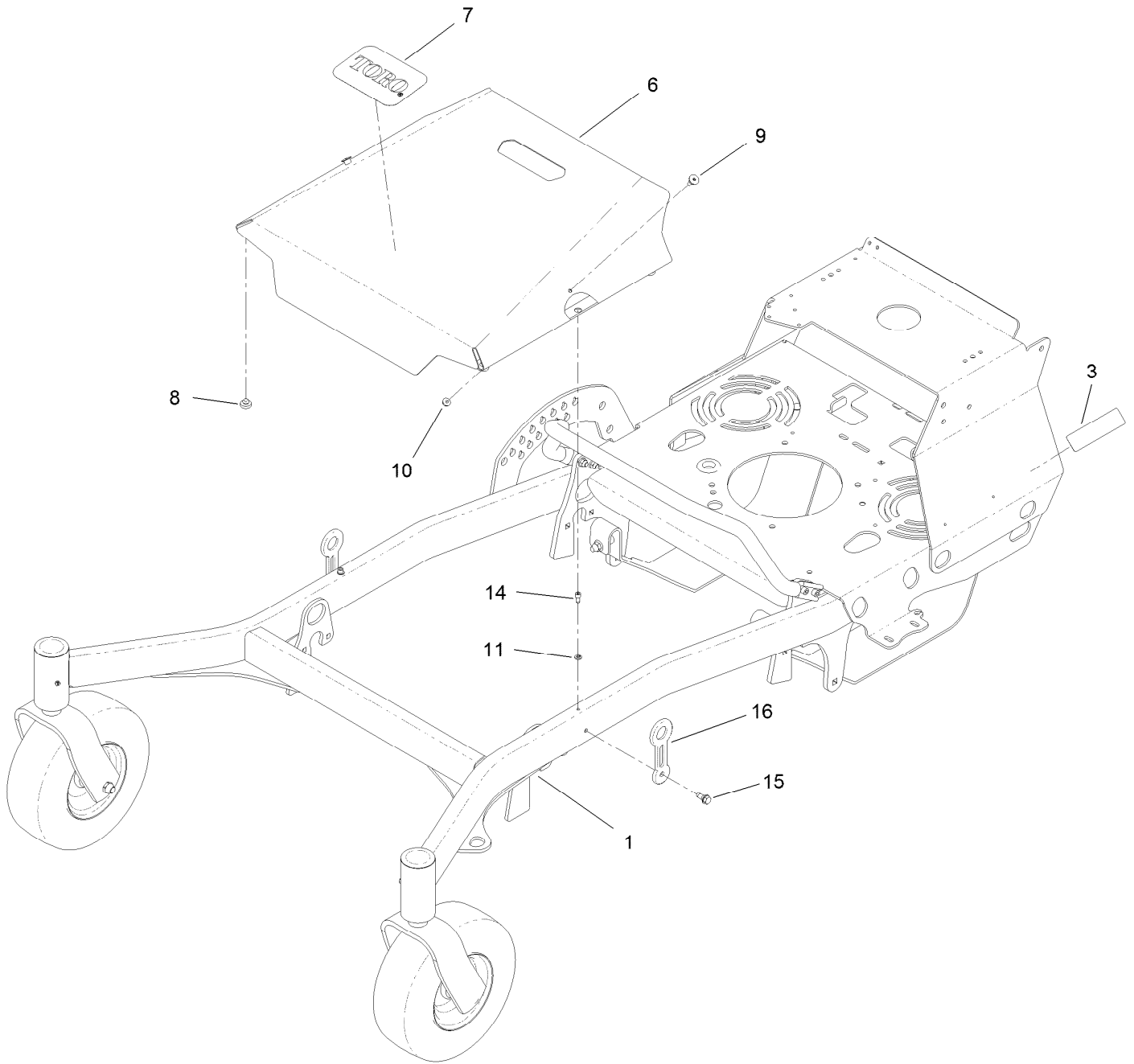
# Deck Lift Assembly



## Deck Lift Assembly (continued)

| <i>Ref.</i> | <i>Part Number</i> | <i>Qty.</i> | <i>Description</i>            | <i>Ref.</i> | <i>Part Number</i> | <i>Qty.</i> | <i>Description</i>     |
|-------------|--------------------|-------------|-------------------------------|-------------|--------------------|-------------|------------------------|
| 1           | 138-5858           | 1           | Deck Strut ASM                | 9:4         | 95-3857            | 3           | Screw-HSBH             |
| 1:2         | 126-8360           | 4           | Bushing-Rubber,<br>Suspension | 9:5         | 237-21             | 3           | O-Ring                 |
| 1:3         | 108-6544           | 4           | Spacer                        | 10          | 138-7203           | 1           | Pin-HOC                |
| 2           | 138-5861           | 1           | Pivot ASM-Front               | 11          | 138-7205           | 4           | Chain-Decklift, 4-Link |
| 3           | 138-6869           | 1           | Pivot ASM                     | 13          | 130-0742           | 5           | Bolt-Shoulder          |
| 4           | 104-8300           | 8           | Nut-HF, NI                    | 14          | 115-4986           | 1           | Spacer                 |
| 5           | 104-8301           | 13          | Nut-HF, NI                    | 15          | 138-5860           | 1           | Lever-Lock             |
| 6           | 108-3742           | 2           | Screw-HHF                     | 16          | 138-5863-03        | 1           | Link - HOC             |
| 7           | 139-5872           | 4           | Bearing-Flange                | 17          | 3230-3             | 8           | Screw-CARR             |
| 8           | 138-7204           | 4           | Gusset-Deck Lift              | 18          | 3231-4             | 1           | Screw-CARR             |
| 9           | 138-6890           | 1           | HOC Standoff ASM              | 19          | 3231-7             | 2           | Screw-CARR             |
| 9:1         | 138-1009           | 1           | Plate - HOC                   | 20          | 138-7207           | 5           | Spacer-Hub, Blower     |
| 9:2         | 138-7201           | 3           | Spacer-Double Step            | 21          | 48-9220            | 1           | Washer-Flat            |
| 9:3         | 48-9220            | 3           | Washer-Flat                   | 22          | 138-8821           | 1           | Decal-HOC              |

# Hood Assembly

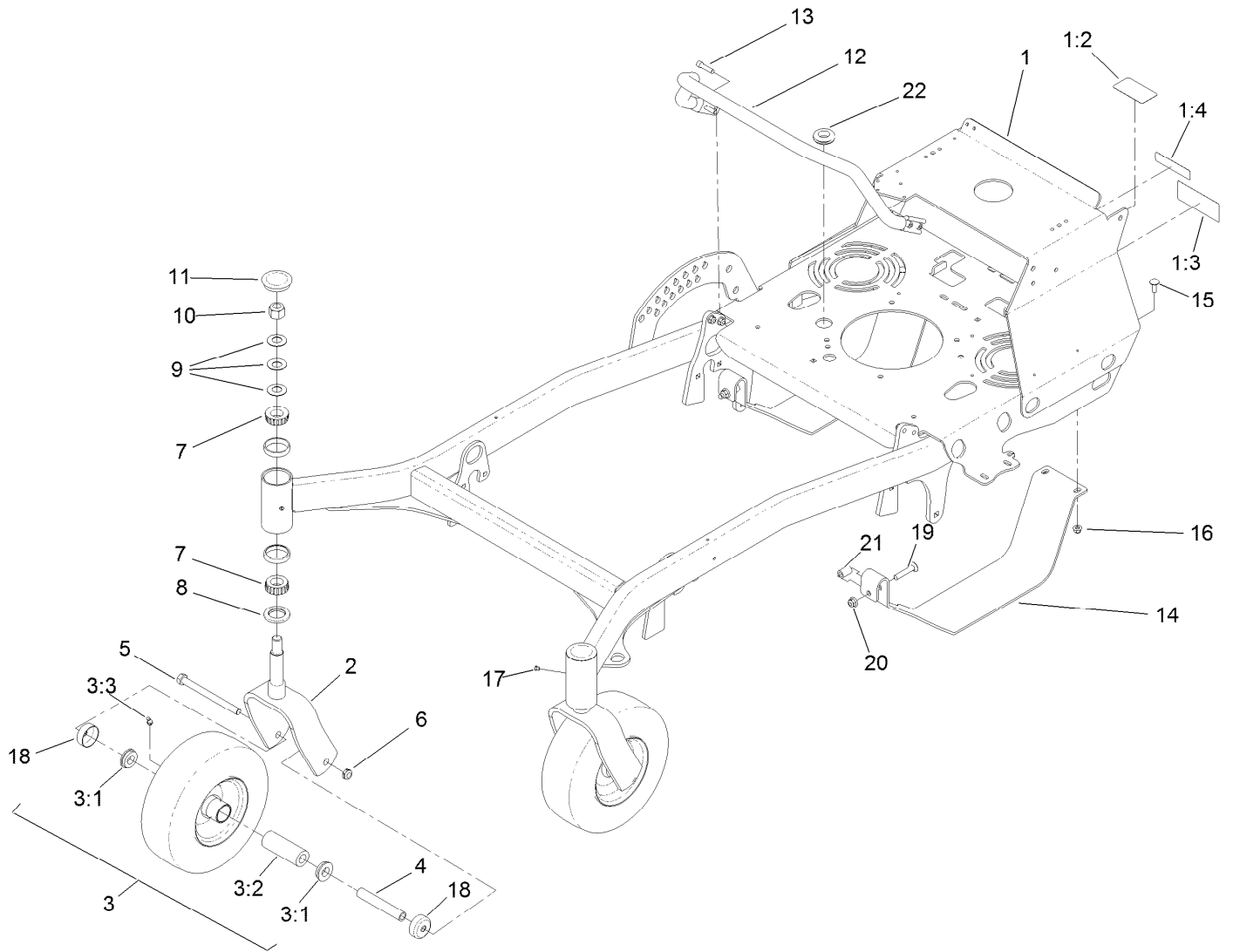


## Hood Assembly (continued)

| <i>Ref.</i> | <i>Part Number</i> | <i>Qty.</i> | <i>Description</i>   | <i>Ref.</i> | <i>Part Number</i> | <i>Qty.</i> | <i>Description</i>           |
|-------------|--------------------|-------------|----------------------|-------------|--------------------|-------------|------------------------------|
| 1           |                    | 1           | Frame Assembly ●     | 10          | 104-7201           | 2           | Nut-HF, NI                   |
| 3           | 133-8062           | 1           | Decal-Spark Arrestor | 11          | 3253-3             | 2           | Washer-Lock                  |
| 6           | 140-4331-03        | 1           | Cover-Deck, Wide     | 14          | 65-5220            | 2           | Screw-HSH, Thread<br>Forming |
| 7           | 99-4693            | 1           | Decal                | 15          | 126-4424           | 2           | Screw-Shoulder               |
| 8           | 1-513658           | 4           | Bumper               | 16          | ST47182            | 2           | Latch-Rubber                 |
| 9           | 125-1122           | 2           | Screw                |             |                    |             |                              |

● Not serviced separately

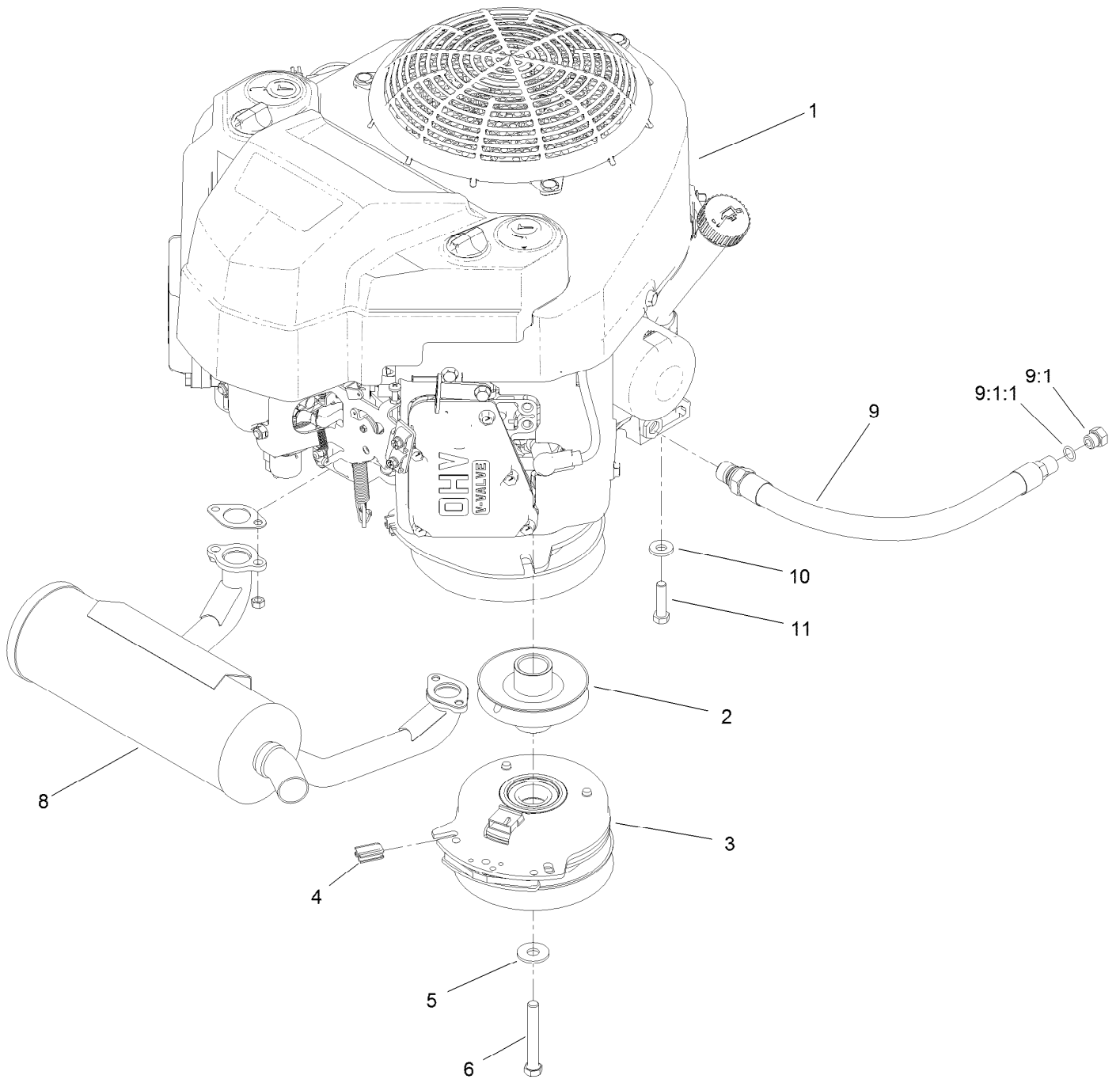
# Frame Assembly



## Frame Assembly (continued)

| <i>Ref.</i> | <i>Part Number</i> | <i>Qty.</i> | <i>Description</i>      | <i>Ref.</i> | <i>Part Number</i> | <i>Qty.</i> | <i>Description</i>  |
|-------------|--------------------|-------------|-------------------------|-------------|--------------------|-------------|---------------------|
| 1           | 140-1865           | 1           | Frame ASM               | 9           | 1-633508           | 6           | Washer-Bellville    |
| 1:2         | 138-8820           | 1           | Decal - Bypass          | 10          | 3296-51            | 2           | Nut-Lock, NI        |
| 1:3         | 126-1400           | 1           | Decal-Warning, Sulky    | 11          | 103-4882           | 2           | Cap-Grease          |
| 1:4         | 98-1977            | 1           | Decal-Warning           | 12          | 138-5881-03        | 1           | Tube, Muffler Guard |
| 2           | 121-7988-01        | 2           | Fork-Caster             | 13          | 3274-18            | 4           | Screw-HSH           |
| 3           | 140-4286           | 2           | Wheel And Tire ASM      | 14          | 139-2938-03        | 2           | Guard-Transmission  |
| 3:1         | 1-513810           | 2           | Bushing                 | 15          | 3230-10            | 4           | Bolt-CARR           |
| 3:2         | 1-513809           | 1           | Bearing                 | 16          | 104-8300           | 8           | Nut-HF, NI          |
| 3:3         | 161-9925           | 1           | Fitting-Grease, 45      | 17          | 1-811010           | 2           | Plug                |
| 4           | 1-513547           | 2           | Spacer                  | 18          | 133-7088           | 4           | Guard-Seal          |
| 5           | 325-20             | 2           | Screw-HH                | 19          | 117-9971           | 2           | Bolt-Carriage       |
| 6           | 3296-45            | 2           | Nut-Hex                 | 20          | 104-8301           | 2           | Nut-HF, NI          |
| 7           | 1-543509           | 4           | Bearing-Roller, Tapered | 21          | 114-2754           | 2           | Spacer              |
| 8           | 1-543511           | 2           | Seal-Grease             | 22          | 1-543286           | 1           | Grommet             |

# Engine Assembly



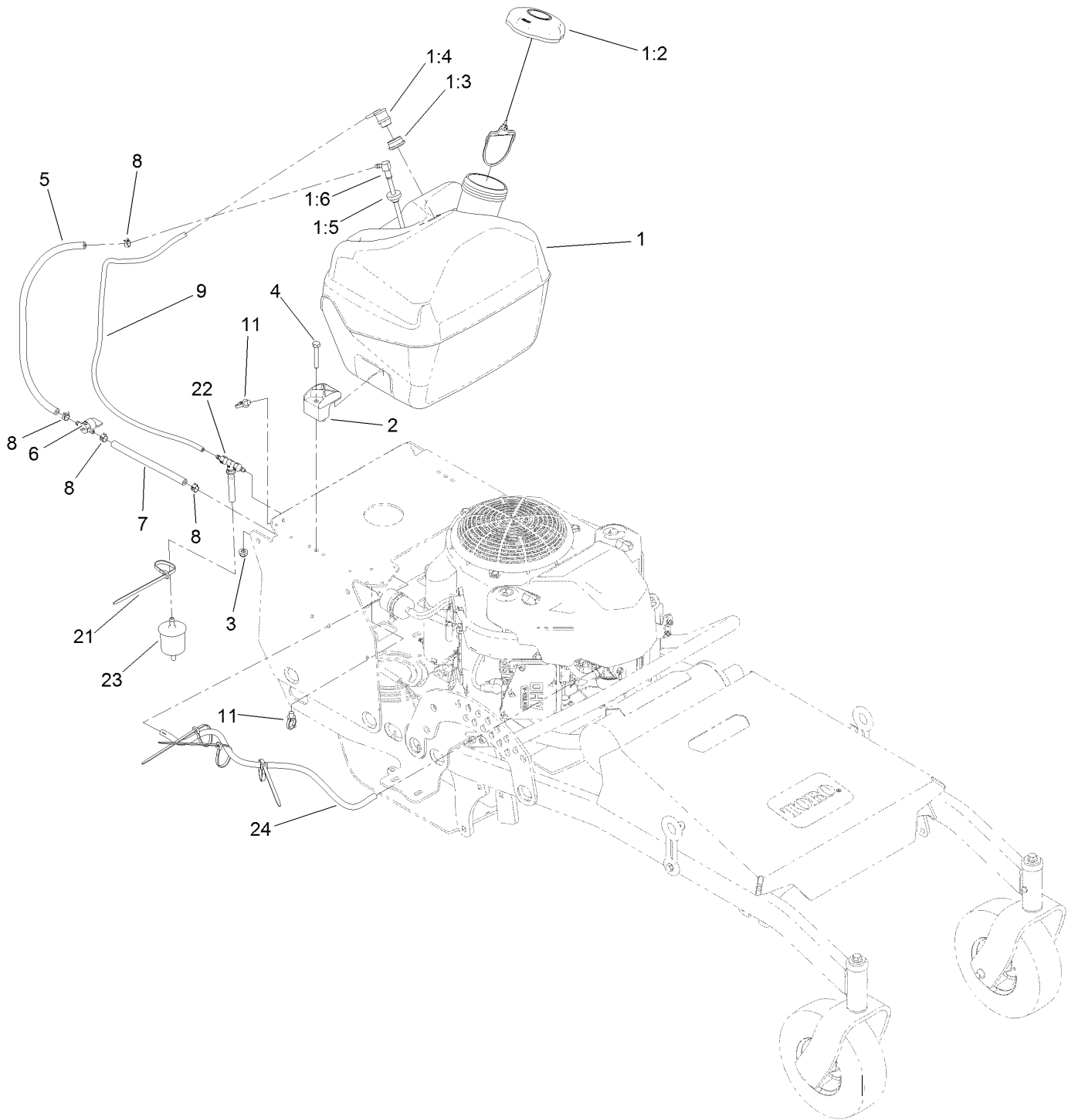
## Engine Assembly (continued)

| <i>Ref.</i> | <i>Part Number</i> | <i>Qty.</i> | <i>Description</i>            | <i>Ref.</i> | <i>Part Number</i> | <i>Qty.</i> | <i>Description</i>        |
|-------------|--------------------|-------------|-------------------------------|-------------|--------------------|-------------|---------------------------|
| 1           |                    | 1           | Engine-Kawasaki, Fs600V<br>■▲ | 8           | 116-3735           | 1           | Muffler-Horizontal        |
| 2           | 139-2879           | 1           | Pulley                        | 9           | 116-5052           | 1           | Asm-Oil Drain Hose W/Plug |
| 3           | 127-3410           | 1           | Clutch-PTO                    | 9:1         | 353-508            | 1           | Plug-HH ●                 |
| 4           | 120-2217           | 1           | Isolator-Clutch               | 9:1:1       | 237-42             | 1           | O-Ring                    |
| 5           | 94-2701            | 1           | Washer-Hardened               | 10          | 98-5975            | 3           | Washer-Belleville         |
| 6           | 126-7198           | 1           | Screw-HH W/Loctite            | 11          | 323-8              | 4           | Screw-HH                  |

● Torque to 20-24 ft-lb  
▲ Obtain parts from [www.kawpower.com](http://www.kawpower.com)

■ Not serviced separately

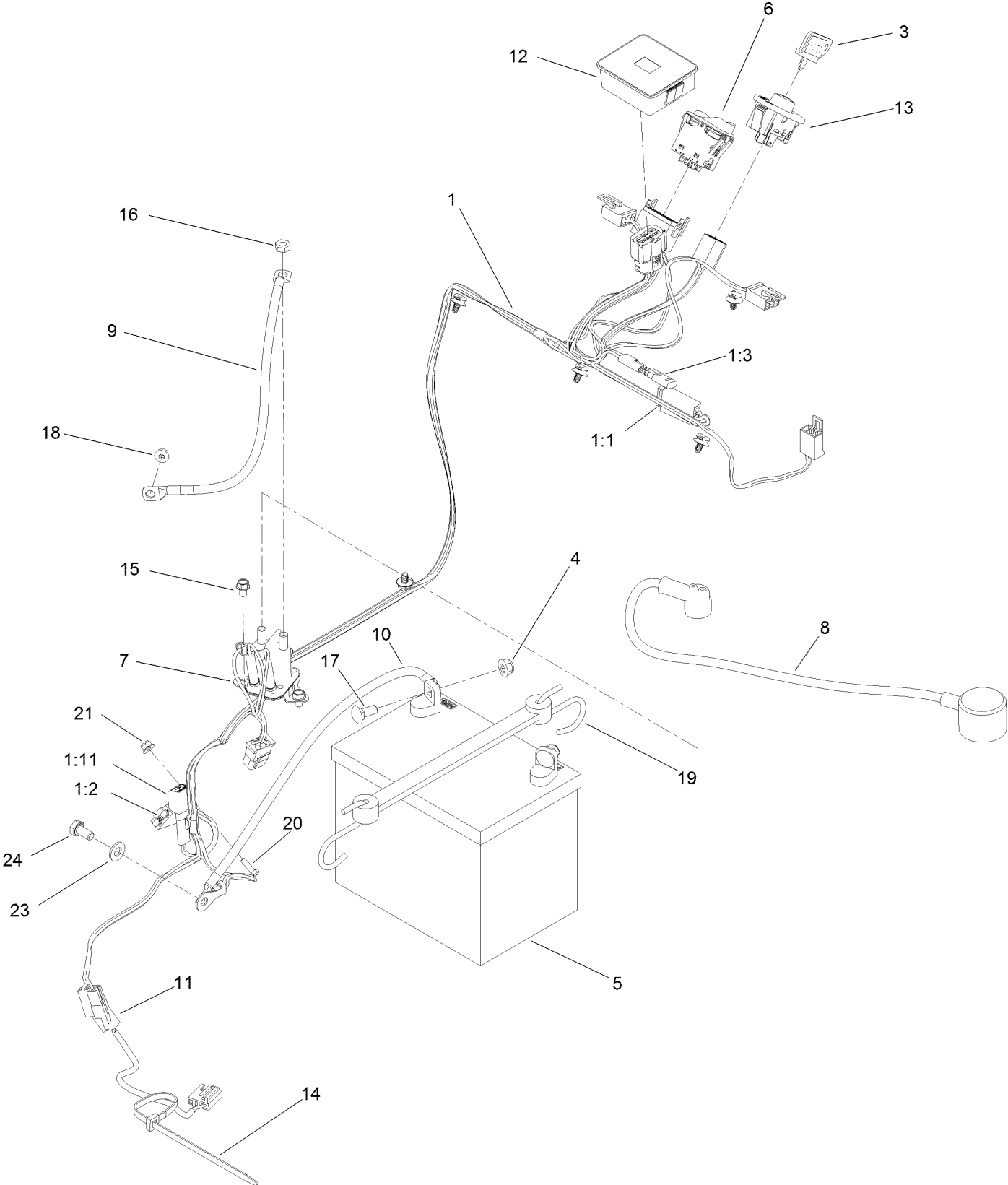
# Fuel System Assembly



## Fuel System Assembly (continued)

| <i>Ref.</i> | <i>Part Number</i> | <i>Qty.</i> | <i>Description</i>                  | <i>Ref.</i> | <i>Part Number</i> | <i>Qty.</i> | <i>Description</i> |
|-------------|--------------------|-------------|-------------------------------------|-------------|--------------------|-------------|--------------------|
| 1           | 140-4343           | 1           | Fuel Tank ASM, 5 Gal                | 5           | 114-4428           | 1           | Hose-Fuel          |
| 1:2         | 137-4119           | 1           | Cap-Fuel, Ratcheting                | 6           | 1-603770           | 1           | Valve-Fuel         |
| 1:3         | 114-0284           | 1           | Grommet                             | 7           | 110-1876           | 1           | Hose-Fuel          |
| 1:4         | 119-3547           | 1           | Valve-Vent, Fuel                    | 8           | 2412-98            | 4           | Clamp-Hose         |
| 1:5         | 46-6560            | 1           | Bushing                             | 9           | 138-8837           | 1           | Hose, Emissions    |
| 1:6         | 109-9364           | 1           | Fitting-Fuel (W/Line And<br>Screen) | 11          | 32180-030          | 2           | Clip-Tie           |
| 2           | 107-4543           | 2           | Clamp                               | 21          | 3290-378           | 4           | Tie-Cable          |
| 3           | 104-8300           | 2           | Nut-HF, NI                          | 22          | 116-5464           | 1           | Tee And Check      |
| 4           | 322-10             | 2           | Screw-HH                            | 23          | 120-2235           | 1           | Filter-Fuel        |
|             |                    |             |                                     | 24          | 119-6074           | 1           | Hose-Fuel          |

# Electrical Harness and Battery Assembly



## Electrical Harness and Battery Assembly (continued)

| <i>Ref.</i> | <i>Part Number</i> | <i>Qty.</i> | <i>Description</i>         | <i>Ref.</i> | <i>Part Number</i> | <i>Qty.</i> | <i>Description</i>     |
|-------------|--------------------|-------------|----------------------------|-------------|--------------------|-------------|------------------------|
| 1           | 138-8840           | 1           | Harness-Wire, Wasp         | 11          | 126-0624           | 1           | Harness-Clutch Pigtail |
| 1:1         | 109355             | 1           | Fuse-Blade, 15 Amp         | 12          | 139-5561           | 1           | Module, Hour Meter     |
| 1:2         | 109102             | 1           | Fuse-Blade, 25 Amp         | 13          | 137-4100           | 1           | Switch-Ignition        |
| 1:3         | 116-0053           | 1           | Cap-Plug                   | 14          | 3290-378           | 1           | Tie-Cable              |
| 1:11        | 100-4918           | 1           | Diode                      | 15          | 99-8445            | 2           | Screw-HWH              |
| 3           | 63-8360            | 1           | Key-Ignition               | 16          | 3220-2             | 1           | Nut-Hex Jam            |
| 4           | 104-8300           | 2           | Nut-HF, NI                 | 17          | 3230-1             | 2           | Bolt-CARR              |
| 5           | 105-1692           | 1           | Battery- Dry, 12V, 230 CCA | 18          | 32128-32           | 1           | Nut-HHF                |
| 6           | 139-6367           | 1           | Switch-Rocker, (On)-On-Off | 19          | 104-2466           | 1           | Holddown-Battery       |
| 7           | 117-1197           | 1           | Solenoid                   | 20          | 3290-134           | 1           | Screw                  |
| 8           | 115-3864           | 1           | Cable-Battery, Positive    | 21          | 120-4578           | 1           | Nut-HF                 |
| 9           | 139-6354           | 1           | Cable-Battery, Pos ASM     | 23          | 33094-00           | 1           | Washer-Plain           |
| 10          | 139-6358           | 1           | Cable-Battery, Neg ASM     | 24          | 33114-016          | 1           | Screw-HH               |

# Attachments and Accessories

## For 44427 — Proline Commercial Walk-Behind Mower with 54in Floating Cutting Unit

| <b>Product Name</b>                          | <b>Model/Part</b> |
|--|-------------------|
| Hypr-Oil 500 (quart).....                    | 114-4713          |
| Hypr-Oil 500 (gallon).....                   | 114-4714          |
| Hypr-Oil 500-5 (5 gallon).....               | 114-4715          |
| Toro Premium Fuel Treatment 12oz Bottle..... | 131-6572          |
| Electric Accessory Port.....                 | 133-1438          |
| Weight Kit .....                             | 138-6866          |
| Blade - Mulch, 18.75 In.....                 | 138-8885-03       |
| Blade - Hi Flow, 18.75 In.....               | 138-8889-03       |
| Blade - High Lift, 18.75 In.....             | 138-8892-03       |
| HOC Brackets Kit.....                        | 139-4063          |
| Light Kit.....                               | 139-5595          |
| Soft Side Bagger.....                        | 139-7860          |
| 54in Recycler Kit.....                       | 140-1915          |
| Rubber Deflector Kit .....                   | 140-4300          |
| Leaf Bagging Enhancement Kit .....           | 140-5122          |
| 6 Pack-Blade, 18.75 Recycler.....            | 140-7731          |
| 6 Pack-Blade, 18.75 Hi-flow.....             | 140-7735          |
| 6 Pack-blade, 18.75 Hi-lift.....             | 140-7739          |
| 10W30 4-Cycle Engine Oil (32oz Bottle).....  | 38280             |
| Toro 4-Cycle SAE 30 Oil (32oz Bottle) .....  | 38903             |
| Two-Wheel Sulky, Proline Midsize .....       | 44401             |
| Spark Arrestor .....                         | 98-9099           |

**Notes:**



**Count on it.**