



Count on it.

Parts Catalog

**Workman® LTX
Lithium Utility Vehicle**

Model No. 07425—Serial No. 40000000 and Up



Ordering Replacement Parts

To order replacement parts, please supply the part number, the quantity, and the description of each part desired.

Understanding Reference Numbers

Each identified part in an illustration has a reference number. The reference number for a part also appears in the parts list, along with other information about the part.

This catalog uses two special reference number formats, one to indicate parts in a service assembly and another to indicate the quantity of a given part in an illustration.

Service Assembly Reference Numbers

Parts in service assemblies have reference numbers in the form a:b. The a represents the reference number of the entire service assembly and the b represents a sequential number unique to each part within the service assembly.

For example, a wheel assembly might be identified by reference number 6, the tire by 6:1, the valve by 6:2, and the wheel by 6:3. When you order the assembly identified by reference number 6, you receive all parts identified by reference numbers 6:1, 6:2, and 6:3. However, you may also order any part individually. Reference numbers of this type appear in illustration and in parts lists.

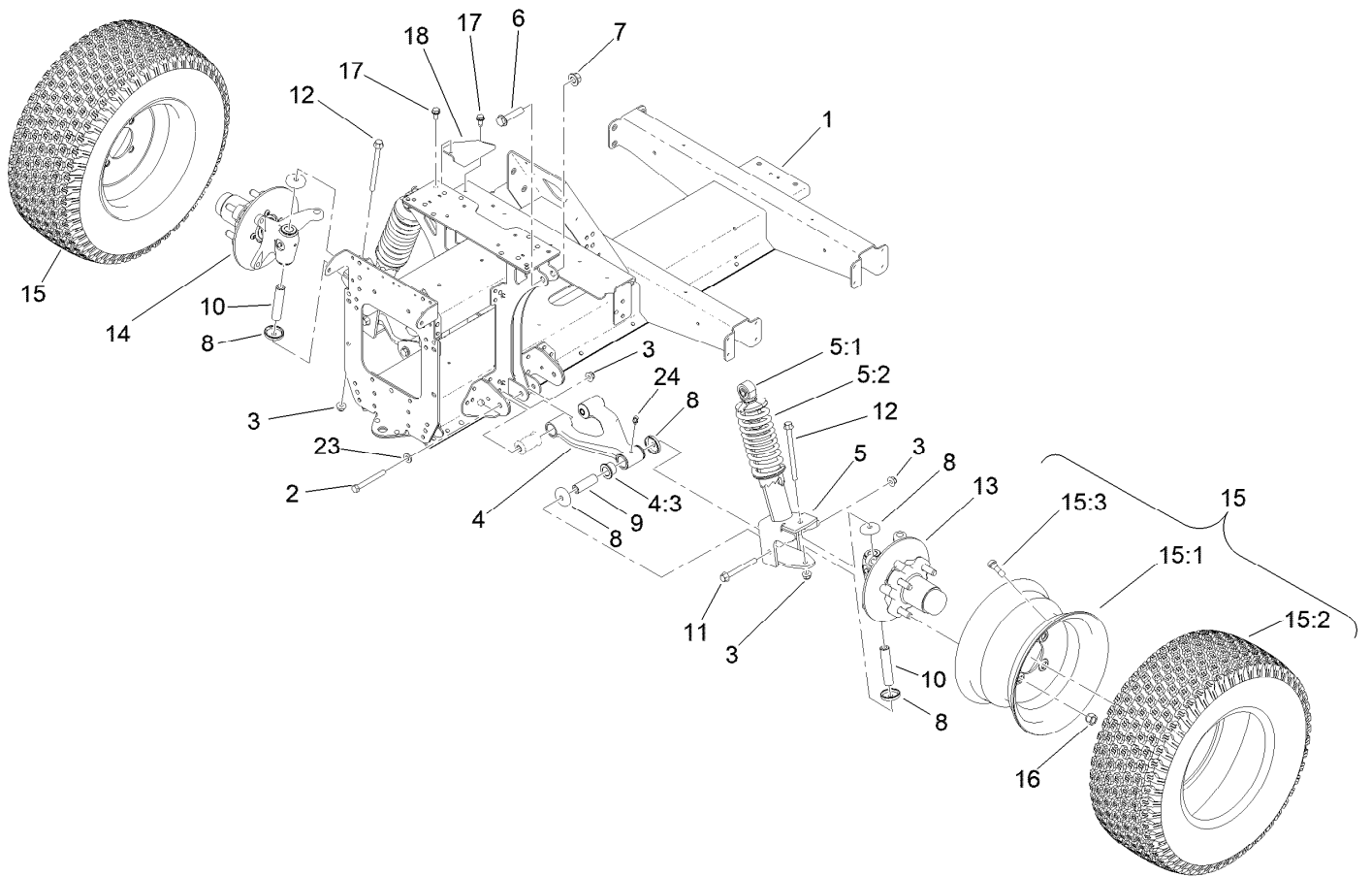
Reference Numbers Indicating Quantity

In an illustration, if a reference number indicates more than one part, the reference number has the form nX y. The n represents the quantity of the part, the X is the multiplication symbol, and the y represents the reference number.

For example, in an illustration, the reference number 2X 37 means that two of the parts identified by reference number 37 are indicated.

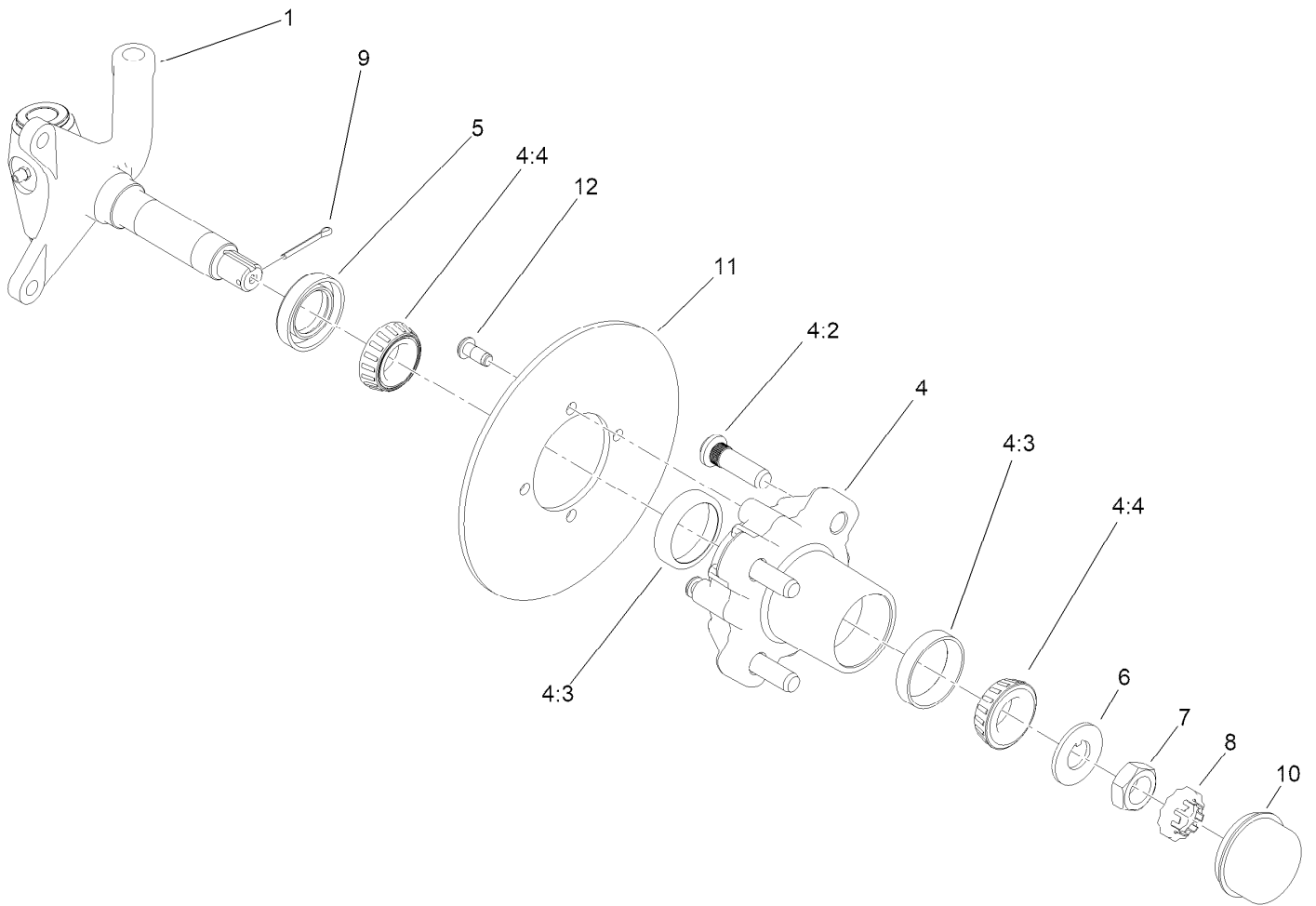
Contents

Front Frame and Suspension Assembly	4
Left Hand Spindle Assembly No. 163-9475	5
Right Hand Spindle Assembly No. 163-9476	6
Floor Plate and Rear Suspension Mount Assembly	7
Rear Frame and Suspension Assembly	8
Frame Mount and Rear Shock/Spring Assembly	9
Brake Assembly	10
Master Cylinder Assembly No. 104-6782	11
Brake Caliper Assembly No. 161-1890	12
Steering Assembly	13
Pedal and Control Assembly	14
Hood and Fender Assembly	15
Dash Assembly	16
Seatbase Assembly	17
Battery Assembly	18
Rear Wheel and Transaxle Assembly	19
Transaxle Assembly No. 161-5295	20
Electric Motor Assembly No. 137-6936	21
Onboard Charger Assembly	22
Inverter Assembly	23
Controller/Converter and Horn Assembly	24
Attachments and Accessories	25



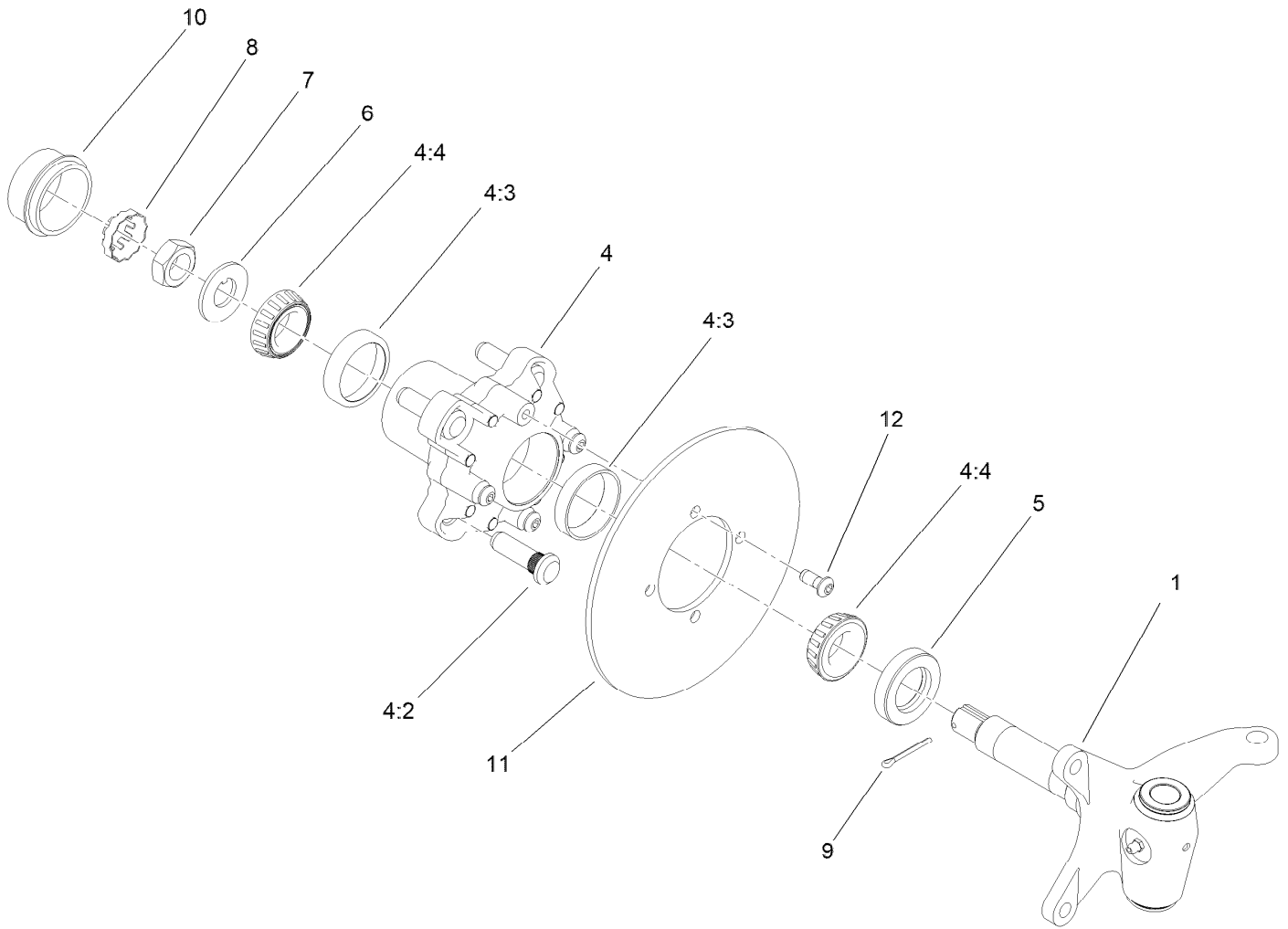
Front Frame and Suspension Assembly

<i>Ref.</i>	<i>Part Number</i>	<i>Qty.</i>	<i>Description</i>	<i>Ref.</i>	<i>Part Number</i>	<i>Qty.</i>	<i>Description</i>
1	161-5490-03	1	Front Frame ASM [black]	11	139-3370	2	Screw-HF
2	112-7161	4	Screw-HH	12	139-3350	2	Screw-HF
3	139-3380	8	Nut-HF	13	163-9475	1	LH Spindle ASM
4	163-9444	2	Control Arm ASM	14	163-9476	1	RH Spindle ASM
4:3	147-3983	2	Bushing-Flange	15	147-2761	2	Wheel And Tire ASM
5	139-4484	2	Strut ASM, 250 Lb (16.33" EXT Length)	15:1	147-2762	1	Wheel
5:1	131-8574	1	Isolator-Shock	15:2	139-4475	1	Tire-20 X 8.00-10
5:2	137-6719	1	Spring-Compression, 250Lb	15:3	232-27	1	Stem-Valve
6	3234-46	2	Screw-HHF	16	139-2564	8	Nut-Lug
7	139-1689	2	Nut-HF	17	32144-70	2	Screw-HWHTF
8	140-9793	8	Pin Seal	18	131-8339-03	1	Reinforcement-Tower
9	144-5634	2	Sleeve-Outer	23	100-4852	4	Washer-Hardened
10	161-2048	2	Sleeve-Kingpin	24	302-40	2	Fitting-Grease, 90 DEG



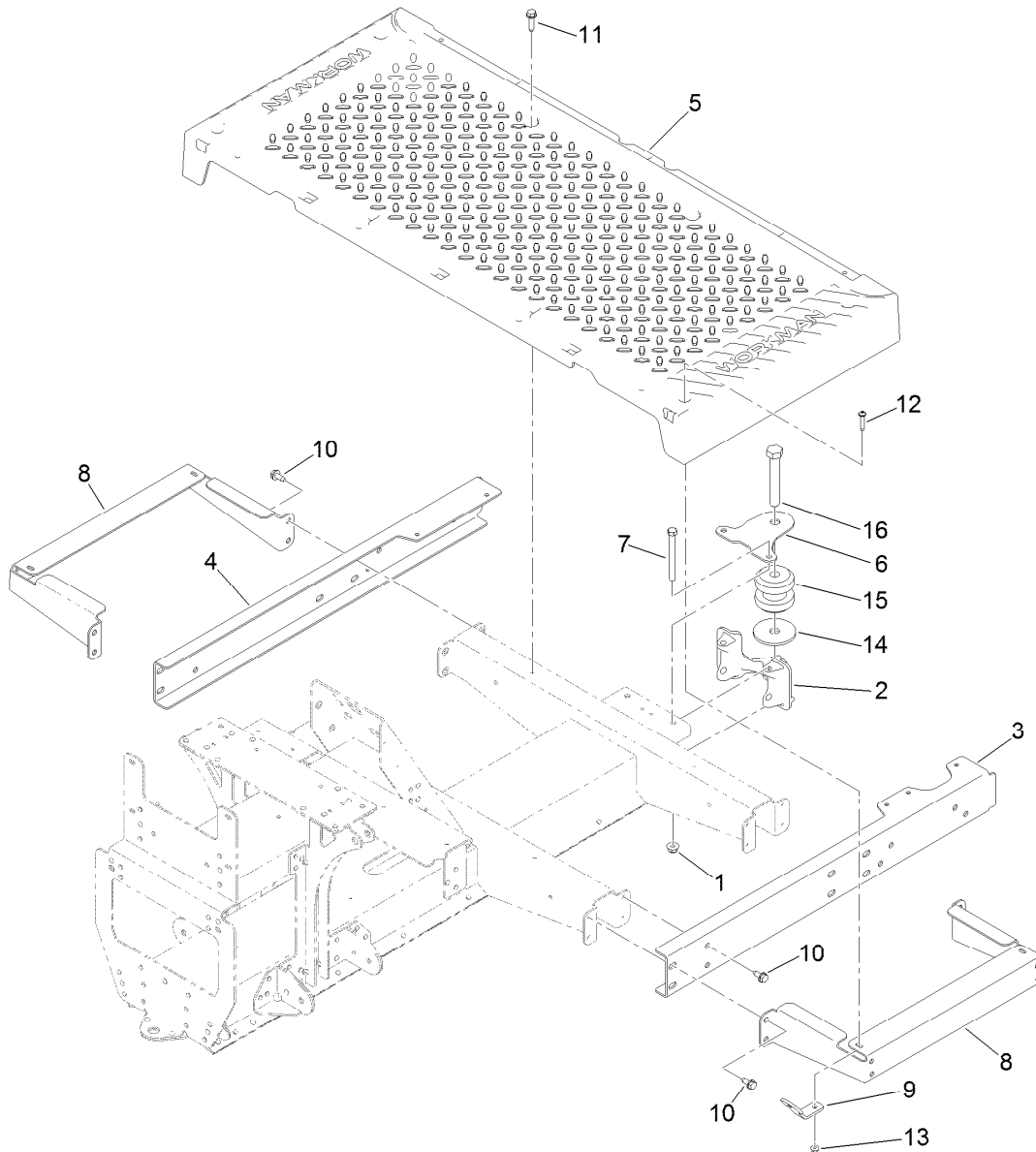
Left Hand Spindle Assembly No. 163-9475

<i>Ref.</i>	<i>Part Number</i>	<i>Qty.</i>	<i>Description</i>
1	163-9471	1	Spindle ASM LH
4	144-5470	1	Front Hub ASM
4:2	10-6830	4	Stud-Type, Drive
4:3	254-72	2	Bearing-Cup, Tapered
4:4	254-94	2	Bearing-Cone, Tapered
5	112-1690	1	Seal-Oil
6	93-0309	1	Washer-Tab
7	3220-7	1	Nut-Jam
8	93-0307	1	Nut-Lock, Retainer
9	3272-12	1	Pin-Cotter
10	241-119	1	Cap-Dust
11	139-4474	1	Rotor-Brake
12	121-9671	4	Screw-HSBH, Patch



Right Hand Spindle Assembly No. 163-9476

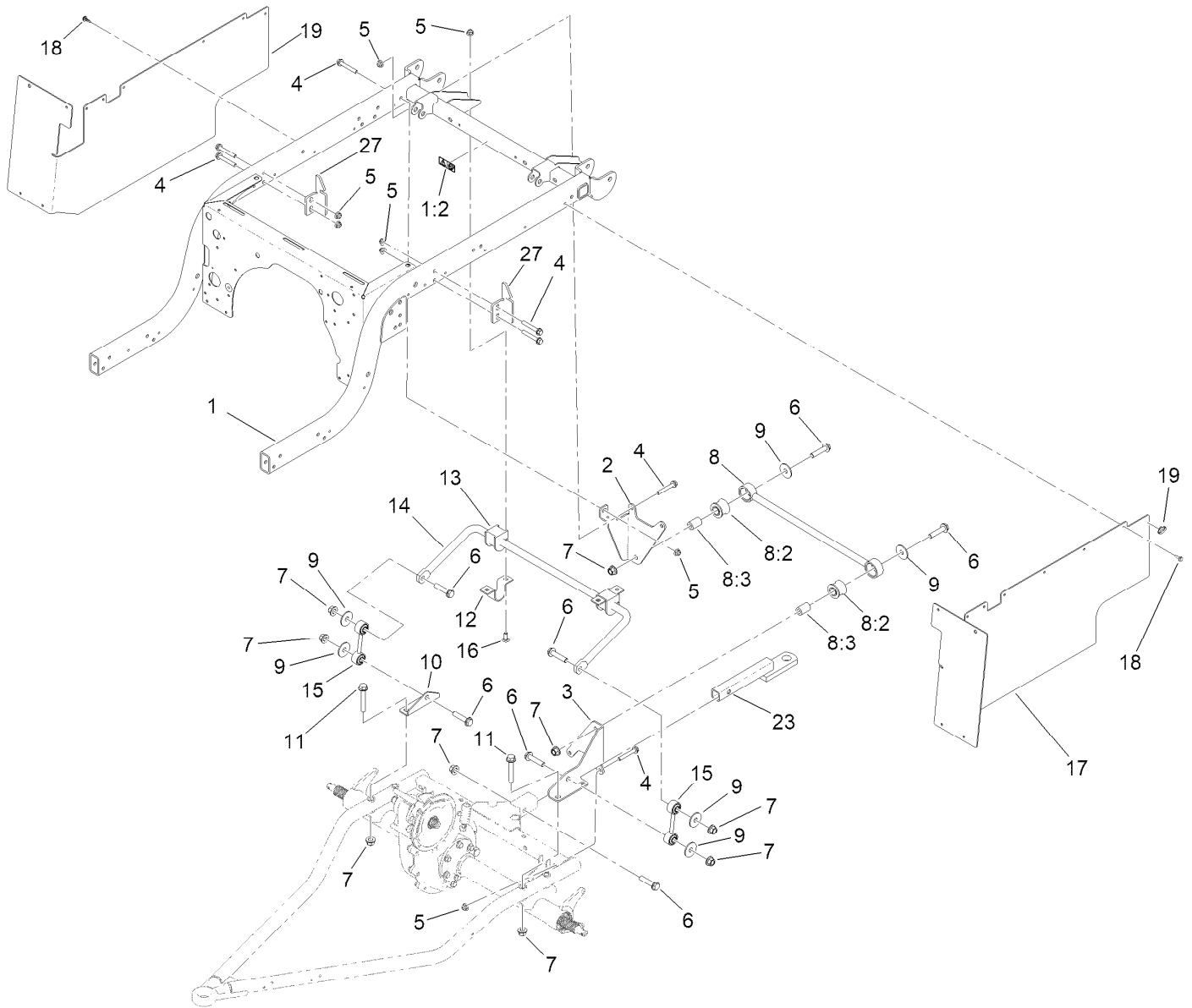
<i>Ref.</i>	<i>Part Number</i>	<i>Qty.</i>	<i>Description</i>
1	163-9472	1	Spindle ASM RH
4	144-5470	1	Front Hub ASM
4:2	10-6830	4	Stud-Type, Drive
4:3	254-72	2	Bearing-Cup, Tapered
4:4	254-94	2	Bearing-Cone, Tapered
5	112-1690	1	Seal-Oil
6	93-0309	1	Washer-Tab
7	3220-7	1	Nut-Jam
8	93-0307	1	Nut-Lock, Retainer
9	3272-12	1	Pin-Cotter
10	241-119	1	Cap-Dust
11	139-4474	1	Rotor-Brake
12	121-9671	4	Screw-HSBH, Patch



Floor Plate and Rear Suspension Mount Assembly

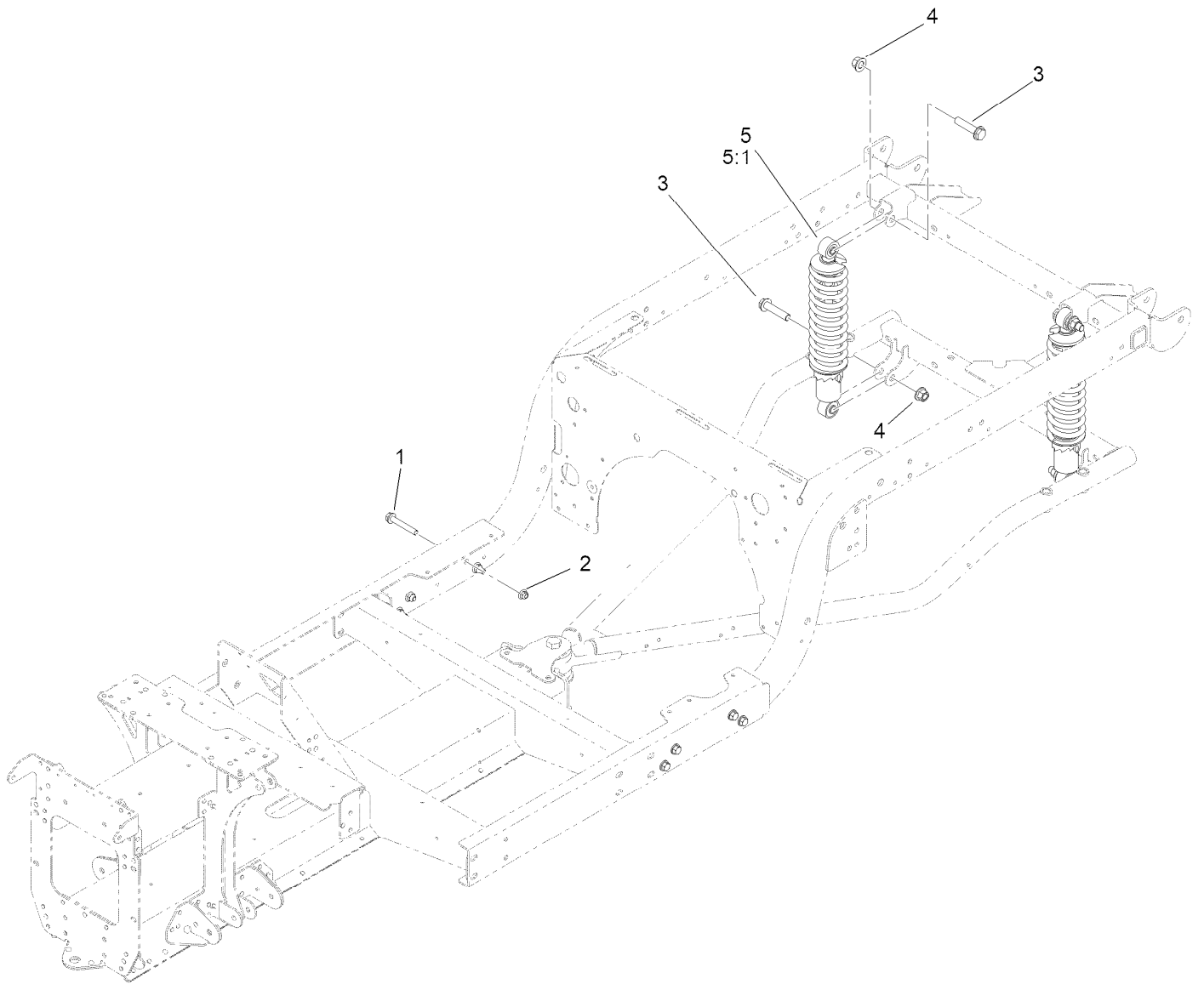
Ref.	Part Number	Qty.	Description
1	119-4042	2	Nut-HF, NI
2	131-8466	1	Mount-Suspension, Rear
3	127-7820-03	1	Channel-Frame, Front (LH)
4	127-7821-03	1	Channel-Frame, Front (RH)
5	127-7829	1	Plate-Floor
6	131-8597	1	Plate-Gimbal, Upper
7	323-42	2	Screw-HH
8	127-7837-03	2	Bracket-Support, Floor Plate

Ref.	Part Number	Qty.	Description
9	127-7832	2	Bracket-Angle
10	32144-70	16	Screw-HWHTF
11	32144-49	4	Screw-HWHTF
12	132-6777	4	Screw-Twh Thd Roll
13	104-7201	4	Nut-HF, NI
14	110-4549	1	Washer-Snubbing
15	131-8480	1	Isolator
16	104-5877	1	Screw-HH



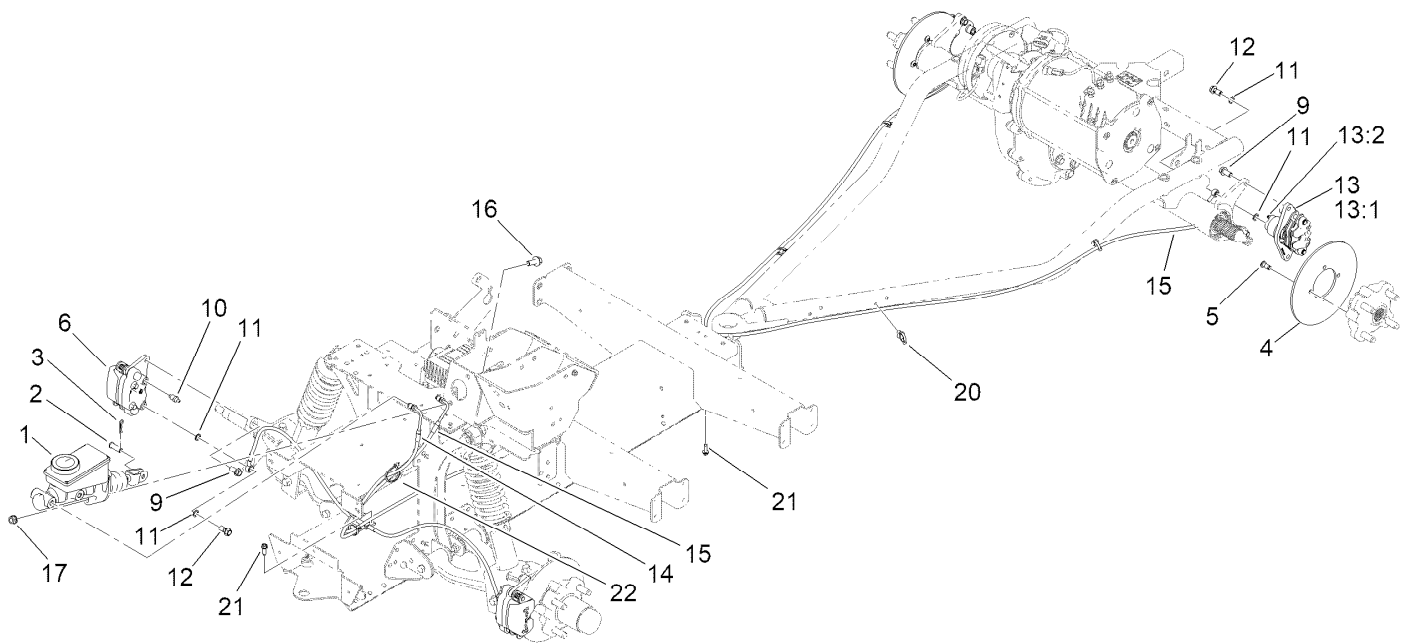
Rear Frame and Suspension Assembly

<i>Ref.</i>	<i>Part Number</i>	<i>Qty.</i>	<i>Description</i>	<i>Ref.</i>	<i>Part Number</i>	<i>Qty.</i>	<i>Description</i>
1	163-3902	1	Rear Frame ASM	10	131-8315	1	Bracket-Link, Sway Bar
1:2	115-2047	1	Decal-Surface, Hot	11	3234-40	4	Screw-HF
2	139-4647-03	1	Bracket-Stabilizer Bar	12	139-4644	2	Clamp, Anti-Sway Bar
3	127-7411-03	1	Bracket-Bar, Stabilizer	13	87-3910	2	Bushing-Rubber
4	3234-39	9	Screw-HHF	14	131-8310-03	1	Bar-Sway, Anti
5	119-4042	13	Nut-HF, NI	15	131-8394	2	Link-Bar, Sway
6	3234-46	7	Screw-HHF	16	3231-22	4	Screw-CARR
7	139-1689	11	Nut-HF	17	163-3740	2	Panel-Side
8	109-5013	1	Panhard Rod ASM	18	125-9622	20	Rivet-Blind
8:2	109-5009	2	Bushing-Suspension, Rubber	19	3290-378	2	Tie-Cable
8:3	109-5010	2	Spacer	23	137-6741	1	Ball Mount ASM
9	86-1990	6	Washer	27	127-7428-03	2	Striker-Latch, Bed



Frame Mount and Rear Shock/Spring Assembly

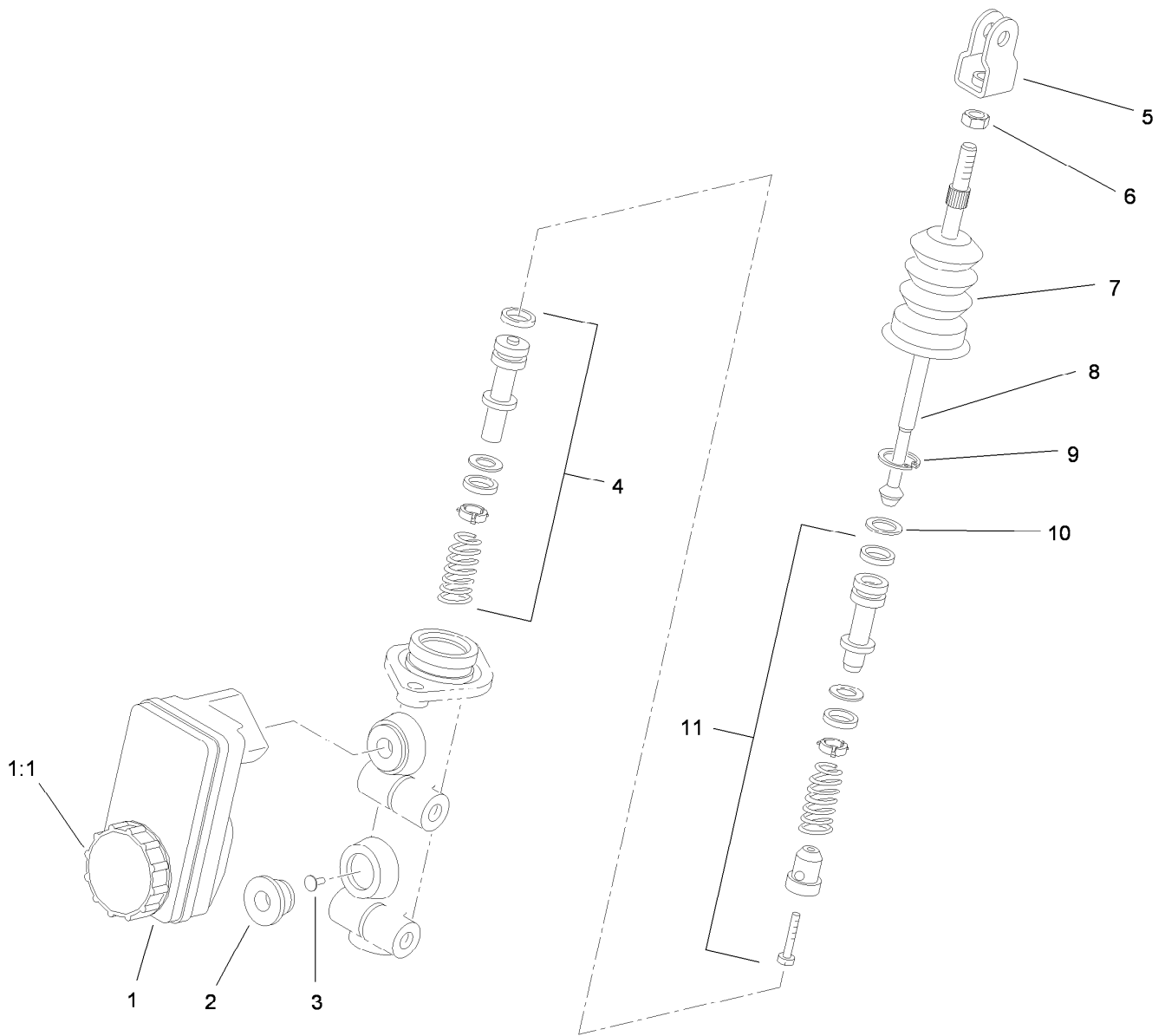
<i>Ref.</i>	<i>Part Number</i>	<i>Qty.</i>	<i>Description</i>
1	3234-39	8	Screw-HHF
2	119-4042	8	Nut-HF, NI
3	3234-46	4	Screw-HHF
4	139-1689	4	Nut-HF
5	139-4607	2	Shock/Spring ASM
5:1	131-8574	2	Isolator-Shock



Brake Assembly

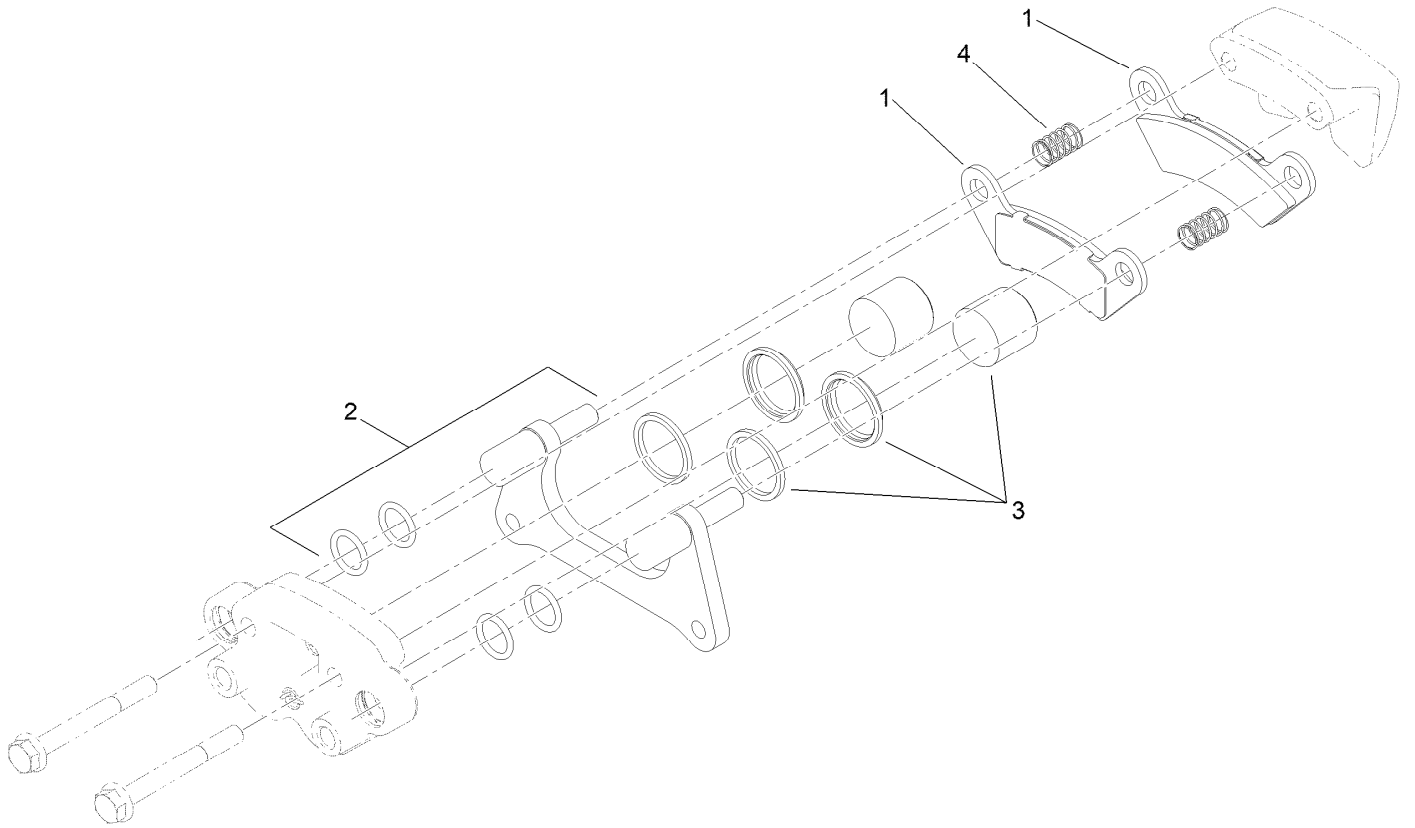
<i>Ref.</i>	<i>Part Number</i>	<i>Qty.</i>	<i>Description</i>	<i>Ref.</i>	<i>Part Number</i>	<i>Qty.</i>	<i>Description</i>
1	104-6782	1	Master Cylinder ASM	13:1	140-2595	1	Brake Pad Service Kit (Rear, Qty 4)
2	283-2	1	Pin-Clevis	13:2	145-7149	1	Fitting-Bleed Screw
3	1-806003	1	Pin-Cotter	13:3	136-6328	2	Spring-Rattle, Anti ●
4	139-4474	2	Rotor-Brake	14	161-5416	1	Brake Line ASM, Front
5	121-9671	8	Screw-HSBH,Patch	15	163-5056	1	Rear Brake Line ASM
6	161-1890	2	Brake Caliper ASM	16	3234-11	2	Screw-HHF
9	144-5550	8	Screw-Spl	17	3290-357	2	Nut-HSF
10	119-9509	2	Screw-Bleed	20	32180-030	4	Clip-Tie
11	115-2341	8	Washer-Banjo	21	49-2040	2	Screw-HWHTF
12	120-4875	4	Bolt-Flange, Banjo	22	3290-378	3	Tie-Cable
13	145-7159	2	Brake Caliper ASM				

● Not illustrated



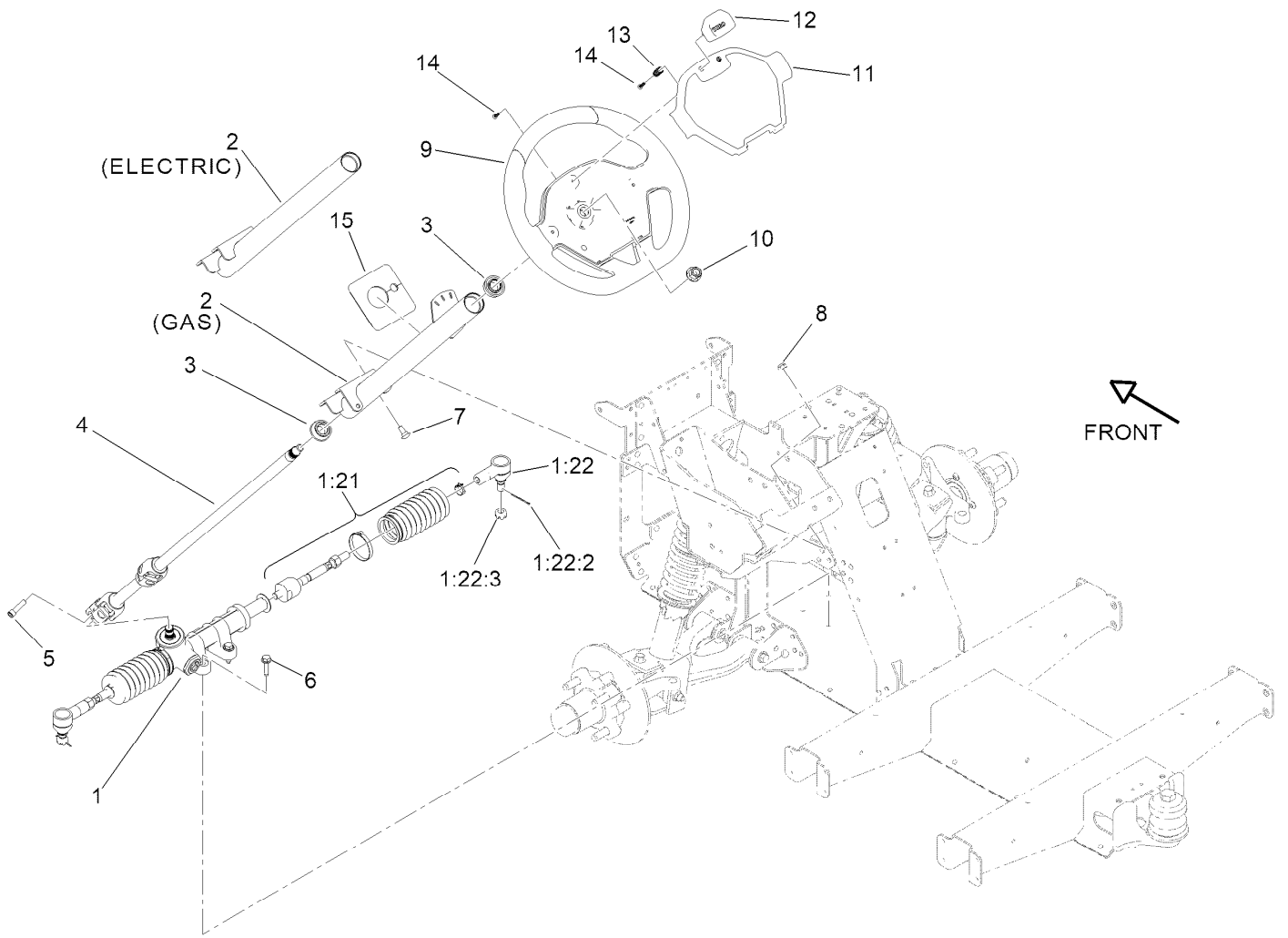
Master Cylinder Assembly No. 104-6782

<i>Ref.</i>	<i>Part Number</i>	<i>Qty.</i>	<i>Description</i>
1	104-6845	1	Reservoir ASM
1:1	92-4112	1	Cap ASM
2	93-8971	2	Seal-Port, Flange
3	92-4103	1	Pin-Stop
4	92-4102	1	Secondary Piston ASM
5	92-4110	1	Clevis
6	21-0360	1	Nut-Hex
7	94-5209	1	Cover-Dust
8	94-5210	1	Rod-Push
9	92-4109	1	Ring-Snap
10	92-4108	1	Retainer-Washer
11	92-4101	1	Primary Piston ASM



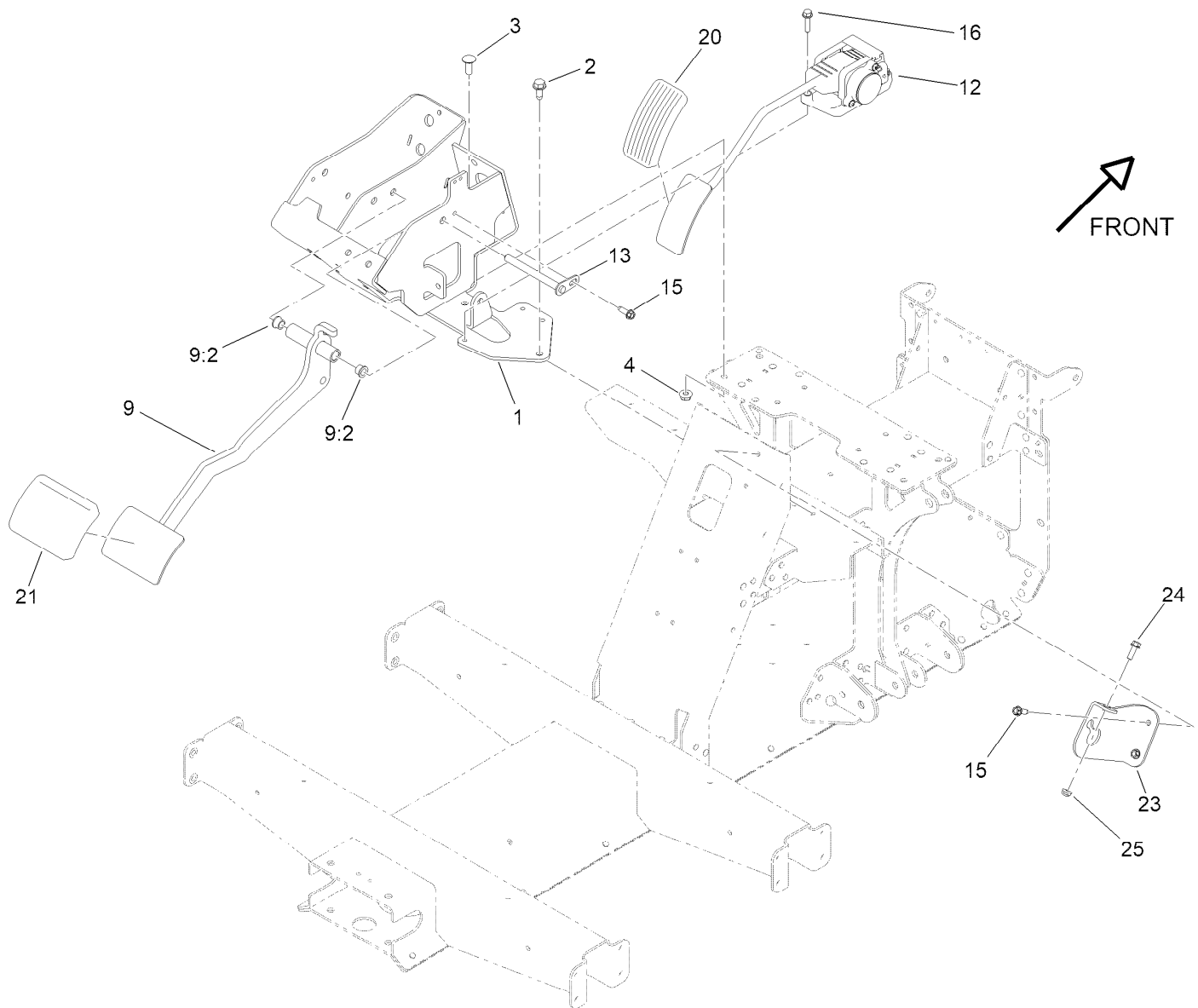
Brake Caliper Assembly No. 161-1890

<i>Ref.</i>	<i>Part Number</i>	<i>Qty.</i>	<i>Description</i>
1	140-2580	1	Brake Pad Service Kit (Front, Qty 4)
2	119-9511	1	Bracket Kit
3	133-0614	1	Piston Kit
4	161-1889	2	Spring-Compression, Service



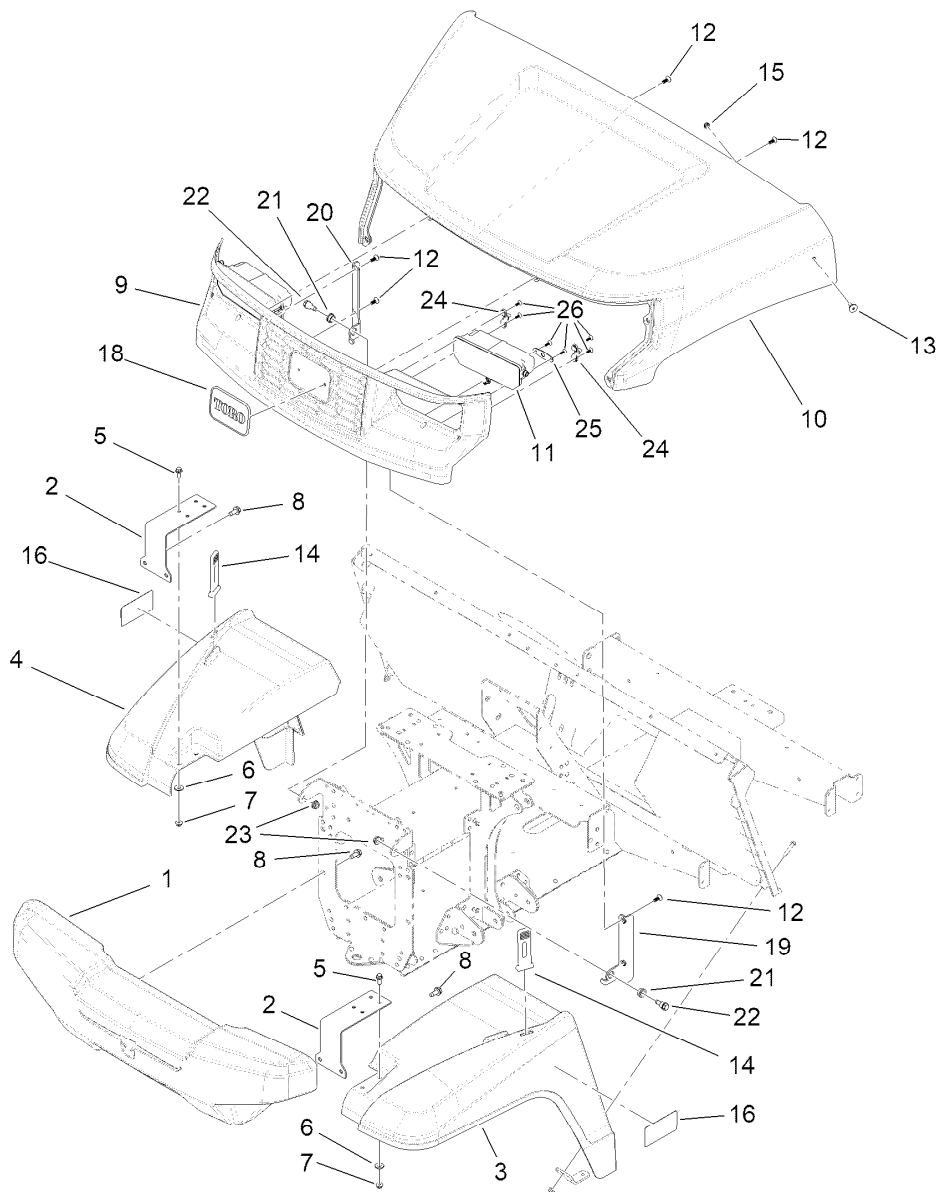
Steering Assembly

Ref.	Part Number	Qty.	Description	Ref.	Part Number	Qty.	Description
1	138-0114	1	Steering Rack ASM	6	32144-49	4	Screw-HWHTF
1:21	140-4591	1	Kit-Tie Rod ASM, Gtx	7	3230-1	4	Bolt-CARR
1:22	140-4592	1	Kit-Rod End ASM	8	119-4041	4	Nut-HF
1:22:2	3272-42	1	Pin-Cotter	9	144-5570	1	Steering Wheel ASM
1:22:3	140-2493	1	Nut-Hex, Slotted	10	139-1689	1	Nut-HF
2	145-2056	1	Steering Column ASM, Gtx Electric	11	144-5567	1	Cover-Wheel, Steering
3	112-3262	2	Bearing	12	144-5566	1	Clip-Wheel, Steering
4	145-2050	1	Steering Shaft ASM	13	144-5537	2	Spring-Compression
5	145-7145	1	Screw-HSH,Lock	14	94-4496	5	Screw-PPH
				15	144-5505	1	Grommet-Column, Steering



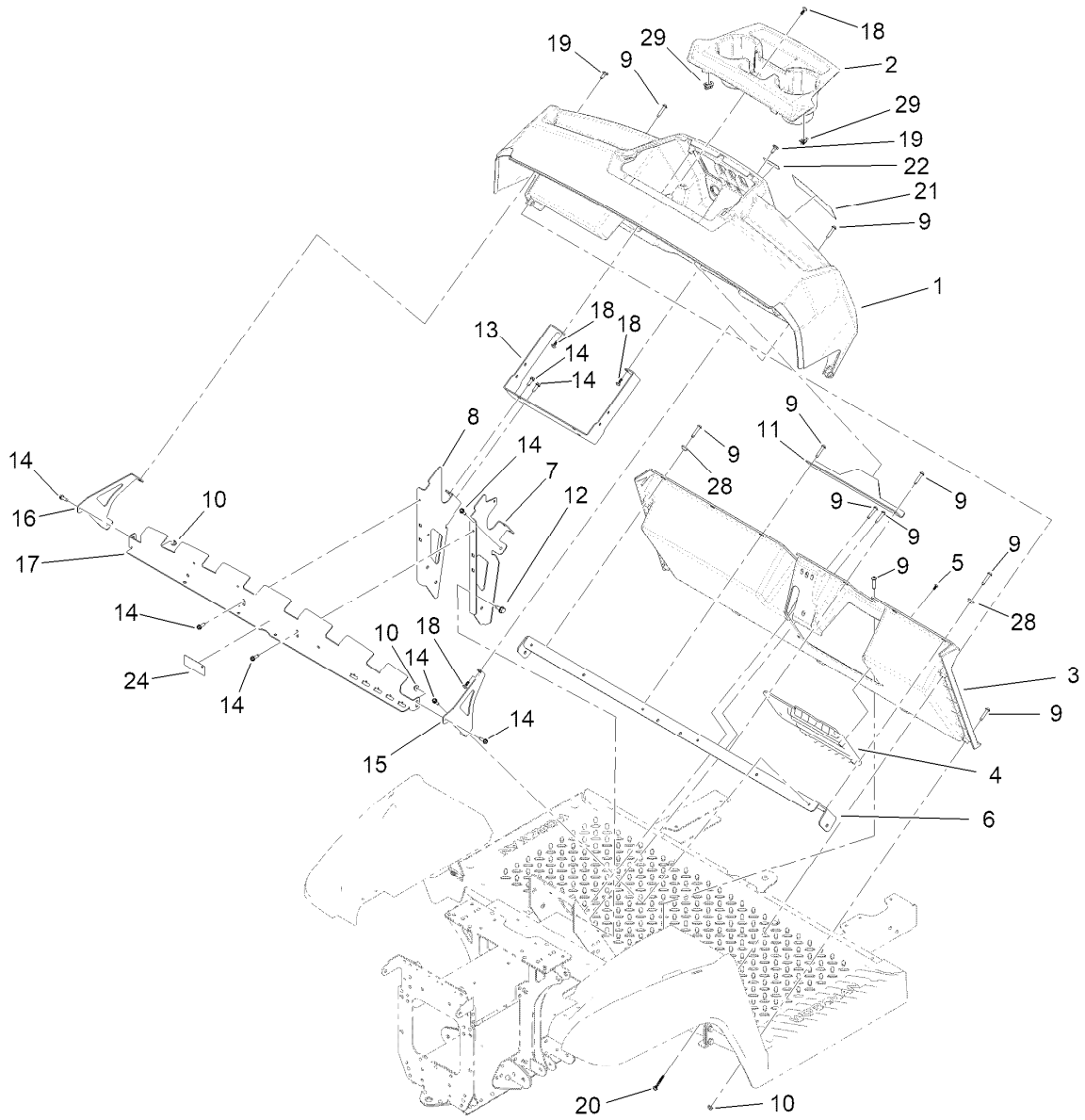
Pedal and Control Assembly

Ref.	Part Number	Qty.	Description
1	161-5480-03	1	Pedal Box Mount ASM [black]
2	32144-70	4	Screw-HWHTF
3	3230-10	1	Bolt-CARR
4	119-4041	1	Nut-HF
9	161-5486	1	Brake Pedal ASM
9:2	256-116	2	Bushing-Flange
12	161-5485	1	Throttle-Electronic
13	131-8459	1	Shaft-Pivot
15	49-2040	3	Screw-HWHTF
16	32144-86	3	Screw-HWHTF
20	140-4572	1	Pedal Pad-Throttle
21	161-5253	1	Footpad-Pedal
23	161-5279-03	1	Bracket-Mount, Shift Cable
24	115-5103	1	Screw-HHF
25	104-7201	1	Nut-HF, NI



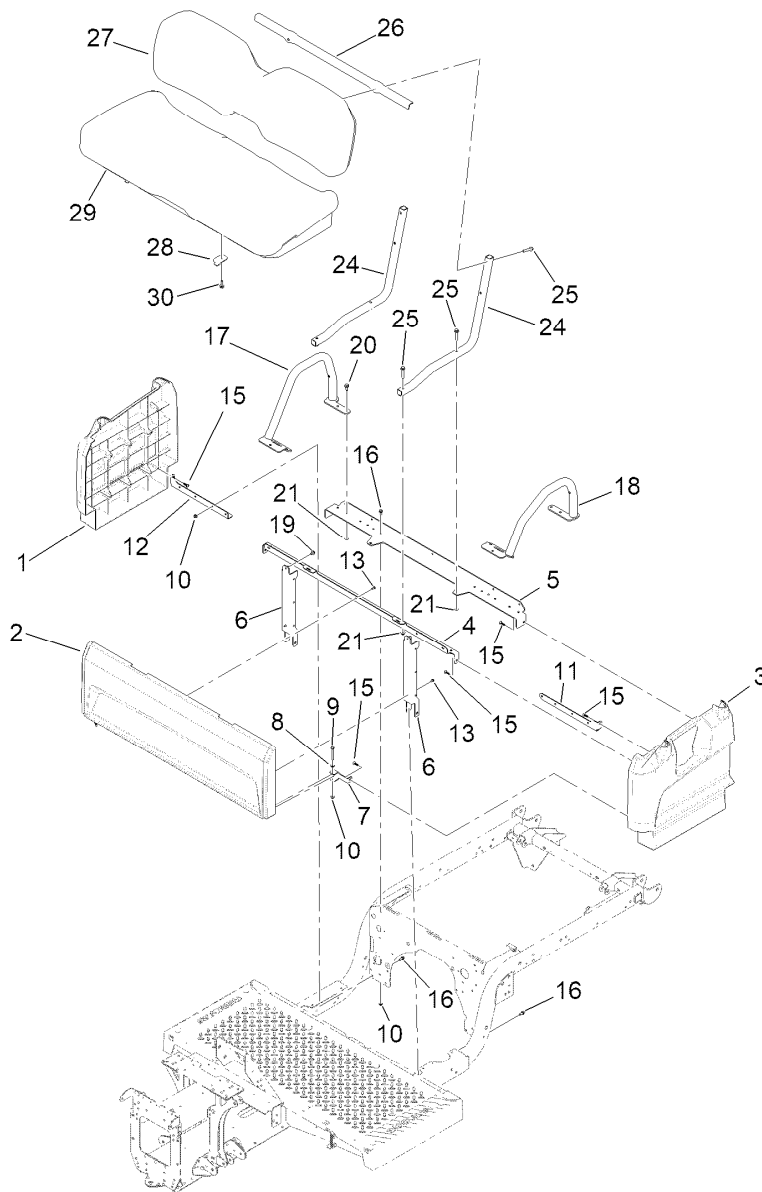
Hood and Fender Assembly

<i>Ref.</i>	<i>Part Number</i>	<i>Qty.</i>	<i>Description</i>	<i>Ref.</i>	<i>Part Number</i>	<i>Qty.</i>	<i>Description</i>
1	163-5190	1	Bumper-Front, Armor	14	131-8402	2	Strap-Down, Hold
2	163-5101-03	2	Bracket-Fender	15	3296-56	2	Nut-Lock, NI
3	127-7771	1	Fender-Front, LH	16	163-9449	2	Emblem-Ltx, Lithium
4	127-7772	1	Fender-Front, RH	18	144-2294	1	Emblem-Toro
5	3234-33	4	Screw-HHF	19	163-5155-03	1	Bracket-Pivot, Hood [black]
6	3256-2	4	Washer-Flat	20	163-5175-03	1	Bracket-Pivot, Hood [black]
7	104-7201	4	Nut-HF, NI	21	256-156	2	Bushing-Flange
8	32144-70	8	Screw-HWHTF	22	115-1958	2	Bolt-Shoulder
9	163-5185	1	Grille-Front, Ltx	23	32128-20	2	Nut-HF
10	163-5195	1	Hood-Ltx	24	163-5172	4	Retainer-Headlight, Ltx
11	163-5102	2	Headlight ASM	25	163-5182	2	Plate-Headlight Adjuster
12	138-5775	10	Screw-Delta Point	26	139-3430	12	Screw-Bhf
13	136-7182	2	Screw-Countersunk, Oval				



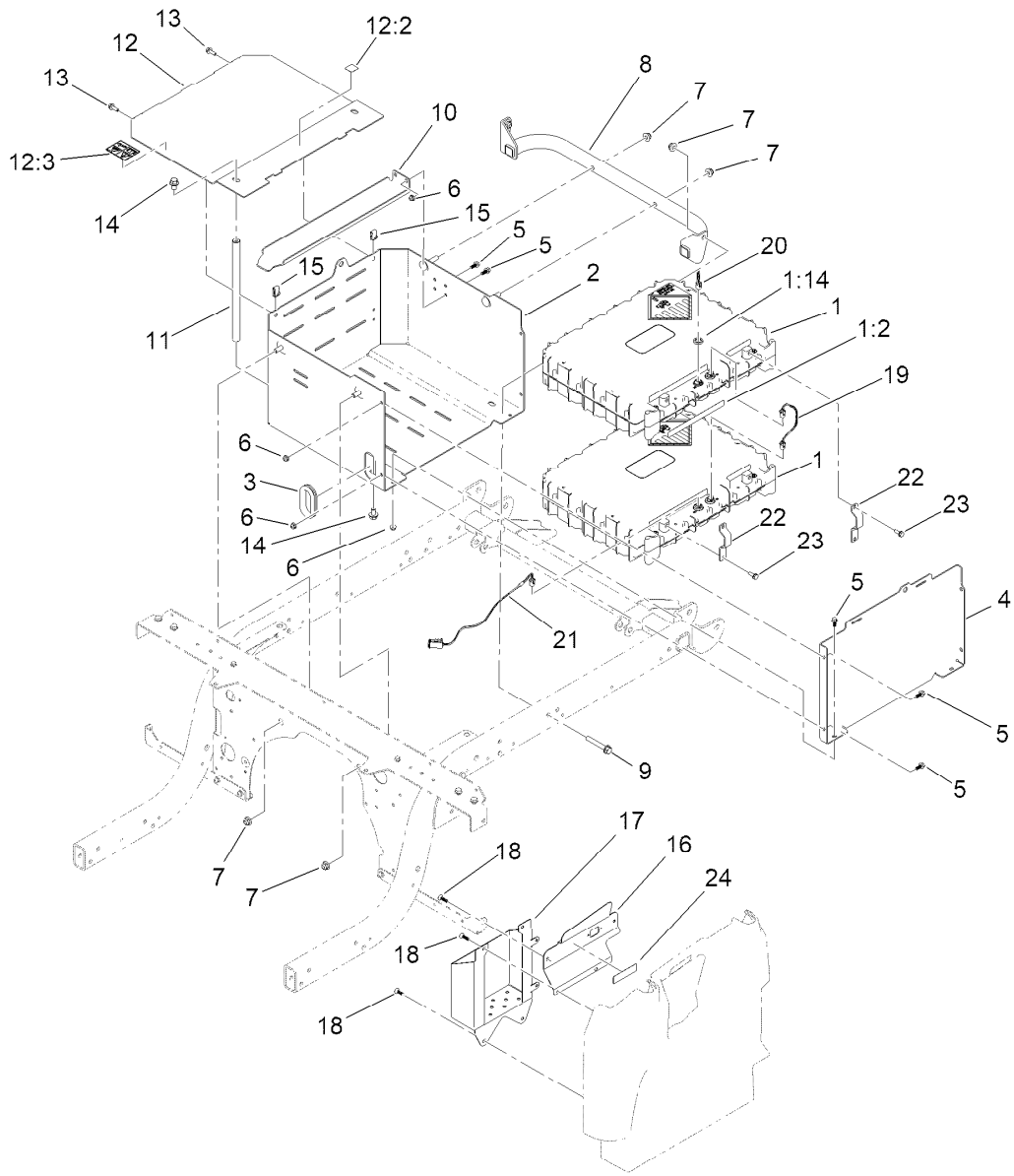
Dash Assembly

<i>Ref.</i>	<i>Part Number</i>	<i>Qty.</i>	<i>Description</i>	<i>Ref.</i>	<i>Part Number</i>	<i>Qty.</i>	<i>Description</i>
1	163-5088	1	Dash	14	49-2040	12	Screw-HWHTF
2	163-5091	1	Cupholder	15	163-5094-03	1	Bracket-Dash, Driver
3	161-5491	1	Footboard-Trim	16	163-5095-03	1	Bracket-Dash, Pass
4	127-7847	1	Cover-Footboard	17	163-5096-03	1	Support-Dash
5	107-7461	2	Screw-Plastite	18	138-5775	4	Screw-Delta Point
6	163-9455-03	1	Bracket-Dash, Support	19	120-7950	2	Screw-Torx
7	163-5089-03	1	Bracket-Dash, LH	20	137-3012	2	Screw-Plastite, HWH
8	163-5090-03	1	Bracket-Dash, RH	21	163-9304	1	Decal-Operation, Li
9	132-6777	14	Screw-Twh Thd Roll	22	163-9303	1	Decal-Ignition, Li
10	104-7201	4	Nut-HF, NI	24	164-4546	1	Decal-Li Service
11	163-5093-03	1	Bracket-Dash, Lower	28	163-5097	2	Spacer-Plastic
12	32144-70	4	Screw-HWHTF	29	140-9908	2	Clip-Trim
13	163-5092-03	1	Bracket-Dash, Upper				



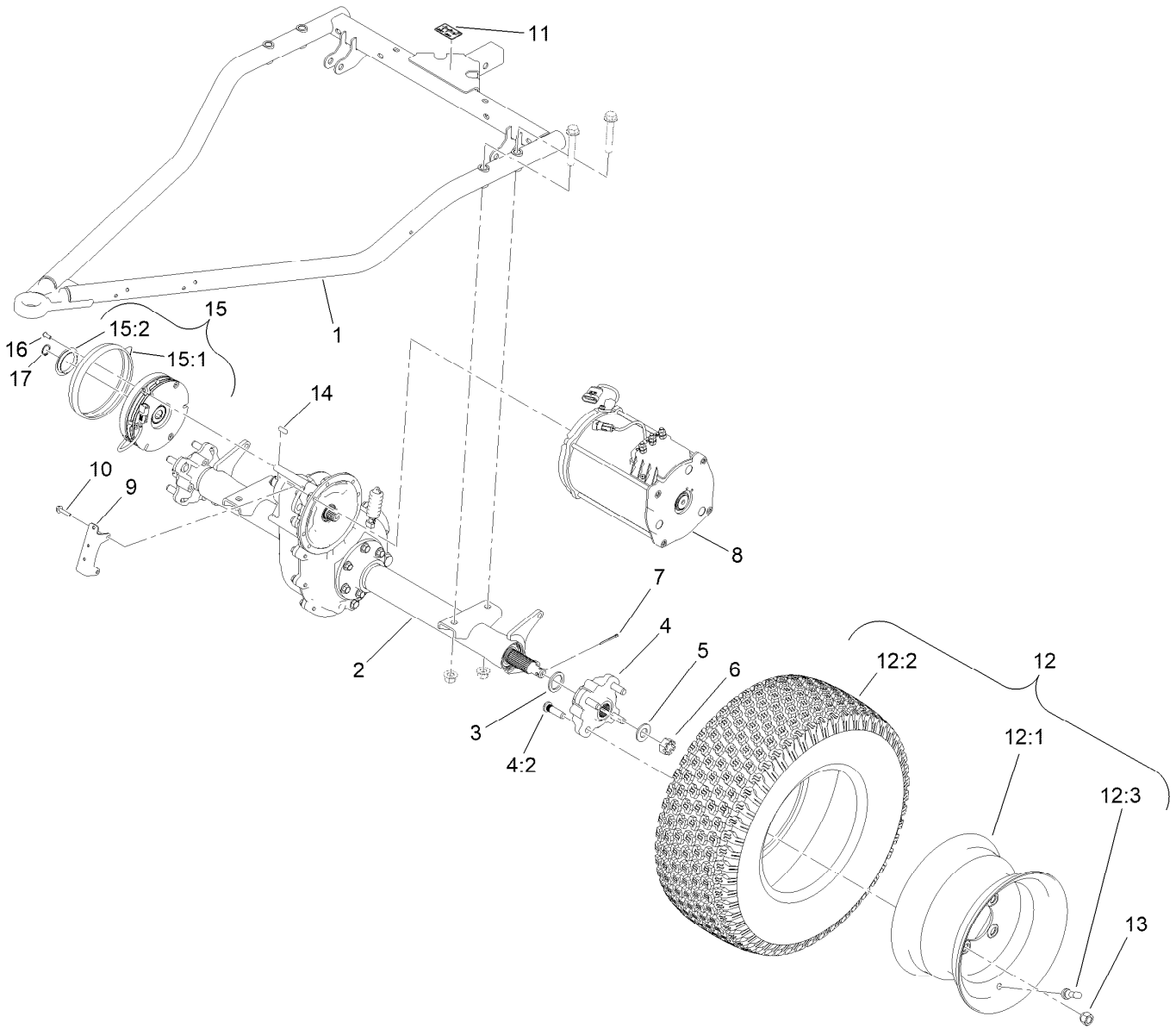
Seatbase Assembly

<i>Ref.</i>	<i>Part Number</i>	<i>Qty.</i>	<i>Description</i>	<i>Ref.</i>	<i>Part Number</i>	<i>Qty.</i>	<i>Description</i>
1	163-9459	1	Panel-Seatbase, RH	16	3234-33	6	Screw-HHF
2	133-7188	1	Panel-Base, Seat	17	145-2075-05	1	Hip Restraint ASM, RH
3	163-9460	1	Panel-Seatbase, LH	18	145-2070-05	1	Hip Restraint ASM, LH
4	163-3765-03	1	Support-Front, Seat	19	46-6810	2	Screw And Washer ASM
5	163-5086-03	1	Support-Rear, Seat	20	32144-70	6	Screw-HWHTF
6	127-7841-03	2	Channel-Support, Seat	21	119-4041	10	Nut-HF
7	127-7844-03	2	Clamp-Plate, Floor	24	163-5087-05	2	Tube-Seat
8	3256-22	2	Washer-Flat	25	145-7105	8	Screw-HHF
9	321-18	2	Screw-HH	26	163-5058-05	1	Stiffener-Seat, Back
10	104-7201	8	Nut-HF, NI	27	163-3763	1	Seat Backrest ASM
11	163-9430-03	1	Bracket-Support, LH	28	140-0812	2	Bracket-Hinge, Seat
12	127-7843-03	1	Bracket-Support, Side (RH)	29	163-3762	1	Seat Bottom ASM
13	112-6349	5	Screw-HWH	30	115-5142	2	Screw-HHF, Patch
15	120-2349	8	Screw				



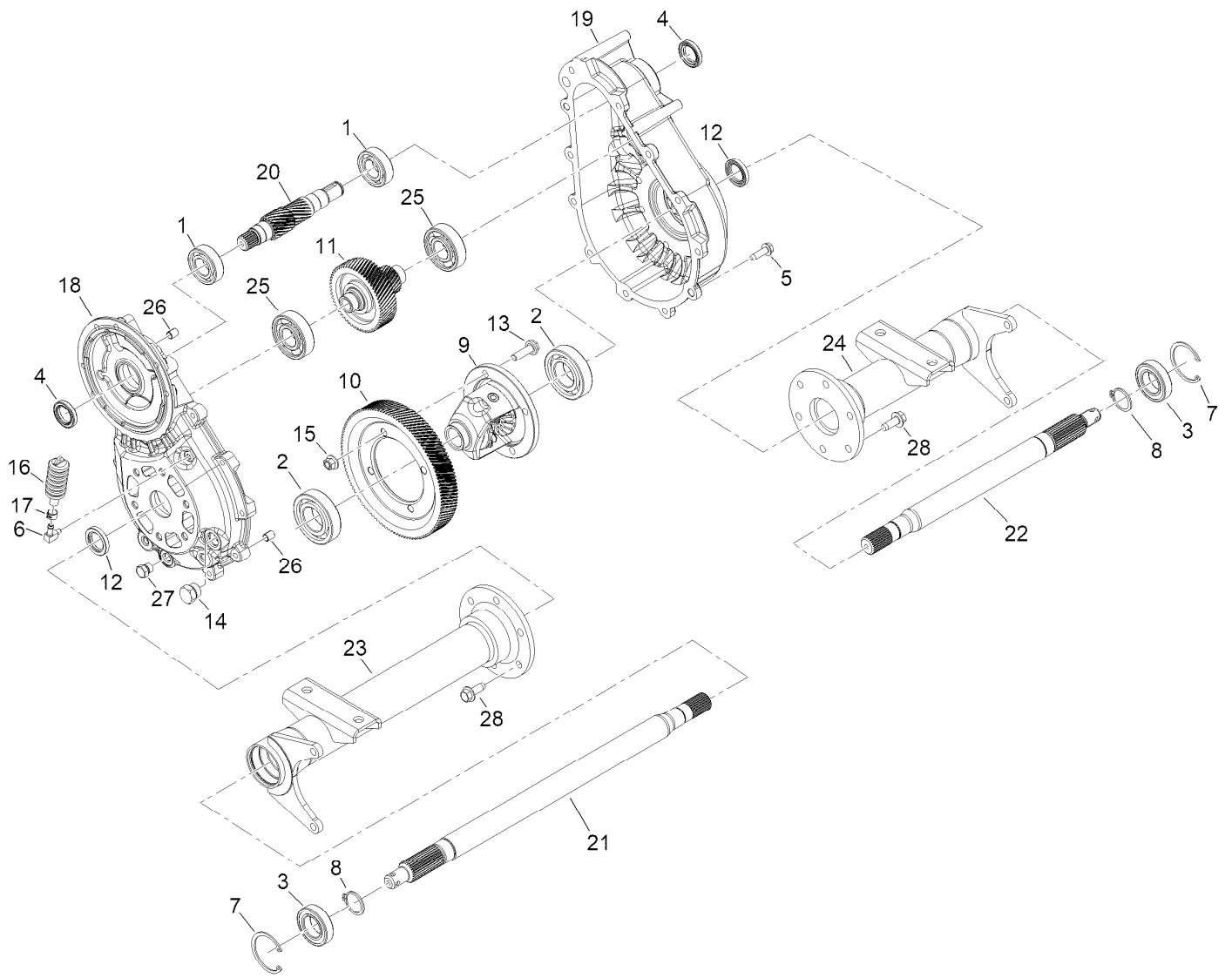
Battery Assembly

<i>Ref.</i>	<i>Part Number</i>	<i>Qty.</i>	<i>Description</i>	<i>Ref.</i>	<i>Part Number</i>	<i>Qty.</i>	<i>Description</i>
1	145-5380	2	Battery ASM	12:3	139-4610	1	Decal-Warning
1:2	145-5338	1	Decal-Warning, Battery	13	120-9678	2	Screw-HHF
1:14	32180-466	2	Nut-Mounting, Jwpf Panel Lock	14	3234-9	4	Screw-HHF
2	147-2792-03	1	Bracket ASM [black]	15	107069	2	Clip
3	240-12	1	Grommet-Rubber	16	163-3702-05	1	Plate-Cord, Charger
4	145-8033-03	1	Panel-Left	17	163-3703-03	1	Box-Cord
5	99-6810	8	Screw-HHF	18	120-2349	6	Screw
6	104-7201	8	Nut-HF, NI	19	140-9565	1	Harness-Wire, Data Interface
7	119-4042	6	Nut-HF, NI	20	122-2323	1	Harness-Wire, Can Terminator
8	145-8004-03	1	Battery Mount ASM [black]	21	122-2736	1	Harness-Wire, Battery Interface
9	3234-39	2	Screw-HHF	22	145-7343	2	Bar-Bus, 200A
10	147-2755-03	1	Bracket-Hold Down [black]	23	145-5783	2	Screw-Sems
11	147-2779	2	Bar-Round, Battery	24	140-4590	1	Decal-Charger Input Lithium
12	147-8215	1	Panel-Top				
12:2	145-7345	1	Decal-Voltage, High				



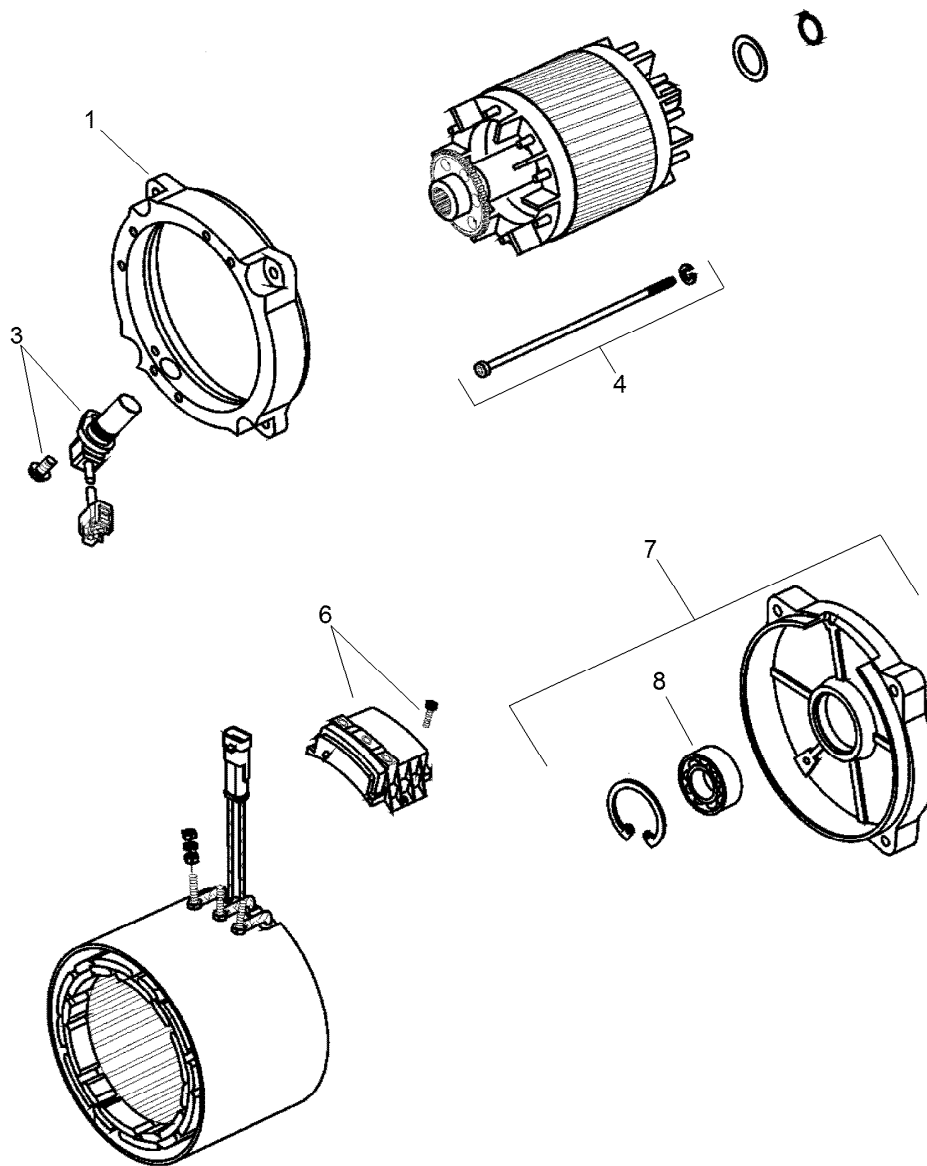
Rear Wheel and Transaxle Assembly

Ref.	Part Number	Qty.	Description	Ref.	Part Number	Qty.	Description
1	140-2568-03	1	Gtx-E Swing Arm ASM [black]	11	137-9984	1	Decal-Load, Towing
2	161-5295	1	Axle ASM, Electric	12	147-2761	2	Wheel And Tire ASM
3	144-2444	2	Spacer-Hardened	12:1	147-2762	1	Wheel
4	145-7151	2	Rear Hub ASM	12:2	139-4475	1	Tire-20 X 8.00-10
4:2	10-6830	4	Stud-Type, Drive	12:3	232-27	1	Stem-Valve
5	92-5836	2	Washer	13	139-2564	8	Nut-Lug
6	32136-5	2	Nut-Hex, Slotted	14	145-7163	1	Key-Square
7	1-806800	2	Pin-Cotter	15	145-7061	1	Brake-Electric
8	137-6936	1	Motor-AC	15:1	145-7184	1	Dust Cover
9	145-8038	1	Bracket-Cable	15:2	145-7186	1	End Cap
10	33103-030	6	Screw-HHF	16	145-7164	3	Screw-HSBH
				17	32120-15	1	Ring-Snap, EXT



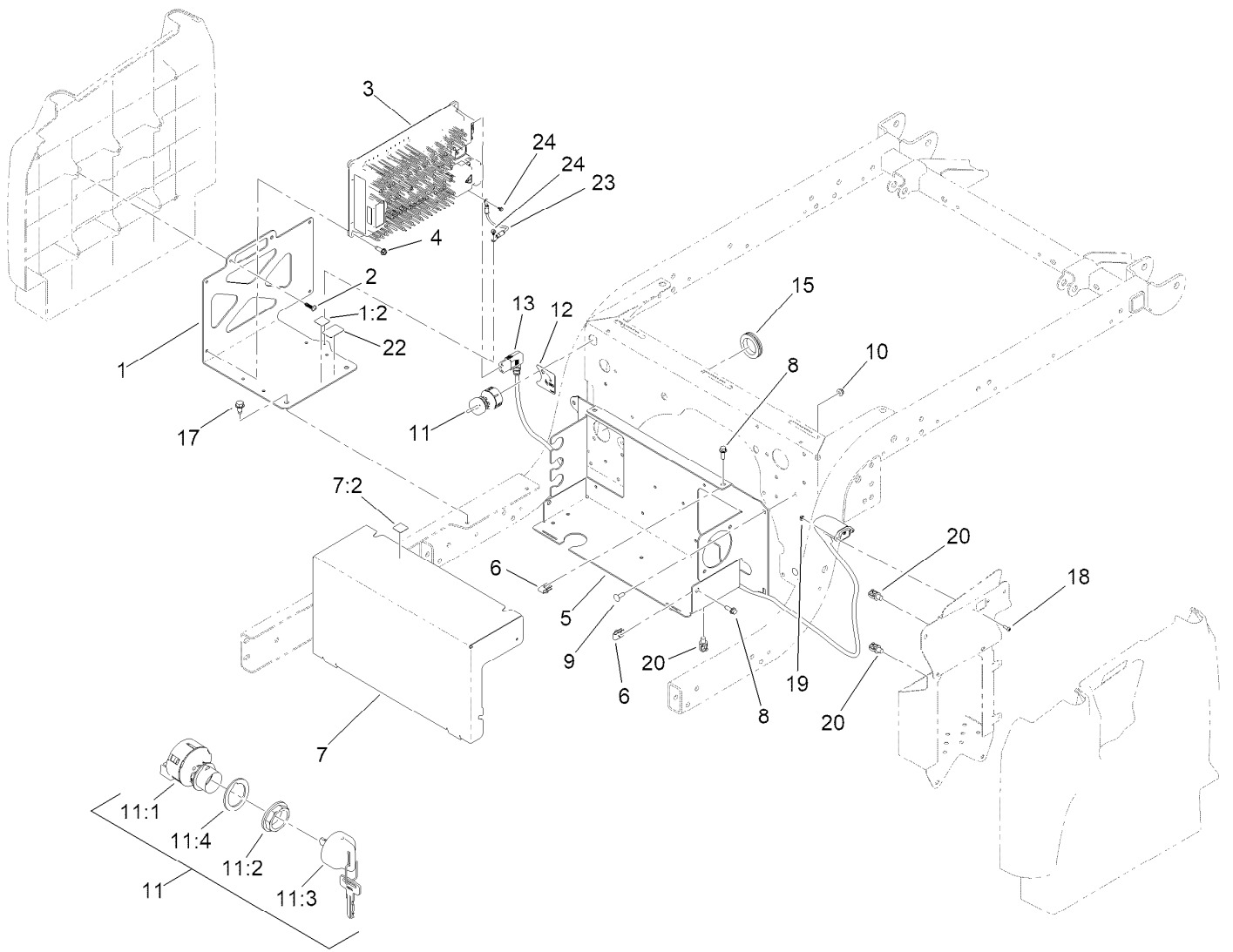
Transaxle Assembly No. 161-5295

Ref.	Part Number	Qty.	Description	Ref.	Part Number	Qty.	Description
1	145-7286	2	Bearing, Ball, Single Row, 6205	12	145-7293	2	Seal, Oil, 25 MM Shaft, 1.499 Bore
2	145-7287	2	Bearing, Ball, Single Row, 6207	13	133-2462	4	Bolt-HHF
3	147-4094	2	Bearing, Ball, Single Row, 6006-2Rs, Sealed	14	145-7319	1	Plug, Hex Head, 3/4-16 Strt Thr, O-Ring
4	145-7289	2	Seal, Oil, .945 Shaft, 1.499 Bore	15	133-2463	4	Nut-Lock
5	147-4095	12	Screw, Hex Head, 5/16-18, Thread Forming	16	145-7294	1	Vent, Bellows
6	147-4096	1	Tube, Vent	17	145-7295	1	Clamp, Hose
7	147-4098	2	Ring, Retaining, Internal, 55MM Bore	18	161-1800	1	Housing, Motor Side
8	163-3718	2	Ring-Retaining, External, 30MM Shaft	19	161-1801	1	Housing, Cover, E-Brake
9	147-4099	1	Assembly, Differential Case, Heavy Duty	20	145-7298	1	Shaft, Input, 18T
10	145-7291	1	Gear, Helical, Output, Finish, 116T	21	163-9448	1	Shaft-Axle
11	145-7292	1	Assembly, Shaft And Gear, Intermediate	22	161-2043	1	Shaft-Axle
				23	163-9447	1	Tube Assembly, LH
				24	163-9446	1	Tube Assembly, RH
				25	145-7299	2	Bearing, Ball, Single Row, 6305
				26	145-7301	2	Bushing, Dowel, .313 X .500
				27	145-7302	1	Drain Plug, Magnetic, O-Ring, 1/2-20
				28	161-1806	12	Screw, Flange Head, 3/8-16 X 1.00



Electric Motor Assembly No. 137-6936

Ref.	Part Number	Qty.	Description
1	132-4924	1	Bracket-End, Drive
3	132-4925	1	Sensor
4	132-4926	1	Screw
6	132-4927	1	Plate-Connection
7	132-4928	1	Bracket-End, Rear
8	132-4929	1	Bearing

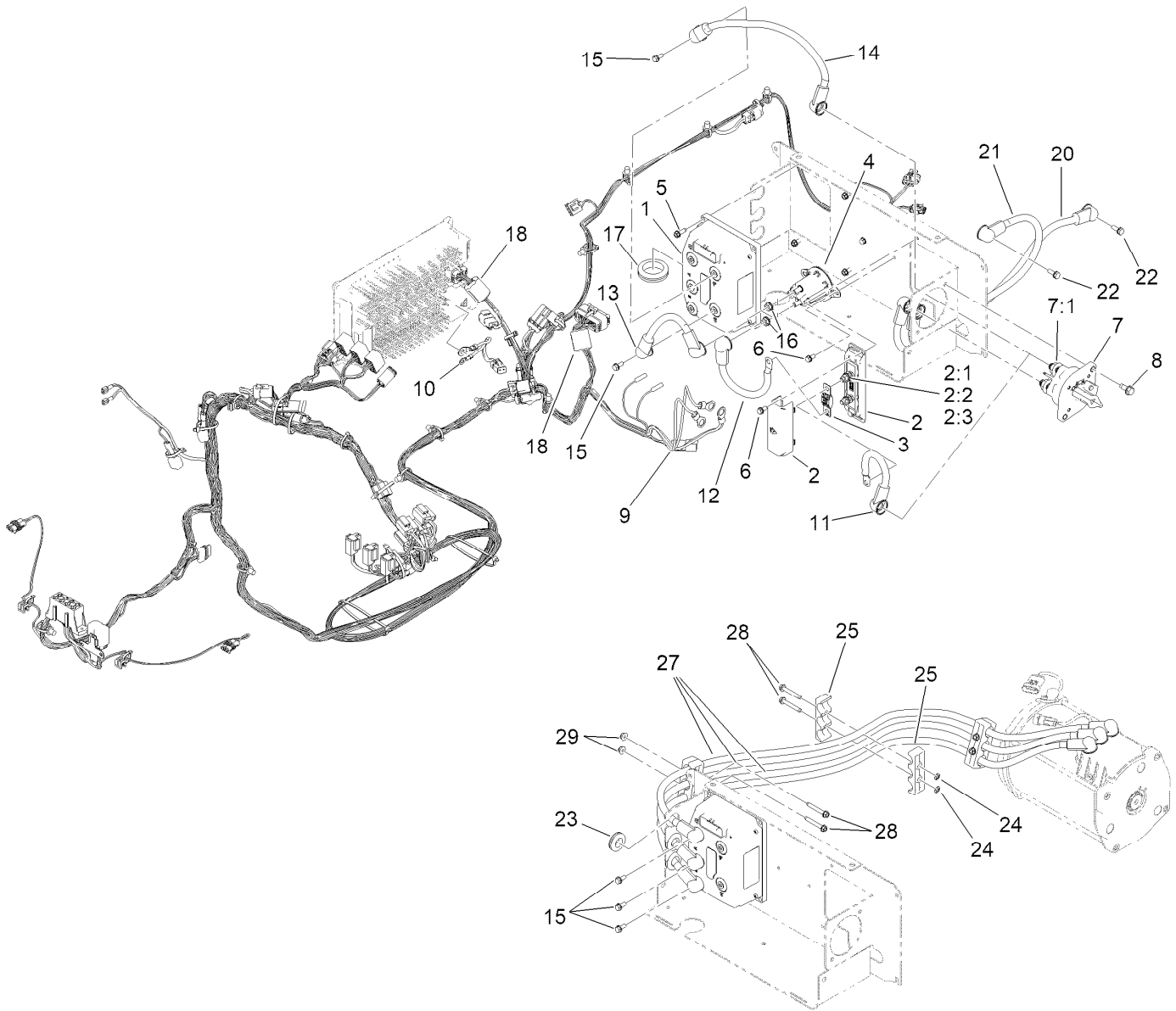


Onboard Charger Assembly

Ref.	Part Number	Qty.	Description	Ref.	Part Number	Qty.	Description
1	147-8213	1	Bracket-Charger	11:2	108-8660	1	Nut-Mounting
1:2	145-7345	1	Decal-Voltage, High	11:3	110-5221	1	Set-Key, Supervisor
2	120-2349	2	Screw	11:4	108-8659	1	Washer-Backup
3	144-5475	1	Charger-Onboard, 900W	12	131-8527	1	Decal-Mode
3:1	140-2494	1	Charger Kit-Service ●	13	140-4628	1	Cordset W/Filter
4	49-2040	4	Screw-HWHTF	15	240-7	1	Grommet-Rubber
5	163-9456-03	1	Bracket-Electrical	17	32144-70	2	Screw-HWHTF
6	107069	4	Clip	18	3250-26	2	Screw-PPH
7	147-8214	1	Cover-Front	19	3296-54	2	Nut-Lock
7:2	145-7345	1	Decal-Voltage, High	20	32180-030	5	Clip-Tie
8	120-9678	4	Screw-HHF	22	147-8205	1	Decal-Fuse 60V
9	1-807512	4	Bolt-CARR	23	122-2792	1	Harness-Wire, Charger Bonding
10	104-7201	4	Nut-HF, NI	24	161-1826	2	Screw-Ground
11	110-2580	1	Switch-Key, Supervisor				
11:1		1	Switch-Key ■				

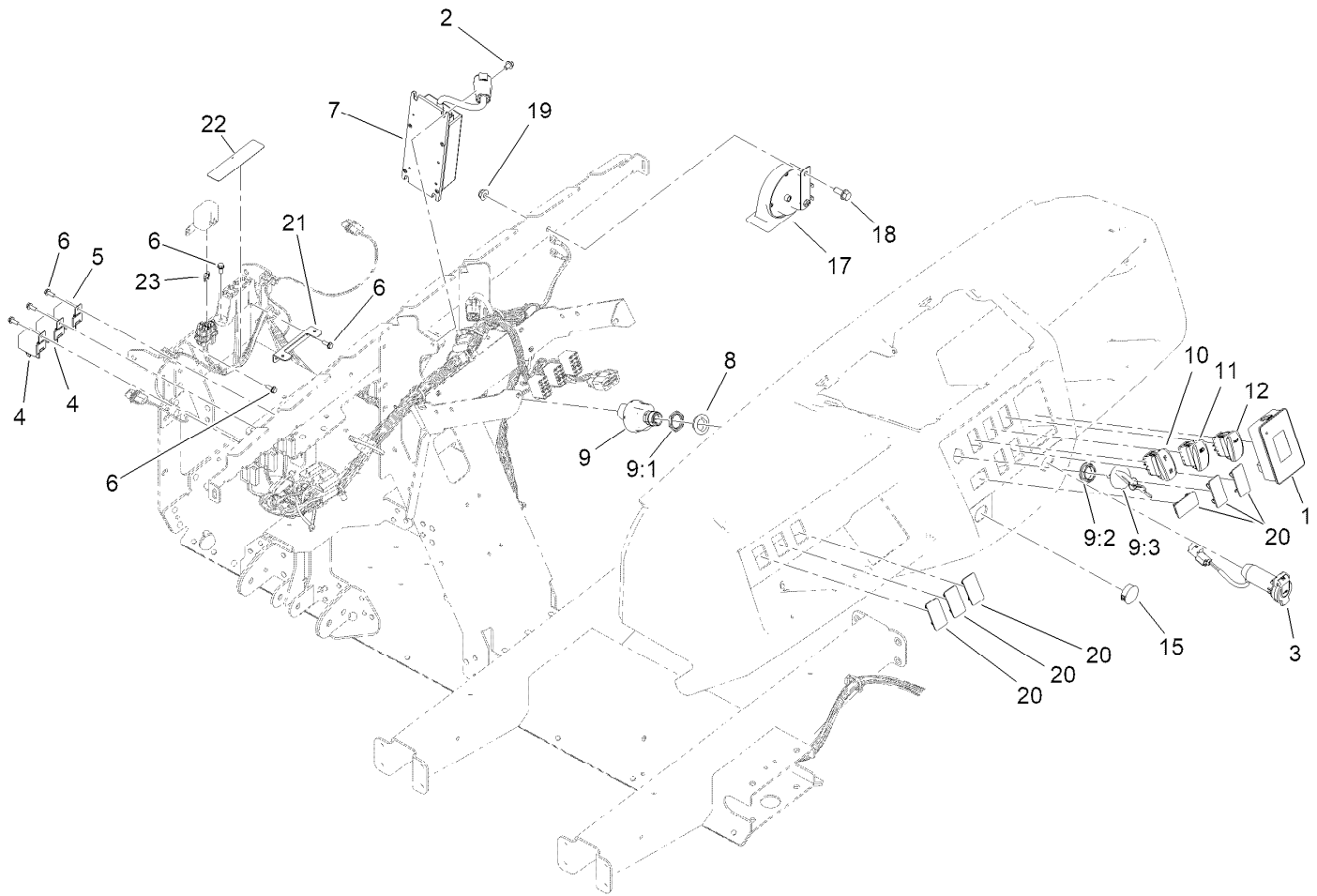
● Not illustrated

■ Not serviced separately



Inverter Assembly

Ref.	Part Number	Qty.	Description	Ref.	Part Number	Qty.	Description
1	145-5050	1	Inv/Ctrlr-48V,185Arms	13	147-8225	1	Cable-Battery,Rd ASM
2	161-6249	1	Holder-Fuse	14	147-8226	1	Cable-Battery,Bk ASM
2:1	136-8682	4	Washer-Lock	15	145-5782	5	Screw-Sems
2:2	3256-74	8	Washer-Flat	16	107-0380	2	Nut-HF
2:3	117-4059	4	Nut-Hex	17	110-5090	1	Grommet
3	122-2561	1	Fuse-200A	18	147-8183	2	Ferrite, Snap-On
4	122-2616	1	Contactora-Powerseal	20	147-8221	1	Cable-Battery,Rd ASM
5	49-2040	4	Screw-HWHTF	21	147-8222	1	Cable-Battery,Bk ASM
6	32144-4	4	Screw-HWH	22	145-5783	2	Screw-Sems
7	122-0603	1	Switch-Disconnect	23	240-6	3	Grommet-Rubber
7:1	33006-00	1	Nut-HF	24	32115-15	2	Nut-Push
8	32144-70	2	Screw-HWHTF	25	145-7166	6	Clamp-Cable
9	122-3872	1	Harness-Wire, Main	27	145-8045	3	Cable-Battery,Rd ASM
10	122-2375	1	Harness-Wire, Charger Power Interface	28	92-1616	6	Screw-HWHTF
11	147-8223	1	Cable-Battery,Rd ASM	29	104-7201	2	Nut-HF, NI
12	147-8224	1	Cable-Battery,Rd ASM				



Controller/Converter and Horn Assembly

Ref.	Part Number	Qty.	Description	Ref.	Part Number	Qty.	Description
1	122-4429	1	Controller, Tdm-1601	12	144-2415	1	Switch-Rocker, (On)-None-Off
2	99-8445	2	Screw-HWH	13	107-0382	1	Powercord-AC, Europe ●
3	163-9341	1	Socket-USB	13	107-0383	1	Powercord-AC, U.K. ●
4	122-2401	2	Relay, 48V Coil, 50A At 48V	13	163-3725	1	Powercord-AC, Us ●
5	122-3199	1	Relay - Dg57CM	15	145-2160	1	Plug-Panel
6	32144-1	9	Screw-Taptite	17	107-0358	1	Horn
7	144-6975	1	Converter DC-DC	18	3234-5	1	Screw-HHF
8	145-7110	1	Adapter-Switch, Key	19	119-4041	1	Nut-HF
9	122-2513	1	Switch-Ignition, Suns	20	99-7420	6	Plug-Hole
9:1	121-5160	1	Nut-Hex	21	145-8046	1	Bracket-Fuse Block
9:2	122-2704	1	Nut-Face, M22 (Plastic)	22	147-8184	1	Decal-Fuse Block 12V/60V
9:3	121-5162	1	Set-Key, Ignition	23	121-8864	1	Fuse-Mini Blade, 5 Amp
10	122-2654	1	Switch-Rocker, On-None-On				
11	144-2405	1	Switch-Rocker, On-None-On				

● Not illustrated

Attachments and Accessories

For 07425 — Workman LTX Lithium Utility Vehicle

Product Name	Model/Part
Trash Can Mounting Kit	07028
Bed Rack Kit.....	07031
Cargo Bed Kit	07046
Extension Kit.....	07049
Cab Kit.....	07142
Door Kit.....	07150
Canopy W/ ROPS.....	07169
Workman GTX 60v Electric Lift Kit.....	07170
Rear Attachment Receiver, Workman GTX Series Utility Vehicle with Steel Cargo Bed	07186
Canopy Mount Kit, Workman GTX Utility Vehicle with Extended Flatbed	07199
Lift Kit.....	07414
Steel Cargo Bed Base	07450
Steel Cargo Bed Solid Sides Kit.....	07451
Workman GTX 2-Person Canopy	07921
Folding Windshield Kit, Workman GTX Utility Vehicle with Canopy	07923
Center Bed Racking - GTX	08147
Side Bed Racking, Workman UTX/MDX/GTX.....	08148
Powercord-AC, Europe.....	107-0382
Powercord-AC, U.K.	107-0383
Tire-20 8.00-10	116-7333
Exterior Mirror Kit.....	130-5448
Interior Mirror Kit.....	130-5449
Beacon Kit	130-5484
Work Light Kit	130-5485
Windshield Washer Fluid Kit, 2015 and after Workman MD/HD Series Utility Vehicle.....	130-5615
Tire/Wheel Asm	131-8319
Reverse Alarm Kit.....	131-8549
Wide Angle Mirror Kit, Utility Vehicle with Canopy.....	133-1009
Wide Angle Mirror Kit.....	133-1038
Door Mount Mirror Kit.....	136-1997
Small Bedrack Mount Grip Kit.....	136-6311
Large Bedrack Mount Grip Kit.....	136-6312
Universal Wireless Hourmeter Kit	144-2436
Battery ASM	145-5385
Kit - Power Converter.....	147-8181
Energy Expansion Kit	147-8220
Ram Ball Mount Kit	163-9494
Tire	94-5236

Notes:

Notes:



Count on it.