



Count on it.

Parts Catalog

**Greensmaster® 3250-D
2-Wheel Drive Traction Unit**

Model No. 04384—Serial No. 420400000 and Up



Ordering Replacement Parts

To order replacement parts, please supply the part number, the quantity, and the description of each part desired.

Understanding Reference Numbers

Each identified part in an illustration has a reference number. The reference number for a part also appears in the parts list, along with other information about the part.

This catalog uses two special reference number formats, one to indicate parts in a service assembly and another to indicate the quantity of a given part in an illustration.

Service Assembly Reference Numbers

Parts in service assemblies have reference numbers in the form a:b. The a represents the reference number of the entire service assembly and the b represents a sequential number unique to each part within the service assembly.

For example, a wheel assembly might be identified by reference number 6, the tire by 6:1, the valve by 6:2, and the wheel by 6:3. When you order the assembly identified by reference number 6, you receive all parts identified by reference numbers 6:1, 6:2, and 6:3. However, you may also order any part individually. Reference numbers of this type appear in illustration and in parts lists.

Reference Numbers Indicating Quantity

In an illustration, if a reference number indicates more than one part, the reference number has the form nX y. The n represents the quantity of the part, the X is the multiplication symbol, and the y represents the reference number.

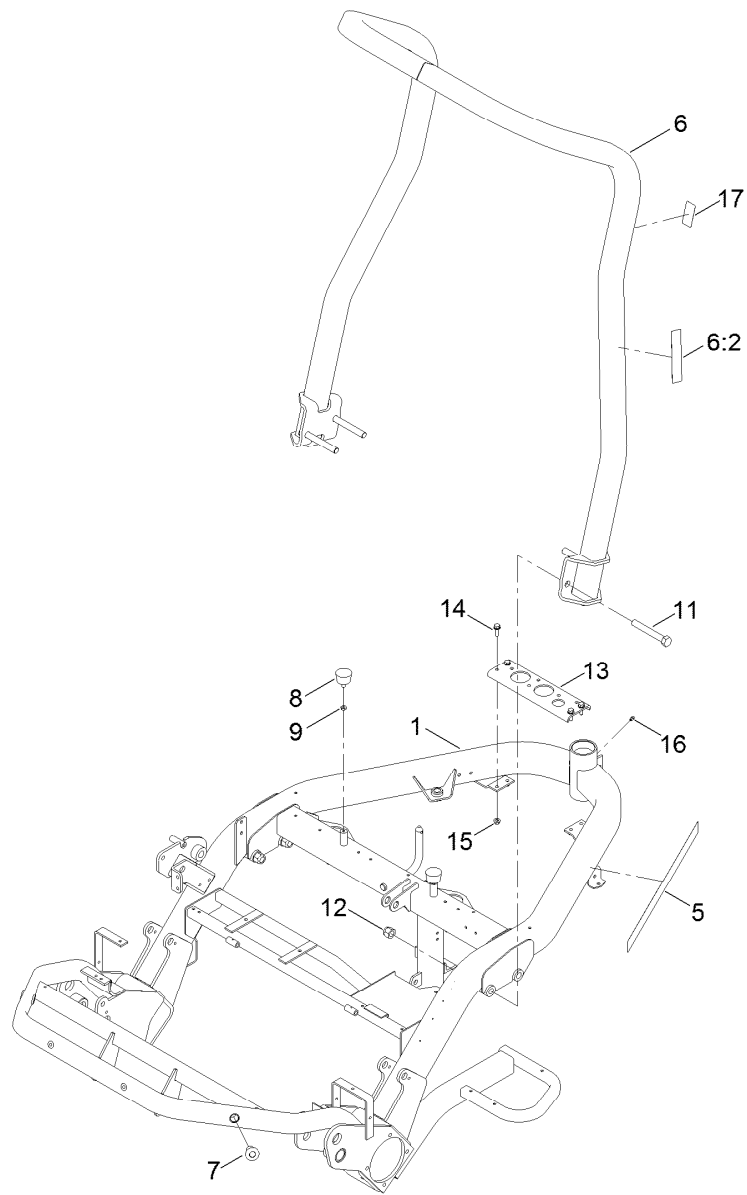
For example, in an illustration, the reference number 2X 37 means that two of the parts identified by reference number 37 are indicated.

Contents

| | |
|---|----|
| Roll-Over Protection System Assembly | 5 |
| Frame Assembly | 6 |
| Traction Control Assembly | 7 |
| Brake Pedal Assembly | 9 |
| Steering Arm Assembly | 10 |
| Operator Platform Assembly | 11 |
| Seat Assembly | 12 |
| Engine Assembly | 14 |
| Intake and Exhaust Assembly | 15 |
| Air Cleaner Assembly No. 95-5805 | 16 |
| Radiator Assembly | 17 |
| Fuel System Assembly | 18 |
| Hydraulic Tank and Filter Assembly | 19 |
| Hydrostat and Gear Pump Drive Assembly | 20 |
| Hydraulic Pump Assembly No. 139-6474 | 22 |
| Hydraulic Gear Pump Assembly No. 114-9956 | 24 |
| Manifold Assembly | 25 |
| Hydraulic Manifold Assembly No. 147-3077 | 26 |
| Steering Valve Assembly | 28 |
| Steering Valve Assembly No. 114-4672 | 29 |
| Steering Cylinder Assembly No. 161-4698 | 30 |
| Left Hand Wheel Motor and Lift Cylinder Assembly | 31 |
| Hydraulic Motor Assembly (CW) No. 110-4016 | 32 |
| Hydraulic Cylinder Assembly No. 139-2651 | 33 |
| Right Hand Wheel Motor and Lift Cylinder Assembly | 34 |
| Hydraulic Motor Assembly (CCW) No. 110-4015 | 35 |
| Hydraulic Reel Motor Assembly No. 115-3321 | 36 |
| Front Reel Motors Assembly | 37 |
| Center Lift Cylinder Assembly | 38 |
| Hydraulic Cylinder Assembly No. 139-2650 | 39 |
| Console Assembly | 40 |
| Joystick Bracket Assembly No. 120-5280 | 41 |
| Electrical Harness Assembly | 42 |
| Battery Assembly | 43 |
| Front Wheel and Brake Assembly | 44 |
| Rear Wheel and Brake Assembly | 45 |
| Right Cutting Unit Suspension Assembly | 46 |
| Left Cutting Unit Suspension Assembly | 48 |
| Center Cutting Unit Suspension Assembly | 50 |
| Crankcase Assembly | 52 |
| Oil Pan, Oil Pump and Dipstick Assembly | 53 |
| Cylinder Head Assembly | 54 |
| Gear Case and Oil Filter Cartridge Assembly | 55 |
| Cylinder Head Cover Assembly | 56 |
| Main Bearing Case Assembly | 57 |
| Camshaft and Idle Gear Shaft Assembly | 58 |
| Piston and Crankshaft Assembly | 59 |
| Fuel Camshaft Assembly | 60 |
| Idle Apparatus and Fuel Pump Cover Assembly | 61 |
| Stop Solenoid and Speed Control Plate Assembly | 62 |
| Injection Pump Assembly | 63 |
| Governor Assembly | 64 |
| Nozzle Holder and Glow Plug Assembly | 65 |
| Nozzle Holder Assembly | 66 |

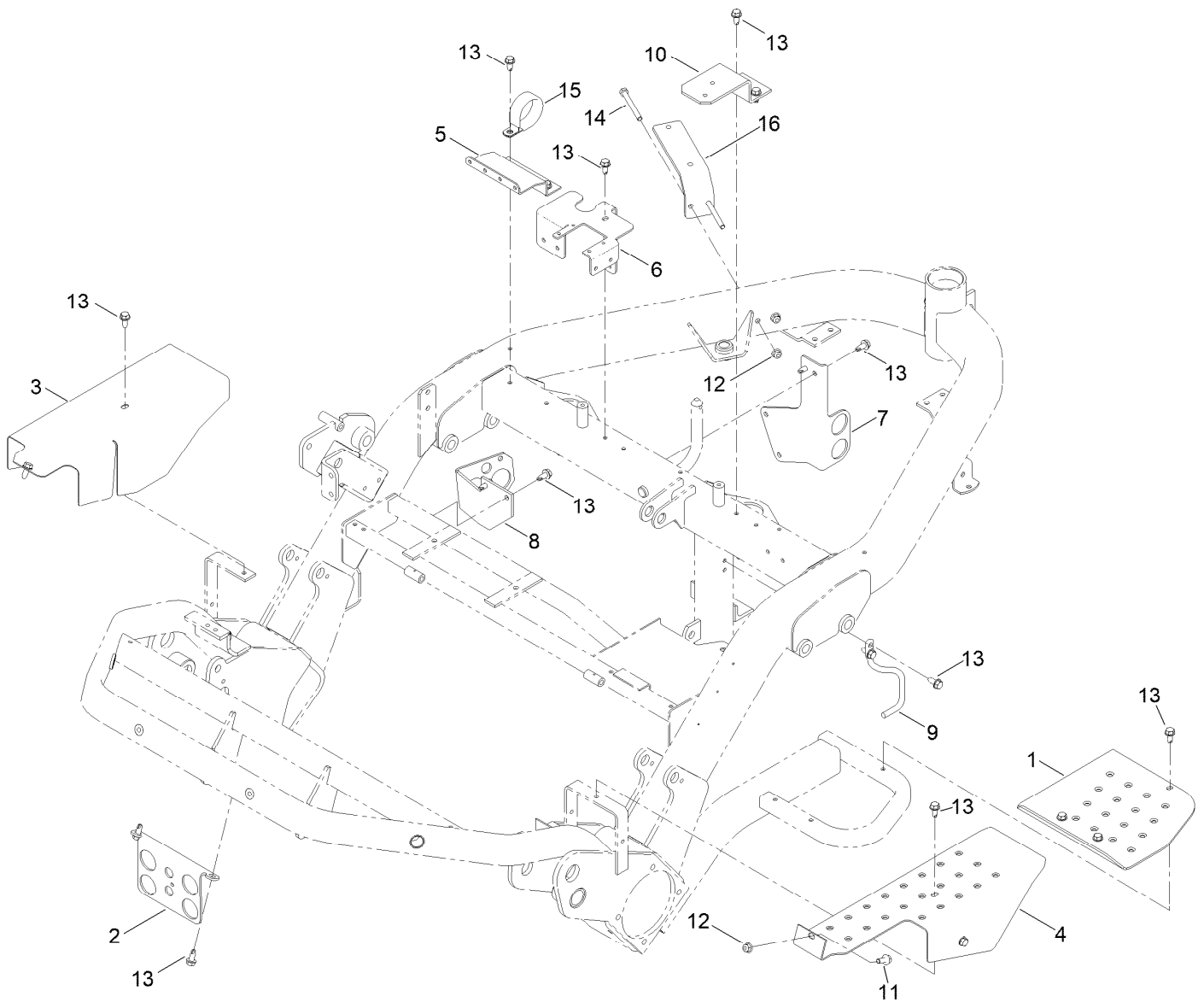
Contents (continued)

| | |
|--|----|
| Alternator and Pulley Assembly | 68 |
| Alternator Assembly No. 131-6557 | 69 |
| Starter and Flywheel Assembly | 70 |
| Starter Component Assembly | 71 |
| Water Flange and Thermostat Assembly | 72 |
| Water Pump and Water Pipe Assembly | 73 |
| Valve and Rocker Arm Assembly | 74 |
| Inlet and Exhaust Manifold Assembly | 75 |
| Attachments and Accessories | 76 |



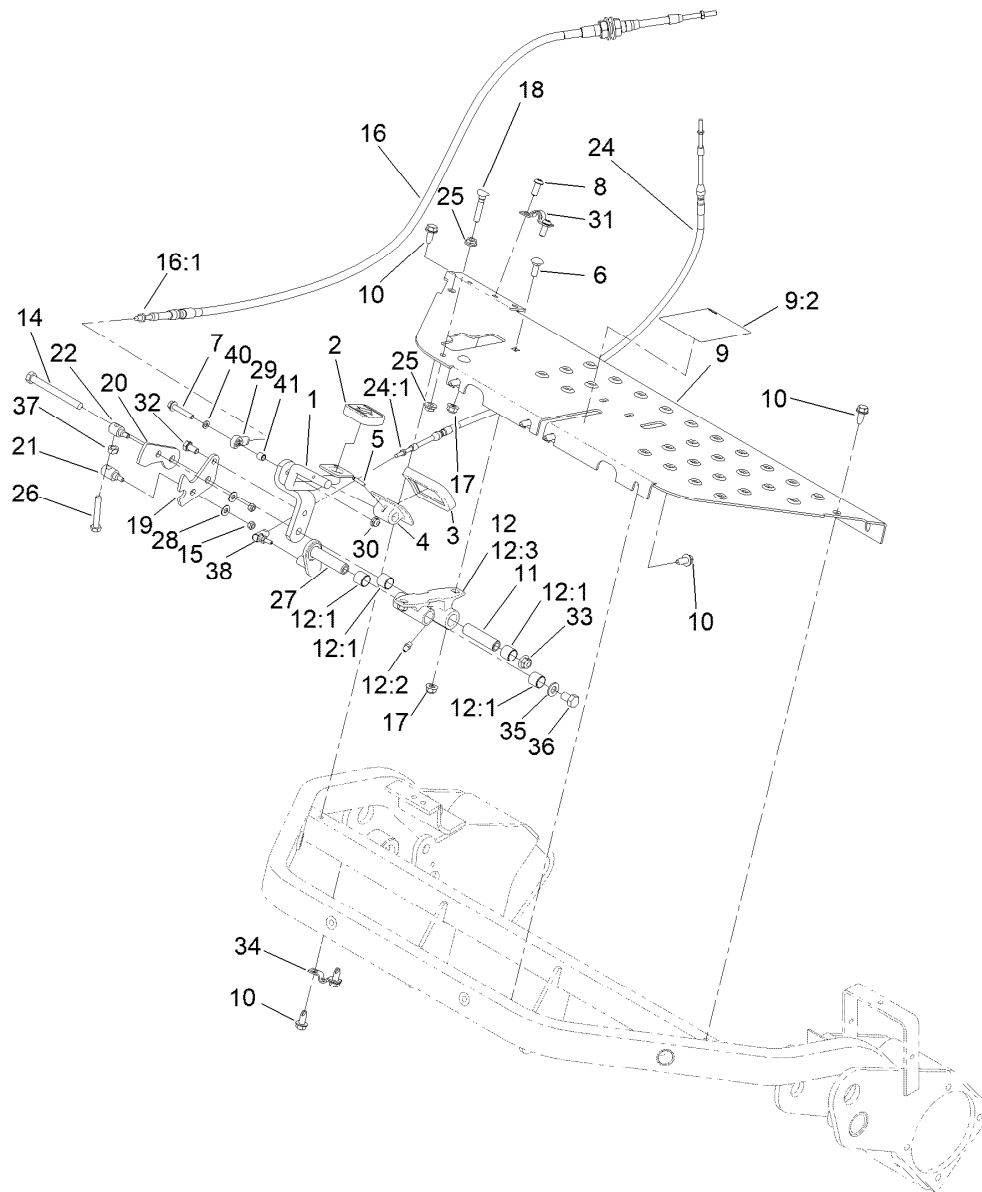
Roll-Over Protection System Assembly

| <i>Ref.</i> | <i>Part Number</i> | <i>Qty.</i> | <i>Description</i> |
|-------------|--------------------|-------------|--------------------|
| 1 | 127-6145-01 | 1 | Frame |
| 5 | 99-1493 | 1 | Decal |
| 6 | 125-5158 | 1 | ROPS ASM |
| 6:2 | 115-8226 | 1 | Decal-ROPS |
| 7 | 83-1700 | 3 | Bushing-Flange |
| 8 | 68-3270 | 2 | Bumper-Rubber |
| 9 | 3218-2 | 2 | Nut-Hex Jam |
| 11 | 327-23 | 4 | Screw-HH |
| 12 | 3296-53 | 4 | Nut-Lock, NI |
| 13 | 93-2020-01 | 1 | Bracket-Support |
| 14 | 3234-29 | 4 | Screw-HHF |
| 15 | 119-4041 | 4 | Nut-HF |
| 16 | 302-5 | 1 | Fitting-Grease |
| 17 | 133-2311 | 1 | Decal-ROPS |



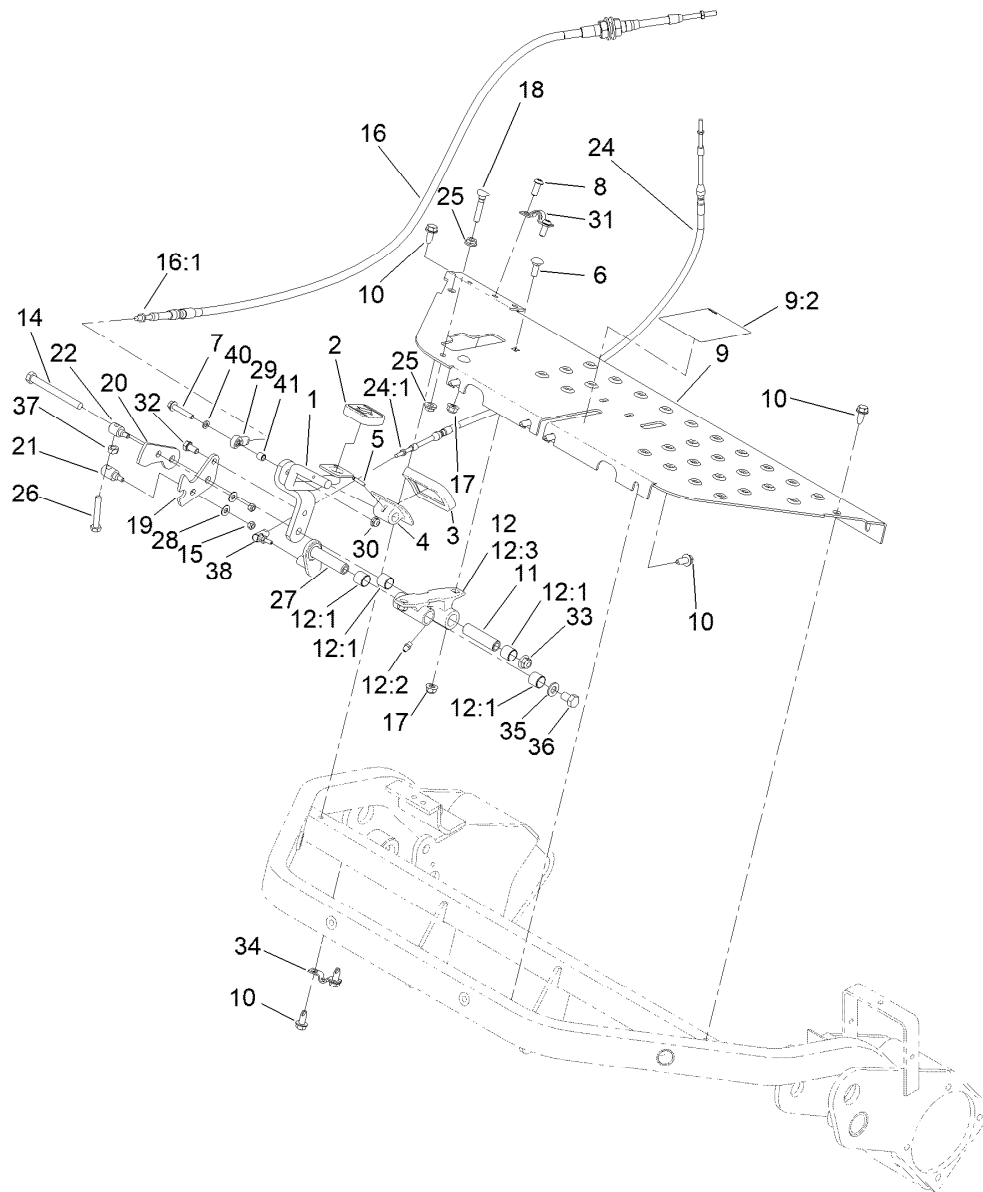
Frame Assembly

| Ref. | Part Number | Qty. | Description | Ref. | Part Number | Qty. | Description |
|-------------|--------------------|-------------|--------------------|-------------|--------------------|-------------|----------------------|
| 1 | 130-0104-01 | 1 | Step | 9 | 130-6527 | 1 | Retainer-Hose |
| 2 | 121-2636-01 | 1 | Bracket-Bulkhead | 10 | 131-8780-03 | 1 | Bracket-Oil Filter |
| 3 | 93-2072-01 | 1 | Shield-Wheel, RH | 11 | 3234-47 | 1 | Screw-HHF |
| 4 | 93-2073-01 | 1 | Shield-Wheel, LH | 12 | 119-4041 | 3 | Nut-HF |
| 5 | 93-2169-01 | 1 | Bracket-Relay | 13 | 32104-32 | 22 | Screw-HWH |
| 6 | 145-4560-01 | 1 | Bracket-Fuse Block | 14 | 322-20 | 2 | Screw-HH |
| 7 | 99-4222-03 | 1 | Bracket-Hose | 15 | 115-9469 | 1 | Clamp-R |
| 8 | 94-1316 | 1 | Bracket-Bulkhead | 16 | 99-4203-03 | 1 | Bracket-Cleaner, Air |



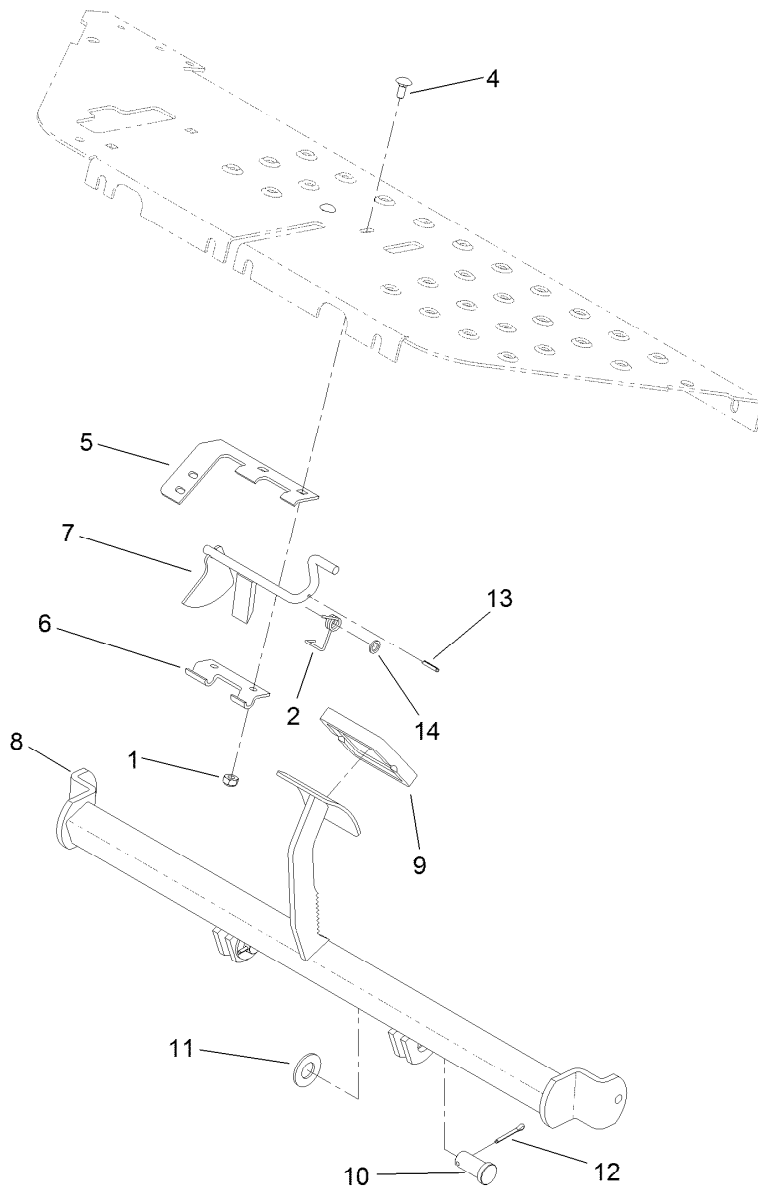
Traction Control Assembly

| <i>Ref.</i> | <i>Part Number</i> | <i>Qty.</i> | <i>Description</i> | <i>Ref.</i> | <i>Part Number</i> | <i>Qty.</i> | <i>Description</i> |
|-------------|--------------------|-------------|------------------------|-------------|--------------------|-------------|------------------------|
| 1 | 93-2085-01 | 1 | Rod ASM | 18 | 17-9420 | 1 | Screw-Handle |
| 2 | 74-9110 | 1 | Pad-Pedal, Reverse | 19 | 94-1373 | 1 | Bracket-Lock |
| 3 | 74-9100 | 1 | Pad-Pedal, Forward | 20 | 94-1372 | 1 | Bracket-Mow |
| 4 | 117-9507 | 1 | Pedal-Accelerator | 21 | 94-1375 | 1 | Trunnion-Bracket, Lock |
| 5 | 32121-45 | 1 | Pin-Spring | 22 | 94-1374 | 1 | Trunnion-Bracket, Mow |
| 6 | 3230-16 | 2 | Screw-CARR | 24 | 94-1304 | 1 | Cable-Lock, Neutral |
| 7 | 94-5781 | 1 | Screw-HHF | 24:1 | 3219-14 | 2 | Nut-Hex |
| 8 | 3274-55 | 2 | Screw-HSBH | 25 | 32128-20 | 2 | Nut-HF |
| 9 | 136-8570 | 1 | Plate-Floor | 26 | 94-3489 | 1 | Screw-HH |
| 9:2 | 93-8062 | 1 | Decal-Brake, Parking | 27 | 140-6108 | 1 | Pin-Flag, Neutral Lock |
| 10 | 32104-32 | 8 | Screw-HWH | 28 | 3256-1 | 2 | Washer-Flat |
| 11 | 94-1371 | 1 | Spacer | 29 | 2411-41 | 1 | Rod End-Ball Joint |
| 12 | 140-6163 | 1 | Pivot Pedal ASM | 30 | 104-7201 | 1 | Nut-HF, NI |
| 12:1 | 136-8417 | 4 | Bushing | 31 | 93-2092 | 1 | Clamp-Cable |
| 12:2 | 302-5 | 1 | Fitting-Grease | 32 | 33114-016 | 1 | Screw-HH |
| 12:3 | 115-6695 | 1 | Pedal-Pivot | 33 | 119-4042 | 1 | Nut-HF, NI |
| 14 | 323-42 | 1 | Screw-HH | 34 | 93-2279 | 1 | Clamp-Cable |
| 15 | 33023-00 | 2 | Nut-Lock | 35 | 3256-24 | 1 | Washer-Plain |
| 16 | 145-4566 | 1 | Cable-Traction Control | 36 | 33115-016 | 1 | Screw-HH |
| 16:1 | 3220-1 | 2 | Nut-Jam | 37 | 33014-00 | 1 | Nut-Hex |
| 17 | 119-4041 | 4 | Nut-HF | 38 | 2411-38 | 1 | Joint-Ball |



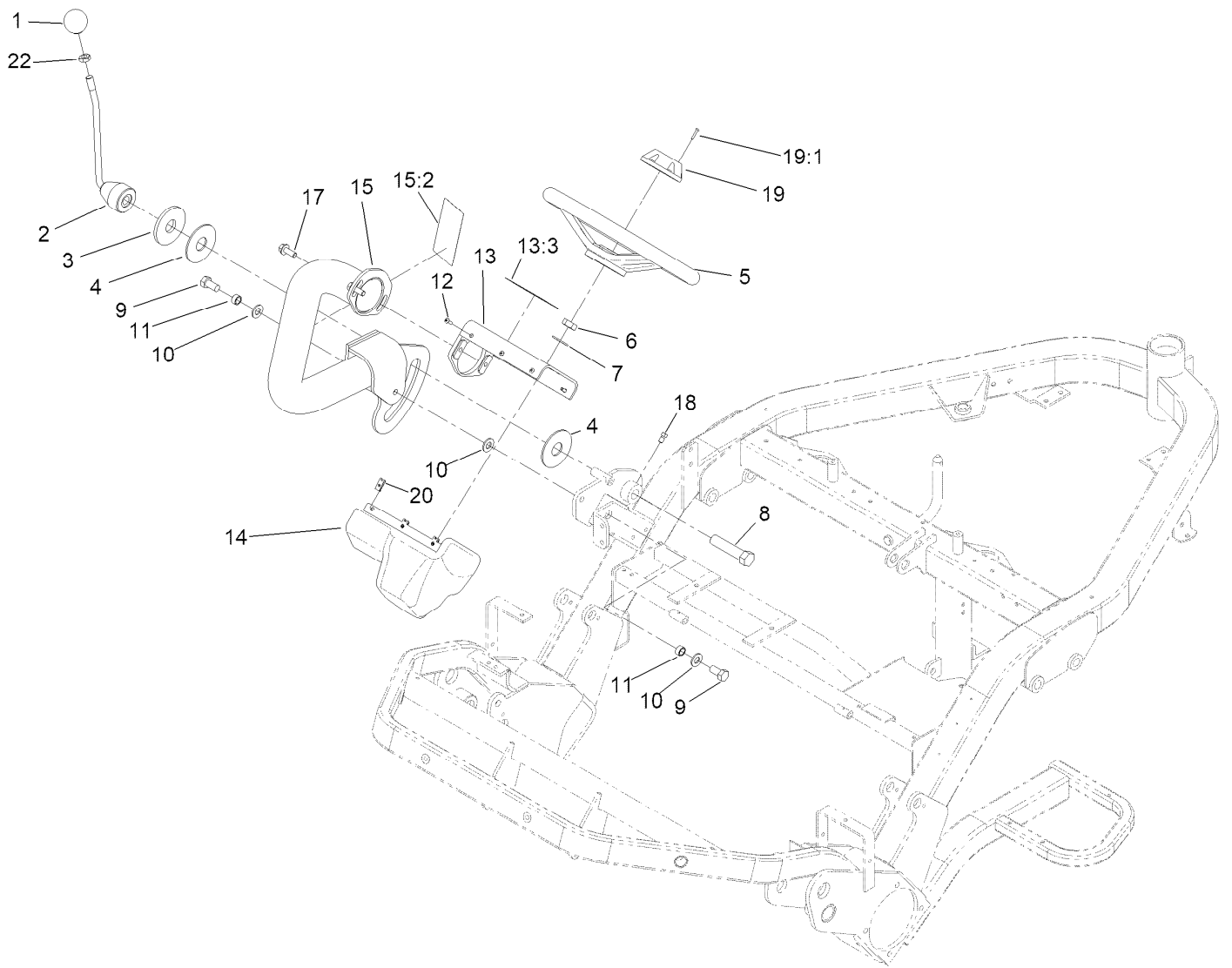
Traction Control Assembly (continued)

| <i>Ref.</i> | <i>Part Number</i> | <i>Qty.</i> | <i>Description</i> |
|-------------|--------------------|-------------|--------------------|
| 40 | 33093-00 | 1 | Washer-Flat |
| 41 | 99-3545 | 1 | Spacer |



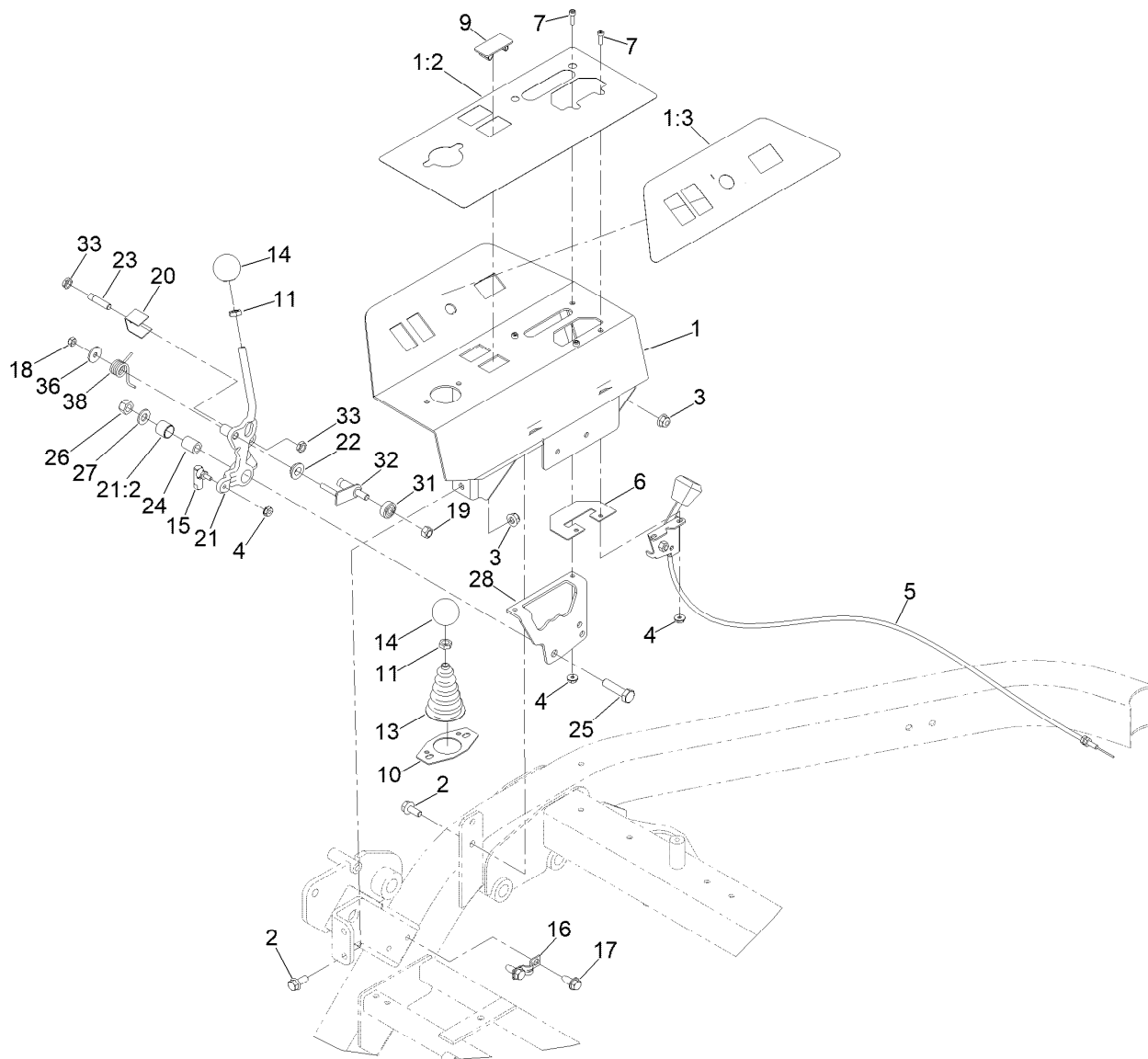
Brake Pedal Assembly

| <i>Ref.</i> | <i>Part Number</i> | <i>Qty.</i> | <i>Description</i> |
|-------------|--------------------|-------------|---------------------|
| 1 | 3296-16 | 2 | Nut-Lock, NI |
| 2 | 104-7704 | 1 | Spring-Latch, Brake |
| 4 | 3229-11 | 2 | Screw-CARR |
| 5 | 132-3807 | 1 | Bracket-Switch |
| 6 | 104-7703 | 1 | Hinge-Lower |
| 7 | 104-2094 | 1 | Brake-Latch |
| 8 | 93-2075-01 | 1 | Brake Pedal ASM |
| 9 | 93-7629 | 1 | Pad-Foot, Brake |
| 10 | 283-87 | 2 | Pin-Clevis |
| 11 | 3256-27 | 2 | Washer-Flat |
| 12 | 3272-11 | 2 | Pin-Cotter |
| 13 | 32121-50 | 1 | Pin-Spring |
| 14 | 75-5470 | 1 | Spacer-Bearing |



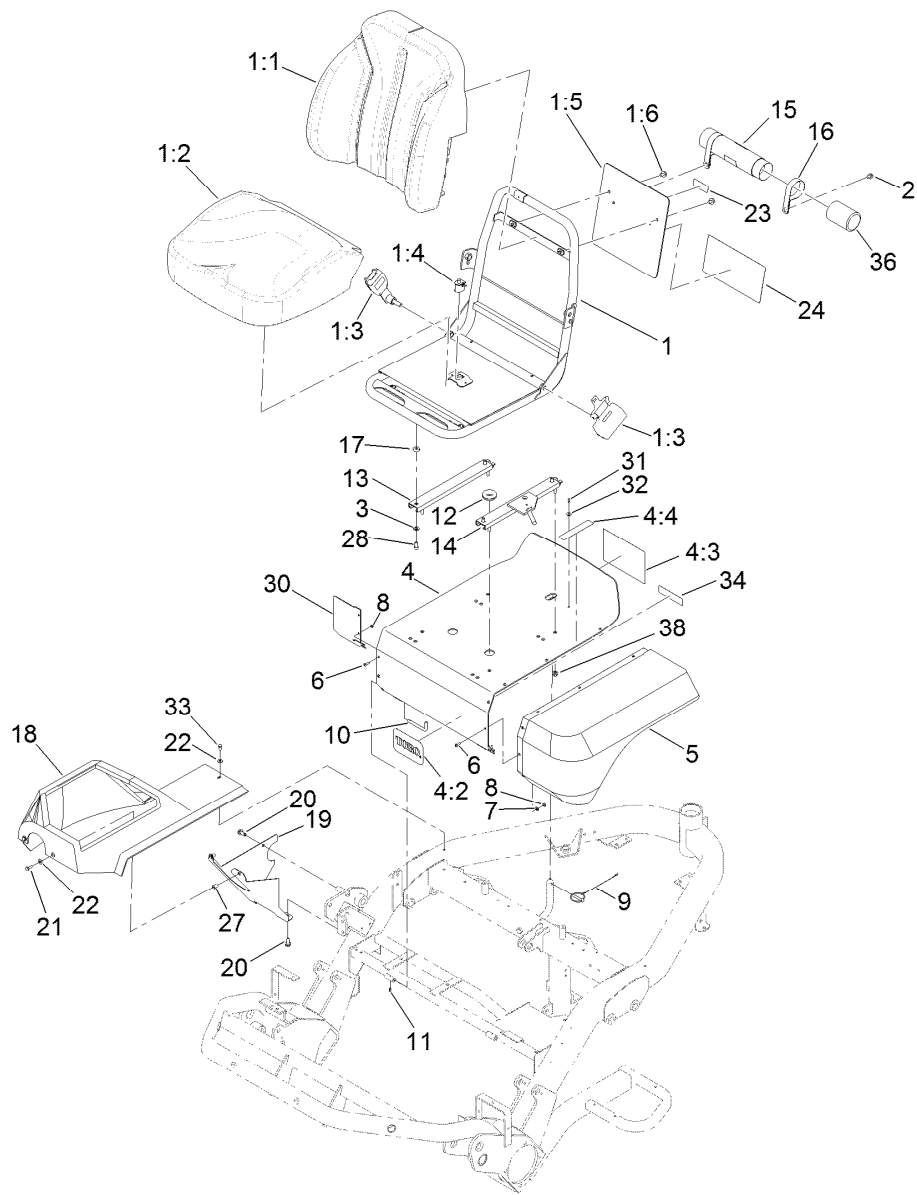
Steering Arm Assembly

| <i>Ref.</i> | <i>Part Number</i> | <i>Qty.</i> | <i>Description</i> | <i>Ref.</i> | <i>Part Number</i> | <i>Qty.</i> | <i>Description</i> |
|-------------|--------------------|-------------|----------------------|-------------|--------------------|-------------|-----------------------|
| 1 | 233-48 | 1 | Knob | 13 | 136-8571 | 1 | Mount-Steering |
| 2 | 93-2400-03 | 1 | Lockup Handle ASM | 13:3 | 136-8505 | 1 | Decal-Danger, CE |
| 3 | 83-0760 | 1 | Spacer-Plate, Lockup | 14 | 119-9300 | 1 | Cover-Valve, Steering |
| 4 | 83-0740 | 2 | Disc-Friction | 15 | 136-8450 | 1 | Arm-Steering |
| 5 | 145-0051 | 1 | Steering Wheel | 15:2 | 93-8068 | 1 | Decal-Arm, Steering |
| 6 | 3296-33 | 1 | Nut-Lock, NI | 17 | 3234-42 | 2 | Screw-HHF |
| 7 | 3256-27 | 1 | Washer-Flat | 18 | 3242-2 | 1 | Screw-SQH |
| 8 | 93-2199 | 1 | Screw-HH, RH | 19 | 68-5140 | 1 | Cap-Wheel, Steering |
| 9 | 325-4 | 2 | Screw-HH | 19:1 | 32144-21 | 1 | Screw |
| 10 | 3256-26 | 3 | Washer-Flat | 20 | 3290-277 | 6 | Nut-Speed |
| 11 | 47-2890 | 2 | Bushing | 22 | 3218-5 | 1 | Nut-Jam |
| 12 | 3274-39 | 6 | Screw-HSBH | | | | |



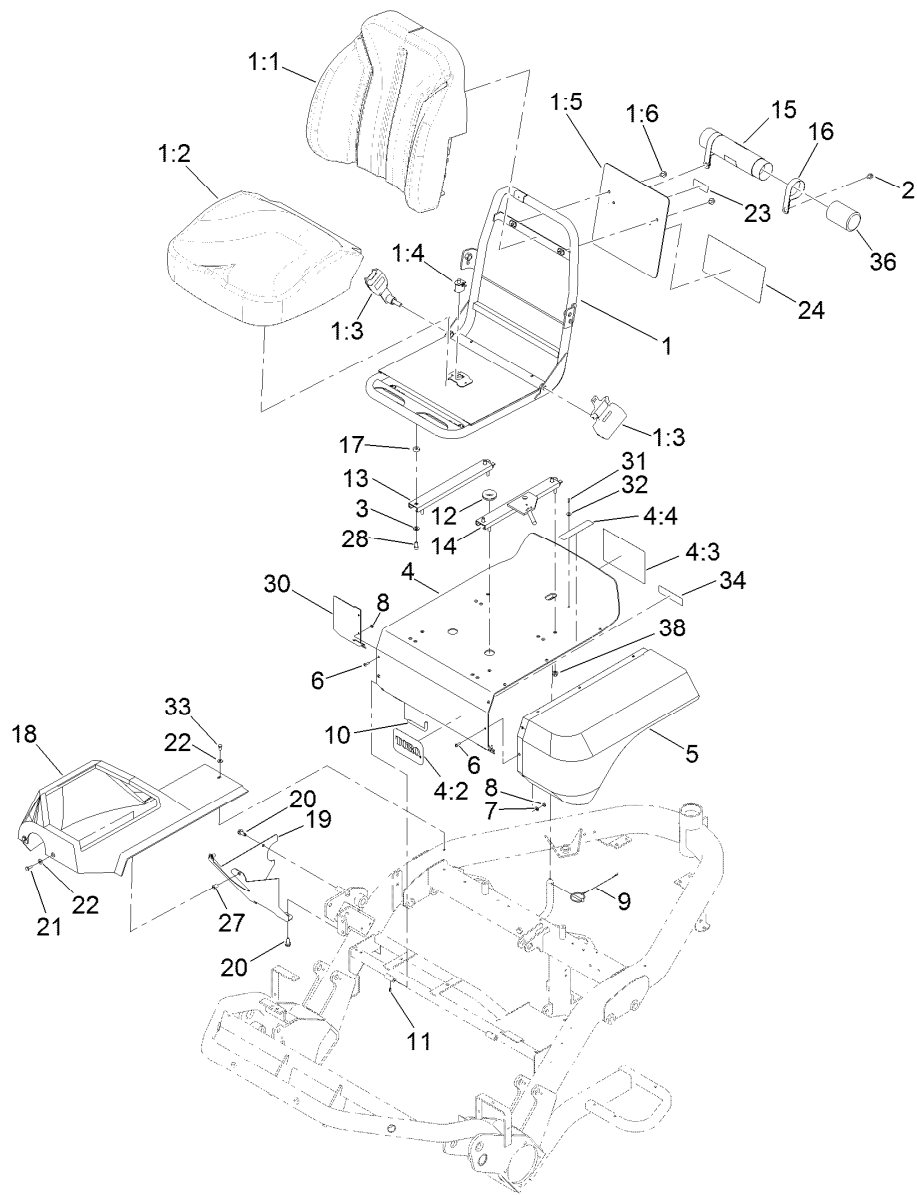
Operator Platform Assembly

| <i>Ref.</i> | <i>Part Number</i> | <i>Qty.</i> | <i>Description</i> | <i>Ref.</i> | <i>Part Number</i> | <i>Qty.</i> | <i>Description</i> |
|-------------|--------------------|-------------|-------------------------|-------------|--------------------|-------------|--------------------|
| 1 | 163-8798 | 1 | Console Service | 18 | 33023-00 | 1 | Nut-Lock |
| 1:2 | 127-6115 | 1 | Decal-Panel, Instrument | 19 | 33024-00 | 1 | Nut-Lock, NI |
| 1:3 | 163-8786 | 1 | Decal-Control Panel | 20 | 106-6356 | 1 | Shield-Switch |
| 2 | 3234-47 | 4 | Screw-HHF | 21 | 161-4725 | 1 | Handle ASM |
| 3 | 119-4041 | 4 | Nut-HF | 21:2 | 136-8417 | 1 | Bushing |
| 4 | 32149-8 | 5 | Nut-Keps | 22 | 94-9619 | 1 | Bushing |
| 5 | 120-5261 | 1 | Control-Throttle | 23 | 120-5348 | 1 | Actuator-Switch |
| 6 | 112-9179 | 1 | Plate-Cover | 24 | 94-1378 | 1 | Tube-Pivot, Handle |
| 7 | 3273-26 | 4 | Screw-HSH | 25 | 33115-040 | 1 | Screw-HH |
| 9 | 99-7420 | 1 | Plug-Hole | 26 | 33025-00 | 1 | Nut-Lock, NI |
| 10 | 112-9181 | 1 | Plate-Boot | 27 | 3256-24 | 1 | Washer-Plain |
| 11 | 3218-3 | 2 | Nut-Jam | 28 | 94-6398 | 1 | Bracket-Traction |
| 13 | 93-5961 | 1 | Boot-Lever | 31 | 251-259 | 1 | Bearing-Ball |
| 14 | 233-42 | 2 | Knob | 32 | 125-1928 | 1 | Pin |
| 15 | 2411-38 | 1 | Joint-Ball | 33 | 117-4059 | 2 | Nut-Hex |
| 16 | 93-2279 | 1 | Clamp-Cable | 36 | 3256-67 | 1 | Washer |
| 17 | 32104-32 | 2 | Screw-HWH | 38 | 94-9620 | 1 | Spring-Torsion |



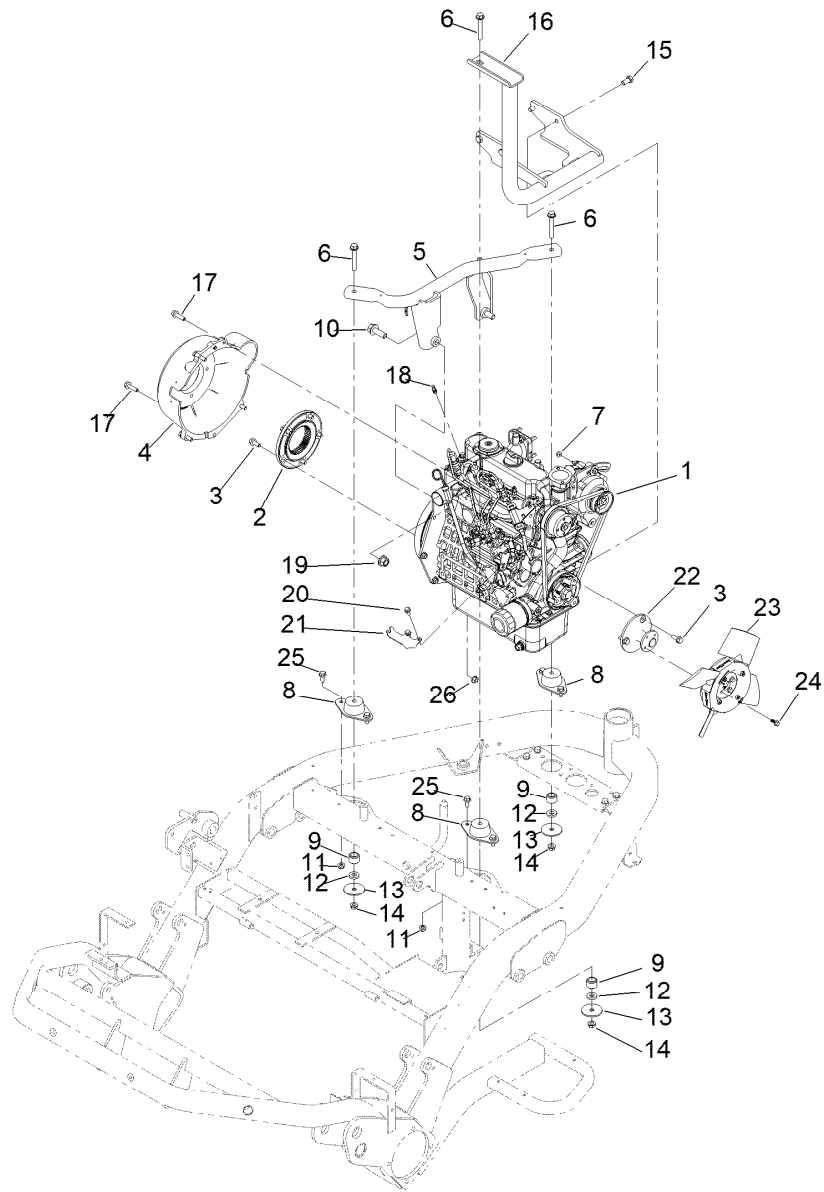
Seat Assembly

| <i>Ref.</i> | <i>Part Number</i> | <i>Qty.</i> | <i>Description</i> | <i>Ref.</i> | <i>Part Number</i> | <i>Qty.</i> | <i>Description</i> |
|-------------|--------------------|-------------|--------------------|-------------|--------------------|-------------|----------------------------|
| 1 | 139-2680 | 1 | Seat ASM | 13 | 92-8990 | 1 | Adjuster-Seat, Non-Locking |
| 1:1 | 145-0083 | 1 | Cover-Seat, Back | 14 | 92-8991 | 1 | Adjuster (W/Latch) |
| 1:2 | 145-0084 | 1 | Cover-Seat, Bottom | 15 | 104-7050 | 1 | Tube-Manual |
| 1:3 | 139-2707 | 1 | Seat Belt Kit | 16 | 2412-133 | 2 | Clamp-R |
| 1:4 | 82-2190 | 1 | Switch-Bail | 17 | 121-1759 | 4 | Spacer |
| 1:5 | 139-2701 | 1 | Plate-Decal | 18 | 99-4208 | 1 | Shroud-Console |
| 1:6 | 3234-30 | 2 | Screw-HHF | 19 | 94-4547-03 | 1 | Panel-Lower, RH |
| 2 | 32104-82 | 2 | Screw-HHF | 20 | 32104-32 | 2 | Screw-HWH |
| 3 | 3256-23 | 4 | Washer-Plain | 21 | 33113-016 | 2 | Screw-HH |
| 4 | 136-8573 | 1 | Seat Support ASM | 22 | 3256-1 | 3 | Washer-Flat |
| 4:2 | 94-2579 | 1 | Decal | 23 | 93-6686 | 1 | Decal-Oil, HYD |
| 4:3 | 115-8156 | 1 | Decal-Speed, Clip | 24 | 121-9501 | 1 | Decal-Service, Spanish |
| 4:4 | 93-6689 | 1 | Decal-No Riders | 24 | 121-9502 | 1 | Decal-Service, French |
| 5 | 93-2128 | 1 | Panel-Base, Seat | 24 | 121-9503 | 1 | Decal-Service, German |
| 6 | 3274-39 | 9 | Screw-HSBH | 24 | 121-9504 | 1 | Decal-Service, Swedish |
| 7 | 3256-77 | 6 | Washer-Flat | 24 | 121-9505 | 1 | Decal-Service, Italian |
| 8 | 3296-12 | 9 | Nut-Lock, NI | 24 | 121-9506 | 1 | Decal-Service, Portuguese |
| 9 | 77-3780 | 1 | Pin ASM-Lynch | 24 | 121-9507 | 1 | Decal-Service, Norwegian |
| 10 | 93-2422 | 2 | Rod-Pivot, Seat | 24 | 121-9508 | 1 | Decal-Service, Finnish |
| 11 | 32121-7 | 2 | Pin-Roll, Slotted | 24 | 121-9509 | 1 | Decal-Service, Danish |
| 12 | 237-100 | 1 | Grommet | 24 | 121-9510 | 1 | Decal-Service, Dutch |



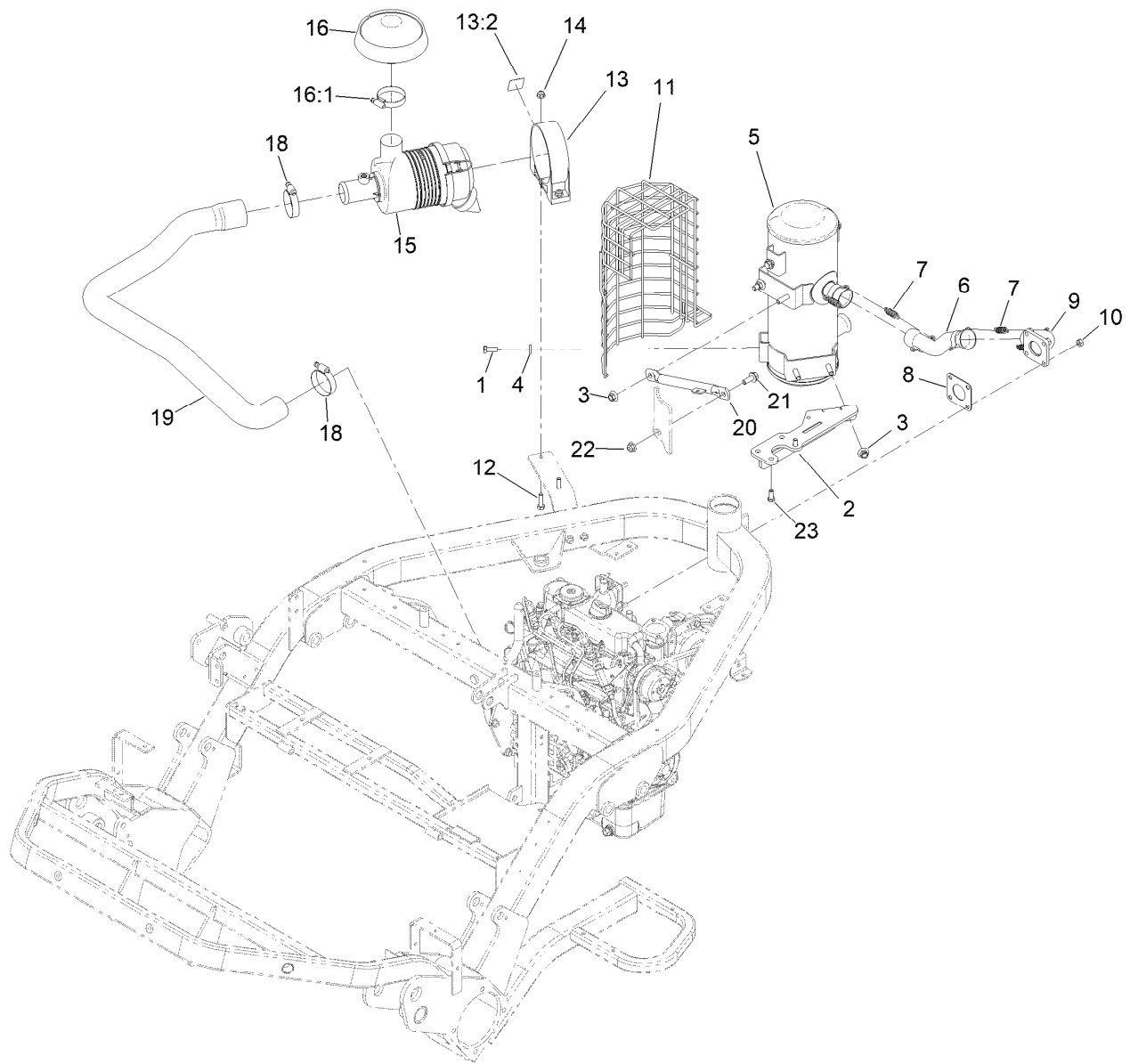
Seat Assembly (continued)

| <i>Ref.</i> | <i>Part Number</i> | <i>Qty.</i> | <i>Description</i> | <i>Ref.</i> | <i>Part Number</i> | <i>Qty.</i> | <i>Description</i> |
|-------------|--------------------|-------------|-------------------------|-------------|--------------------|-------------|----------------------|
| 24 | 121-9511 | 1 | Decal-Service, Japanese | 32 | 3256-49 | 1 | Washer-Plain |
| 24 | 139-2726 | 1 | Decal-Service, GR3250 | 33 | 33113-012 | 1 | Screw-HH |
| 27 | 93-5447 | 2 | Nut-Clinch | 34 | 133-8062 | 1 | Decal-Spark Arrestor |
| 28 | 3274-22 | 4 | Screw-HSH | 36 | 104-7048 | 1 | Cap-Housing |
| 30 | 94-4546-03 | 1 | Panel-Extension | 38 | 119-4041 | 4 | Nut-HF |
| 31 | 3290-282 | 1 | Rivet-Blind | | | | |



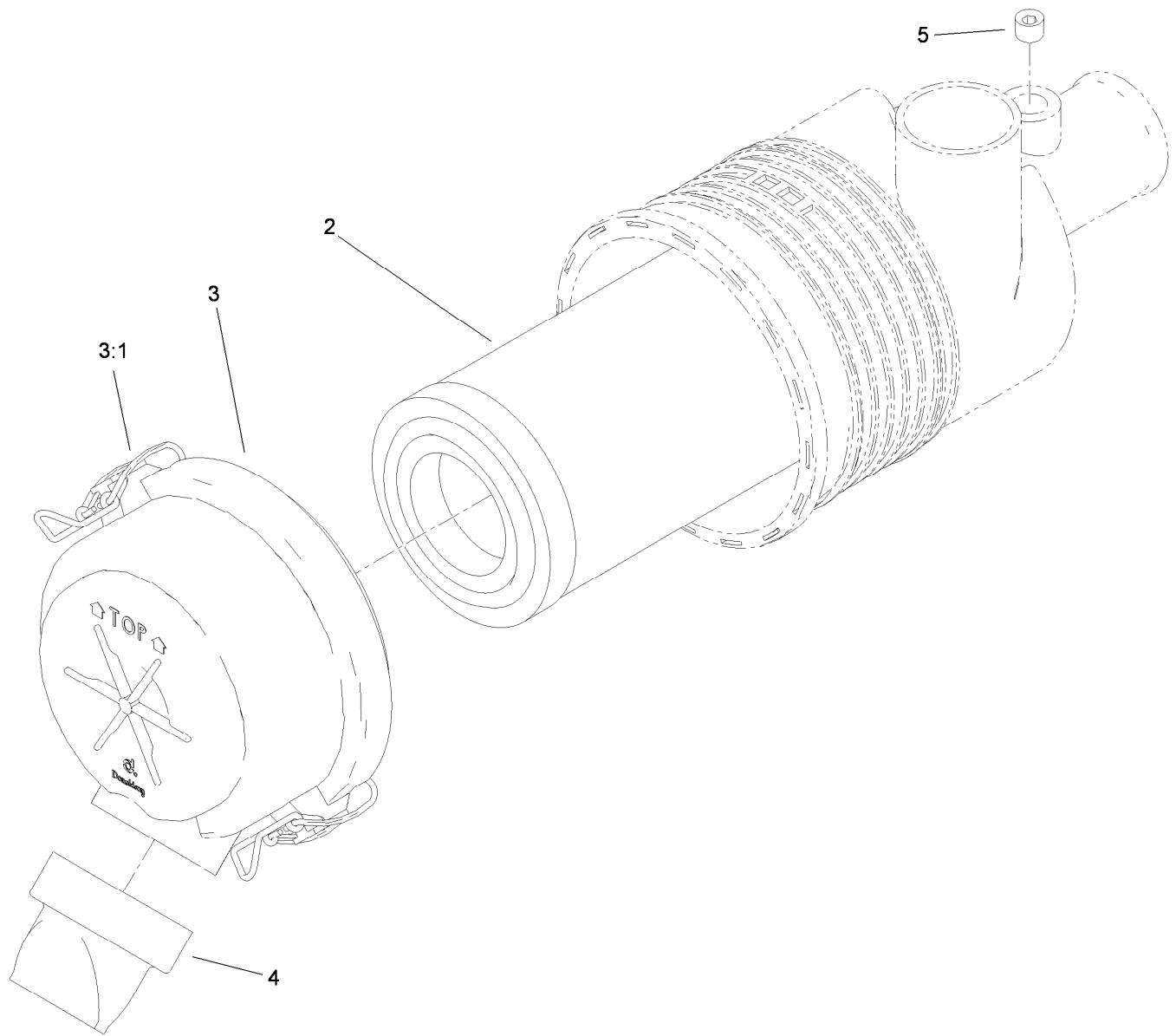
Engine Assembly

| <i>Ref.</i> | <i>Part Number</i> | <i>Qty.</i> | <i>Description</i> | <i>Ref.</i> | <i>Part Number</i> | <i>Qty.</i> | <i>Description</i> |
|-------------|--------------------|-------------|---------------------|-------------|--------------------|-------------|---------------------------|
| 1 | 138-6903 | 1 | Engine-Kubota, D902 | 14 | 3290-357 | 3 | Nut-HSF |
| 2 | 115-8727 | 1 | Flange-Coupling | 15 | 63-7790 | 4 | Screw-Cap |
| 3 | 33104-020 | 8 | Screw-HHF | 16 | 133-2346-03 | 1 | Support-Engine |
| 4 | 132-6994 | 1 | Housing-Bell | 17 | 33104-030 | 5 | Screw-HHF |
| 5 | 120-5313-03 | 1 | Mount-Engine | 18 | 108-5928 | 1 | Swivel-Stop, Cable |
| 6 | 3234-39 | 3 | Screw-HHF | 19 | 139-1689 | 2 | Nut-HF |
| 7 | 33003-00 | 1 | Nut-HF | 20 | 33103-016 | 2 | Screw-HHF |
| 8 | 121-9076 | 3 | Mount-Engine | 21 | 120-5316 | 1 | Bracket-Support, Throttle |
| 9 | 94-4538 | 3 | Spacer-Mount | 22 | 119-4421 | 1 | Adaptor-Fan |
| 10 | 100-6116 | 2 | Screw-HHF | 23 | 120-5287 | 1 | Fan-35 DEG |
| 11 | 119-4041 | 6 | Nut-HF | 24 | 99-6810 | 4 | Screw-HHF |
| 12 | 66-6480 | 3 | Washer | 25 | 3234-47 | 6 | Screw-HHF |
| 13 | 83-1040 | 3 | Washer-Flat | 26 | 33004-00 | 1 | Nut-HF |



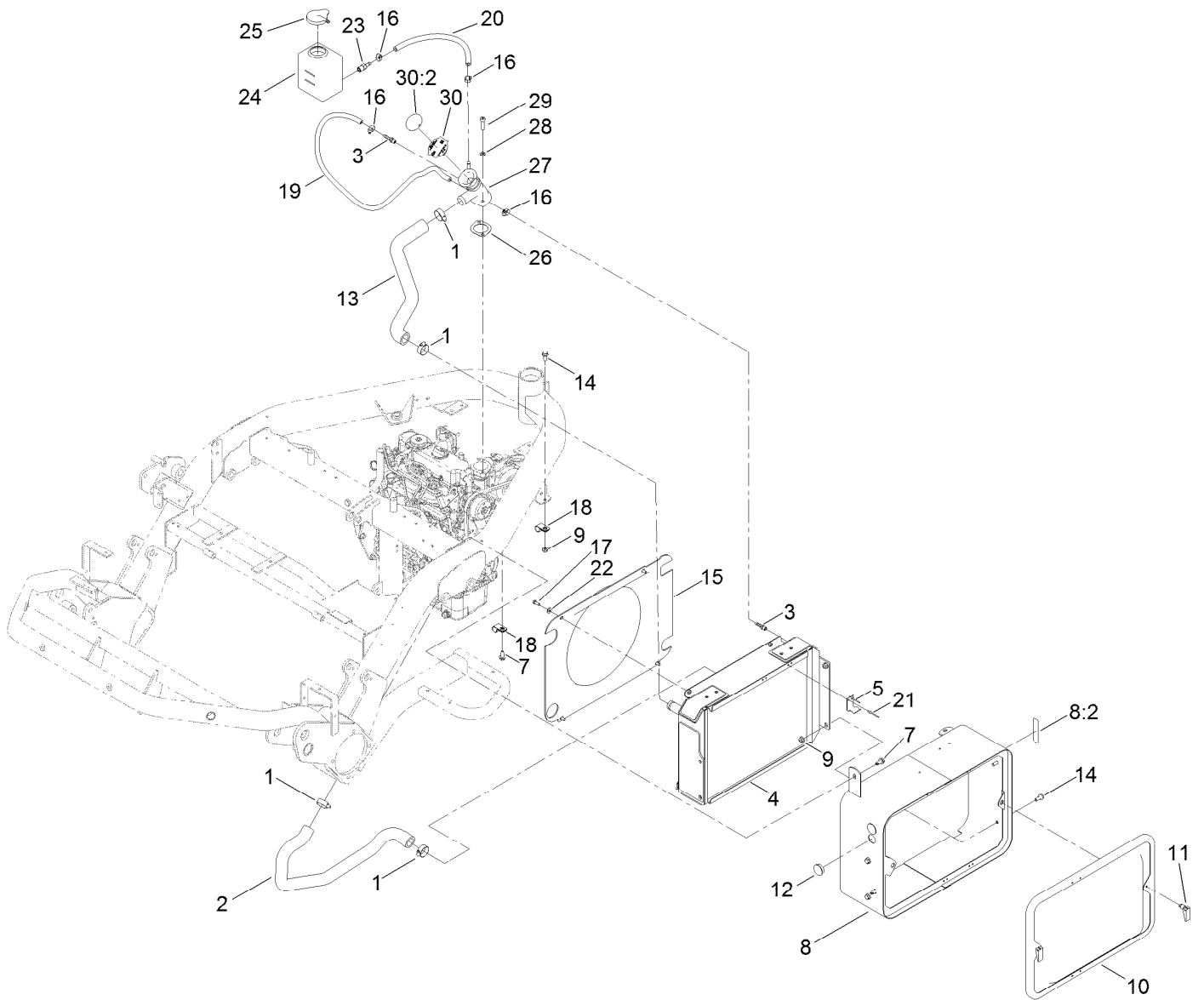
Intake and Exhaust Assembly

| <i>Ref.</i> | <i>Part Number</i> | <i>Qty.</i> | <i>Description</i> | <i>Ref.</i> | <i>Part Number</i> | <i>Qty.</i> | <i>Description</i> |
|-------------|--------------------|-------------|------------------------------------|-------------|--------------------|-------------|---------------------|
| 1 | 323-5 | 4 | Screw-HH | 13 | 136-8574 | 1 | Bracket-Air Cleaner |
| 2 | 140-5219-03 | 1 | Bracket-Support, Muffler [black | 13:2 | 115-8155 | 1 | Decal-Warning |
| 3 | 32128-19 | 4 | Nut-HF Lock, Large Flg | 14 | 119-4041 | 2 | Nut-HF |
| 4 | 100-4852 | 4 | Washer-Hardened | 15 | 95-5805 | 1 | Air Cleaner ASM |
| 5 | 120-1950 | 1 | Muffler | 16 | 136-7859 | 1 | Rain Cap Kit |
| 6 | 114-8013 | 1 | Pipe-Exhaust | 16:1 | 1-643009 | 1 | Clamp-Hose |
| 7 | 104-6478 | 4 | Spring-Extension | 18 | 2412-92 | 2 | Clamp-Hose |
| 8 | 99-8343 | 1 | Gasket-Muffler | 19 | 119-3536 | 1 | Hose-Air Cleaner |
| 9 | 114-8009 | 1 | Plate-Exhaust | 20 | 120-5317-03 | 1 | Tube-Brace |
| 10 | 33014-00 | 4 | Nut-Hex | 21 | 3234-42 | 1 | Screw-HHF |
| 11 | 145-4559-03 | 1 | Shield-Muffler | 22 | 119-4042 | 1 | Nut-HF, NI |
| 12 | 322-16 | 2 | Screw-HH | 23 | 33114-020 | 2 | Screw-HH |



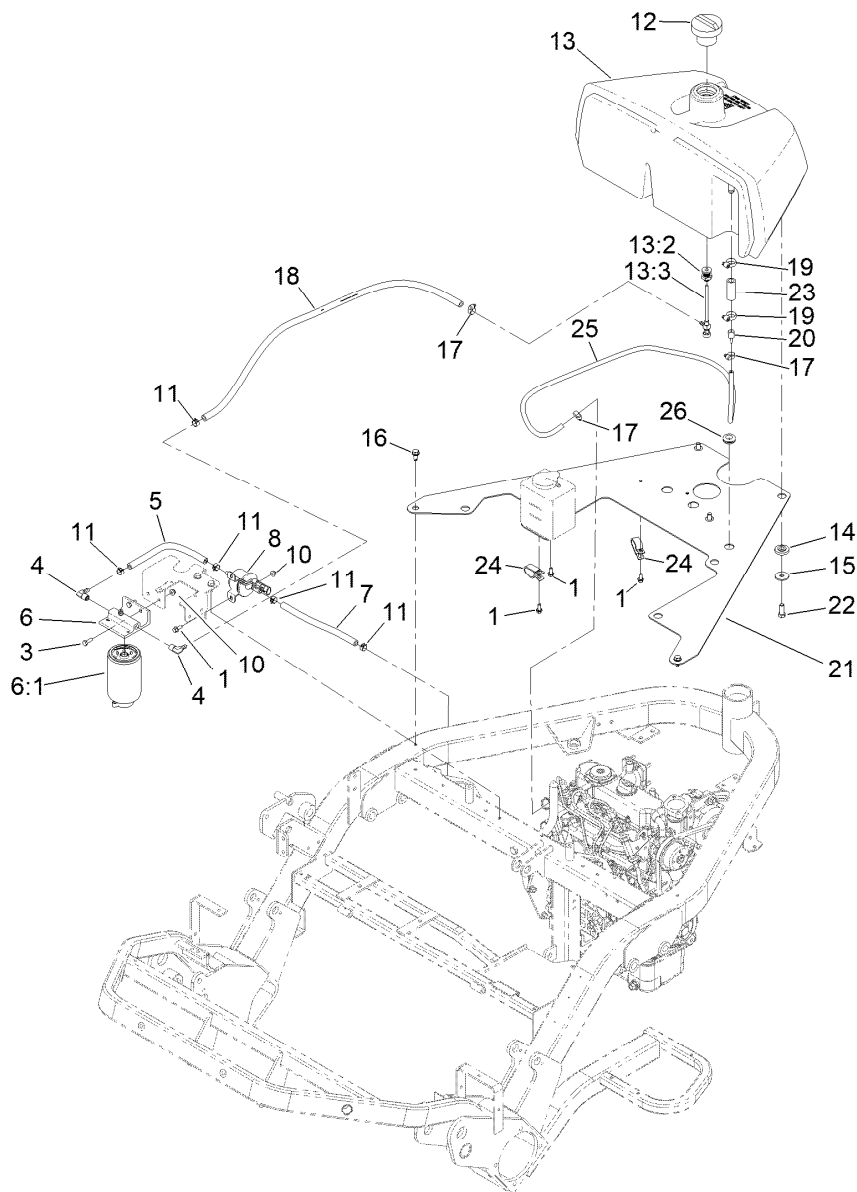
Air Cleaner Assembly No. 95-5805

| <i>Ref.</i> | <i>Part Number</i> | <i>Qty.</i> | <i>Description</i> |
|-------------|--------------------|-------------|----------------------|
| 2 | 108-3811 | 1 | Filter-Air V-Twin HD |
| 3 | 94-3652 | 1 | Cover ASM |
| 3:1 | 1-643283 | 2 | Latch-Cleaner, Air |
| 4 | 87-9400 | 1 | Valve-Vacuator |
| 5 | 285-17 | 1 | Plug-Pipe |



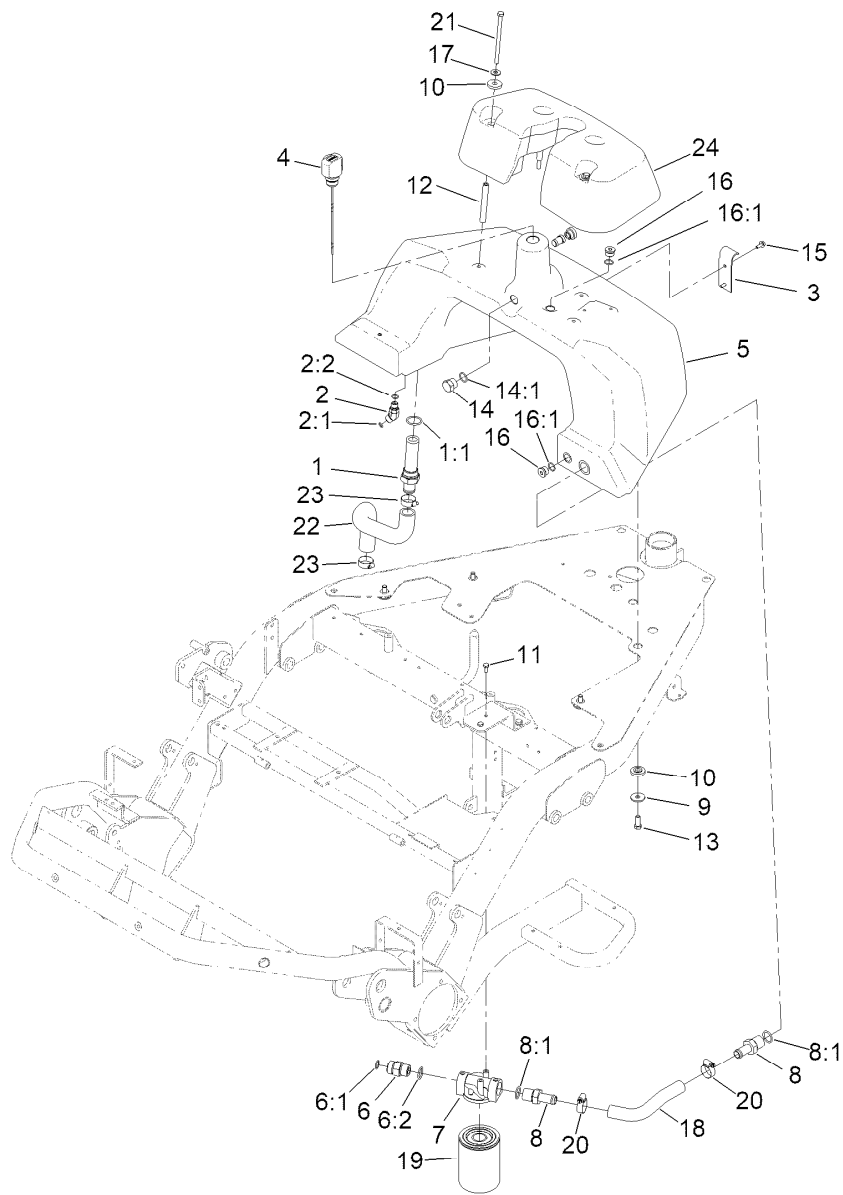
Radiator Assembly

| Ref. | Part Number | Qty. | Description | Ref. | Part Number | Qty. | Description |
|------|-------------|------|-----------------------|------|-------------|------|----------------------|
| 1 | 2412-34 | 4 | Clamp-Hose | 17 | 33113-016 | 4 | Screw-HH |
| 2 | 119-3554 | 1 | Hose-Radiator, Lower | 18 | 2412-41 | 2 | Clamp-R |
| 3 | 304-73 | 2 | Fitting-Straight | 19 | 109-0286 | 1 | Hose-Fuel |
| 4 | 145-4583 | 1 | Radiator | 20 | 110-4101 | 1 | Hose-Fuel |
| 5 | 104-7736 | 1 | Bracket-Cooler, Upper | 21 | 130-6520 | 2 | Rivet-Pop |
| 7 | 32104-32 | 3 | Screw-HWH | 22 | 3256-22 | 4 | Washer-Flat |
| 8 | 136-8575 | 1 | Radiator-Support | 23 | 353-783 | 1 | Fitting-STR |
| 8:2 | 93-6681 | 1 | Decal-Warning, Fan | 24 | 120-5260 | 1 | Tank-Overflow |
| 9 | 119-4041 | 5 | Nut-HF | 25 | 1-643164 | 1 | Cap-Tank, Overflow |
| 10 | 100-3172-03 | 1 | Screen ASM | 26 | 105-3748 | 1 | Gasket-Thermostat |
| 11 | 74-5950 | 2 | Latch-Swell | 27 | 119-3532 | 1 | Blade (Discontinued) |
| 12 | 94-4528 | 2 | Plug | 28 | 3253-4 | 2 | Washer-Lock |
| 13 | 119-3556 | 1 | Hose-Radiator, Upper | 29 | 94-3559 | 2 | Screw-HSH |
| 14 | 3234-47 | 5 | Screw-HHF | 30 | 136-8582 | 1 | Cap-Radiator |
| 15 | 119-3571 | 1 | Shroud-Fan | 30:2 | 117-3276 | 1 | Decal-Danger |
| 16 | 2412-108 | 4 | Clamp-Worm | | | | |



Fuel System Assembly

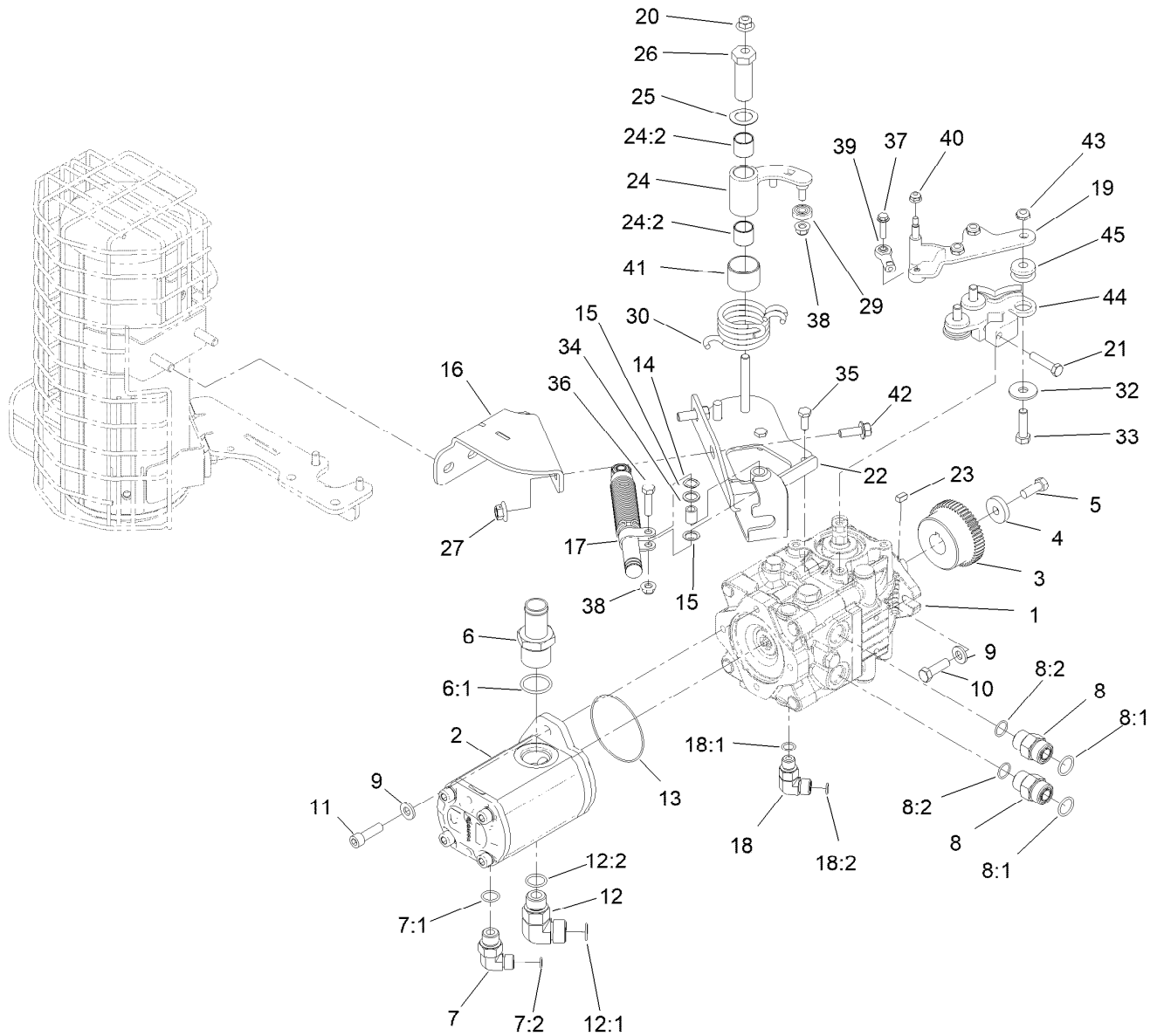
| <i>Ref.</i> | <i>Part Number</i> | <i>Qty.</i> | <i>Description</i> | <i>Ref.</i> | <i>Part Number</i> | <i>Qty.</i> | <i>Description</i> |
|-------------|--------------------|-------------|----------------------------|-------------|--------------------|-------------|--------------------|
| 1 | 3234-33 | 5 | Screw-HHF | 14 | 240-11 | 3 | Bushing-Flange |
| 3 | 321-4 | 2 | Screw-HH | 15 | 63-8410 | 3 | Washer |
| 4 | 353-781 | 2 | Fitting-HYD, 90 | 16 | 32104-32 | 3 | Screw-HWH |
| 5 | 145-4571 | 1 | Hose-Fuel | 17 | 2412-108 | 3 | Clamp-Worm |
| 6 | 110-9044 | 1 | Separator-Filter | 18 | 145-4572 | 1 | Hose-Fuel |
| 6:1 | 110-9049 | 1 | Filter-Spin On, Fuel/Water | 19 | 2412-36 | 2 | Clamp-Hose |
| 7 | 145-4570 | 1 | Hose-Fuel | 20 | 112-0212 | 1 | Fitting-Fuel |
| 8 | 145-3154 | 1 | Pump-Fuel, Electric | 21 | 119-3531-01 | 1 | Plate |
| 10 | 104-7201 | 4 | Nut-HF, NI | 22 | 323-6 | 3 | Screw-HH |
| 11 | 92-2379 | 5 | Clamp-Hose | 23 | 106-1128 | 1 | Hose-Fuel |
| 12 | 115-5305 | 1 | Cap-Fuel | 24 | 92-5753 | 2 | Clamp-Hose |
| 13 | 132-3801 | 1 | Tank ASM | 25 | 117-6395 | 1 | Hose-Fuel |
| 13:2 | 114-4677 | 1 | Bulkhead ASM | 26 | 237-124 | 1 | Grommet |
| 13:3 | 114-4679 | 1 | Fitting-Shut Off, Fuel | | | | |



Hydraulic Tank and Filter Assembly

| Ref. | Part Number | Qty. | Description | Ref. | Part Number | Qty. | Description |
|------|-------------|------|-----------------------|------|-------------|------|------------------|
| 1 | 112-0211 | 1 | Strainer Fitting ASM | 10 | 240-11 | 8 | Bushing-Flange |
| 1:1 | 237-146 | 1 | O-Ring | 11 | 321-3 | 2 | Screw-HH |
| 2 | 340-87 | 1 | Fitting-Elbow, 45 DEG | 12 | 163-8795 | 4 | Spacer-Tube |
| 2:1 | 237-22 | 1 | O-Ring | 13 | 323-6 | 4 | Screw-HH |
| 2:2 | 237-42 | 1 | O-Ring | 14 | 353-551 | 1 | Plug-HH |
| 3 | 93-2438 | 1 | Clamp-Tank, Fuel | 14:1 | 237-80 | 1 | O-Ring |
| 4 | 136-8559 | 1 | Dipstick-Breather | 15 | 33103-016 | 2 | Screw-HHF |
| 5 | 163-8794 | 1 | Tank ASM HYD | 16 | 353-988 | 2 | Plug-Hex |
| 5:2 | 136-8531 | 1 | Grommet ● | 16:1 | 237-79 | 1 | O-Ring |
| 5:3 | 136-8534 | 1 | Plug ● | 17 | 3256-71 | 4 | Washer-Flat |
| 6 | 340-9 | 1 | Fitting-STR | 18 | 94-9607 | 1 | Hose-Return |
| 6:1 | 237-58 | 1 | O-Ring | 19 | 107-9531 | 1 | Filter-Oil, HYD |
| 6:2 | 237-81 | 1 | O-Ring | 20 | 2412-129 | 2 | Clamp-Hose |
| 7 | 92-5821 | 1 | Head-Filter | 21 | 322-29 | 4 | Screw-HH |
| 8 | 354-73 | 2 | Fitting | 22 | 140-5225 | 1 | Hose-Inlet, Pump |
| 8:1 | 237-81 | 1 | O-Ring | 23 | 2412-34 | 2 | Clamp-Hose |
| 9 | 63-8410 | 4 | Washer | 24 | 136-8518 | 1 | Cover-Tank |

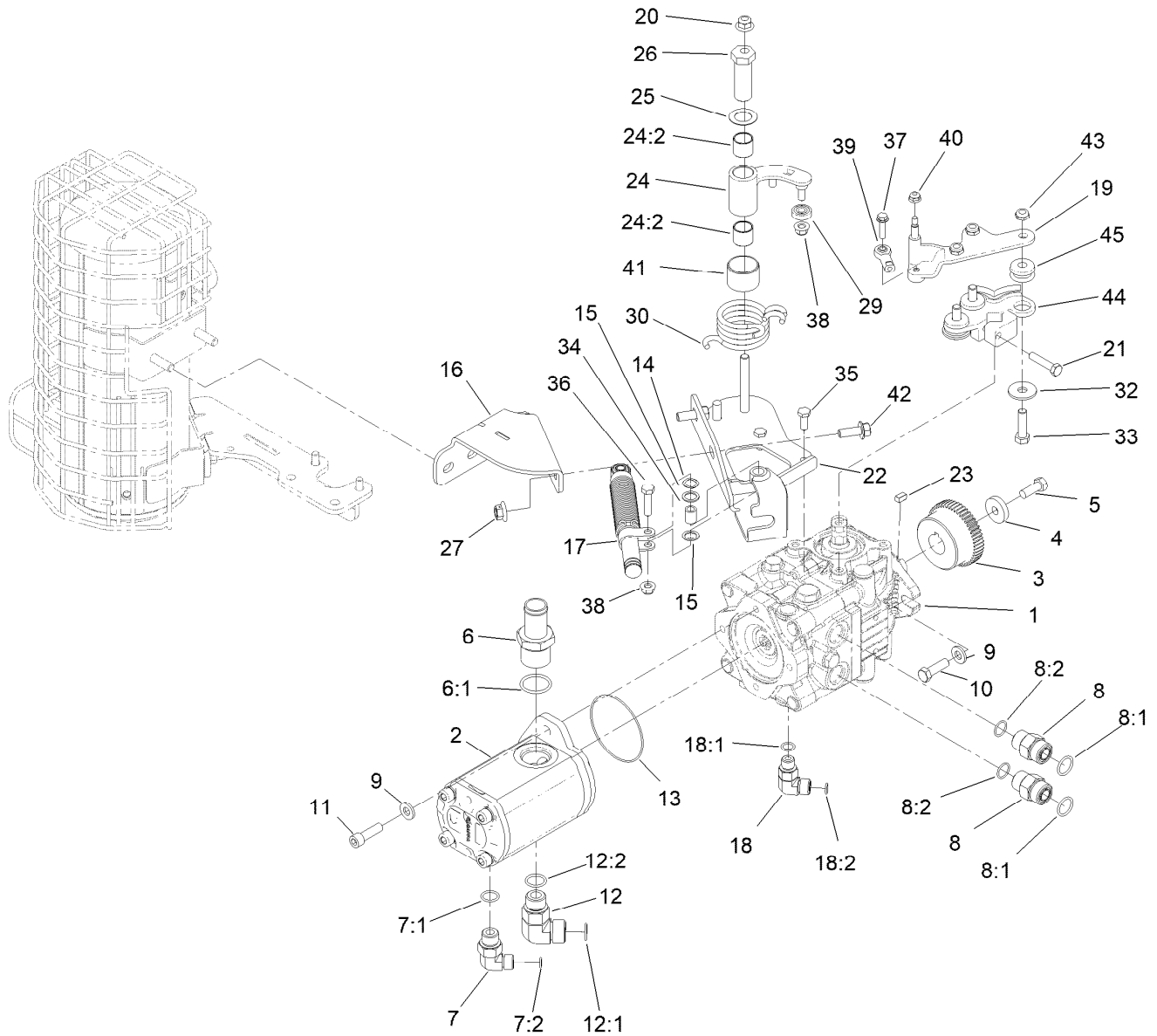
● Not illustrated



Hydrostat and Gear Pump Drive Assembly

| Ref. | Part Number | Qty. | Description |
|------|-------------|------|-----------------------|
| 1 | 139-6474 | 1 | Pump-Hydro, Danfoss |
| 2 | 114-9956 | 1 | HYD Gear Pump ASM |
| 3 | 119-4418 | 1 | Coupling |
| 4 | 138-8594 | 1 | Spacer |
| 5 | 3211-4 | 1 | Screw-HH |
| 6 | 354-78 | 1 | Fitting-STR |
| 6:1 | 237-146 | 1 | O-Ring |
| 7 | 340-18 | 1 | Fitting-HYD, 90 DEG |
| 7:1 | 237-79 | 1 | O-Ring |
| 7:2 | 237-22 | 1 | O-Ring |
| 8 | 340-7 | 2 | Fitting-Straight |
| 8:1 | 237-65 | 1 | O-Ring |
| 8:2 | 237-80 | 1 | O-Ring |
| 9 | 100-4852 | 4 | Washer-Hardened |
| 10 | 323-7 | 2 | Screw-HH |
| 11 | AU862-10030 | 2 | Screw-HSH |
| 12 | 340-17 | 1 | Fitting-Elbow, 90 DEG |
| 12:1 | 237-65 | 1 | O-Ring |
| 12:2 | 237-80 | 1 | O-Ring |
| 13 | 237-161 | 1 | O-Ring |
| 14 | 108473 | 1 | Washer-Wave |

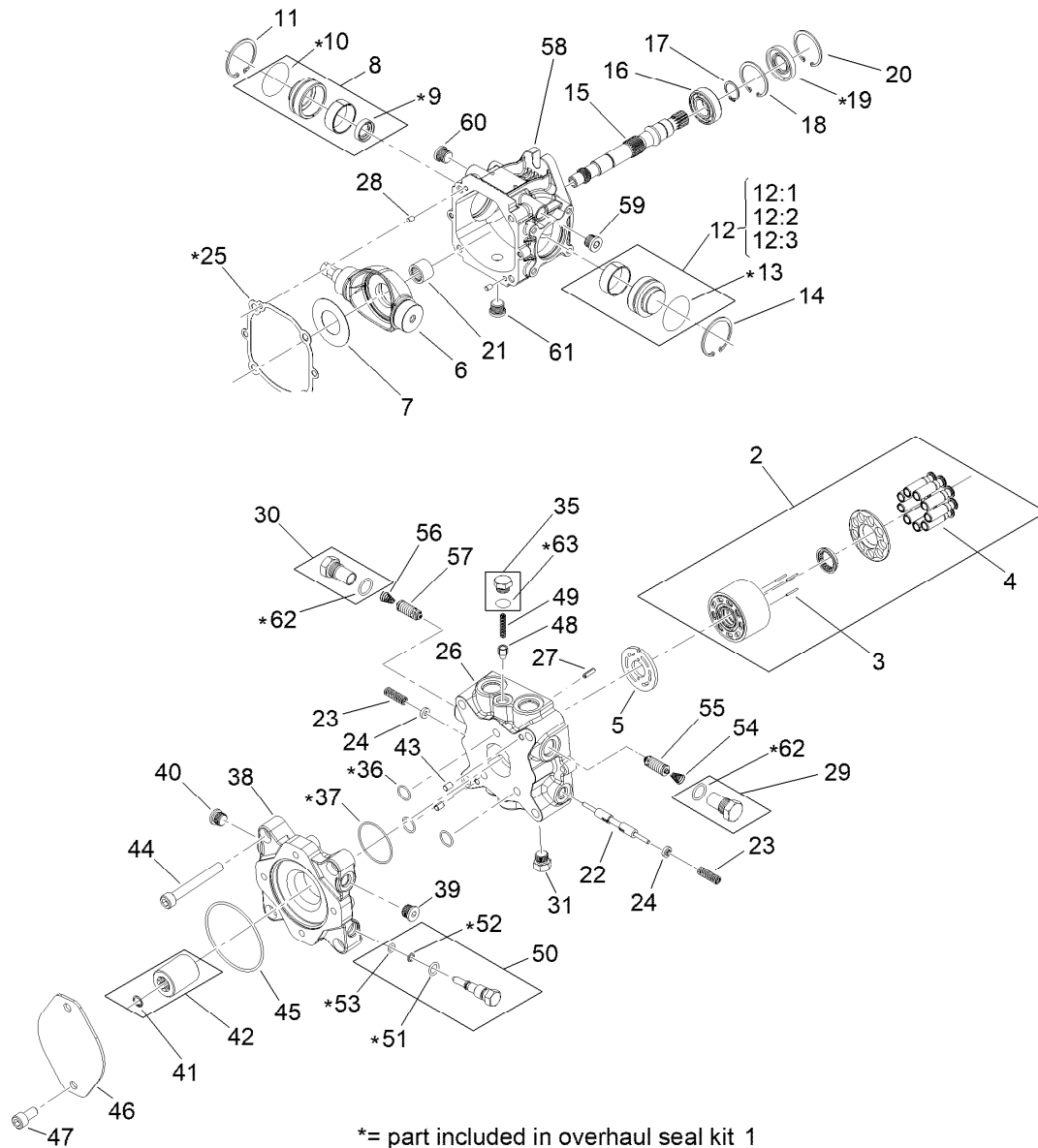
| Ref. | Part Number | Qty. | Description |
|------|-------------|------|------------------------|
| 15 | 94-8196 | 2 | Washer-Nylon |
| 16 | 140-5216-03 | 1 | Bracket-Mount |
| 17 | 140-6248 | 1 | Damper |
| 18 | 340-77 | 1 | Fitting-Elbow, 90 DEG |
| 18:1 | 237-22 | 1 | O-Ring |
| 18:2 | 237-42 | 1 | O-Ring |
| 19 | 140-5221 | 1 | Lever-Hydro |
| 20 | 119-4042 | 1 | Nut-HF, NI |
| 21 | 120-2779 | 1 | Screw-HH |
| 22 | 140-5211-03 | 1 | Bracket-Cable, Hydro |
| 23 | 145-4589 | 1 | Key-Squ |
| 24 | 145-0071 | 1 | Neutral Arm ASM |
| 24:2 | 94-9609 | 2 | Bushing-Straight |
| 25 | 119-8199 | 1 | Washer-Nylon |
| 26 | 117-9046 | 1 | Stud-Eccentric |
| 27 | 32128-19 | 2 | Nut-HF Lock, Large Flg |
| 29 | 251-259 | 1 | Bearing-Ball |
| 30 | 117-9047 | 1 | Spring-Torsion |
| 32 | 93-8806 | 3 | Washer-Hardened |
| 33 | 323-29 | 3 | Screw-HH |
| 34 | 94-8197 | 1 | Tube-Pivot |



Hydrostat and Gear Pump Drive Assembly (continued)

| Ref. | Part Number | Qty. | Description |
|------|-------------|------|--------------------|
| 35 | 33114-020 | 2 | Screw-HH |
| 36 | 322-6 | 1 | Screw-HH |
| 37 | 119-1066 | 1 | Screw-HHF, Patch |
| 38 | 119-4041 | 2 | Nut-HF |
| 39 | 2411-41 | 1 | Rod End-Ball Joint |
| 40 | 104-7201 | 1 | Nut-HF, NI |

| Ref. | Part Number | Qty. | Description |
|------|-------------|------|--------------|
| 41 | 136-8418 | 1 | Bushing |
| 42 | 139-2597 | 2 | Screw-HHF |
| 43 | 3296-59 | 3 | Nut-Lock, NI |
| 44 | 140-5231 | 1 | Cam-Neutral |
| 45 | 63-9750 | 3 | Mount |

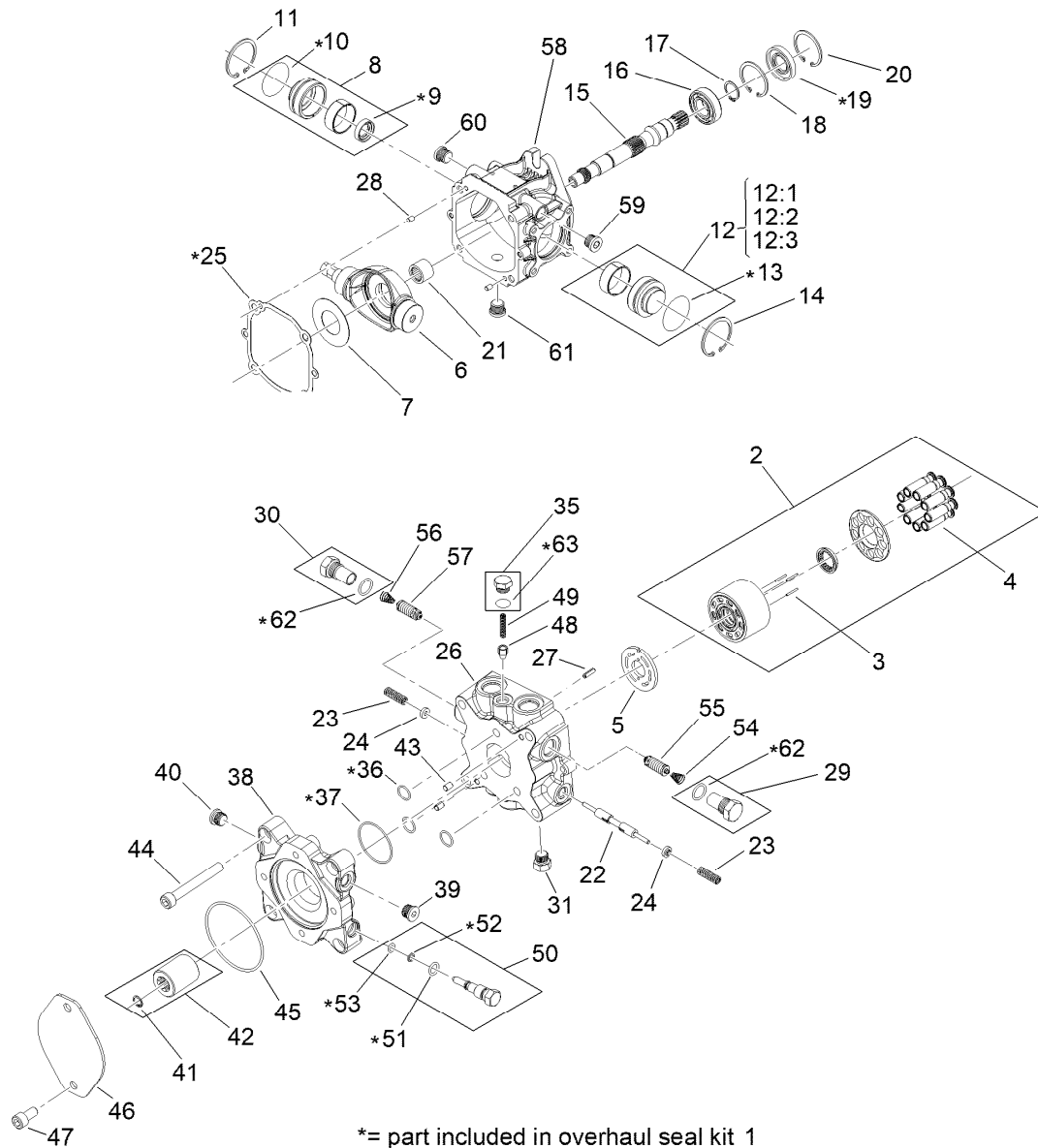


*= part included in overhaul seal kit 1

Hydraulic Pump Assembly No. 139-6474

| Ref. | Part Number | Qty. | Description | Ref. | Part Number | Qty. | Description |
|------|-------------|------|--------------------------------|------|-------------|------|-----------------|
| 1 | 136-1010 | 1 | Seal Overhaul Kit | 15 | 145-2683 | 1 | Shaft-Pump |
| 2 | 145-2670 | 1 | Kit-Cylinder Block | 16 | 136-1017 | 1 | Bearing-Ball |
| 3 | 145-2671 | 3 | Pin-Slipper Holddown | 17 | 136-1018 | 1 | Ring-Retaining |
| 4 | 145-2672 | 9 | Piston Assy | 18 | 136-1019 | 1 | Ring-Retaining |
| 5 | 145-2673 | 1 | Valveplate-Pump | 19 | 136-1021 | 1 | Seal-Lip, Shaft |
| 6 | 145-2674 | 1 | Swashplate | 20 | 136-1019 | 1 | Ring-Retaining |
| 7 | 145-2675 | 1 | Plate-Thrust | 21 | 145-2689 | 1 | Needle Bearing |
| 8 | 145-2676 | 1 | Journal Carrier (A) Assy | 22 | 145-2690 | 1 | Spool-Flushing |
| 9 | 145-2677 | 1 | Seal Lip | 23 | 145-2691 | 2 | Spring Flushing |
| 10 | 145-2678 | 1 | O-Ring | 24 | 145-2692 | 2 | Guide Spring |
| 11 | 145-2679 | 1 | Ring-Retaining | 25 | 136-1023 | 1 | Gasket-Cap, End |
| 12 | 136-1015 | 1 | Journal Bearing Carrier ASM | 26 | 145-2694 | 1 | Endcap |
| 12:1 | | 1 | O-Ring ● | 27 | 145-2695 | 1 | Pin-Slittd |
| 12:2 | | 1 | Body ● | 28 | 145-2696 | 2 | Pin-Straight |
| 12:3 | | 1 | Race-Inner ● | 29 | 145-2697 | 1 | Plug Assy |
| 13 | 145-2681 | 1 | O-Ring | 30 | 145-2698 | 1 | Plug Assy |
| 14 | 145-2682 | 1 | Ring-Retaining | 31 | 136-1026 | 1 | Plug ASM |
| | | | | 35 | 145-2703 | 1 | Plug Assy |

● Not serviced separately

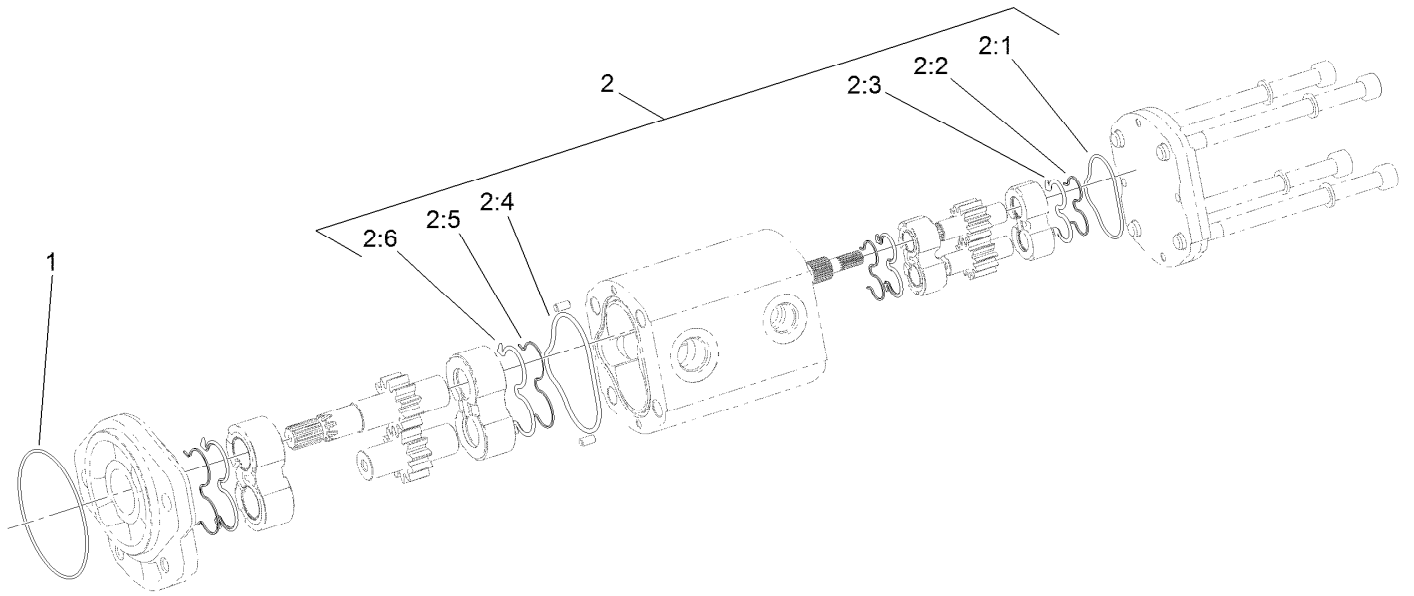


*= part included in overhaul seal kit 1

Hydraulic Pump Assembly No. 139-6474 (continued)

| Ref. | Part Number | Qty. | Description | Ref. | Part Number | Qty. | Description |
|------|-------------|------|-------------------|------|-------------|------|---------------------|
| 36 | 136-1032 | 3 | O-Ring | 50 | 145-2718 | 1 | Valve Assy-Bypass |
| 37 | 145-2705 | 1 | O-Ring | 51 | 145-2719 | 1 | O-Ring |
| 38 | 145-2706 | 1 | Adapter | 52 | 145-2720 | 1 | Ring-Back Up |
| 39 | 145-2707 | 1 | Plug Assy | 53 | 145-2721 | 1 | O-Ring |
| 40 | 145-2708 | 1 | Plug Assy | 54 | 145-2722 | 1 | Spring-Compression |
| 41 | 145-2709 | 1 | Ring-Retaining | 55 | 145-2723 | 1 | Valve Assy-Scr |
| 42 | 145-2710 | 1 | Coupling Assy | 56 | 145-2724 | 1 | Spring-Compression |
| 43 | 145-2711 | 2 | Pin-Straight | 57 | 145-2725 | 1 | Valve Assy-Scr |
| 44 | 145-2712 | 4 | Screw-Soc | 58 | 145-2726 | 1 | Housing A-Pad Ddc20 |
| 45 | 131-7607 | 1 | O-Ring | 59 | 145-2727 | 1 | Plug Assy-Soc |
| 46 | 145-2714 | 1 | Flange Cover | 60 | 145-2728 | 1 | Plug Assy-Soc |
| 47 | 145-2715 | 2 | Screw-Soc | 61 | 145-2729 | 1 | Plug Assy-Soc |
| 48 | 145-2716 | 1 | Cone Relief Valve | 62 | 145-2730 | 2 | O-Ring |
| 49 | 145-2717 | 1 | Spring | 63 | 145-2731 | 1 | O-Ring |

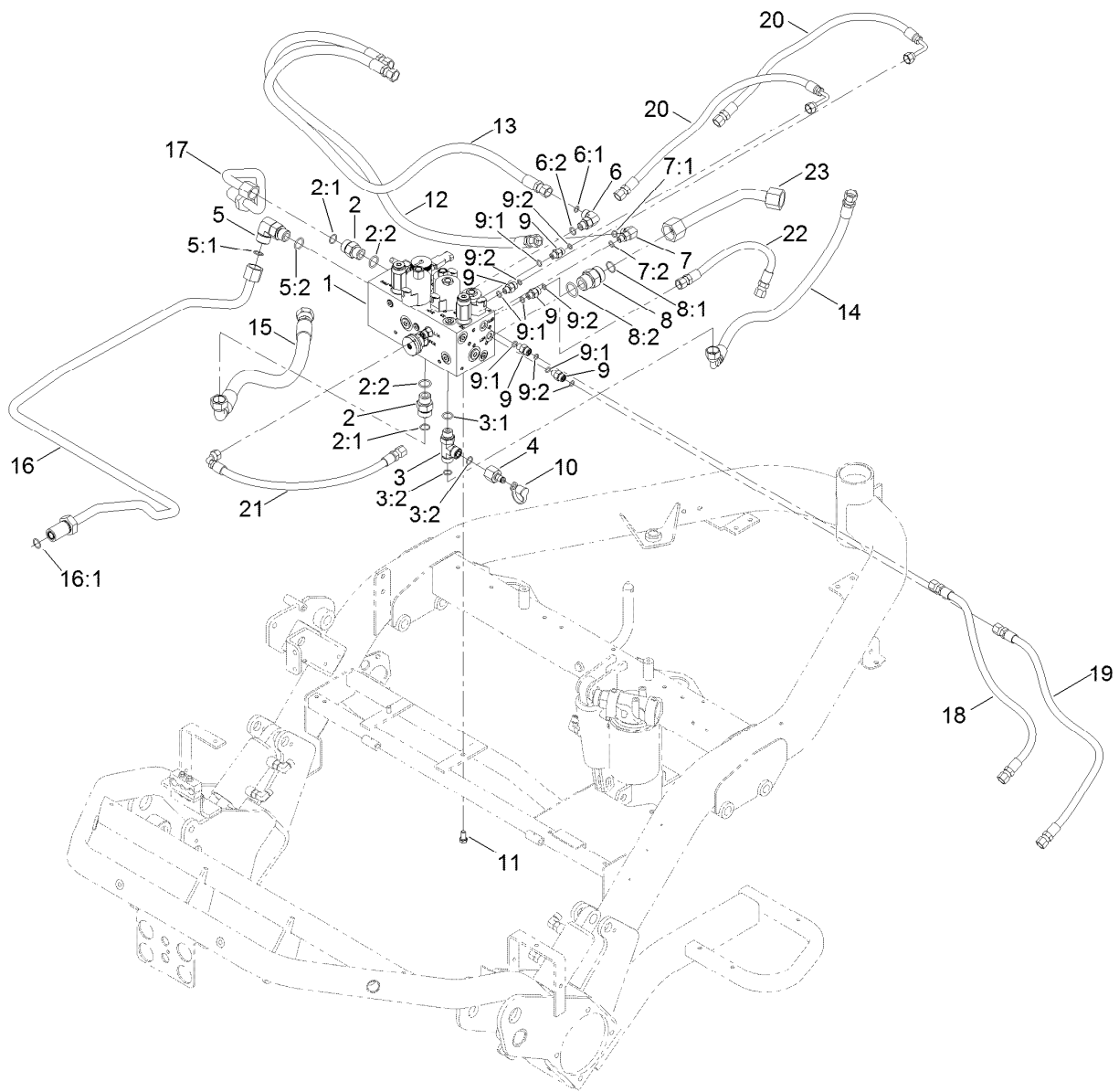
● Not serviced separately



Hydraulic Gear Pump Assembly No. 114-9956

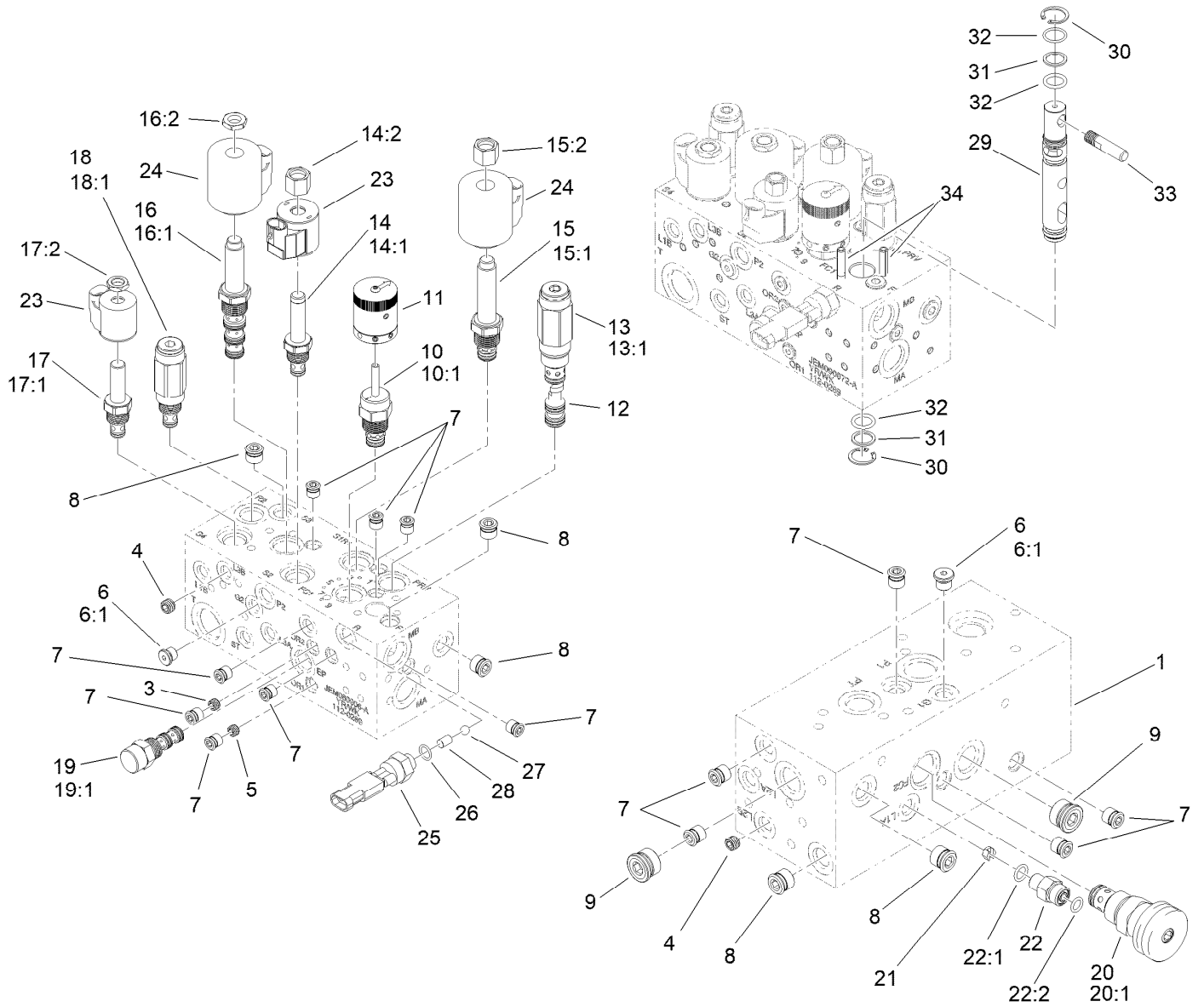
| <i>Ref.</i> | <i>Part Number</i> | <i>Qty.</i> | <i>Description</i> |
|-------------|--------------------|-------------|------------------------|
| 1 | 353-949 | 1 | O-Ring |
| 2 | 119-7134 | 1 | Kit-Seal |
| 2:1 | | 1 | O-Ring ● |
| 2:2 | | 2 | Seal-Extrusion, Anti ● |
| 2:3 | | 2 | Seal-Backup ● |
| 2:4 | | 1 | O-Ring ● |
| 2:5 | | 2 | Seal-Extrusion, Anti ● |
| 2:6 | | 2 | Seal-Backup ● |

● Not serviced separately



Manifold Assembly

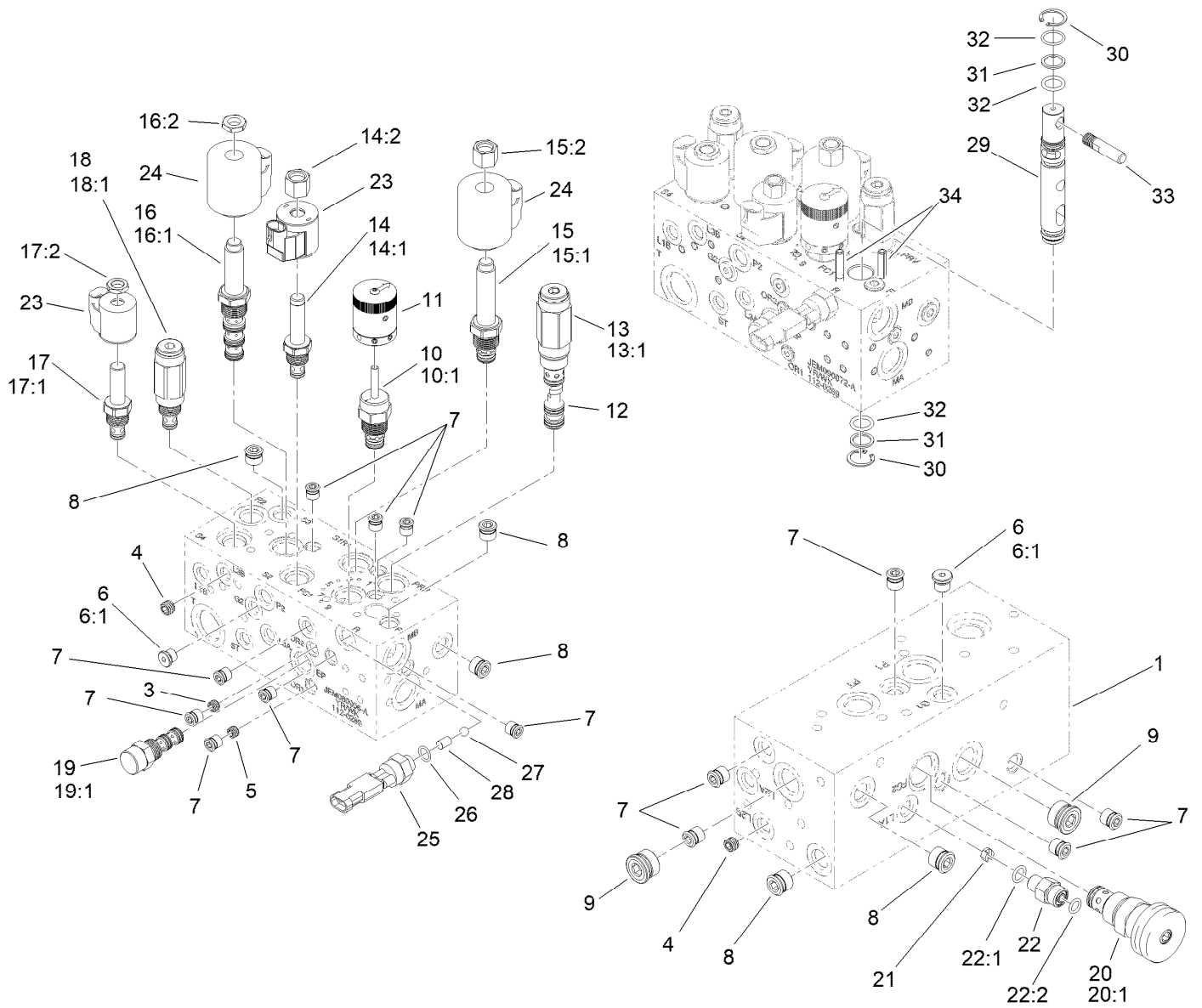
| Ref. | Part Number | Qty. | Description | Ref. | Part Number | Qty. | Description |
|------|-------------|------|-----------------------|------|-------------|------|------------------|
| 1 | 147-3077 | 1 | Block-Manifold | 8:2 | 237-81 | 1 | O-Ring |
| 2 | 340-7 | 2 | Fitting-Straight | 9 | 340-92 | 5 | Fitting-Straight |
| 2:1 | 237-65 | 1 | O-Ring | 9:1 | 237-78 | 1 | O-Ring |
| 2:2 | 237-80 | 1 | O-Ring | 9:2 | 237-21 | 1 | O-Ring |
| 3 | 340-109 | 1 | Fitting-Tee | 10 | 354-79 | 1 | Cap-Dust |
| 3:1 | 237-79 | 1 | O-Ring | 11 | 33114-016 | 2 | Screw-HH |
| 3:2 | 237-30 | 2 | O-Ring | 12 | 95-8842 | 1 | Hose-HYD |
| 4 | 100-5616 | 1 | Fitting | 13 | 105-9790 | 1 | Hose ASM |
| 5 | 340-17 | 1 | Fitting-Elbow, 90 DEG | 14 | 140-5226 | 1 | Hose ASM |
| 5:1 | 237-65 | 1 | O-Ring | 15 | 131-6206 | 1 | Hose ASM |
| 5:2 | 237-80 | 1 | O-Ring | 16 | 94-1320 | 1 | Tube-HYD |
| 6 | 340-77 | 1 | Fitting-Elbow, 90 DEG | 16:1 | 237-65 | 1 | O-Ring |
| 6:1 | 237-22 | 1 | O-Ring | 17 | 94-1317 | 1 | Tube-HYD |
| 6:2 | 237-42 | 1 | O-Ring | 18 | 131-2004 | 1 | Hose ASM |
| 7 | 340-97 | 1 | Fitting-Elbow, 90 DEG | 19 | 131-2005 | 1 | Hose ASM |
| 7:1 | 237-22 | 1 | O-Ring | 20 | 131-2006 | 2 | Hose ASM |
| 7:2 | 237-78 | 1 | O-Ring | 21 | 112-9185 | 1 | Hose ASM |
| 8 | 340-9 | 1 | Fitting-STR | 22 | 106-7981 | 1 | Hose-HYD |
| 8:1 | 237-58 | 1 | O-Ring | 23 | 94-4518 | 1 | Tube ASM |



Hydraulic Manifold Assembly No. 147-3077

| Ref. | Part Number | Qty. | Description | Ref. | Part Number | Qty. | Description |
|------|-------------|------|------------------------------|------|-------------|------|-----------------------------------|
| 1 | | 1 | Body-Manifold ● | 15 | 110-8768 | 1 | Valve-Relief, Solenoid (3000 PSI) |
| 3 | 112-9202 | 1 | Orifice-Flow, Control (.060) | 15:1 | 110-6316 | 1 | Seal Kit |
| 4 | 110-8887 | 2 | Plug-Orifice (0.055) | 15:2 | 130-8180 | 1 | Nut-Coil (9/16-24 Unef-2B) |
| 5 | 112-9203 | 1 | Orifice-Control, Flow (.013) | 16 | 110-8906 | 1 | Valve-Solenoid |
| 6 | 353-990 | 2 | Plug ASM | 16:1 | 110-8908 | 1 | Spool Valve Seal Kit |
| 6:1 | 237-78 | 1 | O-Ring | 16:2 | 110-2634 | 1 | Nut-Coil |
| 7 | 106-1025 | 13 | Plug-HYD | 17 | 112-9206 | 1 | Solenoid Valve ASM |
| 8 | 106-1026 | 5 | Plug-HYD | 17:1 | 105-9156 | 1 | Seal Kit |
| 9 | 106-1027 | 2 | Plug | 17:2 | 110-2634 | 1 | Nut-Coil |
| 10 | 147-3068 | 1 | Valve-Control, Manual Flow | 18 | 133-8873 | 1 | Valve-Relief |
| 10:1 | 132-6231 | 1 | Seal Kit | 18:1 | 105-9156 | 1 | Seal Kit |
| 11 | 110-8767 | 1 | Rotary Handle ASM | 19 | 110-8988 | 1 | Element-Logic |
| 12 | 119-3506 | 1 | Piston-Pilot | 19:1 | 110-8773 | 1 | Seal Kit |
| 13 | 112-9205 | 1 | Valve-Relief | 20 | 119-4136 | 1 | Control-Flow |
| 13:1 | 105-9159 | 1 | Seal Kit | 20:1 | 110-2633 | 1 | Seal Kit |
| 14 | 107-7517 | 1 | Valve-Solenoid | 21 | 110-8903 | 1 | Orifice-Control, Flow (0.055) |
| 14:1 | 105-9156 | 1 | Seal Kit | 22 | 340-92 | 1 | Fitting-Straight |
| 14:2 | 107-7812 | 1 | Nut-Solenoid | | | | |

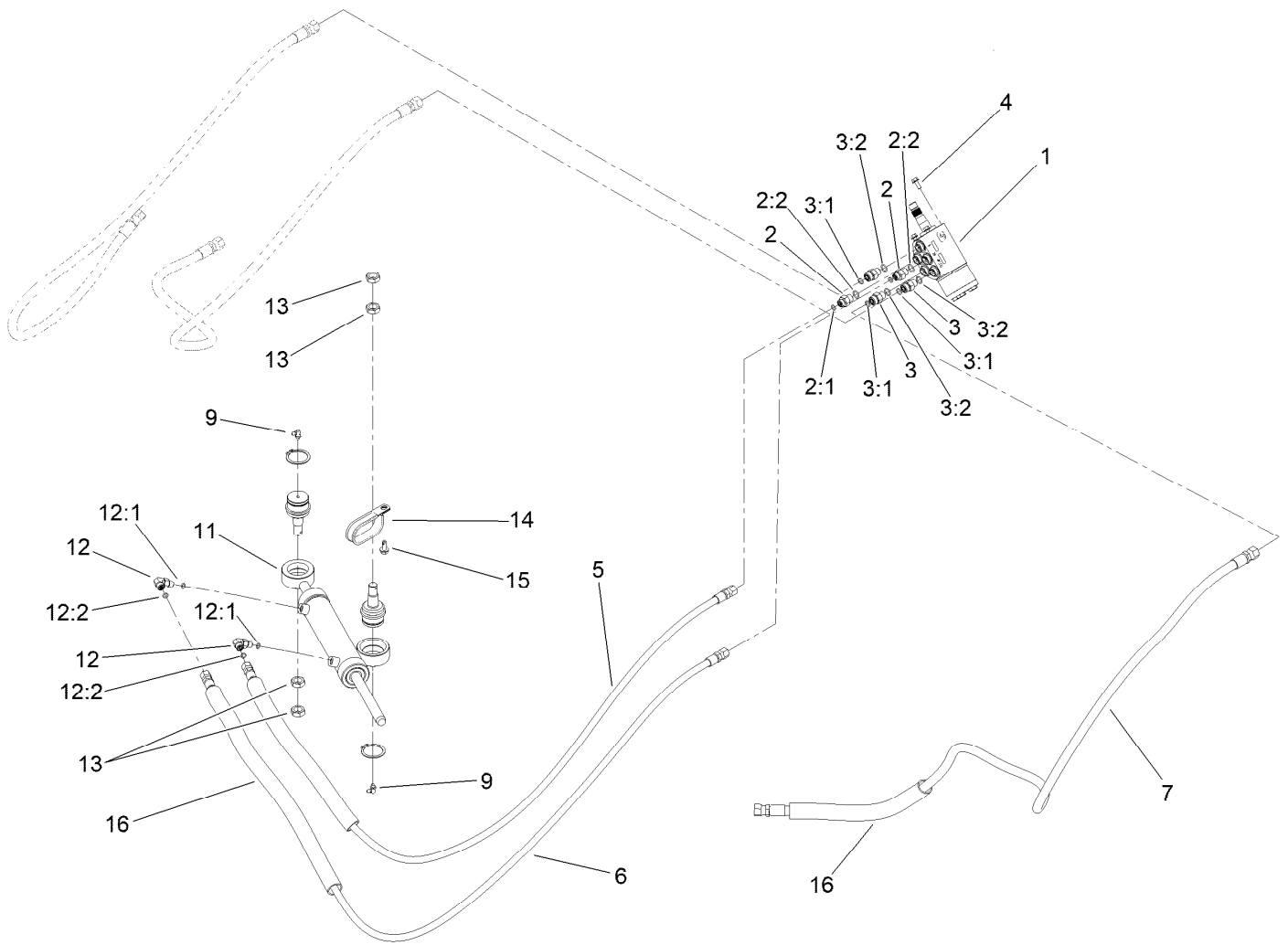
● Not serviced separately



Hydraulic Manifold Assembly No. 147-3077 (continued)

| Ref. | Part Number | Qty. | Description | Ref. | Part Number | Qty. | Description |
|------|-------------|------|-------------|------|-------------|------|----------------|
| 22:1 | 237-78 | 1 | O-Ring | 28 | 112-6533 | 1 | Pin-Dowel |
| 22:2 | 237-21 | 1 | O-Ring | 29 | 112-6536 | 1 | Spool |
| 23 | 105-9333 | 2 | Coil-12Vdc | 30 | 112-6532 | 2 | Ring-Retaining |
| 24 | 110-2630 | 2 | Coil-12Vdc | 31 | 112-6534 | 2 | Ring-Back Up |
| 25 | 72-4320 | 1 | Switch-Ball | 32 | 117-4606 | 3 | O-Ring |
| 26 | 110-8757 | 1 | O-Ring | 33 | 110-8758 | 1 | Handle-Spool |
| 27 | 110-8762 | 1 | Ball-Chrome | 34 | 112-6531 | 2 | Pin-Spring |

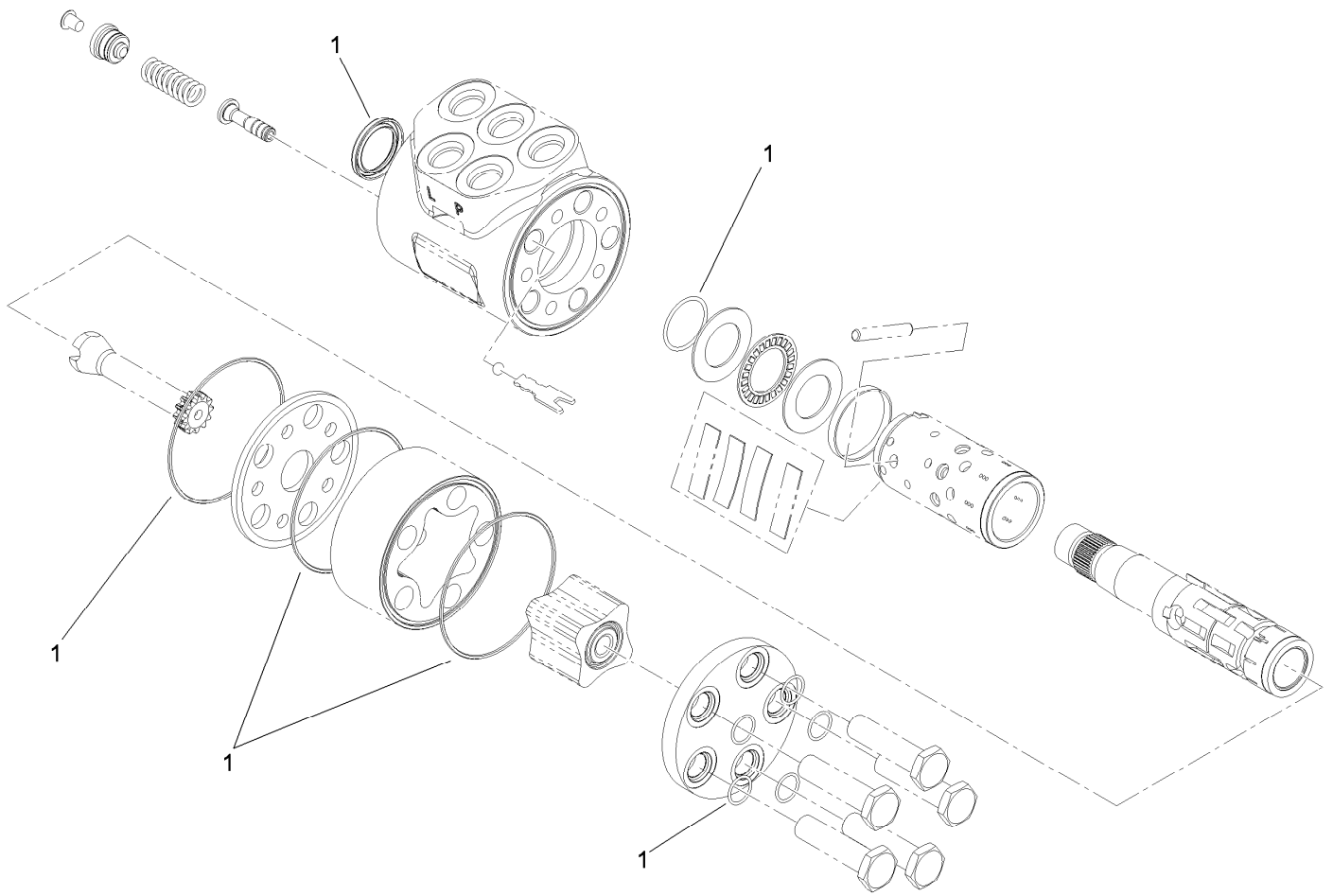
● Not serviced separately



Steering Valve Assembly

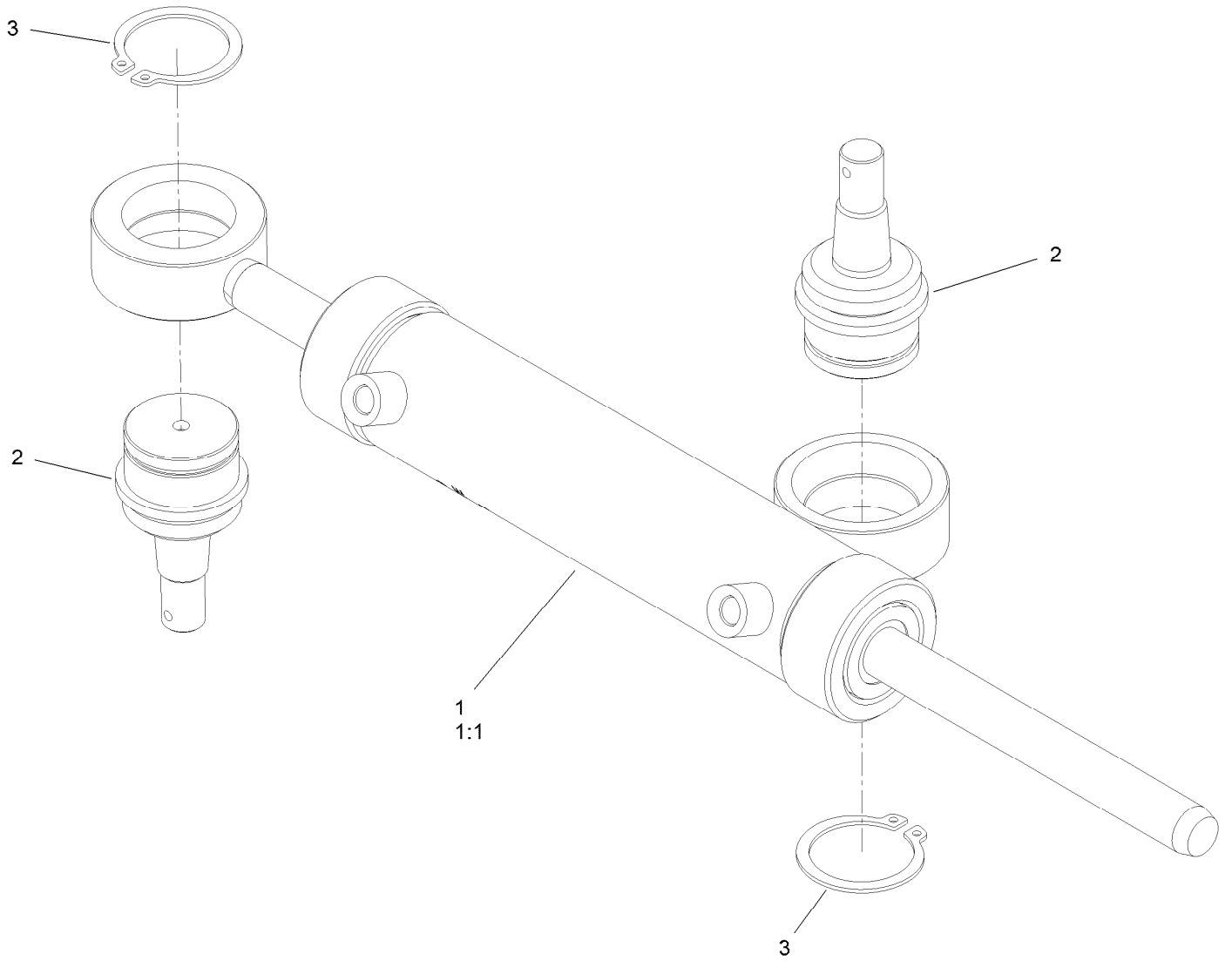
| Ref. | Part Number | Qty. | Description |
|------|-------------|------|--------------------|
| 1 | 114-4672 | 1 | Steering Valve ASM |
| 2 | 340-1 | 2 | Fitting-Straight |
| 2:1 | 237-21 | 1 | O-Ring |
| 2:2 | 237-42 | 1 | O-Ring |
| 3 | 340-2 | 3 | Fitting-Straight |
| 3:1 | 237-22 | 1 | O-Ring |
| 3:2 | 237-42 | 1 | O-Ring |
| 4 | 33103-016 | 4 | Screw-HHF |
| 5 | 93-2270 | 1 | HYD Hose ASM |
| 6 | 108-5675 | 1 | Hydraulic Hose ASM |

| Ref. | Part Number | Qty. | Description |
|------|-------------|------|-----------------------|
| 7 | 105-4339 | 1 | Hose-HYD |
| 9 | 302-60 | 2 | Fitting-Grease |
| 11 | 161-4698 | 1 | Steering Cylinder ASM |
| 12 | 340-132 | 2 | Fitting-Elbow, 90 DEG |
| 12:1 | 237-78 | 1 | O-Ring |
| 12:2 | 237-21 | 1 | O-Ring |
| 13 | 3220-6 | 4 | Nut-Jam |
| 14 | 127-0516 | 1 | Clamp-R, Double |
| 15 | 32104-32 | 1 | Screw-HWH |
| 16 | 133-9032 | 3 | Convoluted Hose Cover |



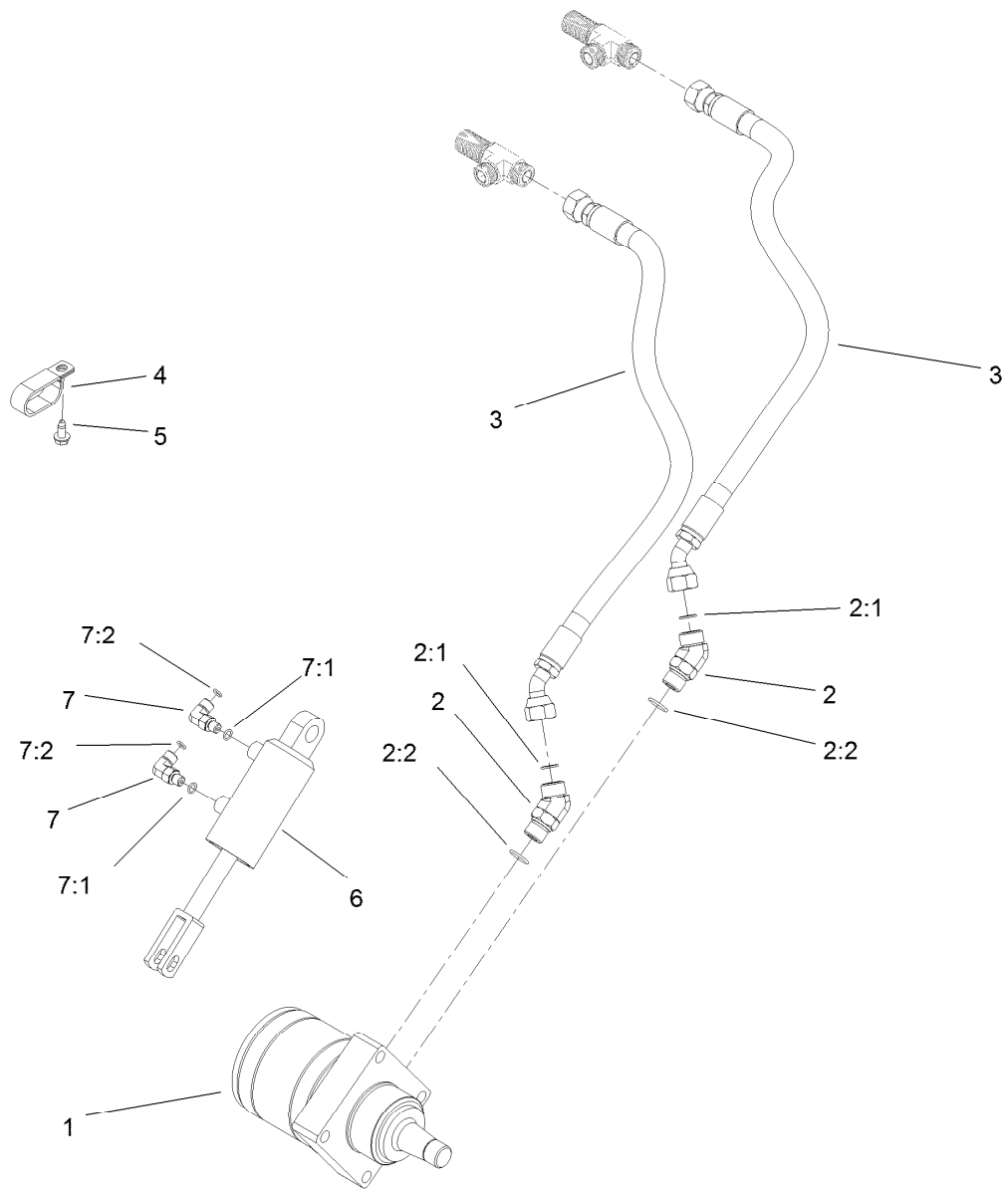
Steering Valve Assembly No. 114-4672

| <i>Ref.</i> | <i>Part Number</i> | <i>Qty.</i> | <i>Description</i> |
|-------------|--------------------|-------------|--------------------|
| 1 | 106-6716 | 1 | Seal Kit |



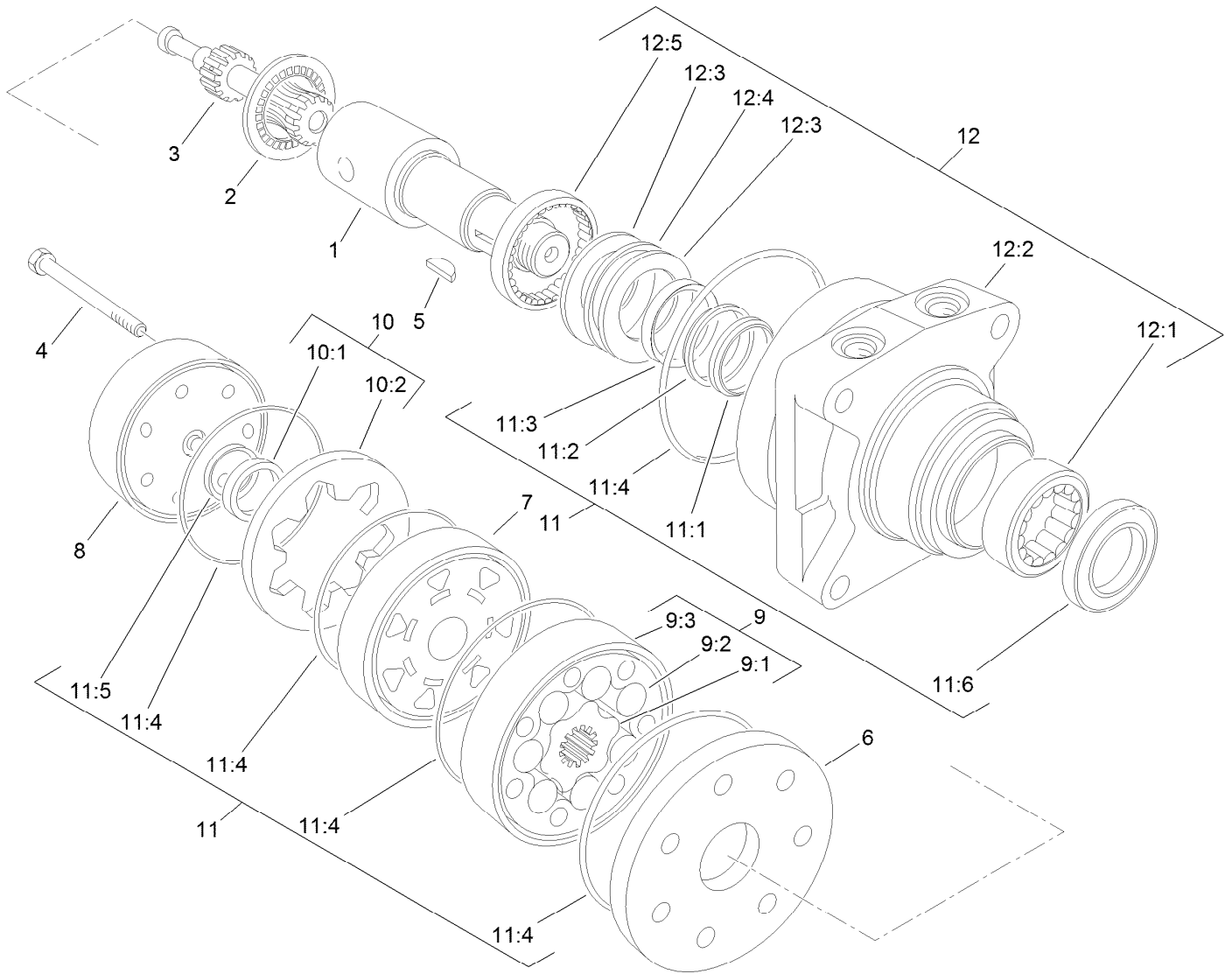
Steering Cylinder Assembly No. 161-4698

| <i>Ref.</i> | <i>Part Number</i> | <i>Qty.</i> | <i>Description</i> |
|-------------|--------------------|-------------|--------------------------|
| 1 | 132-3778 | 1 | Cylinder-Steering |
| 1:1 | 132-6964 | 1 | Seal Kit |
| 2 | 106-6774 | 2 | Joint-Ball |
| 3 | 32151-104 | 2 | Ring-Retaining, External |



Left Hand Wheel Motor and Lift Cylinder Assembly

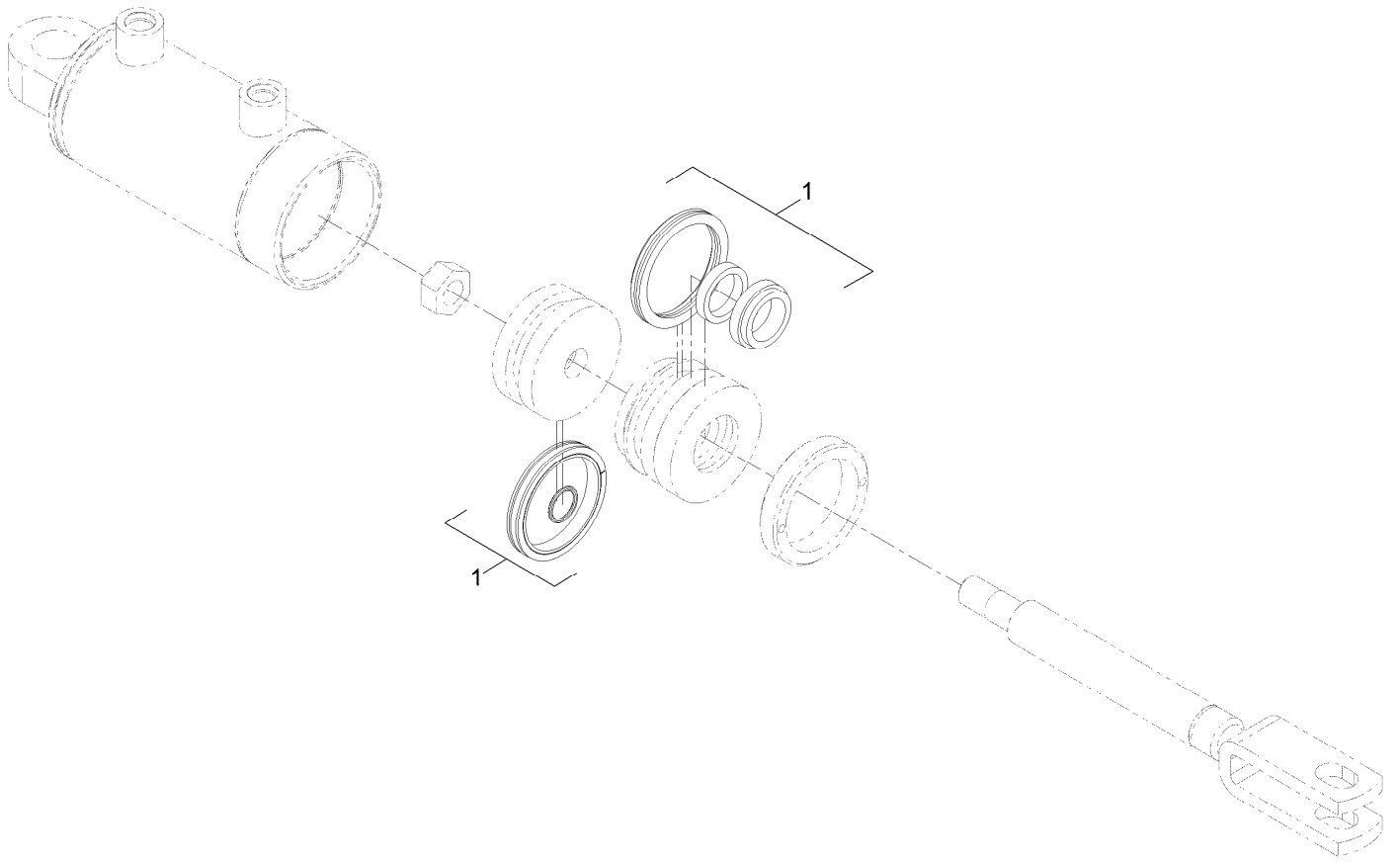
| Ref. | Part Number | Qty. | Description |
|------|-------------|------|-----------------------|
| 1 | 110-4015 | 1 | HYD Motor ASM (CCW) |
| 2 | 340-14 | 2 | Fitting-HYD, 45 DEG |
| 2:1 | 237-65 | 1 | O-Ring |
| 2:2 | 237-80 | 1 | O-Ring |
| 3 | 131-2003 | 2 | Hose ASM |
| 4 | 2412-137 | 1 | Clamp-R, Double |
| 5 | 32104-32 | 1 | Screw-HWH |
| 6 | 139-2651 | 1 | Cylinder, HYD |
| 7 | 340-132 | 2 | Fitting-Elbow, 90 DEG |
| 7:1 | 237-78 | 1 | O-Ring |
| 7:2 | 237-21 | 1 | O-Ring |



Hydraulic Motor Assembly (CW) No. 110-4016

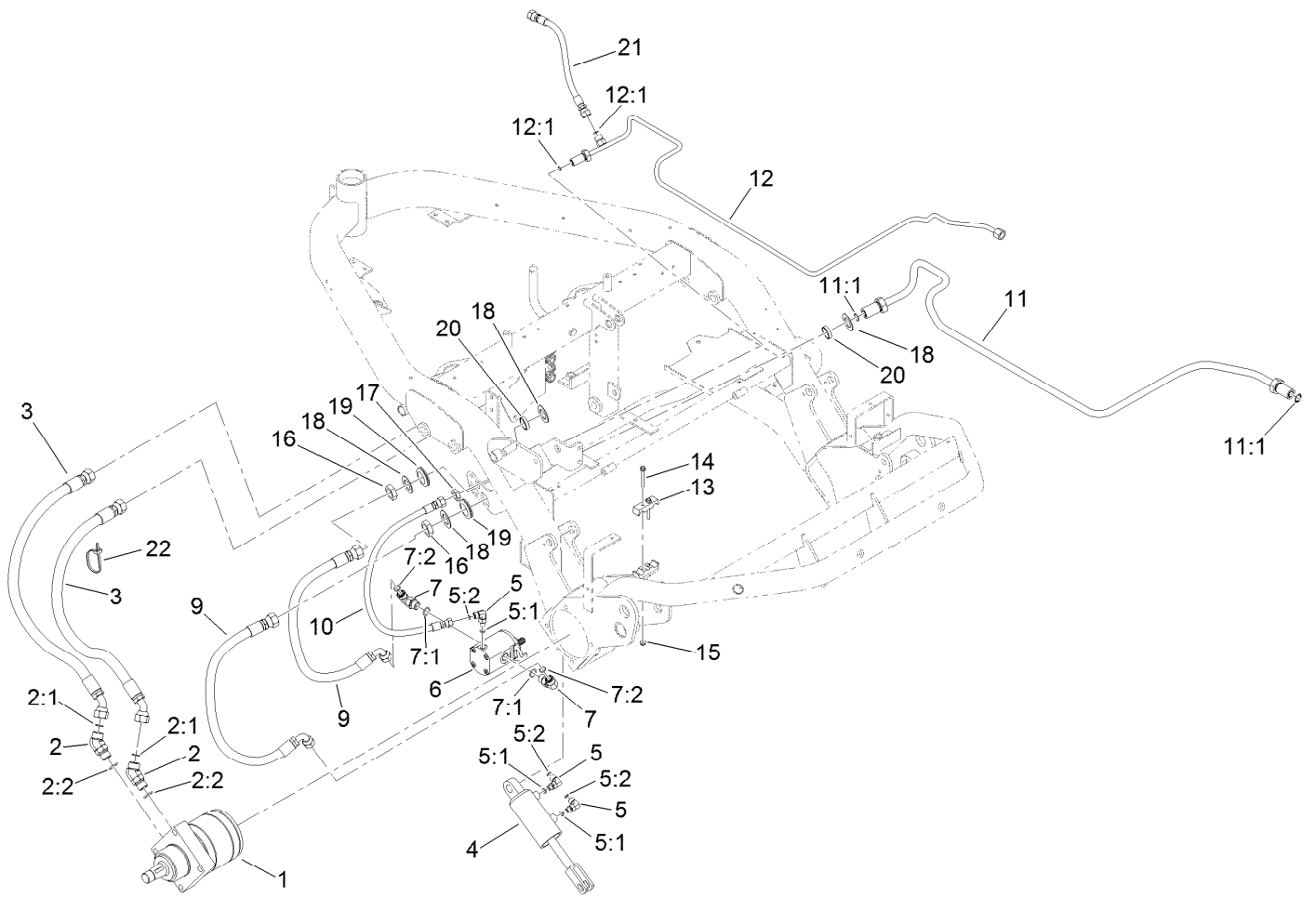
| Ref. | Part Number | Qty. | Description | Ref. | Part Number | Qty. | Description |
|------|-------------|------|----------------|------|-------------|------|-----------------------|
| 1 | 76-0860 | 1 | Shaft-Coupling | 10:2 | | 1 | Ring-Commutator ● |
| 2 | 76-0850 | 1 | Bearing-Thrust | 11 | 100-6131 | 1 | Seal Kit |
| 3 | 92-9761 | 1 | Link-Drive | 11:1 | | 1 | Ring-Back Up ● |
| 4 | 92-9762 | 7 | Screw-HH | 11:2 | | 1 | Washer-Back Up ● |
| 5 | 3257-42 | 1 | Key-Woodruff | 11:3 | | 1 | Seal-Shaft ● |
| 6 | 92-9754 | 1 | Plate-Wear | 11:4 | | 5 | Seal-Ring ● |
| 7 | 76-0840 | 1 | Manifold | 11:5 | | 1 | Seal-Commutator ● |
| 8 | 76-0940 | 1 | End Cover ASM | 11:6 | | 1 | Seal-Dirt And Water ● |
| 9 | 92-9763 | 1 | Rotor Set | 12 | 76-0810 | 1 | Housing ASM |
| 9:1 | | 1 | Rotor ● | 12:1 | | 1 | Bearing ● |
| 9:2 | | 1 | Vane ● | 12:2 | | 1 | Housing ● |
| 9:3 | | 1 | Stator ● | 12:3 | | 2 | Washer-Thrust ● |
| 10 | 76-0880 | 1 | Commutator ASM | 12:4 | | 1 | Bearing-Thrust ● |
| 10:1 | | 1 | Commutator ● | 12:5 | | 1 | Bearing ● |

● Not serviced separately



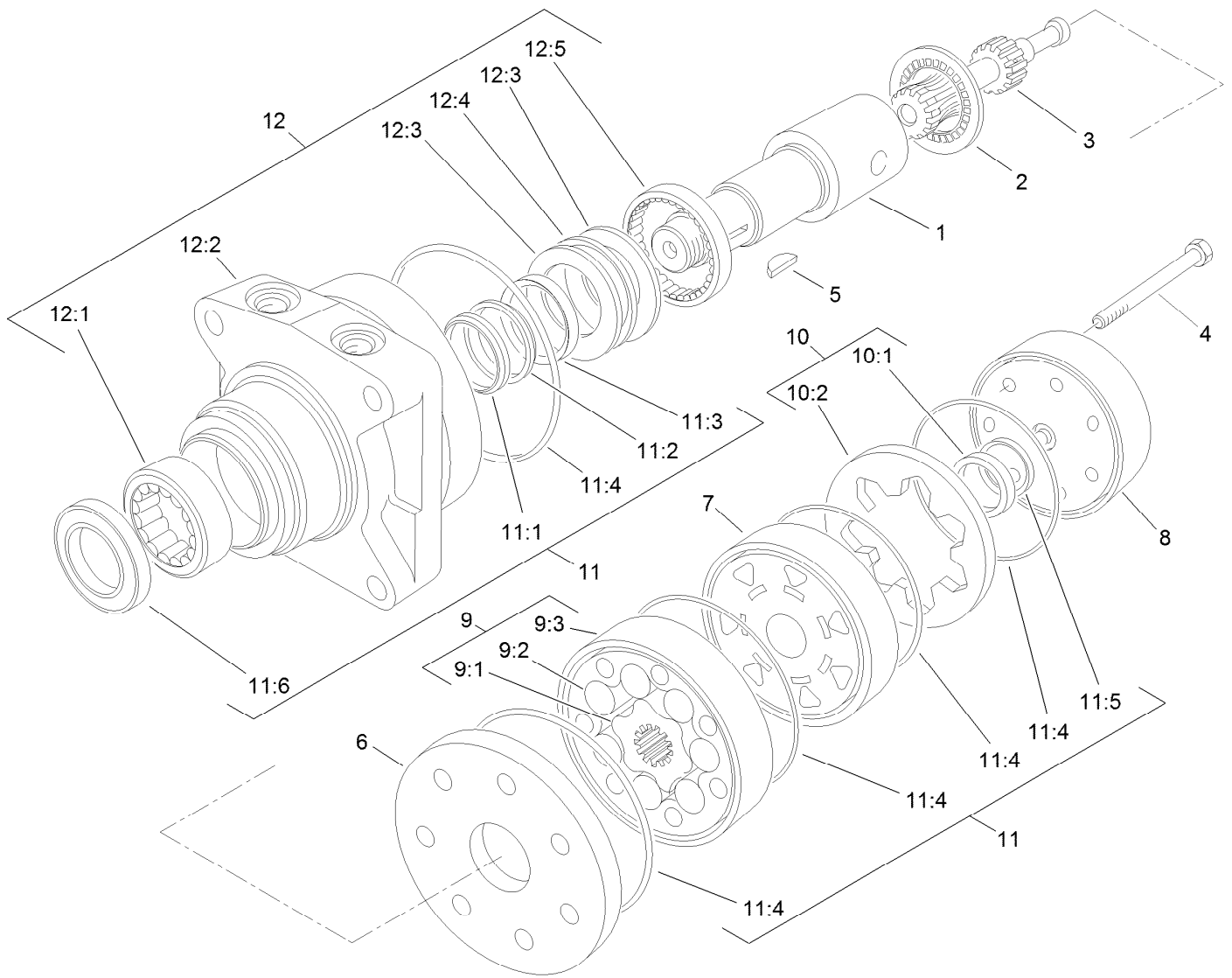
Hydraulic Cylinder Assembly No. 139-2651

| <i>Ref.</i> | <i>Part Number</i> | <i>Qty.</i> | <i>Description</i> |
|-------------|--------------------|-------------|--------------------|
| 1 | 139-2652 | 1 | Seal Kit |



Right Hand Wheel Motor and Lift Cylinder Assembly

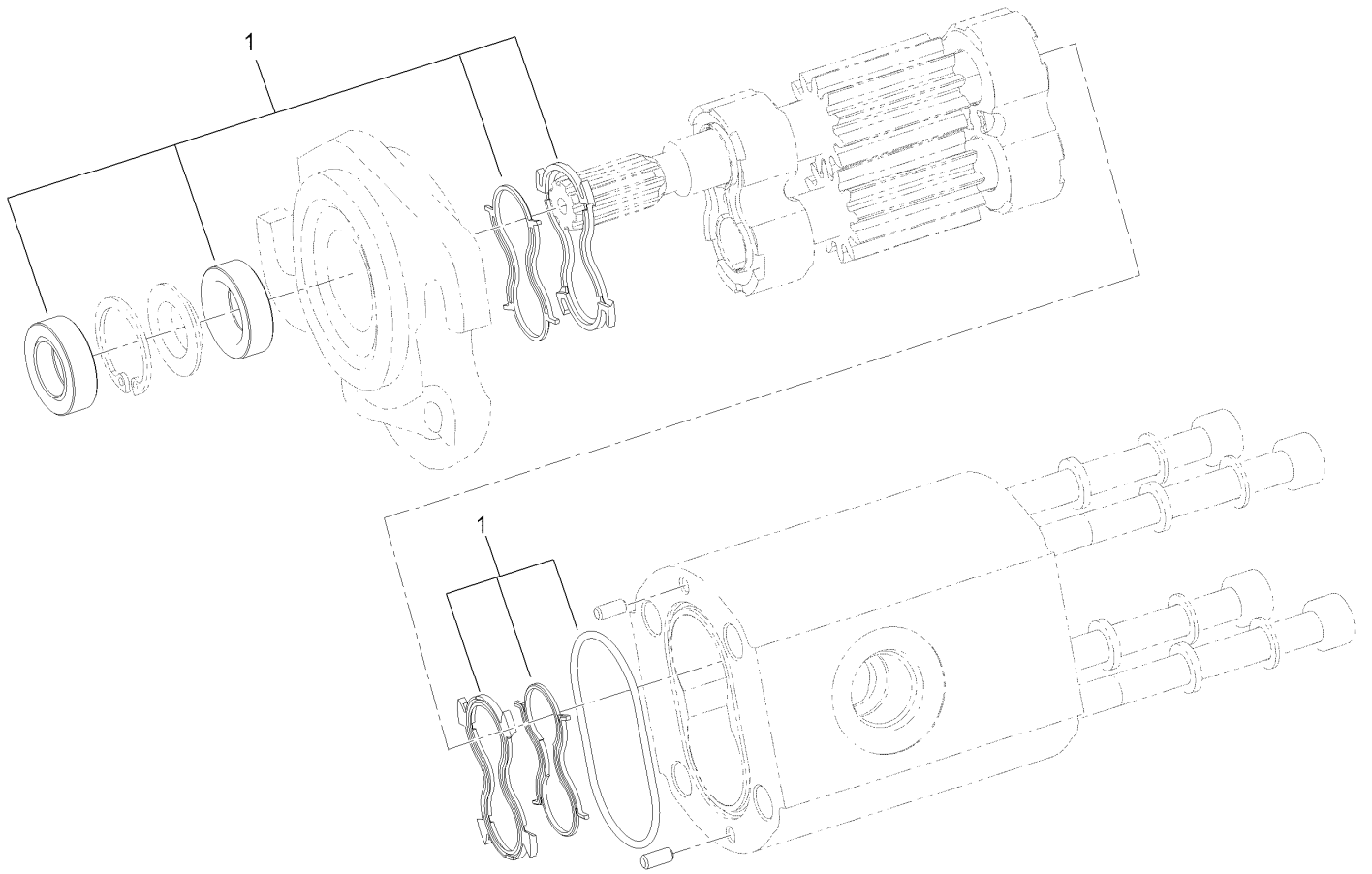
| Ref. | Part Number | Qty. | Description | Ref. | Part Number | Qty. | Description |
|------|-------------|------|-----------------------|------|-------------|------|--------------------|
| 1 | 110-4016 | 1 | HYD Motor ASM (CW) | 11 | 94-1318 | 1 | Tube-HYD |
| 2 | 340-14 | 2 | Fitting-HYD, 45 DEG | 11:1 | 237-65 | 2 | O-Ring |
| 2:1 | 237-65 | 1 | O-Ring | 12 | 94-1321 | 1 | Tube-HYD |
| 2:2 | 237-80 | 1 | O-Ring | 12:1 | 237-22 | 2 | O-Ring |
| 3 | 131-2002 | 2 | Hose ASM | 13 | 93-2509 | 2 | Clamp-Tube |
| 4 | 139-2651 | 1 | Cylinder, HYD | 14 | 321-44 | 2 | Screw-HHF |
| 5 | 340-132 | 3 | Fitting-Elbow, 90 DEG | 15 | 104-7201 | 2 | Nut-HF, NI |
| 5:1 | 237-78 | 1 | O-Ring | 16 | 340-74 | 2 | Nut-Lock, Bulkhead |
| 5:2 | 237-21 | 1 | O-Ring | 17 | 340-70 | 1 | Nut-Lock |
| 6 | 120-2072 | 1 | HYD Motor ASM | 18 | 69-9010 | 4 | Washer |
| 7 | 340-98 | 2 | Fitting-Elbow, 90 DEG | 19 | 240-3 | 2 | Grommet-Rubber |
| 7:1 | 237-79 | 1 | O-Ring | 20 | 125-1984 | 2 | Spacer |
| 7:2 | 237-30 | 1 | O-Ring | 21 | 110-4008 | 1 | HYD Hose ASM |
| 9 | 139-6528 | 2 | Hose ASM | 22 | 3290-378 | 1 | Tie-Cable |
| 10 | 105-5405 | 1 | Hose-HYD | | | | |



Hydraulic Motor Assembly (CCW) No. 110-4015

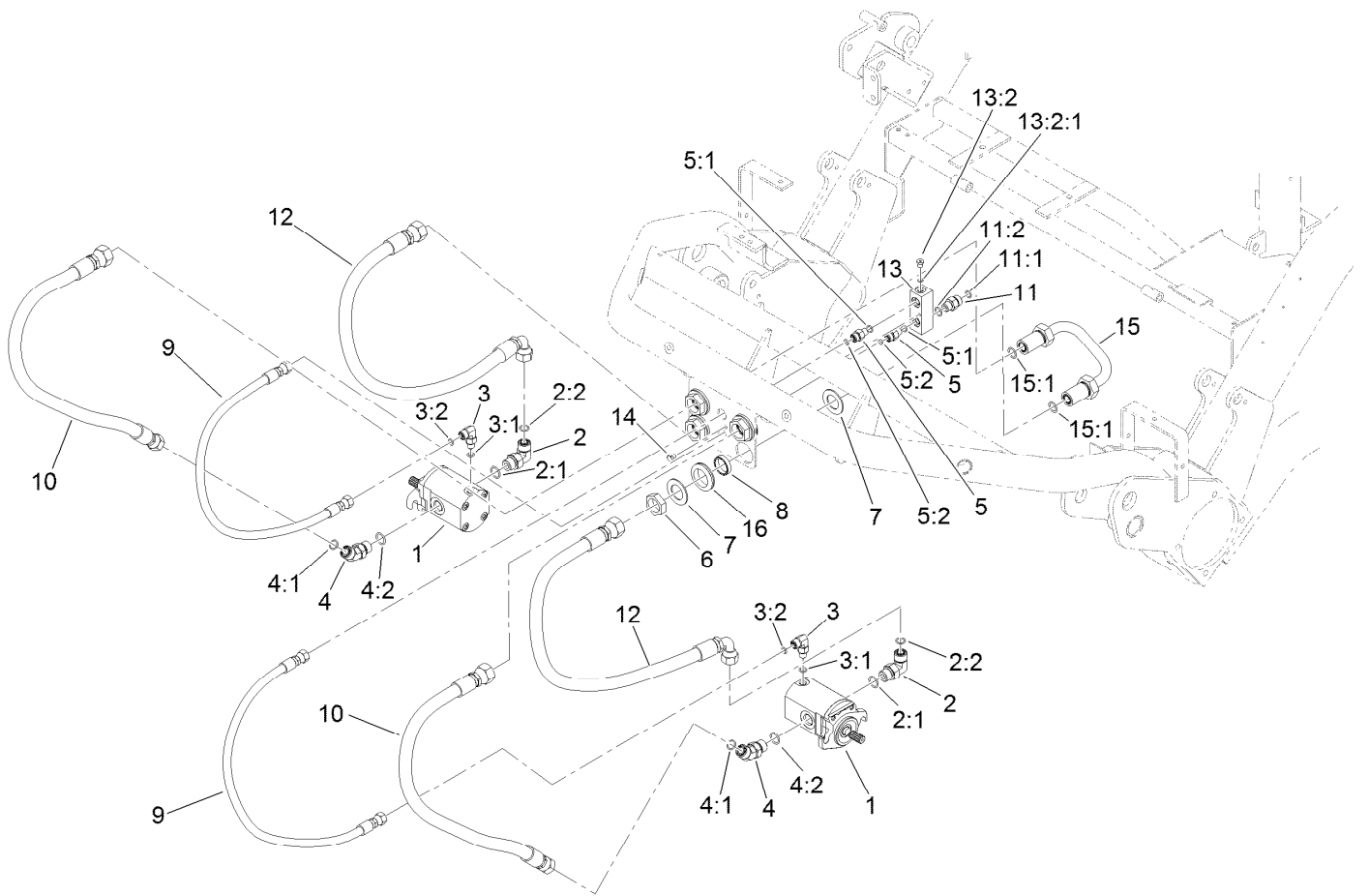
| Ref. | Part Number | Qty. | Description | Ref. | Part Number | Qty. | Description |
|------|-------------|------|----------------|------|-------------|------|-----------------------|
| 1 | 76-0860 | 1 | Shaft-Coupling | 10:2 | | 1 | Ring-Commutator ● |
| 2 | 76-0850 | 1 | Bearing-Thrust | 11 | 100-6131 | 1 | Seal Kit |
| 3 | 92-9761 | 1 | Link-Drive | 11:1 | | 1 | Ring-Back Up ● |
| 4 | 92-9762 | 7 | Screw-HH | 11:2 | | 1 | Washer-Back Up ● |
| 5 | 3257-42 | 1 | Key-Woodruff | 11:3 | | 1 | Seal-Shaft ● |
| 6 | 92-9754 | 1 | Plate-Wear | 11:4 | | 5 | Seal-Ring ● |
| 7 | 76-0840 | 1 | Manifold | 11:5 | | 1 | Seal-Commutator ● |
| 8 | 76-0940 | 1 | End Cover ASM | 11:6 | | 1 | Seal-Dirt And Water ● |
| 9 | 92-9763 | 1 | Rotor Set | 12 | 76-0810 | 1 | Housing ASM |
| 9:1 | | 1 | Rotor ● | 12:1 | | 1 | Bearing ● |
| 9:2 | | 1 | Vane ● | 12:2 | | 1 | Housing ● |
| 9:3 | | 1 | Stator ● | 12:3 | | 2 | Washer-Thrust ● |
| 10 | 76-0880 | 1 | Commutator ASM | 12:4 | | 1 | Bearing-Thrust ● |
| 10:1 | | 1 | Commutator ● | 12:5 | | 1 | Bearing ● |

● Not serviced separately



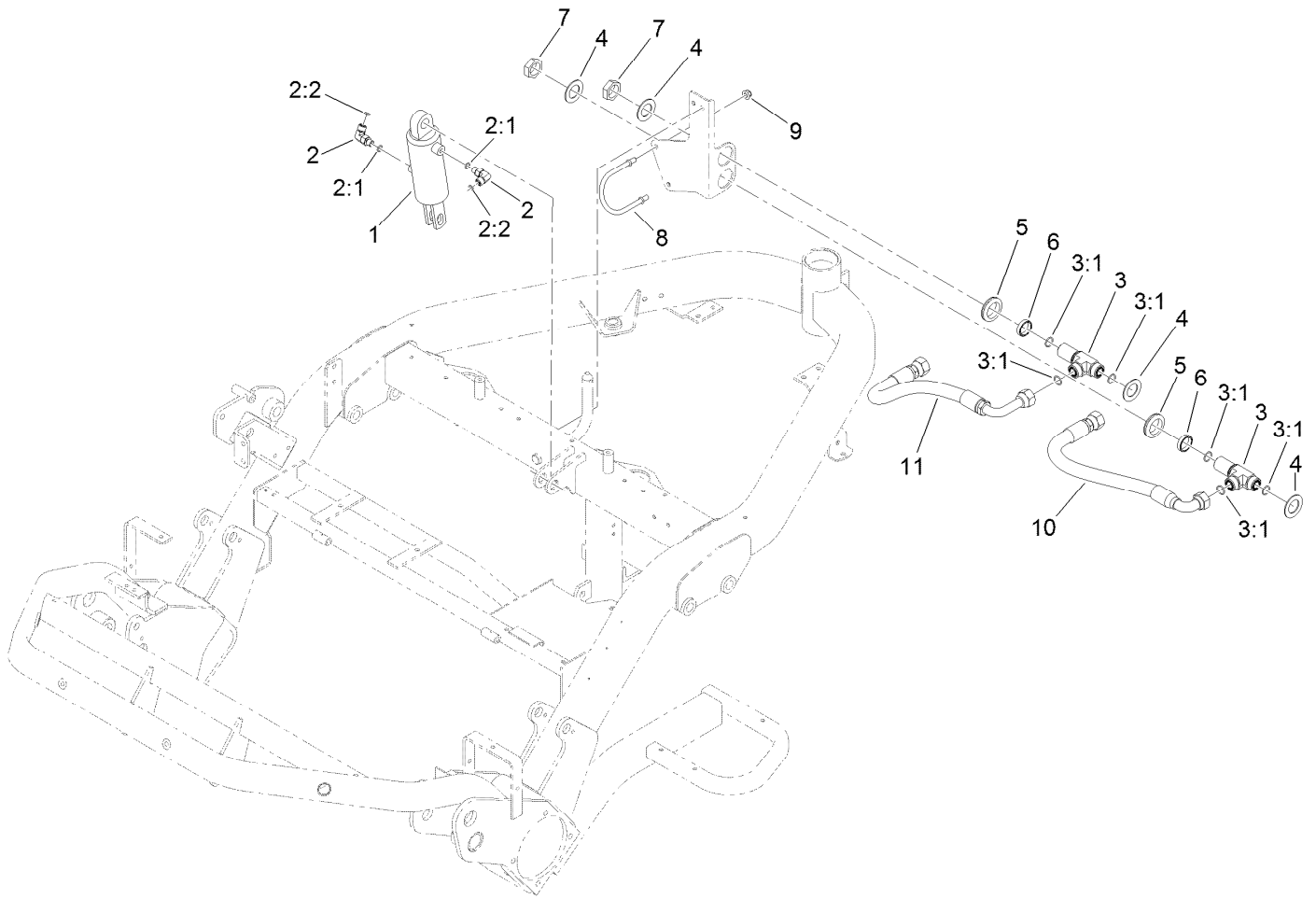
Hydraulic Reel Motor Assembly No. 115-3321

| <i>Ref.</i> | <i>Part Number</i> | <i>Qty.</i> | <i>Description</i> |
|-------------|--------------------|-------------|--------------------|
| 1 | 145-2785 | 1 | Seal Kit |



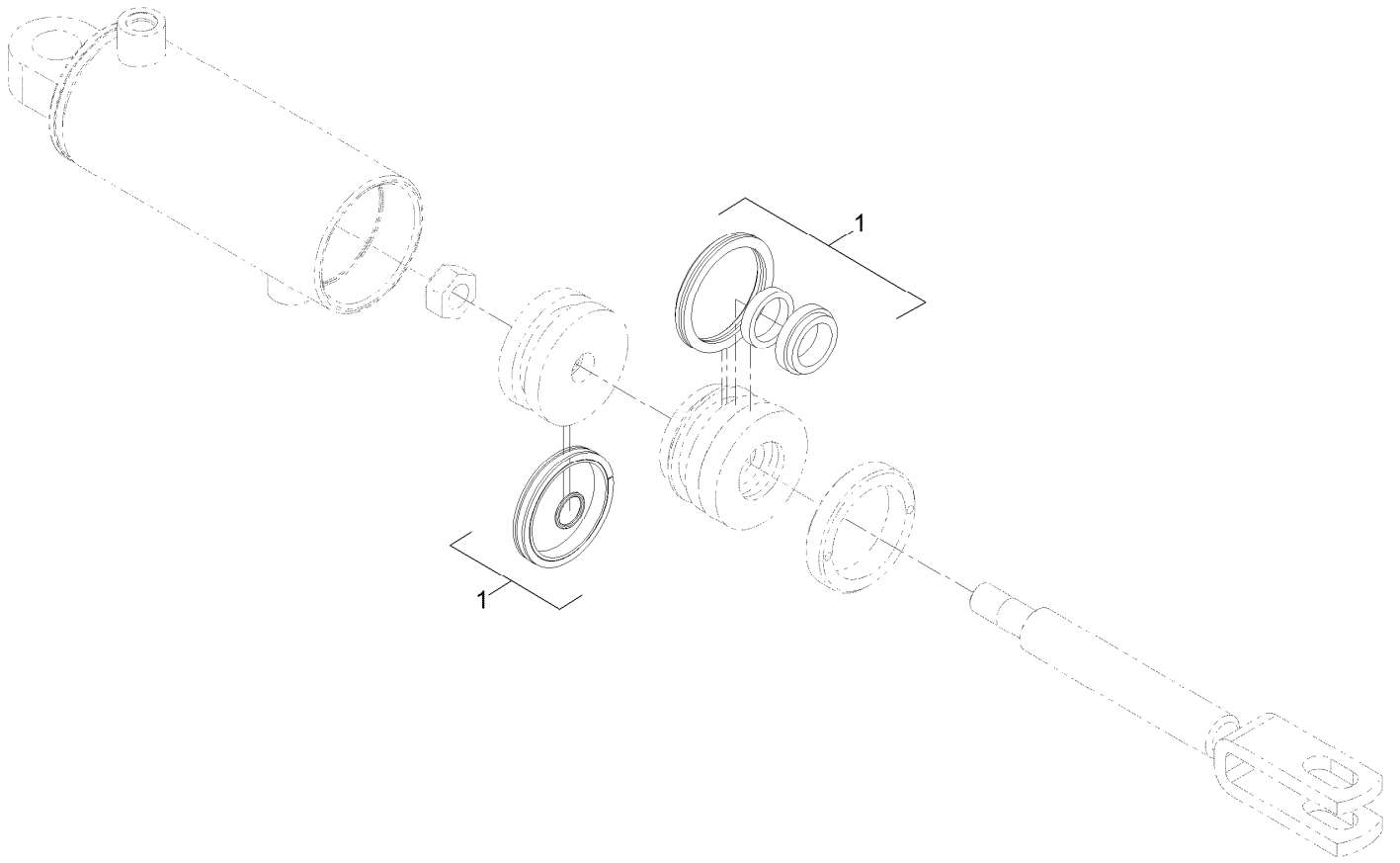
Front Reel Motors Assembly

| <i>Ref.</i> | <i>Part Number</i> | <i>Qty.</i> | <i>Description</i> | <i>Ref.</i> | <i>Part Number</i> | <i>Qty.</i> | <i>Description</i> |
|-------------|--------------------|-------------|-----------------------|-------------|--------------------|-------------|--------------------|
| 1 | 120-2072 | 2 | HYD Motor ASM | 8 | 125-1984 | 4 | Spacer |
| 2 | 340-98 | 2 | Fitting-Elbow, 90 DEG | 9 | 106-9674 | 2 | Hose-HYD |
| 2:1 | 237-79 | 1 | O-Ring | 10 | 139-6529 | 2 | Hose ASM |
| 2:2 | 237-30 | 1 | O-Ring | 11 | 340-2 | 1 | Fitting-Straight |
| 3 | 340-132 | 2 | Fitting-Elbow, 90 DEG | 11:1 | 237-22 | 1 | O-Ring |
| 3:1 | 237-78 | 1 | O-Ring | 11:2 | 237-42 | 1 | O-Ring |
| 3:2 | 237-21 | 1 | O-Ring | 12 | 139-6530 | 2 | Hose ASM |
| 4 | 340-101 | 2 | Fitting-HYD, 45 DEG | 13 | 93-2238 | 1 | T-Block |
| 4:1 | 237-30 | 1 | O-Ring | 13:2 | 353-991 | 1 | Plug-Hex, Hollow |
| 4:2 | 237-79 | 1 | O-Ring | 13:2:1 | 237-156 | 1 | O-Ring |
| 5 | 340-92 | 2 | Fitting-Straight | 14 | 33113-008 | 1 | Screw-HH |
| 5:1 | 237-78 | 1 | O-Ring | 15 | 94-1319 | 1 | Tube-HYD |
| 5:2 | 237-21 | 1 | O-Ring | 15:1 | 237-65 | 2 | O-Ring |
| 6 | 340-74 | 4 | Nut-Lock, Bulkhead | 16 | 240-3 | 4 | Grommet-Rubber |
| 7 | 69-9010 | 8 | Washer | | | | |



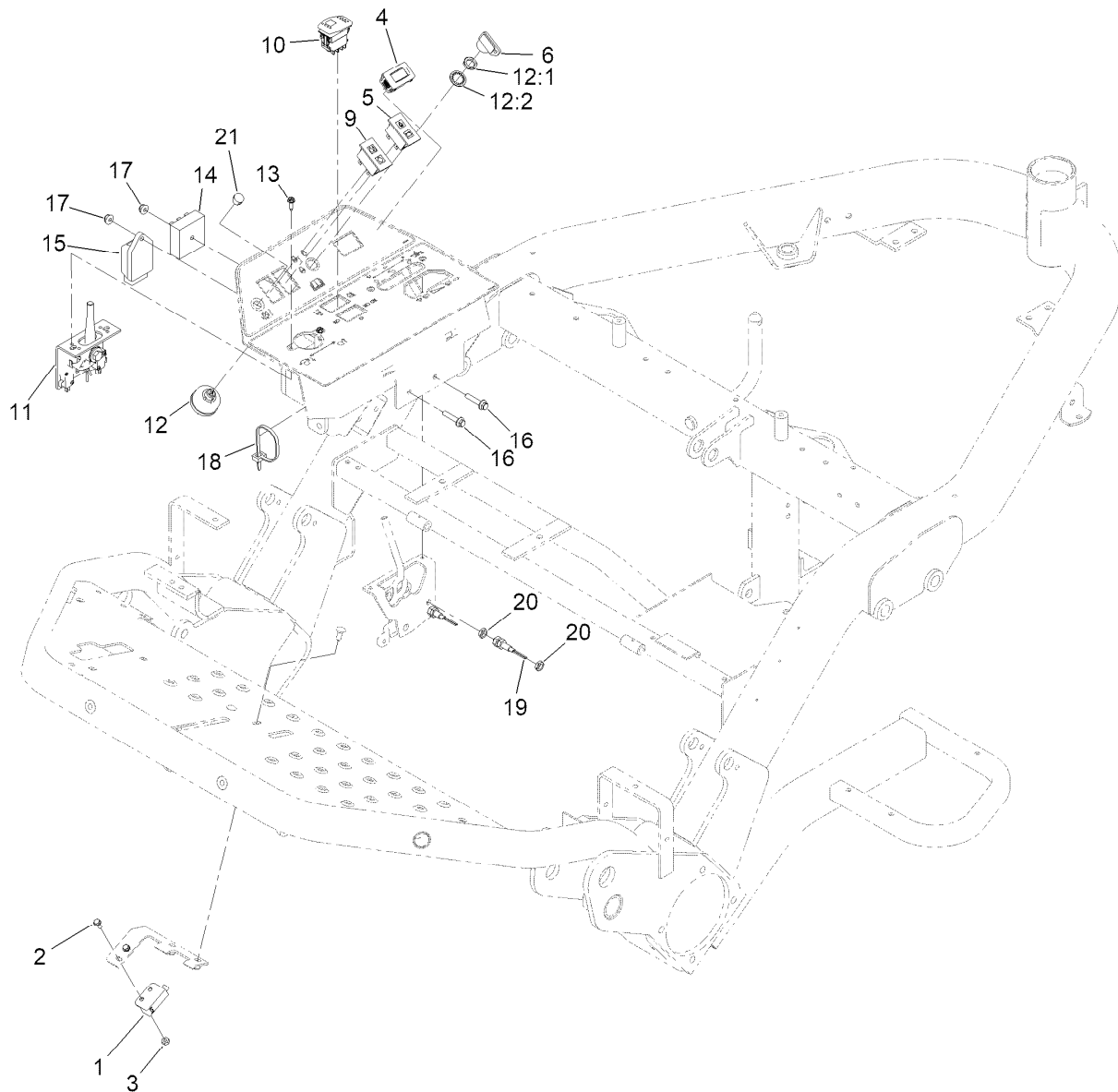
Center Lift Cylinder Assembly

| Ref. | Part Number | Qty. | Description |
|------|-------------|------|-----------------------|
| 1 | 139-2650 | 1 | Cylinder, HYD |
| 2 | 340-132 | 2 | Fitting-Elbow, 90 DEG |
| 2:1 | 237-78 | 1 | O-Ring |
| 2:2 | 237-21 | 1 | O-Ring |
| 3 | 94-5350 | 2 | Fitting-Tee |
| 3:1 | 237-65 | 3 | O-Ring |
| 4 | 69-9010 | 4 | Washer |
| 5 | 240-3 | 2 | Grommet-Rubber |
| 6 | 125-1984 | 2 | Spacer |
| 7 | 340-74 | 2 | Nut-Lock, Bulkhead |
| 8 | 161-4652 | 1 | Retainer-Hose |
| 9 | 119-4041 | 2 | Nut-HF |
| 10 | 131-6207 | 1 | Hose ASM |
| 11 | 131-6208 | 1 | Hose ASM |



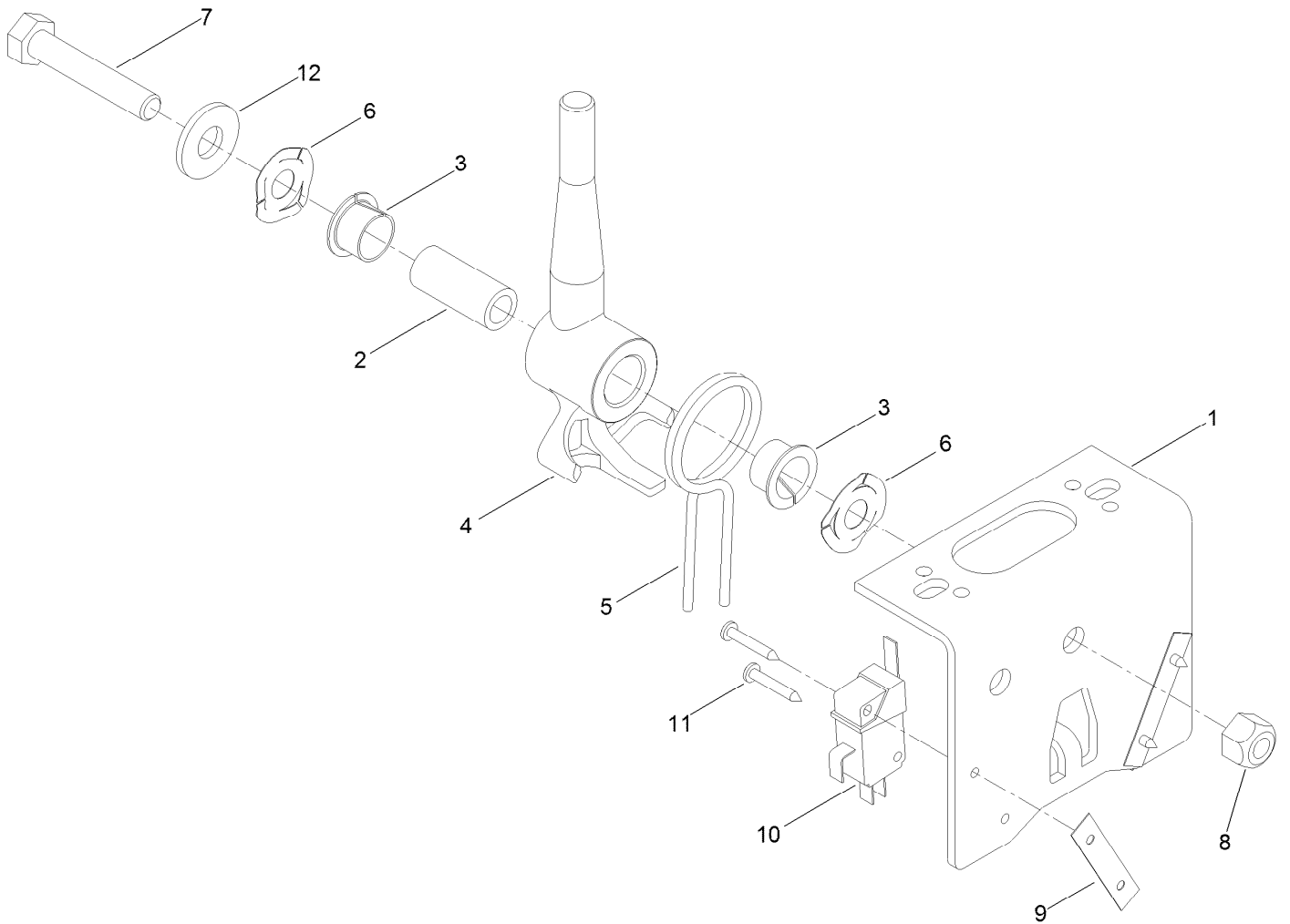
Hydraulic Cylinder Assembly No. 139-2650

| <i>Ref.</i> | <i>Part Number</i> | <i>Qty.</i> | <i>Description</i> |
|-------------|--------------------|-------------|--------------------|
| 1 | 139-2652 | 1 | Seal Kit |



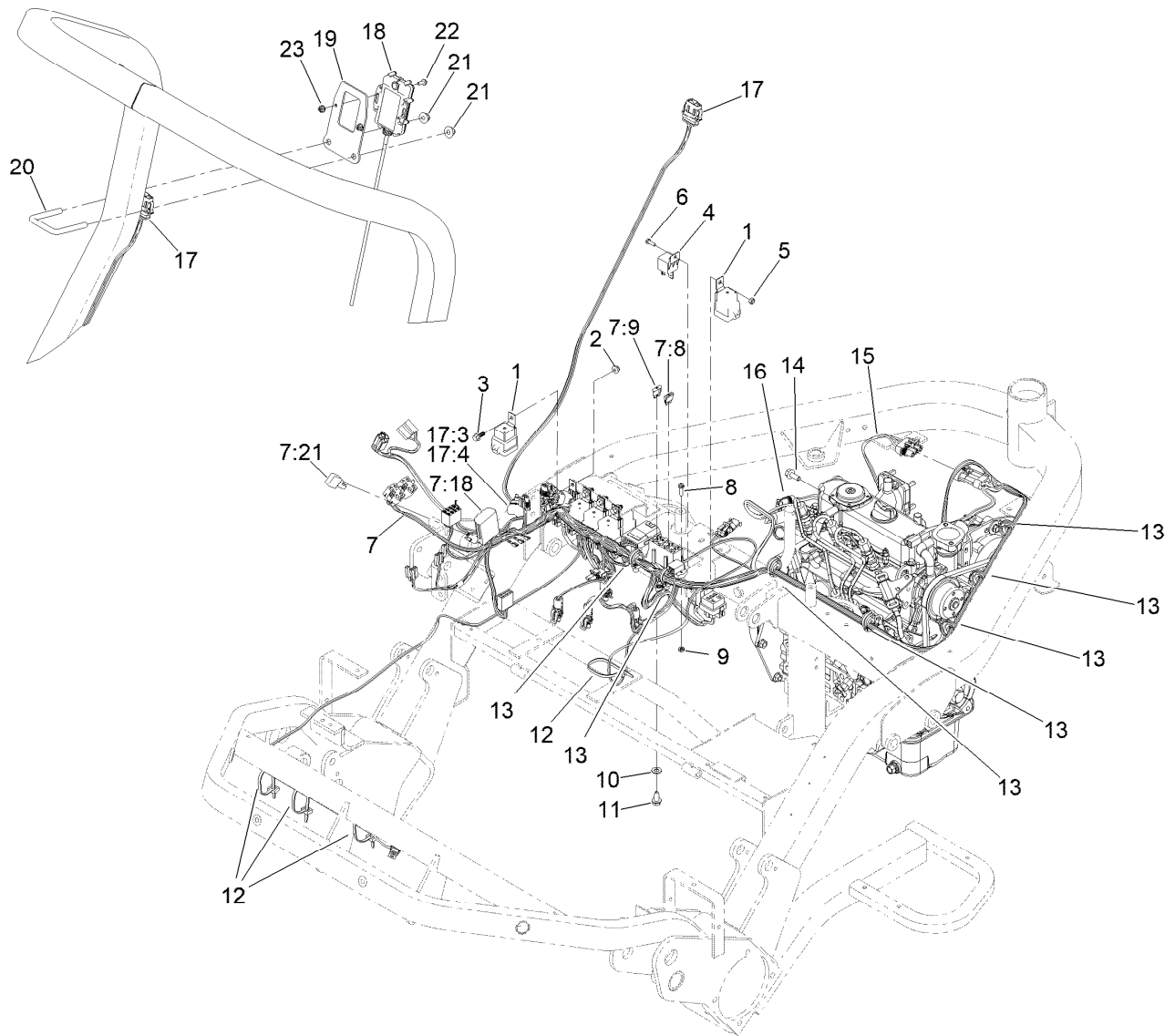
Console Assembly

| <i>Ref.</i> | <i>Part Number</i> | <i>Qty.</i> | <i>Description</i> | <i>Ref.</i> | <i>Part Number</i> | <i>Qty.</i> | <i>Description</i> |
|-------------|--------------------|-------------|--------------------------------|-------------|--------------------|-------------|----------------------|
| 1 | 104-2057 | 1 | Sensor | 12:1 | 218-446 | 1 | Nut-Hex |
| 2 | 3290-321 | 2 | Screw-HWH | 12:2 | 218-447 | 1 | Washer-Lock |
| 3 | 3296-2 | 2 | Nut-Lock, NI | 13 | 32144-19 | 2 | Screw-SHWH |
| 4 | 120-2244 | 1 | Hourmeter | 14 | 92-2538 | 1 | Module-Timer |
| 5 | 100-8070 | 1 | Lamp-Warning | 15 | 107-9097 | 1 | Controller-Glow |
| 6 | 63-8360 | 2 | Key-Ignition | 16 | 3234-21 | 2 | Screw-HHF |
| 9 | 100-8071 | 1 | Lamp-Warning | 17 | 104-7201 | 2 | Nut-HF, NI |
| 10 | 100-8072 | 1 | Switch-Rocker, On-None-(On) | 18 | 3290-378 | 2 | Tie-Cable |
| 11 | 120-5280 | 1 | Bracket-Joystick | 19 | 112-0278 | 2 | Sensor - Reed Switch |
| 12 | 27-2360 | 1 | Switch | 20 | 117-4059 | 4 | Nut-Hex |
| | | | | 21 | 2410-64 | 1 | Plug-Dome |



Joystick Bracket Assembly No. 120-5280

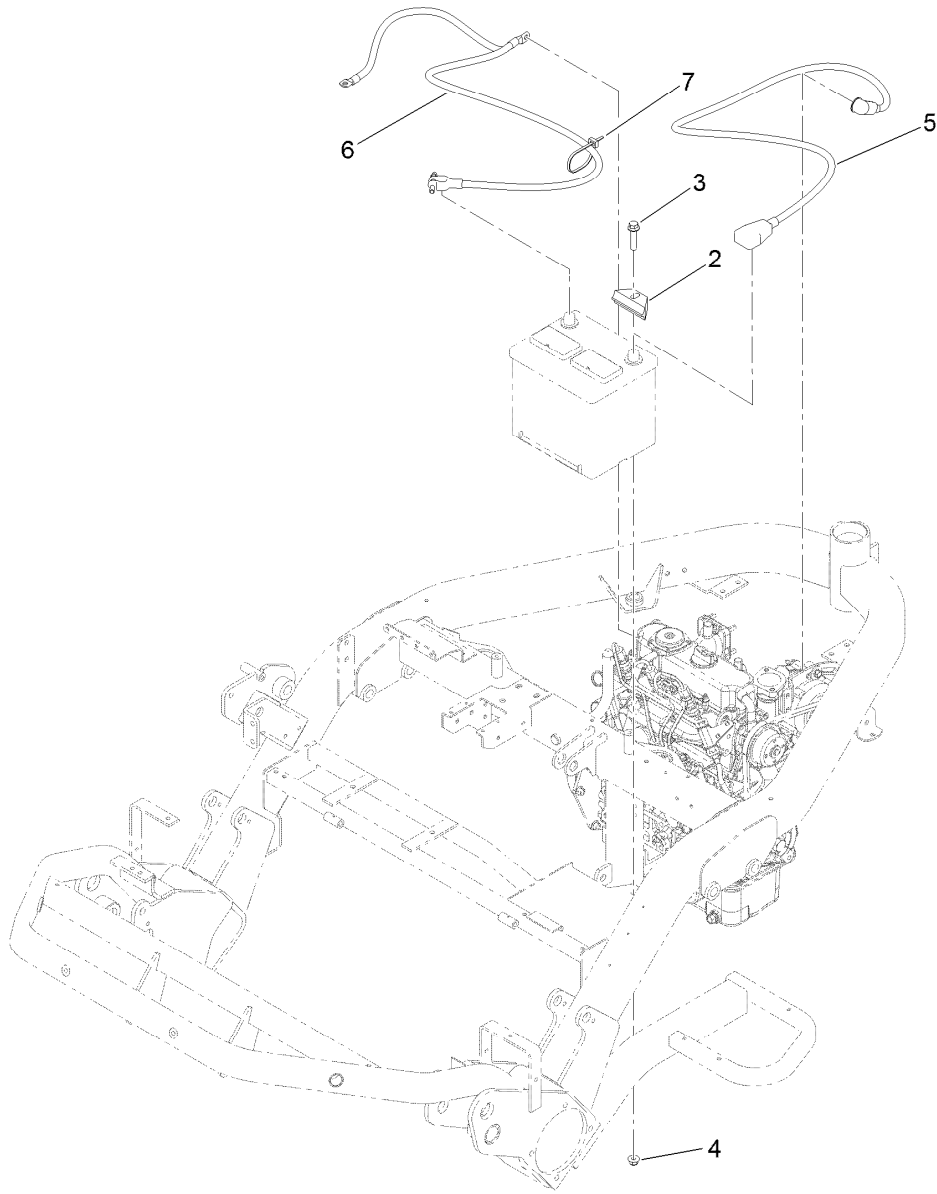
| <i>Ref.</i> | <i>Part Number</i> | <i>Qty.</i> | <i>Description</i> |
|-------------|--------------------|-------------|-----------------------|
| 1 | 115-5357-03 | 1 | Bracket-Joystick |
| 2 | 106-4192 | 1 | Spacer |
| 3 | 93-5547 | 2 | Bushing-Nylon |
| 4 | 119-3540 | 1 | Hub-Pivot, Joystick |
| 5 | 105-8289 | 1 | Spring-Torsion |
| 6 | 106-4193 | 2 | Washer-Finger, Spring |
| 7 | 322-9 | 1 | Screw-HH |
| 8 | 3296-29 | 1 | Nut-Lock, NI |
| 9 | 3290-354 | 2 | Nut-Speed |
| 10 | 108-6496 | 2 | Switch (W/Boot) |
| 11 | 95-3003 | 4 | Screw-PPHTF |
| 12 | 3256-3 | 1 | Washer-Flat |



Electrical Harness Assembly

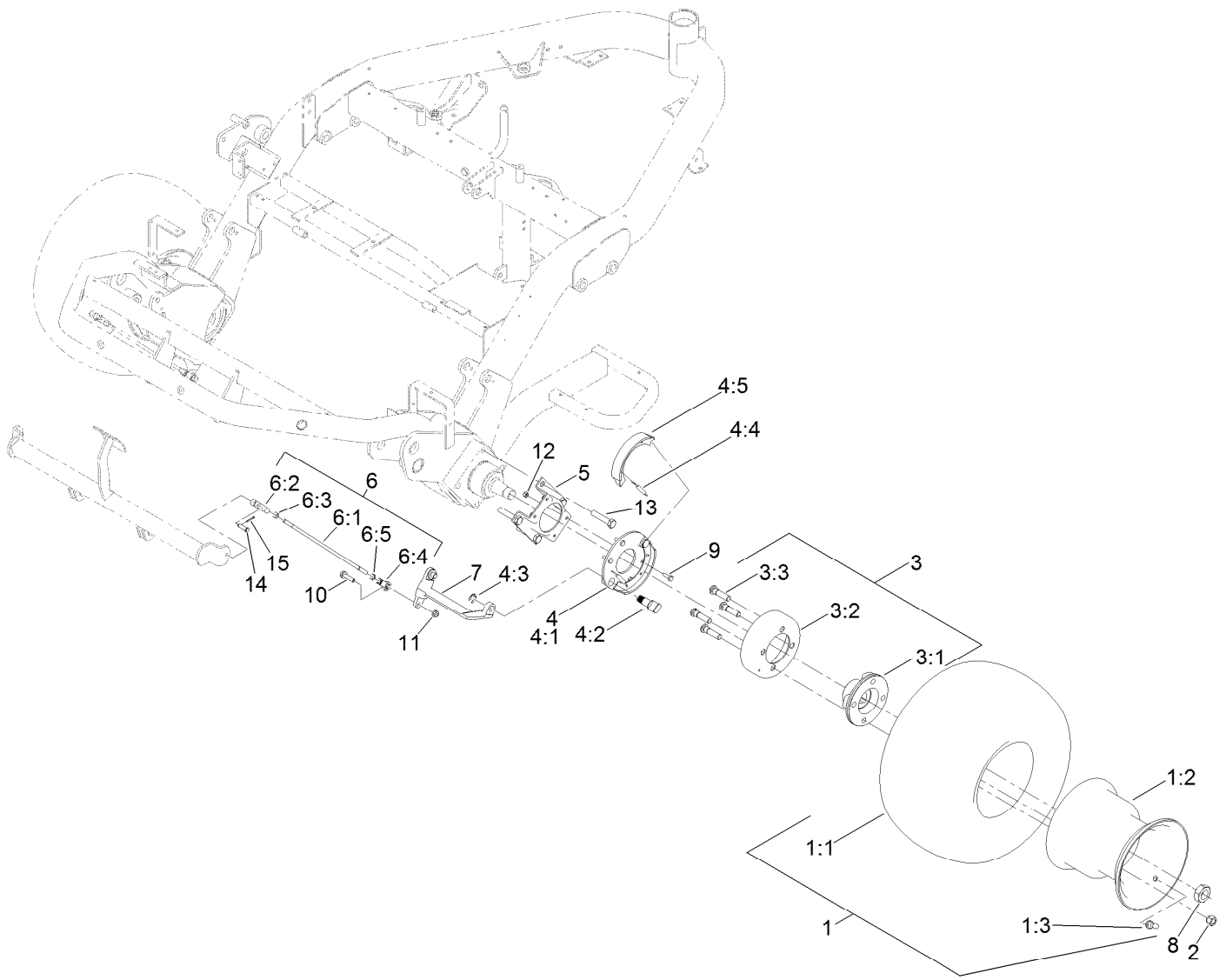
| <i>Ref.</i> | <i>Part Number</i> | <i>Qty.</i> | <i>Description</i> | <i>Ref.</i> | <i>Part Number</i> | <i>Qty.</i> | <i>Description</i> |
|-------------|--------------------|-------------|----------------------------------|-------------|--------------------|-------------|----------------------------|
| 1 | 99-7430 | 9 | Relay-Mini | 11 | 32104-32 | 1 | Screw-HWH |
| 2 | 104-7201 | 4 | Nut-HF, NI | 12 | 3290-378 | 4 | Tie-Cable |
| 3 | 99-6810 | 4 | Screw-HHF | 13 | 32180-030 | 7 | Clip-Tie |
| 4 | 99-7435 | 1 | Relay | 14 | 33104-020 | 1 | Screw-HHF |
| 5 | 3296-2 | 1 | Nut-Lock, NI | 15 | 99-3441 | 1 | Harness-Wire, Fusible Link |
| 6 | 3290-134 | 1 | Screw | 16 | 120-6325 | 1 | Harness-Wire, Ground |
| 7 | 122-1392 | 1 | Harness-Wire | 17 | 122-2161 | 1 | Harness-Wire |
| 7:8 | 109355 | 1 | Fuse-Blade, 15 Amp | 17:3 | 121-8861 | 1 | Fuse-Mini Blade, 2 Amp |
| 7:9 | 218-578 | 3 | Fuse-Blade, 10 Amp | 17:4 | 32180-101 | 1 | Cover-Fuse, Single |
| 7:18 | 92-3188 | 2 | Pcb Assy,Diode, Board, Circuit ● | 18 | 122-3876 | 1 | Gateway-Telematics Lite |
| 7:21 | 104-4022 | 1 | Resistor-75 Ohm | 19 | 161-4731-03 | 1 | Bracket-Telematic |
| 8 | 32105-13 | 2 | Screw-HWH | 20 | 104-9082 | 1 | U-Bolt |
| 9 | 32149-7 | 2 | Nut-Keps | 21 | 119-4042 | 2 | Nut-HF, NI |
| 10 | 3256-23 | 1 | Washer-Plain | 22 | 137-3030 | 2 | Screw-HWH |
| | | | | 23 | 138-0719 | 2 | Nut-HF |

● Not illustrated



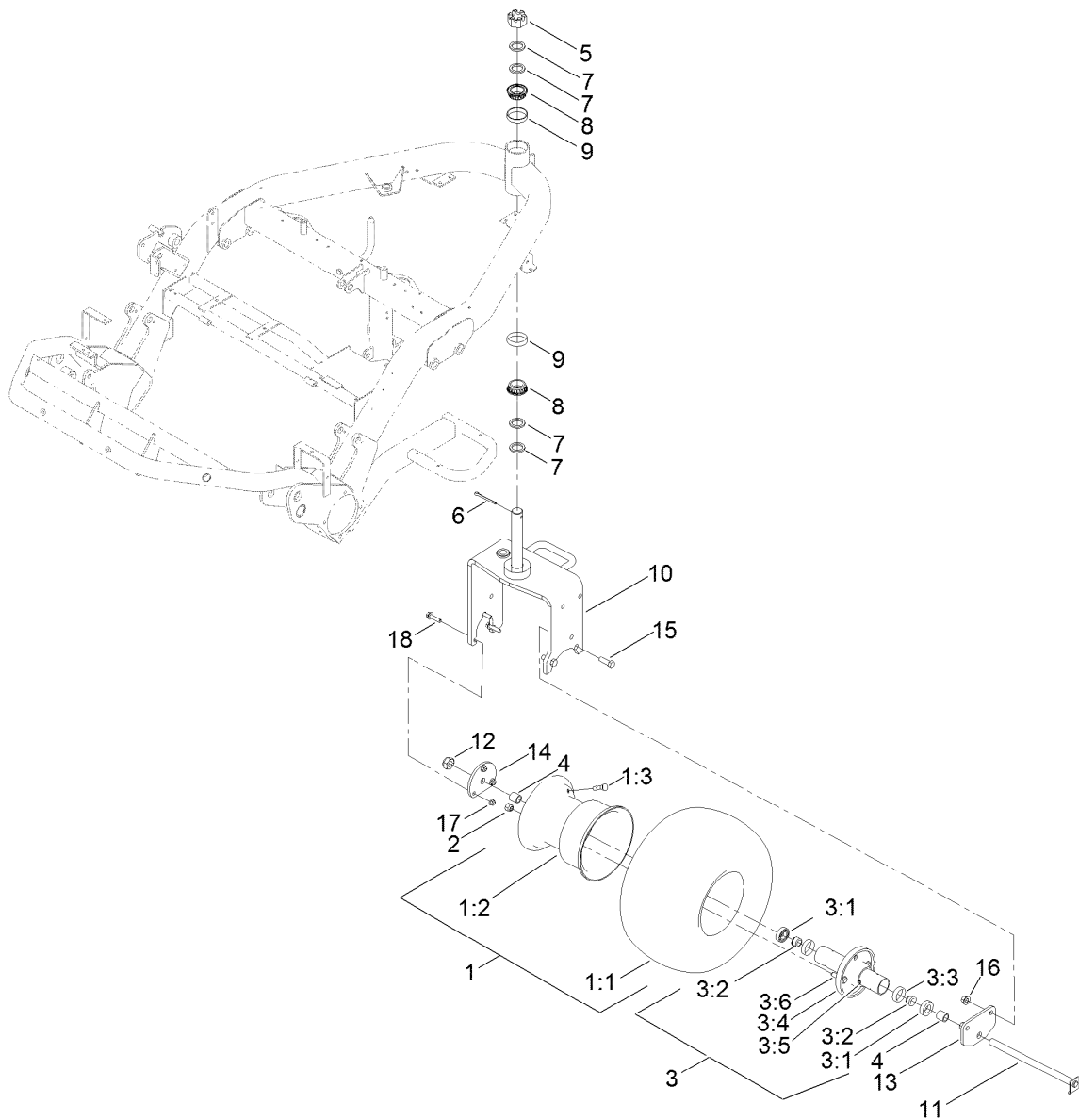
Battery Assembly

| <i>Ref.</i> | <i>Part Number</i> | <i>Qty.</i> | <i>Description</i> |
|-------------|--------------------|-------------|-------------------------|
| 2 | 138-6335 | 1 | Retainer-Battery |
| 3 | 3234-19 | 1 | Screw-HHF |
| 4 | 119-4042 | 1 | Nut-HF, NI |
| 5 | 95-8853 | 1 | Cable-Battery, Positive |
| 6 | 99-8167 | 1 | Cable-Battery, Negative |
| 7 | 3290-378 | 1 | Tie-Cable |



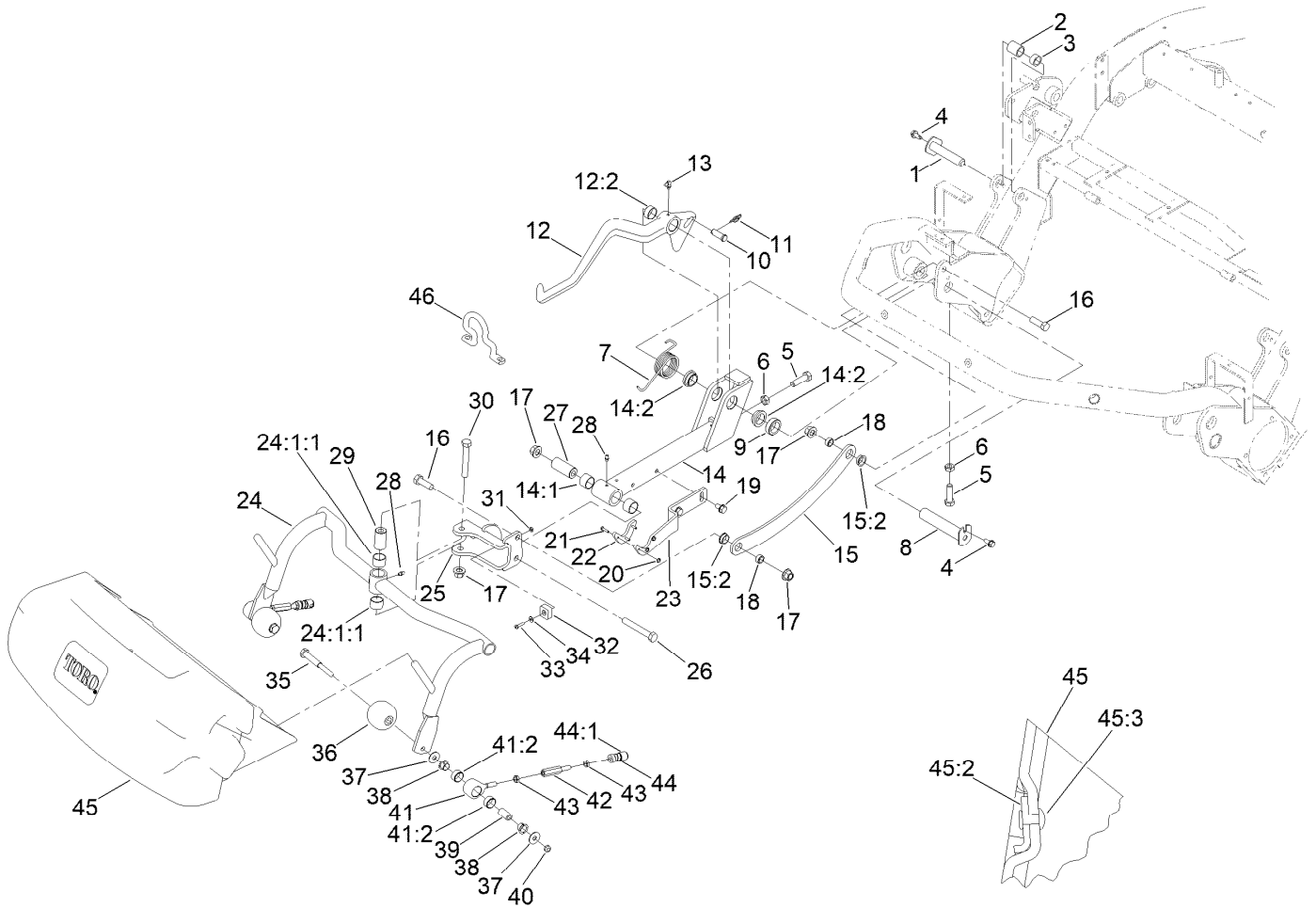
Front Wheel and Brake Assembly

| Ref. | Part Number | Qty. | Description | Ref. | Part Number | Qty. | Description |
|------|-------------|------|--------------------|------|-------------|------|-----------------|
| 1 | 114-4665 | 2 | Tire ASM | 6 | 115-6675 | 2 | Brake Rod ASM |
| 1:1 | 70-8500 | 1 | Tire-Smooth, 4-Ply | 6:1 | 93-2069 | 1 | Rod-Brake |
| 1:2 | 114-4643 | 1 | Wheel | 6:2 | 1-303105 | 1 | Yoke-Adjustable |
| 1:3 | 232-27 | 1 | Stem-Valve | 6:3 | 3220-2 | 1 | Nut-Hex Jam |
| 2 | 139-2564 | 8 | Nut-Lug | 6:4 | 93-2070 | 1 | Clevis-Swivel |
| 3 | 120-5330 | 2 | Brake Drum ASM | 6:5 | 3220-20 | 1 | Nut-Jam |
| 3:1 | 108-2103-0P | 1 | Hub-Wheel | 7 | 93-2096 | 2 | Lever-Brake |
| 3:2 | 10-6850 | 1 | Drum-Brake | 8 | 26-3790 | 2 | Nut-Lock |
| 3:3 | 117-3749 | 4 | Stud-Drive | 9 | 321-5 | 8 | Screw-HH |
| 4 | 104-7705 | 2 | Brake ASM | 10 | 3234-36 | 2 | Screw-HHF |
| 4:1 | 70-9870 | 1 | Plate-Backing | 11 | 119-4041 | 2 | Nut-HF |
| 4:2 | 104-7707 | 1 | Shaft-Cam, Brake | 12 | 3296-42 | 8 | Nut-Lock, NI |
| 4:3 | 104-7706 | 1 | E-Ring, Bowed | 13 | 33116-060 | 8 | Screw-HH |
| 4:4 | 70-9880 | 2 | Spring-Return | 14 | 283-61 | 2 | Pin-Yoke |
| 4:5 | 70-9840 | 2 | Shoe-Brake | 15 | 3272-6 | 2 | Pin-Cotter |
| 5 | 147-3595 | 2 | Bracket-Brake | | | | |



Rear Wheel and Brake Assembly

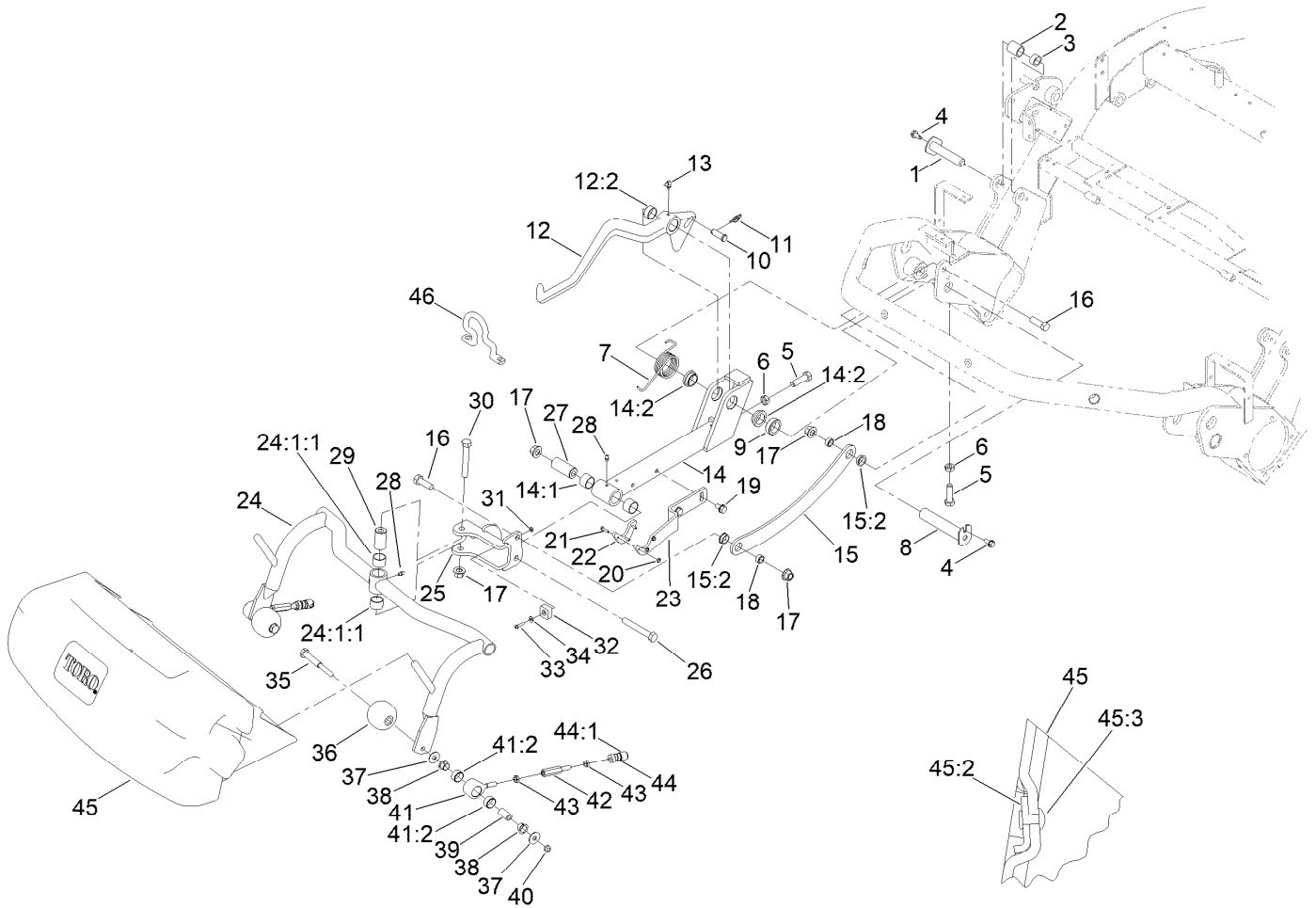
| Ref. | Part Number | Qty. | Description | Ref. | Part Number | Qty. | Description |
|------|-------------|------|----------------------|------|-------------|------|-----------------------|
| 1 | 114-4665 | 1 | Tire ASM | 6 | 3272-37 | 1 | Pin-Cotter |
| 1:1 | 70-8500 | 1 | Tire-Smooth, 4-Ply | 7 | 18-6320 | 4 | Washer |
| 1:2 | 114-4643 | 1 | Wheel | 8 | 115-9472 | 2 | Bearing-Cone And Seal |
| 1:3 | 232-27 | 1 | Stem-Valve | 9 | 115-9471 | 2 | Bearing-Cup |
| 2 | 139-2564 | 4 | Nut-Lug | 10 | 147-3624-01 | 1 | Fork-Castor |
| 3 | 72-9710 | 1 | Hub-Tire | 11 | 70-8370 | 1 | Bolt |
| 3:1 | 253-111 | 2 | Seal-Oil | 12 | 3296-67 | 1 | Nut-Lock, NI |
| 3:2 | 254-78 | 2 | Bearing-Cone | 13 | 99-1485-01 | 1 | Plate-Adapter, Motor |
| 3:3 | 254-79 | 2 | Bearing-Roller, Cup | 14 | 99-1486-01 | 1 | Plate-Adapter |
| 3:4 | 75-9440 | 1 | Hub ASM | 15 | 325-6 | 2 | Screw-HH |
| 3:5 | 302-11 | 1 | Fitting-Lube, 45 DEG | 16 | 139-1689 | 2 | Nut-HF |
| 3:6 | 10-6830 | 4 | Stud-Type, Drive | 17 | 119-4042 | 3 | Nut-HF, NI |
| 4 | 70-8490 | 2 | Spacer-Spindle, Rear | 18 | 114-4681 | 3 | Screw-HHF |
| 5 | 32136-9 | 1 | Nut-Hex, Slotted | | | | |



Right Cutting Unit Suspension Assembly

| Ref. | Part Number | Qty. | Description | Ref. | Part Number | Qty. | Description |
|------|-------------|------|-----------------------|--------|-------------|------|--------------------------|
| 1 | 140-5248 | 1 | Pin-Ram, Pivot | 15:2 | 99-4243 | 2 | Bushing-Flange |
| 2 | 105-3838 | 1 | Spacer | 16 | 325-6 | 2 | Screw-HH |
| 3 | 74-3730 | 1 | Spacer-Spindle, Rear | 17 | 139-1689 | 4 | Nut-HF |
| 4 | 9264964 | 2 | Screw-HWH, Thread Cut | 18 | 99-4201 | 2 | Tube-Spacer |
| 5 | 325-7 | 2 | Screw-HH | 19 | 32144-69 | 2 | Screw-HWHTF |
| 6 | 3218-5 | 2 | Nut-Jam | 20 | 3296-54 | 3 | Nut-Lock |
| 7 | 105-3809 | 1 | Spring-Torsion, RH | 21 | 3250-17 | 3 | Screw-PPH |
| 8 | 94-8198 | 1 | Pin | 22 | 99-4225 | 1 | Pad-Wear |
| 9 | 93-2384 | 1 | Spacer-Carrier | 23 | 99-4111-01 | 1 | Plate-Transport, 1 And 3 |
| 10 | 283-8 | 1 | Pin-Clevis | 24 | 136-8577 | 1 | Pull Frame ASM |
| 11 | 112-1491 | 1 | Pin-Cotter | 24:1:1 | 98-4166 | 2 | Bushing |
| 12 | 99-4213 | 1 | RH Lift Arm ASM | 25 | 99-4183-01 | 1 | RH Clevis ASM |
| 12:2 | 92-8995 | 2 | Bushing | 26 | 325-14 | 1 | Screw-HH |
| 13 | 302-60 | 1 | Fitting-Grease | 27 | 99-4072 | 1 | Spacer |
| 14 | 99-4115 | 1 | Front Lift Frame ASM | 28 | 302-5 | 2 | Fitting-Grease |
| 14:1 | 98-4166 | 2 | Bushing | 29 | 99-4109 | 1 | Spacer |
| 14:2 | 94-9610 | 2 | Bushing-Flange | 30 | 325-13 | 1 | Screw-HH |
| 15 | 99-4258 | 1 | RH Link Bracket ASM | 31 | 3296-12 | 1 | Nut-Lock, NI |

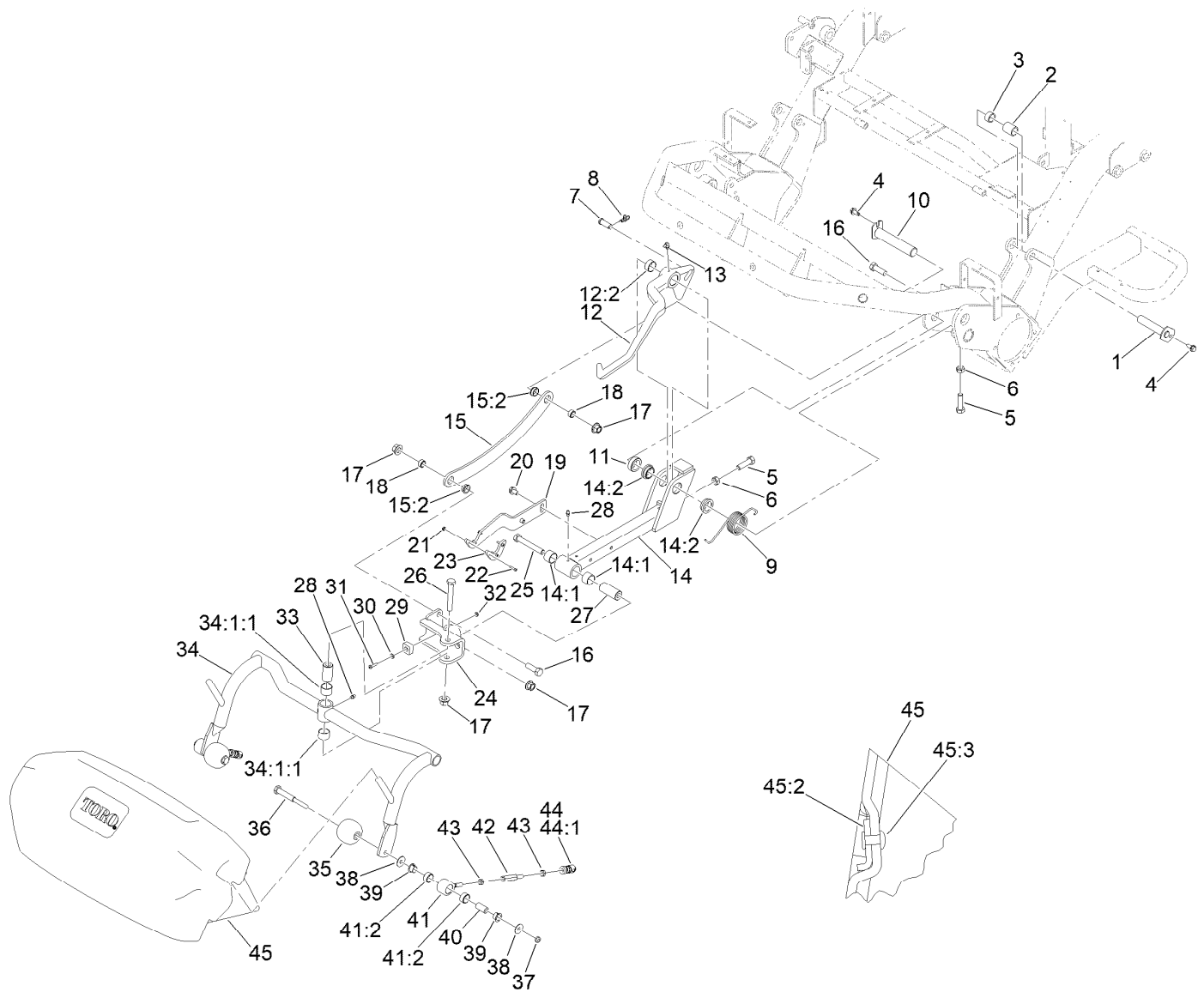
● Not illustrated



Right Cutting Unit Suspension Assembly (continued)

| Ref. | Part Number | Qty. | Description | Ref. | Part Number | Qty. | Description |
|------|-------------|------|-------------------|------|-------------|------|---------------------------------------|
| 32 | 94-1392 | 1 | Pad-Rubber | 41:2 | 95-0532 | 2 | Rubber Bushing ASM |
| 33 | 3250-27 | 1 | Screw-PPH | 42 | 88-6870 | 2 | Extension-Arm, Pull |
| 34 | 3256-14 | 1 | Washer-Flat | 43 | 3220-3 | 4 | Nut-HJ |
| 35 | 108-6543 | 2 | Shaft-Roller | 44 | 147-3120 | 2 | Ball Joint Receiver ASM |
| 36 | 99-4210 | 2 | Roller-Anti Scalp | 44:1 | 147-3121 | 1 | Sleeve-Joint Ball |
| 37 | 119-4150 | 4 | Washer-Flat | 45 | 106-4689 | 1 | Grass Basket ASM |
| 38 | 104-7738 | 4 | Bushing-Flange | 45:2 | 104-2607 | 1 | Strip-Basket ● |
| 39 | 108-6544 | 2 | Spacer | 45:3 | 3290-382 | 8 | Rivet-Pop ● |
| 40 | 3296-59 | 2 | Nut-Lock, NI | 46 | 110-2397 | 3 | Hook-Lift, Offset (1.25 Inch, GR3250) |
| 41 | 139-6539 | 2 | Pull Link ASM | | | | |

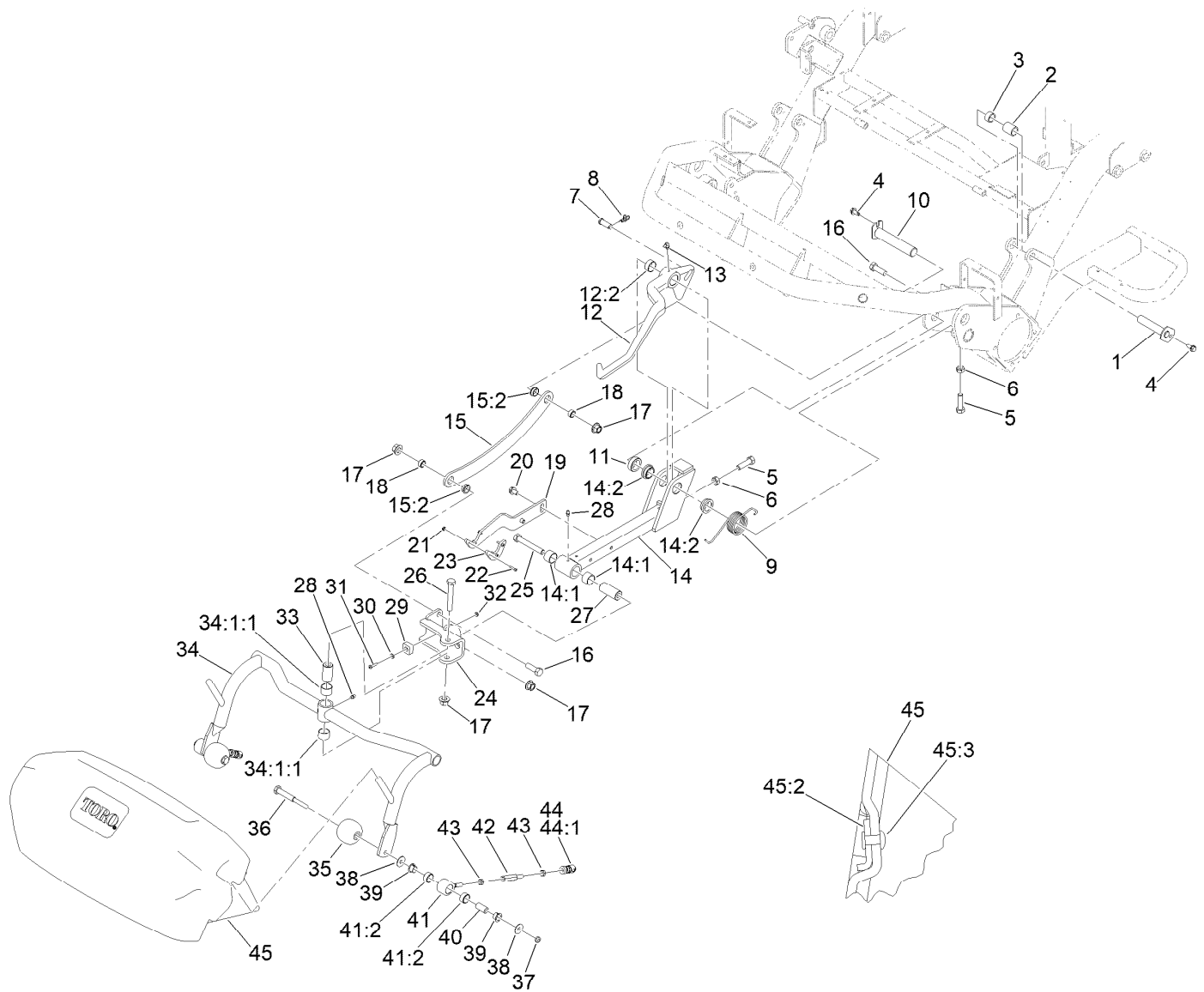
● Not illustrated



Left Cutting Unit Suspension Assembly

| Ref. | Part Number | Qty. | Description | Ref. | Part Number | Qty. | Description |
|------|-------------|------|-----------------------|------|-------------|------|---------------------|
| 1 | 140-5248 | 1 | Pin-Ram, Pivot | 15:2 | 99-4243 | 2 | Bushing-Flange |
| 2 | 105-3838 | 1 | Spacer | 16 | 325-6 | 2 | Screw-HH |
| 3 | 74-3730 | 1 | Spacer-Spindle, Rear | 17 | 139-1689 | 4 | Nut-HF |
| 4 | 9264964 | 2 | Screw-HWH, Thread Cut | 18 | 99-4201 | 2 | Tube-Spacer |
| 5 | 325-7 | 2 | Screw-HH | 19 | 99-4112-01 | 1 | Plate-Transport, #2 |
| 6 | 3218-5 | 2 | Nut-Jam | 20 | 32144-69 | 2 | Screw-HWHTF |
| 7 | 283-8 | 1 | Pin-Clevis | 21 | 3296-54 | 3 | Nut-Lock |
| 8 | 112-1491 | 1 | Pin-Cotter | 22 | 3250-17 | 3 | Screw-PPH |
| 9 | 105-3818 | 1 | Spring-Torsion, LH | 23 | 99-4225 | 1 | Pad-Wear |
| 10 | 94-8198 | 1 | Pin | 24 | 99-4182-01 | 1 | LH Clevis ASM |
| 11 | 93-2384 | 1 | Spacer-Carrier | 25 | 325-14 | 1 | Screw-HH |
| 12 | 99-4212 | 1 | LH Lift Arm ASM | 26 | 325-13 | 1 | Screw-HH |
| 12:2 | 92-8995 | 2 | Bushing | 27 | 99-4072 | 1 | Spacer |
| 13 | 302-60 | 1 | Fitting-Grease | 28 | 302-5 | 2 | Fitting-Grease |
| 14 | 99-4115 | 1 | Front Lift Frame ASM | 29 | 94-1392 | 1 | Pad-Rubber |
| 14:1 | 98-4166 | 2 | Bushing | 30 | 3256-14 | 1 | Washer-Flat |
| 14:2 | 94-9610 | 2 | Bushing-Flange | 31 | 3250-27 | 1 | Screw-PPH |
| 15 | 99-4260 | 1 | LH Link Bracket ASM | 32 | 3296-12 | 1 | Nut-Lock, NI |

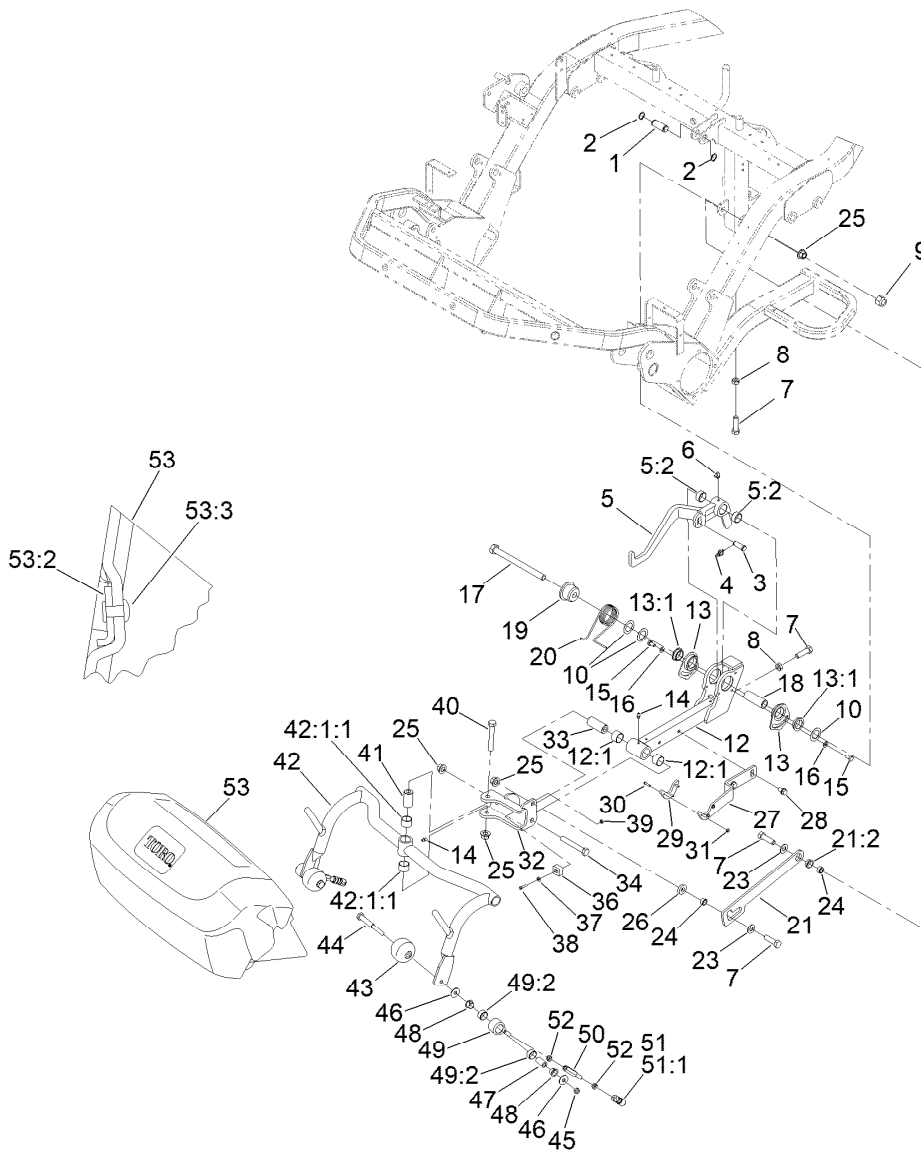
● Not illustrated



Left Cutting Unit Suspension Assembly (continued)

| Ref. | Part Number | Qty. | Description | Ref. | Part Number | Qty. | Description |
|--------|-------------|------|-------------------|------|-------------|------|-------------------------|
| 33 | 99-4109 | 1 | Spacer | 41 | 139-6539 | 2 | Pull Link ASM |
| 34 | 136-8577 | 1 | Pull Frame ASM | 41:2 | 95-0532 | 2 | Rubber Bushing ASM |
| 34:1:1 | 98-4166 | 2 | Bushing | 42 | 88-6870 | 2 | Extension-Arm, Pull |
| 35 | 99-4210 | 2 | Roller-Anti Scalp | 43 | 3220-3 | 4 | Nut-HJ |
| 36 | 108-6543 | 2 | Shaft-Roller | 44 | 147-3120 | 2 | Ball Joint Receiver ASM |
| 37 | 3296-59 | 2 | Nut-Lock, NI | 44:1 | 147-3121 | 1 | Sleeve-Joint Ball |
| 38 | 119-4150 | 4 | Washer-Flat | 45 | 106-4689 | 1 | Grass Basket ASM |
| 39 | 104-7738 | 4 | Bushing-Flange | 45:2 | 104-2607 | 1 | Strip-Basket ● |
| 40 | 108-6544 | 2 | Spacer | 45:3 | 3290-382 | 8 | Rivet-Pop ● |

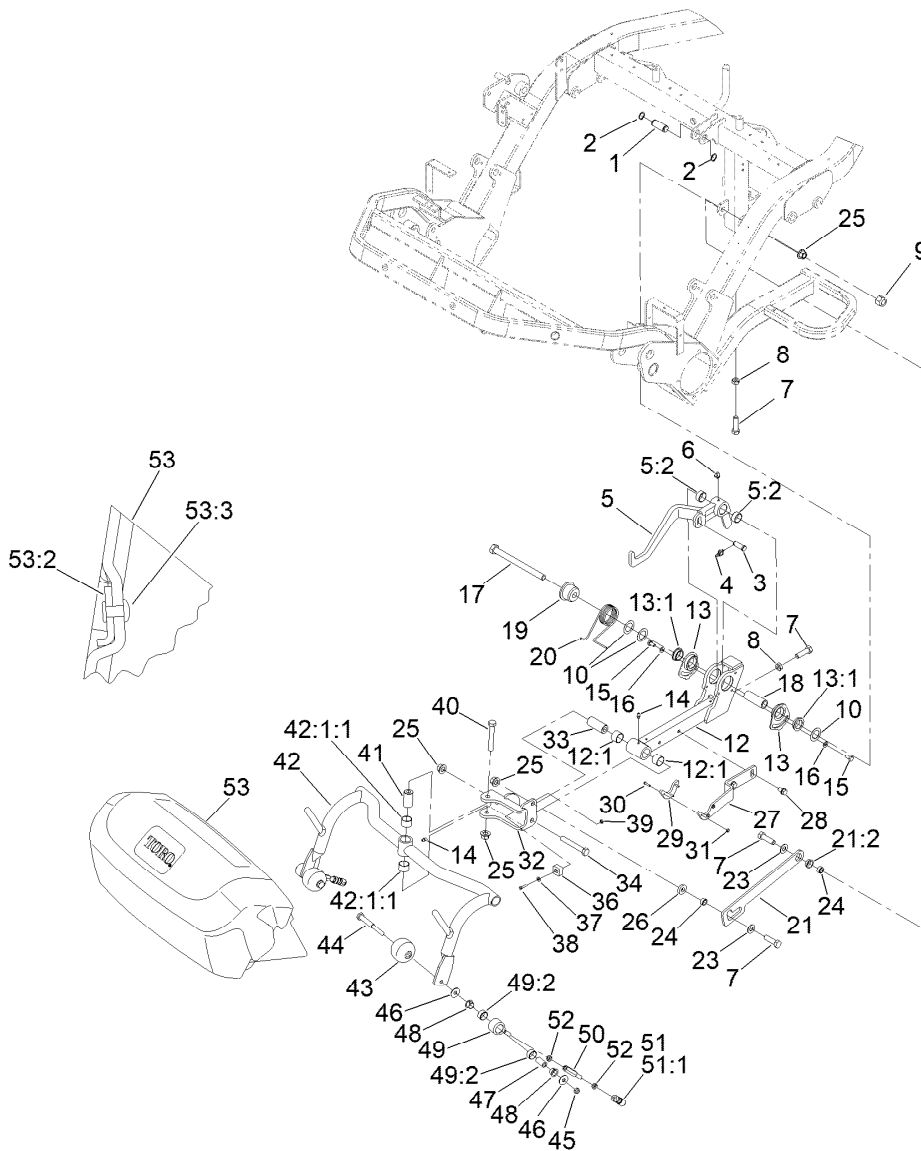
● Not illustrated



Center Cutting Unit Suspension Assembly

| Ref. | Part Number | Qty. | Description | Ref. | Part Number | Qty. | Description |
|------|-------------|------|-----------------------|------|-------------|------|--------------------------|
| 1 | 94-3452 | 1 | Pin | 17 | 327-25 | 1 | Screw-HH |
| 2 | 32120-72 | 2 | Ring-Snap | 18 | 94-8199 | 1 | Tube-Pivot |
| 3 | 283-8 | 1 | Pin-Clevis | 19 | 105-9779 | 1 | Guide-Spring |
| 4 | 112-1491 | 1 | Pin-Cotter | 20 | 105-9781 | 1 | Spring-Torsion |
| 5 | 99-4126 | 1 | Center Lift Arm ASM | 21 | 99-4246 | 1 | Link Bracket ASM |
| 5:2 | 92-8995 | 2 | Bushing | 21:2 | 99-4243 | 1 | Bushing-Flange |
| 6 | 302-60 | 1 | Fitting-Grease | 23 | 3256-26 | 2 | Washer-Flat |
| 7 | 325-7 | 4 | Screw-HH | 24 | 99-4201 | 2 | Tube-Spacer |
| 8 | 3218-5 | 2 | Nut-Jam | 25 | 139-1689 | 4 | Nut-HF |
| 9 | 3296-53 | 1 | Nut-Lock, NI | 26 | 99-4248 | 1 | Spacer |
| 10 | 63-2290 | 3 | Washer-Thrust | 27 | 99-4111-01 | 1 | Plate-Transport, 1 And 3 |
| 12 | 99-4116 | 1 | Rear Lift Frame ASM | 28 | 32144-69 | 2 | Screw-HWHTF |
| 12:1 | 98-4166 | 2 | Bushing | 29 | 99-4225 | 1 | Pad-Wear |
| 13 | 140-6220 | 2 | Eccentric Bushing ASM | 30 | 3250-17 | 3 | Screw-PPH |
| 13:1 | 98-2197 | 1 | Bushing-Flange | 31 | 3296-54 | 3 | Nut-Lock |
| 14 | 302-5 | 2 | Fitting-Grease | 32 | 99-4183-01 | 1 | RH Clevis ASM |
| 15 | 33114-016 | 2 | Screw-HH | 33 | 99-4072 | 1 | Spacer |
| 16 | 3256-74 | 2 | Washer-Flat | 34 | 325-14 | 1 | Screw-HH |

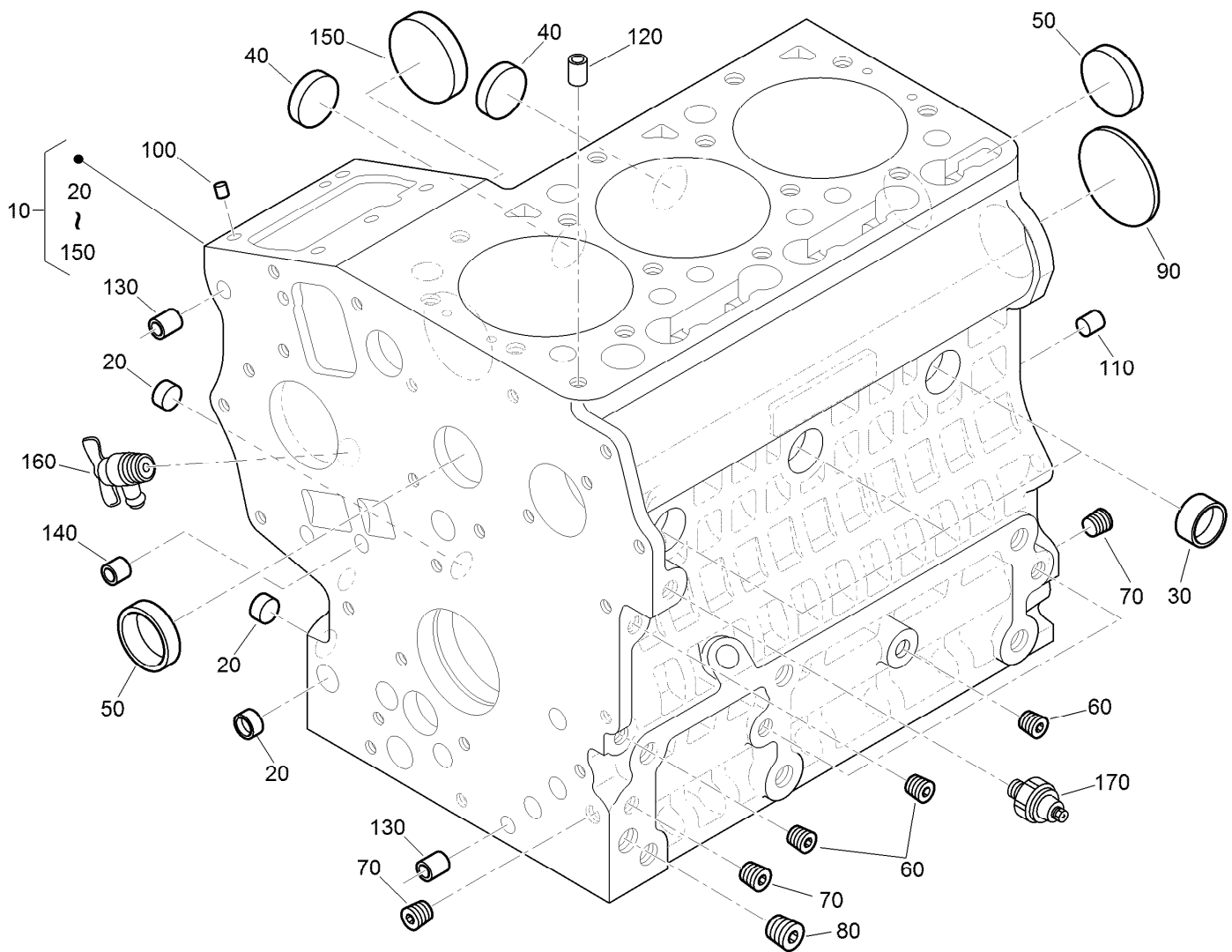
● Not illustrated



Center Cutting Unit Suspension Assembly (continued)

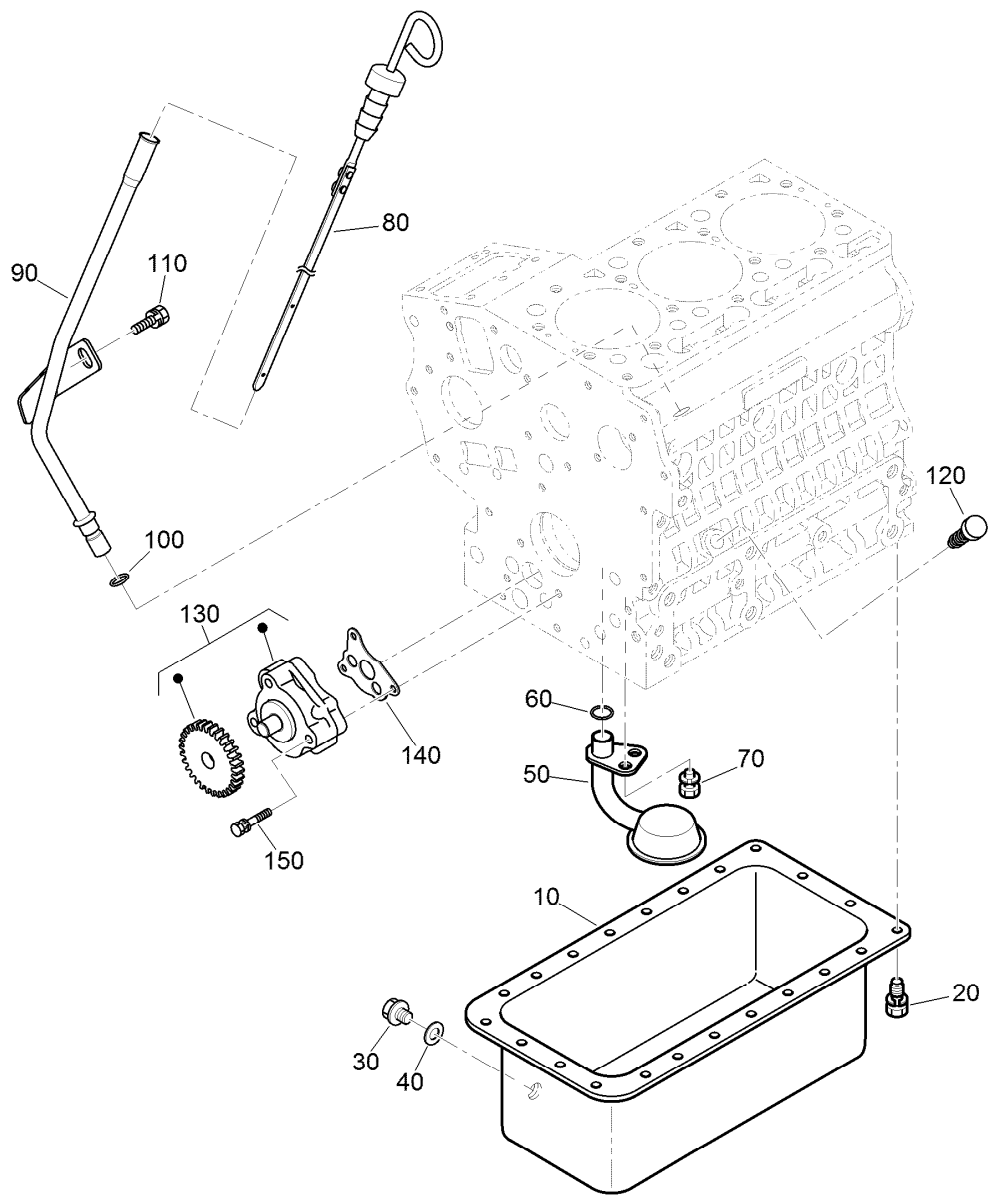
| Ref. | Part Number | Qty. | Description | Ref. | Part Number | Qty. | Description |
|--------|-------------|------|-------------------|------|-------------|------|-------------------------|
| 36 | 94-1392 | 1 | Pad-Rubber | 47 | 108-6544 | 2 | Spacer |
| 37 | 3256-14 | 1 | Washer-Flat | 48 | 104-7738 | 4 | Bushing-Flange |
| 38 | 3250-27 | 1 | Screw-PPH | 49 | 139-6539 | 2 | Pull Link ASM |
| 39 | 3296-12 | 1 | Nut-Lock, NI | 49:2 | 95-0532 | 2 | Rubber Bushing ASM |
| 40 | 325-13 | 1 | Screw-HH | 50 | 88-6870 | 2 | Extension-Arm, Pull |
| 41 | 99-4109 | 1 | Spacer | 51 | 147-3120 | 2 | Ball Joint Receiver ASM |
| 42 | 136-8577 | 1 | Pull Frame ASM | 51:1 | 147-3121 | 1 | Sleeve-Joint Ball |
| 42:1:1 | 98-4166 | 2 | Bushing | 52 | 3220-3 | 4 | Nut-HJ |
| 43 | 99-4210 | 2 | Roller-Anti Scalp | 53 | 106-4689 | 1 | Grass Basket ASM |
| 44 | 108-6543 | 2 | Shaft-Roller | 53:2 | 104-2607 | 1 | Strip-Basket ● |
| 45 | 3296-59 | 2 | Nut-Lock, NI | 53:3 | 3290-382 | 8 | Rivet-Pop ● |
| 46 | 119-4150 | 4 | Washer-Flat | | | | |

● Not illustrated



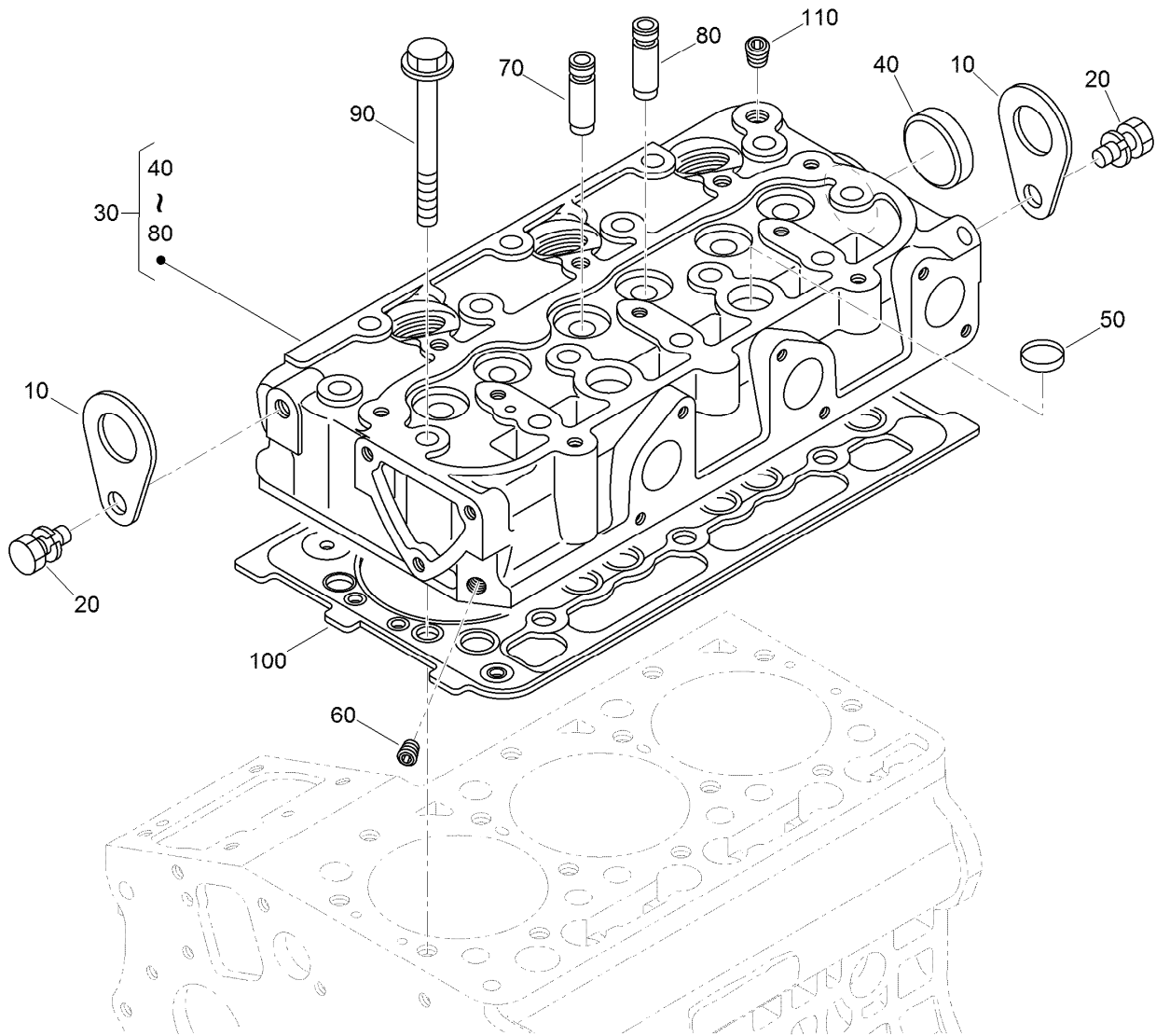
Crankcase Assembly

| <i>Ref.</i> | <i>Part Number</i> | <i>Qty.</i> | <i>Description</i> | <i>Ref.</i> | <i>Part Number</i> | <i>Qty.</i> | <i>Description</i> |
|-------------|--------------------|-------------|--------------------|-------------|--------------------|-------------|----------------------|
| 10 | 130-1385 | 1 | Crankcase ASM | 100 | 98-9375 | 2 | Pin-Straight |
| 20 | 100-2019 | 3 | Cap-Sealing | 110 | 98-9377 | 2 | Pin-Straight |
| 30 | 100-2020 | 3 | Cap-Sealing | 120 | 98-7506 | 1 | Pin-Pipe |
| 40 | 110-3702 | 2 | Cap-Sealing | 130 | 100-2051 | 2 | Pin-Pipe |
| 50 | 98-9398 | 2 | Cap-Sealing | 140 | 100-2051 | 2 | Pin-Pipe |
| 60 | 98-9687 | 5 | Plug | 150 | 100-1991 | 1 | Cover-Fuel, Camshaft |
| 70 | 98-7487 | 3 | Plug | 160 | 120-3121 | 1 | Draincock ASM |
| 80 | 98-7488 | 1 | Plug | 170 | 98-7764 | 1 | Switch-Oil |
| 90 | 100-1851 | 1 | Plug-Expansion | | | | |



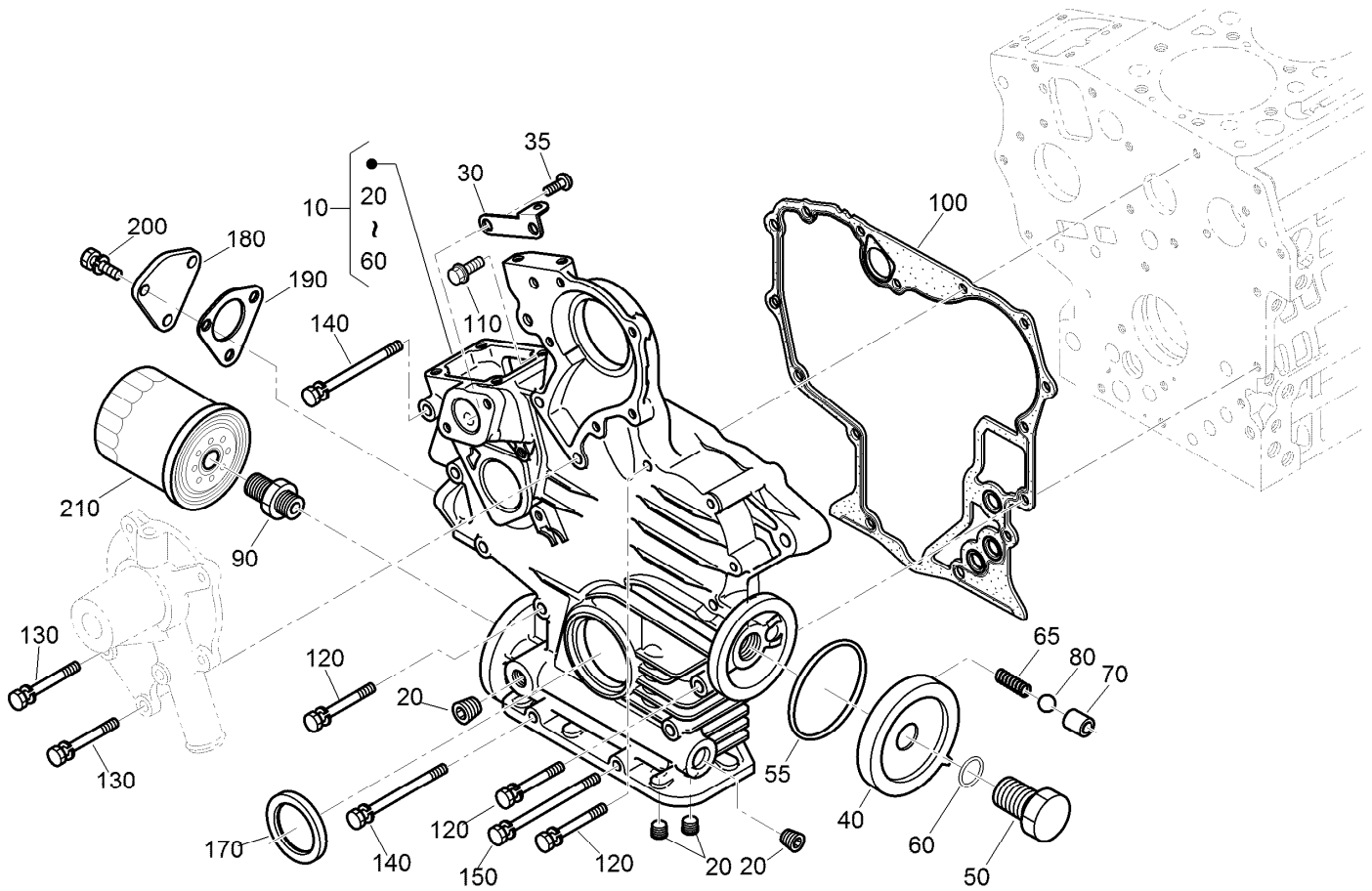
Oil Pan, Oil Pump and Dipstick Assembly

| Ref. | Part Number | Qty. | Description |
|------|-------------|------|----------------------|
| 10 | 120-3122 | 1 | Oil Pan ASM |
| 20 | 98-9350 | 22 | Bolt |
| 30 | 114-8151 | 1 | Plug-Drain |
| 40 | 98-7524 | 1 | Gasket |
| 50 | 100-2001 | 1 | Strainer-Pickup, Oil |
| 60 | 105-3776 | 1 | O-Ring |
| 70 | 100-9195 | 1 | Bolt |
| 80 | 120-3124 | 1 | Gauge-Oil |
| 90 | 120-3125 | 1 | Guide-Gauge, Oil |
| 100 | 98-9722 | 1 | O-Ring |
| 110 | 115-8504 | 1 | Bolt-Flange |
| 120 | 110-3720 | 1 | Plug-Gauge, Oil |
| 130 | 121-2407 | 1 | Oil Pump ASM |
| 140 | 121-2408 | 1 | Gasket-Pump, Oil |
| 150 | 100-1923 | 3 | Bolt |



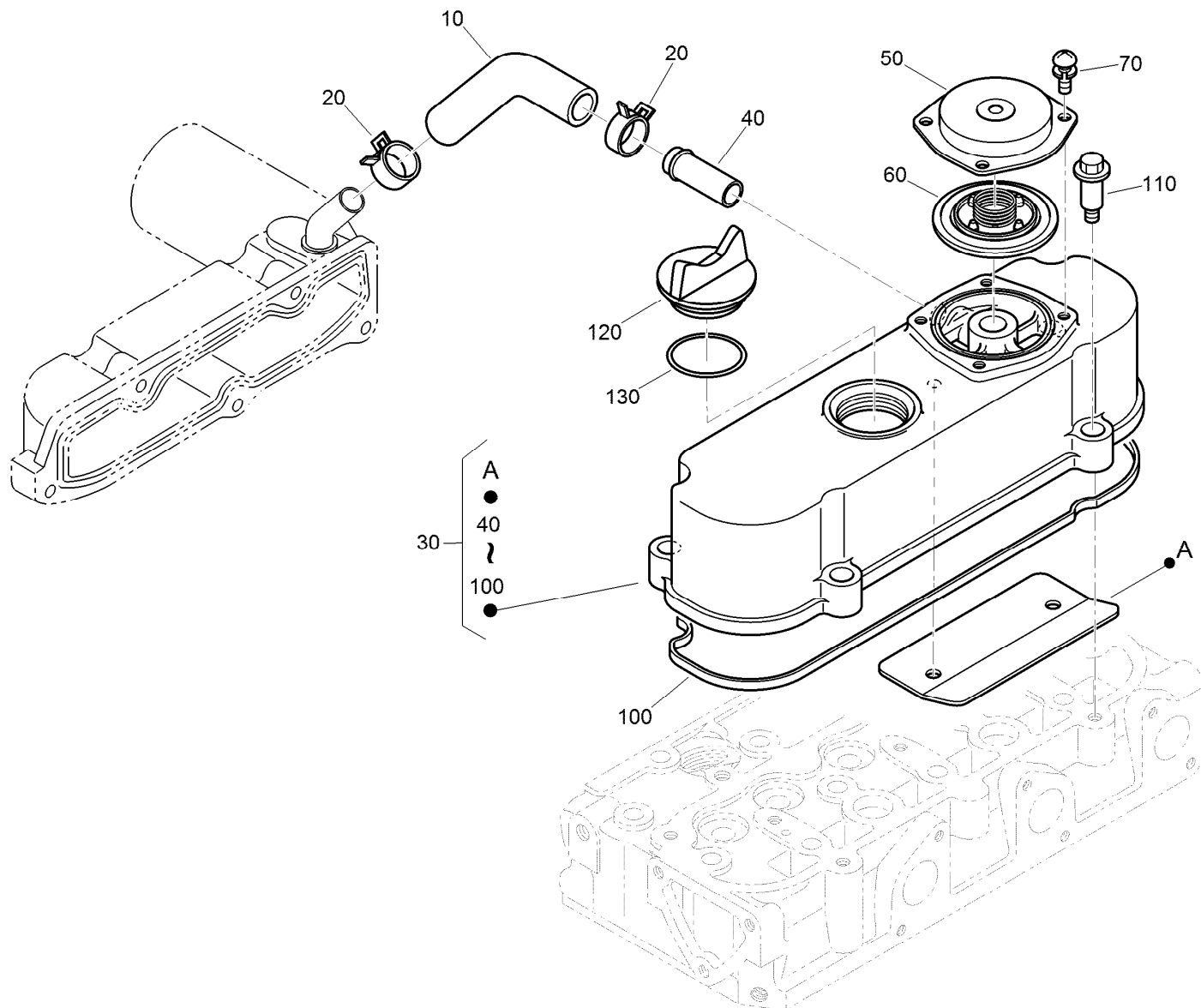
Cylinder Head Assembly

| Ref. | Part Number | Qty. | Description |
|-------------|--------------------|-------------|-----------------------|
| 10 | 98-7531 | 2 | Hook-Engine |
| 20 | 98-7526 | 2 | Bolt |
| 30 | 130-1504 | 1 | Cylinder Head ASM |
| 40 | 105-3705 | 1 | Cap-Sealing |
| 50 | 98-9389 | 2 | Cap-Sealing |
| 60 | 98-9687 | 1 | Plug |
| 70 | 100-1882 | 3 | Guide-Valve, Inlet |
| 80 | 100-1883 | 3 | Guide-Valve, Exhaust |
| 90 | 100-1820 | 14 | Bolt-Head, Cylinder |
| 100 | 112-2520 | 1 | Gasket-Head, Cylinder |
| 110 | 98-9444 | 1 | Plug |



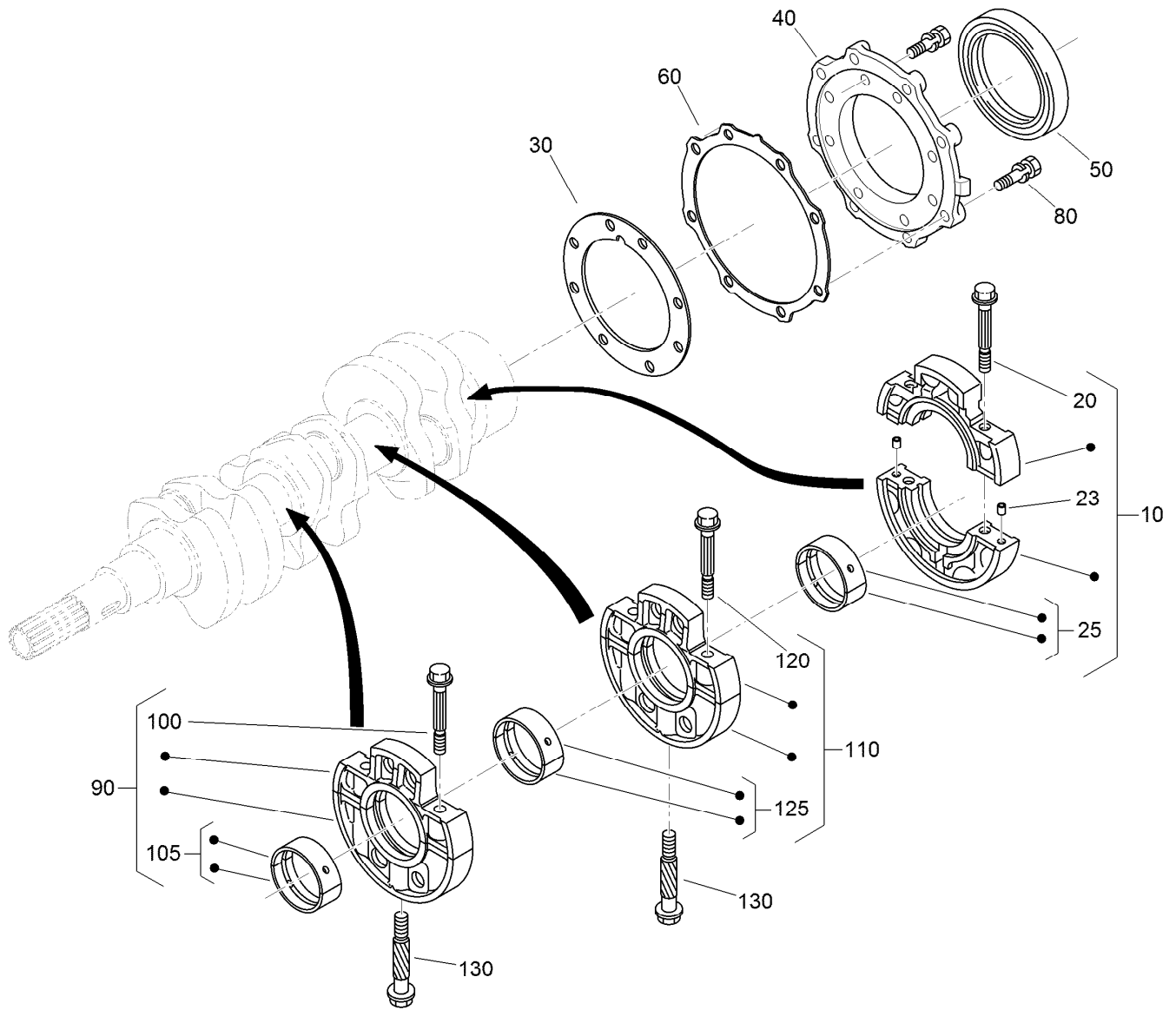
Gear Case and Oil Filter Cartridge Assembly

| <i>Ref.</i> | <i>Part Number</i> | <i>Qty.</i> | <i>Description</i> | <i>Ref.</i> | <i>Part Number</i> | <i>Qty.</i> | <i>Description</i> |
|-------------|--------------------|-------------|--------------------|-------------|--------------------|-------------|--------------------|
| 10 | 121-2401 | 1 | Gearcase ASM | 100 | 121-2404 | 1 | Gasket-Gearcase |
| 20 | 98-7488 | 4 | Plug | 110 | 127-0403 | 1 | Bolt-Flange |
| 30 | 110-3708 | 1 | Stay-Spring, Start | 120 | 125-9063 | 8 | Bolt-Sems |
| 35 | 100-2040 | 2 | Screw | 130 | 100-1922 | 2 | Bolt |
| 40 | 121-2402 | 1 | Cover | 140 | 98-9357 | 3 | Bolt |
| 50 | 121-2403 | 1 | Bolt | 150 | 110-3710 | 1 | Bolt |
| 55 | 98-9729 | 1 | O-Ring | 170 | 120-7852 | 1 | Seal-Oil |
| 60 | 105-3777 | 1 | O-Ring | 180 | 121-2405 | 1 | Cover |
| 65 | 100-2004 | 1 | Spring | 190 | 121-2406 | 1 | Packing-Flange |
| 70 | 100-1894 | 1 | Seat-Valve | 200 | 98-7605 | 3 | Bolt |
| 80 | 100-1792 | 1 | Ball | 210 | 115-8189 | 1 | Filter-Oil, Engine |
| 90 | 98-9388 | 1 | Joint-Pipe | | | | |



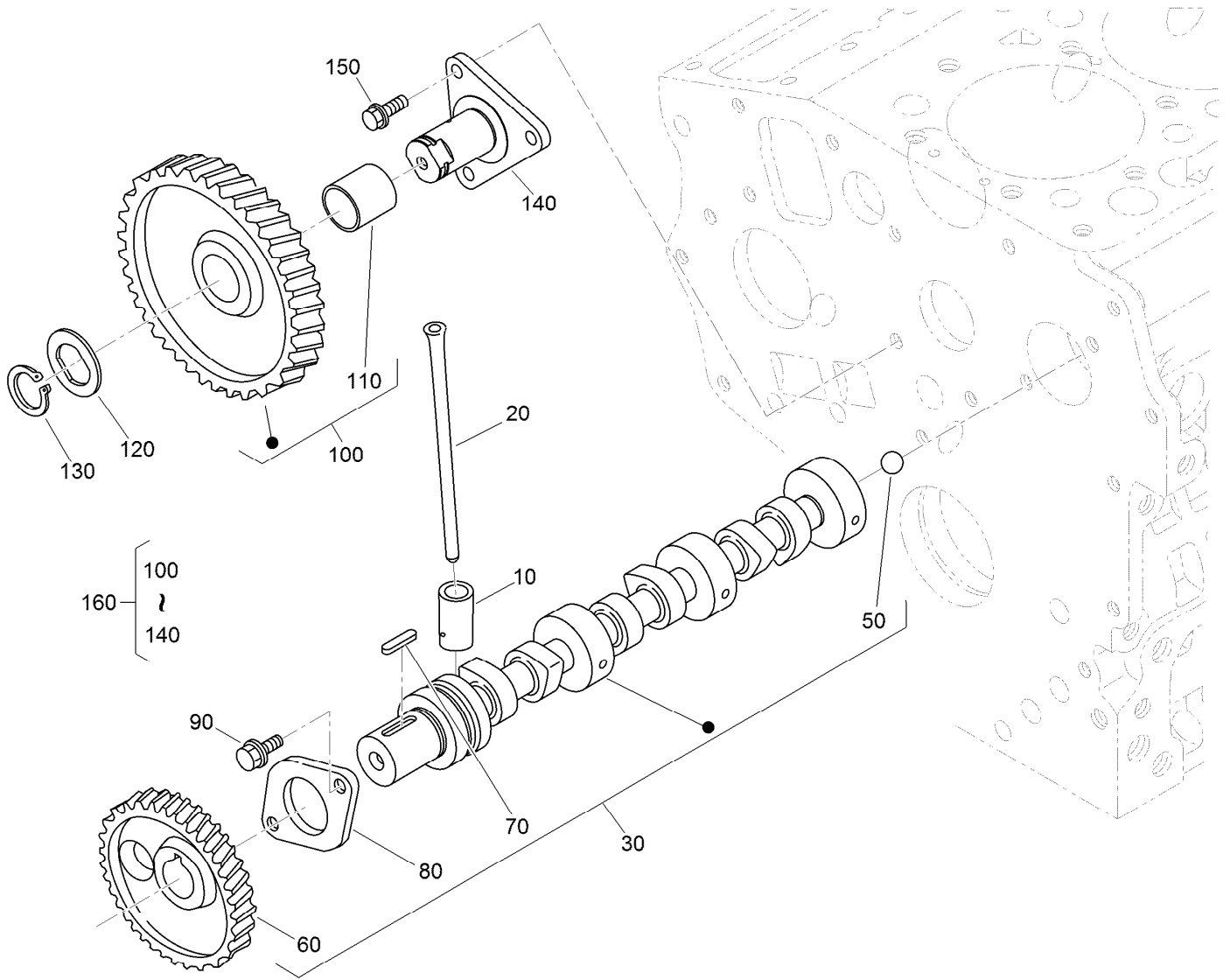
Cylinder Head Cover Assembly

| Ref. | Part Number | Qty. | Description |
|------|-------------|------|-------------------------|
| 10 | 120-3139 | 1 | Tube-Breather |
| 20 | 110-3712 | 2 | Clamp-Hose |
| 30 | 112-8332 | 1 | Cylinder Head Cover ASM |
| 40 | 98-9580 | 1 | Pipe-Return, Water |
| 50 | 110-3714 | 1 | Cover-Breather |
| 60 | 110-3715 | 1 | Valve-Breather |
| 70 | 98-9364 | 4 | Screw (With Washer) |
| 100 | 112-2521 | 1 | Gasket-Cover, Head |
| 110 | 108-7063 | 4 | Bolt |
| 120 | 107-9075 | 1 | Plug-Filler, Oil |
| 130 | 99-3446 | 1 | O-Ring |



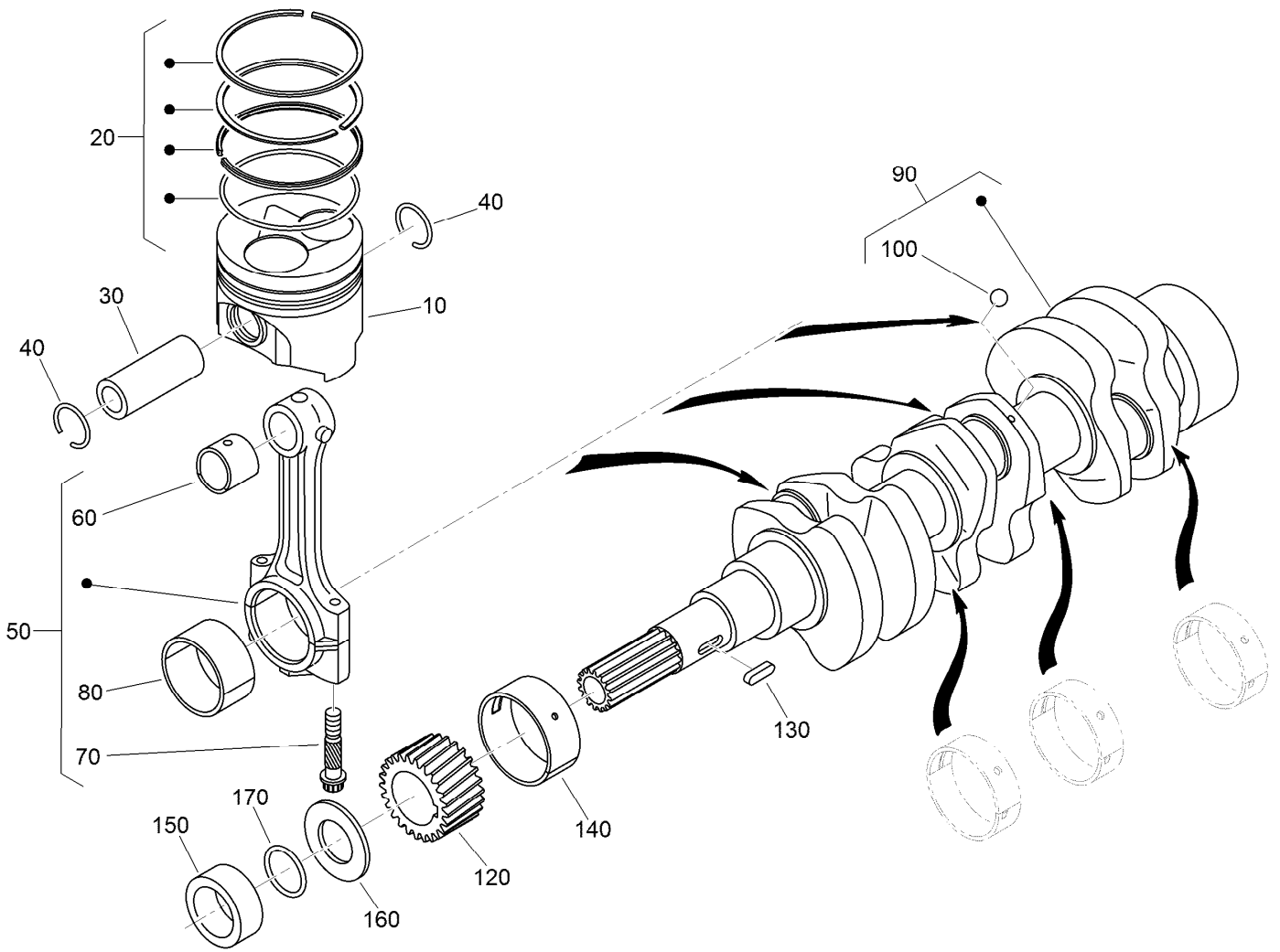
Main Bearing Case Assembly

| <i>Ref.</i> | <i>Part Number</i> | <i>Qty.</i> | <i>Description</i> | <i>Ref.</i> | <i>Part Number</i> | <i>Qty.</i> | <i>Description</i> |
|-------------|--------------------|-------------|--------------------------------|-------------|--------------------|-------------|--------------------------------|
| 10 | 125-9064 | 1 | Wheel Bearing Case ASM | 105 | 110-3741 | 1 | Crankshaft Metal ASM (STD) |
| 20 | 125-9065 | 2 | Bolt-Flange | 105 | 125-9083 | 1 | Crankshaft Metal ASM (-0.20Mm) |
| 23 | 125-9082 | 2 | Pin-Straight | 105 | 110-3743 | 1 | Crankshaft Metal ASM (-0.40Mm) |
| 25 | 125-9066 | 1 | Crankshaft Metal ASM (STD) | 110 | 125-9069 | 1 | Main Case Bearing ASM |
| 25 | 125-9067 | 1 | Crankshaft Metal ASM (-0.20Mm) | 120 | 110-3723 | 2 | Bolt-Case, Bearing |
| 25 | 125-9068 | 1 | Crankshaft Metal ASM (-0.40Mm) | 125 | 110-3741 | 1 | Crankshaft Metal ASM (STD) |
| 30 | 100-1873 | 1 | Gasket-Case, Bearing | 125 | 125-9083 | 1 | Crankshaft Metal ASM (-0.20Mm) |
| 40 | 112-8334 | 1 | Cover-Case, Bearing | 125 | 110-3743 | 1 | Crankshaft Metal ASM (-0.40Mm) |
| 50 | 110-3724 | 1 | Seal-Oil | 130 | 100-1874 | 2 | Bolt-Case, Bearing |
| 60 | 100-1876 | 1 | Gasket-Cover, Case | | | | |
| 80 | 100-1750 | 16 | Bolt | | | | |
| 90 | 110-3725 | 1 | Main Bearing Case ASM | | | | |
| 100 | 110-3723 | 2 | Bolt-Case, Bearing | | | | |



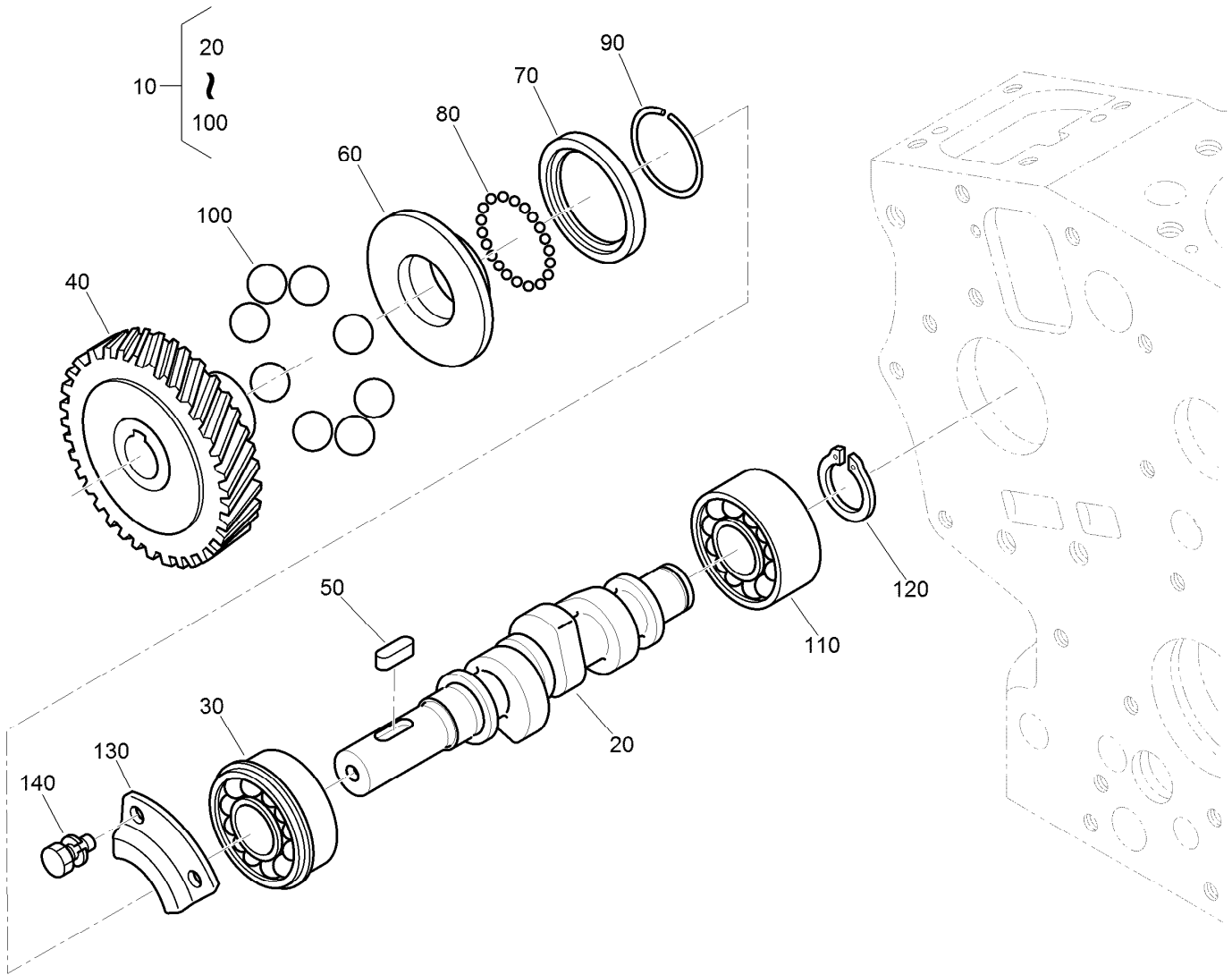
Camshaft and Idle Gear Shaft Assembly

| Ref. | Part Number | Qty. | Description |
|------|-------------|------|-------------------|
| 10 | 110-3727 | 6 | Tappet |
| 20 | 100-1989 | 6 | Rod-Push |
| 30 | 120-3126 | 1 | Camshaft ASM |
| 50 | 110-3729 | 1 | Ball |
| 60 | 130-1534 | 1 | Gear-Cam |
| 70 | 98-9378 | 1 | Key-Feather |
| 80 | 100-1887 | 1 | Stopper-Camshaft |
| 90 | 98-9350 | 2 | Bolt |
| 100 | 121-2421 | 1 | Idle Gear ASM |
| 110 | 121-2422 | 1 | Bushing |
| 120 | 100-1970 | 1 | Collar-Gear, Idle |
| 130 | 100-1969 | 1 | Ring-Snap |
| 140 | 100-1967 | 1 | Shaft-Gear, Idle |
| 150 | 100-1774 | 3 | Bolt-Flange |
| 160 | 100-2240 | 1 | Idle Gear ASM |



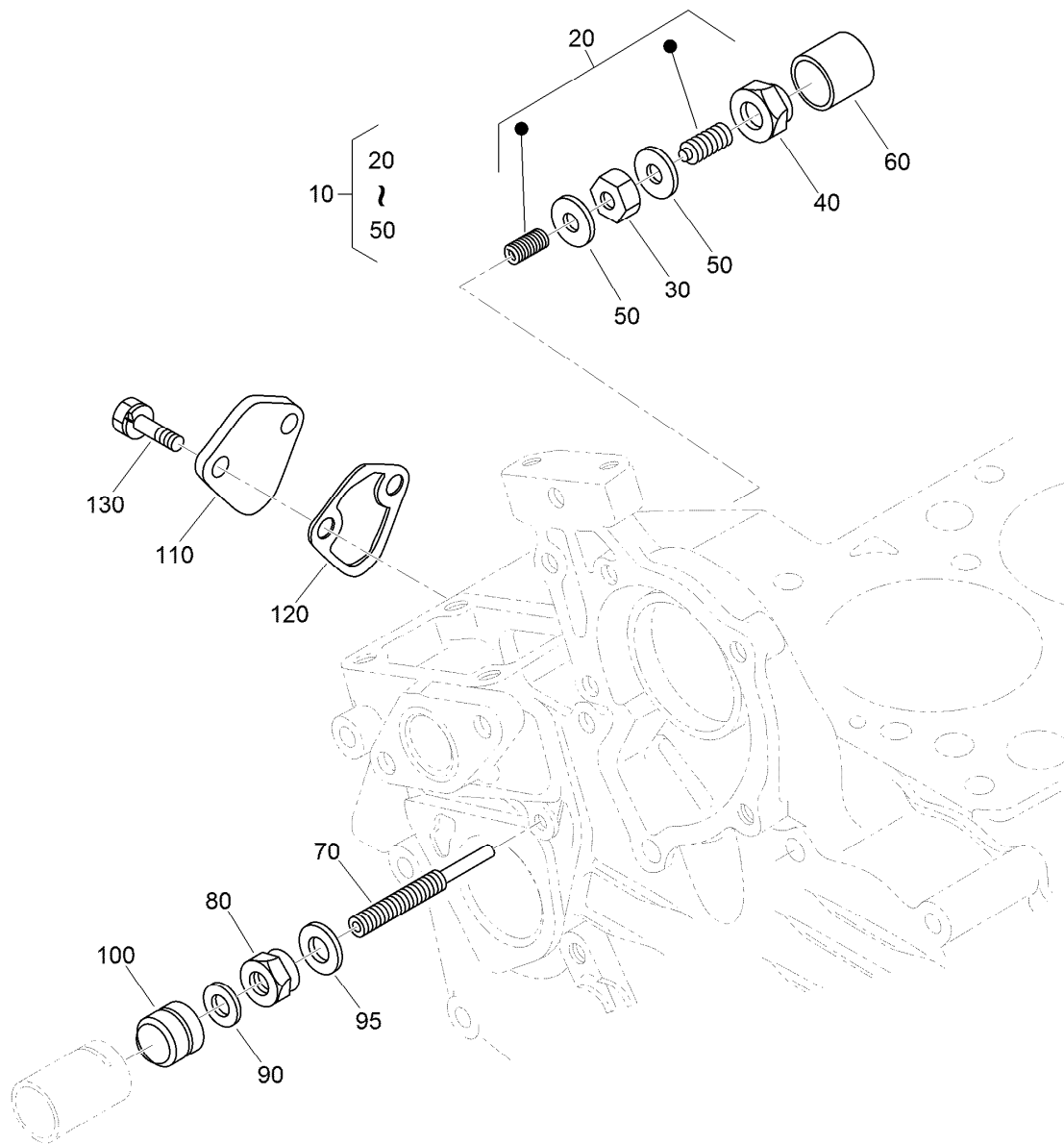
Piston and Crankshaft Assembly

| <i>Ref.</i> | <i>Part Number</i> | <i>Qty.</i> | <i>Description</i> | <i>Ref.</i> | <i>Part Number</i> | <i>Qty.</i> | <i>Description</i> |
|-------------|--------------------|-------------|-------------------------|-------------|--------------------|-------------|---------------------------|
| 10 | 130-1518 | 3 | Piston | 80 | 121-2420 | 3 | Metal-Crankpin (-.40MM) |
| 10 | 130-1520 | 3 | Piston | 90 | 117-0308 | 1 | Crankshaft |
| 20 | 130-1516 | 3 | Piston Ring ASM | 100 | 100-1791 | 3 | Ball |
| 20 | 130-1517 | 3 | Piston Ring ASM | 120 | 100-1891 | 1 | Gear-Crankshaft |
| 30 | 110-3734 | 3 | Pin-Piston | 130 | 100-1752 | 1 | Key-Feather |
| 40 | 100-1835 | 6 | Circlip-Internal | 140 | 110-3738 | 1 | Metal-Crankshaft (STD) |
| 50 | 125-9070 | 3 | Connecting Rod ASM | 140 | 121-2424 | 1 | Metal-Crankshaft (-.20MM) |
| 60 | 110-3736 | 3 | Bushing-Pin, Piston | 140 | 121-2425 | 1 | Metal-Crankshaft (-.40MM) |
| 70 | 100-1999 | 6 | Bolt-Rod, Connecting | 150 | 100-1890 | 1 | Collar-Crankshaft |
| 80 | 100-2000 | 3 | Metal-Crankpin (STD) | 160 | 100-1974 | 1 | Slinger-Oil |
| 80 | 121-3849 | 3 | Metal-Crankpin (-.20MM) | 170 | 100-2209 | 1 | O-Ring |



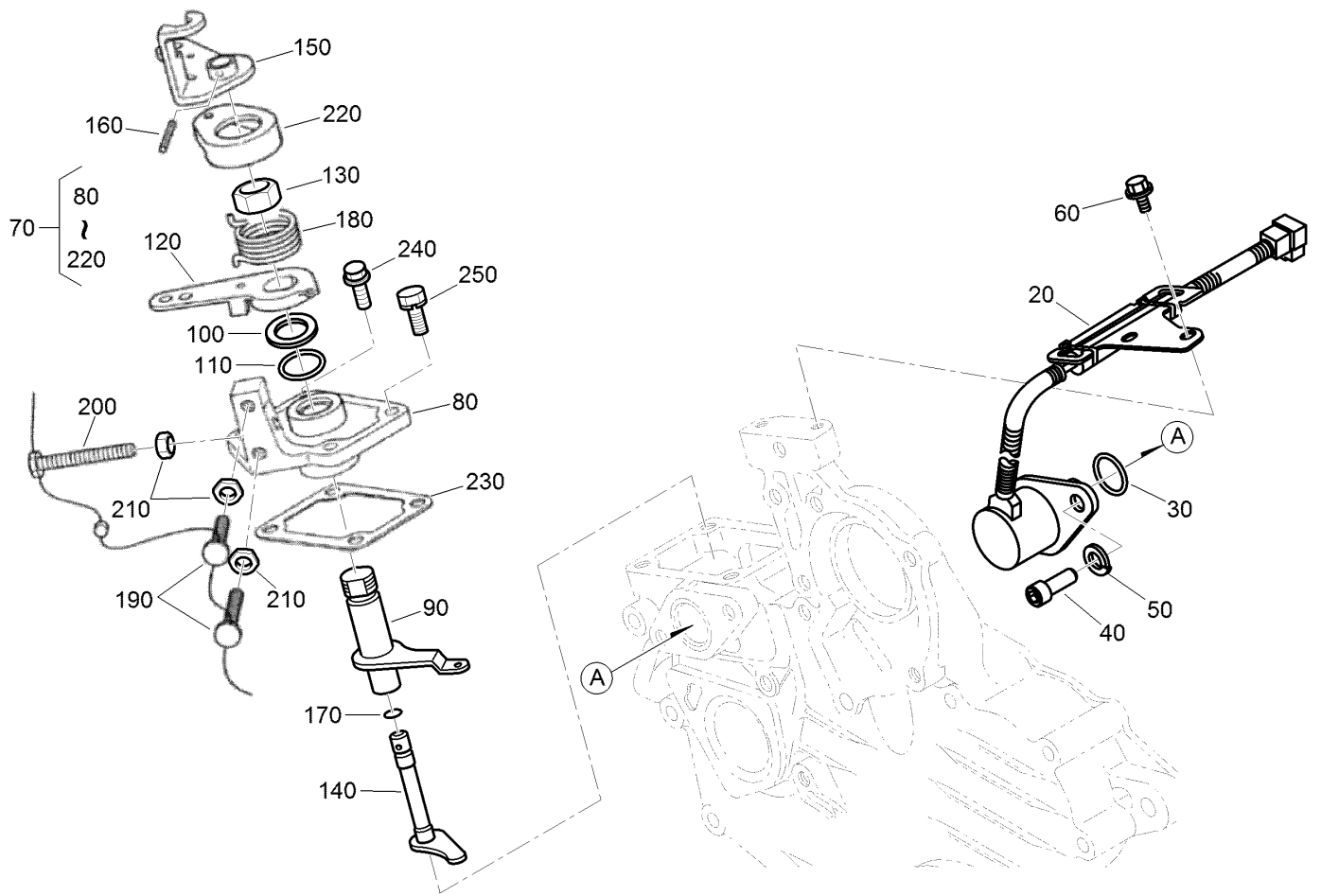
Fuel Camshaft Assembly

| <i>Ref.</i> | <i>Part Number</i> | <i>Qty.</i> | <i>Description</i> |
|-------------|--------------------|-------------|------------------------|
| 10 | 112-8335 | 1 | Fuel Camshaft ASM |
| 20 | 110-3756 | 1 | Camshaft-Fuel |
| 30 | 100-1795 | 1 | Bearing-Ball |
| 40 | 100-2006 | 1 | Gear-Pump, Injection |
| 50 | 100-1752 | 1 | Key-Feather |
| 60 | 112-8336 | 1 | Sleeve-Governor |
| 70 | 100-1904 | 1 | Case-Ball, Governor |
| 80 | 100-1790 | 32 | Ball |
| 90 | 100-1843 | 1 | Circ-Clip |
| 100 | 100-1793 | 8 | Ball |
| 110 | 110-3757 | 1 | Bearing-Ball |
| 120 | 100-1784 | 1 | Circ-Clip, External |
| 130 | 100-1888 | 1 | Stopper-Fuel, Camshaft |
| 140 | 98-9350 | 2 | Bolt |



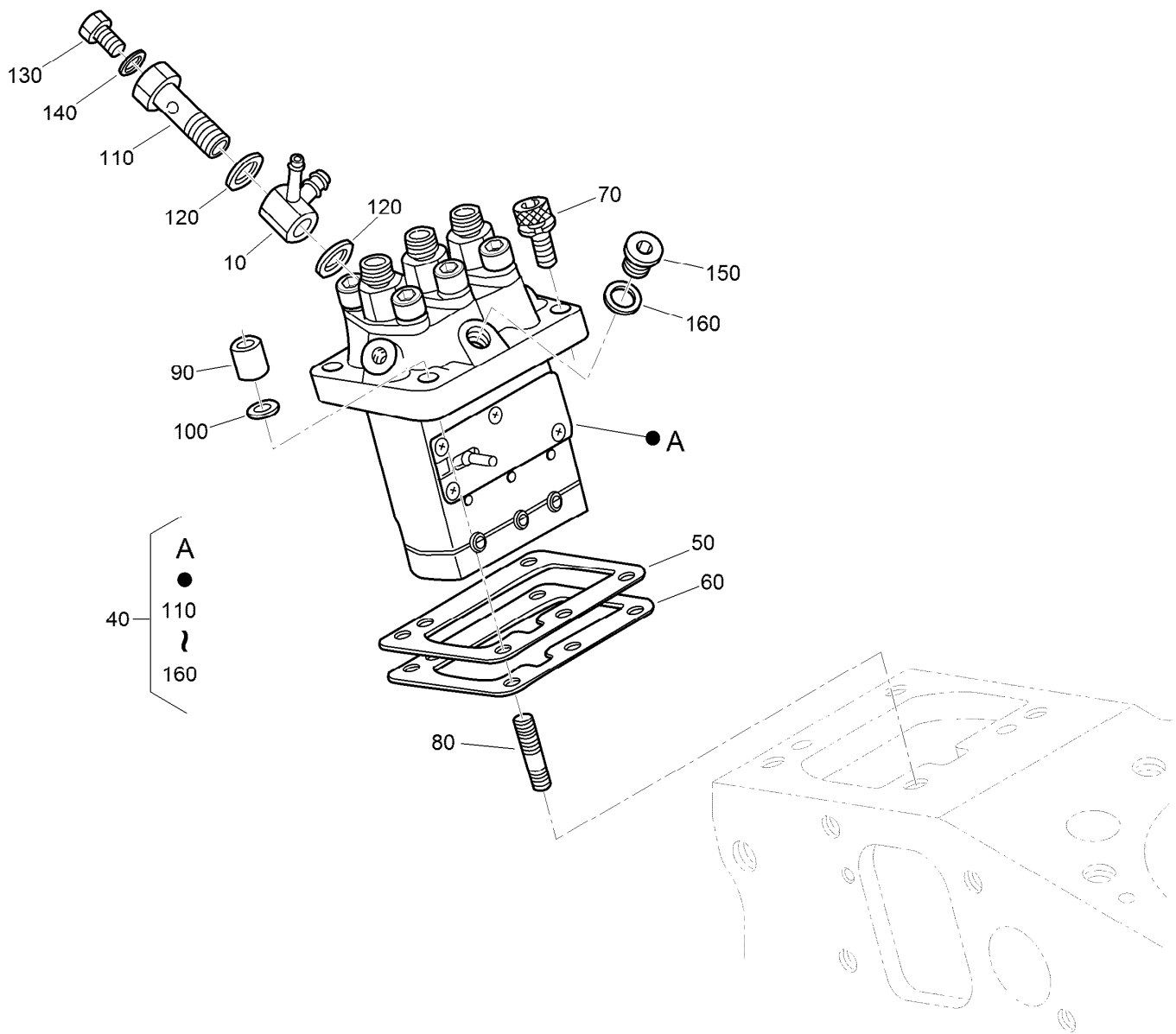
Idle Apparatus and Fuel Pump Cover Assembly

| Ref. | Part Number | Qty. | Description |
|------|-------------|------|--------------------|
| 10 | 100-1898 | 1 | Idle Apparatus ASM |
| 20 | 100-1899 | 1 | Adjusting Bolt ASM |
| 30 | 100-1846 | 1 | Nut |
| 40 | 100-1901 | 1 | Nut-Cap |
| 50 | 98-7428 | 2 | Gasket |
| 60 | 100-1902 | 1 | Cap |
| 70 | 110-3758 | 1 | Bolt-Adjusting |
| 80 | 100-2175 | 1 | Nut-Lock |
| 90 | 98-7654 | 1 | Gasket |
| 95 | 107-9081 | 1 | Gasket |
| 100 | 99-8387 | 1 | Nut-Cap |
| 110 | 99-3514 | 1 | Cover |
| 120 | 98-9636 | 1 | Gasket-Pump, Fuel |
| 130 | 98-7692 | 2 | Bolt |



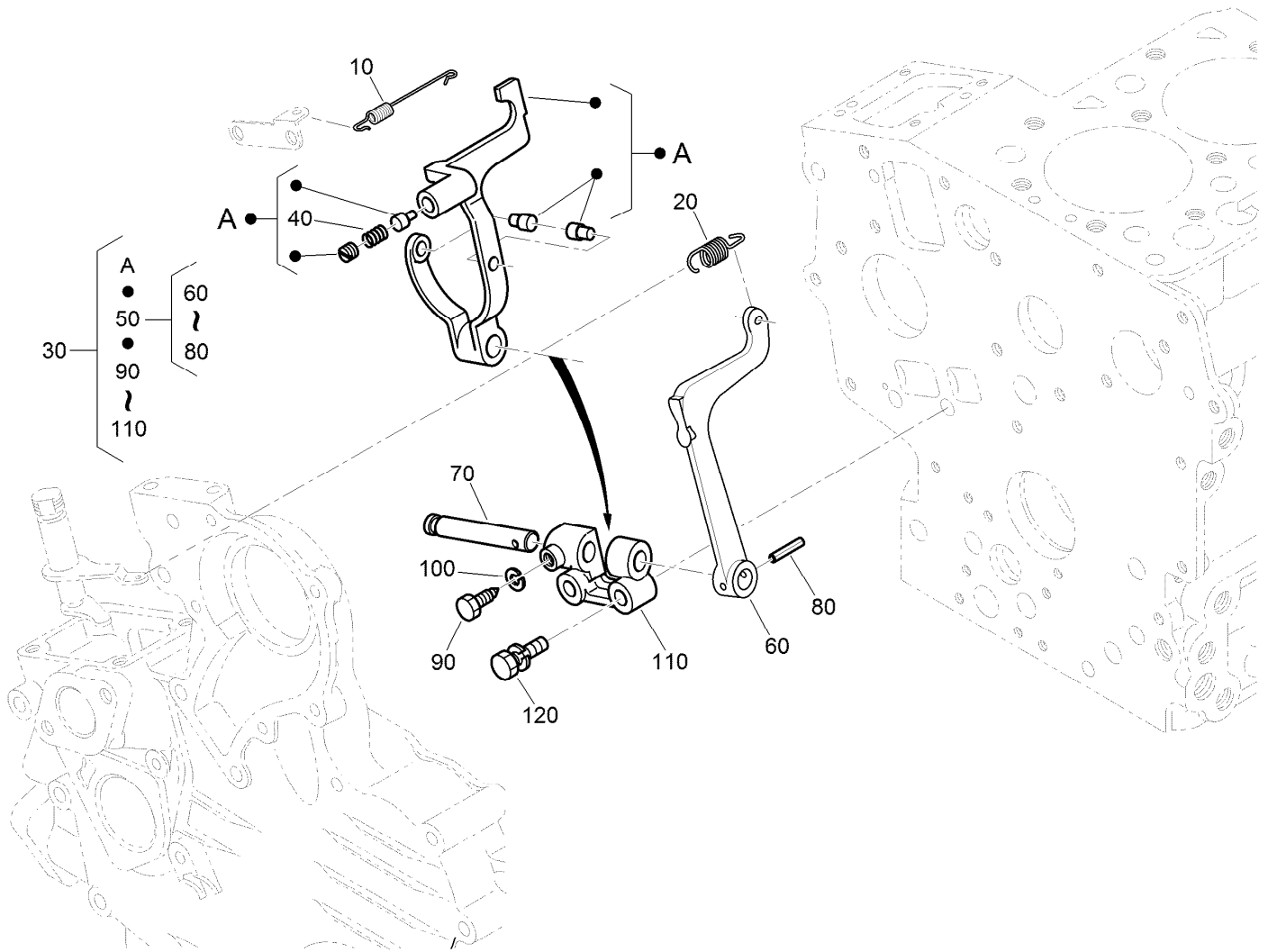
Stop Solenoid and Speed Control Plate Assembly

| <i>Ref.</i> | <i>Part Number</i> | <i>Qty.</i> | <i>Description</i> |
|-------------|--------------------|-------------|-------------------------|
| 20 | 117-2719 | 1 | Solenoid Stop ASM |
| 30 | 110-3762 | 1 | O-Ring |
| 40 | 110-3763 | 2 | Bolt-HSH |
| 50 | 98-7699 | 2 | Washer-Spring |
| 60 | 100-1774 | 2 | Bolt-Flange |
| 70 | 110-3769 | 1 | Speed Control Plate ASM |
| 80 | 110-3770 | 1 | Plate-Control, Speed |
| 90 | 110-3771 | 1 | Lever-Governor |
| 100 | 110-3772 | 1 | Collar |
| 110 | 100-2208 | 1 | O-Ring |
| 120 | 110-3773 | 1 | Lever-Control, Speed |
| 130 | 110-3774 | 1 | Nut-Control, Speed |
| 140 | 110-3775 | 1 | Shaft-Lever |
| 150 | 110-3776 | 1 | Lever-Stop, Engine |
| 160 | 110-3777 | 1 | Pin-Spring |
| 170 | 100-2207 | 1 | O-Ring |
| 180 | 110-3778 | 1 | Spring-Return |
| 190 | 120-3133 | 2 | Screw-Stopper |
| 200 | 120-3134 | 1 | Bolt |
| 210 | 98-7572 | 3 | Nut |
| 220 | 110-3779 | 1 | Cap |
| 230 | 100-1962 | 1 | Gasket-Plate, Control |
| 240 | 127-0403 | 2 | Bolt-Flange |
| 250 | 112-2507 | 2 | Bolt |



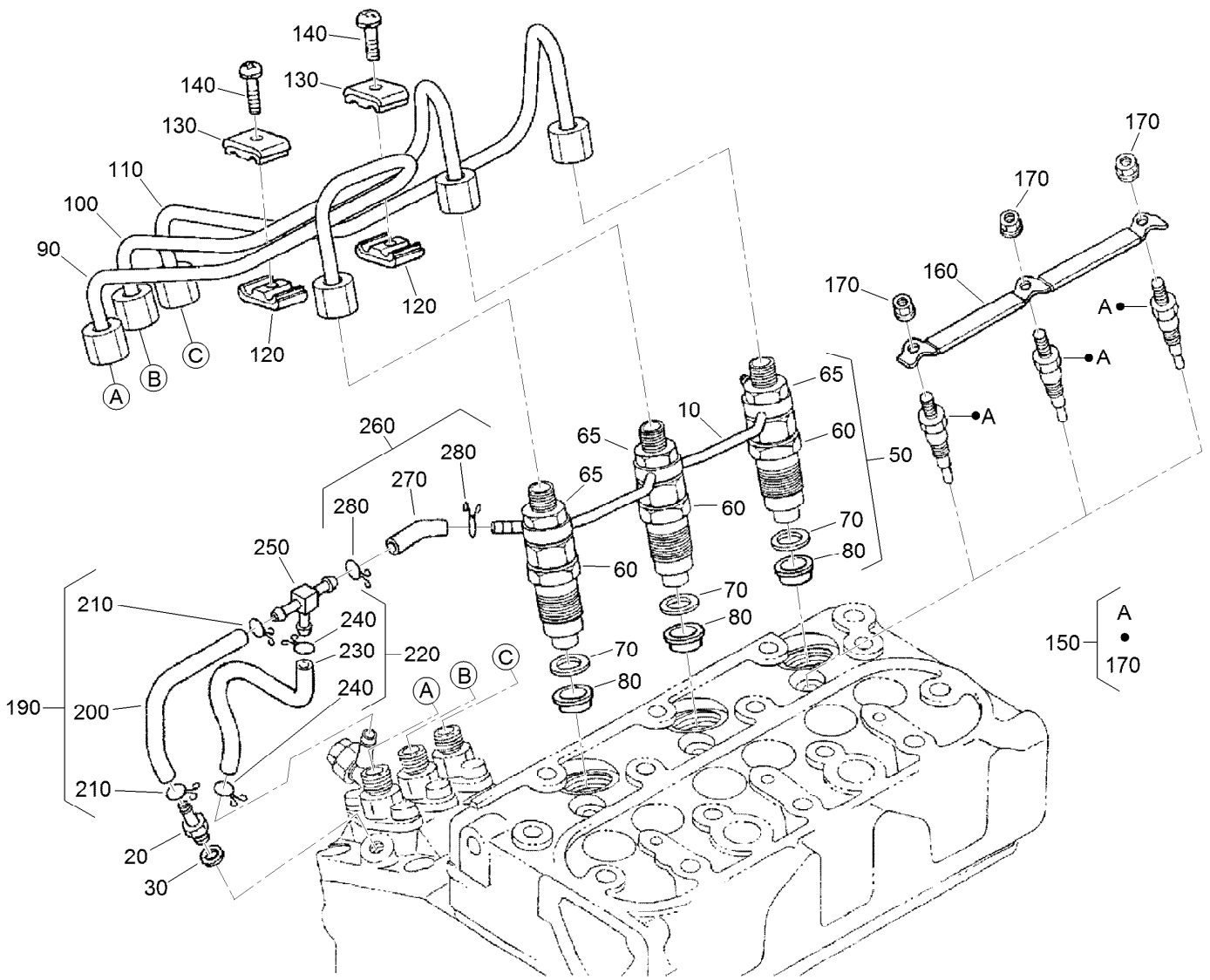
Injection Pump Assembly

| <i>Ref.</i> | <i>Part Number</i> | <i>Qty.</i> | <i>Description</i> | <i>Ref.</i> | <i>Part Number</i> | <i>Qty.</i> | <i>Description</i> |
|-------------|--------------------|-------------|--------------------------|-------------|--------------------|-------------|--------------------|
| 10 | 110-3764 | 1 | Joint | 90 | 98-9440 | 2 | Nut-Cap |
| 40 | 110-3765 | 1 | Injection Pump ASM | 100 | 98-7699 | 2 | Washer-Spring |
| 50 | 115-3045 | 1 | Shim-Injection (0.175MM) | 110 | 100-1896 | 1 | Screw-Hollow |
| 50 | 98-9456 | 1 | Shim-Injection (0.20MM) | 120 | 98-9445 | 2 | Gasket |
| 50 | 98-9457 | 1 | Shim-Injection (0.25MM) | 130 | 98-9430 | 1 | Screw |
| 60 | 98-9458 | 1 | Shim-Injection (0.30MM) | 140 | 98-9446 | 1 | Gasket |
| 60 | 115-3046 | 1 | Shim-Injection (0.35MM) | 150 | 98-9466 | 1 | Plug |
| 70 | 117-7564 | 2 | Bolt-Hex Soc HD | 160 | 98-9451 | 1 | Gasket |
| 80 | 98-9438 | 2 | Stud | | | | |



Governor Assembly

| Ref. | Part Number | Qty. | Description |
|------|-------------|------|---------------------|
| 10 | 110-3766 | 1 | Spring-Start |
| 20 | 130-1220 | 1 | Spring-Governor |
| 30 | 121-3822 | 1 | Fork Lever ASM |
| 40 | 121-2410 | 1 | Spring |
| 50 | 100-1905 | 1 | Fork Lever ASM |
| 60 | 100-1907 | 1 | Lever-Fork |
| 70 | 100-1908 | 1 | Shaft-Lever, Fork |
| 80 | 100-1751 | 1 | Pin-Spring |
| 90 | 100-1845 | 1 | Bolt |
| 100 | 127-0408 | 1 | Washer-Lock, Spring |
| 110 | 100-1909 | 1 | Holder-Lever, Fork |
| 120 | 100-1763 | 2 | Bolt |

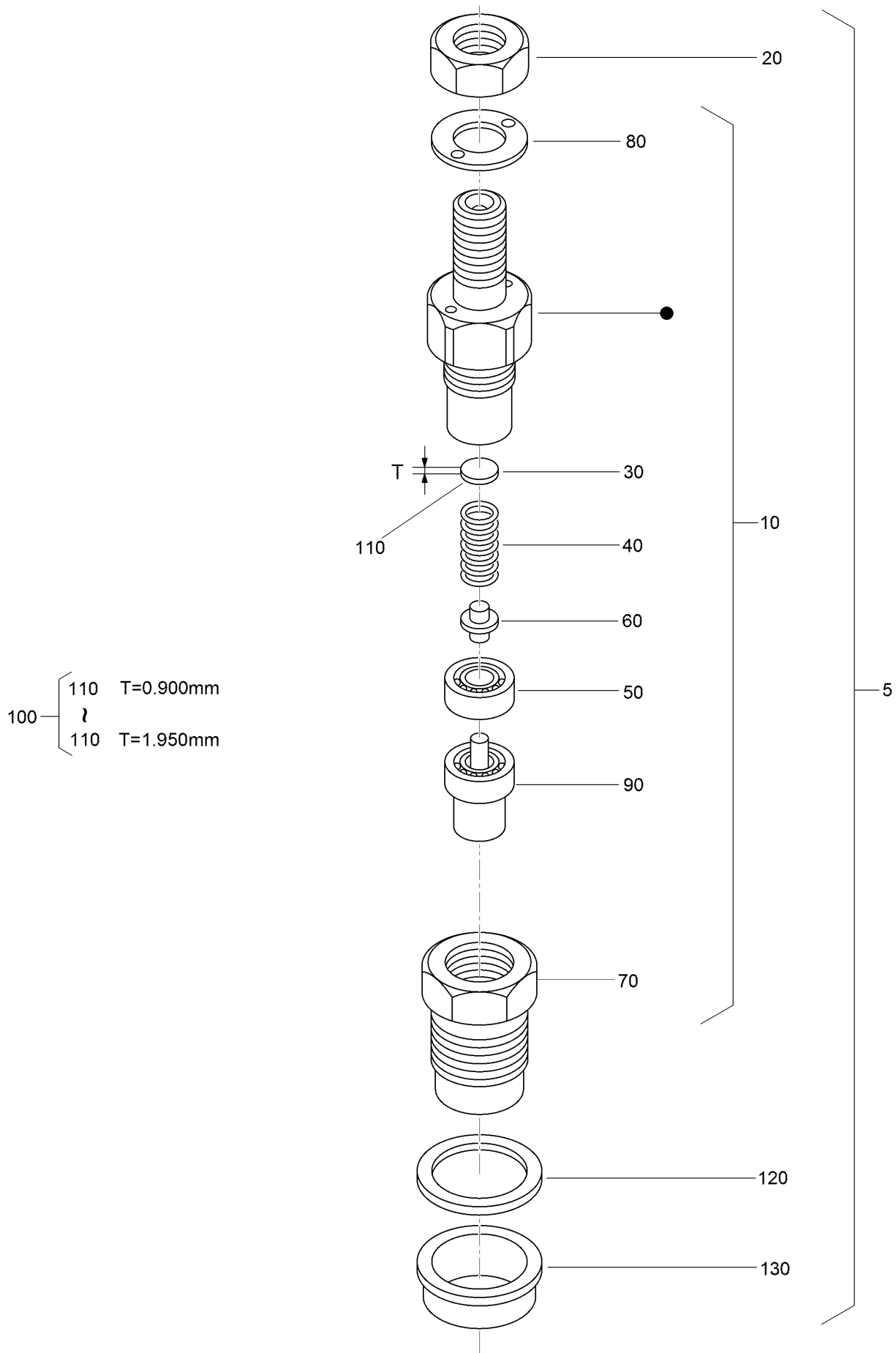


Nozzle Holder and Glow Plug Assembly

| Ref. | Part Number | Qty. | Description |
|------|-------------|------|--------------------|
| 10 | 110-3780 | 1 | Over Flow Pipe ASM |
| 20 | 98-9431 | 1 | Screw-Bleeder, Air |
| 30 | 98-7654 | 1 | Gasket |
| 50 | 130-1305 | 3 | Nozzle Holder Kit |
| 60 | 130-1303 | 3 | Nozzle Holder ASM |
| 65 | 121-2411 | 3 | Nut |
| 70 | 98-7676 | 3 | Gasket |
| 80 | 98-7677 | 3 | Seal-Heat |
| 90 | 130-1522 | 1 | Pipe-Injection |
| 100 | 130-1523 | 1 | Pipe-Injection |
| 110 | 130-1541 | 1 | Pipe-Injection |
| 120 | 98-7682 | 2 | Clamp-Pipe |
| 130 | 98-7683 | 2 | Clamp-Pipe |
| 140 | 98-7684 | 2 | Screw (W/Washer) |

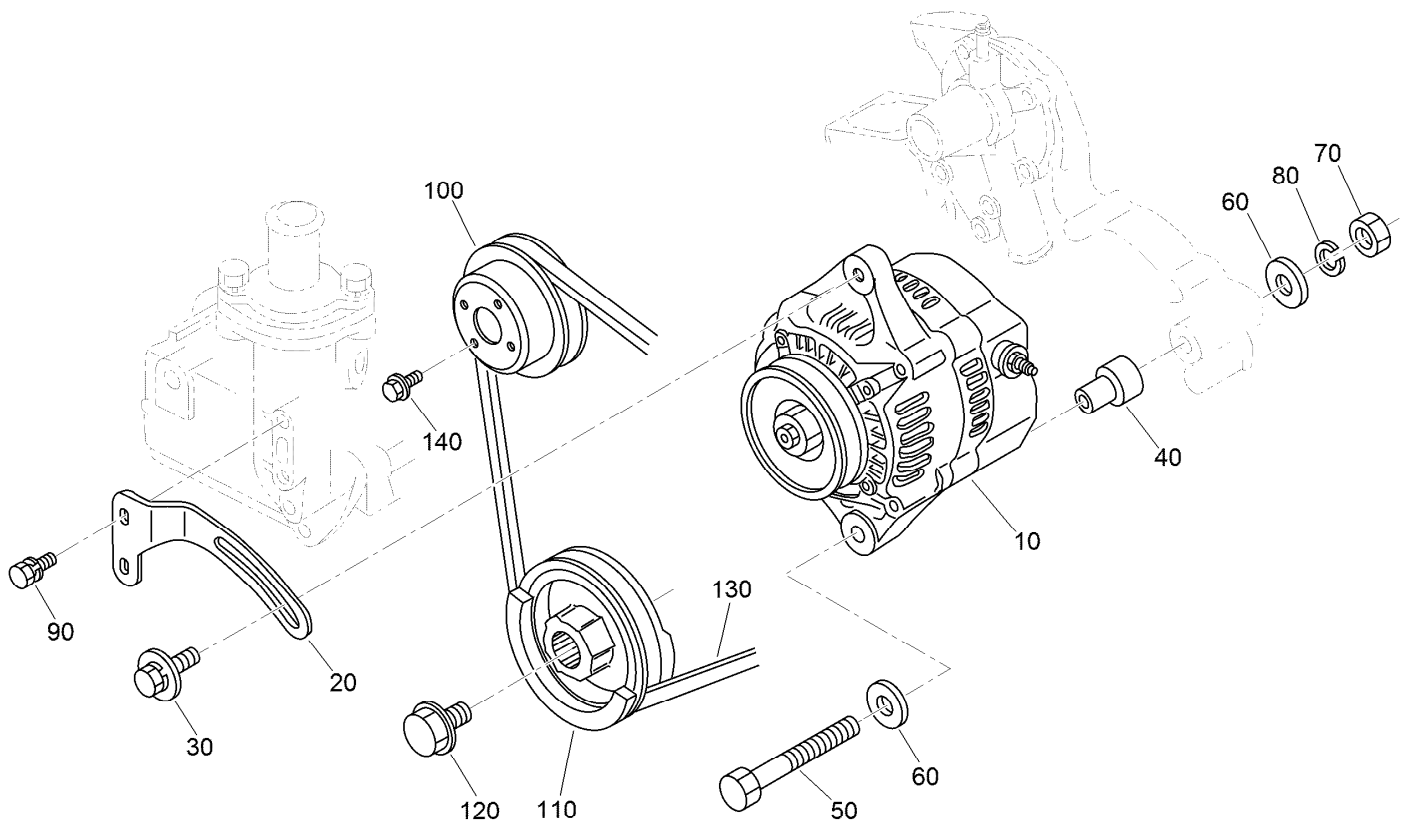
| Ref. | Part Number | Qty. | Description |
|------|-------------|------|-----------------|
| 150 | 130-1411 | 3 | Plug-Glow |
| 160 | 110-3784 | 1 | Cord-Plug, Glow |
| 170 | 99-8377 | 3 | Nut-Flange |
| 190 | 110-3785 | 1 | Fuel Tube ASM |
| 200 | 110-3786 | 1 | Tube-Fuel |
| 210 | 98-7671 | 2 | Clip-Pipe |
| 220 | 110-3787 | 1 | Fuel Tube ASM |
| 230 | 110-3788 | 1 | Tube-Fuel |
| 240 | 98-7671 | 2 | Clip-Pipe |
| 250 | 112-8338 | 1 | Pipe-Joint, T |
| 260 | 110-3790 | 1 | Fuel Tube ASM |
| 270 | 110-3791 | 1 | Tube-Fuel |
| 280 | 98-7671 | 2 | Clip-Pipe |

Nozzle Holder Assembly



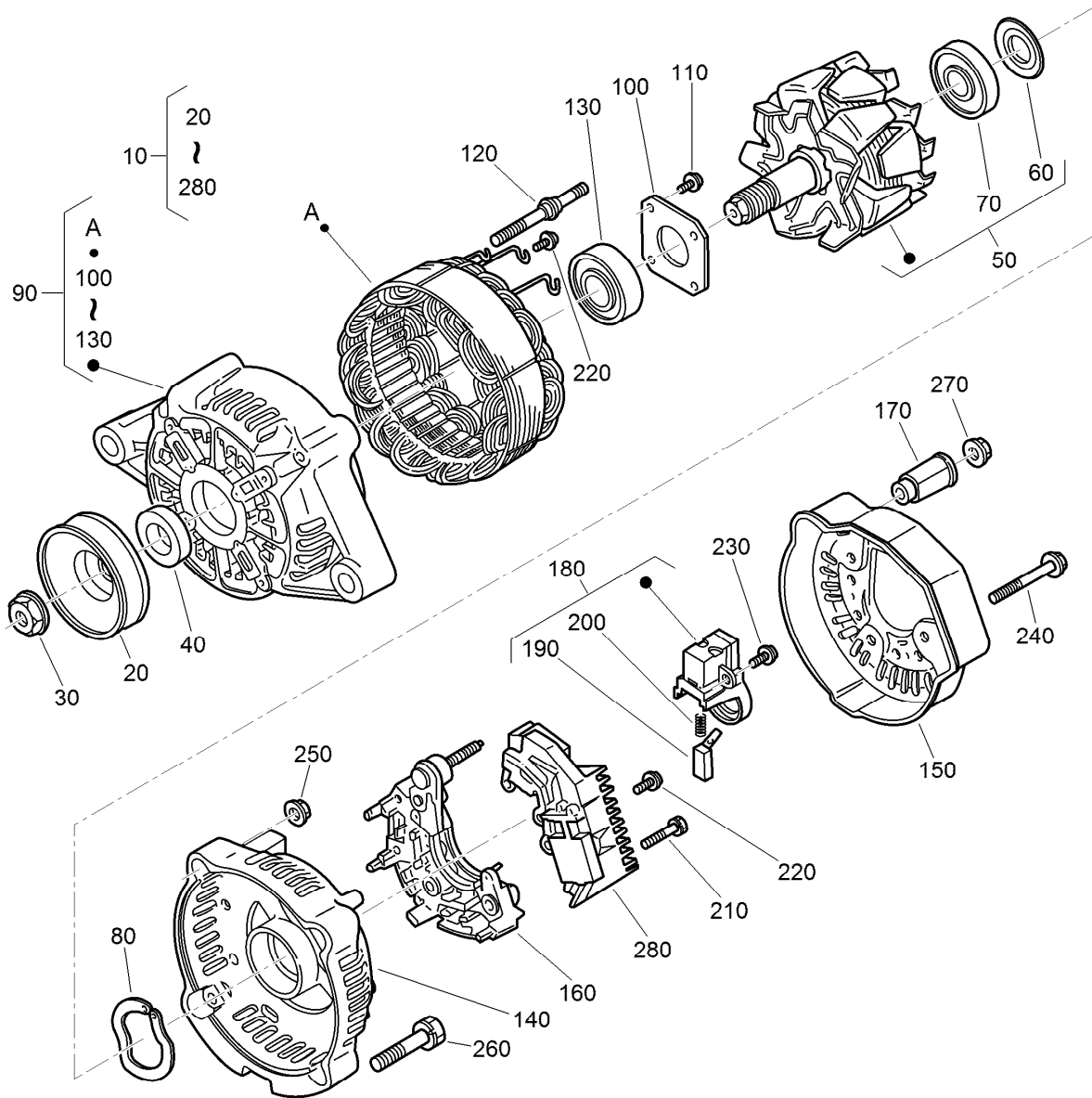
Nozzle Holder Assembly (continued)

| <i>Ref.</i> | <i>Part Number</i> | <i>Qty.</i> | <i>Description</i> | <i>Ref.</i> | <i>Part Number</i> | <i>Qty.</i> | <i>Description</i> |
|-------------|--------------------|-------------|----------------------------|-------------|--------------------|-------------|----------------------------|
| 5 | 130-1305 | 3 | Nozzle Holder Kit | 110 | 98-7860 | 3 | Washer-Adjusting (1.400MM) |
| 10 | 130-1303 | 3 | Nozzle Holder ASM | 110 | 98-7861 | 3 | Washer-Adjusting (1.425MM) |
| 20 | 121-2411 | 3 | Nut | 110 | 98-7862 | 3 | Washer-Adjusting (1.450MM) |
| 30 | 99-8302 | 3 | Washer-Adjusting | 110 | 98-7863 | 3 | Washer-Adjusting (1.475MM) |
| 40 | 99-8303 | 3 | Spring-Nozzle | 110 | 98-7864 | 3 | Washer-Adjusting (1.500MM) |
| 50 | 99-8304 | 3 | Spacer-Distance | 110 | 98-7865 | 3 | Washer-Adjusting (1.525MM) |
| 60 | 99-8305 | 3 | Rod-Push | 110 | 98-7866 | 3 | Washer-Adjusting (1.550MM) |
| 70 | 130-1304 | 3 | Nut-Nozzle | 110 | 98-7867 | 3 | Washer-Adjusting (1.575MM) |
| 80 | 99-8307 | 3 | Washer-Plain | 110 | 98-7868 | 3 | Washer-Adjusting (1.600MM) |
| 90 | 130-1497 | 3 | Nozzle-Piece | 110 | 98-7869 | 3 | Washer-Adjusting (1.625MM) |
| 100 | 98-9448 | 3 | Adjusting Washer ASM | 110 | 98-7870 | 3 | Washer-Adjusting (1.650MM) |
| 110 | 98-7642 | 3 | Washer-Adjusting (0.900Mm) | 110 | 98-7871 | 3 | Washer-Adjusting (1.675MM) |
| 110 | 98-7841 | 3 | Washer-Adjusting (0.925Mm) | 110 | 98-7872 | 3 | Washer-Adjusting (1.700MM) |
| 110 | 98-7842 | 3 | Washer-Adjusting (0.950Mm) | 110 | 98-7873 | 3 | Washer-Adjusting (1.725MM) |
| 110 | 98-7843 | 3 | Washer-Adjusting (0.975Mm) | 110 | 98-7874 | 3 | Washer-Adjusting (1.750MM) |
| 110 | 98-7844 | 3 | Washer-Adjusting (1.000Mm) | 110 | 98-7875 | 3 | Washer-Adjusting (1.775MM) |
| 110 | 98-7845 | 3 | Washer-Adjusting (1.025Mm) | 110 | 98-7876 | 33 | Washer-Adjusting (1.800MM) |
| 110 | 98-7846 | 3 | Washer-Adjusting (1.050Mm) | 110 | 98-7877 | 3 | Washer-Adjusting (1.825MM) |
| 110 | 98-7847 | 3 | Washer-Adjusting (1.075MM) | 110 | 98-7878 | 3 | Washer-Adjusting (1.850MM) |
| 110 | 98-7848 | 3 | Washer-Adjusting (1.100MM) | 110 | 98-7879 | 3 | Washer-Adjusting (1.875MM) |
| 110 | 98-7849 | 3 | Washer-Adjusting (1.125MM) | 110 | 98-7880 | 3 | Washer-Adjusting (1.900MM) |
| 110 | 98-7850 | 3 | Washer-Adjusting (1.150MM) | 110 | 98-7881 | 3 | Washer-Adjusting (1.925MM) |
| 110 | 98-7851 | 3 | Washer-Adjusting (1.175MM) | 110 | 98-7882 | 3 | Washer-Adjusting (1.950MM) |
| 110 | 98-7852 | 3 | Washer-Adjusting (1.200MM) | 120 | 98-7676 | 3 | Gasket |
| 110 | 98-7853 | 3 | Washer-Adjusting (1.225MM) | 130 | 98-7677 | 3 | Seal-Heat |
| 110 | 98-7854 | 3 | Washer-Adjusting (1.250MM) | | | | |
| 110 | 98-7855 | 3 | Washer-Adjusting (1.275MM) | | | | |
| 110 | 98-7856 | 3 | Washer-Adjusting 1.300MM) | | | | |
| 110 | 98-7857 | 3 | Washer-Adjusting (1.325MM) | | | | |
| 110 | 98-7858 | 3 | Washer-Adjusting (1.350MM) | | | | |
| 110 | 98-7859 | 3 | Washer-Adjusting (1.375MM) | | | | |



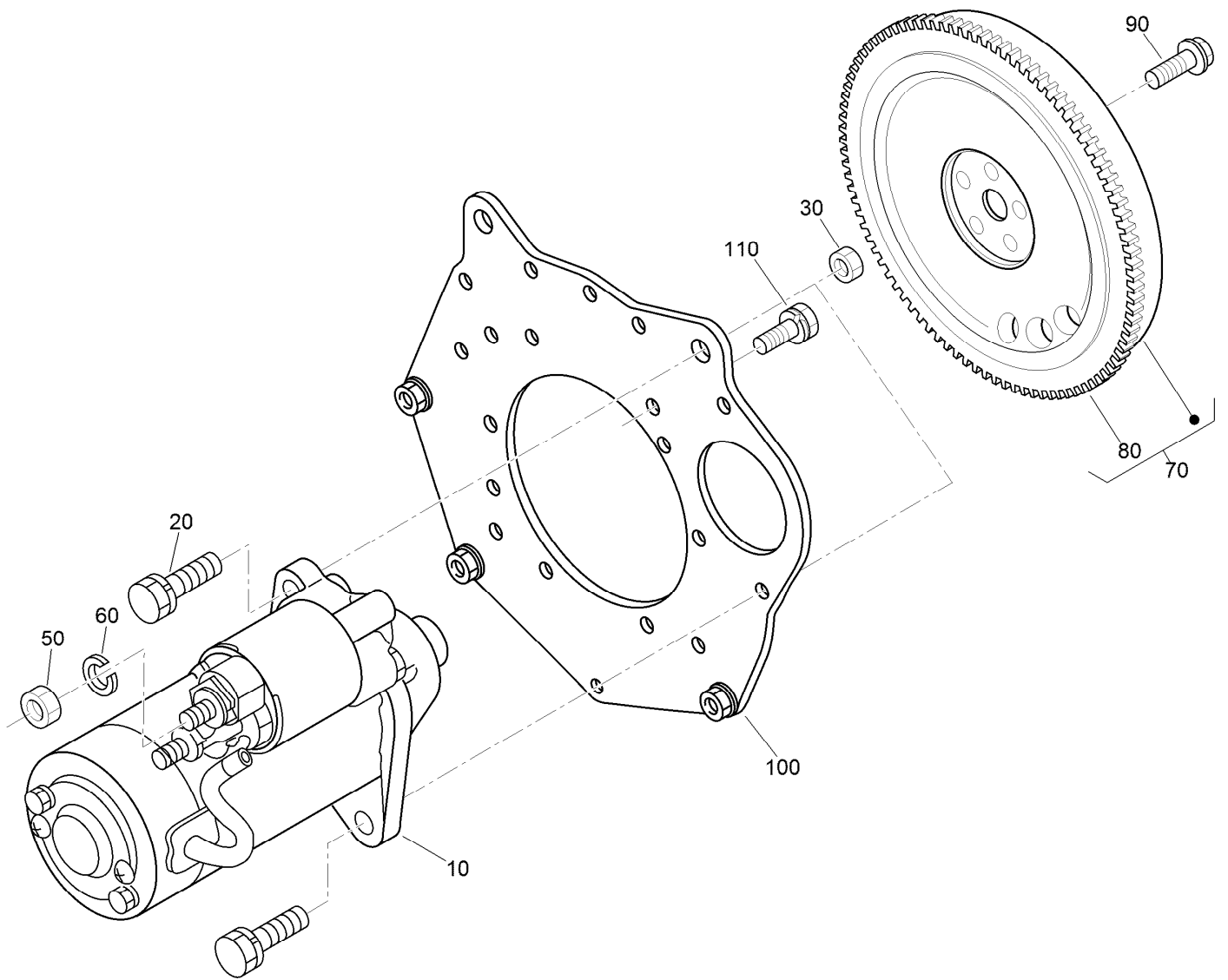
Alternator and Pulley Assembly

| <i>Ref.</i> | <i>Part Number</i> | <i>Qty.</i> | <i>Description</i> |
|-------------|--------------------|-------------|--------------------|
| 10 | 131-6557 | 1 | Alternator ASM |
| 20 | 121-2412 | 1 | Stay-Alternator |
| 30 | 121-2413 | 1 | Bolt |
| 40 | 110-3794 | 1 | Collar |
| 50 | 121-2418 | 1 | Bolt-Hex |
| 60 | 120-5832 | 2 | Washer-Plain |
| 70 | 98-7534 | 1 | Nut |
| 80 | 105-2893 | 1 | Washer-Spring |
| 90 | 98-7692 | 2 | Bolt |
| 100 | 100-1921 | 1 | Pulley-Fan |
| 110 | 112-2510 | 1 | Pulley-Drive, Fan |
| 120 | 100-1978 | 1 | Bolt |
| 130 | 119-4486 | 1 | Belt-V, Fan |
| 140 | 99-8363 | 4 | Bolt-Flange |



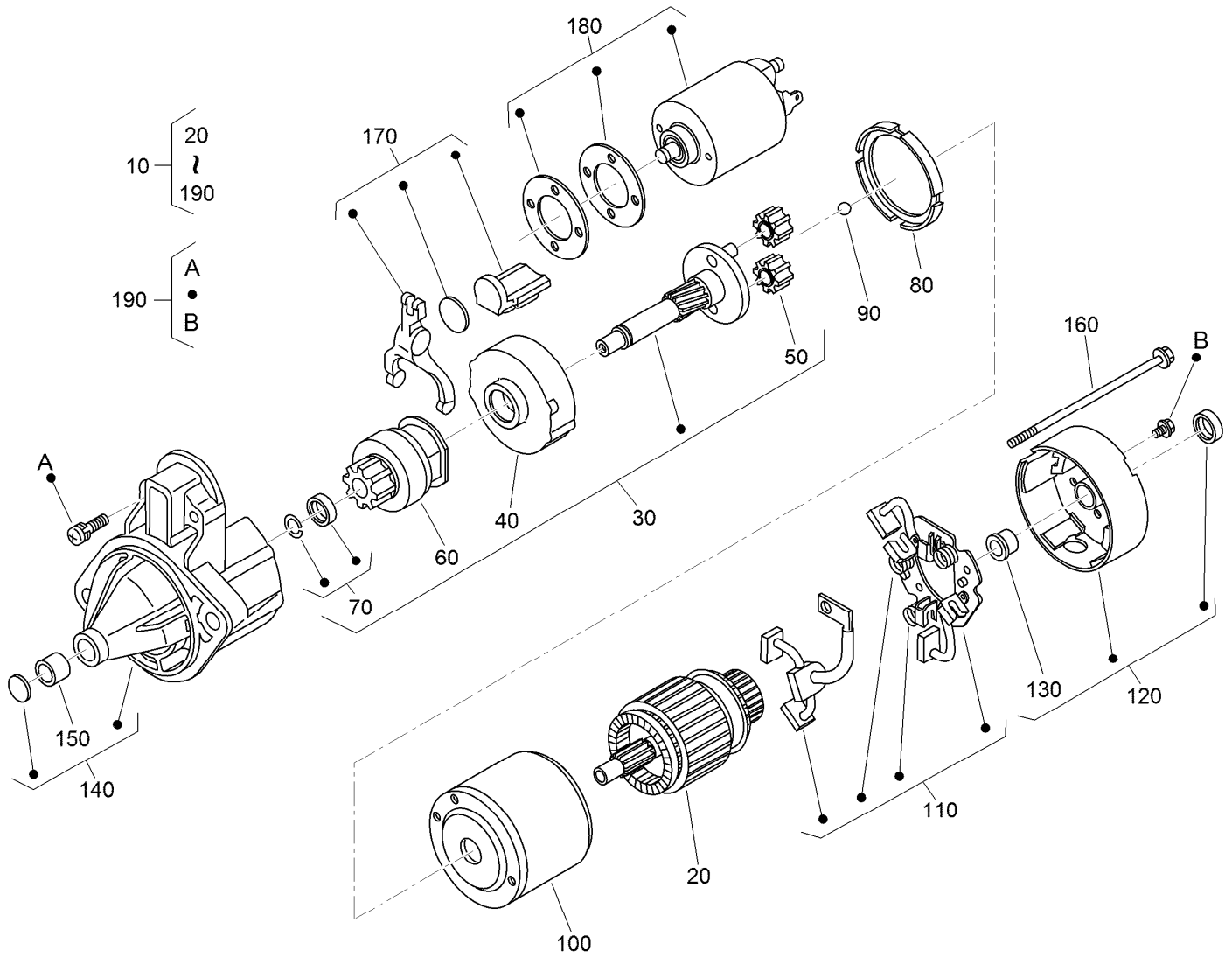
Alternator Assembly No. 131-6557

| Ref. | Part Number | Qty. | Description | Ref. | Part Number | Qty. | Description |
|------|-------------|------|---------------------|------|-------------|------|--------------------|
| 10 | 131-6557 | 1 | Alternator ASM | 150 | 107-0140 | 1 | Cover-End |
| 20 | 98-9453 | 1 | Pulley-Dynamo | 160 | 127-1612 | 1 | Rectifier ASM |
| 30 | 98-7708 | 1 | Nut | 170 | 98-7722 | 1 | Bushing-Insulation |
| 40 | 98-7709 | 1 | Collar | 180 | 107-0141 | 1 | Brush Holder ASM |
| 50 | 107-0136 | 1 | Rotor ASM | 190 | 98-7724 | 2 | Brush |
| 60 | 98-7711 | 1 | Cover-Bearing | 200 | 98-7725 | 2 | Spring-Brush |
| 70 | 107-0138 | 1 | Bearing-Ball | 210 | 98-7726 | 2 | Screw-Head, Round |
| 80 | 98-7713 | 1 | Washer-Thrust | 220 | 98-7727 | 6 | Screw-Head, Round |
| 90 | 107-0139 | 1 | Drive End Frame ASM | 230 | 98-7728 | 1 | Screw-Head, Round |
| 100 | 98-7715 | 1 | Plate-Retainer | 240 | 98-7729 | 3 | Bolt |
| 110 | 98-7716 | 4 | Screw-Head, Round | 250 | 98-7730 | 2 | Nut |
| 120 | 98-7717 | 2 | Bolt-Through | 260 | 98-7731 | 2 | Bolt |
| 130 | 133-2811 | 1 | Bearing | 270 | 98-7732 | 1 | Nut |
| 140 | 107-9087 | 1 | Frame-End | 280 | 110-3799 | 1 | Regulator ASM |



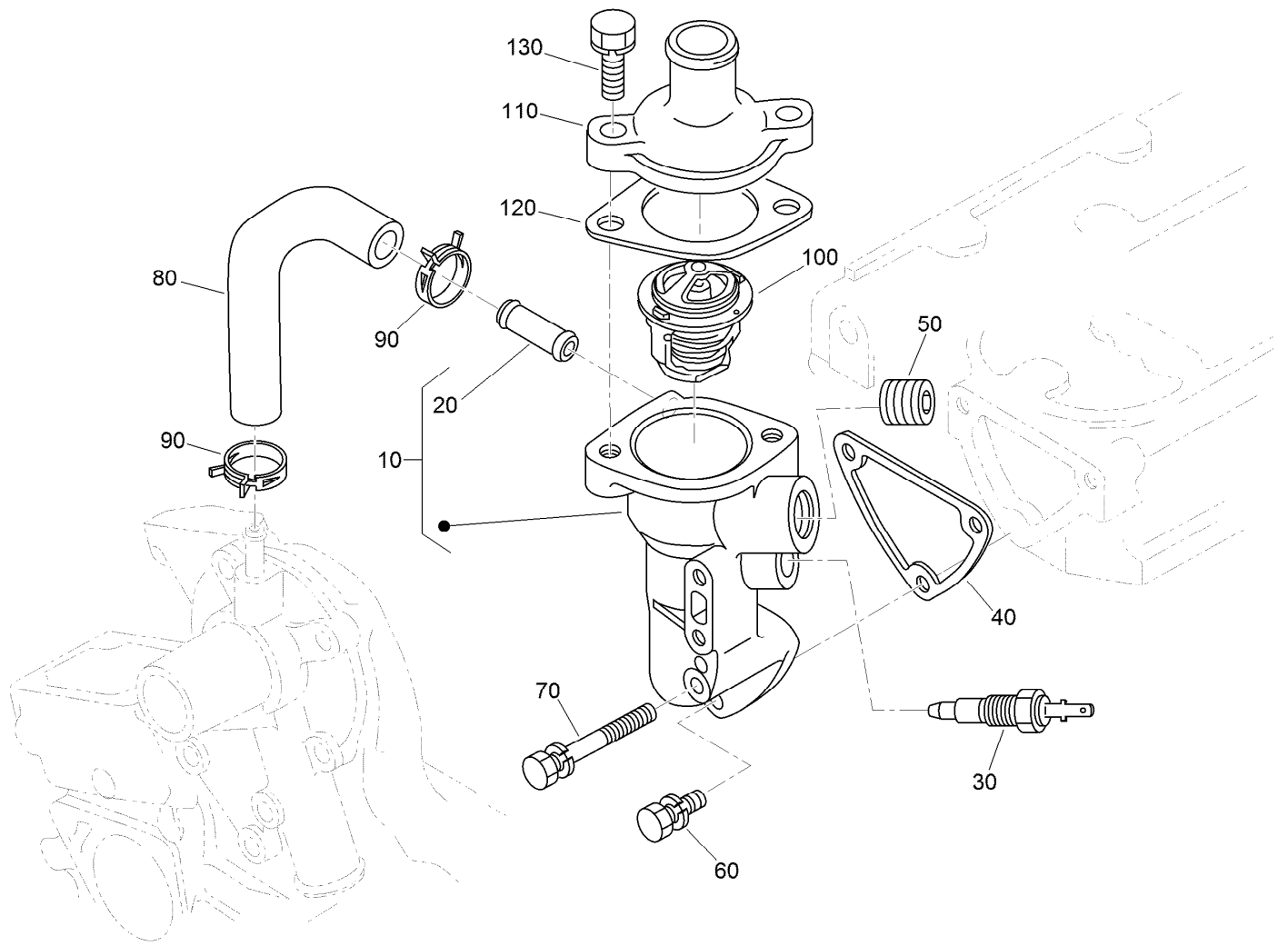
Starter and Flywheel Assembly

| Ref. | Part Number | Qty. | Description |
|------|-------------|------|-----------------|
| 10 | 110-3800 | 1 | Starter ASM |
| 20 | 98-7697 | 2 | Bolt |
| 30 | 98-7534 | 2 | Nut |
| 50 | 98-7534 | 1 | Nut |
| 60 | 105-2893 | 1 | Washer-Spring |
| 70 | 130-1369 | 1 | Flywheel ASM |
| 80 | 127-1604 | 1 | Gear-Ring |
| 90 | 100-1930 | 5 | Bolt-Flywheel |
| 100 | 120-3130 | 1 | Plate-End, Rear |
| 110 | 110-3754 | 10 | Bolt |



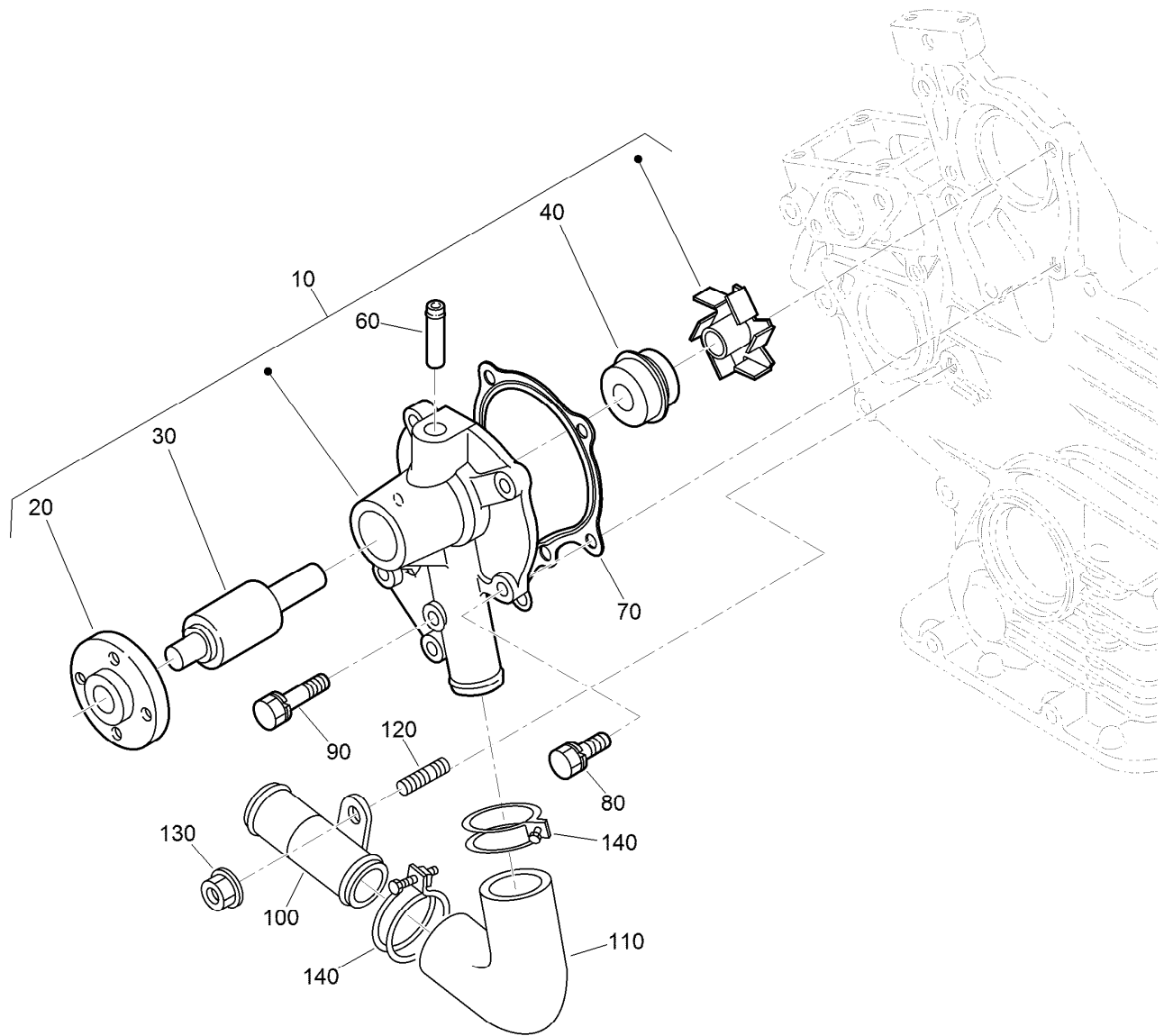
Starter Component Assembly

| <i>Ref.</i> | <i>Part Number</i> | <i>Qty.</i> | <i>Description</i> | <i>Ref.</i> | <i>Part Number</i> | <i>Qty.</i> | <i>Description</i> |
|-------------|--------------------|-------------|----------------------|-------------|--------------------|-------------|---------------------|
| 10 | 110-3800 | 1 | Starter ASM | 110 | 110-3810 | 1 | Brush Holder ASM |
| 20 | 110-3801 | 1 | Armature | 120 | 110-3811 | 1 | Rear Bracket ASM |
| 30 | 110-3802 | 1 | Shaft ASM | 130 | 110-3812 | 1 | Bushing |
| 40 | 120-3142 | 1 | Gear-Internal | 140 | 110-3813 | 1 | Front Bracket ASM |
| 50 | 110-3804 | 3 | Gear-Planetary | 150 | 110-3814 | 1 | Bushing |
| 60 | 110-3805 | 1 | Clutch-Running, Over | 160 | 110-3815 | 2 | Bolt |
| 70 | 110-3806 | 1 | Stopper | 170 | 110-3816 | 1 | Fork Lever ASM |
| 80 | 120-3143 | 1 | Gasket | 180 | 110-3817 | 1 | Magnetic Switch ASM |
| 90 | 110-3808 | 1 | Ball | 190 | 110-3818 | 2 | Screws (Set Of 4) |
| 100 | 130-1295 | 1 | Yoke | | | | |



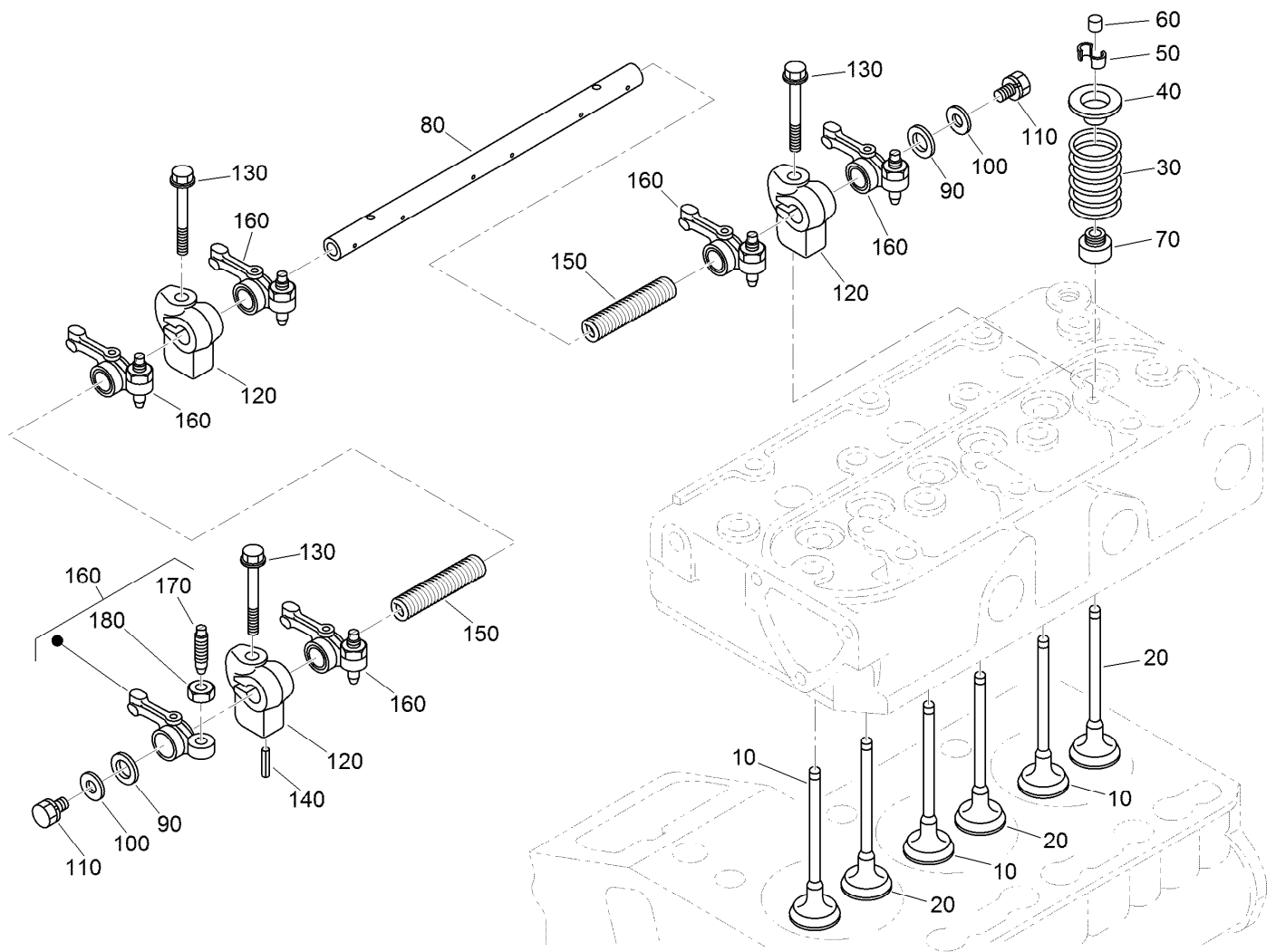
Water Flange and Thermostat Assembly

| <i>Ref.</i> | <i>Part Number</i> | <i>Qty.</i> | <i>Description</i> |
|-------------|--------------------|-------------|----------------------|
| 10 | 121-2414 | 1 | Water Flange ASM |
| 20 | 98-9580 | 1 | Pipe-Return, Water |
| 30 | 100-1983 | 1 | Thermo-Switch |
| 40 | 110-3820 | 1 | Gasket-Flange, Water |
| 50 | 105-2874 | 1 | Plug |
| 60 | 98-7692 | 2 | Bolt |
| 70 | 125-9063 | 1 | Bolt-Sems |
| 80 | 100-2017 | 1 | Pipe-Return, Water |
| 90 | 125-9078 | 2 | Clamp-Hose |
| 100 | 98-7778 | 1 | Thermostat ASM |
| 110 | 121-2415 | 1 | Cover-Thermostat |
| 120 | 105-3748 | 1 | Gasket-Thermostat |
| 130 | 98-7438 | 2 | Bolt |



Water Pump and Water Pipe Assembly

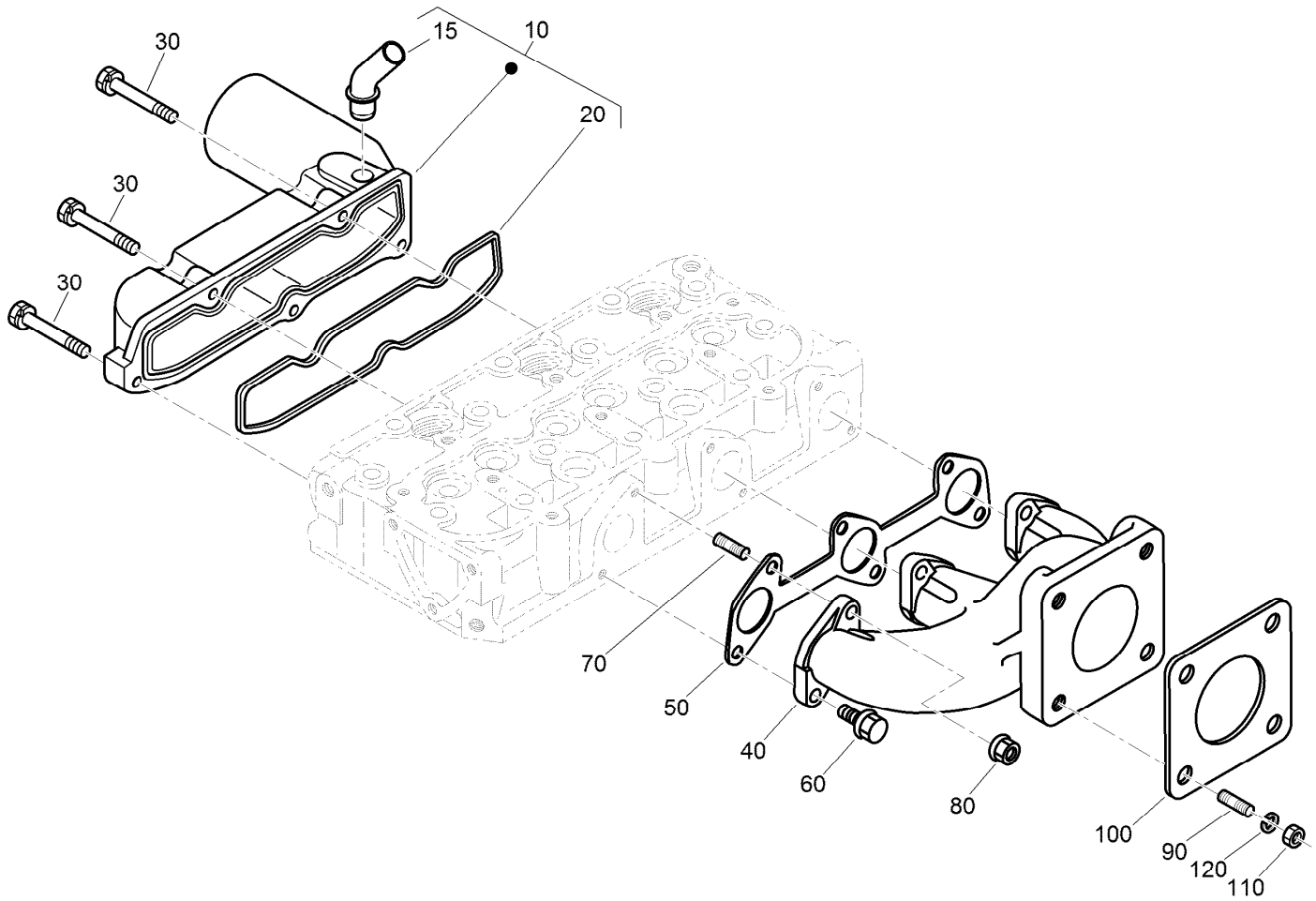
| <i>Ref.</i> | <i>Part Number</i> | <i>Qty.</i> | <i>Description</i> |
|-------------|--------------------|-------------|---------------------|
| 10 | 127-1607 | 1 | Water Pump ASM |
| 20 | 125-9081 | 1 | Flange-Pump, Water |
| 30 | 100-1934 | 1 | Bearing-Ball |
| 40 | 99-3518 | 1 | Water Pump Seal ASM |
| 60 | 100-1932 | 1 | Pipe-Return, Water |
| 70 | 117-8846 | 1 | Gasket-Pump, Water |
| 80 | 100-1750 | 4 | Bolt |
| 90 | 100-1764 | 1 | Bolt |
| 100 | 112-2835 | 1 | Pipe-Water |
| 110 | 112-2836 | 1 | Hose-Water |
| 120 | 100-1924 | 1 | Stud |
| 130 | 100-2203 | 1 | Nut-Flange |
| 140 | 110-3828 | 2 | Band-Pipe |



Valve and Rocker Arm Assembly

| Ref. | Part Number | Qty. | Description |
|------|-------------|------|------------------------|
| 10 | 112-2514 | 3 | Valve-Inlet |
| 20 | 112-2515 | 3 | Valve-Exhaust |
| 30 | 100-1823 | 6 | Spring-Valve |
| 40 | 100-1825 | 6 | Retainer-Spring, Valve |
| 50 | 120-3136 | 6 | Collet-Spring, Valve |
| 60 | 100-2155 | 6 | Cap-Valve |
| 70 | 100-1797 | 6 | Seal-Stem, Valve |
| 80 | 112-8341 | 1 | Shaft-Arm, Rocker |
| 90 | 100-2044 | 2 | Washer |

| Ref. | Part Number | Qty. | Description |
|------|-------------|------|---------------------|
| 100 | 110-3832 | 2 | Washer-Plain |
| 110 | 100-1762 | 2 | Bolt |
| 120 | 110-3833 | 3 | Bracket-Arm, Rocker |
| 130 | 110-3834 | 3 | Bolt-Flange |
| 140 | 98-7602 | 1 | Pin-Spring |
| 150 | 112-8342 | 2 | Spring |
| 160 | 100-1884 | 6 | Rocker Arm ASM |
| 170 | 100-1885 | 6 | Screw-Adjusting |
| 180 | 100-1827 | 6 | Nut |



Inlet and Exhaust Manifold Assembly

| <i>Ref.</i> | <i>Part Number</i> | <i>Qty.</i> | <i>Description</i> |
|-------------|--------------------|-------------|--------------------------|
| 10 | 120-3141 | 1 | Intake Manifold ASM |
| 15 | 121-2417 | 1 | Pipe-Breather |
| 20 | 110-3838 | 1 | Gasket-Manifold, Intake |
| 30 | 98-9352 | 5 | Bolt |
| 40 | 110-3839 | 1 | Manifold-Exhaust |
| 50 | 110-3840 | 1 | Gasket-Manifold, Exhaust |
| 60 | 130-1154 | 3 | Screw-Hex HD |
| 70 | 130-1156 | 3 | Bolt-Stud |
| 80 | 100-1778 | 3 | Nut |
| 90 | 98-7769 | 4 | Stud |
| 100 | 99-8343 | 1 | Gasket-Muffler |
| 110 | 98-7534 | 4 | Nut |
| 120 | 105-2893 | 4 | Washer-Spring |

Attachments and Accessories

For 04384 — Greensmaster 3250-D 2-Wheel Drive Traction Unit

| Product Name | Model/Part |
|--|------------|
| Turf Evaluator | 04399 |
| CE Guard Kit..... | 04441 |
| Three-Wheel Drive Kit without ROPS | 04477 |
| Dethatching Unit | 04479 |
| Universal Greensmaster Triplex Light..... | 04555 |
| 8-Blade DPA Reel Mower | 04652 |
| 11-Blade DPA Reel Mower | 04654 |
| 14-Blade DPA Reel Mower | 04656 |
| Hydraulic Oil Leak Detector Kit | 04730 |
| Hose Adapter Kit..... | 100-6430 |
| Weight Kit, Greensmaster and Sand Pro/Infield Pro Traction Unit..... | 100-6442 |
| Oil Cooler Kit..... | 104-7701 |
| Ground-Following Suspension Kit | 104-9400 |
| Radiator Screen Kit..... | 105-9766 |
| Air Filter | 108-3811 |
| Seperator Filter ASM | 110-9044 |
| Paint-Black Bottle | 112-0176 |
| Paint-Red Bottle | 112-0178 |
| Pull Link Kit for DPA Reel Mower Groomer | 112-9248 |
| Wireless Hourmeter | 115-4754 |
| Engine Oil Filter | 115-8189 |
| Spark Arrester Kit | 120-1951 |
| RH Arm Rest Kit | 121-3658 |
| Premium Engine Oil 10w30 (55 Gallon Drum) | 121-6392 |
| Premium Engine Oil 10w30 (5 Gallon Pail) | 121-6393 |
| Toro Reel Paper (10 Pack)..... | 125-5610 |
| Hi-Back Seat Cover | 133-1308 |
| PX Hydraulic Fluid (5 Gal) | 133-8086 |
| PX Hydraulic Fluid (55 Gal)..... | 133-8087 |
| Bag Kit..... | 137-8130 |
| Bimini Shade Kit | 138-8579 |
| HYD Hose MVP Kit..... | 140-5235 |
| Shim-Toro Reel (.002in)..... | 140-5531 |
| Tire - 20 X 10.00-8, 4ply..... | 144-3665 |
| Kit-Sunshade | 161-4704 |
| Toro Red 12oz Aerosol Can | 361-10 |
| Semi-Gloss Black Spray Paint | 361-9 |
| 1000 Hour MVP Kit | 44968 |
| Height-of-Cut Bar..... | 94-9010 |
| Weight Kit, Greensmaster 3100, 3150 or 3250-D Traction Unit with Three-Wheel Drive | 99-1645 |

Notes:

Notes:

Notes:



Count on it.