



Count on it.

Parts Catalog

Multi Pro® 1750

Turf Sprayer

Model No. 41188—Serial No. 417343643 and Up



Ordering Replacement Parts

To order replacement parts, please supply the part number, the quantity, and the description of each part desired.

Understanding Reference Numbers

Each identified part in an illustration has a reference number. The reference number for a part also appears in the parts list, along with other information about the part.

This catalog uses two special reference number formats, one to indicate parts in a service assembly and another to indicate the quantity of a given part in an illustration.

Service Assembly Reference Numbers

Parts in service assemblies have reference numbers in the form a:b. The a represents the reference number of the entire service assembly and the b represents a sequential number unique to each part within the service assembly.

For example, a wheel assembly might be identified by reference number 6, the tire by 6:1, the valve by 6:2, and the wheel by 6:3. When you order the assembly identified by reference number 6, you receive all parts identified by reference numbers 6:1, 6:2, and 6:3. However, you may also order any part individually. Reference numbers of this type appear in illustration and in parts lists.

Reference Numbers Indicating Quantity

In an illustration, if a reference number indicates more than one part, the reference number has the form nX y. The n represents the quantity of the part, the X is the multiplication symbol, and the y represents the reference number.

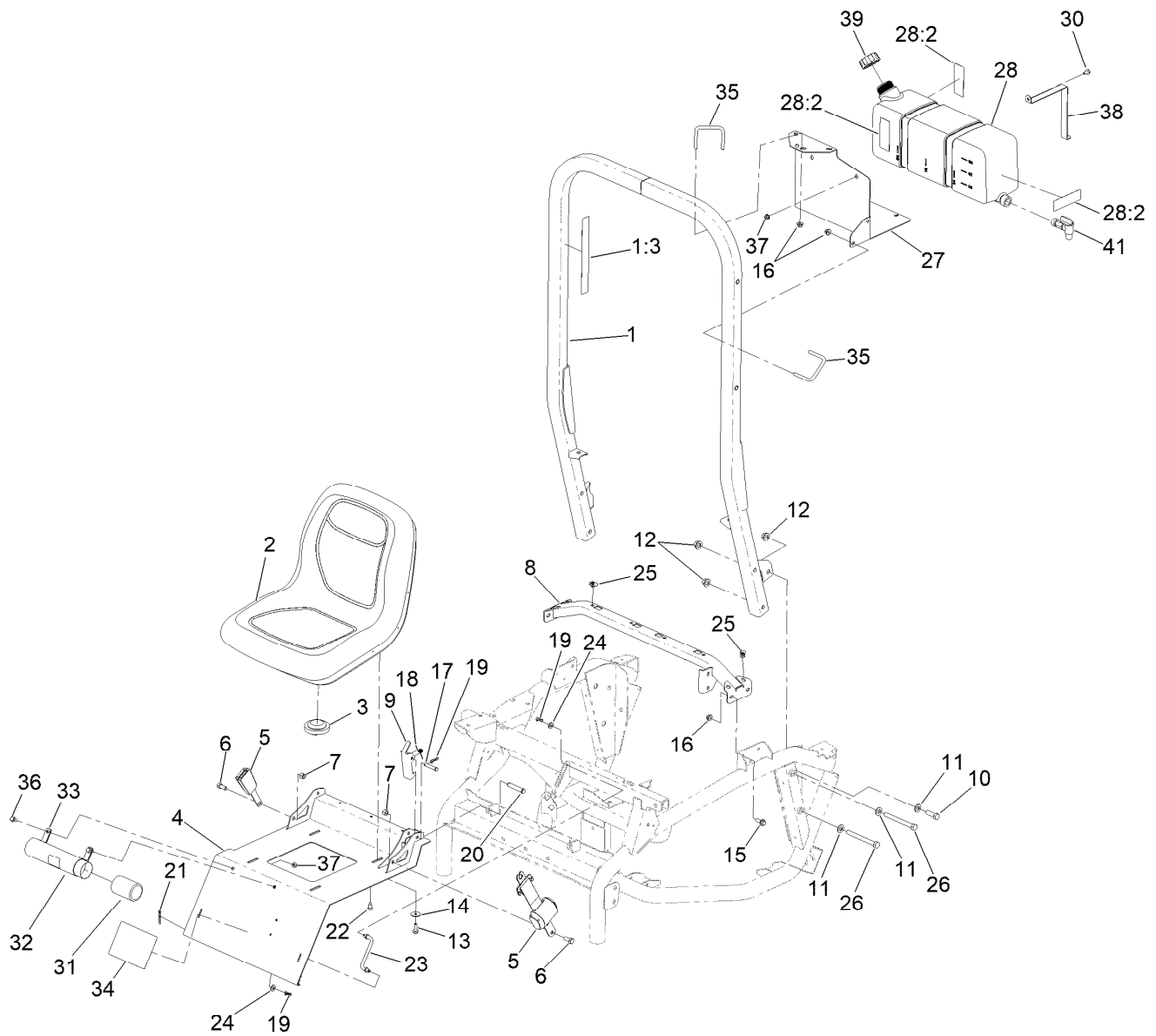
For example, in an illustration, the reference number 2X 37 means that two of the parts identified by reference number 37 are indicated.

Contents

Roll-Over Protection System and Seat Assembly	5
Frame Assembly	6
Rear Drive Assembly	7
Case Assembly Transaxle Assembly No. 120-7610	9
Center Plate Assembly Transaxle Assembly No. 120-7610	10
Main Shaft Assembly Transaxle Assembly No. 120-7610	11
Reduction Shaft Assembly Transaxle Assembly No. 120-7610	12
Reverse Shaft Assembly Transaxle Assembly No. 120-7610	13
Main Shift Assembly Transaxle Assembly No. 120-7610	14
Counter Shaft Assembly Transaxle Assembly No. 120-7610	15
Differential Gear Assembly Transaxle Assembly No. 120-7610	16
Differential Carrier Assembly Transaxle Assembly No. 120-7610	17
Differential Lock Assembly Transaxle Assembly No. 120-7610	18
Axle Shaft Assembly Transaxle Assembly No. 120-7610	19
Brake Caliper Assembly No. 127-7424	20
Brake Hydraulic Assembly	21
Master Cylinder Assembly No. 104-6782	22
Front Suspension Assembly	23
Hydraulic Cylinder Assembly No. 125-0720	26
Pedal Assembly	27
Parking Brake Lever and Cable Assembly	28
Control Console Mount Assembly	29
Gear Shift and Drift Lock Control Assembly	30
Shift Assembly No. 106-7887	31
Control Console Assembly	32
Hood, Dash and Headlight Assembly	33
Seat Base and Front Fender Assembly	34
Hydraulic Steering Assembly	35
Hydraulic Pump Assembly No. 121-6545	37
Steering Valve Assembly No. 138-6100	38
Boom Lift Hydraulic Assembly	39
Hydraulic Cylinder Assembly No. 117-0701	40
On-Off Boom Lift Valve Assembly No. 136-2400	41
Engine and Pump Mounting Assembly	42
Pump Assembly No. 145-3381	44
Exhaust Assembly	45
Fuel Tank, filter and line Assembly	46
Fuel Tank Assembly No. 115-9048	47
Driveshaft Connection Assembly	48
Driveshaft Assembly No. 119-6040	49
Clutch and Bell Housing Assembly	50
Bell Housing Assembly	51
Spray Tank Assembly	52
Tank Assembly No. 121-6491	53
Spray Tank Lid Assembly No. 138-6283	54
Filter Assembly No. 130-7096	55
Spray Tank Valve Assembly	56
Section Manifold Assembly	57
Bypass Valve Assembly No. 127-9805	58
3-Way Valve Assembly No. 147-3183	59
Agitation Manifold Assembly	60
M100 Manifold Assembly No. 161-4110	62
3-Way Flange Manifold Assembly No. 147-3192	63
Pressure Filter Assembly No. 131-3791	64

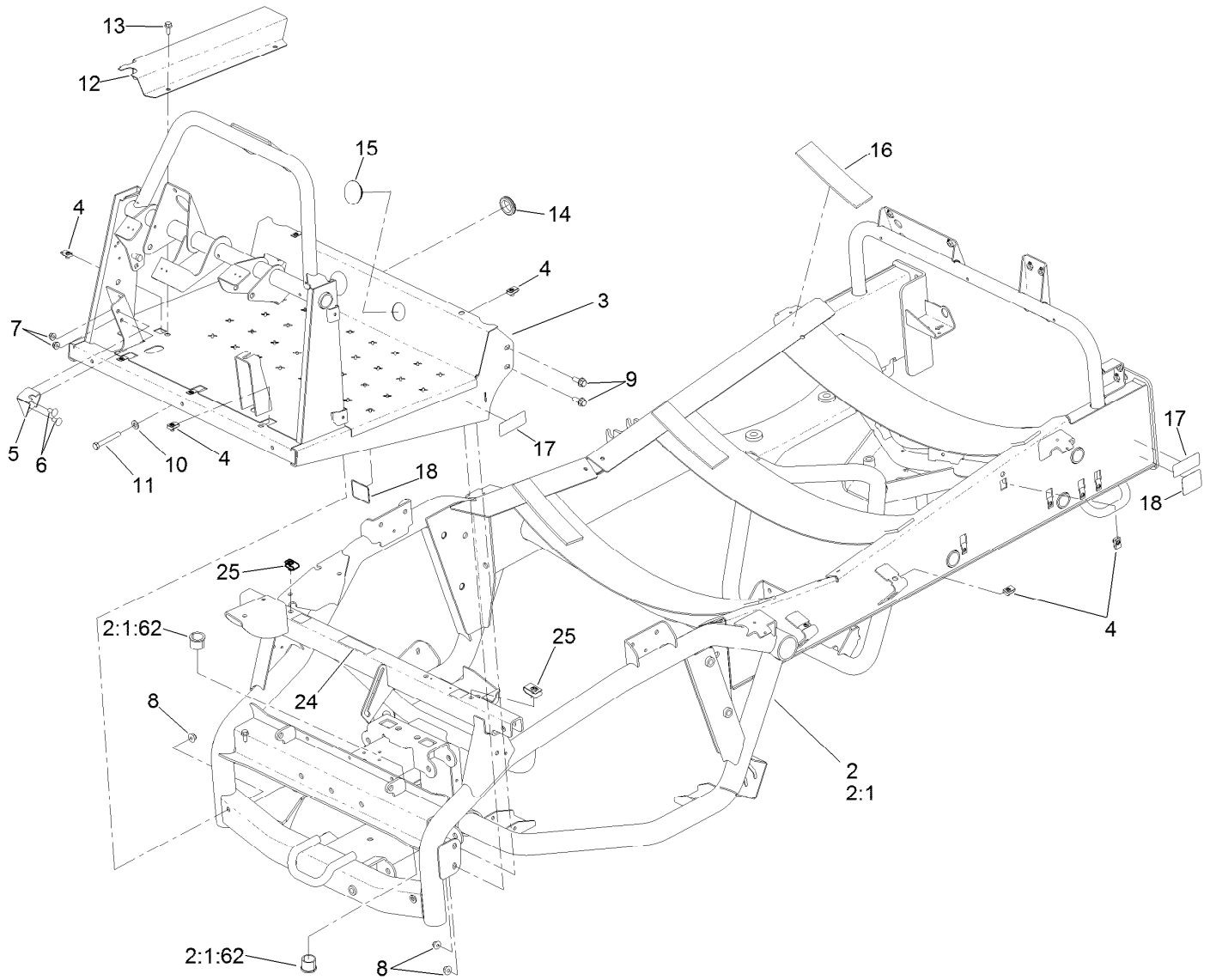
Contents (continued)

QD Manifold Assembly No. 161-4111	65
Hose Assembly	66
Main Wiring Harness and Battery Assembly	68
Center Boom Mount Assembly.....	69
RH Single Body Turret Assembly No. 108-3726	71
Double Turret Body Assembly No. 108-3727	72
LH Single Turret Body Assembly No. 108-3725	73
Boom Pivot Mount Assembly	74
Boom Pivot Assembly	75
Left and Right Hand Boom Assembly	76
Attachments and Accessories	77



Roll-Over Protection System and Seat Assembly

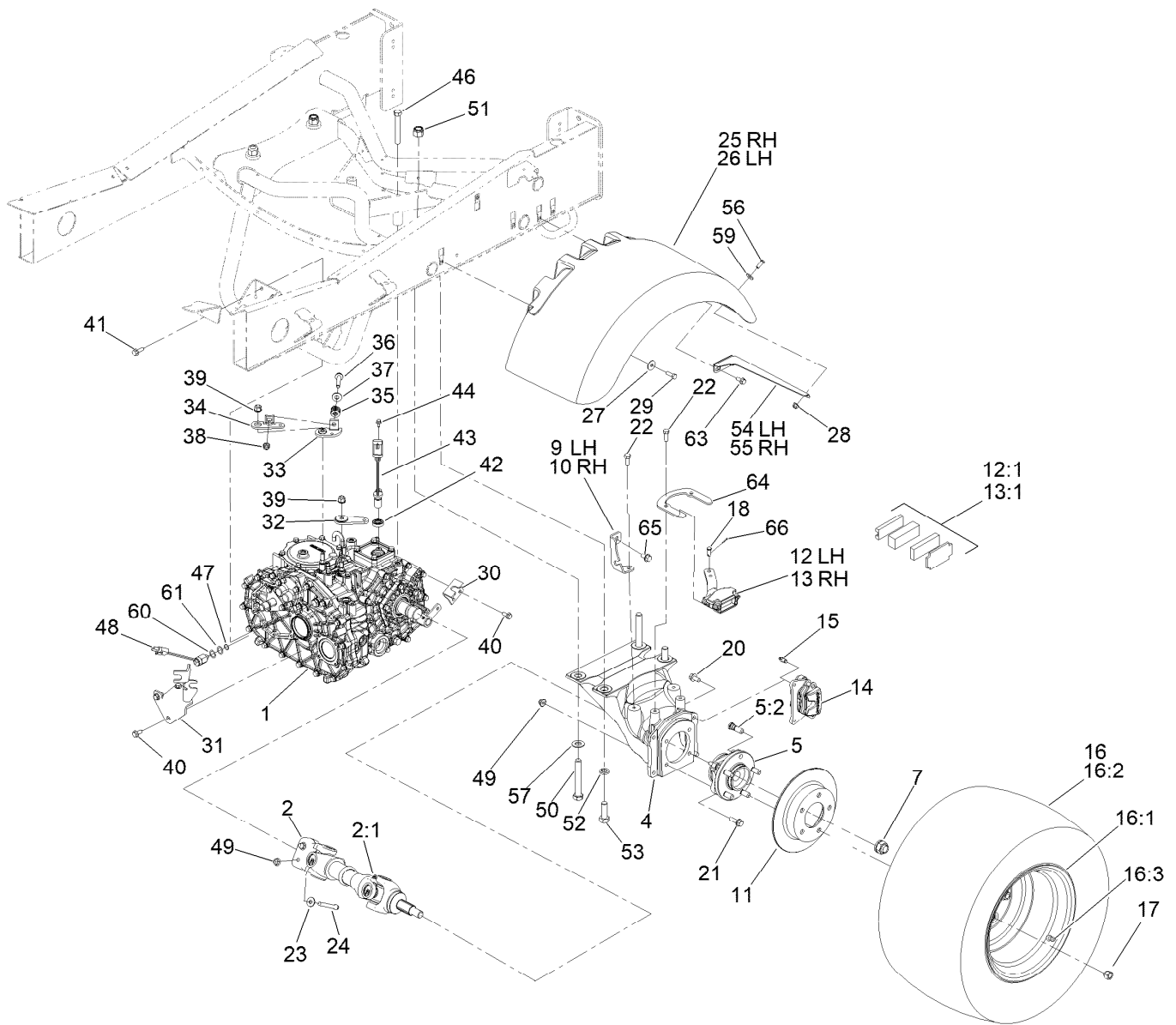
Ref.	Part Number	Qty.	Description	Ref.	Part Number	Qty.	Description
1	127-3918	1	ROPS ASM	21	119-1416	2	Pin-Cotter, Locking
1:3	127-3939	1	Decal-ROPS	22	87-8460	3	Bumper-Rubber
2	112-2923	1	Seat ASM	23	125-0909	1	Rod-Prop, Seat
3	100-3524	1	Switch-Seat	24	3256-24	2	Washer-Plain
4	125-0872-03	1	Plate-Seat	25	94-2413	3	Nut-U
5	110-0413	1	Seatbelt-Retractable	26	325-19	4	Screw-HH
6	3212-4	2	Screw-HH	27	131-5797-03	1	Mount-Tank, Eye Wash
7	3296-7	2	Nut-Lock	28	132-7745	1	Fresh Water Tank ASM
8	125-0910-03	1	Crossmember-Seat	28:2	120-0616	3	Decal-Water, Fresh
9	125-0916	1	Latch-Seat	30	3234-7	4	Screw-HHF
10	325-6	2	Screw-HH	31	104-7048	1	Cap-Housing
11	3256-26	6	Washer-Flat	32	104-7050	1	Tube-Manual
12	99-5107	6	Nut-HF Nylock	33	2412-133	2	Clamp-R
13	33104-025	4	Screw-HHF	34	133-0382	1	Decal-Service/Maintenance
14	3256-57	4	Washer-Flat	35	119-6727	2	U-Bolt
15	3234-42	4	Screw-HHF	36	3234-47	2	Screw-HHF
16	104-8301	8	Nut-HF, NI	37	104-8300	6	Nut-HF, NI
17	283-82	1	Pin-Clevis	38	132-7628-03	2	Band-Tank, Eye Wash
18	104-4821	1	Spring-Torsion	39	137-4291	1	Cap-Tank, Fresh Water
19	119-1415	3	Pin-Cotter, Locking	41	100-7011	1	Spigot-90 DEG
20	100-6541	2	Pin-Clevis				



Frame Assembly

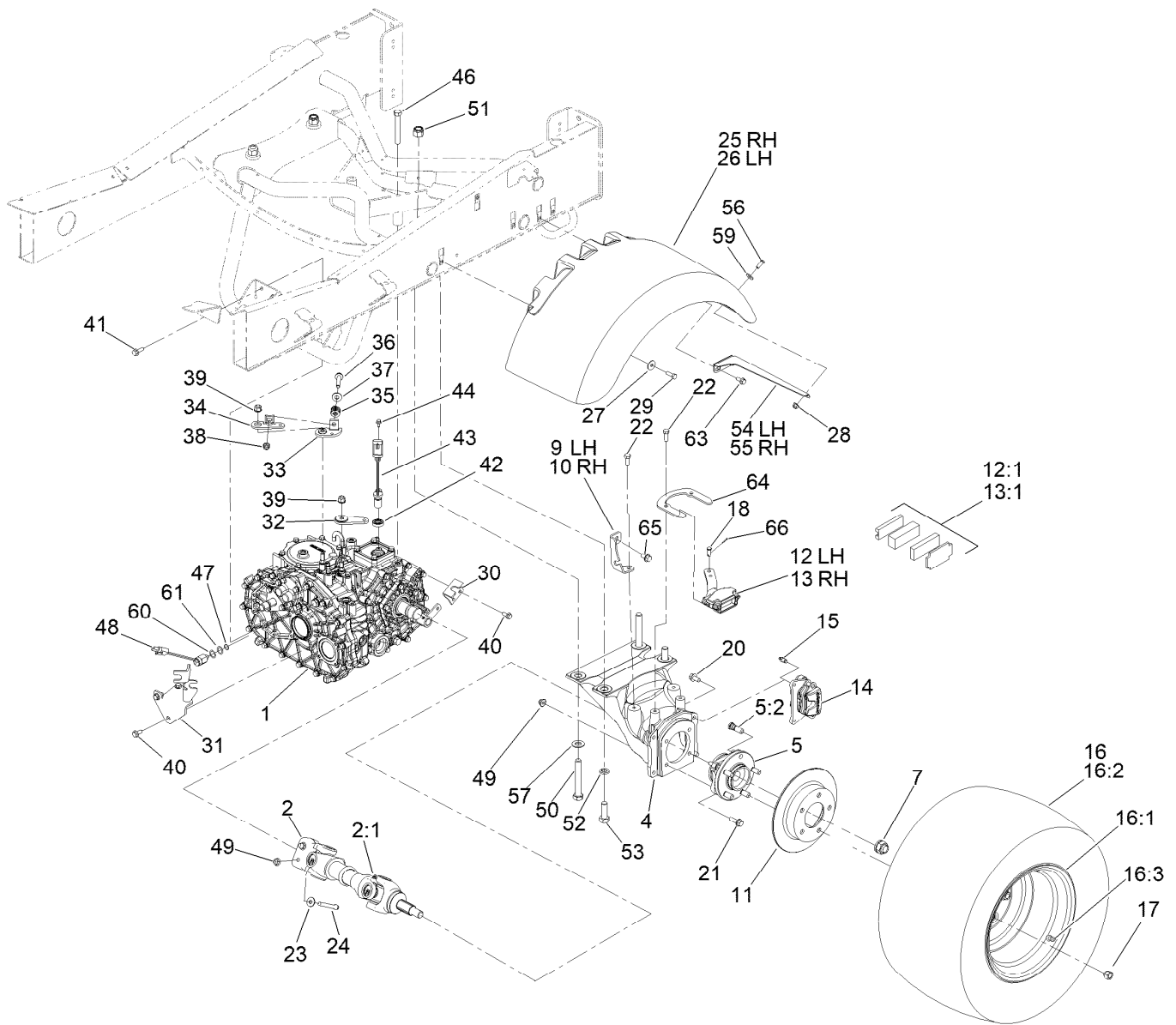
Ref.	Part Number	Qty.	Description	Ref.	Part Number	Qty.	Description
2	121-6501-03	1	Frame ASM	11	323-13	2	Screw-HH
2:1		1	Frame ●	12	125-0871-03	1	Cover-Hose
2:1:62	104-0015	2	Bushing-Flange	13	3234-47	2	Screw-HHF
3	125-0812-03	1	Platform	14	240-3	2	Grommet-Rubber
4	94-2413	19	Nut-U	15	121-3397	2	Plug-Grommet
5	106-2421	1	Bracket-Mount, Cable	16	125-8094	6	Pad-Tank
6	3230-23	2	Bolt-CARR	17	106-9206	4	Decal-Torque, Wheel
7	104-8300	2	Nut-HF, NI	18	125-6694	3	Decal-Tie Down
8	104-8301	6	Nut-HF, NI	24	133-8062	1	Decal-Spark Arrestor
9	3234-42	4	Screw-HHF	25	115-7721	2	Nut-Clip, U
10	3256-24	2	Washer-Plain				

● Not serviced separately



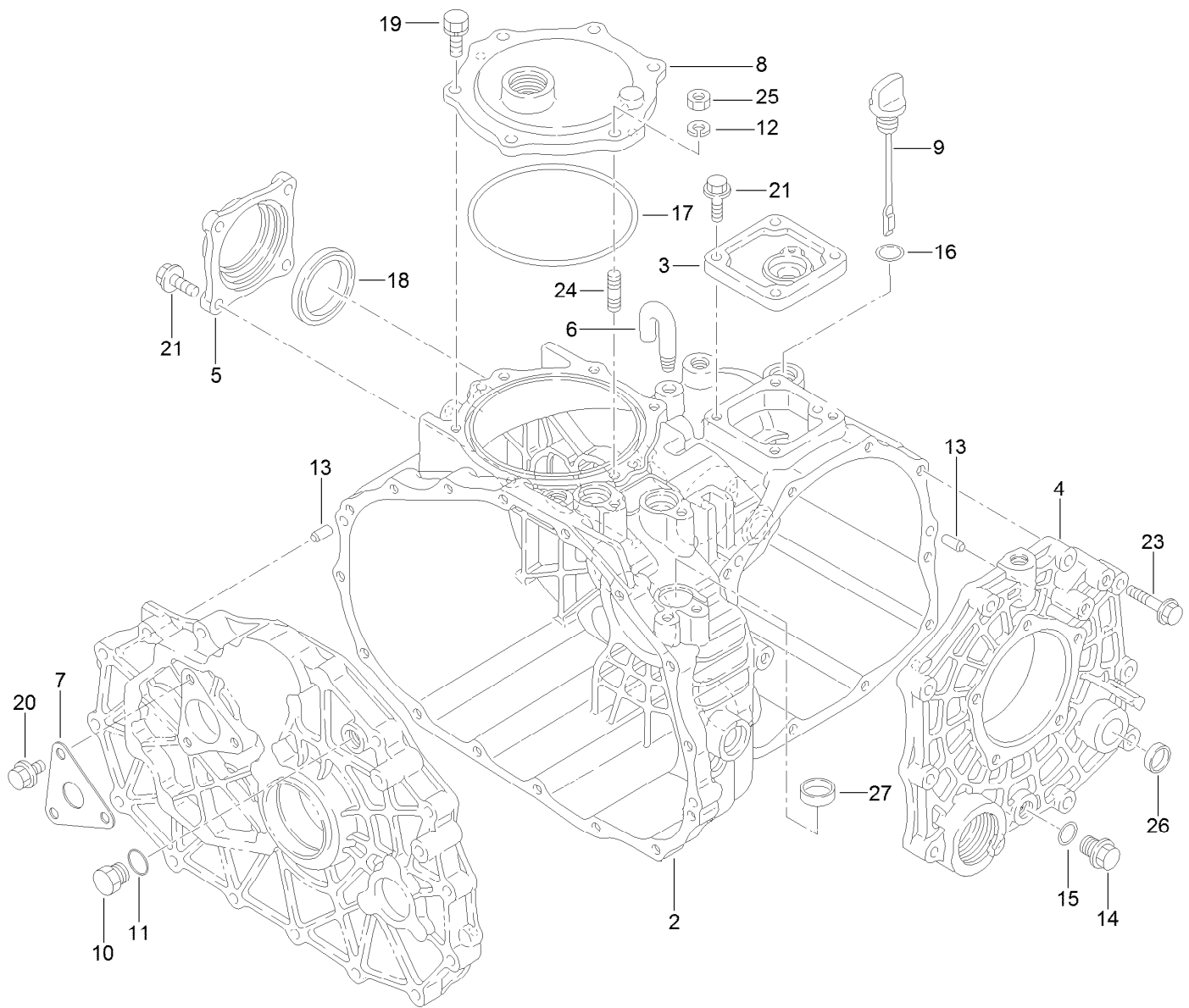
Rear Drive Assembly

Ref.	Part Number	Qty.	Description	Ref.	Part Number	Qty.	Description
1	120-7610	1	Transaxle ASM	18	283-85	2	Pin-Clevis
2	138-5600	1	Driveshaft ASM	20	3234-1	4	Screw-HHF
2:1	302-5	2	Fitting-Grease	21	3234-24	8	Screw-HHF
4	131-4311	2	Axle-Housing	22	323-6	6	Screw-HH
5	121-9751	2	Hub-Bearing, Wheel	23	80-6990	4	Washer-Hardened
5:2	121-9752	5	Stud-Wheel	24	98-2939	4	Screw-Cap
7	115-2164	2	Nut-Spindle	25	112-6805	1	Fender-RH
9	131-4362	1	Bracket-Cable, LH	26	112-6806	1	Fender-LH
10	131-4346	1	Bracket-Cable, RH	27	3256-82	6	Washer-Flat
11	114-8351	2	Rotor-Brake	28	104-8300	2	Nut-HF, NI
12	114-8365	1	Caliper-Mechanical, LH	29	322-5	6	Screw-HH
12:1	115-7847	1	Parking Brake Pad Kit	30	87-4470	1	Bracket-Lock, Differential
13	114-8366	1	Caliper-Mechanical, RH	31	107-8749-0P	1	Bracket-Cable, Welded
13:1	115-7847	1	Parking Brake Pad Kit	32	87-7960	1	Lever-Shift
14	127-7424	2	Brake Caliper ASM	33	87-7970	1	Arm-Shift
15	119-9509	2	Screw-Bleed	34	87-8250	1	Plate-Arm, Shift
16	144-6160	2	Tire/Wheel ASM	35	87-6910	1	Spring-Compression
16:1	144-6170	1	Wheel - 12 X 10.50	36	66-9302	1	Screw-HHF Lock
16:2	144-6171	1	Tire - 24/13-12,6 Ply	37	3256-4	1	Washer-Flat
16:3	232-27	1	Stem-Valve	38	3290-357	1	Nut-HSF
17	139-2564	10	Nut-Lug	39	103-9511	2	Nut-Flig



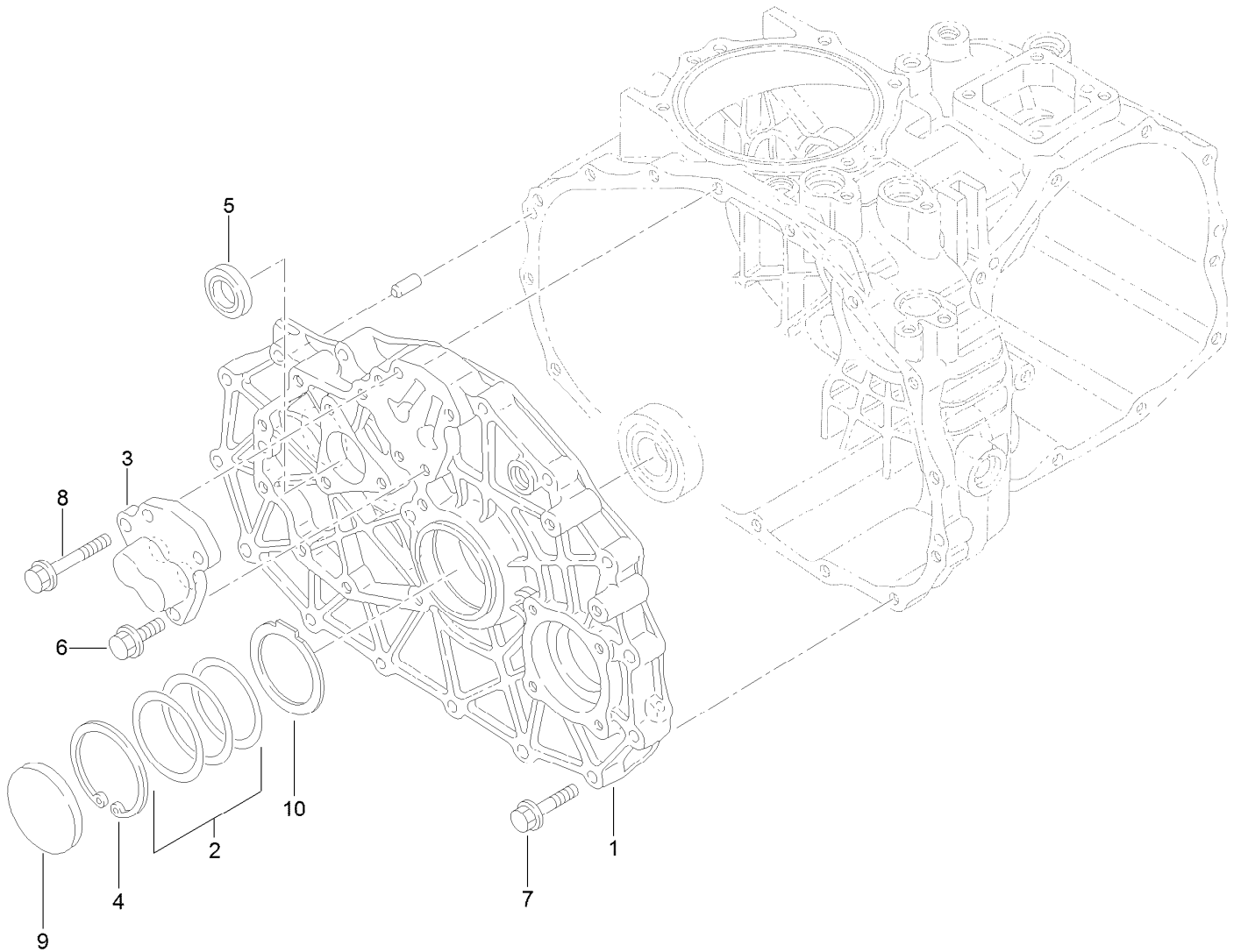
Rear Drive Assembly (continued)

Ref.	Part Number	Qty.	Description	Ref.	Part Number	Qty.	Description
40	98-7977	5	Screw-HHF	53	327-5	4	Screw-HH
41	33104-025	4	Screw-HHF	54	125-7959-03	1	Bracket-Fender
42	92-3735	1	Seal-Sensor, Oil	55	125-7960-03	1	Bracket-Fender
43	120-4800	1	Sensor-Geartooth	56	3274-32	2	Screw-HSBH
44	33103-012	1	Screw-HHF	57	3256-27	4	Washer-Flat
46	33116-090	2	Screw-HH	59	3256-71	2	Washer-Flat
47	237-30	1	O-Ring	60	125-8106	3	Shim
48	87-6710	1	Switch-Transmission	61	125-8107	3	Shim
49	104-8301	12	Nut-HF, NI	63	3234-47	4	Screw-HHF
50	327-29	4	Screw-HH	64	131-4257-0P	2	Support-Park Brake
51	127-3958	4	Nut-Lock, NI	65	110-9380	2	Screw-HWH
52	3253-23	4	Washer-Lock	66	3272-6	2	Pin-Cotter



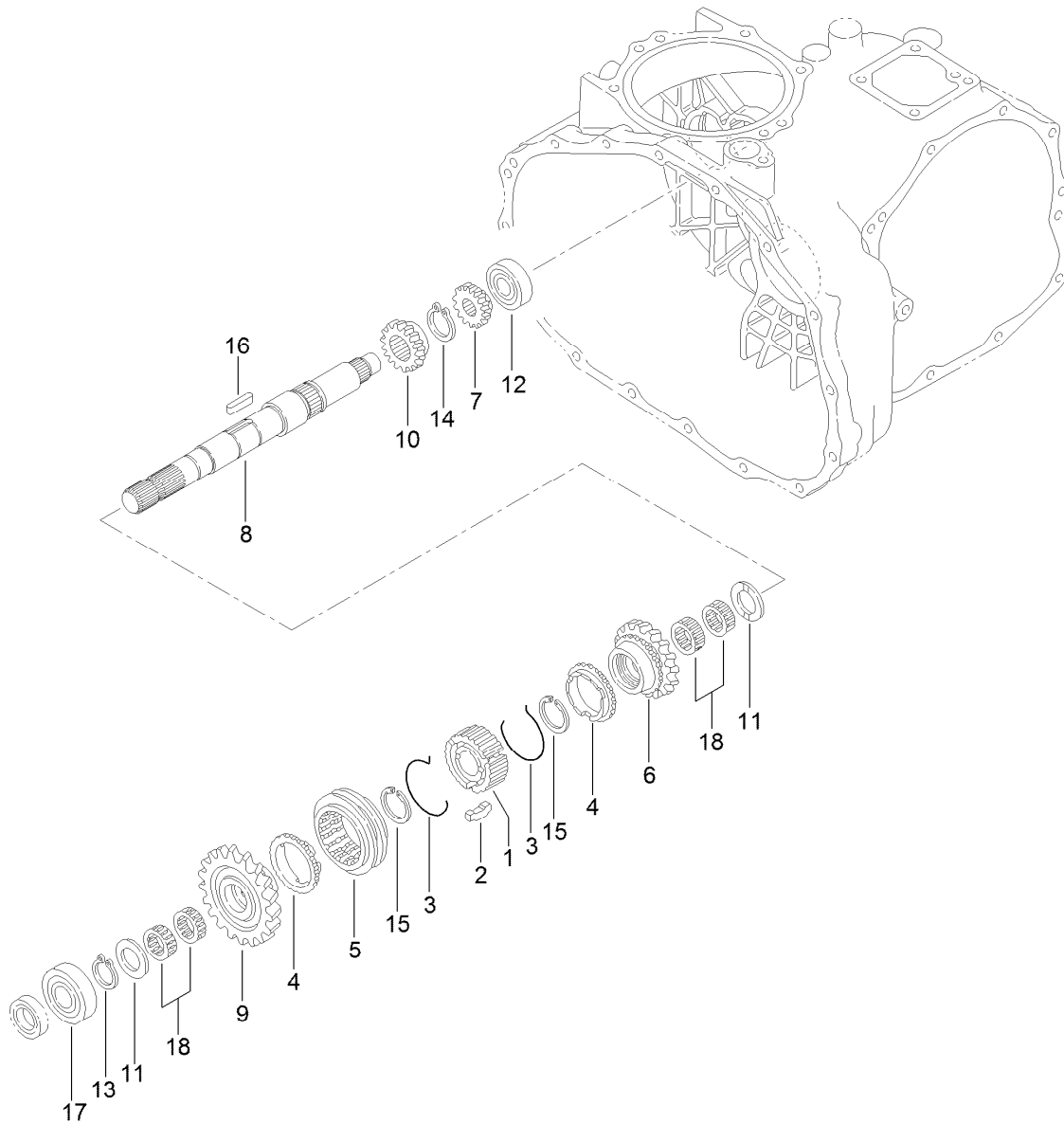
Case Assembly Transaxle Assembly No. 120-7610

<i>Ref.</i>	<i>Part Number</i>	<i>Qty.</i>	<i>Description</i>	<i>Ref.</i>	<i>Part Number</i>	<i>Qty.</i>	<i>Description</i>
2	92-0651	1	Case-Transmission	15	92-0787	1	O-Ring
3	92-3736	1	Cover ASM	16	92-0788	1	O-Ring
4	92-0653	1	Cover-Side	17	92-0790	1	O-Ring
5	92-0655	1	Cover-Seal, Axle	18	92-0793	1	Seal-Oil
6	127-3925	1	Breather	19	92-0796	5	Bolt
7	100-8594	1	Cover-Shaft, Input	20	100-6928	3	Bolt
8	100-8595	1	Cover-PTO	21	33114-025	8	Screw-HH
9	92-0662	1	Cap-Oil	23	33114-040	10	Screw-HH
10	100-6924	1	Plug	24	92-0804	1	Stud
11	100-6925	1	Packing	25	48-7930	1	Nut
12	92-0762	1	Washer-Spring	26	100-6926	1	Cap-Sealing
13	92-0765	4	Pin-Parallel	27	100-6927	1	Cap-Sealing
14	92-0773	1	Plug-Drain				



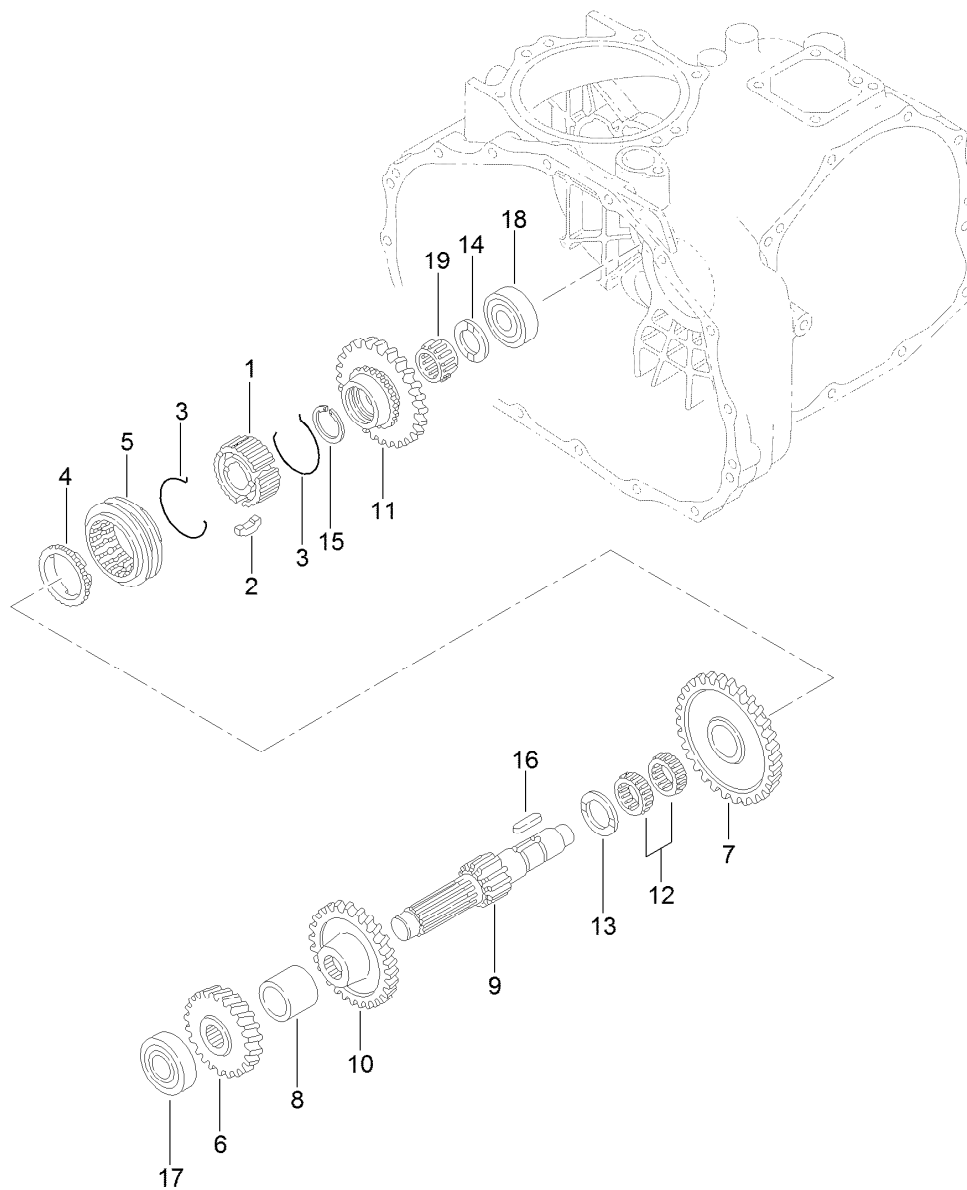
Center Plate Assembly Transaxle Assembly No. 120-7610

<i>Ref.</i>	<i>Part Number</i>	<i>Qty.</i>	<i>Description</i>
1	100-4461	1	Plate-Center
2	100-4460	1	Shim-Set
3	92-0706	1	Shaft-Fork
4	92-0759	1	Ring-Snap
5	92-0791	1	Seal-Oil
6	33114-025	3	Screw-HH
7	33114-040	15	Screw-HH
8	48-7560	1	Bolt-HH
9	92-0807	1	Cap-Sealing
10	100-4465	1	Shim (W/Tab)



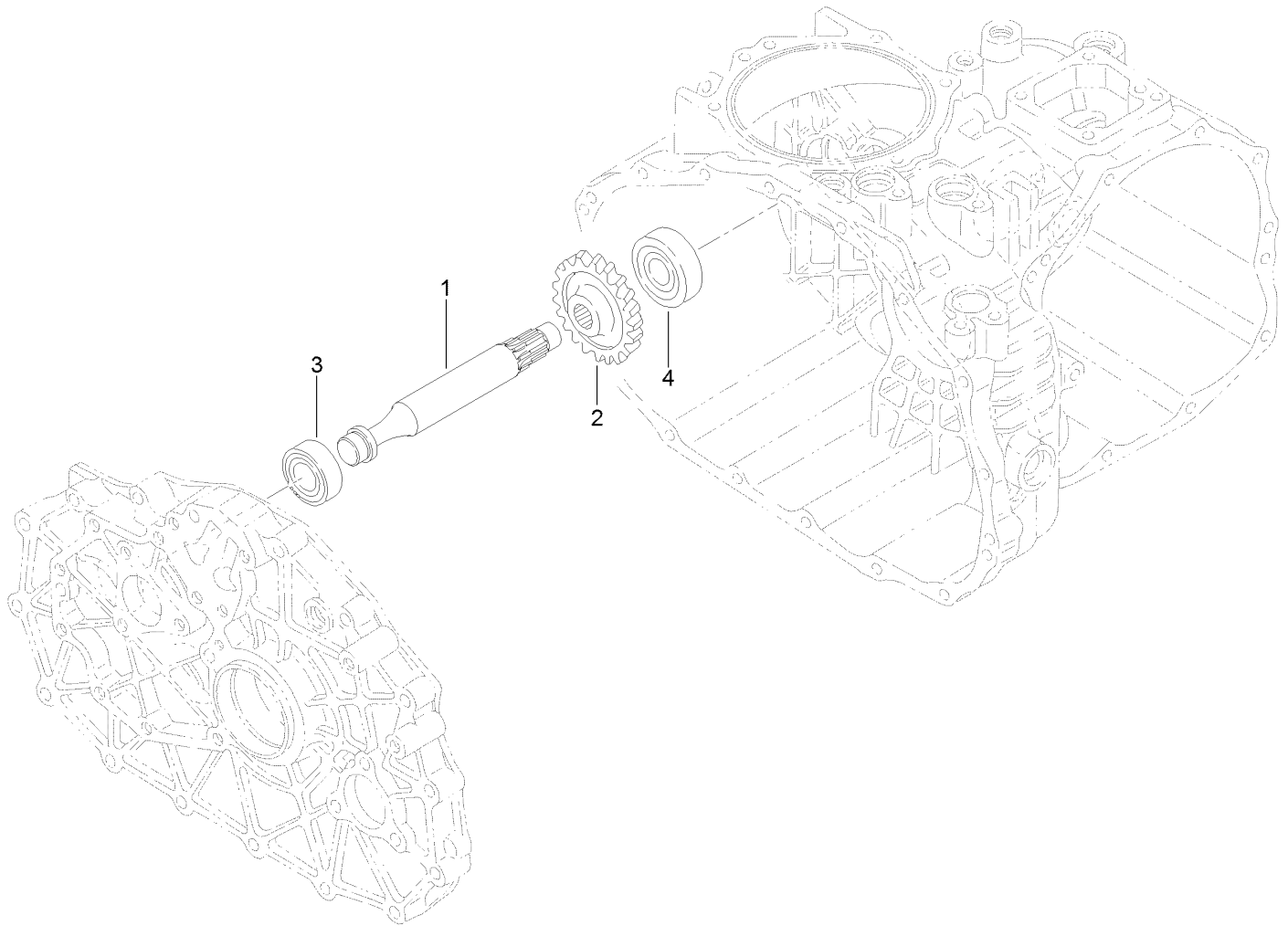
Main Shaft Assembly Transaxle Assembly No. 120-7610

<i>Ref.</i>	<i>Part Number</i>	<i>Qty.</i>	<i>Description</i>	<i>Ref.</i>	<i>Part Number</i>	<i>Qty.</i>	<i>Description</i>
1	92-0664	1	Hub-Synchro	10	100-8598	1	Gear-Main, 20 Tooth
2	92-0665	3	Key-Synchro	11	92-0740	2	Washer-Thrust
3	92-0666	2	Spring-Synchro	12	92-0650	1	Bearing
4	92-0667	2	Ring-Synchro	13	92-0753	1	Ring-Snap
5	92-0668	1	Shifter-Synchro	14	92-0754	1	Ring-Snap
6	127-3926	1	Gear-Main, 23T	15	92-0763	2	Ring-Snap
7	92-0673	1	Gear-Main, 14 Tooth	16	92-0772	1	Key
8	100-8596	1	Shaft-Main	17	251-8	1	Bearing-Ball
9	108-3694	1	Gear-Main, 36T	18	92-0781	4	Bearing-Needle



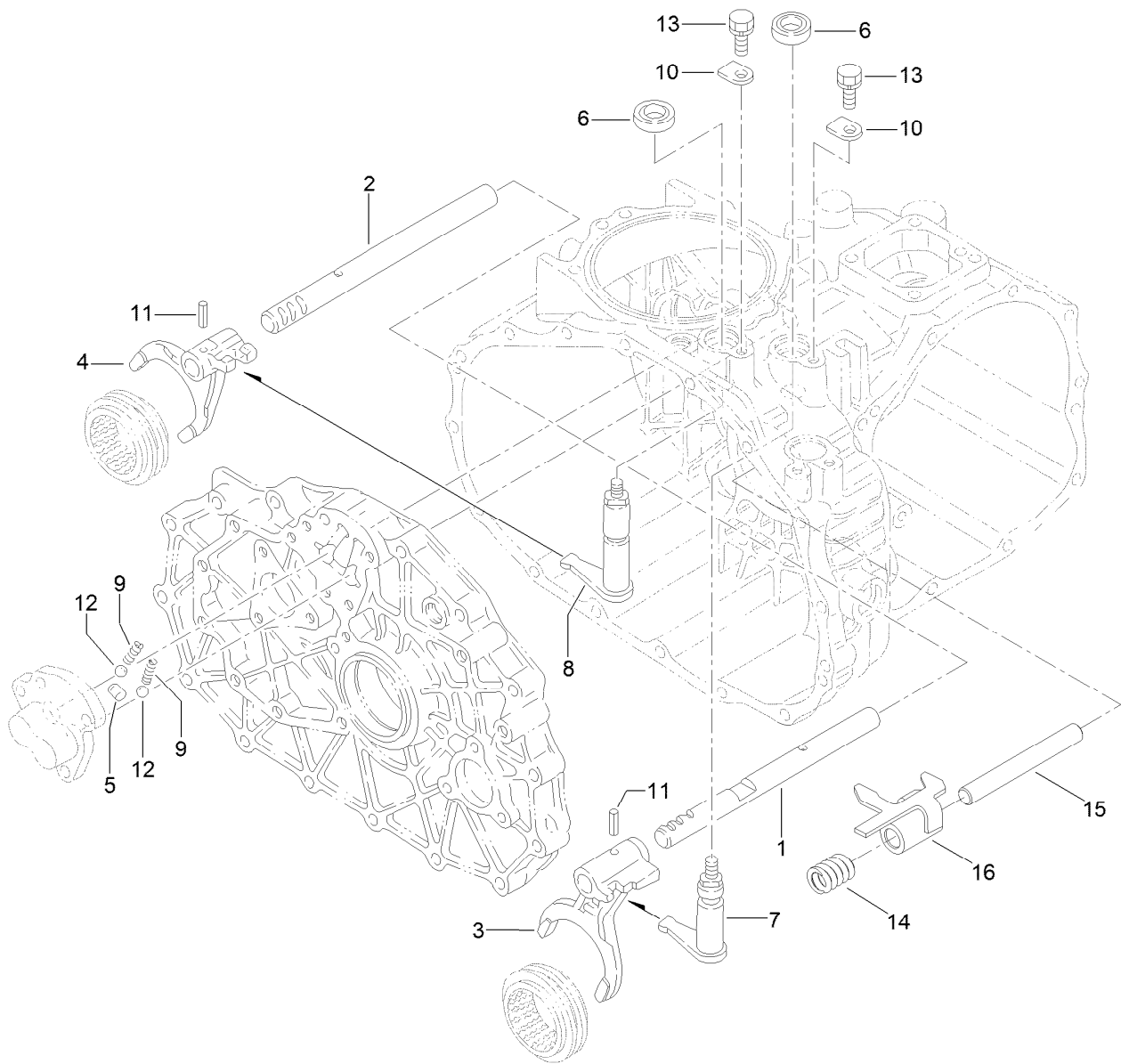
Reduction Shaft Assembly Transaxle Assembly No. 120-7610

<i>Ref.</i>	<i>Part Number</i>	<i>Qty.</i>	<i>Description</i>	<i>Ref.</i>	<i>Part Number</i>	<i>Qty.</i>	<i>Description</i>
1	92-0664	1	Hub-Synchro	11	92-0819	1	Gear-Reduction, 40 Tooth
2	92-0665	3	Key-Synchro	12	92-0681	2	Bearing-Needle
3	92-0666	2	Spring-Synchro	13	92-0682	1	Washer-Thrust
4	92-0667	1	Ring-Synchro	14	92-0740	1	Washer-Thrust
5	92-0668	1	Shifter-Synchro	15	92-0763	1	Ring-Snap
6	100-8599	1	Gear-Red, 25 Tooth	16	92-0772	1	Key
7	108-3697	1	Gear-Reduction, 47T	17	105-7985	1	Bearing
8	100-8601	1	Collar	18	92-0778	1	Bearing
9	127-3927	1	Shaft-Reduction	19	92-0782	1	Bearing-Needle
10	127-3928	1	Gear-Reduction, 31T				



Reverse Shaft Assembly Transaxle Assembly No. 120-7610

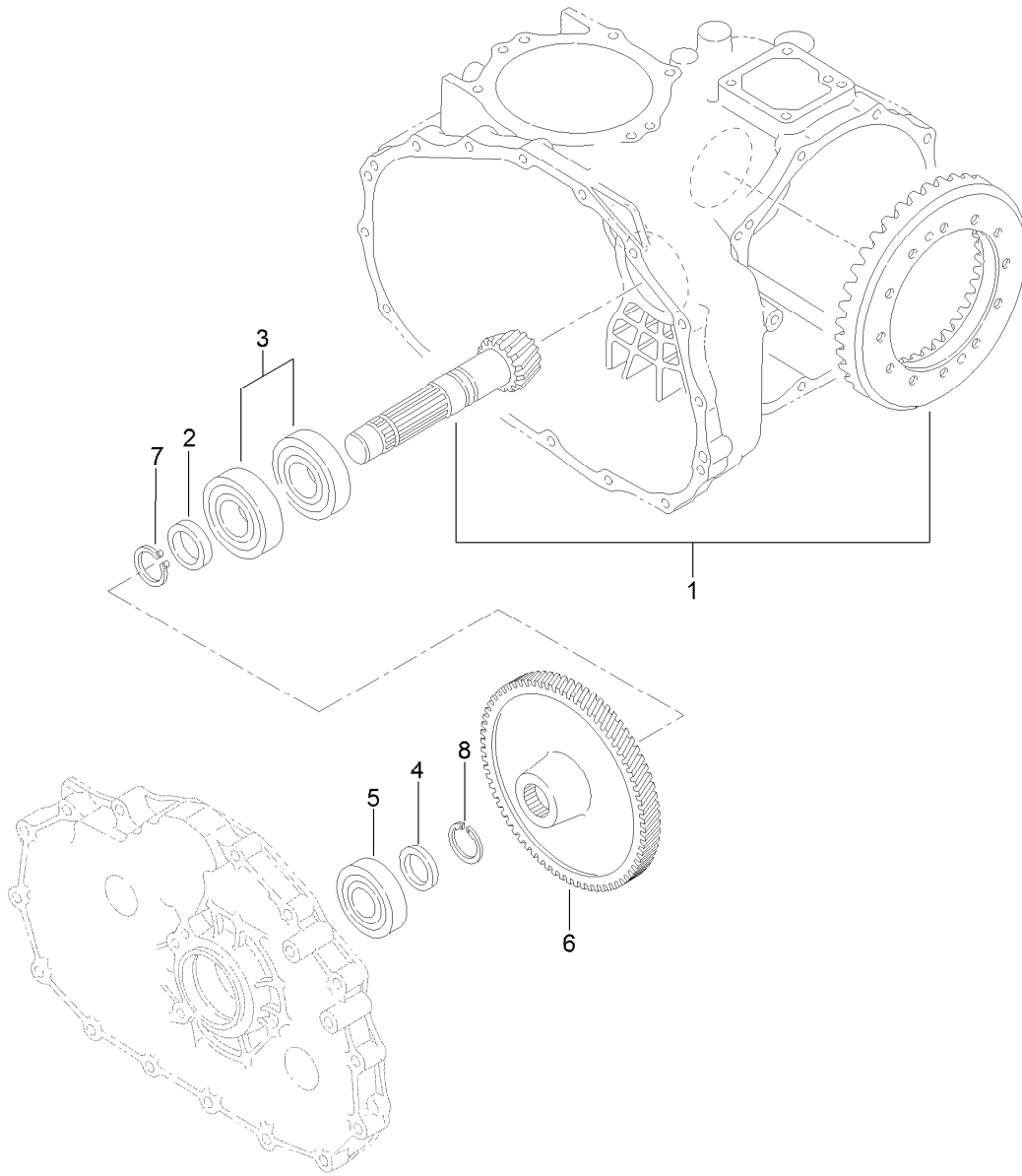
<i>Ref.</i>	<i>Part Number</i>	<i>Qty.</i>	<i>Description</i>
1	100-8602	1	Shaft-Idler, Reverse
2	92-0684	1	Gear-Reverse, 33 Tooth
3	251-346	1	Bearing-Ball
4	92-0778	1	Bearing



Main Shift Assembly Transaxle Assembly No. 120-7610

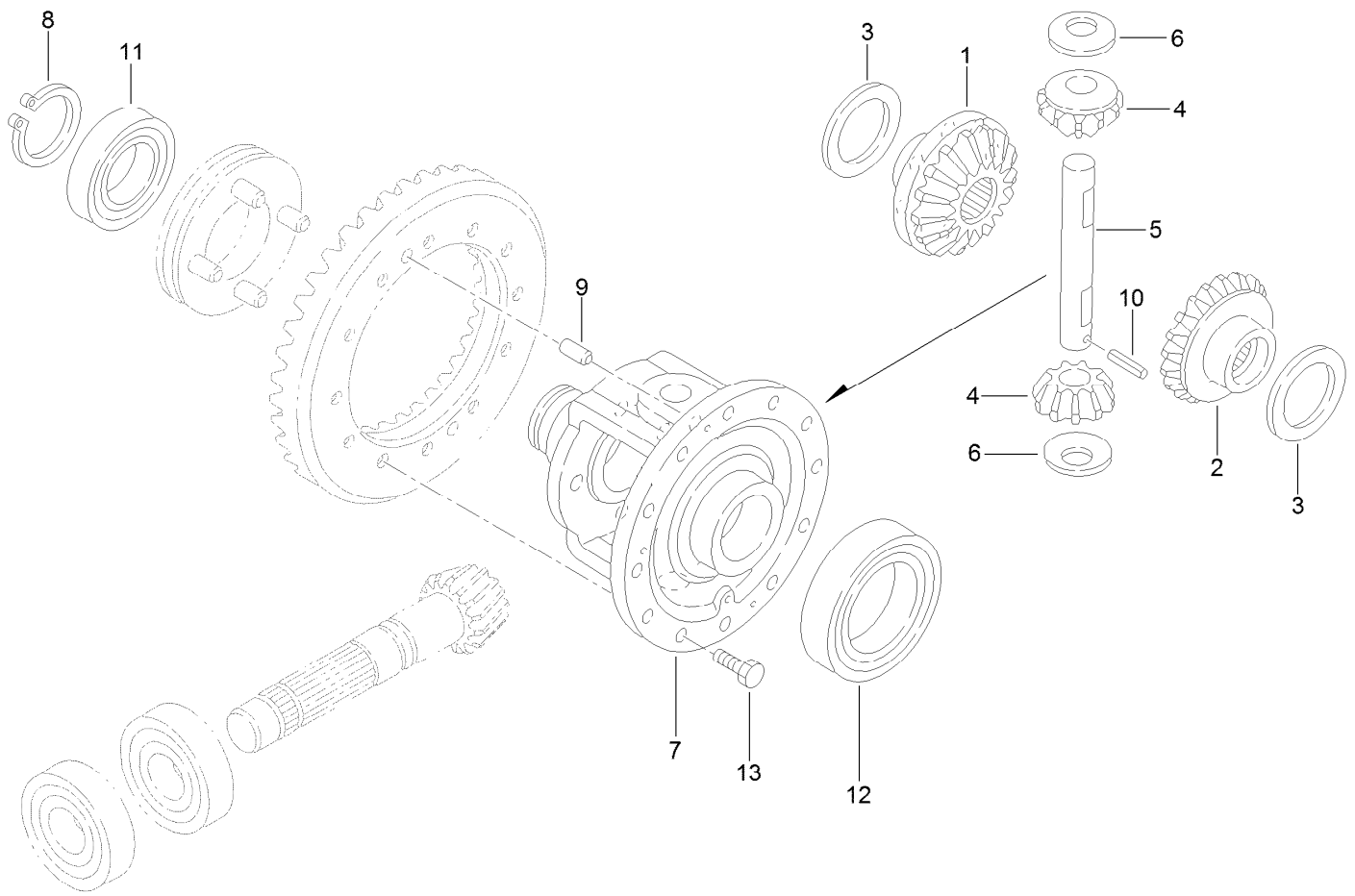
<i>Ref.</i>	<i>Part Number</i>	<i>Qty.</i>	<i>Description</i>	<i>Ref.</i>	<i>Part Number</i>	<i>Qty.</i>	<i>Description</i>
1	92-0698	1	Shaft-Fork	9	92-0731	2	Spring
2	92-0699	1	Shaft-Fork	10	92-0732	2	Plate-Keeper
3	92-0700	1	Fork-Shift	11	92-0769	2	Pin-Roll
4	92-0701	1	Fork-Shift	12	92-0785	2	Ball-Steel
5	92-0705	1	Lock-Spindle	13	33114-016	2	Screw-HH
6	92-0729	2	Seal-Oil	14	127-3931	1	Spring-Switch ●
7	127-3929	1	Arm-Shift	15	127-3932	1	Shaft-Switch ●
8	127-3930	1	Arm-Shift	16	127-3933	1	Plate-Switch ●

● Not illustrated



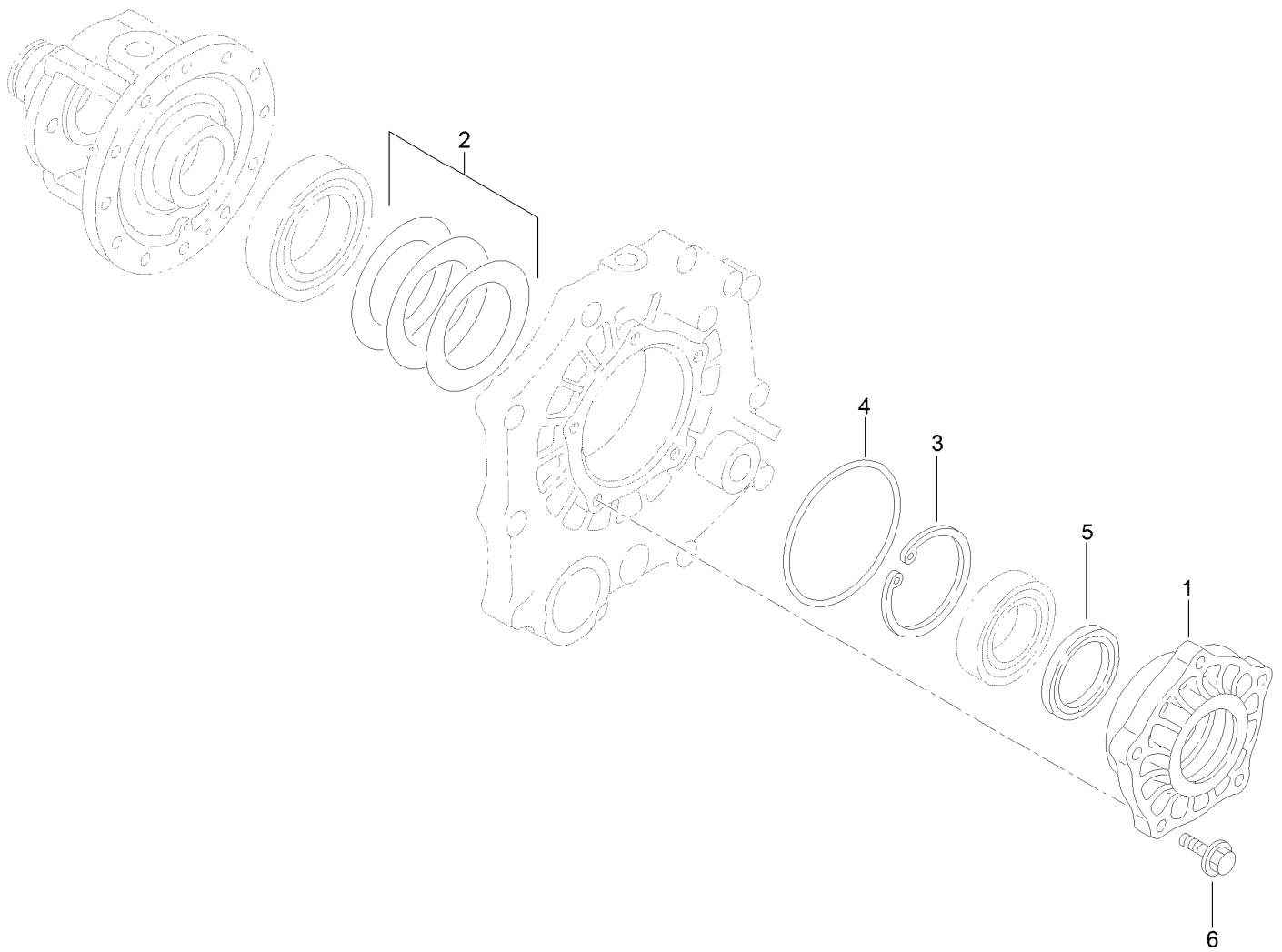
Counter Shaft Assembly Transaxle Assembly No. 120-7610

<i>Ref.</i>	<i>Part Number</i>	<i>Qty.</i>	<i>Description</i>
1	92-0710	1	Gear-Ring
2	92-0713	1	Collar
3	92-0714	2	Bearing
4	92-0716	1	Collar
5	92-0712	1	Bearing-Ball
6	100-8603	1	Gear-Count
7	92-0755	1	Ring-Snap
8	92-0764	1	Ring-Snap



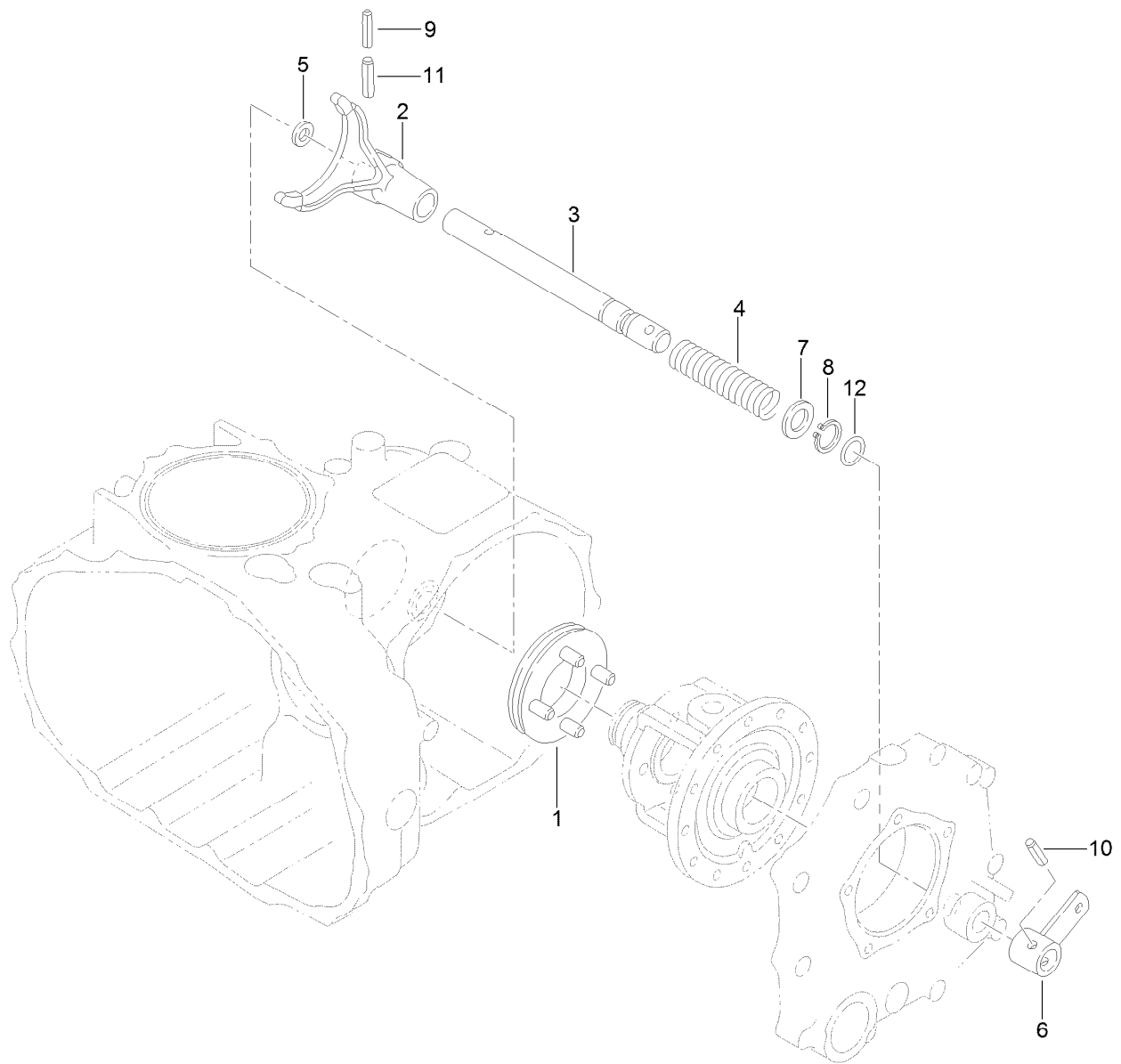
Differential Gear Assembly Transaxle Assembly No. 120-7610

<i>Ref.</i>	<i>Part Number</i>	<i>Qty.</i>	<i>Description</i>
1	92-0745	1	Gear-Side, LH
2	92-0746	1	Gear-Side, RH
3	92-0747	2	Side-Gear, Left Inner
4	92-0748	2	Pinion-Differential
5	92-0749	1	Shaft-Pinion
6	92-0750	2	Washer
7	92-0720	1	Case-Differential
8	92-0756	1	Ring-Snap
9	92-0765	2	Pin-Parallel
10	92-0768	1	Pin-Roll, Spring
11	92-0775	1	Bearing
12	92-0776	1	Bearing
13	92-0803	12	Bolt



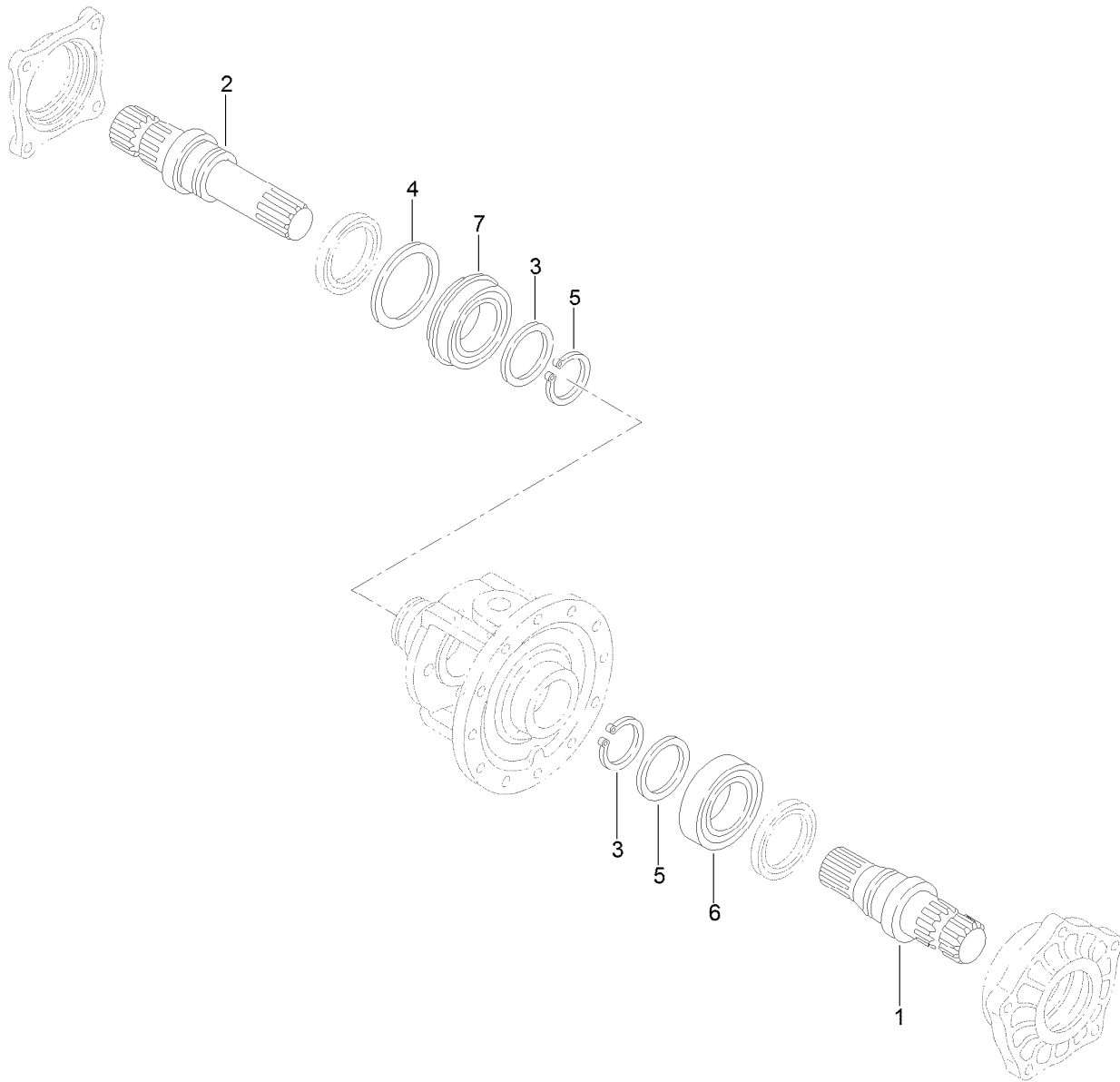
Differential Carrier Assembly Transaxle Assembly No. 120-7610

<i>Ref.</i>	<i>Part Number</i>	<i>Qty.</i>	<i>Description</i>
1	92-0654	1	Carrier-Differential
2	92-0809	1	Set-Shim
3	92-0760	1	Ring-Snap
4	92-0789	1	O-Ring
5	92-0793	1	Seal-Oil
6	48-7730	5	Screw-Cap, HH



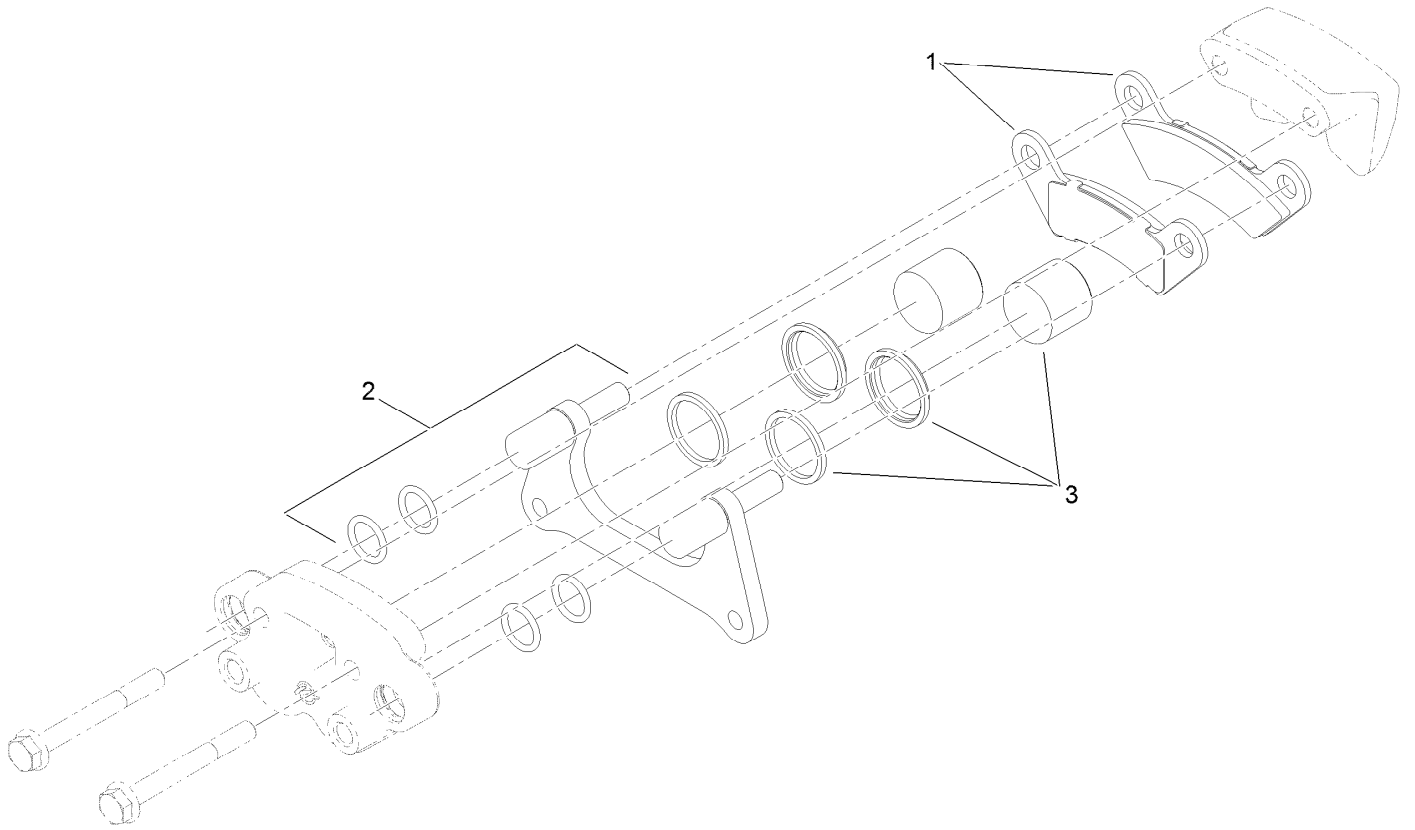
Differential Lock Assembly Transaxle Assembly No. 120-7610

<i>Ref.</i>	<i>Part Number</i>	<i>Qty.</i>	<i>Description</i>
1	92-0730	1	Slider-Differential, Lock
2	92-0721	1	Fork-Lock, Differential
3	92-0722	1	Shaft-Fork, Lock Differential
4	92-0723	1	Spring-Lock, Differential
5	92-0744	1	Washer
6	92-0724	1	Arm-Lock, Differential
7	92-0733	1	Washer
8	92-0753	1	Ring-Snap
9	92-0768	1	Pin-Roll, Spring
10	92-0770	1	Pin-Roll, Spring
11	92-0771	1	Pin-Roll, Spring
12	92-0787	1	O-Ring



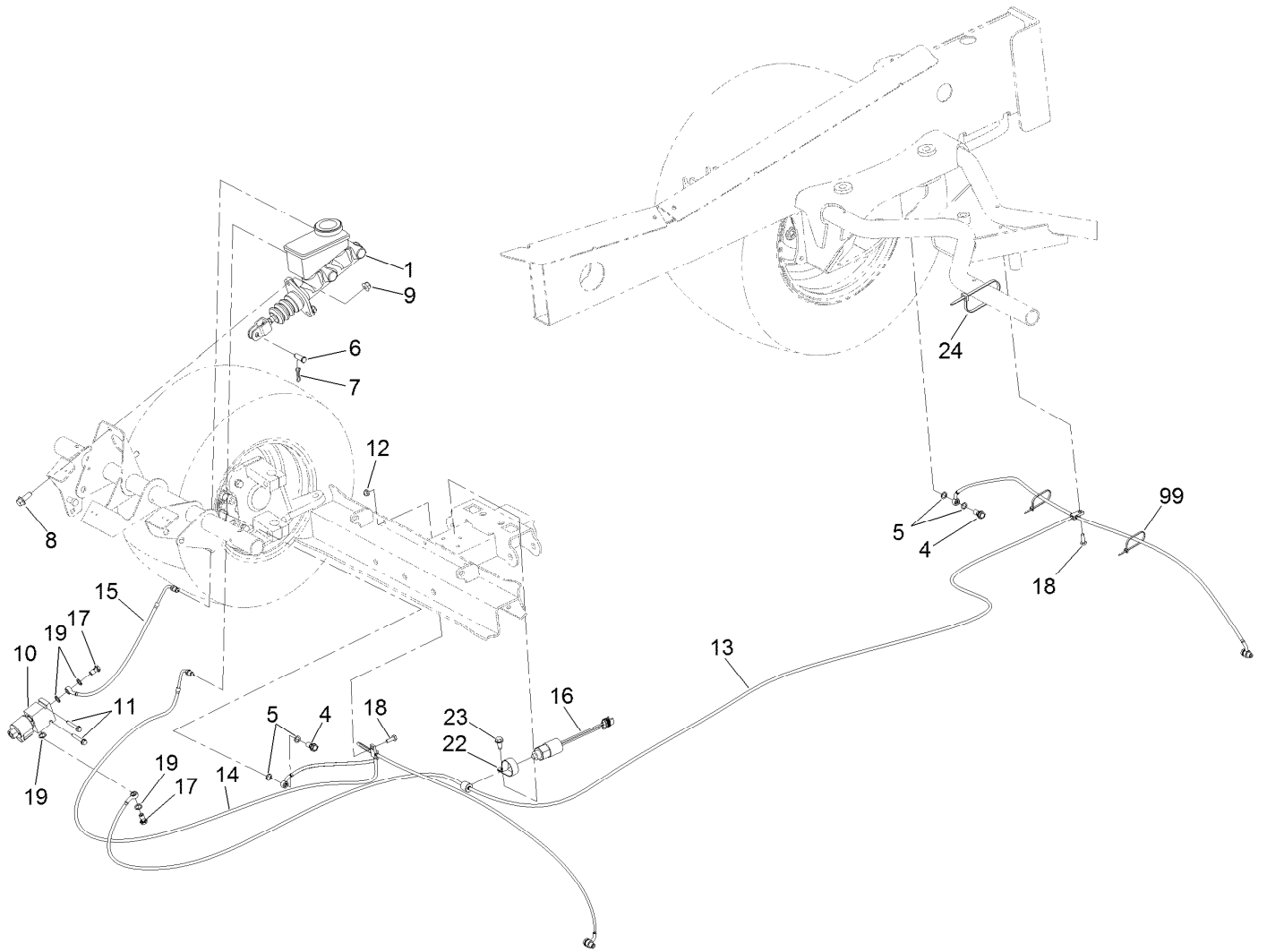
Axle Shaft Assembly Transaxle Assembly No. 120-7610

<i>Ref.</i>	<i>Part Number</i>	<i>Qty.</i>	<i>Description</i>
1	92-0725	1	Shaft-Axle, Left
2	92-0726	1	Shaft-Axle, Right
3	92-0727	2	Washer
4	92-0728	1	Washer
5	92-0756	2	Ring-Snap
6	92-0775	1	Bearing
7	92-0780	1	Bearing



Brake Caliper Assembly No. 127-7424

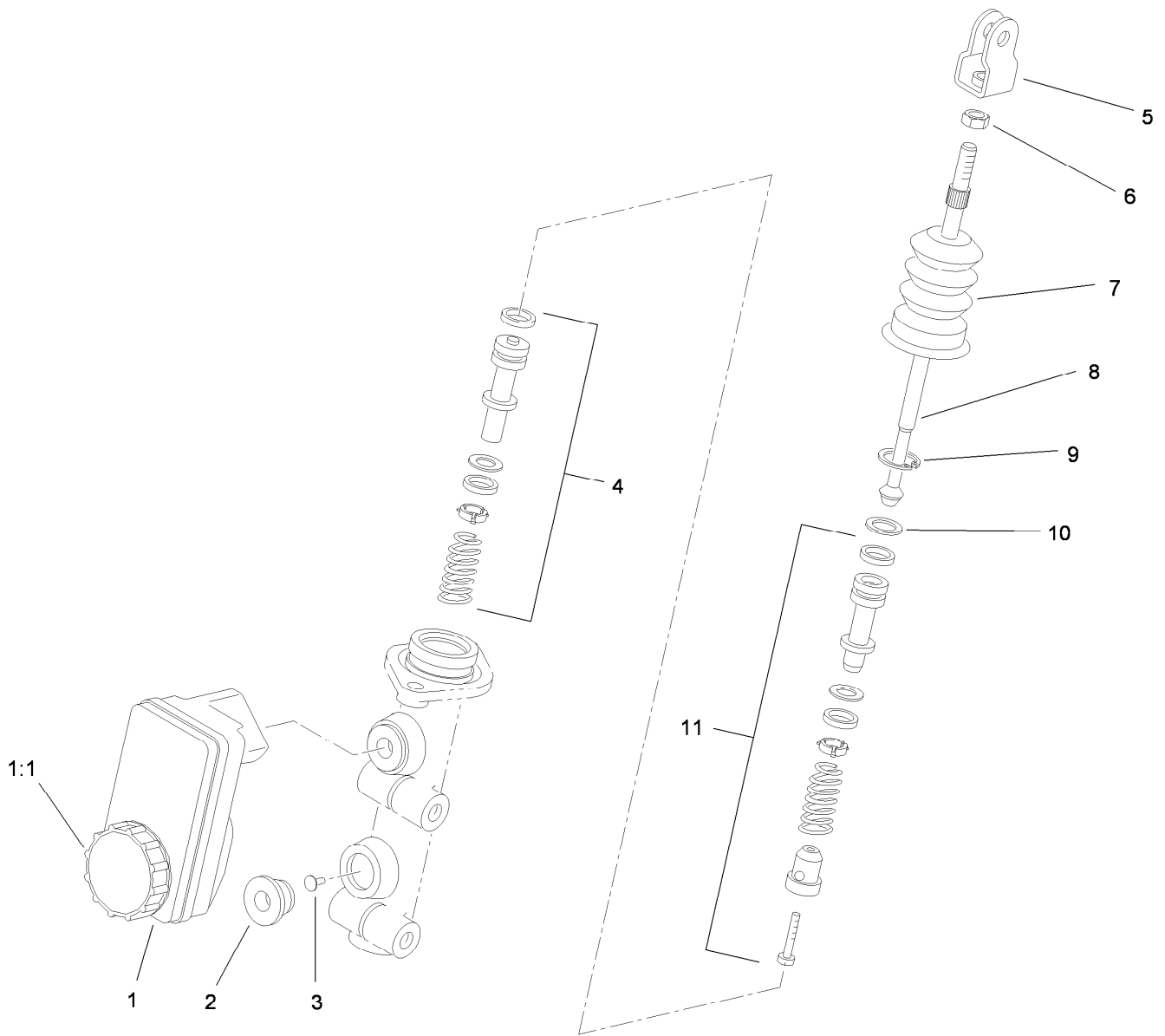
<i>Ref.</i>	<i>Part Number</i>	<i>Qty.</i>	<i>Description</i>
1	133-0628	1	Brake Pad Kit
2	119-9511	1	Bracket Kit
3	133-0614	1	Piston Kit



Brake Hydraulic Assembly

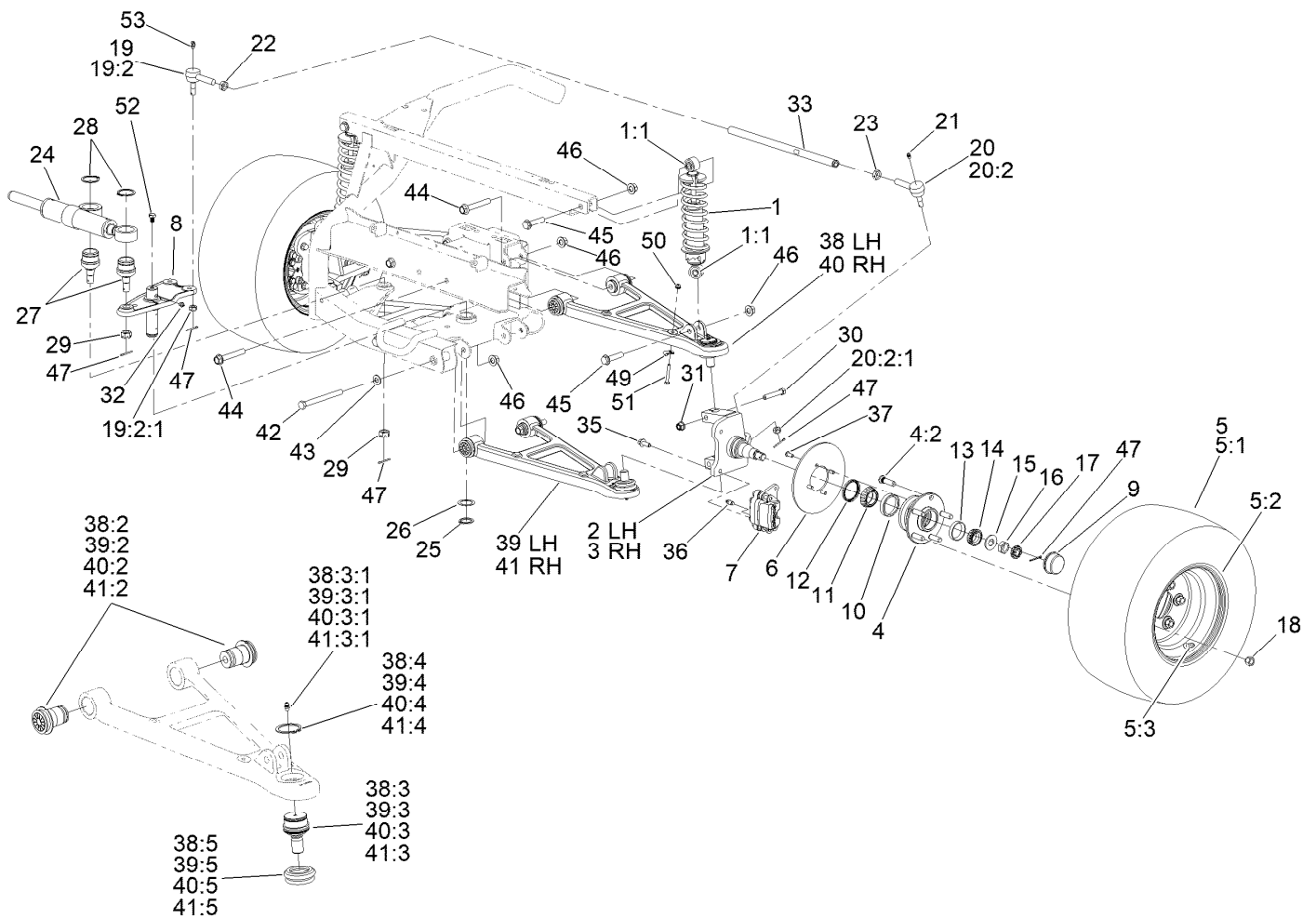
Ref.	Part Number	Qty.	Description
1	104-6782	1	Master Cylinder ASM
4	120-4875	4	Bolt-Flange, Banjo
5	115-2341	8	Washer-Banjo
6	283-2	1	Pin-Clevis
7	119-1415	1	Pin-Cotter, Locking
8	3234-11	2	Screw-HHF
9	104-8301	2	Nut-HF, NI
10	125-0900	1	Valve-Brake Hold
11	94-2691	2	Screw-HWH Taptite
12	104-7201	1	Nut-HF, NI
13	125-7998	1	Line-Brake, Rear

Ref.	Part Number	Qty.	Description
14	125-7999	1	Line-Brake, Front
15	125-8000	1	Line-Brake, Solenoid
16	130-7148	1	Switch-Pressure
17	125-8005	2	Bolt-Banjo
18	321-4	2	Screw-HH
19	127-3914	4	Washer-Banjo
22	2412-74	1	R-Clamp
23	32104-32	1	Screw-HWH
24	3290-378	3	Tie-Cable
99	3290-379	6	Tie-Cable



Master Cylinder Assembly No. 104-6782

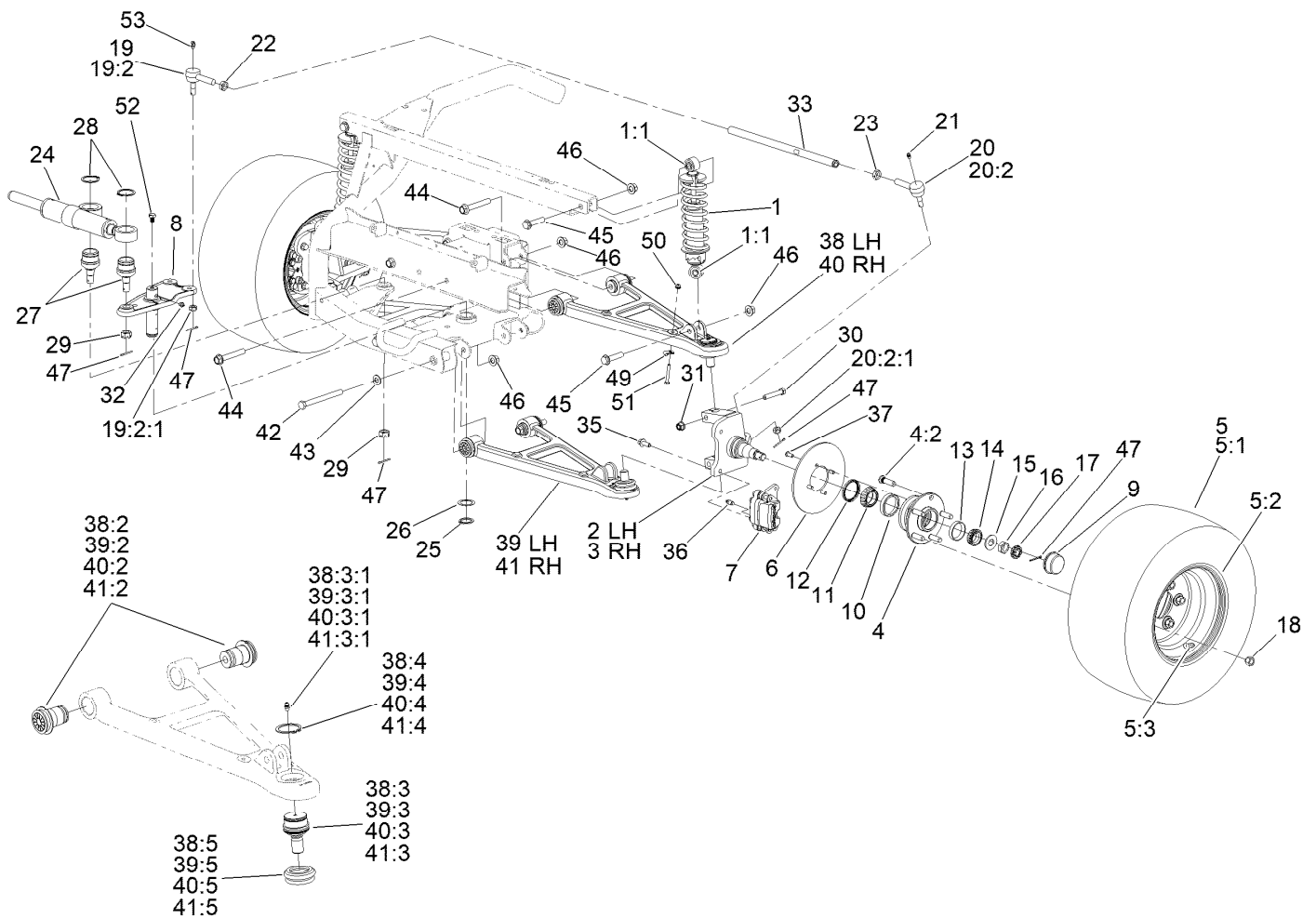
Ref.	Part Number	Qty.	Description
1	104-6845	1	Reservoir ASM
1:1	92-4112	1	Cap ASM
2	93-8971	2	Seal-Port, Flange
3	92-4103	1	Pin-Stop
4	92-4102	1	Secondary Piston ASM
5	92-4110	1	Clevis
6	21-0360	1	Nut-Hex
7	94-5209	1	Cover-Dust
8	94-5210	1	Rod-Push
9	92-4109	1	Ring-Snap
10	92-4108	1	Retainer-Washer
11	92-4101	1	Primary Piston ASM



Front Suspension Assembly

Ref.	Part Number	Qty.	Description	Ref.	Part Number	Qty.	Description
1	147-3170	2	Shock ASM - Coil Over	14	254-94	2	Bearing-Cone, Tapered
1:1	131-8574	2	Isolator-Shock	15	93-0309	2	Washer-Tab
2	147-3160	1	Spindle, LH	16	3220-7	2	Nut-Jam
3	147-4654	1	Spindle, RH	17	93-0307	2	Nut-Lock, Retainer
4	117-8071	2	Hub ASM	18	139-2564	10	Nut-Lug
4:2	10-6830	5	Stud-Type, Drive	19	112772-03	2	Joint-Ball, RH
5	125-0763	2	Tire And Wheel ASM	19:2		1	Socket-Balljoint ●
5:1	120-7639	1	Tire	19:2:1	915031	1	Nut
5:2	125-0764	1	Wheel	20	112771-03	2	Joint-Ball, LH
5:3	232-27	1	Stem-Valve	20:2		1	Socket-Balljoint ●
6	136-6295	2	Rotor-Brake	20:2:1	915031	1	Nut
7	127-7424	2	Brake Caliper ASM	21	302-5	2	Fitting-Grease
8	137-1602	1	Pitman Arm (Mach)	22	3220-11	2	Nut-Jam
9	241-119	2	Cap-Dust	23	3218-21	2	Nut-Jam LH
10	254-107	2	Cup-Bearing, Tapered	24	125-0720	1	Cylinder-Hydraulic, Steering
11	254-106	2	Cone-Bearing, Tapered	25	32151-77	1	Ring-Retaining, External
12	108-7019	2	Seal-Shaft	26	76-2980	1	Washer-Thrust
13	254-72	2	Bearing-Cup, Tapered	27	117-9875	2	Joint-Ball

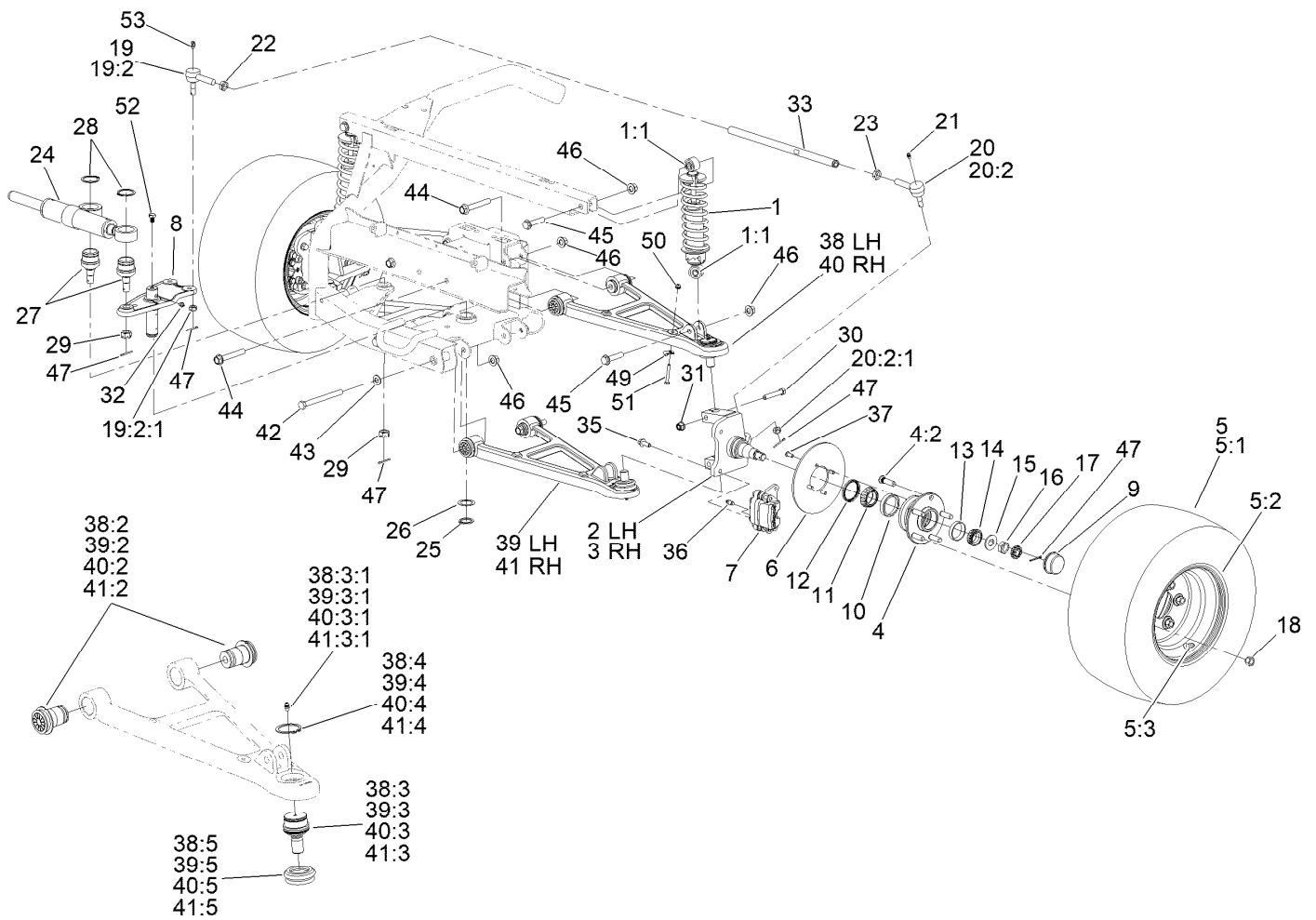
● Not serviced separately



Front Suspension Assembly (continued)

Ref.	Part Number	Qty.	Description	Ref.	Part Number	Qty.	Description
28	32151-104	2	Ring-Retaining, External	39:3:1	302-5	1	Fitting-Grease
29	32136-2	2	Nut-SHH	39:4	32151-104	1	Ring-Retaining, External
30	324-10	4	Screw-HH	39:5	87-2420	1	Seal-Joint, Ball
31	114-8417	4	Nut-HF, NI	40	125-8023	1	RH Upper Control Arm ASM
32	302-52	1	Fitting-Grease	40:2	87-1450	2	Bushing-Flange
33	115-7654	2	Tie Rod	40:3	115-2165	1	Ball Joint
35	3234-11	4	Screw-HHF	40:3:1	302-5	1	Fitting-Grease
36	119-9509	2	Screw-Bleed	40:4	32151-104	1	Ring-Retaining, External
37	3274-55	8	Screw-HSBH	40:5	87-2420	1	Seal-Joint, Ball
38	125-8021	1	LH Upper Control Arm ASM	41	125-8024	1	RH Lower Control Arm ASM
38:2	87-1450	2	Bushing-Flange	41:2	87-1450	2	Bushing-Flange
38:3	115-2165	1	Ball Joint	41:3	115-2165	1	Ball Joint
38:3:1	302-5	1	Fitting-Grease	41:3:1	302-5	1	Fitting-Grease
38:4	32151-104	1	Ring-Retaining, External	41:4	32151-104	1	Ring-Retaining, External
38:5	87-2420	1	Seal-Joint, Ball	41:5	87-2420	1	Seal-Joint, Ball
39	125-8022	1	LH Lower Control Arm ASM	42	325-22	2	Screw-HH
39:2	87-1450	2	Bushing-Flange	43	3256-26	2	Washer-Flat
39:3	115-2165	1	Ball Joint	44	114-8419	6	Screw-HHF

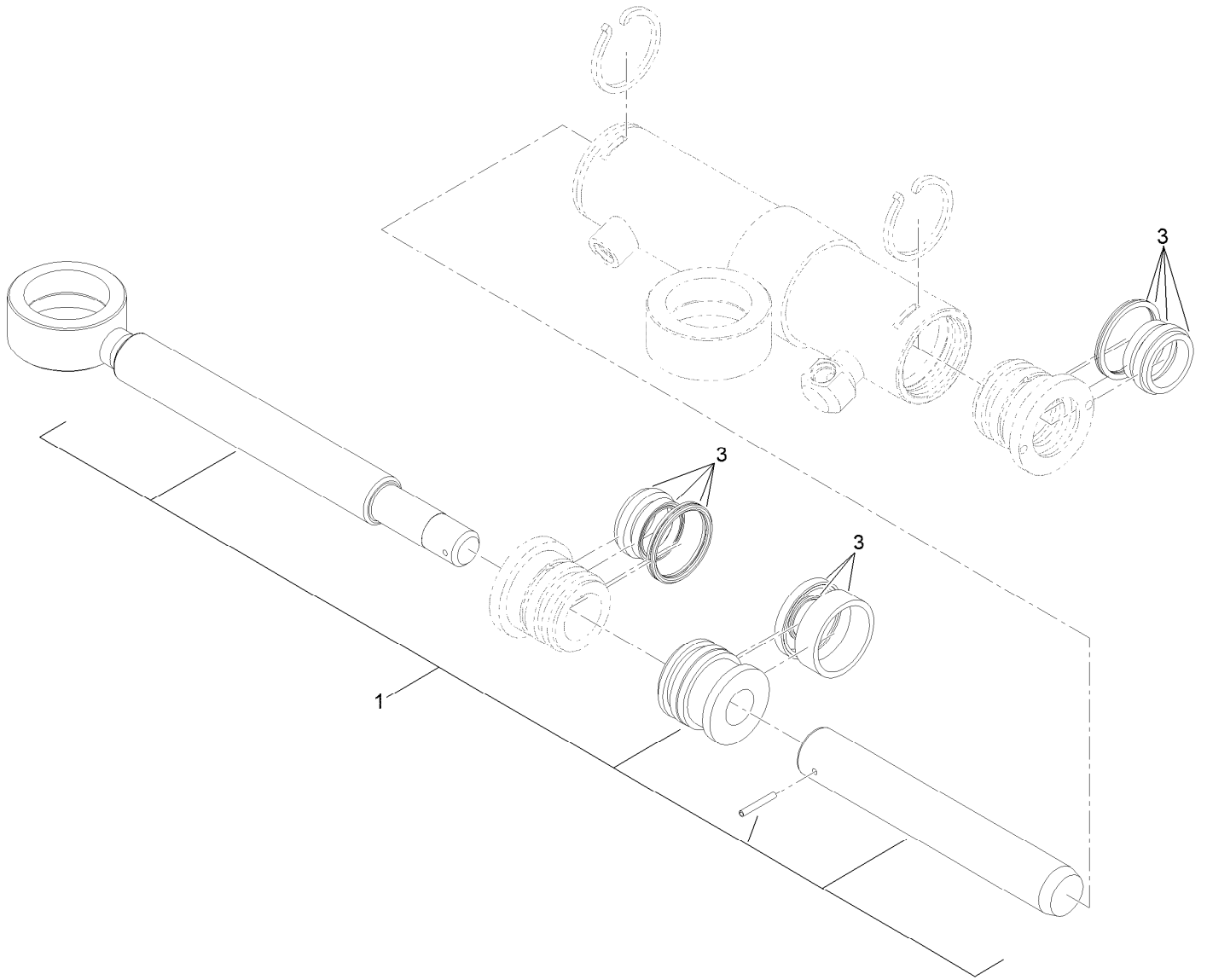
● Not serviced separately



Front Suspension Assembly (continued)

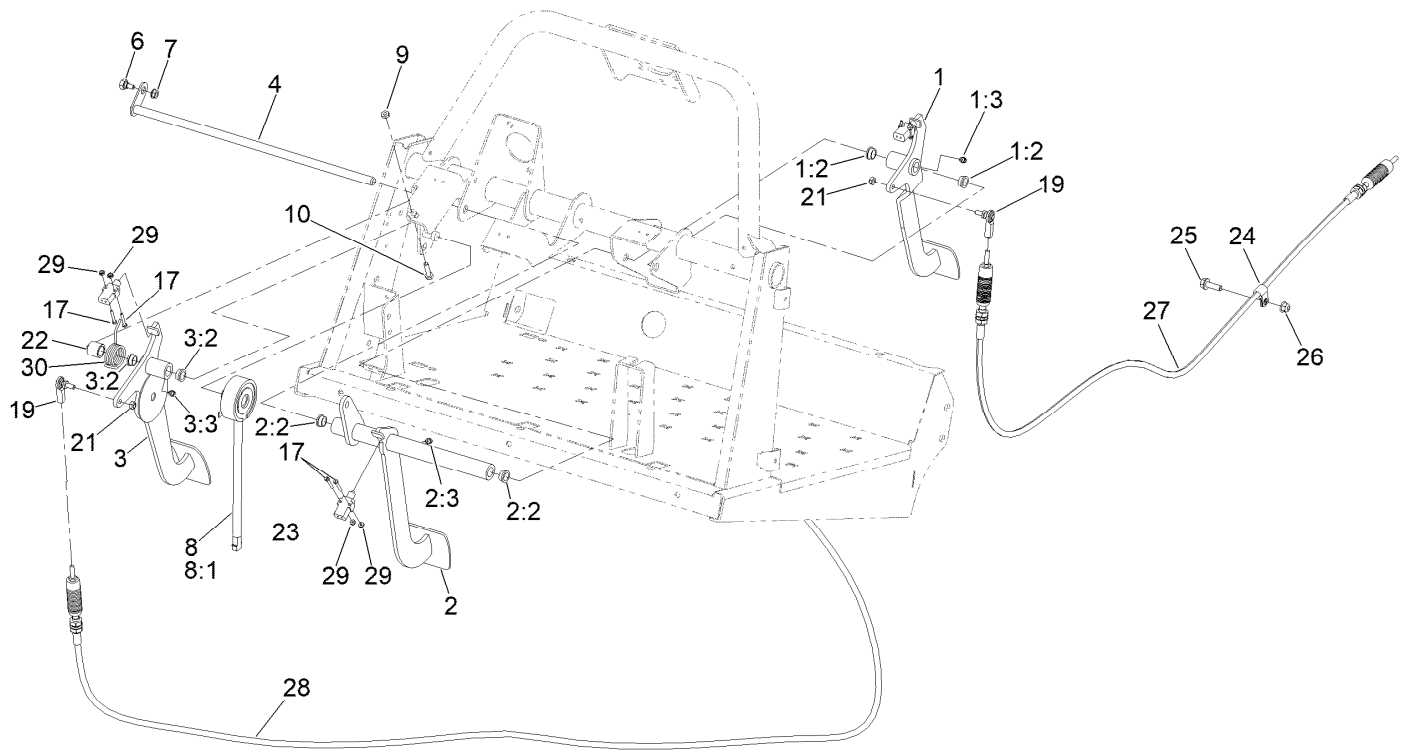
Ref.	Part Number	Qty.	Description	Ref.	Part Number	Qty.	Description
45	3234-46	4	Screw-HHF	50	104-7201	2	Nut-HF, NI
46	99-5107	12	Nut-HF Nylock	51	321-11	2	Screw-HH
47	3272-12	8	Pin-Cotter	52	302-60	2	Fitting-Grease
49	2412-72	2	Clip-Closed, Insulated	53	138-6279	1	Screw-Cap, HH

● Not serviced separately



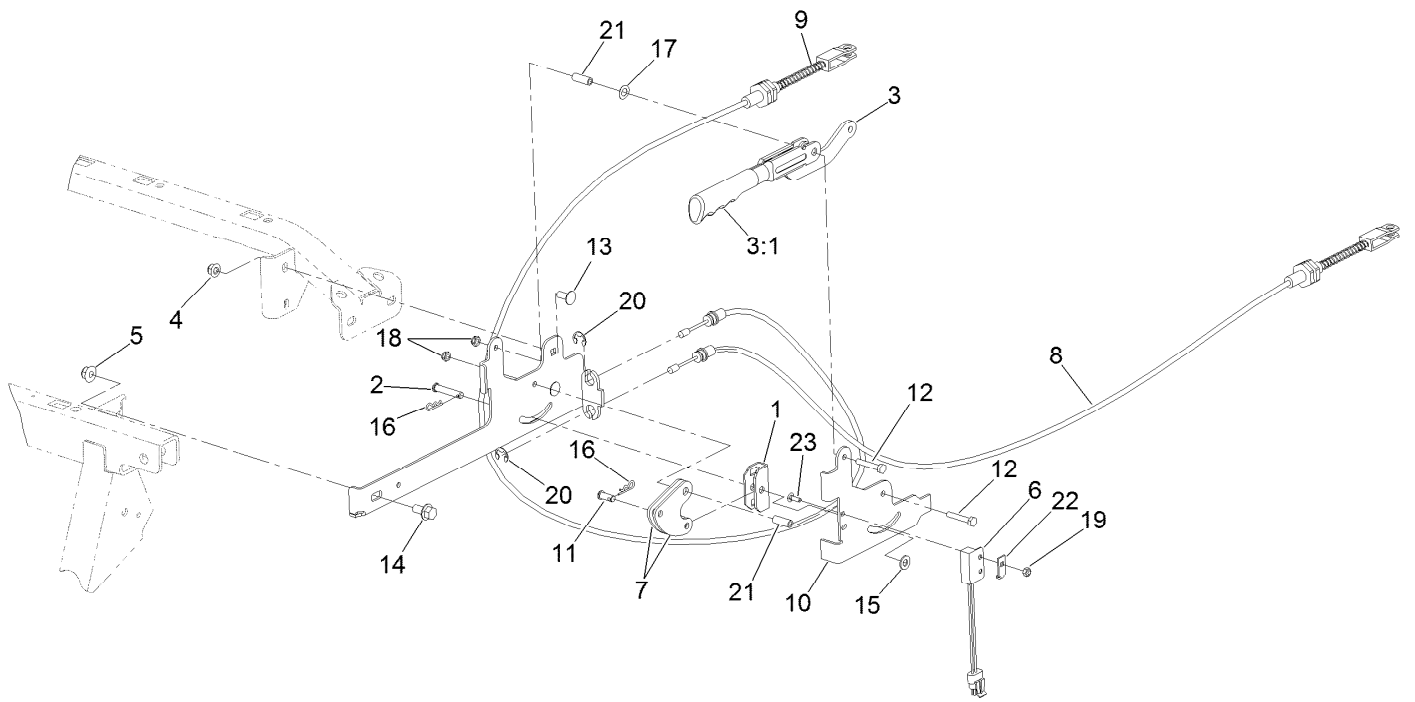
Hydraulic Cylinder Assembly No. 125-0720

<i>Ref.</i>	<i>Part Number</i>	<i>Qty.</i>	<i>Description</i>
1	125-0722	1	Rod-Cylinder
3	115-2160	1	Cylinder Repair Kit



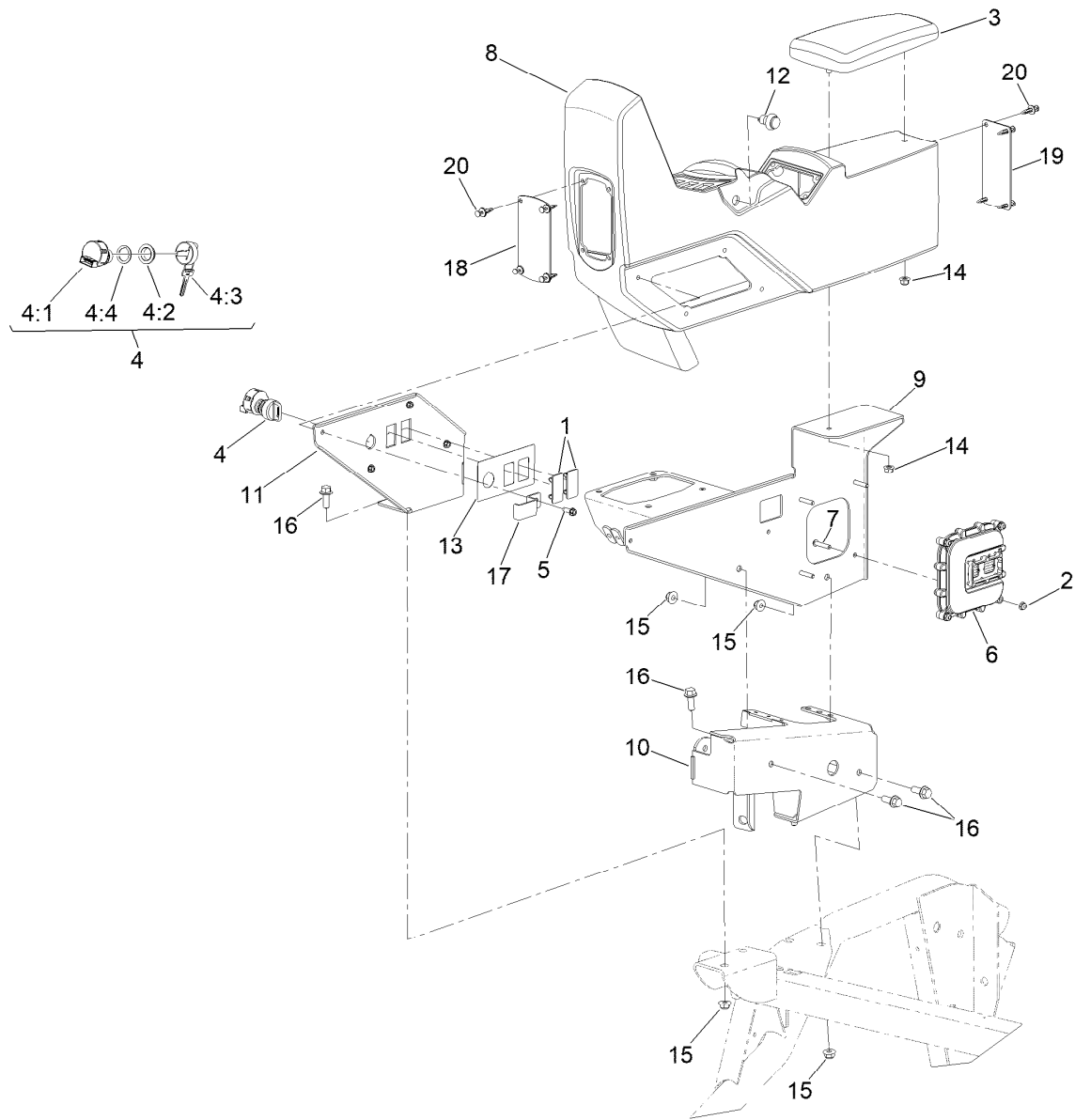
Pedal Assembly

<i>Ref.</i>	<i>Part Number</i>	<i>Qty.</i>	<i>Description</i>	<i>Ref.</i>	<i>Part Number</i>	<i>Qty.</i>	<i>Description</i>
1	147-3587	1	Pedal, Clutch ASM	9	3218-1	1	Nut-Jam
1:2	256-156	2	Bushing-Flange	10	321-6	1	Screw-HH
1:3	302-5	1	Fitting-Grease	17	32105-9	6	Screw-HH
2	147-3585	1	Pedal, Brake ASM	19	110-2554	2	Rod End-Spherical
2:2	256-156	2	Bushing-Flange	21	3296-13	2	Nut-Lock, NI
2:3	302-5	1	Fitting-Grease	22	99-2079	1	Spacer
3	147-3586	1	Pedal, Accelerator ASM	23	99-3410	3	Switch
3:2	256-156	2	Bushing-Flange	24	2412-93	1	Clamp-R
3:3	302-5	1	Fitting-Grease	25	3234-17	1	Screw-HHF
4	125-0825	1	Pivot	26	104-8300	1	Nut-HF, NI
6	63-3410	1	Screw-Shoulder	27	125-0957	1	Cable-Clutch
7	32128-33	1	Nut-HF	28	125-0958	1	Cable-Accelerator
8	99-8090	1	Magnet ASM	29	3296-9	6	Nut-Hex
8:1	93-6601	1	Spring-Compression	30	130-7060	1	Spring-Torsion, LH



Parking Brake Lever and Cable Assembly

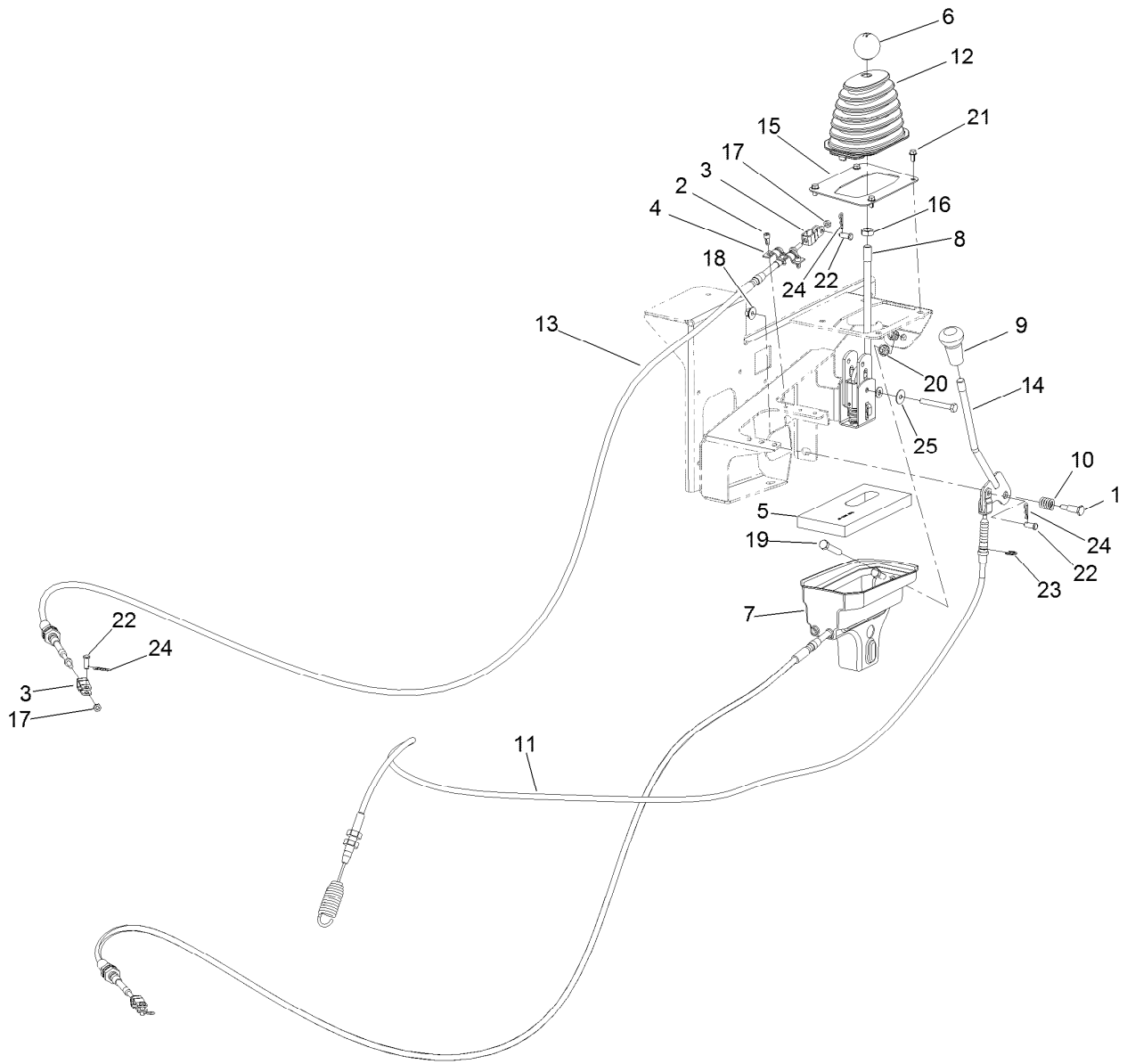
<i>Ref.</i>	<i>Part Number</i>	<i>Qty.</i>	<i>Description</i>	<i>Ref.</i>	<i>Part Number</i>	<i>Qty.</i>	<i>Description</i>
1	87-3480	1	Bracket-Equalizer, Cable	12	321-9	2	Screw-HH
2	94-3829	1	Pin-Clevis	13	3230-23	2	Bolt-CARR
3	127-8863	1	Lever-Brake, Park	14	3234-1	1	Screw-HHF
3:1	127-8864	1	Grip-Handle	15	3256-23	1	Washer-Plain
4	104-8300	2	Nut-HF, NI	16	3290-307	2	Pin-Cotter
5	104-8301	1	Nut-HF, NI	17	3290-477	1	Washer-Curved
6	105-0023	1	Sensor, Switch-Proximity	18	3296-56	2	Nut-Lock, NI
7	106-7814	2	Bellcrank	19	3296-2	1	Nut-Lock, NI
8	136-2444	1	Cable-Parking Brake, LH	20	32120-47	2	Ring-Retaining, External
9	136-2445	1	Cable-Parking Brake, RH	21	114402	2	Spacer
10	136-2353-0P	1	Parking Brake ASM [primed]	22	100-4872	1	Plate-Switch, Neutral
11	283-62	1	Pin-Clevis	23	3229-34	1	Screw-CARR



Control Console Mount Assembly

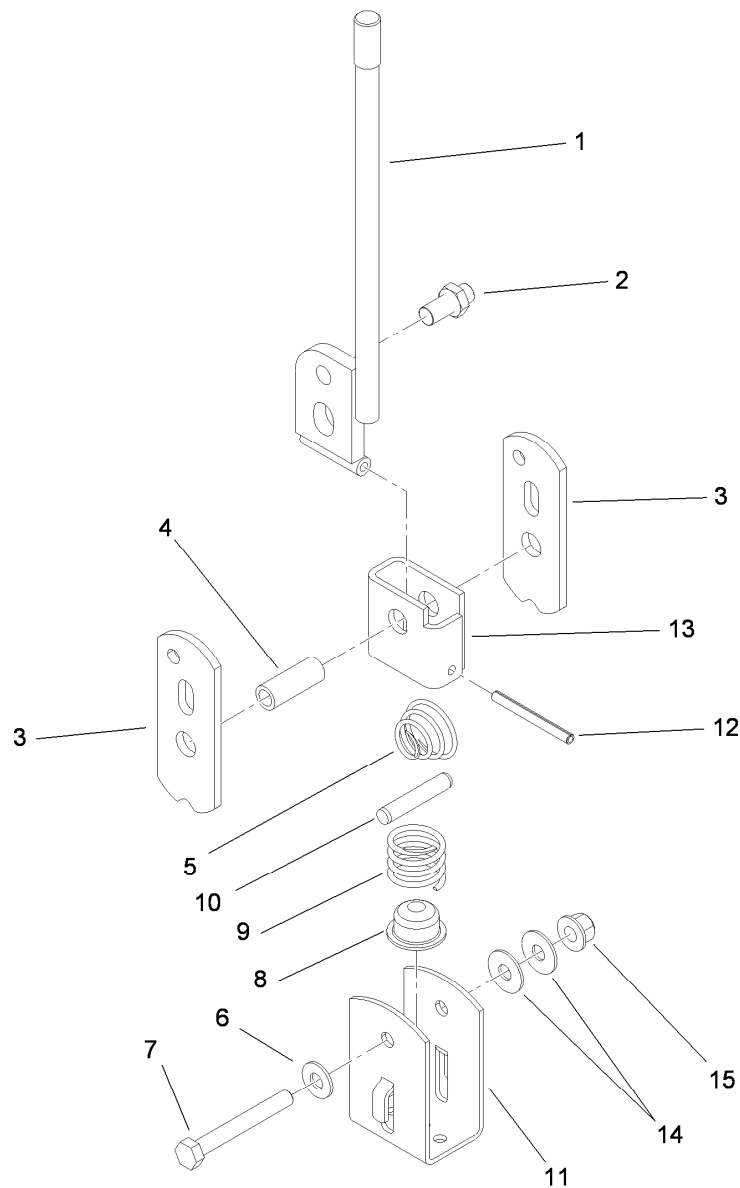
Ref.	Part Number	Qty.	Description	Ref.	Part Number	Qty.	Description
1	99-7420	2	Plug-Hole	10	125-4188-0P	1	Shifter-Mount [primed]
2	104-7201	4	Nut-HF, NI	11	125-4191-03	1	Console Mount ASM
3	108-7602	1	Rest-Arm	12	125-7996	1	Switch-Pb, Momentary
4	110-2580	1	Switch-Key, Supervisor	13	125-8114	1	Decal-Control Panel
4:1		1	Switch-Key ●	14	104-8300	2	Nut-HF, NI
4:2	108-8660	1	Nut-Mounting	15	104-8301	6	Nut-HF, NI
4:3	110-5221	1	Set-Key, Supervisor	16	3234-11	6	Screw-HHF
4:4	108-8659	1	Washer-Backup	17	136-2309	1	Bracket-Mount, Radio
5	49-2040	4	Screw-HWHTF	18	147-4692-03	1	Plate-Cover, Front
6	122-3374	1	Controller	19	147-4693-03	1	Plate-Cover, Rear
7	120-0834	4	Screw-HSBH	20	125-9622	8	Rivet-Blind
8	161-4147	1	Console-Armrest				
9	125-4108-0P	1	Console-Mount ASM [primed]				

● Not serviced separately



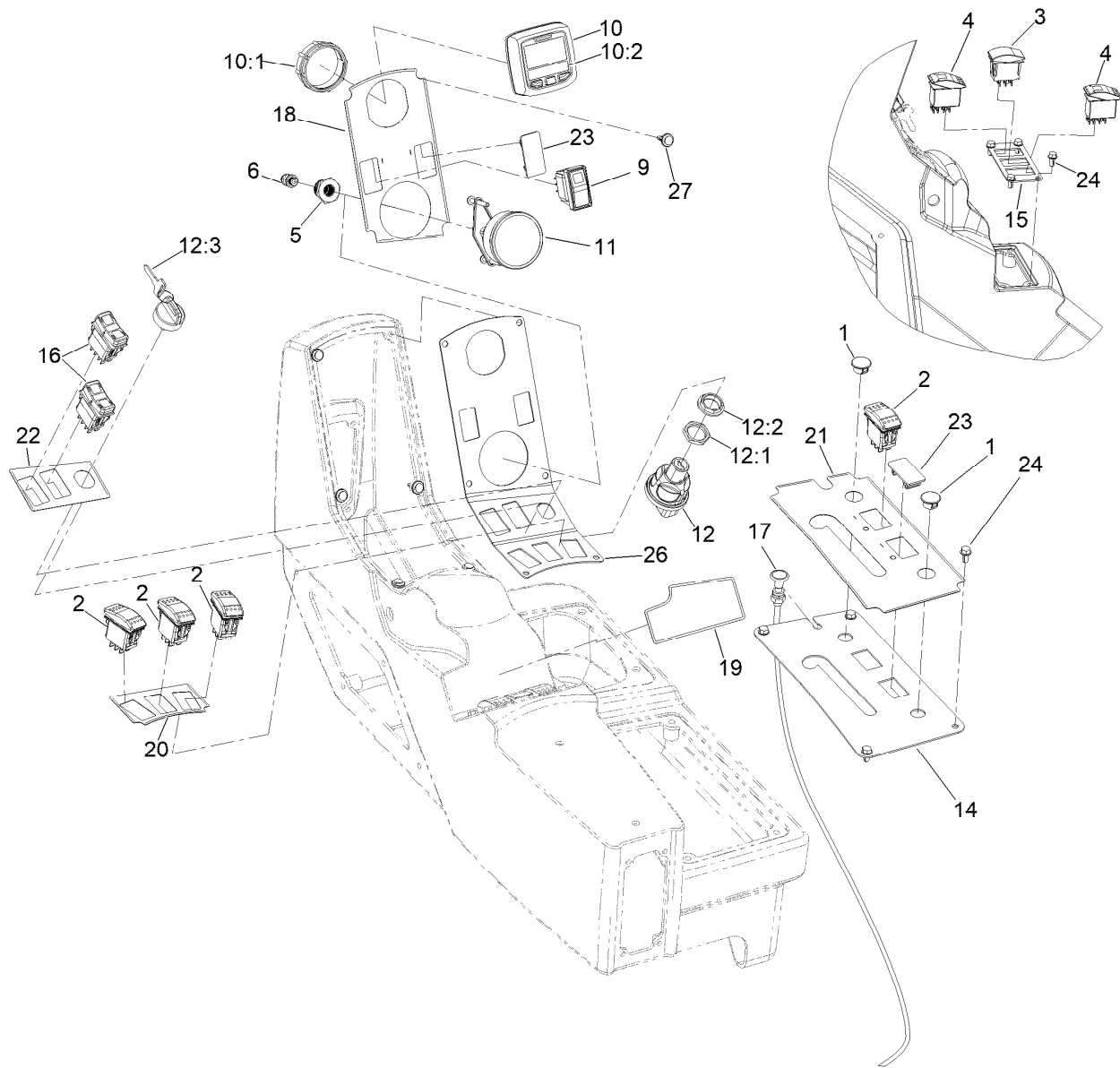
Gear Shift and Drift Lock Control Assembly

Ref.	Part Number	Qty.	Description	Ref.	Part Number	Qty.	Description
1	63-2650	1	Screw-Shoulder	13	125-0880	2	Cable-Shift
2	65-5220	3	Screw-HSH, Thread Forming	14	125-0894	1	Handle-Difflock
3	87-2310	4	Clevis-Cable	15	125-8030-03	1	Cover-Shifter
4	87-4960	1	Clamp-Cable	16	3218-18	1	Nut-Jam
5	87-6570	1	Seal-Boot, Lower	17	3220-1	4	Nut-Jam
6	87-6720	1	Knob-Shift	18	32128-13	1	Nut-HF
7	106-2376	1	Boot-Shift, Lower	19	323-10	2	Screw-HH
8	106-7887	1	Shift ASM	20	3290-357	2	Nut-HSF
9	106-7952	1	Knob	21	93-6083	4	Screw-HWH
10	136-7121	1	Spring-Compression	22	283-62	5	Pin-Clevis
11	115-2287	1	Cable-Lock, Differential	23	32120-47	1	Ring-Retaining, External
12	117-8063	1	Boot-Shift	24	3290-307	5	Pin-Cotter
				25	108-4925	1	Washer



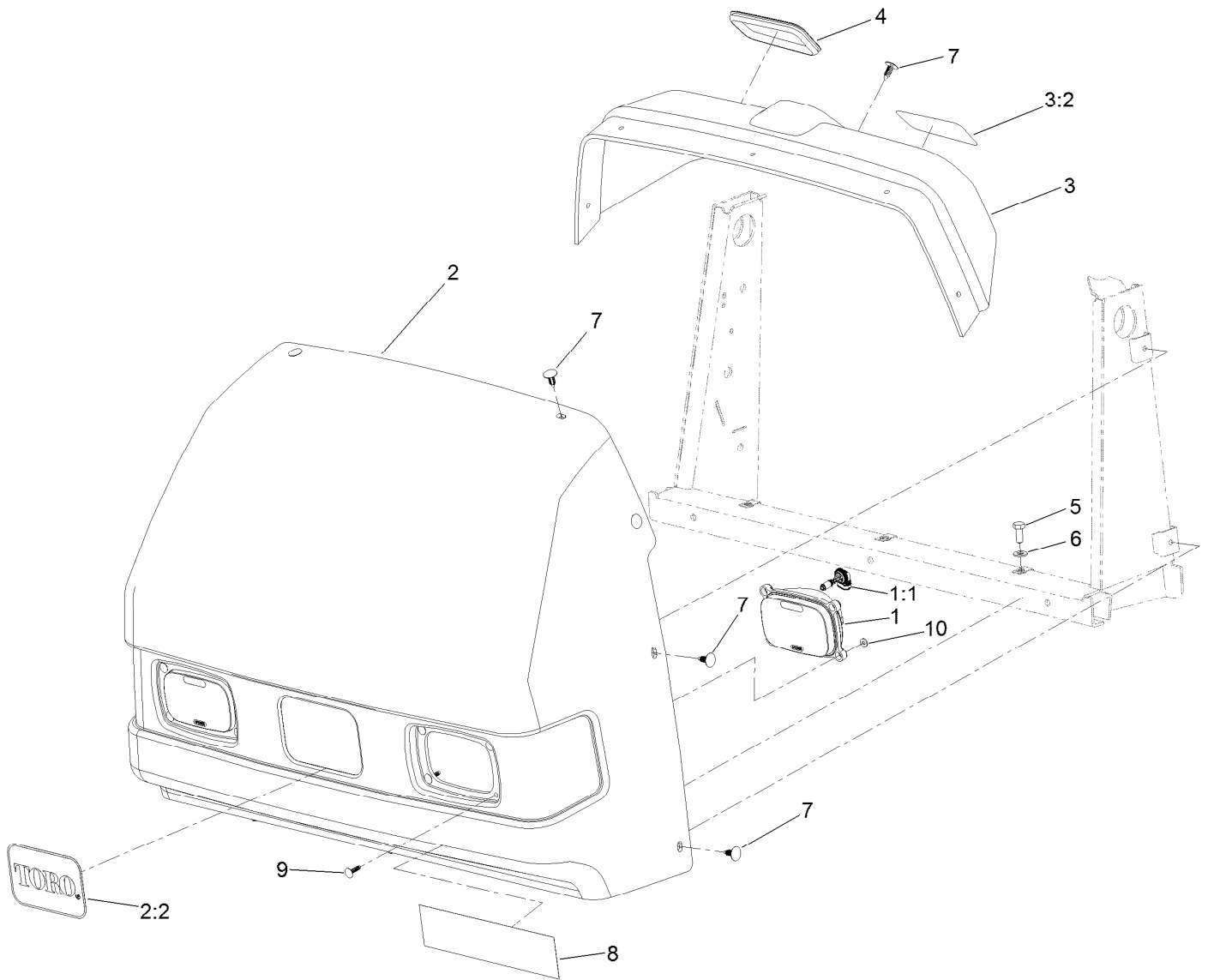
Shift Assembly No. 106-7887

Ref.	Part Number	Qty.	Description
1	131-3469	1	Lever-Shift
2	87-3650	1	Pin-Shift
3	87-3540	2	Link-Shift
4	87-2520	1	Tube-Pivot
5	87-2900	1	Spring-Compression
6	87-8640	1	Washer-Flat
7	322-12	1	Screw-HH
8	87-3530	1	Button-Shifter
9	87-3660	1	Spring-Compression
10	3290-507	1	Pin-Dowel
11	87-3520	1	Clevis
12	32121-48	1	Pin-Spring
13	87-6040	1	Bracket-Shifter
14	3290-456	2	Washer-Belleville
15	104-8300	1	Nut-HF, NI



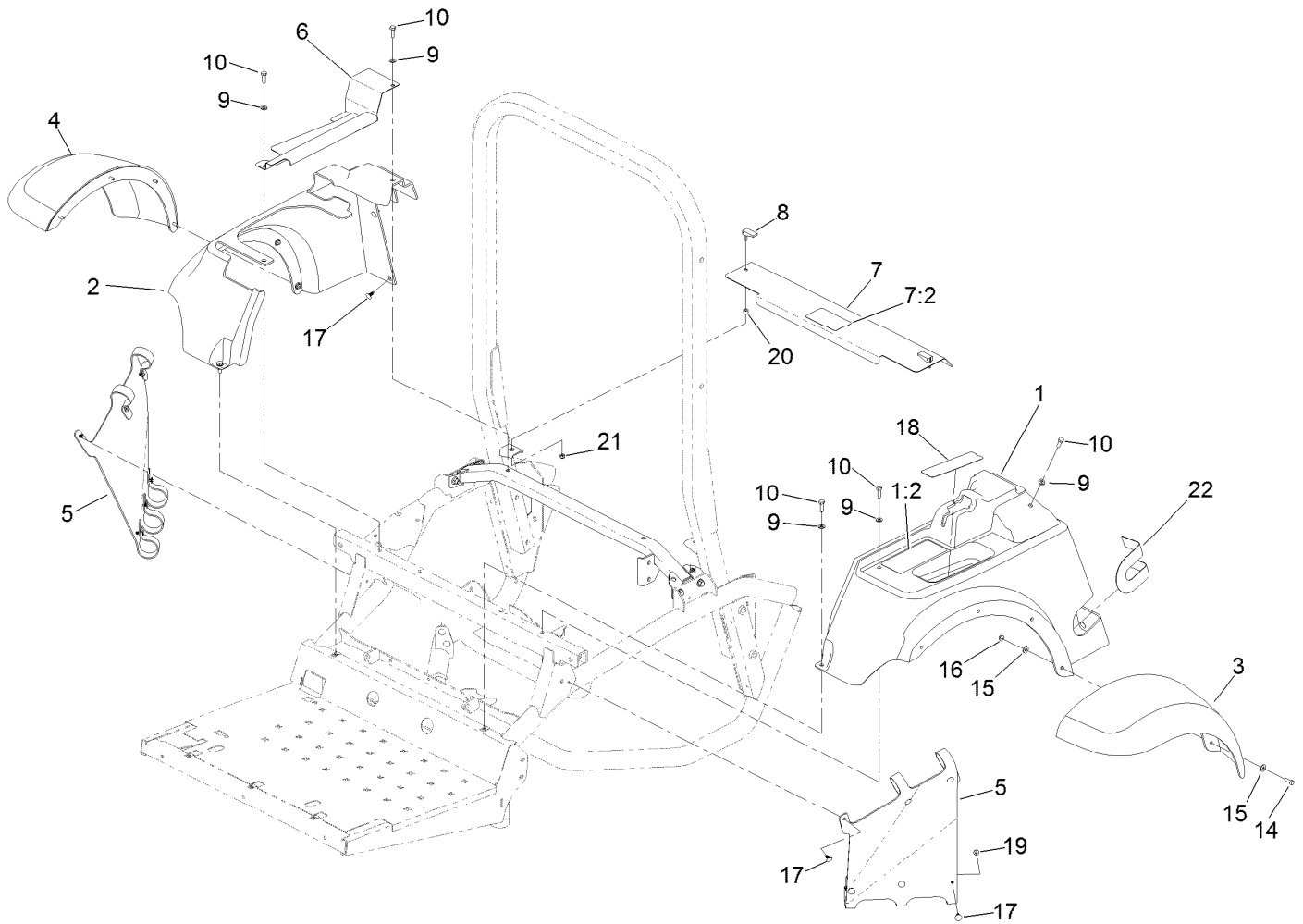
Control Console Assembly

Ref.	Part Number	Qty.	Description	Ref.	Part Number	Qty.	Description
1	94-5627	2	Plug-Dome	12:1	121-5160	1	Nut-Hex
2	95-8999	4	Switch-Rocker, On-None-On	12:2	122-2704	1	Nut-Face, M22 (Plastic)
3	100-1535	1	Switch-Rocker, (On)-Off-(On)	12:3	121-5162	1	Set-Key, Ignition
4	100-8490	2	Switch-Rocker, On-None-On	14	125-0896-03	1	Panel-Cover
5	100-8665	1	Reducer-Gauge, Pressure	15	125-0898-03	1	Panel-Switches
6	100-8667	1	Coupler-Reducer	16	125-0899	2	Switch-Rocker
9	120-0695	1	Switch-Rocker, On-Off-(On)	17	125-8047	1	Choke-Control
10	120-6310	1	LCD Display ASM Kantrak 1700	18	161-4143	1	Decal-Control Panel, Upper
10:1	120-4630	1	Nut-Display	19	130-8293	1	Decal-Control Panel, Rear
10:2	120-6311	1	Decal-Display	20	161-4145	1	Decal-Control Panel, Spray
11	120-8546	1	Gauge-Pressure	21	137-4289	1	Decal-Control Panel
12	121-5159	1	Switch-Ignition	22	161-4144	1	Decal-Switch Panel, Center
				23	99-7420	2	Plug-Hole
				24	93-6083	8	Screw-HWH
				26	161-4137-03	1	Panel-Switches
				27	125-9622	6	Rivet-Blind



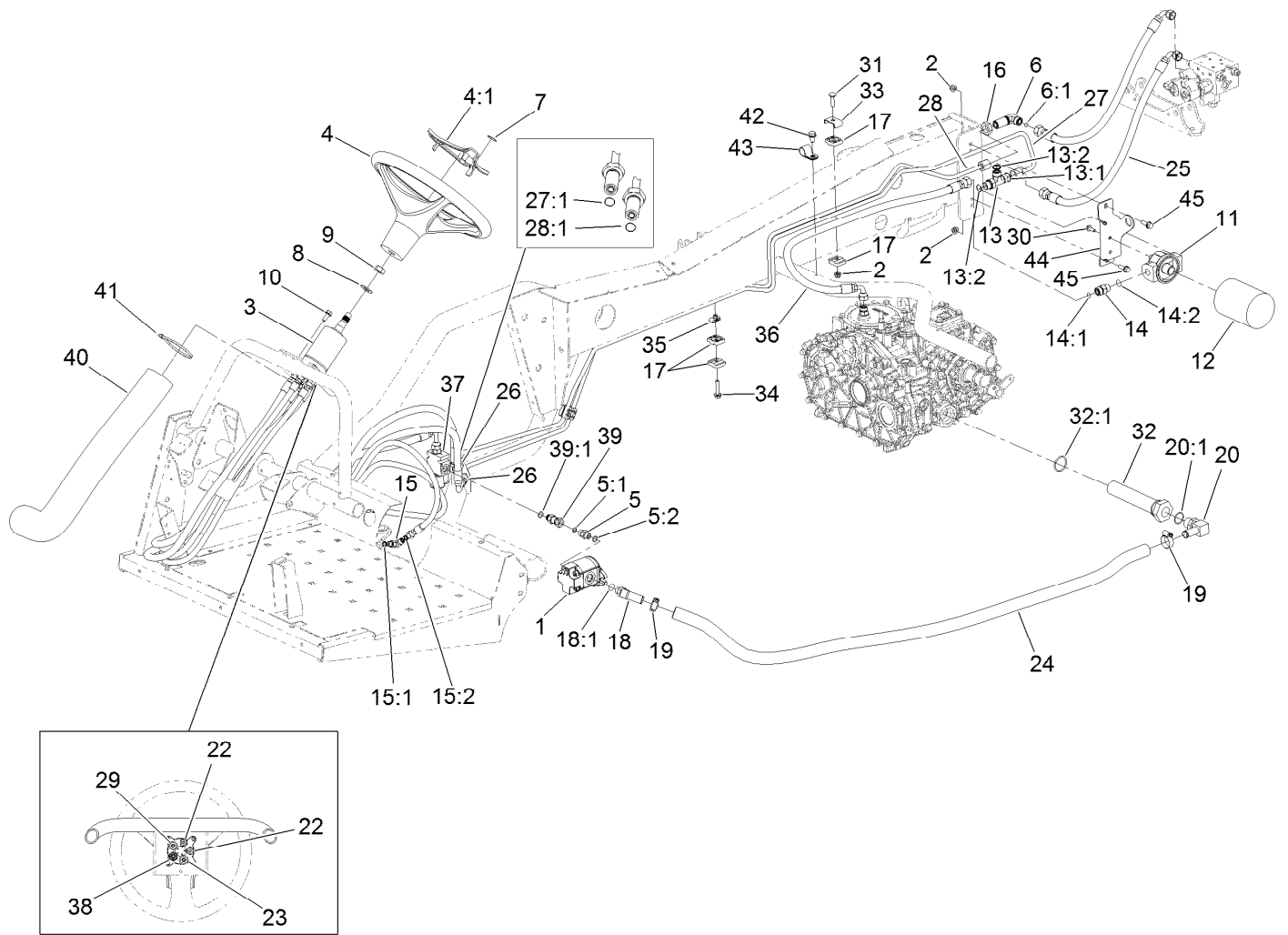
Hood, Dash and Headlight Assembly

<i>Ref.</i>	<i>Part Number</i>	<i>Qty.</i>	<i>Description</i>
1	125-0672	2	Headlight ASM
1:1	125-0673	1	Halogen-Bulb
2	127-3982	1	Hood
2:2	67-1300	1	Decal
3	125-0939	1	Dash
3:2	127-3941	1	Decal-Warning
4	125-8059	1	Cover- Reservoir, Brake
5	322-3	3	Screw-HH
6	3256-23	3	Washer-Plain
7	117-2382	10	Plug-Plastic
8	127-3944	1	Decal
9	125-8067	8	Plug-Plastic
10	3256-21	8	Washer-Flat



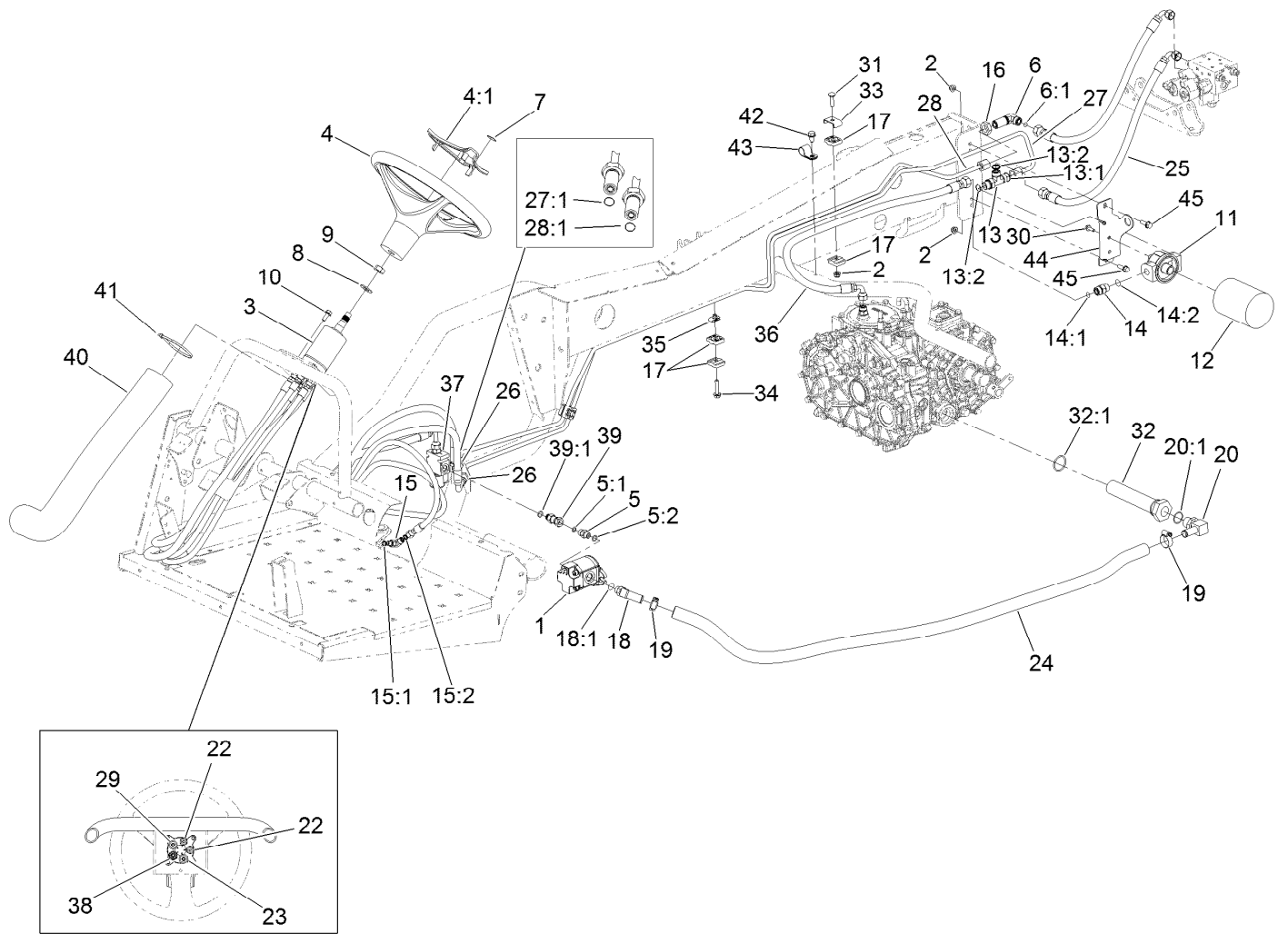
Seat Base and Front Fender Assembly

<i>Ref.</i>	<i>Part Number</i>	<i>Qty.</i>	<i>Description</i>	<i>Ref.</i>	<i>Part Number</i>	<i>Qty.</i>	<i>Description</i>
1	127-3980	1	LH Seatbase ASM	9	3256-23	7	Washer-Plain
1:2	127-3935	1	Decal-Start-Up/Shut-Down	10	322-5	7	Screw-HH
2	125-0803	1	Seatbase-RH	14	321-5	8	Screw-HH
3	125-0902	1	Fender-LH	15	3256-2	16	Washer-Flat
4	125-0903	1	Fender-RH	16	104-7201	8	Nut-HF, NI
5	125-0935	2	Shroud-Fender, Inner	17	117-2382	16	Plug-Plastic
6	125-8088-01	1	Cover-Console, Bottom	18	125-8093	1	Pad-Pocket
7	127-3979	1	Cover-Engine	19	3256-16	10	Washer-Flat
7:2	127-3937	1	Decal-Warning, Engine Cover	20	106-6778	2	Bushing-Latch, Swell
8	106-6777	2	Handle-Latch, Swell	21	1-804254	2	Nut-Lock, HH
				22	131-5822	1	Guard-Rubber



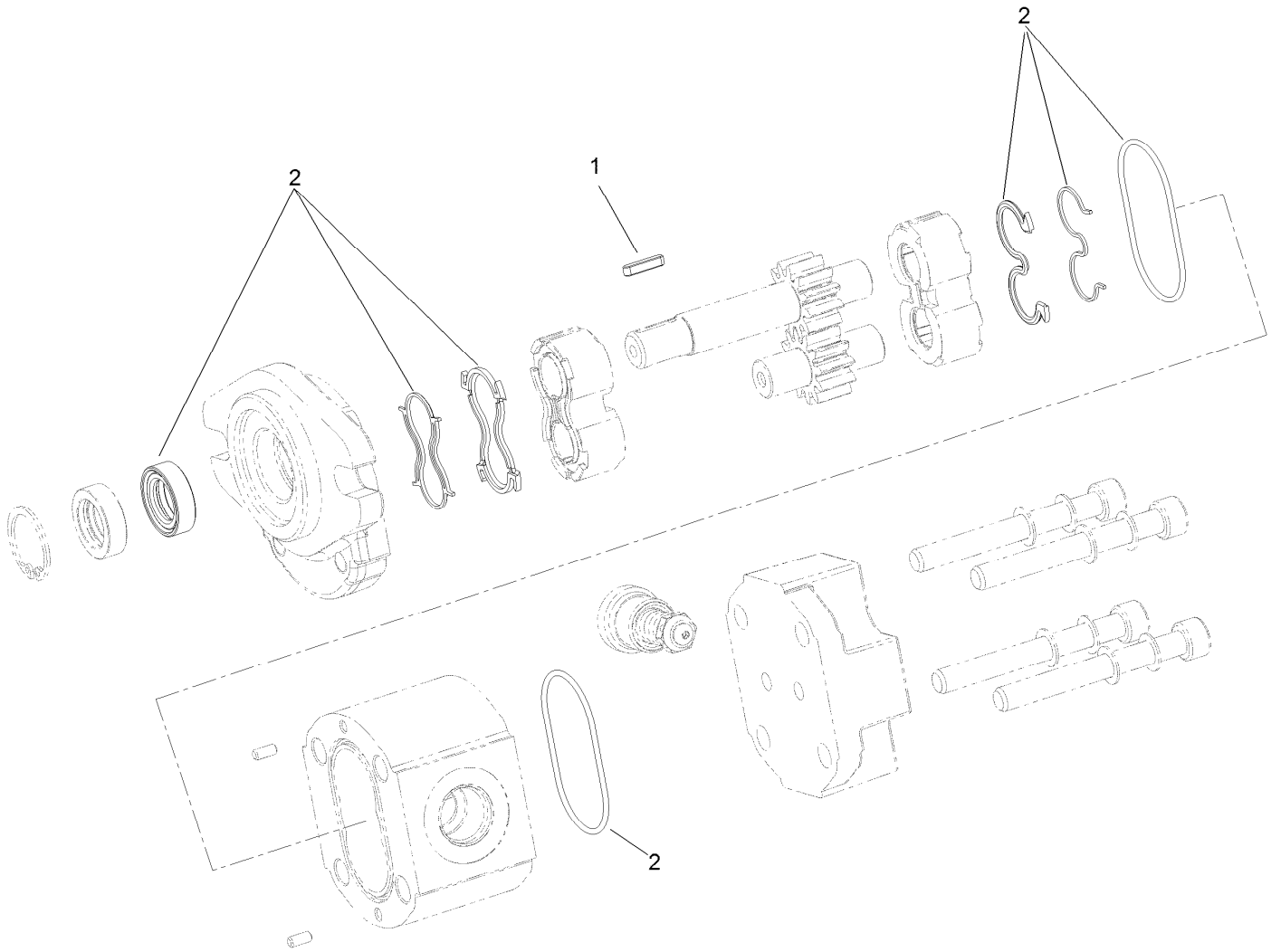
Hydraulic Steering Assembly

Ref.	Part Number	Qty.	Description	Ref.	Part Number	Qty.	Description
1	121-6545	1	HYD Pump ASM	14:2	237-79	1	O-Ring
2	104-8300	4	Nut-HF, NI	15	340-132	2	Fitting-Elbow, 90 DEG
3	138-6100	1	Steering Control Unit	15:1	237-78	1	O-Ring
4	98-1471	1	Wheel-Steering	15:2	237-21	1	O-Ring
4:1	98-1468	1	Cover-Wheel, Steering	16	340-127	1	Nut-Bulkhead
5	340-2	3	Fitting-Straight	17	56-7973	6	Clamp-Tube
5:1	237-22	1	O-Ring	18	93-6848	1	Fitting-Elbow 45
5:2	237-42	1	O-Ring	18:1	237-79	1	O-Ring
6	93-9151	1	Fitting-HYD	19	2412-129	2	Clamp-Hose
6:1	237-30	2	O-Ring	20	353-987	1	Fitting-Elbow, 90
7	98-1459	1	Decal	20:1	237-81	1	O-Ring
8	3256-27	1	Washer-Flat	22	108-5675	2	Hydraulic Hose ASM
9	3296-33	1	Nut-Lock, NI	23	127-3987	1	Hose ASM
10	33104-020	4	Screw-HHF	24	125-0952	1	Hose-Suction
11	87-8780	1	Head-Filter	25	125-0949	2	Hydraulic Hose ASM
12	54-0110	1	Filter-Oil, Transmission	26	340-70	2	Nut-Lock
13	340-109	1	Fitting-Tee	27	125-4058	1	Hydraulic Tube ASM
13:1	237-79	1	O-Ring	27:1	237-22	1	O-Ring
13:2	237-30	2	O-Ring	28	125-4059	1	Hydraulic Tube ASM
14	340-4	1	Fitting-Straight	28:1	237-22	1	O-Ring
14:1	237-30	1	O-Ring	29	114-7702	1	Hose-HYD



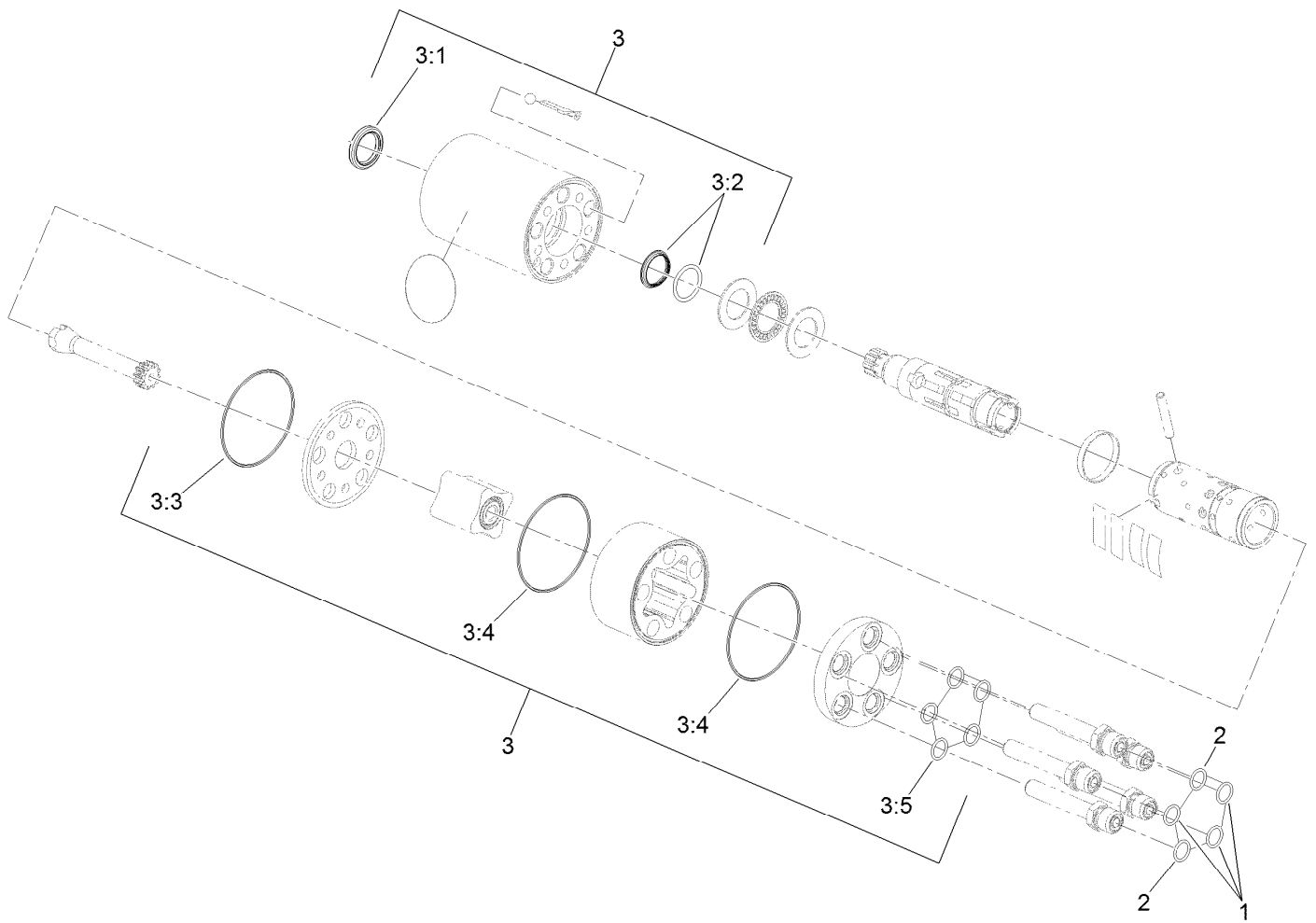
Hydraulic Steering Assembly (continued)

<i>Ref.</i>	<i>Part Number</i>	<i>Qty.</i>	<i>Description</i>	<i>Ref.</i>	<i>Part Number</i>	<i>Qty.</i>	<i>Description</i>
30	3234-4	2	Screw-HHF	38	120-2061	1	Hose-HYD
31	3230-3	2	Screw-CARR	39	104-3779	1	Connector-Swivel, Straight
32	87-3990	1	Strainer-Transaxle	39:1	237-42	1	O-Ring
32:1	237-101	1	O-Ring	40	106-6713	1	Cover-Lines, Steering
33	119-1418	2	Plate-Clamp, Short	41	3290-379	4	Tie-Cable
34	115-1794	1	Screw-HHF	42	110-9380	1	Screw-HWH
35	94-2413	1	Nut-U	43	2412-81	1	Clamp-R
36	94-5961	1	Hose	44	136-2313-03	1	Mount-Filter
37	127-3965	1	Soleniod Valve ASM	45	3234-29	2	Screw-HHF



Hydraulic Pump Assembly No. 121-6545

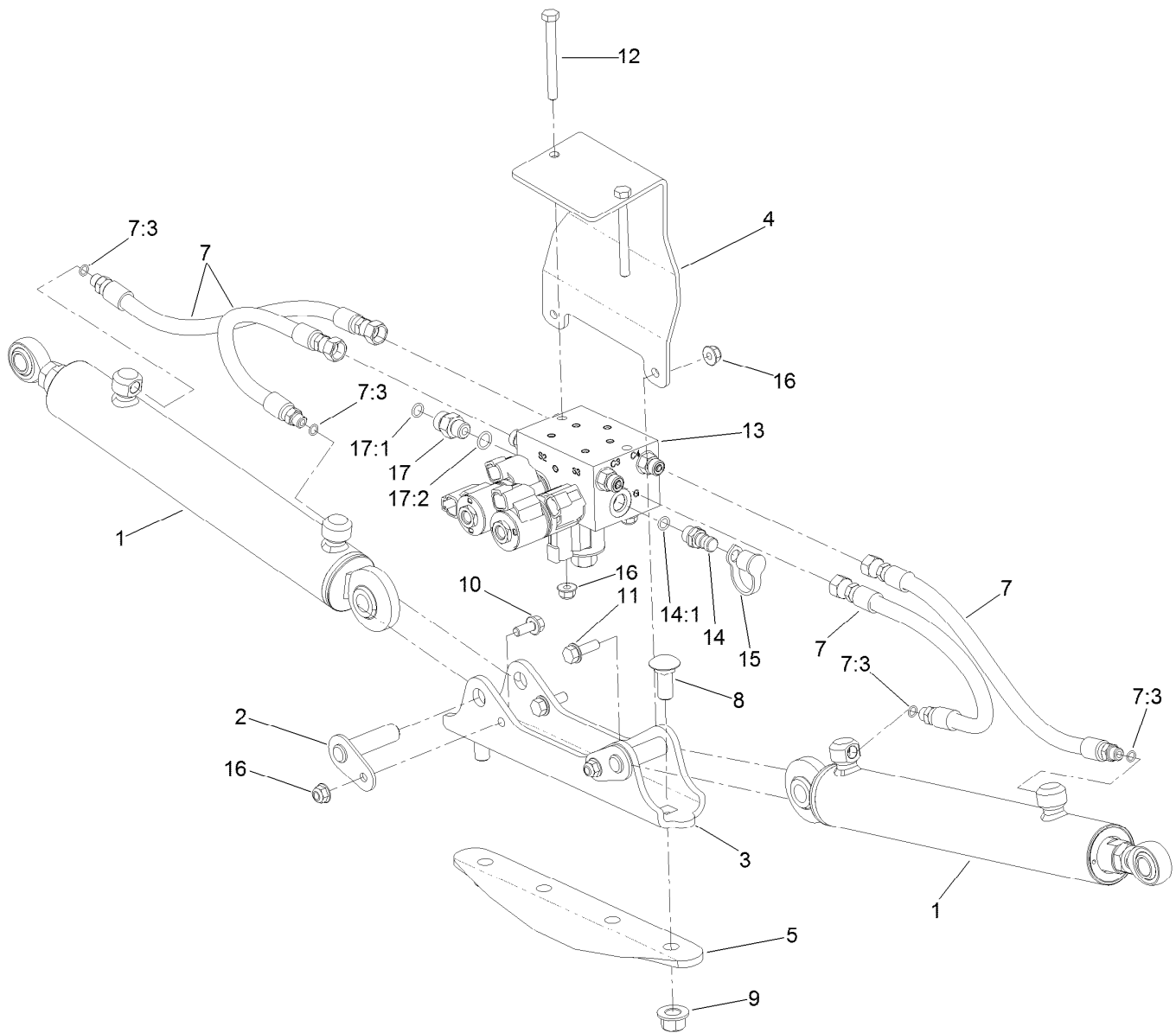
<i>Ref.</i>	<i>Part Number</i>	<i>Qty.</i>	<i>Description</i>
1	125-8147	1	Key, Square
2	125-8148	1	Seal Kit



Steering Valve Assembly No. 138-6100

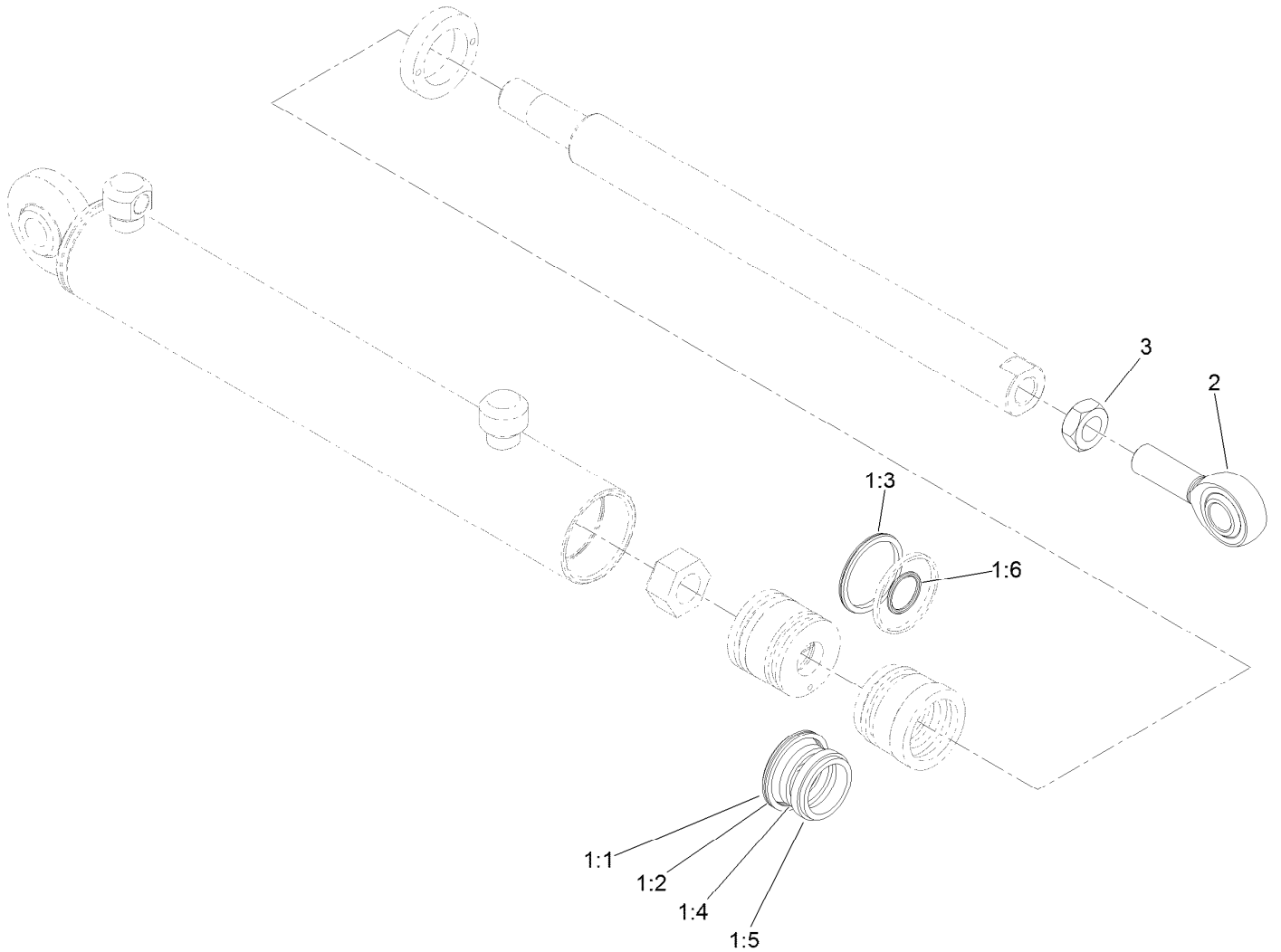
Ref.	Part Number	Qty.	Description
1	237-21	3	O-Ring
2	237-22	2	O-Ring
3	106-6716	1	Seal Kit
3:1		1	Ring-Seal, Dust ●
3:2		1	Seal-Shaft ●
3:3		1	O-Ring ●
3:4		2	O-Ring ●
3:5		5	O-Ring ●

● Not serviced separately



Boom Lift Hydraulic Assembly

Ref.	Part Number	Qty.	Description	Ref.	Part Number	Qty.	Description
1	117-0701	2	Hydraulic Cylinder ASM	11	3234-29	2	Screw-HHF
2	112-7884	2	Pin-Pivot	12	322-14	2	Screw-HH
3	119-4856-03	1	Plate-Mount, Cylinders	13	136-2400	1	On-Off Boom Lift Valve ASM
4	130-8201-03	1	Mount-Valve	14	59-7410	1	Fitting-Diagnostic
5	131-0297-03	1	Plate-Stiffener, Boom	14:1	237-42	1	O-Ring
7	119-4859	4	Hose ASM	15	354-79	1	Cap-Dust
7:3	237-78	1	O-Ring	16	104-8300	6	Nut-HF, NI
8	110-5067	2	Screw-CARR	17	340-2	2	Fitting-Straight
9	99-5107	2	Nut-HF Nylock	17:1	237-22	1	O-Ring
10	110-5053	2	Screw-HHF	17:2	237-42	1	O-Ring

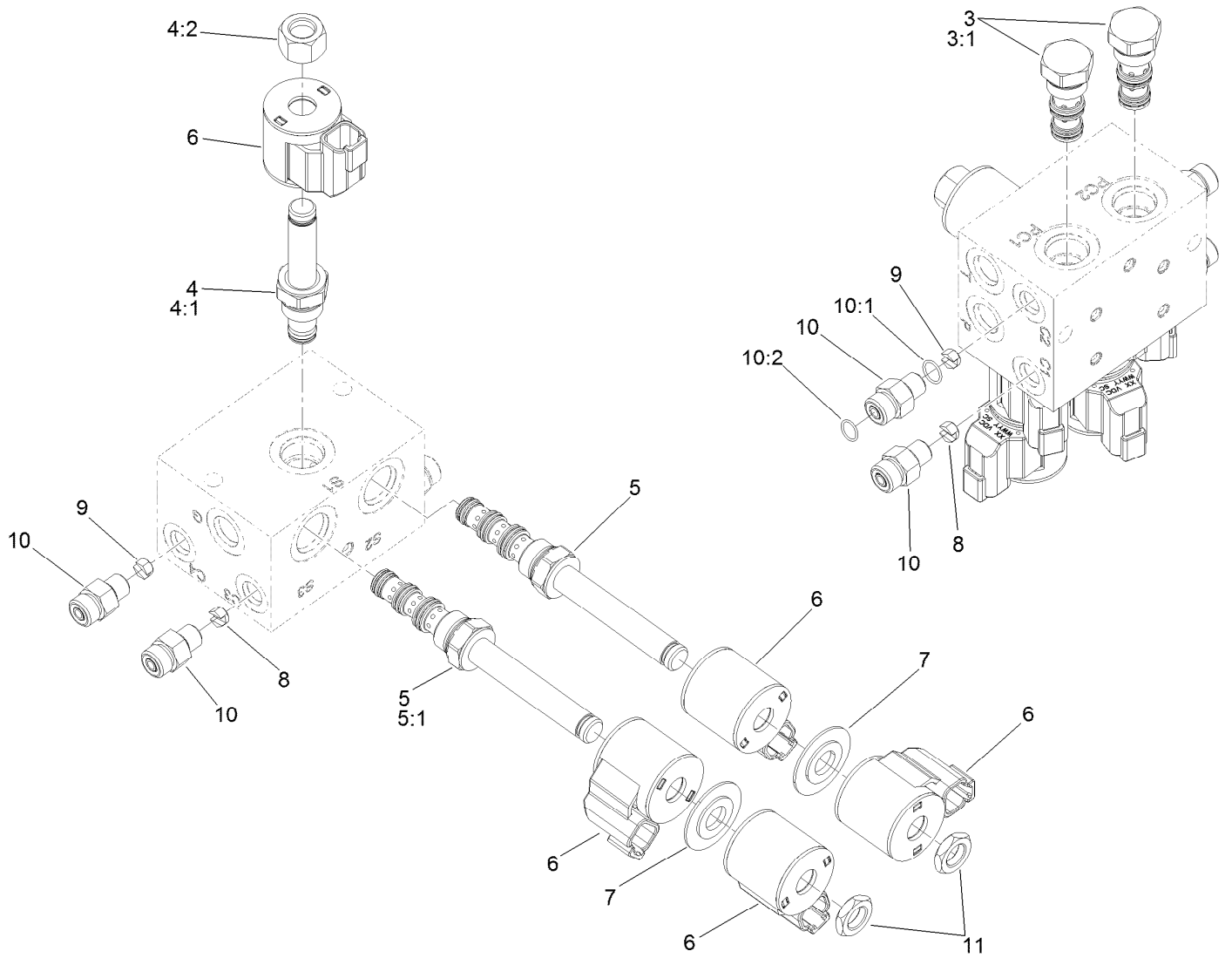


Hydraulic Cylinder Assembly No. 117-0701

Ref.	Part Number	Qty.	Description
1	119-8026	1	Seal Kit ●
1:1		1	O-Ring ■
1:2		1	Ring-Backup ■
1:3		1	Bp Seal ■
1:4		1	Bs Seal ■
1:5		1	Dust Seal ■
1:6		1	O-Ring ■
2	119-8027	1	Rod End
3	3220-6	1	Nut-Jam

● Not illustrated

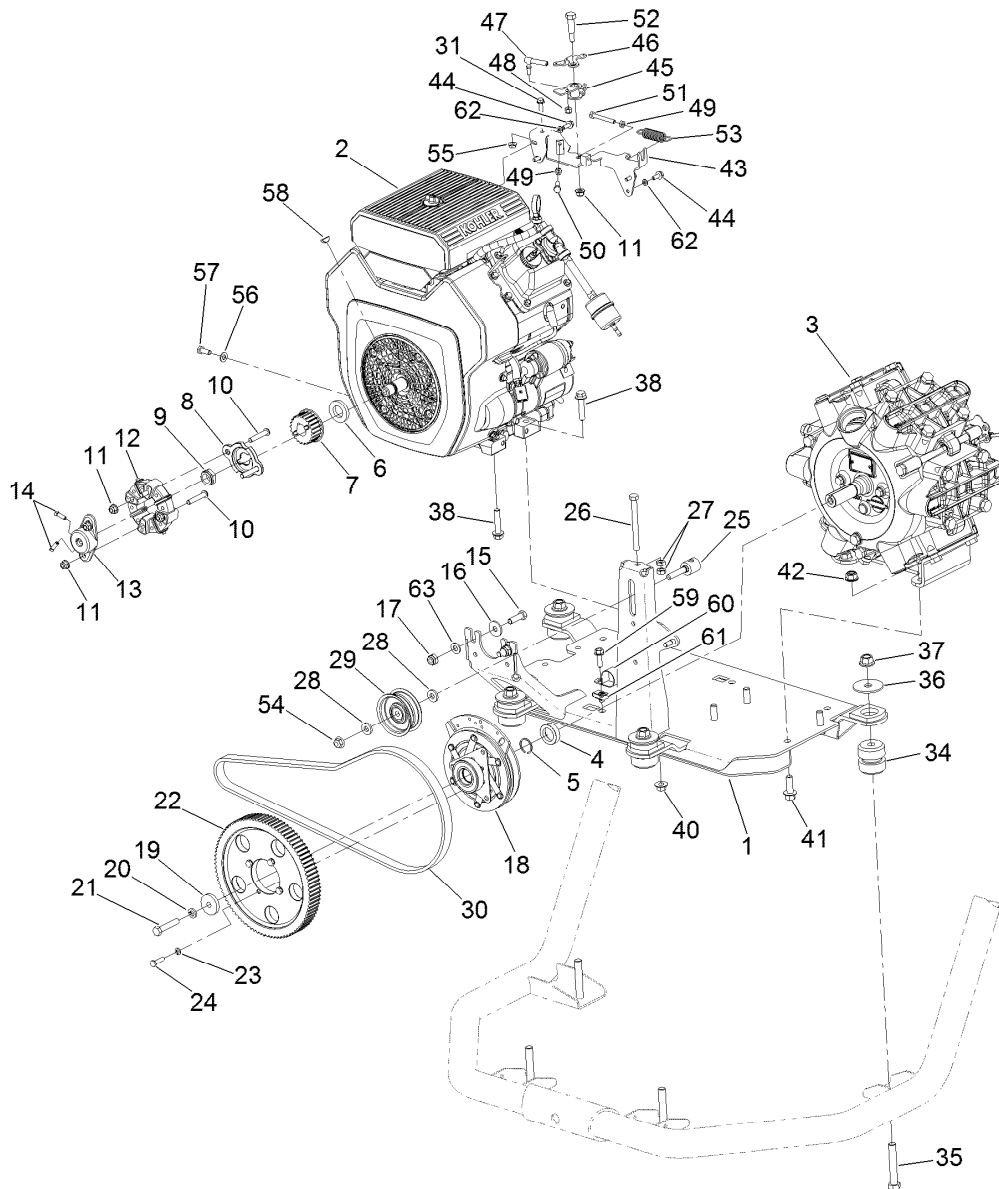
■ Not serviced separately



On-Off Boom Lift Valve Assembly No. 136-2400

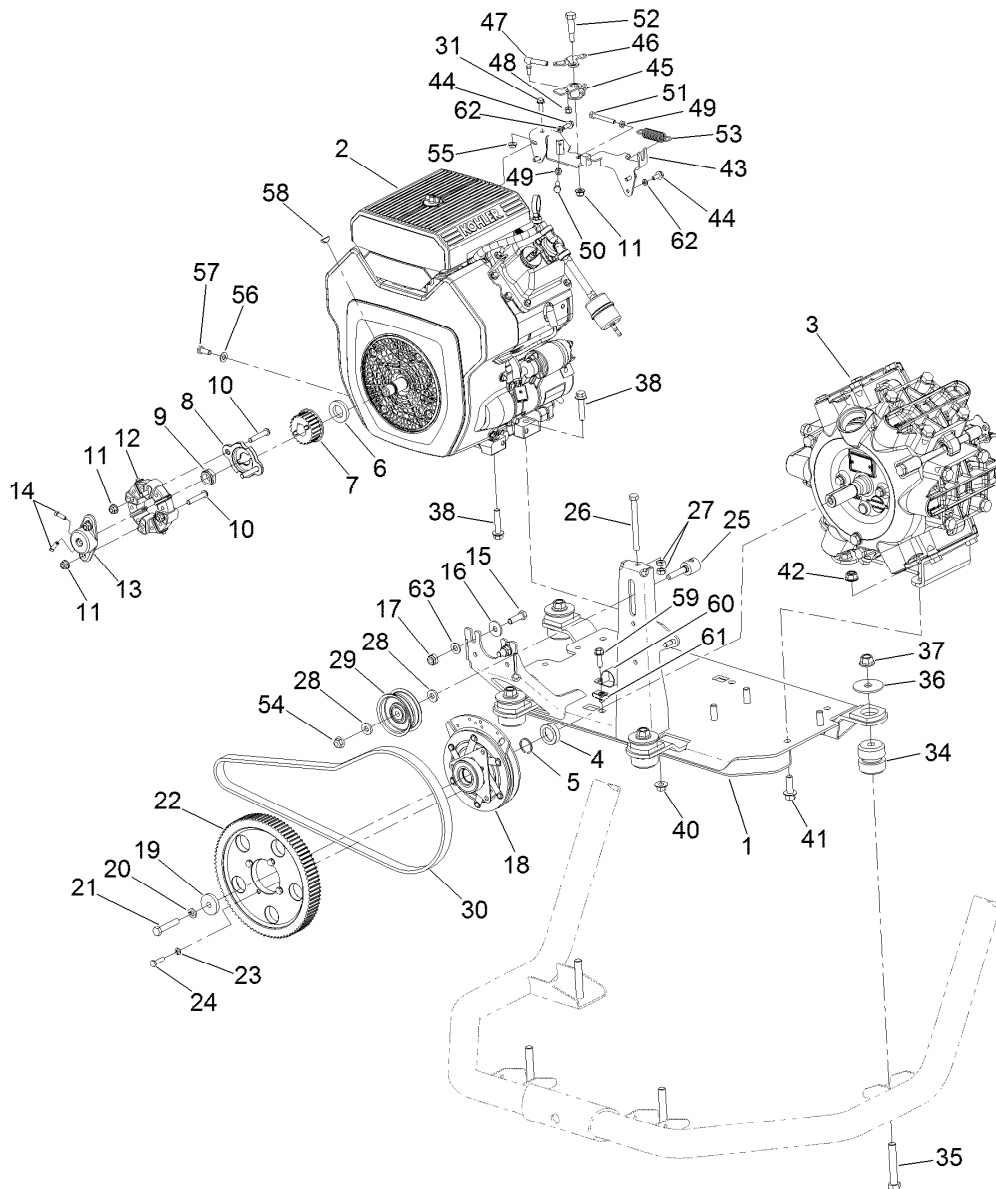
Ref.	Part Number	Qty.	Description
3	136-2430	2	Valve-Check, Po
3:1	120-0886	1	Seal Kit
4	107-7517	1	Valve-Solenoid
4:1	105-9156	1	Seal Kit
4:2	107-7812	1	Nut-Solenoid
5	120-2587	2	Valve-Solenoid
5:1	112-6520	1	Seal Kit ●
6	119-8036	5	Coil
7	120-2586	2	Spacer-Coil
8	110-8903	2	Orifice-Control, Flow (0.055)
9	125-8849	2	Orifice-Flow Control
10	340-92	4	Fitting-Straight
10:1	237-78	1	O-Ring
10:2	237-21	1	O-Ring
11	110-2634	2	Nut-Coil

● Not illustrated



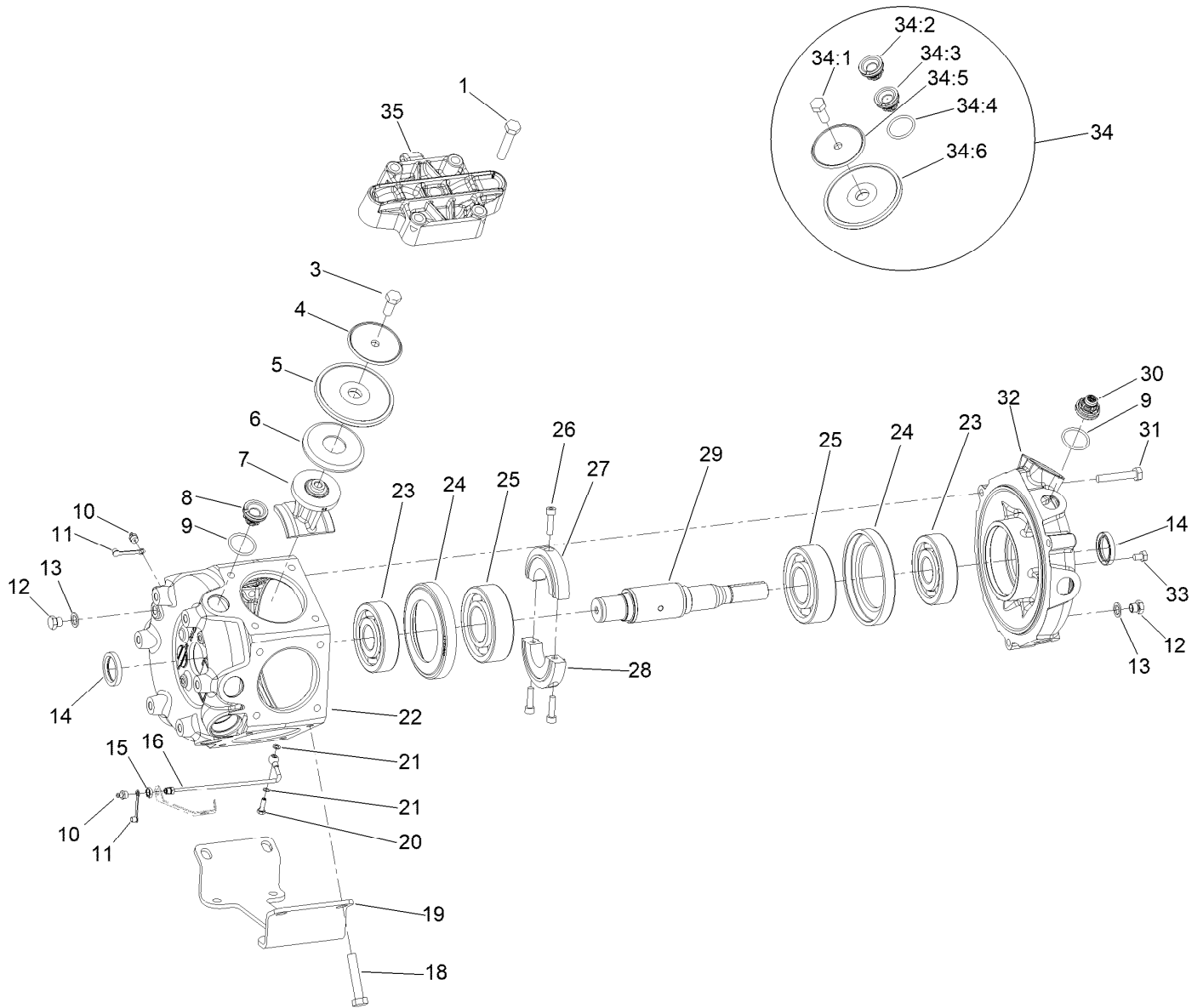
Engine and Pump Mounting Assembly

Ref.	Part Number	Qty.	Description	Ref.	Part Number	Qty.	Description
1	121-6511-03	1	Mount-Engine	19	125-0604	1	Spacer-Clutch
2	164-1035	1	Engine-Rehlko ●	20	3253-5	1	Washer-Lock
3	145-3381	1	Pump ASM	21	3211-46	1	Screw-HH
4	108-3301	1	Retainer-Spacer	22	125-7982	1	Sprocket-90 Tooth
5	108-3302	1	Ring-Snap	23	3253-3	4	Washer-Lock
6	104-1105	1	Spacer-Support, Deck	24	321-6	4	Screw-HH
7	125-8017	1	Sprocket-22 Tooth	25	125-0605	1	Shaft-Idler
8	125-4092	1	Adaptor-Sprocket, Flanged	26	107-4026	1	Screw-HH
9	3296-15	1	Nut-Lock, NI	27	3217-7	2	Nut-Hex
10	125-7977	4	Screw-HSBH	28	43-0940	2	Spacer
11	104-8300	5	Nut-HF, NI	29	1-633167	1	Sheave-Idler
12	119-0652	1	Coupler-Rubber	30	125-0765	1	Belt-Synchronous
13	115-2169	1	Hub-Pump	31	115-5103	1	Screw-HHF
14	3241-6	2	Screw-SQH	34	106-7865	4	Mount-Engine
15	323-7	2	Screw-HH	35	325-12	4	Screw-HH
16	52-2861	2	Washer	36	41985	4	Washer-Special
17	3296-44	2	Nut-Lock, NI	37	99-5107	4	Nut-HF Nylock
18	120-7625	1	Clutch-Electric	38	3234-19	4	Screw-HHF



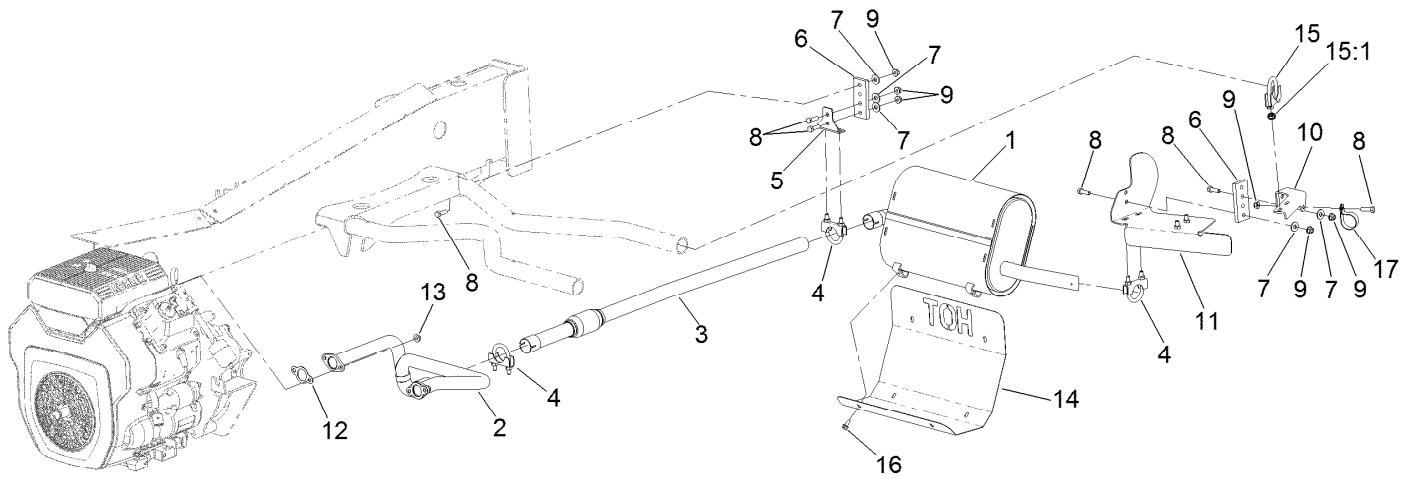
Engine and Pump Mounting Assembly (continued)

Ref.	Part Number	Qty.	Description	Ref.	Part Number	Qty.	Description
40	32128-43	4	Nut-Flange	52	7-0030	1	Screw-Shoulder, HH
41	3234-15	4	Screw-HHF	53	67-1450	1	Spring-Idler
42	114-8417	4	Nut-HF, NI	54	104-8301	1	Nut-HF, NI
43	87-7780	1	Bracket-Throttle	55	32128-33	1	Nut-HF
44	33103-016	4	Screw-HHF	56	3256-23	1	Washer-Plain
45	87-7800	1	Lever-Throttle	57	33114-020	1	Screw-HH
46	87-7790	1	Lever-Choke	58	3257-5	1	Key-Woodruff
47	18-1720	1	Ball Joint	59	3234-17	1	Screw-HHF
48	3296-3	1	Nut-Lock	60	2412-126	1	R-Clamp
49	3220-1	2	Nut-Jam	61	115-7721	1	Nut-Clip, U
50	329-6	1	Screw-HH	62	48-8020	4	Washer-Spring
51	108-3660	1	Screw-TAP	63	3256-24	2	Washer-Plain



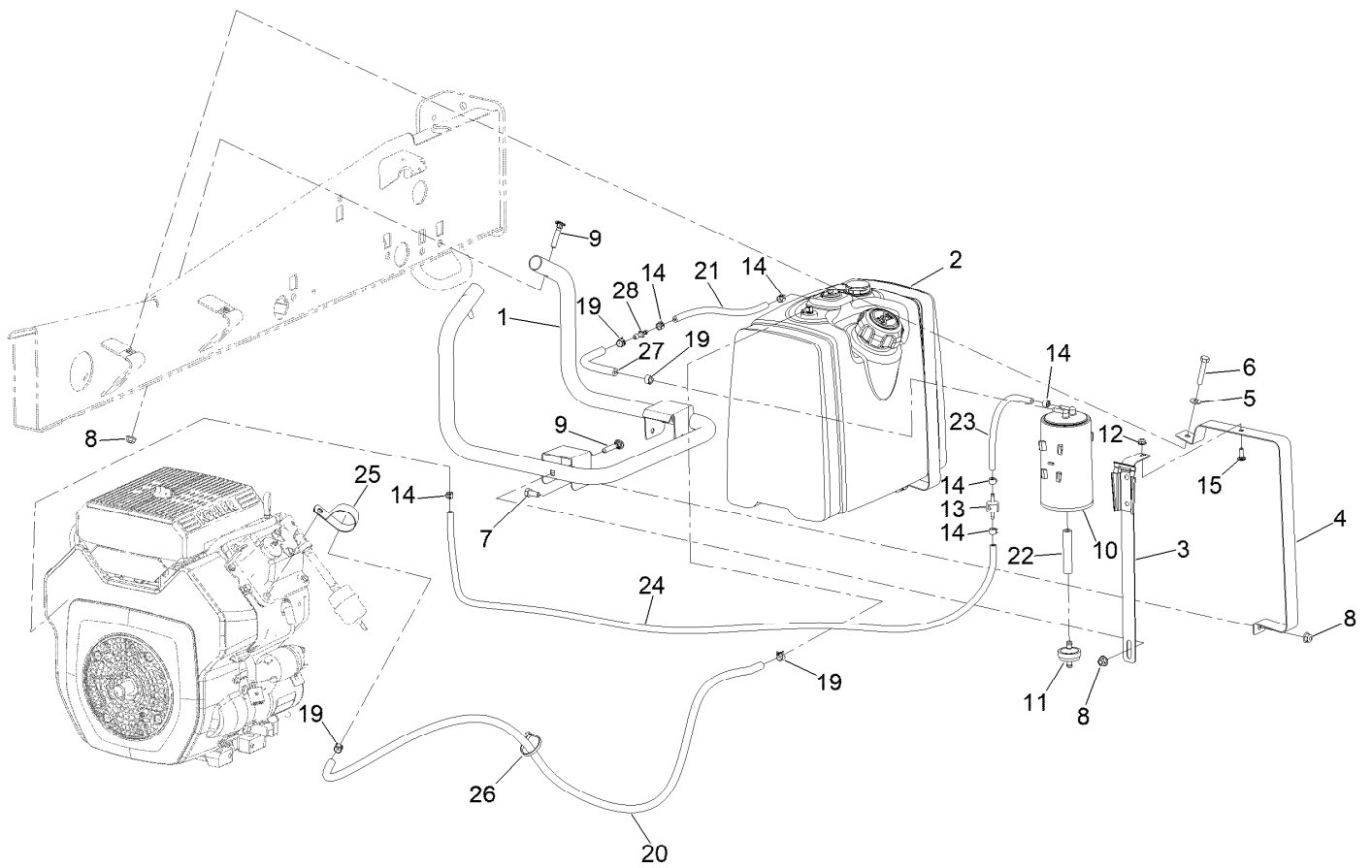
Pump Assembly No. 145-3381

Ref.	Part Number	Qty.	Description	Ref.	Part Number	Qty.	Description
1	120-0773	20	Bolt-Hex	23	120-0788	2	Bearing-Ball
3	120-0777	6	Bolt-Hex	24	133-2820	2	Spacer-Metal
4	120-0778	6	Disc-Diaphragm	25	120-0791	2	Bearing-Ball
5	120-0779	6	Diaphragm	26	125-8146	3	Bolt-Allen
6	120-0780	6	Disc-Backing, Diaphragm	27	133-2828	1	Counter Weight
7	125-8141	6	Rod-Connectiing	28	133-2829	1	Counter Weight
8	99-0861	10	Valve-Pump	29	133-2826	1	Shaft - Crank
9	100-6651	12	O-Ring	30	120-0793	2	Valve W/Hole
10	133-2879	2	Nipple-Grease	31	120-0794	3	Bolt-Hex
11	133-2880	2	Cap-Grease Nipple, Yellow	32	133-2822	1	Housing-Pump, Front
12	120-0785	2	Plug	33	120-0784	4	Bolt-Hex
13	120-0786	2	Seal	34	120-0796	1	Pump Kit
14	120-0783	2	Seal-Oil	34:1	120-0777	6	Bolt-Hex
15	133-2878	1	Nut	34:2	99-0861	10	Valve-Pump
16	133-2877	1	Tube-Banjo, Long	34:3	120-0793	2	Valve W/Hole
18	120-0774	4	Bolt-Hex	34:4	100-6651	12	O-Ring
19	120-0787	1	Foot-Pump	34:5	120-0778	6	Disc-Diaphragm
20	133-2830	1	Bolt-Banjo	34:6	120-0779	6	Diaphragm
21	136-2251	2	Gasket	35	145-3399	1	Pump Head Kit
22	133-2821	1	Housing-Pump, Main				



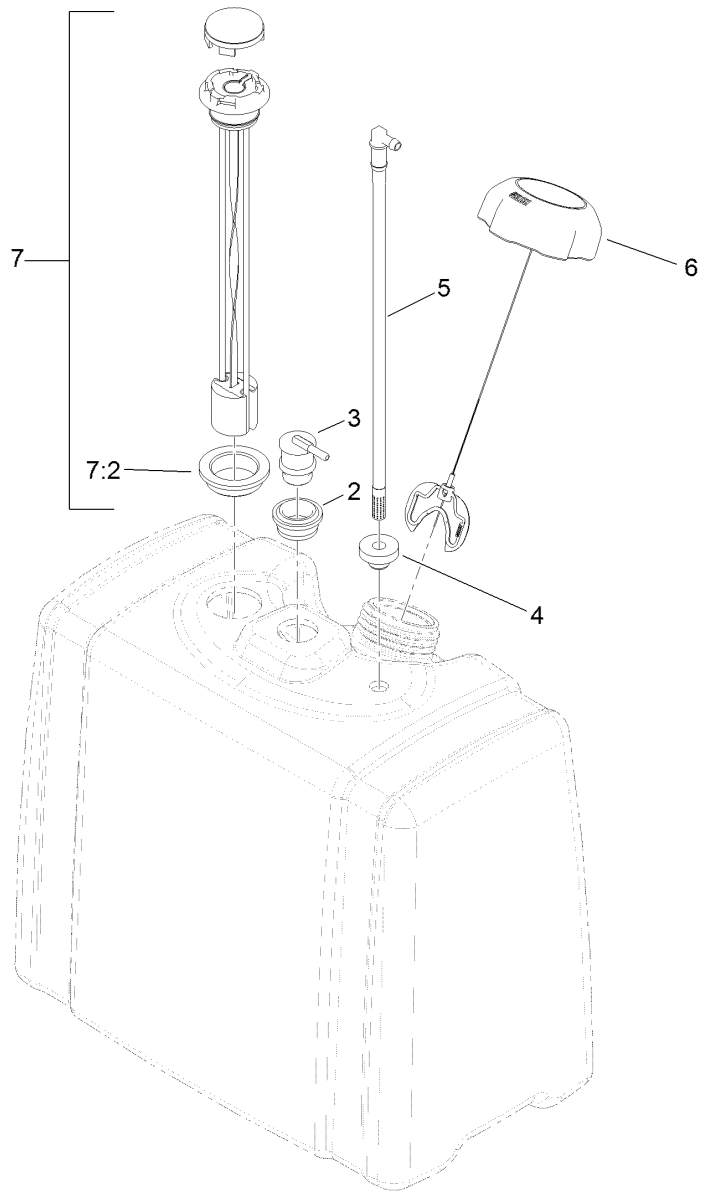
Exhaust Assembly

<i>Ref.</i>	<i>Part Number</i>	<i>Qty.</i>	<i>Description</i>	<i>Ref.</i>	<i>Part Number</i>	<i>Qty.</i>	<i>Description</i>
1	127-9736	1	Muffler-Venturi	10	131-3286	1	Mount-Muffler
2	127-9734	1	Manifold-Exhaust	11	130-7143	1	Shield-Muffler
3	127-9735	1	Pipe-Exhaust	12	110-6697	2	Gasket-Exhaust
4	2112-11	4	Clamp-Muffler	13	92-6780	4	Nut-HF
5	130-7101	1	Bracket-Hanger, Tailpipe	14	127-9787	1	Shield-Heat, Muffler
6	117-0744	2	Hanger-Muffler	15	2112-9	1	Clamp
7	3256-3	7	Washer-Flat	15:1	32128-20	2	Nut-HF
8	322-5	8	Screw-HH	16	3234-13	6	Screw-HHF
9	104-8300	8	Nut-HF, NI	17	2412-74	1	R-Clamp



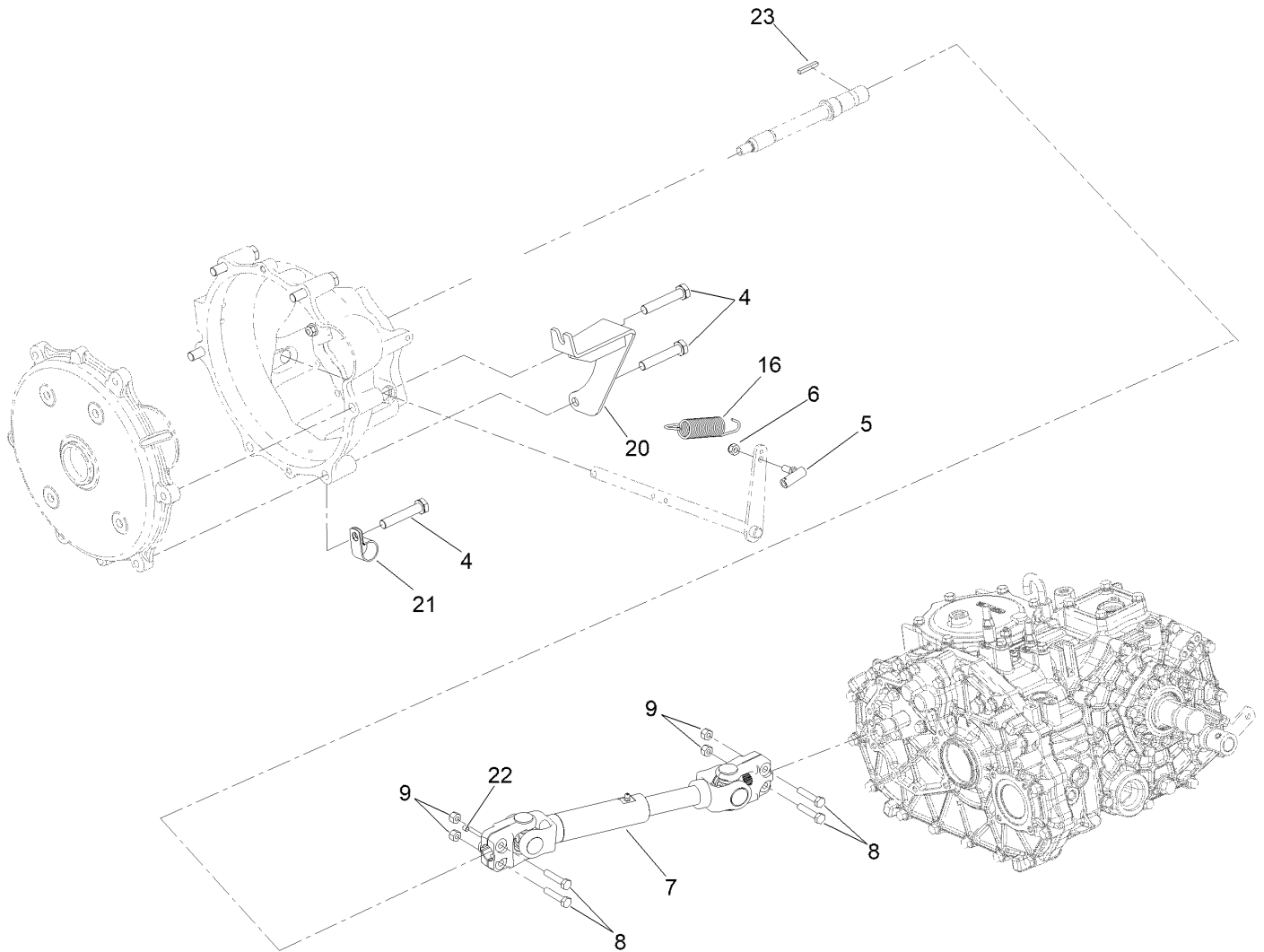
Fuel Tank, filter and line Assembly

<i>Ref.</i>	<i>Part Number</i>	<i>Qty.</i>	<i>Description</i>	<i>Ref.</i>	<i>Part Number</i>	<i>Qty.</i>	<i>Description</i>
1	125-0850-03	1	Tube-Mount, Fuel Tank	14	2412-80	6	Clamp-Hose
2	115-9048	1	Fuel Tank ASM	15	1-807512	1	Bolt-CARR
3	125-8129-03	1	Strap-Cannister, Carbon	19	2412-98	4	Clamp-Hose
4	125-0853	2	Strap-Fuel Tank	20	110-3372	1	Hose-Fuel
5	33094-00	2	Washer-Plain	21	115-7871	1	Hose-Fuel
6	322-41	2	Bolt-Hex,TAP	22	110-0047	1	Hose-Fuel
7	322-3	2	Screw-HH	23	115-7871	1	Hose-Fuel
8	104-8300	5	Nut-HF, NI	24	119-6073	1	Hose-Fuel
9	17-9420	3	Screw-Handle	25	2412-147	1	Clamp-R
10	127-8685	1	Canister-Carbon	26	3290-378	1	Tie-Cable
11	115-7854	1	Filter-Fuel, Inline	27	109-0306	1	Hose-Fuel
12	104-7201	1	Nut-HF, NI	28	121-2573	1	Fitting-Straight
13	133-8499	1	Valve-Check, Vacuum				



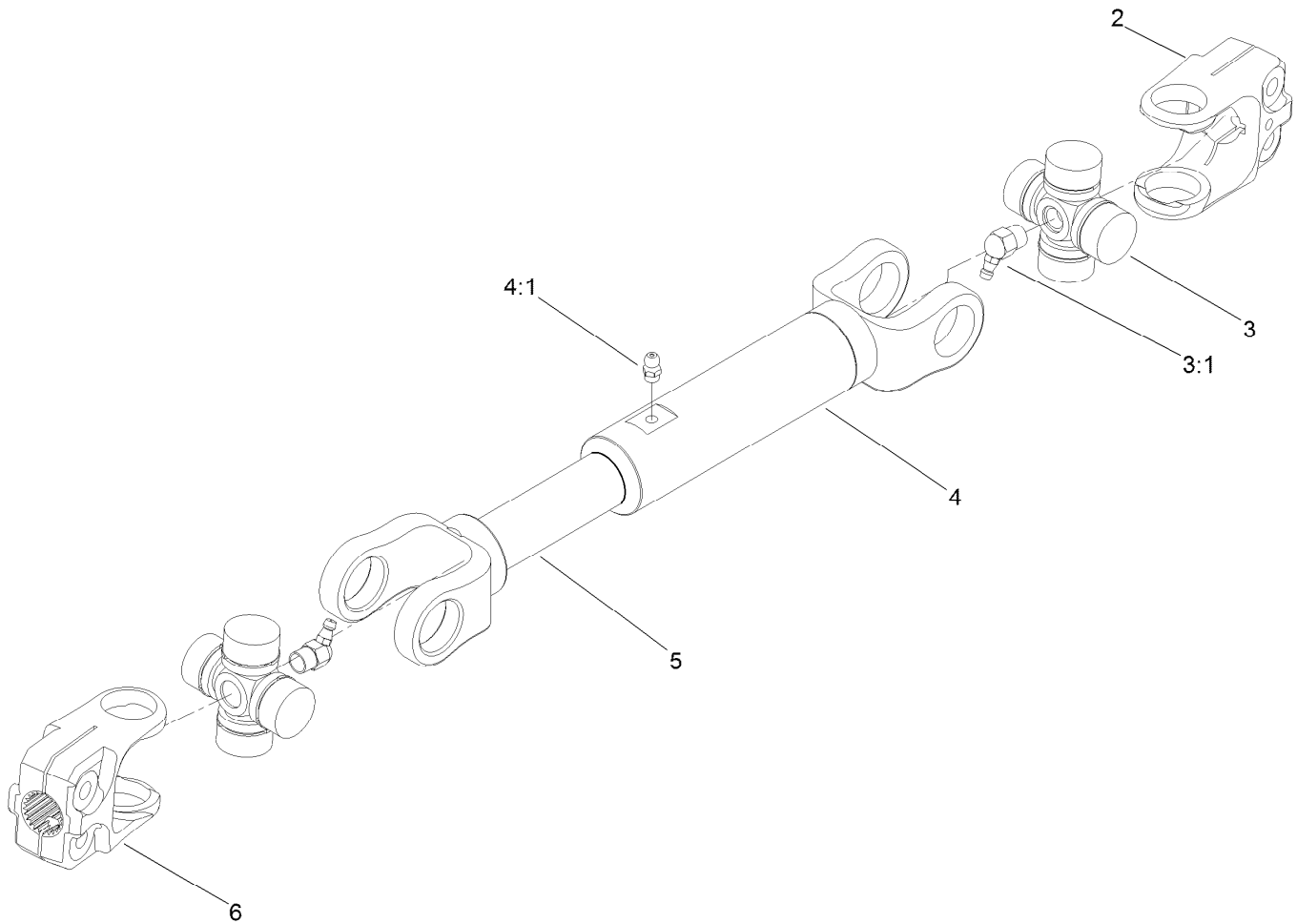
Fuel Tank Assembly No. 115-9048

<i>Ref.</i>	<i>Part Number</i>	<i>Qty.</i>	<i>Description</i>
2	114-0284	1	Grommet
3	114-0285	1	Valve-Rollover
4	46-6560	1	Bushing
5	115-9044	1	Pipe-Stand
6	137-4127	1	Cap-Fuel
7	119-0509	1	Gauge ASM
7:2	119-0508	1	Seal



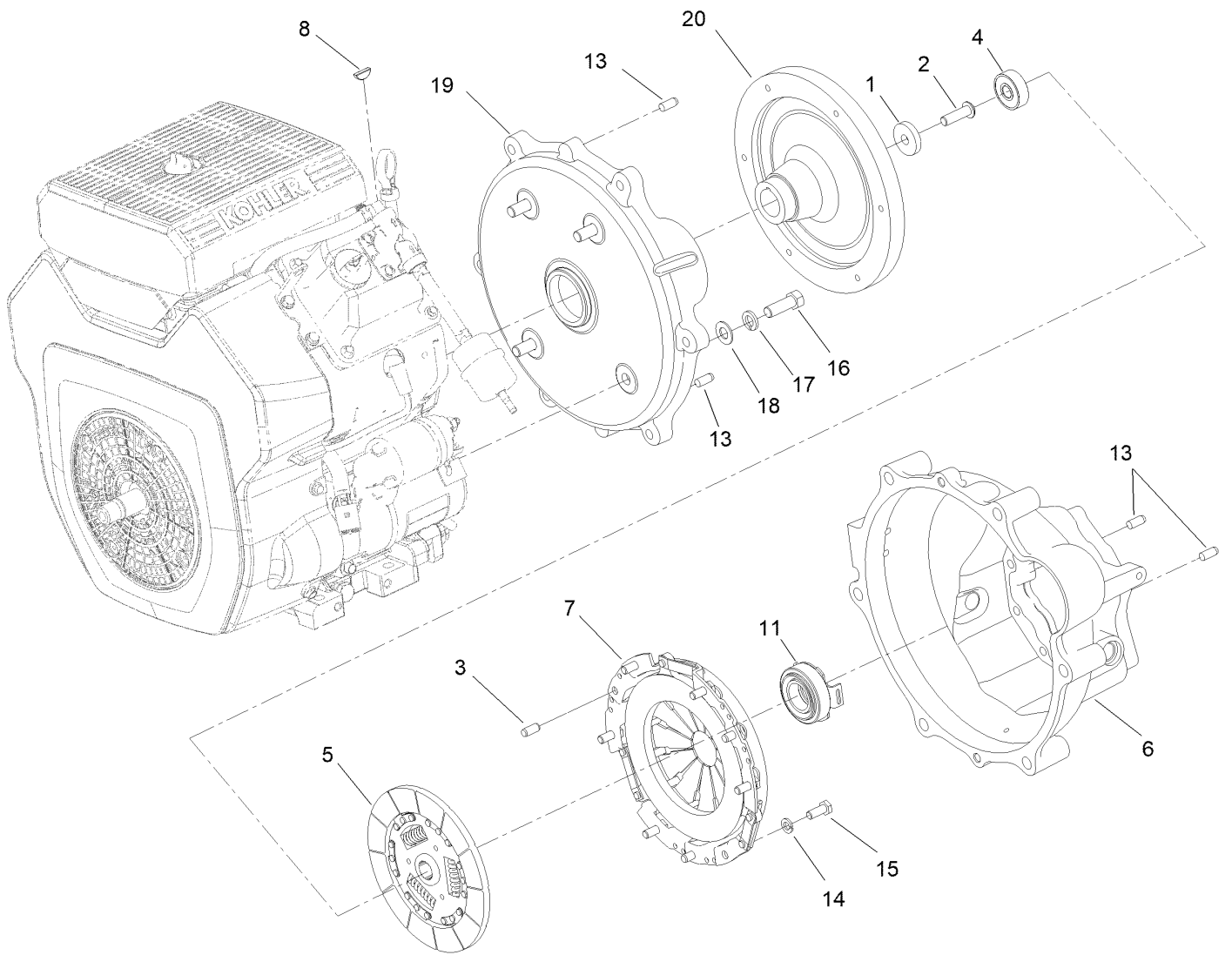
Driveshaft Connection Assembly

<i>Ref.</i>	<i>Part Number</i>	<i>Qty.</i>	<i>Description</i>
4	107-7983	6	Screw-HH
5	2411-33	1	Balljoint-RH (W/Grommet)
6	3296-4	1	Nut-Lock
7	119-6040	1	Driveshaft ASM
8	322-8	4	Screw-HH
9	3296-29	4	Nut-Lock, NI
16	68-9950	1	Spring-Traction
20	125-8063-0P	1	Bracket ASM - Clutch Cable
21	2412-82	1	Clamp-R
22	3245-32	1	Screw-HSH
23	92-0049	1	Key-Square



Driveshaft Assembly No. 119-6040

<i>Ref.</i>	<i>Part Number</i>	<i>Qty.</i>	<i>Description</i>
2	100-8633	1	Yoke-Keyed
3	54-9180	2	U-Joint Kit
3:1	62-3820	1	Fitting-Grease
4	110-4706	1	Tube-Yoke, Slip
4:1	302-58	1	Fitting-Straight
5	110-4705	1	Shaft-Yoke, Slip
6	100-8632	1	Yoke-Splined

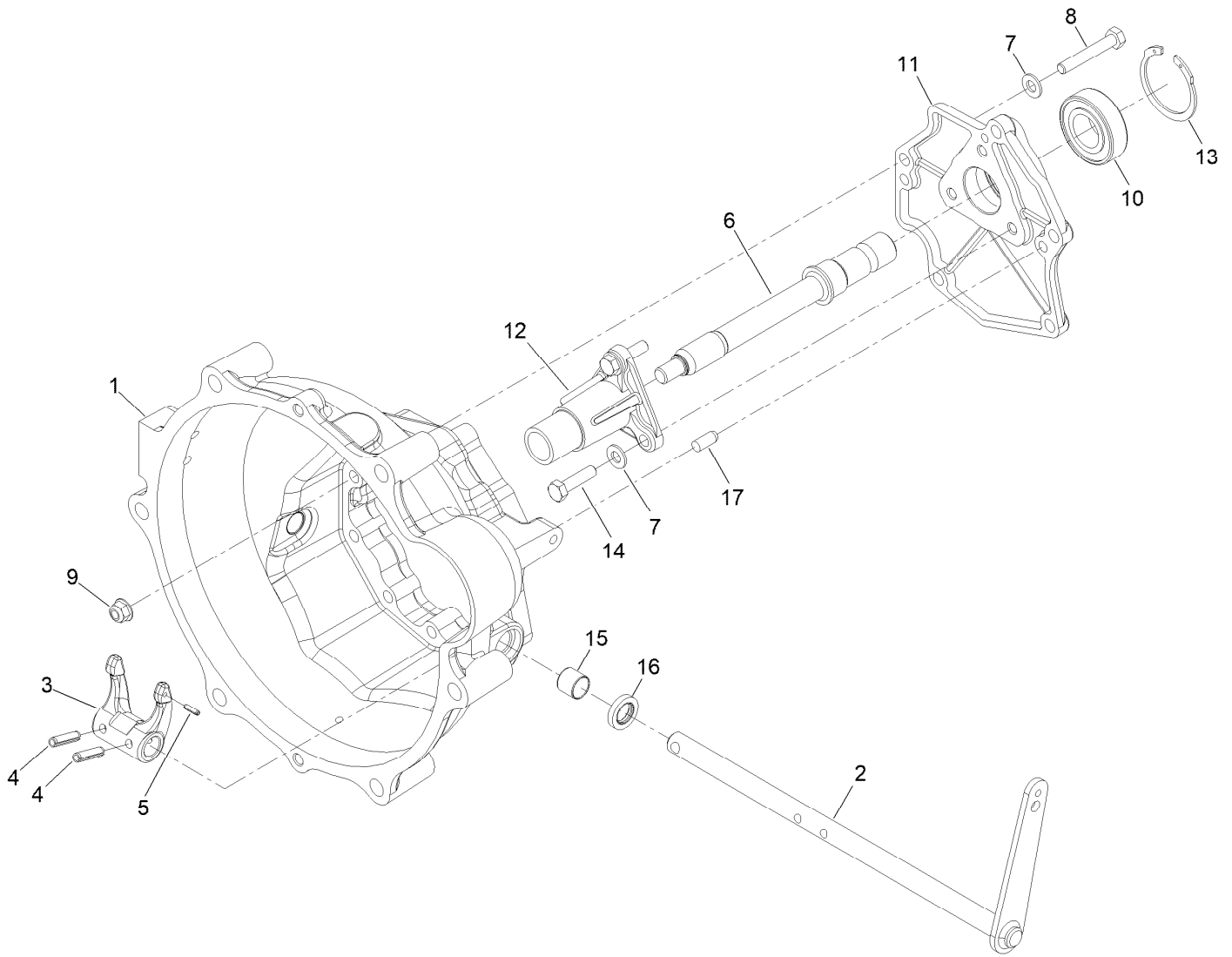


Clutch and Bell Housing Assembly

Ref.	Part Number	Qty.	Description
1	87-6080	1	Washer
2	3274-63	1	Screw-HSBH
3	42-7160	3	Pin
4	87-6460	1	Bearing-Ball (W/Seal)
5	98-2959	1	Disc-Clutch
6		1	Bell Housing ASM ●
7	98-2958	1	Cover-Clutch
8	3257-5	1	Key-Woodruff
11	110-2538	1	Bearing-Release, Clutch

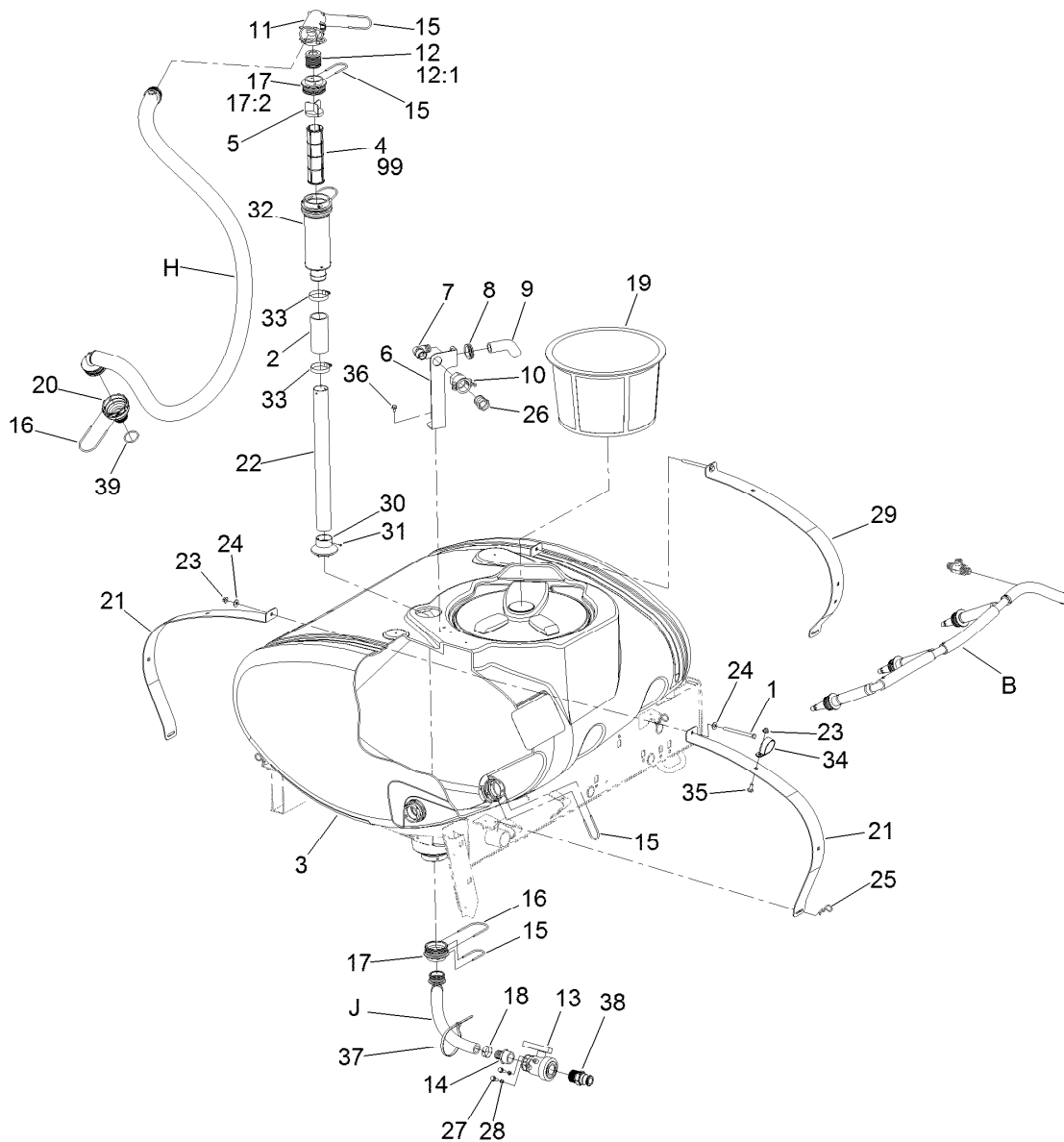
Ref.	Part Number	Qty.	Description
13	87-1910	2	Pin-Dowel
14	3253-4	6	Washer-Lock
15	33114-020	6	Screw-HH
16	324-5	4	Screw-HH
17	3253-6	4	Washer-Lock
18	3256-25	4	Washer-Flat
19	107-7991	1	Adapter-Clutch
20	87-6480	1	Flywheel

● Not serviced separately



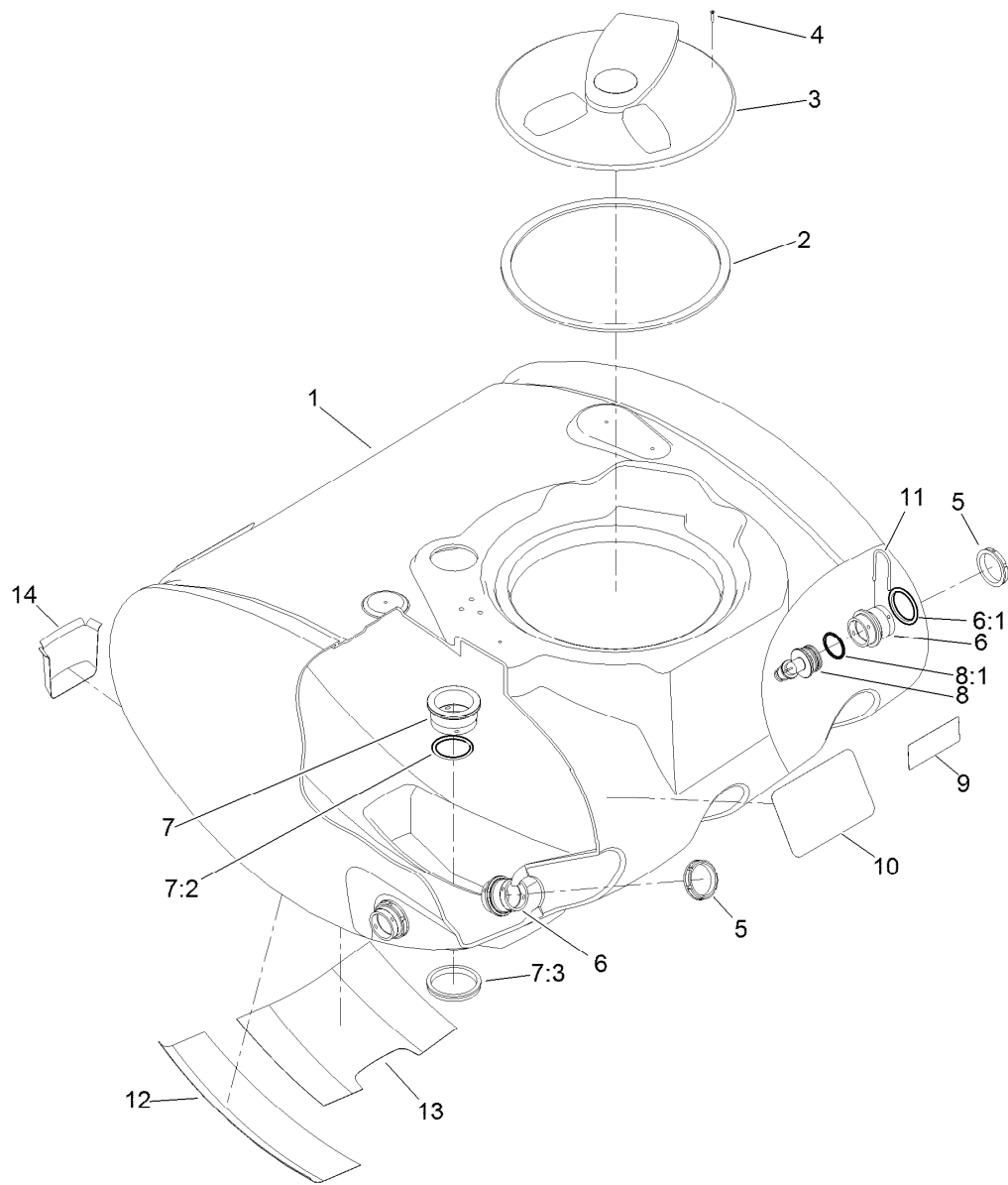
Bell Housing Assembly

<i>Ref.</i>	<i>Part Number</i>	<i>Qty.</i>	<i>Description</i>	<i>Ref.</i>	<i>Part Number</i>	<i>Qty.</i>	<i>Description</i>
1	147-3165	1	Housing-Bell	10	251-82	1	Bearing-Ball
2	147-3166	1	Clutch Release Lever ASM	11	147-4702	1	Support-Output Bearing
3	147-3169	1	Fork-Clutch	12	147-4704	1	Guide-Release
4	32121-24	2	Pin-Spring	13	32151-71	1	Ring-Retaining, Internal
5	32121-7	1	Pin-Roll, Slotted	14	322-6	3	Screw-HH
6	147-4700	1	Shaft-Output	15	87-3770	2	Bushing-Housing, Bell
7	3256-23	8	Washer-Plain	16	87-1920	2	Seal-Oil
8	322-10	5	Screw-HH	17	87-1910	2	Pin-Dowel
9	104-8300	5	Nut-HF, NI				



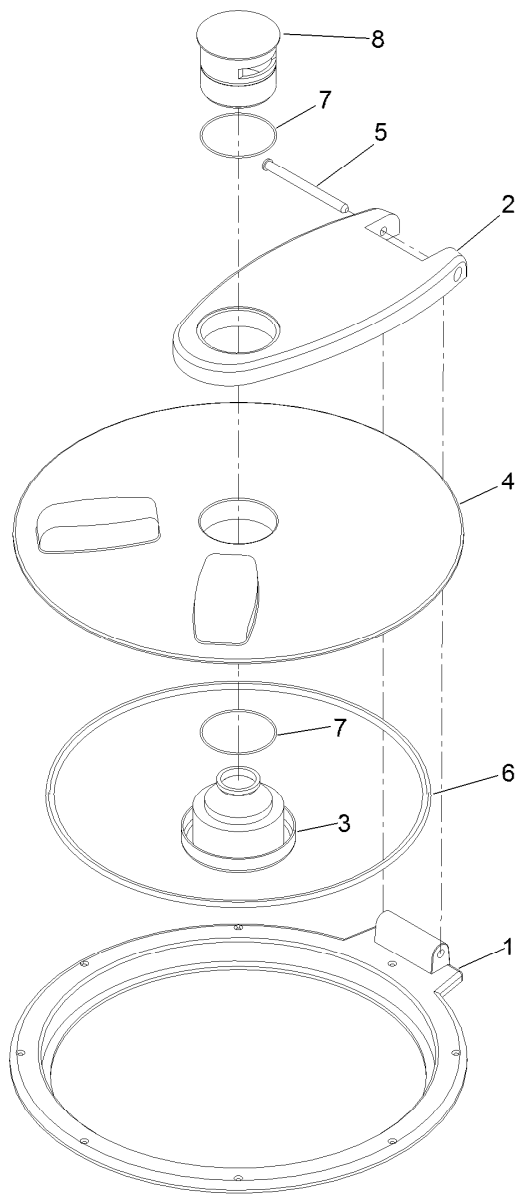
Spray Tank Assembly

Ref.	Part Number	Qty.	Description	Ref.	Part Number	Qty.	Description
1	323-59	2	Bolt-Cap	20	133-2883	1	Fitting
2	100-8649	1	Hose-Suction	21	121-6477-03	2	Band-Tank
3	121-6491	1	Tank ASM	22	125-7997	1	Tube-Suction
4	100-8642	1	Screen-Suction	23	104-8301	3	Nut-HF, NI
5	100-8641	1	Vane-Screen	24	3256-4	4	Washer-Flat
6	110-5082-03	1	Bracket-Anti Siphon	25	3290-343	4	Pin-Hair
7	41140	1	Elbow	26	41316	1	Adapter-Quick
8	110-5090	1	Grommet	27	3234-29	2	Screw-HHF
9	110-5088	1	Hose-Fill	28	3296-47	2	Nut-Lock,NI
10	100-6779	1	Coupling-Female	29	125-0987-03	2	Band-Tank, Rear
11	100-6704	1	Tee	30	100-6714	1	Foot-Tube, Suction
12	106-4947	1	Connector	31	108-3270	1	Screw-TAP
12:1	100-8637	2	O-Ring	32	130-7096	1	Filter ASM
13	108-0069	1	Valve-Ball	33	2412-130	2	Clamp-Hose
14	110-5224	1	Fitting-Barbed, Straight	34	114-9566	1	Clamp-R
15	100-8635	8	Fork	35	3231-2	1	Bolt-CARR
16	117-7996	2	Fork	36	3234-30	1	Screw-HHF
17	117-7928	2	Adapter ASM	37	1-809066	1	Cable Tie-Plastic
17:2	100-6989	1	O-Ring	38	132-7787	1	Coupler-Quick
18	2412-34	1	Clamp-Hose	39	133-2884	1	O-Ring
19	119-9419	1	Basket-Filter	99	133-0385	2	Screen-Teejet, 50 Mesh



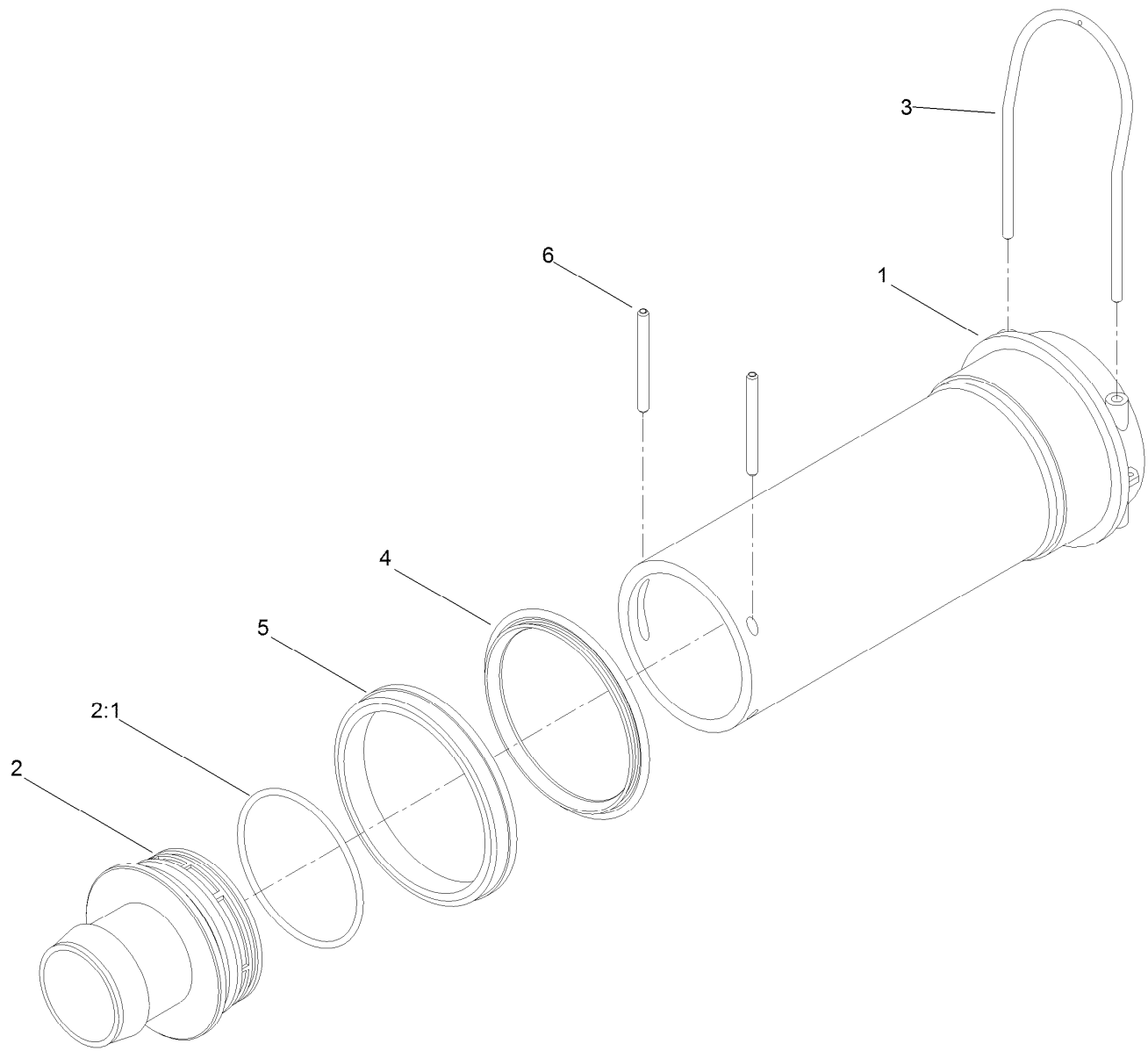
Tank Assembly No. 121-6491

<i>Ref.</i>	<i>Part Number</i>	<i>Qty.</i>	<i>Description</i>	<i>Ref.</i>	<i>Part Number</i>	<i>Qty.</i>	<i>Description</i>
1	121-6490	1	Tank-175 Gallon	7:3	100-8647	1	Nut-Bulkhead
2	119-9378	1	Gasket-Lid, Tank	8	106-4933	2	Hosebarb ASM
3	138-6283	1	Lid ASM - Sprayer Tank	8:1	100-8637	1	O-Ring
4	107-8635	8	Screw-PFH	9	120-0622	1	Decal-Warning
5	100-7051	4	Nut-Bulkhead	10	121-6486	2	Decal-Tank
6	108-3358	5	Fitting-Bulkhead	11	100-8635	2	Fork
6:1	107-2864	1	Gasket-Bulkhead	12	125-7967	1	Heat Tape-Shield, Front
7	117-7851	1	Bulkhead ASM	13	125-7968	1	Heat Tape-Shield, Side
7:2	100-8646	1	Gasket-Bulkhead	14	125-7969	1	Heat Tape-Shield, Sump



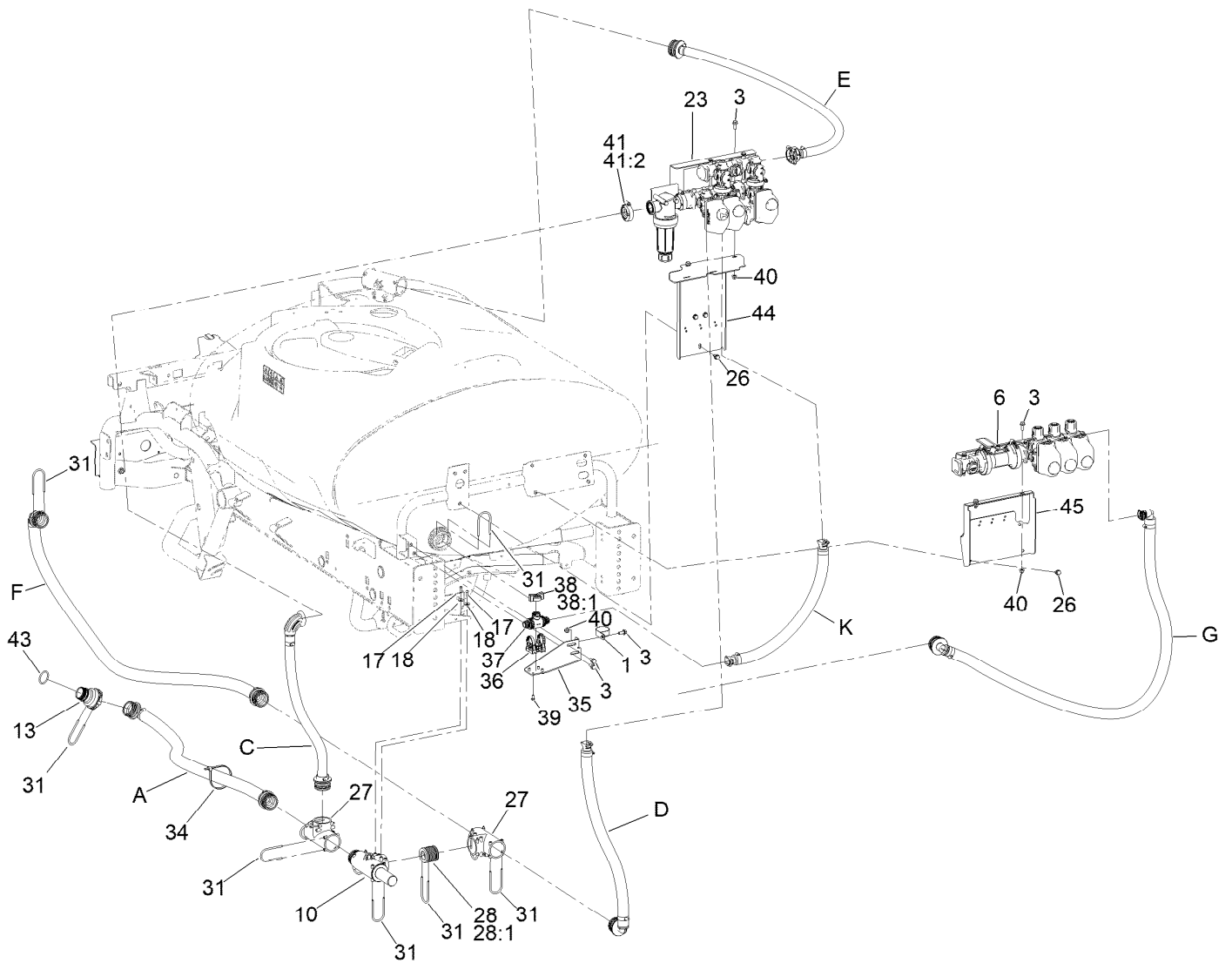
Spray Tank Lid Assembly No. 138-6283

<i>Ref.</i>	<i>Part Number</i>	<i>Qty.</i>	<i>Description</i>
1	119-9381	1	Ring-Lid
2	119-9382	1	Arm-Lid
3	119-9383	1	Vent-Lid
4	119-9384	1	Cover-Lid
5	119-9385	1	Pin-Pivot
6	138-6281	1	Seal - Tank Lid
7	119-9386	2	O-Ring
8	119-9387	1	Cap-Lid



Filter Assembly No. 130-7096

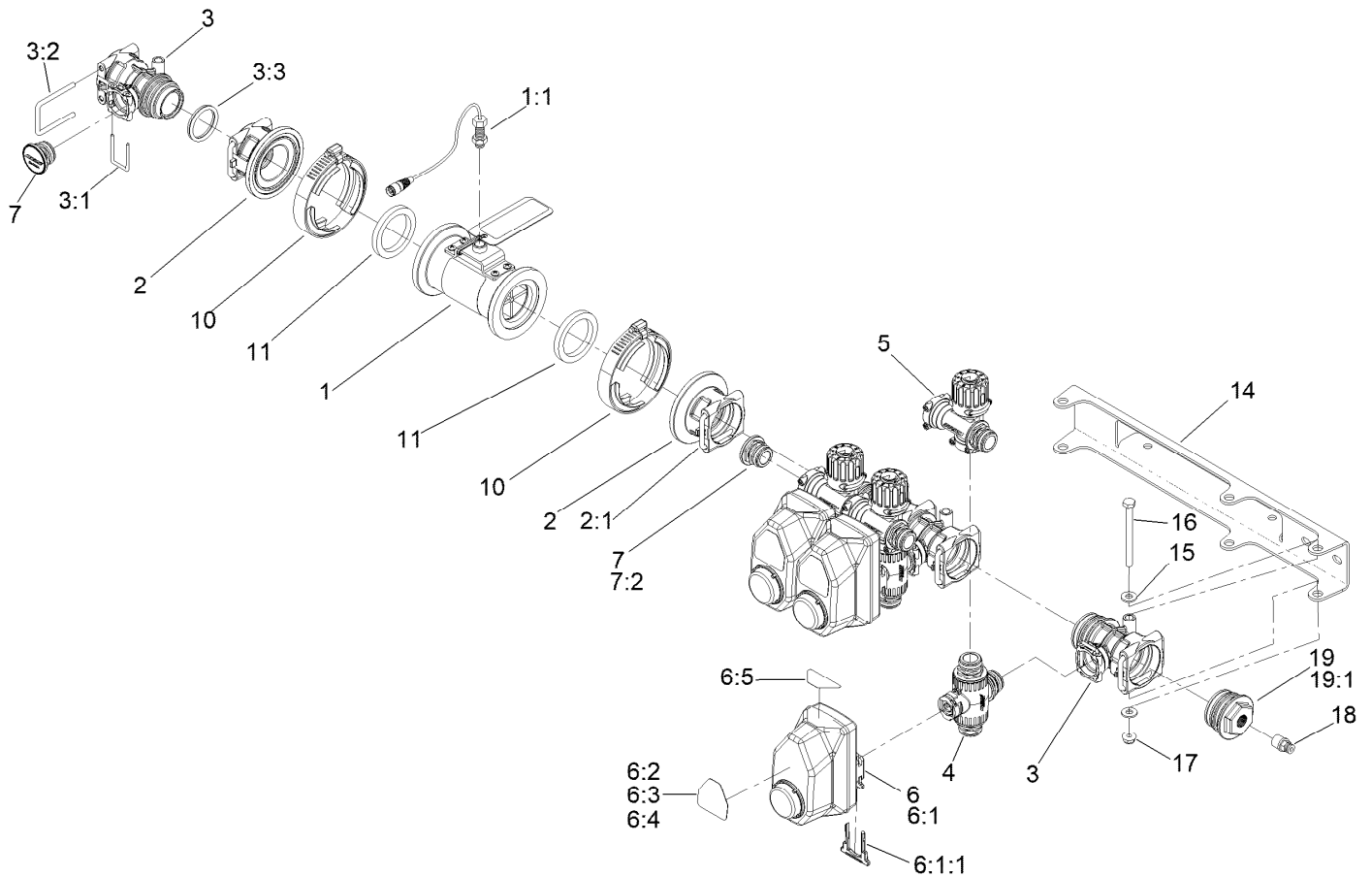
<i>Ref.</i>	<i>Part Number</i>	<i>Qty.</i>	<i>Description</i>
1	100-8643	1	Housing-Filter
2	106-4942	1	Hosebarb-Straight
2:1	100-6989	1	O-Ring
3	100-8636	1	Fork-Special
4	100-8646	1	Gasket-Bulkhead
5	100-8647	1	Nut-Bulkhead
6	100-8644	2	Pin-Expansion



Spray Tank Valve Assembly

Ref.	Part Number	Qty.	Description	Ref.	Part Number	Qty.	Description
1	2412-147	1	Clamp-R	35	132-4318-03	1	Mount-Bracket, Agitation
3	3234-47	7	Screw-HHF	36	132-4302	1	Mount-Valve
6		1	Manifold ASM, Section ●	37	131-0249	1	On/Off 2-Way Valve Kit
10	117-7874	1	Relief Valve ASM	38	131-0264	1	Agitation Throttling Handle Kit
13	133-2881	1	Fitting	38:1	131-0263	1	Screw-Handle
17	32144-32	2	Screw-PPH	39	33113-012	4	Screw-HH
18	3256-61	2	Washer-Flat	40	104-8300	5	Nut-HF, NI
23		1	Manifold ASM, Agitation ●	41	127-9829	1	Clamp/Gasket Kit
26	32104-32	7	Screw-HWH	41:2	127-1145	1	Gasket-Flange
27	100-6704	2	Tee	43	133-2882	1	O-Ring
28	106-4947	1	Connector	44	147-4658-03	1	Valve-Mount, ASM [black]
28:1	100-8637	2	O-Ring	45	147-4662-03	1	Agitation-Mount, ASM [black]
31	100-8635	12	Fork				
34	3334-945	3	Tie-Cable				

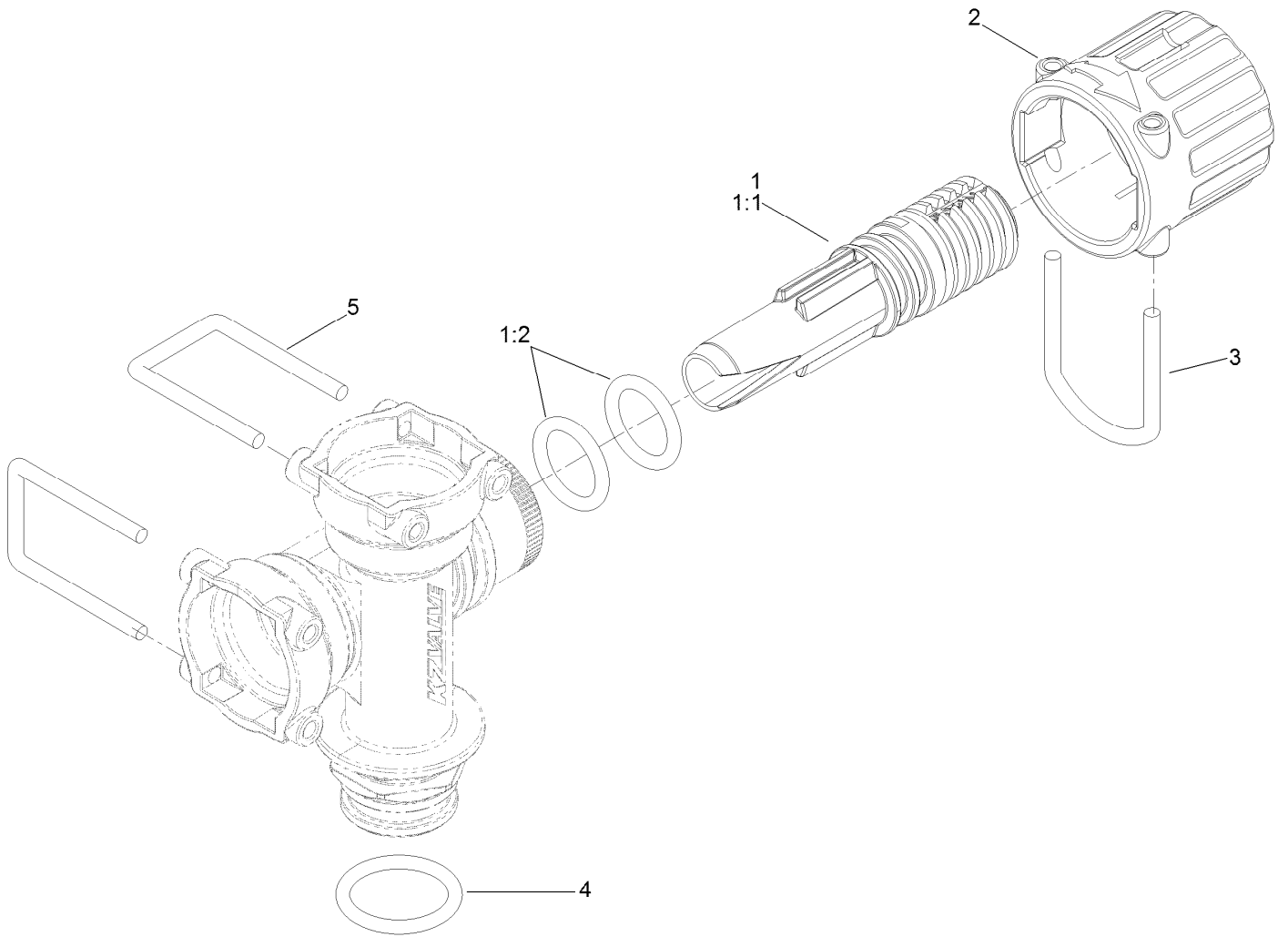
● Not serviced separately



Section Manifold Assembly

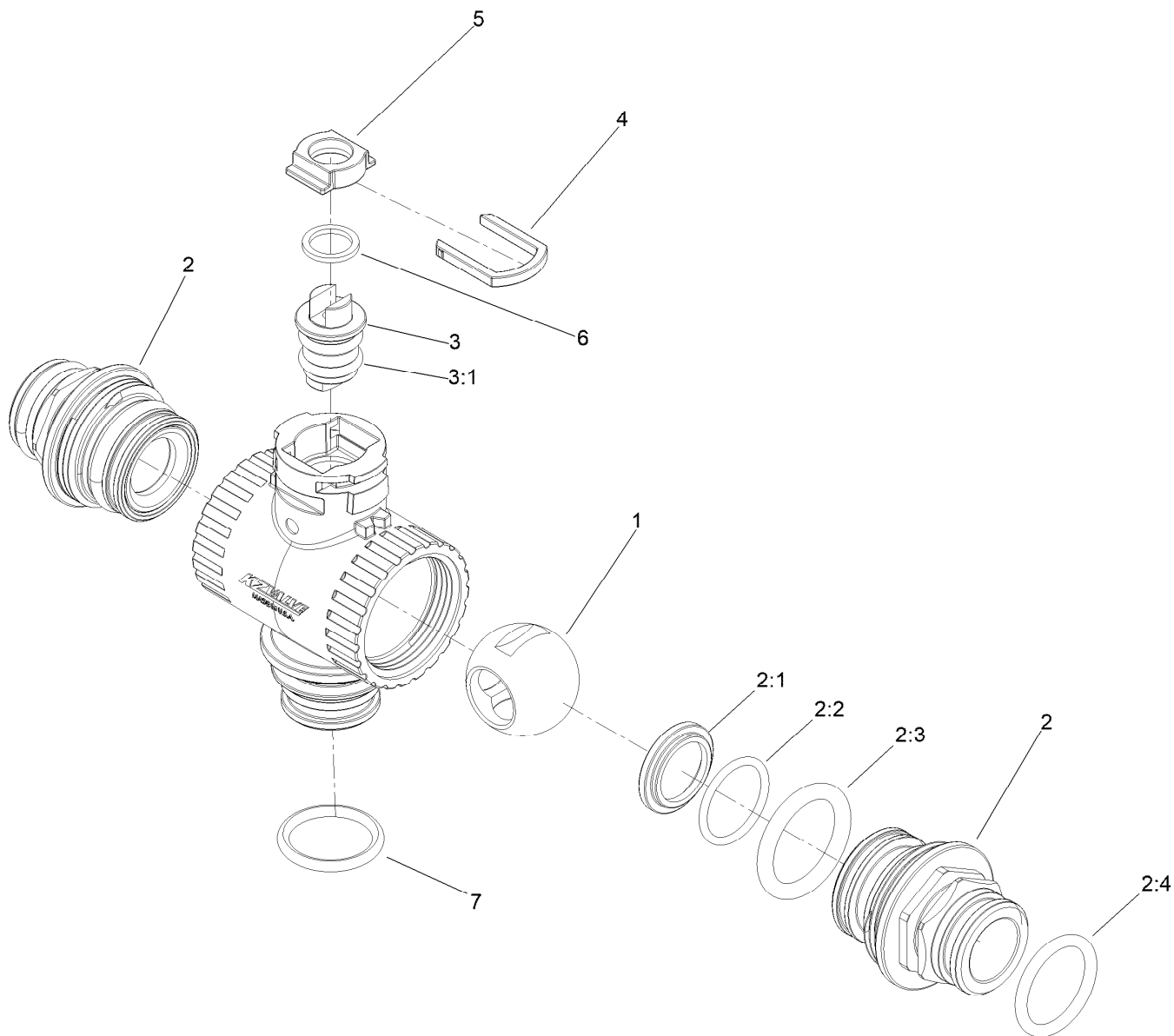
Ref.	Part Number	Qty.	Description	Ref.	Part Number	Qty.	Description
1	147-4730	1	Flow Meter ASM	6:3	127-6981	1	Decal-Valve, On/Off
1:1	147-4733	1	Sensor - Flow Meter, Fm270PIf	6:4	127-6982	1	Decal-Valve, Master Boom
2	147-3197	2	Kit Qf, Flange-M200 Female	6:5	127-6976	1	Decal-Valve, Bypass Adjust
2:1	147-3186	1	Pin-Fork, Qf Large	7	127-9810	2	Male Cap Fitting Kit
3	147-3187	4	Kit-Qf, Manifold Tee	7:2	127-1187	1	O-Ring, Endcap
3:1	147-3185	1	Pin-Fork, Qf Small	10	104-9089	2	Clamp-Screw, Worm
3:2	147-3186	1	Pin-Fork, Qf Large	11	104-9090	2	Gasket
3:3	147-3188	1	Seal-Manifold, Qf Series	14	147-4659	1	Brkt-Section
4	147-3183	3	Kit-Tx2 - 3Way Manifold	15	3256-22	6	Washer-Flat
5	127-9805	3	Bypass Valve ASM	16	321-23	3	Screw-HH
6	140-7377	3	Kit-Actuator Pi, On/Off	17	104-7201	3	Nut-HF, NI
6:1		1	Actuator - On/Off ●	18	131-3709	1	Coupler
6:1:1	130-7301	1	Hairpin-Actuator	19	161-4187	1	Kit Qf, Plug-Male W/Port
6:2	127-6979	1	Decal-Valve, Agitation	19:1	147-3188	1	Seal-Manifold, Qf Series

● Not serviced separately



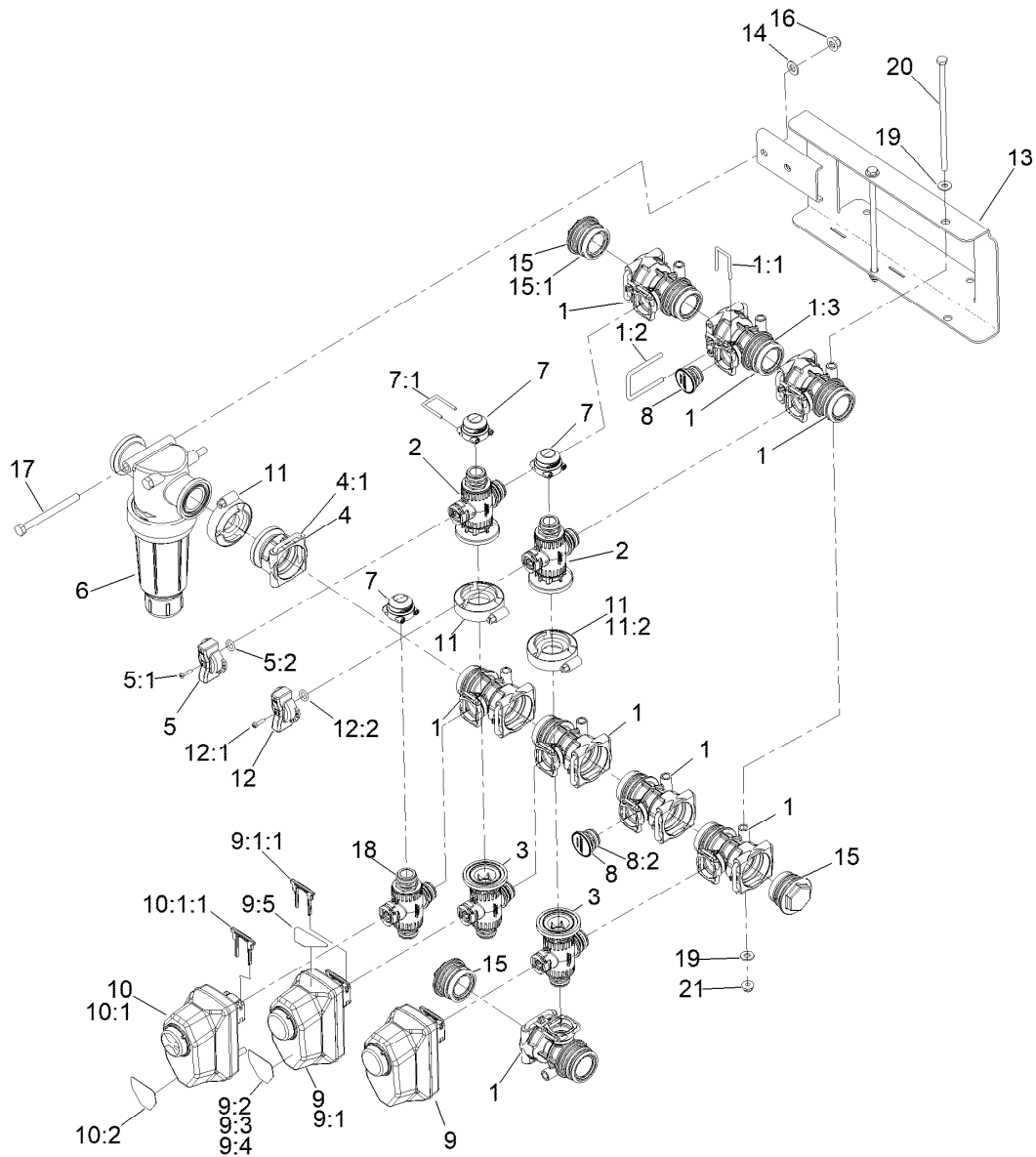
Bypass Valve Assembly No. 127-9805

<i>Ref.</i>	<i>Part Number</i>	<i>Qty.</i>	<i>Description</i>
1	131-0298	1	Bypass Needle Kit
1:1	127-1182	1	Needle-Bypass
1:2	127-1181	2	Oring-Bypass Needle
2	127-1180	1	Knob-Bypass
3	127-1179	1	Fork-Bypass Knob
4	127-1187	1	O-Ring, Endcap
5	133-0398	2	Pin-Fork



3-Way Valve Assembly No. 147-3183

Ref.	Part Number	Qty.	Description
1	127-1194	1	Ball-Valve, 3Way
2	130-7317	2	Endcap Kit
2:1	127-1192	1	Seat-Ball
2:2	127-1188	1	O-Ring, Seat (Ball)
2:3	127-1189	1	O-Ring, Endcap
2:4	127-1187	1	O-Ring, Endcap
3	130-8248	1	Vavle Stem Kit
3:1	127-1197	2	O-Ring-Stem
4	127-1190	1	Fork-Stem, Valve
5	127-1195	1	Seat-Stem, Valve
6	127-1196	1	Washer-Stem, Valve
7	127-1187	1	O-Ring, Endcap

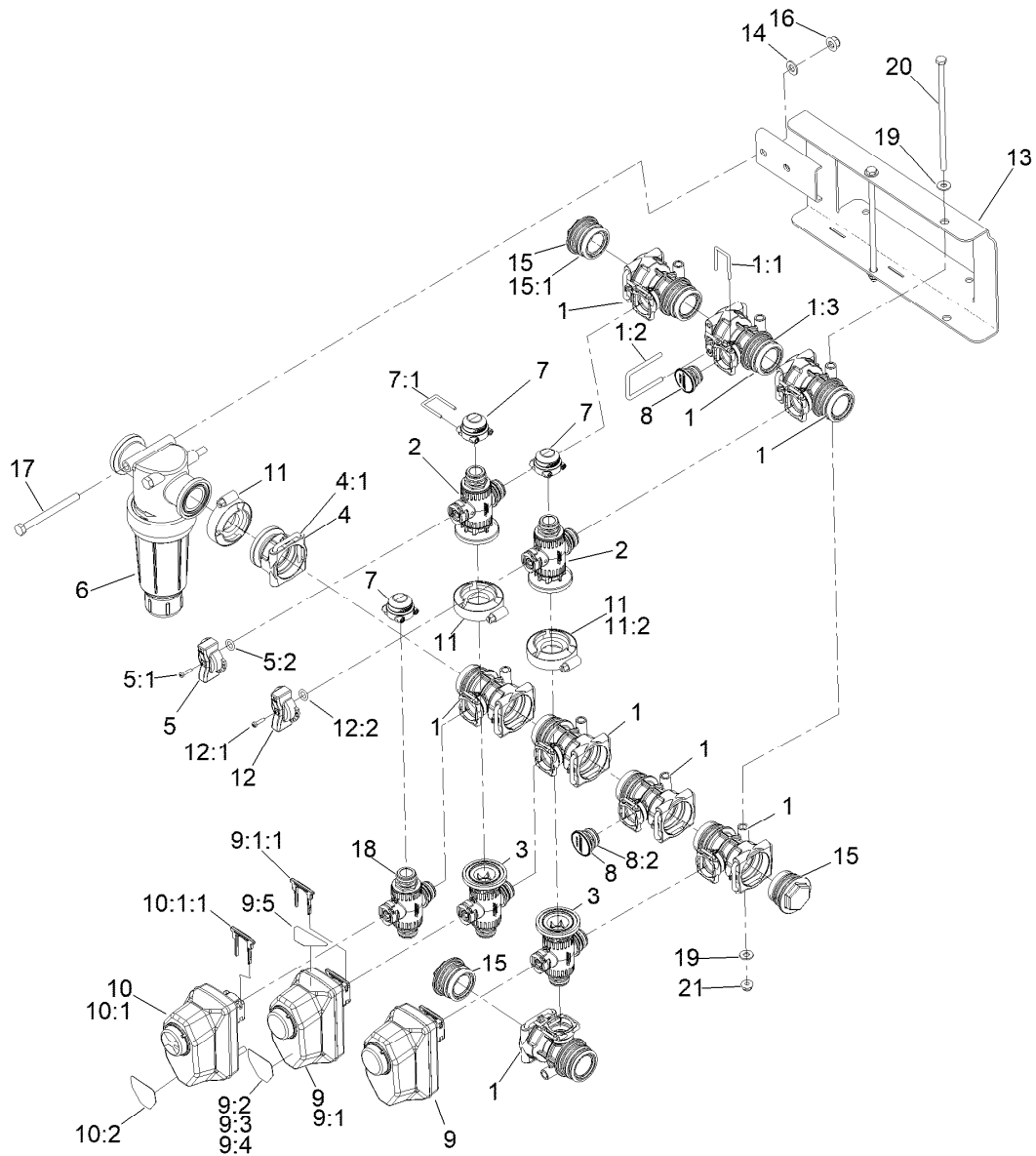


Agitation Manifold Assembly

Ref.	Part Number	Qty.	Description
1	147-3187	8	Kit-Qf, Manifold Tee
1:1	147-3185	1	Pin-Fork, Qf Small
1:2	147-3186	1	Pin-Fork, Qf Large
1:3	147-3188	1	Seal-Manifold, Qf Series
2	161-4110	2	Kit-Tx2 Manifold Valve, Reg
3	147-3192	2	Kit-Tx2, 3Way Flange Manifold
4	147-3189	1	Kit-Qf, Flange-M100 Female
4:1	147-3186	1	Pin-Fork, Qf Large
5	131-0265	1	Agitation Regulating Handle Kit
5:1	131-0263	1	Screw-Handle
5:2	127-1197	1	O-Ring-Stem
6	131-3791	1	Filter-Pressure
7	127-9811	3	Fitting-Cap, Female
7:1	133-0398	1	Pin-Fork
8	127-9810	2	Male Cap Fitting Kit
8:2	127-1187	1	O-Ring, Endcap

Ref.	Part Number	Qty.	Description
9	140-7377	2	Kit-Actuator Pi, On/Off
9:1		1	Actuator - On/Off ●
9:1:1	130-7301	1	Hairpin-Actuator
9:2	127-6979	1	Decal-Valve, Agitation
9:3	127-6981	1	Decal-Valve, On/Off
9:4	127-6982	1	Decal-Valve, Master Boom
9:5	127-6976	1	Decal-Valve, Bypass Adjust
10	144-6163	1	Kit-Actuator Regulating Pi
10:1		1	Actuator-Regulating Pi ●
10:1:1	130-7301	1	Hairpin-Actuator
10:2	127-6984	1	Decal-Valve, Regulating
11	127-9829	3	Clamp/Gasket Kit
11:2	127-1145	1	Gasket-Flange
12	131-0266	1	Master Regulating Handle Kit
12:1	131-0263	1	Screw-Handle
12:2	127-1197	1	O-Ring-Stem
13	161-4105	1	Agitation-Mount, ASM

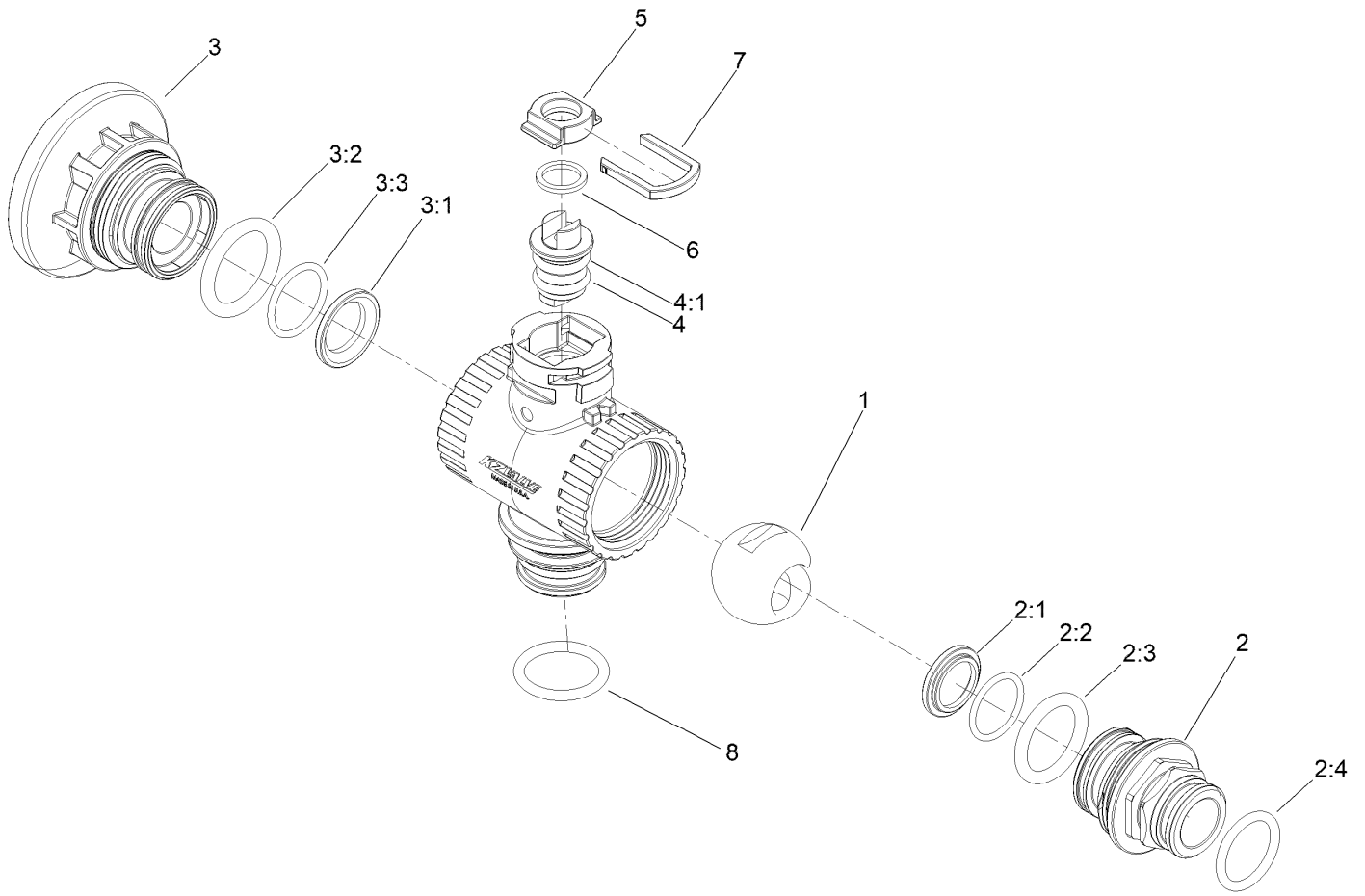
● Not serviced separately



Agitation Manifold Assembly (continued)

<i>Ref.</i>	<i>Part Number</i>	<i>Qty.</i>	<i>Description</i>	<i>Ref.</i>	<i>Part Number</i>	<i>Qty.</i>	<i>Description</i>
14	3256-23	2	Washer-Plain	18	161-4111	1	Kit-Tx2 Manifold Qd, Reg
15	147-3193	3	Kit Qf, Plug-Male W/O Port	19	3256-22	4	Washer-Flat
15:1	147-3188	1	Seal-Manifold, Qf Series	20	161-4128	2	Screw-HH
16	104-8300	2	Nut-HF, NI	21	104-7201	2	Nut-HF, NI
17	322-22	2	Screw-HH				

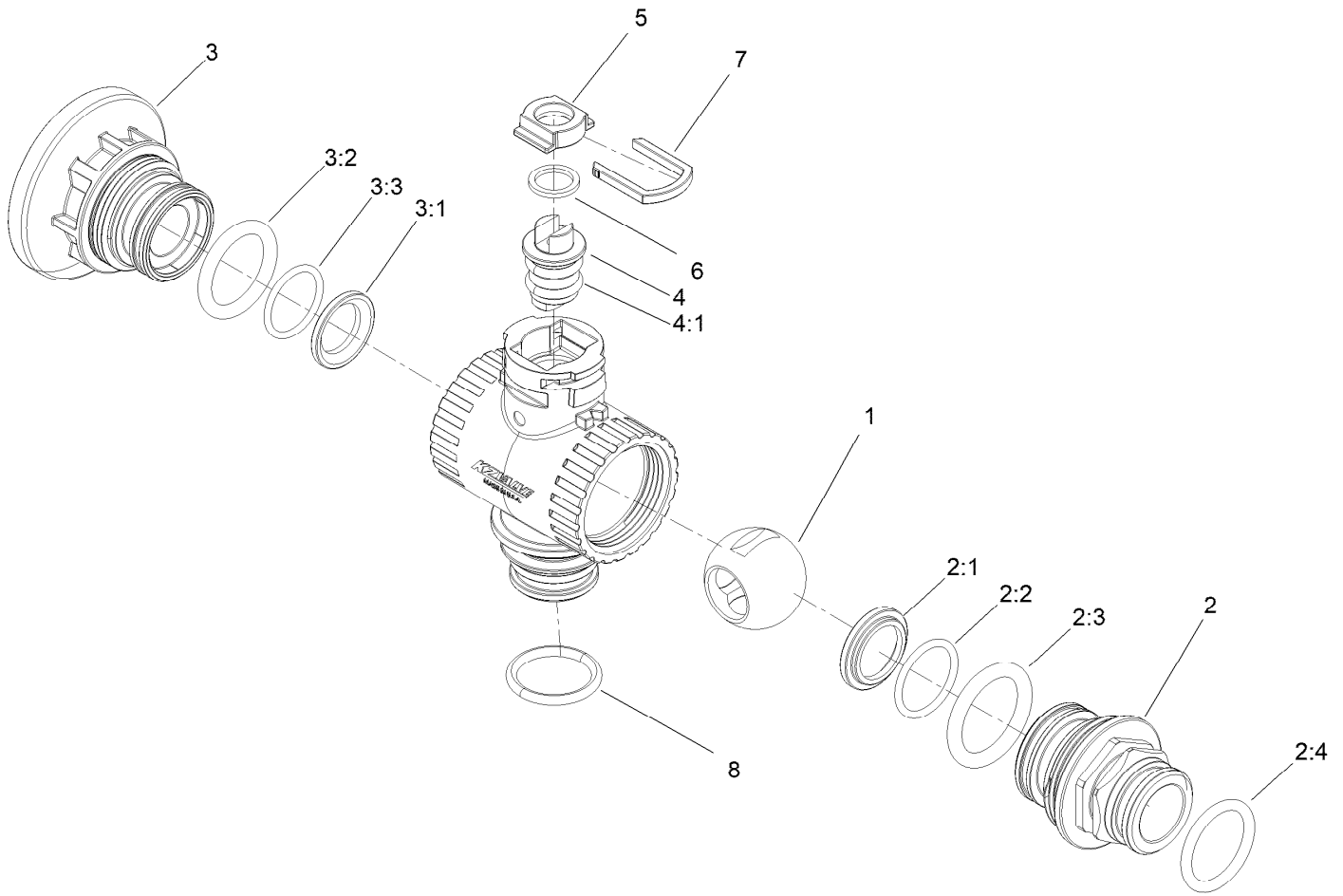
● Not serviced separately



M100 Manifold Assembly No. 161-4110

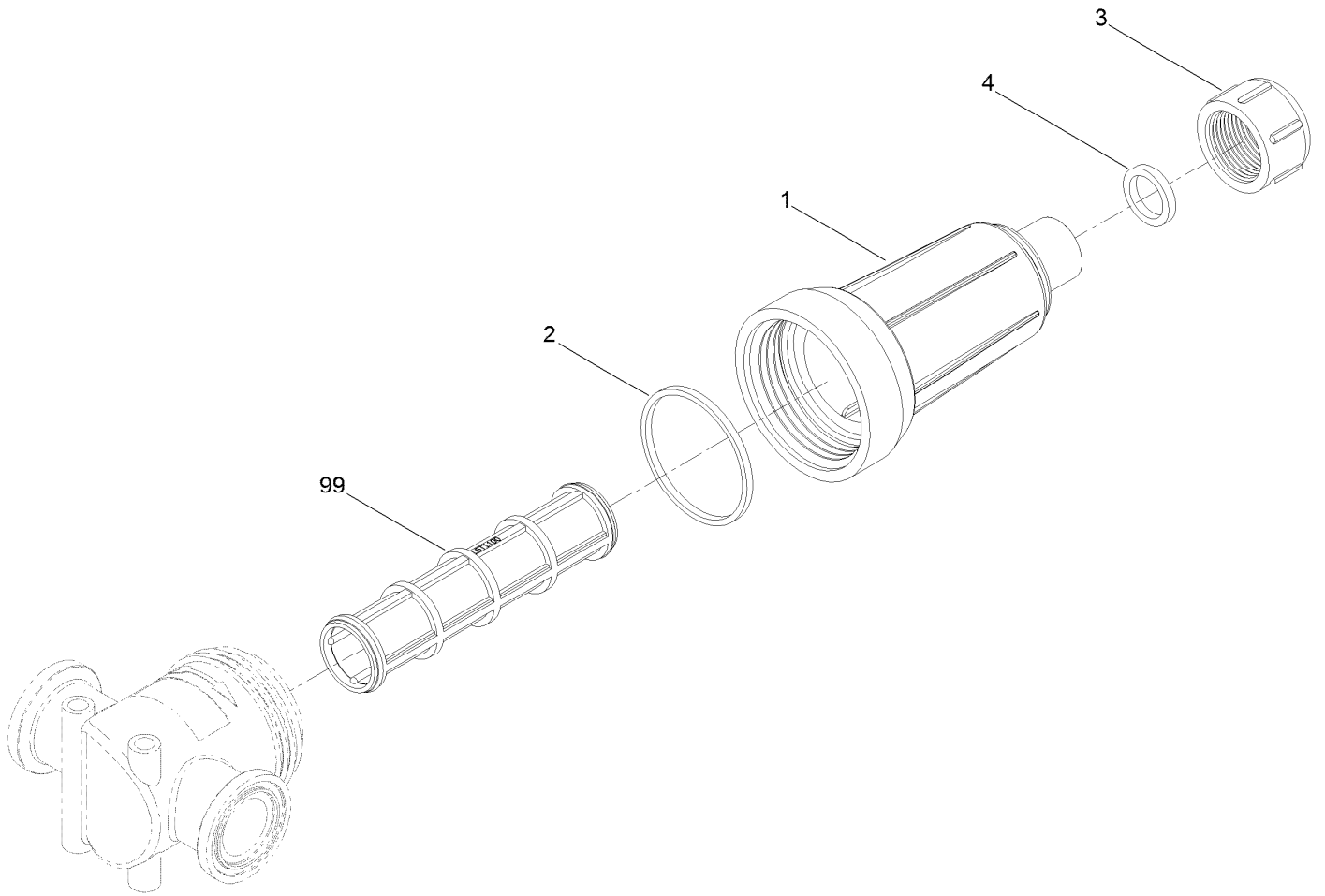
<i>Ref.</i>	<i>Part Number</i>	<i>Qty.</i>	<i>Description</i>
1	127-1113	1	Ball-V
2	130-7317	1	Endcap Kit
2:1	127-1192	1	Seat-Ball
2:2	127-1188	1	O-Ring, Seat (Ball)
2:3	127-1189	1	O-Ring, Endcap
2:4	127-1187	1	O-Ring, Endcap
3	130-8249	1	Endcap Kit
3:1	127-1192	1	Seat-Ball

<i>Ref.</i>	<i>Part Number</i>	<i>Qty.</i>	<i>Description</i>
3:2	127-1188	1	O-Ring, Seat (Ball)
3:3	127-1189	1	O-Ring, Endcap
4	130-8248	1	Valve Stem Kit
4:1	127-1197	2	O-Ring-Stem
5	127-1195	1	Seat-Stem, Valve
6	127-1196	1	Washer-Stem, Valve
7	127-1190	1	Fork-Stem, Valve
8	127-1187	1	O-Ring, Endcap



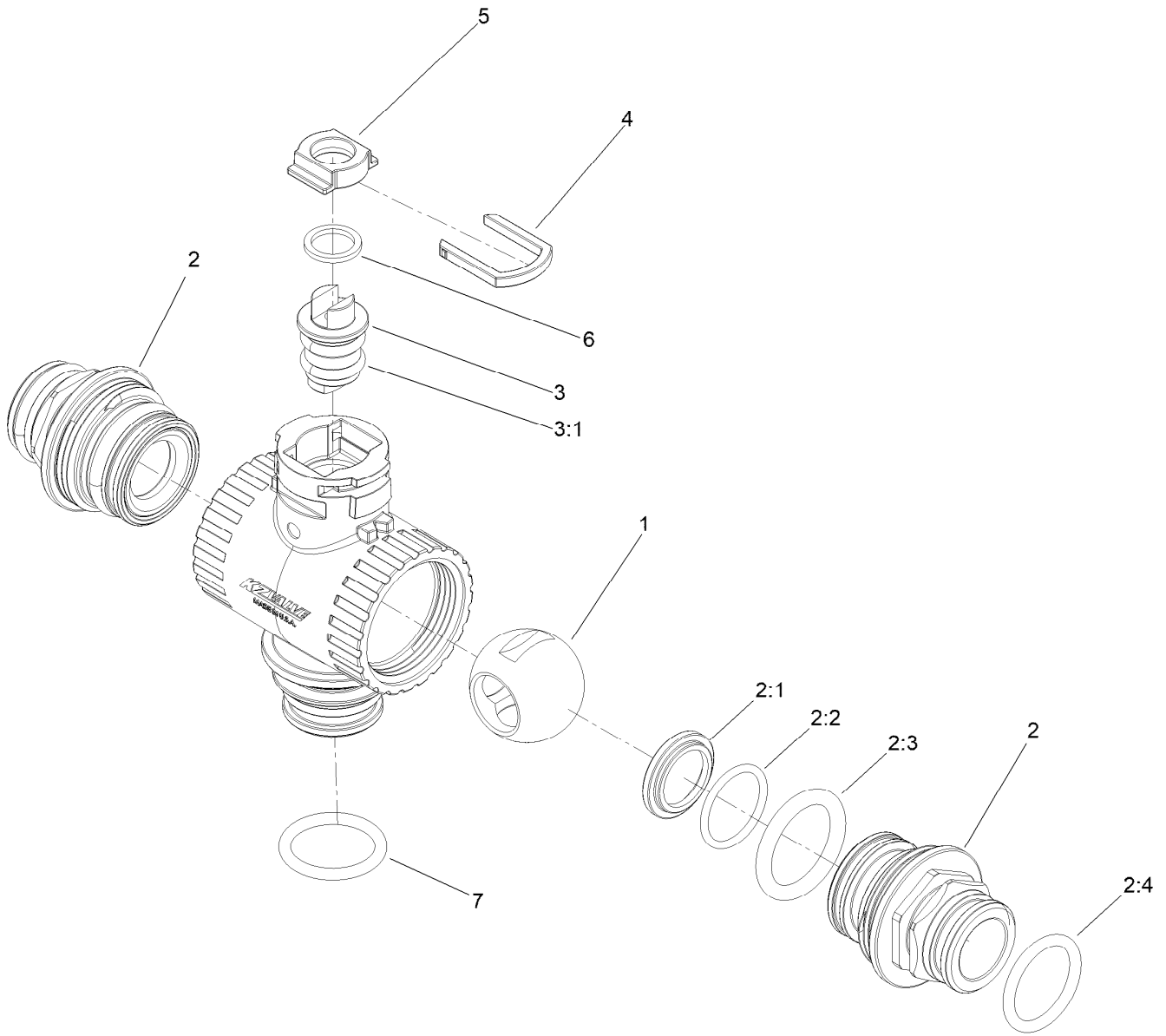
3-Way Flange Manifold Assembly No. 147-3192

<i>Ref.</i>	<i>Part Number</i>	<i>Qty.</i>	<i>Description</i>	<i>Ref.</i>	<i>Part Number</i>	<i>Qty.</i>	<i>Description</i>
1	127-1194	1	Ball-Valve, 3Way	3:2	127-1188	1	O-Ring, Seat (Ball)
2	130-7317	1	Endcap Kit	3:3	127-1189	1	O-Ring, Endcap
2:1	127-1192	1	Seat-Ball	4	130-8248	1	Valve Stem Kit
2:2	127-1188	1	O-Ring, Seat (Ball)	4:1	127-1197	2	O-Ring-Stem
2:3	127-1189	1	O-Ring, Endcap	5	127-1195	1	Seat-Stem, Valve
2:4	127-1187	1	O-Ring, Endcap	6	127-1196	1	Washer-Stem, Valve
3	130-8249	1	Endcap Kit	7	127-1190	1	Fork-Stem, Valve
3:1	127-1192	1	Seat-Ball	8	127-1187	1	O-Ring, Endcap



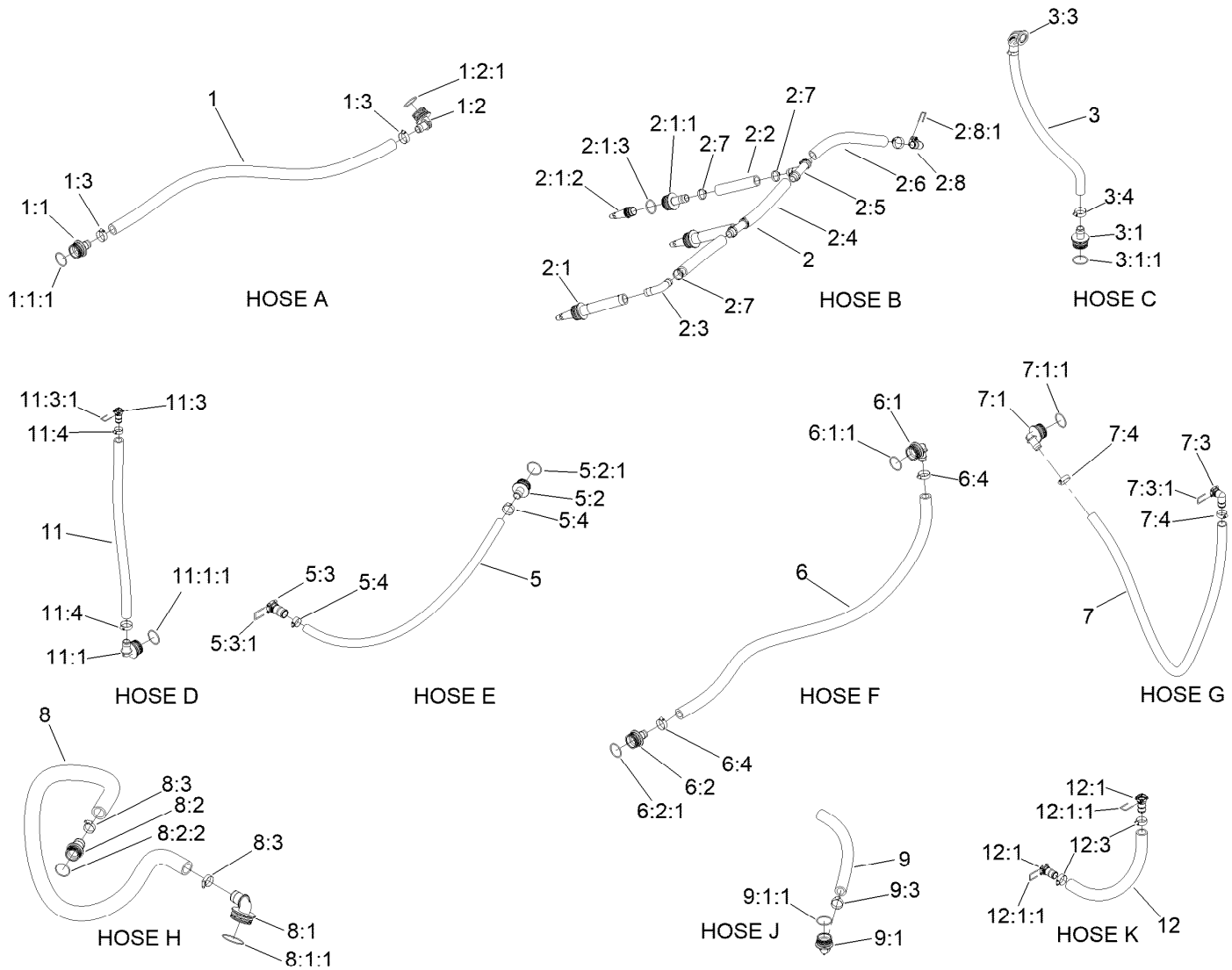
Pressure Filter Assembly No. 131-3791

<i>Ref.</i>	<i>Part Number</i>	<i>Qty.</i>	<i>Description</i>
1	136-0397	1	Bowl-Strainer
2	136-0398	1	Rubber-Gasket
3	136-0410	1	Strainer Cap
4	136-0399	1	Rubber-Gasket
99	133-0384	1	Screen-Teejet, 30 Mesh
99	133-0385	1	Screen-Teejet, 50 Mesh
99	133-0386	1	Screen-Teejet, 80 Mesh
99	133-0387	1	Screen-Teejet, 100 Mesh



QD Manifold Assembly No. 161-4111

Ref.	Part Number	Qty.	Description
1	127-1113	1	Ball-V
2	130-7317	2	Endcap Kit
2:1	127-1192	1	Seat-Ball
2:2	127-1188	1	O-Ring, Seat (Ball)
2:3	127-1189	1	O-Ring, Endcap
2:4	127-1187	1	O-Ring, Endcap
3	130-8248	1	Valve Stem Kit
3:1	127-1197	2	O-Ring-Stem
4	127-1190	1	Fork-Stem, Valve
5	127-1195	1	Seat-Stem, Valve
6	127-1196	1	Washer-Stem, Valve
7	127-1187	1	O-Ring, Endcap



Reference **Spray Tank Assembly** page and **Spray Tank Valve Assembly** page for hose locations and orientation

Hose Assembly

Ref.	Part Number	Qty.	Description	Ref.	Part Number	Qty.	Description
1	121-6539	1	Main Supply Hose ASM	2:8:1	133-0398	1	Pin-Fork
1:1	106-4932	1	Hosebarb-Straight	3	132-4314	1	Hose-Supply
1:1:1	100-8637	1	O-Ring	3:1	106-4932	1	Hosebarb-Straight
1:2	106-4933	1	Hosebarb ASM	3:1:1	100-8637	1	O-Ring
1:2:1	100-8637	1	O-Ring	3:3	131-0241	1	Fitting-Elb 90
1:3	2412-34	2	Clamp-Hose	3:4	2412-34	2	Clamp-Hose
2	139-3094	1	Hose-Agitation, ASM	5		1	Hose ASM, Agitation Bypass
2:1	131-3731	3	Agitation Nozzle ASM				●
2:1:1	131-3732	1	Fitting-Barb	5:2	106-4932	1	Hosebarb-Straight
2:1:2	120-8579	1	Nozzle-Agitation	5:2:1	100-8637	1	O-Ring
2:1:3	121-4996	1	O-Ring	5:3	161-4117	1	Kit-Fitting, Qf 1" Barb Female
2:2	125-0665	3	Nozzle-Hose, Agitation	5:3:1	147-3186	1	Pin-Fork, Qf Large
2:3	117-7867	1	Elbow-Hosebarb	5:4	2412-34	2	Clamp-Hose
2:4	125-0664	2	Tee-Hose, Agitation	6	125-0601	1	Regulating Hose ASM
2:5	117-7866	2	Tee-Hosebarb	6:1	106-4933	1	Hosebarb ASM
2:6	132-4311	1	Hose-Agitation	6:1:1	100-8637	1	O-Ring
2:7	2412-34	12	Clamp-Hose	6:2	106-4932	1	Hosebarb-Straight
2:8	131-0213	1	90 DEG Barb Fitting Kit				
				9			
				9:1:1			
				9:3			
				9:1			
				12:1			
				12:1:1			
				12:3			
				12:1:1			

● Not serviced separately

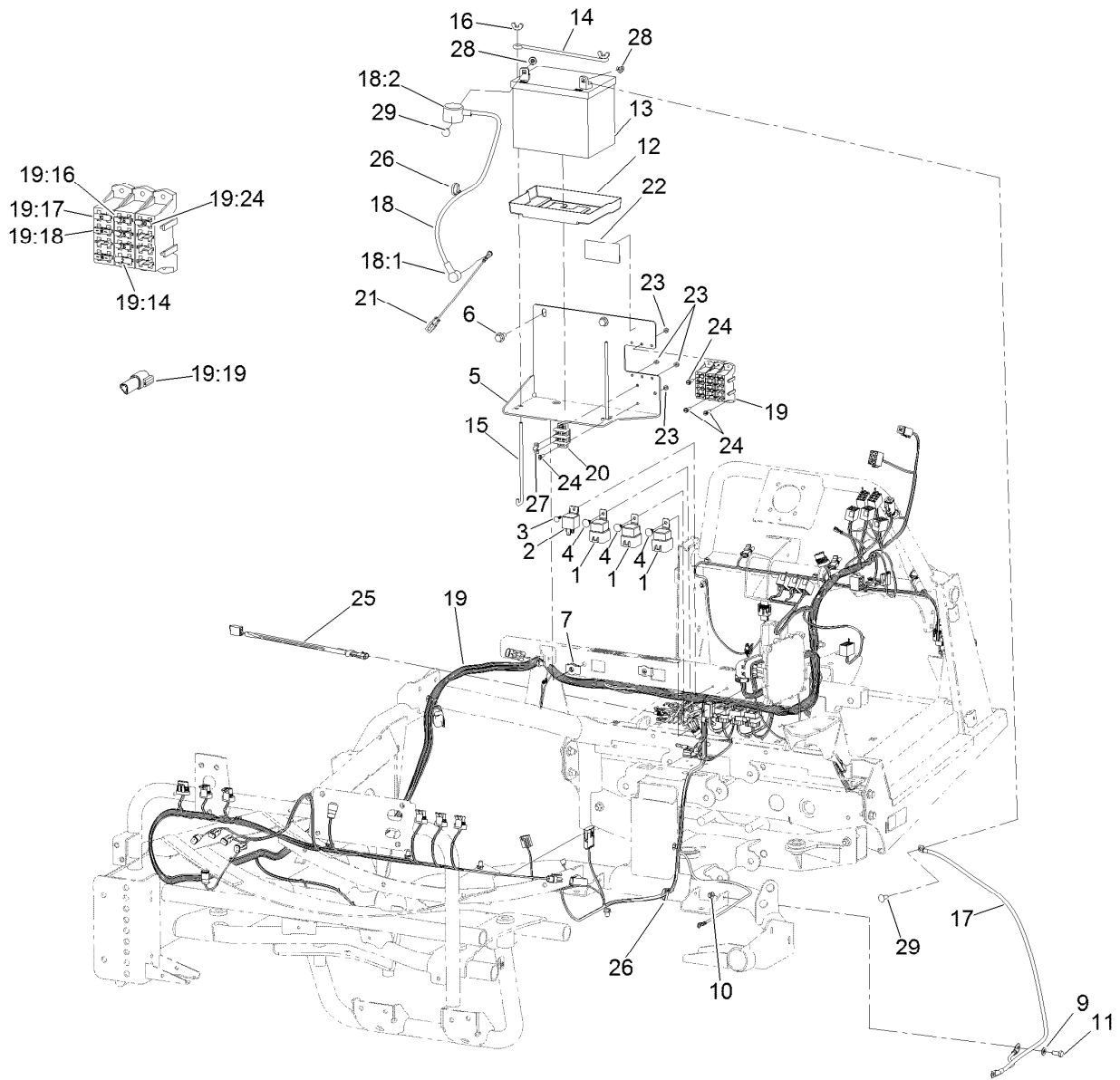


Reference **Spray Tank Assembly** page and **Spray Tank Valve Assembly** page for hose locations and orientation

Hose Assembly (continued)

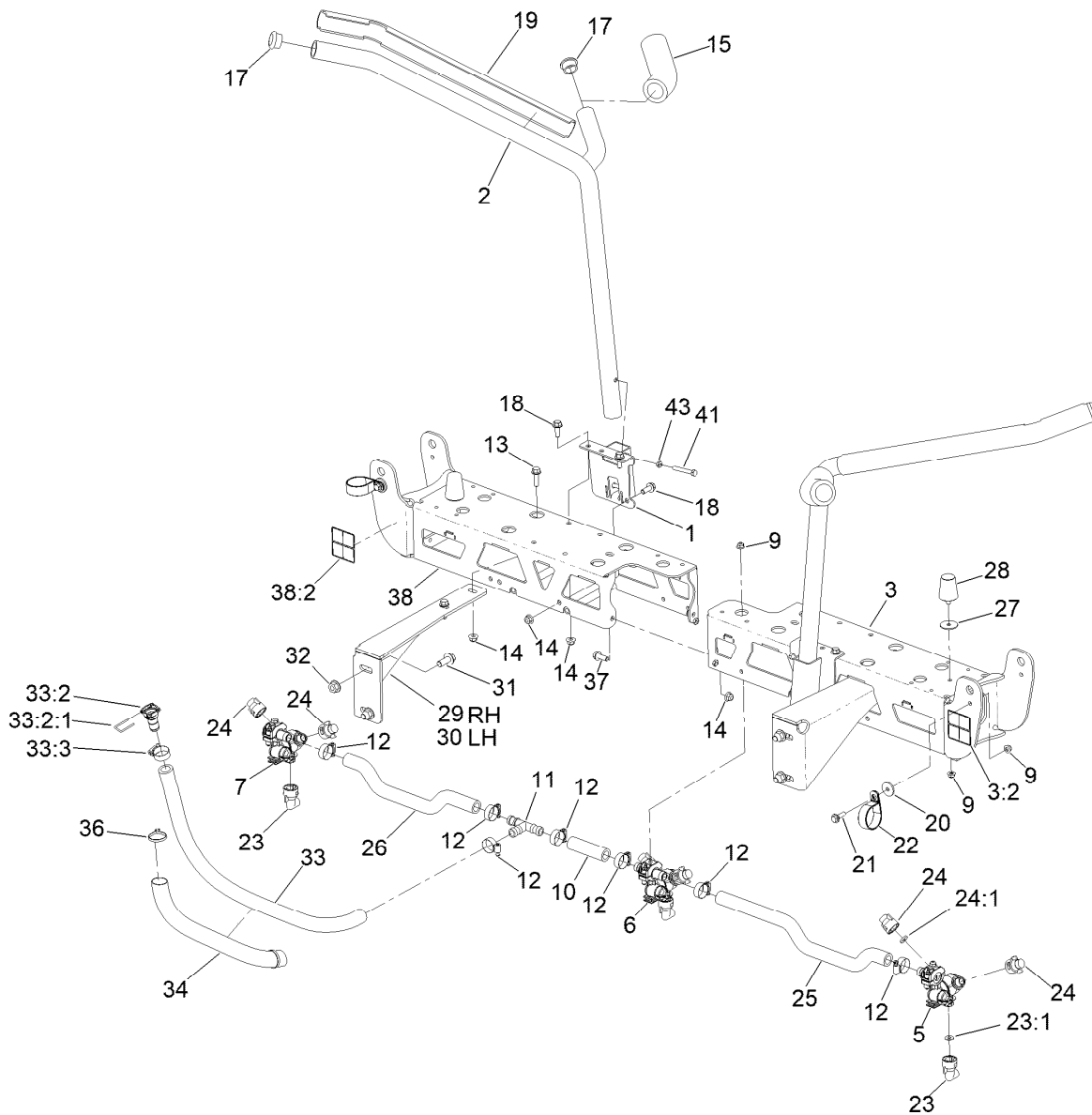
Ref.	Part Number	Qty.	Description	Ref.	Part Number	Qty.	Description
6:2:1	100-8637	1	O-Ring	9	125-0647	1	Drain Hose ASM
6:4	2412-34	2	Clamp-Hose	9:1	106-4933	1	Hosebarb ASM
7	132-4315	1	Hose-Bypass	9:1:1	100-8637	1	O-Ring
7:1	106-4933	1	Hosebarb ASM	9:3	2412-34	1	Clamp-Hose
7:1:1	100-8637	1	O-Ring	11	132-4316	1	Hose-Regulating
7:3	131-0213	1	90 DEG Barb Fitting Kit	11:1	106-4933	1	Hosebarb ASM
7:3:1	133-0398	1	Pin-Fork	11:1:1	100-8637	1	O-Ring
7:4	2412-34	2	Clamp-Hose	11:3	127-9806	1	Fitting Kit
8	125-0603	1	Top Suction Hose ASM	11:3:1	133-0398	1	Pin-Fork
8:1	106-4952	1	Hosebarb-90 DEG	11:4	2412-34	2	Clamp-Hose
8:1:1	100-6989	1	O-Ring	12	132-4319	1	Hose-Regulating
8:2	117-7982	1	Hosebarb ASM	12:1	127-9806	2	Fitting Kit
8:2:2	100-8637	1	O-Ring	12:1:1	133-0398	1	Pin-Fork
8:3	41327	2	Clamp-Hose	12:3	2412-34	2	Clamp-Hose

● Not serviced separately



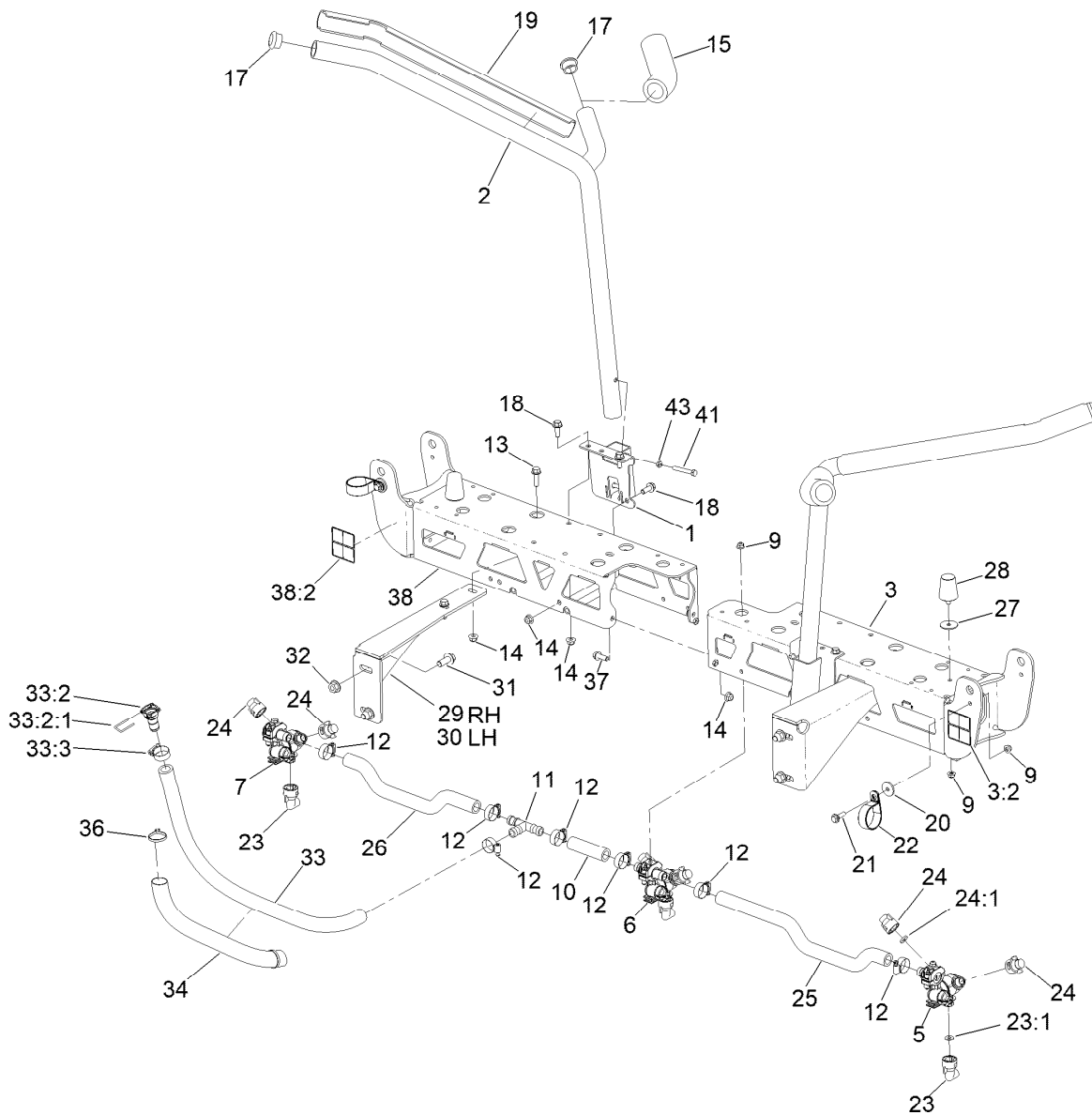
Main Wiring Harness and Battery Assembly

Ref.	Part Number	Qty.	Description	Ref.	Part Number	Qty.	Description
1	99-7430	3	Relay-Mini	18:2	109-2407	1	Insulator-Battery
2	99-7435	1	Relay	19	122-1438	1	Harness-Wire, Mp1750
3	125-8067	1	Plug-Plastic	19:14	94-6710	1	Fuse-2 Amp
4	117-2382	3	Plug-Plastic	19:16	114241	3	Fuse-Blade, 7.5 Amp
5	125-0908-0P	1	Base - Battery	19:17	218-578	1	Fuse-Blade, 10 Amp
6	3234-11	2	Screw-HHF	19:18	109355	3	Fuse-Blade, 15 Amp
7	105-4886	2	Nut-Tinnerman	19:19	32180-043	2	Resistor-120 Ohm
9	3256-23	1	Washer-Plain	19:24	109103	1	Fuse-Blade, 30 Amp
10	32128-25	1	Nut-HF	20	42862	1	Block-Terminal, Ground
11	322-3	1	Screw-HH	21	108-9455	1	Harness-Wire, Fusible Link
12	106948	1	Tray-Battery	22	144-6007	1	Decal - Fuse Block
13	104-8162	1	Battery	23	3296-2	5	Nut-Lock, NI
14	100-6434	1	Rod-Hold Down, Battery	24	32105-13	5	Screw-HWH
15	100-6435	2	Post-Battery	25	108-8657	1	Harness-Wire, Seat
16	1-543792	2	Wingnut	26	3290-379	2	Tie-Cable
17	122-0137	1	Cable-Battery, Negative	27	42863	1	Strip-Jumper
18	109-7621	1	Positive Battery Cable ASM	28	104-8300	2	Nut-HF, NI
18:1	1-543393	1	Insulator-Solenoid	29	3230-1	2	Bolt-CARR



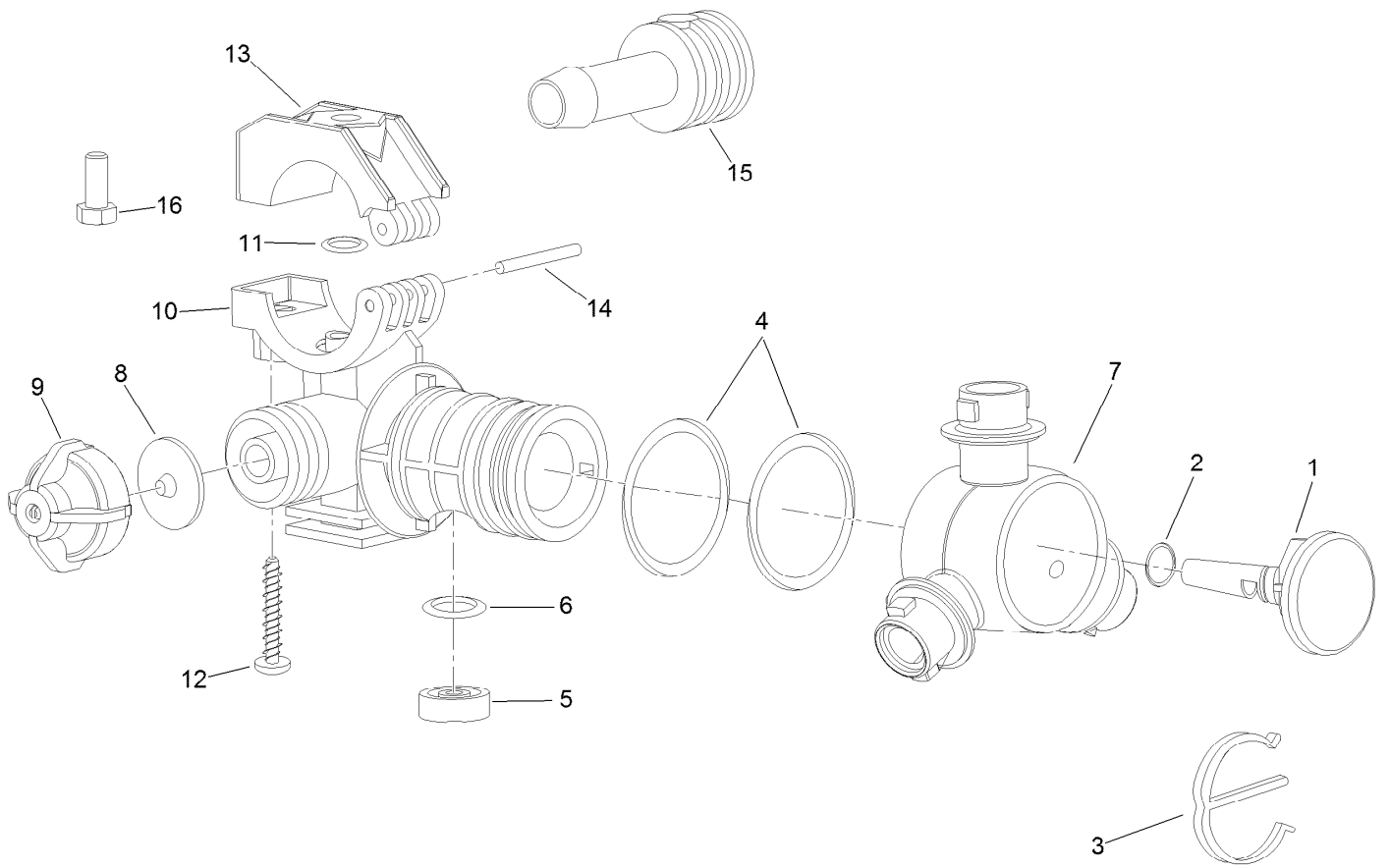
Center Boom Mount Assembly

Ref.	Part Number	Qty.	Description	Ref.	Part Number	Qty.	Description
1	144-6198-03	2	Cradle-ASM, Lower [black]	23	95-9186	3	Cap
2	161-4153	2	Cradle ASM	23:1	40998	1	Seat-Gasket
3	136-0381	1	Boom-LH	24	95-9187	6	Cap-Blank
3:2	120-0617	2	Decal-Warning, Pinch, Crush	24:1	40998	1	Seat-Gasket
5	108-3725	1	LH Single Body Turret ASM	25	108-3735	1	Hose-Boom, Center (LH)
6	108-3727	1	Double Turret Body ASM	26	108-3718	1	Hose-Boom, Center (RH)
7	108-3726	1	RH Single Body Turret ASM	27	3256-68	2	Washer-Flat
9	104-8300	7	Nut-HF, NI	28	110-5070	2	Bumper
10	108-3717	1	Hose-Boom	29	130-8244-03	1	Mount-Boom, RH
11	108-3439	1	Tee	30	130-8245-03	1	Mount-Boom, LH
12	2412-129	7	Clamp-Hose	31	110-5057	4	Capscrew-HHF
13	110-5050	4	Screw-HHF	32	108-3745	4	Nut-HHF, Whiz
14	104-8301	12	Nut-HF, NI	33	132-4323	1	Hose-Boom, Center
15	108-3457	2	Spacer	33:2	127-9807	1	Straight Fitting Kit
17	108-3489	4	Cap-Tube	33:2:1	133-0398	1	Pin-Fork
18	110-5052	6	Screw-HHF	33:3	2412-129	1	Clamp-Hose
19	120-8576	2	Cover-Slide	34	127-3923	1	Conduit-Convolutd
20	108-3743	2	Washer	36	3290-378	2	Tie-Cable
21	108-3744	2	Screw-Shoulder	37	3234-42	2	Screw-HHF
22	114-9566	2	Clamp-R	38	136-0382	1	Boom-RH



Center Boom Mount Assembly (continued)

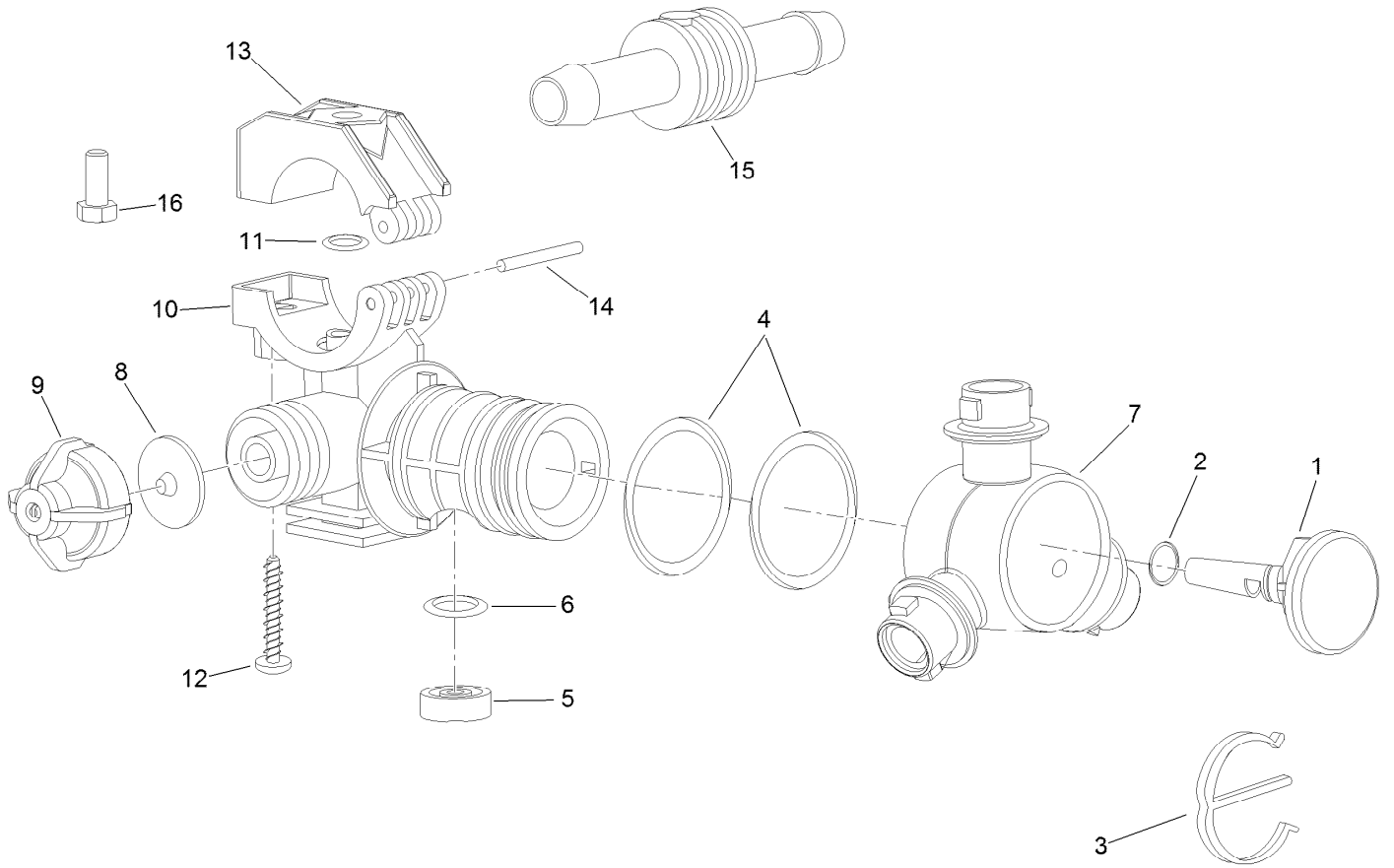
<i>Ref.</i>	<i>Part Number</i>	<i>Qty.</i>	<i>Description</i>	<i>Ref.</i>	<i>Part Number</i>	<i>Qty.</i>	<i>Description</i>
38:2	120-0617	2	Decal-Warning, Pinch, Crush	41	139-1728	4	Bolt-HH Ft
				43	3218-2	4	Nut-Hex Jam



RH Single Body Turret Assembly No. 108-3726

<i>Ref.</i>	<i>Part Number</i>	<i>Qty.</i>	<i>Description</i>
1	95-9200	1	Plug
2	95-9198	1	O-Ring
3	95-9197	1	E-Clip
4	95-9199	2	O-Ring
5	108-3264	1	Seal-Viton
6	108-3265	1	O-Ring-Viton
7	95-9196	1	Turret
8	41003	1	Diaphragm

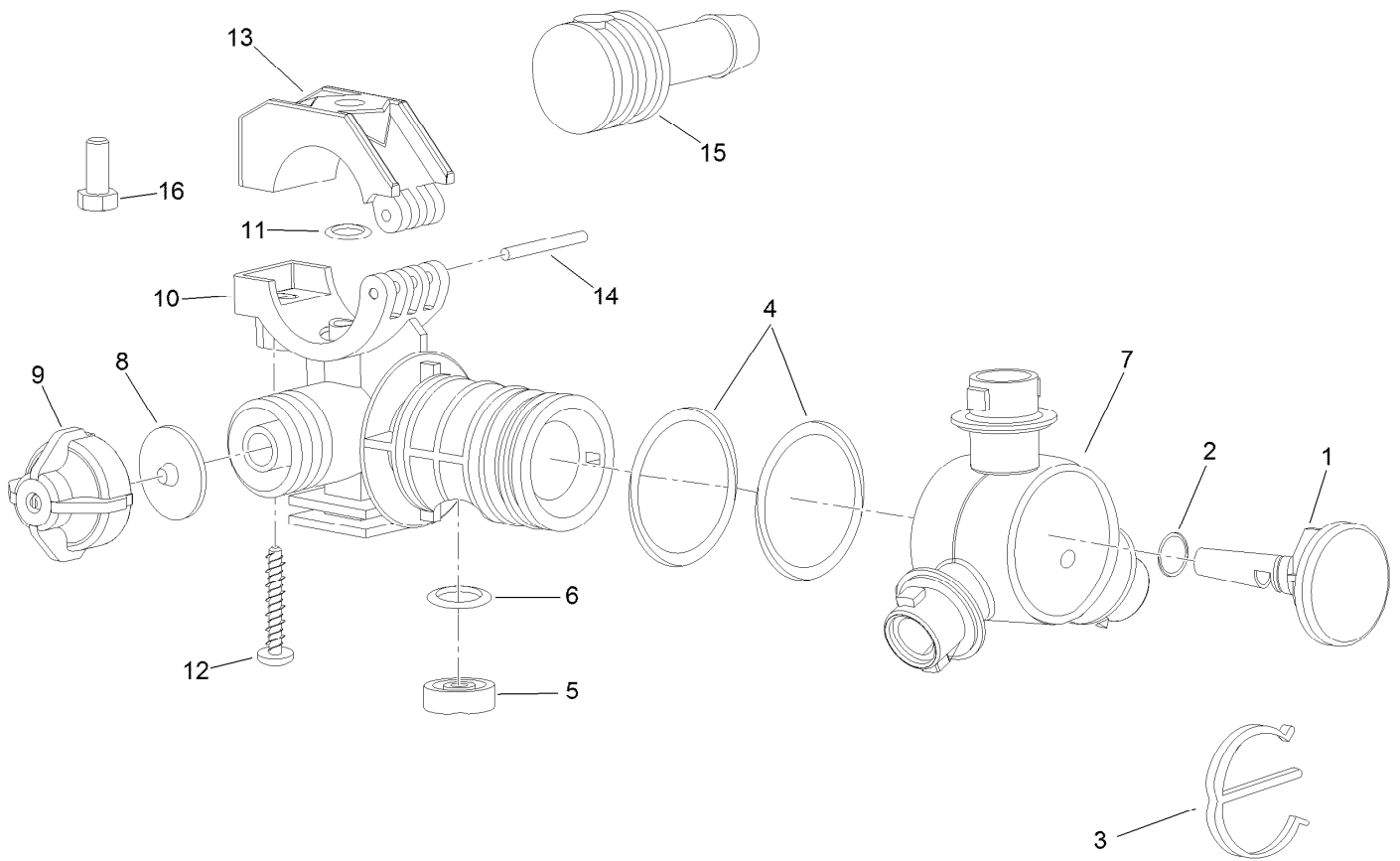
<i>Ref.</i>	<i>Part Number</i>	<i>Qty.</i>	<i>Description</i>
9	95-9193	1	Cap-Diaphragm
10	95-9192	1	Body-Split Eyelet
11	95-9191	1	O-Ring
12	99-0811	1	Screw-Clamp
13	99-0812	1	Clamp-Upper
14	99-0814	1	Pin-Pivot
15	95-9201	1	Shank-Hose
16	322-3	1	Screw-HH



Double Turret Body Assembly No. 108-3727

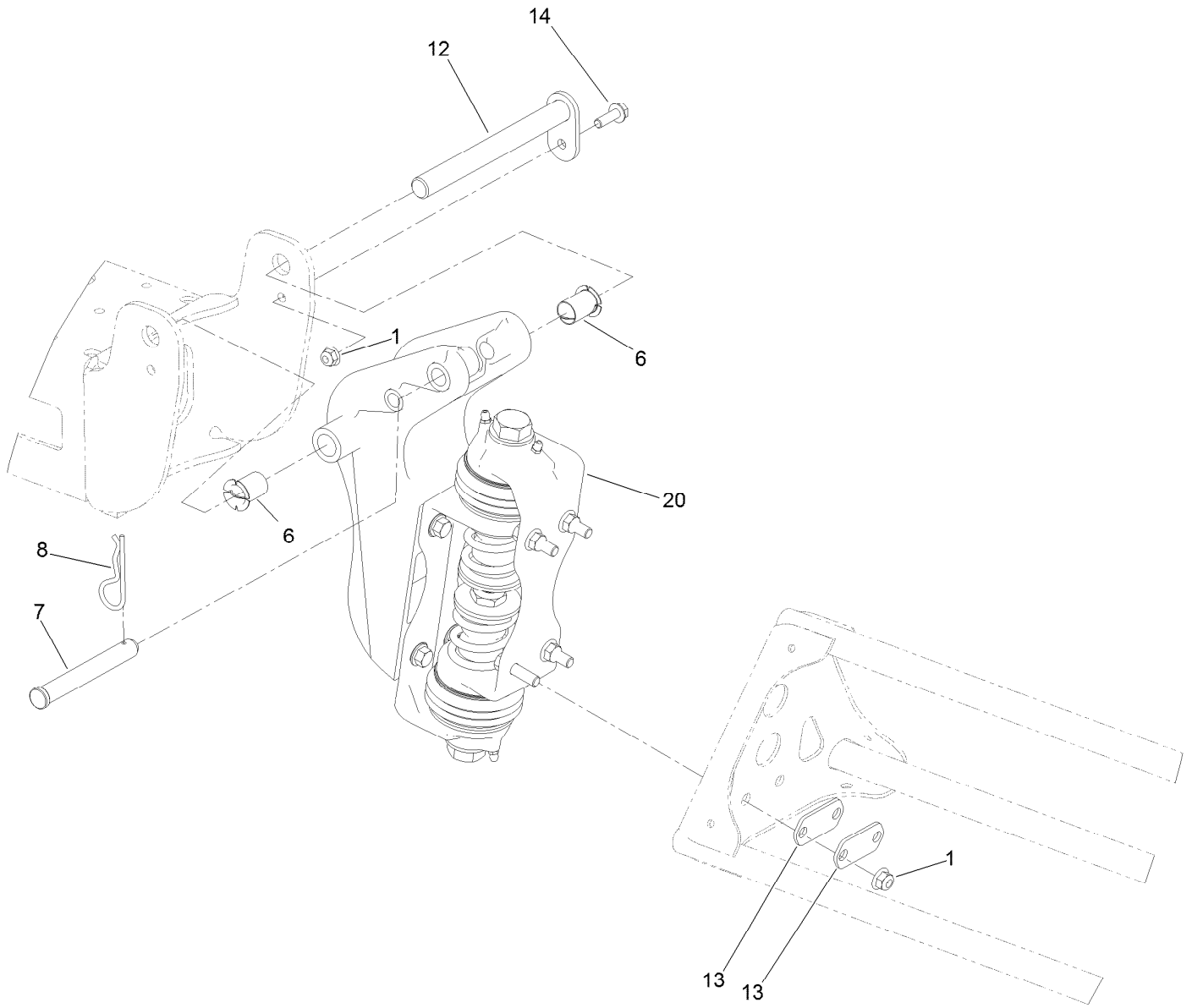
Ref.	Part Number	Qty.	Description
1	95-9200	1	Plug
2	95-9198	1	O-Ring
3	95-9197	1	E-Clip
4	95-9199	2	O-Ring
5	108-3264	1	Seal-Viton
6	108-3265	1	O-Ring-Viton
7	95-9196	1	Turret
8	41003	1	Diaphragm

Ref.	Part Number	Qty.	Description
9	95-9193	1	Cap-Diaphragm
10	95-9192	1	Body-Split Eyelet
11	95-9191	1	O-Ring
12	99-0811	1	Screw-Clamp
13	99-0812	1	Clamp-Upper
14	99-0814	1	Pin-Pivot
15	95-9202	1	Shank-Hose
16	322-3	1	Screw-HH



LH Single Turret Body Assembly No. 108-3725

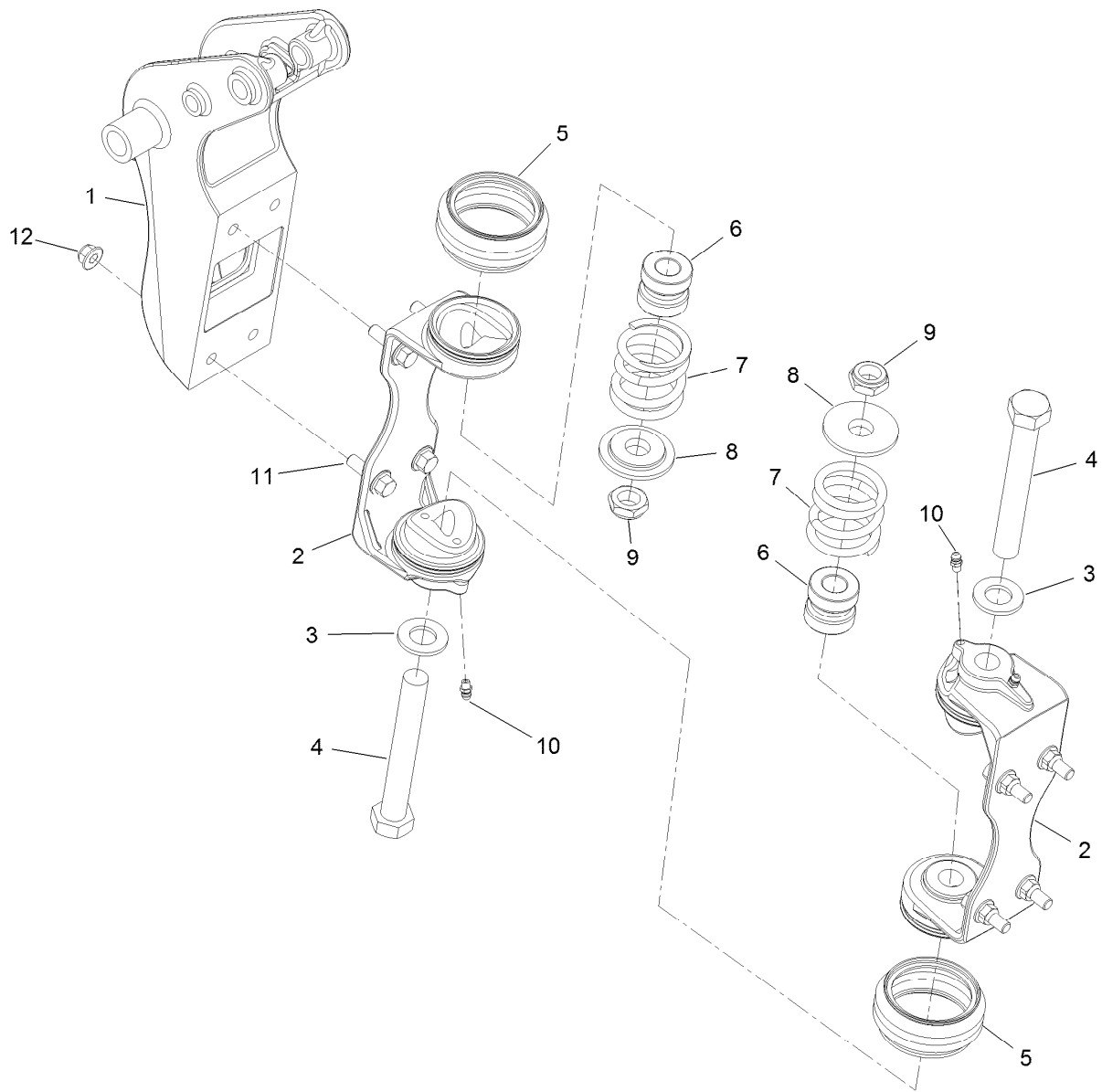
<i>Ref.</i>	<i>Part Number</i>	<i>Qty.</i>	<i>Description</i>	<i>Ref.</i>	<i>Part Number</i>	<i>Qty.</i>	<i>Description</i>
1	95-9200	1	Plug	9	95-9193	1	Cap-Diaphragm
2	95-9198	1	O-Ring	10	95-9192	1	Body-Split Eyelet
3	95-9197	1	E-Clip	11	95-9191	1	O-Ring
4	95-9199	2	O-Ring	12	99-0811	1	Screw-Clamp
5	108-3264	1	Seal-Viton	13	99-0812	1	Clamp-Upper
6	108-3265	1	O-Ring-Viton	14	99-0814	1	Pin-Pivot
7	95-9196	1	Turret	15	95-9201	1	Shank-Hose
8	41003	1	Diaphragm	16	322-3	1	Screw-HH



Boom Pivot Mount Assembly

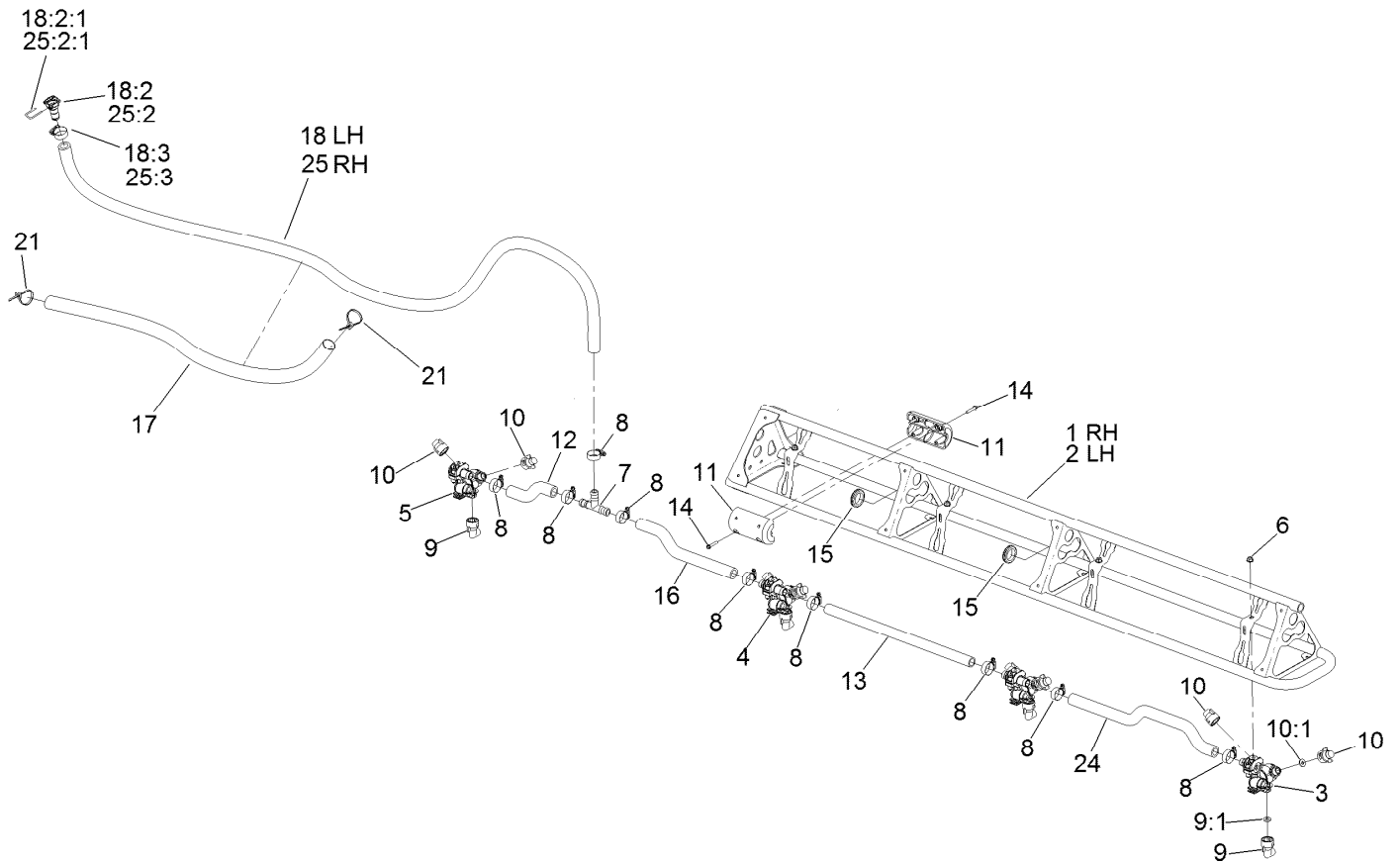
Ref.	Part Number	Qty.	Description
1	104-8300	2	Nut-HF, NI
6	100-8541	4	Bushing-A Arm
7	108-3436	2	Pin-Clevis
8	3290-468	2	Pin-Cotter
12	108-3419	2	Pivot Pin ASM
13	108-3605	8	Plate-Backing
14	108-3748	2	Screw-HHF
20		2	Pivot Bracket Assembly ●

● Not serviced separately



Boom Pivot Assembly

<i>Ref.</i>	<i>Part Number</i>	<i>Qty.</i>	<i>Description</i>
1	137-1673	1	Bracket-Pivot
2	137-1674	2	Hinge
3	110-5054	2	Washer-Flat
4	108-3738	2	Screw-HH
5	108-3459	2	Boot-Hinge
6	120-8541	2	Dampener-Hinge
7	108-3440	2	Spring-Breakaway, Boom
8	108-3444	2	Retainer-Spring
9	3296-15	2	Nut-Lock, NI
10	302-5	4	Fitting-Grease
11	110-5050	8	Screw-HHF
12	104-8301	8	Nut-HF, NI



Left and Right Hand Boom Assembly

Ref.	Part Number	Qty.	Description	Ref.	Part Number	Qty.	Description
1	108-3524-03	1	Boom-RH	14	119-9369	8	Screw-HHF
2	108-3525-03	1	Boom-LH	15	240-3	4	Grommet-Rubber
3	108-3725	2	LH Single Body Turret ASM	16	136-0436	2	Hose-Formed
4	108-3727	4	Double Turret Body ASM	17	107-8650	2	Conduit-Convolutd
5	108-3726	2	RH Single Body Turret ASM	18	132-4322	1	Hose-Boom
6	104-8300	8	Nut-HF, NI	18:2	127-9807	1	Straight Fitting Kit
7	108-3439	2	Tee	18:2:1	133-0398	1	Pin-Fork
8	2412-129	18	Clamp-Hose	18:3	2412-129	1	Clamp-Hose
9	95-9186	8	Cap	21	3290-378	4	Tie-Cable
9:1	40998	1	Seat-Gasket	24	108-3735	2	Hose-Boom, Center (LH)
10	95-9187	16	Cap-Blank	25	132-4324	1	Hose-Boom
10:1	40998	1	Seat-Gasket	25:2	127-9807	1	Straight Fitting Kit
11	119-9368	4	Block Slide	25:2:1	133-0398	1	Pin-Fork
12	136-0437	2	Hose-Formed	25:3	2412-129	1	Clamp-Hose
13	40506	2	Hose-Jumper				

Attachments and Accessories

For 41188 — Multi Pro 1750 Turf Sprayer

Product Name	Model/Part
Premium ATF (Drum).....	108-1185
Premium ATF (Pail)	108-1186
Premium All Purpose Grease (Tube)	108-1190
License Plate Kit.....	120-8506
Covered Boom Spring Upgrade Kit.....	120-8508
Premium Engine Oil 10w30 (55 Gallon Drum)	121-6392
Premium Engine Oil 10w30 (5 Gallon Pail)	121-6393
Lance Suction Assembly	127-9826
Sonic Boom Finish Kit.....	130-8227
Finishing Kit, Foam Marker for Multi Pro 1750 Turf Sprayer	136-0457
Pump Head Kit.....	145-3399
White Universal Sunshade	30669
Red Universal Sunshade	30671
Rear Work Light Kit.....	41010
Single Nozzle Kit.....	41023
Hand Spray Wand Kit	41118
EU Compliance Kit.....	41155
Pro Foam Concentrate (4 x 1 Gallon)	41157
Chemical Pre-Mix Kit	41158
Electric Hose Reel Kit	41159
Nozzalert - Mp Nozzle Flow System	41166
CE Kit	41202
Tank Clean Rinse Kit	41208
Ultra Sonic Boom Leveling Kit	41219
Foam Marker Kit	41249
Drift Reduction Boom Shroud Kit.....	41602
Pro-Foam.....	41607
TNL Reference Antenna Kit, MR-2	41635
Geolink Global	41713
Geolink Finish Kit MP 1750.....	41742
Spark Arrestor Screen	94-8157

Notes:

Notes:



Count on it.