



Count on it.

Parts Catalog

Multi Pro® 1750

Turf Sprayer

Model No. 41196—Serial No. 40000000 and Up



Ordering Replacement Parts

To order replacement parts, please supply the part number, the quantity, and the description of each part desired.

Understanding Reference Numbers

Each identified part in an illustration has a reference number. The reference number for a part also appears in the parts list, along with other information about the part.

This catalog uses two special reference number formats, one to indicate parts in a service assembly and another to indicate the quantity of a given part in an illustration.

Service Assembly Reference Numbers

Parts in service assemblies have reference numbers in the form a:b. The a represents the reference number of the entire service assembly and the b represents a sequential number unique to each part within the service assembly.

For example, a wheel assembly might be identified by reference number 6, the tire by 6:1, the valve by 6:2, and the wheel by 6:3. When you order the assembly identified by reference number 6, you receive all parts identified by reference numbers 6:1, 6:2, and 6:3. However, you may also order any part individually. Reference numbers of this type appear in illustration and in parts lists.

Reference Numbers Indicating Quantity

In an illustration, if a reference number indicates more than one part, the reference number has the form nX y. The n represents the quantity of the part, the X is the multiplication symbol, and the y represents the reference number.

For example, in an illustration, the reference number 2X 37 means that two of the parts identified by reference number 37 are indicated.

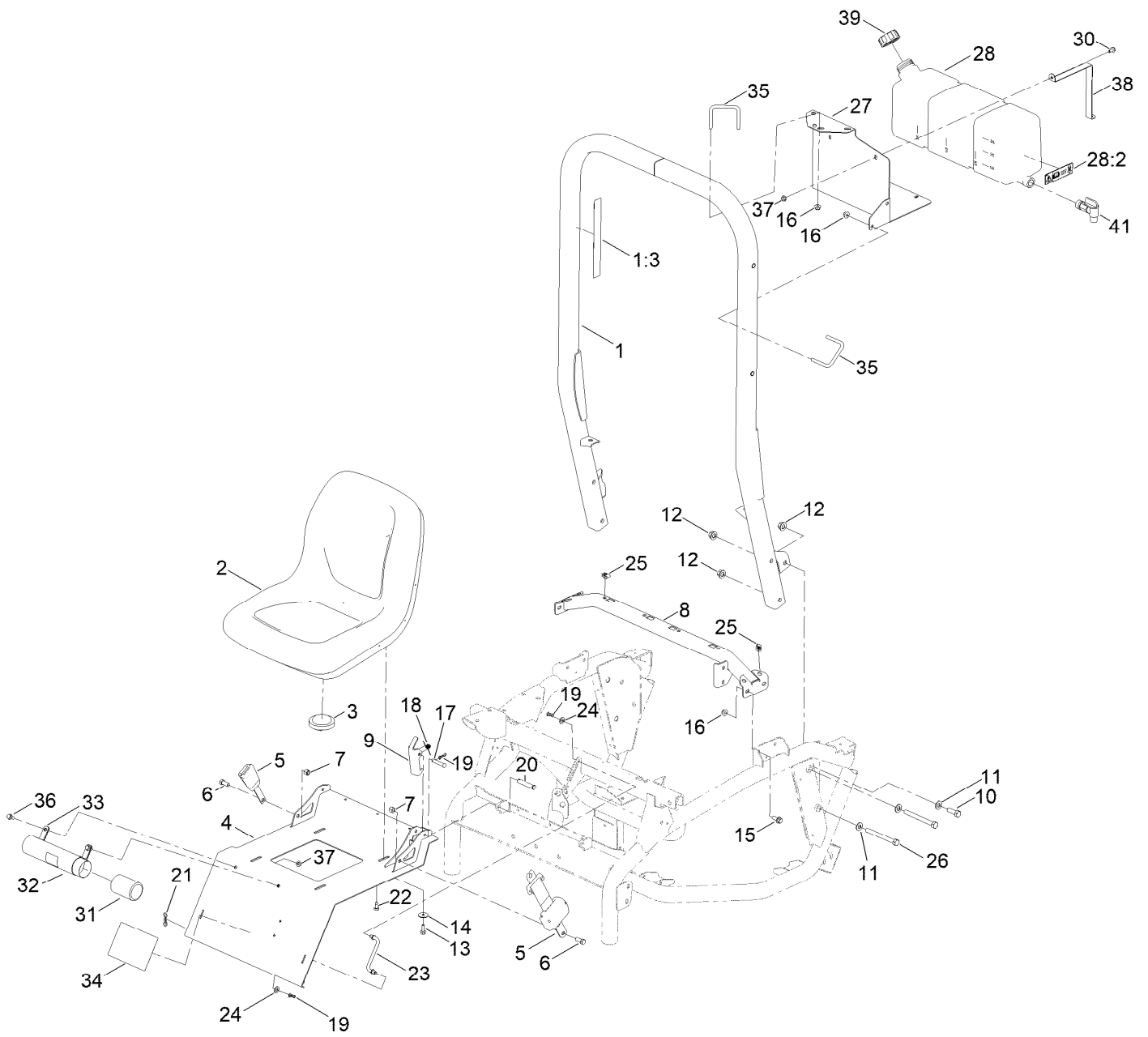
Contents

Roll-Over Protection System and Seat Assembly	6
Frame Assembly	8
Rear Drive Assembly	10
Case Assembly Transaxle Assembly No. 120-7610	12
Center Plate Assembly Transaxle Assembly No. 120-7610	13
Main Shaft Assembly Transaxle Assembly No. 120-7610	14
Reduction Shaft Assembly Transaxle Assembly No. 120-7610	15
Reverse Shaft Assembly Transaxle Assembly No. 120-7610	16
Main Shift Assembly Transaxle Assembly No. 120-7610	17
Counter Shaft Assembly Transaxle Assembly No. 120-7610	18
Differential Gear Assembly Transaxle Assembly No. 120-7610	19
Differential Carrier Assembly Transaxle Assembly No. 120-7610	20
Differential Lock Assembly Transaxle Assembly No. 120-7610	21
Axle Shaft Assembly Transaxle Assembly No. 120-7610	22
Brake Caliper Assembly No. 127-7424	23
Brake Hydraulic Assembly	24
Master Cylinder Assembly No. 104-6782	25
Front Suspension Assembly	26
Hydraulic Cylinder Assembly No. 125-0720	29
Pedal Assembly	30
Parking Brake Lever and Cable Assembly	32
Control Console Mount Assembly	33
Gear Shift and Drift Lock Control Assembly	34
Shift Assembly No. 106-7887	35
Control Console Assembly	36
Hood, Dash and Headlight Assembly	38
Seat Base and Front Fender Assembly	40
Hydraulic Steering Assembly	42
Hydraulic Pump Assembly No. 121-6545	44
Steering Valve Assembly No. 138-6100	45
Boom Lift Hydraulic Assembly	46
Hydraulic Cylinder Assembly No. 117-0701	47
On-Off Boom Lift Valve Assembly No. 136-2400	48
Engine Mounting Assembly	50
Pump Assembly No. 145-3381	52
Exhaust Assembly	53
Fuel Tank, Filter and Line Assembly	54
Driveshaft Connection Assembly	56
Driveshaft Assembly No. 119-6040	58
Clutch and Bell Housing Assembly	59
Spray Tank Assembly	60
Tank Assembly No. 121-6491	61
Spray Tank Lid Assembly No. 138-6283	62
Filter Assembly No. 130-7096	63
Spray Tank Valve Assembly	64
Section Manifold Assembly	65
Bypass Valve Assembly No. 127-9805	66
3-Way Valve Assembly No. 147-3183	67
Agitation Manifold Assembly	68
M100 Manifold Assembly No. 161-4110	70
3-Way Flange Manifold Assembly No. 147-3192	71
Pressure Filter Assembly No. 131-3791	72
QD Manifold Assembly No. 161-4111	73
Hose Assembly	74

Contents (continued)

Main Wiring Harness and Battery Assembly	76
Center Boom Mount Assembly.....	78
RH Single Body Turret Assembly No. 108-3726	80
Double Turret Body Assembly No. 108-3727	82
LH Single Turret Body Assembly No. 108-3725	83
Boom Pivot Assembly	84
Boom Pivot Assembly	85
Left and Right Hand Boom Assembly	86
Attachments and Accessories	87

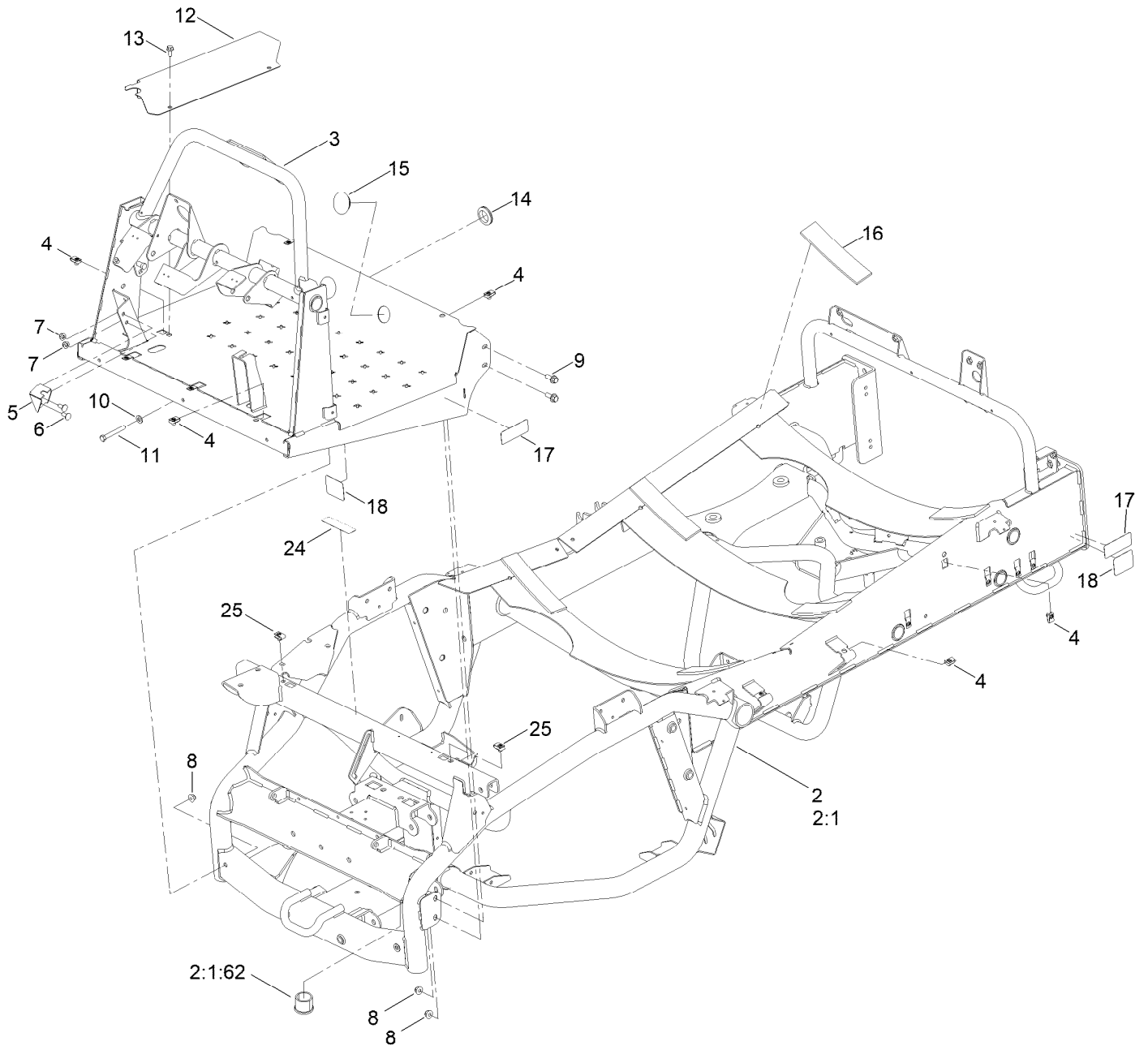
Roll-Over Protection System and Seat Assembly



Roll-Over Protection System and Seat Assembly (continued)

<i>Ref.</i>	<i>Part Number</i>	<i>Qty.</i>	<i>Description</i>	<i>Ref.</i>	<i>Part Number</i>	<i>Qty.</i>	<i>Description</i>
1	127-3918	1	ROPS ASM	20	100-6541	2	Pin-Clevis
1:3	127-3939	1	Decal-ROPS	21	119-1416	2	Pin-Cotter, Locking
2	112-2923	1	Seat ASM	22	87-8460	3	Bumper-Rubber
3	100-3524	1	Switch-Seat	23	125-0909	1	Rod-Prop, Seat
4	125-0872-03	1	Plate-Seat	24	3256-24	2	Washer-Plain
5	110-0413	1	Seatbelt-Retractable	25	94-2413	3	Nut-U
6	3212-4	2	Screw-HH	26	325-19	4	Screw-HH
7	3296-7	2	Nut-Lock	27	131-5797-03	1	Mount-Tank, Eye Wash
8	163-2948-03	1	Seat Cross-Member, ASM [black]	28	132-7745	1	Fresh Water Tank ASM
9	125-0916	1	Latch-Seat	28:2	120-0616	3	Decal-Water, Fresh
10	325-6	2	Screw-HH	30	3234-7	4	Screw-HHF
11	3256-26	6	Washer-Flat	31	104-7048	1	Cap-Housing
12	99-5107	6	Nut-HF Nylock	32	104-7050	1	Tube-Manual
13	33104-025	4	Screw-HHF	33	2412-133	2	Clamp-R
14	3256-57	4	Washer-Flat	34	133-0382	1	Decal-Service/Maintenance
15	3234-42	4	Screw-HHF	35	119-6727	2	U-Bolt
16	104-8301	8	Nut-HF, NI	36	3234-47	2	Screw-HHF
17	283-82	1	Pin-Clevis	37	104-8300	6	Nut-HF, NI
18	104-4821	1	Spring-Torsion	38	132-7628-03	2	Band-Tank, Eye Wash
19	119-1415	3	Pin-Cotter, Locking	39	137-4291	1	Cap-Tank, Fresh Water
				41	100-7011	1	Spigot-90 DEG

Frame Assembly



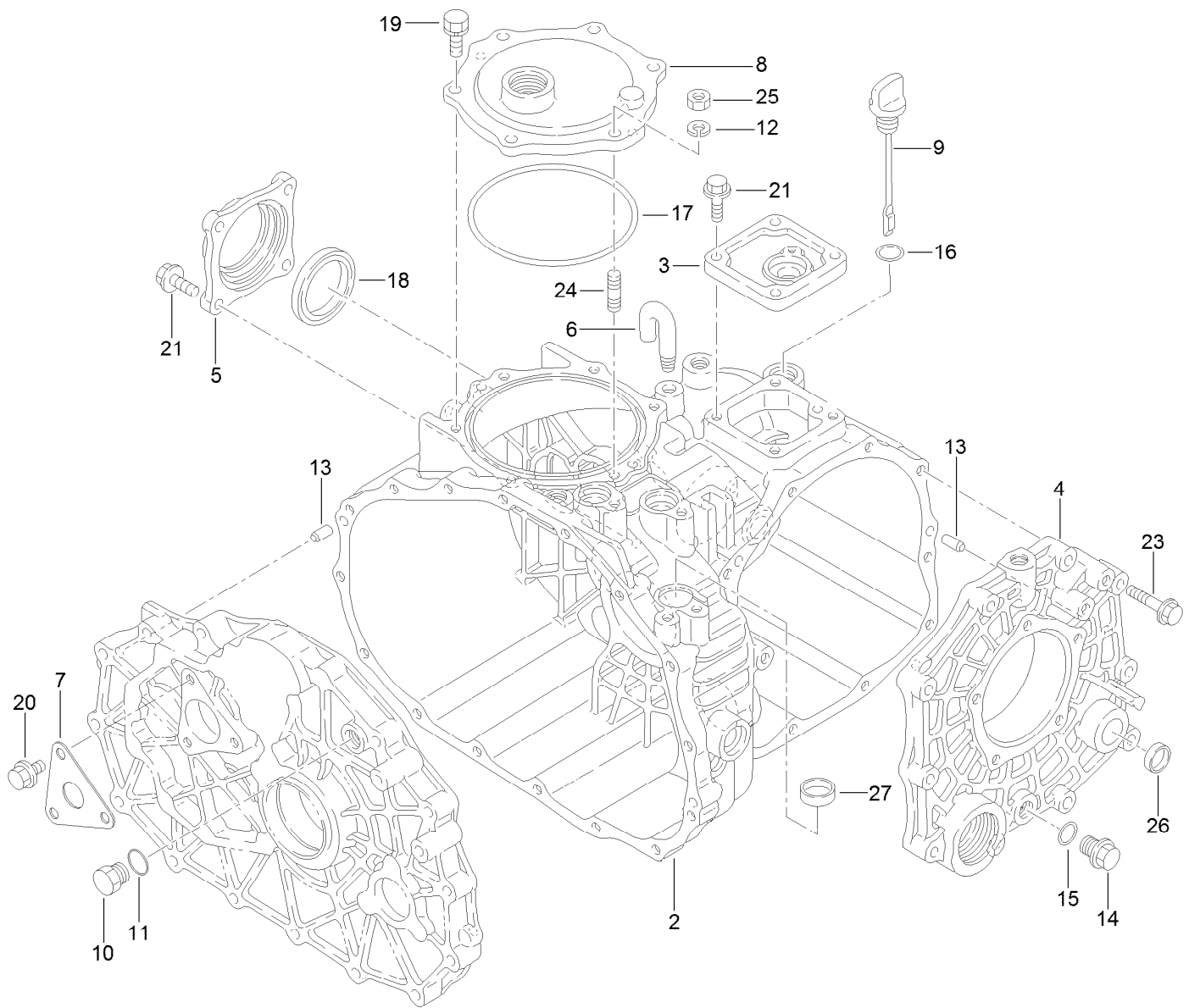
Frame Assembly (continued)

<i>Ref.</i>	<i>Part Number</i>	<i>Qty.</i>	<i>Description</i>	<i>Ref.</i>	<i>Part Number</i>	<i>Qty.</i>	<i>Description</i>
2	121-6501-03	1	Frame ASM	11	323-13	2	Screw-HH
2:1		1	Frame ●	12	125-0871-03	1	Cover-Hose
2:1:62	104-0015	2	Bushing-Flange	13	3234-47	2	Screw-HHF
3	163-2919-03	1	Platform ASM [black]	14	240-3	2	Grommet-Rubber
4	94-2413	19	Nut-U	15	121-3397	2	Plug-Grommet
5	106-2421	1	Bracket-Mount, Cable	16	125-8094	6	Pad-Tank
6	3230-23	2	Bolt-CARR	17	106-9206	4	Decal-Torque, Wheel
7	104-8300	2	Nut-HF, NI	18	125-6694	3	Decal-Tie Down
8	104-8301	6	Nut-HF, NI	24	133-8062	1	Decal-Spark Arrestor
9	3234-42	4	Screw-HHF	25	115-7721	2	Nut-Clip, U
10	3256-24	2	Washer-Plain				

● Not serviced separately

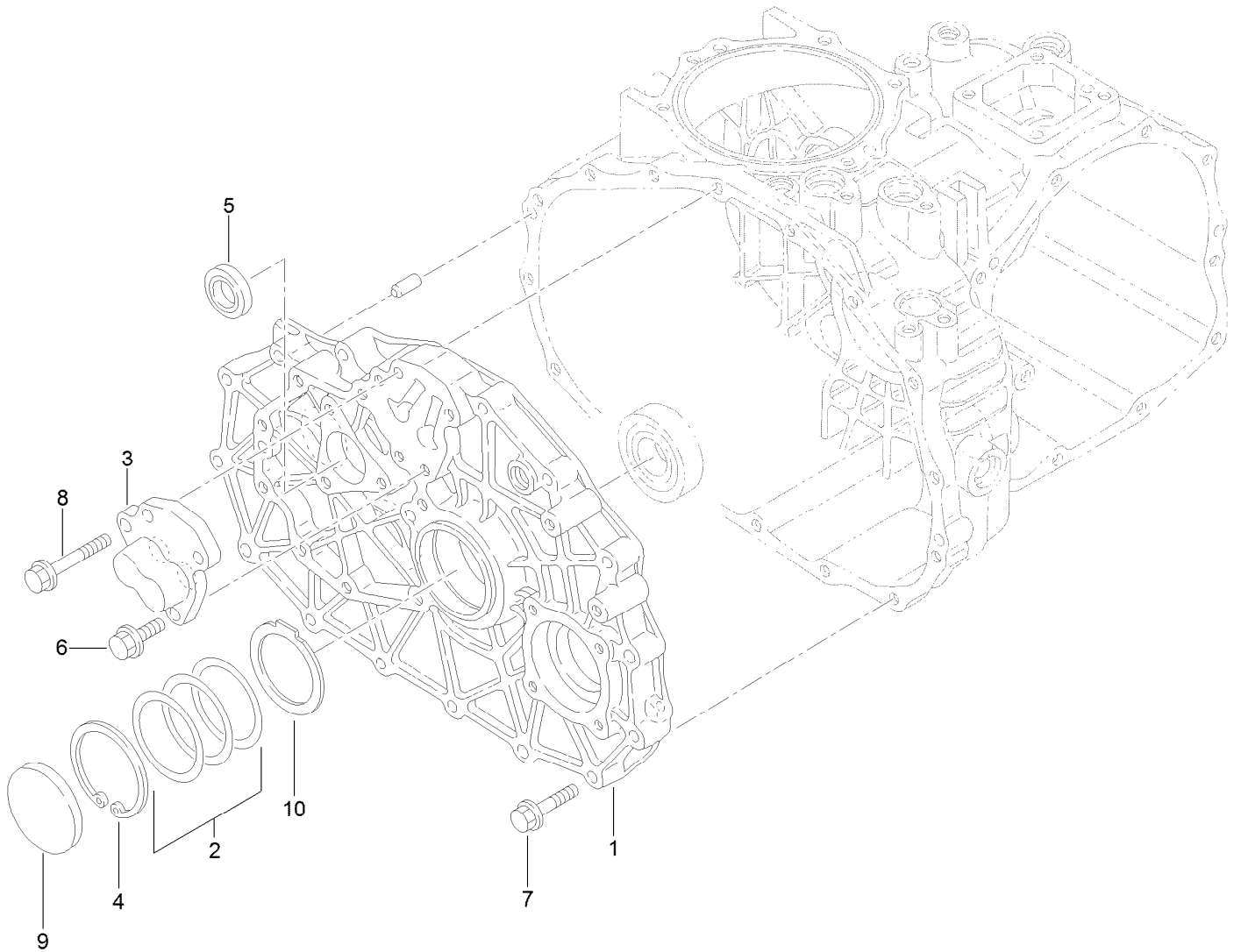
Rear Drive Assembly (continued)

<i>Ref.</i>	<i>Part Number</i>	<i>Qty.</i>	<i>Description</i>	<i>Ref.</i>	<i>Part Number</i>	<i>Qty.</i>	<i>Description</i>
1	120-7610	1	Transaxle ASM	31	107-8749-0P	1	Bracket-Cable, Welded
2	138-5600	2	Driveshaft ASM	32	87-7960	1	Lever-Shift
2:1	302-5	2	Fitting-Grease	33	87-7970	1	Arm-Shift
4	131-4311	2	Axle-Housing	34	87-8250	1	Plate-Arm, Shift
5	121-9751	2	Hub-Bearing, Wheel	35	87-6910	1	Spring-Compression
5:2	121-9752	5	Stud-Wheel	36	66-9302	1	Screw-HHF Lock
7	115-2164	2	Nut-Spindle	37	3256-4	1	Washer-Flat
9	131-4362	1	Bracket-Cable, LH	38	3290-357	1	Nut-HSF
10	131-4346	1	Bracket-Cable, RH	39	103-9511	2	Nut-Flg
11	114-8351	2	Rotor-Brake	40	98-7977	5	Screw-HHF
12	114-8365	1	Caliper-Mechanical, LH	41	33104-025	4	Screw-HHF
12:1	115-7847	1	Parking Brake Pad Kit	42	92-3735	1	Seal-Sensor, Oil
13	114-8366	1	Caliper-Mechanical, RH	43	120-4800	1	Sensor-Geartooth
13:1	115-7847	1	Parking Brake Pad Kit	44	33103-012	1	Screw-HHF
14	127-7424	2	Brake Caliper ASM	46	33116-090	2	Screw-HH
15	119-9509	2	Screw-Bleed	47	237-30	1	O-Ring
16	144-6160	2	Tire/Wheel ASM	48	87-6710	1	Switch-Transmission
16:1	144-6170	1	Wheel - 12 X 10.50	49	104-8301	12	Nut-HF, NI
16:2	144-6171	1	Tire - 24/13-12,6 Ply	50	327-29	4	Screw-HH
16:3	232-27	1	Stem-Valve	51	127-3958	4	Nut-Lock, NI
17	139-2564	10	Nut-Lug	52	3253-23	4	Washer-Lock
18	283-85	2	Pin-Clevis	53	327-5	4	Screw-HH
20	3234-1	4	Screw-HHF	54	125-7959-03	1	Bracket-Fender
21	3234-24	8	Screw-HHF	55	125-7960-03	1	Bracket-Fender
22	323-6	6	Screw-HH	56	3274-32	2	Screw-HSBH
23	80-6990	4	Washer-Hardened	57	3256-27	4	Washer-Flat
24	98-2939	4	Screw-Cap	59	3256-71	2	Washer-Flat
25	112-6805	1	Fender-RH	60	125-8106	3	Shim
26	112-6806	1	Fender-LH	61	125-8107	3	Shim
27	3256-82	6	Washer-Flat	63	3234-47	4	Screw-HHF
28	104-8300	2	Nut-HF, NI	64	131-4257-0P	2	Support-Park Brake
29	322-5	6	Screw-HH	65	110-9380	2	Screw-HWH
30	87-4470	1	Bracket-Lock, Differential	66	119-1415	2	Pin-Cotter, Locking



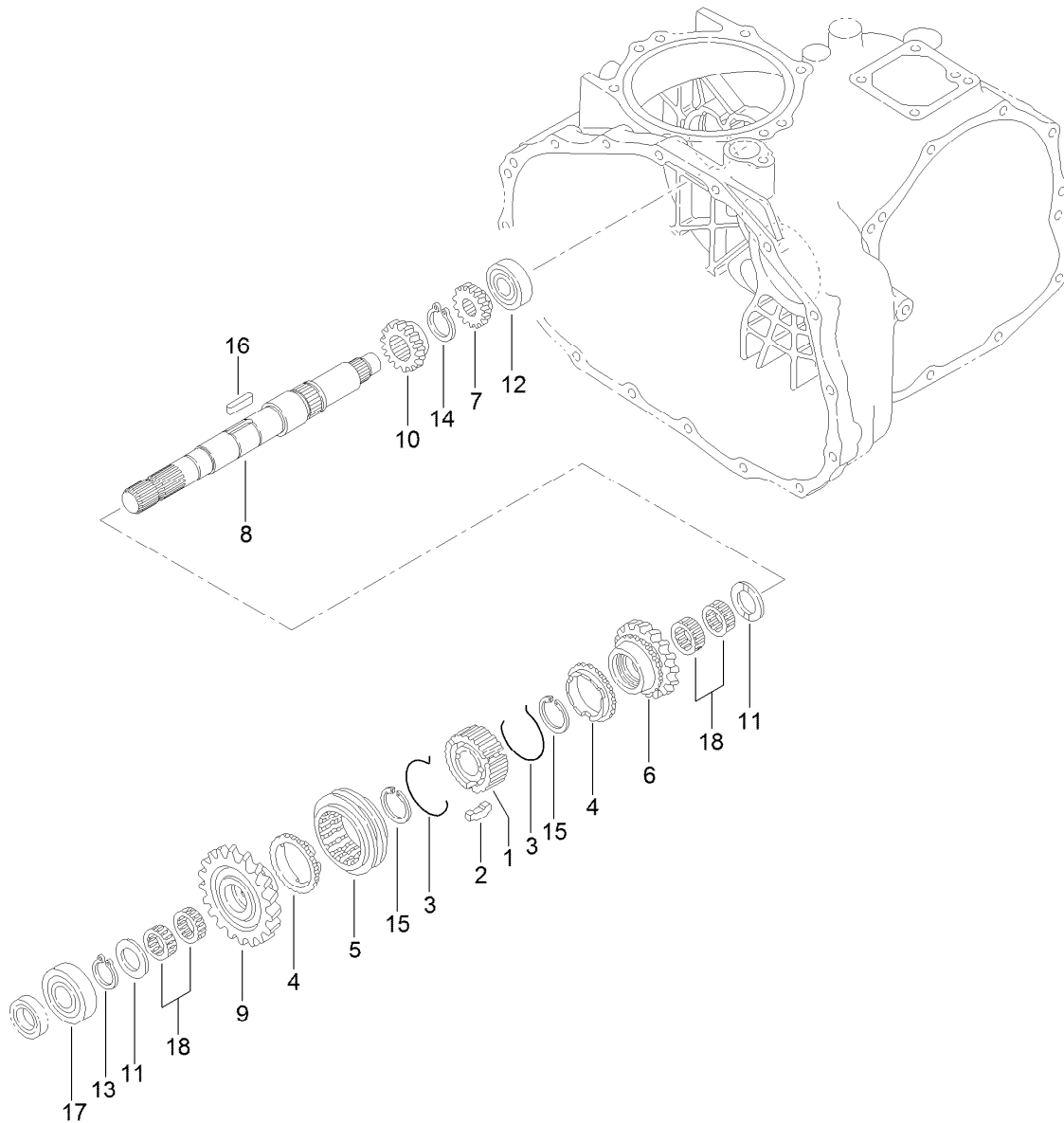
Case Assembly Transaxle Assembly No. 120-7610

<i>Ref.</i>	<i>Part Number</i>	<i>Qty.</i>	<i>Description</i>	<i>Ref.</i>	<i>Part Number</i>	<i>Qty.</i>	<i>Description</i>
2	92-0651	1	Case-Transmission	15	92-0787	1	O-Ring
3	92-3736	1	Cover ASM	16	92-0788	1	O-Ring
4	92-0653	1	Cover-Side	17	92-0790	1	O-Ring
5	92-0655	1	Cover-Seal, Axle	18	92-0793	1	Seal-Oil
6	127-3925	1	Breather	19	92-0796	5	Bolt
7	100-8594	1	Cover-Shaft, Input	20	100-6928	3	Bolt
8	100-8595	1	Cover-PTO	21	33114-025	8	Screw-HH
9	92-0662	1	Cap-Oil	23	33114-040	10	Screw-HH
10	100-6924	1	Plug	24	92-0804	1	Stud
11	100-6925	1	Packing	25	48-7930	1	Nut
12	92-0762	1	Washer-Spring	26	100-6926	1	Cap-Sealing
13	92-0765	4	Pin-Parallel	27	100-6927	1	Cap-Sealing
14	92-0773	1	Plug-Drain				



Center Plate Assembly Transaxle Assembly No. 120-7610

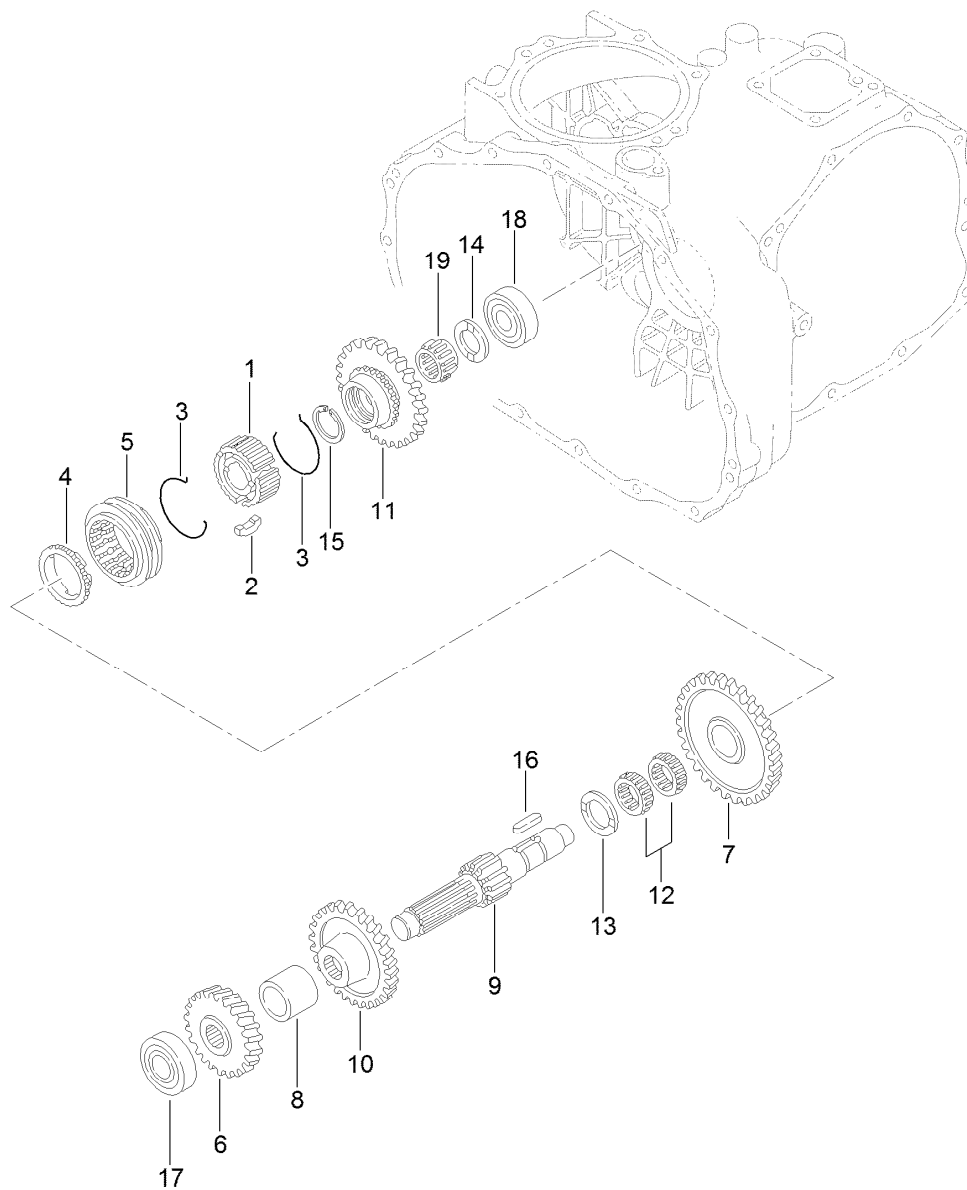
<i>Ref.</i>	<i>Part Number</i>	<i>Qty.</i>	<i>Description</i>
1	100-4461	1	Plate-Center
2	100-4460	1	Shim-Set
3	92-0706	1	Shaft-Fork
4	92-0759	1	Ring-Snap
5	92-0791	1	Seal-Oil
6	33114-025	3	Screw-HH
7	33114-040	15	Screw-HH
8	48-7560	1	Bolt-HH
9	92-0807	1	Cap-Sealing
10	100-4465	1	Shim (W/Tab)



Main Shaft Assembly Transaxle Assembly No. 120-7610

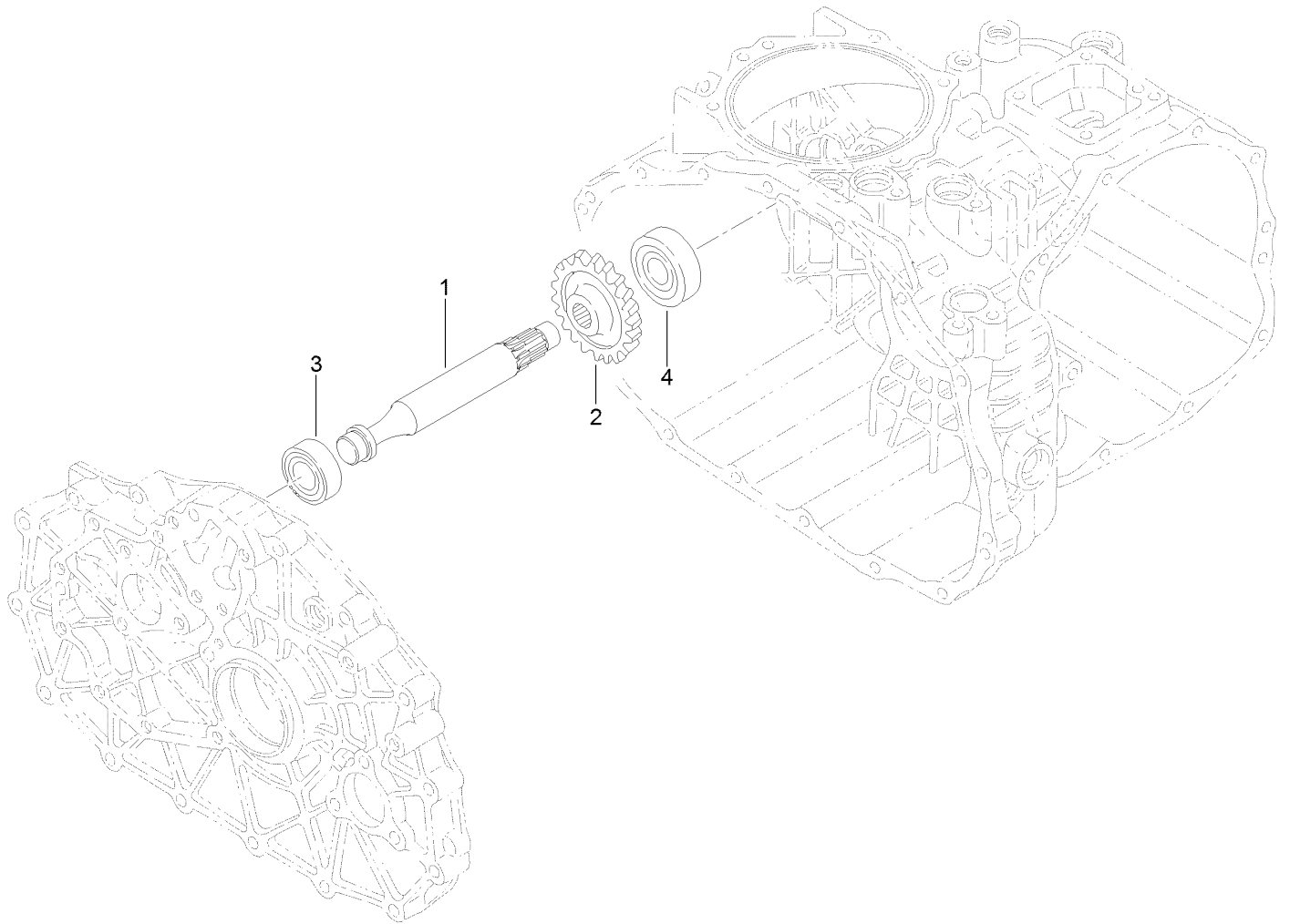
<i>Ref.</i>	<i>Part Number</i>	<i>Qty.</i>	<i>Description</i>
1	92-0664	1	Hub-Synchro
2	92-0665	3	Key-Synchro
3	92-0666	2	Spring-Synchro
4	92-0667	2	Ring-Synchro
5	92-0668	1	Shifter-Synchro
6	127-3926	1	Gear-Main, 23T
7	92-0673	1	Gear-Main, 14 Tooth
8	100-8596	1	Shaft-Main
9	108-3694	1	Gear-Main, 36T

<i>Ref.</i>	<i>Part Number</i>	<i>Qty.</i>	<i>Description</i>
10	100-8598	1	Gear-Main, 20 Tooth
11	92-0740	2	Washer-Thrust
12	92-0650	1	Bearing
13	92-0753	1	Ring-Snap
14	92-0754	1	Ring-Snap
15	92-0763	2	Ring-Snap
16	92-0772	1	Key
17	251-8	1	Bearing-Ball
18	92-0781	4	Bearing-Needle



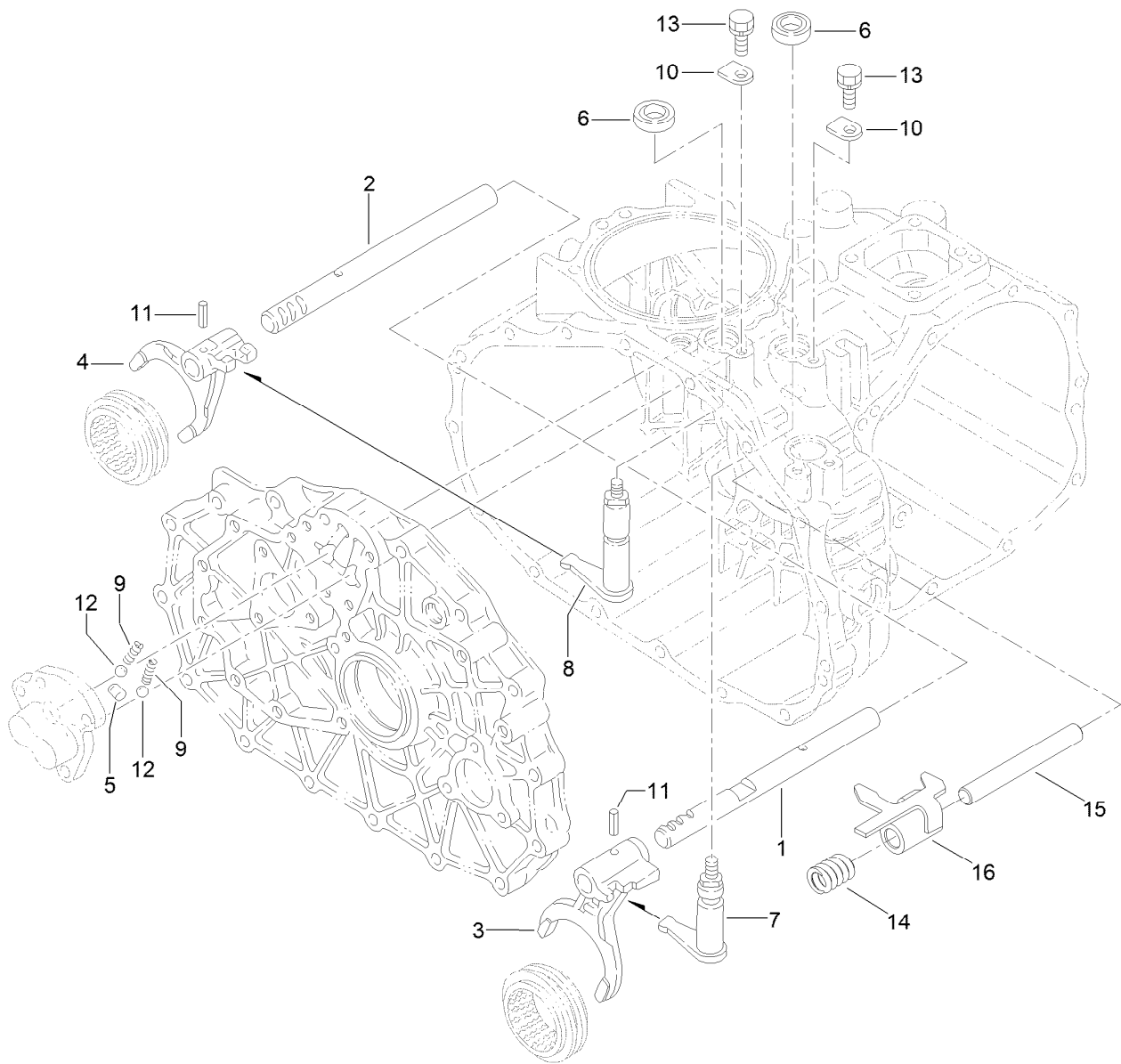
Reduction Shaft Assembly Transaxle Assembly No. 120-7610

<i>Ref.</i>	<i>Part Number</i>	<i>Qty.</i>	<i>Description</i>	<i>Ref.</i>	<i>Part Number</i>	<i>Qty.</i>	<i>Description</i>
1	92-0664	1	Hub-Synchro	11	92-0819	1	Gear-Reduction, 40 Tooth
2	92-0665	3	Key-Synchro	12	92-0681	2	Bearing-Needle
3	92-0666	2	Spring-Synchro	13	92-0682	1	Washer-Thrust
4	92-0667	1	Ring-Synchro	14	92-0740	1	Washer-Thrust
5	92-0668	1	Shifter-Synchro	15	92-0763	1	Ring-Snap
6	100-8599	1	Gear-Red, 25 Tooth	16	92-0772	1	Key
7	108-3697	1	Gear-Reduction, 47T	17	105-7985	1	Bearing
8	100-8601	1	Collar	18	92-0778	1	Bearing
9	127-3927	1	Shaft-Reduction	19	92-0782	1	Bearing-Needle
10	127-3928	1	Gear-Reduction, 31T				



Reverse Shaft Assembly Transaxle Assembly No. 120-7610

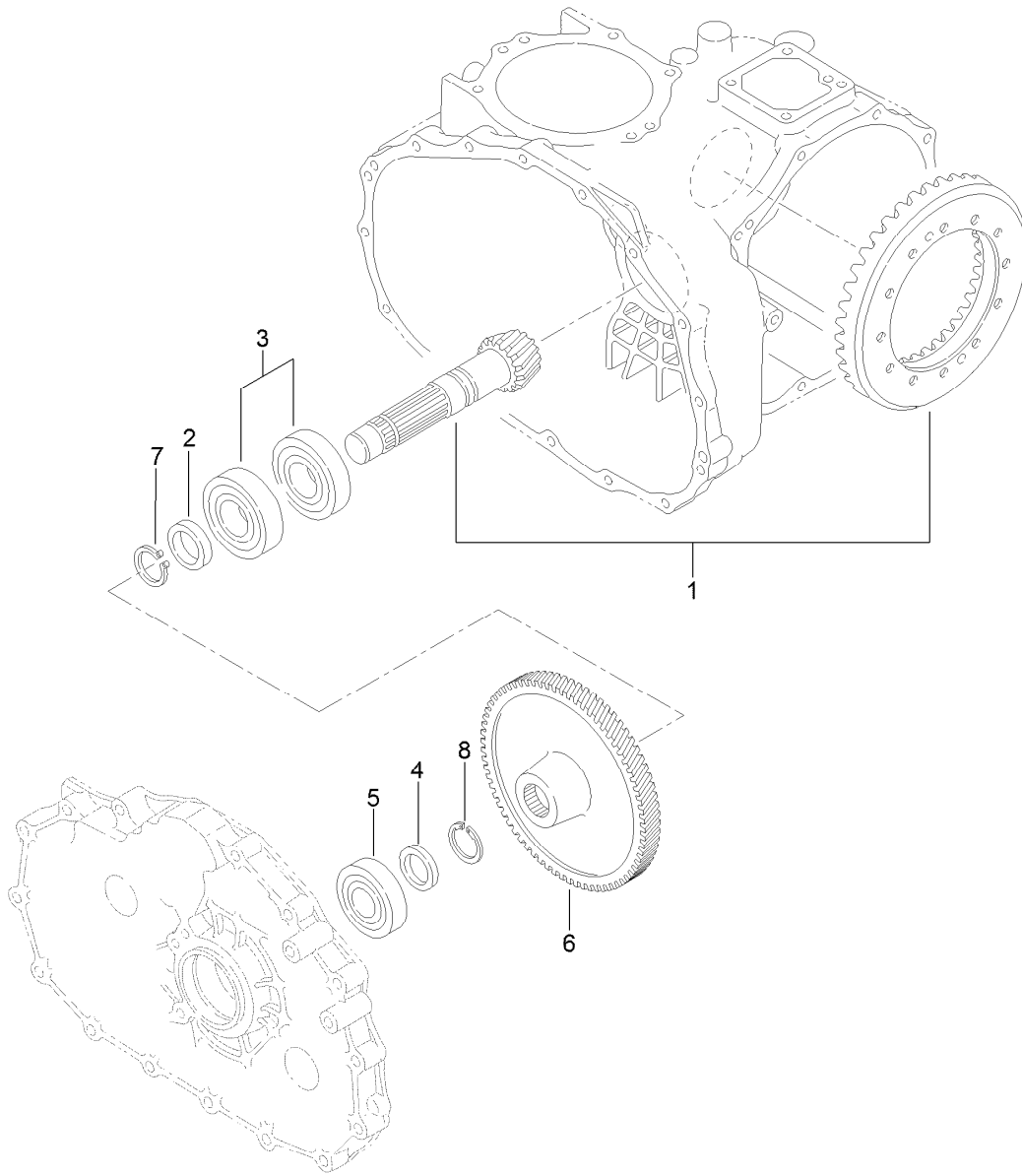
<i>Ref.</i>	<i>Part Number</i>	<i>Qty.</i>	<i>Description</i>
1	100-8602	1	Shaft-Idler, Reverse
2	92-0684	1	Gear-Reverse, 33 Tooth
3	251-346	1	Bearing-Ball
4	92-0778	1	Bearing



Main Shift Assembly Transaxle Assembly No. 120-7610

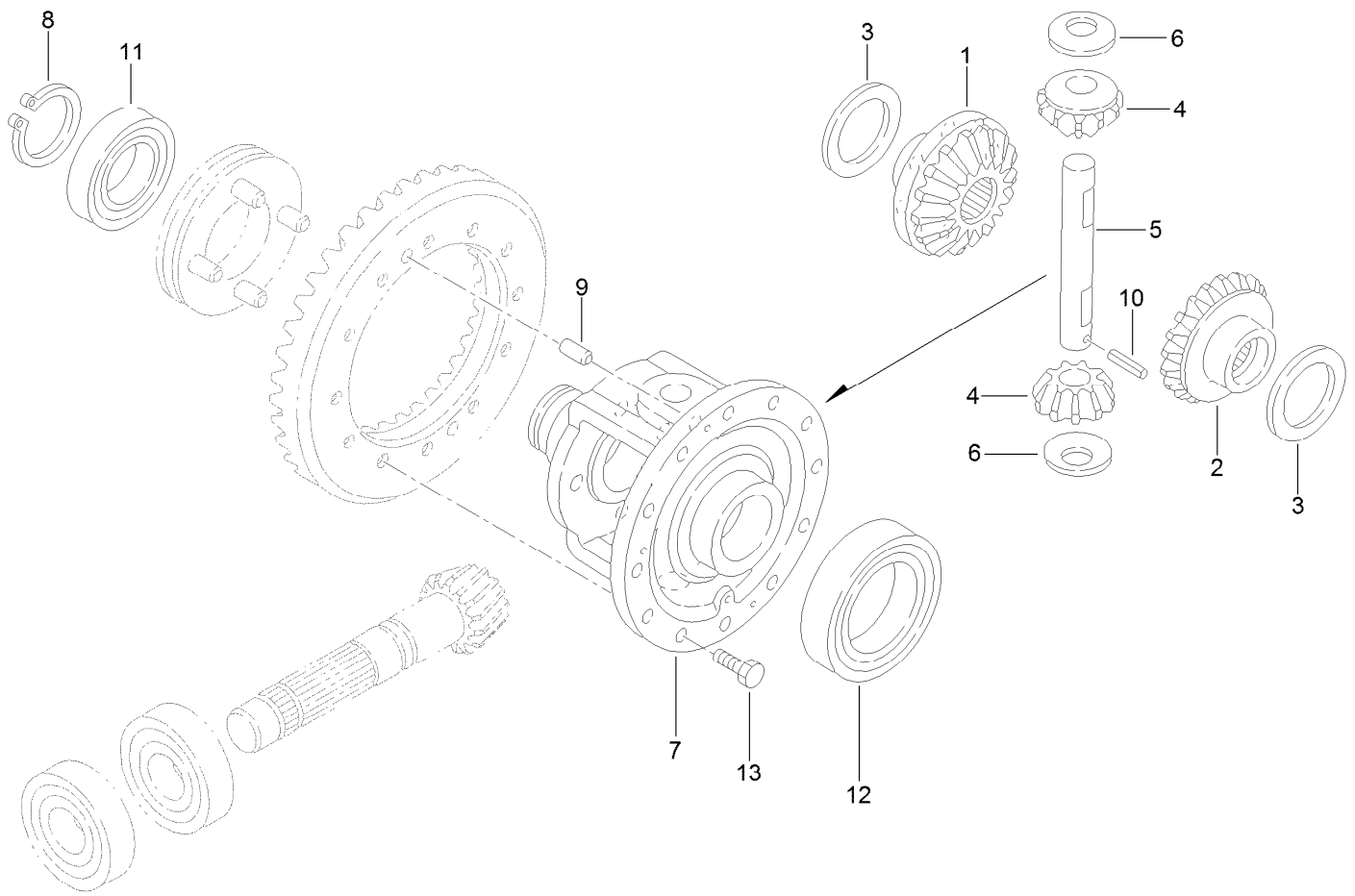
<i>Ref.</i>	<i>Part Number</i>	<i>Qty.</i>	<i>Description</i>	<i>Ref.</i>	<i>Part Number</i>	<i>Qty.</i>	<i>Description</i>
1	92-0698	1	Shaft-Fork	9	92-0731	2	Spring
2	92-0699	1	Shaft-Fork	10	92-0732	2	Plate-Keeper
3	92-0700	1	Fork-Shift	11	92-0769	2	Pin-Roll
4	92-0701	1	Fork-Shift	12	92-0785	2	Ball-Steel
5	92-0705	1	Lock-Spindle	13	33114-016	2	Screw-HH
6	92-0729	2	Seal-Oil	14	127-3931	1	Spring-Switch ●
7	127-3929	1	Arm-Shift	15	127-3932	1	Shaft-Switch ●
8	127-3930	1	Arm-Shift	16	127-3933	1	Plate-Switch ●

● Not illustrated



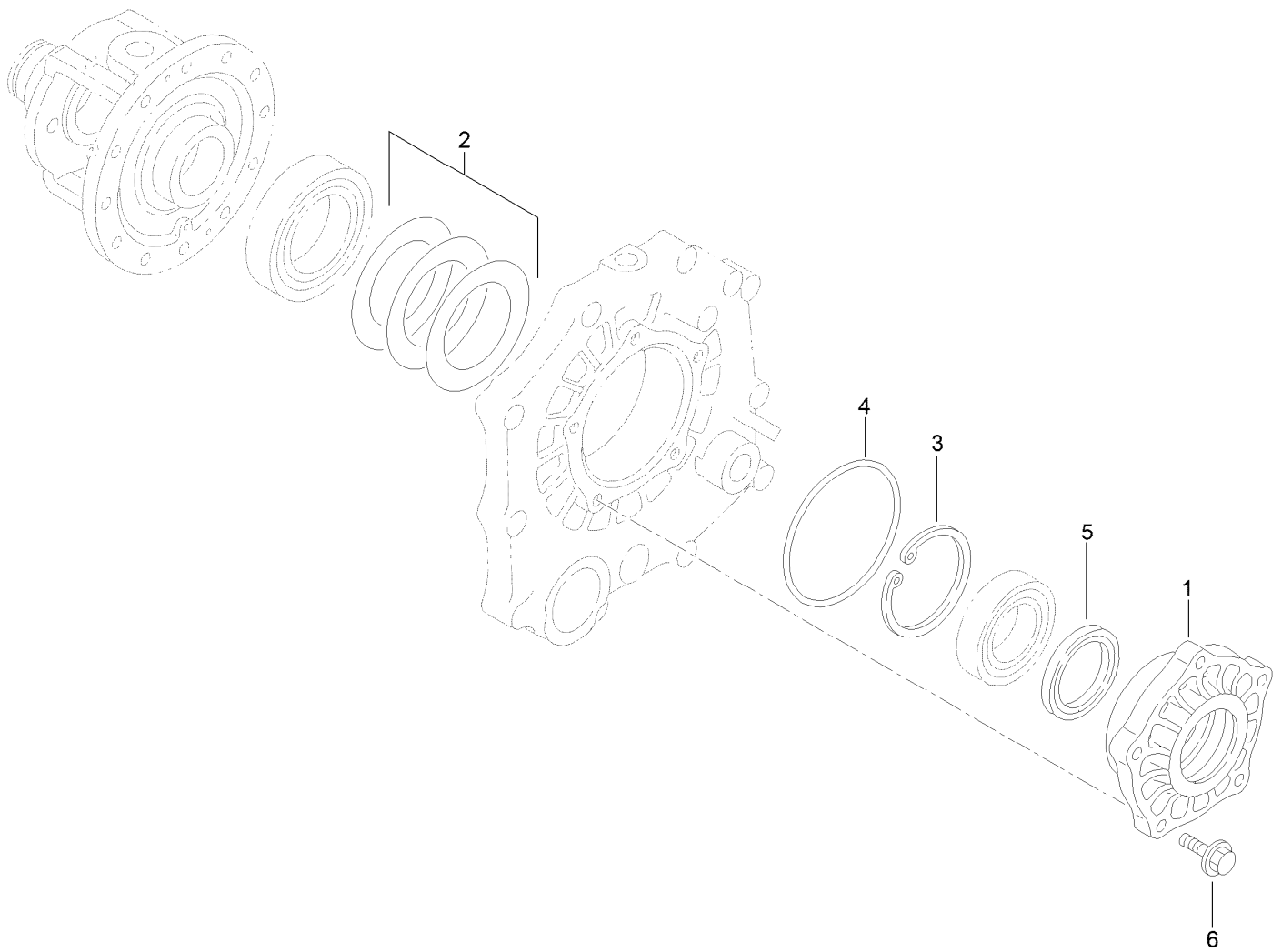
Counter Shaft Assembly Transaxle Assembly No. 120-7610

<i>Ref.</i>	<i>Part Number</i>	<i>Qty.</i>	<i>Description</i>
1	92-0710	1	Gear-Ring
2	92-0713	1	Collar
3	92-0714	2	Bearing
4	92-0716	1	Collar
5	92-0712	1	Bearing-Ball
6	100-8603	1	Gear-Count
7	92-0755	1	Ring-Snap
8	92-0764	1	Ring-Snap



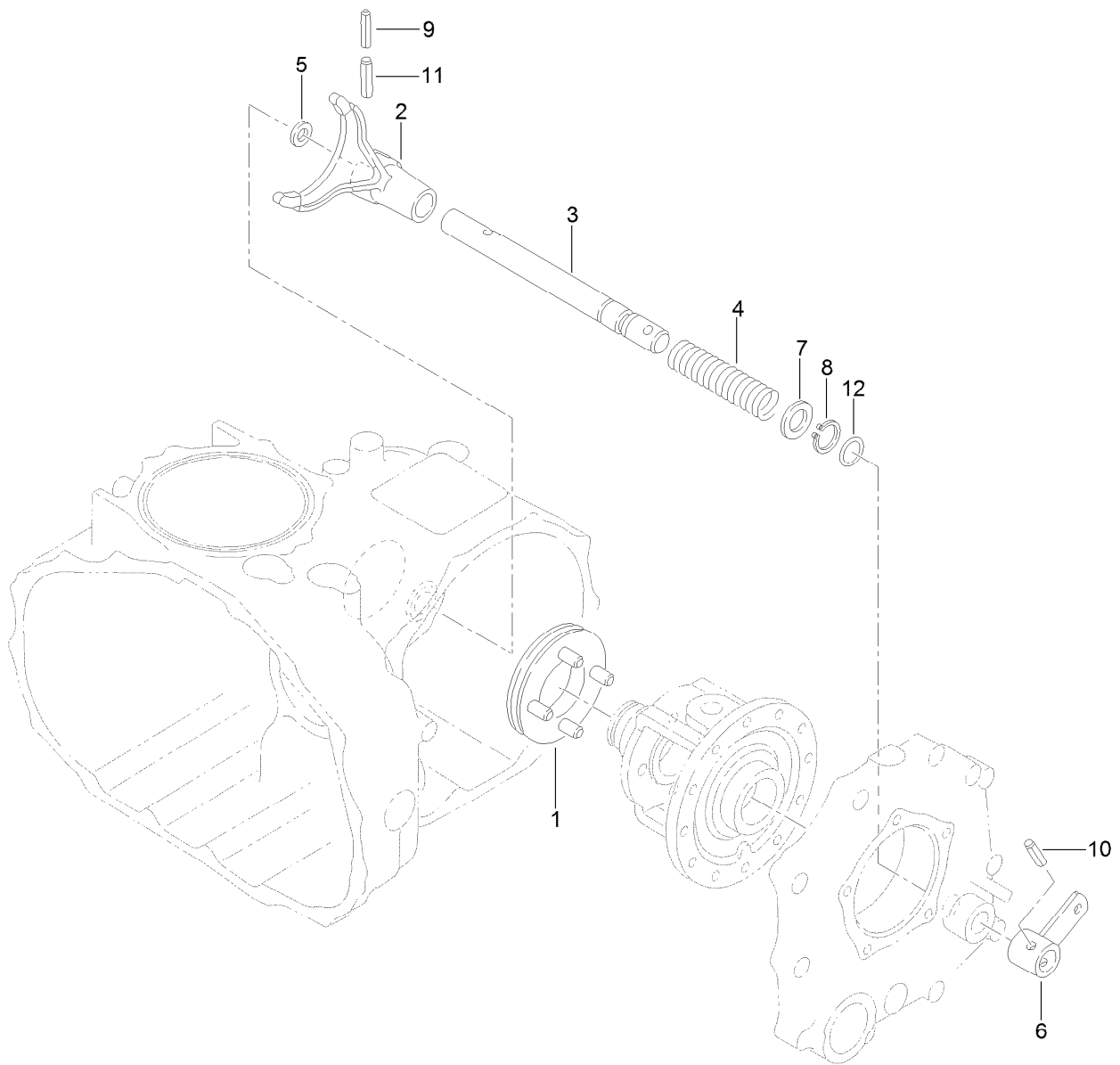
Differential Gear Assembly Transaxle Assembly No. 120-7610

<i>Ref.</i>	<i>Part Number</i>	<i>Qty.</i>	<i>Description</i>
1	92-0745	1	Gear-Side, LH
2	92-0746	1	Gear-Side, RH
3	92-0747	2	Side-Gear, Left Inner
4	92-0748	2	Pinion-Differential
5	92-0749	1	Shaft-Pinion
6	92-0750	2	Washer
7	92-0720	1	Case-Differential
8	92-0756	1	Ring-Snap
9	92-0765	2	Pin-Parallel
10	92-0768	1	Pin-Roll, Spring
11	92-0775	1	Bearing
12	92-0776	1	Bearing
13	92-0803	12	Bolt



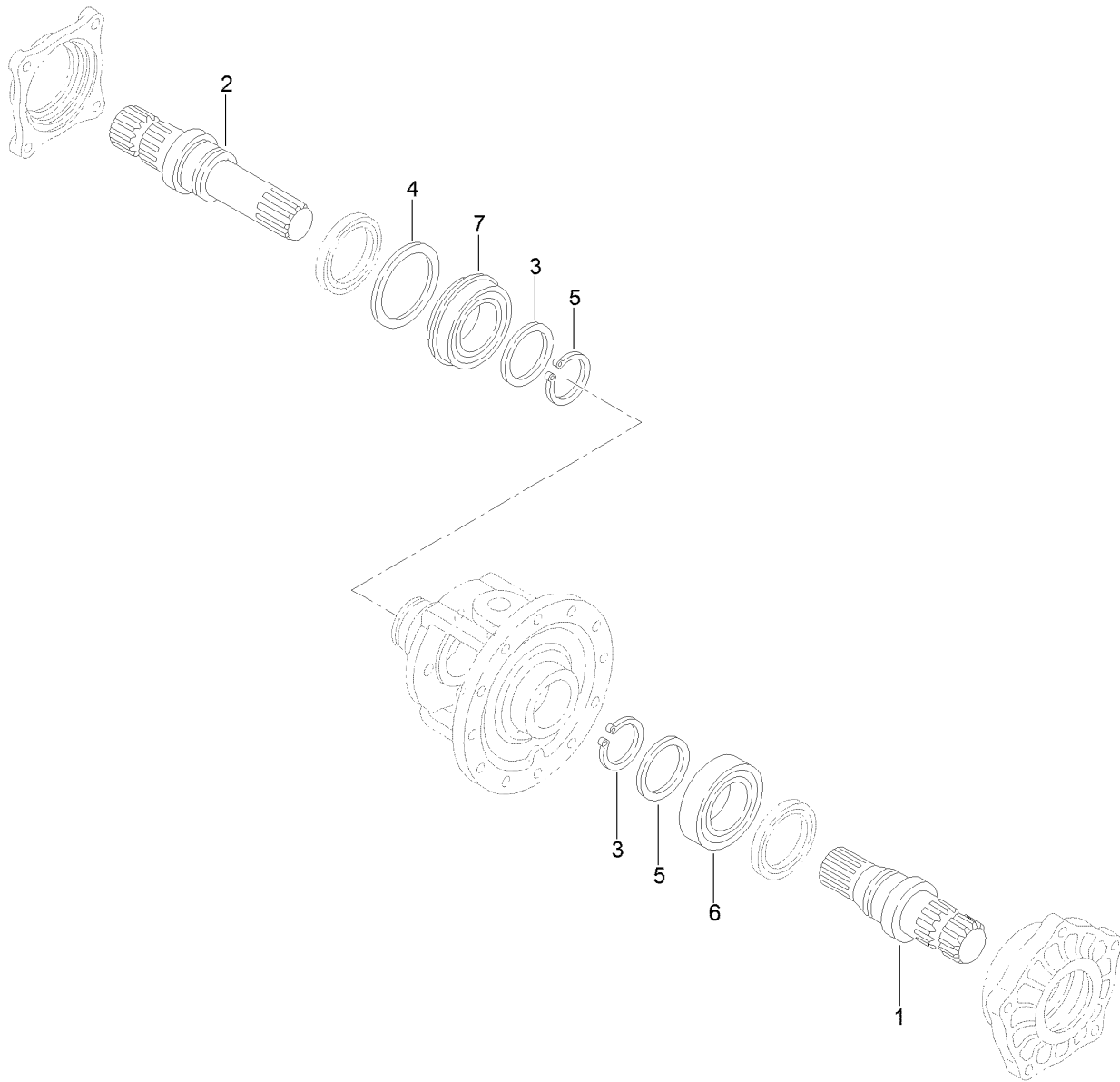
Differential Carrier Assembly Transaxle Assembly No. 120-7610

<i>Ref.</i>	<i>Part Number</i>	<i>Qty.</i>	<i>Description</i>
1	92-0654	1	Carrier-Differential
2	92-0809	1	Set-Shim
3	92-0760	1	Ring-Snap
4	92-0789	1	O-Ring
5	92-0793	1	Seal-Oil
6	48-7730	5	Screw-Cap, HH



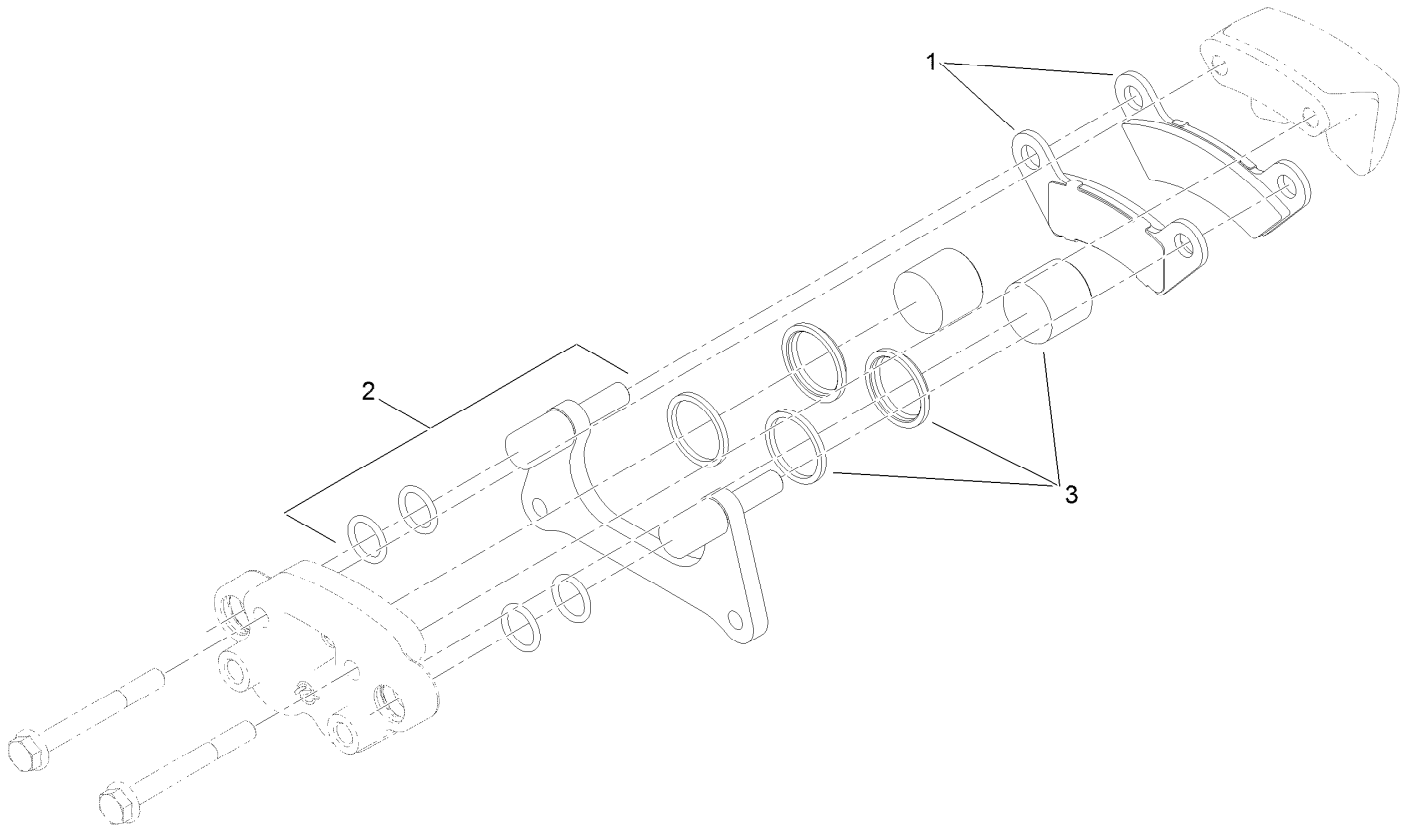
Differential Lock Assembly Transaxle Assembly No. 120-7610

<i>Ref.</i>	<i>Part Number</i>	<i>Qty.</i>	<i>Description</i>
1	92-0730	1	Slider-Differential, Lock
2	92-0721	1	Fork-Lock, Differential
3	92-0722	1	Shaft-Fork, Lock Differential
4	92-0723	1	Spring-Lock, Differential
5	92-0744	1	Washer
6	92-0724	1	Arm-Lock, Differential
7	92-0733	1	Washer
8	92-0753	1	Ring-Snap
9	92-0768	1	Pin-Roll, Spring
10	92-0770	1	Pin-Roll, Spring
11	92-0771	1	Pin-Roll, Spring
12	92-0787	1	O-Ring



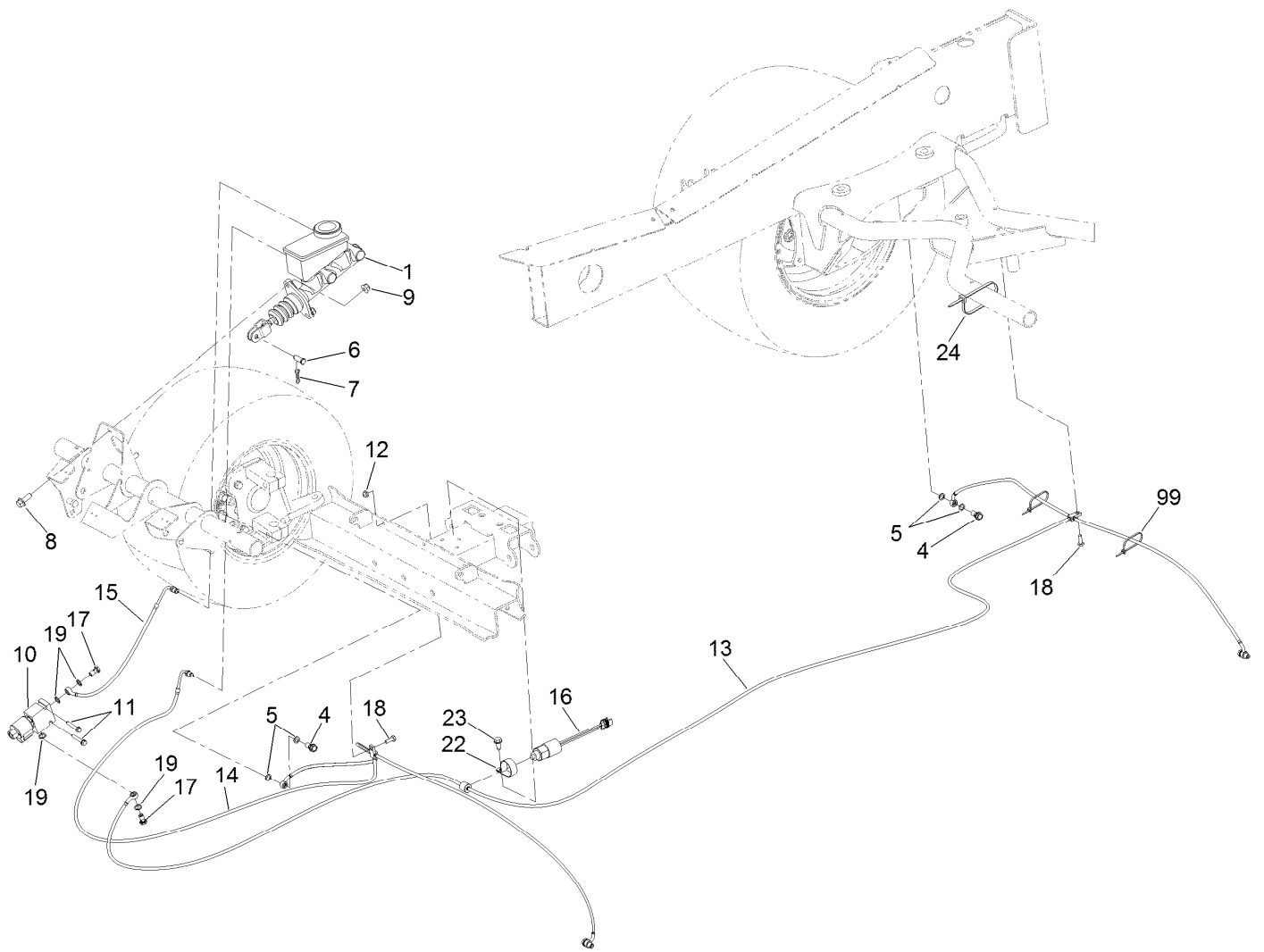
Axle Shaft Assembly Transaxle Assembly No. 120-7610

<i>Ref.</i>	<i>Part Number</i>	<i>Qty.</i>	<i>Description</i>
1	92-0725	1	Shaft-Axle, Left
2	92-0726	1	Shaft-Axle, Right
3	92-0727	2	Washer
4	92-0728	1	Washer
5	92-0756	2	Ring-Snap
6	92-0775	1	Bearing
7	92-0780	1	Bearing



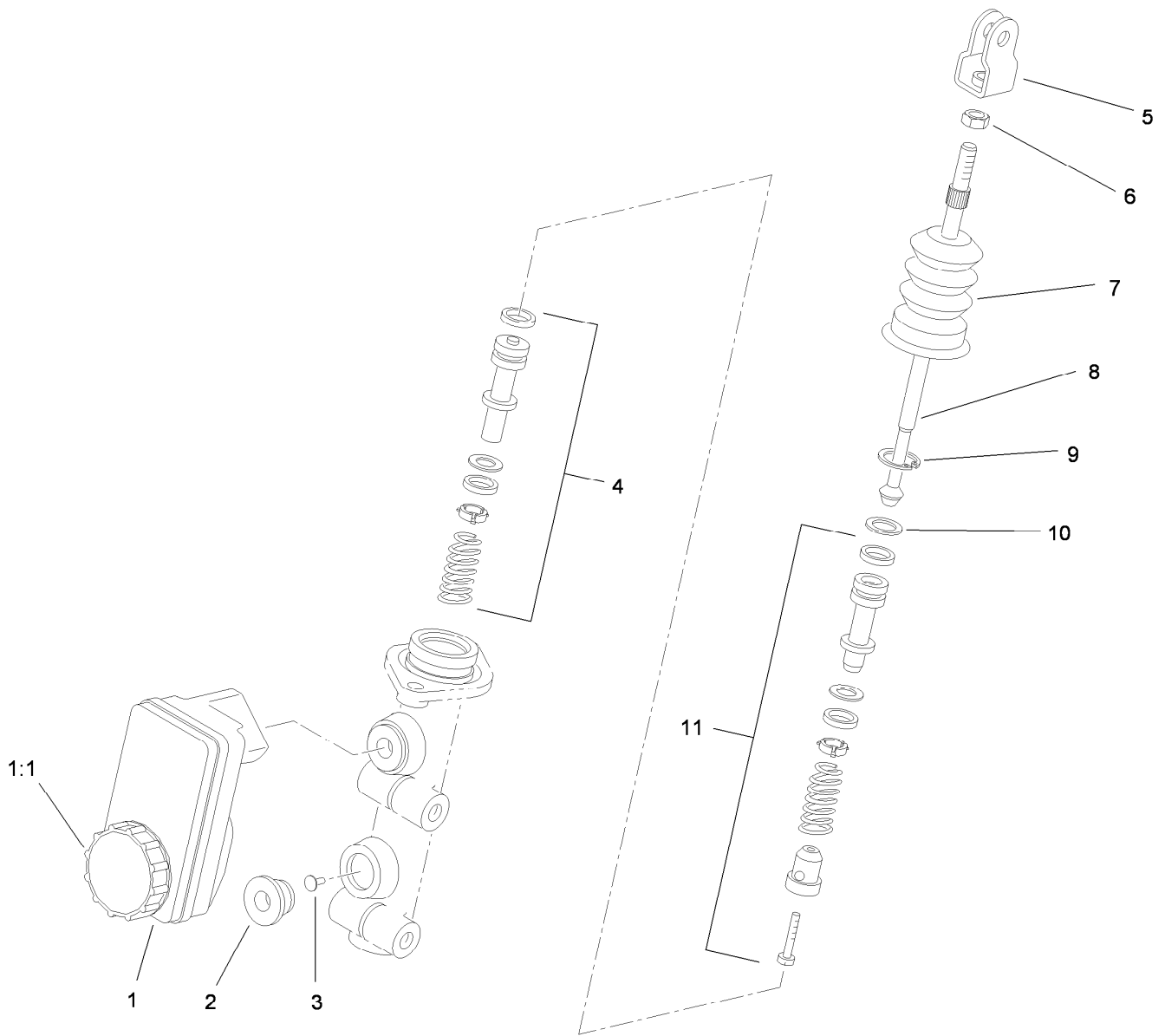
Brake Caliper Assembly No. 127-7424

<i>Ref.</i>	<i>Part Number</i>	<i>Qty.</i>	<i>Description</i>
1	140-2580	1	Brake Pad Service Kit (Front, Qty 4)
2	119-9511	1	Bracket Kit
3	133-0614	1	Piston Kit



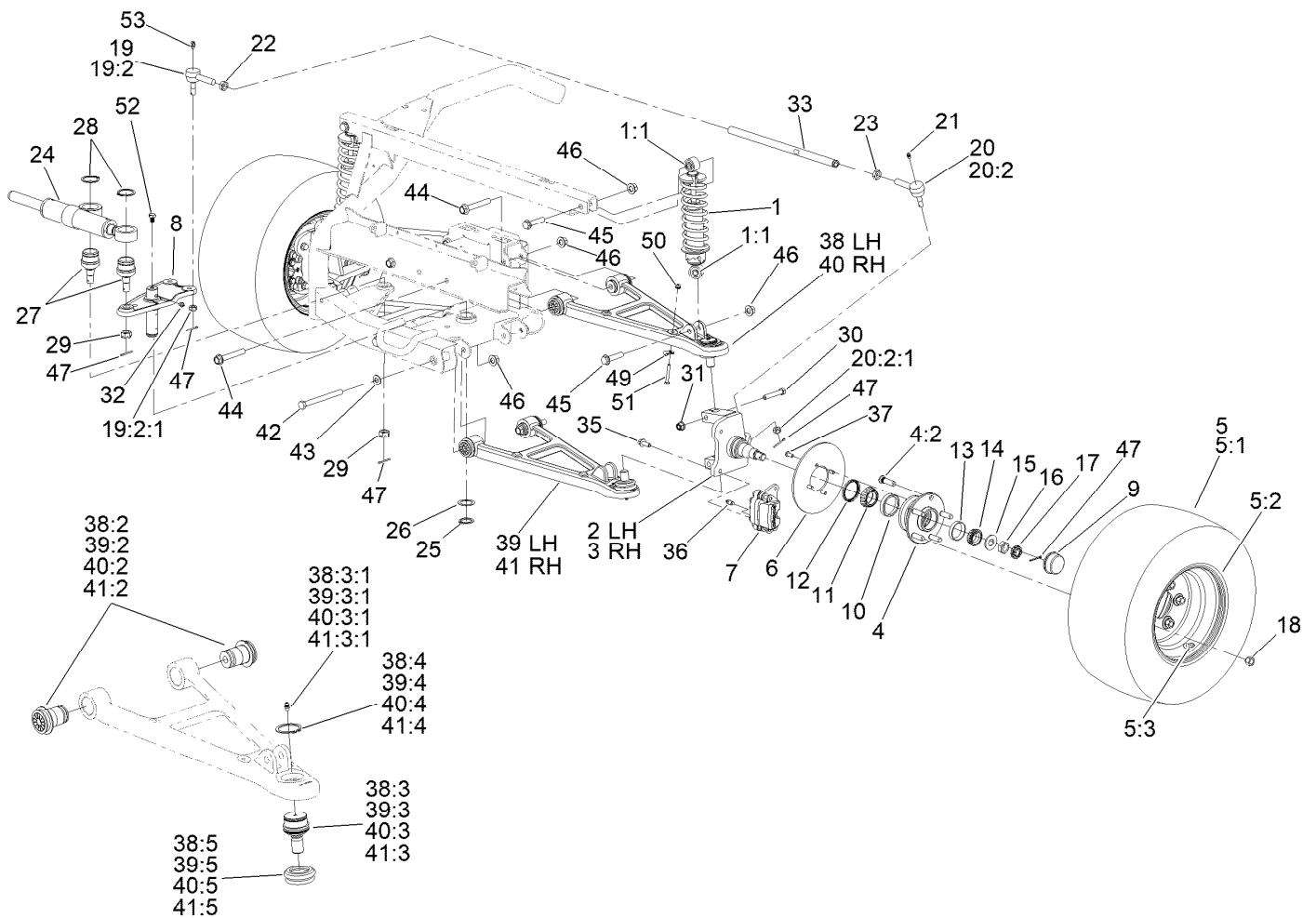
Brake Hydraulic Assembly

<i>Ref.</i>	<i>Part Number</i>	<i>Qty.</i>	<i>Description</i>	<i>Ref.</i>	<i>Part Number</i>	<i>Qty.</i>	<i>Description</i>
1	104-6782	1	Master Cylinder ASM	14	125-7999	1	Line-Brake, Front
4	120-4875	4	Bolt-Flange, Banjo	15	125-8000	1	Line-Brake, Solenoid
5	115-2341	8	Washer-Banjo	16	130-7148	1	Switch-Pressure
6	283-2	1	Pin-Clevis	17	125-8005	2	Bolt-Banjo
7	119-1415	1	Pin-Cotter, Locking	18	321-4	2	Screw-HH
8	3234-11	2	Screw-HHF	19	127-3914	4	Washer-Banjo
9	104-8301	2	Nut-HF, NI	22	2412-74	1	R-Clamp
10	125-0900	1	Valve-Brake Hold	23	32104-32	1	Screw-HWH
11	94-2691	2	Screw-HWH Taptite	24	3290-378	3	Tie-Cable
12	104-7201	1	Nut-HF, NI	99	3290-379	6	Tie-Cable
13	125-7998	1	Line-Brake, Rear				



Master Cylinder Assembly No. 104-6782

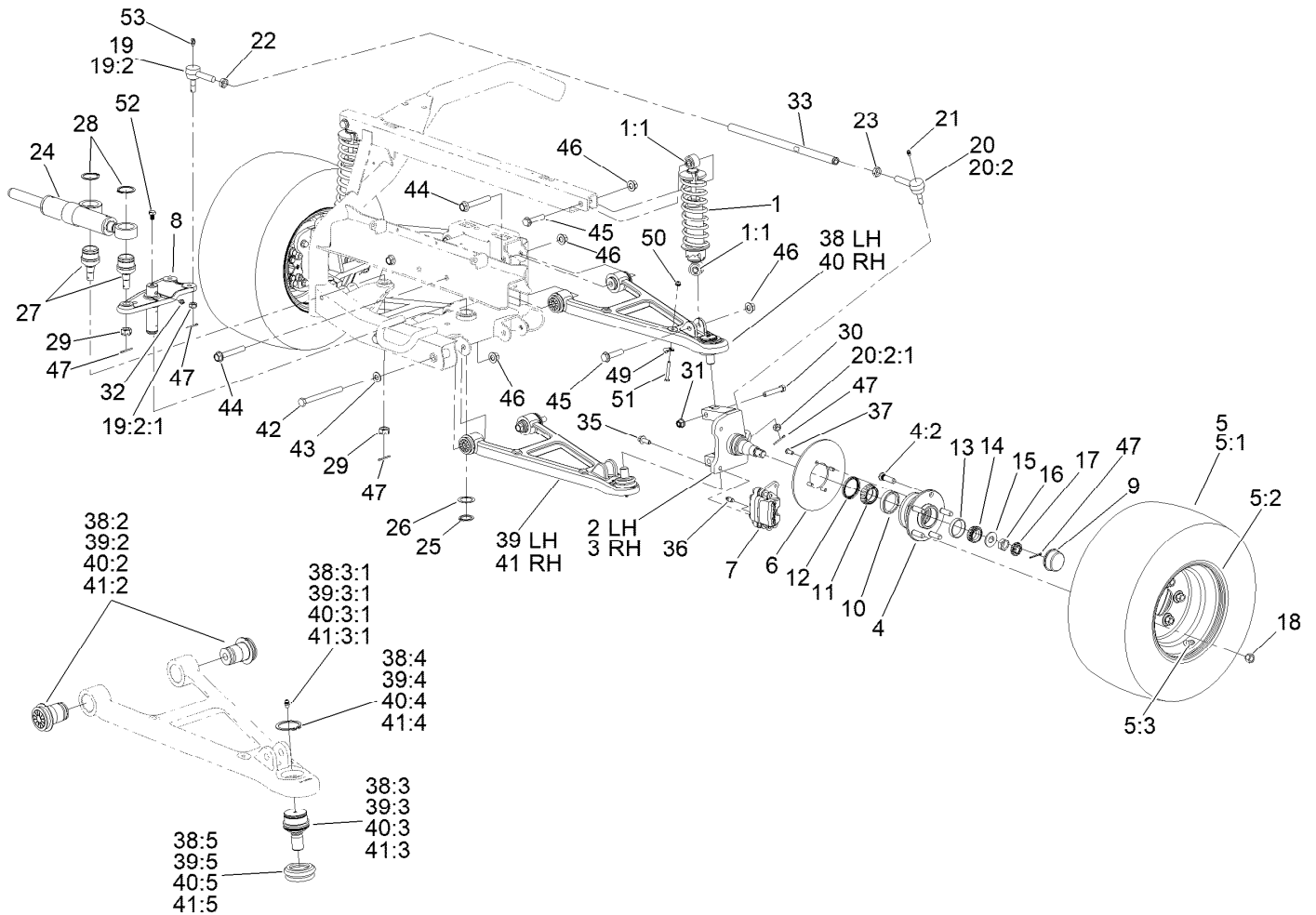
Ref.	Part Number	Qty.	Description
1	104-6845	1	Reservoir ASM
1:1	92-4112	1	Cap ASM
2	93-8971	2	Seal-Port, Flange
3	92-4103	1	Pin-Stop
4	92-4102	1	Secondary Piston ASM
5	92-4110	1	Clevis
6	21-0360	1	Nut-Hex
7	94-5209	1	Cover-Dust
8	94-5210	1	Rod-Push
9	92-4109	1	Ring-Snap
10	92-4108	1	Retainer-Washer
11	92-4101	1	Primary Piston ASM



Front Suspension Assembly

Ref.	Part Number	Qty.	Description	Ref.	Part Number	Qty.	Description
1	147-3170	2	Shock ASM - Coil Over	14	254-94	2	Bearing-Cone, Tapered
1:1	131-8574	2	Isolator-Shock	15	93-0309	2	Washer-Tab
2	147-3160	1	Spindle, LH	16	3220-7	2	Nut-Jam
3	147-4654	1	Spindle, RH	17	93-0307	2	Nut-Lock, Retainer
4	117-8071	2	Hub ASM	18	139-2564	10	Nut-Lug
4:2	10-6830	5	Stud-Type, Drive	19	112772-03	2	Joint-Ball, RH
5	125-0763	2	Tire And Wheel ASM	19:2		1	Socket-Balljoint ●
5:1	120-7639	1	Tire	19:2:1	915031	1	Nut
5:2	125-0764	1	Wheel	20	112771-03	2	Joint-Ball, LH
5:3	232-27	1	Stem-Valve	20:2		1	Socket-Balljoint ●
6	136-6295	2	Rotor-Brake	20:2:1	915031	1	Nut
7	127-7424	2	Brake Caliper ASM	21	302-5	2	Fitting-Grease
8	137-1602	1	Pitman Arm (Mach)	22	3220-11	2	Nut-Jam
9	241-119	2	Cap-Dust	23	3218-21	2	Nut-Jam LH
10	254-107	2	Cup-Bearing, Tapered	24	125-0720	1	Cylinder-Hydraulic, Steering
11	254-106	2	Cone-Bearing, Tapered	25	32151-77	1	Ring-Retaining, External
12	108-7019	2	Seal-Shaft	26	76-2980	2	Washer-Thrust
13	254-72	2	Bearing-Cup, Tapered	27	117-9875	2	Joint-Ball

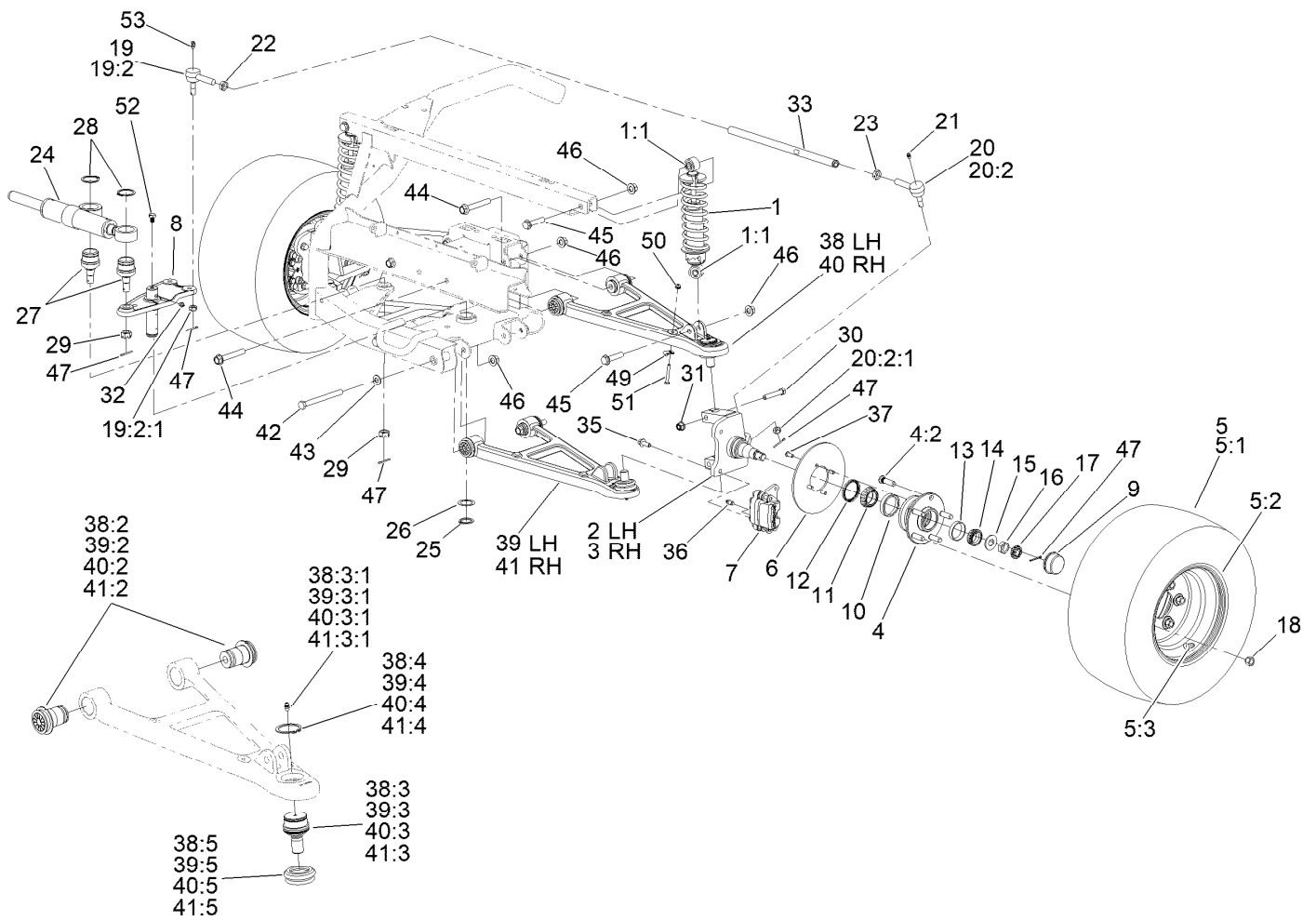
● Not serviced separately



Front Suspension Assembly (continued)

Ref.	Part Number	Qty.	Description	Ref.	Part Number	Qty.	Description
28	32151-104	2	Ring-Retaining, External	39:3:1	302-5	1	Fitting-Grease
29	32136-2	2	Nut-SHH	39:4	32151-104	1	Ring-Retaining, External
30	324-10	4	Screw-HH	39:5	87-2420	1	Seal-Joint, Ball
31	114-8417	4	Nut-HF, NI	40	125-8023	1	RH Upper Control Arm ASM
32	302-52	1	Fitting-Grease	40:2	87-1450	2	Bushing-Flange
33	115-7654	2	Tie Rod	40:3	115-2165	1	Ball Joint
35	3234-11	4	Screw-HHF	40:3:1	302-5	1	Fitting-Grease
36	119-9509	2	Screw-Bleed	40:4	32151-104	1	Ring-Retaining, External
37	3274-55	8	Screw-HSBH	40:5	87-2420	1	Seal-Joint, Ball
38	125-8021	1	LH Upper Control Arm ASM	41	125-8024	1	RH Lower Control Arm ASM
38:2	87-1450	2	Bushing-Flange	41:2	87-1450	2	Bushing-Flange
38:3	115-2165	1	Ball Joint	41:3	115-2165	1	Ball Joint
38:3:1	302-5	1	Fitting-Grease	41:3:1	302-5	1	Fitting-Grease
38:4	32151-104	1	Ring-Retaining, External	41:4	32151-104	1	Ring-Retaining, External
38:5	87-2420	1	Seal-Joint, Ball	41:5	87-2420	1	Seal-Joint, Ball
39	125-8022	1	LH Lower Control Arm ASM	42	325-22	2	Screw-HH
39:2	87-1450	2	Bushing-Flange	43	3256-26	2	Washer-Flat
39:3	115-2165	1	Ball Joint	44	114-8419	6	Screw-HHF

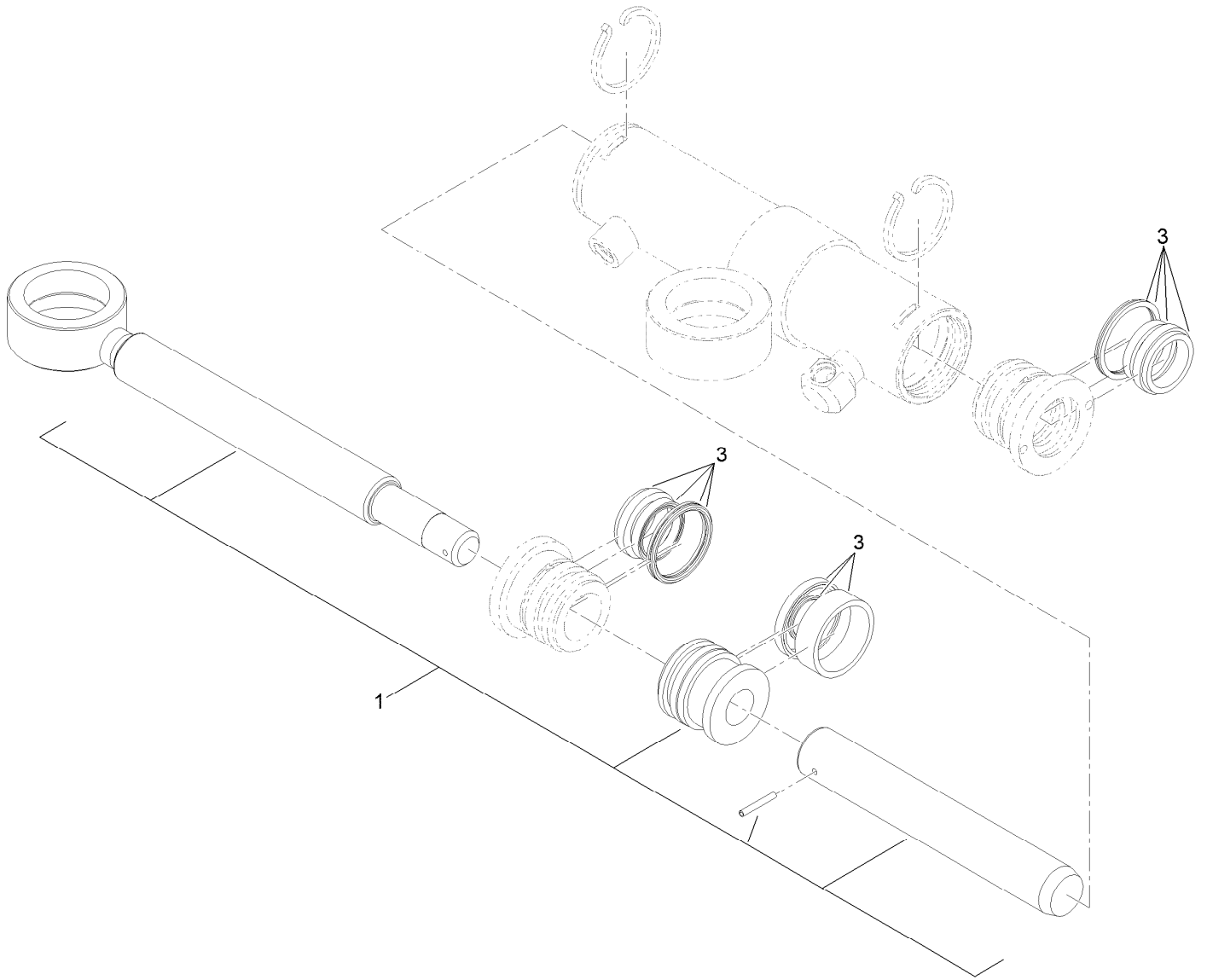
● Not serviced separately



Front Suspension Assembly (continued)

Ref.	Part Number	Qty.	Description	Ref.	Part Number	Qty.	Description
45	3234-46	4	Screw-HHF	50	104-7201	2	Nut-HF, NI
46	99-5107	12	Nut-HF Nylock	51	321-11	2	Screw-HH
47	3272-12	8	Pin-Cotter	52	302-60	2	Fitting-Grease
49	2412-72	2	Clip-Closed, Insulated	53	138-6279	1	Screw-Cap, HH

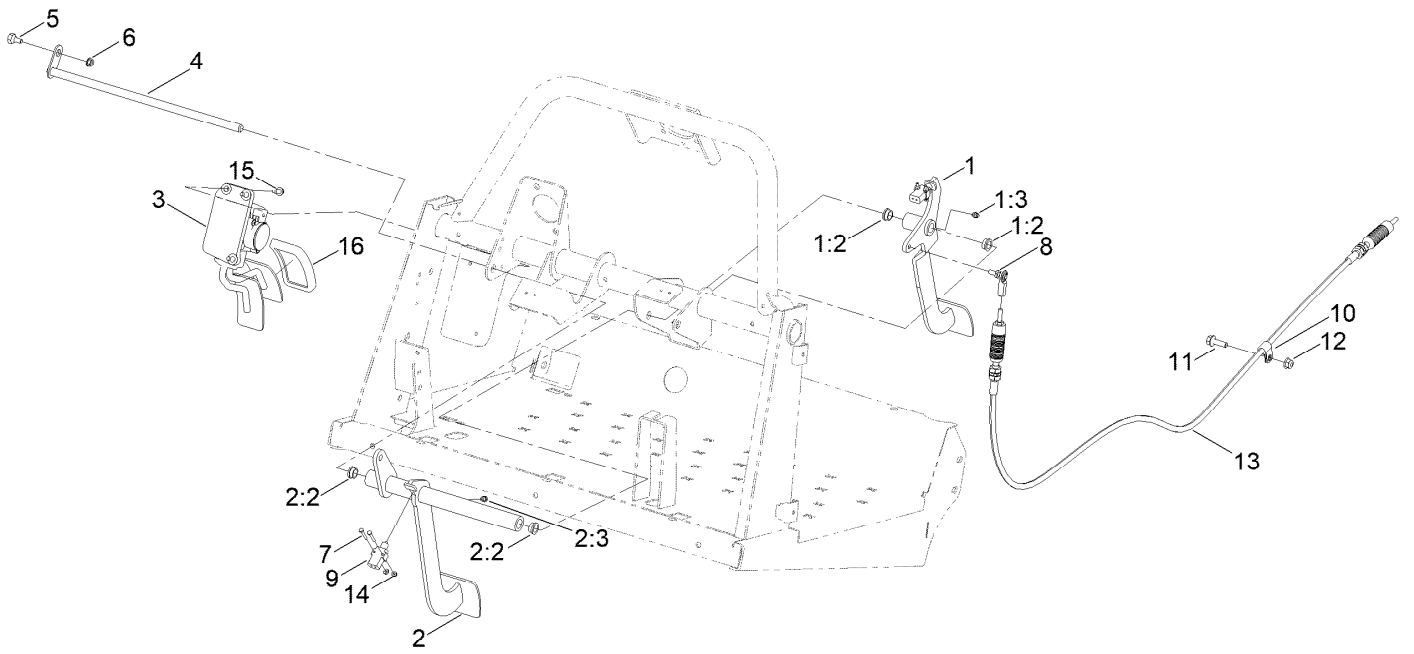
● Not serviced separately



Hydraulic Cylinder Assembly No. 125-0720

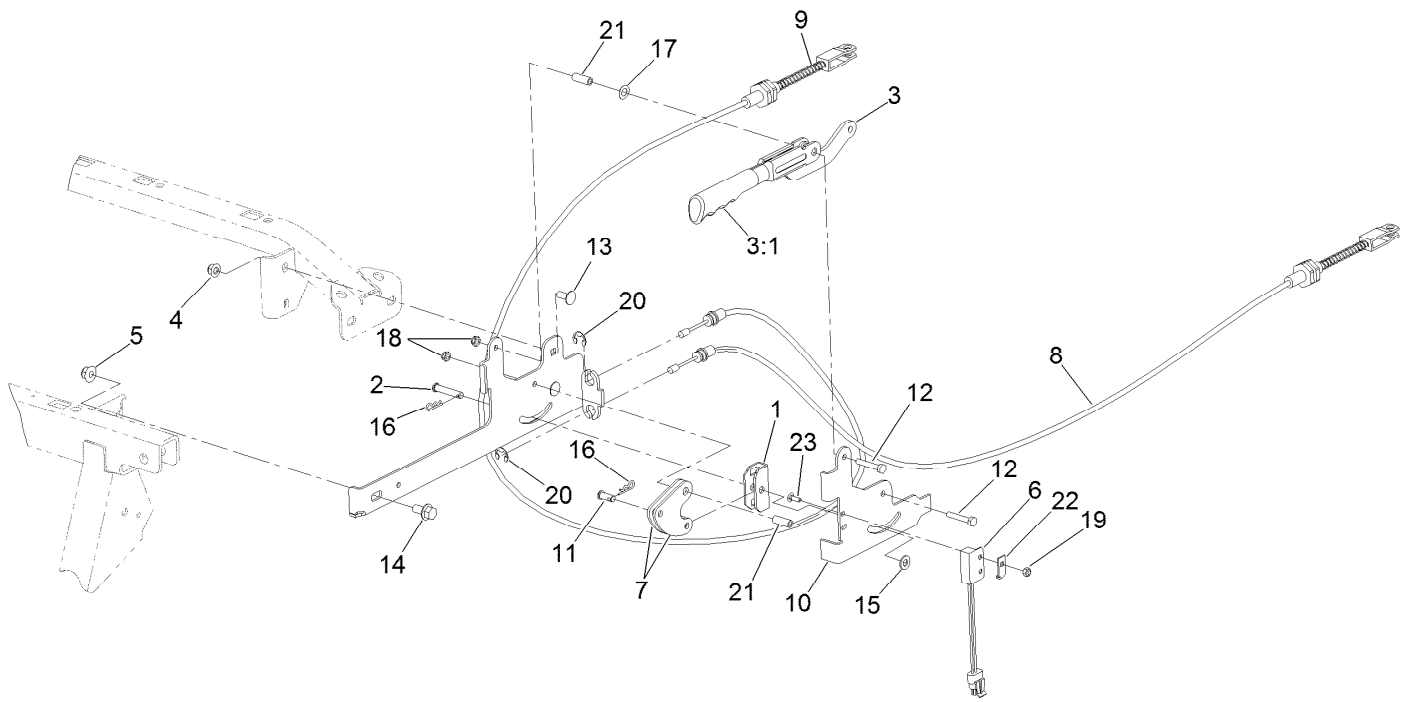
<i>Ref.</i>	<i>Part Number</i>	<i>Qty.</i>	<i>Description</i>
1	125-0722	1	Rod-Cylinder
3	115-2160	1	Cylinder Repair Kit

Pedal Assembly



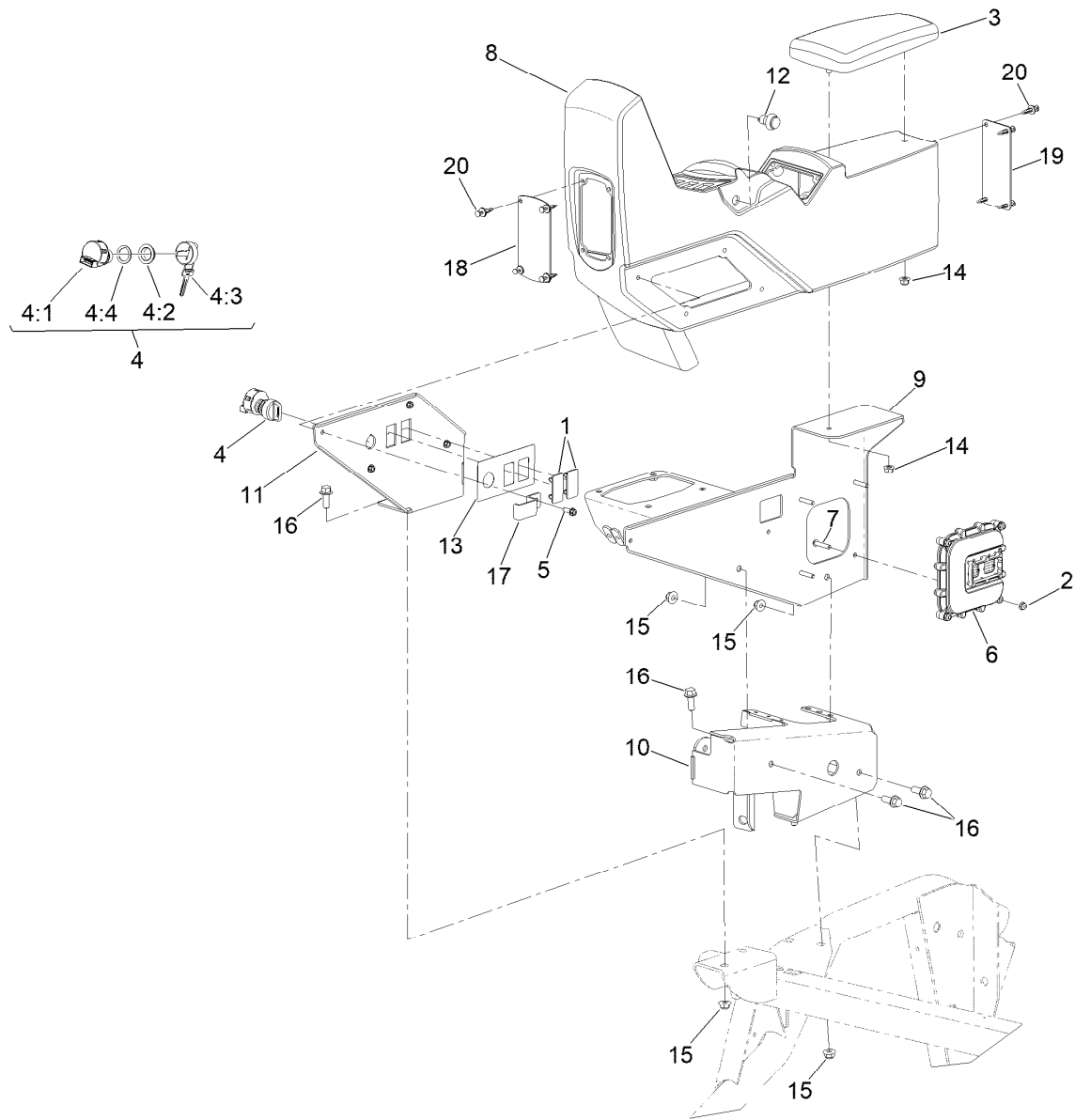
Pedal Assembly (continued)

<i>Ref.</i>	<i>Part Number</i>	<i>Qty.</i>	<i>Description</i>	<i>Ref.</i>	<i>Part Number</i>	<i>Qty.</i>	<i>Description</i>
1	147-3587	1	Pedal, Clutch ASM	7	32105-9	4	Screw-HH
1:2	256-156	2	Bushing-Flange	8	110-2554	1	Rod End-Spherical
1:3	302-5	1	Fitting-Grease	9	99-3410	2	Switch
2	147-3585	1	Pedal, Brake ASM	10	2412-93	1	Clamp-R
2:2	256-156	2	Bushing-Flange	11	3234-17	1	Screw-HHF
2:3	302-5	1	Fitting-Grease	12	104-8300	1	Nut-HF, NI
3	144-2740	1	Pedal ASM-Accelerator	13	125-0957	1	Cable-Clutch
4	163-2930	1	Pivot ASM	14	3296-9	4	Nut-Hex
5	63-3410	1	Screw-Shoulder	15	49-2040	3	Screw-HWHTF
6	32128-33	1	Nut-HF	16	140-4572	1	Pedal Pad-Throttle



Parking Brake Lever and Cable Assembly

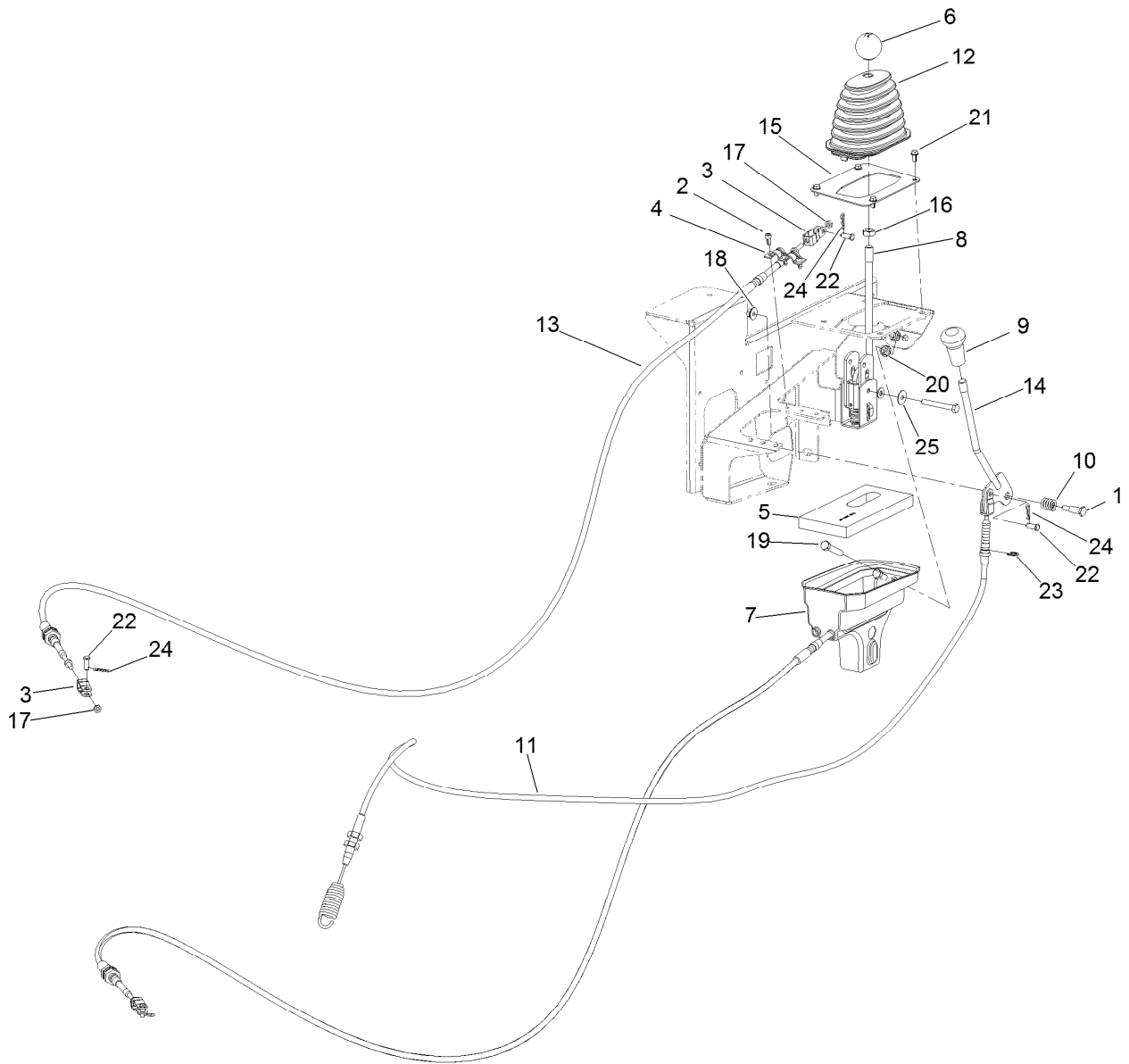
<i>Ref.</i>	<i>Part Number</i>	<i>Qty.</i>	<i>Description</i>	<i>Ref.</i>	<i>Part Number</i>	<i>Qty.</i>	<i>Description</i>
1	87-3480	1	Bracket-Equalizer, Cable	12	321-9	2	Screw-HH
2	94-3829	1	Pin-Clevis	13	3230-23	2	Bolt-CARR
3	127-8863	1	Lever-Brake, Park	14	3234-1	1	Screw-HHF
3:1	127-8864	1	Grip-Handle	15	3256-23	1	Washer-Plain
4	104-8300	2	Nut-HF, NI	16	3290-307	2	Pin-Cotter
5	104-8301	1	Nut-HF, NI	17	3290-477	1	Washer-Curved
6	105-0023	1	Sensor, Switch-Proximity	18	3296-56	2	Nut-Lock, NI
7	106-7814	2	Bellcrank	19	3296-2	1	Nut-Lock, NI
8	136-2444	1	Cable-Parking Brake, LH	20	32120-47	2	Ring-Retaining, External
9	136-2445	1	Cable-Parking Brake, RH	21	114402	2	Spacer
10	136-2353-0P	1	Parking Brake ASM [primed]	22	100-4872	1	Plate-Switch, Neutral
11	283-62	1	Pin-Clevis	23	3229-34	1	Screw-CARR



Control Console Mount Assembly

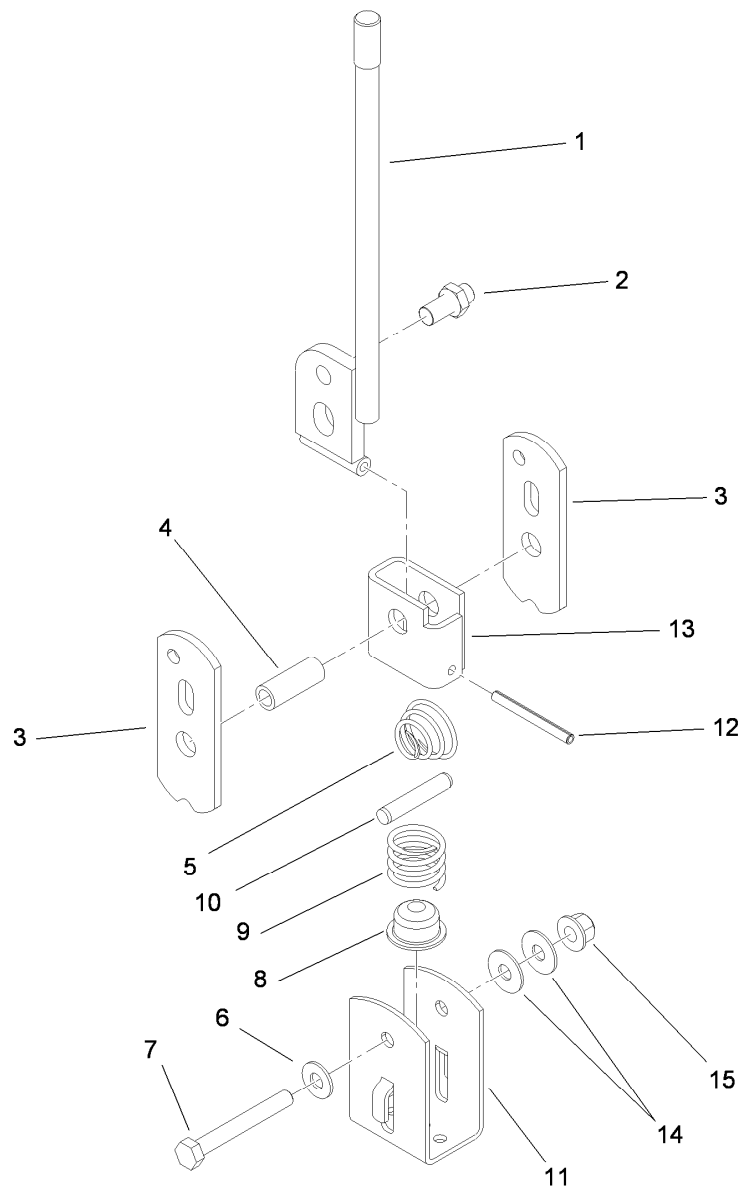
Ref.	Part Number	Qty.	Description	Ref.	Part Number	Qty.	Description
1	99-7420	2	Plug-Hole	10	125-4188-0P	1	Shifter-Mount [primed]
2	104-7201	4	Nut-HF, NI	11	125-4191-03	1	Console Mount ASM
3	108-7602	1	Rest-Arm	12	125-7996	1	Switch-Pb, Momentary
4	110-2580	1	Switch-Key, Supervisor	13	125-8114	1	Decal-Control Panel
4:1		1	Switch-Key ●	14	104-8300	2	Nut-HF, NI
4:2	108-8660	1	Nut-Mounting	15	104-8301	6	Nut-HF, NI
4:3	110-5221	1	Set-Key, Supervisor	16	3234-11	6	Screw-HHF
4:4	108-8659	1	Washer-Backup	17	136-2309	1	Bracket-Mount, Radio
5	49-2040	4	Screw-HWHTF	18	147-4692-03	1	Plate-Cover, Front
6	122-3374	1	Controller	19	147-4693-03	1	Plate-Cover, Rear
7	120-0834	4	Screw-HSBH	20	125-9622	8	Rivet-Blind
8	161-4147	1	Console-Armrest				
9	125-4108-0P	1	Console-Mount ASM [primed]				

● Not serviced separately



Gear Shift and Drift Lock Control Assembly

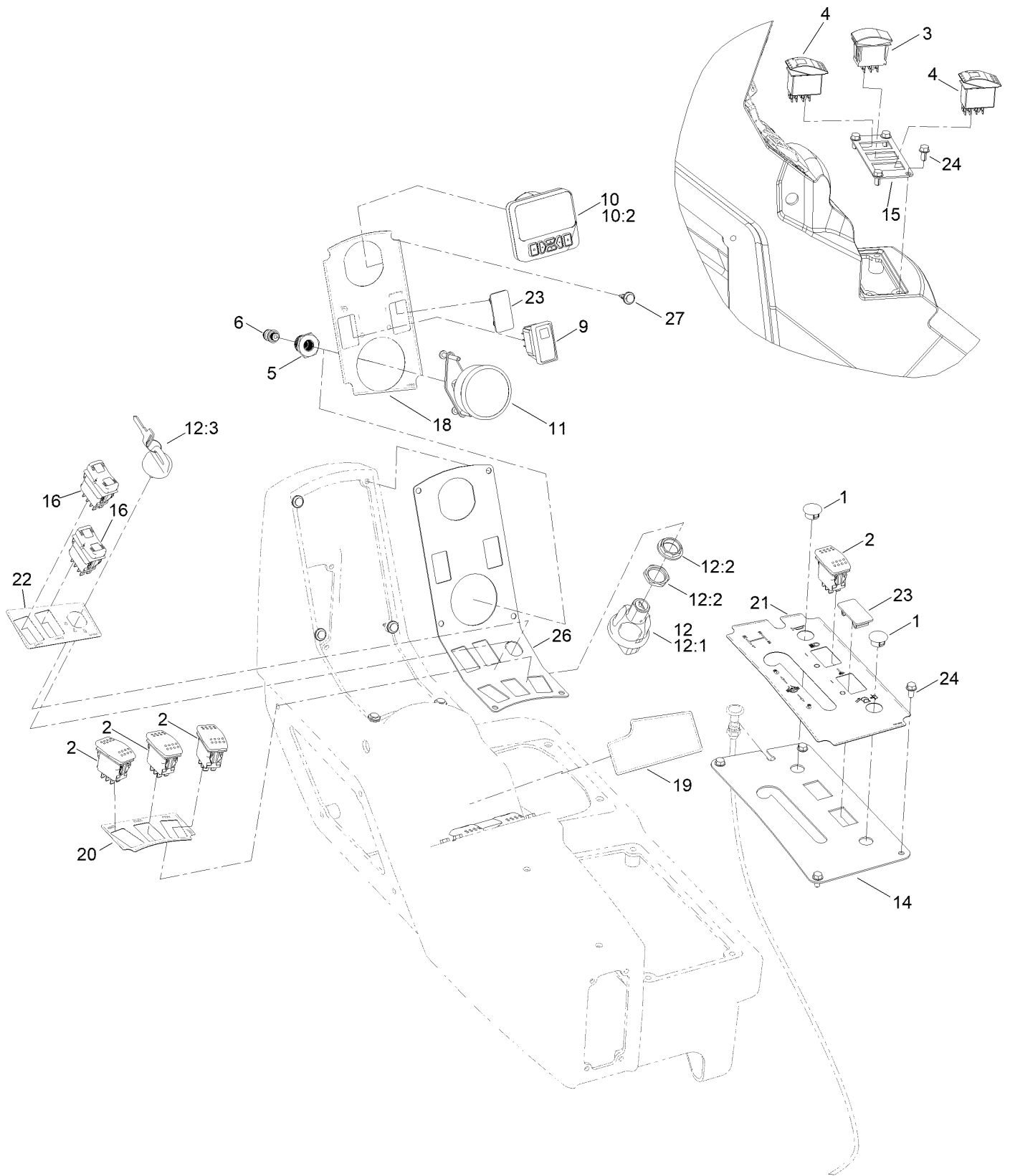
<i>Ref.</i>	<i>Part Number</i>	<i>Qty.</i>	<i>Description</i>	<i>Ref.</i>	<i>Part Number</i>	<i>Qty.</i>	<i>Description</i>
1	63-2650	1	Screw-Shoulder	13	125-0880	2	Cable-Shift
2	65-5220	3	Screw-HSH, Thread Forming	14	125-0894	1	Handle-Difflock
3	87-2310	4	Clevis-Cable	15	125-8030-03	1	Cover-Shifter
4	87-4960	1	Clamp-Cable	16	3218-18	1	Nut-Jam
5	87-6570	1	Seal-Boot, Lower	17	3220-1	4	Nut-Jam
6	87-6720	1	Knob-Shift	18	32128-13	1	Nut-HF
7	106-2376	1	Boot-Shift, Lower	19	323-10	2	Screw-HH
8	106-7887	1	Shift ASM	20	3290-357	2	Nut-HSF
9	106-7952	1	Knob	21	93-6083	4	Screw-HWH
10	136-7121	1	Spring-Compression	22	283-62	5	Pin-Clevis
11	115-2287	1	Cable-Lock, Differential	23	32120-47	1	Ring-Retaining, External
12	117-8063	1	Boot-Shift	24	3290-307	5	Pin-Cotter
				25	108-4925	1	Washer



Shift Assembly No. 106-7887

<i>Ref.</i>	<i>Part Number</i>	<i>Qty.</i>	<i>Description</i>
1	131-3469	1	Lever-Shift
2	87-3650	1	Pin-Shift
3	87-3540	2	Link-Shift
4	87-2520	1	Tube-Pivot
5	87-2900	1	Spring-Compression
6	87-8640	1	Washer-Flat
7	322-12	1	Screw-HH
8	87-3530	1	Button-Shifter
9	87-3660	1	Spring-Compression
10	3290-507	1	Pin-Dowel
11	87-3520	1	Clevis
12	32121-48	1	Pin-Spring
13	87-6040	1	Bracket-Shifter
14	3290-456	2	Washer-Belleville
15	104-8300	1	Nut-HF, NI

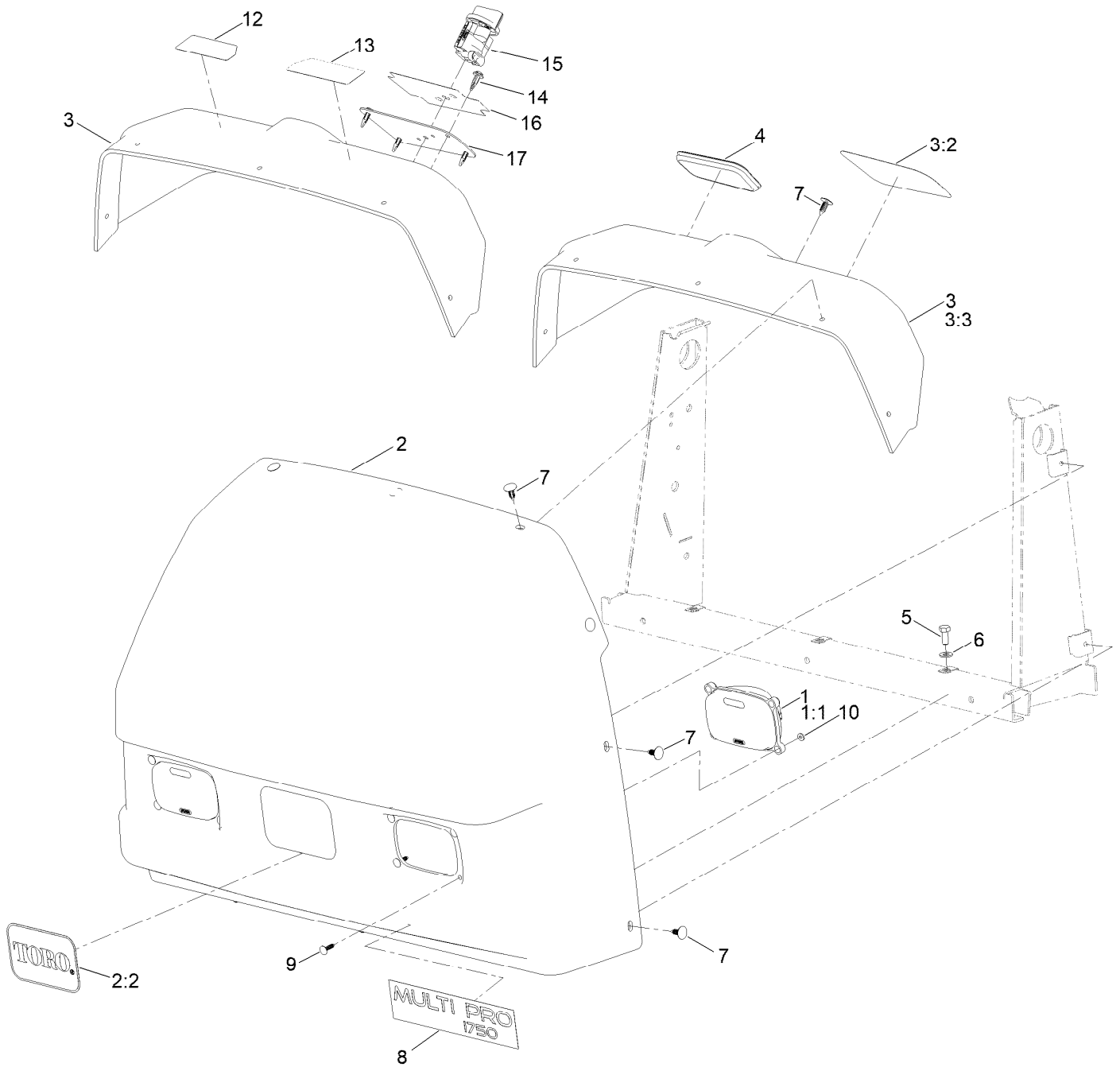
Control Console Assembly



Control Console Assembly (continued)

<i>Ref.</i>	<i>Part Number</i>	<i>Qty.</i>	<i>Description</i>	<i>Ref.</i>	<i>Part Number</i>	<i>Qty.</i>	<i>Description</i>
1	94-5627	2	Plug-Dome	12:2	122-2704	1	Nut-Face, M22 (Plastic)
2	95-8999	4	Switch-Rocker, On-None-On	12:3	121-5162	1	Set-Key, Ignition
3	100-1535	1	Switch-Rocker, (On)-Off-(On)	14	125-0896-03	1	Panel-Cover
4	100-8490	2	Switch-Rocker, On-None-On	15	125-0898-03	1	Panel-Switches
5	100-8665	1	Reducer-Gauge, Pressure	16	125-0899	2	Switch-Rocker
6	100-8667	1	Coupler-Reducer	18	161-4143	1	Decal-Control Panel, Upper
9	120-0695	1	Switch-Rocker, On-Off-(On)	19	130-8293	1	Decal-Control Panel, Rear
10	161-1700	1	Display-LCD	20	161-4145	1	Decal-Control Panel, Spray
10:2	161-1723	1	Nut-Display	21	163-2966	1	Decal-Control Panel
11	120-8546	1	Gauge-Pressure	22	161-4144	1	Decal-Switch Panel, Center
12	121-5159	1	Switch-Ignition	23	99-7420	2	Plug-Hole
12:1	121-5160	1	Nut-Hex	24	93-6083	8	Screw-HWH
				26	161-4137-03	1	Panel-Switches
				27	125-9622	6	Rivet-Blind

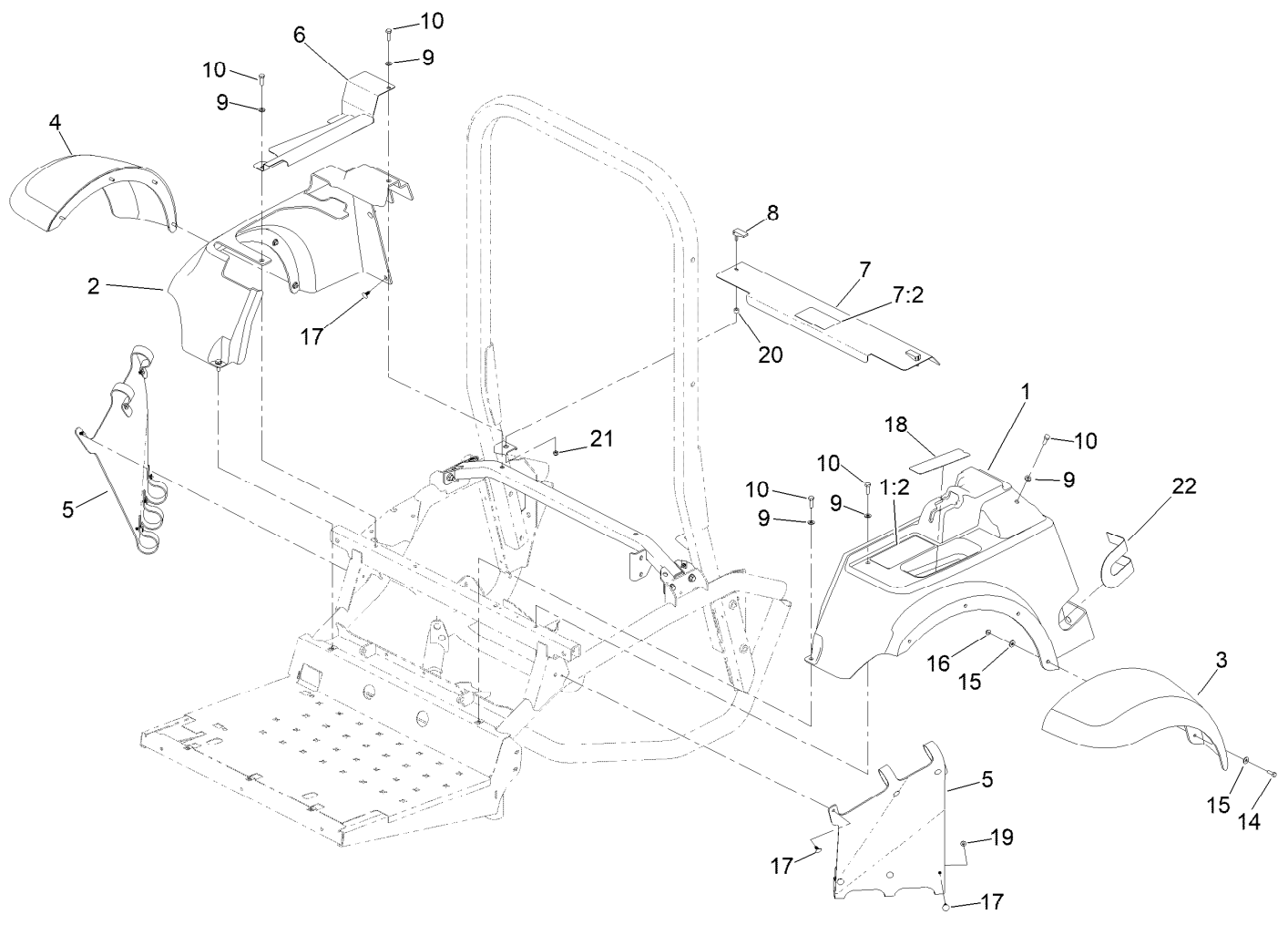
Hood, Dash and Headlight Assembly



Hood, Dash and Headlight Assembly (continued)

<i>Ref.</i>	<i>Part Number</i>	<i>Qty.</i>	<i>Description</i>	<i>Ref.</i>	<i>Part Number</i>	<i>Qty.</i>	<i>Description</i>
1	125-0672	2	Headlight ASM	7	117-2382	10	Plug-Plastic
1:1	125-0673	1	Halogen-Bulb	8	127-3944	1	Decal
2	127-3982	1	Hood	9	125-8067	8	Plug-Plastic
2:2	67-1300	1	Decal	10	3256-21	8	Washer-Flat
3	163-2998	1	Dash	12	163-2967	1	Decal-Warning
3:2	163-2967	1	Decal-Warning	13	163-2968	1	Decal-Warning
3:3	163-2968	1	Decal-Warning	14	125-9622	4	Rivet-Blind
4	125-8059	1	Cover- Reservoir, Brake	15	163-2962	1	Sensor-Position, Rotary
5	322-3	3	Screw-HH	16	163-2990	1	Decal-Hand Throttle
6	3256-23	3	Washer-Plain	17	163-2961-03	1	Bracket-Hand Throttle

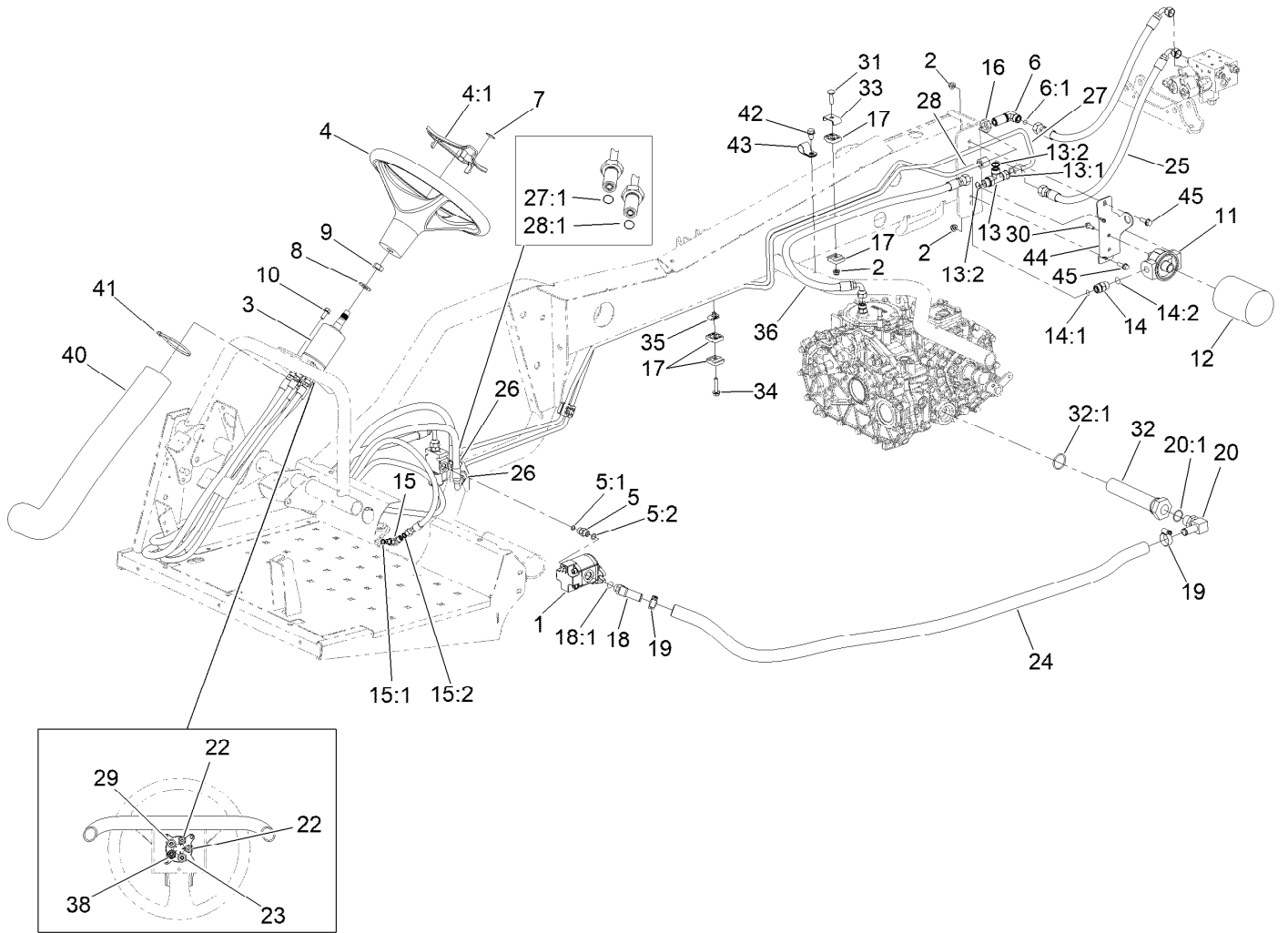
Seat Base and Front Fender Assembly



Seat Base and Front Fender Assembly (continued)

<i>Ref.</i>	<i>Part Number</i>	<i>Qty.</i>	<i>Description</i>	<i>Ref.</i>	<i>Part Number</i>	<i>Qty.</i>	<i>Description</i>
1	127-3980	1	LH Seatbase ASM	9	3256-23	7	Washer-Plain
1:2	127-3935	1	Decal-Start-Up/Shut-Down	10	322-5	7	Screw-HH
2	125-0803	1	Seatbase-RH	14	321-5	8	Screw-HH
3	125-0902	1	Fender-LH	15	3256-2	16	Washer-Flat
4	125-0903	1	Fender-RH	16	104-7201	8	Nut-HF, NI
5	125-0935	2	Shroud-Fender, Inner	17	117-2382	16	Plug-Plastic
6	163-7060-01	1	Cover ASM-Console, Bottom	18	125-8093	1	Pad-Pocket
7	127-3979	1	Cover-Engine	19	3256-16	10	Washer-Flat
7:2	127-3937	1	Decal-Warning, Engine Cover	20	106-6778	2	Bushing-Latch, Swell
8	106-6777	2	Handle-Latch, Swell	21	1-804254	2	Nut-Lock, HH
				22	131-5822	1	Guard-Rubber

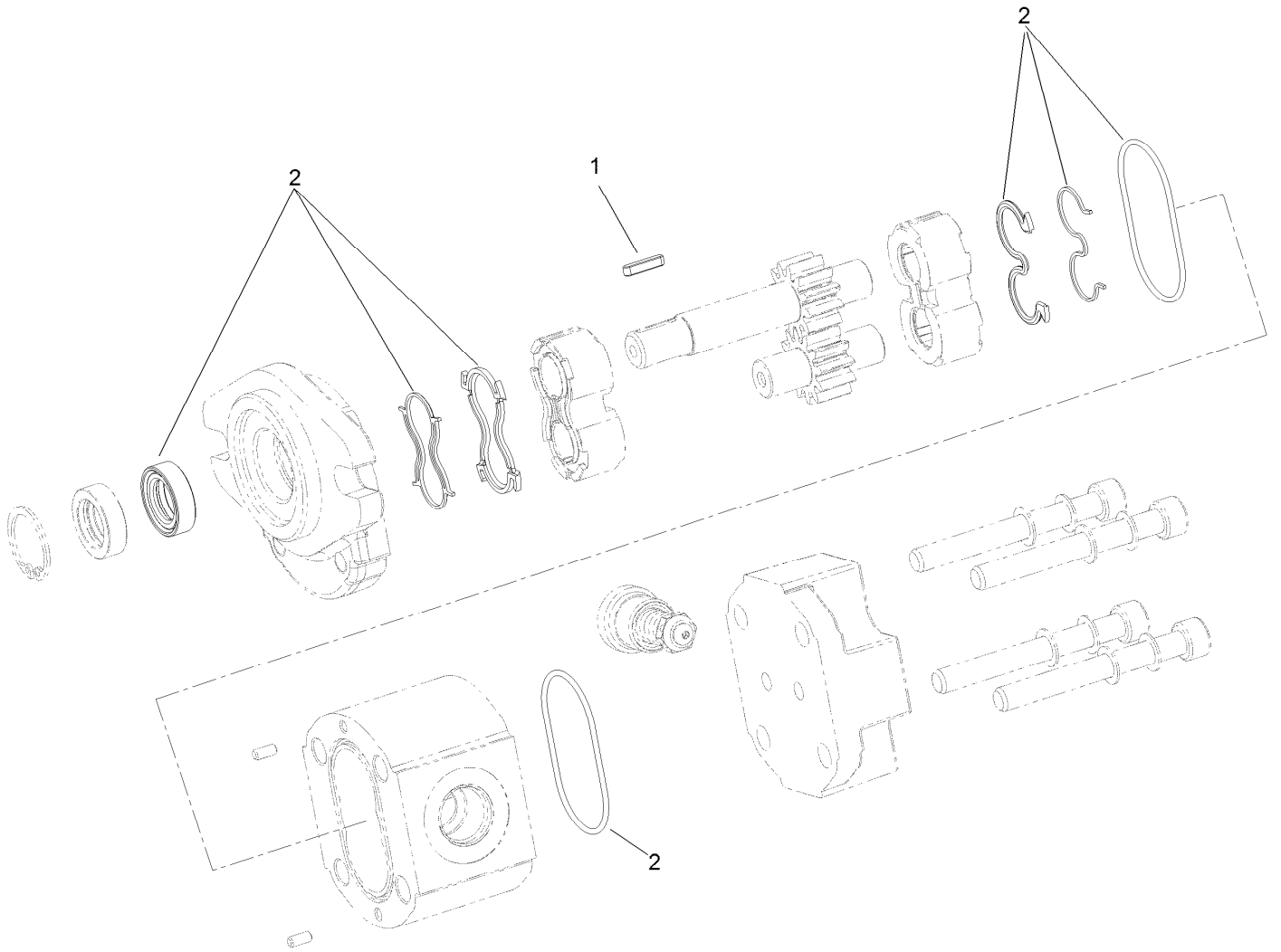
Hydraulic Steering Assembly



Hydraulic Steering Assembly (continued)

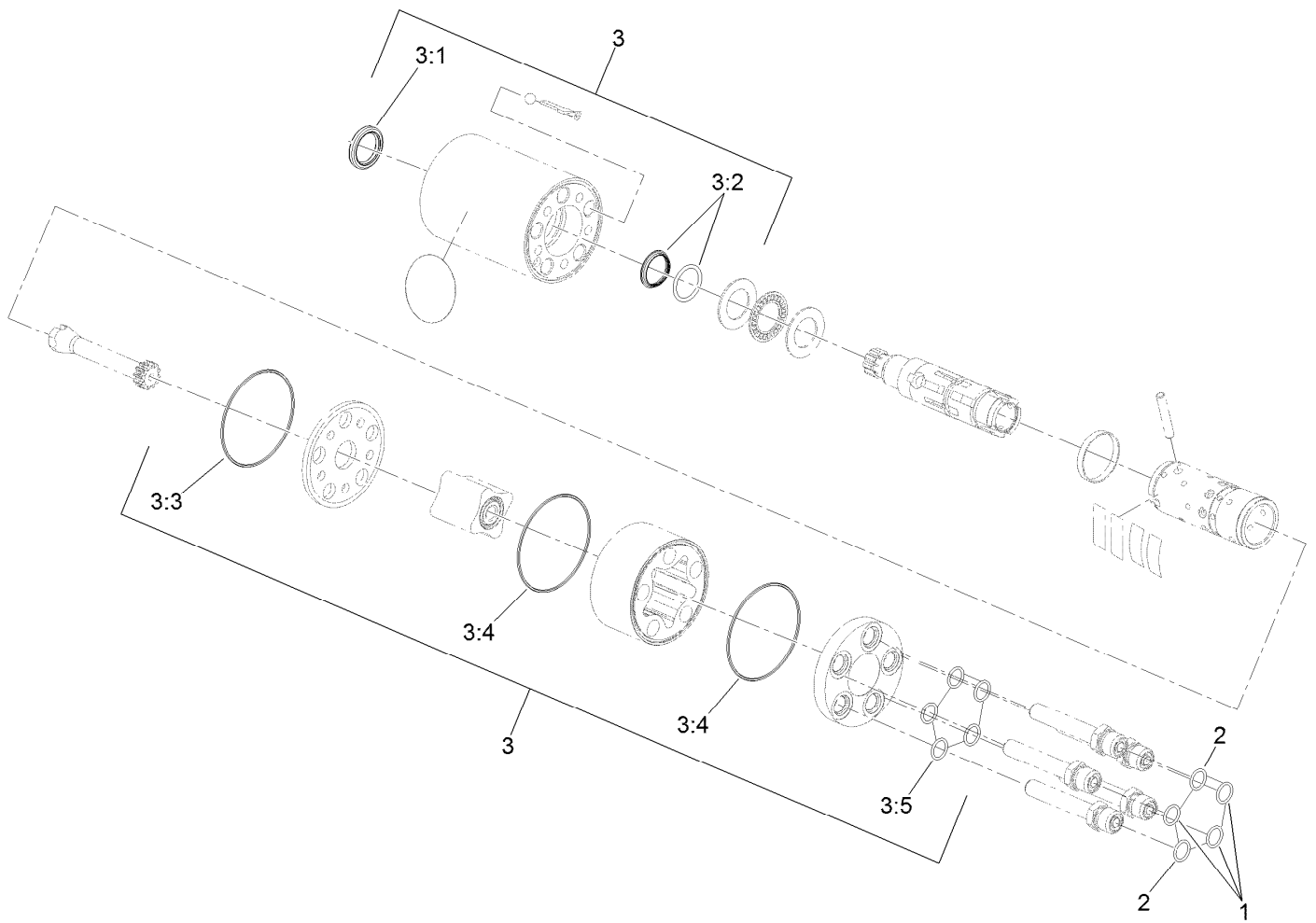
<i>Ref.</i>	<i>Part Number</i>	<i>Qty.</i>	<i>Description</i>	<i>Ref.</i>	<i>Part Number</i>	<i>Qty.</i>	<i>Description</i>
1	121-6545	1	HYD Pump ASM	19	2412-129	2	Clamp-Hose
2	104-8300	4	Nut-HF, NI	20	353-987	1	Fitting-Elbow, 90
3	138-6100	1	Steering Control Unit	20:1	237-81	1	O-Ring
4	98-1471	1	Wheel-Steering	22	108-5675	2	Hydraulic Hose ASM
4:1	98-1468	1	Cover-Wheel, Steering	23	127-3987	1	Hose ASM
5		2	Fitting-Straight ●	24	125-0952	1	Hose-Suction
5:1	237-22	1	O-Ring	25	125-0949	2	Hydraulic Hose ASM
5:2	237-42	1	O-Ring	26	340-70	2	Nut-Lock
6	93-9151	1	Fitting-HYD	27	125-4058	1	Hydraulic Tube ASM
6:1	237-30	2	O-Ring	27:1	237-22	1	O-Ring
7	98-1459	1	Decal	28	125-4059	1	Hydraulic Tube ASM
8	3256-27	1	Washer-Flat	28:1	237-22	1	O-Ring
9	3296-33	1	Nut-Lock, NI	29	114-7702	1	Hose-HYD
10	33104-020	4	Screw-HHF	30	3234-4	2	Screw-HHF
11	87-8780	1	Head-Filter	31	3230-3	2	Screw-CARR
12	54-0110	1	Filter-Oil, Transmission	32	147-6678	1	Strainer-Hydraulic
13	340-109	1	Fitting-Tee	32:1	237-101	1	O-Ring
13:1	237-79	1	O-Ring	33	119-1418	2	Plate-Clamp, Short
13:2	237-30	2	O-Ring	34	115-1794	1	Screw-HHF
14	340-4	1	Fitting-Straight	35	94-2413	1	Nut-U
14:1	237-30	1	O-Ring	36	94-5961	1	Hose
14:2	237-79	1	O-Ring	38	120-2061	1	Hose-HYD
15	340-132	2	Fitting-Elbow, 90 DEG	40	106-6713	1	Cover-Lines, Steering
15:1	237-78	1	O-Ring	41	3290-379	4	Tie-Cable
15:2	237-21	1	O-Ring	42	110-9380	1	Screw-HWH
16	340-127	1	Nut-Bulkhead	43	2412-81	1	Clamp-R
17	56-7973	6	Clamp-Tube	44	136-2313-03	1	Mount-Filter
18	93-6848	1	Fitting-Elbow 45	45	3234-29	2	Screw-HHF
18:1	237-79	1	O-Ring				

● Not serviced separately



Hydraulic Pump Assembly No. 121-6545

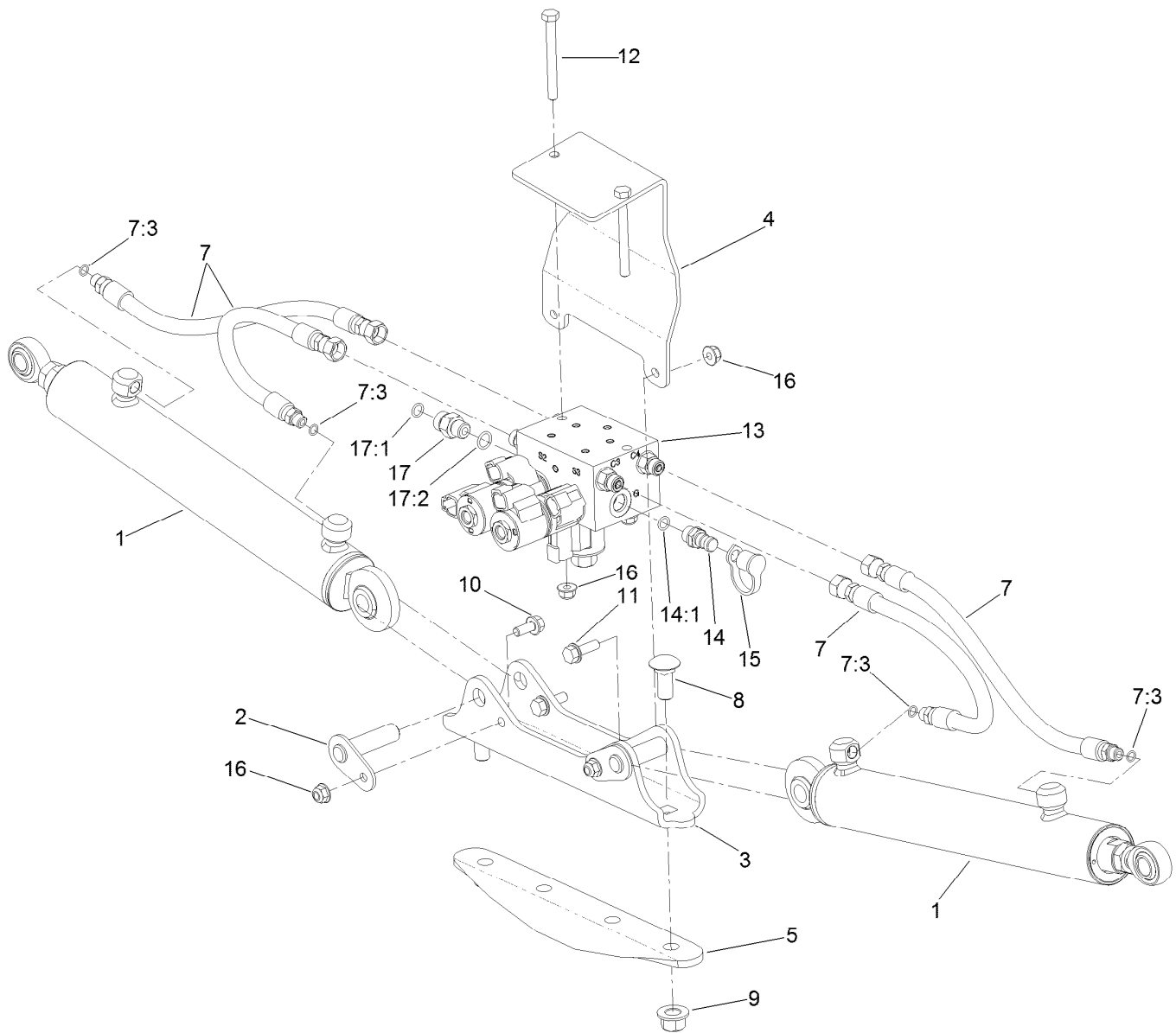
<i>Ref.</i>	<i>Part Number</i>	<i>Qty.</i>	<i>Description</i>
1	125-8147	1	Key, Square
2	125-8148	1	Seal Kit



Steering Valve Assembly No. 138-6100

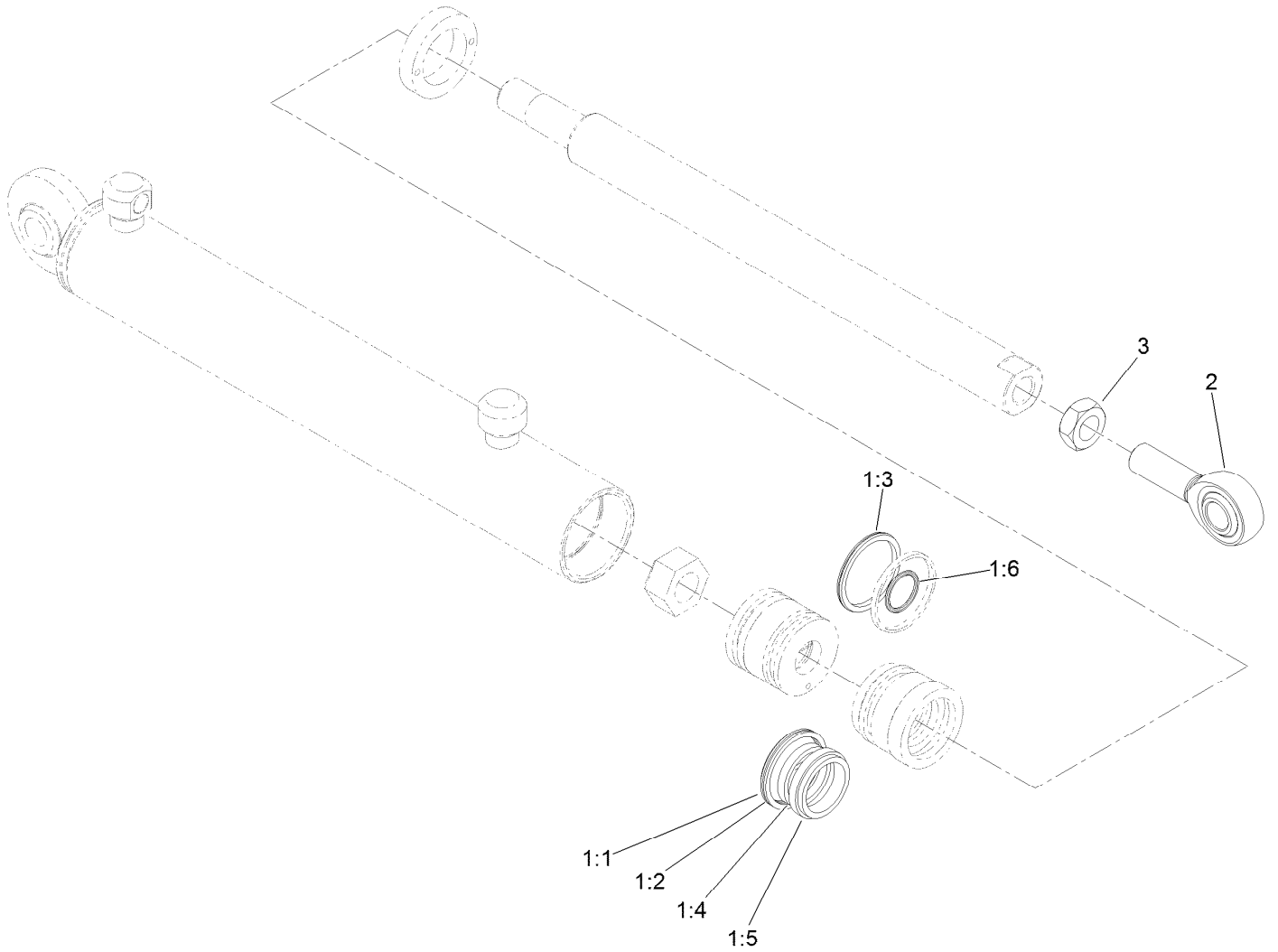
Ref.	Part Number	Qty.	Description
1	237-21	3	O-Ring
2	237-22	2	O-Ring
3	106-6716	1	Seal Kit
3:1		1	Ring-Seal, Dust ●
3:2		1	Seal-Shaft ●
3:3		1	O-Ring ●
3:4		2	O-Ring ●
3:5		5	O-Ring ●

● Not serviced separately



Boom Lift Hydraulic Assembly

Ref.	Part Number	Qty.	Description	Ref.	Part Number	Qty.	Description
1	117-0701	2	Hydraulic Cylinder ASM	11	3234-29	2	Screw-HHF
2	112-7884	2	Pin-Pivot	12	322-14	2	Screw-HH
3	119-4856-03	1	Plate-Mount, Cylinders	13	136-2400	1	On-Off Boom Lift Valve ASM
4	130-8201-03	1	Mount-Valve	14	59-7410	1	Fitting-Diagnostic
5	131-0297-03	1	Plate-Stiffener, Boom	14:1	237-42	1	O-Ring
7	119-4859	4	Hose ASM	15	354-79	1	Cap-Dust
7:3	237-78	1	O-Ring	16	104-8300	6	Nut-HF, NI
8	110-5067	2	Screw-CARR	17	340-2	2	Fitting-Straight
9	99-5107	2	Nut-HF Nylock	17:1	237-22	1	O-Ring
10	110-5053	2	Screw-HHF	17:2	237-42	1	O-Ring



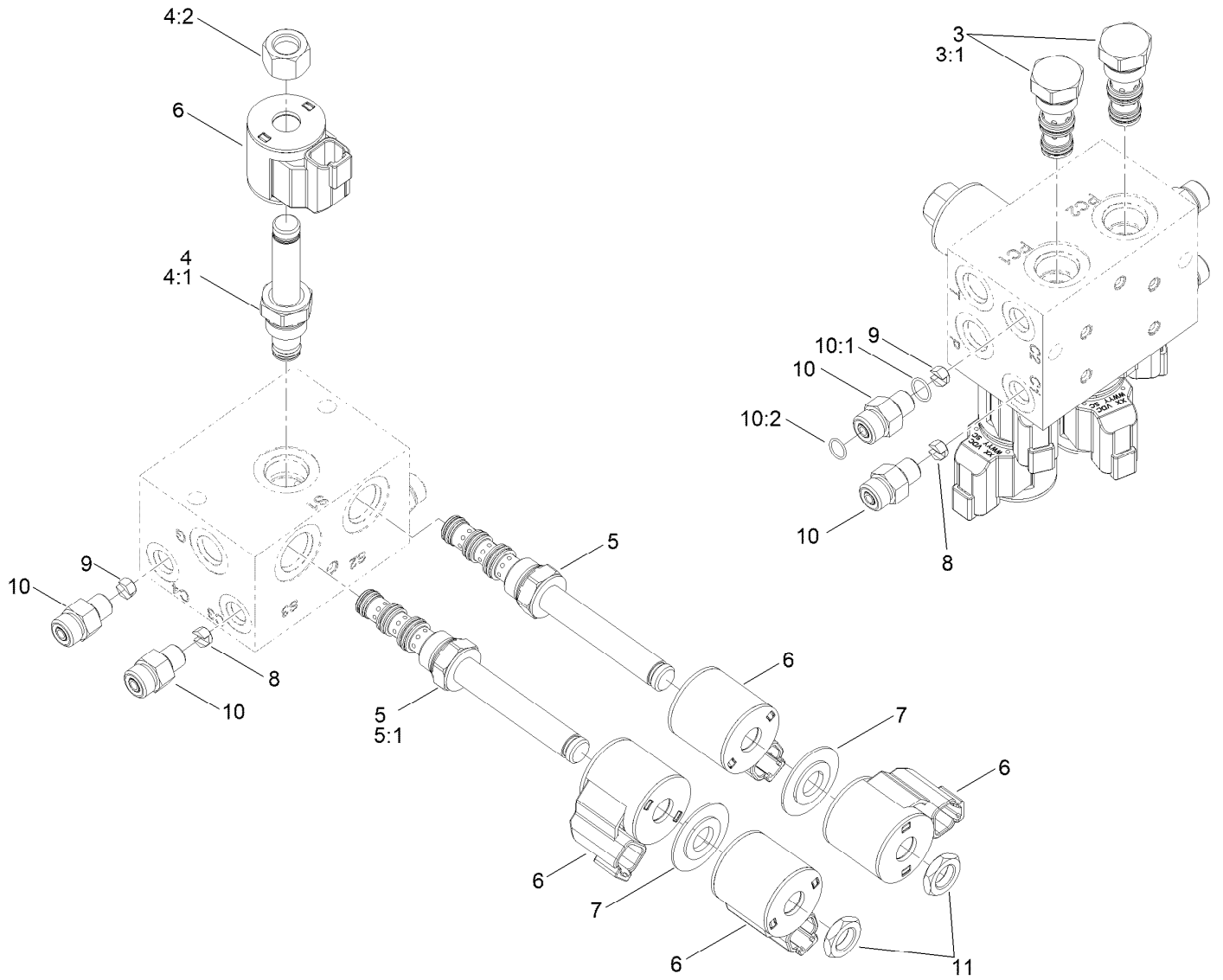
Hydraulic Cylinder Assembly No. 117-0701

Ref.	Part Number	Qty.	Description
1	119-8026	1	Seal Kit ●
1:1		1	O-Ring ■
1:2		1	Ring-Backup ■
1:3		1	Bp Seal ■
1:4		1	Bs Seal ■
1:5		1	Dust Seal ■
1:6		1	O-Ring ■
2	119-8027	1	Rod End
3	3220-6	1	Nut-Jam

● Not illustrated

■ Not serviced separately

On-Off Boom Lift Valve Assembly No. 136-2400

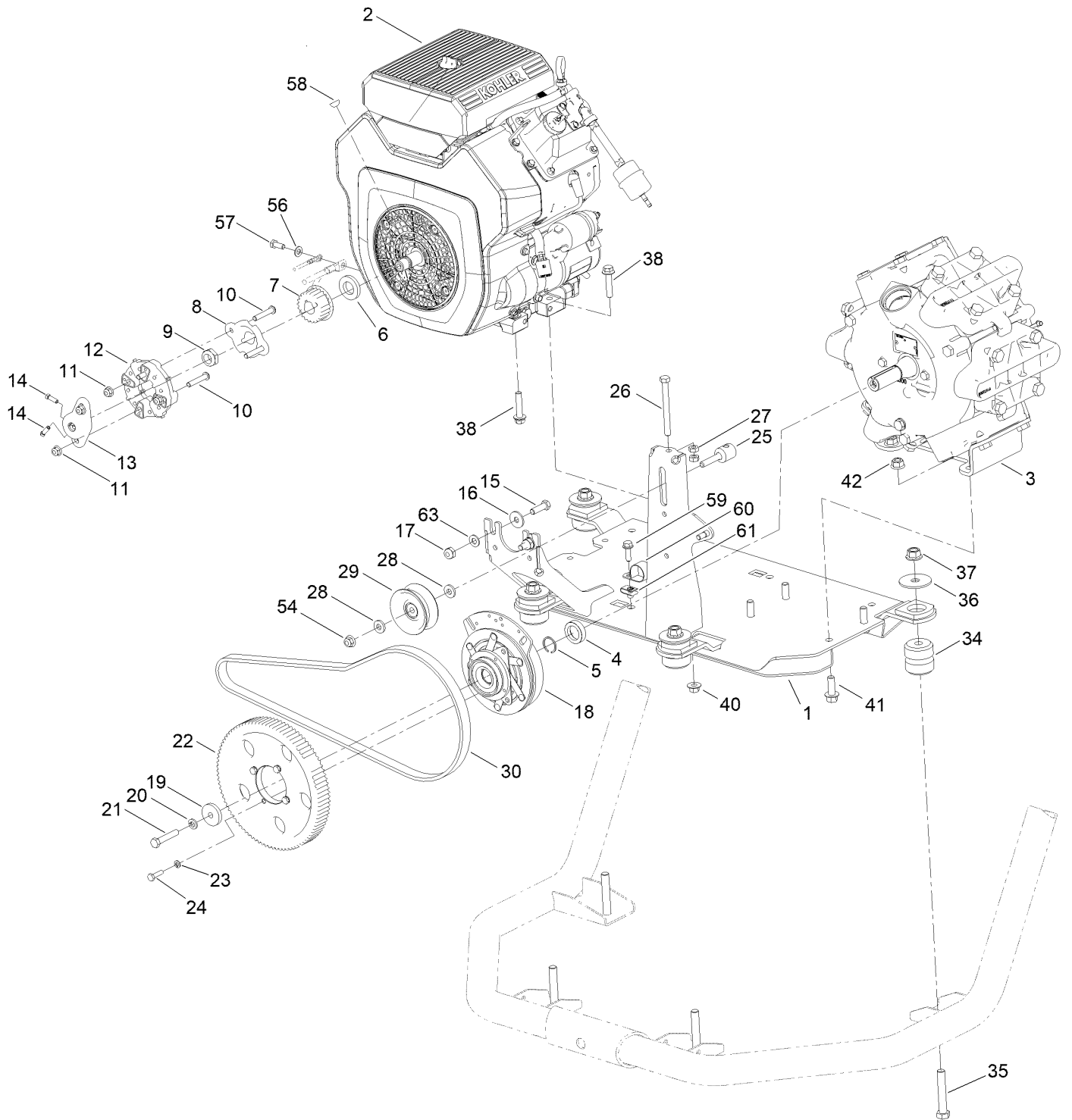


On-Off Boom Lift Valve Assembly No. 136-2400 (continued)

<i>Ref.</i>	<i>Part Number</i>	<i>Qty.</i>	<i>Description</i>	<i>Ref.</i>	<i>Part Number</i>	<i>Qty.</i>	<i>Description</i>
3	136-2430	2	Valve-Check, Po	7	120-2586	2	Spacer-Coil
3:1	120-0886	1	Seal Kit	8	110-8903	2	Orifice-Control, Flow (0.055)
4	107-7517	1	Valve-Solenoid	9	125-8849	2	Orifice-Flow Control
4:1	105-9156	1	Seal Kit	10	340-92	4	Fitting-Straight
4:2	107-7812	1	Nut-Solenoid	10:1	237-78	1	O-Ring
5	120-2587	2	Valve-Solenoid	10:2	237-21	1	O-Ring
5:1	112-6520	1	Seal Kit ●	11	110-2634	2	Nut-Coil
6	119-8036	5	Coil				

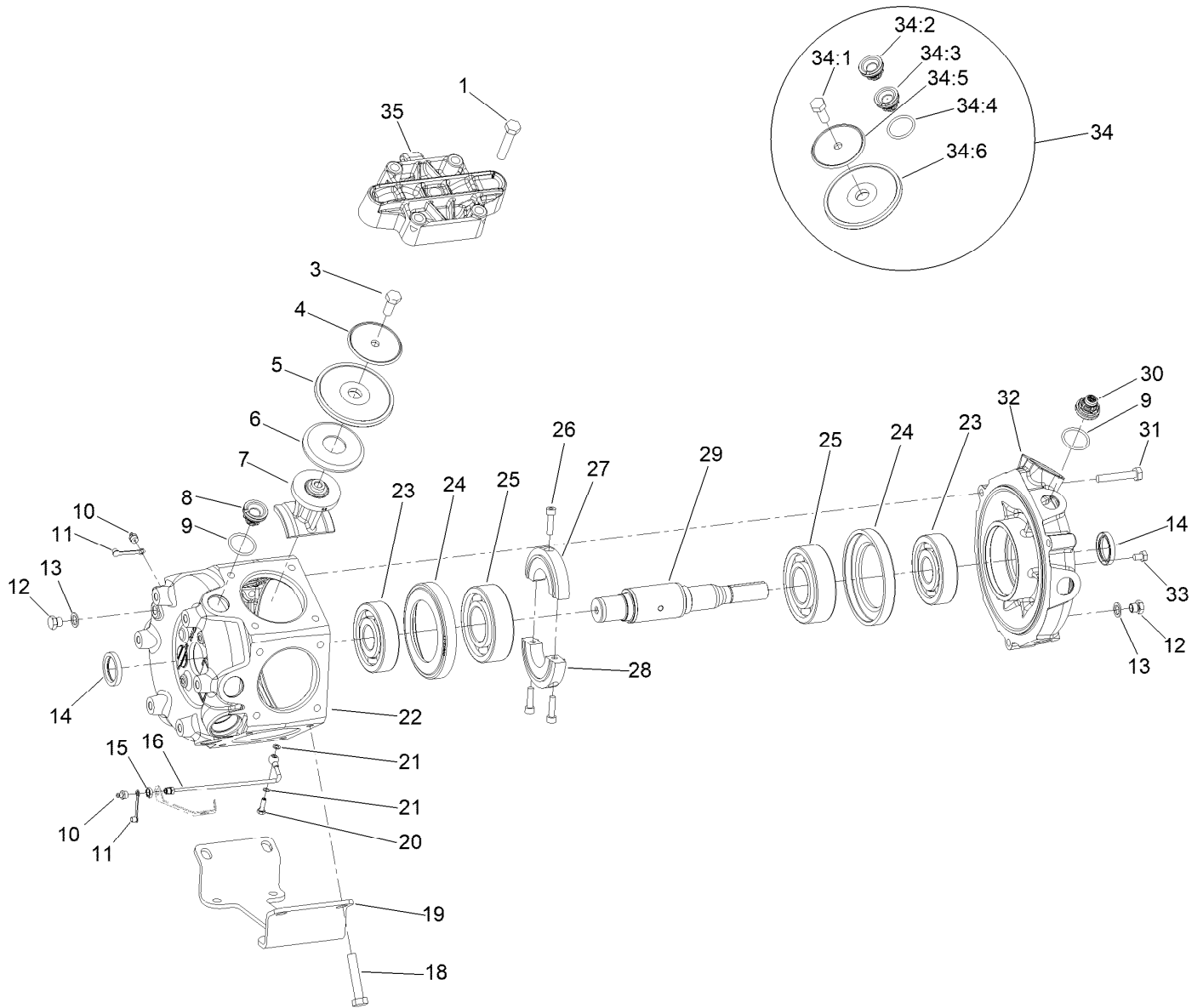
● Not illustrated

Engine Mounting Assembly



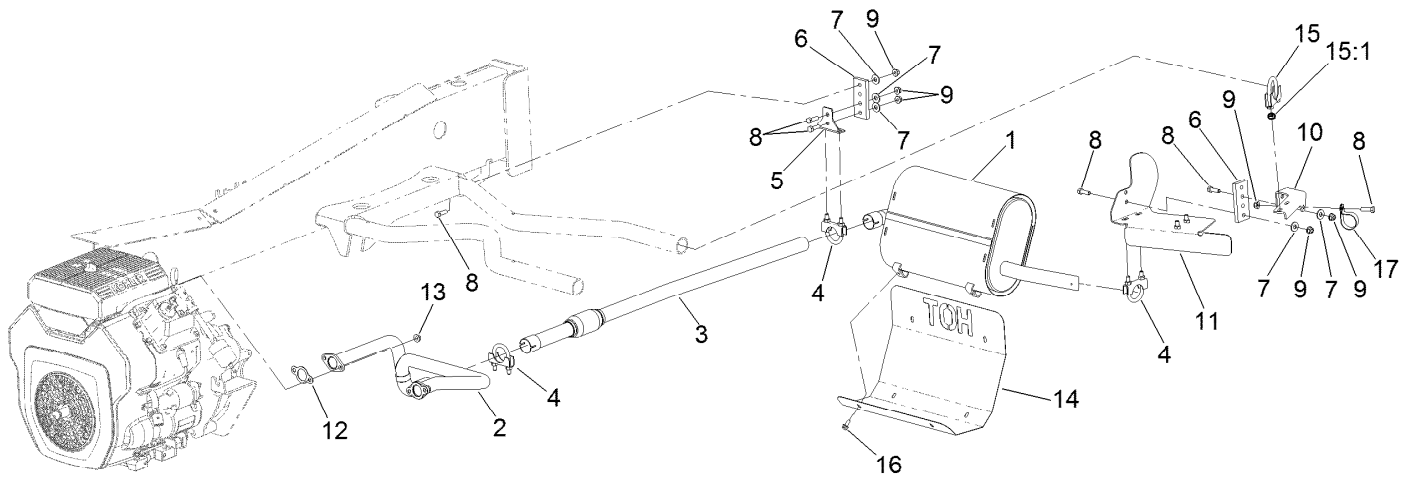
Engine Mounting Assembly (continued)

<i>Ref.</i>	<i>Part Number</i>	<i>Qty.</i>	<i>Description</i>	<i>Ref.</i>	<i>Part Number</i>	<i>Qty.</i>	<i>Description</i>
1	121-6511-03	1	Mount-Engine	24	321-6	4	Screw-HH
2	161-4100	1	Engine-Kohler, Ech749	25	125-0605	1	Shaft-Idler
3	145-3381	1	Pump ASM	26	107-4026	1	Screw-HH
4	108-3301	1	Retainer-Spacer	27	3217-7	2	Nut-Hex
5	108-3302	1	Ring-Snap	28	43-0940	2	Spacer
6	104-1105	1	Spacer-Support, Deck	29	1-633167	1	Sheave-Idler
7	125-8017	1	Sprocket-22 Tooth	30	125-0765	1	Belt-Synchronous
8	125-4092	1	Adaptor-Sprocket, Flanged	34	106-7865	4	Mount-Engine
9	3296-15	1	Nut-Lock, NI	35	325-12	4	Screw-HH
10	125-7977	4	Screw-HSBH	36	41985	4	Washer-Special
11	104-8300	4	Nut-HF, NI	37	99-5107	4	Nut-HF Nylock
12	119-0652	1	Coupler-Rubber	38	3234-19	4	Screw-HHF
13	115-2169	1	Hub-Pump	40	32128-43	4	Nut-Flange
14	3241-6	2	Screw-SQH	41	3234-15	4	Screw-HHF
15	323-7	2	Screw-HH	42	114-8417	4	Nut-HF, NI
16	52-2861	2	Washer	54	104-8301	1	Nut-HF, NI
17	3296-44	2	Nut-Lock, NI	56	3256-23	1	Washer-Plain
18	120-7625	1	Clutch-Electric	57	33114-020	1	Screw-HH
19	125-0604	1	Spacer-Clutch	58	3257-5	1	Key-Woodruff
20	3253-5	1	Washer-Lock	59	3234-17	1	Screw-HHF
21	3211-46	1	Screw-HH	60	2412-126	1	R-Clamp
22	125-7982	1	Sprocket-90 Tooth	61	115-7721	1	Nut-Clip, U
23	3253-3	4	Washer-Lock	63	3256-24	2	Washer-Plain



Pump Assembly No. 145-3381

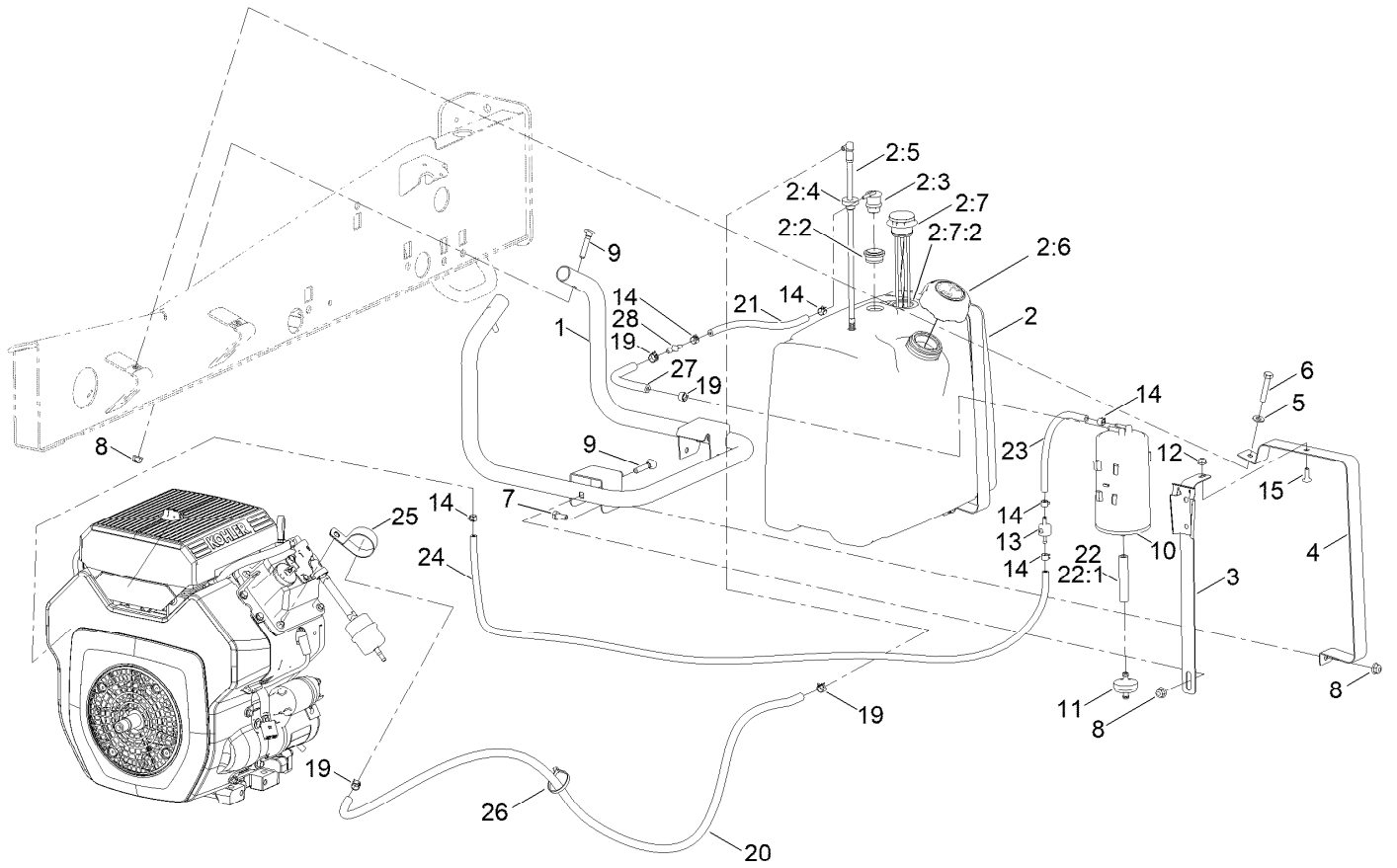
Ref.	Part Number	Qty.	Description	Ref.	Part Number	Qty.	Description
1	120-0773	20	Bolt-Hex	23	120-0788	2	Bearing-Ball
3	120-0777	6	Bolt-Hex	24	133-2820	2	Spacer-Metal
4	120-0778	6	Disc-Diaphragm	25	120-0791	2	Bearing-Ball
5	120-0779	6	Diaphragm	26	125-8146	3	Bolt-Allen
6	120-0780	6	Disc-Backing, Diaphragm	27	133-2828	1	Counter Weight
7	125-8141	6	Rod-Connectiing	28	133-2829	1	Counter Weight
8	99-0861	10	Valve-Pump	29	133-2826	1	Shaft - Crank
9	100-6651	12	O-Ring	30	120-0793	2	Valve W/Hole
10	133-2879	2	Nipple-Grease	31	120-0794	3	Bolt-Hex
11	133-2880	2	Cap-Grease Nipple, Yellow	32	133-2822	1	Housing-Pump, Front
12	120-0785	2	Plug	33	120-0784	4	Bolt-Hex
13	120-0786	2	Seal	34	120-0796	1	Pump Kit
14	120-0783	2	Seal-Oil	34:1	120-0777	6	Bolt-Hex
15	133-2878	1	Nut	34:2	99-0861	10	Valve-Pump
16	133-2877	1	Tube-Banjo, Long	34:3	120-0793	2	Valve W/Hole
18	120-0774	4	Bolt-Hex	34:4	100-6651	12	O-Ring
19	120-0787	1	Foot-Pump	34:5	120-0778	6	Disc-Diaphragm
20	133-2830	1	Bolt-Banjo	34:6	120-0779	6	Diaphragm
21	136-2251	2	Gasket	35	145-3399	1	Pump Head Kit
22	133-2821	1	Housing-Pump, Main				



Exhaust Assembly

<i>Ref.</i>	<i>Part Number</i>	<i>Qty.</i>	<i>Description</i>	<i>Ref.</i>	<i>Part Number</i>	<i>Qty.</i>	<i>Description</i>
1	127-9736	1	Muffler-Venturi	10	131-3286	1	Mount-Muffler
2	163-7081	1	Manifold-Exhaust	11	130-7143	1	Shield-Muffler
3	163-7082	1	Tail-Exhaust	12	110-6697	2	Gasket-Exhaust
4	2112-11	4	Clamp-Muffler	13	92-6780	4	Nut-HF
5	130-7101	1	Bracket-Hanger, Tailpipe	14	127-9787	1	Shield-Heat, Muffler
6	117-0744	2	Hanger-Muffler	15	2112-9	1	Clamp
7	3256-3	7	Washer-Flat	15:1	32128-20	2	Nut-HF
8	322-5	8	Screw-HH	16	3234-13	6	Screw-HHF
9	104-8300	8	Nut-HF, NI	17	2412-74	1	R-Clamp

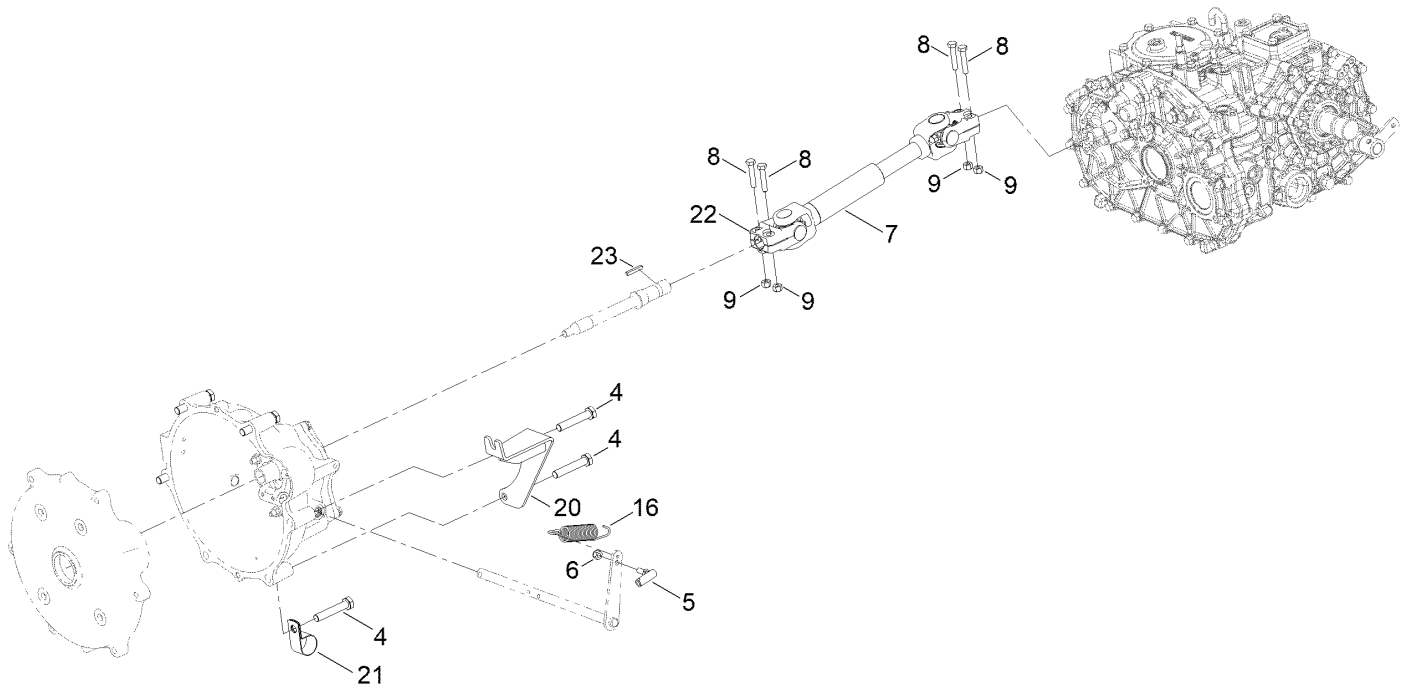
Fuel Tank, Filter and Line Assembly



Fuel Tank, Filter and Line Assembly (continued)

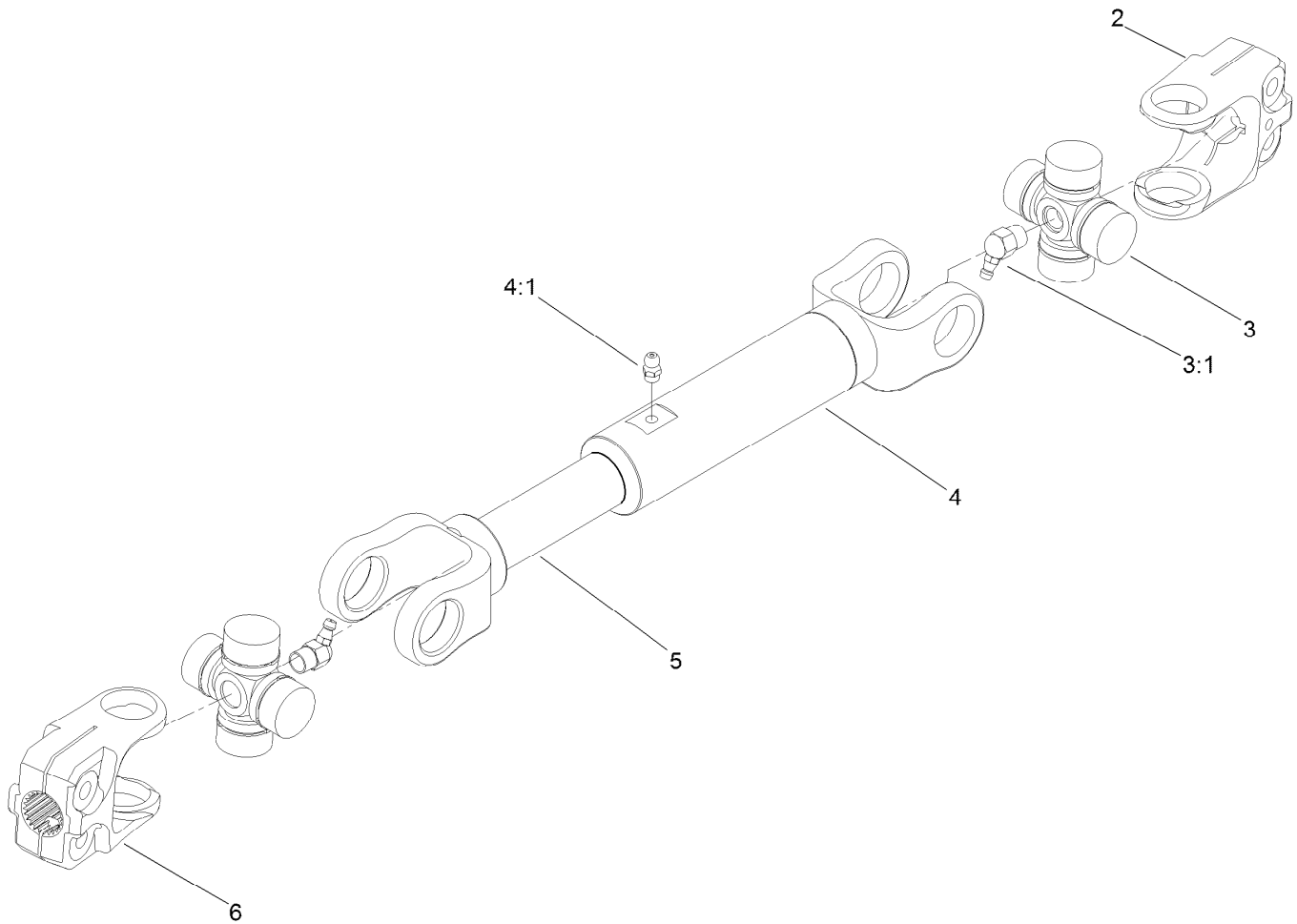
<i>Ref.</i>	<i>Part Number</i>	<i>Qty.</i>	<i>Description</i>	<i>Ref.</i>	<i>Part Number</i>	<i>Qty.</i>	<i>Description</i>
1	163-2974-03	1	Tube ASM-Fuel Tank [black]	11	115-7854	1	Filter-Fuel, Inline
2	115-9048	1	Fuel Tank ASM	12	104-7201	1	Nut-HF, NI
2:2	114-0284	1	Grommet	13	133-8499	1	Valve-Check, Vacuum
2:3	114-0285	1	Valve-Rollover	14	2412-80	8	Clamp-Hose
2:4	46-6560	1	Bushing	15	1-807512	1	Bolt-CARR
2:5	115-9044	1	Pipe-Stand	19	115-7871	2	Hose-Fuel
2:6	137-4127	1	Cap-Fuel	20	163-2903	1	Hose-Fuel
2:7	119-0509	1	Gauge ASM	21	117-9568	1	Hose-Fuel
2:7:2	119-0508	1	Seal	22	163-2982	1	Hose-Fuel ASM
3	125-8129-03	1	Strap-Cannister, Carbon	22:1	127-0578	1	Fitting-STR
4	125-0853	2	Strap-Fuel Tank	23	109-0284	1	Hose-Fuel
5	33094-00	2	Washer-Plain	24	109-0273	1	Hose-Fuel
6	322-41	2	Bolt-Hex, TAP	25	116-9189	2	Sleeve-Thermal
7	322-3	2	Screw-HH	26	109-0306	1	Hose-Fuel
8	104-8300	5	Nut-HF, NI	27	3290-378	1	Tie-Cable
9	17-9420	3	Screw-Handle	28	121-2573	1	Fitting-Straight
10	127-8685	1	Canister-Carbon				

Driveshaft Connection Assembly



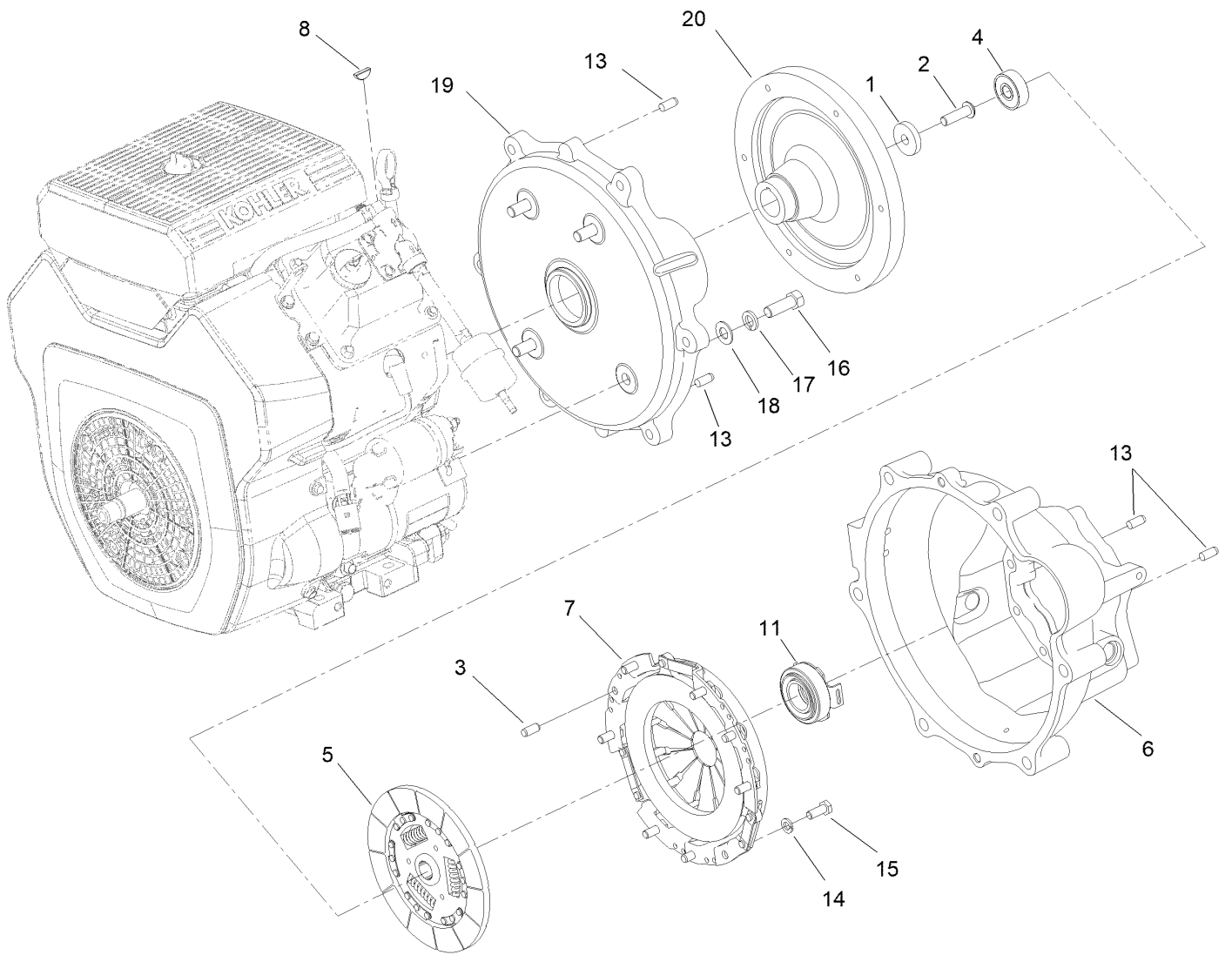
Driveshaft Connection Assembly (continued)

<i>Ref.</i>	<i>Part Number</i>	<i>Qty.</i>	<i>Description</i>	<i>Ref.</i>	<i>Part Number</i>	<i>Qty.</i>	<i>Description</i>
4	107-7983	6	Screw-HH	16	68-9950	1	Spring-Traction
5	2411-33	1	Balljoint-RH (W/Grommet)	20	163-2958-0P	1	Clutch-Cable Mount, ASM [primed]
6	3296-4	1	Nut-Lock	21	100-1424	1	Clamp-R
7	119-6040	1	Driveshaft ASM	22	3245-32	1	Screw-HSH
8	322-8	4	Screw-HH	23	92-0049	1	Key-Square
9	3296-29	4	Nut-Lock, NI				



Driveshaft Assembly No. 119-6040

<i>Ref.</i>	<i>Part Number</i>	<i>Qty.</i>	<i>Description</i>
2	100-8633	1	Yoke-Keyed
3	54-9180	2	U-Joint Kit
3:1	62-3820	1	Fitting-Grease
4	110-4706	1	Tube-Yoke, Slip
4:1	302-58	1	Fitting-Straight
5	110-4705	1	Shaft-Yoke, Slip
6	100-8632	1	Yoke-Splined

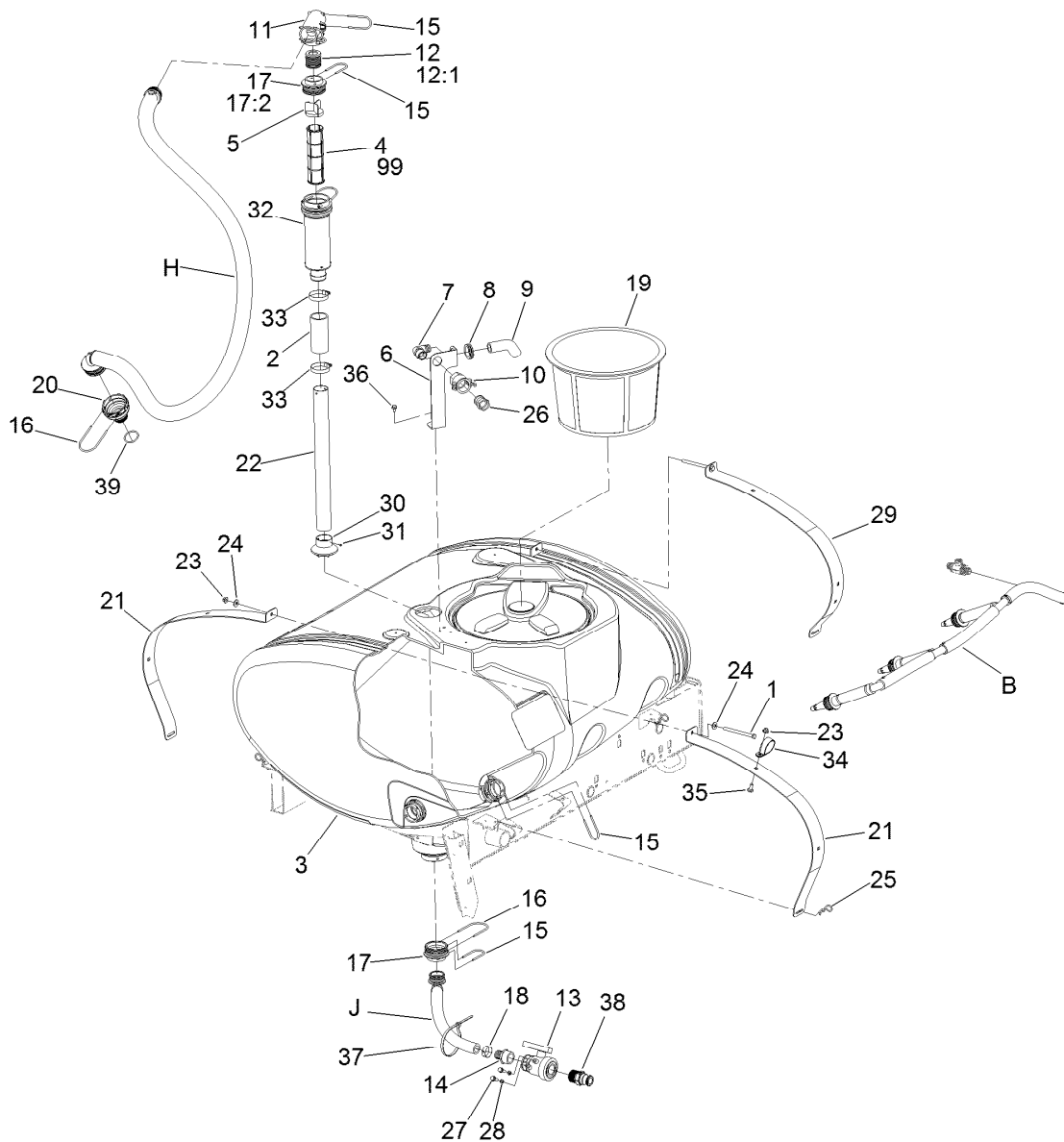


Clutch and Bell Housing Assembly

Ref.	Part Number	Qty.	Description
1	87-6080	1	Washer
2	3274-1	1	Screw-HSH
3	42-7160	3	Pin
4	87-6460	1	Bearing-Ball (W/Seal)
5	98-2959	1	Disc-Clutch
6		1	Bell Housing ASM ●
7	98-2958	1	Cover-Clutch
8	3257-5	1	Key-Woodruff
11	110-2538	1	Bearing-Release, Clutch

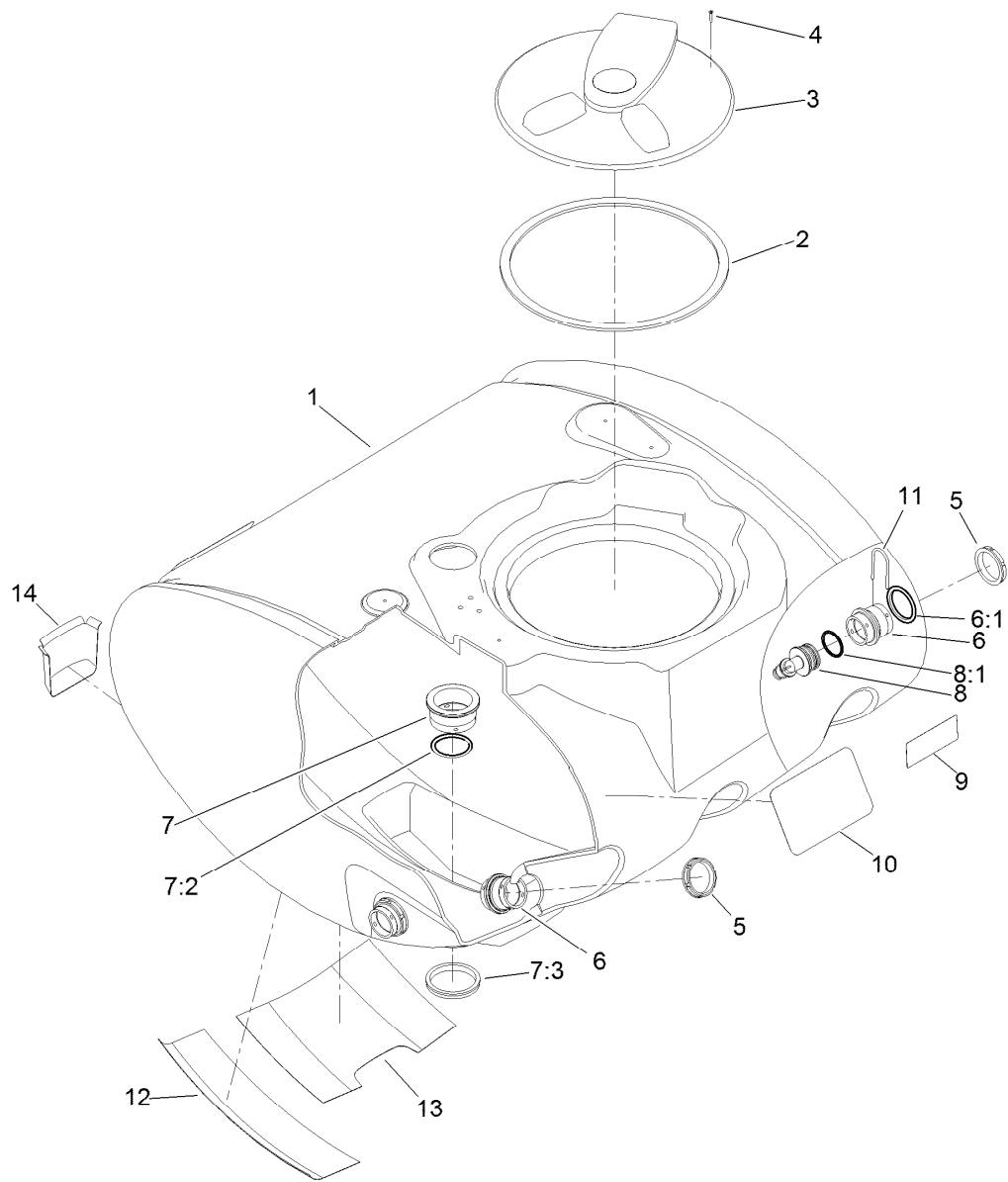
Ref.	Part Number	Qty.	Description
13	87-1910	2	Pin-Dowel
14	3253-4	6	Washer-Lock
15	33114-020	6	Screw-HH
16	324-5	4	Screw-HH
17	3253-6	4	Washer-Lock
18	3256-25	4	Washer-Flat
19	107-7991	1	Adapter-Clutch
20	87-6480	1	Flywheel

● Not serviced separately



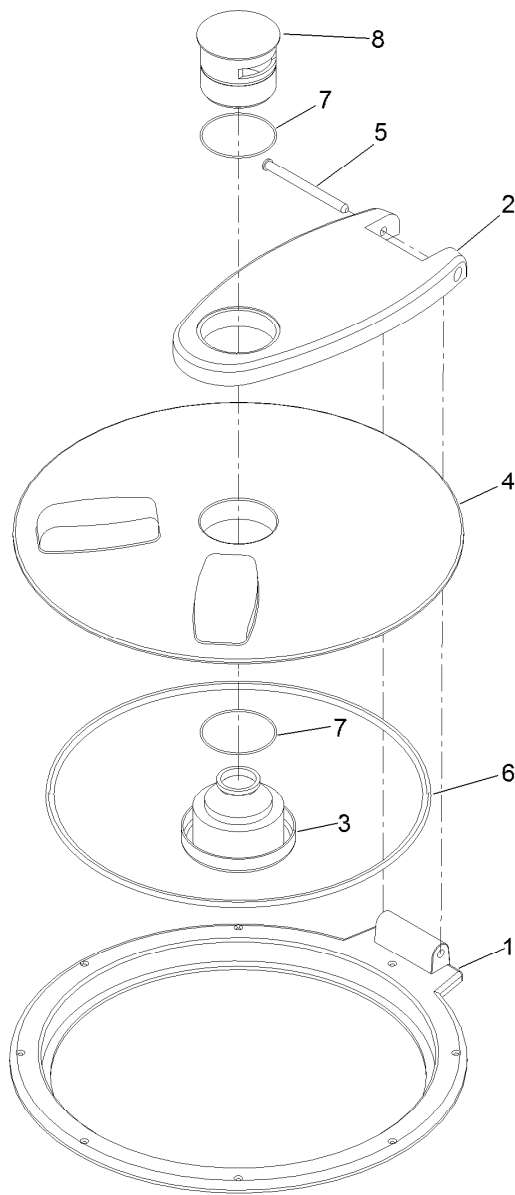
Spray Tank Assembly

Ref.	Part Number	Qty.	Description	Ref.	Part Number	Qty.	Description
1	323-59	2	Bolt-Cap	20	133-2883	1	Fitting
2	100-8649	1	Hose-Suction	21	121-6477-03	2	Band-Tank
3	121-6491	1	Tank ASM	22	125-7997	1	Tube-Suction
4	100-8642	1	Screen-Suction	23	104-8301	3	Nut-HF, NI
5	100-8641	1	Vane-Screen	24	3256-4	4	Washer-Flat
6	110-5082-03	1	Bracket-Anti Siphon	25	3290-343	4	Pin-Hair
7	41140	1	Elbow	26	41316	1	Adapter-Quick
8	110-5090	1	Grommet	27	3234-29	2	Screw-HHF
9	110-5088	1	Hose-Fill	28	3296-47	2	Nut-Lock,NI
10	100-6779	1	Coupling-Female	29	125-0987-03	2	Band-Tank, Rear
11	100-6704	1	Tee	30	100-6714	1	Foot-Tube, Suction
12	106-4947	1	Connector	31	108-3270	1	Screw-TAP
12:1	100-8637	2	O-Ring	32	130-7096	1	Filter ASM
13	108-0069	1	Valve-Ball	33	2412-130	2	Clamp-Hose
14	110-5224	1	Fitting-Barbed, Straight	34	114-9566	1	Clamp-R
15	100-8635	8	Fork	35	3231-2	1	Bolt-CARR
16	117-7996	2	Fork	36	3234-30	1	Screw-HHF
17	117-7928	2	Adapter ASM	37	1-809066	1	Cable Tie-Plastic
17:2	100-6989	1	O-Ring	38	132-7787	1	Coupler-Quick
18	2412-34	1	Clamp-Hose	39	133-2884	1	O-Ring
19	119-9419	1	Basket-Filter	99	133-0385	2	Screen-Teejet, 50 Mesh



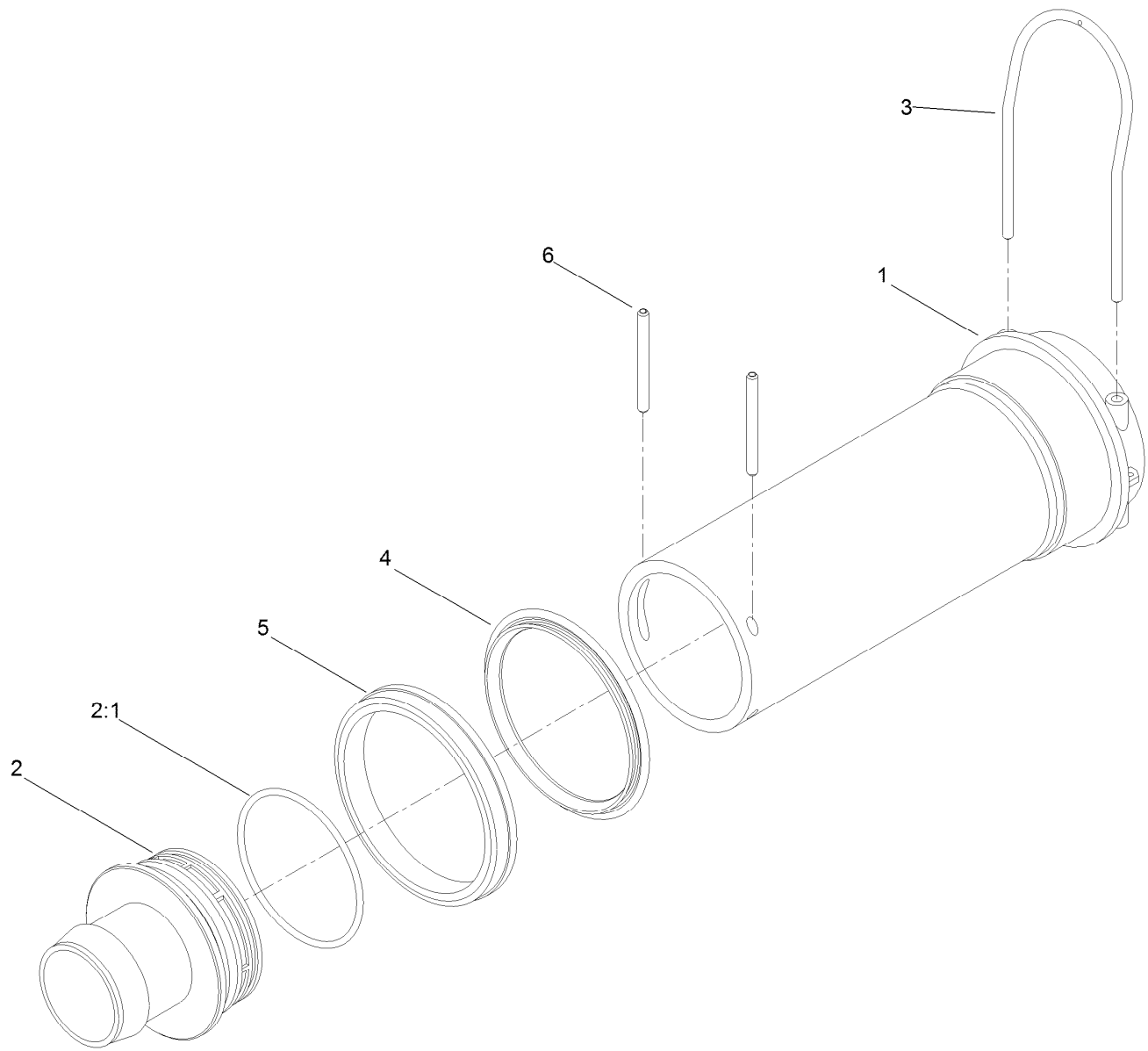
Tank Assembly No. 121-6491

<i>Ref.</i>	<i>Part Number</i>	<i>Qty.</i>	<i>Description</i>	<i>Ref.</i>	<i>Part Number</i>	<i>Qty.</i>	<i>Description</i>
1	121-6490	1	Tank-175 Gallon	7:3	100-8647	1	Nut-Bulkhead
2	119-9378	1	Gasket-Lid, Tank	8	106-4933	2	Hosebarb ASM
3	138-6283	1	Lid ASM - Sprayer Tank	8:1	100-8637	1	O-Ring
4	107-8635	8	Screw-PFH	9	120-0622	1	Decal-Warning
5	100-7051	4	Nut-Bulkhead	10	121-6486	2	Decal-Tank
6	108-3358	5	Fitting-Bulkhead	11	100-8635	2	Fork
6:1	107-2864	1	Gasket-Bulkhead	12	125-7967	1	Heat Tape-Shield, Front
7	117-7851	1	Bulkhead ASM	13	125-7968	1	Heat Tape-Shield, Side
7:2	100-8646	1	Gasket-Bulkhead	14	125-7969	1	Heat Tape-Shield, Sump



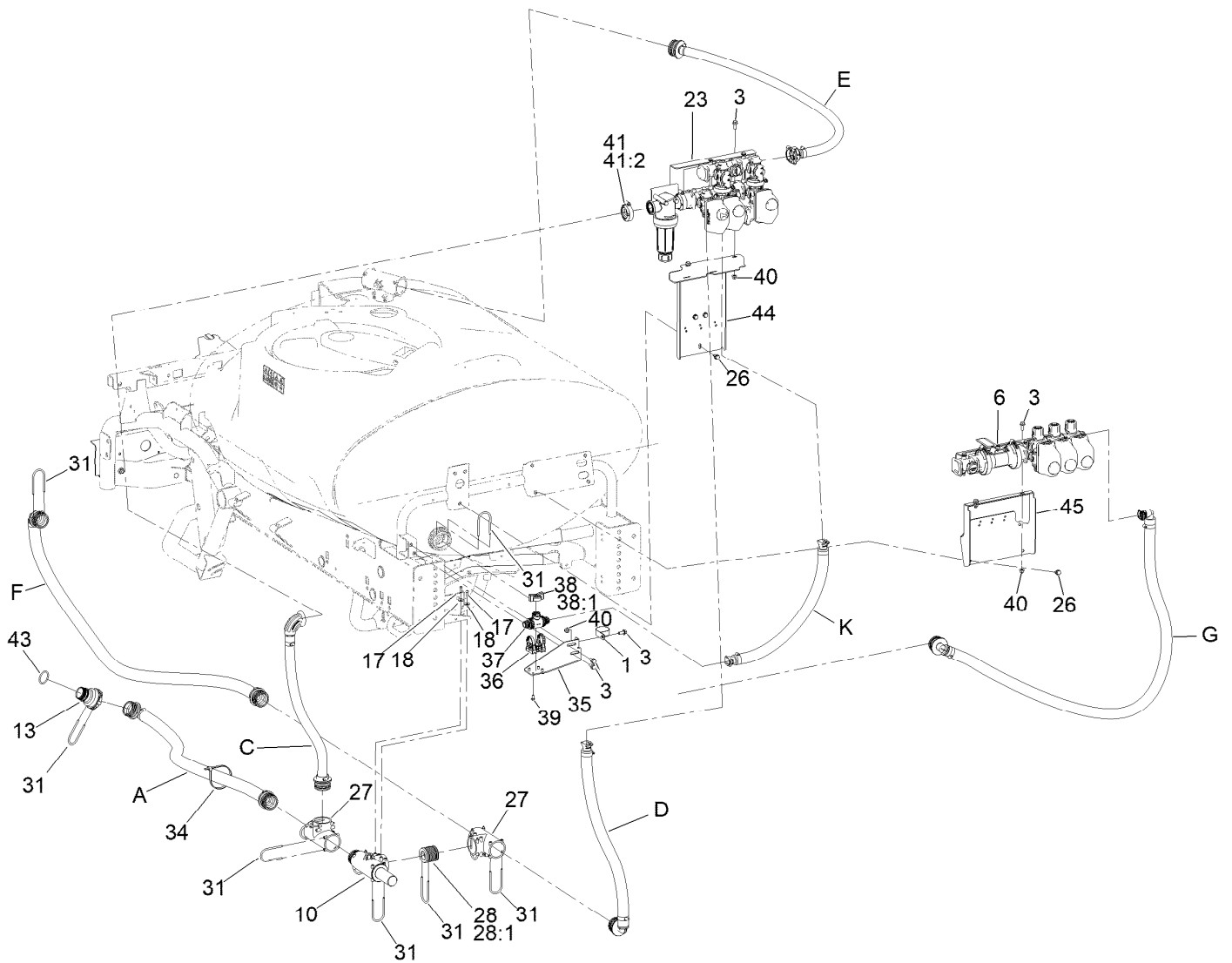
Spray Tank Lid Assembly No. 138-6283

<i>Ref.</i>	<i>Part Number</i>	<i>Qty.</i>	<i>Description</i>
1	119-9381	1	Ring-Lid
2	119-9382	1	Arm-Lid
3	119-9383	1	Vent-Lid
4	119-9384	1	Cover-Lid
5	119-9385	1	Pin-Pivot
6	138-6281	1	Seal - Tank Lid
7	119-9386	2	O-Ring
8	119-9387	1	Cap-Lid



Filter Assembly No. 130-7096

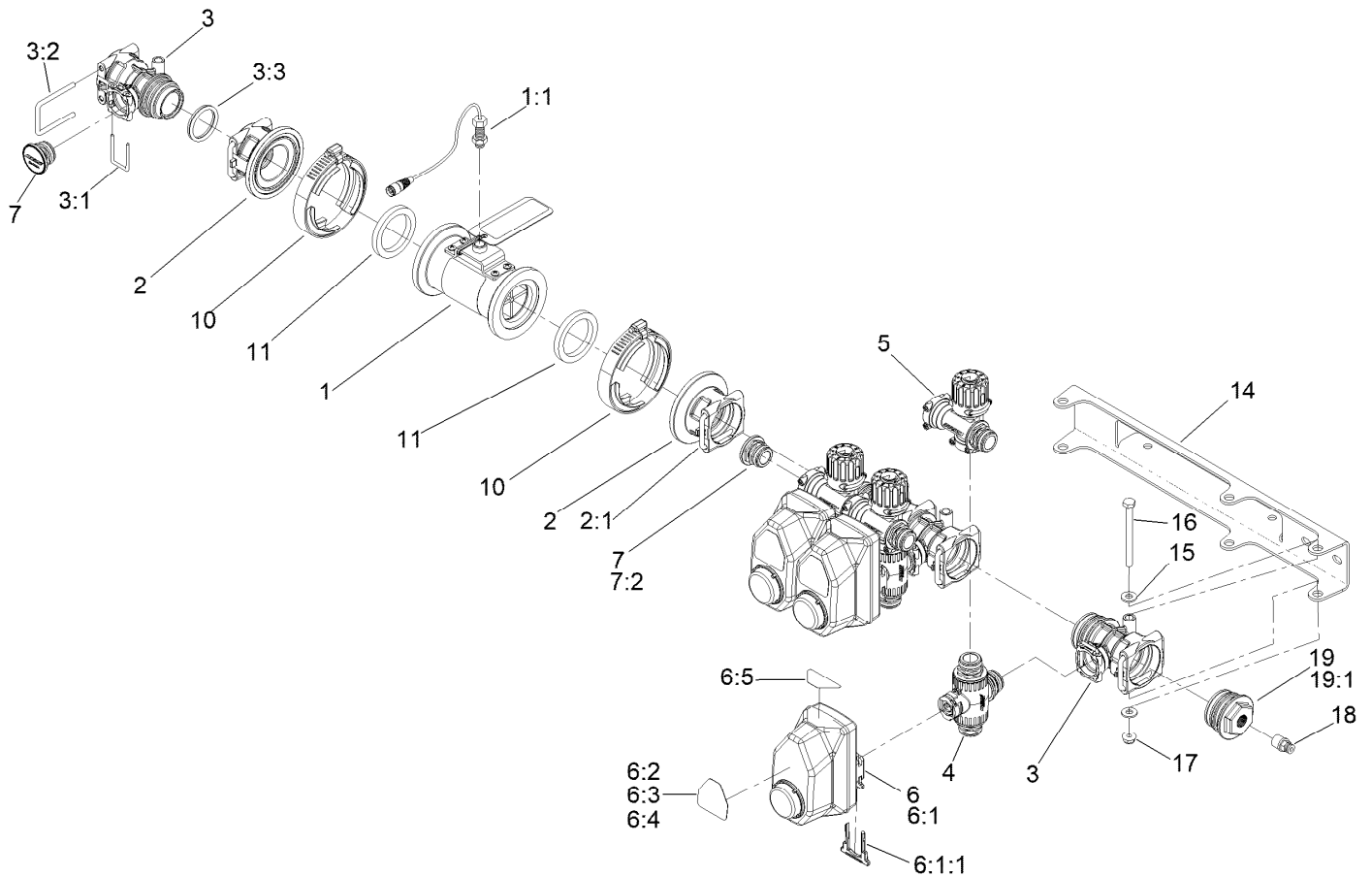
<i>Ref.</i>	<i>Part Number</i>	<i>Qty.</i>	<i>Description</i>
1	100-8643	1	Housing-Filter
2	106-4942	1	Hosebarb-Straight
2:1	100-6989	1	O-Ring
3	100-8636	1	Fork-Special
4	100-8646	1	Gasket-Bulkhead
5	100-8647	1	Nut-Bulkhead
6	100-8644	2	Pin-Expansion



Spray Tank Valve Assembly

Ref.	Part Number	Qty.	Description	Ref.	Part Number	Qty.	Description
1	2412-147	1	Clamp-R	35	132-4318-03	1	Mount-Bracket, Agitation
3	32104-32	7	Screw-HWH	36	132-4302	1	Mount-Valve
6		1	Manifold ASM, Section ●	37	131-0249	1	On/Off 2-Way Valve Kit
10	117-7874	1	Relief Valve ASM	38	131-0264	1	Agitation Throttling Handle Kit
13	133-2881	1	Fitting	38:1	131-0263	1	Screw-Handle
17	32144-32	2	Screw-PPH	39	33113-012	4	Screw-HH
18	3256-61	2	Washer-Flat	40	104-8300	5	Nut-HF, NI
23		1	Manifold ASM, Agitation ●	41	127-9829	1	Clamp/Gasket Kit
26	32104-32	7	Screw-HWH	41:2	127-1145	1	Gasket-Flange
27	100-6704	2	Tee	43	133-2882	1	O-Ring
28	106-4947	1	Connector	44	147-4658-03	1	Valve-Mount, ASM [black]
28:1	100-8637	2	O-Ring	45	147-4662-03	1	Agitation-Mount, ASM [black]
31	100-8635	12	Fork				
34	3334-945	3	Tie-Cable				

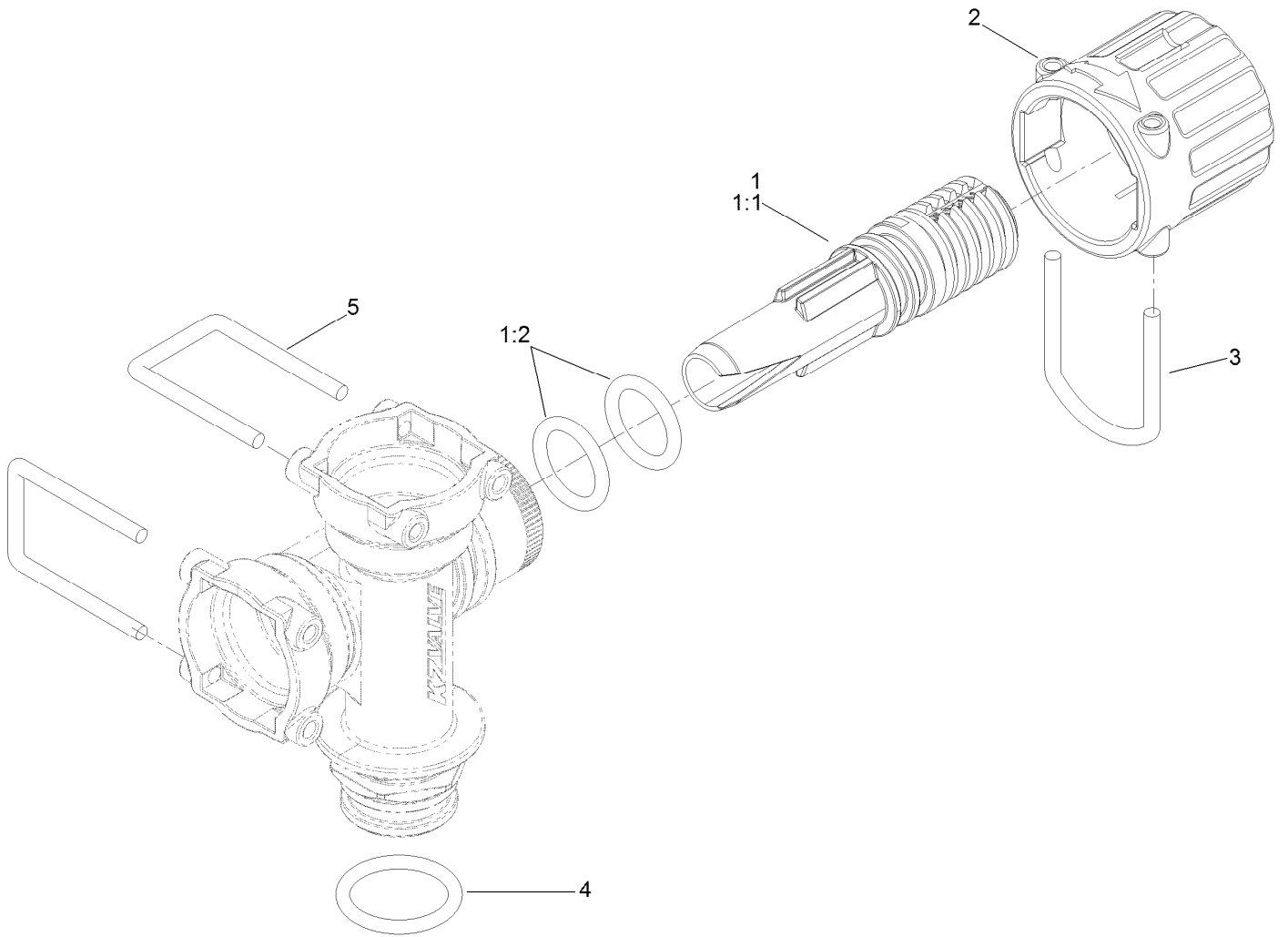
● Not serviced separately



Section Manifold Assembly

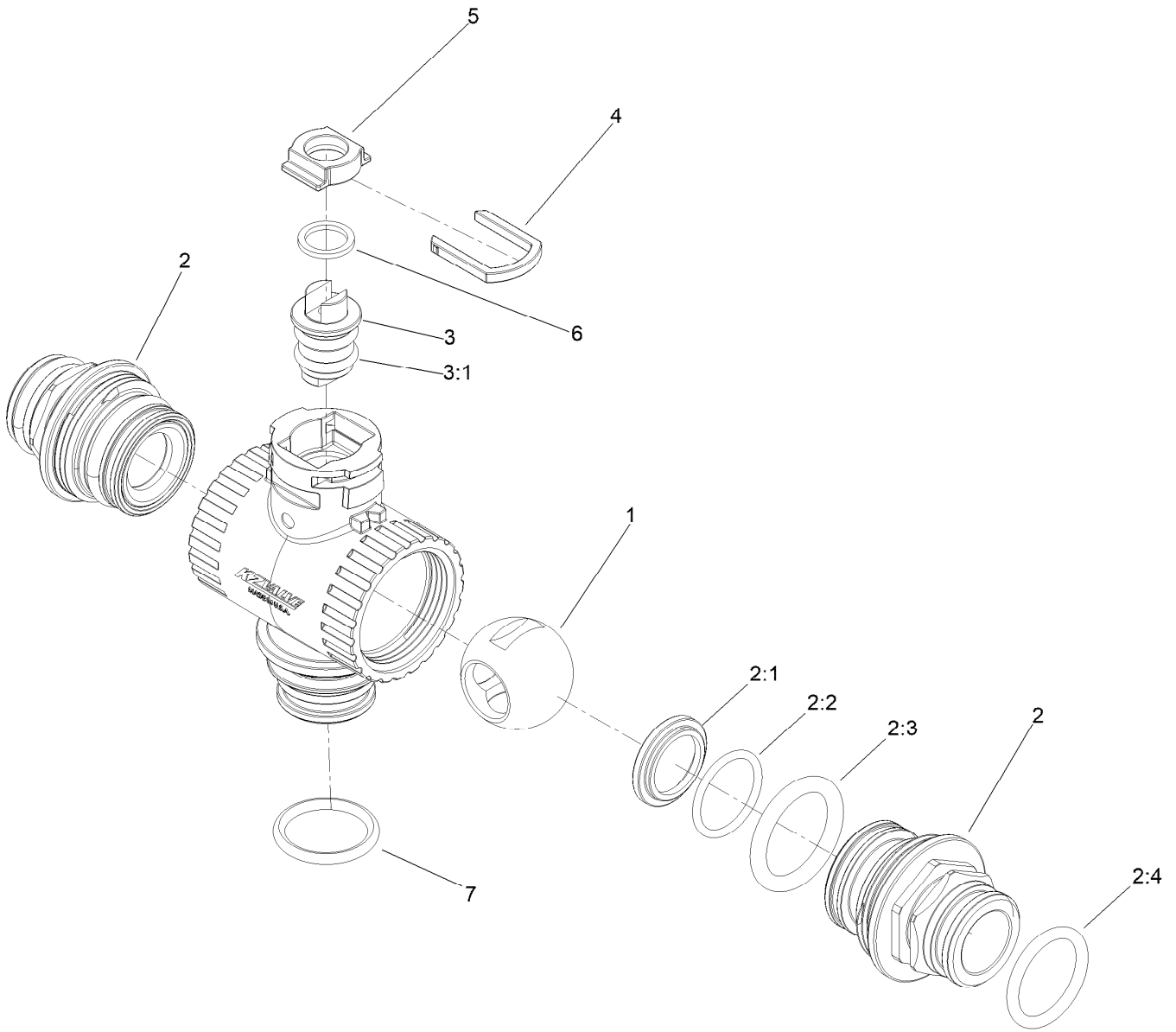
Ref.	Part Number	Qty.	Description	Ref.	Part Number	Qty.	Description
1	147-4730	1	Flow Meter ASM	6:3	127-6981	1	Decal-Valve, On/Off
1:1	147-4733	1	Sensor - Flow Meter, Fm270PIf	6:4	127-6982	1	Decal-Valve, Master Boom
2	147-3197	2	Kit Qf, Flange-M200 Female	6:5	127-6976	1	Decal-Valve, Bypass Adjust
2:1	147-3186	1	Pin-Fork, Qf Large	7	127-9810	2	Male Cap Fitting Kit
3	147-3187	4	Kit-Qf, Manifold Tee	7:2	127-1187	1	O-Ring, Endcap
3:1	147-3185	1	Pin-Fork, Qf Small	10	104-9089	2	Clamp-Screw, Worm
3:2	147-3186	1	Pin-Fork, Qf Large	11	104-9090	2	Gasket
3:3	147-3188	1	Seal-Manifold, Qf Series	14	147-4659	1	Brkt-Section
4	147-3183	3	Kit-Tx2 - 3Way Manifold	15	3256-22	6	Washer-Flat
5	127-9805	3	Bypass Valve ASM	16	321-23	3	Screw-HH
6	140-7377	3	Kit-Actuator Pi, On/Off	17	104-7201	3	Nut-HF, NI
6:1		1	Actuator - On/Off ●	18	131-3709	1	Coupler
6:1:1	130-7301	1	Hairpin-Actuator	19	161-4187	1	Kit Qf, Plug-Male W/Port
6:2	127-6979	1	Decal-Valve, Agitation	19:1	147-3188	1	Seal-Manifold, Qf Series

● Not serviced separately



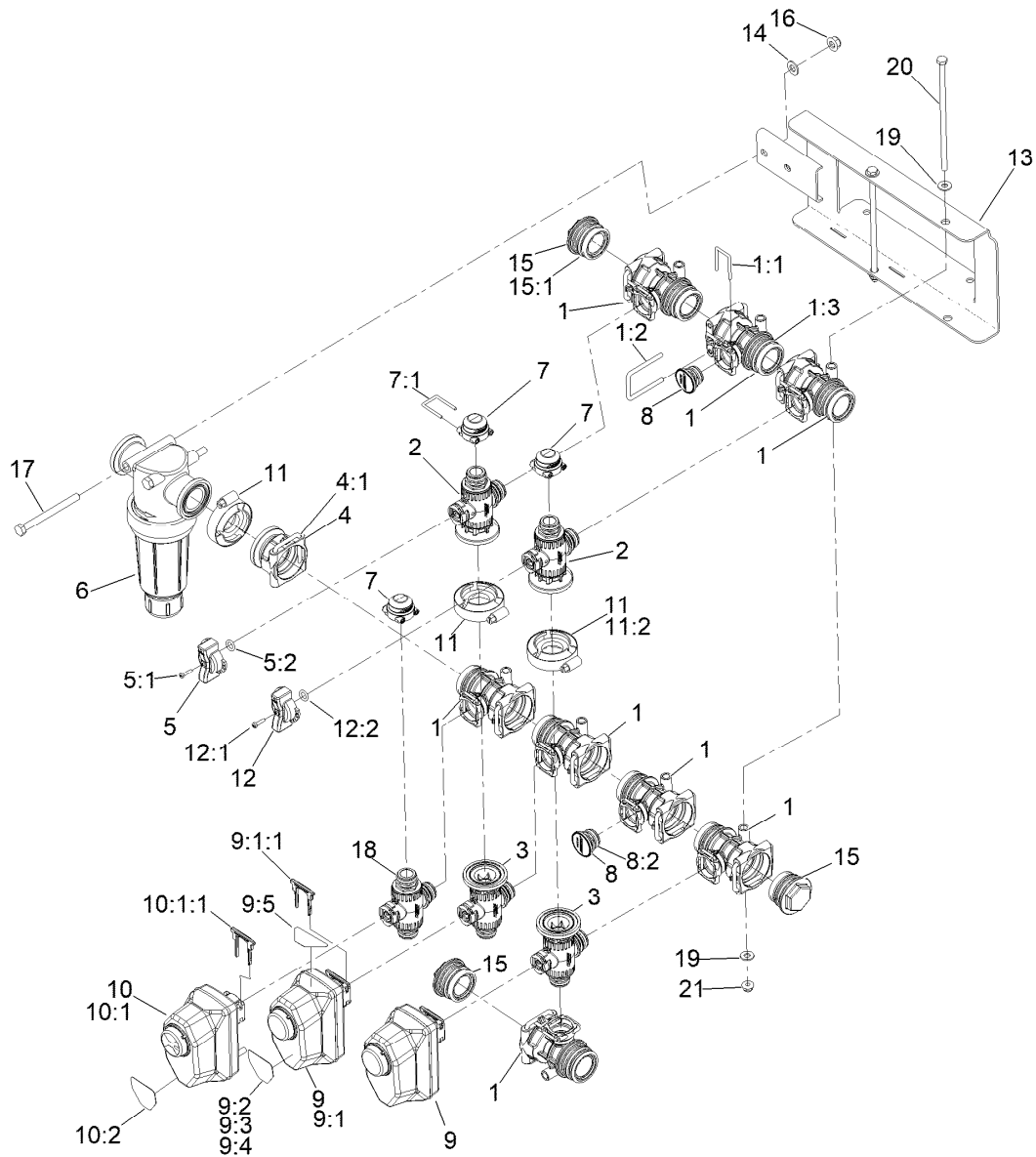
Bypass Valve Assembly No. 127-9805

<i>Ref.</i>	<i>Part Number</i>	<i>Qty.</i>	<i>Description</i>
1	131-0298	1	Bypass Needle Kit
1:1	127-1182	1	Needle-Bypass
1:2	127-1181	2	Oring-Bypass Needle
2	127-1180	1	Knob-Bypass
3	127-1179	1	Fork-Bypass Knob
4	127-1187	1	O-Ring, Endcap
5	133-0398	2	Pin-Fork



3-Way Valve Assembly No. 147-3183

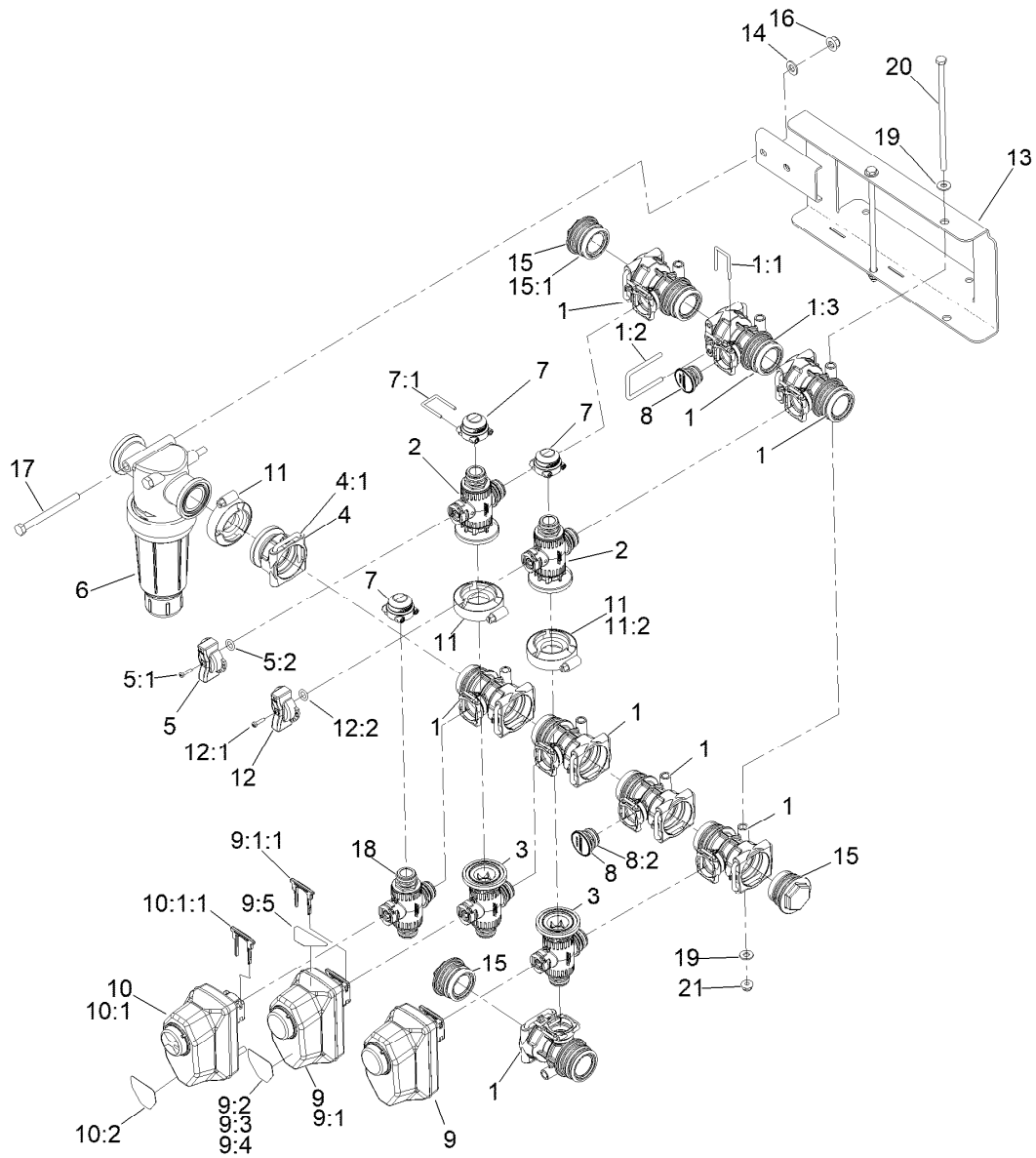
Ref.	Part Number	Qty.	Description
1	127-1194	1	Ball-Valve, 3Way
2	130-7317	2	Endcap Kit
2:1	127-1192	1	Seat-Ball
2:2	127-1188	1	O-Ring, Seat (Ball)
2:3	127-1189	1	O-Ring, Endcap
2:4	127-1187	1	O-Ring, Endcap
3	130-8248	1	Vavle Stem Kit
3:1	127-1197	2	O-Ring-Stem
4	127-1190	1	Fork-Stem, Valve
5	127-1195	1	Seat-Stem, Valve
6	127-1196	1	Washer-Stem, Valve
7	127-1187	1	O-Ring, Endcap



Agitation Manifold Assembly

Ref.	Part Number	Qty.	Description	Ref.	Part Number	Qty.	Description
1	147-3187	8	Kit-Qf, Manifold Tee	9	140-7377	2	Kit-Actuator Pi, On/Off
1:1	147-3185	1	Pin-Fork, Qf Small	9:1		1	Actuator - On/Off ●
1:2	147-3186	1	Pin-Fork, Qf Large	9:1:1	130-7301	1	Hairpin-Actuator
1:3	147-3188	1	Seal-Manifold, Qf Series	9:2	127-6979	1	Decal-Valve, Agitation
2	161-4110	2	Kit-Tx2 Manifold Valve, Reg	9:3	127-6981	1	Decal-Valve, On/Off
3	147-3192	2	Kit-Tx2, 3Way Flange Manifold	9:4	127-6982	1	Decal-Valve, Master Boom
4	147-3189	1	Kit-Qf, Flange-M100 Female	9:5	127-6976	1	Decal-Valve, Bypass Adjust
4:1	147-3186	1	Pin-Fork, Qf Large	10	144-6163	1	Kit-Actuator Regulating Pi
5	131-0265	1	Agitation Regulating Handle Kit	10:1		1	Actuator-Regulating Pi ●
5:1	131-0263	1	Screw-Handle	10:1:1	130-7301	1	Hairpin-Actuator
5:2	127-1197	1	O-Ring-Stem	10:2	127-6984	1	Decal-Valve, Regulating
6	131-3791	1	Filter-Pressure	11	127-9829	3	Clamp/Gasket Kit
7	127-9811	3	Fitting-Cap, Female	11:2	127-1145	1	Gasket-Flange
7:1	133-0398	1	Pin-Fork	12	131-0266	1	Master Regulating Handle Kit
8	127-9810	2	Male Cap Fitting Kit	12:1	131-0263	1	Screw-Handle
8:2	127-1187	1	O-Ring, Endcap	12:2	127-1197	1	O-Ring-Stem
				13	161-4105	1	Agitation-Mount, ASM

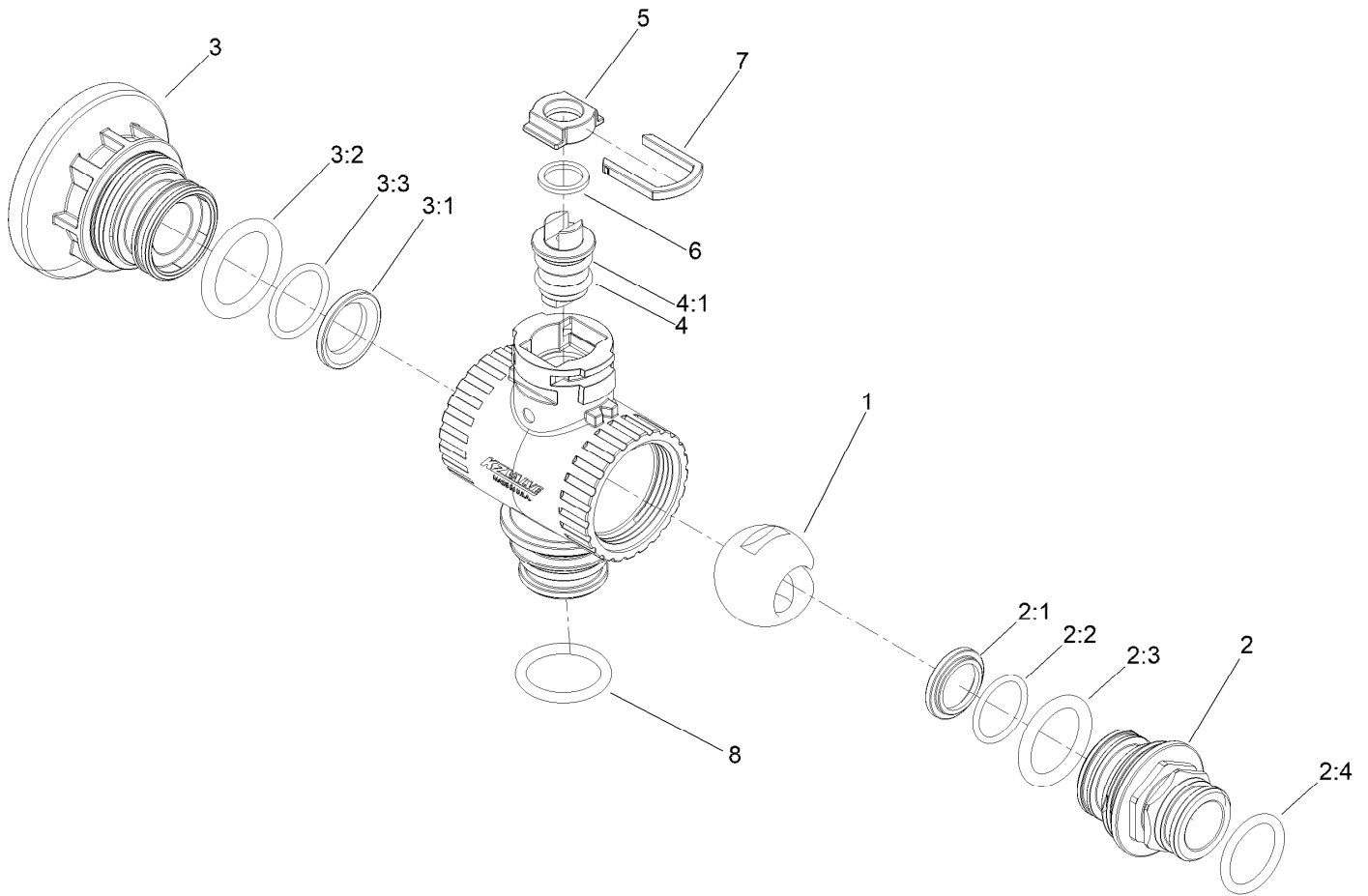
● Not serviced separately



Agitation Manifold Assembly (continued)

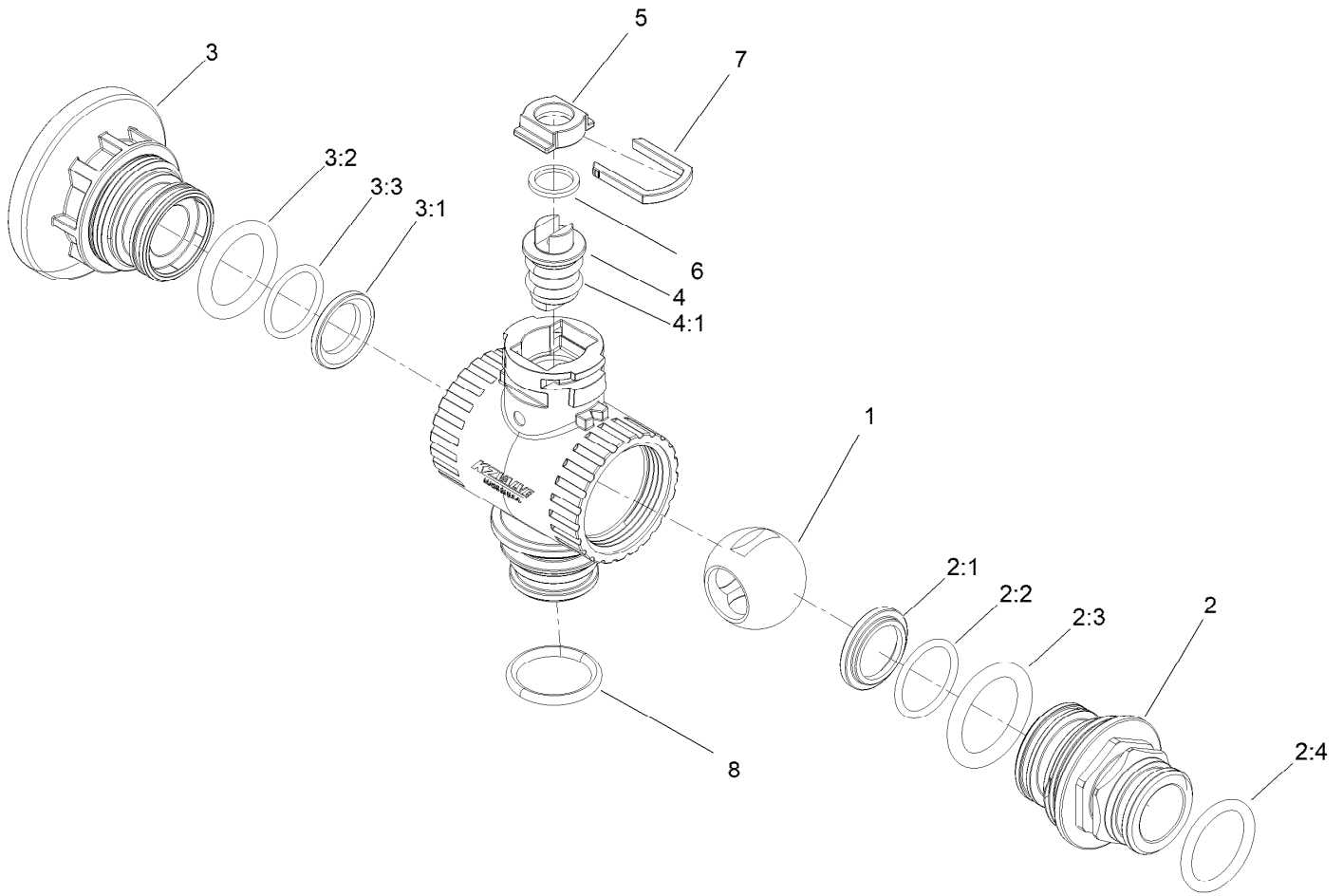
<i>Ref.</i>	<i>Part Number</i>	<i>Qty.</i>	<i>Description</i>	<i>Ref.</i>	<i>Part Number</i>	<i>Qty.</i>	<i>Description</i>
14	3256-23	2	Washer-Plain	18	161-4111	1	Kit-Tx2 Manifold Qd, Reg
15	147-3193	3	Kit Qf, Plug-Male W/O Port	19	3256-22	4	Washer-Flat
15:1	147-3188	1	Seal-Manifold, Qf Series	20	161-4128	2	Screw-HH
16	104-8300	2	Nut-HF, NI	21	104-7201	2	Nut-HF, NI
17	322-22	2	Screw-HH				

● Not serviced separately



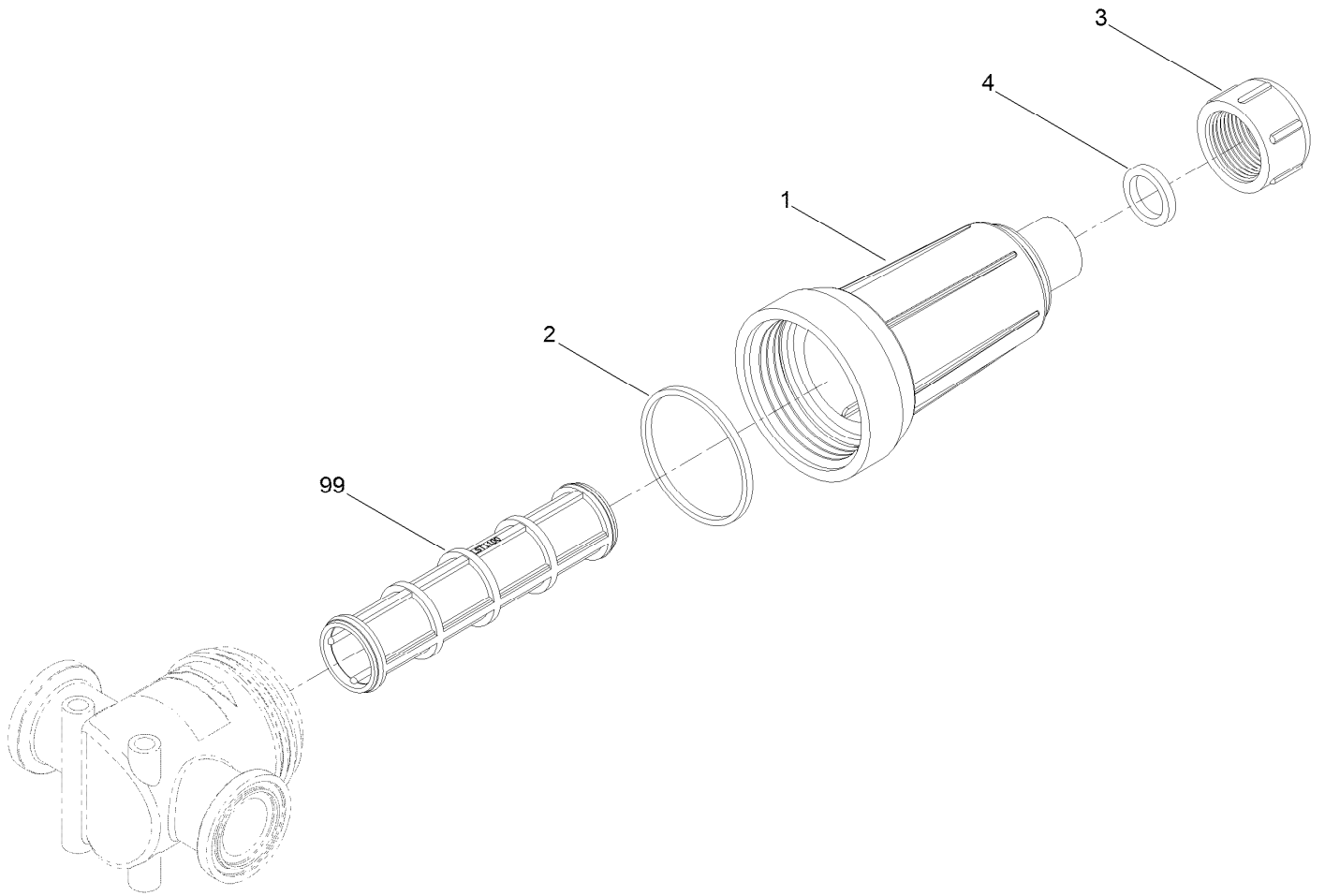
M100 Manifold Assembly No. 161-4110

<i>Ref.</i>	<i>Part Number</i>	<i>Qty.</i>	<i>Description</i>	<i>Ref.</i>	<i>Part Number</i>	<i>Qty.</i>	<i>Description</i>
1	127-1113	1	Ball-V	3:2	127-1188	1	O-Ring, Seat (Ball)
2	130-7317	1	Endcap Kit	3:3	127-1189	1	O-Ring, Endcap
2:1	127-1192	1	Seat-Ball	4	130-8248	1	Valve Stem Kit
2:2	127-1188	1	O-Ring, Seat (Ball)	4:1	127-1197	2	O-Ring-Stem
2:3	127-1189	1	O-Ring, Endcap	5	127-1195	1	Seat-Stem, Valve
2:4	127-1187	1	O-Ring, Endcap	6	127-1196	1	Washer-Stem, Valve
3	130-8249	1	Endcap Kit	7	127-1190	1	Fork-Stem, Valve
3:1	127-1192	1	Seat-Ball	8	127-1187	1	O-Ring, Endcap



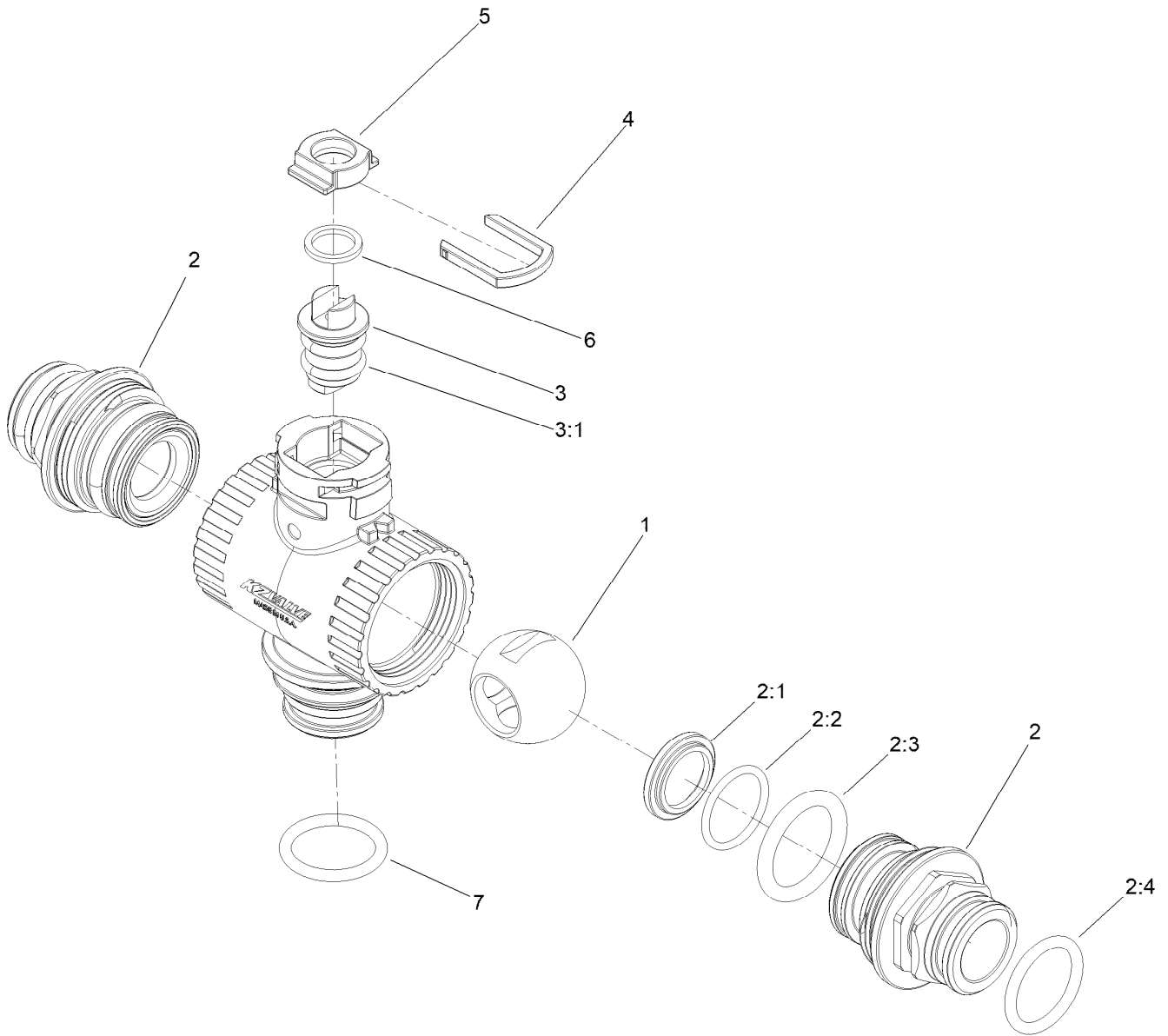
3-Way Flange Manifold Assembly No. 147-3192

<i>Ref.</i>	<i>Part Number</i>	<i>Qty.</i>	<i>Description</i>	<i>Ref.</i>	<i>Part Number</i>	<i>Qty.</i>	<i>Description</i>
1	127-1194	1	Ball-Valve, 3Way	3:2	127-1188	1	O-Ring, Seat (Ball)
2	130-7317	1	Endcap Kit	3:3	127-1189	1	O-Ring, Endcap
2:1	127-1192	1	Seat-Ball	4	130-8248	1	Valve Stem Kit
2:2	127-1188	1	O-Ring, Seat (Ball)	4:1	127-1197	2	O-Ring-Stem
2:3	127-1189	1	O-Ring, Endcap	5	127-1195	1	Seat-Stem, Valve
2:4	127-1187	1	O-Ring, Endcap	6	127-1196	1	Washer-Stem, Valve
3	130-8249	1	Endcap Kit	7	127-1190	1	Fork-Stem, Valve
3:1	127-1192	1	Seat-Ball	8	127-1187	1	O-Ring, Endcap



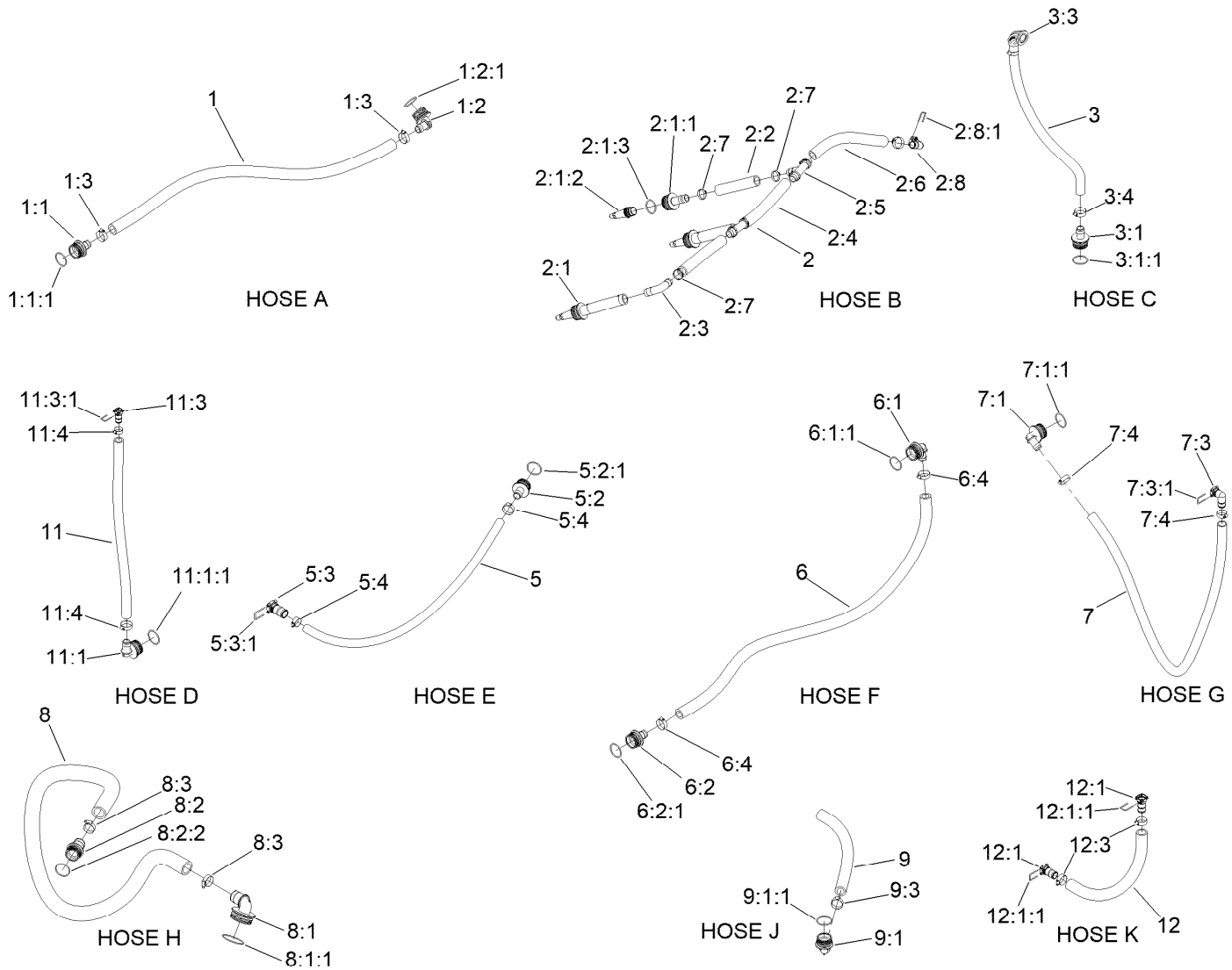
Pressure Filter Assembly No. 131-3791

<i>Ref.</i>	<i>Part Number</i>	<i>Qty.</i>	<i>Description</i>
1	136-0397	1	Bowl-Strainer
2	136-0398	1	Rubber-Gasket
3	136-0410	1	Strainer Cap
4	136-0399	1	Rubber-Gasket
99	133-0384	1	Screen-Teejet, 30 Mesh
99	133-0385	1	Screen-Teejet, 50 Mesh
99	133-0386	1	Screen-Teejet, 80 Mesh
99	133-0387	1	Screen-Teejet, 100 Mesh



QD Manifold Assembly No. 161-4111

Ref.	Part Number	Qty.	Description
1	127-1113	1	Ball-V
2	130-7317	2	Endcap Kit
2:1	127-1192	1	Seat-Ball
2:2	127-1188	1	O-Ring, Seat (Ball)
2:3	127-1189	1	O-Ring, Endcap
2:4	127-1187	1	O-Ring, Endcap
3	130-8248	1	Valve Stem Kit
3:1	127-1197	2	O-Ring-Stem
4	127-1190	1	Fork-Stem, Valve
5	127-1195	1	Seat-Stem, Valve
6	127-1196	1	Washer-Stem, Valve
7	127-1187	1	O-Ring, Endcap

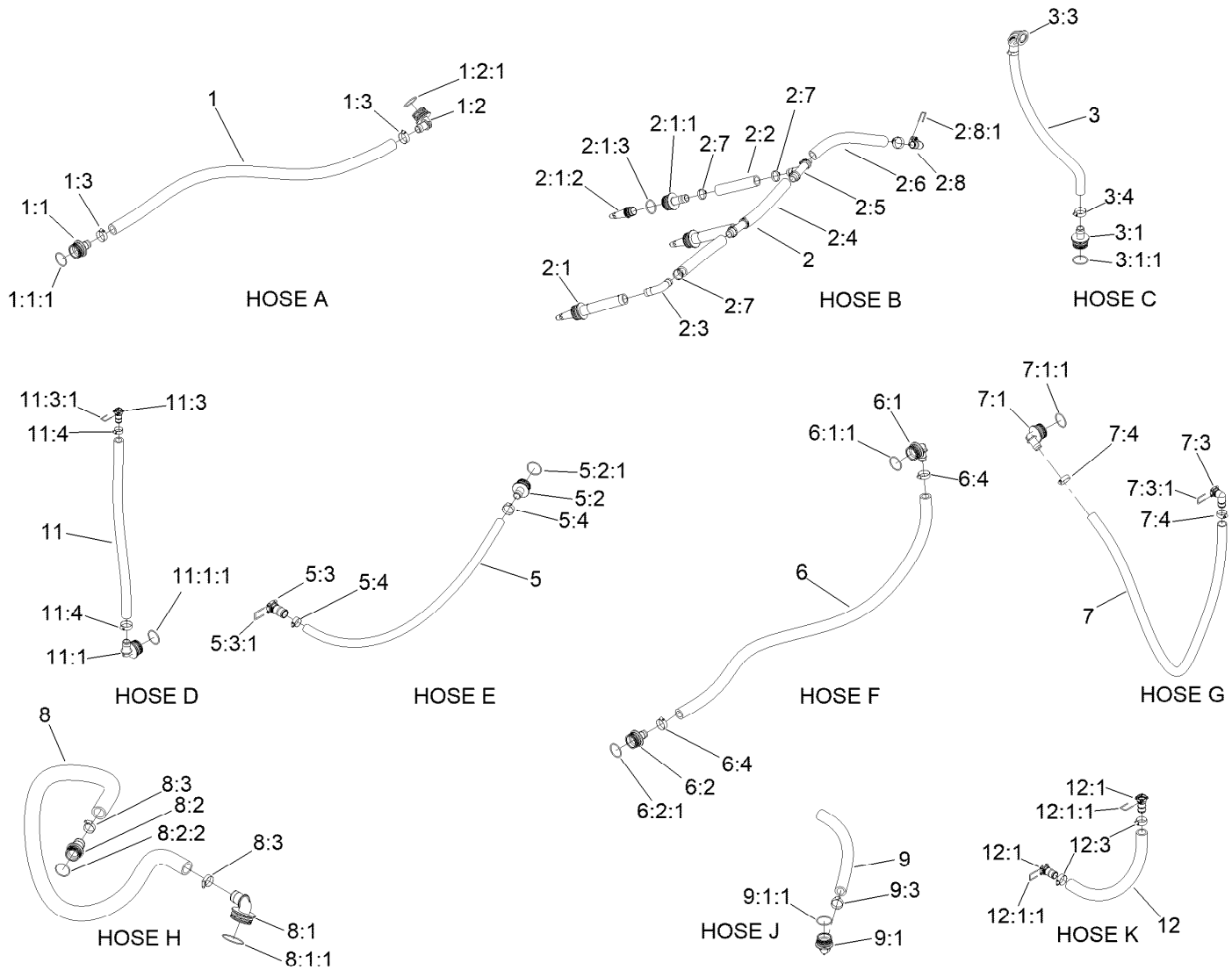


Reference **Spray Tank Assembly** page and **Spray Tank Valve Assembly** page for hose locations and orientation

Hose Assembly

Ref.	Part Number	Qty.	Description	Ref.	Part Number	Qty.	Description
1	121-6539	1	Main Supply Hose ASM	2:8:1	133-0398	1	Pin-Fork
1:1	106-4932	1	Hosebarb-Straight	3	132-4314	1	Hose-Supply
1:1:1	100-8637	1	O-Ring	3:1	106-4932	1	Hosebarb-Straight
1:2	106-4933	1	Hosebarb ASM	3:1:1	100-8637	1	O-Ring
1:2:1	100-8637	1	O-Ring	3:3	131-0241	1	Fitting-Elb 90
1:3	2412-34	2	Clamp-Hose	3:4	2412-34	2	Clamp-Hose
2	139-3094	1	Hose-Agitation, ASM	5		1	Hose ASM, Agitation Bypass
2:1	131-3731	3	Agitation Nozzle ASM			●	
2:1:1	131-3732	1	Fitting-Barb	5:2	106-4932	1	Hosebarb-Straight
2:1:2	120-8579	1	Nozzle-Agitation	5:2:1	100-8637	1	O-Ring
2:1:3	121-4996	1	O-Ring	5:3	161-4117	1	Kit-Fitting, Qf 1" Barb Female
2:2	125-0665	3	Nozzle-Hose, Agitation	5:3:1	147-3186	1	Pin-Fork, Qf Large
2:3	117-7867	1	Elbow-Hosebarb	5:4	2412-34	2	Clamp-Hose
2:4	125-0664	2	Tee-Hose, Agitation	6	125-0601	1	Regulating Hose ASM
2:5	117-7866	2	Tee-Hosebarb	6:1	106-4933	1	Hosebarb ASM
2:6	132-4311	1	Hose-Agitation	6:1:1	100-8637	1	O-Ring
2:7	2412-34	12	Clamp-Hose	6:2	106-4932	1	Hosebarb-Straight
2:8	131-0213	1	90 DEG Barb Fitting Kit				
				9			
				9:1:1			
				9:1			
				9:3			
				12			
				12:1			
				12:1:1			
				12:3			
				12:1:1			

● Not serviced separately



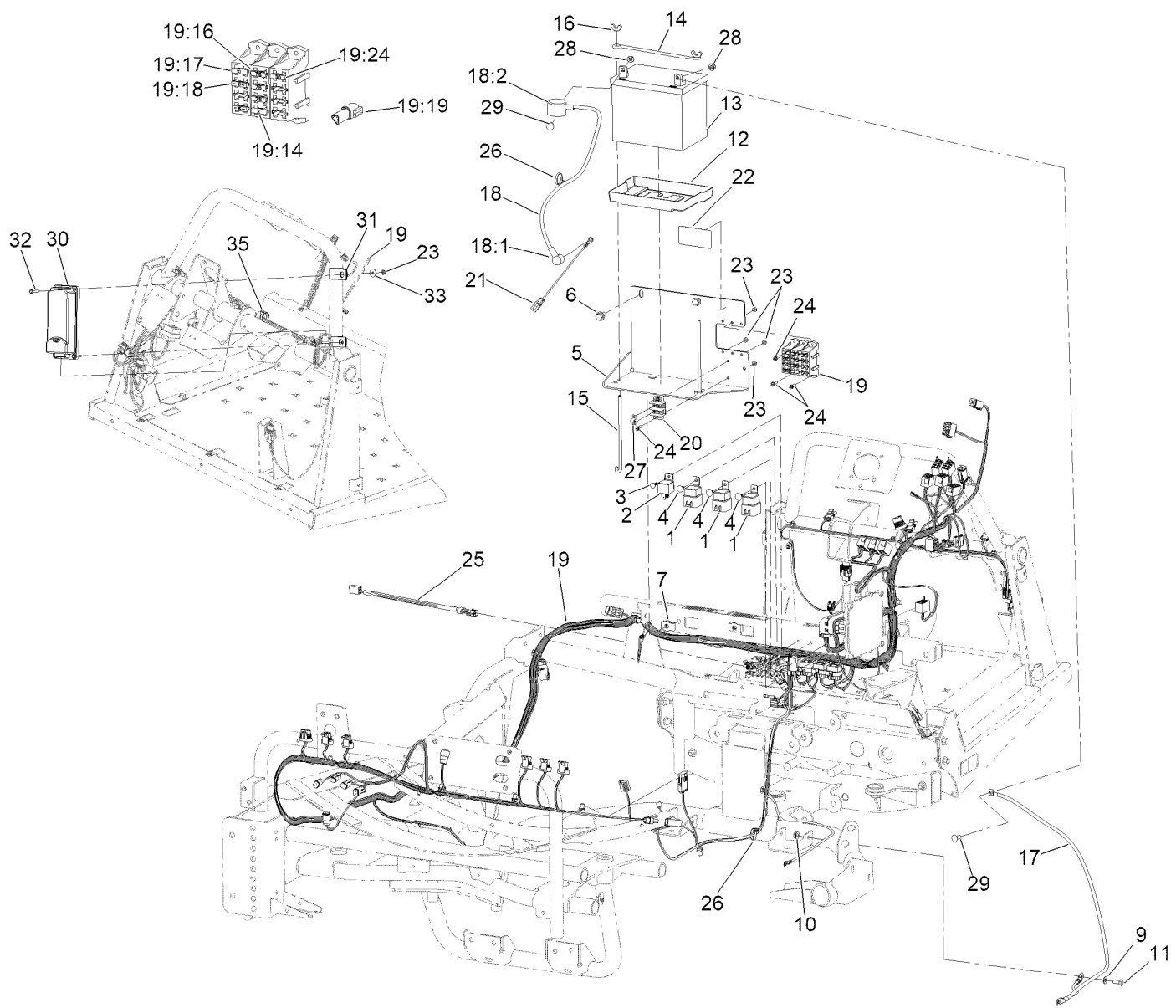
Reference **Spray Tank Assembly** page and **Spray Tank Valve Assembly** page for hose locations and orientation

Hose Assembly (continued)

Ref.	Part Number	Qty.	Description	Ref.	Part Number	Qty.	Description
6:2:1	100-8637	1	O-Ring	9	125-0647	1	Drain Hose ASM
6:4	2412-34	2	Clamp-Hose	9:1	106-4933	1	Hosebarb ASM
7	132-4315	1	Hose-Bypass	9:1:1	100-8637	1	O-Ring
7:1	106-4933	1	Hosebarb ASM	9:3	2412-34	1	Clamp-Hose
7:1:1	100-8637	1	O-Ring	11	132-4316	1	Hose-Regulating
7:3	131-0213	1	90 DEG Barb Fitting Kit	11:1	106-4933	1	Hosebarb ASM
7:3:1	133-0398	1	Pin-Fork	11:1:1	100-8637	1	O-Ring
7:4	2412-34	2	Clamp-Hose	11:3	127-9806	1	Fitting Kit
8	125-0603	1	Top Suction Hose ASM	11:3:1	133-0398	1	Pin-Fork
8:1	106-4952	1	Hosebarb-90 DEG	11:4	2412-34	2	Clamp-Hose
8:1:1	100-6989	1	O-Ring	12	132-4319	1	Hose-Regulating
8:2	117-7982	1	Hosebarb ASM	12:1	127-9806	2	Fitting Kit
8:2:2	100-8637	1	O-Ring	12:1:1	133-0398	1	Pin-Fork
8:3	41327	2	Clamp-Hose	12:3	2412-34	2	Clamp-Hose

● Not serviced separately

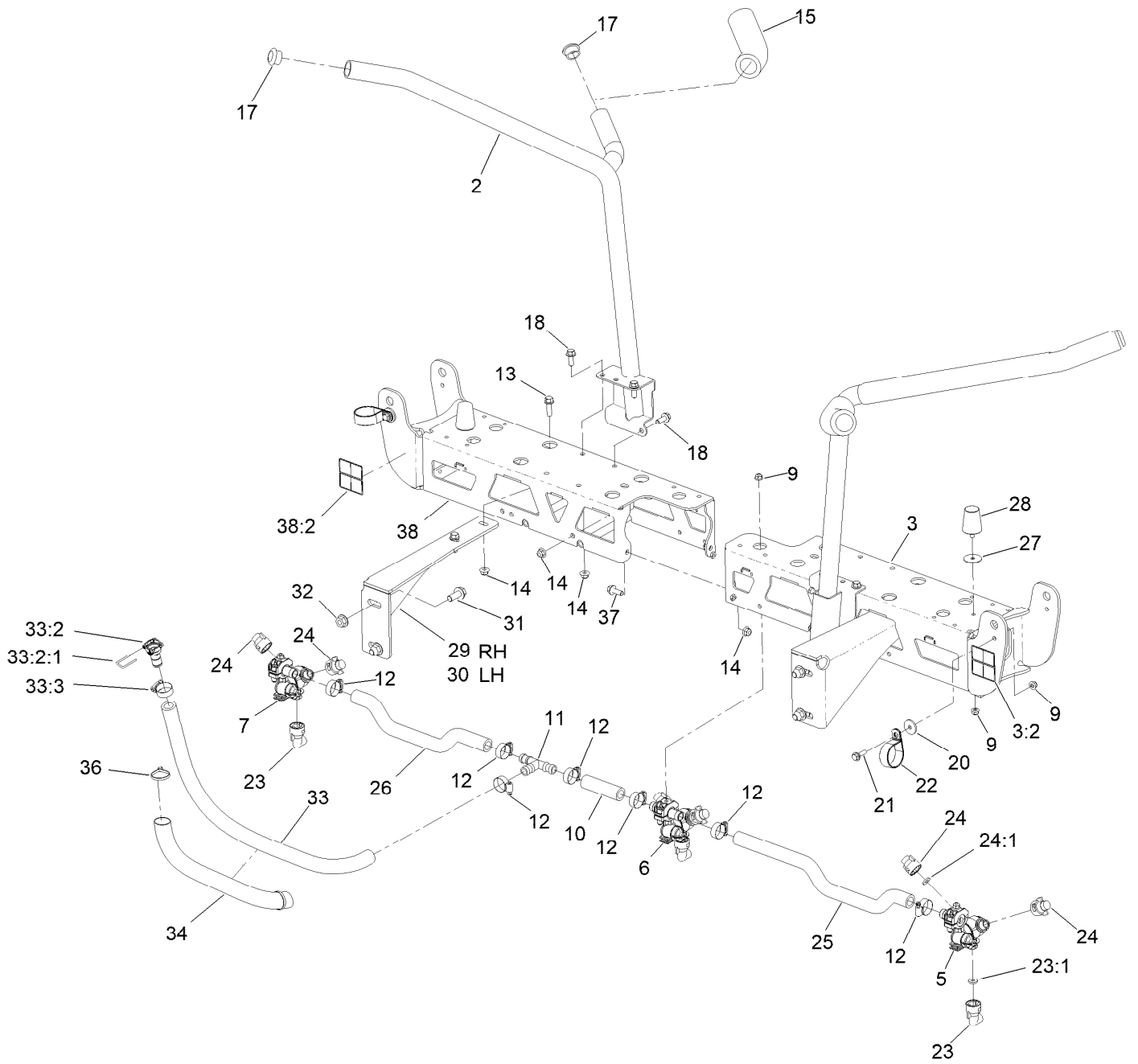
Main Wiring Harness and Battery Assembly



Main Wiring Harness and Battery Assembly (continued)

<i>Ref.</i>	<i>Part Number</i>	<i>Qty.</i>	<i>Description</i>	<i>Ref.</i>	<i>Part Number</i>	<i>Qty.</i>	<i>Description</i>
1	99-7430	3	Relay-Mini	19:16	114241	3	Fuse-Blade, 7.5 Amp
2	99-7435	1	Relay	19:17	218-578	1	Fuse-Blade, 10 Amp
3	125-8067	1	Plug-Plastic	19:18	109355	3	Fuse-Blade, 15 Amp
4	117-2382	3	Plug-Plastic	19:19	32180-043	2	Resistor-120 Ohm
5	125-0908-0P	1	Base - Battery	19:24	109103	1	Fuse-Blade, 30 Amp
6	3234-11	2	Screw-HHF	20	42862	1	Block-Terminal, Ground
7	105-4886	2	Nut-Tinnerman	21	108-9455	1	Harness-Wire, Fusible Link
9	3256-23	1	Washer-Plain	22	144-6007	1	Decal - Fuse Block
10	32128-25	1	Nut-HF	23	3296-2	7	Nut-Lock, NI
11	322-3	1	Screw-HH	24	32105-13	5	Screw-HWH
12	106948	1	Tray-Battery	25	108-8657	1	Harness-Wire, Seat
13	104-8162	1	Battery	26	3290-379	2	Tie-Cable
14	100-6434	1	Rod-Hold Down, Battery	27	42863	1	Strip-Jumper
15	100-6435	2	Post-Battery	28	104-8300	2	Nut-HF, NI
16	1-543792	2	Wingnut	29	3230-1	2	Bolt-CARR
17	122-0137	1	Cable-Battery, Negative	30	161-9001	1	Gateway-Telematics
18	109-7621	1	Positive Battery Cable ASM	31	2412-82	2	Clamp-R
18:1	1-543393	1	Insulator-Solenoid	32	131-6456	2	Screw-HWH
18:2	109-2407	1	Insulator-Battery	33	3256-61	2	Washer-Flat
19	122-4105	1	Harness-Wire, Mp1750	35	3290-378	11	Tie-Cable
19:14	94-6710	1	Fuse-2 Amp				

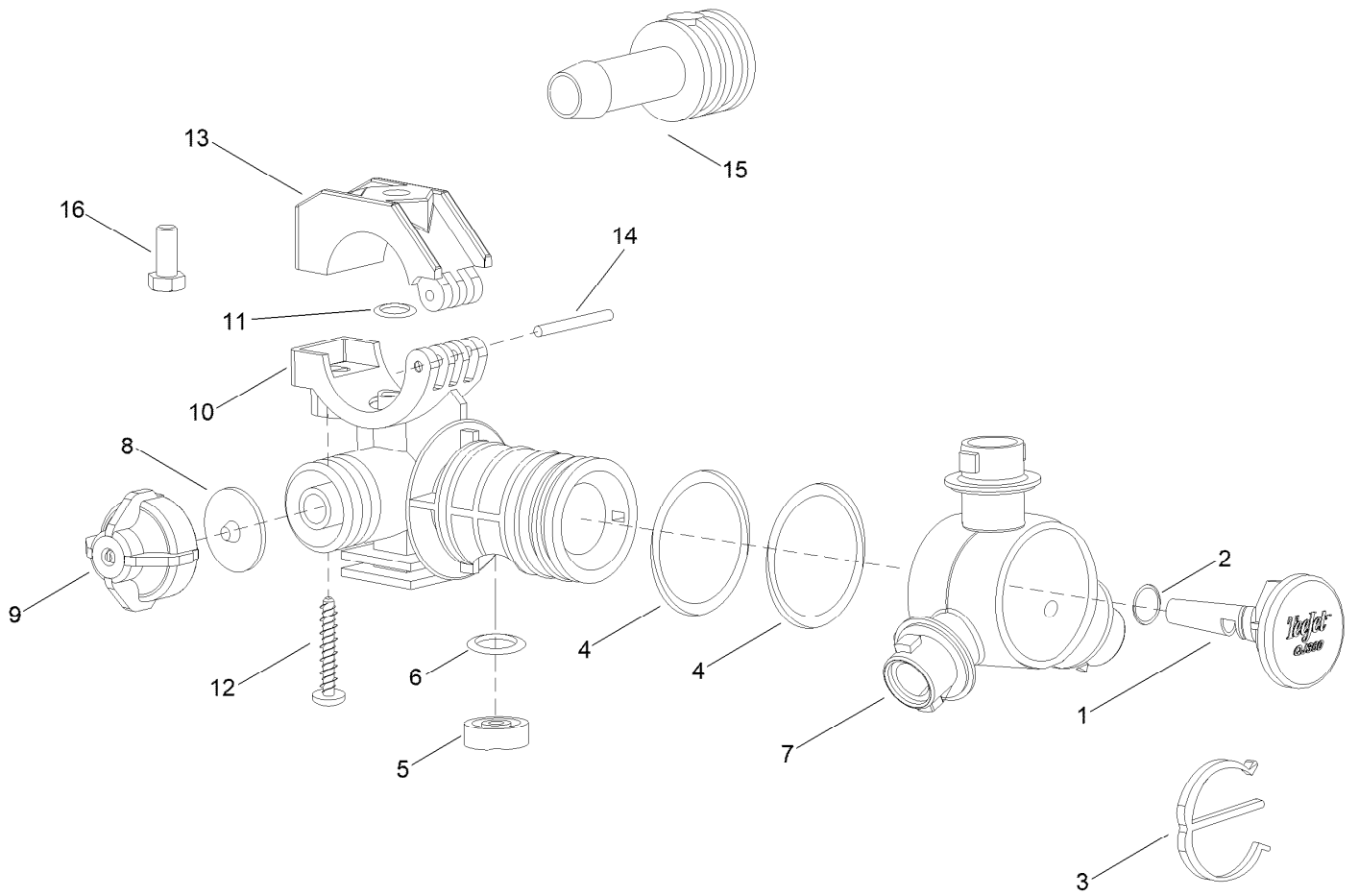
Center Boom Mount Assembly



Center Boom Mount Assembly (continued)

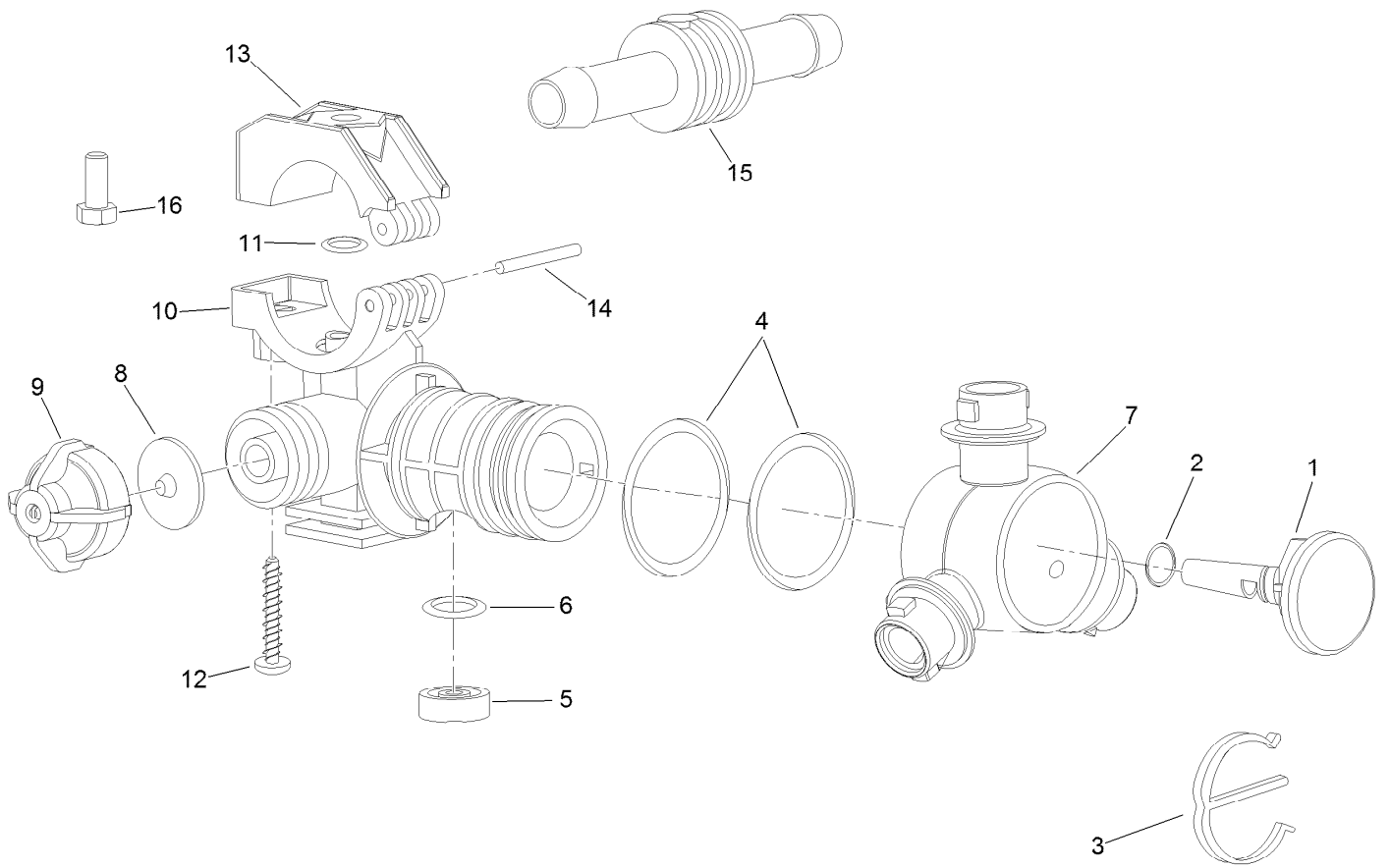
<i>Ref.</i>	<i>Part Number</i>	<i>Qty.</i>	<i>Description</i>	<i>Ref.</i>	<i>Part Number</i>	<i>Qty.</i>	<i>Description</i>
2	161-4174	2	Cradle ASM	24	95-9187	6	Cap-Blank
3	136-0381	1	Boom-LH	24:1	40998	1	Seat-Gasket
3:2	120-0617	2	Decal-Warning, Pinch, Crush	25	108-3735	1	Hose-Boom, Center (LH)
5	108-3725	1	LH Single Body Turret ASM	26	108-3718	1	Hose-Boom, Center (RH)
6	108-3727	1	Double Turret Body ASM	27	3256-68	2	Washer-Flat
7	108-3726	1	RH Single Body Turret ASM	28	110-5070	2	Bumper
9	104-8300	7	Nut-HF, NI	29	130-8244-03	1	Mount-Boom, RH
10	108-3717	1	Hose-Boom	30	130-8245-03	1	Mount-Boom, LH
11	108-3439	1	Tee	31	110-5057	4	Capscrew-HHF
12	2412-129	7	Clamp-Hose	32	108-3745	4	Nut-HHF, Whiz
13	110-5050	4	Screw-HHF	33	132-4323	1	Hose-Boom, Center
14	104-8301	12	Nut-HF, NI	33:2	127-9807	1	Straight Fitting Kit
15	108-3457	2	Spacer	33:2:1	133-0398	1	Pin-Fork
17	108-3489	4	Cap-Tube	33:3	2412-129	1	Clamp-Hose
18	110-5052	6	Screw-HHF	34	127-3923	1	Conduit-Convolutd
20	108-3743	2	Washer	36	3290-378	2	Tie-Cable
21	108-3744	2	Screw-Shoulder	37	3234-42	2	Screw-HHF
22	114-9566	2	Clamp-R	38	136-0382	1	Boom-RH
23	95-9186	3	Cap	38:2	120-0617	2	Decal-Warning, Pinch, Crush
23:1	40998	1	Seat-Gasket				

RH Single Body Turret Assembly No. 108-3726



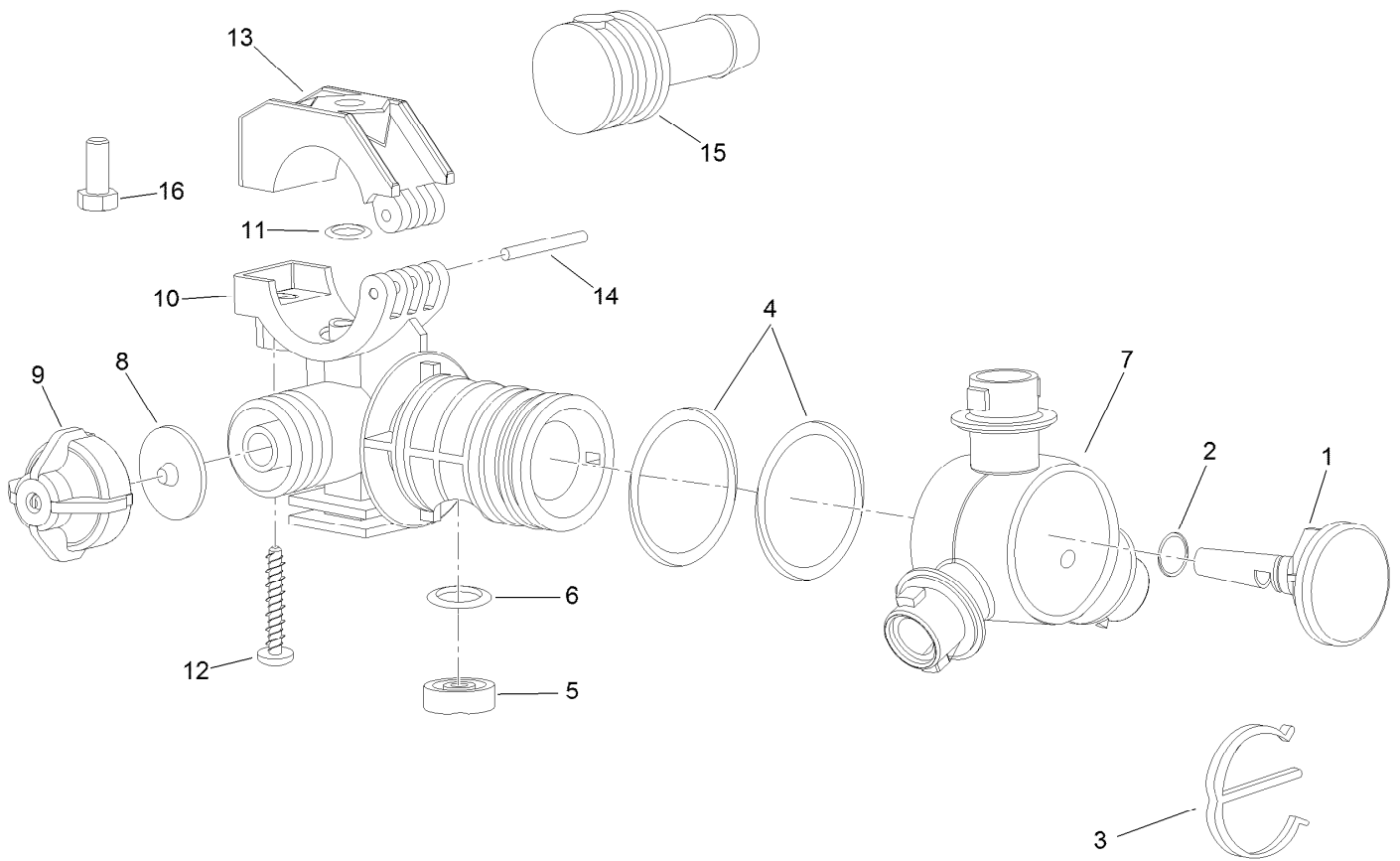
RH Single Body Turret Assembly No. 108-3726 (continued)

<i>Ref.</i>	<i>Part Number</i>	<i>Qty.</i>	<i>Description</i>	<i>Ref.</i>	<i>Part Number</i>	<i>Qty.</i>	<i>Description</i>
1	95-9200	1	Plug	9	95-9193	1	Cap-Diaphram
2	95-9198	1	O-Ring	10	95-9192	1	Body-Split Eyelet
3	95-9197	1	E-Clip	11	95-9191	1	O-Ring
4	95-9199	2	O-Ring	12	99-0811	1	Screw-Clamp
5	108-3264	1	Seal-Viton	13	99-0812	1	Clamp-Upper
6	108-3265	1	O-Ring-Viton	14	99-0814	1	Pin-Pivot
7	95-9196	1	Turret	15	95-9201	1	Shank-Hose
8	41003	1	Diaphragm	16	322-3	1	Screw-HH



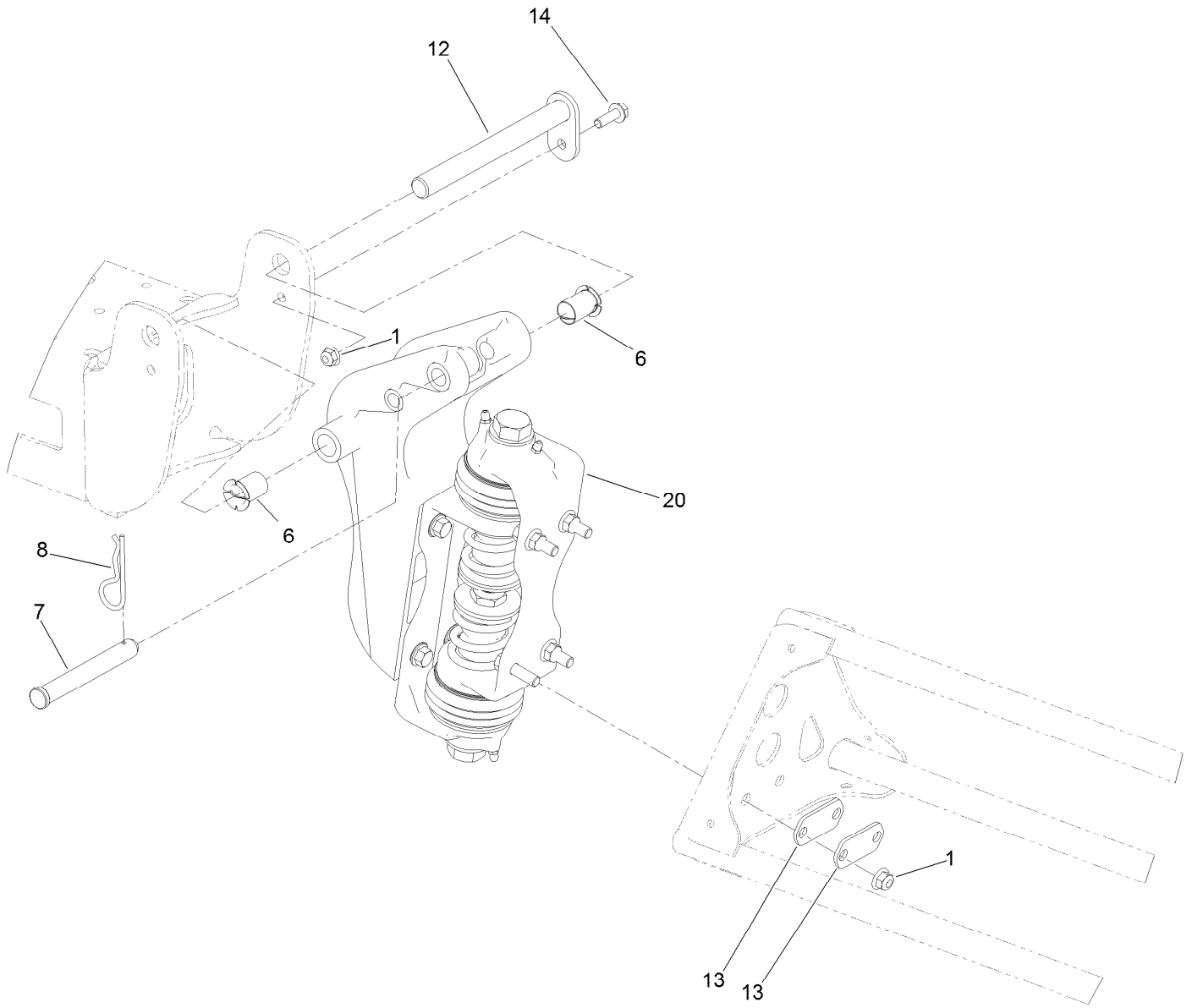
Double Turret Body Assembly No. 108-3727

<i>Ref.</i>	<i>Part Number</i>	<i>Qty.</i>	<i>Description</i>	<i>Ref.</i>	<i>Part Number</i>	<i>Qty.</i>	<i>Description</i>
1	95-9200	1	Plug	9	95-9193	1	Cap-Diaphragm
2	95-9198	1	O-Ring	10	95-9192	1	Body-Split Eyelet
3	95-9197	1	E-Clip	11	95-9191	1	O-Ring
4	95-9199	2	O-Ring	12	99-0811	1	Screw-Clamp
5	108-3264	1	Seal-Viton	13	99-0812	1	Clamp-Upper
6	108-3265	1	O-Ring-Viton	14	99-0814	1	Pin-Pivot
7	95-9196	1	Turret	15	95-9202	1	Shank-Hose
8	41003	1	Diaphragm	16	322-3	1	Screw-HH



LH Single Turret Body Assembly No. 108-3725

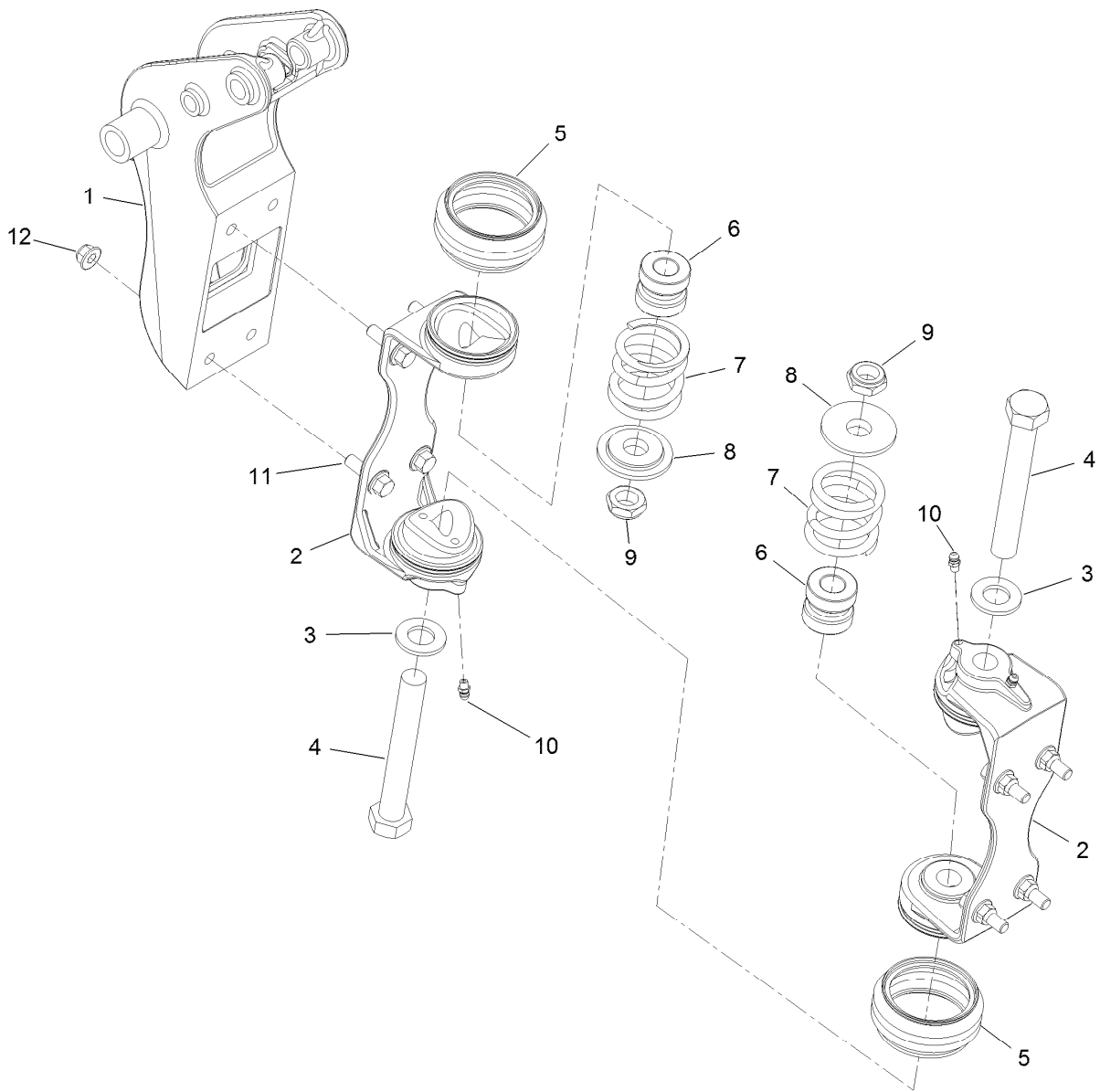
<i>Ref.</i>	<i>Part Number</i>	<i>Qty.</i>	<i>Description</i>	<i>Ref.</i>	<i>Part Number</i>	<i>Qty.</i>	<i>Description</i>
1	95-9200	1	Plug	9	95-9193	1	Cap-Diaphragm
2	95-9198	1	O-Ring	10	95-9192	1	Body-Split Eyelet
3	95-9197	1	E-Clip	11	95-9191	1	O-Ring
4	95-9199	2	O-Ring	12	99-0811	1	Screw-Clamp
5	108-3264	1	Seal-Viton	13	99-0812	1	Clamp-Upper
6	108-3265	1	O-Ring-Viton	14	99-0814	1	Pin-Pivot
7	95-9196	1	Turret	15	95-9201	1	Shank-Hose
8	41003	1	Diaphragm	16	322-3	1	Screw-HH



Boom Pivot Assembly

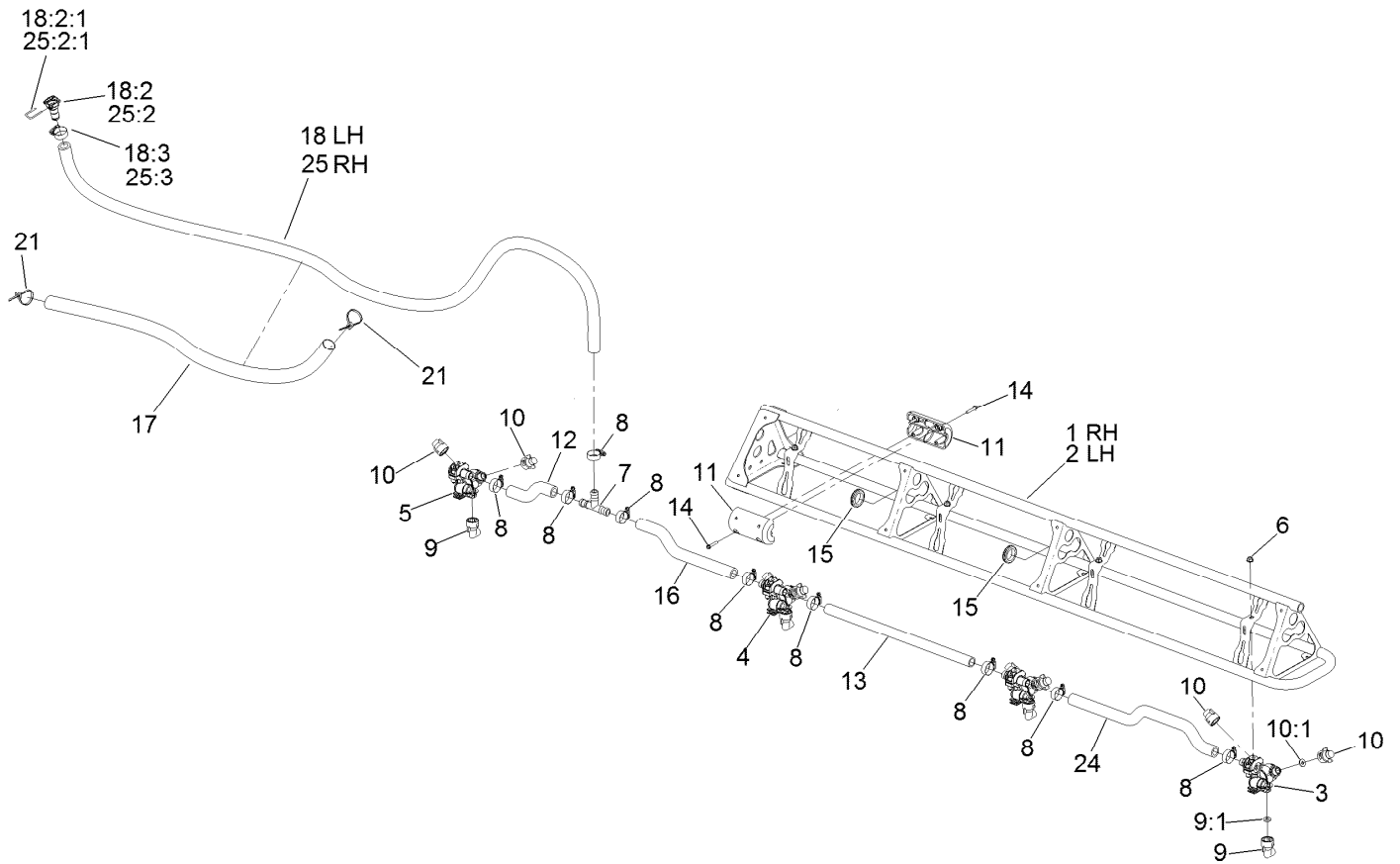
Ref.	Part Number	Qty.	Description
1	104-8300	2	Nut-HF, NI
6	100-8541	4	Bushing-A Arm
7	108-3436	2	Pin-Clevis
8	3290-468	2	Pin-Cotter
12	108-3419	2	Pivot Pin ASM
13	108-3605	8	Plate-Backing
14	108-3748	2	Screw-HHF
20		2	Pivot Bracket Assembly ●

● Not serviced separately



Boom Pivot Assembly

<i>Ref.</i>	<i>Part Number</i>	<i>Qty.</i>	<i>Description</i>
1	137-1673	1	Bracket-Pivot
2	137-1674	2	Hinge
3	110-5054	2	Washer-Flat
4	108-3738	2	Screw-HH
5	108-3459	2	Boot-Hinge
6	120-8541	2	Dampener-Hinge
7	108-3440	2	Spring-Breakaway, Boom
8	108-3444	2	Retainer-Spring
9	3296-15	2	Nut-Lock, NI
10	302-5	4	Fitting-Grease
11	110-5050	8	Screw-HHF
12	104-8301	8	Nut-HF, NI



Left and Right Hand Boom Assembly

Ref.	Part Number	Qty.	Description	Ref.	Part Number	Qty.	Description
1	108-3524-03	1	Boom-RH	14	119-9369	16	Screw-HHF
2	108-3525-03	1	Boom-LH	15	240-3	4	Grommet-Rubber
3	108-3725	2	LH Single Body Turret ASM	16	136-0436	2	Hose-Formed
4	108-3727	4	Double Turret Body ASM	17	107-8650	2	Conduit-Convolutd
5	108-3726	2	RH Single Body Turret ASM	18	132-4322	1	Hose-Boom
6	104-8300	8	Nut-HF, NI	18:2	127-9807	1	Straight Fitting Kit
7	108-3439	2	Tee	18:2:1	133-0398	1	Pin-Fork
8	2412-129	18	Clamp-Hose	18:3	2412-129	1	Clamp-Hose
9	95-9186	8	Cap	21	3290-378	4	Tie-Cable
9:1	40998	1	Seat-Gasket	24	108-3735	2	Hose-Boom, Center (LH)
10	95-9187	16	Cap-Blank	25	132-4324	1	Hose-Boom
10:1	40998	1	Seat-Gasket	25:2	127-9807	1	Straight Fitting Kit
11	119-9368	8	Block Slide	25:2:1	133-0398	1	Pin-Fork
12	136-0437	2	Hose-Formed	25:3	2412-129	1	Clamp-Hose
13	40506	2	Hose-Jumper				

Attachments and Accessories

For 41196 — Multi Pro 1750 Turf Sprayer

Product Name	Model/Part
Premium ATF (Drum).....	108-1185
Premium ATF (Pail)	108-1186
Premium All Purpose Grease (Tube)	108-1190
License Plate Kit.....	120-8506
Covered Boom Spring Upgrade Kit.....	120-8508
Premium Engine Oil 10w30 (55 Gallon Drum)	121-6392
Premium Engine Oil 10w30 (5 Gallon Pail)	121-6393
Lance Suction Assembly	127-9826
Sonic Boom Finish Kit.....	130-8227
Finishing Kit, Foam Marker for Multi Pro 1750 Turf Sprayer	136-0457
Pump Head Kit.....	145-3399
White Universal Sunshade	30669
Red Universal Sunshade	30671
Rear Work Light Kit.....	41010
Single Nozzle Kit.....	41023
Hand Spray Wand Kit	41118
EU Compliance Kit.....	41155
Pro Foam Concentrate (4 x 1 Gallon)	41157
Chemical Pre-Mix Kit	41158
Electric Hose Reel Kit	41159
CE Kit	41202
Tank Clean Rinse Kit	41208
Ultra Sonic Boom Leveling Kit	41219
Foam Marker Kit	41249
Drift Reduction Boom Shroud Kit	41602
Pro-Foam.....	41607
Geolink Global	41713
Geolink Finish Kit MP 1750.....	41742
Spark Arrestor Screen	94-8157



Count on it.