



Count on it.

Parts Catalog

**152cm Z Master® 4000 Series
Riding Mower**

Model No. 74056TE—Serial No. 418031645 and Up



Ordering Replacement Parts

To order replacement parts, please supply the part number, the quantity, and the description of each part desired.

Understanding Reference Numbers

Each identified part in an illustration has a reference number. The reference number for a part also appears in the parts list, along with other information about the part.

This catalog uses two special reference number formats, one to indicate parts in a service assembly and another to indicate the quantity of a given part in an illustration.

Service Assembly Reference Numbers

Parts in service assemblies have reference numbers in the form a:b. The a represents the reference number of the entire service assembly and the b represents a sequential number unique to each part within the service assembly.

For example, a wheel assembly might be identified by reference number 6, the tire by 6:1, the valve by 6:2, and the wheel by 6:3. When you order the assembly identified by reference number 6, you receive all parts identified by reference numbers 6:1, 6:2, and 6:3. However, you may also order any part individually. Reference numbers of this type appear in illustration and in parts lists.

Reference Numbers Indicating Quantity

In an illustration, if a reference number indicates more than one part, the reference number has the form nX y. The n represents the quantity of the part, the X is the multiplication symbol, and the y represents the reference number.

For example, in an illustration, the reference number 2X 37 means that two of the parts identified by reference number 37 are indicated.

Contents

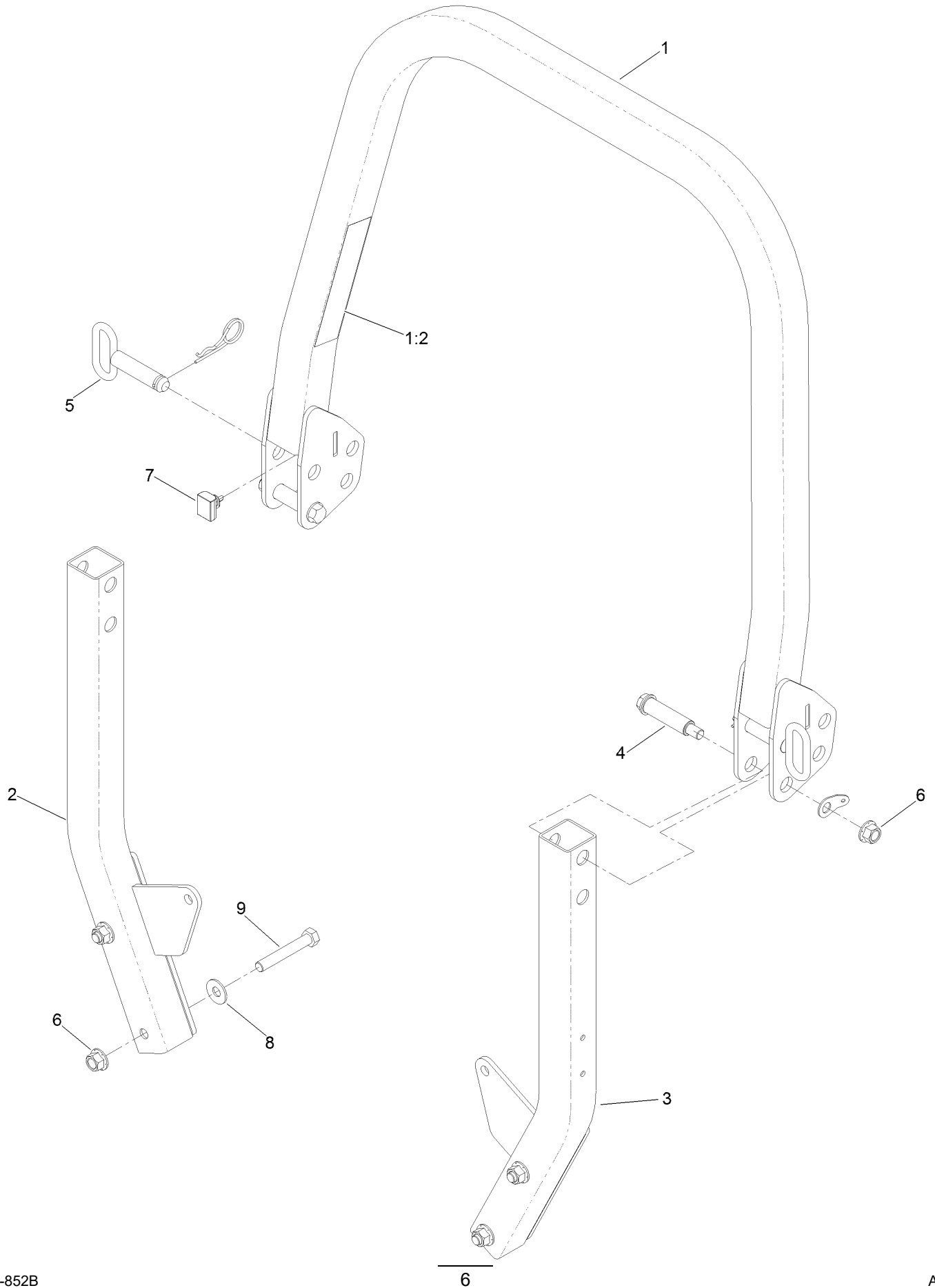
Frame Assembly	4
Roll-Over Protection System Assembly No. 139-8063	6
Hydraulic Drive Assembly	8
LH Transaxle Assembly No. 145-3696	10
RH Transaxle Assembly No. 145-3695	12
Throttle, Choke Cables and Guard Assembly	14
Fuel System Assembly	16
Fuel Tank Assembly No. 139-6722	18
Tank Retainer Assembly	20
Motion Control Assembly	22
Left and Right Control Arm Assembly	24
Caster Wheel Assembly	26
Caster Wheel and Fork Assembly	28
Rear Wheel Assembly	30
Electrical Assembly	32
Wire Harness Assembly No. 139-8078	34
Deck Lift Assembly	36
Deck Strut Assembly No. 140-1179	38
Engine, Clutch and Muffler Assembly	40
Seat Suspension Platform Assembly	42
Seat Assembly No. 144-2631	44
Decal Assembly	46
Deck Assembly	48
Deck Decal Assembly No. 147-4997	50
Spindle Assembly No. 137-9780	52
Deflector Assembly No. 144-2635	54
Idler Arm Assembly No. 139-1087	56
Attachments and Accessories	58

Frame Assembly (continued)

<i>Ref.</i>	<i>Part Number</i>	<i>Qty.</i>	<i>Description</i>	<i>Ref.</i>	<i>Part Number</i>	<i>Qty.</i>	<i>Description</i>
1	147-7833	1	Frame ASM-60	14	3234-42	8	Screw-HHF
1:1		1	Frame ASM-60 ●	15	131-8834	2	Bumper
1:1:2	126-4363	2	Decal-Warning	17	138-9753	6	Screw
1:1:3	144-2687	1	Decal, Belt Routing	25	140-4994-01	1	Bracket-Light
2	139-8063	1	ASM-ROPS	28	140-4997-01	1	Toeboard
12	139-6717-01	1	Plate-Hydro	30	3296-42	2	Nut-Lock, NI
13	109-6658	8	Nut-Flange, NI				

● Not serviced separately

Roll-Over Protection System Assembly No. 139-8063

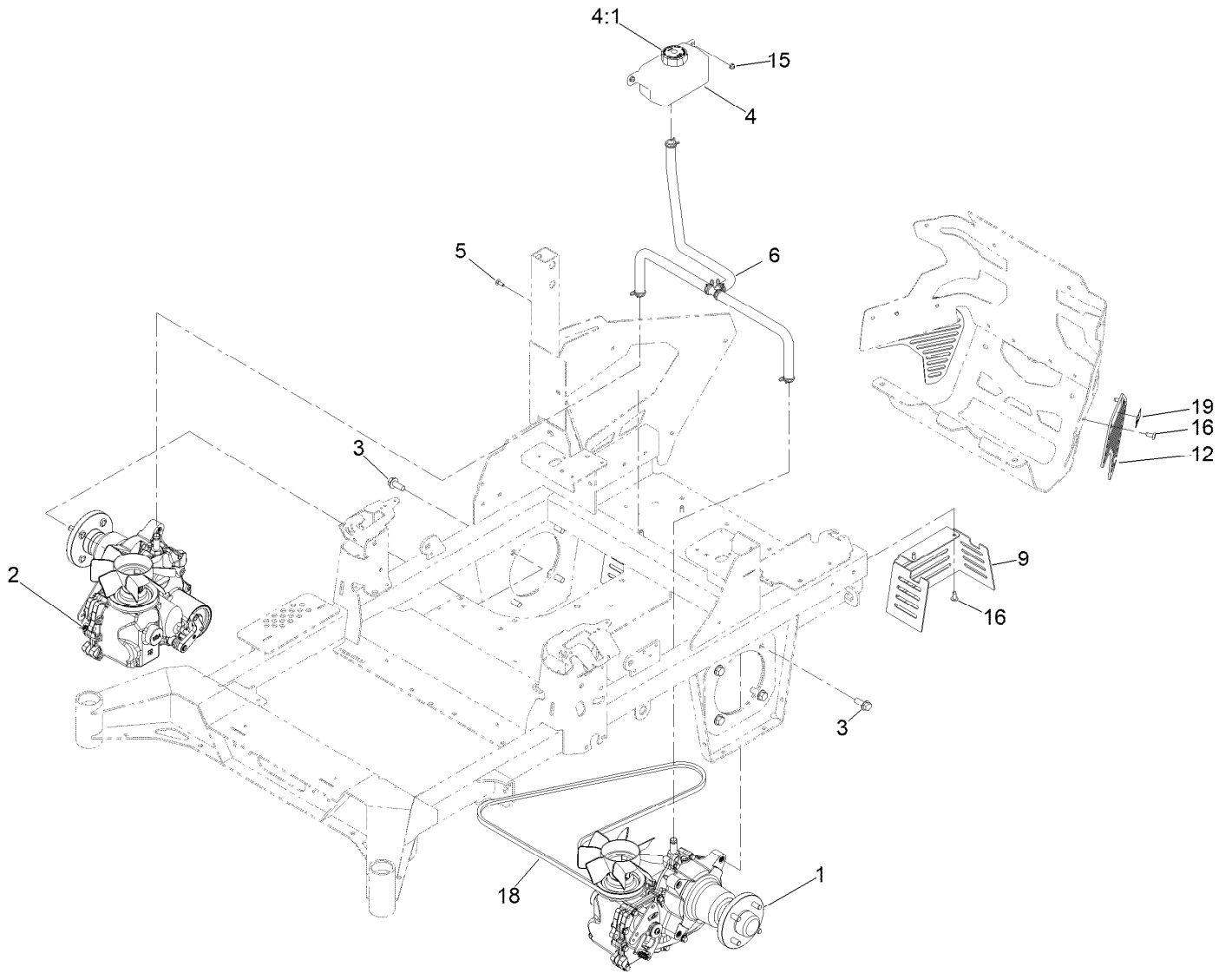


Roll-Over Protection System Assembly No. 139-8063 (continued)

<i>Ref.</i>	<i>Part Number</i>	<i>Qty.</i>	<i>Description</i>	<i>Ref.</i>	<i>Part Number</i>	<i>Qty.</i>	<i>Description</i>
1		1	Upper ROPS ASM ●	4	126-9209	2	Bolt-Shoulder
1:2	107-3069	1	Decal-Warning	5	161-4477	2	ROPS Pin ASM
2		1	ASM-ROPS, RH Suspension [black] ●	6	99-5107	6	Nut-HF Nylock
3		1	ASM-ROPS, LH Suspension [black] ●	7	109-5337	2	Bumper-ROPS
				8	109-9505	4	Washer-Spring
				9	325-13	4	Screw-HH

● Not serviced separately

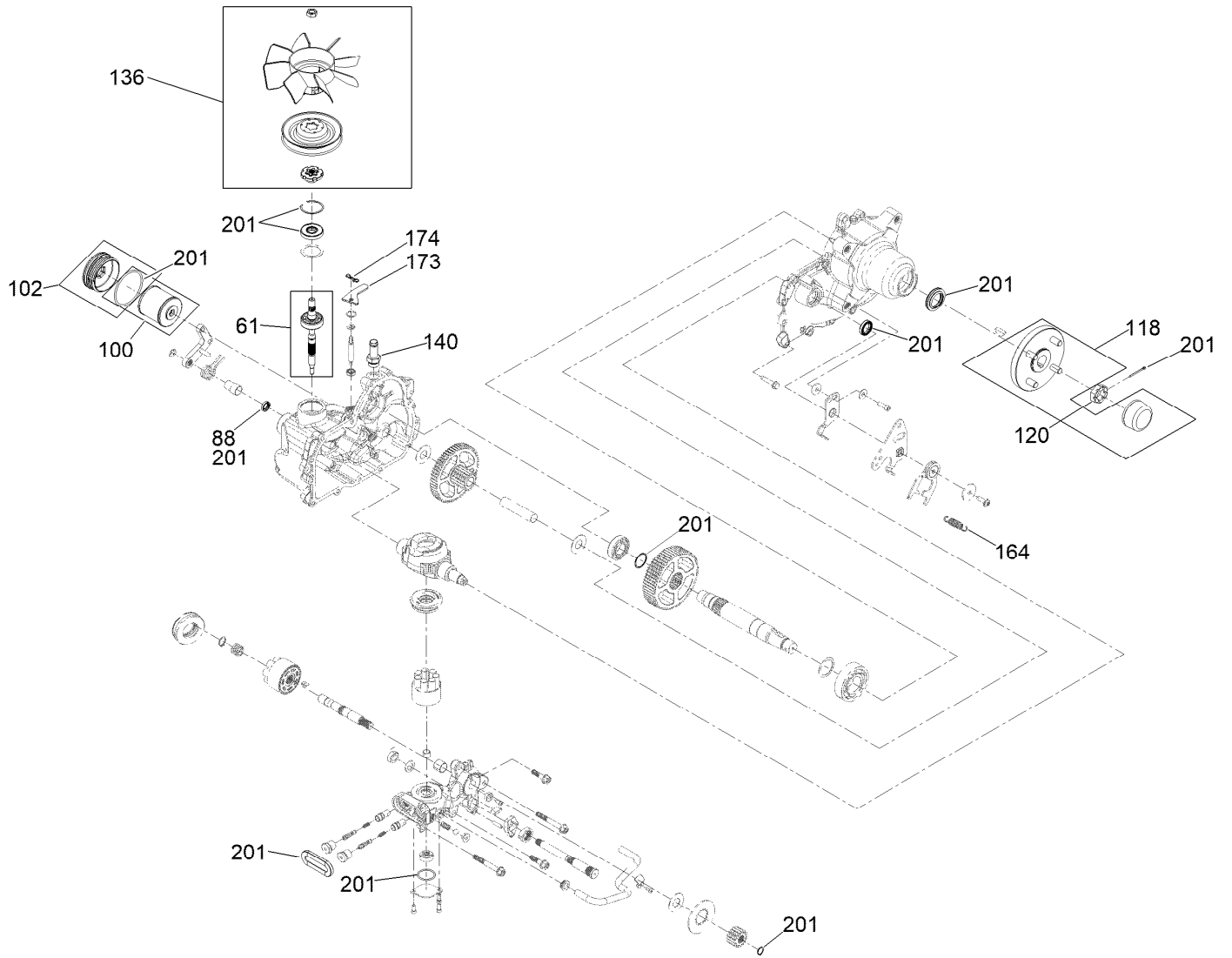
Hydraulic Drive Assembly



Hydraulic Drive Assembly (continued)

<i>Ref.</i>	<i>Part Number</i>	<i>Qty.</i>	<i>Description</i>	<i>Ref.</i>	<i>Part Number</i>	<i>Qty.</i>	<i>Description</i>
1	145-3696	1	LH Transaxle ASM W/Arm	9	145-1949-03	2	Guard-Clutch [black]
2	145-3695	1	RH Transaxle ASM W/Arm	12	144-6591-03	2	Guard-Muffler, Te
3	3234-38	8	Screw-HHF	15	104-7201	2	Nut-HF, NI
4	119-9908	1	Hydraulic Reservoir ASM	16	138-9753	8	Screw
4:1	109-3320	1	Cap-Reservoir, HYD	18	140-7994	1	Belt-V
5	3229-28	2	Screw-CARR	19	106-5517	2	Decal-Warning
6	140-1225	1	ASM-Hose, Hydraulic				

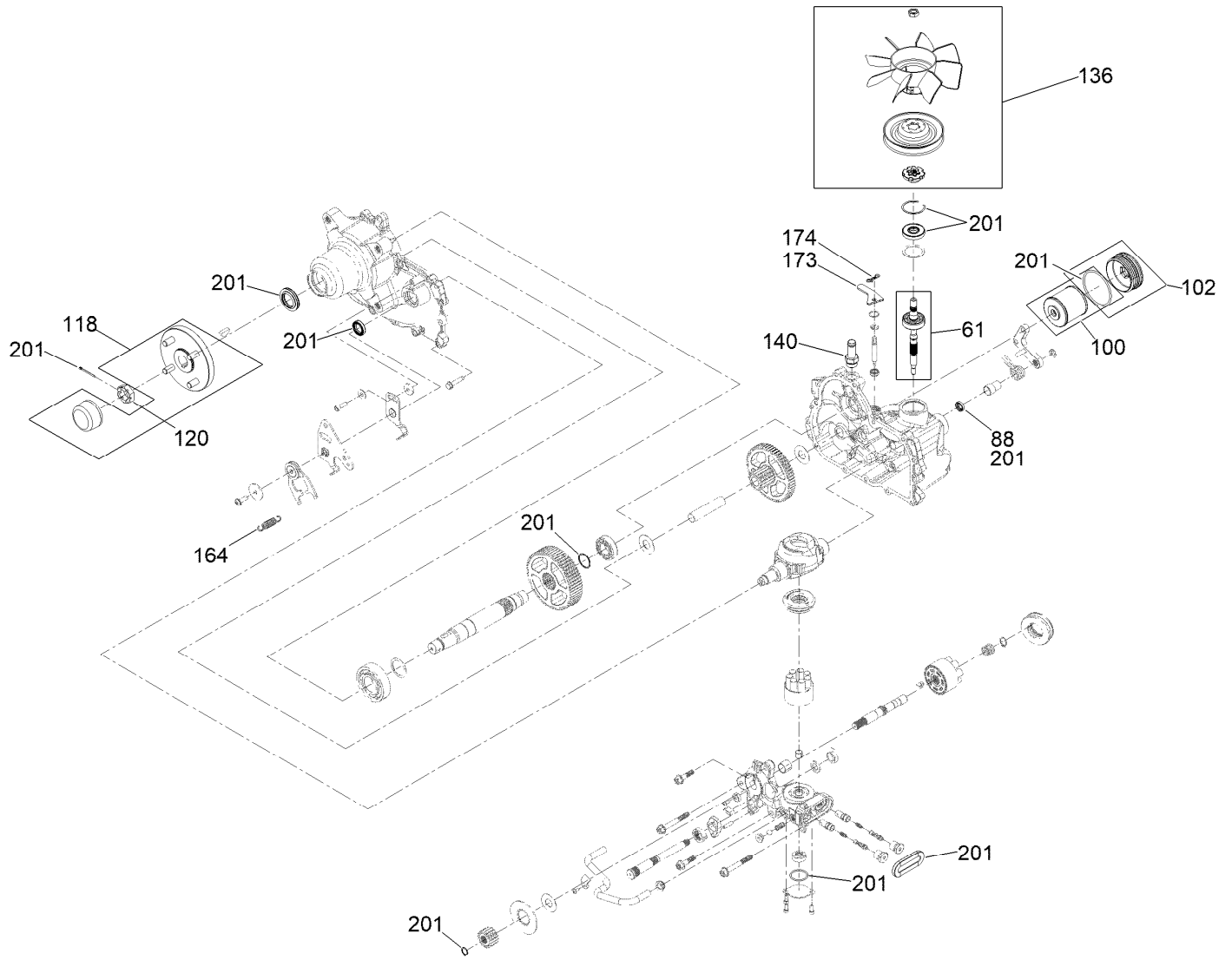
LH Transaxle Assembly No. 145-3696



LH Transaxle Assembly No. 145-3696 (continued)

<i>Ref.</i>	<i>Part Number</i>	<i>Qty.</i>	<i>Description</i>	<i>Ref.</i>	<i>Part Number</i>	<i>Qty.</i>	<i>Description</i>
61	147-1671	1	Kit, Input Shaft	136	144-6597	1	Kit, Fan And Pulley
88	145-3637	1	Seal, Brake	140	144-6601	1	Fitting-5/8 Beaded, 7/8 SAE
100	144-6598	1	Kit, Filter	164	125-4684	1	Spring-Extension
102	144-6599	1	Kit, Filler Cap	173	139-8091	1	Plate-Lever, Bypass
118	144-6594	1	Hub-4 Bolt	174	119-1415	1	Pin-Cotter, Locking
120	144-6595	1	Nut, Slotted	201	144-6600	1	Kit, Seal

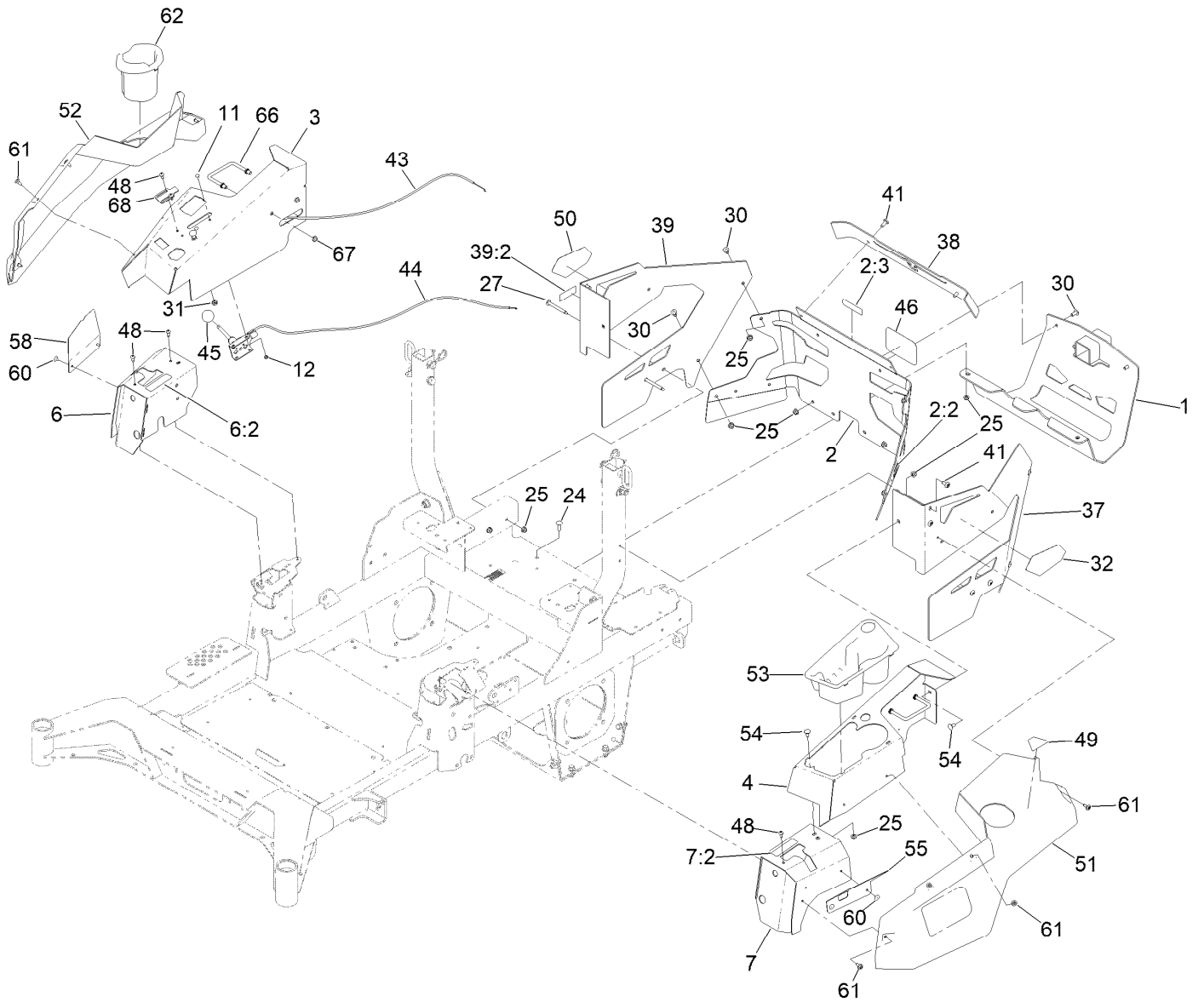
RH Transaxle Assembly No. 145-3695



RH Transaxle Assembly No. 145-3695 (continued)

<i>Ref.</i>	<i>Part Number</i>	<i>Qty.</i>	<i>Description</i>	<i>Ref.</i>	<i>Part Number</i>	<i>Qty.</i>	<i>Description</i>
61	147-1671	1	Kit, Input Shaft	136	144-6597	1	Kit, Fan And Pulley
88	145-3637	1	Seal, Brake	140	144-6601	1	Fitting-5/8 Beaded, 7/8 SAE
100	144-6598	1	Kit, Filter	164	125-4684	1	Spring-Extension
102	144-6599	1	Kit, Filler Cap	173	139-8091	1	Plate-Lever, Bypass
118	144-6594	1	Hub-4 Bolt	174	119-1415	1	Pin-Cotter, Locking
120	144-6595	1	Nut, Slotted	201	144-6600	1	Kit, Seal

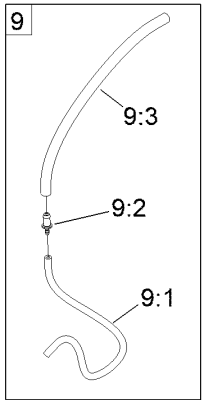
Throttle, Choke Cables and Guard Assembly



Throttle, Choke Cables and Guard Assembly (continued)

<i>Ref.</i>	<i>Part Number</i>	<i>Qty.</i>	<i>Description</i>	<i>Ref.</i>	<i>Part Number</i>	<i>Qty.</i>	<i>Description</i>
1	147-2408-03	1	Guard-Muffler	39:2	133-8062	1	Decal-Spark Arrestor
2	161-6769	1	Rear Guard ASM	41	138-9753	6	Screw
2:2	106-5517	2	Decal-Warning	43	139-6735	1	Cable-Control, Choke
2:3	161-6763	1	Decal-Hitch	44	139-6734	1	Cable-Control, Throttle
3	144-6551-01	1	Console-RH	45	1-603175	1	Knob-Ball
4	145-1287-01	1	Console-LH	46	105-8278	1	Decal
6	140-4867	1	RH Cover ASM	48	87-6620	6	Screw-Tph Thd Form
6:2	99-8936	1	Decal-Control, Motion	49	126-9939	1	Decal-Fill, Fuel
7	140-4866	1	LH Cover ASM	50	140-7987	1	Decal-4000 Series, RH
7:2	99-8936	1	Decal-Control, Motion	51	140-7979	1	Side Pod, LH
11	1-807513	2	Bolt-CARR	52	140-7980	1	Side Pod, RH
12	3296-2	2	Nut-Lock, NI	53	140-7968	1	Cup Holder
24	3230-22	2	Screw-CARR	54	3230-18	4	Screw-CARR
25	104-8300	16	Nut-HF, NI	55	140-7996-03	1	Plate-Cover, LH Front
27	126-6267	4	Screw-TTH	58	140-7998-03	1	Plate-Cover, RH Front
30	126-6268	6	Screw-TTH	60	130-8451	4	Rivet-Trifold
31	3220-3	1	Nut-HJ	61	120-7950	8	Screw-Torx
32	139-1149	1	Decal - 4000 Series, LH	62	140-8019	1	Cupholder-RH
37	145-6964-01	1	Guard-Rear, LH	66	144-2642	2	Rod-Support, Pod
38	140-1221-01	1	Guard-Rear, Top	67	3296-59	4	Nut-Lock, NI
39	145-7012	1	RH Rear Guard ASM	68	144-6550	1	Plate-Throttle Stop

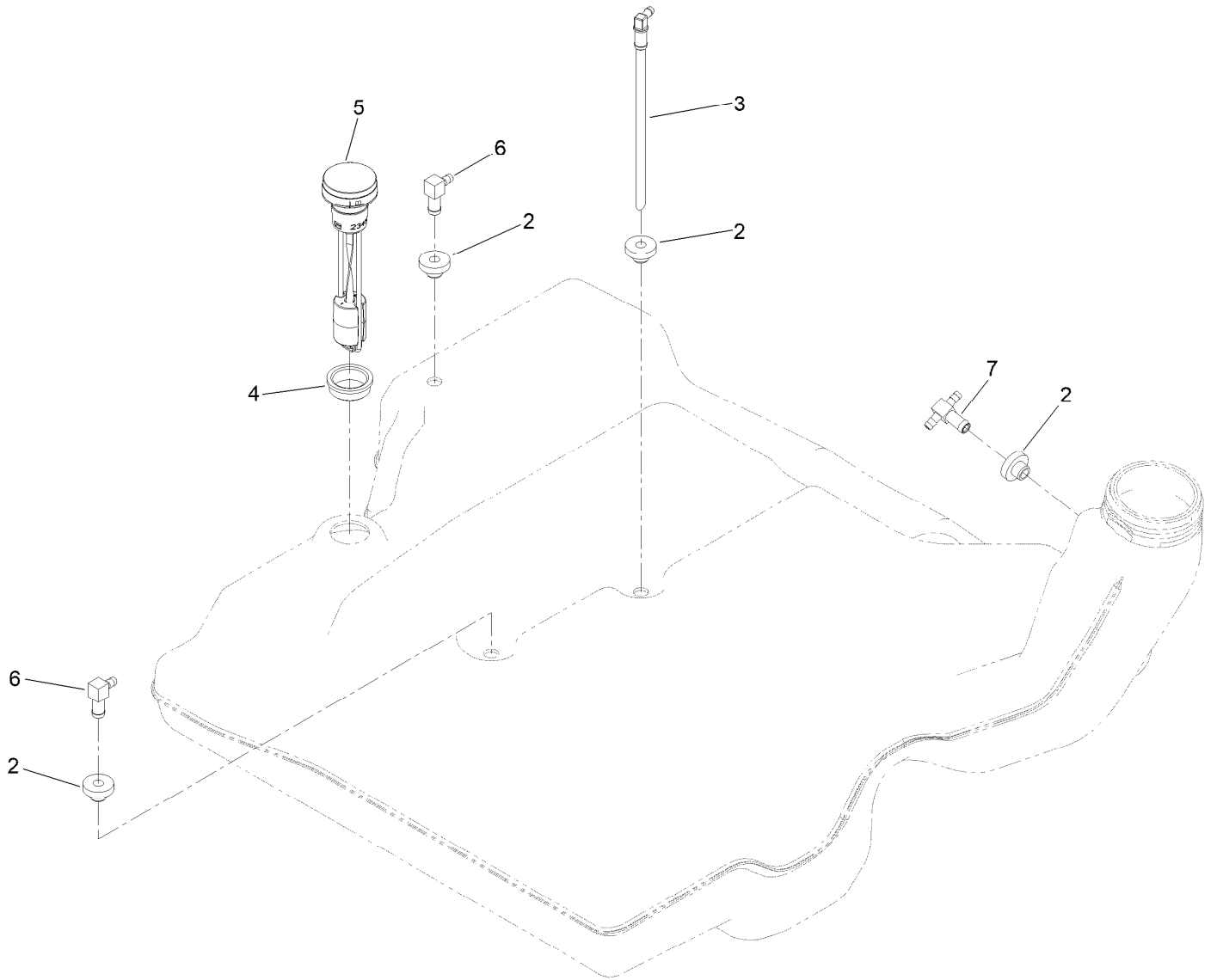
Fuel System Assembly



Fuel System Assembly (continued)

<i>Ref.</i>	<i>Part Number</i>	<i>Qty.</i>	<i>Description</i>	<i>Ref.</i>	<i>Part Number</i>	<i>Qty.</i>	<i>Description</i>
1	139-6722	1	*obs* Fuel Tank ASM	7:1	109-0298	1	Line-Fuel
2	137-4119	1	Cap-Fuel, Ratcheting	7:2	114-3766	1	Hose-Fuel
3	104-2490	2	Clamp-Hose	7:3	1-603770	1	Valve-Fuel
4	131-8834	2	Bumper	7:4	2412-98	4	Clamp-Hose
5	104-7201	2	Nut-HF, NI	8	126-5523	3	Clip
6	139-8067	1	Vent Hose ASM	9	140-4957	1	ASM-Fuel Vent
6:1	138-3152	2	Hose-Fuel	9:1	138-3152	1	Hose-Fuel
6:2	120-2234	1	Fitting-Tee	9:2	116-4630	1	Fitting-Orifice, Straight
6:3	140-4956	1	Hose-Fuel	9:3	116-4344	1	Hose-Fuel
7	139-8068	1	Fuel Hose ASM				

Fuel Tank Assembly No. 139-6722



Fuel Tank Assembly No. 139-6722 (continued)

<i>Ref.</i>	<i>Part Number</i>	<i>Qty.</i>	<i>Description</i>	<i>Ref.</i>	<i>Part Number</i>	<i>Qty.</i>	<i>Description</i>
2	46-6560	4	Bushing	5	139-8058	1	Gauge-Fuel
3	140-4955	1	Connector Elbow-90 DEG	6	126-9057	2	Fitting-90 DEG
4	133-9269	1	Grommet-Fuel	7	140-4954	1	*obs* Fitting-Tee

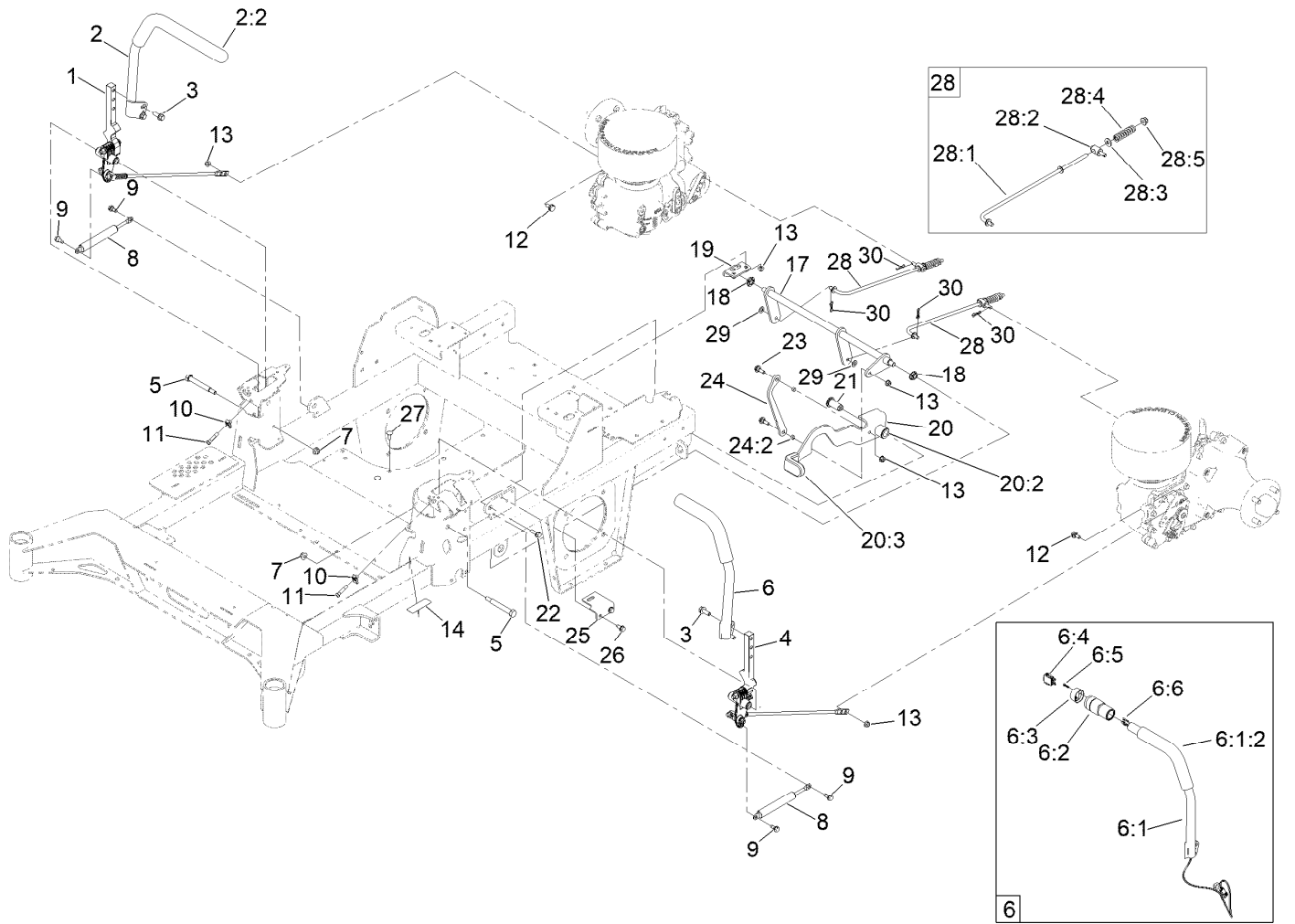
Tank Retainer Assembly



Tank Retainer Assembly (continued)

<i>Ref.</i>	<i>Part Number</i>	<i>Qty.</i>	<i>Description</i>	<i>Ref.</i>	<i>Part Number</i>	<i>Qty.</i>	<i>Description</i>
4	104-8300	2	Nut-HF, NI	10	138-9753	4	Screw
6	139-6706-03	1	Plate-Tank Retainer, Front	12	135-0505	4	Bumper-Seat
7	147-2436-03	1	Plate-Tank Retainer, Rear	13	1-543286	1	Grommet
8	3230-23	2	Bolt-CARR	16	109-9233	1	Bumper-Push-In, Rubber

Motion Control Assembly

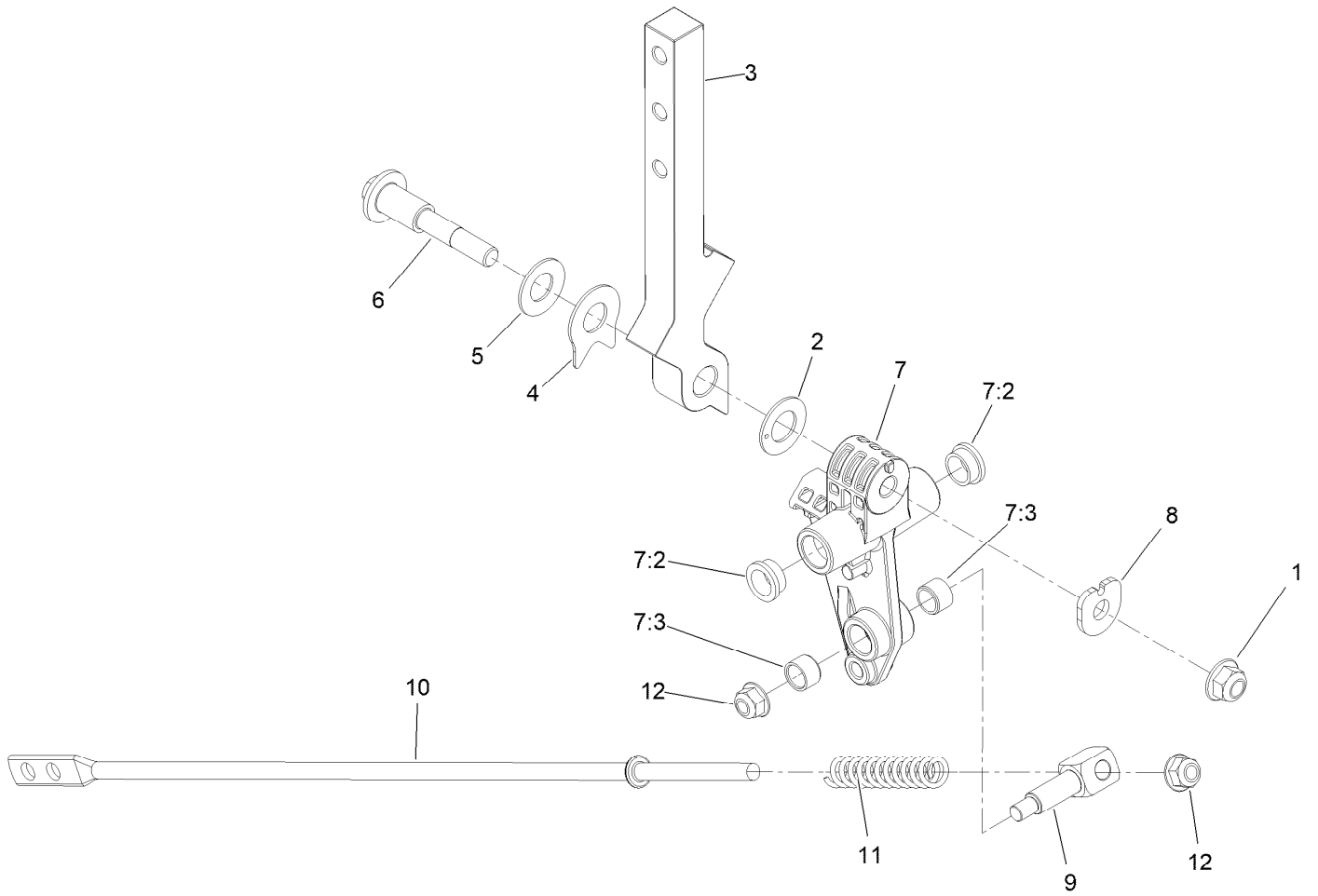


Motion Control Assembly (continued)

<i>Ref.</i>	<i>Part Number</i>	<i>Qty.</i>	<i>Description</i>	<i>Ref.</i>	<i>Part Number</i>	<i>Qty.</i>	<i>Description</i>
1	147-5046	1	Motion Control ASM-RH	17	144-2658	1	Brake ASM
2	147-2390	1	RH Handle ASM	18	126-5820	2	Bearing-Spherical
2:2	109-5668	1	Grip-Lever, Control	19	139-6742	1	Bracket-Brake
3	110-5052	4	Screw-HHF	20	139-6726	1	Brake Lever ASM W/Grip
4	147-5047	1	Motion Control ASM-LH	20:2	109-8054	2	Bushing-Flange
5	115-5099	2	Bolt-Pivot	20:3	132-4749	1	Grip-Lever
6	147-4991	1	Handle ASM-LH	21	139-6743	1	Pivot-Handle
6:1		1	Handle ASM-LH ●	22	3234-29	1	Screw-HHF
6:1:2	109-5668	1	Grip-Lever, Control	23	116-2670	2	Screw-Shoulder
6:2	125-2662	1	Case ASM	24	144-6566	1	Brake Link ASM
6:3	121-3399	1	Cap-Switch	24:2	116-4976	2	Bushing-Sleeve
6:4	140-1228	1	Switch, Spdt (On)-Off-(On)	25	139-6745	1	Plate-Switch
6:5	94-4496	2	Screw-PPH	26	32144-70	2	Screw-HWHTF
6:6	144-0354	1	Harness-Wire, Handle	27	3230-23	2	Bolt-CARR
7	104-8301	2	Nut-HF, NI	28	144-0353	2	Brake Rod ASM
8	142-6851	2	Damper	28:1	140-4952	1	Rod-Brake
9	126-4424	4	Screw-Shoulder	28:2	139-6741	1	Fitting-Rod
10	112-3306	2	Nut	28:3	3256-3	1	Washer-Flat
11	126-4299	2	Screw-HSBH	28:4	144-2645	1	Spring-Compression
12	37-8771	2	Bolt-Shoulder, HF	28:5	104-8301	1	Nut-HF, NI
13	104-8300	6	Nut-HF, NI	29	3256-45	2	Washer-Flat
14	115-9625	1	Decal-Brake, Parking	30	119-1415	4	Pin-Cotter, Locking

● Not serviced separately

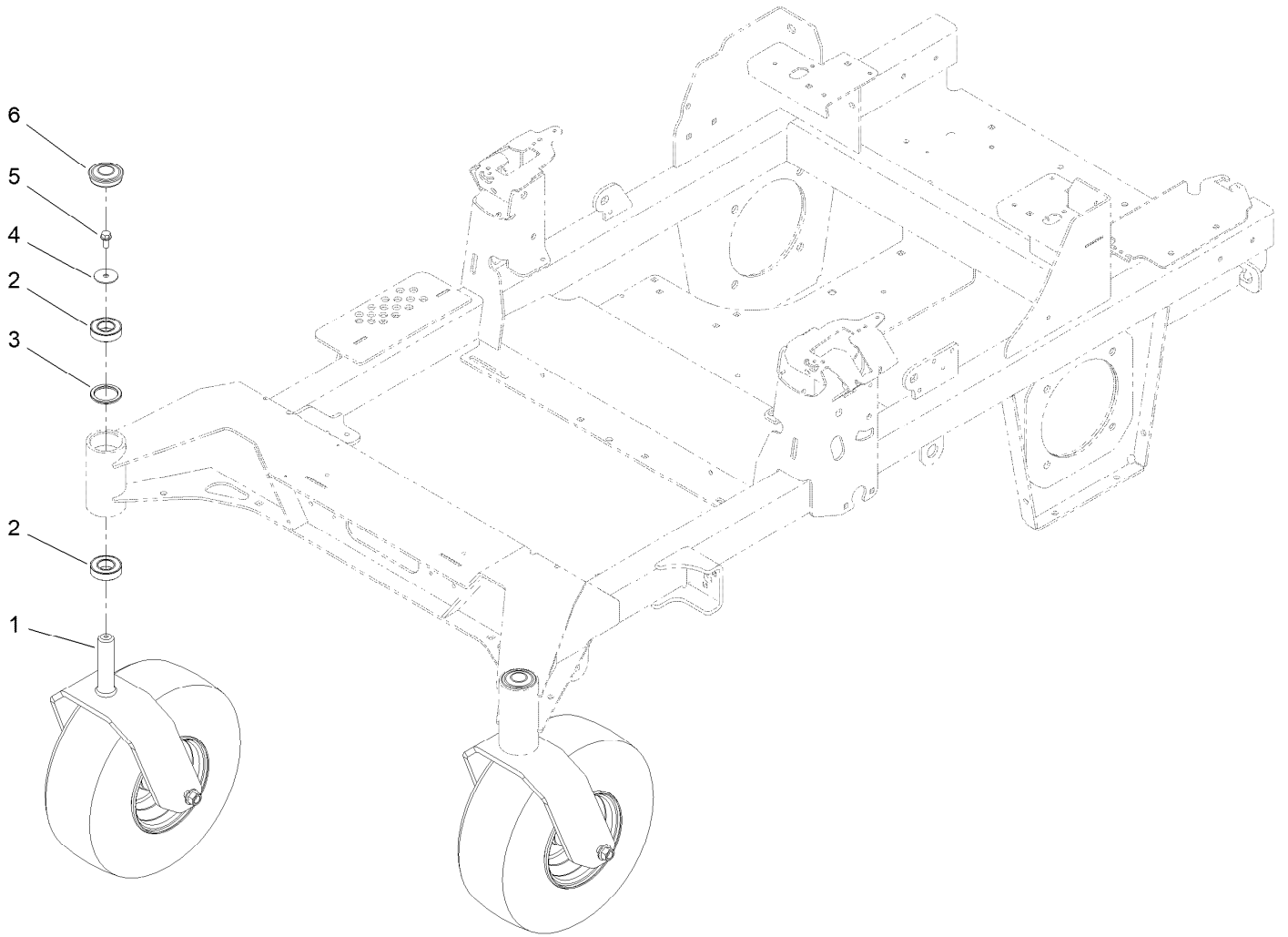
Left and Right Control Arm Assembly



Left and Right Control Arm Assembly (continued)

<i>Ref.</i>	<i>Part Number</i>	<i>Qty.</i>	<i>Description</i>	<i>Ref.</i>	<i>Part Number</i>	<i>Qty.</i>	<i>Description</i>
1	104-8301	1	Nut-HF, NI	7:2	126-8909	2	Bushing
2	126-7296	1	Washer-Friction	7:3	1-413152	2	Bushing-Sleeve
3	147-2389	1	Arm-Control	8	147-5048	1	Spacer-Actuator
4	142-8478	1	Spacer, Anti-Rotation	9	126-5434	1	Swivel
5	119-8925	1	Washer-Belleville	10	140-4949	1	Link-Control
6	117-1198	1	Bolt-Pivot	11	126-8195	1	Spring-Return, Neutral
7	145-5798	1	ASM-Control Arm	12	104-8300	2	Nut-HF, NI

Caster Wheel Assembly

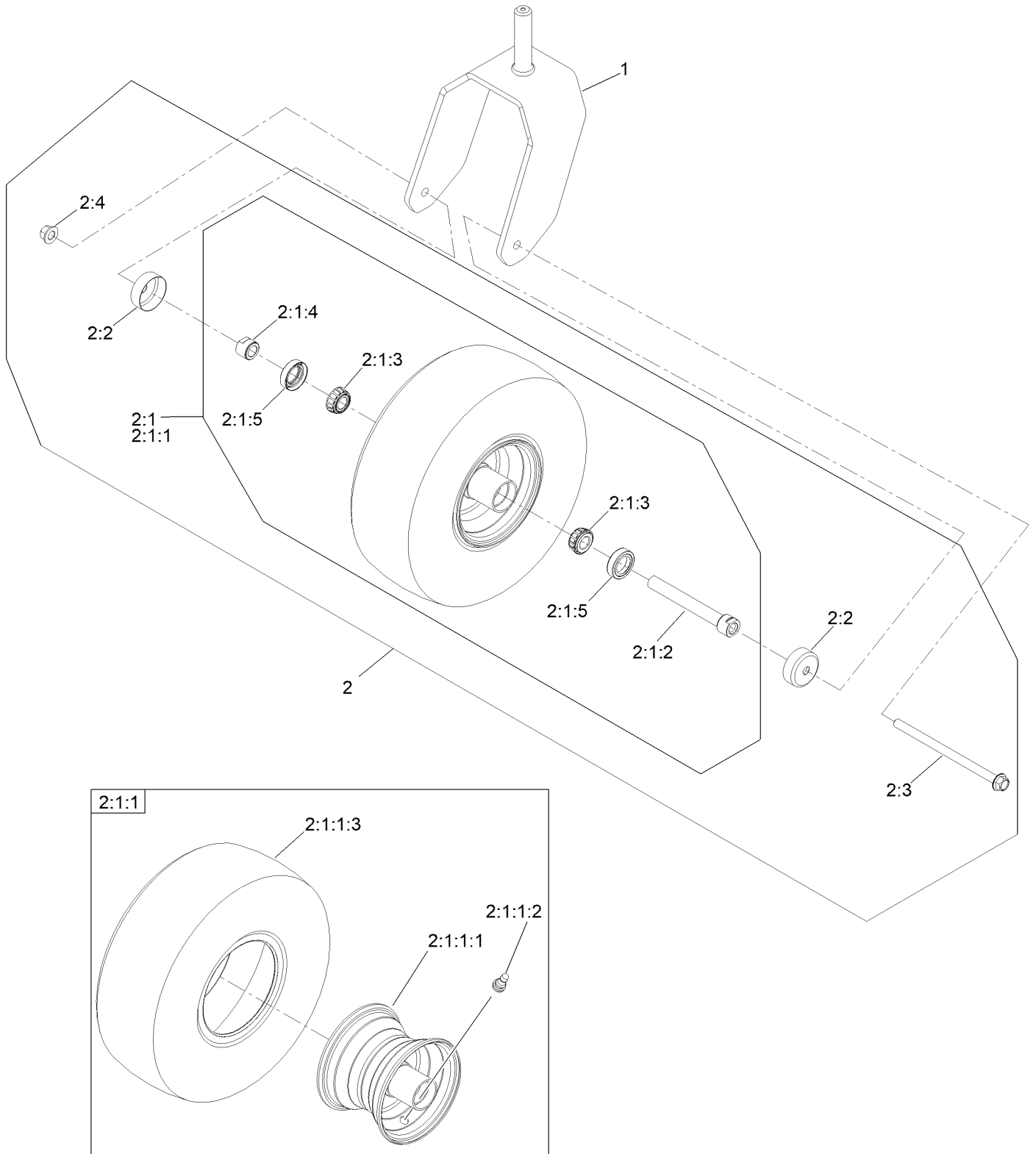


Caster Wheel Assembly (continued)

<i>Ref.</i>	<i>Part Number</i>	<i>Qty.</i>	<i>Description</i>	<i>Ref.</i>	<i>Part Number</i>	<i>Qty.</i>	<i>Description</i>
1		2	ASM-Front Caster W/Fork ●	4	3256-68	2	Washer-Flat
2	109-3678	4	Bearing-Ball	5	100-1668	2	Screw-HHF
3	145-3660	2	Spacer-Bearing	6	144-0375	2	Cap-Grease

● Not serviced separately

Caster Wheel and Fork Assembly

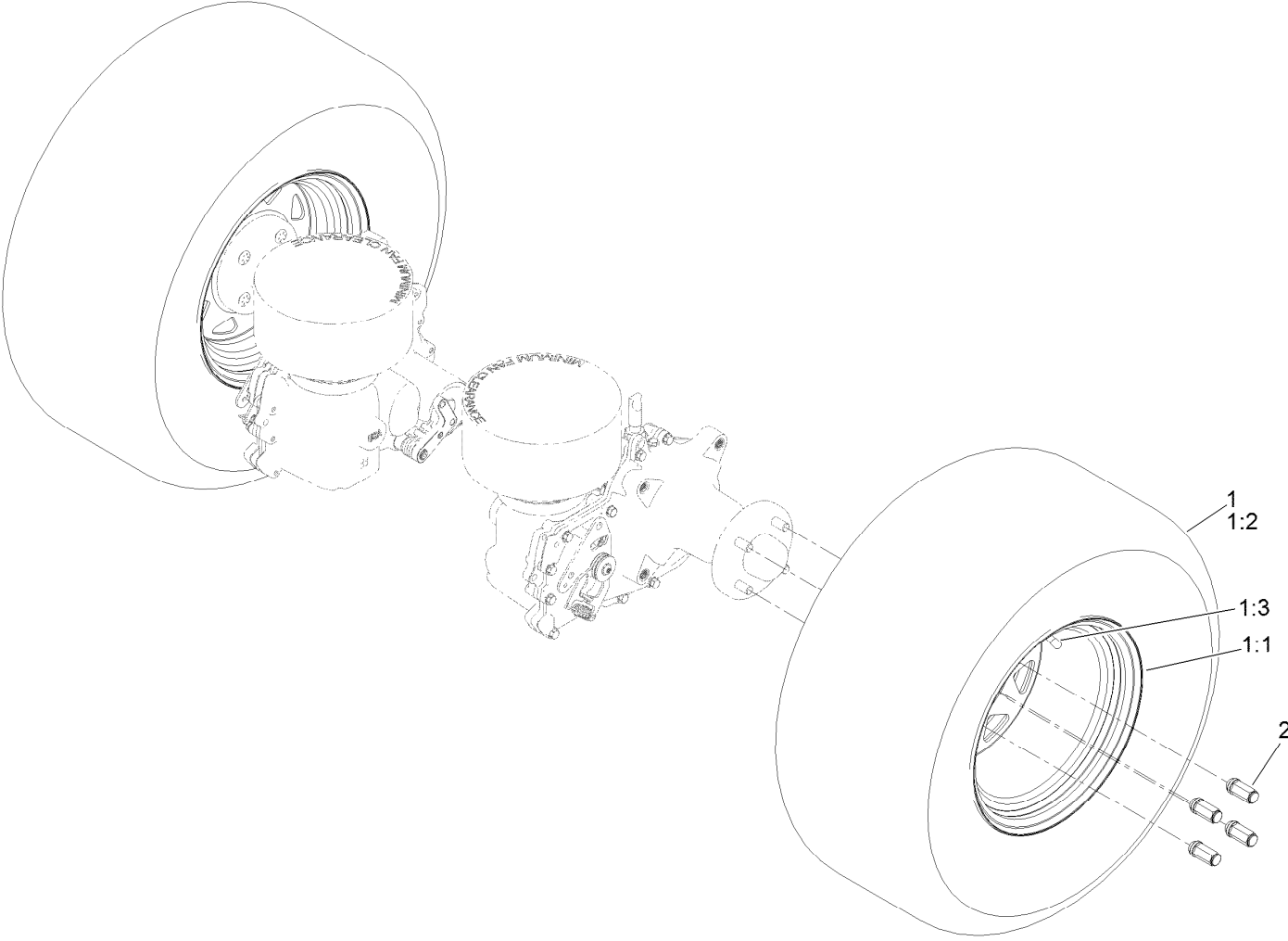


Caster Wheel and Fork Assembly (continued)

<i>Ref.</i>	<i>Part Number</i>	<i>Qty.</i>	<i>Description</i>	<i>Ref.</i>	<i>Part Number</i>	<i>Qty.</i>	<i>Description</i>
1	147-0295-01	1	15In Caster Fork [red]	2:1:2	126-7796	1	Caster Axle ASM
2	140-4943	1	ASM-Pneumatic 15X6.50-6	2:1:3	1-633585	2	Bearing-Cone, Taper
2:1		1	ASM Whl/Brgs 15X6.5-6 ●	2:1:4	103-3051	1	Spacer-Nut
2:1:1	140-4945	1	Wheel And Tire ASM 15X6.5-6	2:1:5	103-0063	2	Seal-Caster
2:1:1:1	139-3624	1	Wheel Rim 6X4.5	2:2	103-2768	2	Guard-Seal
2:1:1:2	5108	1	Valve	2:3	126-5389	1	Screw-HHF
2:1:1:3	140-4946	1	Tire	2:4	99-5107	1	Nut-HF Nylock

● Not serviced separately

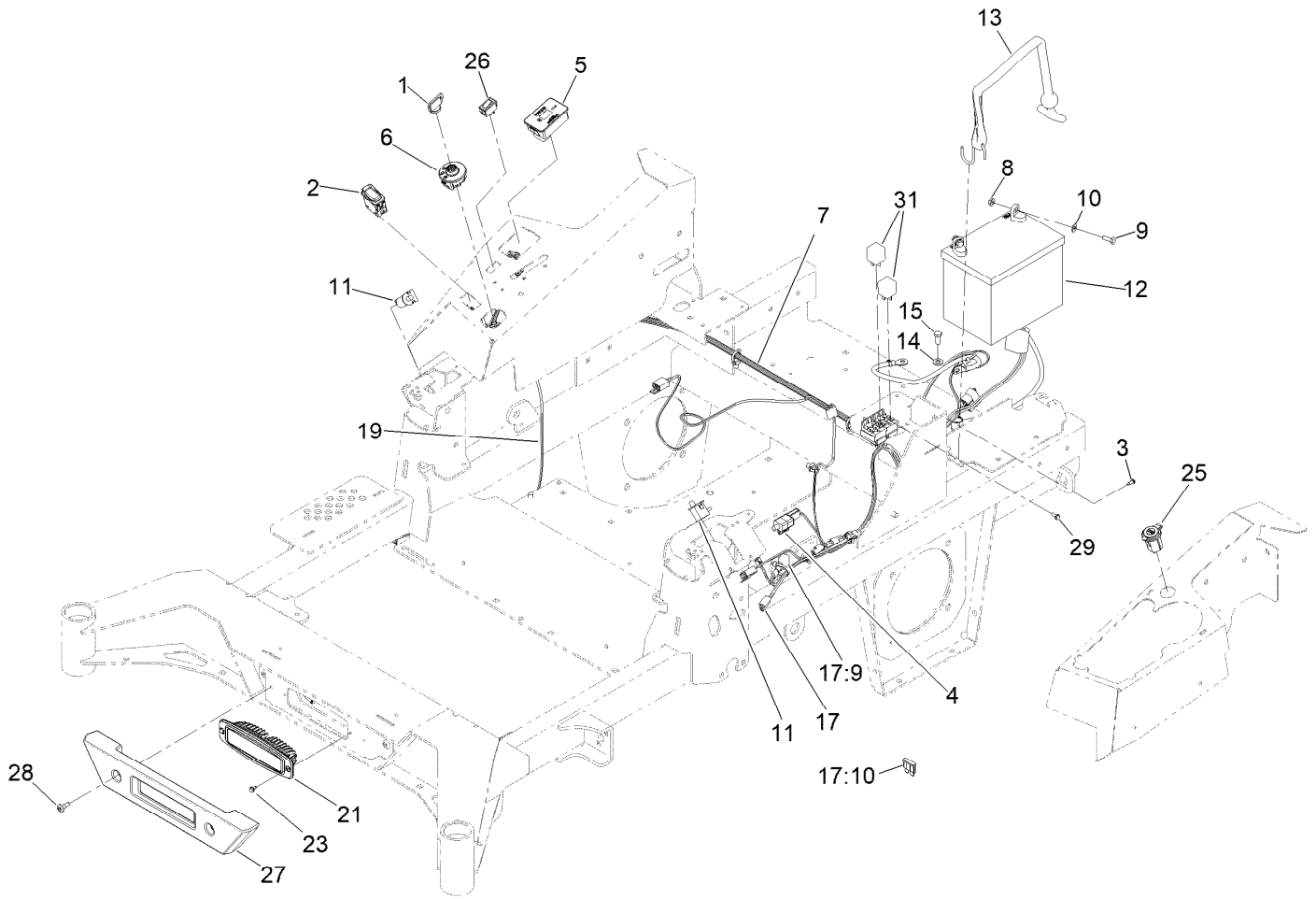
Rear Wheel Assembly



Rear Wheel Assembly (continued)

<i>Ref.</i>	<i>Part Number</i>	<i>Qty.</i>	<i>Description</i>	<i>Ref.</i>	<i>Part Number</i>	<i>Qty.</i>	<i>Description</i>
1	144-6620	2	Wheel And Tire ASM	1:3	232-27	1	Stem-Valve
1:1	144-6606	1	Wheel	2	139-2564	8	Nut-Lug
1:2	140-7986	1	Tire				

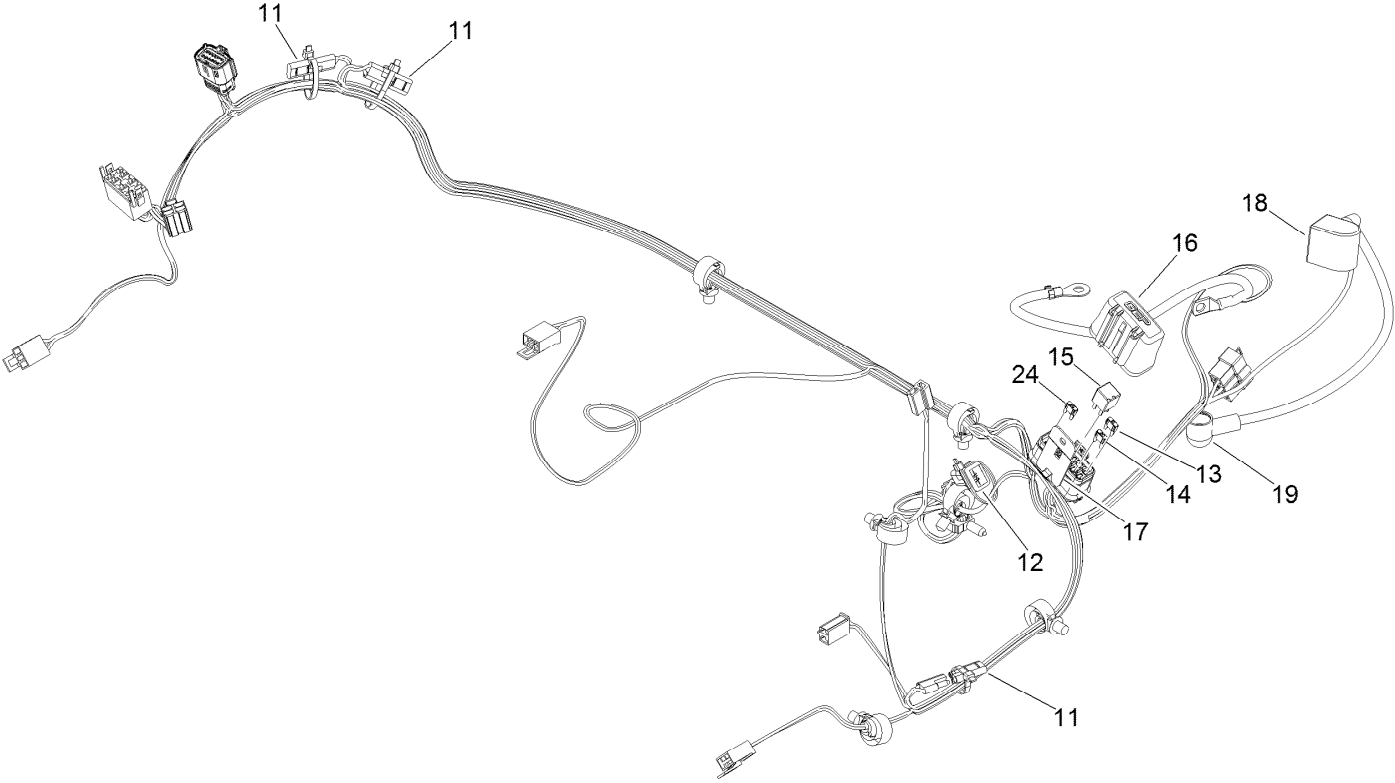
Electrical Assembly



Electrical Assembly (continued)

<i>Ref.</i>	<i>Part Number</i>	<i>Qty.</i>	<i>Description</i>	<i>Ref.</i>	<i>Part Number</i>	<i>Qty.</i>	<i>Description</i>
1	1-603511	1	Keys-Ignition (Spare Pair)	14	33094-00	1	Washer-Plain
1	63-8360	1	Key-Ignition	15	33114-020	1	Screw-HH
2	139-6368	1	Switch-Rocker, On-None-On	17	140-1200	1	Harness-Wire, Deck Lift
3	99-8445	1	Screw-HWH	17:9	103-3895	1	Diode
4	110-6765	1	Switch	17:10	109101	1	Fuse-Blade, 20 Amp
5	116-5609	1	Module ASM	19	140-1213	1	Harness-Wire, Light Kit
6	137-4100	1	Switch-Ignition	21	139-8089	1	Light - Flush Mount
7	139-8078	1	Harness-Wire	23	104-2065	2	Screw-HWH
8	32128-33	2	Nut-HF	25	140-7955	1	Port-Power, USB
9	321-4	2	Screw-HH	26	92-8875	1	Switch-Rocker
10	3256-22	2	Washer-Flat	27	147-7853	1	Bumper-Front
11	82-2190	2	Switch-Bail	28	135-2015	2	Screw-Shoulder
12	104-8162	1	Battery	29	32144-1	1	Screw-Taptite
13	142-8697	1	Strap, Bungee	31	1-643275	2	Relay

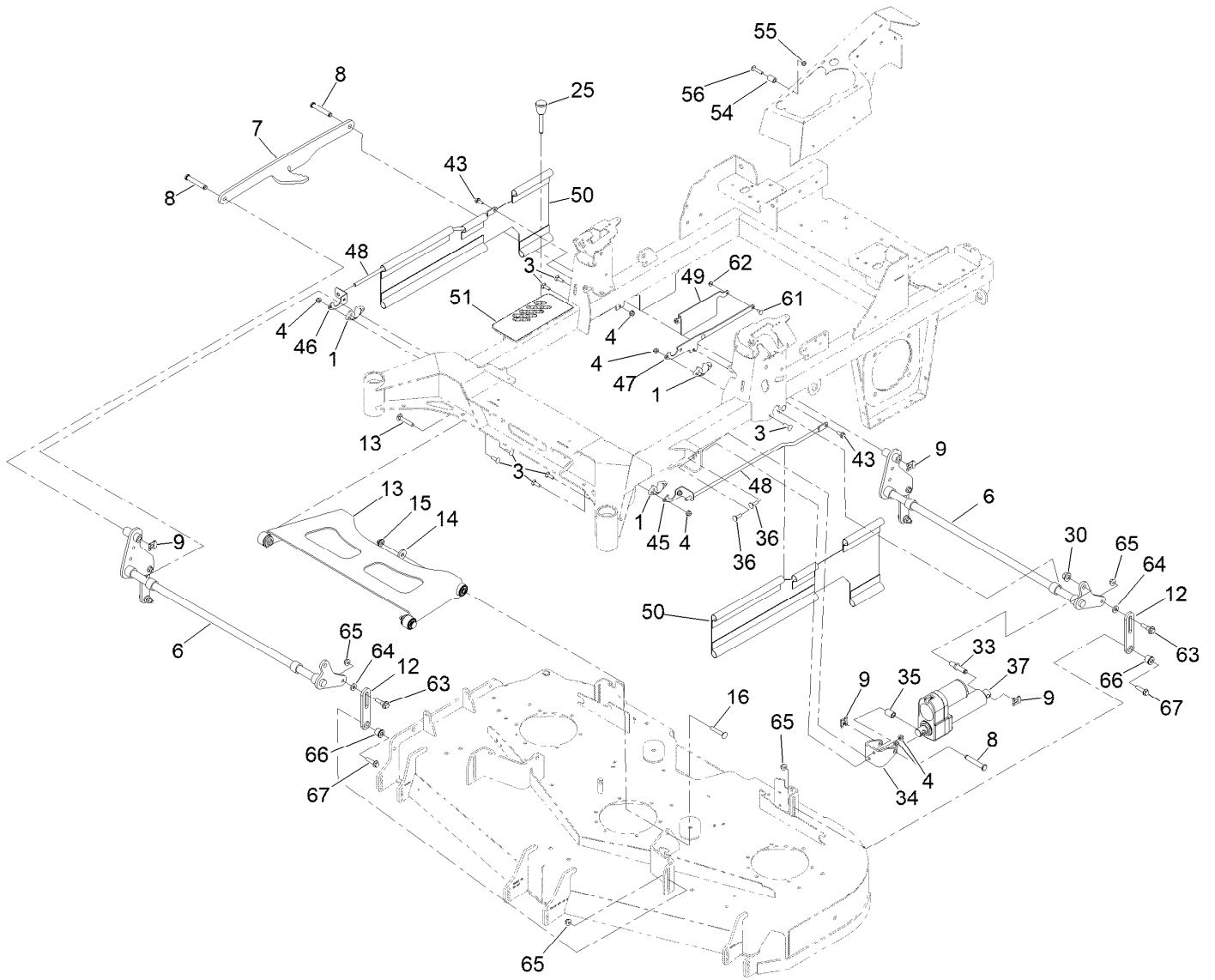
Wire Harness Assembly No. 139-8078



Wire Harness Assembly No. 139-8078 (continued)

<i>Ref.</i>	<i>Part Number</i>	<i>Qty.</i>	<i>Description</i>	<i>Ref.</i>	<i>Part Number</i>	<i>Qty.</i>	<i>Description</i>
11	116-0053	3	Cap-Plug	16	32180-176	1	Cover-Block, Fuse
12	103-3895	1	Diode	17	32180-177	1	Clip-Mounting
13	121-8867	1	Fuse-Mini Blade, 15 Amp	18	126-8876	1	Insulator-Battery
14	121-8868	1	Fuse-Mini Blade, 20 Amp	19	1-543393	1	Insulator-Solenoid
15	126-3991	1	Relay-Micro	24	121-8869	1	Fuse-Mini Blade, 25 Amp

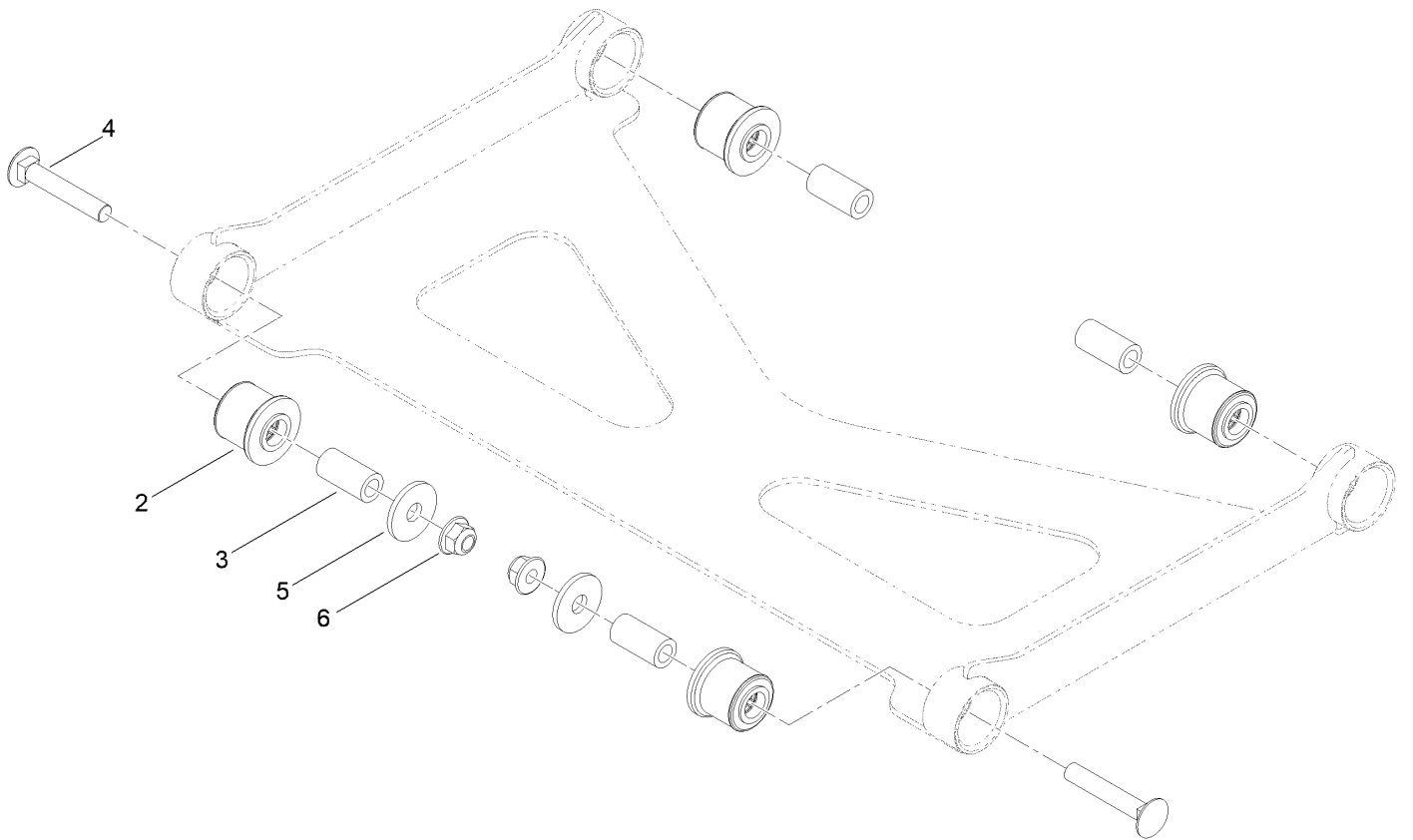
Deck Lift Assembly



Deck Lift Assembly (continued)

<i>Ref.</i>	<i>Part Number</i>	<i>Qty.</i>	<i>Description</i>	<i>Ref.</i>	<i>Part Number</i>	<i>Qty.</i>	<i>Description</i>
1	139-5872	4	Bearing-Flange	43	3234-47	2	Screw-HHF
3	3230-22	8	Screw-CARR	45	140-4918	1	Bracket-Mount, Upper Front (LH)
4	104-8300	14	Nut-HF, NI	46	140-4919	1	Bracket-Mount, Upper Front (RH)
6	140-4975-03	2	Shaft-Lift, Deck	47	145-1275	2	Bracket-Mounting, Upper
7	126-4639-03	1	Link-HOC	48	126-7760	2	Rod-Support, Upper
8	126-9181	3	Pin-Clevis	49	145-1276-03	2	Bracket-Flag
9	138-8491	4	Clip-Pin	50	126-8561	2	Guard-Side
12	161-9818-03	4	Link-Lift, Deck	51	140-4927	1	Decal-HOC, MM
13	140-1179	1	Deck Strut W/ Bushings ASM	54	114-2754	1	Spacer
14	1-373034	2	Washer	55	3296-47	1	Nut-Lock,NI
15	109-6658	2	Nut-Flange, NI	56	126-7439	1	Screw-Torx
16	3231-7	2	Screw-CARR	61	3229-11	4	Screw-CARR
25	126-5401	1	Pin-HOC	62	104-7201	4	Nut-HF, NI
30	99-5107	1	Nut-HF Nylock	63	130-0742	4	Bolt-Shoulder
33	139-8135	1	Pin-Pivot, Actuator	64	43-0940	4	Spacer
34	147-0271-01	1	CYL Mount Plate	65	104-8301	8	Nut-HF, NI
35	127-6751	1	Spacer-Aluminum	66	161-9819	4	Bushing-Deck Lift
36	3230-2	2	Bolt-CARR	67	3234-18	4	Screw-HHF
37	147-7868	1	Actuator-Linear				

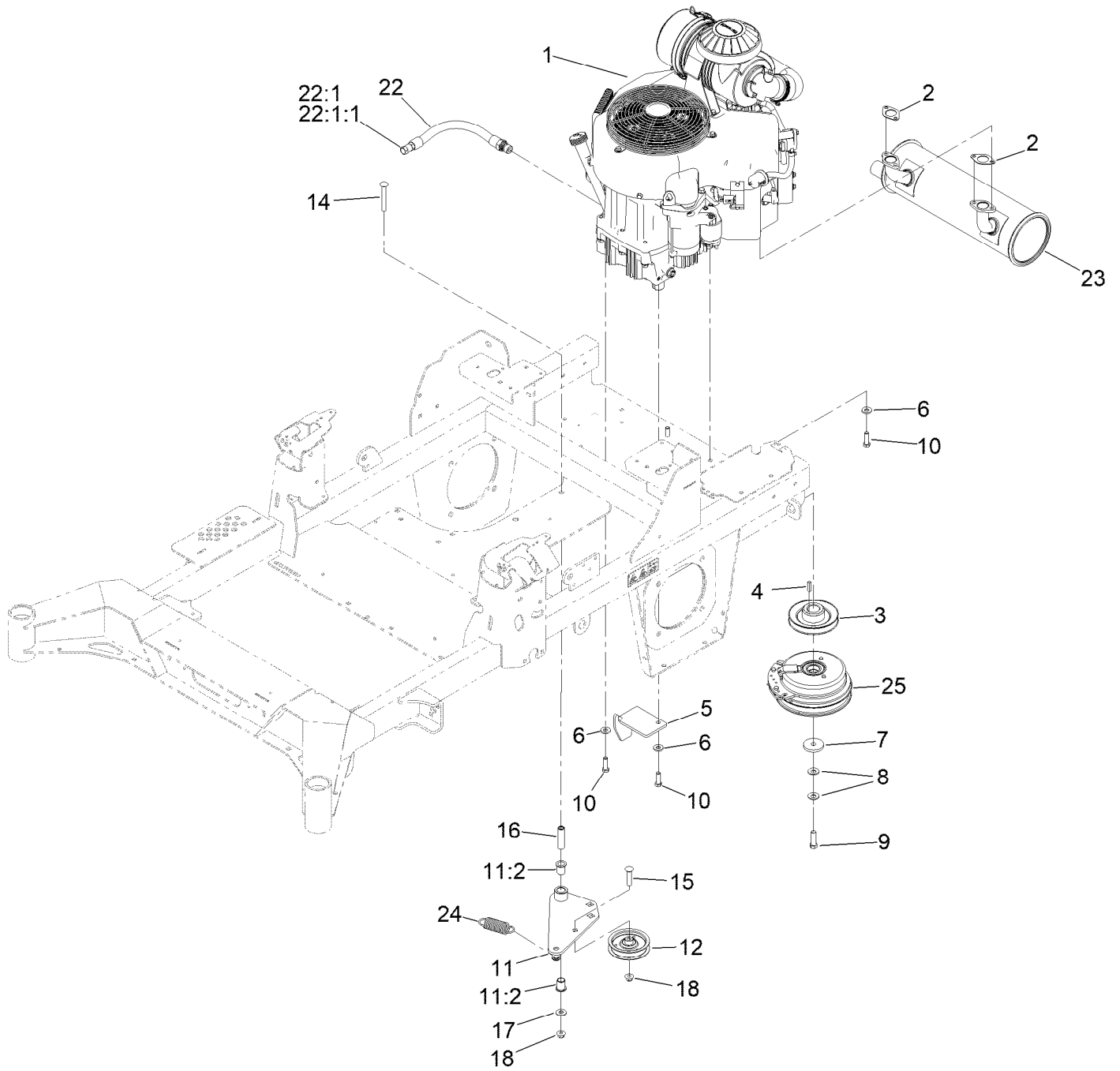
Deck Strut Assembly No. 140-1179



Deck Strut Assembly No. 140-1179 (continued)

<i>Ref.</i>	<i>Part Number</i>	<i>Qty.</i>	<i>Description</i>	<i>Ref.</i>	<i>Part Number</i>	<i>Qty.</i>	<i>Description</i>
2	126-8360	4	Bushing-Rubber, Suspension	4	3231-7	2	Screw-CARR
3	108-6544	4	Spacer	5	2844	2	Washer
				6	104-8301	2	Nut-HF, NI

Engine, Clutch and Muffler Assembly



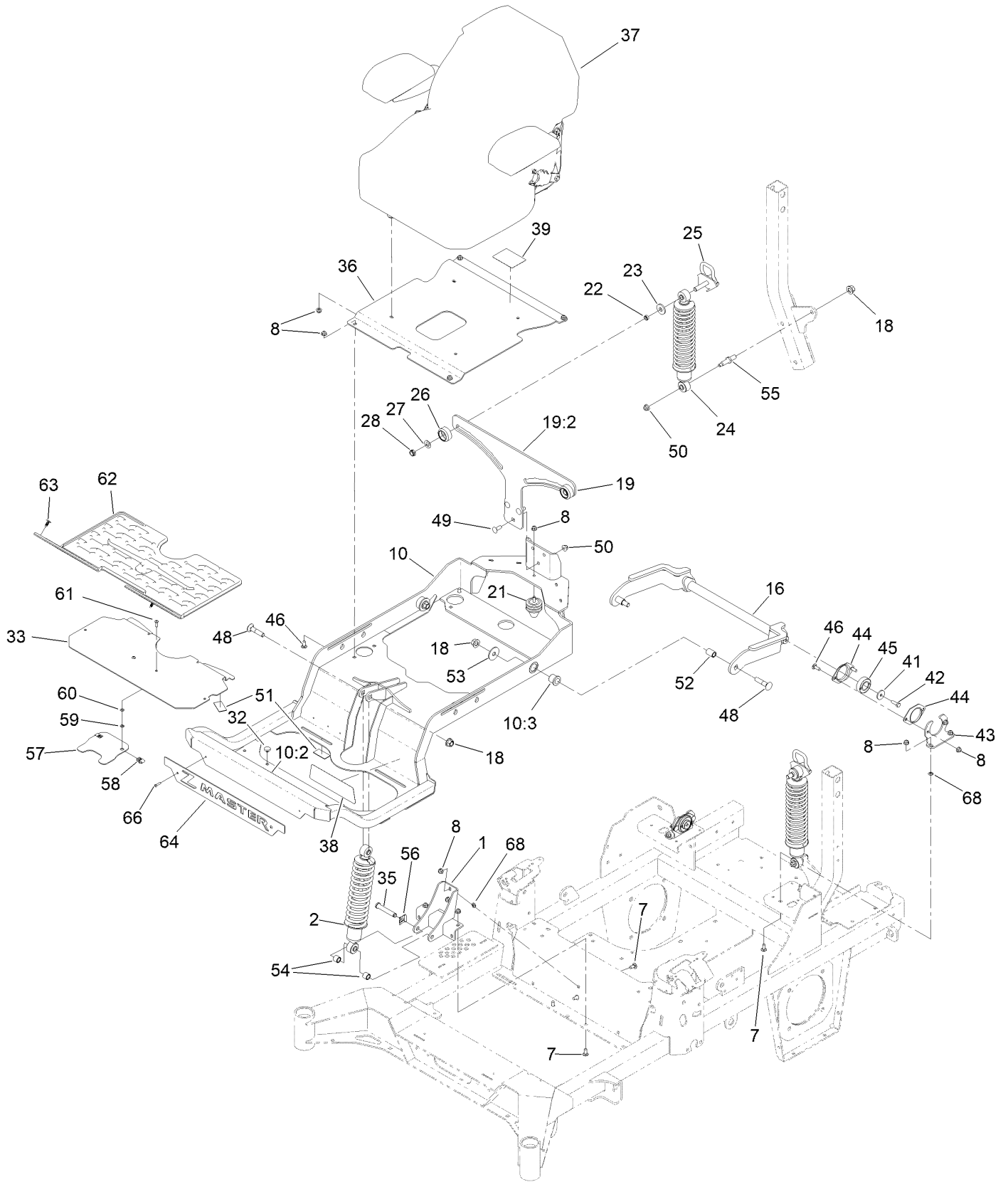
Engine, Clutch and Muffler Assembly (continued)

<i>Ref.</i>	<i>Part Number</i>	<i>Qty.</i>	<i>Description</i>	<i>Ref.</i>	<i>Part Number</i>	<i>Qty.</i>	<i>Description</i>
1		1	Engine-Kawasaki, Fx801V- _{s22} -R ■▲	12	140-4964	1	Pulley-Idler, Flat
2	1-653313	2	Gasket-Exhaust	14	3231-42	1	Screw-CARR
3	139-6702	1	Sheave, W/Hub	15	3231-29	1	Screw-CARR
4	1-807259	1	Key	16	139-6690	1	Bushing, Idler Pivot
5	140-1190	1	Anchor-Clutch	17	3256-4	1	Washer-Flat
6	98-5975	4	Washer-Belleville	18	104-8301	2	Nut-HF, NI
7	109-6919	1	Washer-Plain	22	116-4924	1	Engine Oil Drain Hose ASM
8	1-603610	2	Washer-Spring	22:1	353-508	1	Plug-HH ●
9	109-9761	1	Screw-HH	22:1:1	237-42	1	O-Ring
10	323-7	4	Screw-HH	23	139-1079	1	Muffler
11	144-2671	1	Idler Arm ASM	24	1-653331	1	Spring-Idler
11:2	138-2573	2	Bushing-Flange	25	116-1604	1	Clutch

● Torque to 24-26 ft-lb
▲ Obtain parts from www.kawpower.com

■ Not serviced separately

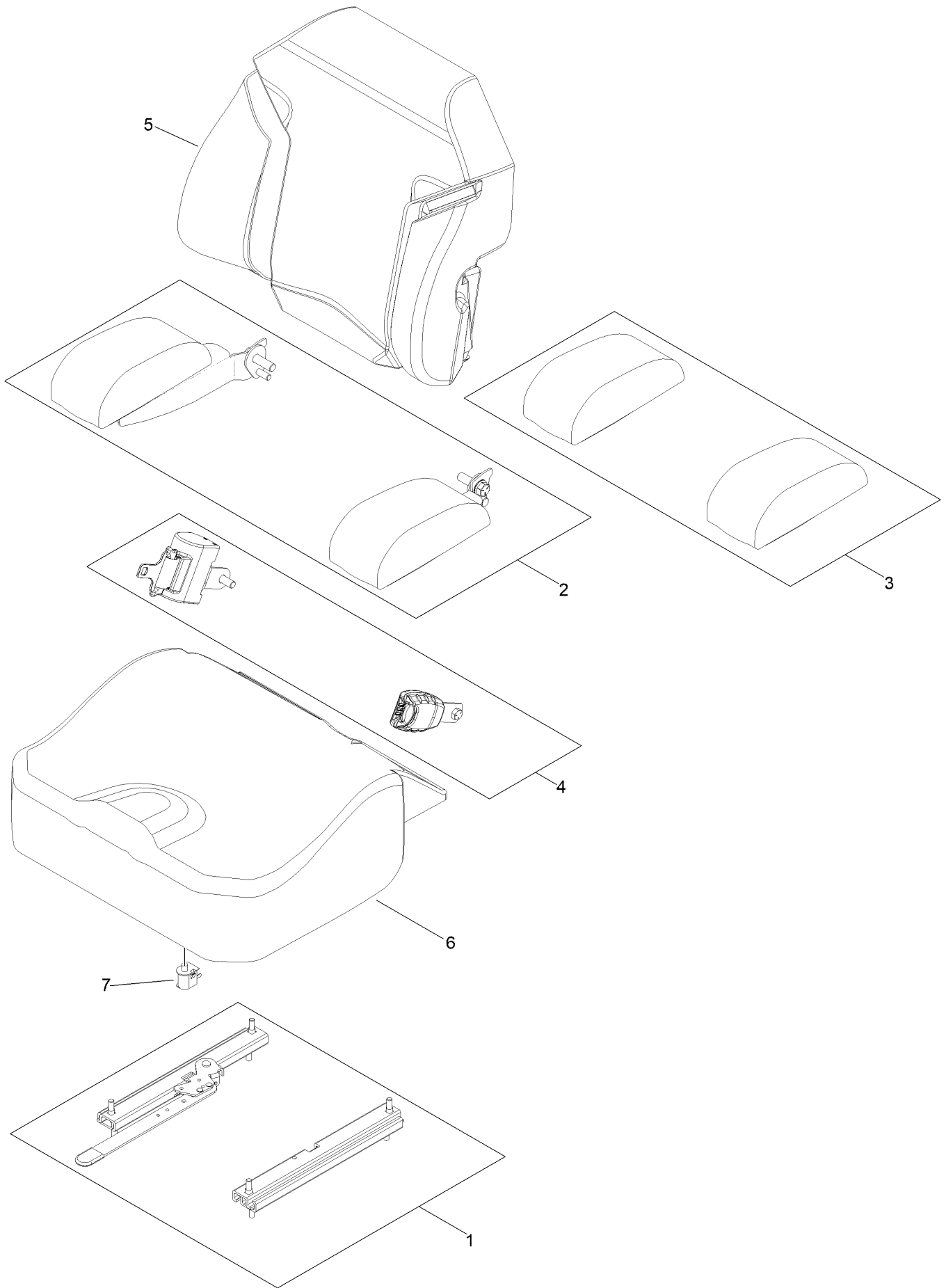
Seat Suspension Platform Assembly



Seat Suspension Platform Assembly (continued)

<i>Ref.</i>	<i>Part Number</i>	<i>Qty.</i>	<i>Description</i>	<i>Ref.</i>	<i>Part Number</i>	<i>Qty.</i>	<i>Description</i>
1	139-6691-03	1	Mount-Shock, Lower [black]	41	105-3048	2	Washer-Flat
2	136-1719	1	Shock ASM-Front	42	116-0648	2	Screw-HH, Thd Lock
7	3230-23	4	Bolt-CARR	43	127-6759-03	2	Bracket-Bearing
8	104-8300	21	Nut-HF, NI	44	127-6743	4	Housing-Bearing, Flange
10	147-4978	1	Subframe ASM	45	1-653346	2	Bearing
10:2	132-0871	1	Decal-Danger	46	3230-10	8	Bolt-CARR
10:3	127-6745	2	Bushing-Flange	48	127-6768	3	Screw-CARR
16	127-6754-03	1	Arm-Trailing	49	3231-22	3	Screw-CARR
18	99-5107	5	Nut-HF Nylock	50	104-8301	5	Nut-HF, NI
19	144-2602	1	Bracket-Mounting	51	130-0733	4	Pad-Rubber
19:2	132-5067	1	Decal-Adjustment, Ride	52	127-6751	2	Spacer-Aluminum
21	126-5491	1	Isolator	53	86-1990	2	Washer
22	133-5109	2	Bearing-Sleeve	54	140-4869	2	Spacer-Tube
23	131-4699	2	Washer-Plastic	55	133-4401	2	Bolt-Shoulder
24	133-1815	2	Shock/Spring ASM	56	138-8491	1	Clip-Pin
25	136-9017	2	Cam Lock ASM	57	119-0395-03	1	Adapter-Captive
26	136-5636	2	Knob-Lock, Cam	58	107069	2	Clip
27	3-6803	2	Washer-Adjusting	59	32115-15	2	Nut-Push
28	3296-45	2	Nut-Hex	60	3256-60	2	Washer-Flat
32	1-513658	2	Bumper	61	3274-69	2	Screw-HSBH
33	144-0381-01	1	Floorpan	62	144-0355	1	Floormat-Myride
35	126-9181	1	Pin-Clevis	63	117-2382	2	Plug-Plastic
36	140-1197-03	1	Pan-Seat	64	147-4956-03	1	Plate-Badge
37	144-2631	1	Seat ASM-Standard	66	130-8451	2	Rivet-Trifold
38	144-0437	1	Decal-Myride	68	117-2749	6	Nut-Push
39	144-2669	1	Decal-Service Aid				

Seat Assembly No. 144-2631

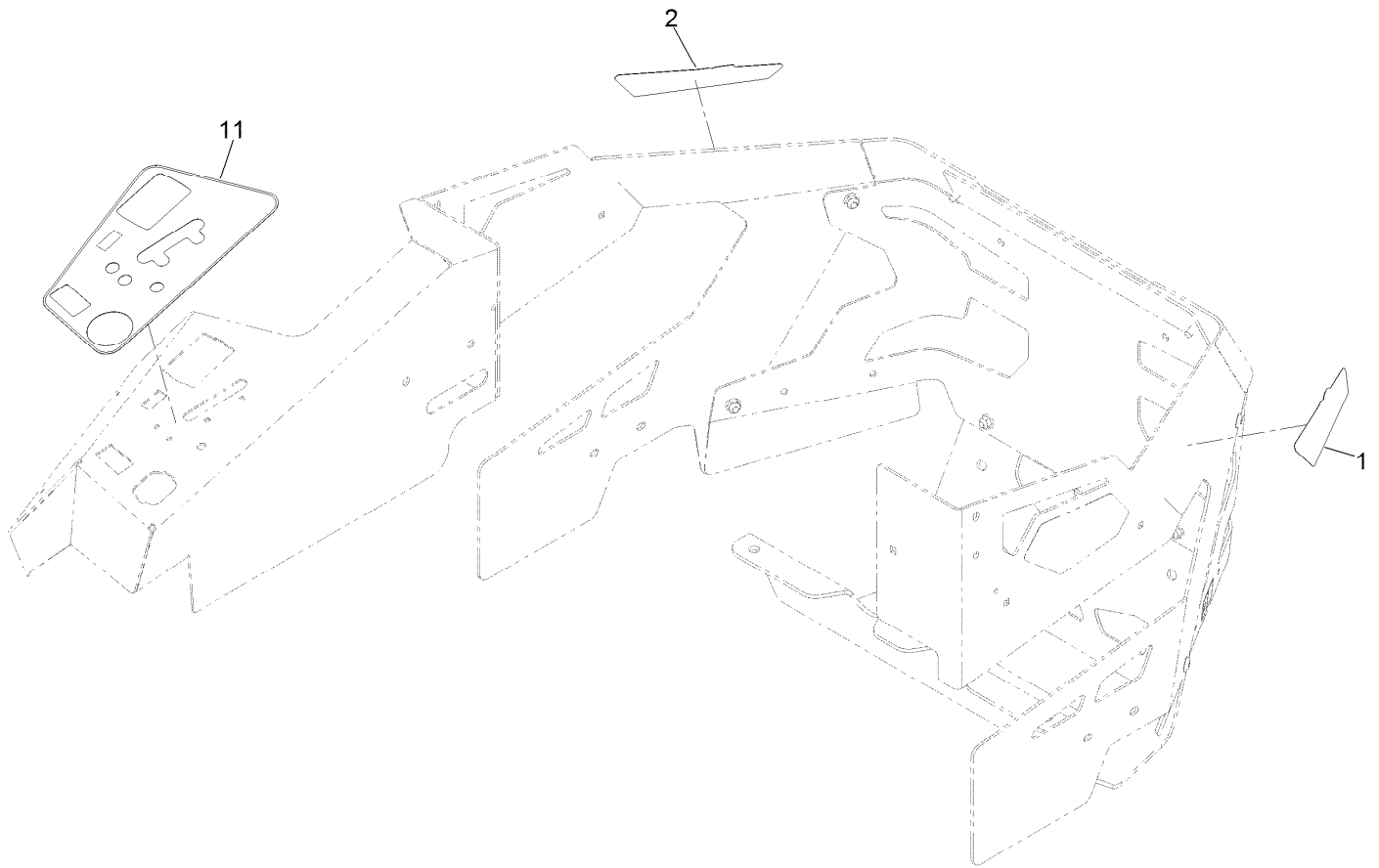


Seat Assembly No. 144-2631 (continued)

<i>Ref.</i>	<i>Part Number</i>	<i>Qty.</i>	<i>Description</i>
1	147-7883	1	Seat Track Kit
2	145-3641	1	Armrest Kit
3	145-3642	1	Pads-Armrest
4	130-2854	1	Seat Belt Kit

<i>Ref.</i>	<i>Part Number</i>	<i>Qty.</i>	<i>Description</i>
5	145-3643	1	Cover-Back, Seat
6	145-3644	1	Cover-Bottom, Seat
7	82-2190	1	Switch-Bail

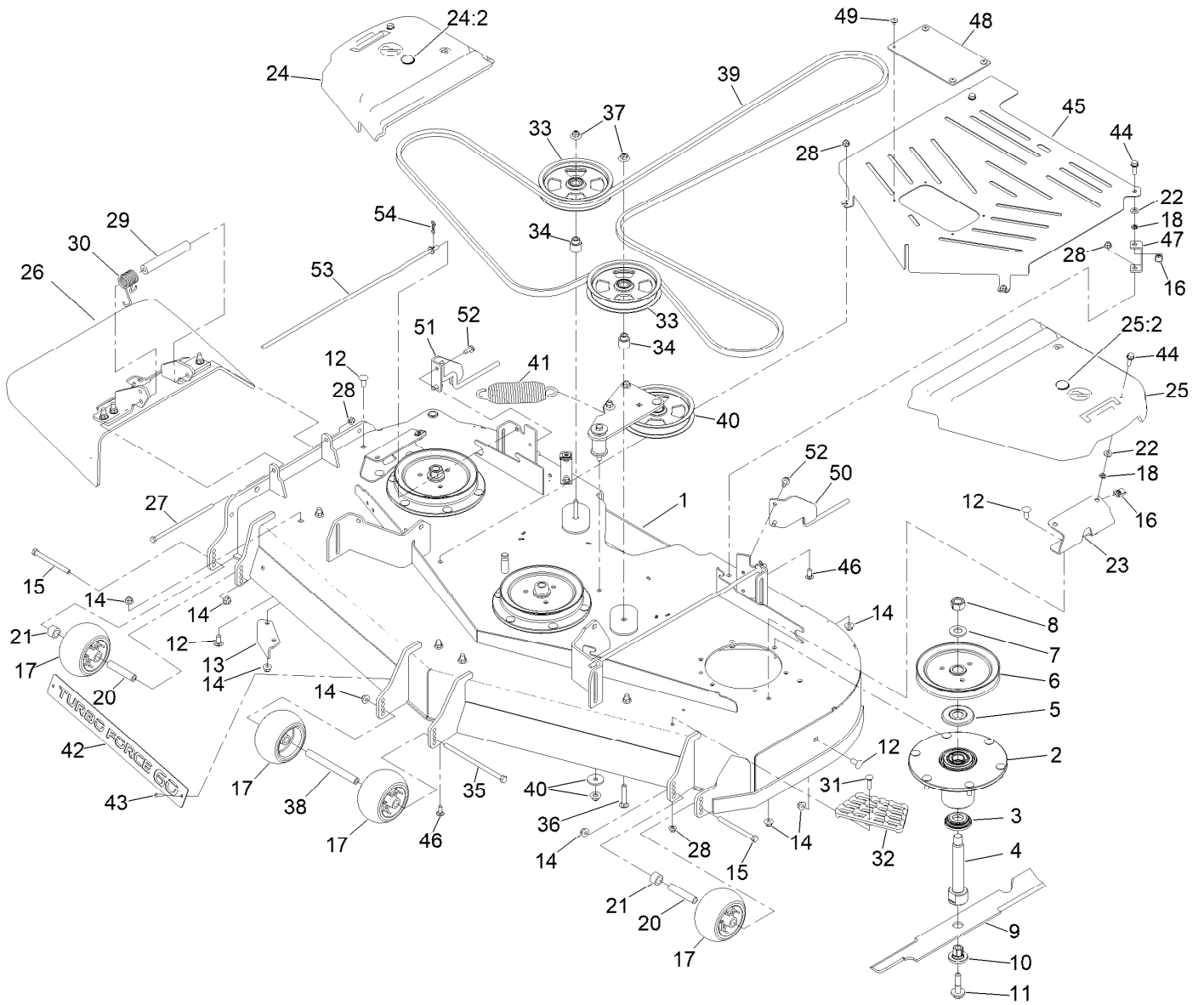
Decal Assembly



Decal Assembly (continued)

<i>Ref.</i>	<i>Part Number</i>	<i>Qty.</i>	<i>Description</i>
1	144-0438	1	Decal - Pro
2	144-0439	1	Decal - Pro
11	144-6552	1	Decal-Panel, Te Control

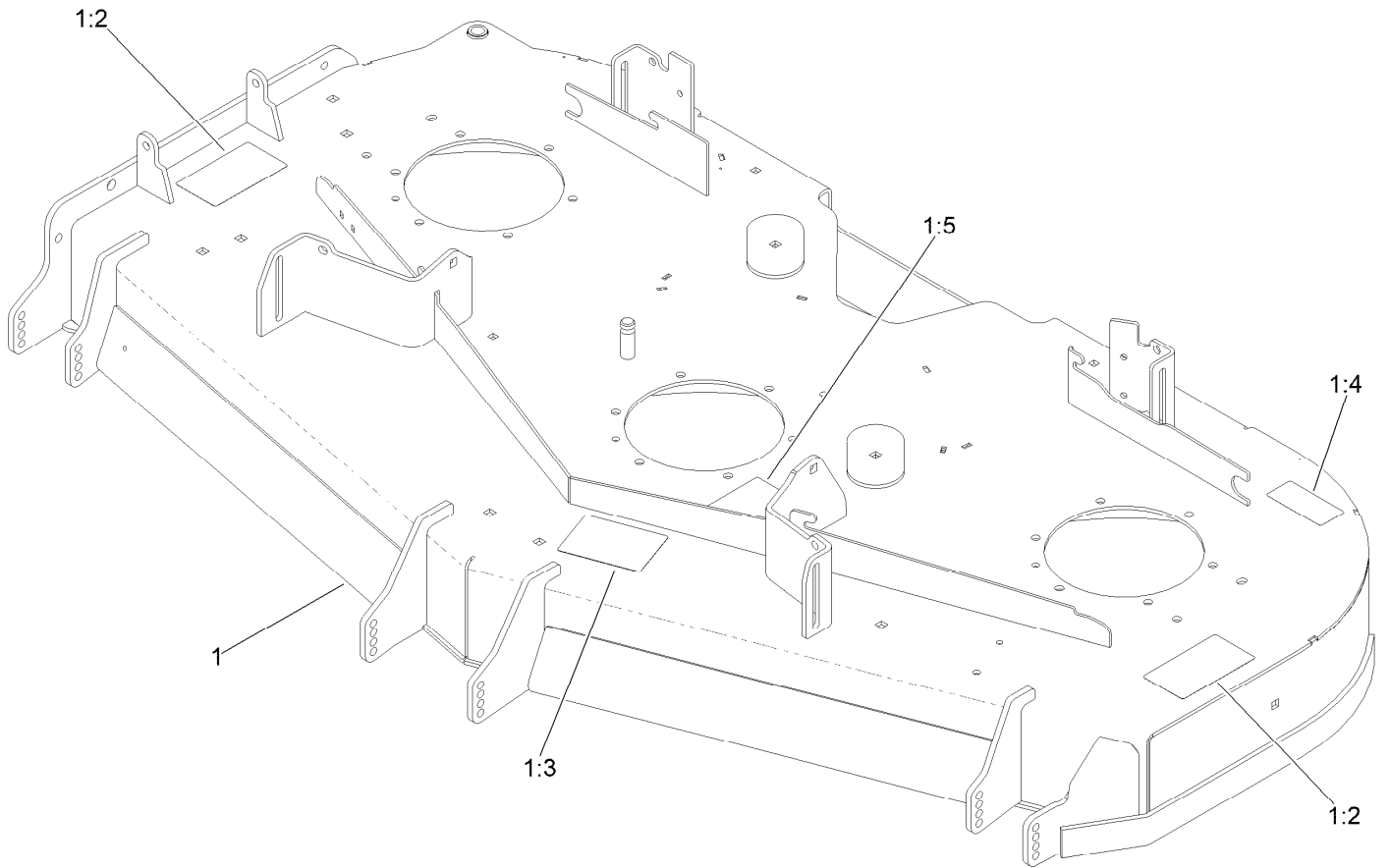
Deck Assembly



Deck Assembly (continued)

<i>Ref.</i>	<i>Part Number</i>	<i>Qty.</i>	<i>Description</i>	<i>Ref.</i>	<i>Part Number</i>	<i>Qty.</i>	<i>Description</i>
1	147-4997	1	Deck Decal ASM	28	104-8300	6	Nut-HF, NI
2	137-9780	3	Spindle ASM	29	105-4622	1	Spacer
3	137-9784	3	Guard-Bottom	30	108-4052	1	Spring-Torsion
4	138-6045	3	Shaft-Spindle	31	3230-3	1	Screw-CARR
5	103-1330	3	Guard-Bearing, Top	32	126-4781-03	1	Step-Deck
6	138-6059	3	Sheave-Drive, Blade	33	132-9424	2	Pulley-Idler, Flat
7	103-2802	3	Washer	34	139-8061	2	Bushing, Idler
8	116-7306	3	Nut-Hex	35	108-5388	1	Screw-HH
9	140-1240	3	Blade	36	3231-7	2	Screw-CARR
10	137-9787	3	Bushing-Hex	37	109-6658	2	Nut-Flange, NI
11	109-9220	3	Screw-Sems	38	98-5967	1	Spacer-Wheel
12	3231-27	13	Screw-CARR	39	144-0357	1	Belt-V
13	107-8541-01	1	Baffle-Discharge	40	139-1087	1	Idler Arm ASM
14	104-8301	34	Nut-HF, NI	41	116-6317	1	Spring-Extension
15	323-23	2	Screw-HH	42	147-4631-03	1	Plate-Turbo Force
16	94-2413	4	Nut-U	43	130-8451	2	Rivet-Trifold
17	1-603299	4	Roller-Scalp, Anti	44	3234-29	4	Screw-HHF
18	117-2749	4	Nut-Push	45	145-1271-03	1	Guard-Center Belt 60
20	133-2129	2	Tube-Shafting	46	3230-23	4	Bolt-CARR
21	133-2128	2	Tube-Spacer	47	126-9646	2	Bracket-Guard
22	73-0041	4	Washer-Thrust	48	144-0420	1	Shield-Rubber
23	114-5882-01	2	Bracket-Cover, Belt	49	132-5064	4	Rivet-Pop
24	117-7815	1	RH Belt Cover ASM	50	140-4913	1	Support-Lower LH
24:2	117-3824	1	Plug-Plastic	51	140-4914	1	Support-Lower RH
25	117-7816	1	LH Belt Cover ASM	52	32144-70	4	Screw-HWHTF
25:2	117-3824	1	Plug-Plastic	53	140-8027	2	Rod-Skirt, Lower
26	144-2635	1	Rubber Deflector ASM	54	119-1415	2	Pin-Cotter, Locking
27	322-50	1	Screw-HH				

Deck Decal Assembly No. 147-4997



Deck Decal Assembly No. 147-4997 (continued)

<i>Ref.</i>	<i>Part Number</i>	<i>Qty.</i>	<i>Description</i>	<i>Ref.</i>	<i>Part Number</i>	<i>Qty.</i>	<i>Description</i>
1		1	Deck ASM W/Decals ●	1:4	116-8283	1	Decal-Torque, Bolt
1:2	117-3848	2	Decal-Danger	1:5	109-6035	1	Decal-Routing, Belt
1:3	127-0326	1	Decal-Scalp, Anti				

● Not serviced separately

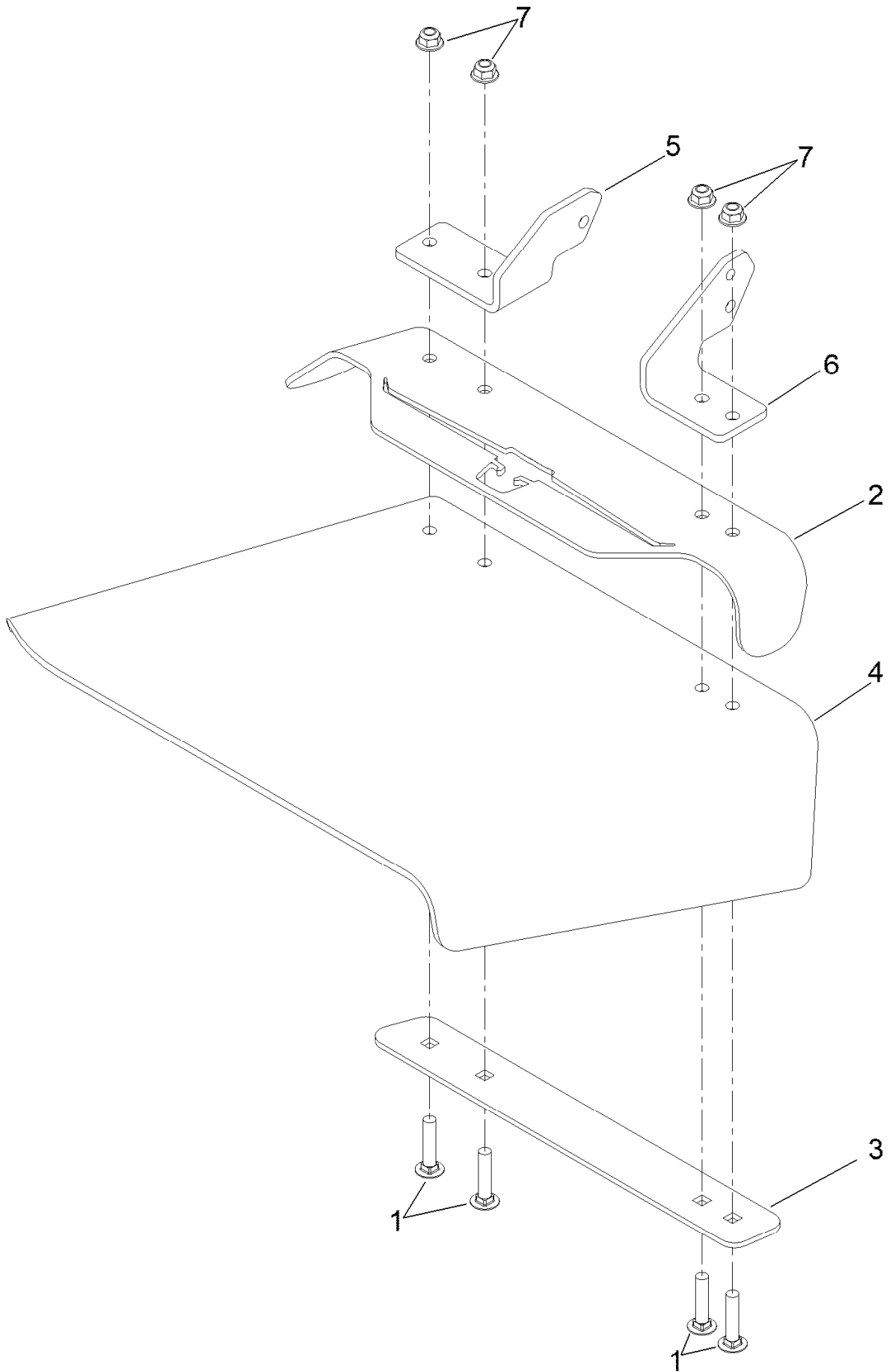
Spindle Assembly No. 137-9780



Spindle Assembly No. 137-9780 (continued)

<i>Ref.</i>	<i>Part Number</i>	<i>Qty.</i>	<i>Description</i>
2	116-0720	2	Bearing-Ball
3	138-6042	1	Spacer-Bearing

Deflector Assembly No. 144-2635



Deflector Assembly No. 144-2635 (continued)

<i>Ref.</i>	<i>Part Number</i>	<i>Qty.</i>	<i>Description</i>	<i>Ref.</i>	<i>Part Number</i>	<i>Qty.</i>	<i>Description</i>
1	3231-5	4	Screw-CARR	5	108-4059-01	1	Plate-Hinge, Rear
2	161-9815-01	1	Plate-Deflector Mount	6	106-3253-01	1	Plate-Hinge, Front
3	106-3248-03	1	Strap-Discharge	7	104-8301	4	Nut-HF, NI
4	161-3464	1	Deflector-Deck, Rubber				

Idler Arm Assembly No. 139-1087



Idler Arm Assembly No. 139-1087 (continued)

<i>Ref.</i>	<i>Part Number</i>	<i>Qty.</i>	<i>Description</i>	<i>Ref.</i>	<i>Part Number</i>	<i>Qty.</i>	<i>Description</i>
1	139-1086	1	Idler Arm ASM	7	109-6658	3	Nut-Flange, NI
2	138-2573	2	Bushing-Flange	8	323-15	1	Screw-HH
3	139-8060	1	Bushing, Idler	9	3231-5	1	Screw-CARR
4	132-9424	1	Pulley-Idler, Flat	10	132-4729	1	Anchor-Spring, Short
5	139-6690	1	Bushing, Idler Pivot	11	136-9028	1	Bolt-Shoulder, HWH
6	1-213069	3	Washer	12	104-8301	1	Nut-HF, NI

Attachments and Accessories

For 74056TE — 152cm Z Master 4000 Series Riding Mower

Product Name	Model/Part
Hypr-Oil 500 (quart)	114-4713
Hypr-Oil 500 (gallon).....	114-4714
Hypr-Oil 500-5 (5 gallon).....	114-4715
Striper Kit.....	126-7882
Jack Kit.....	127-6666
Shock/Spring Asm	136-8993
Recycler Kit	139-6655
Blade-20.5 High Flow	140-1240
Blade-20.50 Atomic	140-1241
Blade-20.50 Medium Flow	140-4853
Blade-20.50, Low Flow	140-4854
Blade-20.50 Recycler	140-4855
6 Pack-Blade, 20.5 High Flow.....	140-4877
6 Pack-Blade, 20.5 Med Flow	140-4878
6 Pack-Blade, 20.5 Low Flow	140-4879
6 Pack-Blade, 20.5 Atomic.....	140-4880
6 Pack-Blade, 20.5 Recycler.....	140-4881
Trimmer Mount	144-2665
Jack Mount Kit.....	144-2676
Hardtop Sun Canopy	144-3719
60" Chute Gate Kit.....	144-6572
60 CE Compliance Kit [4000].....	145-1263
Semi Pneumatic Tire Assembly 15x6.50-6	145-1919
Handle Extension Kit	145-3615
Tweel-Turf.....	147-4600
Blade-20.50 High Flow	147-6252
6 Pack-Blade, 20.50 High Flow.....	147-6256
15inx6n6 Caster Tweel Asm	147-6337
Bucket Mount Kit, Z Master 2000 or 4000 Series Riding Mower	147-6345
Universal Mount Kit, Z Master 2000 or 4000 Series Riding Mower	147-6346
Baffle Kit, Turbo Force 60in	147-7362
2in Reciever Hitch Kit.....	161-2810
Fuel Pickup with Screen Kit	161-6806
Spark Arrestor Screen	75-6880
Bagger Kit, Z Master 2000 / 4000	78439
Z 4000 60in Completion Kit.....	78466

Notes:



Count on it.