



**Count on it.**

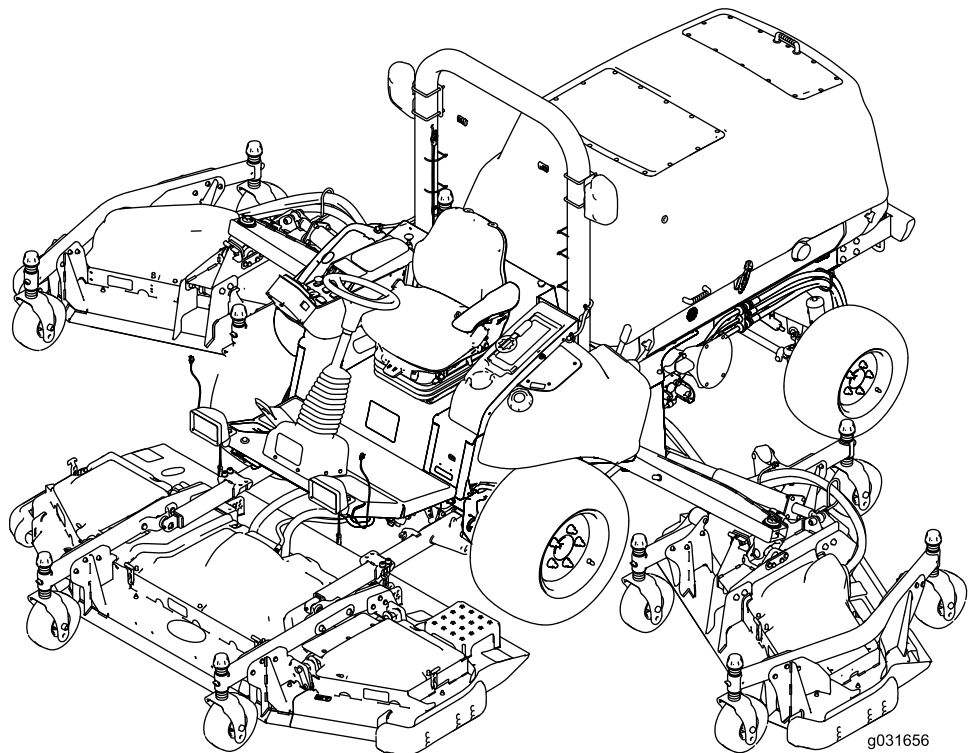
Form No. 3478-444 Rev B

**Operator's Manual**

# Groundsmaster® 5900 Rotary Mower

Model No. 31698—Serial No. 42000000 and Up

Model No. 31699—Serial No. 42000000 and Up



This product complies with all relevant European directives; for details, please see the separate product specific Declaration of Conformity (DOC) sheet.

It is a violation of California Public Resource Code Section 4442 or 4443 to use or operate the engine on any forest-covered, brush-covered, or grass-covered land unless the engine is equipped with a spark arrester, as defined in Section 4442, maintained in effective working order or the engine is constructed, equipped, and maintained for the prevention of fire.

The enclosed engine owner's manual is supplied for information regarding the US Environmental Protection Agency (EPA) and the California Emission Control Regulation of emission systems, maintenance, and warranty. Replacements may be ordered through the engine manufacturer.

If this machine is equipped with a telematics device, refer to your authorized Toro distributor for instructions to activate the device.

## ⚠ WARNING

### CALIFORNIA Proposition 65 Warning

Diesel engine exhaust and some of its constituents are known to the State of California to cause cancer, birth defects, and other reproductive harm.

Battery posts, terminals, and related accessories contain lead and lead compounds, chemicals known to the State of California to cause cancer and reproductive harm. Wash hands after handling.

Use of this product may cause exposure to chemicals known to the State of California to cause cancer, birth defects, or other reproductive harm.

# Introduction

This machine is a multi-purpose machine intended to be used by professional, hired operators in commercial applications. It is designed primarily for mowing grass on well-maintained lawns in parks, golf courses, sports fields, along roadways, and on commercial grounds. Using this product for purposes other than its intended use could prove dangerous to you and bystanders.

Read this information carefully to learn how to operate and maintain your product properly and to avoid injury and product damage. You are responsible for operating the product properly and safely.

Visit [www.Toro.com](http://www.Toro.com) for product safety and operation training materials, accessory information, help finding a dealer, or to register your product.

Whenever you need service, genuine Toro parts, or additional information, contact an Authorized Service Dealer or Toro Customer Service and have the model and serial numbers of your product ready. [Figure 1](#) identifies the location of the model and serial numbers on the product. Write the numbers in the space provided.

**Important:** With your mobile device, you can scan the QR code on the serial number decal (if equipped) to access warranty, parts, and other product information.

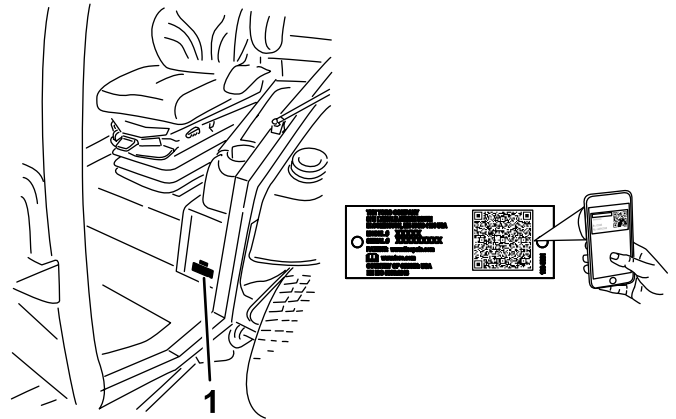


Figure 1

1. Model and serial number location

Model No. \_\_\_\_\_

Serial No. \_\_\_\_\_

This manual identifies potential hazards and has safety messages identified by the safety-alert symbol ([Figure 2](#)), which signals a hazard that may cause

serious injury or death if you do not follow the recommended precautions.



g000502

**Figure 2**

1. Safety-alert symbol

---

This manual uses 2 words to highlight information. **Important** calls attention to special mechanical information and **Note** emphasizes general information worthy of special attention.

# Contents

Safety .....	5	After Operation .....	46
General Safety .....	5	After Operation Safety .....	46
Safety and Instructional Decals .....	6	Understanding the Audible Alarm .....	46
Setup .....	16	Pushing or Towing the Machine .....	47
1 Removing the Wing-Deck-Shipping Straps and Braces.....	16	Identifying the Tie-Down Points .....	48
2 Lowering the Front-Deck Winglets .....	17	Hauling the Machine .....	48
3 Checking the Tire and Caster Wheel Pressure .....	18	Maintenance .....	49
4 Leveling the Front, Center Cutting Unit .....	18	Maintenance Safety.....	49
5 Leveling the Winglet Decks to the Front, Center Cutting Unit.....	18	Recommended Maintenance Schedule(s) .....	49
6 Checking the Fluid Levels .....	19	Daily Maintenance Checklist.....	51
7 Greasing the Machine.....	19	Pre-Maintenance Procedures .....	52
8 Installing the Decal (CE Machines Only).....	19	Using the Battery-Disconnect Switch .....	52
Product Overview .....	21	Raising the Machine .....	52
Controls .....	22	Removing and Installing the Inner-Wing-Deck Covers.....	53
Cab Controls.....	24	Lubrication .....	54
Specifications .....	25	Greasing the Bearings and Bushings .....	54
Attachments/Accessories.....	26	Engine Maintenance .....	56
Before Operation .....	27	Engine Safety .....	56
Before Operation Safety .....	27	Servicing the Air Cleaner .....	56
Checking the Engine-Oil Level.....	27	Servicing the Engine Oil.....	58
Checking the Cooling System.....	27	Adjusting the Engine-Valve Clearance .....	60
Checking the Hydraulic System .....	27	Cleaning the Engine EGR Cooler.....	60
Filling the Fuel Tank.....	27	Inspecting the Engine Crankcase-Breather System.....	60
Checking the Tire Pressure.....	29	Checking and Replacing Fuel Hoses and Engine-Coolant Hoses .....	60
Checking the Caster Wheel Tire Pressure .....	29	Lapping or Adjusting the Engine Intake and Exhaust Valves .....	60
Checking the Torque of the Wheel-Lug Nuts .....	29	Inspecting and Cleaning Engine-Emission-Control Components and Turbocharger .....	60
Adjusting the Height of Cut .....	29	Servicing the Diesel-Oxidation Catalyst (DOC) and the Soot Filter .....	60
Adjusting the Skids .....	32	Fuel System Maintenance .....	61
Adjusting the Cutting Unit Anti-Scalp Rollers.....	33	Fuel Maintenance .....	61
Correcting a Mismatch Between the Cutting Units.....	33	Storing Fuel.....	61
Adjusting the Mirrors.....	35	Servicing the Fuel-Water Separator .....	61
Aiming the Headlights.....	35	Servicing the Fuel Filter .....	62
Checking the Safety-Interlock Switches .....	35	Draining the Fuel Tank.....	63
Checking the Blade Stopping Time .....	36	Inspecting the Fuel Lines and Connections.....	63
During Operation .....	36	Priming the Fuel System.....	63
During Operation Safety .....	36	Electrical System Maintenance .....	64
Starting the Engine .....	38	Electrical System Safety .....	64
Shutting Off the Engine.....	38	Checking the Battery Condition.....	64
Raising or Lowering the Cutting Units .....	38	Locating the Fuses .....	64
Understanding the Diesel-Particulate Filter and Regeneration .....	39	Charging the Batteries .....	65
Understanding the Operating Characteristics of the Machine .....	44	Jump-Starting the Machine .....	66
Understanding the 12 V and 24 V Electrical Systems .....	44	Removing the Batteries .....	67
Automatic-Reversing Fan Cycle .....	45	Installing the Batteries .....	69
Operating Tips .....	45	Drive System Maintenance .....	69
		Calibrating the Traction Pedal .....	69
		Adjusting the Traction-Pedal Angle .....	69
		Checking the Rear Wheel Toe-In .....	70
		Cooling System Maintenance .....	70
		Cooling System Safety .....	70
		Checking the Engine-Cooling System.....	70

# Safety

## General Safety

This product is capable of amputating hands and feet and of throwing objects. Always follow all safety instructions to avoid serious personal injury.

- Read and understand the contents of this *Operator's Manual* before starting the engine.
- Use your full attention while operating the machine. Do not engage in any activity that causes distractions; otherwise, injury or property damage may occur.
- Do not operate the machine without all guards and other safety protective devices in place and functioning properly on the machine.
- Keep your hands and feet away from rotating parts. Keep clear of the discharge opening.
- Keep bystanders and children out of the operating area. Never allow children to operate the machine.
- Shut off the engine, remove the key, and wait for all movement to stop before you leave the operator's position. Allow the machine to cool before adjusting, servicing, cleaning, or storing it.

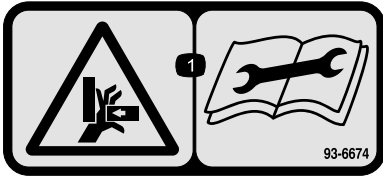
Improperly using or maintaining this machine can result in injury. To reduce the potential for injury, comply with these safety instructions and always pay attention to the safety-alert symbol **▲**, which means Caution, Warning, or Danger—personal safety instruction. Failure to comply with these instructions may result in personal injury or death.

Cleaning the Cooling Systems .....	71
Changing the Engine-Cooling-System Fluid .....	72
Belt Maintenance .....	74
Servicing the 12 V Alternator Belt .....	74
Servicing the 24 V Alternator Belt and AC Compressor Belt .....	74
Replacing the Blade-Drive Belts .....	74
Hydraulic System Maintenance .....	76
Hydraulic System Safety .....	76
Hydraulic Fluid Specifications .....	76
Hydraulic Fluid Capacity .....	77
Checking the Hydraulic Fluid .....	77
Changing the Hydraulic Fluid .....	77
Changing the Hydraulic Filters .....	78
Checking the Hydraulic Lines and Hoses .....	79
Inspecting the Hydraulic System Test Ports .....	79
Cutting Unit Maintenance .....	79
Pivoting (Tilting) the Front Cutting-Unit to the Upright Position .....	79
Pivoting (Tilting) the Front Cutting-Unit Down .....	80
Adjusting the Cutting-Unit Pitch .....	80
Servicing the Caster-Arm Bushings .....	81
Servicing the Caster Wheels and Bearings .....	82
Blade Maintenance .....	82
Blade Safety .....	82
Checking for a Bent Blade .....	82
Removing and Installing the Cutting-Unit Blade(s) .....	82
Inspecting and Sharpening a Blade .....	83
Correcting a Cutting-Unit Mismatch .....	84
Cab Maintenance .....	84
Tightening the Wiper Blade Arms .....	84
Cleaning the Cab .....	84
Cleaning the Cab Air Filters .....	85
Cleaning the Cab Pre-Filter .....	86
Cleaning the Air-Conditioning Assembly .....	86
Storage .....	87
Storage Safety .....	87
Preparing the Machine for Storage .....	87

# Safety and Instructional Decals



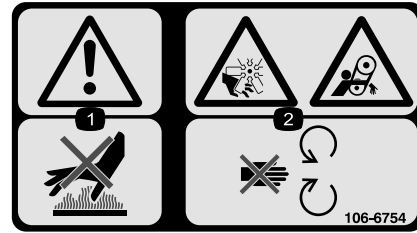
Safety decals and instructions are easily visible to the operator and are located near any area of potential danger. Replace any decal that is damaged or missing.



93-6674

decal93-6674

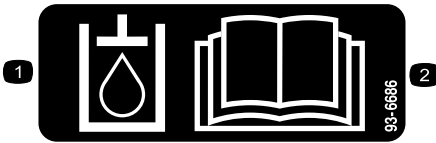
1. Crushing hazard, hand—read the instructions before servicing or performing maintenance.



106-6754

decal106-6754

1. Warning—do not touch the hot surface.
2. Cutting/dismemberment hazard, fan; entanglement hazard, belt—stay away from moving parts.



93-6686

decal93-6686

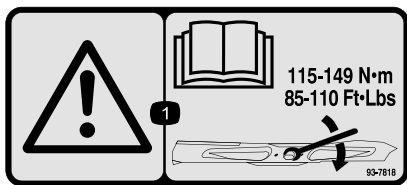
1. Hydraulic fluid
2. Read the *Operator's Manual*.



93-6687

decal93-6687

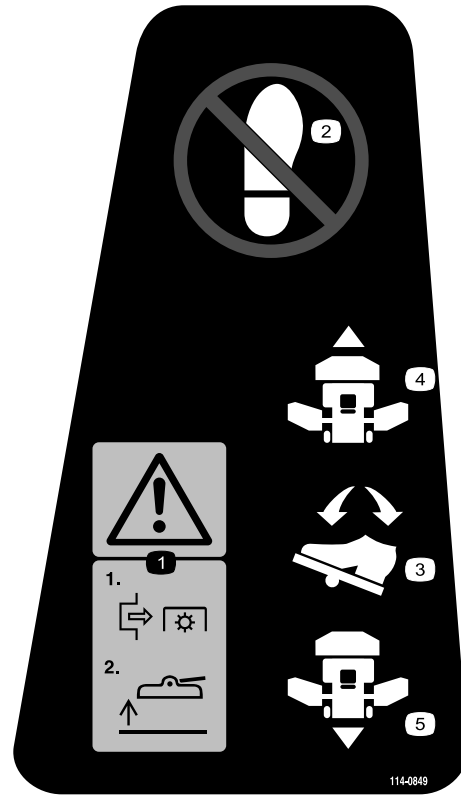
1. Do not step here.



93-7818

decal93-7818

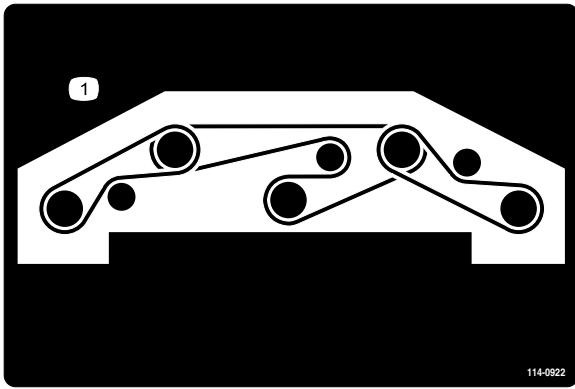
1. Warning—read the *Operator's Manual* for instructions on torquing the blade bolt/nut to 115 to 149 N·m (85 to 110 ft-lb).



114-0849

decal114-0849

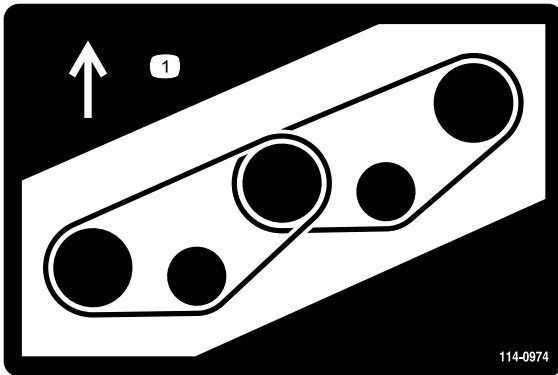
1. Warning—disengage the PTO then raise the deck.
2. No step
3. Traction-control pedal
4. Forward
5. Reverse



114-0922

decal114-0922

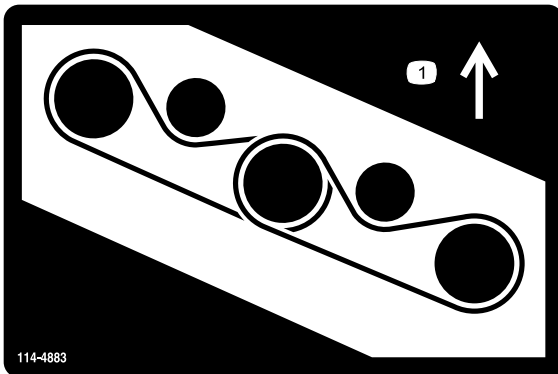
1. Belt routing



114-0974

decal114-0974

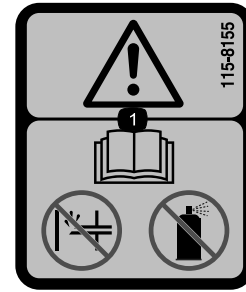
1. Belt routing



114-4883

decal114-4883

1. Belt routing



115-8155

decal115-8155

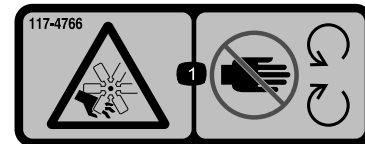
1. Warning—read the *Operator's Manual*, do not prime or use starting fluid.



117-3276

decal117-3276

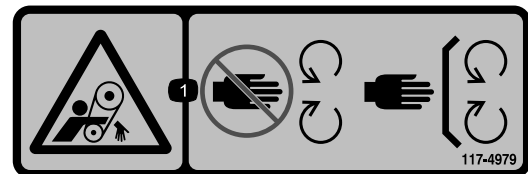
1. Engine coolant under pressure
2. Explosion hazard—read the *Operator's Manual*.
3. Warning—do not touch the hot surface.
4. Warning—read the *Operator's Manual*.



117-4766

decal117-4766

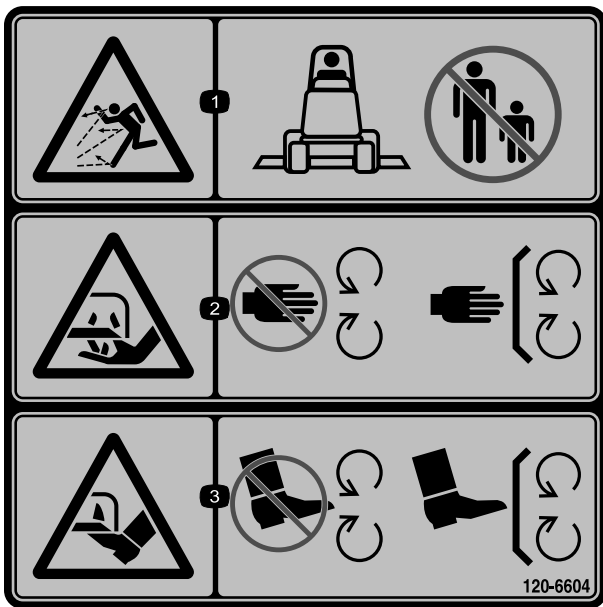
1. Cutting/dismemberment hazard, fan—stay away from moving parts; keep all guards and shields in place.



117-4979

decal117-4979

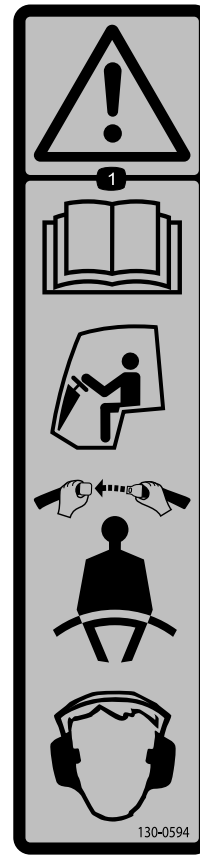
1. Entanglement hazard, belt—stay away from moving parts; keep all guards and shields in place.



120-6604

decal120-6604

1. Thrown object hazard—keep bystanders away from the machine.
2. Cutting/dismemberment hazard of hand, mower blade—stay away from moving parts; keep all guards and shields in place.
3. Cutting/dismemberment hazard of foot, mower blade—stay away from moving parts; keep all guards and shields in place.

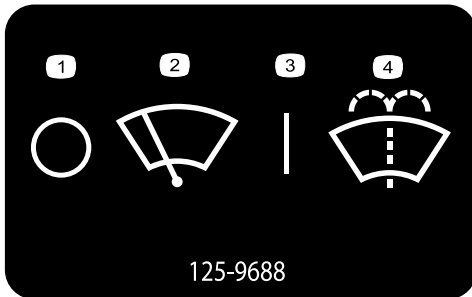


130-0594

decal130-0594

Model with Cab Only

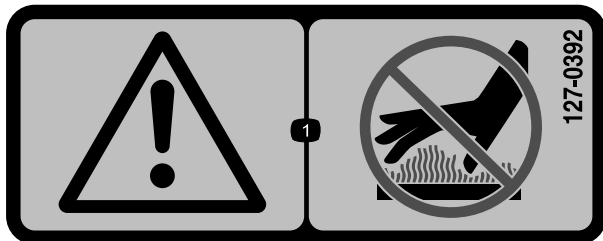
1. Warning—read the *Operator's Manual*; when sitting in the cab, always wear a seat belt; wear hearing protection.



125-9688

decal125-9688

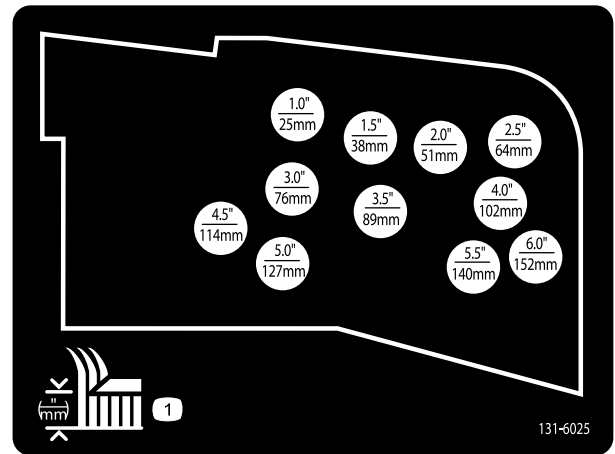
- |                      |                                   |
|----------------------|-----------------------------------|
| 1. Off               | 3. On                             |
| 2. Windshield wipers | 4. Spray windshield washer fluid. |



127-0392

decal127-0392

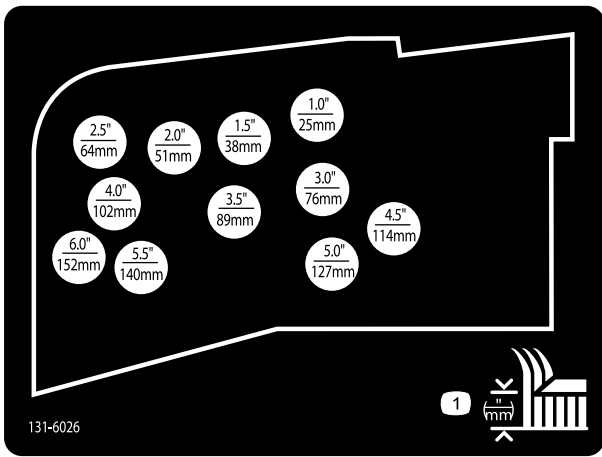
1. Warning—keep away from hot surfaces.



131-6025

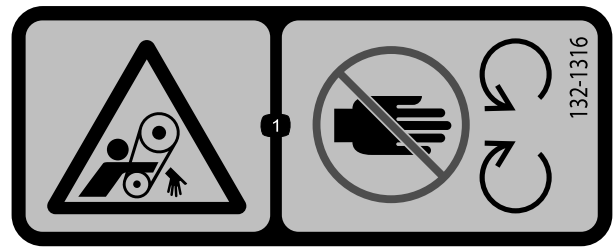
decal131-6025

1. Height of cut



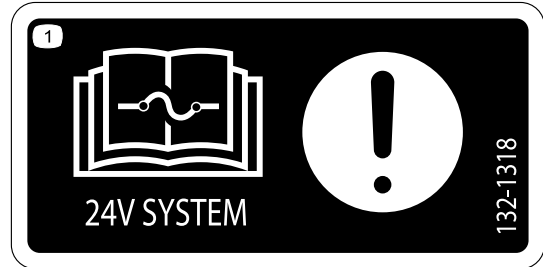
131-6026

1. Height of cut



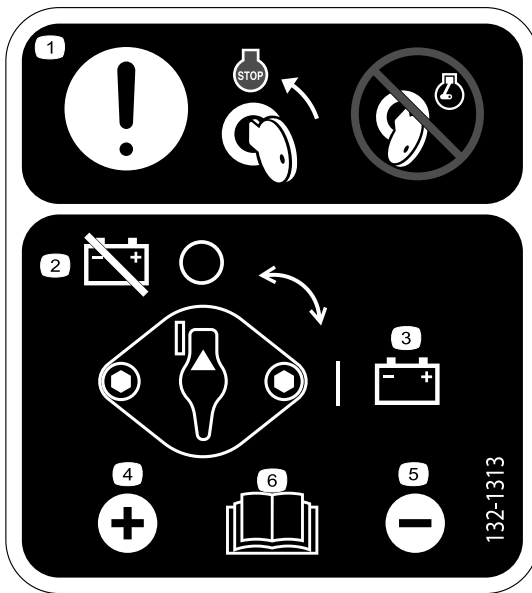
132-1316

1. Entanglement hazard, belt—keep away from moving parts.



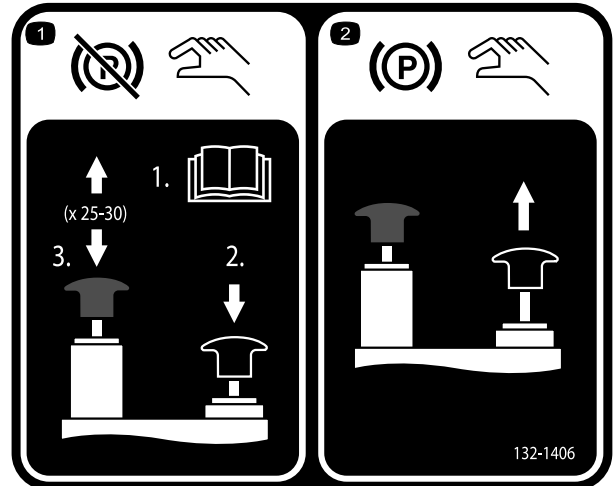
132-1318

1. Attention—read the *Operator's Manual* for information on fuses.



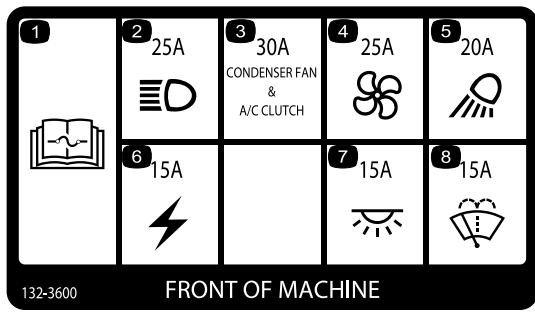
132-1313

- |   |   |
|---|---|
| 1. Attention—move the key to the engine stop position before servicing the battery; do not service the battery with the engine running. | 4. Positive terminal  |
| 2. Battery—disconnect   | 5. Negative terminal  |
| 3. Battery—connect  | 6. Read the <i>Operator's Manual</i> for more information on servicing the battery. |



132-1406

1. Releasing the parking brake when the engine is off—1) Open the tow valves on the traction pump (read the *Operator's Manual*); 2) Push down and hold the black knob to release the parking brake; 3) Work the hand pump up and down. You can release the black knob after 2 to 3 pumps. The parking brake releases after 25 to 30 pumps.
2. Engaging the parking brake—pull up the black knob; the manual valve resets when you start the engine.



132-3600

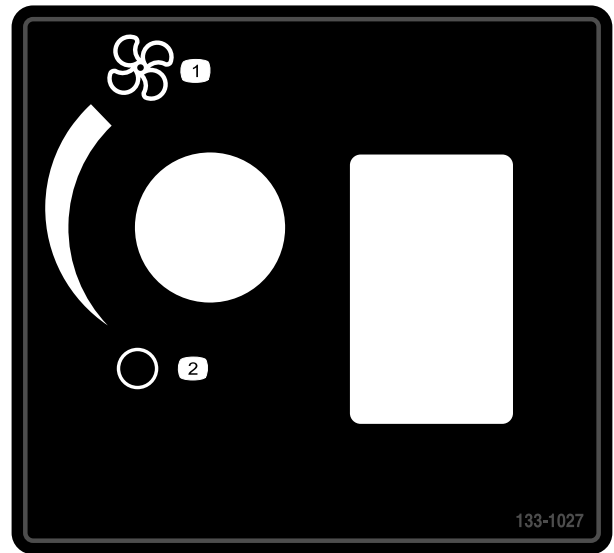
FRONT OF MACHINE

decal132-3600

**132-3600**

Model with Cab Only

- |   |                             |
|---|-----------------------------|
| 1. Read the <i>Operator's Manual</i> for more information on fuses. | 5. Working light (20 A)     |
| 2. Headlight (25 A)   | 6. Auxiliary power (15 A)   |
| 3. Condenser fan and A/C clutch (30 A)                              | 7. Cab light (15 A)         |
| 4. Fan (25 A)   | 8. Windshield wipers (15 A) |



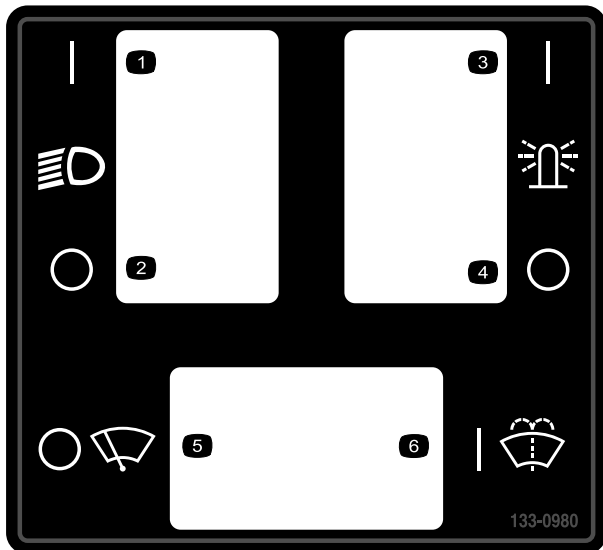
133-1027

decal133-1027

**133-1027**

Model with Cab Only

- |                |            |
|----------------|------------|
| 1. Fan—maximum | 2. Fan—off |
|----------------|------------|



133-0980

decal133-0980

**133-0980**

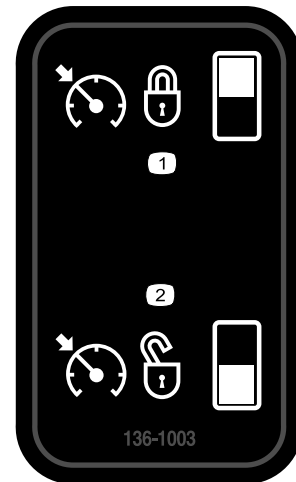
Model with Cab Only

- |                      |                       |
|----------------------|-----------------------|
| 1. Head light—on     | 4. Overhead light—off |
| 2. Head light—off    | 5. Wipers—off         |
| 3. Overhead light—on | 6. Wiper fluid—on     |



decal133-8062

**133-8062**

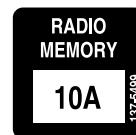


136-1003

decal136-1003

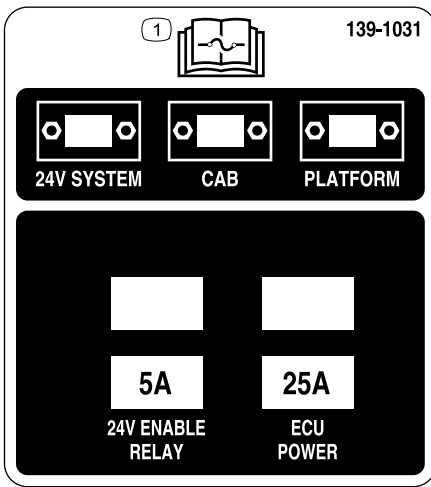
**136-1003**

- |                      |                       |
|----------------------|-----------------------|
| 1. Cruise control—on | 2. Cruise control—off |
|----------------------|-----------------------|



decal137-5499

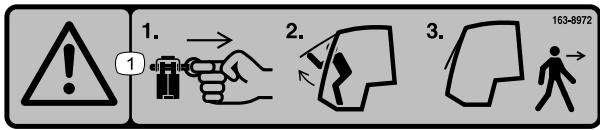
**137-5499**



139-1031

decal139-1031

1. Read the *Operator's Manual* for fuse information.



163-8972

decal163-8972

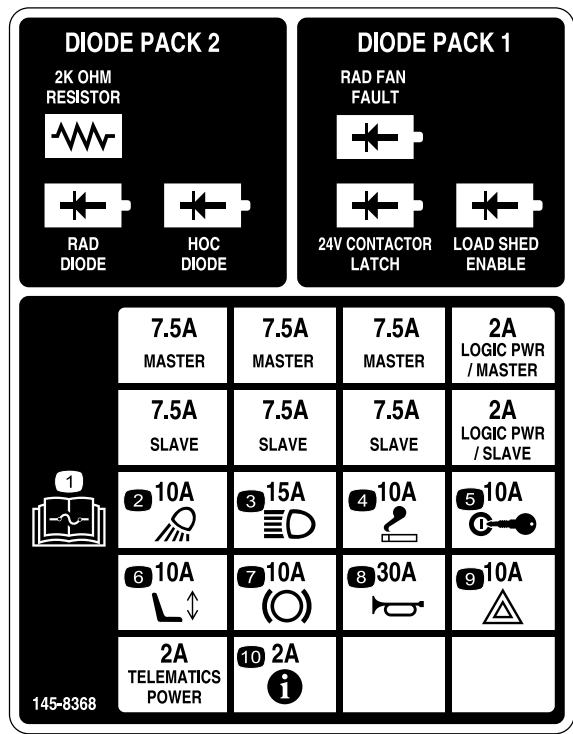
1. Warning—remove the pin, raise the doors, and exit the cab.



**Battery Symbols**

Some or all of these symbols are on your battery.

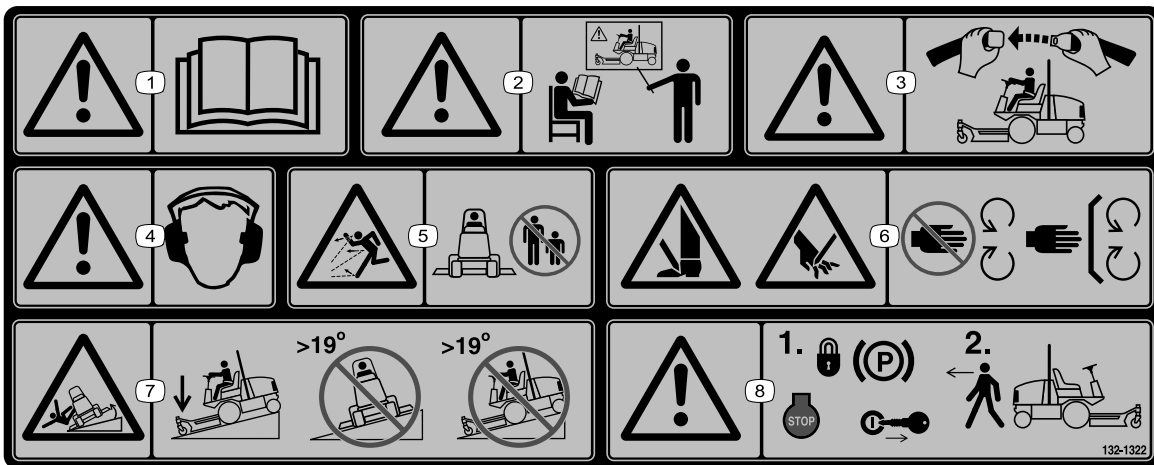
- |  |   |
|--|---|
| 1. Explosion hazard                    | 6. Keep bystanders away from the battery.                                       |
| 2. No fire, open flame, or smoking     | 7. Wear eye protection; explosive gases can cause blindness and other injuries. |
| 3. Caustic liquid/chemical burn hazard | 8. Battery acid can cause blindness or severe burns.                            |
| 4. Wear eye protection.                | 9. Flush eyes immediately with water and get medical help fast.                 |
| 5. Read the <i>Operator's Manual</i> . | 10. Contains lead; do not discard   |



145-8368

decal145-8368

- |  |                  |
|--|------------------|
| 1. Read the <i>Operator's Manual</i> for information on fuses. | 6. Electric seat |
| 2. Work lights   | 7. PTO           |
| 3. Headlights  | 8. Horn          |
| 4. Cigarette lighter   | 9. Hazard light  |
| 5. Ignition  | 10. Infocenter   |

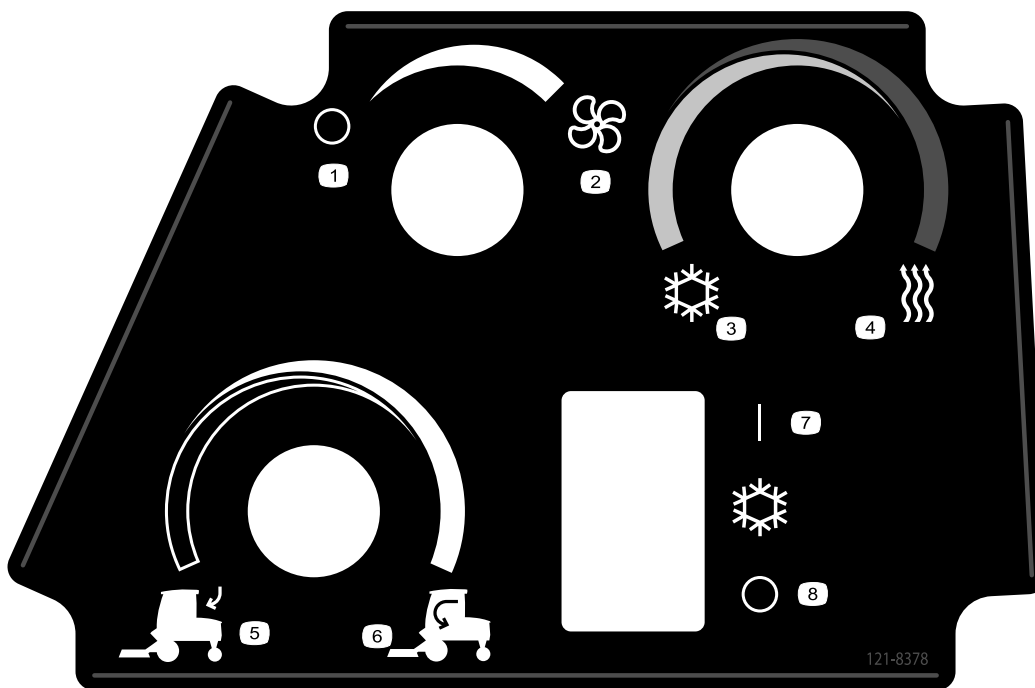


decal132-1322

132-1322

**Note:** This machine complies with the industry standard stability test in the static lateral and longitudinal tests with the maximum recommended slope indicated on the decal. Review the instructions for operating the machine on slopes in the *Operator's Manual* as well as the conditions in which you would operate the machine to determine whether you can operate the machine in the conditions on that day and at that site. Changes in the terrain can result in a change in slope operation for the machine.

- |   |   |
|---|---|
| <ol style="list-style-type: none"> <li>1. Warning—read the <i>Operator's Manual</i>.</li> <li>2. Warning—all operators should be trained before operating the machine.</li> <li>3. Warning—wear the seatbelt.</li> <li>4. Warning—wear hearing protection.</li> </ol> | <ol style="list-style-type: none"> <li>5. Thrown object hazard—keep bystanders away.</li> <li>6. Cutting/dismemberment hazard of hands or feet—stay away from moving parts; keep all guards and shields in place.</li> <li>7. Tipping hazard—lower the cutting unit when driving down slopes; do not operate on slopes greater than 19°.</li> <li>8. Warning—engage the parking brake, shut off the engine, and remove the key before leaving the machine.</li> </ol> |
|---|---|



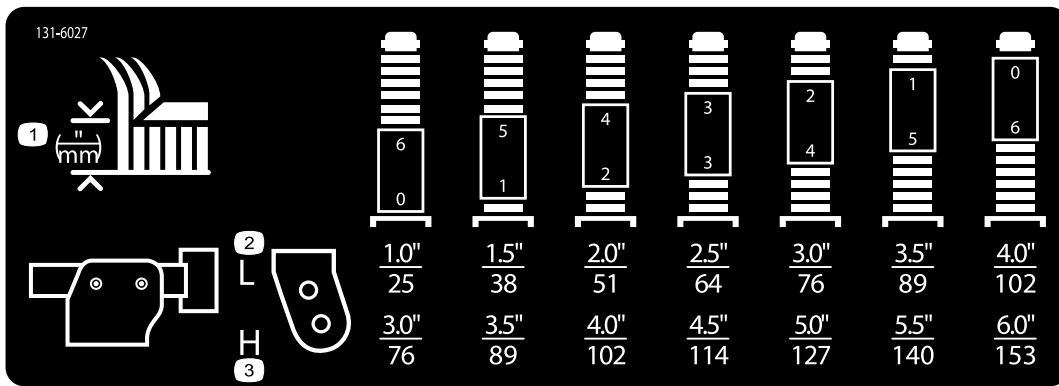
121-8378

decal121-8378

121-8378

Model with Cab Only

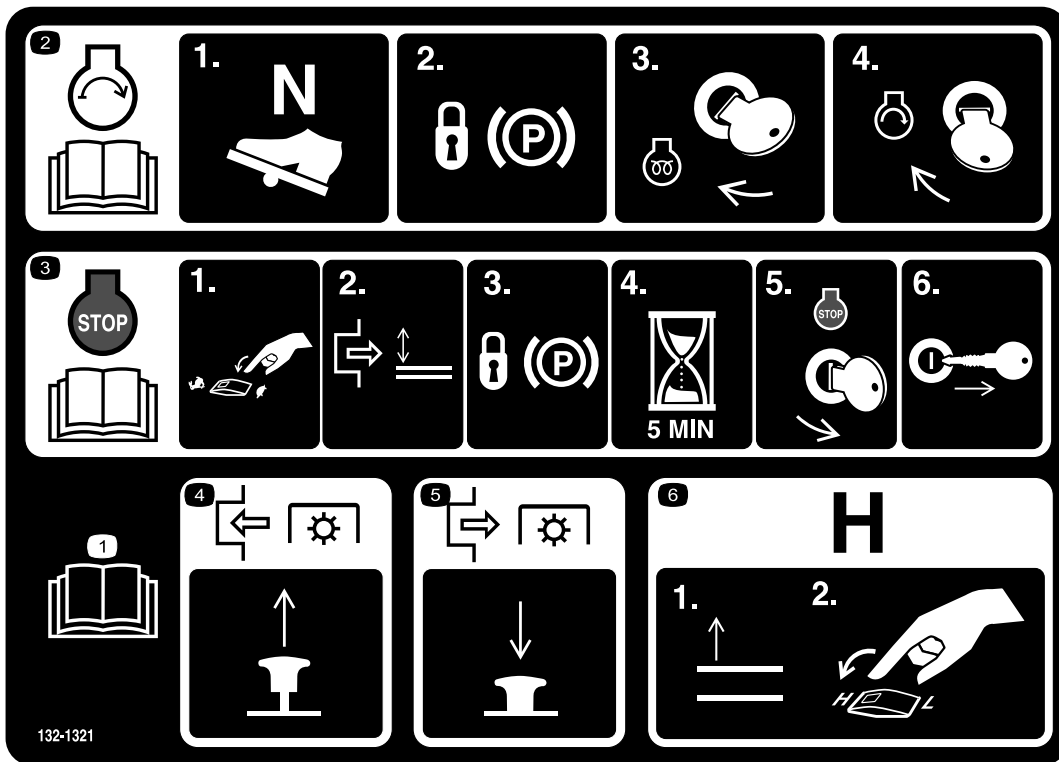
- |  |   |  |   |
|--|---|--|---|
| <ol style="list-style-type: none"> <li>1. Fan—off</li> <li>2. Fan—on full</li> </ol> | <ol style="list-style-type: none"> <li>3. Cold air</li> <li>4. Hot air</li> </ol> | <ol style="list-style-type: none"> <li>5. External air</li> <li>6. Internal air</li> </ol> | <ol style="list-style-type: none"> <li>7. Air conditioner—on</li> <li>8. Air conditioner—off</li> </ol> |
|--|---|--|---|



decal131-6027

**131-6027**

1. Height-of-cut settings
2. Upper caster position—heights of cut 25 to 102 cm (1 to 4 inches)
3. Lower caster position—heights of cut 76 to 153 cm (3 to 6 inches)

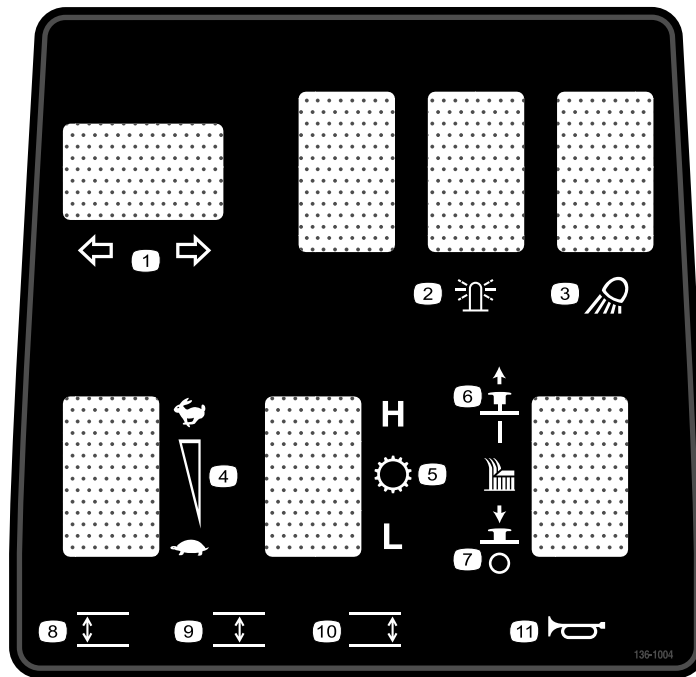


132-1321

decal132-1321

**132-1321**

1. Read the *Operator's Manual*.
2. To start the engine: 1) Put the traction pedal in neutral; 2) Engage the parking brake; 3) Turn the key to the run position; 4) Turn the key to the engine start position.
3. To shut off the engine: 1) Move the throttle switch to slow; 2) Disengage the PTO; 3) Engage the parking brake; 4) Wait 5 minutes; 5) Turn the ignition key to Stop; and 6) Remove the key.
4. To engage the PTO, pull up the knob.
5. To disengage the PTO, push down the knob.
6. To switch the transmission to high speed, fully raise the attachments and switch the speed control to the HIGH position.



136-1004

decal136-1004

1. Turn signals
2. Beacon
3. Work light
4. Engine speed
5. Transmission
6. Cutting unit—on
7. Cutting unit—off
8. Lower the left cutting unit.
9. Lower the center cutting unit.
10. Lower the right cutting unit.
11. Horn

### GROUNDMASTER 5900 / 5910, MODEL 31698 & 31699 QUICK REFERENCE AID

**CHECK/SERVICE (DAILY)**

1. ENGINE OIL LEVEL
2. HYDRAULIC FLUID LEVEL
3. ENGINE COOLANT LEVEL
4. FUEL - ULTRA LOW SULFUR DIESEL ONLY
5. ALTERNATOR / AC BELT TENSION
6. RADIATOR SCREEN / RADIATOR CORE
7. AIR CLEANER
8. HYD OIL COOLER SCREEN / COOLER CORE
9. INTERLOCK SYSTEM
10. TIRE PRESSURE - FRONT = 32 PSI / 2,20 BAR REAR = 30 PSI / 2,10 BAR CASTORS = 50 PSI / 3,45 BAR

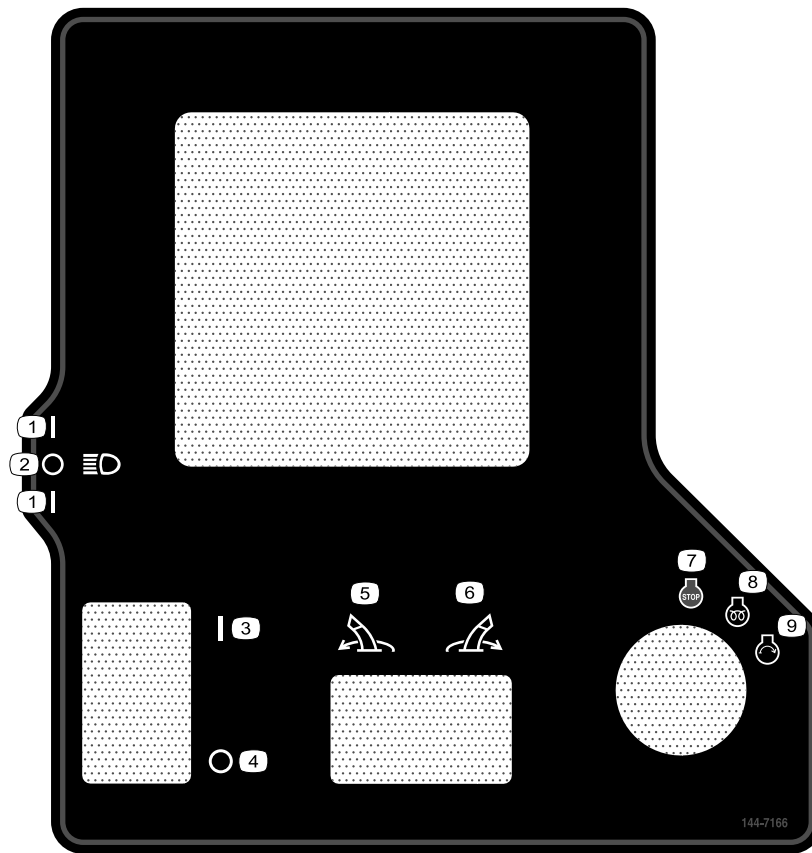
**SPECIFICATIONS/CHANGE INTERVALS**

SEE OPERATOR'S MANUAL FOR INITIAL CHANGES.	FLUID TYPE	CAPACITY	CHANGE INTERVAL		FILTER PART NO.
			FLUID	FILTER	
ENGINE OIL	15W-40 C.J-4	11 QUARTS	500 HOURS	500 HOURS	125-7025 (A)
HYDRAULIC FLUID	SEE OPERATOR'S MANUAL	87 QUARTS	2000 HOURS	1000 HOURS	75-1310 (B) 86-6110 (C)
PRIMARY AIR FILTER					SEE OPERATOR'S MANUAL 109-3815 (D)
SAFETY AIR FILTER					SEE OPERATOR'S MANUAL 130-9070 (E)
FUEL SYSTEM	> 32 F	NO. 2 DIESEL B20	35 GALLONS	800 HOURS	125-2915 (F) WATER SEPARATOR
	< 32 F	NO. 1 DIESEL		DRAIN/FLUSH	400 HOURS / YEARLY
ENGINE COOLANT	50% WATER 50% ETHYL GLYCOL	13,5 QUARTS 18,0 QTS W/ CAB	DRAIN & FLUSH EVERY 2 YRS.		

139-0977

decal139-0977

1. Read the *Operator's Manual*.



**144-7166**

decal144-7166

- |                     |                                |                                 |
|---------------------|--------------------------------|---------------------------------|
| 1. Headlights—on    | 4. Parking brake—off           | 7. Engine—stop                  |
| 2. Headlights—off   | 5. Pivot the attachment left.  | 8. Engine—run, electric preheat |
| 3. Parking brake—on | 6. Pivot the attachment right. | 9. Engine—start                 |

# Setup

## Loose Parts

Use the chart below to verify that all parts have been shipped.

Procedure	Description	Qty.	Use
<b>1</b>	No parts required	–	Remove the wing-deck-shipping straps and braces.
<b>2</b>	Right deck cover Left deck cover V-belt	1 1 2	Lower the front-deck winglets.
<b>3</b>	No parts required	–	Check the tire and caster wheel pressure.
<b>4</b>	No parts required	–	Level the front, center cutting unit.
<b>5</b>	No parts required	–	Level the winglet decks to the front, center deck.
<b>6</b>	No parts required	–	Check the fluid levels.
<b>7</b>	No parts required	–	Grease the machine.
<b>8</b>	Production-year decal	1	Install the decal (CE machines only).

## Media and Additional Parts

Description	Qty.	Use
Operator's Manual	1	Review it before operating the machine.
Engine owner's manual	1	Use it to reference engine information.
Declaration of conformity	1	For CE compliance
Ignition keys	2	Start the engine.

**Note:** Determine the left and right sides of the machine from the normal operating position.

# 1

## Removing the Wing-Deck-Shipping Straps and Braces

**No Parts Required**

### Procedure

1. Park the machine on a level surface, engage the parking brake, shut off the engine, and remove the key.

- Remove the straps and braces securing the wing decks for shipping.

# 2

## Lowering the Front-Deck Winglets

Parts needed for this procedure:

1	Right deck cover
1	Left deck cover
2	V-belt

### Procedure

- Remove the nuts securing the front and rear stop bolts to the right winglet-deck mounts (Figure 3).

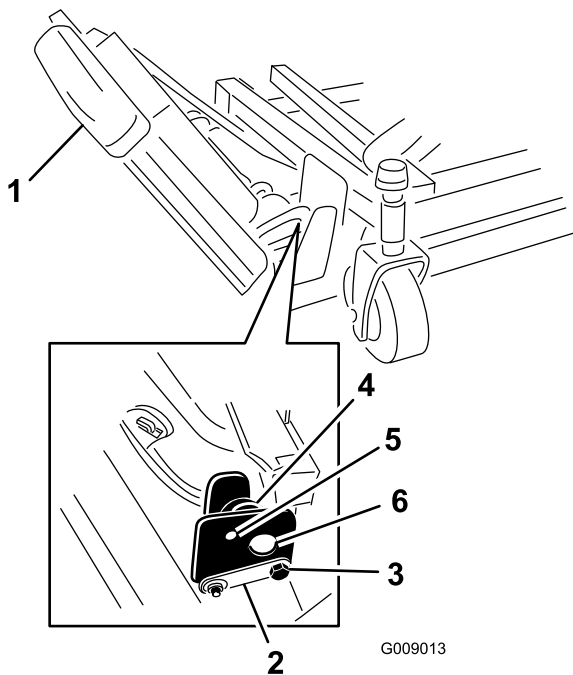


Figure 3

- |              |                |
|--------------|----------------|
| 1. Winglet   | 4. Eccentric   |
| 2. Hinge pin | 5. Upper hole  |
| 3. Stop bolt | 6. Deck mounts |

- While supporting the right winglet, remove the front and rear stop bolts from the deck mounts (Figure 3).

**Note:** Leave the eccentrics positioned between the deck mounts.

- Lower the winglet to the operating position.

- Install the front and rear stop bolts through the upper-mounting holes and eccentrics (Figure 4).

**Note:** Ensure that the stop bolt engages the tab on the hinge pin.

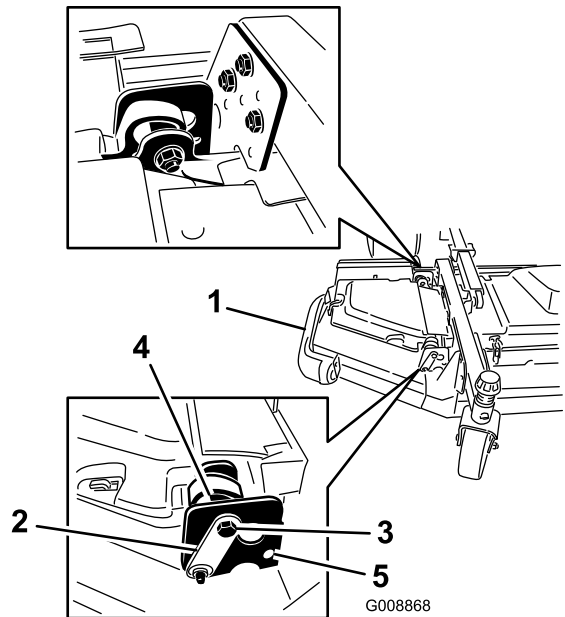


Figure 4

- |              |               |
|--------------|---------------|
| 1. Winglet   | 4. Eccentric  |
| 2. Hinge pin | 5. Lower hole |
| 3. Bolt      |               |

- Install the nuts securing the stop bolts.

**Note:** Do not tighten the nuts at this time.

- Repeat this procedure on the left winglet.

- Install the winglet belts as follows:

- Start the belt around the winglet-spindle pulley and the front-deck-spindle pulley (Figure 5).

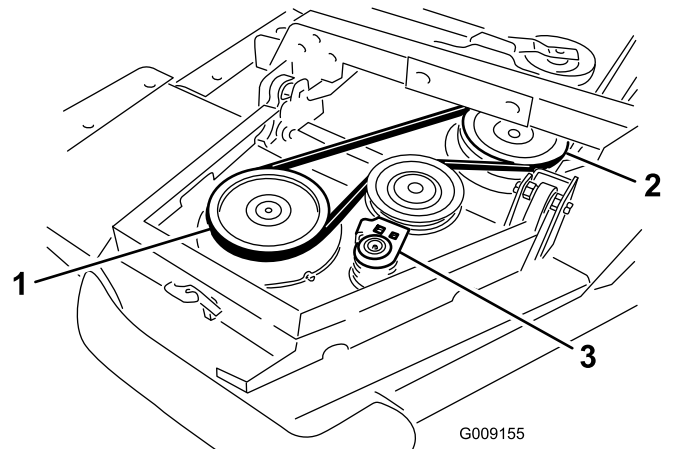


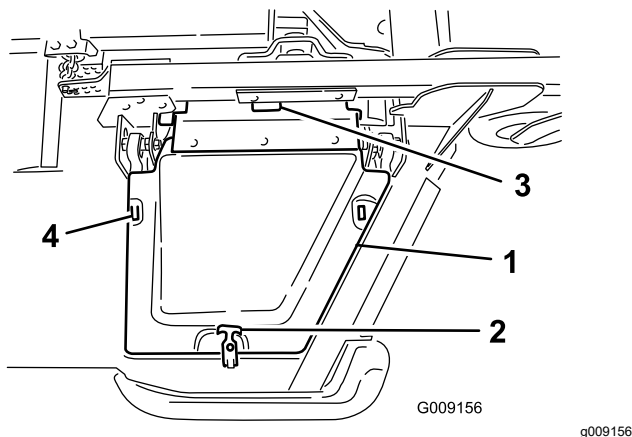
Figure 5

- |                              |                 |
|------------------------------|-----------------|
| 1. Winglet-spindle pulley    | 3. Idler pulley |
| 2. Front-deck-spindle pulley |                 |

- B. Using a ratchet wrench or a similar tool, move the idler pulley away from the pulleys (Figure 5).
  - C. Route the belt around the winglet-spindle pulley and the upper-spindle pulley on the front deck.
  - D. Release the idler pulley to put tension on the belt.
8. Install the winglet-deck cover and secure it with the rubber latch (Figure 6).

**Note:** Ensure that you slide the cover under the front, center deck-cover tabs before inserting it onto the mounting hooks and post.

9. Repeat this procedure on the other winglet.



**Figure 6**

- |                 |                                  |
|-----------------|----------------------------------|
| 1. Cover        | 3. Front, center deck-cover tabs |
| 2. Rubber latch | 4. Mount hooks                   |

tire size between the front and rear tires. Use only genuine Toro tires.

# 4

## Leveling the Front, Center Cutting Unit

**No Parts Required**

### Procedure

**Note:** Perform this procedure on a flat, level surface.

Refer to [Adjusting the Height of Cut \(page 29\)](#).

1. Rotate the blade on each outer spindle until the ends face forward and backward.
2. Measure from the floor to the front tip of the blade.
3. Adjust the 3 mm (1/8 inch) shims on the front caster fork(s) to match the desired height of cut.
4. Rotate the blades 180° and measure from the floor to the rear-facing tip of the blade.
5. Loosen the lower jam nuts on the height-of-cut chain U-bolt.
6. Adjust the nuts to raise or lower the rear of the cutting unit so that the tips of the rear blades are 6 to 10 mm (1/4 to 3/8 inch) higher than the front tips.
7. Tighten the jam nuts.

# 3

## Checking the Tire and Caster Wheel Pressure

**No Parts Required**

### Procedure

Check the tire and caster wheel pressure before use; refer to [Checking the Tire Pressure \(page 29\)](#) and [Checking the Caster Wheel Tire Pressure \(page 29\)](#).

**Important:** Maintain pressure in all tires to ensure a good quality-of-cut and proper machine performance. *Do not underinflate the tires.*

**Important:** Traction performance, including tire-slip control, is dependent on the ratio of the

# 5

## Leveling the Winglet Decks to the Front, Center Cutting Unit

**No Parts Required**

### Procedure

1. Rotate the blade on each winglet so that it points side to side.
2. Loosen the bolts and nuts securing the 2 eccentric spacers to the winglets (Figure 7).

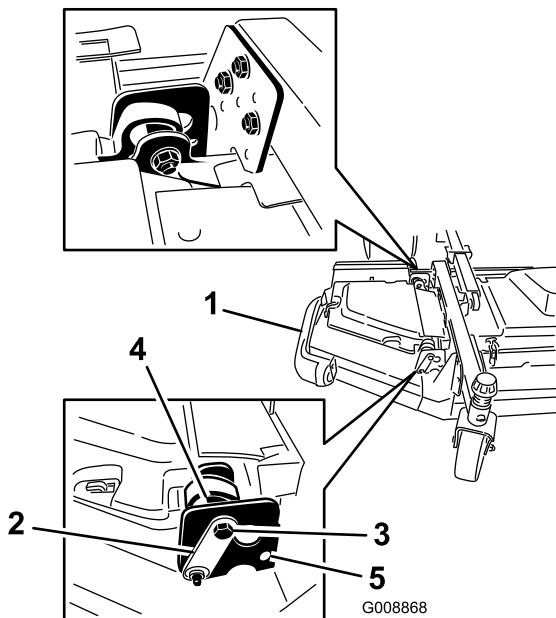


Figure 7

- |              |               |
|--------------|---------------|
| 1. Winglet   | 4. Eccentric  |
| 2. Hinge pin | 5. Upper hole |
| 3. Stop bolt |               |

- Rotate the forward eccentric until it reaches maximum clearance with the inner-slot surface of the winglet-pivot bracket.
- Rotate the rear (closest to the traction unit) eccentric until the outside blade tip is about 3 mm (1/8 inch) higher than the desired height of cut (Figure 7).

**Note:** There is a notch on the eccentric hex, which is 180° from the lobe on the eccentric cam (Figure 8). Use the notches to reference the location of the lobes when adjusting the eccentrics.

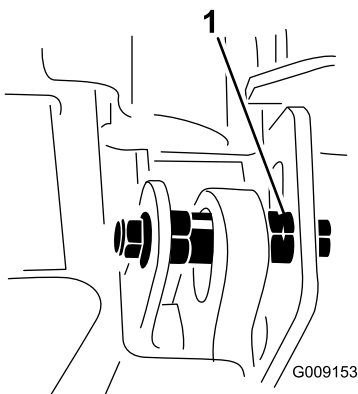


Figure 8

- Eccentric notch

- Tighten the bolt and nut for this eccentric to 149 N·m (110 ft-lb).

- Adjust the forward eccentric until it just makes contact with the inner slot surface of the winglet-pivot brackets.
- Tighten the bolt and nut for this eccentric to 149 N·m (110 ft-lb).
- Repeat the procedure on the opposite winglet.

## 6

### Checking the Fluid Levels

No Parts Required

#### Procedure

- Check the engine-oil level before starting the engine; refer to [Checking the Engine-Oil Level \(page 58\)](#).
- Check the hydraulic-fluid level before starting the engine; refer to [Checking the Hydraulic Fluid \(page 77\)](#).
- Check the cooling system before starting the engine; refer to [Checking the Engine-Cooling System \(page 70\)](#).

## 7

### Greasing the Machine

No Parts Required

#### Procedure

Grease the machine before use; refer to [Greasing the Bearings and Bushings \(page 54\)](#).

**Important:** Failure to properly grease the machine will result in premature failure of critical parts.

# 8

## Installing the Decal (CE Machines Only)

Parts needed for this procedure:

1	Production-year decal
---	-----------------------

### Procedure

On machines requiring CE compliance, install the production-year decal included in the loose parts and the CE Kit, sold separately (Figure 9).

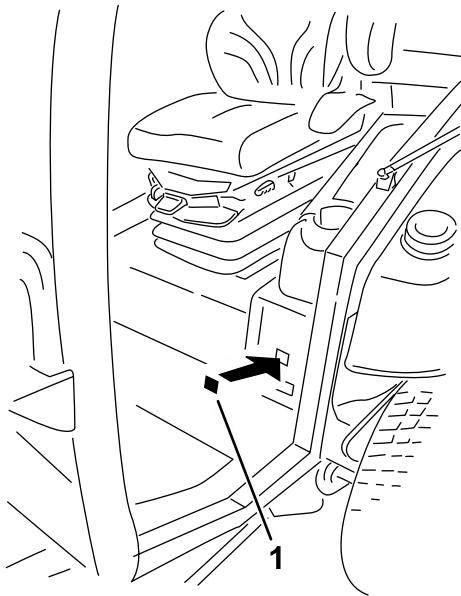


Figure 9

g282517

1. Production-year decal
-

# Product Overview

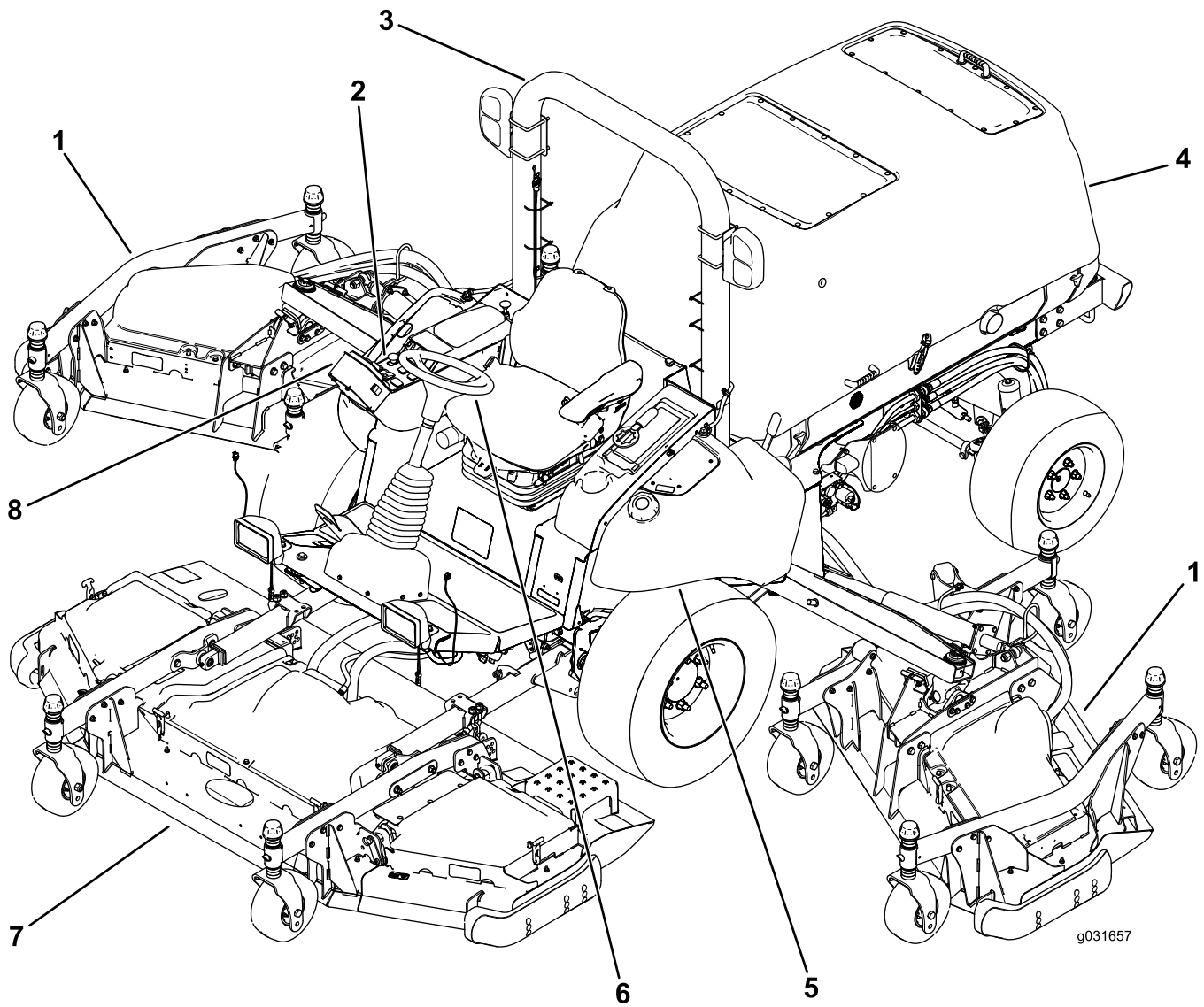


Figure 10

- |                      |                       |
|----------------------|-----------------------|
| 1. Wing cutting unit | 5. Fuel tank          |
| 2. Control panel     | 6. Steering wheel     |
| 3. Roll bar          | 7. Front cutting unit |
| 4. Hood              | 8. InfoCenter         |

g031657

# Controls

**Note:** Determine the left and right sides of the machine from the normal operating position.

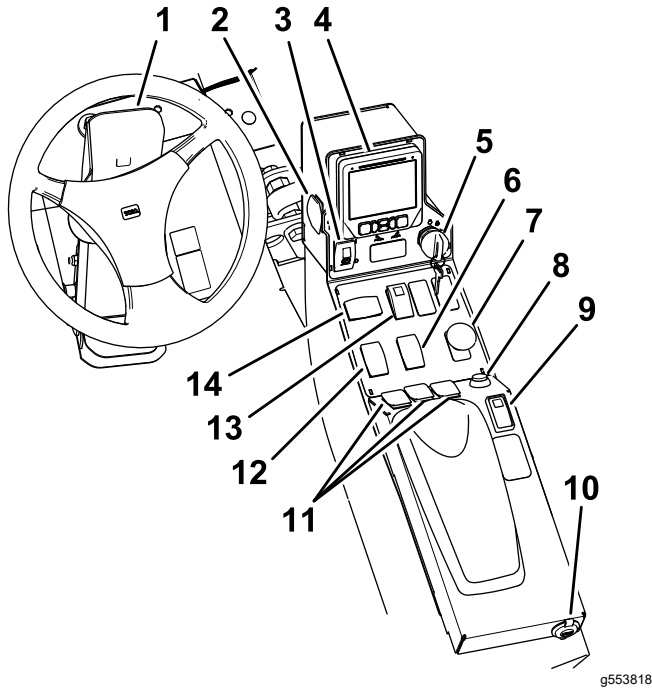


Figure 11

- |                                |                          |
|--------------------------------|--------------------------|
| 1. Traction pedal              | 8. Horn button           |
| 2. Light switch                | 9. Cruise-control switch |
| 3. Parking-brake switch        | 10. USB power            |
| 4. InfoCenter control          | 11. Deck-lift switches   |
| 5. Key switch                  | 12. Throttle switch      |
| 6. High—Low range-speed switch | 13. Hazard switch        |
| 7. PTO switch                  | 14. Turn-signal switch   |

## Traction Pedal

The traction pedal controls the forward and reverse operation. Press the top of the pedal to move the machine forward and the bottom to move it backward. Ground speed depends on how far you press the pedal. For maximum ground speed, fully press the pedal while the throttle is in the HIGH IDLE position (Figure 11).

To stop the machine, reduce your foot pressure on the traction pedal and allow it to return to the center position.

## Parking-Brake Switch

The parking-brake switch requires 2 actions to engage the brake. While holding the small latch back, press the parking-brake switch forward to engage the parking brake. Press the parking-brake switch rearward to disengage the parking brake (Figure 11).

## Hazard-Light Switch

Press the hazard-light switch forward to engage the hazard lights and rearward to disengage the hazard lights (Figure 11).

## Turn-Signal Switch

Press the left side of the turn-signal switch to activate the left-turn signal and the right side of the switch to activate the right-turn signal (Figure 11).

**Note:** The center position is off.

## Key Switch

The key switch has 3 positions: STOP, RUN/PREHEAT, and START (Figure 11).

## PTO Switch

The PTO switch has 2 positions: OUT (start) and IN (stop). Pull out the PTO button to engage the implement or mower-deck blades. Push in the button to disengage the implement operation (Figure 11).

## High-Low Range-Speed Switch

Press the front of the switch to select HIGH-SPEED RANGE. Press the rear of the switch to select LOW-SPEED RANGE. The machine must be stationary or traveling at less than 1.0 km/h (0.6 mph) to shift between HIGH and LOW (Figure 11).

## Cruise-Control Switch

The cruise-control switch sets your desired speed of the machine.

Move the cruise-control switch to the center position to turn the cruise control to the ON position. Press the switch forward to set the speed. Press the switch rearward to disengage the cruise control (Figure 11).

**Note:** Foot pedal movement in reverse disengages the cruise control.

When you engage the cruise control, you can change the cruise-control speed using the InfoCenter control.

## Deck-Lift Switches

The deck-lift switches raise and lower the cutting units (Figure 11).

Press the switches forward to lower the cutting unit and rearward to raise the cutting unit.

**Note:** The cutting units do not lower while the machine is in the HIGH-speed range, and the cutting units do not raise or lower if you are out of the seat while the engine is running.

**Note:** The deck-raising function is limited at engine speeds below 2,000 rpm. Only 1 deck raises at a time below 2,000 rpm.

## Throttle Switch

The throttle switch has 2 positions: LOW IDLE and HIGH IDLE (Figure 11).

Press the switch forward for 2 or more seconds to set the throttle at HIGH IDLE; press the switch rearward for 2 or more seconds to set the throttle at LOW IDLE; or momentarily press the switch in either direction to increase or decrease the engine speed in 100-rpm increments.

## Light Switch

Press the light switch upward to turn the lights to the ON position (Figure 11).

Press the light switch downward to turn the lights to the OFF position.

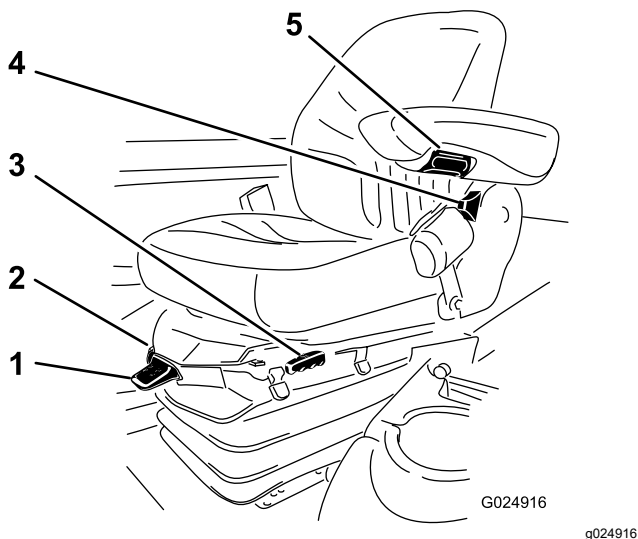
## Horn Button

Press the horn button to activate the horn (Figure 11).

## Seat Adjustments

### Seat-Adjustment Lever

Move the seat-adjustment lever on the side of the seat outward, slide the seat to the desired position, and release the lever to lock the seat into position (Figure 12).



**Figure 12**

- |                            |                               |
|----------------------------|-------------------------------|
| 1. Weight gauge            | 4. Seat-back adjustment lever |
| 2. Weight-adjustment lever | 5. Armrest-adjustment knob    |
| 3. Seat-adjustment lever   |                               |

### Armrest-Adjustment Knob

Rotate the knob to adjust the armrest angle (Figure 12).

### Seat-Back-Adjustment Lever

Move the lever to adjust the seat-back angle (Figure 12).

### Weight Gauge

The weight gauge indicates when the seat is adjusted to the weight of the operator (Figure 12). Adjust the height by positioning the suspension within the range of the green region.

### Weight-Adjustment Lever

Use this lever to adjust to the proper weight of the operator (Figure 12). Pull up the lever to increase the air pressure and push down to decrease the air pressure. The proper adjustment is correct when the weight gauge is in the green region.

## USB Power

You can insert your portable charger into the USB ports to charge a personal device, such as a phone or other electronic device (Figure 11).

## Audible Alarm (Console)

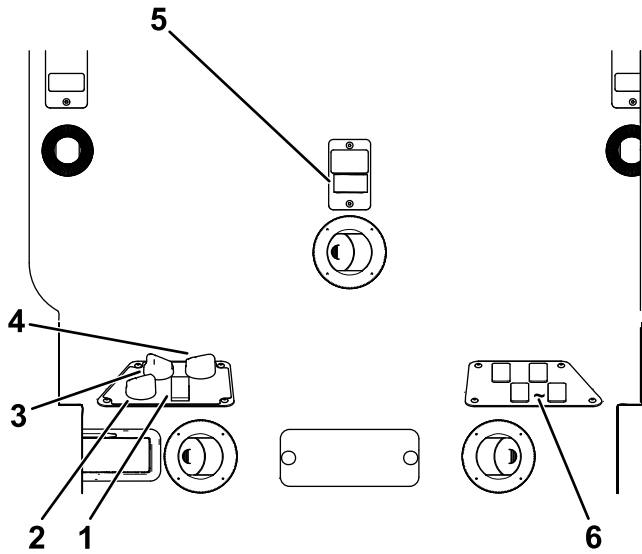
The alarm is activated when a fault is detected.

The buzzer sounds when the following occur:

- The engine sends a stop fault
- The engine sends a check-engine fault
- The fuel level is low

# Cab Controls

For Machines with a Cab



G032672  
g032672

Figure 13

- |                              |                                     |
|------------------------------|-------------------------------------|
| 1. Air-conditioning switch   | 4. Temperature control              |
| 2. Air-recirculation control | 5. Windshield-wiper switch          |
| 3. Fan control               | 6. Blank switches for optional kits |

## Air-Recirculation Control

The air-recirculation control sets the cab to either recirculate the air in the cabin or to draw air into the cabin from outside (Figure 13).

- Set it to recirculate the air when using the air-conditioning.
- Set it to draw air in when using the heater or fan.

## Fan-Control Knob

Rotate the fan-control knob to regulate the speed of the fan (Figure 13).

## Temperature-Control-Knob

Rotate the temperature-control knob to regulate the air temperature in the cab (Figure 13).

## Windshield-Wiper Switch

Use this switch to turn the windshield wipers on or off (Figure 13).

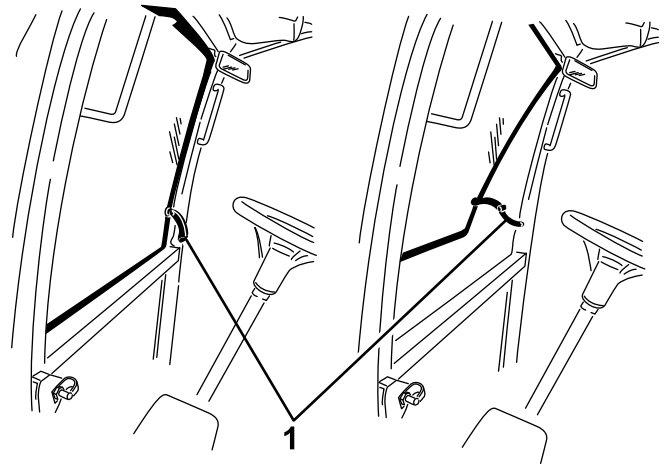
## Air-Conditioning Switch

Use this switch to turn the air conditioning on or off (Figure 13).

## Windshield Latch

Lift up the latches to open the windshield (Figure 14). Press in the latch to lock windshield to the OPEN

position. Pull out and down on the latch to close and secure the windshield.



g196911

Figure 14

1. Windshield latch

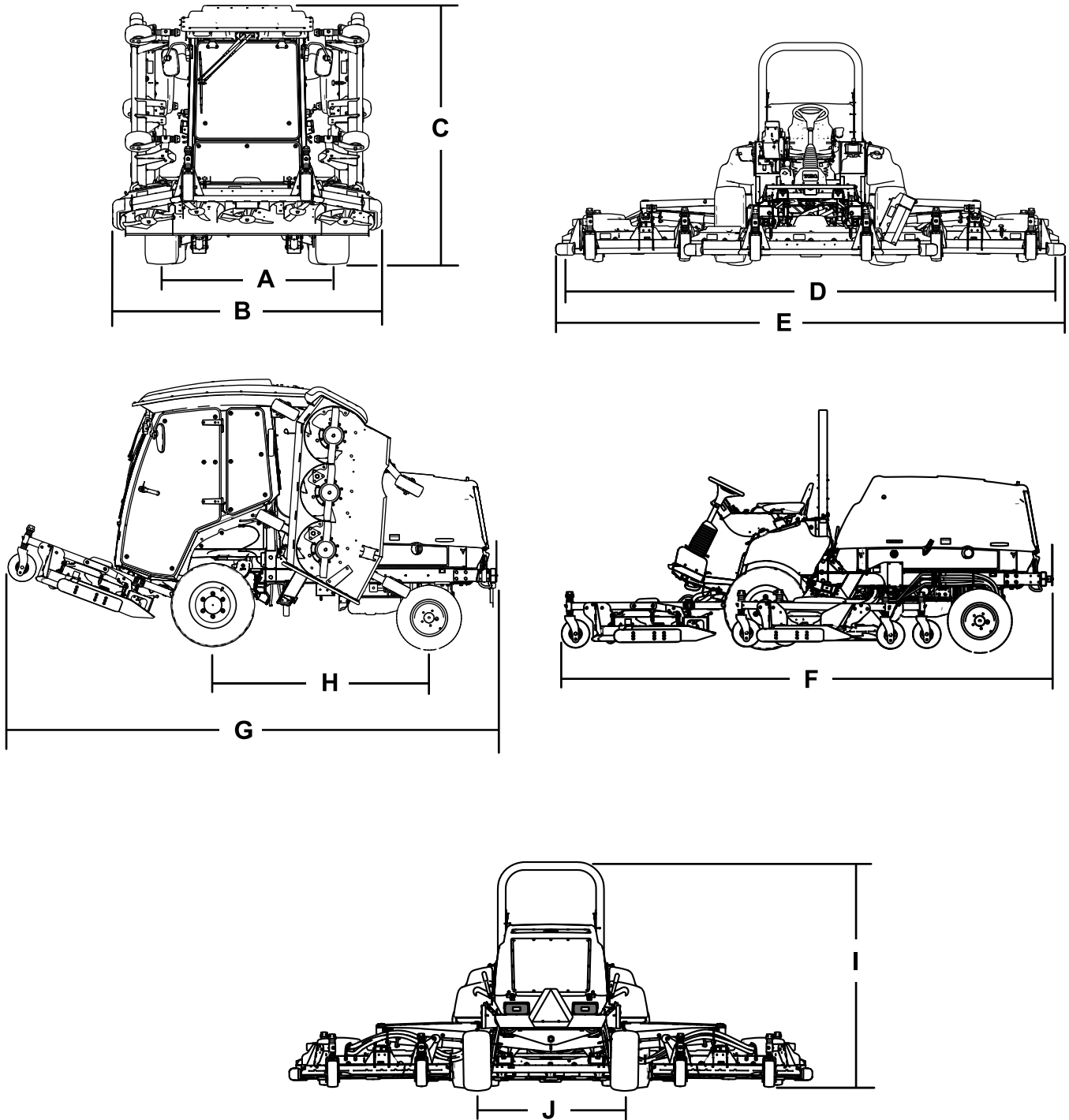
## Rear Window Latch

Lift up the latches to open the rear window. Press in on the latch to lock the window in OPEN position. Pull out and down on the latch to close and secure the window (Figure 14).

**Important:** Close the rear window before opening the hood or damage may occur to the hood or rear window.

# Specifications

**Note:** Specifications and design are subject to change without notice.



**Figure 15**

g200003

Description	Figure 15 reference	Dimension or Weight
Height with cab	C	240 cm (94.5 inches)
Height with roll bar	I	216 cm (85 inches)
Overall length	F	442 cm (174 inches)
Length for storage or transport	G	434 cm (171 inches)

Width of cut	overall	D	488 cm (192 inches)
	front cutting unit		234 cm (92 inches)
	side cutting unit		145 cm (57 inches)
	front and one side cutting unit		361 cm (142 inches)
Overall width	cutting units down	E	506 cm (199 inches)
	cutting units up (transport position)	B	251 cm (99 inches)
Wheel base		H	194 cm (76-1/2 inches)
Wheel tread (tire center to center)	front	A	159 cm (62.5 inches)
	rear	J	142 cm (56 inches)
Ground clearance			25.4 cm (10 inches)
Net weight with cab			3313 kg (7,304 lb)
Net weight with roll bar			3044 kg (6,710 lb)

## Attachments/Accessories

A selection of Toro approved attachments and accessories is available for use with the machine to enhance and expand its capabilities. Contact your Authorized Service Dealer or authorized Toro distributor or go to [www.Toro.com](http://www.Toro.com) for a list of all approved attachments and accessories.

To ensure optimum performance and continued safety certification of the machine, use only genuine Toro replacement parts and accessories. Replacement parts and accessories made by other manufacturers could be dangerous, and such use could void the product warranty.

# Operation

**Note:** Determine the left and right sides of the machine from the normal operating position.

## Before Operation

### Before Operation Safety

#### General Safety

- Never allow children or untrained people to operate or service the machine. Local regulations may restrict the age of the operator. The owner is responsible for training all operators and mechanics.
- Become familiar with the safe operation of the equipment, operator controls, and safety signs.
- Shut off the engine, remove the key, and wait for all movement to stop before you leave the operator's position. Allow the machine to cool before adjusting, servicing, cleaning, or storing it.
- Know how to stop the machine and shut off the engine quickly.
- Check that operator-presence controls, safety switches, and guards are attached and functioning properly. Do not operate the machine unless they are functioning properly.
- Before mowing, always inspect the machine to ensure that the blades, blade bolts, and cutting assemblies are in good working condition. Replace worn or damaged blades and bolts in sets to preserve balance.
- Inspect the area where you will use the machine and remove all objects that the machine could throw.
- This product generates an electromagnetic field. If you wear an implantable electronic medical device, consult your health care professional before using this product.

#### Fuel Safety

- Use extreme care in handling fuel. It is flammable and its vapors are explosive.
- Extinguish all cigarettes, cigars, pipes, and other sources of ignition.
- Use only an approved fuel container.
- Do not remove the fuel cap or fill the fuel tank while the engine is running or hot.
- Do not add or drain fuel in an enclosed space.

- Do not store the machine or fuel container where there is an open flame, spark, or pilot light, such as on a water heater or other appliance.
- If you spill fuel, do not attempt to start the engine; avoid creating any source of ignition until the fuel vapors have dissipated.

### Checking the Engine-Oil Level

Before you start the engine and use the machine, check the oil level in the engine crankcase; refer to [Checking the Engine-Oil Level \(page 58\)](#).

### Checking the Cooling System

Before you start the engine and use the machine, check the cooling system; refer to [Checking the Engine-Cooling System \(page 70\)](#).

### Checking the Hydraulic System

Before you start the engine and use the machine, check the hydraulic system; refer to [Checking the Hydraulic Fluid \(page 77\)](#).

### Filling the Fuel Tank

#### Fuel Tank Capacity

132 L (35 US gallons)

#### Fuel Specification

**Important:** Use only ultra-low sulphur diesel fuel. Fuel with higher rates of sulfur degrades the diesel oxidation catalyst (DOC), which causes operational problems and shortens the service life of engine components.

Failure to observe the following cautions may damage the engine.

- Never use kerosene or gasoline instead of diesel fuel.
- Never mix kerosene or used engine oil with the diesel fuel.
- Never keep fuel in containers with zinc plating on the inside.
- Do not use fuel additives.

## Petroleum Diesel

**Cetane rating:** 45 or higher

**Sulfur content:** Ultra-low sulfur (<15 ppm)

### Fuel Table

Diesel fuel specification	Location
ASTM D975 No. 1-D S15 No. 2-D S15	USA
EN 590	European Union
ISO 8217 DMX	International
JIS K2204 Grade No. 2	Japan
KSM-2610	Korea

- Use only clean, fresh diesel fuel or biodiesel fuels.
- Purchase fuel in quantities that can be used within 180 days to ensure fuel freshness.

Use summer-grade diesel fuel (No. 2-D) at temperatures above  $-7^{\circ}\text{C}$  ( $20^{\circ}\text{F}$ ) and winter-grade fuel (No. 1-D or No. 1-D/2-D blend) below that temperature.

**Note:** Use of winter-grade fuel at lower temperatures provides lower flash point and cold flow characteristics which eases starting and reduces fuel filter plugging.

Using summer-grade fuel above  $-7^{\circ}\text{C}$  ( $20^{\circ}\text{F}$ ) contributes toward longer fuel pump life and increased power compared to winter-grade fuel.

## Using Biodiesel

This machine can also use a biodiesel-blended fuel of up to B20 (20% biodiesel, 80% petrodiesel).

**Sulfur content:** Ultra-low sulfur (<15 ppm)

**Biodiesel fuel specification:** ASTM D6751 or EN14214

**Blended fuel specification:** ASTM D975, EN590, or JIS K2204

**Important:** The petroleum diesel portion must be ultra-low sulfur.

Observe the following precautions:

- Biodiesel blends may damage painted surfaces.
- Use B5 (biodiesel content of 5%) or lesser blends in cold weather.
- Monitor seals, hoses, gaskets in contact with fuel as they may degrade over time.
- Fuel filter plugging may occur for a time after you convert to biodiesel blends.
- For more information on biodiesel, contact your authorized Toro distributor.

## Adding Fuel

1. Park the machine on a level surface (Figure 16).
2. Shut off the engine, remove the key, and engage the parking brake.
3. Clean around the fuel-tank cap and remove the cap.
4. Add fuel and install the fuel-tank cap. Wipe up any spilled fuel.

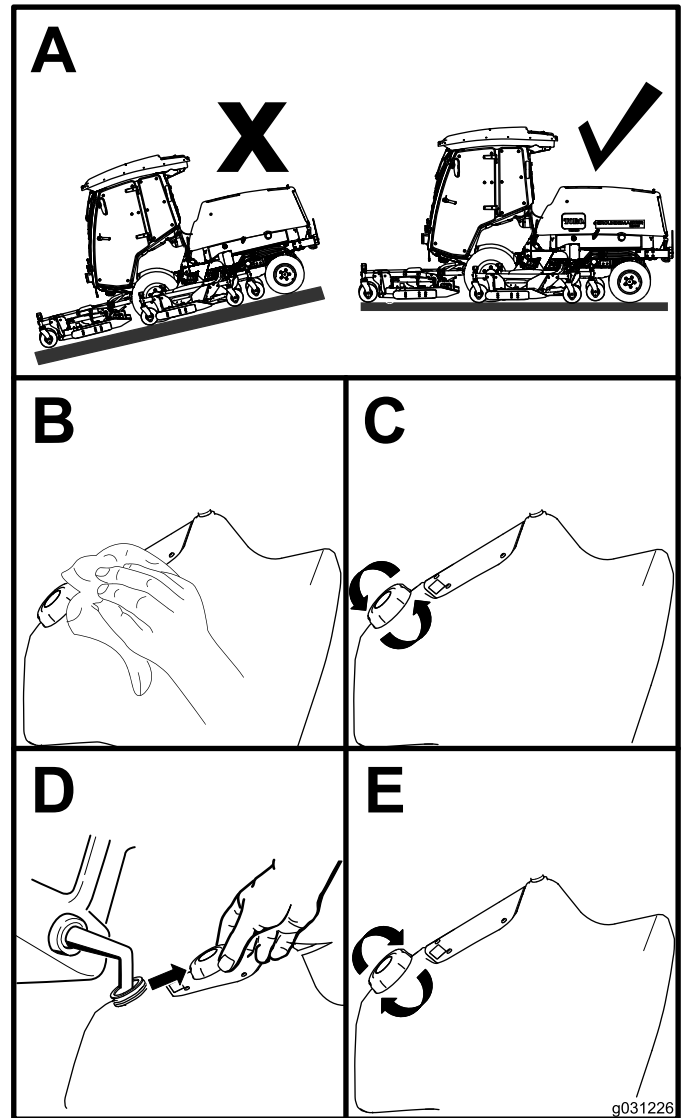


Figure 16

# Checking the Tire Pressure

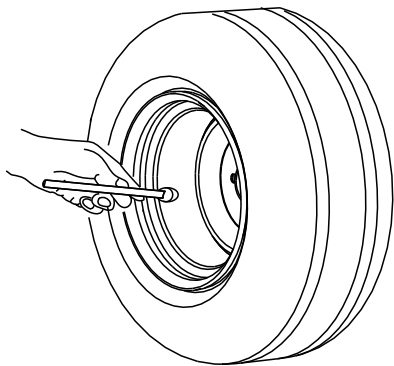
**Service Interval:** Before each use or daily

The correct air pressure in the front tires is 220 kPa (32 psi) and the rear tires is 207 kPa (30 psi) as shown in [Figure 17](#).

**Important:** Maintain pressure in all tires to ensure a good quality of cut and proper machine performance. Do not underinflate the tires.

Check the air pressure in all the tires before operating the machine.

Traction performance, including tire-slip control, is dependent on the ratio of the tire size between the front and rear tires. Use only genuine Toro tires.



G001055

g001055

Figure 17

# Checking the Caster Wheel Tire Pressure

The correct air pressure in the caster wheel tires is 340 kPa (50 psi).

**Important:** Maintain pressure in all tires to ensure a good quality of cut and proper machine performance. Do not underinflate the tires.

Check the air pressure in all the tires before operating the machine.

# Checking the Torque of the Wheel-Lug Nuts

**Service Interval:** After the first 10 hours  
Every 250 hours

## ⚠ WARNING

Failure to maintain the proper torque of the wheel nuts could result in failure or loss of a wheel, and may result in personal injury.

Torque the front and rear-wheel nuts to 135 to 150 N·m (100 to 110 ft·lb) according to the maintenance schedule.

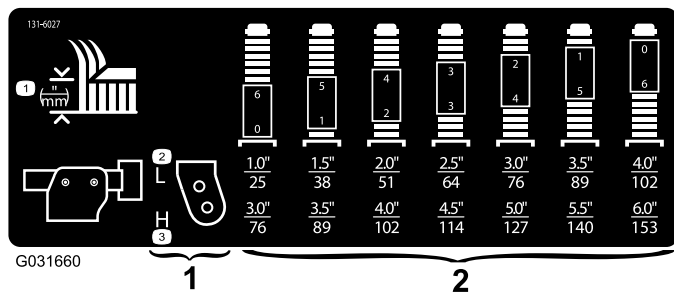
# Adjusting the Height of Cut

You can adjust the height of cut from 25 to 153 mm (1 to 6 inches) in 13 mm (1/2 inch) increments. To adjust the height of cut, position the caster-wheel axles in the upper or lower holes of the caster forks, add or remove an equal number of spacers from the caster forks, and adjust the rear chain (front deck only) to the desired holes.

# Adjusting the Front Cutting Unit

1. Start the engine and raise the cutting units so you can change the height of cut.
2. Shut off the engine and remove the key after the cutting unit is raised.
3. Position the caster-wheel axles in the same holes in all of the caster forks; refer to the chart ([Figure 18](#)) to determine the correct holes for the setting.

**Note:** To prevent grass buildup between the wheel and the fork, operate the machine at the 76 mm (3 inches) height of cut or higher and install the axle bolt in the bottom caster-fork hole. When operating the machine at a height of cut lower than 76 mm (3 inches) and when you detect grass buildup, reverse the direction of the machine to pull any clippings away from the wheel and fork.



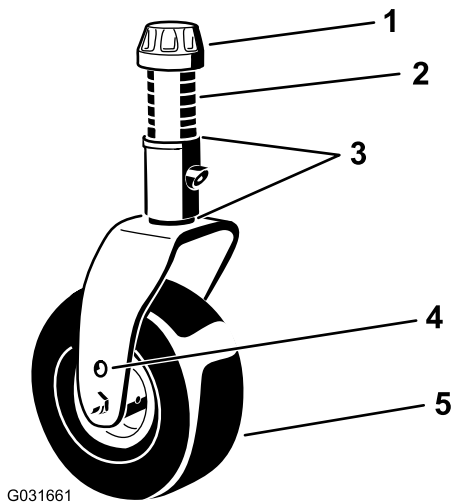
G031660

g031660

Figure 18

1. Caster wheel height-of-cut
2. Caster fork height-of-cut spacers

4. Using the supplied caster-cap wrench, loosen the tensioning cap and remove it from the caster-spindle shaft and slide the caster shaft out of the caster arm ([Figure 19](#)).



G031661

g031661

**Figure 19**

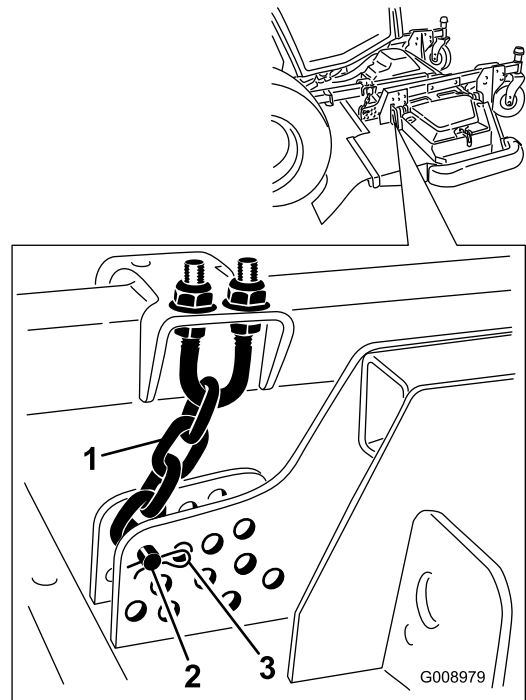
- 1. Tensioning cap
- 2. Spacers (6)
- 3. Shims (2 top and 2 bottom)
- 4. Top axle-mounting hole
- 5. Caster wheel

- 5. Slide the appropriate number of spacers onto the shaft to get the desired height of cut.

**Note:** Refer to the chart to determine the combinations of spacers for the setting (Figure 18).

**Note:** You may use the shims in any combination above or below the caster-arm hub (as required) to achieve the desired height of cut or deck level.

- 6. Push the caster shaft through the front caster arm.
- 7. Install the shims (as originally installed) and the remaining spacers onto the shaft (Figure 19).
- 8. Install the tensioning cap and tighten it with the supplied caster-cap wrench to secure the assembly (Figure 19).
- 9. Remove the hairpin cotter and clevis pin securing the height-of-cut chains to the rear of the cutting unit (Figure 20).



G008979

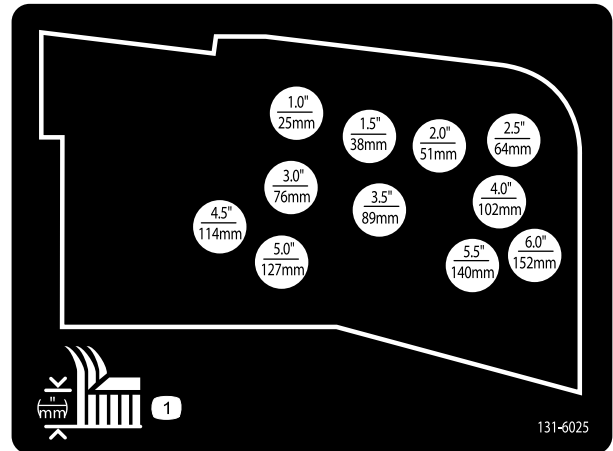
g008979

**Figure 20**

- 1. Height-of-cut chain
- 2. Clevis pin
- 3. Hairpin cotter

- 10. Mount the height-of-cut chains to the desired height-of-cut hole with the clevis pin and hairpin cotter (Figure 21).

**Note:** When mowing at a height of cut below 51 mm (2 inches), move the skids, gage wheels, and rollers to the highest holes.



131-5025

decal131-6025

**Figure 21**

## Adjusting the Wing Cutting Units

1. Start the engine and raise the cutting units so you can change the height of cut.
2. Shut off the engine and remove the key after you raise the cutting unit.
3. Position the caster-wheel axles in the same holes in all of the caster forks; refer to the chart to determine the correct holes for the height-of-cut setting (Figure 22).

**Note:** To prevent grass buildup between the wheel and the fork, operate the machine at the 76 mm (3 inches) height of cut or higher and install the axle bolt in the bottom caster-fork hole. When operating the machine at a height of cut lower than 76 mm (3 inches) and when you detect grass buildup, reverse the direction of the machine to pull any clippings away from the wheel and fork.

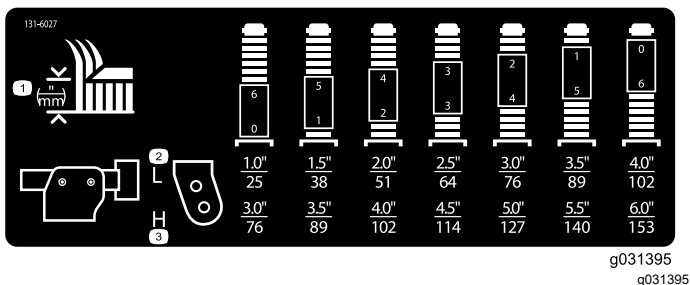


Figure 22

4. Using the supplied caster-cap wrench, loosen the tensioning cap and remove it from the caster-spindle shaft and slide the caster shaft out of the caster arm (Figure 23).

**Note:** You may use shims in any combination above or below the caster arm hub as required to achieve the desired height of cut or deck level.

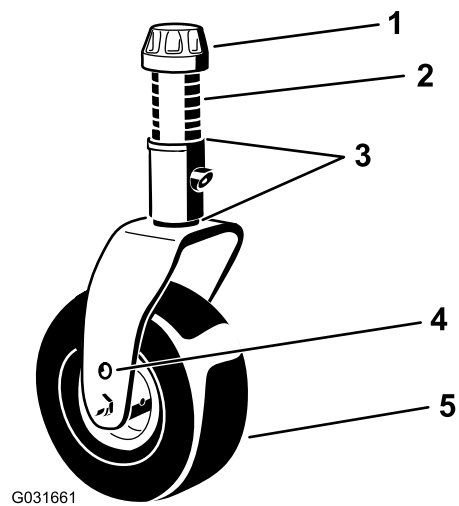


Figure 23

1. Tensioning cap
2. Spacers (6)
3. Shims (2 top and 2 bottom)
4. Top axle-mounting hole
5. Caster wheel

5. Install 2 shims onto the shaft as originally installed and slide the appropriate number of spacers onto the shaft to get the desired height of cut.
6. Push the caster shaft through the caster arm.
7. Install the shims (as originally installed) and the remaining spacers onto the shaft.
8. Install the tensioning cap and tighten it with the supplied caster-cap wrench to secure the assembly.

# Adjusting the Skids

## Adjusting the Inner Skids

Mount the inner skids in the lower position when operating at heights of cut greater than 51 mm (2 inches) and in the higher position when operating at heights of cut lower than 51 mm (2 inches).

Adjust the inner skids (Figure 24).

**Important:** Torque the screw at the front of each inner skid to 9 to 11 N·m (80 to 100 in-lb).

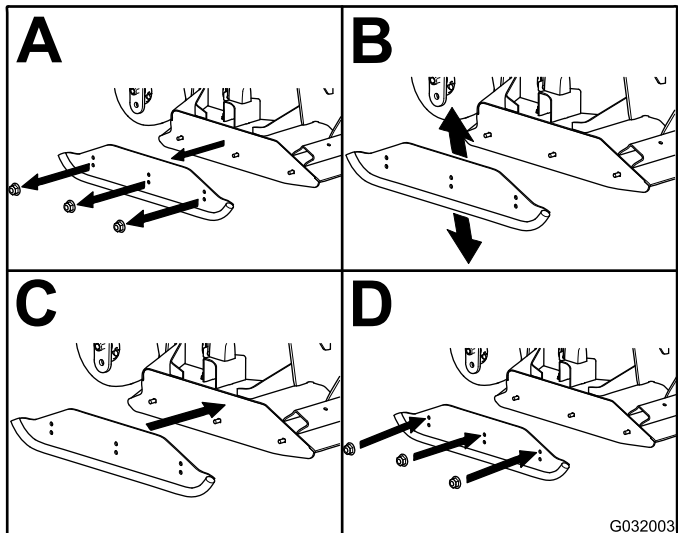
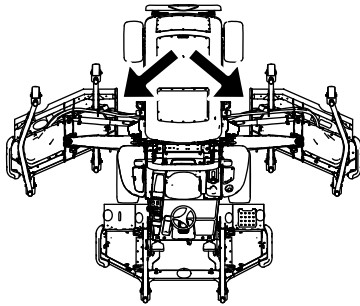
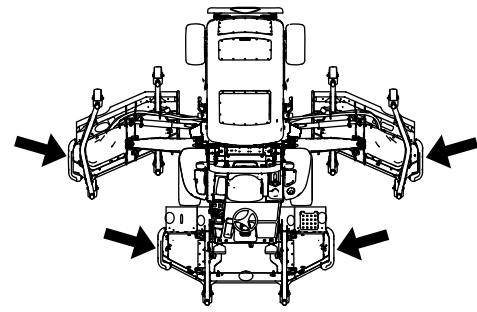


Figure 24



g202202

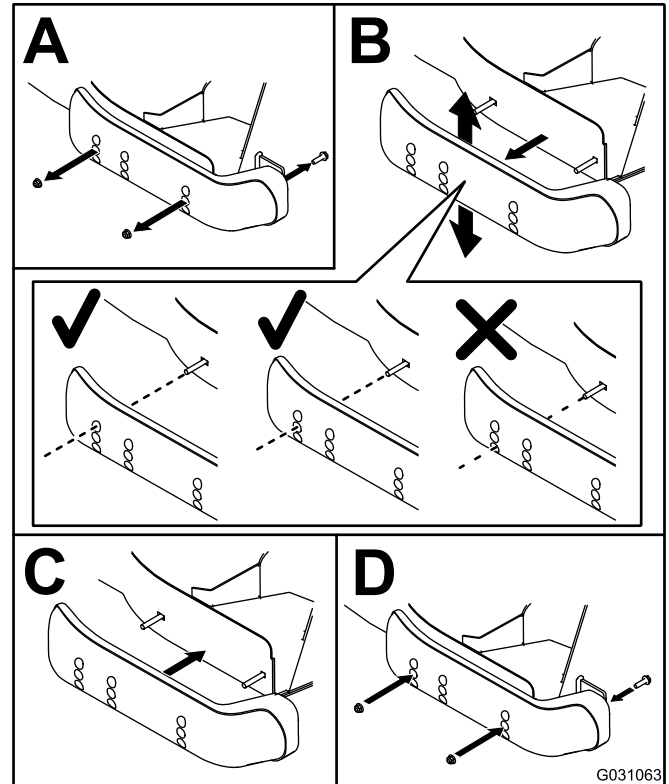


Figure 25

## Adjusting the Outer Skids

Mount the outer skids in the lower position when operating at heights of cut greater than 51 mm (2 inches) and in the higher position when operating at heights of cut lower than 51 mm (2 inches).

**Note:** When the outer skids become worn, you can switch them to the opposite sides of the mower by flipping them over. This allows you to use the outer skids longer before replacing them.

Adjust the outer skids (Figure 25).

**Important:** Torque the screw at the front of each outer skid to 9 to 11 N·m (80 to 100 in-lb).

# Adjusting the Cutting Unit Anti-Scalp Rollers

Mount the roller in the lower position when operating at heights of cut greater than 51 mm (2 inches) and in a higher position when operating at heights of cut lower than 51 mm (2 inches).

## Adjusting the Roller

1. Remove the roller shaft, screw, and nut securing the roller to the deck bracket (Figure 26).

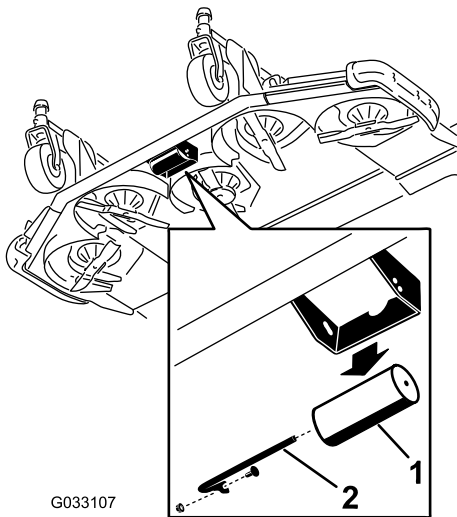


Figure 26

1. Roller
2. Roller shaft, screw, and nut

2. Align the roller with the top holes and install the shaft with the screw and nut (Figure 27).

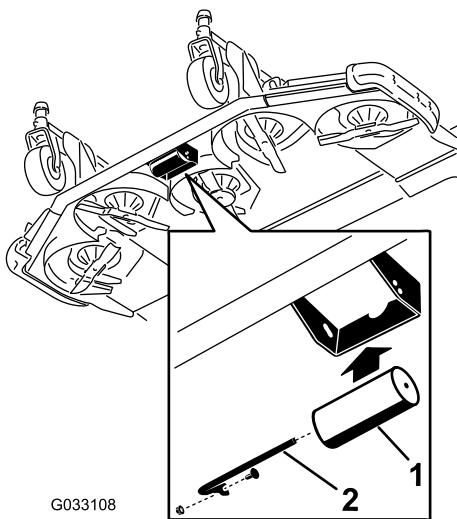


Figure 27

1. Roller
2. Roller shaft, screw, and nut

# Correcting a Mismatch Between the Cutting Units

Due to differences in grass conditions and the counterbalance setting of the traction unit, you should cut the grass and check the appearance before you begin mowing the entire area.

1. Set all cutting units to the desired height of cut; refer to [Adjusting the Height of Cut \(page 29\)](#).
2. Check and adjust the front and rear tire pressure.

**Note:** The correct air pressure in the front tires is 220 kPa (32 psi) and the rear tires is 207 kPa (30 psi).

3. Check and adjust all caster tire pressures to 340 kPa (50 psi).
4. Check the lift and counterbalance pressures with the engine throttle at HIGH IDLE using the test ports; refer to [Inspecting the Hydraulic System Test Ports \(page 79\)](#).
5. Check for bent blades; refer to [Checking for a Bent Blade \(page 82\)](#).
6. Cut grass in a test area to determine if all cutting units are mowing at the same height.
7. If you need to adjust a cutting unit, find a flat surface using a 2 m (6 ft) or longer straight edge to ensure that the surface is flat.
8. To ease measuring the blade plane, raise the height of cut to the highest position; refer to [Adjusting the Height of Cut \(page 29\)](#).
9. Lower the cutting units onto the flat surface and remove the covers from the tops of the cutting units.

## Wing Cutting Units

1. Rotate the blade of each spindle until the ends face forward and backward.
2. For the outside blade spindle only, equally adjust the shims on the front caster forks to match the desired height of cut.
3. Measure from the floor to the front tip of the mowing blade.
4. Rotate the blade 180° and measure from the floor to the tip of the mowing blade.

**Note:** The rear of the blade should be 7.5 mm (0.3 inch) higher than the front.

**Note:** If you need to make an adjustment, adjust the shims on the rear caster forks.

# Matching the Height of Cut Between Cutting Units

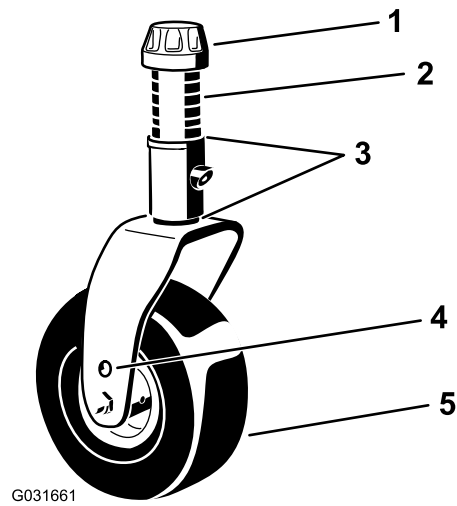
1. Position the blade side to side on the outside spindle of both wing cutting units.
  2. Measure from the floor to the tip of the cutting edge on both units and compare the measurements.
- Note:** These numbers should be within 3 mm (1/8 inch) of each other. Make no adjustment at this time.
3. Position the blade side to side on the inside spindle of the wing cutting unit and the corresponding outside spindle of the front cutting unit.
  4. Measure from the floor to the tip of the cutting edge on the inside edge of the wing cutting unit to the corresponding outside edge of the front cutting unit and compare.

**Note:** The wing cutting unit caster wheels should remain on the ground with counterbalance applied.

**Note:** If you need to make an adjustment to match the cut between the front and wing cutting unit, make them to the wing cutting units only.

5. If the inside edge of the wing cutting unit is too high relative to the outside edge of the front cutting unit, remove 1 shim from the bottom of the front, inside caster arm on the wing cutting unit (Figure 28 and Figure 29).

**Note:** Check the measurement between the outside edges of both wing cutting units and the inside edge of the wing cutting unit to outside edge of the front cutting unit again.

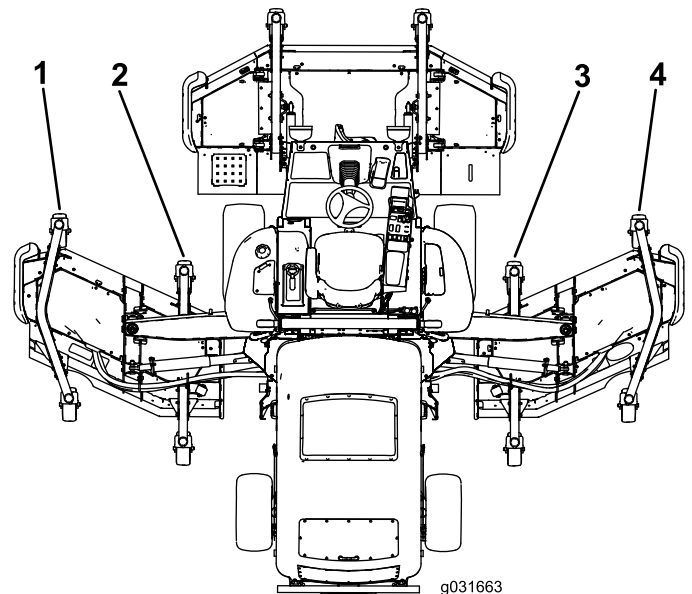


G031661

g031661

**Figure 28**

- |                               |                           |
|-------------------------------|---------------------------|
| 1. Tensioning cap             | 4. Top axle-mounting hole |
| 2. Spacers (6)                | 5. Caster wheel           |
| 3. Shims (2 top and 2 bottom) |                           |



g031663

g031663

**Figure 29**

- |                                    |                                     |
|------------------------------------|-------------------------------------|
| 1. Left, front, outside caster arm | 3. Right, front, inside caster arm  |
| 2. Left, front, inside caster arm  | 4. Right, front, outside caster arm |

6. If the inside edge is still too high, remove an additional shim from the bottom of the front, inside caster arm of the wing cutting unit and 1 shim from the front, outside caster arm of the wing cutting unit (Figure 28 and Figure 29).
7. If the inside edge of the wing cutting unit is too low relative to the outside edge of the front cutting unit, add 1 shim (1/8 inch) to the bottom of the front, inside caster arm on the wing cutting unit (Figure 28 and Figure 29).

**Note:** Check the measurement between the outside edges of both wing cutting units and the inside edge of the wing cutting unit to the outside edge of the front cutting unit again.

- If the inside edge is still too low, add an additional shim to the bottom of front, inside caster arm of the wing cutting unit and 1 shim to the front, outside caster arm of the wing cutting unit.
- Once the mowing height matches at the edges of the front and wing cutting units, verify that the cutting unit unit pitch is still 7.6 mm (0.3 inch).

## Adjusting the Mirrors For Machines with a Cab

### Rear-View Mirror

While sitting in the seat, adjust the rear-view mirror to attain the best view out of the rear window. Pull the lever rearward to tilt the mirror to reduce the brightness and glare of light (Figure 30).

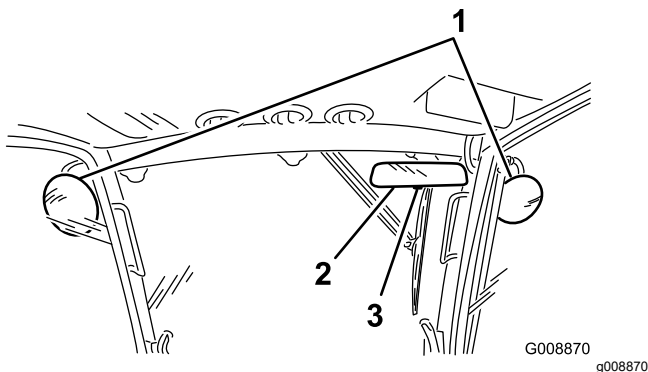


Figure 30

- Side-view mirrors
- Rear-view mirror
- Lever

### Side-View Mirrors

While sitting in the seat, have another person adjust the side-view mirrors to attain the best view around the side of the machine (Figure 30).

## Aiming the Headlights

### Model 31698 Only

- Loosen the mounting nuts and position each headlight so that it points straight ahead.  
**Note:** Tighten the mounting nut just enough to hold the headlight in position.
- Place a flat piece of sheet metal over the face of the headlight.

- Mount a magnetic protractor onto the plate.
- While holding the assembly in place, carefully tilt the headlight downward 3° then tighten the nut.
- Repeat this procedure on the other headlight.

## Checking the Safety-Interlock Switches

### ⚠ CAUTION

If safety-interlock switches are disconnected or damaged, the machine could potentially operate unexpectedly, causing personal injury.

- Do not tamper with or disable the safety systems.
- Check the operation of the interlock switches daily and replace any damaged switches before operating the machine.

The machine safety-interlock system is designed to disable the traction drive when the operator leaves the seat with the traction pedal out of the NEUTRAL position. The deck drive also disengages under the same condition. However, you may get off the seat while the engine is running if the traction pedal is in the NEUTRAL position.

- Drive the machine slowly to a large, open area.
- Lower the cutting unit(s), shut off the engine, and engage the parking brake.

## Checking the Traction Neutral Safety-Interlock Function

- Move the traction pedal out of the NEUTRAL position and start the engine.

**Note:** The engine should not start. If it does start, there is a malfunction in the interlock system that you should correct before resuming operation.

- Remove your foot from the traction pedal, start the engine, and engage the parking brake.
- With the engine running, move the traction pedal out of the NEUTRAL position.

**Note:** The traction drive should not function. If it does function, there is a malfunction in the interlock system that you should correct before resuming operation.

## Checking the PTO Safety-Interlock Function

1. Start the engine.
2. With the engine running, rise from the seat and engage the PTO.

**Note:** The PTO should not engage. If it does engage, there is a malfunction in the interlock system that you should correct before resuming operation.

3. Sit on the seat and disengage the PTO.
4. With the engine running, engage the PTO and rise from the seat.

**Note:** The PTO drive should disengage after a 1-second delay. If it does not shut off, there is a malfunction in the interlock system that you should correct before resuming operation.

5. Sit on the seat, disengage the PTO, and start the engine.
6. With the engine running, engage the PTO and raise each cutting unit individually.

**Note:** The blades of the raised cutting unit should stop. If the blades do not stop, there is a malfunction in the interlock system that you should correct before resuming operation.

## Checking the Blade Stopping Time

**Service Interval:** Before each use or daily

The blades of the cutting unit should come to a complete stop in approximately 5 seconds after you shut down the mower-deck-engagement switch.

**Note:** Ensure that the decks are lowered onto a clean section of turf or hard surface to avoid thrown dust and debris. To verify the stopping time, have someone stand back from the deck at least 6 m (20 ft) and watch the blades on 1 of the cutting units. Shut the cutting units down and record the time that it takes for the blades to come to a complete stop. If the time is greater than 7 seconds, adjust the braking valve; contact your authorized Toro distributor for assistance in making this adjustment.

## *During Operation*

### During Operation Safety

#### General Safety

- The owner/operator can prevent and is responsible for accidents that may cause personal injury or property damage.
- Wear appropriate clothing, including eye protection; long pants; substantial, slip-resistant footwear; and hearing protection. Tie back long hair and do not wear loose clothing or loose jewelry. Wear a dust mask in dusty operating conditions.
- Do not operate the machine while ill, tired, or under the influence of alcohol or drugs.
- Use your full attention while operating the machine. Do not engage in any activity that causes distractions; otherwise, injury or property damage may occur.
- Before you start the engine, ensure that all drives are in neutral, the parking brake is engaged, and you are in the operating position.
- Do not carry passengers on the machine and keep bystanders and children out of the operating area.
- Operate the machine only in good visibility to avoid holes or hidden hazards.
- Avoid mowing on wet grass. Reduced traction could cause the machine to slide.
- Keep your hands and feet away from rotating parts. Keep clear of the discharge opening.
- Look behind and down before backing up to be sure of a clear path.
- Use care when approaching blind corners, shrubs, trees, or other objects that may obscure your vision.
- Stop the blades whenever you are not mowing.
- Stop the machine, remove the key, and wait for all moving parts to stop before inspecting the attachment after striking an object or if there is an abnormal vibration in the machine. Make all necessary repairs before resuming operation.
- Slow down and use caution when making turns and crossing roads and sidewalks with the machine. Always yield the right-of-way.
- Disengage the drive to the cutting unit, shut off the engine, remove the key, and wait for all movement to stop before adjusting the height of cut (unless you can adjust it from the operating position).
- Operate the engine only in well-ventilated areas. Exhaust gases contain carbon monoxide, which is lethal if inhaled.

- Never leave a running machine unattended.
- Before you leave the operator's position, do the following:
  - Park the machine on a level surface.
  - Disengage the power takeoff and lower the attachments.
  - Engage the parking brake.
  - Shut off the engine and remove the key.
  - Wait for all movement to stop.
- Operate the machine only in good visibility. Do not operate the machine when there is the risk of lightning.
- Do not use the machine as a towing vehicle.
- Use accessories, attachments, and replacement parts approved by Toro only.
- Use the cruise control (if equipped) only when you can operate the machine in an open, flat area that is free from obstacles and where the machine can move at a constant speed without interruption.

## **Rollover Protection System (ROPS) Safety**

- The ROPS is an integral and effective safety device.
- Do not remove any of the ROPS components from the machine.
- Ensure that the seat belt is attached to the machine.
- Pull the belt strap over your lap and connect the belt to the buckle on the other side of the seat.
- To disconnect the seat belt, hold the belt, press the buckle button to release the belt, and guide the belt into the auto-retract opening. Ensure that you can release the belt quickly in an emergency.
- Check carefully for overhead obstructions and do not contact them.
- Keep the ROPS in safe operating condition by thoroughly inspecting it periodically for damage and keeping all the mounting fasteners tight.
- Replace damaged ROPS components. Do not repair or alter them.

## **Additional ROPS Safety for Machines with a Cab or a Fixed Roll Bar**

- A cab installed by Toro is a roll bar.
- Always wear your seat belt.

## **Slope Safety**

- Slopes are a major factor related to loss of control and rollover accidents, which can result in severe injury or death. You are responsible for safe slope operation. Operating the machine on any slope requires extra caution.
- Evaluate the site conditions to determine if the slope is safe for machine operation, including surveying the site. Always use common sense and good judgment when performing this survey.
- Review the slope instructions listed below for operating the machine on slopes and to determine whether you can operate the machine in the conditions on that day and at that site. Changes in the terrain can result in a change in slope operation for the machine.
- Avoid starting, stopping, or turning the machine on slopes. Avoid making sudden changes in speed or direction. Make turns slowly and gradually.
- Do not operate a machine under any conditions where traction, steering, or stability is in question.
- Remove or mark obstructions such as ditches, holes, ruts, bumps, rocks, or other hidden hazards. Tall grass can hide obstructions. Uneven terrain could overturn the machine.
- Be aware that operating the machine on wet grass, across slopes, or downhill may cause the machine to lose traction. Loss of traction to the drive wheels may result in sliding and a loss of braking and steering.
- Use extreme caution when operating the machine near drop-offs, ditches, embankments, water hazards, or other hazards. The machine could suddenly roll over if a wheel goes over the edge or the edge caves in. Establish a safety area between the machine and any hazard.
- Identify hazards at the base of the slope. If there are hazards, mow the slope with a pedestrian-controlled machine.
- If possible, keep the cutting unit(s) lowered to the ground while operating on slopes. Raising the cutting unit(s) while operating on slopes can cause the machine to become unstable.
- Use extreme caution with grass-collection systems or other attachments. These can change the stability of the machine and cause a loss of control.

# Starting the Engine

1. Ensure that the parking brake is engaged.
2. Remove your foot from the traction pedal and ensure that it is in the NEUTRAL position.
3. Turn the ignition key to the RUN position.
4. When the glow indicator dims, turn the ignition key to the START position.
5. Release the key immediately when the engine starts and allow it to return to the RUN position.
6. Allow the engine to warm up at low speed (without load) for 3 to 5 minutes, then actuate the throttle switch to attain the desired engine speed.

**Important:** The starter motor automatically disengages after 30 seconds to prevent premature starter motor failure. If the engine fails to start after 30 seconds, turn the key to the OFF position, check the controls and procedures again, wait 2 minutes, and repeat the starting procedure.

**Note:** When the hydraulic-fluid temperature is below 4°C (40°F), the machine operates in a warm-up mode; limiting the engine speed to 1,650 rpm and preventing traction-drive operation in High range. When the fluid temperature reaches 4°C (40°F), the warm-up mode disables.

# Shutting Off the Engine

1. Set the throttle switch to the LOW-IDLE position.
2. Move the PTO switch to the OFF position.
3. Engage the parking brake.
4. Rotate the ignition key to the OFF position.
5. Remove the key from the switch to prevent accidental starting.

**Important:** Allow the engine to idle for 5 minutes before shutting it off after a full-load operation. Failure to do so may lead to turbo-charger complications.

# Raising or Lowering the Cutting Units

## Raising the Cutting Units

1. While sitting in the operator's seat, start the engine.

**Note:** Whenever you are running the machine at under 2,000 rpm (e.g., when you are running

the engine at low idle or transporting the machine into or out of a building), you will not be able raise all the cutting units at once. Instead, you can only raise 1 cutting unit at a time.

2. Push the deck-lift switches rearward to raise the decks.

## Lowering the Decks

1. Using the handle, unhook the latches holding the decks in the raised position.
2. While sitting in the operator's seat, turn the ignition key to the RUN position (Figure 31).

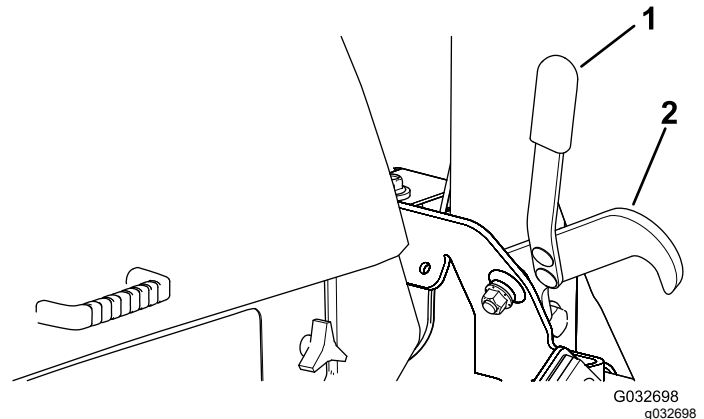


Figure 31

1. Handle
2. Latch

3. Push the deck-lift switches forward to lower the decks.

# Understanding the Diesel-Particulate Filter and Regeneration

The diesel-particulate filter (DPF) removes soot from the engine exhaust.

The DPF regeneration process uses heat from the engine exhaust that is increased by the catalyst to reduce accumulated soot into ash.

To keep the DPF clean, remember the following:

- Run the engine at full engine speed when possible to promote DPF self-cleaning.
- Use the correct engine oil.
- Minimize the amount of time that you idle the engine.
- Use only ultra low sulfur diesel fuel.

Operate and maintain your machine with the function of the DPF in mind. Engine under load generally produces adequate exhaust temperature for DPF regeneration.

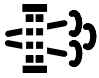


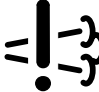
***Important:*** Minimize the amount of time that you idle the engine or operate the engine at low-engine speed to help reduce the accumulation of soot in the DPF.

## **⚠ CAUTION**

The exhaust temperature is hot (approximately 600°C (1,112°F) during DPF regeneration. Hot exhaust gas can harm you or other people.


- Do not operate the engine in an enclosed area.
- Ensure that there are no flammable materials around the exhaust system.
- Ensure that the hot exhaust gas does not contact surfaces that may be damaged by heat.
- Do not touch a hot exhaust system component.
- Do not stand near or around the exhaust pipe of the machine.

## Understanding the Regeneration Icons



Icon	Icon Definition
	<ul style="list-style-type: none"> <li>• Parked or recovery regeneration icon-regeneration is requested.</li> <li>• Perform the regeneration immediately.</li> </ul>
	<ul style="list-style-type: none"> <li>• A regeneration is acknowledged and the request is processing.</li> </ul>
	<ul style="list-style-type: none"> <li>• A regeneration is in progress and the exhaust temperature is elevated.</li> </ul>
	<ul style="list-style-type: none"> <li>• NOx control system malfunction; the machine requires service.</li> </ul>

## Types of Diesel Particulate Filter Regeneration

Types of diesel particulate filter regeneration that are performed while the machine is operating:

Type of Regeneration	Conditions that cause DPF regeneration	DPF description of operation
<b>Passive</b>	Occurs during normal operation of the machine at high-engine speed or high engine load	<ul style="list-style-type: none"> <li>• The InfoCenter does not display an icon indicating passive regeneration.</li> <li>• During passive regeneration, the DPF processes high-heat exhaust gasses, oxidizing harmful emissions, and burning soot to ash.</li> </ul>
<b>Assist</b>	Occurs because of low-engine speed, low-engine load, or after the computer detects the DPF is becoming obstructed with soot	<ul style="list-style-type: none"> <li>• The InfoCenter does not display an icon indicating assist regeneration.</li> <li>• During assist regeneration, the engine computer adjusts the engine settings to raise the exhaust temperature.</li> </ul>
<b>Reset</b>	Occurs every 100 hours Also occurs if normal engine operation surpasses the allowed soot accumulation amount within the filter	<ul style="list-style-type: none"> <li>• When the high exhaust-temperature icon  is displayed in the InfoCenter, a regeneration is in progress.</li> <li>• During reset regeneration, the engine computer maintains an elevated engine speed to ensure filter regeneration.</li> </ul>

## Types of diesel particulate filter regeneration that require you to park the machine:

Type of Regeneration	Conditions that cause DPF regeneration	DPF description of operation
<b>Parked</b>	<p>Occurs because the computer determines that the automatic DPF cleaning has not been sufficient.</p> <p>Also occurs because you initiate a parked regeneration</p> <p>May occur because the inhibit regen has been initiated and has disabled the automatic DPF cleaning from occurring</p> <p>May result from using the incorrect fuel or engine oil</p>	<ul style="list-style-type: none"> <li>When the reset-standby/parked or recovery regeneration icon  or a regeneration is requested.</li> <li>Perform the parked regeneration as soon as possible to avoid needing a recovery regeneration.</li> <li>A parked regeneration requires 30 to 60 minutes to complete.</li> <li>You must have at least a 1/4 tank of fuel in the tank.</li> <li>You must park the machine to perform a parked regeneration.</li> </ul>
<b>Recovery</b>	<p>Occurs because the request for parked recovery has been ignored, allowing the DPF to be critically plugged</p>	<ul style="list-style-type: none"> <li>When the reset-standby/parked or recovery regeneration icon  a recovery regeneration is requested.</li> <li>A recovery regeneration requires up to 3 hours to complete.</li> <li>You must have at least a 1/2 tank of fuel in the machine.</li> <li>You must park the machine to perform a recovery regeneration.</li> </ul>

## Using the DPF Regeneration Menus

### Accessing the DPF Regeneration Menus

- From the MAIN MENU, scroll down to SERVICE and press the select button.
- In SERVICE, scroll to DPF REGENERATION and press the select button.
- Select the regeneration function you need.

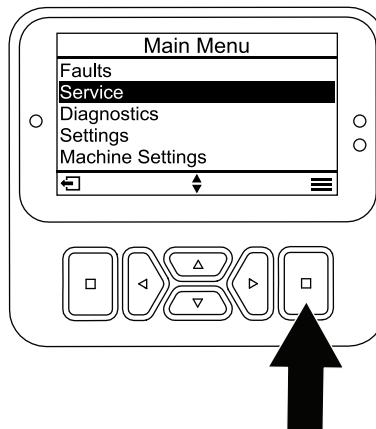


Figure 32

g483678

### Time Since Last Regeneration

- Access the DPF REGENERATION menu, and scroll to LAST REGEN.
- Select the LAST REGEN entry.

3. Use the LAST REGEN field to determine how many hours you have run the engine since the last reset, parked, or recovery regeneration.
4. Select the back button to return to the DPF REGENERATION screen.

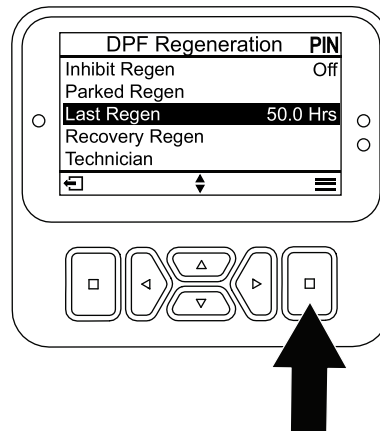


Figure 33

g483679

## Setting the Inhibit Regen

### Reset Regeneration Only

A reset regeneration produces elevated engine exhaust. If you are operating the machine around trees, brush, tall grass, or other temperature-sensitive plants or materials, you can use the INHIBIT REGEN setting to prevent the engine computer from performing a reset regeneration.

**Note:** The INHIBIT REGEN option is always used when maintenance is being performed on the machine in an enclosed area.

**Note:** If you set the InfoCenter to inhibit regeneration, the InfoCenter displays an advisory every 15 minutes while the engine requests a reset regeneration.

**Important:** When you shut off the engine and start it again, the inhibit regen setting defaults to OFF.

1. Access the DPF REGENERATION menu, and scroll down to INHIBIT REGEN.
2. Select the Inhibit REGEN entry.
3. Change the inhibit regeneration setting from OFF to ON.

## Preparing to Perform a Parked or Recovery Regeneration

1. Ensure that the machine has fuel in the tank for the type of regeneration you are performing:
  - **Parked Regeneration:** Ensure that you have 1/4 tank of fuel before performing the parked regeneration.
  - **Recovery Regeneration:** Ensure that you have 1/2 tank of fuel before performing the recovery regeneration.
2. Move the machine outside to an area away from combustible materials or items that may be damaged by heat.
3. Park the machine on a level surface, move all controls to NEUTRAL, disengage the PTO, and lower the cutting units.
4. Engage the parking brake and allow the engine to reach low idle speed.

## Performing a Parked or Recovery Regeneration

When a parked regeneration is requested by the engine computer, follow the messages on the InfoCenter.

**Important:** The computer of the machine cancels DPF regeneration if you increase the engine speed from low idle or release the parking brake.

1. Access the DPF REGENERATION menu, and scroll down to PARKED REGEN or RECOVERY REGEN.

2. Select the PARKED REGEN entry or the RECOVERY REGEN entry.

**Note:** Initiating a recovery regeneration requires you to enter the correct PIN code.


3. At the REGEN PARAMETERS screen, verify that you have 1/4 tank of fuel if you are performing the parked regeneration or 1/2 tank of fuel if you are performing the recovery regeneration. Verify that the parking brake is engaged and the engine speed is set to low idle. Press the select button to continue.

4. At the INITIATE DPF REGEN screen, select the next button to continue.

5. The InfoCenter displays the INITIATE DPF REGEN message.

**Note:** If needed, press the cancel icon to cancel the regeneration process.

6. The InfoCenter displays the time to complete message.

7. The InfoCenter displays the home screen and the regeneration acknowledge icon appears  ACK.

**Note:** While the DPF regeneration runs, the InfoCenter displays the high exhaust-temperature icon .

8. When the engine computer completes a parked or recovery regeneration, the InfoCenter displays an advisory. Press any button to exit to the home screen.

**Note:** If the regeneration fails to complete, follow the advisory and press any button to exit to the home screen.

## Canceling a Parked or Recovery Regeneration

Use the PARKED REGEN CANCEL or RECOVERY REGEN CANCEL setting to cancel a running parked or recovery regeneration process.

1. Access the DPF REGENERATION menu, scroll to PARKED REGEN or RECOVERY REGEN.
2. Press the select button to cancel a Parked Regen or Recovery Regen.

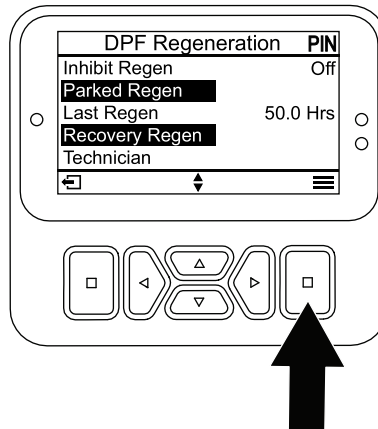


Figure 34

g483825

# Understanding the Operating Characteristics of the Machine

Practice driving the machine, as it has a hydrostatic transmission, and its characteristics may differ from other turf-maintenance machines.

With Toro Smart Power™, you do not have to listen to the engine speed in heavy load conditions. Smart Power prevents the engine from bogging down in heavy cutting conditions by automatically controlling the machine speed and optimizing cutting performance.

If Toro Smart Power™ is disabled, you must regulate the traction pedal to keep the engine speed (rpm) high and constant. This must be performed so that enough power is maintained for the traction unit and implement while operating. Decrease the ground speed as the load on the implement increases, and increase the ground speed as the load decreases.

Allow the traction pedal to move backward as the engine speed (rpm) decreases, and press the pedal slowly as the engine speed increases. By comparison, when driving between work areas, with no load and the cutting unit raised, set the throttle in the highest position and press the traction pedal slowly, but fully, to attain maximum ground speed.

Before stopping the engine, disengage all controls and decrease the engine speed to LOW IDLE (1,000 rpm). Turn the ignition key to the OFF position to shut off the engine.

Before transporting the machine, raise the cutting units and secure the transport latches on the wing cutting unit (Figure 35).

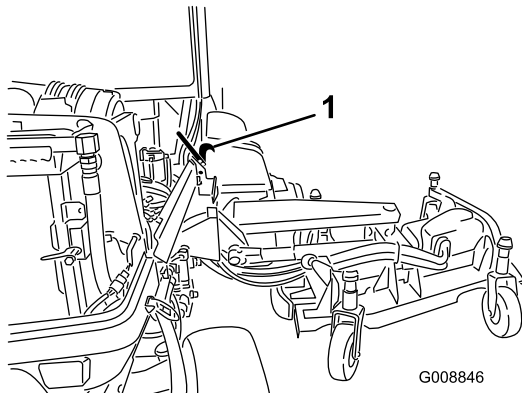


Figure 35

1. Transport latch

# Understanding the 12 V and 24 V Electrical Systems

This machine is designed with 2 voltage systems: 12 V and 24 V.

The 12 V system powers all functions of the machine, except for the engine-cooling fans and hydraulic-cooling fans. The 2 large 12 V batteries at the rear, right corner of the machine are connected in parallel to provide 12 V nominal. The 12 V engine alternator charges these batteries.

The 24 V system powers the engine-cooling fans and hydraulic-cooling fans. The 2 small 12 V batteries at the rear, left corner of the machine are connected in series to provide 24 V nominal. The 24 V alternator charges these batteries.

The battery-disconnect switch is located at the rear, right side of the machine. This switch can be used to disconnect power from the batteries during service or maintenance procedures.

# Automatic-Reversing Fan Cycle

The hydraulic-fan speed is controlled by hydraulic-fluid temperature. The radiator-fan speed is controlled by the engine-coolant temperature. A reverse cycle automatically initiates both fans when either the engine coolant or hydraulic-fluid temperature reaches a certain point. This reversal blows debris off the screens, lowering the engine and hydraulic-fluid temperatures (Figure 36). Additionally, the radiator fans perform a reverse cycle every 21 minutes regardless of the coolant temperature.

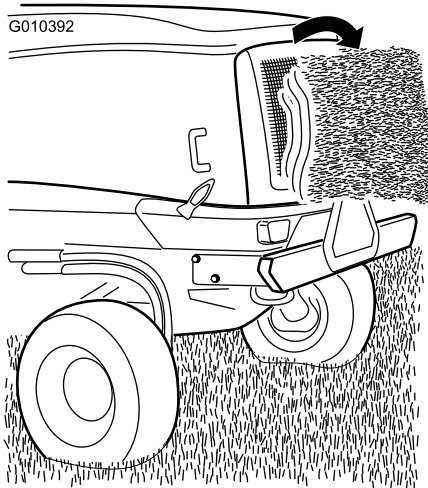


Figure 36

## Operating Tips

### Operating the Machine

- Start the engine and run it at the HALF IDLE position until it warms up. Move the engine-speed switch to HIGH IDLE, lift the cutting units, disengage the parking brake, press the forward traction pedal, and carefully drive to an open area.
- Practice moving forward and reverse, and starting and stopping the machine. To stop the machine, remove your foot from the traction pedal and let it return to NEUTRAL or press down on the reverse pedal.

**Note:** When going downhill in the machine, you may need to use the reverse pedal to stop.

- Practice driving around obstacles with the cutting units up and down. Be careful when driving between narrow objects so that you do not damage the machine or cutting units.
- Always drive slowly in rough areas.

- If an obstacle is in the way, lift the cutting units to mow around it.
- When transporting the machine from 1 work area to another, shut off the PTO, raise the cutting units to the fully upward position, press the mow/transport switch to the TRANSPORT position, engage the transport latches, and place the throttle in the FAST position.

## Changing Mowing Patterns

Change mowing patterns often to minimize a poor after-cut appearance from repeatedly mowing in the same direction.

## Understanding Counterbalance

The counterbalance system maintains hydraulic back pressure on the cutting unit lift cylinders. This pressure improves traction by transferring the cutting unit weight to the mower-drive wheels. The counterbalance pressure has been set at the factory to an optimal balance of after-cut appearance and traction capability in most turf conditions.

Decreasing the counterbalance setting can produce a more stable cutting unit, but can decrease the traction capability. Increasing the counterbalance setting can increase the traction capability, but may result in a poor after-cut appearance. Refer to the machine *Service Manual* for your traction unit for instructions to adjust the counterbalance pressure.

## Resolving After-Cut Appearance

Refer to the *After-cut Appearance Troubleshooting Guide* available at [www.Toro.com](http://www.Toro.com).

## Using Proper Mowing Techniques

- To begin cutting, engage the cutting units, then approach the mowing area slowly.
- To achieve the professional straight-line cut and striping that is desirable for some applications, find a tree or other object in the distance and drive straight toward it.
- As soon as the front cutting units reach the edge of the mowing area, perform a teardrop-shaped turn to quickly line up for your next pass.
- Bolt-in mulching baffles are available for the cutting units. The mulching baffles perform well when you maintain turf on a regular schedule to avoid removing more than 25 mm (1 inch) of growth per cutting. When you cut too much growth with the mulching baffles installed, the after-cut

appearance may deteriorate and the observed power to cut the turf increases. The mulching baffles also perform well for shredding leaves in the fall.

## After Operation

### After Operation Safety

#### General Safety

- Shut off the engine, remove the key, and wait for all movement to stop before you leave the operator's position. Allow the machine to cool before adjusting, servicing, cleaning, or storing it.
- To help prevent fires, ensure that the cutting units, drives, mufflers, cooling screens, and engine compartment are free from grass and debris buildup. Clean up oil or fuel spills.
- If the cutting units are in the transport position, use the positive mechanical lock (if available) before you leave the machine unattended.
- Allow the engine to cool before storing the machine in any enclosure.
- Remove the key and shut off the fuel (if equipped) before storing or hauling the machine.
- Never store the machine or fuel container where there is an open flame, spark, or pilot light, such as on a water heater or on other appliances.
- Maintain and clean the seat belt(s) as necessary

### Understanding the Audible Alarm

**Note:** This alarm is a reminder to prevent the battery from being discharged.

An audible alarm sounds when the following conditions occur:

- The engine is shut off.
- The key is in the run position.
- The operator is out of the seat.

### Selecting the Proper Height-of-Cut Setting

Remove approximately one-third of the grass blade when mowing. In exceptionally lush and dense grass, you may need to raise the height-of-cut to the next setting (Figure 37).

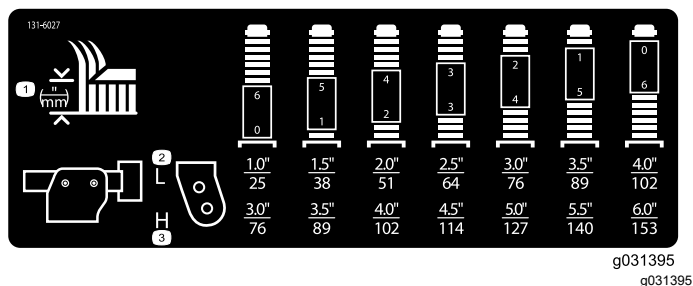


Figure 37

### Adjusting the Mower-Deck Pitch

Mower-deck pitch is the difference in height-of-cut from the front of the blade plane to the back of the blade plane. Use a blade pitch of 7.6 mm (0.3 inch). A pitch larger than 7.6 mm (0.3 inch) results in less power required, larger clippings, and a poorer quality of cut. A pitch less than 7.6 mm (0.3 inch) results in more power required, smaller clippings, and a better quality of cut.

### Maximizing the Air Conditioner Performance

- To limit solar heating, park the machine in a shaded area or leave the doors open in direct sun.
- Ensure that the air-conditioning screen is clean.
- Ensure that the air-conditioning-condenser fins are clean.
- Operate the air-conditioner blower at the mid-speed setting.
- Ensure that there is a continuous seal between the roof and the headliner and correct it as needed.
- Measure the air temperature at the front, center vent in the headliner. This should typically stabilize at less than or equal to 10°C (50°F).
- Refer to the *Service Manual* for additional information.

# Pushing or Towing the Machine

**Important:** Do not push or tow the machine faster than 3 to 4.8 km/h (2 to 3 mph). If you push or tow at a faster speed, internal transmission damage may occur.

The bypass valves must be open whenever you push or tow the machine.

1. Raise the hood and locate the bypass valves on the pump.

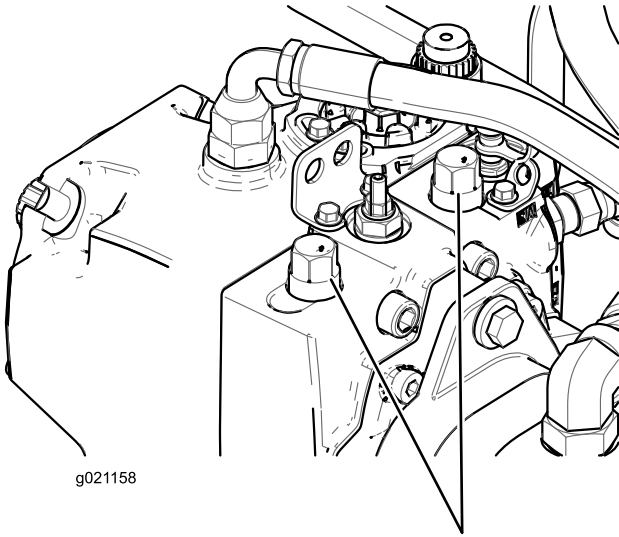


Figure 38

1. Bypass valve (2)
- 
2. Loosen both tow valves on the hydrostatic transmission.
  3. Rotate each valve 3 turns counter-clockwise to open the valve and allow the fluid to bypass internally.
  4. Manually release the automatic parking brake using the bypass valve and plunger as shown in [Figure 39](#).

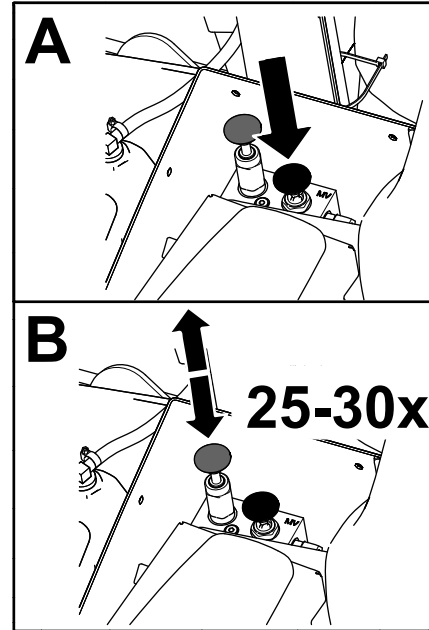
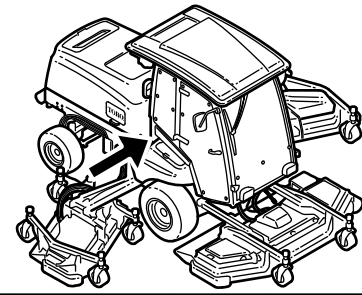


Figure 39

5. Push or tow the machine.
6. Finish pushing or towing the machine and close the bypass valve. Torque the valve to 70 N·m (52 ft-lb).

**Note:** The manual parking-brake release automatically resets when you start the engine or pull the bypass-valve knob up.

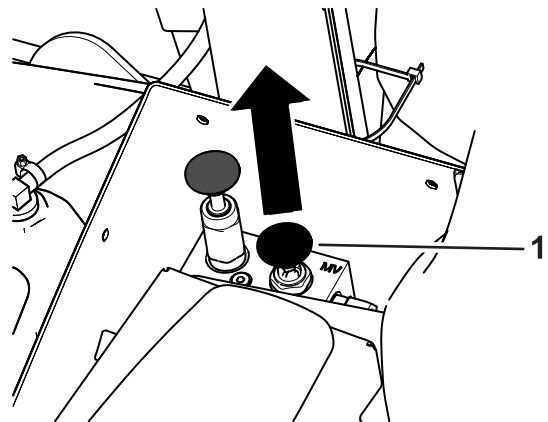
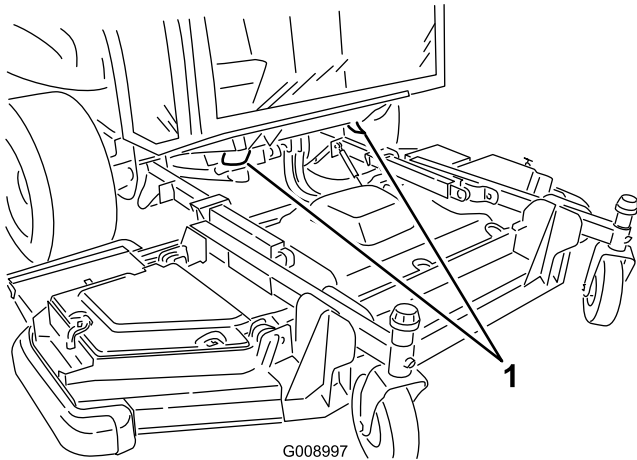


Figure 40

1. Bypass-valve knob

# Identifying the Tie-Down Points

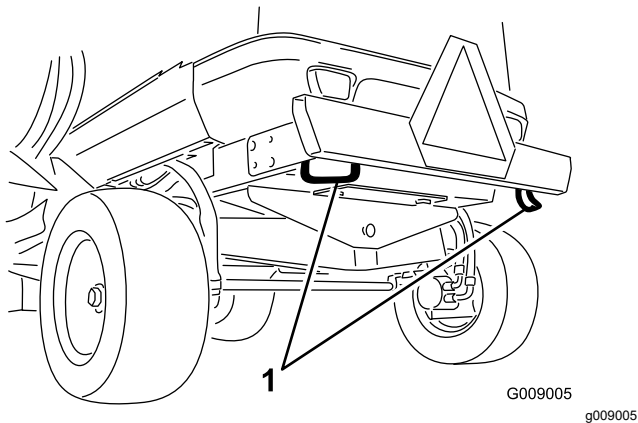
**Front of the machine**—under the front of the operator's platform (Figure 41)



**Figure 41**

1. Front tie downs
- 

**Rear of the machine**—on the bumper (Figure 42)



**Figure 42**

1. Rear tie downs
- 

## Hauling the Machine

- Remove the key and shut off the fuel (if equipped) before storing or hauling the machine.
- Use care when loading or unloading the machine into a trailer or a truck.
- Use full-width ramps for loading the machine into a trailer or a truck.
- Tie the machine down securely.

# Maintenance

**Note:** Determine the left and right sides of the machine from the normal operating position.

**Important:** Refer to your engine owner's manual for additional maintenance procedures.

**Important:** If you are performing maintenance on the machine and run the engine with an engine exhaust-extraction duct, set the inhibit regen setting to ON; refer to [Setting the Inhibit Regen \(page 42\)](#).

## Maintenance Safety

- Before you leave the operator's position, do the following:
  - Park the machine on a level surface.
  - Disengage the power takeoff and lower the attachments.
  - Engage the parking brake.
  - Shut off the engine and remove the key.
  - Wait for all movement to stop.
- Wear appropriate clothing, including eye-protection; long pants and substantial, slip-resistant footwear. Keep hands, feet, clothing, jewelry, and long hair away from moving parts.
- If you leave the key in the switch, someone could accidentally start the engine and seriously injure you or other bystanders. Remove the key from the switch before you perform any maintenance.
- Allow machine components to cool before performing maintenance.
- If the cutting units are in the transport position, use the positive mechanical lock (if equipped) before you leave the machine unattended.
- If possible, do not perform maintenance while the engine is running. Keep away from moving parts.
- Operate the engine only in well-ventilated areas. Exhaust gases contain carbon monoxide, which is lethal if inhaled.
- Support the machine with jack stands whenever you work under the machine.
- Carefully release pressure from components with stored energy.
- Keep all parts of the machine in good working condition and all hardware tightened, especially blade-attachment hardware.
- Replace all worn or damaged decals.
- To ensure safe, optimal performance of the machine, use only genuine Toro replacement parts. Replacement parts made by other manufacturers could be dangerous, and such use could void the product warranty.

## Recommended Maintenance Schedule(s)

Maintenance Service Interval	Maintenance Procedure
After the first 10 hours	<ul style="list-style-type: none"> <li>• Check the wheel-lug nuts.</li> <li>• Check the 24 V alternator belt and AC compressor belt.</li> <li>• Check the blade-bolt torque.</li> </ul>
After the first 50 hours	<ul style="list-style-type: none"> <li>• Check the 12 V alternator belt.</li> </ul>
Before each use or daily	<ul style="list-style-type: none"> <li>• Check the tire pressure.</li> <li>• Check the blade stopping time.</li> <li>• Check the engine-oil level.</li> <li>• Drain water or other contaminants from the fuel/water separator.</li> <li>• Check the engine-coolant level in the overflow reservoir.</li> <li>• Remove debris from the hydraulic-fluid-cooler core and the radiator core with compressed air.</li> <li>• Check the hydraulic-fluid level.</li> <li>• Check the condition of the mower blade.</li> <li>• Check the safety-interlock system.</li> <li>• Clean the machine.</li> <li>• Maintain and clean the seat belt.</li> </ul>

<b>Maintenance Service Interval</b>	<b>Maintenance Procedure</b>
Every 50 hours	<ul style="list-style-type: none"> <li>• Lubricate all grease fittings.</li> <li>• Remove the air-cleaner cover and clean out the debris. Do not remove the filter.</li> <li>• Check the battery condition.</li> <li>• Inspect the blade-drive belts.</li> <li>• Check the blade-bolt torque.</li> <li>• Remove all debris and chaff from the engine compartment, radiator, and oil cooler.</li> </ul>
Every 100 hours	<ul style="list-style-type: none"> <li>• Inspect the cooling-system hoses.</li> </ul>
Every 250 hours	<ul style="list-style-type: none"> <li>• Check the wheel-lug nuts.</li> <li>• Check and clean the air-cleaner filter elements. Replace if damaged.</li> <li>• Check the whole air-intake system for leaks, damage, or loose hose clamps.</li> <li>• Check the 12 V alternator-belt tension.</li> <li>• Clean the cab air filters; replace them if they are torn or excessively dirty.</li> <li>• Clean the air-conditioning assembly (more frequently in extremely dusty or dirty conditions).</li> </ul>
Every 400 hours	<ul style="list-style-type: none"> <li>• Replace the fuel/water separator filter.</li> <li>• Inspect the fuel lines and connections.</li> </ul>
Every 500 hours	<ul style="list-style-type: none"> <li>• Replace the air-cleaner filter elements.</li> <li>• Change the engine oil and engine-oil filter.</li> <li>• Replace the fuel-filter element.</li> <li>• Inspect the cutting unit caster-wheel assemblies.</li> </ul>
Every 800 hours	<ul style="list-style-type: none"> <li>• Drain and clean the fuel tank.</li> <li>• If you are not using the recommended hydraulic fluid or have ever filled the reservoir with an alternative fluid, change the hydraulic fluid.</li> <li>• If you are not using the recommended hydraulic fluid or have ever filled the reservoir with an alternative fluid, replace the hydraulic filter (sooner if the service interval indicator is in the red zone).</li> </ul>
Every 1,000 hours	<ul style="list-style-type: none"> <li>• Check and adjust the intake and exhaust valve clearance.</li> <li>• Calibrate the traction pedal.</li> <li>• Check the rear wheel toe-in.</li> <li>• Check the 24 V alternator belt and AC compressor-belt tension.</li> <li>• Replace the blade-drive belts.</li> <li>• If you are using the recommended hydraulic fluid, replace the hydraulic filter (sooner if the service interval indicator is in the red zone).</li> </ul>
Every 1,500 hours	<ul style="list-style-type: none"> <li>• Clean the engine EGR cooler.</li> <li>• Inspect the engine crankcase-breather system.</li> </ul>
Every 2,000 hours	<ul style="list-style-type: none"> <li>• Check and replace fuel hoses and engine-coolant hoses.</li> <li>• Lap or adjust the engine intake and exhaust valves (if necessary).</li> <li>• Flush the engine-cooling system and replace the fluid.</li> <li>• If you are using the recommended hydraulic fluid, change the hydraulic fluid.</li> </ul>
Every 3,000 hours	<ul style="list-style-type: none"> <li>• Inspect and clean (if necessary) the engine-emission-control components and turbocharger.</li> <li>• Disassemble, clean, and assemble the soot filter of the DPF. or clean the soot filter if engine faults SPN 3720 FMI 16 or SPN 3720 FMI 0 display in the InfoCenter.</li> </ul>
Before storage	<ul style="list-style-type: none"> <li>• Drain and clean the fuel tank.</li> </ul>
Every 2 years	<ul style="list-style-type: none"> <li>• Drain and flush the hydraulic tank.</li> <li>• Replace moving hoses.</li> </ul>

# Daily Maintenance Checklist

Duplicate this page for routine use.

Maintenance Check Item	For the week of:						
	Monday	Tuesday	Wednesday	Thursday	Friday	Saturday	Sunday
Check the safety-interlock operation.							
Check the brake operation.							
Check the engine-oil level.							
Check the cooling-system-fluid level.							
Drain the water/fuel separator.							
Check the air filter, dust cup, and burp valve.							
Check for unusual engine noises. <sup>1</sup>							
Check the radiator and hydraulic-oil-cooler screens for debris and blow out with compressed air.							
Check for unusual operating noises.							
Check the hydraulic-system-fluid level.							
Check the hydraulic hoses for damage.							
Check for fluid leaks.							
Check the fuel level.							
Check the tire and caster pressure.							
Check the instrument operation.							
Check the height-of-cut adjustment.							
Lubricate all of the grease fittings. <sup>2</sup>							
Clean the machine.							
Touch up any damaged paint.							

<sup>1</sup>Check the glow plug, injector nozzles and engine air filters if starting is hard, there is excess smoke, or rough running is noted.

<sup>2</sup>Immediately **after every** washing, regardless of the interval listed.

## Notation for Areas of Concern

Inspection performed by:		
Item	Date	Information

# Pre-Maintenance Procedures

## Using the Battery-Disconnect Switch

Open the hood to access the battery-disconnect switch.

Turn the battery-disconnect switch to the ON or OFF position to perform the following:

- To energize the machine electrically, rotate the battery-disconnect switch clockwise to the ON position (Figure 43).
- To de-energize the machine electrically, rotate the battery-disconnect switch counterclockwise to the OFF position (Figure 43).

**Important:** Do not turn the battery-disconnect switch to the OFF position while the engine is running. Ensure that the machine is shut off before turning the battery-disconnect switch to the OFF position, as you may cause damage to the engine and/or machine.

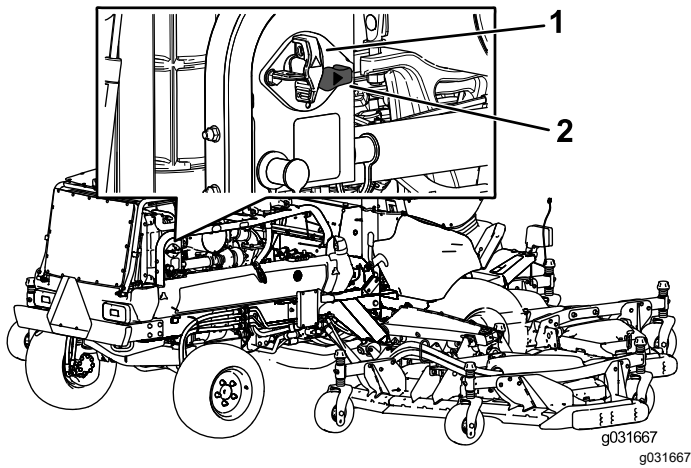


Figure 43

1. Battery-disconnect switch (OFF position)
2. Battery-disconnect switch (ON position)

## Raising the Machine

Use the following as points to jack up the machine:

**Front of the machine**—on the frame, on the inside of each drive tire (Figure 44)

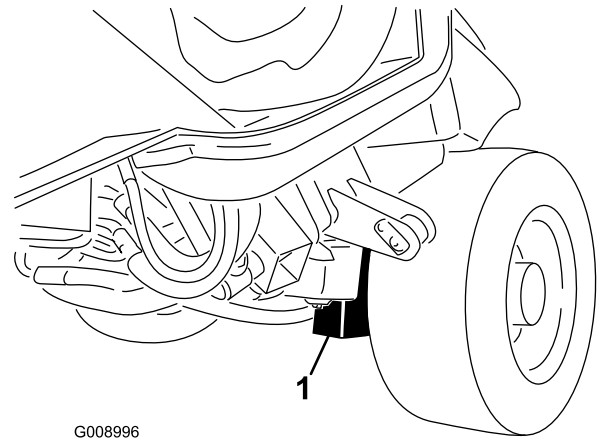


Figure 44

1. Front jacking point (2)

**Rear of the machine**—at the center of the axle (Figure 45)

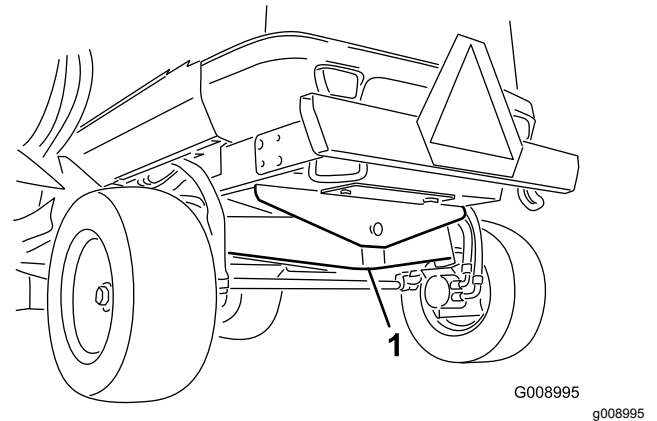


Figure 45

1. Rear jacking point

# Removing and Installing the Inner-Wing-Deck Covers

## Removing the Inner-Wing-Deck Covers

1. Lower the wing deck onto a level surface.
2. Disengage the cover latch.
3. Remove the bolt securing the belt cover (if equipped).
4. Lift the rear and inside cover edges off the mounting posts (Figure 46).

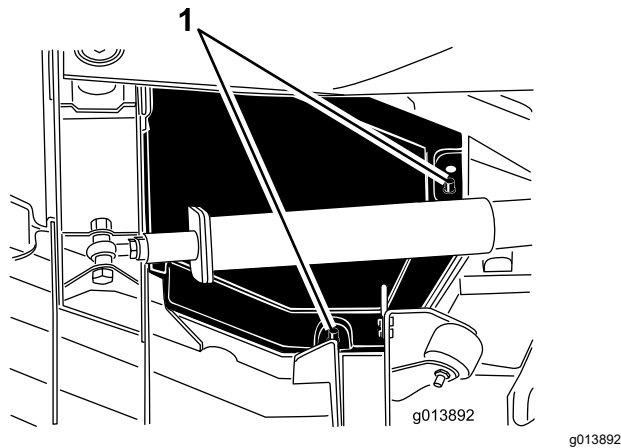


Figure 46

1. Mounting posts

5. While lifting the cover, slide it toward the traction unit approximately 2.5 cm (1 inch) to disengage the outer-cover edge from the deck (Figure 47).

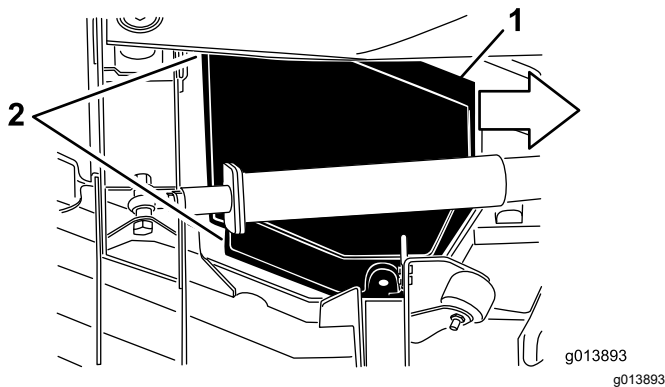


Figure 47

1. Slide the cover inward approximately 2.5 cm (1 inch).
2. Disengage these cover edges.

6. Lift the front edge and guide it between the lift arm and the roller to remove it (Figure 48).

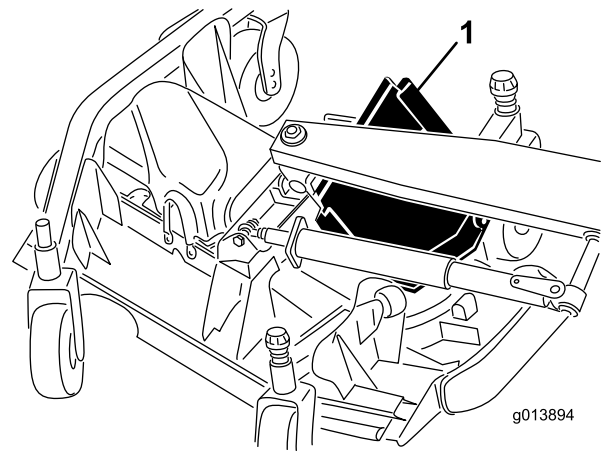


Figure 48

1. Slide the cover out between the lift arm and roller.

## Installing the Inner-Wing-Deck Covers

1. Lower the wing deck onto a level surface.
2. Slide the cover into position by guiding the rear edge between the lift arm and the roller.
3. While sliding the cover away from the traction unit, guide the outside edge under the front and rear brackets on the deck.
4. Align the deck mounting posts with the holes in the cover and lower the cover into position.
5. Install the bolt securing the belt cover (if equipped).
6. Engage the deck-cover latch.

# Lubrication

## Greasing the Bearings and Bushings

**Service Interval:** Every 50 hours—Lubricate all grease fittings.

The machine has grease fittings that you must lubricate regularly with No. 2 lithium grease. Also, lubricate the machine immediately after every washing.

## Traction Unit

- 2 impact arms (Figure 49)
- 2 front deck-lift-cylinder pivots (Figure 49)
- 2 side deck-lift-cylinder pivots (Figure 49)
- 4 steering-cylinder-ball joints (Figure 50)
- 2 tie-rod-ball joints (Figure 50)
- 2 king-pin bushings (Figure 50)
- 1 rear axle-pivot bushing (Figure 51)

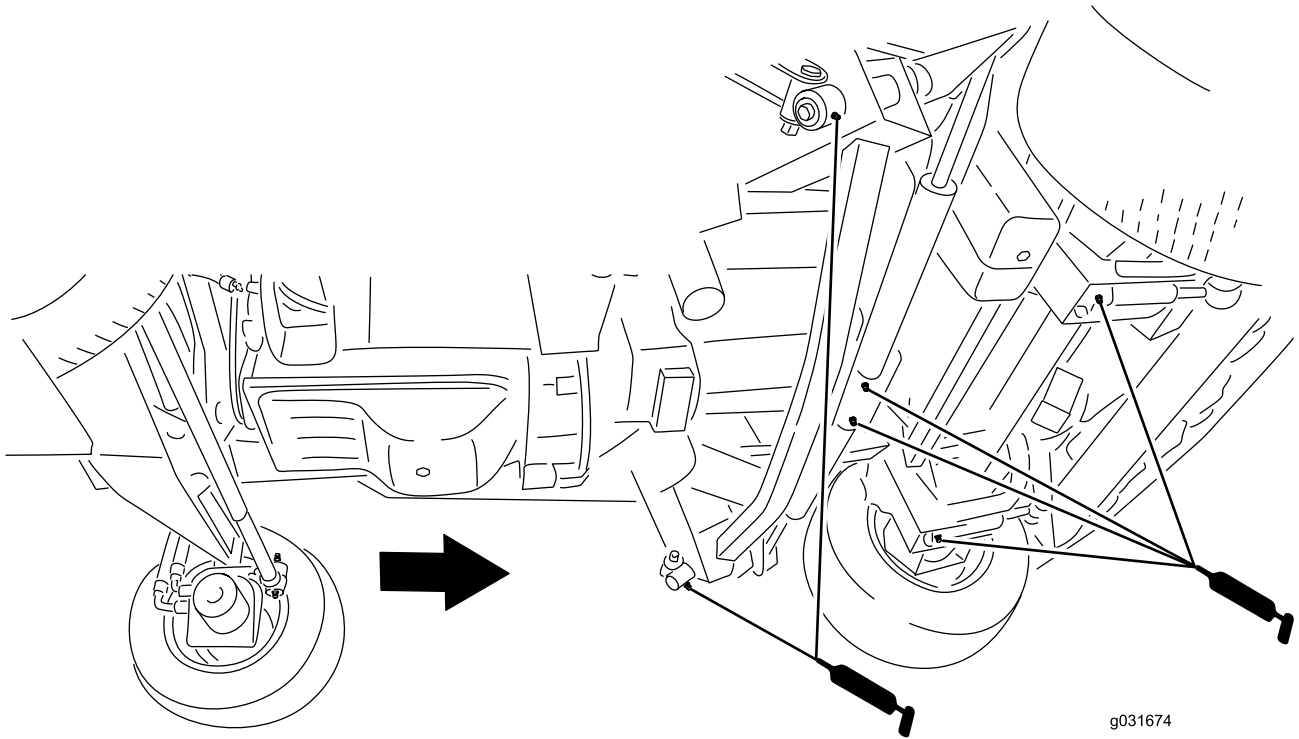


Figure 49

g031674

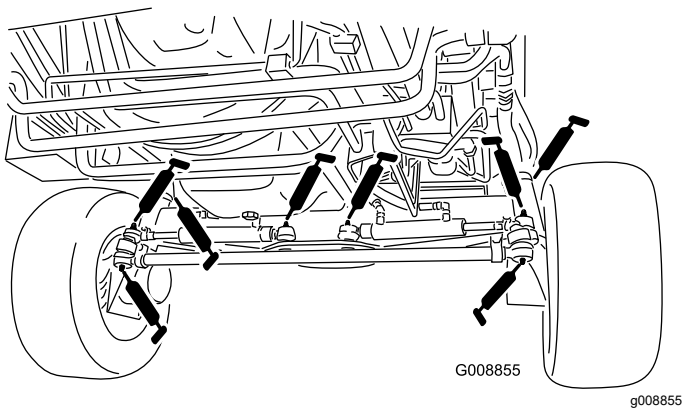


Figure 50

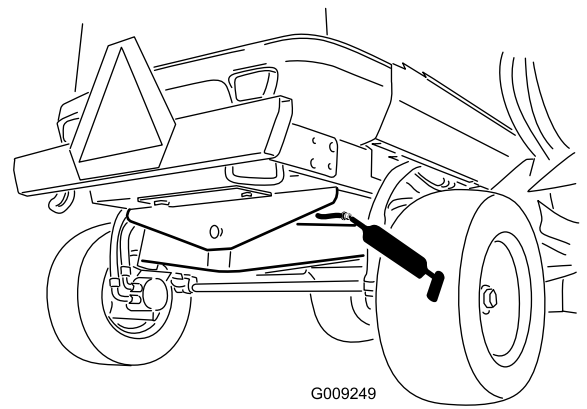


Figure 51

## Front Cutting Unit

- 2 caster-fork-shaft bushings (Figure 52)
- 5 spindle-shaft bearings (located on the spindle housing) as shown in Figure 52
- 3 idler-arm-pivot bushings (located on the idler-pivot shaft) as shown in Figure 52
- 4 winglet-deck bushings (located on the winglet-pivot pins) as shown in Figure 52

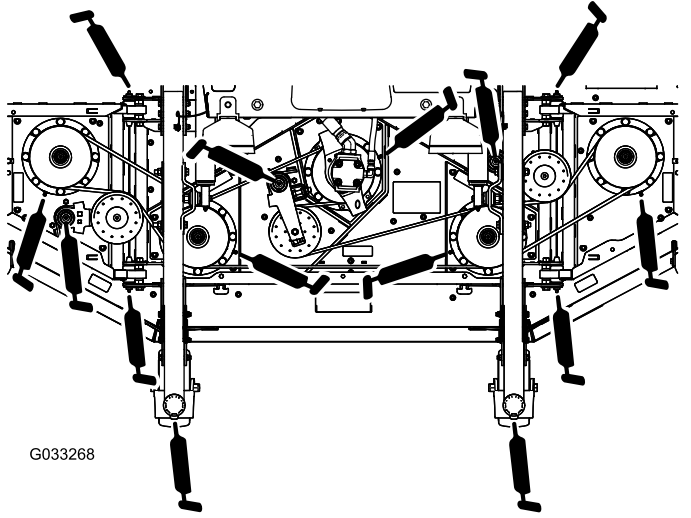


Figure 52

- 3 spindle-shaft bearings (located on the spindle housing) as shown in Figure 54
- 2 idler-arm-pivot bushings (located on the idler-pivot shaft) as shown in Figure 54

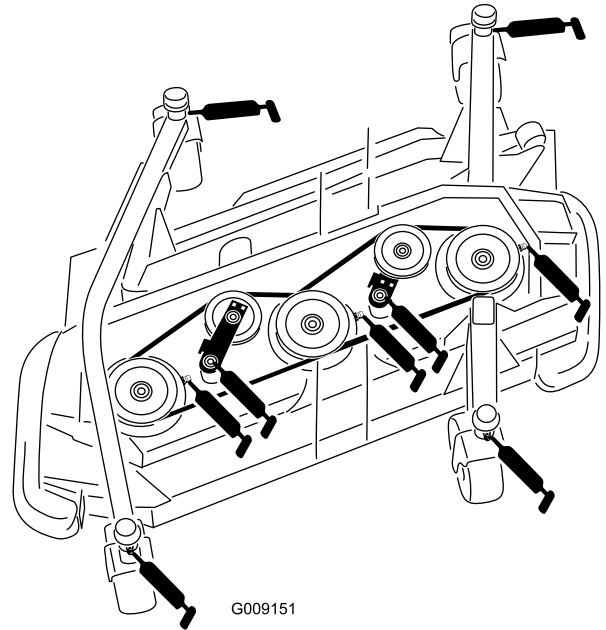


Figure 54

## Front Lift Assemblies

- 2 lift-arm bushings (Figure 53)
- 2 lift-arm-ball joints (Figure 53)
- 2 front deck lift-cylinder pivots (Figure 53)

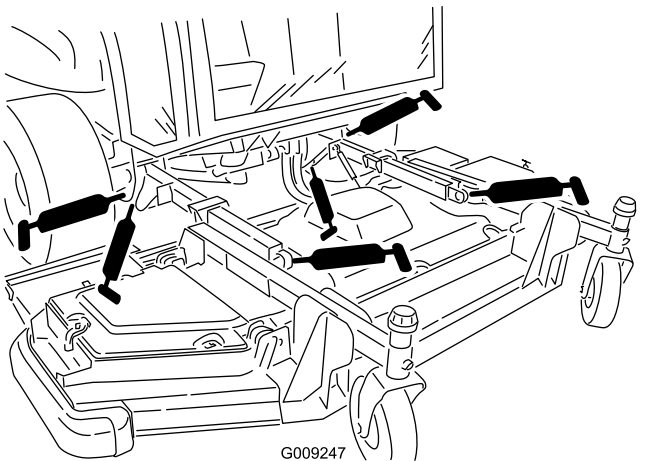


Figure 53

## Wing Lift Assemblies (Per Wing)

- 3 main lift-arm bushings (Figure 55)
- 1 lift-cylinder bushing (Figure 55)

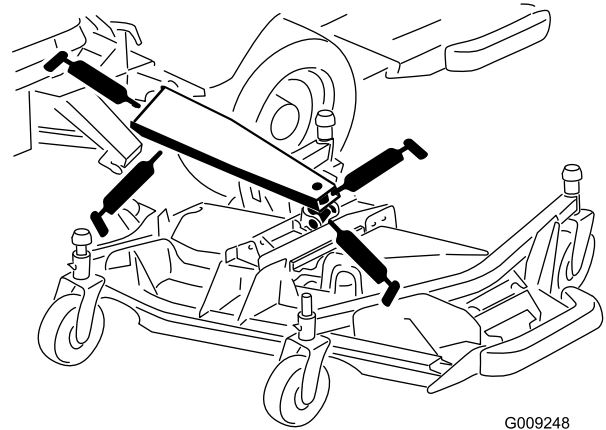


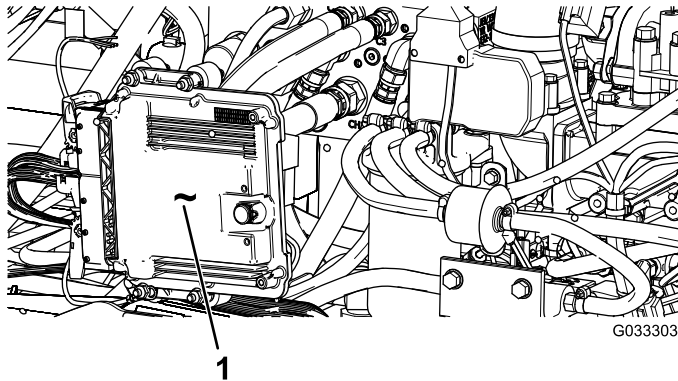
Figure 55

## Wing Cutting Units (Each Wing)

- 4 caster-fork-shaft bushing (Figure 54)

# Engine Maintenance

**Important:** Do not directly contact the engine-control unit (ECU) or electrical connectors with water, as this may cause damage; refer to **Figure 56** for the ECU and electrical connections location.



**Figure 56**

Located on the left side of the machine under the hood

1. Engine-control unit (ECU)

## Engine Safety

- Shut off the engine and remove the key before checking the oil or adding oil to the crankcase.
- Do not change the governor speed or overspeed the engine.

## Servicing the Air Cleaner

Check the air-cleaner body for damage that could cause an air leak and replace it if it is damaged. Check the entire intake system for leaks, damage, or loose hose clamps. Also, inspect the rubber intake-hose connections at the air cleaner and turbocharger to ensure that the connections are complete.

Service the air-cleaner filter only when the “Check Air Filter” message is displayed on the InfoCenter . Changing the air filter before it is necessary only increases the chance of dirt entering the engine when you remove the filter.

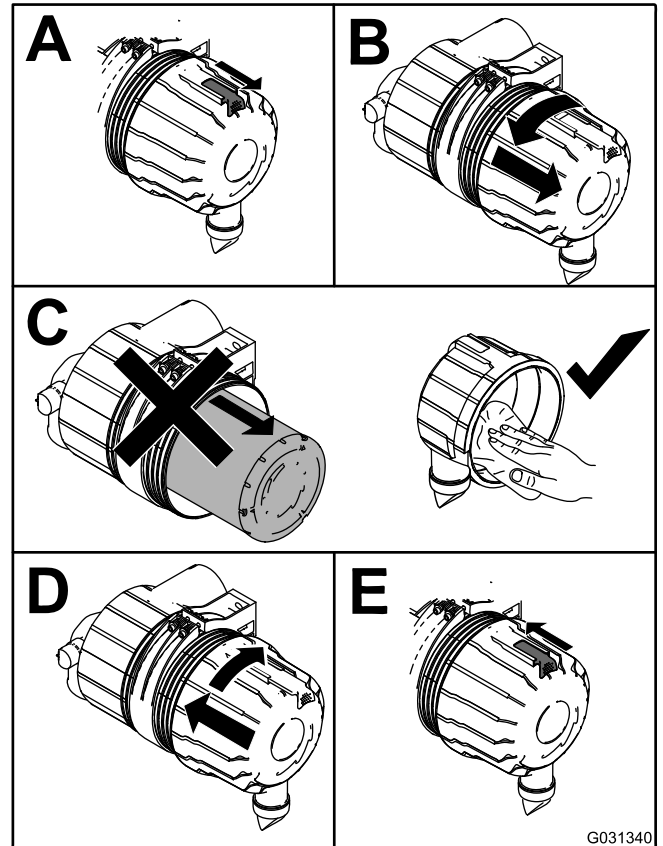
Ensure that the cover is seated correctly and seals with the air-cleaner body.

## Servicing the Air-Cleaner Cover

**Service Interval:** Every 50 hours—Remove the air-cleaner cover and clean out the debris. Do not remove the filter.

Check the air-cleaner body for damage which could cause an air leak. Replace a damaged air cleaner body.

Clean the air-cleaner cover (**Figure 57**).



**Figure 57**

## Servicing the Air-Cleaner Filter Elements

**Service Interval:** Every 250 hours—Check and clean the air-cleaner filter elements. Replace if damaged.

Every 250 hours—Check the whole air-intake system for leaks, damage, or loose hose clamps.

Every 500 hours—Replace the air-cleaner filter elements.

The air-intake system on this machine is continuously monitored by an air-restriction sensor that will displays an advisory when you need to replace the filter. Do not replace the elements until this occurs.

**Important:** Replace the secondary filter element only every 3 primary filter services. Do not remove the secondary element when cleaning or replacing the primary element. The inner element prevents dust from entering the engine when you service the primary element.

**Important:** Do not operate the engine without the air-cleaner elements as this would allow foreign material to enter the engine and damage it.

1. Release the latches securing the air-cleaner cover to the air-cleaner body (Figure 58).

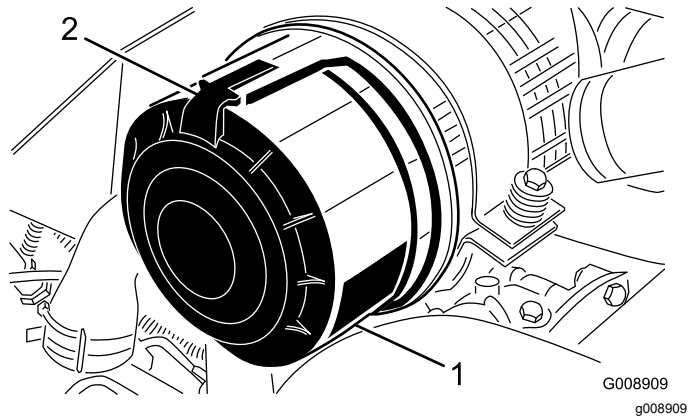


Figure 58

1. Air-cleaner cover
2. Air-cleaner latch

2. Remove the cover from the air-cleaner body.
3. Before removing the filter, use low-pressure air (275 kPa or 40 psi, clean and dry) to help remove large accumulations of debris packed between the outside of the primary filter and the canister.

**Note:** Avoid using high-pressure air that could force dirt through the filter into the intake. This cleaning process prevents debris from migrating into the intake when the primary filter is removed.

4. Remove the primary filter (Figure 59).

**Note:** Do not clean the used element due to the possibility of damage to the filter media.

**Note:** Replace the secondary filter every 3 primary filter services (Figure 60).

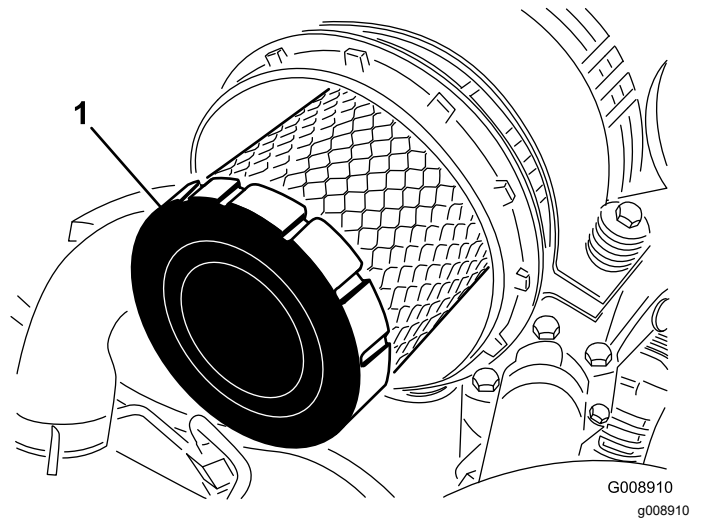


Figure 59

1. Primary filter

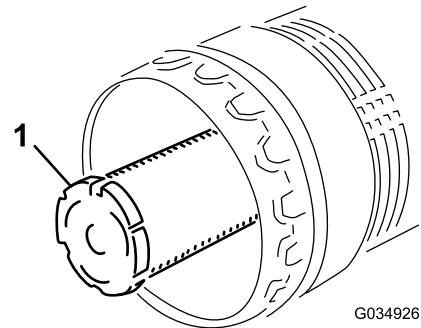


Figure 60

1. Secondary filter

5. Inspect the new filter for shipping damage, checking the sealing end of the filter and the body.
6. Insert the new filter by applying pressure to the outer rim of the element to seat it in the canister.

**Important:** Do not use a damaged element.

**Important:** Do not apply pressure to the flexible center of the filter, as this may damage the filter.

7. Clean the dirt-ejection port located in the removable cover.
8. Remove the rubber outlet valve from the cover, clean the cavity, and replace the outlet valve.
9. Install the cover orienting the rubber outlet valve in a downward position—approximately between the 5 o'clock and 7 o'clock position when viewed from the end.
10. Secure the cover latches.

# Servicing the Engine Oil

## Oil Specification

Use high-quality, low-ash engine oil that meets or exceeds the following specifications:

- API service category CJ-4 or higher
- ACEA service category E6
- JASO service category DH-2

**Important:** Using engine oil other than API CJ-4 or higher, ACEA E6, or JASO DH-2 may cause the diesel particulate filter to plug or cause engine damage.

Use the following engine oil viscosity grade:

- Preferred oil: SAE 15W-40 (above 0°F)
- Alternate oil: SAE 10W-30 or 5W-30 (all temperatures)

Toro Premium Engine Oil is available from your authorized Toro distributor in either 15W-40 or 10W-30 viscosity grades. See the *Parts Catalog* for part numbers.

## Checking the Engine-Oil Level

**Service Interval:** Before each use or daily

The engine is shipped with oil in the crankcase; however, the oil level must be checked before and after the engine is first started.

**Important:** Check the engine oil daily. If the engine-oil level is above the Full mark on the dipstick, the engine oil may be diluted with fuel; if the engine oil level is above the Full mark, change the engine oil.

The best time to check the engine oil is when the engine is cool before it has been started for the day. If it has already been run, allow the oil to drain back down to the sump for at least 10 minutes before checking. If the oil level is at or below the Add mark on the dipstick, add oil to bring the oil level to the Full mark. **Do not overfill the engine with oil.**

**Important:** Keep the engine-oil level between the upper and lower limits on the dipstick; the engine may fail if you run it with too much or too little oil.

Check the engine-oil level; refer to [Figure 61](#).

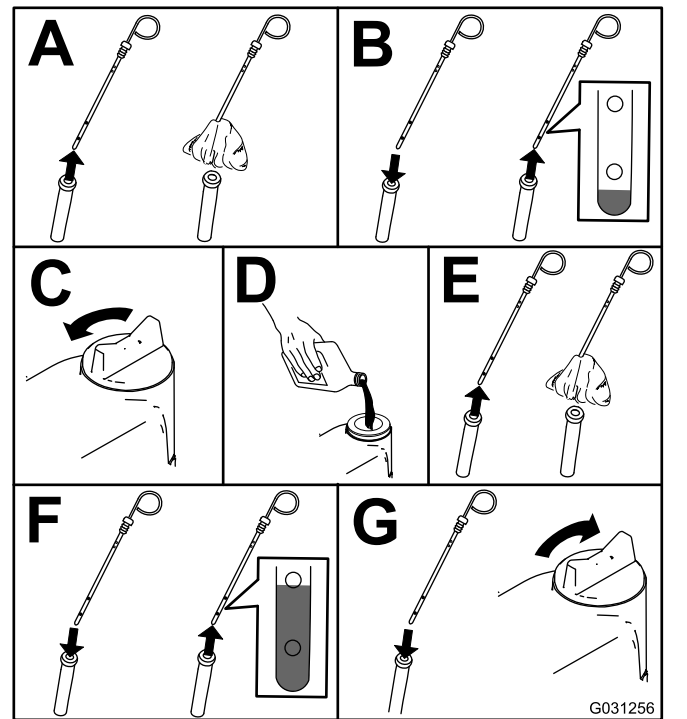


Figure 61

**Note:** When using different oil, drain all old oil from the crankcase before adding new oil.

## Crankcase Oil Capacity

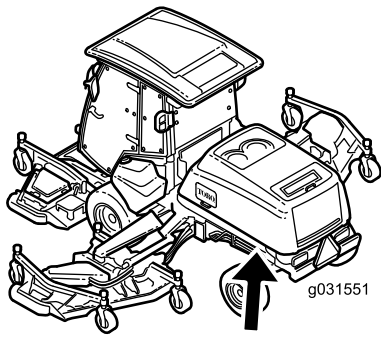
10.4 L (11 US qt) with the filter

## Changing the Engine Oil and Engine-Oil Filter

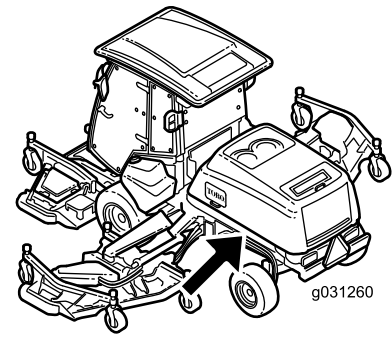
**Service Interval:** Every 500 hours—Change the engine oil and engine-oil filter.

**Note:** Change the engine oil and filter more frequently when the operating conditions are extremely dusty or sandy.

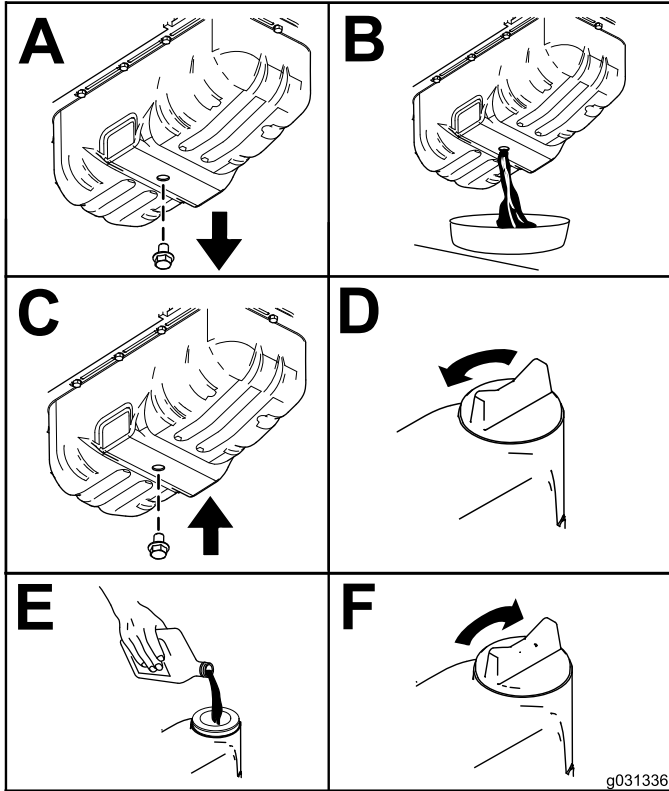
1. Start the engine and let it run 5 minutes to allow the oil to warm up.
2. Park the machine on a level surface, engage the parking brake, lower the cutting deck, shut off the engine, and remove the key.
3. Change the engine oil as shown in [Figure 62](#).



g031551

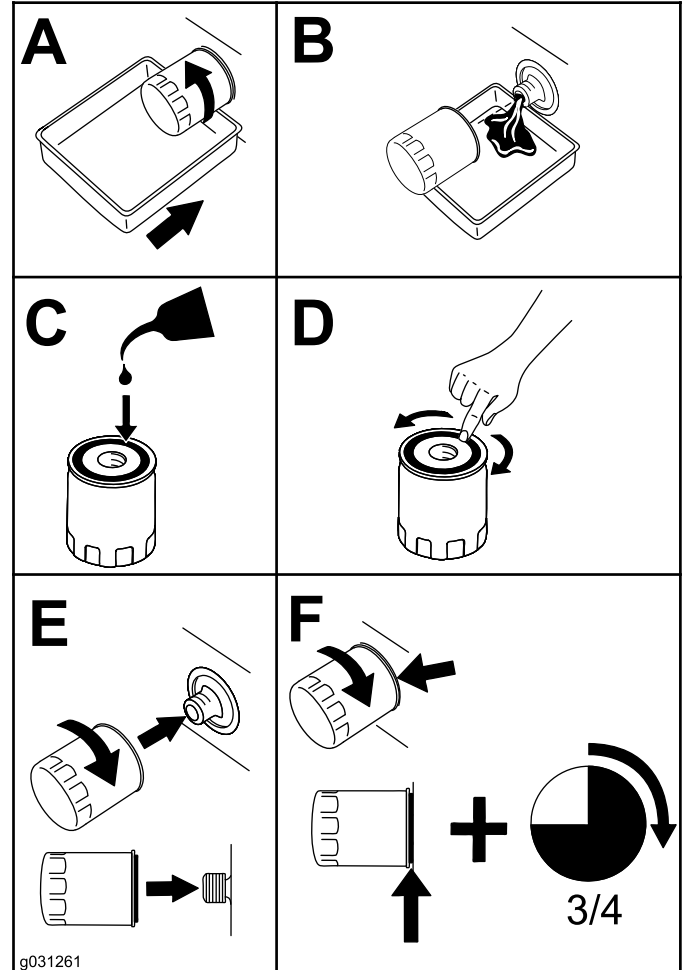


g031260



g031336

Figure 62



g031261

g031261

Figure 63

4. Change the engine-oil filter (Figure 63).

**Note:** Ensure that the oil-filter gasket touches the engine, and then an extra 3/4 turn is completed.

## Adjusting the Engine-Valve Clearance

**Service Interval:** Every 1,000 hours

Refer to your engine owner's manual for the adjustment procedure.

## Cleaning the Engine EGR Cooler

**Service Interval:** Every 1,500 hours

For information on cleaning the engine EGR cooler, refer to your engine operator's manual.

## Inspecting the Engine Crankcase-Breather System

**Service Interval:** Every 1,500 hours

For information on inspecting the engine crankcase-breather system, refer to your engine operator's manual.

## Checking and Replacing Fuel Hoses and Engine-Coolant Hoses

**Service Interval:** Every 2,000 hours/Every 2 years (whichever comes first)

For information on checking and replacing fuel hoses and engine-coolant hoses, refer to your engine operator's manual.

## Lapping or Adjusting the Engine Intake and Exhaust Valves

**Service Interval:** Every 2,000 hours

For information on lapping or adjusting the engine intake and exhaust valves, refer to your engine owner's manual.

## Inspecting and Cleaning Engine-Emission-Control Components and Turbocharger

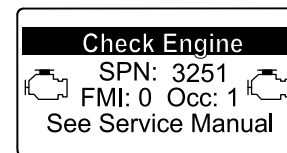
**Service Interval:** Every 3,000 hours

For information on inspecting and cleaning the engine-emission-control components, refer to your engine operator's manual.

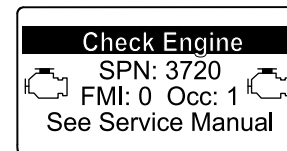
## Servicing the Diesel-Oxidation Catalyst (DOC) and the Soot Filter

**Service Interval:** Every 3,000 hours or clean the soot filter if engine faults SPN 3720 FMI 16 or SPN 3720 FMI 0 display in the InfoCenter.

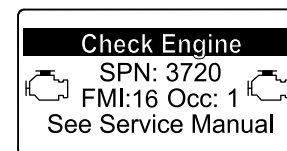
If engine faults CHECK ENGINE SPN 3251 FMI 0, CHECK ENGINE SPN 3720 FMI 0, or CHECK ENGINE SPN 3720 FMI 16 in the InfoCenter (Figure 64) display in the InfoCenter, clean the soot filter using the steps that follow:



g214715



g213864



g213863

Figure 64

1. Refer to the Engine section in the *Service Manual* for information on disassembling and assembling the diesel-oxidation catalyst and the soot filter of the DPF.
2. Refer to your authorized Toro distributor for diesel-oxidation catalyst and the soot filter replacement parts or service.
3. Contact your authorized Toro distributor to have them reset the engine ECU after you install a clean DPF.

# Fuel System Maintenance

## Fuel Maintenance

This *Operator's Manual* contains more detailed fuel and fuel system maintenance information than the Yanmar® engine *Owner's Manual*, which is a general-purpose reference relating to fuel and fuel maintenance.

Ensure that you understand that the fuel system maintenance, fuel storage, and fuel quality require your attention to avoid downtime and extensive engine repairs.

The fuel system has extremely tight tolerances due to the emissions and control requirements. Diesel fuel quality and cleanliness is more important for the longevity of today's high-pressure common rail (HPCR) fuel-injection system used on diesel engines.

**Important:** Water or air in the fuel system will damage your engine! Do not assume that new fuel is clean. Ensure that your fuel is from a quality supplier, store your fuel correctly, and use your fuel supply within 180 days.

**Important:** If you do not follow the procedures for fuel filter replacement, fuel system maintenance, and fuel storage, the engine fuel system could fail prematurely. Perform all fuel system maintenance at the specified intervals or whenever the fuel is contaminated or its quality is poor.

## Storing Fuel

Appropriate fuel storage is critical for your engine. Proper maintenance of fuel storage tanks is often overlooked and leads to the contamination of fuel delivered to the machine.

- Acquire only enough fuel that you will consume within 180 days. Do not use fuel that has been stored for more than 180 days. This helps eliminate water and other contaminants in the fuel.
- If you do not remove the water from the storage tank or machine fuel tank, it can lead to rust or contamination in the storage tank and fuel system components. Tank sludge developed by mold, bacteria, or fungus restricts flow and clogs the filter and fuel injectors.
- Inspect your fuel storage tank and machine fuel tank regularly to monitor the fuel quality in the tank.
- Ensure that your fuel comes from a quality supplier.
- If you find water or contaminants in your storage tank or machine fuel tank, work with your fuel

provider to correct the problem and perform all fuel system maintenance.

- Do not store diesel fuel in tanks or canisters made with zinc-plated components.

## Servicing the Fuel-Water Separator

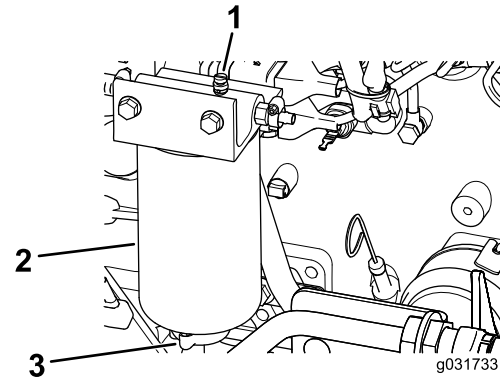


Figure 65

g031733

## Draining Water from the Fuel/Water Separator

**Service Interval:** Before each use or daily—Drain water or other contaminants from the fuel/water separator.

1. Drain water from the fuel/water separator as shown in [Figure 66](#).

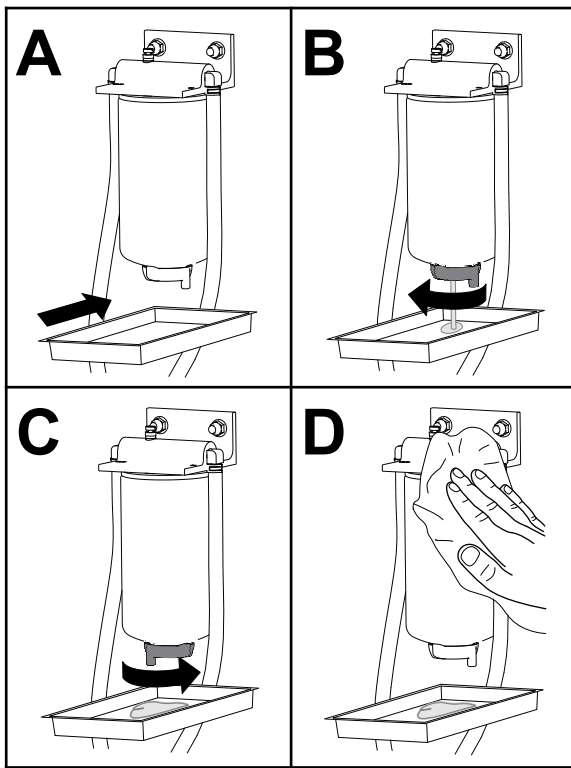


Figure 66

g225506

2. Prime the filter and the lines to the high pressure pump; refer to [Priming the Fuel System \(page 63\)](#).

## Replacing the Fuel/Water Separator Filter

**Service Interval:** Every 400 hours—Replace the fuel/water separator filter.

1. Replace the filter as shown in [Figure 67](#).

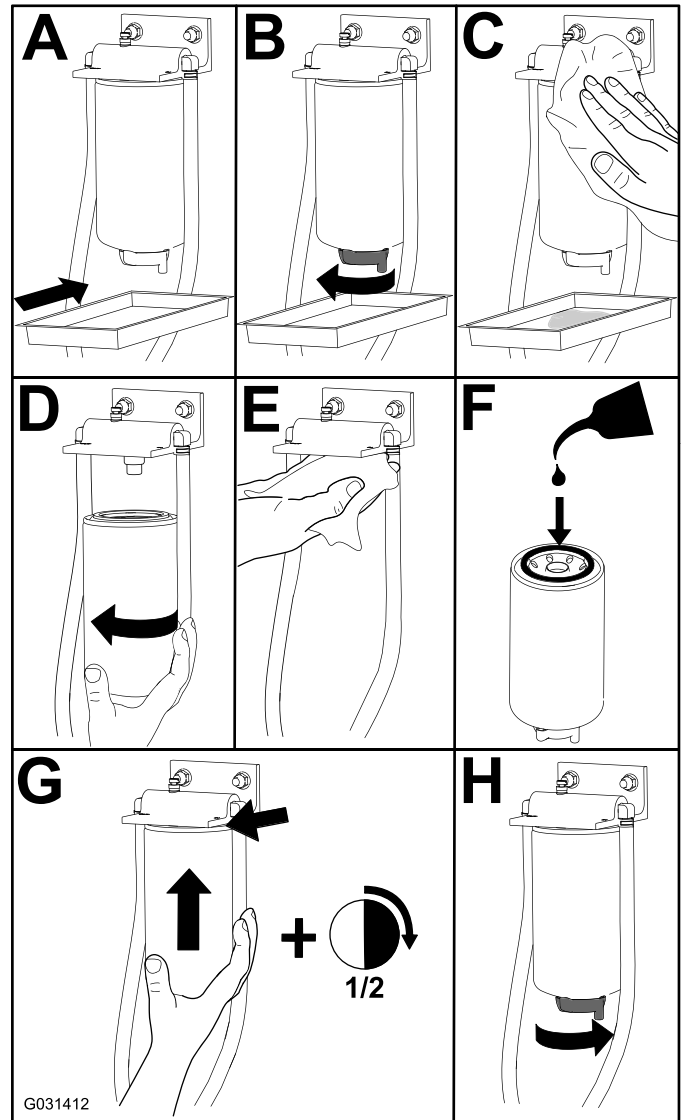


Figure 67

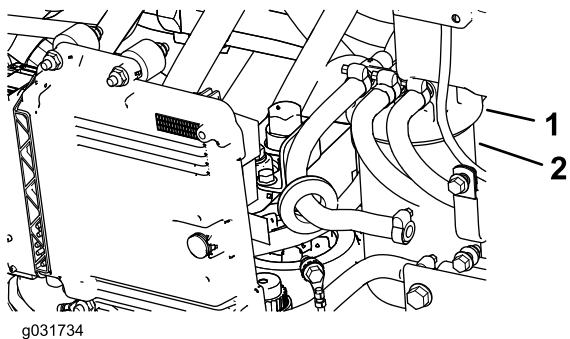
g031412

2. Prime the filter and the lines to the high pressure pump; refer to [Priming the Fuel System \(page 63\)](#).

## Servicing the Fuel Filter

**Service Interval:** Every 500 hours—Replace the fuel-filter element.

1. Clean the area around the fuel-filter head ([Figure 68](#)).



**Figure 68**

1. Fuel-filter head                      2. Filter

2. Remove the filter and clean the filter-head-mounting surface ([Figure 68](#)).
3. Lubricate the filter gasket with clean, lubricating engine oil; refer to the engine owner's manual (included with the machine) for additional information.
4. Install the dry filter canister, by hand, until the gasket contacts the filter head, then rotate it an additional 1/2 turn.
5. Prime the filter and the lines to the high pressure pump; refer to [Priming the Fuel System \(page 63\)](#).
6. Start the engine and check for fuel leaks around the filter head.

## Draining the Fuel Tank

**Service Interval:** Every 800 hours—Drain and clean the fuel tank.

Before storage—Drain and clean the fuel tank.

In addition to the listed service interval, drain and clean the tank if the fuel system becomes contaminated or if you are storing the machine for an extended period. Use clean fuel to flush out the tank.

Prime the filter and the lines to the high pressure pump; refer to [Priming the Fuel System \(page 63\)](#).

## Inspecting the Fuel Lines and Connections

**Service Interval:** Every 400 hours/Yearly (whichever comes first)

Inspect the fuel lines for deterioration, damage, or loose connections.

Replace any deteriorated clamps or hoses.

**Note:** Prime the fuel system if you replace any fuel lines; refer to [Priming the Fuel System \(page 63\)](#).

## Priming the Fuel System

Prime the fuel system after the following scenarios:

- Replacing the fuel filter.
- Draining the water separator after each use or daily.
- Running out of fuel.
- Replacing a fuel hose or open the fuel system for any reason.

To prime the fuel system, perform the following steps:

**Important:** Do not use the engine-starter motor to crank the engine for fuel-system priming.

1. Ensure that fuel is in the fuel tank.
2. Perform the following steps to prime the filter and the lines to the high-pressure pump to prevent wear or damage to the pump:
  - A. Cycle the key to the ON position for 15 to 20 seconds.
  - B. Cycle the key to the OFF position for 30 to 40 seconds.

**Note:** This allows the ECU to power down.

  - C. Cycle the key to the ON position for 15 to 20 seconds.
  - D. Inspect for leaks around the filter and hoses.
  - E. Start the engine and inspect for leaks.

# Electrical System Maintenance

## Electrical System Safety

- Disconnect the battery before repairing the machine. Disconnect the negative terminal first and the positive last. Connect the positive terminal first and the negative last.
- Charge the battery in an open, well-ventilated area, away from sparks and flames. Unplug the charger before connecting or disconnecting the battery. Wear protective clothing and use insulated tools.

## Checking the Battery Condition

Service Interval: Every 50 hours

**Important:** Before welding on the machine, disconnect the negative cable from the battery to prevent damage to the electrical system. Also, you must disconnect the engine, InfoCenter, and machine controllers before welding on the machine.

**Note:** Keep the terminals and the entire battery case clean, because a dirty battery discharges slowly. To clean the battery, wash the entire case with a solution of baking soda and water. Rinse with clear water. Coat the battery posts and cable connectors with Grafo 112X (skin-over) grease (Toro Part No. 505-47) or petroleum jelly to prevent corrosion.

## Locating the Fuses

**Important:** If you are installing an auxiliary accessory to the machine, the only approved locations to source power are at the traction-unit fuse block (Figure 73) or the cab-fuse block (Figure 75). A maximum of 10 A is available from either location. Contact your authorized Toro distributor for assistance.

**Note:** Shut off the engine and remove the key before removing the fuses.

The traction-unit fuses (Figure 69) are located in the power-center console behind the seat (Figure 70).

Additional traction-unit fuses (Figure 71) are located on the rear, right side of the machine (Figure 72).

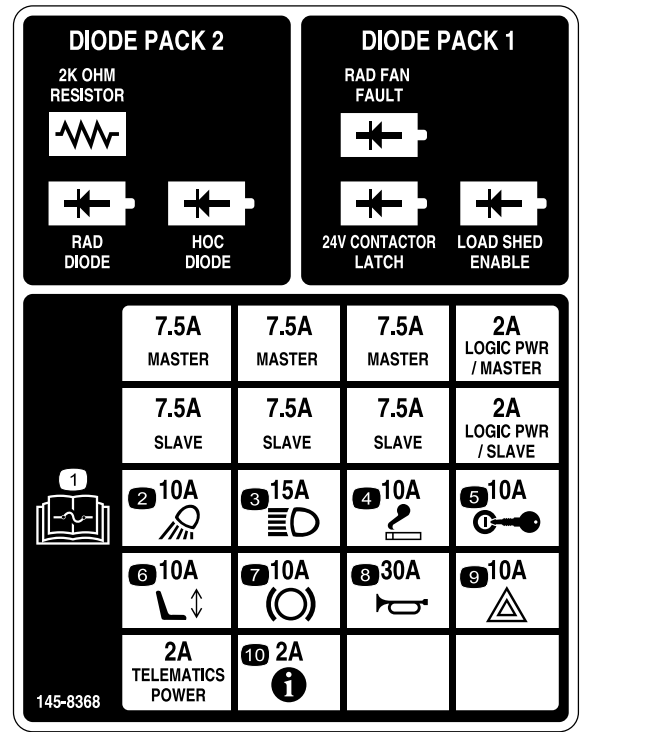


Figure 69

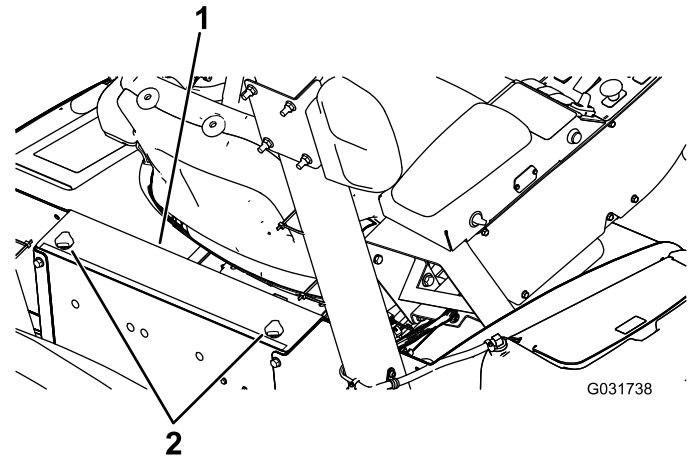
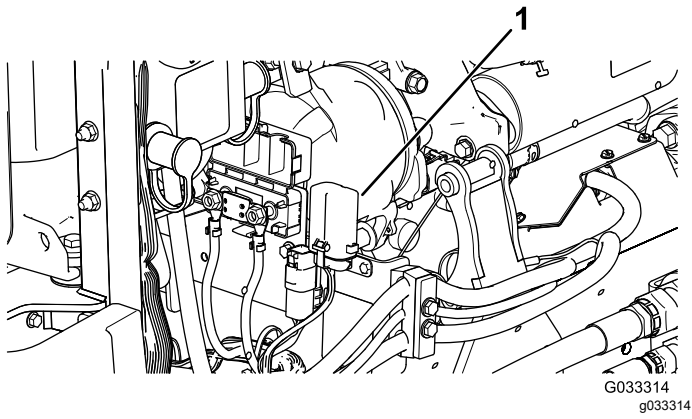


Figure 70

1. Power-center console
2. Knobs

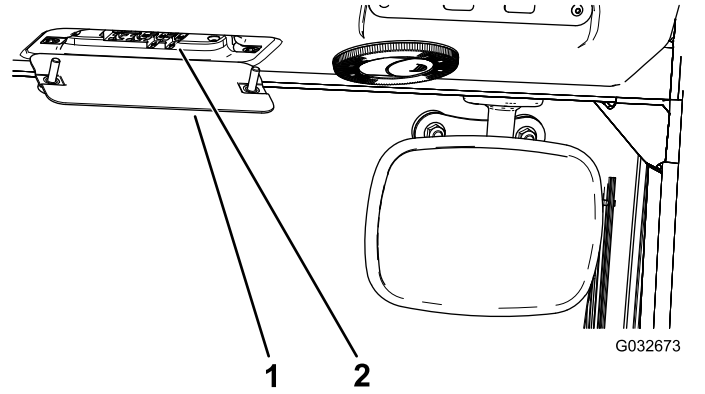


Figure 71



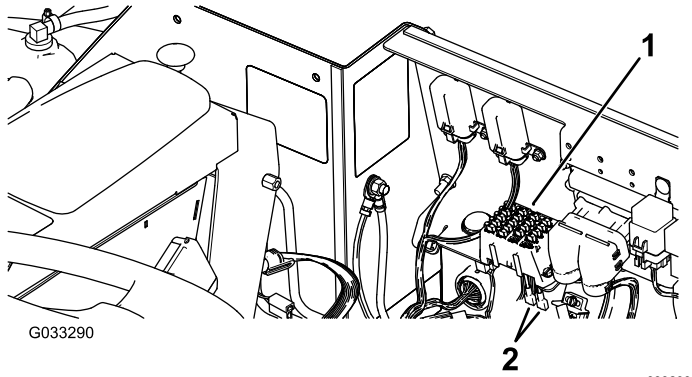
**Figure 72**

1. Fuse block



**Figure 75**

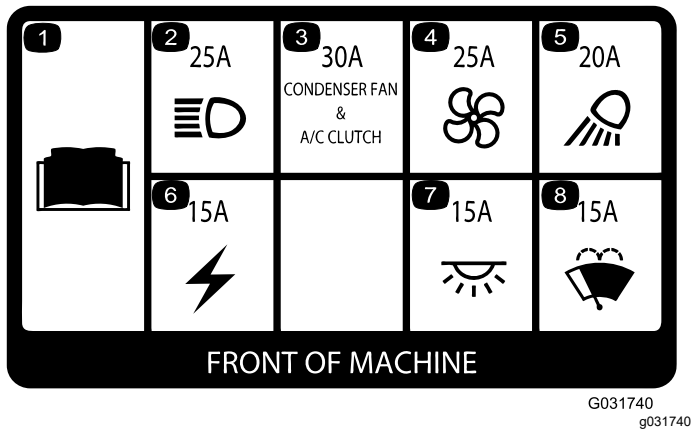
1. Cab fuse box
2. Fuses



**Figure 73**

1. Fuse block
2. Power leads

The cab fuses (Figure 74) are located in the fuse box on the cab headliner (Figure 75).



**Figure 74**

## Charging the Batteries

### ⚠ WARNING

Charging the batteries produces gasses that can explode.

Do not smoke near the battery, and keep sparks and flames away from the batteries.

**Note:** This procedure is for charging the 12 V system.

**Important:** Keep the batteries fully charged. This is especially important to prevent battery damage when the temperature is below 32°F (0°C).

1. Perform the pre-maintenance procedure; refer to [Pre-Maintenance Procedures \(page 52\)](#).
2. Clean the exterior of the battery case and the battery posts.

**Note:** Connect the leads of the battery charger to battery posts before connecting the charger to the electrical source.

3. Remove the covers from the jump posts ([Figure 76](#)).

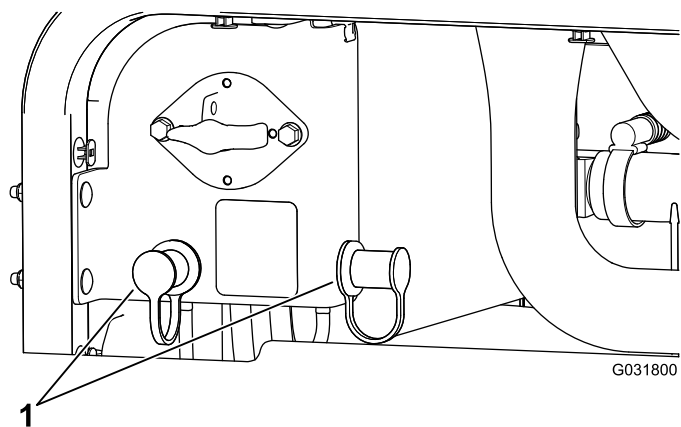


Figure 76

1. Jump-post covers

4. Connect the positive lead of the battery charger to the positive jump post (Figure 77).

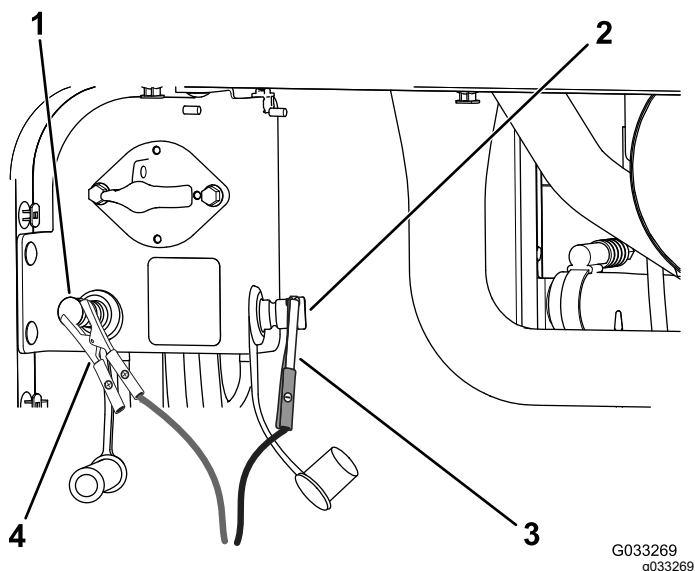


Figure 77

- |                           |                                    |
|---------------------------|------------------------------------|
| 1. Positive (+) jump post | 3. Negative (-) jumper-cable clamp |
| 2. Negative (-) jump post | 4. Positive (+) jumper-cable clamp |

5. Connect the negative lead of the battery charger to the negative jump post (Figure 77).
6. Connect the battery charger to the electrical source, and charge the battery according to the Battery-charging Table that follows.

**Important:** Do not overcharge the battery.

### Battery-charger Table

Charger setting	Charging time
4 to 6 A	30 minutes
25 to 30 A	10 to 15 minutes

7. When the batteries are fully charged, unplug the charger from the electrical source, then disconnect the charger leads from the jump posts (Figure 77).

## Jump-Starting the Machine

### ⚠ WARNING

Jump-starting the battery can produce gasses that can explode.

**Do not smoke near the battery and keep sparks and flames away from battery.**

**Note:** This procedure requires 2 people to perform. Ensure that the person making the connections wears the proper face protection, protective gloves, and clothing.

1. Park the machine on a level surface, engage the parking brake, lower the cutting deck, and shut off the engine.
2. Sit in the operator seat and have the other person make the connections.

**Note:** Ensure that the jumper battery is a 12V battery.

**Important:** If you are using another machine for power, ensure that the 2 machines are not touching each other.

3. Remove the covers from the jump posts (Figure 76).
4. Connect the positive (+) jumper cable to the positive jump post (Figure 78).

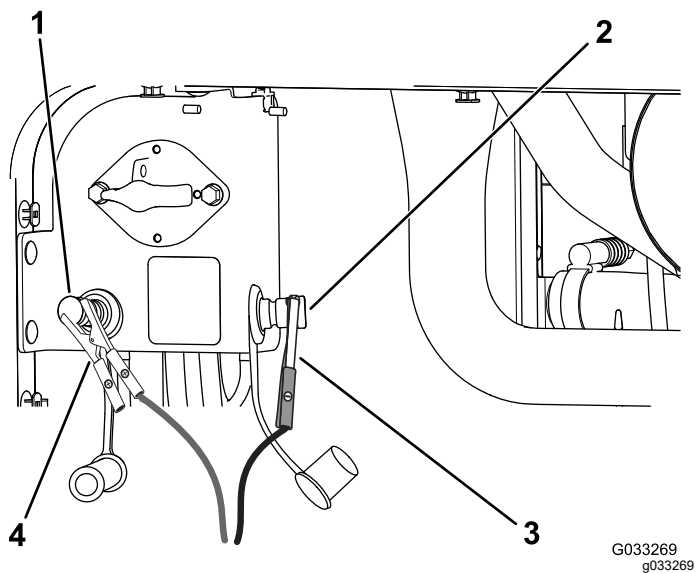


Figure 78

G033269  
g033269

- |                           |                                    |
|---------------------------|------------------------------------|
| 1. Positive (+) jump post | 3. Negative (-) jumper-cable clamp |
| 2. Negative (-) jump post | 4. Positive (+) jumper-cable clamp |

5. Connect the negative (-) jumper cable to the negative jump post (Figure 78).
6. Start the engine.

**Important:** If the engine starts and then stops, do not operate the starter motor until the starter motor stops turning. Do not operate the starter motor for more than 30 seconds at one time. Wait 30 seconds before operating the starter motor to cool the motor.

7. When the engine starts, have the other person disconnect the negative (-) jumper cable from the negative jump post and then disconnect the positive (+) jumper cable (Figure 78).

## Removing the Batteries

1. Open the hood and turn the battery-disconnect switch to the OFF position.
2. Remove the three 3 flange screws from each side of the rear bumper as shown in Figure 79.
3. Loosen the remaining flange screws securing the rear bumper to the frame and pivot the bumper downward.

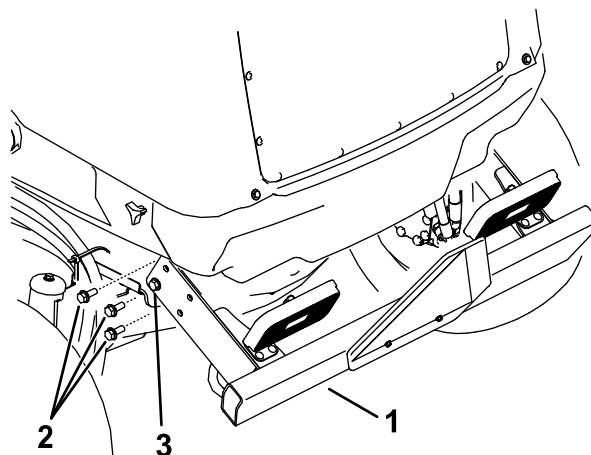


Figure 79

g199824

1. Rear bumper
2. Loosen this flange screw on both sides.
3. Remove these 3 flange screws on both sides.

4. Loosen the knobs and remove both side shrouds (Figure 80).

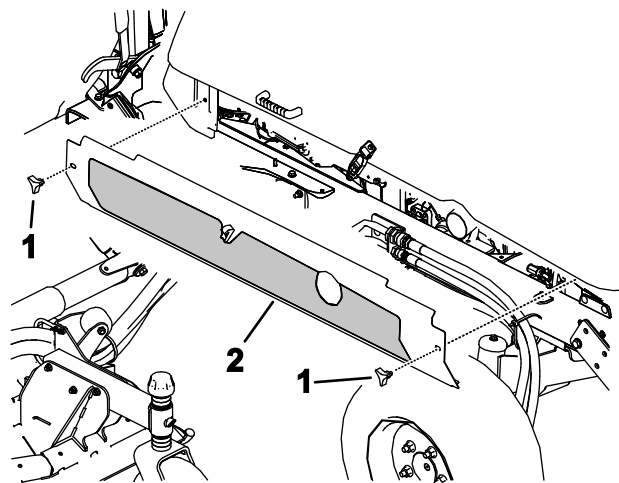
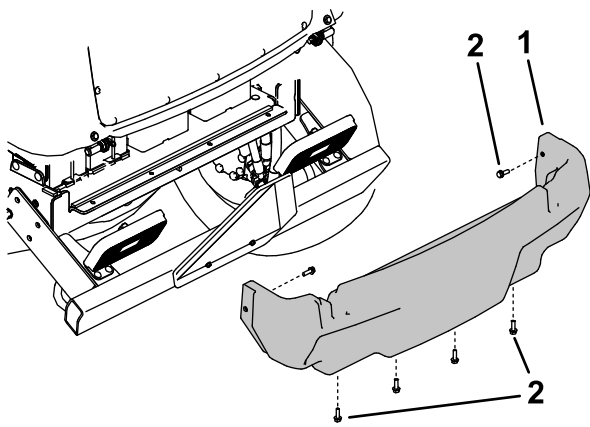


Figure 80

g199825

1. Knobs
2. Remove the side shrouds on both sides

5. Remove the 6 flange screws securing rear shroud to the frame and remove the rear shroud (Figure 81).

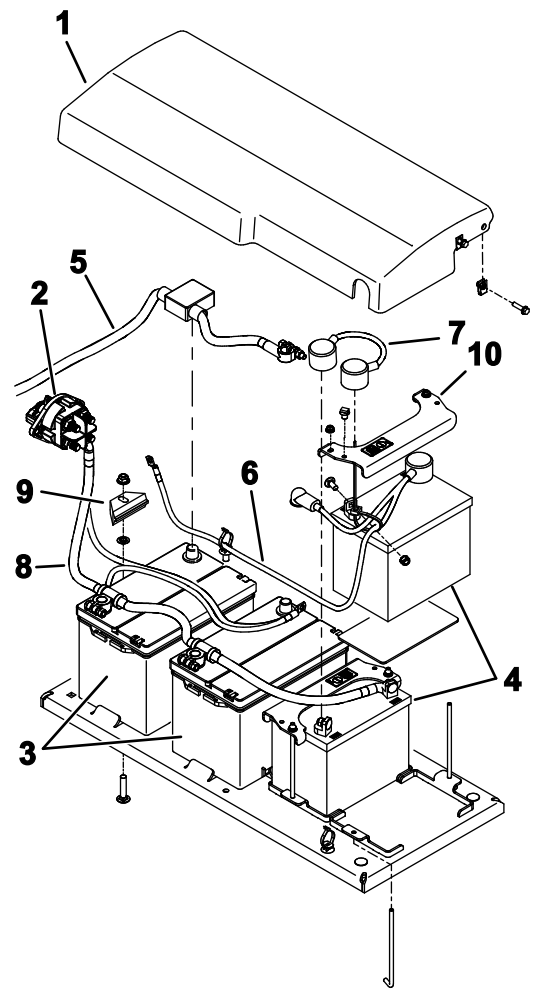


**Figure 81**

g199826

- 1. Rear shroud
- 2. Flange screw

- 6. Remove the fasteners that secure the battery cover to the machine and remove the cover (Figure 82).
- Note:** Make note of how and where the battery cables are installed.
- 7. Loosen and remove the battery cables from the batteries.
  - 8. Remove the fasteners that secure the battery-hold downs.
  - 9. Carefully remove the batteries from the machine (Figure 82).



**Figure 82**

g199822

- 1. Battery cover
- 2. Battery-disconnect switch
- 3. Batteries—12 V (for 12 VDC system)
- 4. Batteries—12 V (for 24 VDC system)
- 5. Positive (+) cable (for 12 VDC system)
- 6. Cable assembly (for 24 VDC system)
- 7. Cable - jumper (for 24 VDC system)
- 8. Ground cable (-)
- 9. Battery hold down
- 10. Battery hold down

## Installing the Batteries

1. Secure the batteries with the hold downs ([Figure 82](#)).
2. Install the battery cables.
3. Position the battery cover in place and secure it with the removed fasteners.
4. Install the rear shroud ([Figure 81](#)).
5. Install the side shrouds ([Figure 80](#)).
6. Raise the rear bumper into position and install the flange screws. Tighten all the flange screws securing the rear bumper to the frame ([Figure 79](#)).
7. Turn the battery-disconnect switch to the ON position.

## Drive System Maintenance

### Calibrating the Traction Pedal

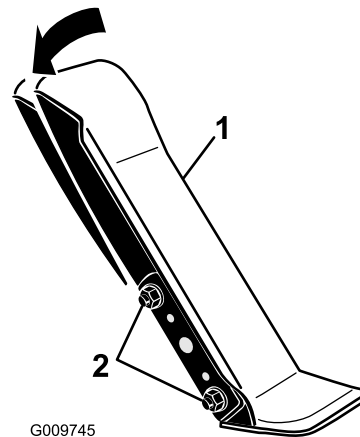
**Service Interval:** Every 1,000 hours—Calibrate the traction pedal.

Contact your authorized Toro distributor or refer to the *Toro Service Manual* for assistance.

### Adjusting the Traction-Pedal Angle

You can adjust the operating angle of the traction pedal for your comfort.

1. Loosen the 2 nuts and bolts securing the left side of the traction pedal to the bracket ([Figure 83](#)).



G009745

g009745

**Figure 83**

1. Traction pedal
2. Mounting nuts and bolts

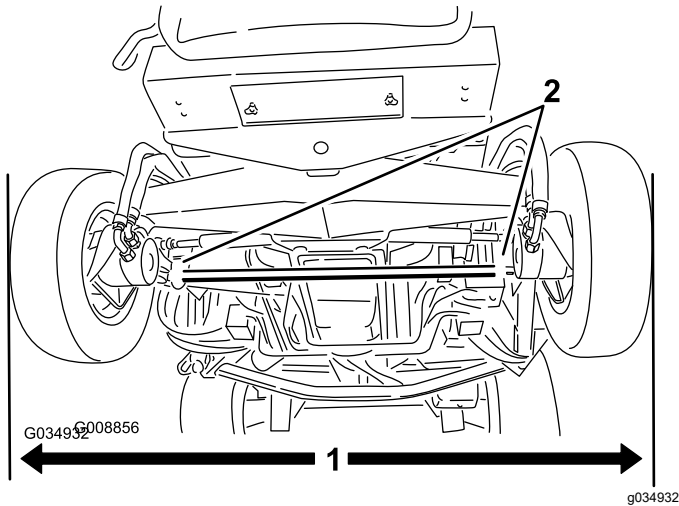
2. Pivot the pedal to the desired operating angle and tighten the nuts ([Figure 83](#)).

# Checking the Rear Wheel Toe-In

**Service Interval:** Every 1,000 hours—Check the rear wheel toe-in.

1. With the rear tires in a straight position, measure the outside distance (at axle height) at the front and rear of the rear tires (Figure 84).

**Note:** The front measurement should be 0 to 3 mm (0 to 0.12 inch) greater than the rear measurement.



**Figure 84**

1. Outside distance
  2. Tie-rod clamps
- 
2. To adjust the toe-in, loosen the clamps at both ends of the tie rods (Figure 84).
  3. Rotate the tie-rod to move the front of the tire inward or outward.
  4. Once you achieve the correct toe-in, tighten the tie-rod clamps.

# Cooling System Maintenance

## Cooling System Safety

- Swallowing engine coolant can cause poisoning; keep out of reach from children and pets.
- Discharge of hot, pressurized coolant or touching a hot radiator and surrounding parts can cause severe burns.
  - Always allow the engine to cool at least 15 minutes before removing the radiator cap.
  - Use a rag when opening the radiator cap, and open the cap slowly to allow steam to escape.
- Do not operate the machine without the covers in place.
- Keep your fingers, hands, and clothing clear of the rotating fan and drive belt.

## Checking the Engine-Cooling System

**Service Interval:** Before each use or daily—Check the engine-coolant level in the overflow reservoir.

Every 100 hours—Inspect the cooling-system hoses.

The capacity of the system on a machine without a cab is 10.4 L (13.5 US qt) and with a cab is 17 L (18 US qt).

**Recommended coolant:** Ethylene glycol anti-freeze and water (50/50 blend).

### **⚠ DANGER**

The rotating fans and drive belts can cause personal injury.

- Do not operate the machine without the covers in place.
- Keep your fingers, hands, and clothing clear of the rotating fan and drive belt.
- Shut off the engine, remove the key, and turn the battery-disconnect switch to the OFF position before performing maintenance.

## ⚠ CAUTION

If the engine has been running, the pressurized, hot coolant can escape and cause burns.

- Do not open the radiator cap when the engine is running.
- Use a rag when opening the radiator cap, and open the cap slowly to allow steam to escape.

1. Carefully remove the radiator cap and expansion-tank cap (Figure 85).

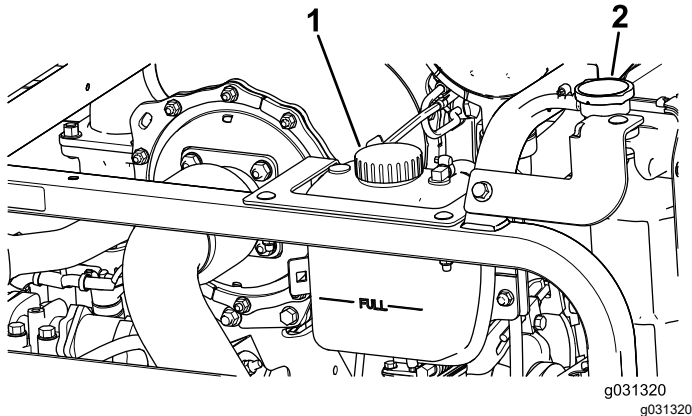


Figure 85

1. Expansion-tank cap
2. Radiator cap

2. Check the coolant level in the radiator (Figure 85).

**Note:** When cool, the radiator should be filled to the top of the filler neck and the expansion tank filled to the Full mark.

3. If the coolant is low, add the recommended replacement coolant to the expansion tank to the Full mark.

**Note:** Do not use water only or alcohol/methanol-based coolants.

4. Install the radiator cap and expansion-tank cap.

## Cleaning the Cooling Systems

**Service Interval:** Before each use or daily

Perform the pre-maintenance procedure; refer to [Pre-Maintenance Procedures](#) (page 52).

**Important:** Do not use water to clean the radiator core or hydraulic-fluid-cooler core. Cleaning the radiator core or hydraulic-fluid-cooler core with water can promote premature corrosion and damage to components.

## Cleaning the Radiator

1. Raise the hood to the fully-open position.
2. Pivot the engine-cooling fans rearward of the radiator and lock the prop rod into the notch (Figure 86).

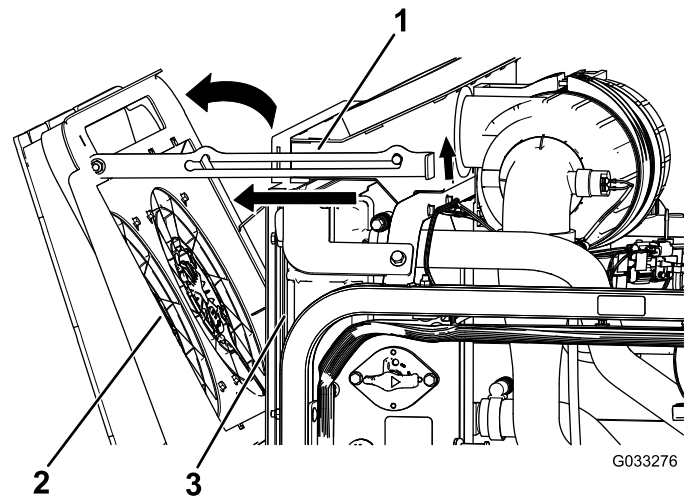
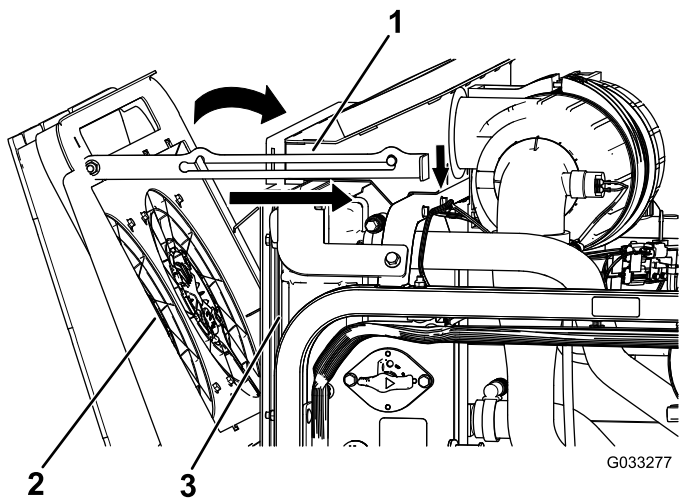


Figure 86

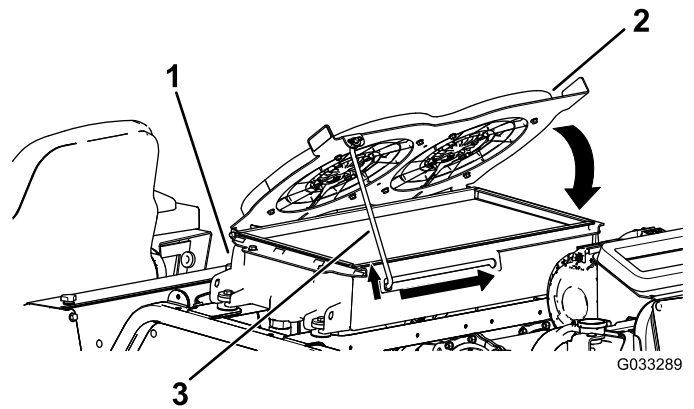
1. Prop rod
2. Engine-cooling fans
3. Radiator

3. Using clean, compressed air, blow the debris from the engine side rearward to clean the radiator core.
4. Pivot the engine-cooling fans forward and lock the prop rod into the notch (Figure 87).



**Figure 87**

1. Prop rod
2. Engine-cooling fans
3. Radiator

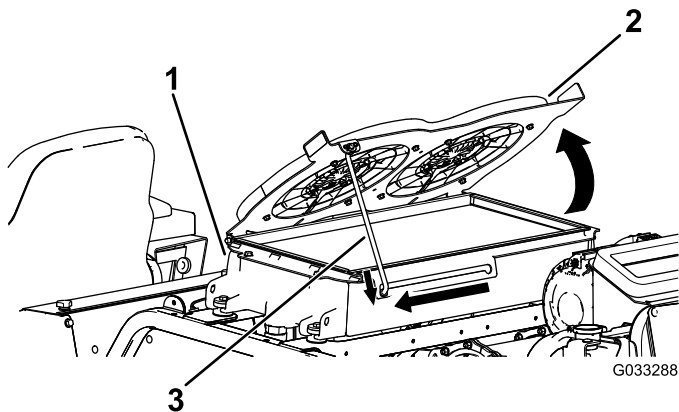


**Figure 89**

1. Hydraulic-fluid cooler
2. Hydraulic-cooling fans
3. Prop rod

## Cleaning the Hydraulic-Fluid Cooler

1. Raise the hood to the fully-open position.
2. Pivot the hydraulic-cooling fans upward and lock the prop rod into the notch ([Figure 88](#)).



**Figure 88**

1. Hydraulic-fluid cooler
2. Hydraulic-cooling fans
3. Prop rod

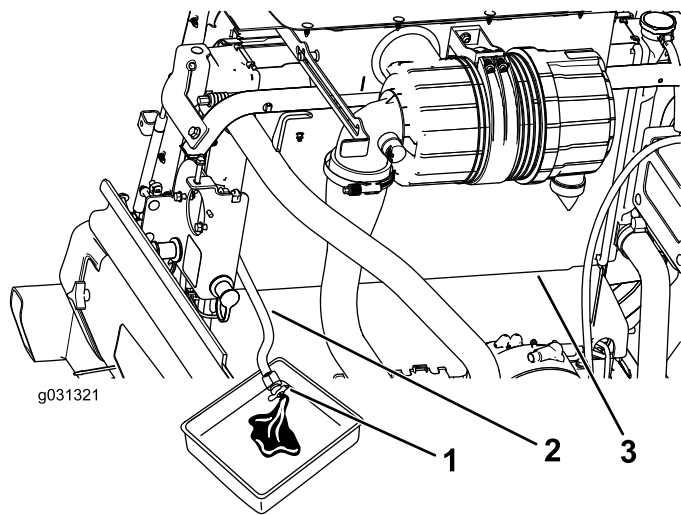
3. Using clean, compressed air, blow the debris from the engine side upward to clean the cooling core.
4. Pivot the hydraulic-cooling fans downward and lock the prop rod into the notch ([Figure 89](#)).

## Changing the Engine-Cooling-System Fluid

**Service Interval:** Every 2,000 hours/Every 2 years (whichever comes first)—Flush the engine-cooling system and replace the fluid.

The capacity of the system on a machine without a cab is 10.4 L (13.5 US qt) and with a cab is 17 L (18 US qt).

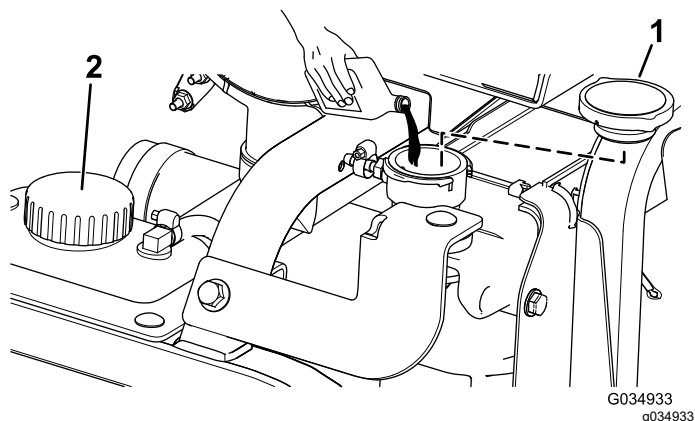
1. Perform the pre-maintenance procedure; refer to [Pre-Maintenance Procedures](#) (page 52).
2. Remove the radiator cap.
3. With the radiator drain hose placed in a drain pan, open the drain valve on the radiator hose and drain the fluid into a drain pan ([Figure 90](#)).



**Figure 90**

- |                        |             |
|------------------------|-------------|
| 1. Drain valve         | 3. Radiator |
| 2. Radiator drain hose |             |

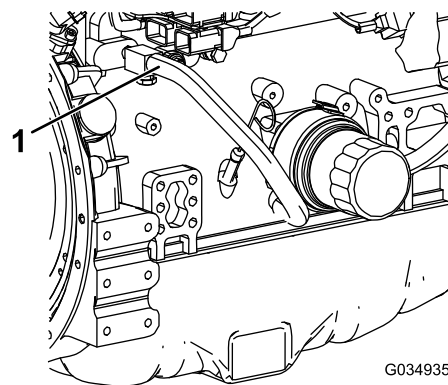
- 
4. Close the valve on the radiator drain hose (Figure 90).
  5. Fill the radiator with coolant until the coolant level even with the lip of the filler port (Figure 91).



**Figure 91**

- |                 |                       |
|-----------------|-----------------------|
| 1. Radiator cap | 2. Expansion-tank cap |
|-----------------|-----------------------|

- 
6. Install the radiator cap.
  7. Remove the coolant hose from the engine-oil cooler (Figure 92).



**Figure 92**

1. Coolant hose

- 
8. After draining the engine coolant, close the drain valve on the radiator drain hose and connect the coolant hose.
  9. Remove the cap of the expansion tank and fill it to the Low mark with engine coolant. Install the cap.
  10. Start and run the engine until it reaches operating temperature.
  11. Check the engine-coolant level; refer to [Checking the Engine-Cooling System \(page 70\)](#).
  12. Add coolant to the expansion tank to bring the coolant level to the Full mark.
  13. Check all engine-coolant-hose connections for leaks.

# Belt Maintenance

## Servicing the 12 V Alternator Belt

**Service Interval:** After the first 50 hours

Every 250 hours

Refer to the engine owner's manual (included with the machine) for the servicing procedure.

## Servicing the 24 V Alternator Belt and AC Compressor Belt

**Service Interval:** After the first 10 hours

Every 1,000 hours

The AC compressor and 24 V alternator belt uses a spring-loaded tensioner that is pre-set at the factory. Refer to the *Toro Service Manual* for the servicing procedure.

## Replacing the Blade-Drive Belts

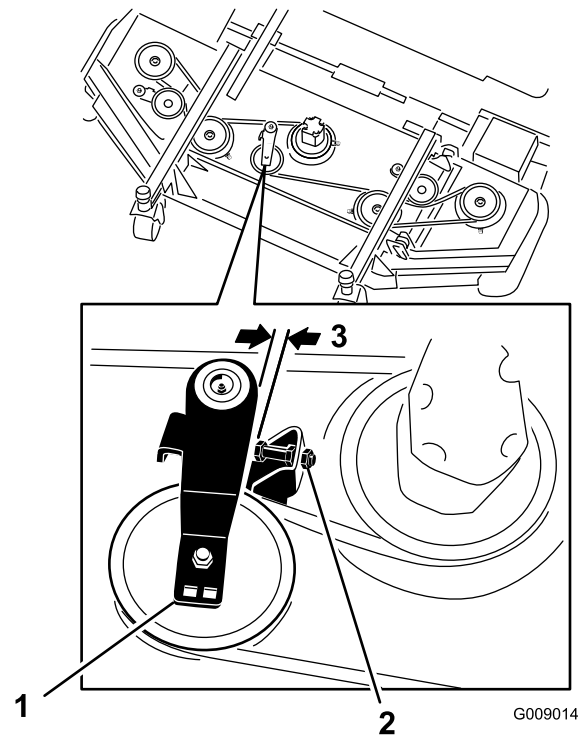
**Service Interval:** Every 50 hours—Inspect the blade-drive belts.

Every 1,000 hours—Replace the blade-drive belts.

The blade-drive belt, tensioned by the spring-loaded idler pulley, is very durable. However, after many hours of use, the belt will show signs of wear. Signs of a worn belt are squealing when the belt is rotating, blades slipping when cutting grass, frayed edges, burn marks, and cracks. Replace the belt if any of these signs occur.

## Replacing the Front Cutting-Unit Belts

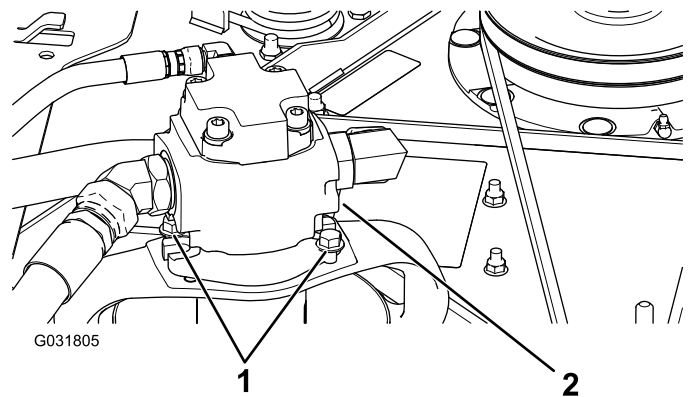
1. Lower the cutting unit to the floor.
2. Remove the belt covers from the top of the cutting unit and set the covers aside.
3. On the front deck, center position, loosen the jam nuts on the idler pulley stop screw and thread the stop screw into the bracket (Figure 93).



**Figure 93**

1. Idler pulley
2. Idler stop screw
3. 2.5 mm to 4 mm (0.10 to 0.16 inch)

4. Using a ratchet wrench or similar tool, move each wing-deck idler pulley away from the drive belt to release the belt tension and allow the belt to slip off the wing-deck pulley (Figure 93).
5. Remove the bolts securing the hydraulic motor to the cutting unit (Figure 94).



**Figure 94**

1. Mounting bolts
2. Hydraulic motor
6. Lift the motor off the cutting unit and lay it on top of the cutting unit.
7. Remove the old belt from around the spindle pulleys and idler pulley.

- Route the new belt around the spindle pulleys and idler-pulley assembly (Figure 95).

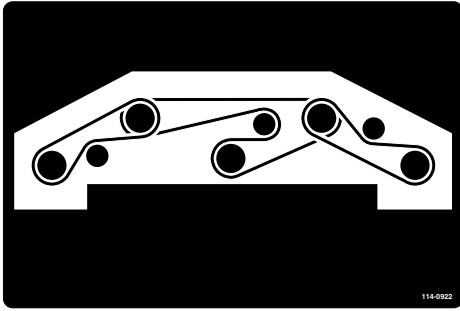


Figure 95

decal114-0922nc

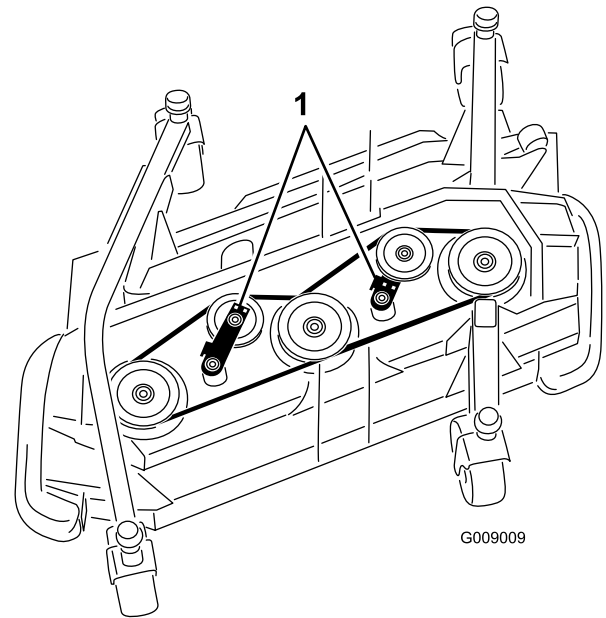


Figure 96

g009009

- Idler pulleys

- Adjust the stop screw on the idler pulley and tighten the jam nuts.
- Install the hydraulic motor to the cutting unit and secure it with the previously removed bolts.
- Torque the bolts to 47.5 N·m (35 ft-lb).
- Install the belt covers.

## Replacing the Wing Cutting-Unit Belts

**Note:** To remove the lower belt, you must remove the upper belt first.

- Lower the cutting unit to the floor.
- Remove the belt covers from the top of the cutting unit and set the covers aside.
- Remove the bolts securing the hydraulic motor to the cutting unit (Figure 94).
- Lift the motor off the cutting unit and lay it on top of the cutting unit.
- Using a ratchet wrench or similar tool, move the idler pulleys away from the drive belt to release the belt tension and allow the belt to slip off the pulleys (Figure 96).

- Remove the old belt from around the spindle pulleys and idler pulley.
- Route the new belt around the spindle pulleys and idler-pulley assembly (Figure 97 and Figure 98).

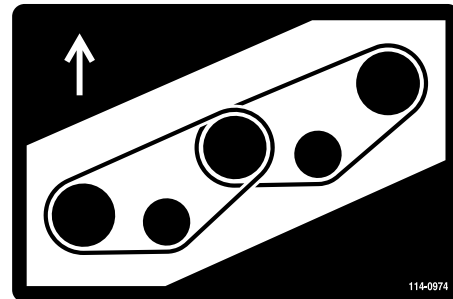


Figure 97  
Right deck

decal114-0974nc

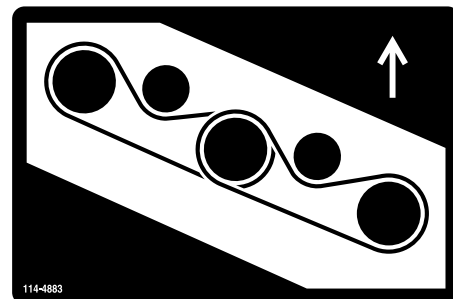


Figure 98  
Left deck

decal114-4883nc

8. Install the hydraulic motor to the cutting unit and secure it with the previously removed bolts.
9. Torque the bolts to 47.5 N·m (35 ft-lb).
10. Install the belt covers.

# Hydraulic System Maintenance

## Hydraulic System Safety

- Seek immediate medical attention if fluid is injected into skin. Injected fluid must be surgically removed within a few hours by a doctor.
- Ensure that all hydraulic-fluid hoses and lines are in good condition and all hydraulic connections and fittings are tight before applying pressure to the hydraulic system.
- Keep your body and hands away from pinhole leaks or nozzles that eject high-pressure hydraulic fluid.
- Use cardboard or paper to find hydraulic leaks.
- Safely relieve all pressure in the hydraulic system before performing any work on the hydraulic system.

## Hydraulic Fluid Specifications

The reservoir is filled at the factory with high-quality hydraulic fluid. Check the level of the hydraulic fluid before you first start the engine and daily thereafter; refer to [Checking the Hydraulic Fluid \(page 77\)](#).

**Recommended hydraulic fluid:** Toro PX Extended Life Hydraulic Fluid; available in 19 L (5 US gallon) pails or 208 L (55 US gallon) drums.

**Note:** A machine using the recommended replacement fluid requires less frequent fluid and filter changes.

**Alternative hydraulic fluids:** If Toro PX Extended Life Hydraulic Fluid is not available, you may use another conventional, petroleum-based hydraulic fluid having specifications that fall within the listed range for all the following material properties and that it meets industry standards. Do not use synthetic fluid. Consult with your lubricant distributor to identify a satisfactory product.

**Note:** Toro does not assume responsibility for damage caused by improper substitutions, so use products only from reputable manufacturers who will stand behind their recommendation.

### High Viscosity Index/Low Pour Point Anti-wear Hydraulic Fluid, ISO VG 46

Material Properties:

Viscosity, ASTM D445

cSt @ 40°C (104°F)  
44 to 48

## High Viscosity Index/Low Pour Point Anti-wear Hydraulic Fluid, ISO VG 46 (cont'd.)

Viscosity Index ASTM D2270	140 or higher
Pour Point, ASTM D97	-37°C to -45°C (-34°F to -49°F)
Industry Specifications:	Eaton Vickers 694 (I-286-S, M-2950-S/35VQ25 or M-2952-S)

**Note:** Many hydraulic fluids are almost colorless, making it difficult to spot leaks. A red dye additive for the hydraulic fluid is available in 20 ml (0.67 fl oz) bottles. A bottle is sufficient for 15 to 22 L (4 to 6 US gallons) of hydraulic fluid. Order Part No. 44-2500 from your authorized Toro distributor.

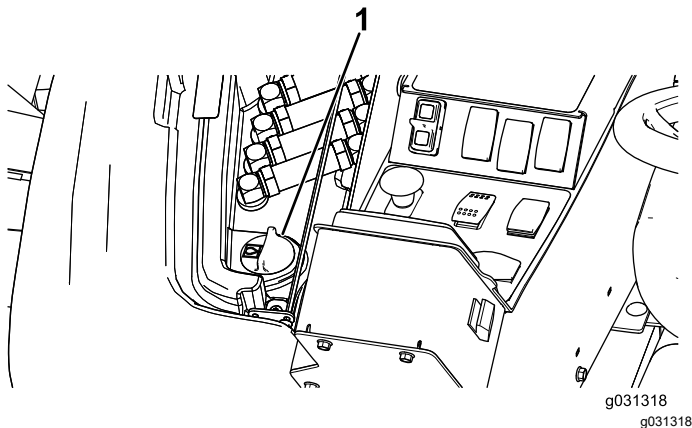
## Hydraulic Fluid Capacity

The capacity is 62.7 L (16.6 US gallons).

## Checking the Hydraulic Fluid

**Service Interval:** Before each use or daily—Check the hydraulic-fluid level.

1. Perform the pre-maintenance procedure; refer to [Pre-Maintenance Procedures \(page 52\)](#).
2. On the right side of the machine, raise the access cover to expose the hydraulic-tank cap ([Figure 99](#)).



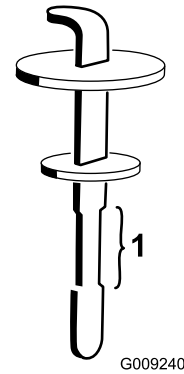
**Figure 99**

1. Hydraulic-tank cap

3. Clean the area around the filler neck and cap of the hydraulic tank ([Figure 99](#)).
4. Remove the cap from the filler neck.
5. Remove the dipstick from the filler neck and wipe it with a clean rag. Insert the dipstick into

the filler neck, then remove it and check the fluid level ([Figure 100](#)).

**Note:** The fluid level should be within the safe operating range on the dipstick.



**Figure 100**

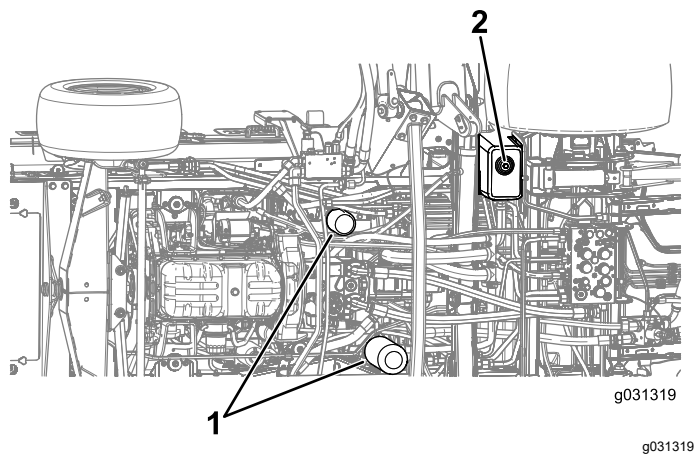
1. Safe operating range
6. If the level is low, add the appropriate fluid to raise the level to the upper mark.
7. Install the dipstick and cap onto the filler neck.
8. Close the cover.

## Changing the Hydraulic Fluid

**Service Interval:** Every 2,000 hours—**If you are using the recommended hydraulic fluid**, change the hydraulic fluid.

Every 800 hours—**If you are not using the recommended hydraulic fluid or have ever filled the reservoir with an alternative fluid**, change the hydraulic fluid.

1. Park the machine on a level surface, engage the parking brake, lower the cutting deck, shut off the engine, and remove the key.
2. Place a large drain pan under the hydraulic-fluid tank.
3. Remove the hydraulic-tank cap and dipstick.
4. Remove the drain plug from the bottom of the tank and let the hydraulic fluid flow into the pan ([Figure 101](#)).



**Figure 101**

1. Hydraulic filters                      2. Drain plug

5. Install the drain plug when the hydraulic fluid stops draining.
  6. Fill the reservoir with hydraulic fluid; refer to [Checking the Hydraulic Fluid \(page 77\)](#).
- Important:** Use only the hydraulic fluids specified. Other fluids could cause system damage.
7. Install the reservoir dipstick and cap.
  8. Start the engine and use all of the hydraulic controls to distribute hydraulic fluid throughout the system.
- Note:** Also, check for leaks, then shut off the engine.
9. Check the fluid level and add enough to raise the level to the Full mark on the dipstick.

**Note:** Do not overfill.

Use Toro replacement filters (Part No. 86-6110 for the left side of the machine and Part No. 75-1310 for the right side of the machine).

**Important:** Using any other filter may void the warranty on some components.

1. Park the machine on a level surface, engage the parking brake, lower the cutting deck, shut off the engine, and remove the key.
2. Clean the area around the filter-mounting areas.
3. Place a drain pan under the filter and remove the filter ([Figure 101](#)).
4. Lubricate the new filter gasket and fill the filter with hydraulic fluid.
5. Ensure that each filter-mounting area is clean and screw the filter on until the gasket contacts the mounting plate; then tighten the filter an additional 1/2 turn.
6. Fill the reservoir with hydraulic fluid; refer to [Checking the Hydraulic Fluid \(page 77\)](#).

**Important:** Use only the hydraulic fluids specified. Other fluids could cause system damage.

7. Install the reservoir dipstick and cap.
  8. Start the engine and use all of the hydraulic controls to distribute hydraulic fluid throughout the system.
- Note:** Also, check for leaks, then shut off the engine.
9. Check the fluid level and add enough to raise the level to the Full mark on the dipstick.

**Note:** Do not overfill.

## Changing the Hydraulic Filters

**Service Interval:** Every 1,000 hours—**If you are using the recommended hydraulic fluid**, replace the hydraulic filter (sooner if the service interval indicator is in the red zone).

Every 800 hours—**If you are not using the recommended hydraulic fluid or have ever filled the reservoir with an alternative fluid**, replace the hydraulic filter (sooner if the service interval indicator is in the red zone).

If the hydraulic fluid becomes contaminated, contact your authorized Toro distributor because the system must be flushed. Contaminated fluid looks milky or black when compared to clean fluid.

# Checking the Hydraulic Lines and Hoses

Service Interval: Every 2 years

## ⚠ WARNING

Hydraulic fluid escaping under pressure can penetrate skin and cause injury.

- Seek immediate medical help if fluid is injected into skin.
- Make sure that all hydraulic-fluid hoses and lines are in good condition and all hydraulic connections and fittings are tight before applying pressure to the hydraulic system.
- Keep your body and hands away from pinhole leaks or nozzles that eject high-pressure hydraulic fluid.
- Use cardboard or paper to find hydraulic leaks.
- Safely relieve all pressure in the hydraulic system before performing any work on the hydraulic system.

Inspect the hydraulic lines and hoses daily for leaks, kinked lines, loose mounting supports, wear, loose fittings, weather deterioration, and chemical deterioration. Make all necessary repairs before operating the machine.

# Inspecting the Hydraulic System Test Ports

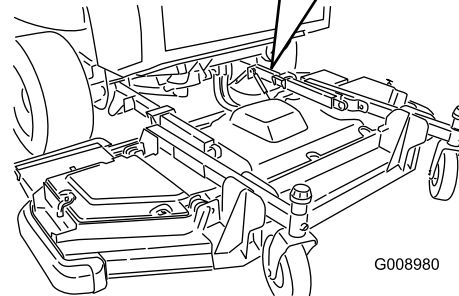
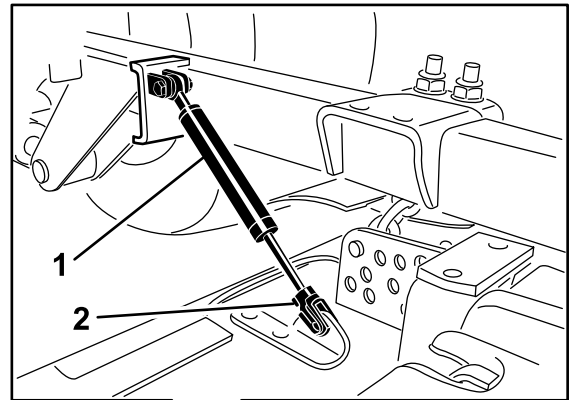
The test ports are used to test the pressure in the hydraulic circuits. Contact your authorized Toro distributor or refer to the *Toro Service Manual* for assistance.

# Cutting Unit Maintenance

## Pivoting (Tilting) the Front Cutting-Unit to the Upright Position

**Note:** Although not needed for normal maintenance procedures, you can pivot (tilt) the front cutting unit to an upright position.

1. Raise the front cutting unit slightly off the floor, engage the parking brake, shut off the engine, and remove the key.
2. Perform the pre-maintenance procedure; refer to [Pre-Maintenance Procedures \(page 52\)](#).
3. Remove the retainer clip and disconnect the damper assembly from the cutting unit ([Figure 102](#)).



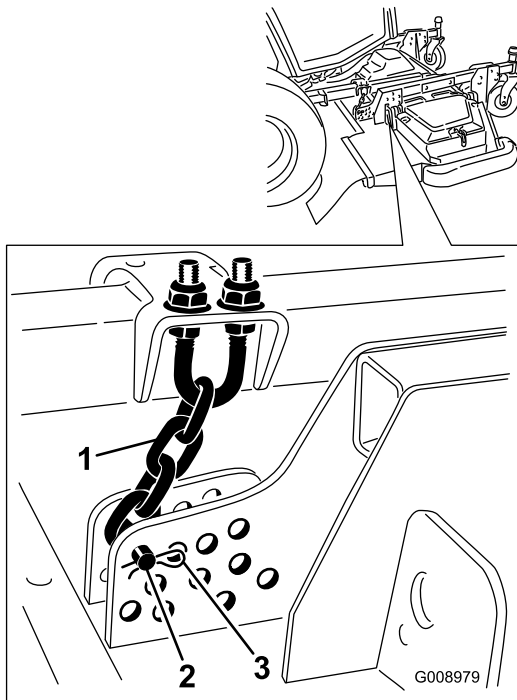
G008980

g008980

**Figure 102**

1. Damper assembly
2. Retainer clip

4. Remove the hairpin cotter and clevis pin securing the height-of-cut chains to the rear of the cutting unit ([Figure 103](#)).

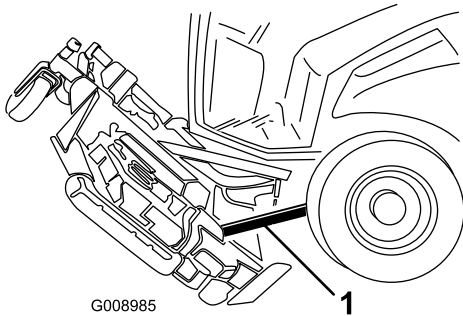


**Figure 103**

g008979

1. Height-of-cut chain
2. Clevis pin
3. Hairpin cotter

5. Start the engine, slowly raise the front cutting unit, shut off the engine, and remove the ignition key.
6. Wedge a block of wood between the rear of the deck and the machine ([Figure 104](#)).



**Figure 104**

g008985

1. Block of wood

## Pivoting (Tilting) the Front Cutting-Unit Down

1. With the help of another person holding the front of the cutting unit, remove the block of wood.
2. Sit on the seat, start the engine, and lower the cutting unit until it is slightly off the floor.
3. Secure the height-of-cut chains to the rear of the cutting unit.
4. Connect the damper assembly and secure it with the retainer clip.

## Adjusting the Cutting-Unit Pitch

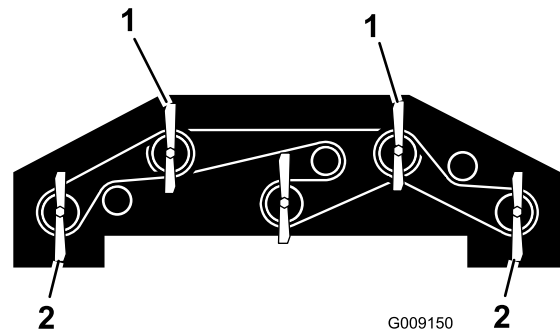
### Measuring the Cutting-Unit Pitch

The mower-deck pitch is the difference between the height of cut from the front tip of the blade to the back tip. Set a blade pitch of 6.3 to 9.7 mm (0.25 to 0.38 inch); i.e., the back tip of the blade should be 7.5 mm (0.3 inch) higher than the front tip.

1. Park the machine on a level surface, engage the parking brake, lower the cutting deck, shut off the engine, and remove the key.
2. Set the cutting unit to the desired height of cut.
3. Ensure that the winglets are level to the front deck and the front deck is level side to side.

### Adjusting the Front Cutting-Unit Pitch

1. Rotate each blade so that they point straight forward ([Figure 105](#)).



**Figure 105**

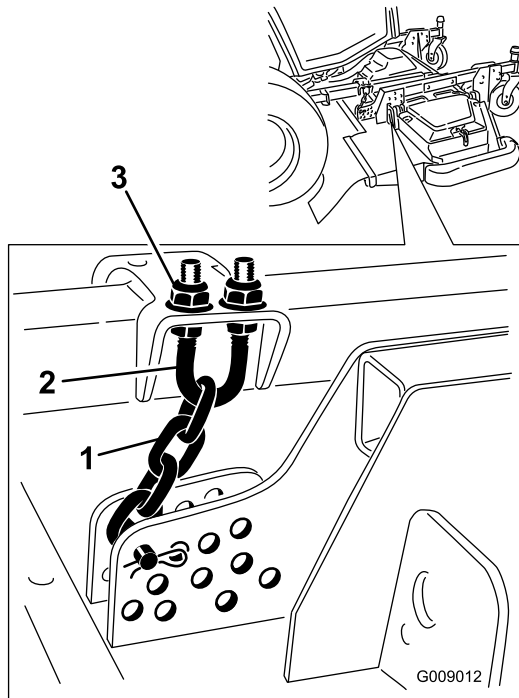
g009150

1. Use 1 of these blades for measuring the front-blade height.
2. Use 1 of these blades for measuring the rear-blade height.

2. Using a short ruler, measure from the floor to the front tip of the front blade and record this dimension.

3. Measure from the floor to the back tip of the winglet blade and record this dimension.
4. Subtract the front dimension from the rear dimension to calculate the pitch of each blade.
5. Loosen the jam nuts on the top or bottom of the height-of-cut chain U-bolt (Figure 106).

**Note:** Loosen or tighten the height-of-cut chain nuts equally, so that the deck remains level from side to side.



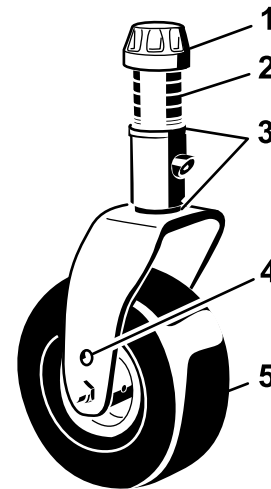
**Figure 106**

1. Height-of-cut chain
2. U-bolt
3. Nut (2)

6. Adjust the other set of nuts to raise or lower the rear of the cutting unit and attain the correct mower-deck pitch based on the average pitch of each blade.
7. Tighten the jam nuts.

## Adjusting the Wing Cutting-Unit Pitch

1. Remove the tensioning cap from the caster-spindle shaft and slide the spindle out of the caster arm (Figure 107).



**Figure 107**

1. Tensioning cap
2. Spacers
3. Shims
4. Top axle-mounting hole
5. Caster wheel

2. Position the shims, as required, to raise or lower the caster wheel until the cutting unit has the correct pitch.
3. Install the tensioning cap.

## Servicing the Caster-Arm Bushings

The caster arms have bushings pressed into the top and bottom of the tube, and after many hours of operation, the bushings wear. To check the bushings, move the caster fork back and forth and from side to side. If the caster spindle is loose inside the bushings, the bushings are worn; replace them.

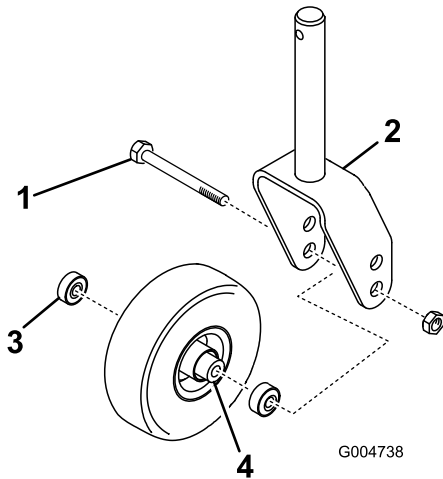
Remove the tensioning cap and caster fork (Figure 107).

**Note:** Record the position of the washers and spacers before you remove them so that you do not need to adjust the deck pitch.

# Servicing the Caster Wheels and Bearings

**Service Interval:** Every 500 hours—Inspect the cutting unit caster-wheel assemblies.

1. Remove the locknut from the bolt holding the caster-wheel assembly between the caster fork or the caster-pivot arm ([Figure 108](#)).



**Figure 108**

- |                 |                   |
|-----------------|-------------------|
| 1. Caster wheel | 3. Bearing        |
| 2. Caster fork  | 4. Bearing spacer |

2. Grasp the caster wheel and slide the bolt out of the fork or pivot arm ([Figure 108](#)).
3. Remove the bearing from the wheel hub and allow the bearing spacer to fall out ([Figure 108](#)).
4. Remove the bearing from the opposite side of the wheel hub ([Figure 108](#)).
5. Check the bearings, spacer, and inside of the wheel hub for wear.

**Note:** Replace any damaged parts.

6. To assemble the caster wheel, push the bearing into the wheel hub.

**Note:** When installing the bearings, press on the outer race of the bearing.

7. Slide the bearing spacer into the wheel hub and push the other bearing into the open end of the wheel hub to captivate the bearing spacer inside the wheel hub.
8. Install the caster-wheel assembly between the caster fork and secure it in place with the bolt and locknut.

# Blade Maintenance

## Blade Safety

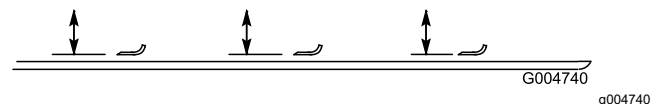
- Inspect the blade periodically for wear or damage.
- Use care when checking the blades. Wrap the blades or wear gloves, and use caution when servicing the blades. Only replace or sharpen the blades; never straighten or weld them.
- On multi-bladed machines, take care as rotating one blade can cause other blades to rotate.

## Checking for a Bent Blade

After striking a foreign object, inspect the machine for damage and make repairs before restarting and operating the equipment. Torque all the spindle-pulley nuts to 176 to 203 N·m (130 to 150 ft-lb).

1. Raise the cutting unit.
2. Perform the pre-maintenance procedure; refer to [Pre-Maintenance Procedures](#) (page 52).
3. Block the cutting unit to prevent it from accidentally falling.
4. Rotate the blade until the ends face forward and backward, and measure from the inside of the cutting unit to the cutting edge at the front of the blade ([Figure 109](#)).

**Note:** Record this dimension.



**Figure 109**

5. Rotate the opposite end of the blade forward and measure between the cutting unit and cutting edge of the blade at the same position as in step 4.

**Note:** The difference between the dimensions obtained in steps 4 and 5 must not exceed 3 mm (1/8 inch). If the dimension exceeds 3 mm (1/8 inch), the blade is bent and must be replaced; refer to [Removing and Installing the Cutting-Unit Blade\(s\)](#) (page 82).

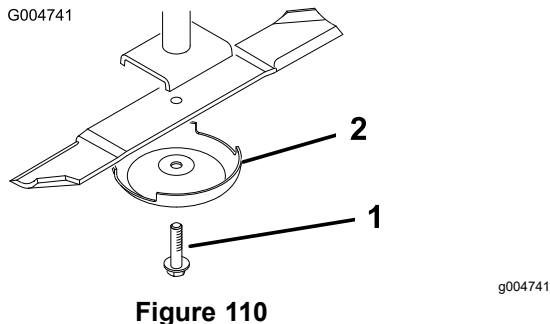
## Removing and Installing the Cutting-Unit Blade(s)

Replace the blade if it hits a solid object, is out of balance, or is bent. Always use genuine Toro replacement blades to ensure safety and optimum performance.

1. Park the machine on a level surface, raise the cutting unit to the transport position, engage the parking brake, shut off the engine, and remove the key.

**Note:** Block the cutting unit to prevent it from accidentally falling.

2. Grasp the end of the blade using a rag or thickly-padded glove.
3. Remove the blade bolt, anti-scalp cup, and blade from the spindle shaft (Figure 110).



1. Blade bolt
2. Anti-scalp cup

4. Install the blade, anti-scalp cup, and blade bolt and tighten the blade bolt to 115 to 149 N·m (85 to 110 ft-lb).

**Important:** The curved part of the blade must be pointing toward the inside of the cutting unit to ensure proper cutting.

**Note:** After striking a foreign object, torque all spindle-pulley nuts to 115 to 149 N·m (85 to 110 ft-lb).

## Inspecting and Sharpening a Blade

**Service Interval:** After the first 10 hours

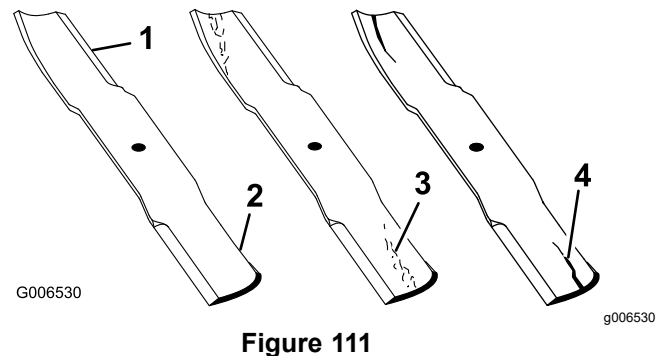
Every 50 hours

Before each use or daily

Both cutting edges and the sail, which is the turned-up portion opposite of the cutting edge, contribute to a good quality of cut. The sail lifts the grass up straight, thereby producing an even cut. However, the sail gradually wears down during operation, degrading the quality of cut, although the cutting edges remain sharp. The cutting edge of the blade must be sharp so that the grass is cut, not torn. A cutting edge is dull when the tips of the grass appear brown and shredded. Sharpen the cutting edges to correct this condition.

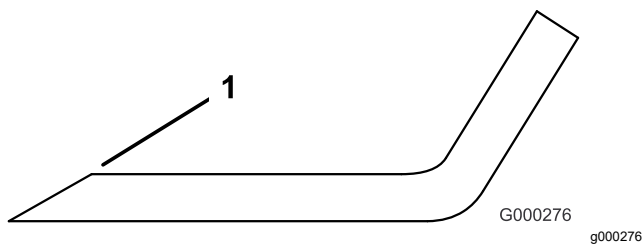
1. Position the machine on a level surface, raise the cutting unit, engage the parking brake, put the traction pedal in NEUTRAL, ensure that the PTO switch is in the OFF position, shut off the engine, and remove the key.
2. Examine the cutting ends of the blade carefully (especially where the flat and curved parts of the blade meet) as shown in Figure 111.

**Note:** Since sand and abrasive material can wear away the metal that connects the flat and curved parts of the blade, check the blade before using the mower. If you notice wear, replace the blade (Figure 111).



1. Cutting edge
2. Curved area
3. Wear/slot forming
4. Crack

3. Examine the cutting edges of all of the blades.
4. Sharpen the cutting edges if they are dull or nicked (Figure 112).



**Figure 112**

1. Sharpen at the original angle.

**Note:** Sharpen only the top of the cutting edge and maintain the original cutting angle to ensure the sharpness.

**Note:** The blade will remain balanced if the same amount of metal is removed from both cutting edges.

**Note:** Remove the blades and sharpen them on a grinder. After sharpening the cutting edges, install the blade with the anti-scalp cup and blade bolt; refer to [Removing and Installing the Cutting-Unit Blade\(s\)](#) (page 82).

## Correcting a Cutting-Unit Mismatch

When there is mismatch between the blades on a single cutting unit, the grass appears streaked when it is cut. You can correct this problem by ensuring that the blades are straight.

1. Using a 1 m (3 ft) long carpenter's level, find a level surface on the shop floor.
2. Raise the height-of-cut to the highest position; refer to [Adjusting the Height of Cut](#) (page 29).
3. Lower the cutting unit onto a flat surface and remove the covers from the top of the cutting unit.
4. Rotate the blades until the ends face forward and backward.
5. Measure from the floor to the front tip of the cutting edge. Record this condition.
6. Rotate the same blade so that the opposite end is forward and measure it again.

**Note:** The difference between the dimensions must not exceed 3 mm (1/8 inch). If the dimension exceeds 3 mm (1/8 inch), replace the blade, as it is bent. Measure all the blades.

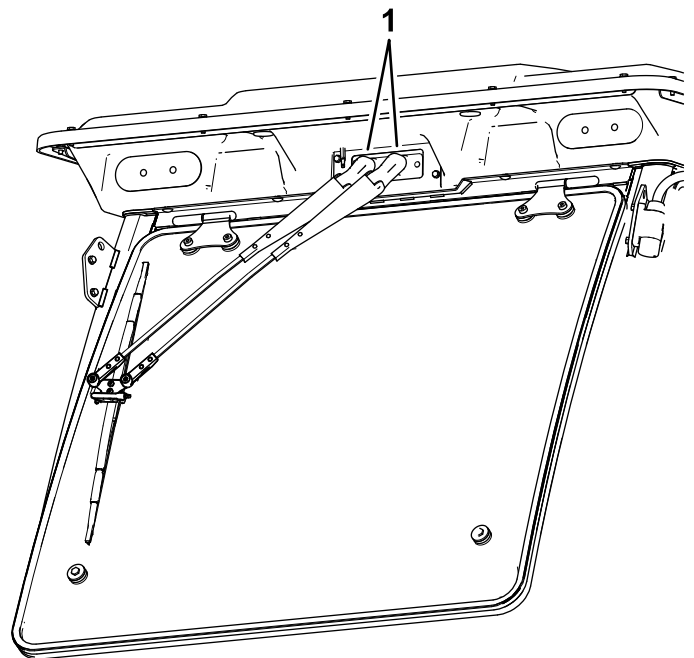
7. Ensure that the deck is level from side to side and adjust as required.
8. Install the belt covers.

## Cab Maintenance

### Tightening the Wiper Blade Arms

**Note:** Check and tighten the wiper blades after 30 hours of operation.

1. Open the caps at the top of the wiper arms ([Figure 113](#)).
2. Torque the top fasteners of the wiper blade arms to 23.1 N•m (17ft-lb).
3. Close the caps.

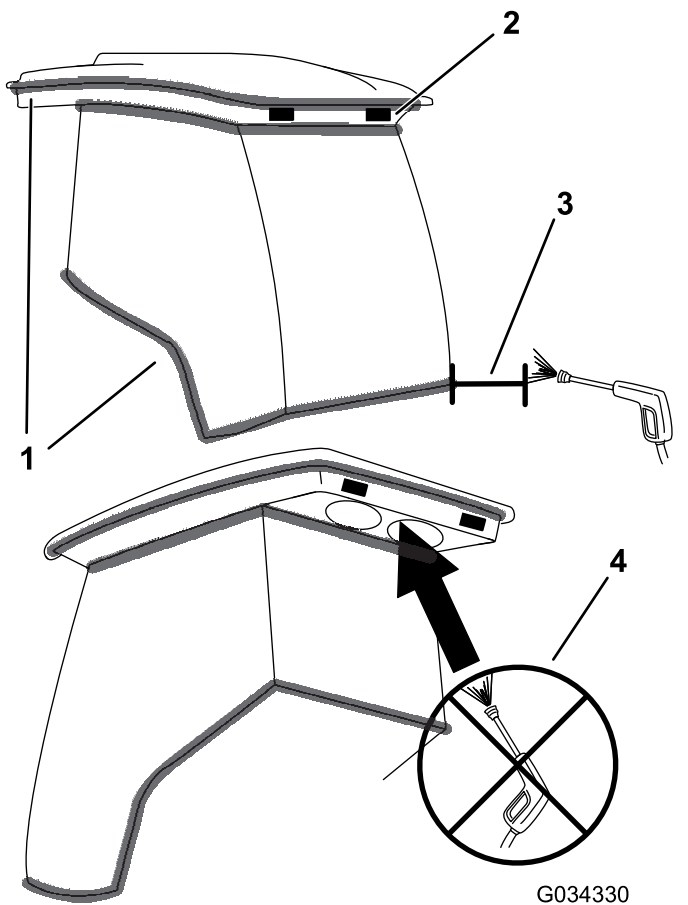


**Figure 113**

1. Cap

### Cleaning the Cab

**Important:** Use care around the cab seals and lights ([Figure 114](#)). If you are using a pressure washer, keep the washer wand at least 0.6 m (2 ft) away from the machine. Do not use the pressure washer directly on the cab seals and lights or under the rear overhang.



G034330  
g034330

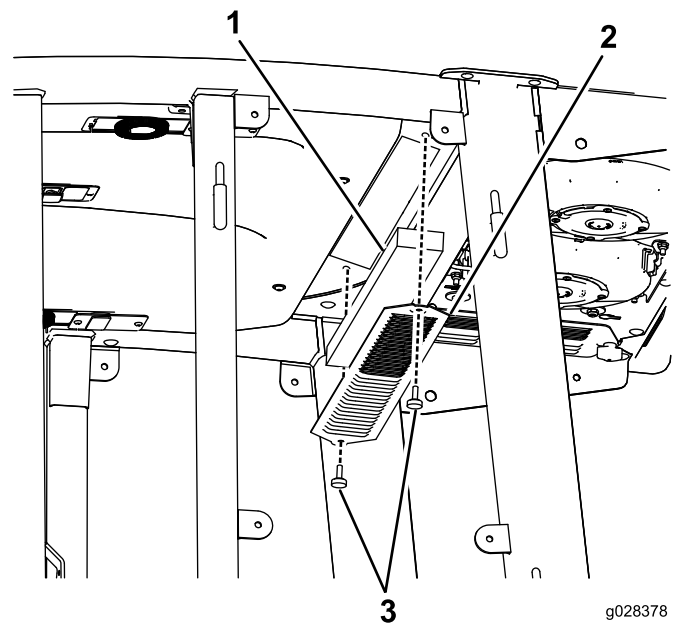
**Figure 114**

1. Seal
2. Light
3. Keep wand 0.6 m (2 ft) away.
4. Do not pressure-wash under the rear overhang.

## Cleaning the Cab Air Filters

**Service Interval:** Every 250 hours

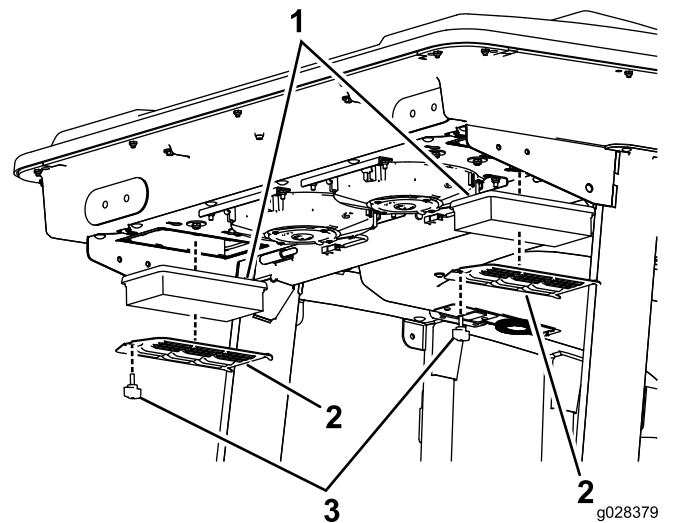
1. Remove the screws and grates from both the in-cab and rear cab air filters ([Figure 115](#) and [Figure 116](#)).



g028378  
g028378

**Figure 115**  
In-Cab Air Filter

1. Filter
2. Grate
3. Screw



g028379  
g028379

**Figure 116**  
Rear Cab Air Filter

1. Filter
2. Grate
3. Screw

2. Clean the filters by blowing clean, oil-free, compressed air through them.

**Important:** If either filter has a hole, tear, or other damage, replace the filter.

3. Install the filters and the grate with the thumbscrews.

# Cleaning the Cab Pre-Filter

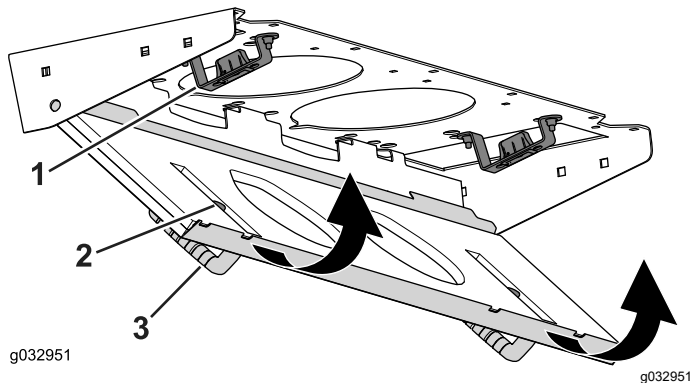
The cab pre-filter prevents large debris, such as grass and leaves, from entering the cab filters.

1. Rotate the screen cover down.
2. Clean the filter with water.

**Important:** Do not use a pressure washer.

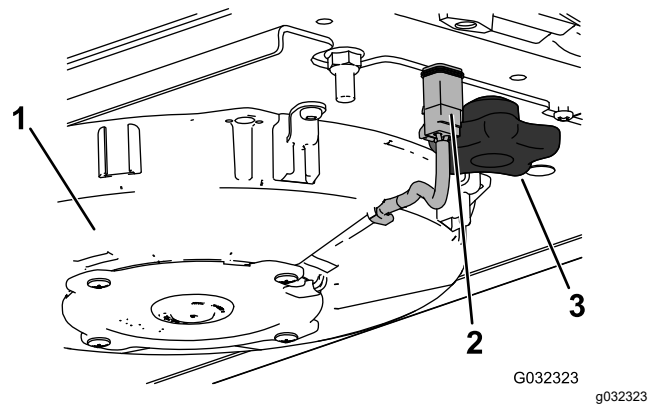
**Note:** If the filter has a hole, tear, or other damage, replace the filter.

3. Allow the pre-filter to dry before installing it into the machine.
4. Rotate the filter screen around the tabs until the latch locks into the latch-mount assembly ([Figure 117](#)).



**Figure 117**

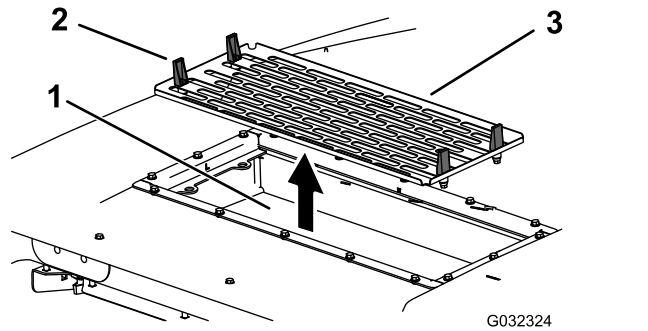
1. Latch-mount assembly
2. Latch
3. Screen cover



**Figure 118**  
Right fan shown

1. Fan
2. Wire
3. Knob

2. Remove the 2 knobs and remove the fan assembly.
3. Open the 4 latches on the air-conditioning assembly and remove the screen.



**Figure 119**

1. Air-conditioning coil
2. Latch
3. Air-conditioning screen

# Cleaning the Air-Conditioning Assembly

**Service Interval:** Every 250 hours (more frequently in extremely dusty or dirty conditions).

1. Disconnect the wire for each fan.

4. Remove the air filters (see [Figure 116](#)).
5. Clean the air-conditioning assembly.
6. Install the air filters, screen, and fan assembly ([Figure 116](#), [Figure 118](#), and [Figure 119](#)).
7. Connect the wire for each fan ([Figure 118](#)).

# Storage

## Storage Safety

- Shut off the engine, remove the key, and wait for all movement to stop before you leave the operator's position. Allow the machine to cool before adjusting, servicing, cleaning, or storing it.
- Do not store the machine or fuel container where there is an open flame, spark, or pilot light, such as on a water heater or other appliance.

## Preparing the Machine for Storage

**Important:** Do not use brackish or reclaimed water to clean the machine.

### Preparing the Traction Unit

1. Thoroughly clean the traction unit, cutting units, and engine.
2. Check the tire pressure. Inflate all traction unit tires to 83 to 103 kPa (12 to 15 psi).
3. Check all fasteners for looseness and tighten them as necessary.
4. Grease all grease fittings and pivot points. Wipe up any excess lubricant.
5. Lightly sand and use touch-up paint on painted areas that are scratched, chipped, or rusted. Repair any dents in the metal body.
6. Service the battery and cables as follows:
  - A. Remove the battery terminals from the battery posts.

**Note:** Always disconnect the negative terminal first and the positive last. Always connect the positive terminal first and the negative last.
  - B. Clean the battery, terminals, and posts with a wire brush and baking soda solution.
  - C. Coat the cable terminals and battery posts with Grafo 112X skin-over grease (Part Number 505-47) or petroleum jelly to prevent corrosion.
  - D. Slowly recharge the battery every 60 days for 24 hours to prevent lead sulfation of the battery.

2. Remove and discard the oil filter. Install a new oil filter.
3. Refill the oil pan with designated quantity of motor oil.
4. Turn the key in the switch to the ON position, start the engine, and run it at idle speed for approximately 2 minutes.
5. Turn the key in the switch to the OFF position.
6. Thoroughly drain all fuel from the fuel tank, lines, and the fuel filter/water separator assembly.
7. Flush the fuel tank with fresh, clean diesel fuel.
8. Secure all fuel-system fittings.
9. Thoroughly clean and service the air-cleaner assembly.
10. Seal the air-cleaner inlet and the exhaust outlet with weatherproof tape.
11. Check the antifreeze protection and add as needed for expected minimum temperature in your area.

### Preparing the Engine

1. Drain the engine oil from the oil pan and replace the drain plug.

# California Proposition 65 Warning Information

## What is this warning?

You may see a product for sale that has a warning label like the following:



**WARNING: Cancer and Reproductive Harm—[www.p65Warnings.ca.gov](http://www.p65Warnings.ca.gov).**

## What is Prop 65?

Prop 65 applies to any company operating in California, selling products in California, or manufacturing products that may be sold in or brought into California. It mandates that the Governor of California maintain and publish a list of chemicals known to cause cancer, birth defects, and/or other reproductive harm. The list, which is updated annually, includes hundreds of chemicals found in many everyday items. The purpose of Prop 65 is to inform the public about exposure to these chemicals.

Prop 65 does not ban the sale of products containing these chemicals but instead requires warnings on any product, product packaging, or literature with the product. Moreover, a Prop 65 warning does not mean that a product is in violation of any product safety standards or requirements. In fact, the California government has clarified that a Prop 65 warning "is not the same as a regulatory decision that a product is 'safe' or 'unsafe.'" Many of these chemicals have been used in everyday products for years without documented harm. For more information, go to <https://oag.ca.gov/prop65/faqs-view-all>.

A Prop 65 warning means that a company has either (1) evaluated the exposure and has concluded that it exceeds the "no significant risk level"; or (2) has chosen to provide a warning based on its understanding about the presence of a listed chemical without attempting to evaluate the exposure.

## Does this law apply everywhere?

Prop 65 warnings are required under California law only. These warnings are seen throughout California in a wide range of settings, including but not limited to restaurants, grocery stores, hotels, schools, and hospitals, and on a wide variety of products. Additionally, some online and mail order retailers provide Prop 65 warnings on their websites or in catalogs.

## How do the California warnings compare to federal limits?

Prop 65 standards are often more stringent than federal and international standards. There are various substances that require a Prop 65 warning at levels that are far lower than federal action limits. For example, the Prop 65 standard for warnings for lead is 0.5 µg/day, which is well below the federal and international standards.

## Why don't all similar products carry the warning?

- Products sold in California require Prop 65 labelling while similar products sold elsewhere do not.
- A company involved in a Prop 65 lawsuit reaching a settlement may be required to use Prop 65 warnings for its products, but other companies making similar products may have no such requirement.
- The enforcement of Prop 65 is inconsistent.
- Companies may elect not to provide warnings because they conclude that they are not required to do so under Prop 65; a lack of warnings for a product does not mean that the product is free of listed chemicals at similar levels.

## Why does Toro include this warning?

Toro has chosen to provide consumer with as much information as possible so that they can make informed decisions about the products they buy and use. Toro provides warnings in certain cases based on its knowledge of the presence of one or more listed chemicals without evaluating the level of exposure, as not all the listed chemical provide exposure limit requirements. While the exposure from Toro products may be negligible or well within the "no significant risk" range, out of an abundance of caution, Toro has elected to provide the Prop 65 warnings. Moreover, if Toro does not provide these warnings, it could be sued by the State of California or by private parties seeking to enforce Prop 65 and subject to substantial penalties.