



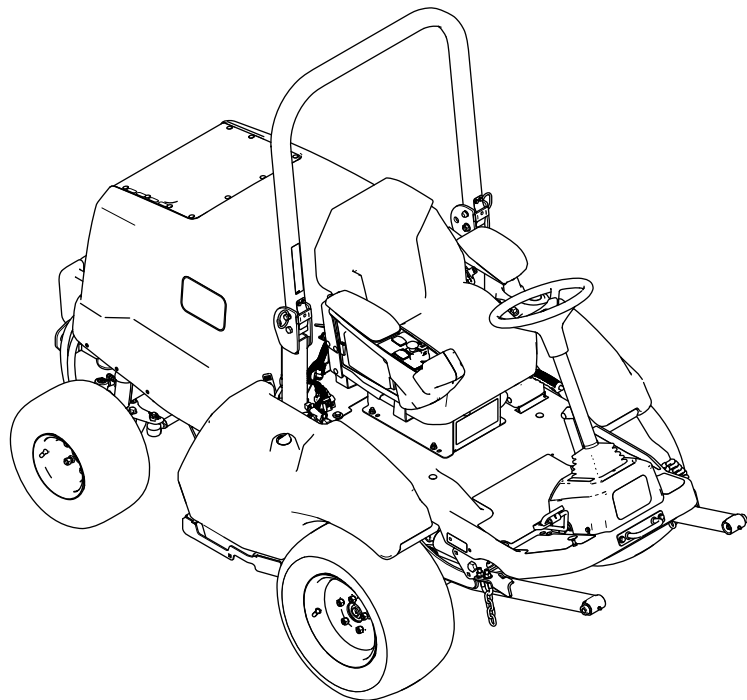
Count on it.

Operator's Manual

Groundsmaster® 3200 2-Wheel Drive Traction Unit

Model No. 31900A—Serial No. 418200000 and Up

Model No. 31907A—Serial No. 418200000 and Up



Models 31900A and 31901A comply with all relevant European directives; for details, please see the separate product specific Declaration of Conformity (DOC) sheet.

Models 31907A and 31909A do not comply with relevant European directives.

It is a violation of California Public Resource Code Section 4442 or 4443 to use or operate the engine on any forest-covered, brush-covered, or grass-covered land unless the engine is equipped with a spark arrester, as defined in Section 4442, maintained in effective working order or the engine is constructed, equipped, and maintained for the prevention of fire.

The enclosed engine owner's manual is supplied for information regarding the US Environmental Protection Agency (EPA) and the California Emission Control Regulation of emission systems, maintenance, and warranty. Replacements may be ordered through the engine manufacturer.

If this machine is equipped with a telematics device, refer to your authorized Toro distributor for instructions to activate the device.

⚠ WARNING

CALIFORNIA
Proposition 65 Warning

Diesel engine exhaust and some of its constituents are known to the State of California to cause cancer, birth defects, and other reproductive harm.

Battery posts, terminals, and related accessories contain lead and lead compounds, chemicals known to the State of California to cause cancer and reproductive harm. Wash hands after handling.

Use of this product may cause exposure to chemicals known to the State of California to cause cancer, birth defects, or other reproductive harm.

Introduction

This machine is a ride-on, multi-purpose machine intended to be used by professional, hired operators in commercial applications. It is primarily designed for maintaining grass on well-maintained lawns in parks, sports fields, and on commercial grounds. Using this product for purposes other than its intended use could prove dangerous to you and bystanders.

Read this information carefully to learn how to operate and maintain your product properly and to avoid injury and product damage. You are responsible for operating the product properly and safely.

Visit www.Toro.com for product safety and operation training materials, accessory information, help finding a dealer, or to register your product.

Whenever you need service, genuine Toro parts, or additional information, contact an Authorized Service Dealer or Toro Customer Service and have the model and serial numbers of your product ready. **Figure 1** identifies the location of the model and serial numbers on the product. Write the numbers in the space provided.

Important: With your mobile device, you can scan the QR code on the serial number decal (if equipped) to access warranty, parts, and other product information.

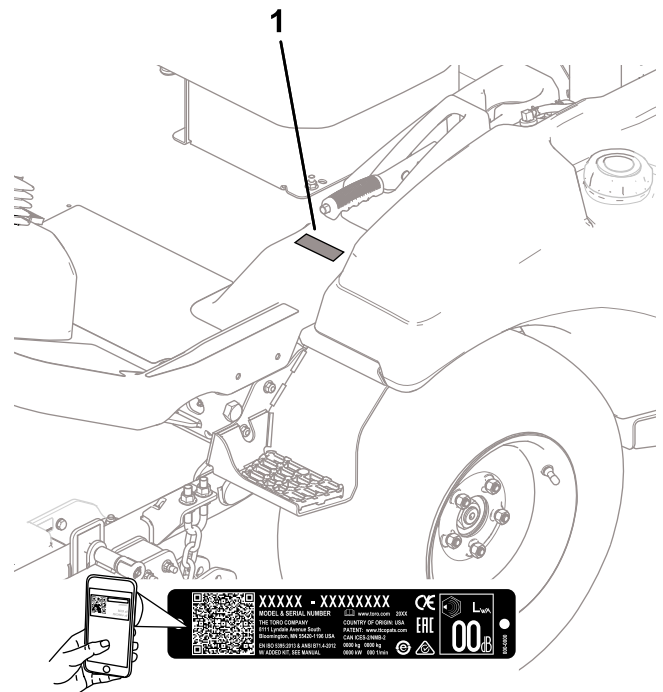


Figure 1

g299536

Model No. _____
Serial No. _____

This manual identifies potential hazards and has safety messages identified by the safety-alert symbol (Figure 2), which signals a hazard that may cause serious injury or death if you do not follow the recommended precautions.



Figure 2
Safety-alert symbol

g000502

This manual uses 2 words to highlight information. **Important** calls attention to special mechanical information and **Note** emphasizes general information worthy of special attention.

Contents

Safety	4
General Safety	4
Safety and Instructional Decals	5
Setup	12
1 Removing the Machine from the Shipping Container	13
2 Installing the Rear Tires	13
3 Removing the Front Tires	14
4 Installing the Lift-Arm Assembly	15
5 Installing the Front Tires	16
6 Installing the Tie-Down Bracket	17
7 Installing the Seat	17
8 Installing the Steering Wheel	18
9 Installing the Sound Decal	18
10 Installing the Bumper	19
11 Adjusting the Roll-Bar Position	20
12 Connecting the Battery	20
13 Installing the Attachment	20
14 Adjusting the Sensor Bracket	22
15 Checking the Fluid Levels	22
16 Checking the Tire Pressure	22
17 Installing the CE Kit	22
18 Adding Rear Weight	23
19 Adjusting the Weight Transfer of the Attachment	29
Product Overview	30
Controls	31
Console	32
Cab Controls	33
Specifications	34


Width Specifications	35
Attachments/Accessories	35
Before Operation	36
Before Operation Safety	36
Checking the Machine Daily	36
Checking the Tire Air Pressure	36
Adding Fuel	37
Checking the Safety-Interlock System	38
Adjusting the Roll Bar	38
Understanding the Display-Screen Information	40
During Operation	42
During Operation Safety	42
Starting the Engine	43
Resetting the PTO Function	44
Understanding Turnaround Mode	44
Shutting Off the Engine	44
After Operation	44
After Operation Safety	44
Servicing the Cutting Unit	44
Towing the Machine	46
Hauling the Machine	47
Maintenance	48
Maintenance Safety	48
Recommended Maintenance Schedule(s)	48
Daily Maintenance Checklist	49
Pre-Maintenance Procedures	50
Raising the Machine	50
Raising the Hood	51
Lubrication	52
Greasing the Bearings and Bushings	52
Engine Maintenance	54
Engine Safety	54
Servicing the Engine Oil	54
Servicing the Air Cleaner	56
Fuel System Maintenance	57
Draining Water from the Fuel/Water Separator	57
Servicing the Fuel/Water Separator	57
Servicing the Fuel Filter	58
Cleaning the Fuel Tank	59
Inspecting the Fuel Lines and Connections	59
Electrical System Maintenance	59
Electrical System Safety	59
Accessing the Battery	59
Disconnecting the Battery	60
Connecting the Battery	60
Removing or Installing the Battery	61
Checking the Battery Condition	61
Locating the Fuses	61
Drive System Maintenance	63
Torquing the Wheel-Lug Nuts	63
Aligning the PTO Driveshaft	63
Cooling System Maintenance	64
Cooling System Safety	64
Coolant Specification	64

Safety

General Safety

This product is capable of amputating hands and feet and of throwing objects. Always follow all safety instructions to avoid serious personal injury.

- Read and understand the contents of this *Operator's Manual* before starting the engine.
- Use your full attention while operating the machine. Do not engage in any activity that causes distractions; otherwise, injury or property damage may occur.
- Do not operate the machine without all guards and other safety protective devices in place and functioning properly on the machine.
- Keep your hands and feet away from rotating parts. Keep clear of the discharge opening.
- Keep bystanders and children out of the operating area. Never allow children to operate the machine.
- Shut off the engine, remove the key, and wait for all movement to stop before you leave the operator's position. Allow the machine to cool before adjusting, servicing, cleaning, or storing it.

Improperly using or maintaining this machine can result in injury. To reduce the potential for injury, comply with these safety instructions and always pay attention to the safety-alert symbol , which means Caution, Warning, or Danger—personal safety instruction. Failure to comply with these instructions may result in personal injury or death.

Checking the Cooling System and Coolant Level	64
Checking the Hood-Air-Intake Screen.....	65
Checking the Cooling Fins	65
Inspecting the Cooling-System Hoses	65
Brake Maintenance	66
Checking and Adjusting the Parking Brake	66
Belt Maintenance	67
Checking the Alternator-Belt Tension.....	67
Servicing the Traction Belt	67
Controls System Maintenance	68
Adjusting the PTO-Clutch Gap.....	68
Adjusting the Traction-Pedal Stop.....	68
Hydraulic System Maintenance	70
Hydraulic System Safety.....	70
Hydraulic Fluid Specifications	70
Checking the Hydraulic-Fluid Level.....	70
Changing the Hydraulic Fluid and Filters	71
Checking the Hydraulic Lines and Hoses.....	72
Cab Maintenance	73
Cleaning the Cab	73
Cleaning the Cab Air Filters	73
Cleaning the Cab-Condenser Filter.....	73
Replacing the Dome Light.....	74
Filling the Windshield-Wiper-Fluid Reservoir	74
Storage	75
Storage Safety.....	75
Preparing the Machine.....	75

Safety and Instructional Decals



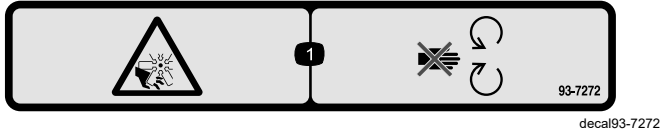
Safety decals and instructions are easily visible to the operator and are located near any area of potential danger. Replace any decal that is damaged or missing.



Battery Symbols

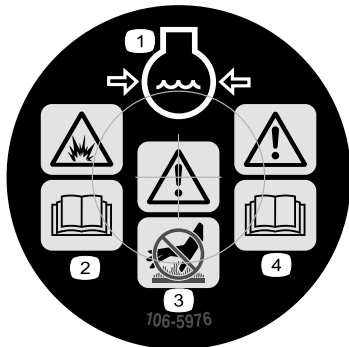
Some or all of these symbols are on your battery.

- | | |
|--|--|
| 1. Explosion hazard | 6. Keep bystanders away. |
| 2. No fire, open flames, or smoking | 7. Wear eye protection—explosive gases can cause blindness and other injuries. |
| 3. Caustic liquid/chemical burn hazard | 8. Battery acid can cause severe burns. |
| 4. Wear eye protection. | 9. Flush eyes immediately with water and get medical help fast. |
| 5. Read the <i>Operator's Manual</i> . | 10. Contains lead; do not discard. |



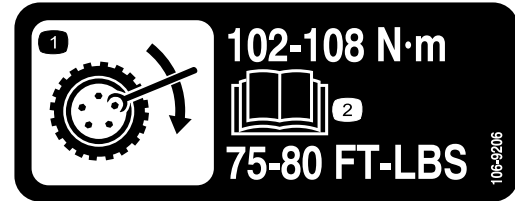
93-7272

1. Cutting/dismemberment hazard; fan—stay away from moving parts.



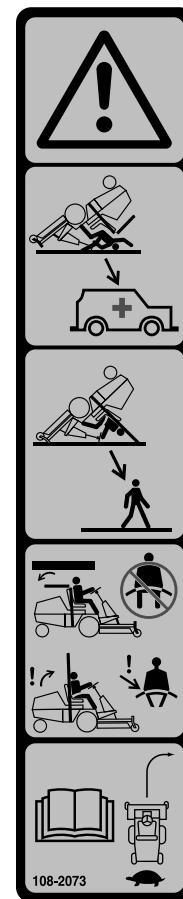
106-5976

- | | |
|---|--|
| 1. Engine coolant under pressure | 3. Warning—do not touch the hot surface. |
| 2. Explosion hazard—read the <i>Operator's Manual</i> . | 4. Warning—read the <i>Operator's Manual</i> . |



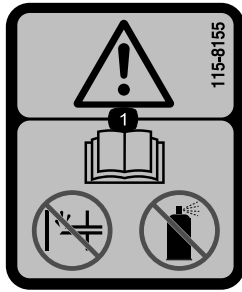
106-9206

1. Wheel torque specifications
2. Read the *Operator's Manual*.



108-2073

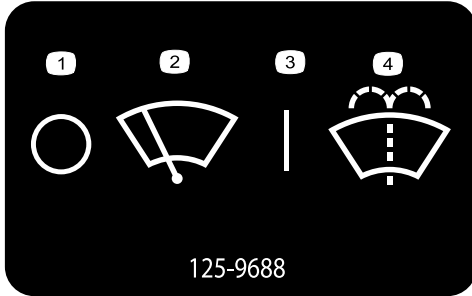
1. Warning—there is no rollover protection when the roll bar is down.
2. To avoid injury or death from a rollover accident, keep the roll bar in the raised and locked position and wear the seat belt. Lower the roll bar only when absolutely necessary; do not wear the seat belt when the roll bar is down.
3. Read the *Operator's Manual*; drive slowly and carefully.



115-8155

decal115-8155

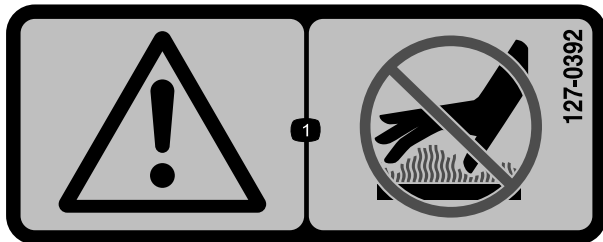
1. Warning—read the *Operator's Manual*, do not prime or use starting fluid.



125-9688

decal125-9688

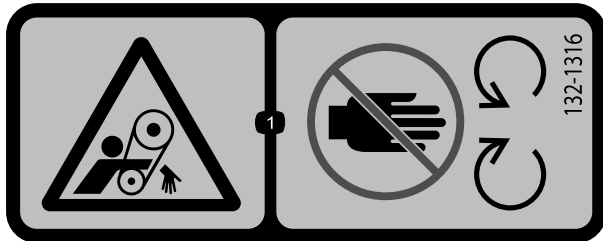
- | | |
|----------------------|-----------------------------------|
| 1. Off | 3. On |
| 2. Windshield wipers | 4. Spray windshield washer fluid. |



127-0392

decal127-0392

1. Warning—stay away from hot surfaces.



132-1316

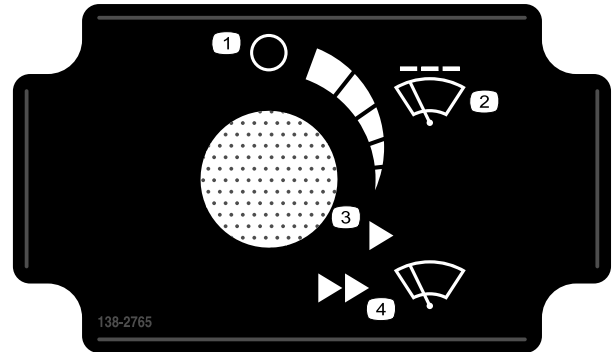
decal132-1316

1. Entanglement hazard, belt—keep away from moving parts.



133-8062

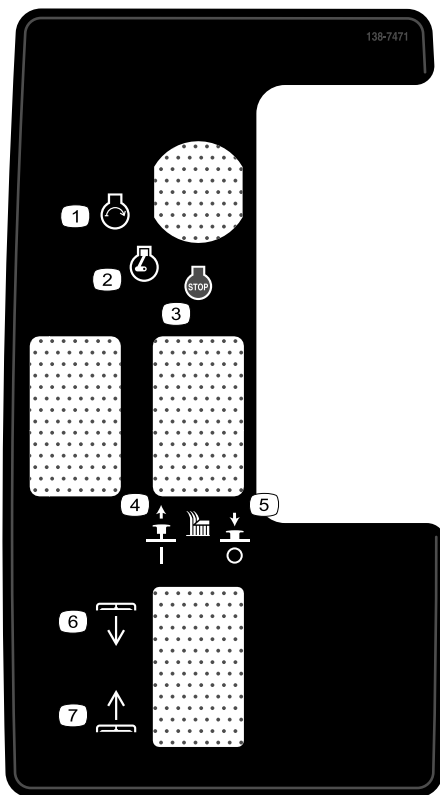
decal133-8062



138-2765

decal138-2765

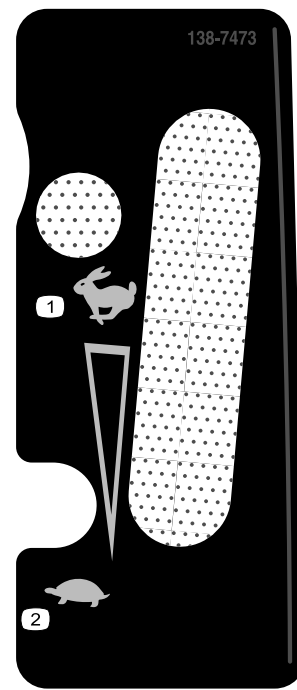
- | | |
|--|---------------------------------|
| 1. Off | 3. Fixed speed—low |
| 2. Intermittent windshield wiper speed | 4. Fixed speed—high wiper speed |



138-7471

decal138-7471

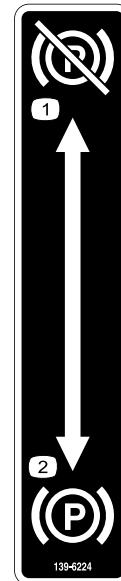
- | | |
|---|--|
| 1. Engine—start | 5. Push down to disengage the cutting blade. |
| 2. Engine—run | 6. Deck—lower |
| 3. Engine—stop | 7. Deck—raise |
| 4. Lift up to engage the cutting blade. | |



138-7473

decal138-7473

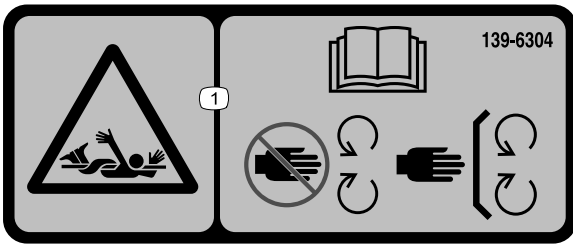
- | | |
|---------|---------|
| 1. Fast | 2. Slow |
|---------|---------|



139-6224

decal139-6224

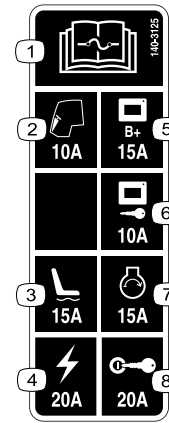
- | | |
|-----------------------------|--------------------------|
| 1. Parking brake—disengaged | 2. Parking brake—engaged |
|-----------------------------|--------------------------|



decal139-6304

139-6304

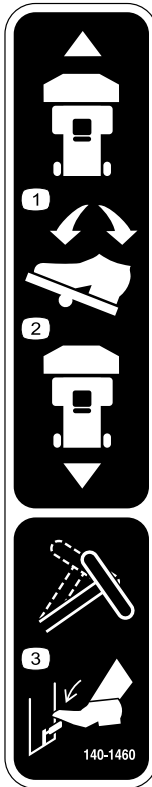
1. Entanglement hazard—read the *Operator's Manual*; stay away from moving parts; keep all guards and shields in place.



decal140-3125

140-3125

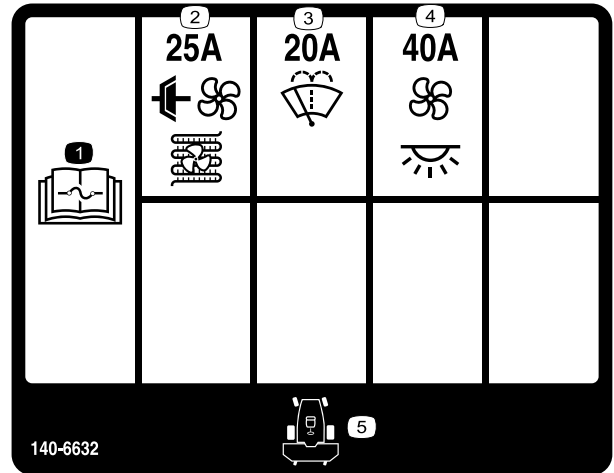
1. Read the *Operator's Manual* for fuse information.
2. Cab—10 A
3. Power seat—15 A
4. Power—20 A
5. Display screen power—15 A
6. Display screen key start—10 A
7. Engine start—15 A
8. Ignition—20 A



decal140-1460

140-1460

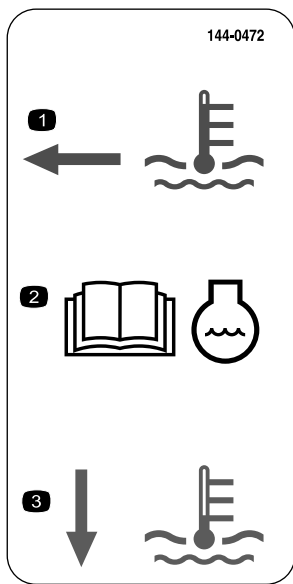
1. To move the machine forward, press forward on the pedal.
2. To move the machine backward, press backward on the pedal.
3. To adjust the steering wheel, press the tilt lever.



decal140-6632

140-6632

1. Read the *Operator's Manual* for fuse information.
2. A/C clutch and condenser fan (25 A)
3. Windshield washer (20 A)
4. Fan and interior light (40 A)
5. Front of machine



144-0472

decal144-0472

1. The coolant level is hot.
2. Read the *Operator's Manual* for coolant information.
3. The coolant level is cold.

1 **CHECK/SERVICE** **GM 3200 QUICK REFERENCE AID**

1. OIL LEVELS (ENGINE / HYDRAULIC)
2. COOLANT LEVEL
3. TIRE PRESSURE (20psi)
4. BELTS (FAN & HYD.)
5. FUEL - DIESEL ONLY
6. BATTERY
7. GREASE, LUBE POINTS
8. HOOD SCREEN
9. AIR CLEANER
10. ELECTRIC CLUTCH GAP .012"-.024"
11. FUEL/WATER SEPARATOR
12. FUEL FILTER
13. HYDRAULIC OIL FILTER
14. ENGINE OIL FILTER

FLUID SPECIFICATIONS
*See operator's manual for initial changes.

	CAPACITY	*CHANGE INTERVALS
ENGINE OIL	3.6 QT. (3.4 L)	OIL & FILTER 500 HRS.
HYDRAULIC OIL	25 QT. (2WD) 31.5 QT. (4WD)	FILTER 1000 HRS.
FUEL	12 GAL.	FILTER 400 HRS.
COOLANT	7 QT.	1500 HRS.
DRIVESHAFT GREASE	PURGE	WEEKLY

FILTERS **PART NO.**
 AIR 108-3811
 FUEL 134-3085
 FUEL/WATER 110-9049
 HYD. OIL 86-3010
 ENGINE OIL 135-4181

144-0518

144-0518

decal144-0518

1. Read the *Operator's Manual* for more information on servicing the machine.

1 **CHECK/SERVICE** **GM 3300/3310 QUICK REFERENCE AID**

1. OIL LEVELS (ENGINE / HYDRAULIC)
2. COOLANT LEVEL
3. TIRE PRESSURE (20psi)
4. BELTS (FAN & HYD.)
5. FUEL - DIESEL ONLY
6. BATTERY
7. GREASE, LUBE POINTS
8. HOOD SCREEN
9. AIR CLEANER
10. ELECTRIC CLUTCH GAP .012"-.024"
11. FUEL/WATER SEPARATOR
12. FUEL FILTER
13. HYDRAULIC OIL FILTER
14. ENGINE OIL FILTER

FLUID SPECIFICATIONS
*See operator's manual for initial changes.

	CAPACITY	*CHANGE INTERVALS
ENGINE OIL	7 QT. (6.6 L)	OIL & FILTER 500 HRS.
HYDRAULIC OIL	31.5 QT.	FILTER 1000 HRS.
FUEL	12 GAL.	FILTER 400 HRS.
COOLANT	7.25 QT.	1500 HRS.
DRIVESHAFT GREASE	PURGE	WEEKLY

FILTERS **PART NO.**
 AIR 108-3810
 FUEL 144-0453
 FUEL/WATER 125-2915
 HYD. OIL 86-3010
 ENGINE OIL 144-0607

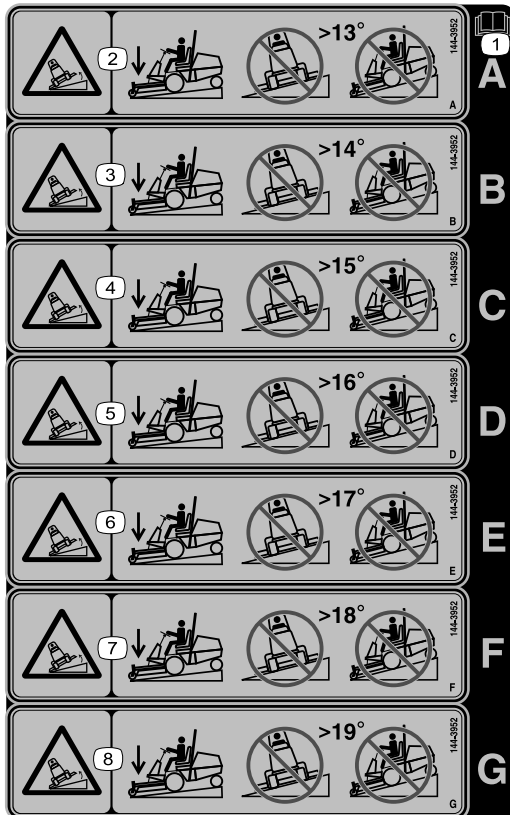
144-3950

144-3950

decal144-3950

1. Read the *Operator's Manual* for more information on servicing the machine.

Decal 144-3952: Affix over Decal 139-6215 (as shown in the CE Kit Installation Instructions) for use in CE-compliant countries (Models 31900 and 31901 only).

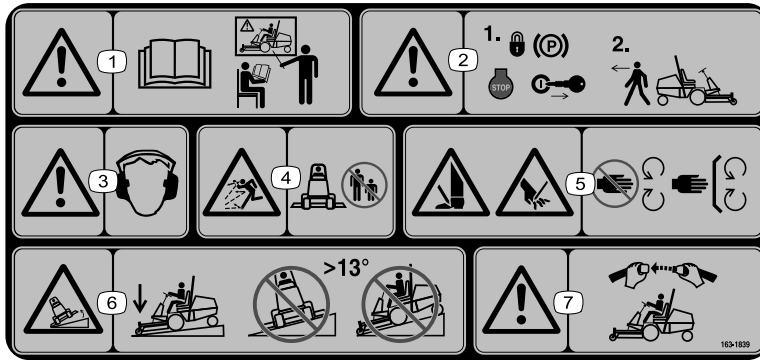


decal144-3952

144-3952

Note: This machine complies with the industry standard stability test in the static lateral and longitudinal tests with the maximum recommended slope indicated on the decal. Review the instructions for operating the machine on slopes in the *Operator's Manual* as well as the conditions in which you would operate the machine to determine whether you can operate the machine in the conditions on that day and at that site. Changes in the terrain can result in a change in slope operation for the machine.

- | | |
|--|--|
| 1. Read the <i>Operator's Manual</i> . | 5. Tipping hazard—do not mow across slopes greater than 16 degrees; do not mow up and down slopes greater than 16 degrees. |
| 2. Tipping hazard—do not mow across slopes greater than 13 degrees; do not mow up and down slopes greater than 13 degrees. | 6. Tipping hazard—do not mow across slopes greater than 17 degrees; do not mow up and down slopes greater than 17 degrees. |
| 3. Tipping hazard—do not mow across slopes greater than 14 degrees; do not mow up and down slopes greater than 14 degrees. | 7. Tipping hazard—do not mow across slopes greater than 18 degrees; do not mow up and down slopes greater than 18 degrees. |
| 4. Tipping hazard—do not mow across slopes greater than 15 degrees; do not mow up and down slopes greater than 15 degrees. | 8. Tipping hazard—do not mow across slopes greater than 19 degrees; do not mow up and down slopes greater than 19 degrees. |



decal163-1839

163-1839

Note: This machine complies with the industry standard stability test in the static lateral and longitudinal tests with the maximum recommended slope indicated on the decal. Review the instructions for operating the machine on slopes in the *Operator's Manual* as well as the conditions in which you would operate the machine to determine whether you can operate the machine in the conditions on that day and at that site. Changes in the terrain can result in a change in slope operation for the machine.

1. Warning—read the *Operator's Manual*; all operators should be trained before operating the machine.
2. Warning—engage the parking brake, shut off the machine, and remove the key before leaving the machine.
3. Warning—wear hearing protection.
4. Thrown object hazard—keep bystanders away.
5. Cutting/dismemberment hazard of hand or foot—stay away from moving parts; keep all guards and shields in place.
6. Tipping hazard—do not mow across slopes greater than 13 degrees; do not mow up and down slopes greater than 13 degrees.
7. Warning—always wear a seatbelt when operating the machine.

Setup

Loose Parts

Use the chart below to verify that all parts have been shipped.

Procedure	Description	Qty.	Use
1	No parts required	–	Remove the machine from the shipping container (Models 31900A, 31901A, and 31907A only).
2	Rear wheel Small washer (2-wheel-drive only) Large washer (2-wheel-drive only) Bolt (5/8 x 1-1/4 inch) (2-wheel-drive only) Dust cap (2-wheel-drive only) Lug nut (4-wheel-drive only) Thread-locking compound	2 2 2 2 2 8	Install the rear tires (Models 31900A, 31901A, and 31907A only).
3	No parts required	–	Remove the front tires (Models 31900A, 31901A, and 31907A only).
4	Right lift arm Left lift arm Large pin Bolt (3/8 x 2-3/4 inches) Nut (3/8 inch) Small pin Bolt (3/8 x 1-1/4 inches) Grease fitting	1 1 2 2 4 2 2 2	Install the lift-arm assembly (Models 31900A, 31901A, and 31907A only).
5	No parts required	–	Install the front tires (Models 31900A, 31901A, and 31907A only)
6	Tie-down bracket Bolt (3/8 x 3-1/4 inches) Nut (3/8 inch)	1 2 2	Install the tie-down bracket (Models 31900A, 31901A, and 31907A only).
7	Seat Kit (ordered separately; refer to your authorized Toro distributor)	1	Install the seat (Models 31900A, 31901A, and 31907A only).
8	Steering wheel Cover	1 1	Install the steering wheel (Models 31900A, 31901A, and 31907A only).
9	Sound decal (Part 144-0512)	1	Install the sound decal (Models 31907A and 31909A only).
10	Bumper Bolt (3/8 x 3 inches) Bolt (3/8 x 3-1/4 inches) Nut (3/8 inch)	1 2 4 6	Install the bumper (Models 31900A, 31901A, and 31907A only).
11	No parts required	–	Adjust the roll-bar position (Models 31900A, 31901A, and 31907A only).
12	No parts required	–	Connecting the battery (Models 31900A, 31901A, and 31907A only).

Procedure	Description	Qty.	Use
13	Optional attachment (ordered separately; refer to your authorized Toro distributor)	1	Install the attachment.
	Socket-head screw (3/8 inch)	2	
	Washer (3/8 inch)	2	
	Flange locknut (3/8 inch)	2	
14	No parts required	–	Adjust the sensor bracket.
15	No parts required	–	Check the fluid levels.
16	No parts required	–	Check the tire pressure.
17	CE Kit (ordered separately; refer to your authorized Toro distributor)	1	Installing the CE Kit (for use in CE-compliant countries).
18	Weight—19 kg (42 lb) [amount varies per your model]	1	Add rear weight (if necessary).
	Weight—6 kg (15 lb) [amount varies per your model]		
	Weight Bracket Kit (if necessary)		
	Weight—11 kg (25 lb) [amount varies per your model]		
19	No parts required	–	Adjust the weight-transfer pressure (if needed).

1

Removing the Machine from the Shipping Container

Models 31900A, 31901A, and 31907A Only

No Parts Required

Procedure

1. Remove the screws that hold down the rear-wheel hubs to the pallet.
2. Cut the cable tie that holds the driveshaft to the rear wheels.
3. Remove the rear wheels from the shipping skid.
4. Raise the roll bar; refer to [Raising the Roll Bar \(page 39\)](#).
5. Connect a hoist to the top, center area of the roll bar and raise the machine.
6. Remove the shipping skid from the bottom area of the machine.

7. Position 2 jack stands under the rear area of the machine shown in [Raising the Rear of the Machine \(page 51\)](#).
8. Lower the machine on the jack stands.

2

Installing the Rear Tires

Models 31900A, 31901A, and 31907A Only

Parts needed for this procedure:

2	Rear wheel
2	Small washer (2-wheel-drive only)
2	Large washer (2-wheel-drive only)
2	Bolt (5/8 x 1-1/4 inch) (2-wheel-drive only)
2	Dust cap (2-wheel-drive only)
8	Lug nut (4-wheel-drive only)
	Thread-locking compound

Procedure

- Remove the shipping bracket from the axle spindle or wheel hub and discard the bracket.
- Remove the tires from the shipping container and retain the 2 bolts (5/8 x 1-1/4 inch) and large washers that secured the tires to the container.
- Install each tire as follows:
 - 2-wheel-drive machines:**
 - Apply thread-locking compound to the bolt (5/8 x 1-1/4 inch).
 - Use a small washer, large washer, bolt (5/8 x 1-1/4 inch), and to secure the wheel to the axle spindle ([Figure 3](#)).

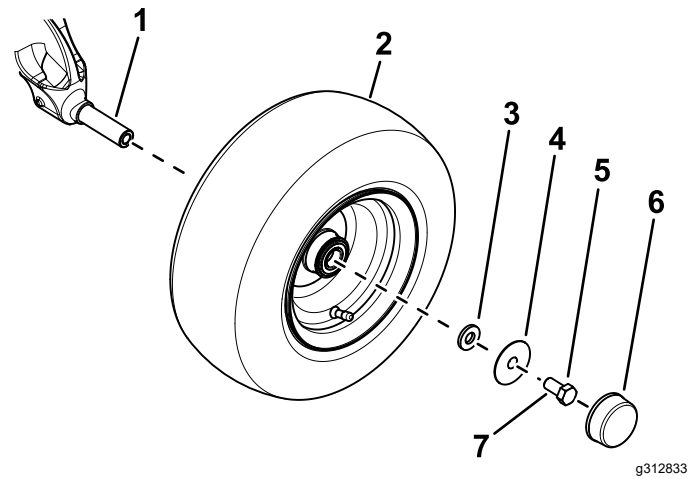


Figure 3

- Axle spindle
- Tire
- Small washer
- Large washer
- Bolt (5/8 x 1-1/4 inch)
- Dust cap
- Apply thread-locking compound to the bolt.

- Torque the bolt to 203 N·m (150 ft-lb).
- Install the dust cap to the wheel ([Figure 3](#)).

- 4-wheel-drive machines:** Use 4 lug nuts to secure the wheel to the wheel hub ([Figure 4](#)).

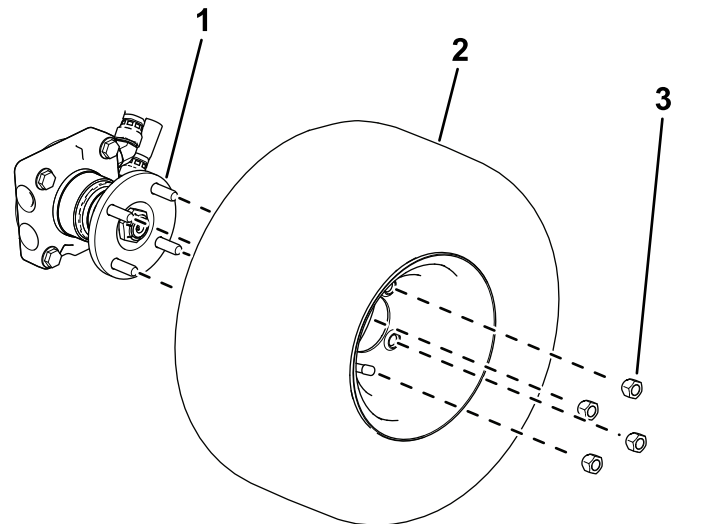


Figure 4

- Wheel hub
- Tire
- Lug nut

- Torque the wheel lug nuts; refer to [Torquing the Wheel-Lug Nuts \(page 63\)](#).

3

Removing the Front Tires

Models 31900A, 31901A, and 31907A Only

No Parts Required

Procedure

Note: You must perform this procedure to correctly install the lift arms.

1. Loosen and remove the wheel lug nuts (Figure 11).

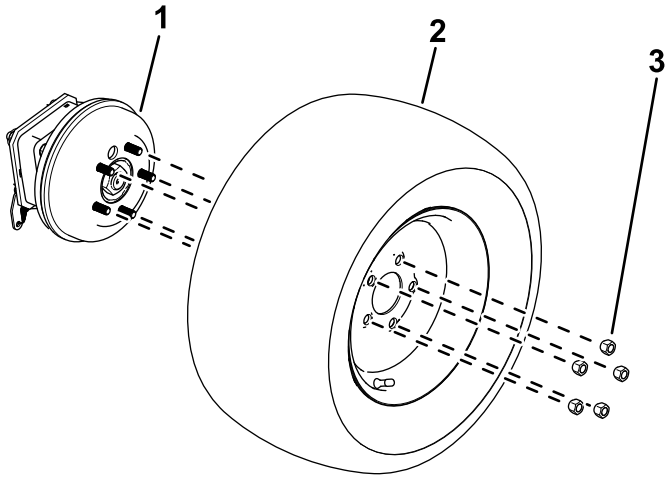


Figure 5

g299550

1. Wheel hub
2. Tire
3. Lug nut

2. Removed the wheels from the wheel hubs (Figure 11).

4

Installing the Lift-Arm Assembly

Models 31900A, 31901A, and 31907A Only

Parts needed for this procedure:

1	Right lift arm
1	Left lift arm
2	Large pin
2	Bolt (3/8 x 2-3/4 inches)
4	Nut (3/8 inch)
2	Small pin
2	Bolt (3/8 x 1-1/4 inches)
2	Grease fitting

Procedure

Note: Have an assistant help you to install the lift arms, as needed.

1. Remove the lift arms from the shipping skid.
2. Use 2 large pins to install the lift arms to the machine frame (Figure 6).

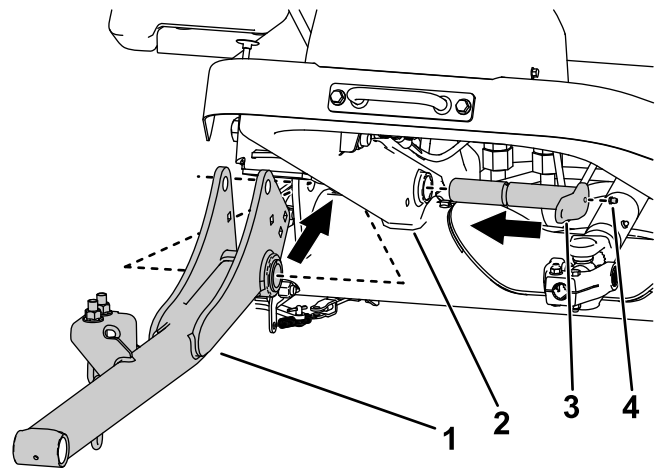


Figure 6

Right side shown.

g312023

1. Lift arm
2. Machine frame
3. Large pin
4. Grease fitting

3. Install the grease fittings to the large pins (Figure 6).

4. Use 2 nuts (3/8 inch) and 2 bolts (3/8 x 2-3/4 inches) to secure the large pins to the frame (Figure 7).

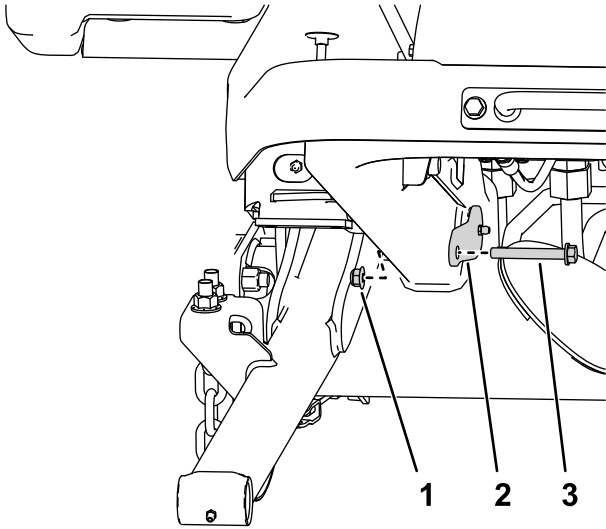


Figure 7

Right side shown.

- | | |
|--------------|---------|
| 1. Nut | 3. Bolt |
| 2. Large pin | |

g295767

5. Perform the following steps to secure the hydraulic cylinders to the lift arms:

- A. Place a drain pan under the hydraulic manifold (shown in Figure 8).

Note: You must bleed a small amount of hydraulic fluid in order to manually retract the lift cylinders.

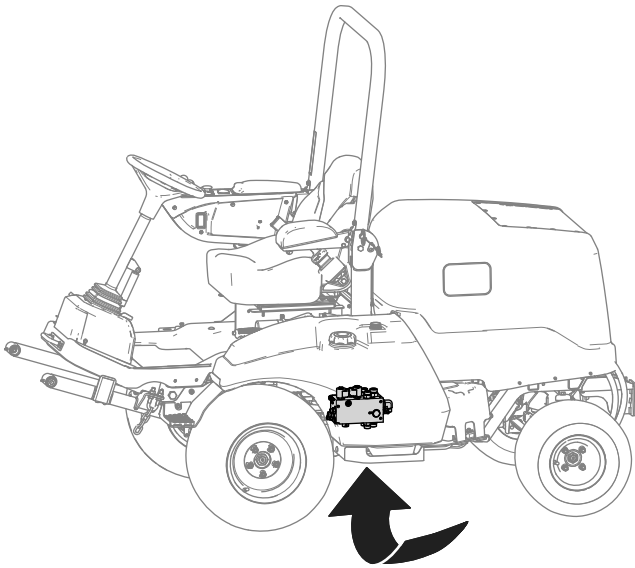


Figure 8

g299920

- B. Loosen the hose swivel nut connected to port C1 of the hydraulic manifold (Figure 9).

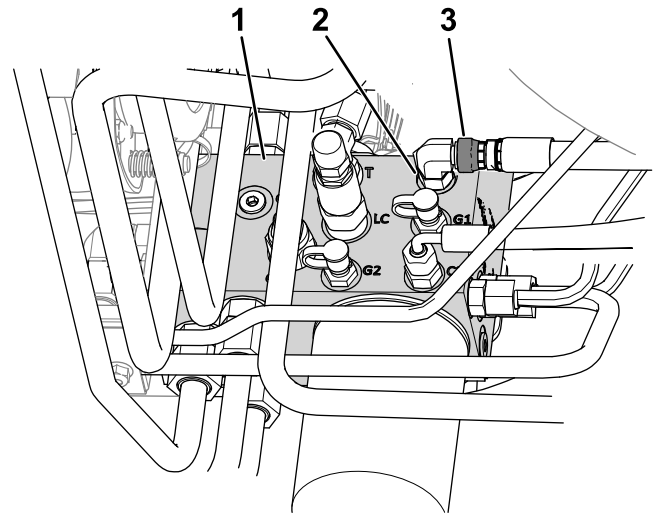


Figure 9

g312025

- | | |
|-------------|--------------------|
| 1. Manifold | 3. Hose swivel nut |
| 2. Port C1 | |

- C. Use a drift punch to align the cylinder rod holes with the lift-arm holes (Figure 10).

Note: Fully raise the lift arm to help with the alignment.

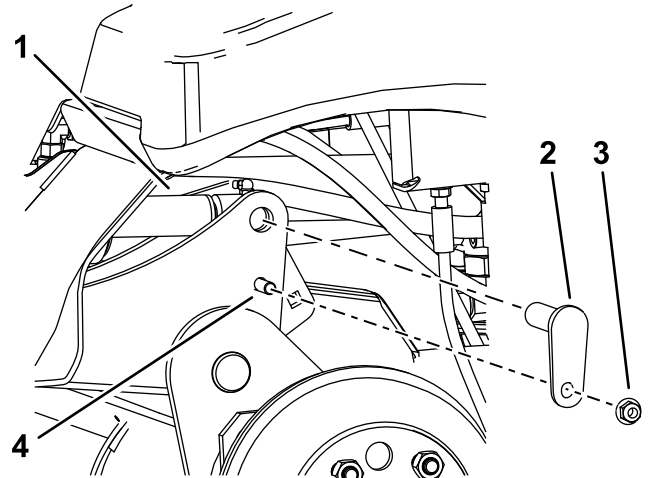


Figure 10

g467781

- | | |
|-----------------|------------------------------|
| 1. Cylinder rod | 3. Nut (3/8 inch) |
| 2. Small pin | 4. Bolt (3/8 x 1-1/4 inches) |

- D. Use 2 bolts (3/8 x 1-1/4 inches), 2 nuts (3/8 inch), and 2 small pins to secure the lift arms to the cylinders (Figure 10).

- E. Torque the hose swivel nut on port C1 to 41 N·m (30 ft-lb).

Note: Use a backup wrench to prevent the hose from twisting.

6. Grease the attachment pin joints and lift-arm pin joints; refer to [Greasing the Bearings and Bushings](#) (page 52).

5

Installing the Front Tires

Models 31900A, 31901A, and 31907A Only

No Parts Required

Procedure

1. Use the previously-removed lug nuts to secure the tires to the wheel hubs ([Figure 11](#)).

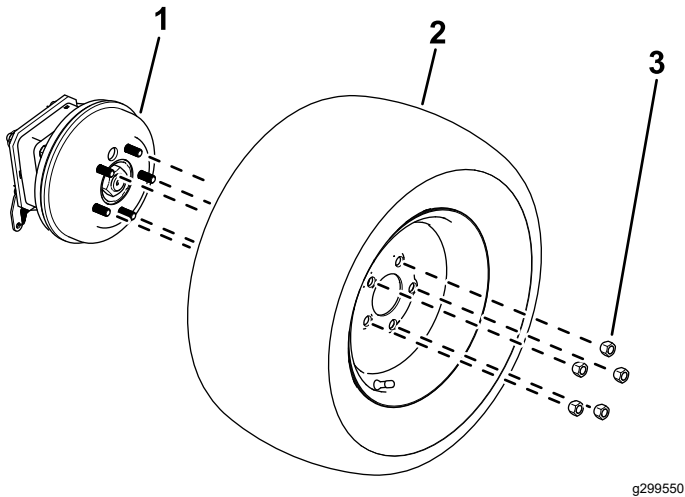


Figure 11

g299550

1. Wheel hub
2. Tire
3. Lug nut

2. Torque the wheel lug nuts; refer to [Torquing the Wheel-Lug Nuts](#) (page 63).

6

Installing the Tie-Down Bracket

Models 31900A, 31901A, and 31907A Only

Parts needed for this procedure:

1	Tie-down bracket
2	Bolt (3/8 x 3-1/4 inches)
2	Nut (3/8 inch)

Procedure

Use 2 bolts (3/8 x 3-1/4 inches) and 2 nuts (3/8 inch) to secure the tie-down bracket to the platform ([Figure 12](#)).

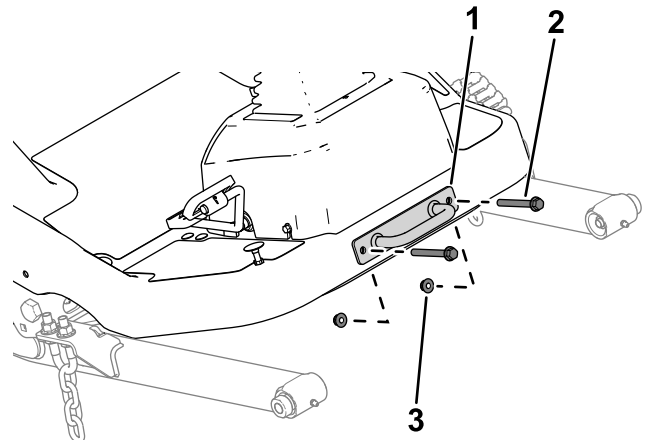


Figure 12

g299562

1. Tie-down bracket
2. Bolt
3. Nut

7

Installing the Seat

Models 31900A, 31901A, and 31907A Only

Parts needed for this procedure:

1	Seat Kit (ordered separately; refer to your authorized Toro distributor)
---	--

Procedure

Install the seat; refer to the Seat Kit *Installation Instructions*.

8

Installing the Steering Wheel

Models 31900A, 31901A, and 31907A Only

Parts needed for this procedure:

1	Steering wheel
1	Cover

Procedure

1. Remove the steering wheel from the shipping skid (Figure 13).

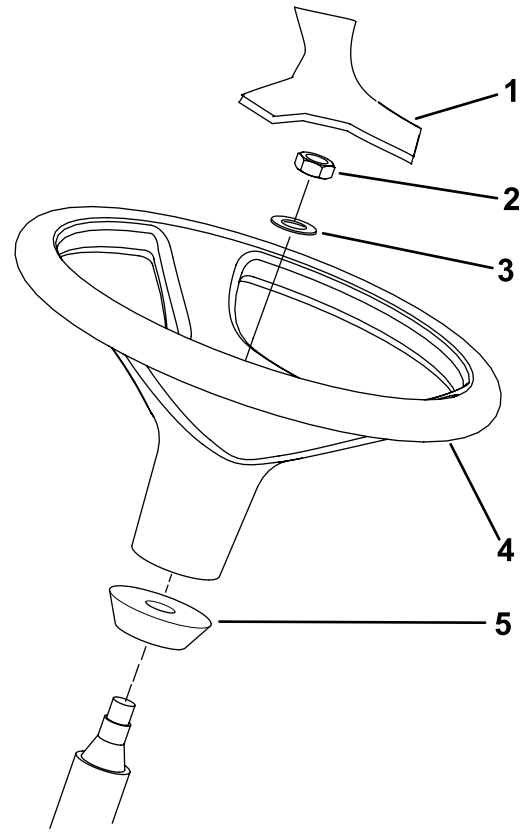


Figure 13

g307379

- | | |
|---------------|-------------------|
| 1. Cover | 4. Steering wheel |
| 2. Nylock nut | 5. Foam collar |
| 3. Washer | |

2. Remove the nylock nut and washer from the steering shaft.

Note: Ensure that the foam collar remains on the steering shaft (Figure 13).

3. Slide the steering wheel and washer onto the steering shaft (Figure 13).
4. Use the nylock nut to secure the steering wheel to the shaft. Tighten the nylock nut to 27 to 35 N·m (20 to 26 ft·lb).
5. Mount the cover to the steering wheel (Figure 13).

9

Installing the Sound Decal

Models 31907A and 31909A

Parts needed for this procedure:

1	Sound decal (Part 144-0512)
---	-----------------------------

Procedure

For Models 31907A and 31909A, install the sound decal (Part 144-0512) near the model year decal as shown in [Figure 14](#).

Ensure that the surface is clean and dry.

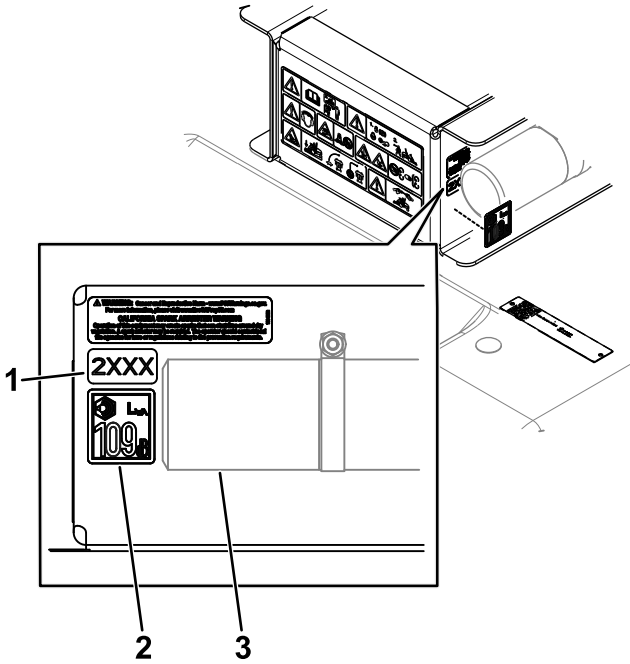


Figure 14

g353549

- 1. Model year decal
- 2. Sound decal
- 3. Manual tube

10

Installing the Bumper

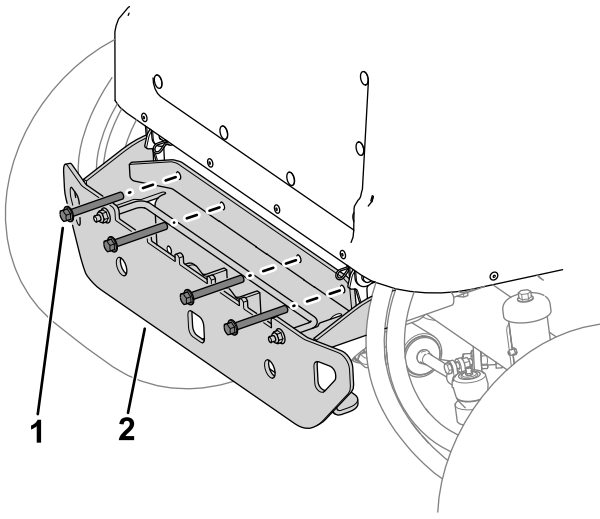
Models 31900A, 31901A, and 31907A Only

Parts needed for this procedure:

1	Bumper
2	Bolt (3/8 x 3 inches)
4	Bolt (3/8 x 3-1/4 inches)
6	Nut (3/8 inch)

Procedure

1. Remove the bumper from the shipping skid.
2. Loosely secure the upper area of the bumper to the machine frame using 4 bolts (3/8 x 3-1/4 inches) and 4 nuts (3/8 inch) as shown in [Figure 15](#).



11

Adjusting the Roll-Bar Position

Models 31900A, 31901A, and 31907A Only

No Parts Required

Procedure

Raise the roll bar; refer to [Raising the Roll Bar \(page 39\)](#).

12

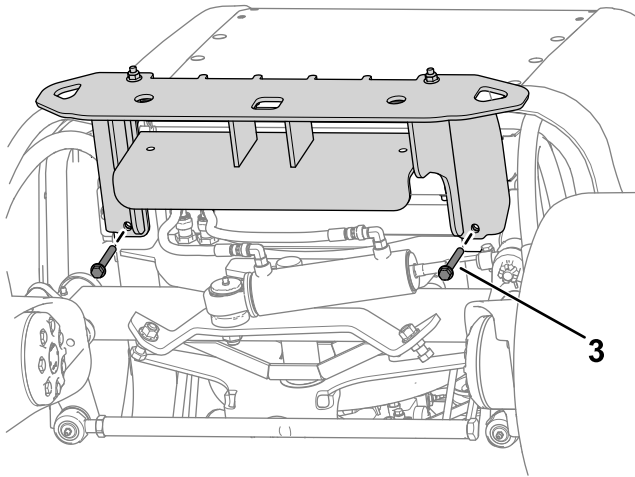
Connecting the Battery

Models 31900A, 31901A, and 31907A Only

No Parts Required

Procedure

Connect the battery; refer to [Connecting the Battery \(page 60\)](#).



g302775

Figure 15

1. Bolt (3/8 x 3-1/4 inches)
 2. Bumper
 3. Bolt (3/8 x 3 inches)
3. Loosely secure the bumper under the machine frame using 2 bolts (3/8 x 3 inches) and 2 nuts (3/8 inch) as shown in [Figure 15](#).
 4. Tighten the hardware.

13

Installing the Attachment

Parts needed for this procedure:

1	Optional attachment (ordered separately; refer to your authorized Toro distributor)
2	Socket-head screw (3/8 inch)
2	Washer (3/8 inch)
2	Flange locknut (3/8 inch)

Procedure

Important: When switching attachments, confirm with your authorized Toro distributor the

correct number of rear weights for that specific attachment.

Install the front attachment (e.g., cutting unit, flail, plow blade, or blower); perform the following steps and refer to your attachment *Operator's Manual* for additional installation instructions.

1. While supporting the driveshaft, remove the capscrew and locknut that secure the driveshaft yoke to the steering valve-mount bracket (**Figure 16**), and carefully lower the driveshaft.

Note: Discard the capscrew and locknut.

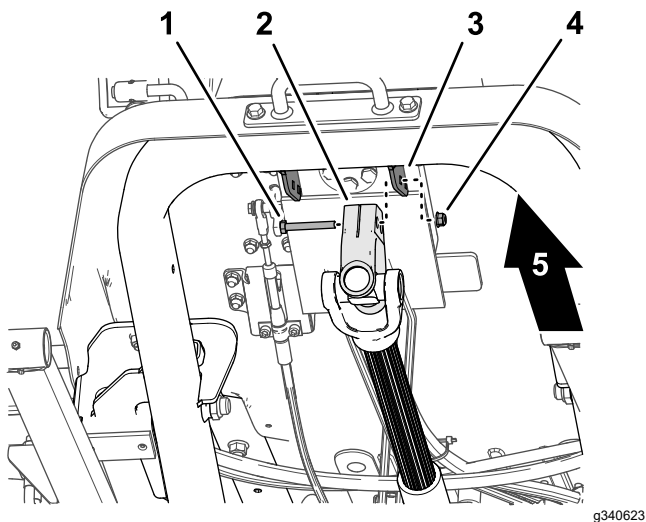


Figure 16

- | | |
|---------------------------------|-------------------------|
| 1. Capscrew | 4. Locknut |
| 2. Driveshaft yoke | 5. Front of the machine |
| 3. Steering valve-mount bracket | |

2. Ensure that the PTO shaft is aligned; refer to [Aligning the PTO Driveshaft \(page 63\)](#).
3. Have an assistant sit in the seat, turn the key to the ON position, and use the attachment lift switch to lower the lift arms while you push down on the lift arms.
4. Align the holes in the lift arm with the holes in the attachment arm as described in the attachment *Installation Instructions*.
5. Align the splines in the driveshaft yoke onto the splines of the attachment input shaft (**Figure 17**), and slide the yoke over the shaft.

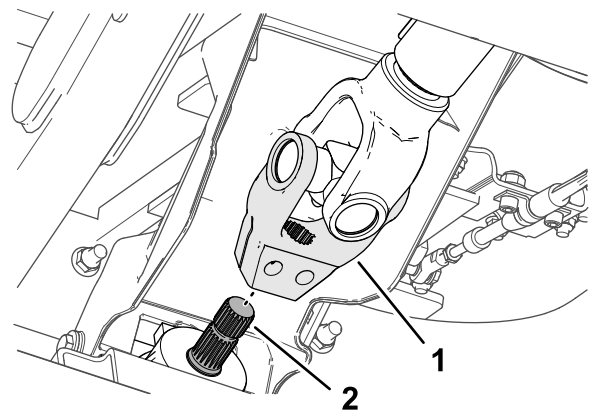


Figure 17

- | | |
|--------------------|----------------|
| 1. Driveshaft yoke | 2. Input shaft |
|--------------------|----------------|

6. Assemble a socket-head capscrew (3/8 x 2-1/4 inches) through a washer (3/8 inch) and the hole in the driveshaft yoke (**Figure 18**), and secure the capscrew with a flange-locknut (3/8 inch).

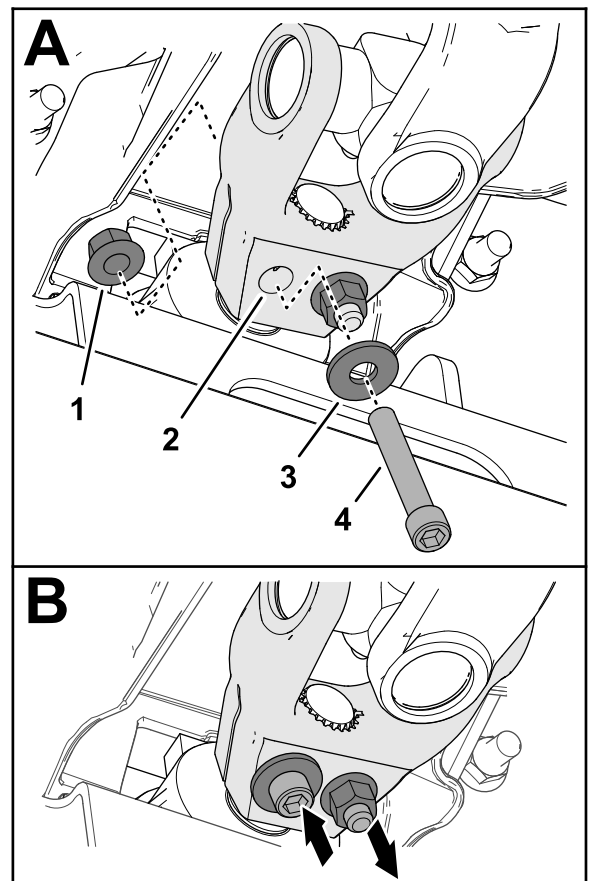


Figure 18

- | | |
|------------------------------|--|
| 1. Flange-locknut (3/8 inch) | 3. Washer (3/8 inch) |
| 2. Driveshaft yoke | 4. Socket-head capscrew (3/8 x 2-1/4 inches) |

7. Assemble a socket-head capscrew (3/8 x 2-1/4 inches) through a washer (3/8 inch) and the hole in the driveshaft yoke from the opposite direction

(Figure 18), and secure the capscrew with a flange-locknut (3/8 inch).

8. Incrementally torque the locknuts to 61 N·m (45 ft-lb) in an alternating pattern.

14

Adjusting the Sensor Bracket

No Parts Required

Procedure

The sensor and the sensor-bracket plate should have a 5 mm (0.2 inch) clearance between them (Figure 19).

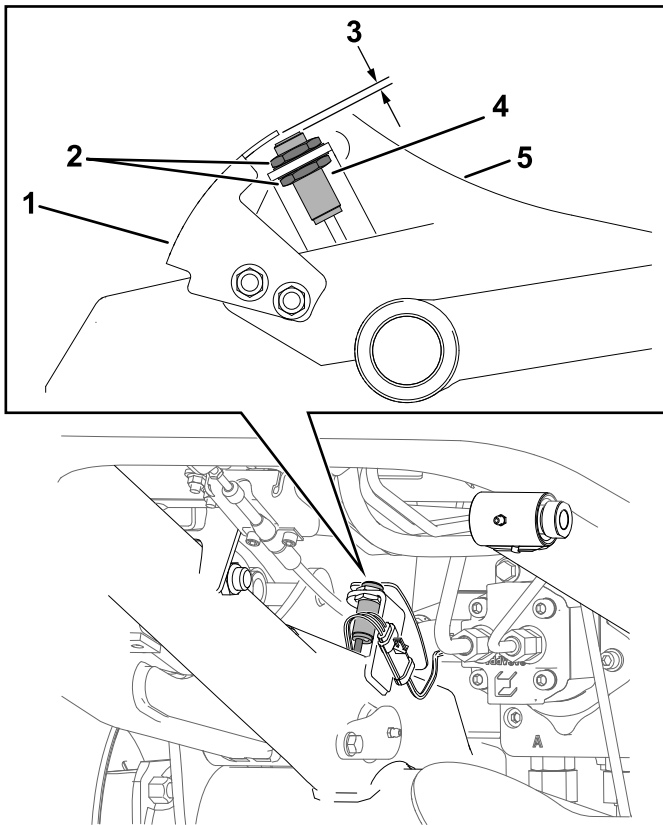


Figure 19

- | | |
|--------------------|--------------------------|
| 1. Sensor bracket | 4. Sensor |
| 2. Locknuts | 5. Lift arm (right side) |
| 3. 5 mm (0.2 inch) | |

clearance exists between the sensor and the sensor plate.

2. Tighten the sensor locknuts to 19 to 21 N·m (14 to 16 ft-lb).

15

Checking the Fluid Levels

No Parts Required

Procedure

Before you start the engine for the first time, perform the following fluid-level checks:

- Check the engine-oil level; refer to [Checking the Engine-Oil Level \(page 54\)](#).
- Check the coolant level; refer to [Checking the Cooling System and Coolant Level \(page 64\)](#).
- Check the hydraulic-fluid level; refer to [Checking the Hydraulic-Fluid Level \(page 70\)](#).

16

Checking the Tire Pressure

No Parts Required

Procedure

Check the tire pressure; refer to [Checking the Tire Air Pressure \(page 36\)](#).

Important: Maintain pressure in all tires to ensure a good quality-of-cut and proper machine performance. Do not underinflate the tires.

If the clearance is incorrect, perform the following steps to adjust the sensor bracket:

1. Loosen the locknuts that secure the switch to the switch bracket and adjust it so that the correct

17

Installing the CE Kit

Parts needed for this procedure:

1	CE Kit (ordered separately; refer to your authorized Toro distributor)
---	--

Procedure

If you operate the machine in a country that complies to CE standards, install the CE Kit; refer to the kit *Installation Instructions*.

18

Adding Rear Weight

Parts needed for this procedure:

	Weight—19 kg (42 lb) [amount varies per your model]
	Weight—6 kg (15 lb) [amount varies per your model]
1	Weight Bracket Kit (if necessary)
	Weight—11 kg (25 lb) [amount varies per your model]

Refer to the following table for the weight that is shipped with each machine:

Model	Shipped Rear Weight
31900A	2 weights (19 kg or 42 lb each)
31901A	1 weight (19 kg or 42 lb)
31907A	0 weights
31909A	5 weights (19 kg or 42 lb each) and 2 weights (6 kg or 15 lb each)

Determining the Required Rear Weight

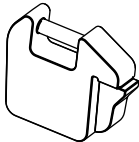
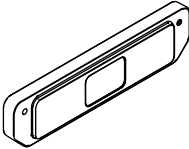
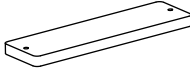
Ensure that your machine has the minimum amount of rear weight per your traction unit and attachment combination. For Models 31900A, 31901A, and 31907A, you can also add more rear weight for improved slope performance.

- To determine the minimum number of weights required, refer to the [Minimum Required Rear Weight \(page 24\)](#) table.
- To achieve an improved slope performance, add the number of each weight type as listed in the [Required Rear Weight for Improved Slope Performance \(page 26\)](#) table.

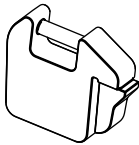
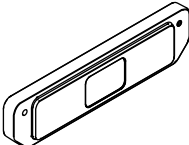
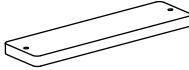
To ensure proper ROPS performance, do not add more weight than what is listed in this table.

Note: If you have an equipped CE Kit, refer to the kit *Installation Instructions* for the appropriate slope decal for your traction unit and attachment combination. Ensure that the correct amount of rear weight is added (i.e., weight to meet required slope standard or weight to meet improved slope performance).

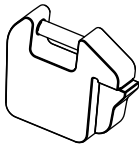
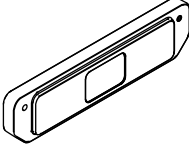
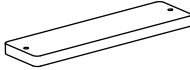
Minimum Required Rear Weight

Traction Unit Model Number	Attachment Model Number(s) or Name	Number of Weights Required			Total
		19 kg (42 lb)	6 kg (15 lb)	11 kg (25 lb)	
					
31900A	31970, 31971, 31974	2	0	0	2
	31970, 31971, 31974 and Sunshade	3	0	0	3
	31972, 31973, 31975	3	0	0	3
	31972, 31973, 31975 and Sunshade	4	0	0	4
	02835	4	0	0	4
	02835 and Sunshade	5	0	0	5
	M-B Rotary Broom	4	0	0	4
	MSC23345 and 31990*	5	2	0	7
	M-B Rotary Broom and 31990*	5	2	3	10
	Erskine Snowthrower and 31990*	5	2	2	9
31901A	31970, 31971, 31974	1	0	0	1
	31970, 31971, 31974 and Sunshade	2	0	0	2
	31972, 31973, 31975	2	0	0	2
	31972, 31973, 31975 and Sunshade	3	0	0	3
	02835	3	0	0	3
	02835 and Sunshade	3	0	0	3
	M-B Rotary Broom	4	0	0	4
	MSC23345 and 31990*	5	0	0	5
	M-B Rotary Broom and 31990*	5	2	3	10
	Erskine Snowthrower and 31990*	5	2	2	9

Minimum Required Rear Weight (cont'd.)

Traction Unit Model Number	Attachment Model Number(s) or Name	Number of Weights Required			Total
		19 kg (42 lb) 	6 kg (15 lb) 	11 kg (25 lb) 	
31907A	31970, 31971	0	0	0	0
	31970, 31971 and Sunshade	0	0	0	0
	31972, 31973	1	0	0	1
	31972, 31973 and Sunshade	2	0	0	2
	02835	1	0	0	1
	02835 and Sunshade	2	0	0	2
	M-B Rotary Broom	1	0	0	1
	MSC23345 and 31990*	5	2	0	7
	M-B Rotary Broom and 31990*				
Erskine Snowthrower and 31990*					
31909A	31970, 31971	5	2	0	7
	31972, 31973				
	02835				
	MSC23345				
	M-B Rotary Broom				
	Erskine Snowthrower				
*Model 31990 is the Winter Enclosure. The listed weight requirement is for a simultaneously equipped Winter Enclosure and attachment (e.g., snowthrower or rotary broom).					

Required Rear Weight for Improved Slope Performance

Traction Unit Model Number	Attachment Model Number(s) or Name	Number of Weights Required			Total
		19 kg (42 lb) 	6 kg (15 lb) 	11 kg (25 lb) 	
31900A	31970, 31971, 31974	5	0	0	5
	31970, 31971, 31974 and Sunshade	5	0		5
	31972, 31973, 31975	5	0		5
	31972, 31973, 31975 and Sunshade	5	0		5
	02835	5	0		5
	02835 and Sunshade	5	2		7
31901A	31970, 31971, 31974	5	2	0	7
	31970, 31971, 31974 and Sunshade	5	0		5
	31972	5	0		5
	31973, 31975	5	2		7
	31972, 31973, 31975 and Sunshade	5	0		5
	02835	5	2		7
	02835 and Sunshade	5	2		7
31907A	31970, 31971	5	2	0	7
	31970, 31971 and Sunshade	4	0		4
	31972, 31973	5	0		5
	31972, 31973 and Sunshade	3	0		3
	02835	3	2		5
	02835 and Sunshade	2	0		2

If you need to add rear weight, contact your authorized Toro distributor for additional weights and refer to the following installation procedures:

Adding 19 kg (42 lb) Weights

1. Loosen the hardware that secures the weight-lock rod to the bumper.

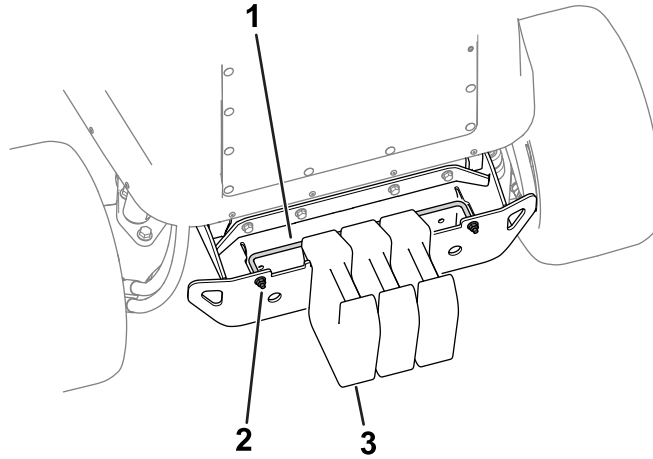


Figure 20

g299565

1. Weight-lock rod
2. Nut
3. Weight—19 kg (42 lb)

2. Add the required amount of weights.
3. Tighten the weight-lock-rod hardware to secure the weight to the bumper.

Adding 6 kg (15 lb) Weights

1. Refer to your authorized Toro distributor to order the following parts:

Part Name	Quantity	Part Number
Screw (3/8 x 3-1/2 inches)	2	116-4701
Washer	2	125-9676
Nut (3/8 inch)	2	104-8301

2. Use the hardware to secure the weights to the bumper (Figure 21).

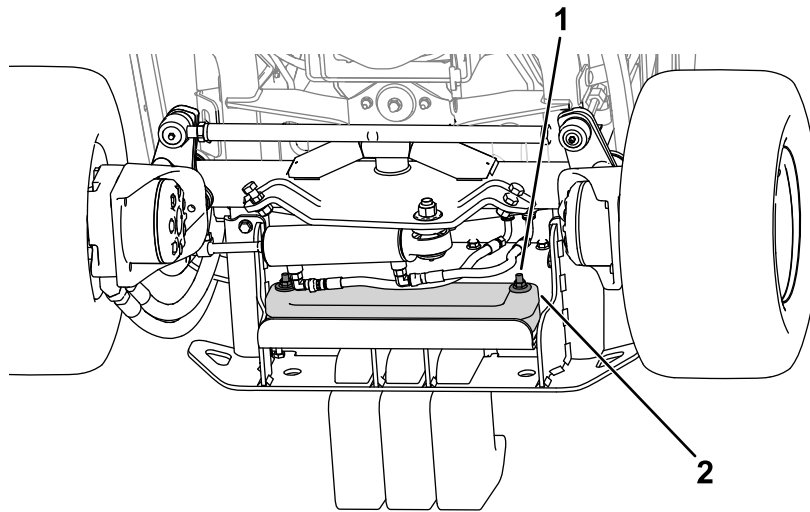


Figure 21

g324822

1. Hardware
2. Weight—6 kg (15 lb)

Adding 11 kg (25 lb) Weights

For traction unit/attachment configurations that require *up to 2 weights (11 kg or 25 lb each)* :

1. Refer to your authorized Toro distributor to order the Weight Bracket Kit (Part Number 144-0480).
2. Install the Weight Bracket Kit; refer to the kit *Installation Instructions*.

For traction unit/attachment configurations that require *more than 2 weights (11 kg or 25 lb each)*: [e.g., traction unit Model 31900A equipped with MSC23345 and 31990]

1. Refer to your authorized Toro distributor to order the following parts:

Part Name	Quantity	Part Number
Bolt (3/8 x 4 inches)	2	323-16
Nut (3/8 inch)	2	3256-3
Weight (11 kg or 25 lb)	1	144-0484-03
Weight Bracket Kit (includes mounting hardware and 2 weights)	1	144-0480

2. Perform the following steps per your specific situation:

Note: Refer to [Figure 22](#) for these steps.

• **For yet-to-be-installed Weight Bracket Kits:**

- A. Use the bolts (3/8 x 4 inches) and nuts (3/8 inch) to secure the 3 weights to the bracket ([Figure 22](#)).
- B. Use the hex-head bolts and nuts (included in the kit) to secure the weight bracket to the machine ([Figure 22](#)).

• **For previously installed Weight Bracket Kits:**

- A. Remove the weight bracket from the machine ([Figure 22](#)).
Retain the hardware.
- B. Remove the existing hardware that secures the weights to the bracket.
- C. Use the bolts (3/8 x 4 inches) and nuts (3/8 inch) to secure the 3 weights to the bracket ([Figure 22](#)).
- D. Use the previously removed hardware to secure the weight bracket to the machine ([Figure 22](#)).

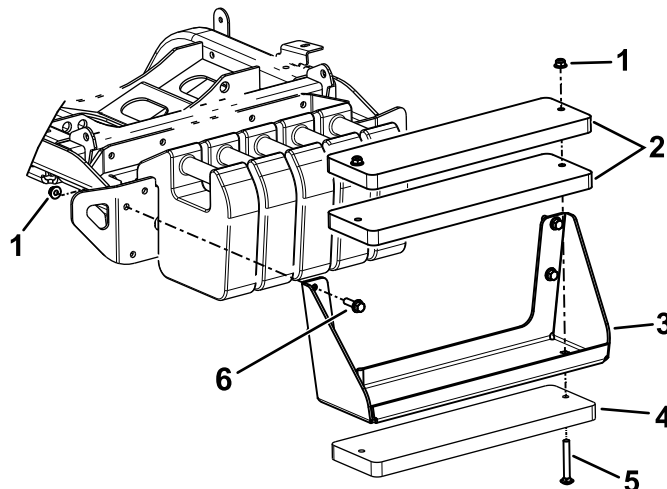


Figure 22

g331756

- | | |
|--------------------------------|--------------------------------------|
| 1. Nut (Part Number 3256-3) | 4. Additional weight |
| 2. Weights (included with kit) | 5. Bolt (Part Number 323-16) |
| 3. Weight bracket | 6. Hex-head bolt (included with kit) |

19

Adjusting the Weight Transfer of the Attachment

No Parts Required

Procedure

Perform this procedure only if you are installing an attachment other than the standard rotary cutting units (e.g., snowthrower, blade, or flail).

You can change the hydraulic pressure used to transfer the weight of the attachment to the traction unit by adjusting the weight-transfer valve of the hydraulic manifold. For best performance, adjust the weight-transfer valve so that any bouncing motion of the attachment is minimal over uneven terrain, but also adjust the valve so that the attachment does not ride heavily over flat terrain or lower too quickly.

- To improve the contour-tracking performance of the attachment as you operate the machine over uneven terrain, **decrease** the weight-transfer (hydraulic) pressure at the hydraulic manifold.

Note: If the attachment casters or the leading edge of the snowthrower float above the ground, the hydraulic pressure of the weight transfer valve is too high.

- When you are cutting flat turf, when the cutting unit is scalping the grass, if the quality of cut is uneven from side to side, or the leading edge of a snowthrower is scraping too heavily, **increase** the weight-transfer pressure at the hydraulic manifold.

Note: Increasing weight-transfer pressure also transfers the weight from the attachment to the wheels of the traction unit, thereby improving the traction of the traction unit.

Adjust the weight-transfer pressure as follows:

1. Operate the machine for 10 minutes.
Note: This will warm the hydraulic fluid.
2. Park the machine on a level surface, lower the attachment, engage the parking brake, shut off the engine, and remove the key from the switch.
3. Locate the lift manifold from under the machine (Figure 23).

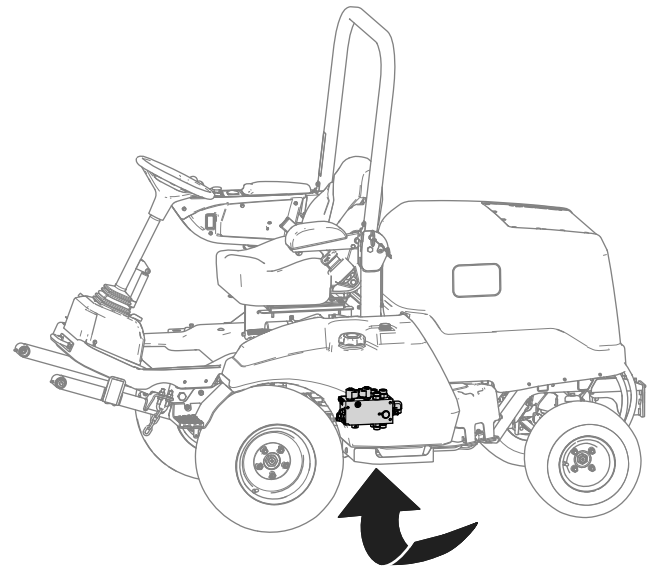


Figure 23

g299920

4. Connect a pressure gauge to the test port (labeled G1; refer to Figure 24).

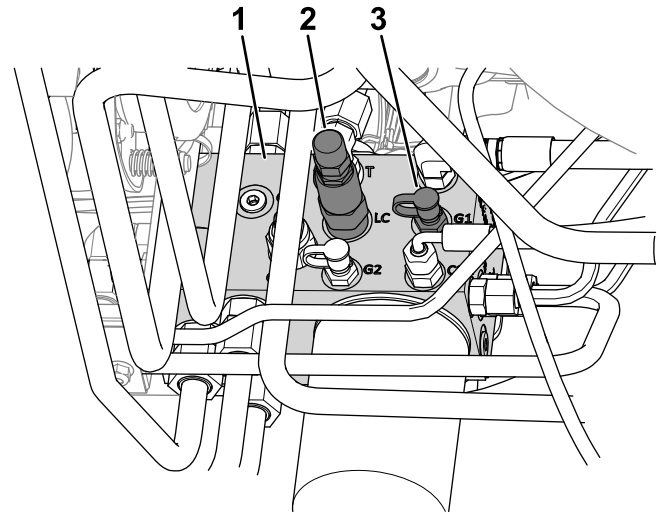


Figure 24

g299924

1. Hydraulic manifold
2. Weight-transfer spool (LC)
3. Test port (G1)

5. At the side of the lift manifold, remove the cap from the test port (labeled G1; refer to Figure 24).
6. Loosen the jam nut at the end of the weight-transfer spool (labeled LC; refer to Figure 24).
7. Start the engine, set the throttle to HIGH IDLE.
8. Use a hex-socket wrench to adjust the counterbalance valve of the weight-transfer spool until the gauge indicates the desired pressure; refer to the following table for

the recommended pressure setting for the attachment.

- Rotate the adjusting screw clockwise to increase the pressure.
- Rotate the adjusting screw counterclockwise to decrease the pressure.

Attachment	Weight-Transfer Pressure
Rotary cutting unit	1,724 kPa (250 psi)
Flail Mower (Model No. 02835)	1,379 kPa (200 psi)
Snowthrower	1,724 kPa (250 psi)
Snow Blade (Model Number MSC23345)	1,379 kPa (200 psi)
Rotary Broom (1.5 m or 5 ft)	1,724 kPa (250 psi)

9. Shut off the engine and remove the key.
10. Tighten the jam nut at the end of the weight-transfer spool, and torque the nut to 13 to 16 N·m (10 to 12 ft-lb).
11. Install the cap on the test port.
12. Remove the pressure gauge from the test port.

Product Overview

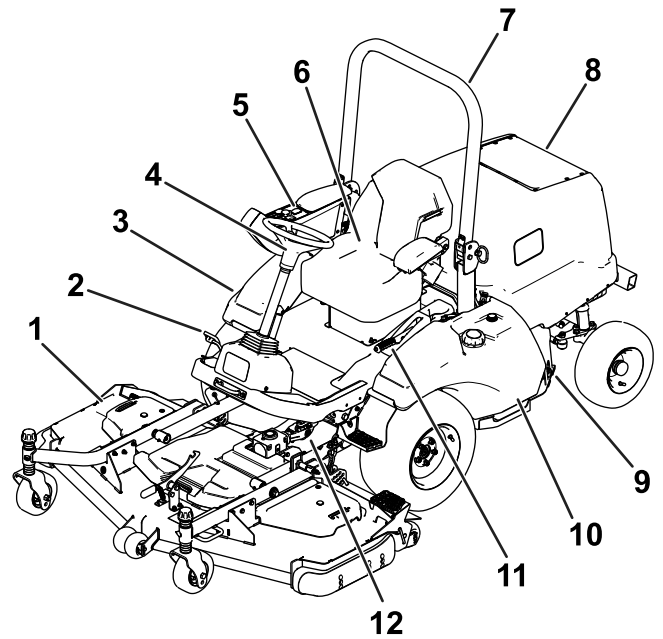


Figure 25

g219621

- | | |
|-------------------------|----------------------------|
| 1. Cutting unit | 7. Roll bar |
| 2. Traction pedal | 8. Hood/engine compartment |
| 3. Hydraulic-fluid tank | 9. Battery |
| 4. Steering wheel | 10. Fuel tank |
| 5. Console | 11. Parking brake |
| 6. Operator's seat | 12. PTO shaft |

Controls

Traction Pedal

Note: Adjust the seat position before you operate the machine. Refer to the seat kit *Installation Instructions* for seat-adjustment instructions.

Use the traction pedal (Figure 26) to move the machine forward or rearward.

- **Move the machine forward:** Use your toes to press the top of the pedal.
- **Move the machine rearward:** Use your toes to press the bottom of the pedal.

Note: You can achieve steady operation by keeping your heel on the platform and pressing the pedal with your toes.

Ground speed is proportionate to how far the pedal is pressed. For maximum ground speed, you must fully press traction pedal while throttle is in the FAST position. Maximum speed forward is as follows:

Model Number	Maximum Forward Speed
31900A	20 km/h (12 mph)
31901A	20 km/h (12 mph)
31907A	22.5 km/h (14 mph)
31909A	20 km/h (12 mph)

To get maximum power under heavy load or when ascending a hill, have the throttle in the FAST position while pressing traction pedal slightly to keep the engine speed (rpm) high. If the engine speed begins to decrease rapidly, release the traction pedal slightly to allow the engine speed to increase.

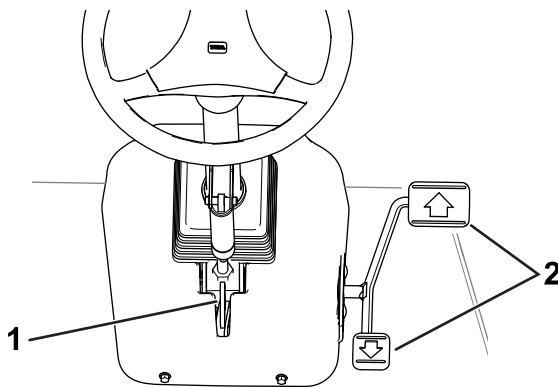


Figure 26

g219608

1. Tilt-steering lever 2. Traction pedal

Tilt-Steering Lever

To tilt the steering wheel toward you, press the tilt-steering lever (Figure 26) down and pull the steering tower toward you. Release the lever when the steering tower is at a position that allows you to comfortably handle the steering wheel.

Parking Brake

Whenever you shut off the engine, engage the parking brake (Figure 16) to prevent the machine from accidentally moving.

- **Engage the parking brake:** Pull the handle up to the ENGAGED position.

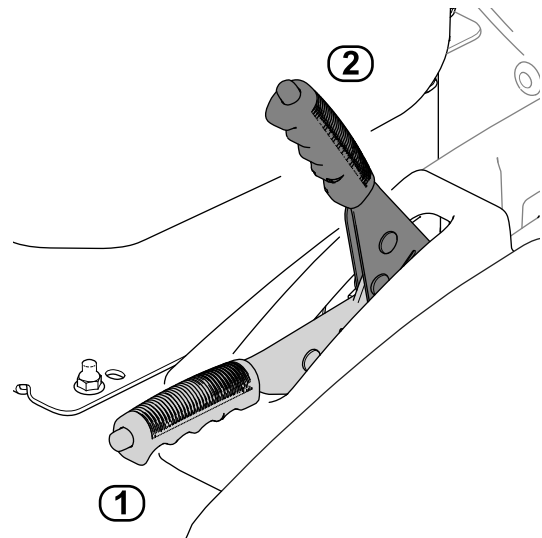


Figure 27

g219574

1. DISENGAGED position 2. ENGAGED position

- **Disengage the parking brake:** Use your thumb to push down the button on the top of handle and lower the handle down to the DISENGAGED position.

Note: If the handle is not completely lowered, the machine shuts off when you engage the traction pedal.

Console

Refer to the following sections for a description of the console controls ([Figure 28](#)).

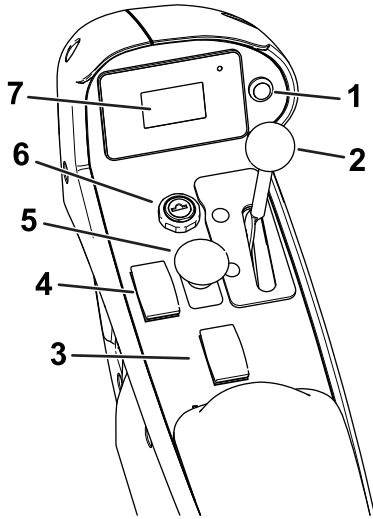


Figure 28

Models 31900A and 31901A

- | | |
|-----------------------------|-------------------|
| 1. Display screen button | 5. PTO switch |
| 2. Throttle control | 6. Key switch |
| 3. Cutting-unit lift switch | 7. Display screen |
| 4. Glow-plug switch | |

g300409

lowers the attachment to the lowest position (i.e., the OPERATING) position.

- **Raise the attachment:** Press the rear of the switch.
- **Lower the attachment:** Press the front of the switch.

Raise the attachment to the TRANSPORT position whenever you transport the machine between locations. Lower the attachment to the OPERATING position whenever you are not using the machine.

PTO Switch

- **Engage the PTO:** Pull up on the switch.
- **Disengage the PTO:** Push the switch down.

The only time you should engage the PTO is when the PTO attachment is in the OPERATING position (lowered to the ground with the driveshaft connected) and you are ready to begin operation.

Note: If you leave the operator's seat while the PTO switch is in the ON position, the machine will automatically shut off the engine; refer to [Resetting the PTO Function \(page 44\)](#).

Key Switch

The key switch has 3 positions: OFF, ON/PREHEAT, and START.

Use the switch to start or shut off the engine [refer to [Starting the Engine \(page 43\)](#) or [Shutting Off the Engine \(page 44\)](#)] or to review the display-screen information [refer to [Understanding the Display-Screen Information \(page 40\)](#)].

Throttle Control

The throttle control adjusts the engine speed.

- **Increase the engine speed:** Move the lever forward or push the FORWARD position on the switch.
- **Decrease the engine speed:** Move the lever rearward or push the REARWARD position on the switch.

Glow-Plug Switch

Use the glow-plug switch to help start a cold engine.

Display Screen

The display screen shows information about your machine, such as the operating status, various diagnostics, and other information.

Refer to [Understanding the Display-Screen Information \(page 40\)](#) for more display-screen information.

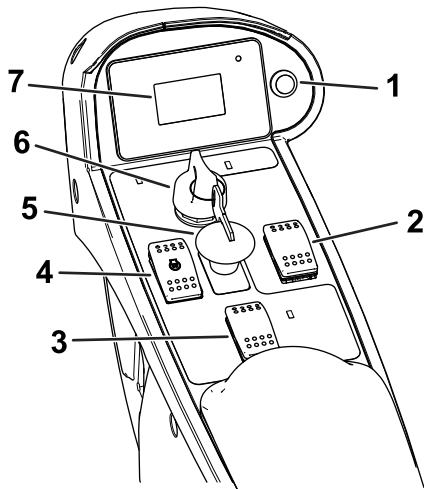


Figure 29

Models 31907A and 31909A

- | | |
|-----------------------------|-------------------|
| 1. Display screen button | 5. PTO switch |
| 2. Throttle control | 6. Key switch |
| 3. Cutting-unit lift switch | 7. Display screen |
| 4. Glow-plug switch | |

g467779

Attachment Lift Switch

The attachment lift switch raises the attachment to the highest position (i.e., the TRANSPORT position) and

Display Screen Button

Refer to [Using the Display-Screen Button \(page 40\)](#).

Cab Controls

Machines Equipped with a Cab

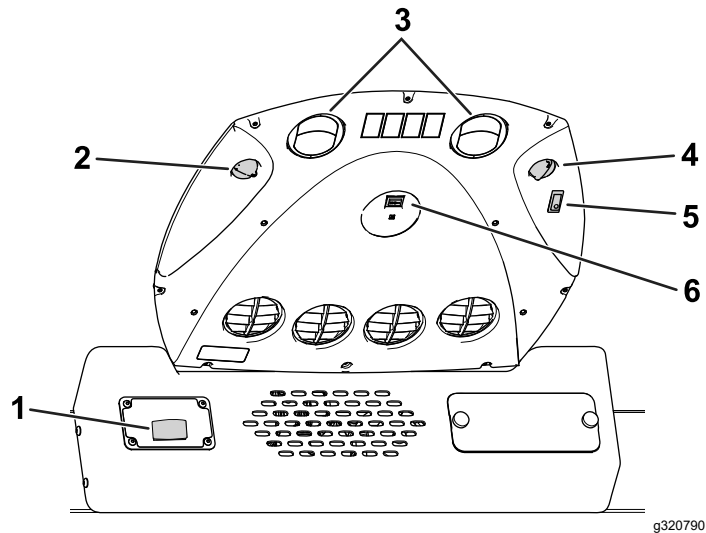


Figure 30

g320790

- | | |
|----------------------------|-----------------------------|
| 1. Windshield-wiper switch | 4. Light switch |
| 2. Fan-control knob | 5. Temperature-control knob |
| 3. Recirculation vents | 6. Air-conditioning switch |

Windshield-Wiper Switch

Use the switch ([Figure 30](#)) to turn the windshield wipers on or off.

Fan-Control Knob

Rotate the fan-control knob ([Figure 30](#)) to regulate the speed of the fan.

Light Switch

Press the switch ([Figure 30](#)) to turn the dome light on or off.

Temperature-Control Knob

Rotate the temperature-control knob ([Figure 30](#)) to regulate the air temperature in the cab.

Air-Conditioning Switch

Use this switch ([Figure 30](#)) to turn the air conditioning on or off. Use the fan-control knob to control the air-conditioning.

Open the recirculation vents ([Figure 30](#)) when the air conditioning is on.

Specifications

Note: Specifications and design are subject to change without notice.

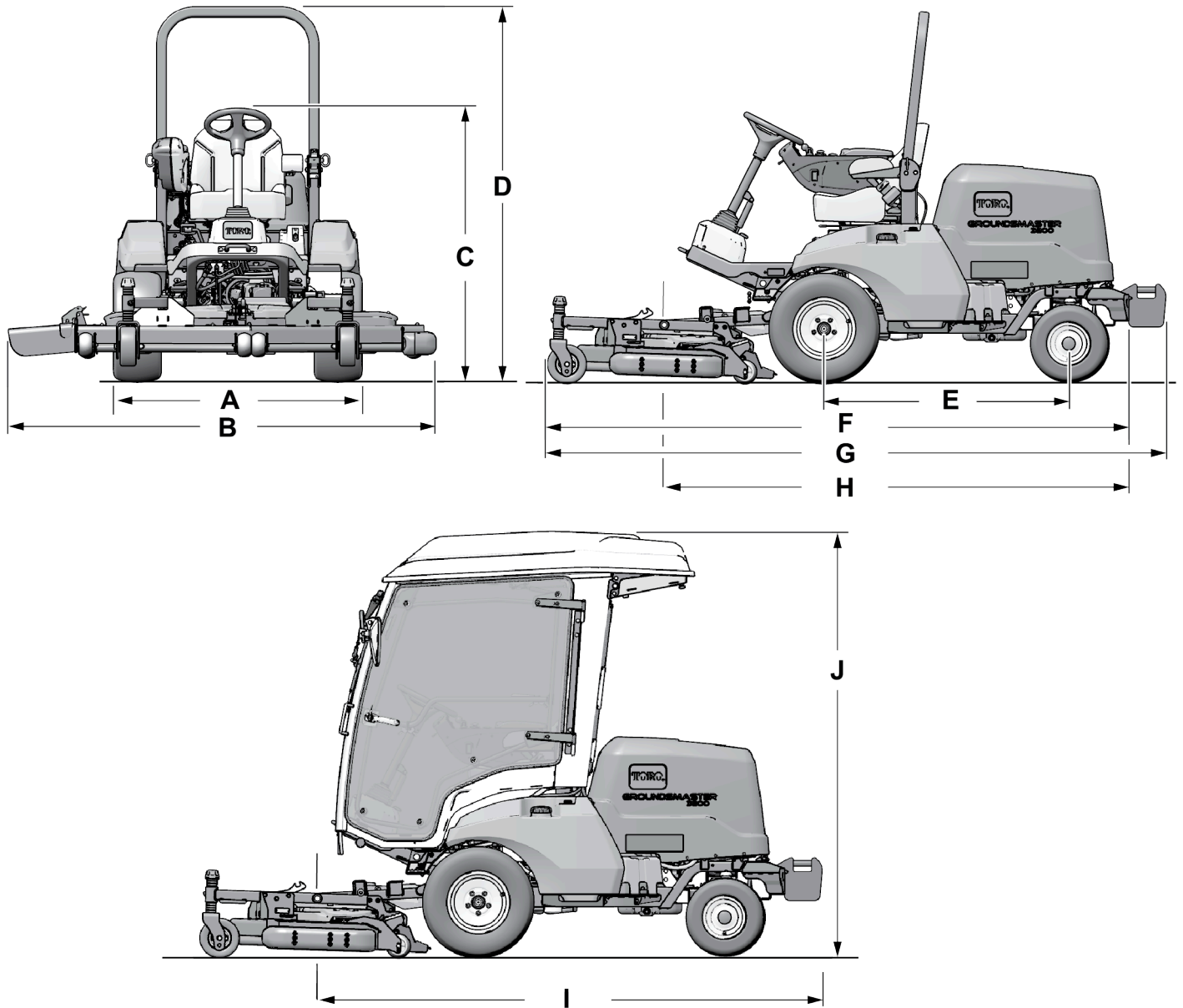


Figure 31

g334796

Description		Figure 31 reference	Dimension or Weight
Height with roll bar raised		D	200 cm (79 inches)
Height with roll bar lowered		C	111 cm (44 inches)
Height with cab (Model 31909A)		J	226 cm (89 inches)
Overall length (rear weights equipped) [Models 31900A, 31901A, and 31909A]	With equipped attachment	G	Maximum of 332 cm (131 inches)
	Traction unit only	I	Maximum of 272 cm (107 inches)
Overall length (no rear weights equipped) [Model 31907A]	With equipped attachment	F	Maximum of 312 cm (123 inches)
	Traction unit only	H	Maximum of 253 cm (99.5 inches)
Overall width (with equipped attachment)		B	Refer to Width Specifications (page 35) .
Wheel-base length		E	132 cm (52 inches)
Front-wheel tread width	Models 31900A and 31901A	A	132 cm (52 inches)
	Models 31907A and 31909A		136 cm (53.5 inches)
Rear-wheel tread width	Model 31900A		122 cm (48 inches)
	Models 31901A, 31907A, and 31909A		128 cm (50 inches)
Ground clearance	Models 31900A and 31901A		20 cm (7.9 inches)
	Models 31907A and 31909A		21 cm (8-5/16 inches)
Net weight	Model 31900A		800 kg (1,763 lb)
	Model 31901A		798 kg (1,759 lb)
	Model 31907A		838 kg (1,848 lb)
	Model 31909A		1,109 kg (2,444 lb)

Width Specifications

Refer to the following table for width measurements per your equipped cutting unit:

Cutting Unit	Width
Model 31970	198 cm (78 inches)
Model 31971	168 cm (66 inches)
Model 31972	228 cm (90 inches)
Model 31973	198 cm (78 inches)
Model 31974	158 cm (62 inches)
Model 31975	188 cm (74 inches)
Model 02835 (Flail)	218 cm (86 inches)

Attachments/Accessories

A selection of Toro approved attachments and accessories is available for use with the machine to enhance and expand its capabilities. Contact your Authorized Service Dealer or authorized Toro distributor or go to www.Toro.com for a list of all approved attachments and accessories.

To ensure optimum performance, use only genuine Toro replacement parts and accessories. Replacement parts and accessories made by other manufacturers could be dangerous, and such use could void the product warranty.

Operation

Before Operation

Before Operation Safety

General Safety

- Never allow children or untrained people to operate or service the machine. Local regulations may restrict the age of the operator. The owner is responsible for training all operators and mechanics.
- Become familiar with the safe operation of the equipment, operator controls, and safety signs.
- Shut off the engine, remove the key, and wait for all movement to stop before you leave the operator's position. Allow the machine to cool before adjusting, servicing, cleaning, or storing it.
- Know how to stop the machine and shut off the engine quickly.
- Check that operator-presence controls, safety switches, and guards are attached and functioning properly. Do not operate the machine unless they are functioning properly.
- Before mowing, always inspect the machine to ensure that the blades, blade bolts, and cutting assemblies are in good working condition. Replace worn or damaged blades and bolts in sets to preserve balance.
- Inspect the area where you will use the machine and remove all objects that the machine could throw.

Fuel Safety

- Use extreme care in handling fuel. It is flammable and its vapors are explosive.
- Extinguish all cigarettes, cigars, pipes, and other sources of ignition.
- Use only an approved fuel container.
- Do not remove the fuel cap or fill the fuel tank while the engine is running or hot.
- Do not add or drain fuel in an enclosed space.
- Do not store the machine or fuel container where there is an open flame, spark, or pilot light, such as on a water heater or other appliance.
- If you spill fuel, do not attempt to start the engine; avoid creating any source of ignition until the fuel vapors have dissipated.

Checking the Machine Daily

Check the following machine systems each day before operating the machine:

- **Air-cleaner indicator**; refer to [Servicing the Air Cleaner \(page 56\)](#)
- **Engine oil**; refer to [Checking the Engine-Oil Level \(page 54\)](#)
- **Coolant system**; refer to [Checking the Cooling System and Coolant Level \(page 64\)](#)
- **Hood screen and radiator**; refer to [Checking the Cooling Fins \(page 65\)](#)
- **Hydraulic system**; refer to [Checking the Hydraulic-Fluid Level \(page 70\)](#)
- **PTO-shaft grease points**; refer to [Greasing the Bearings and Bushings \(page 52\)](#)

Checking the Tire Air Pressure

Service Interval: Before each use or daily

- **Tire air pressure specification (2-wheel-drive machines):**
 - Front tires: 138 kPa (20 psi)
 - Rear tires: 193 kPa (28 psi)
- **Tire air pressure specification (4-wheel-drive machines):** 138 kPa (20 psi)

▲ DANGER

Low tire pressure decreases machine side-hill stability. This could cause a rollover, which may result in personal injury or death.

Do not underinflate the tires.

Check the air pressure in the front and rear tires. Add or remove air as needed to set the air pressure in the tires to the tire air pressure specification.

Important: Maintain pressure in all tires to ensure a good quality of cut and proper machine performance.

Check the air pressure in all the tires before operating the machine.

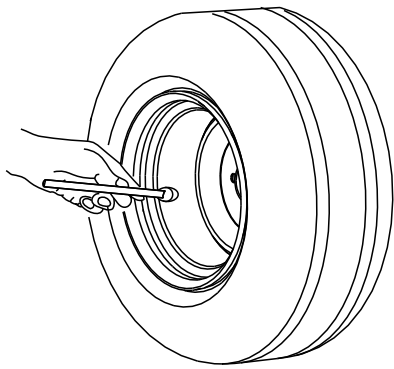


Figure 32

Adding Fuel

Fuel Specification

Important: Use only low sulphur or ultra-low sulphur diesel fuel.

Failure to observe the following cautions may damage the engine.

- Never use kerosene or gasoline instead of diesel fuel.
- Never mix kerosene or used engine oil with the diesel fuel.
- Never keep fuel in containers with zinc plating on the inside.
- Do not use fuel additives.
- Use only clean, fresh diesel fuel or biodiesel fuels.
- Purchase fuel in quantities that you can use within 180 days to ensure fuel freshness.

Petroleum Diesel

Cetane rating: 40 or higher

Sulfur content: Low sulphur (<500 ppm) or ultra-low sulfur (<15 ppm)

Use summer-grade diesel fuel (No. 2-D) at temperatures above -7°C (20°F) and winter-grade fuel (No. 1-D or No. 1-D/2-D blend) below that temperature.

Note: Use of winter-grade fuel at lower temperatures provides lower flash point and cold flow characteristics which eases starting and reduces fuel filter plugging.

Using summer-grade fuel above -7°C (20°F) contributes toward longer fuel pump life and increased power compared to winter-grade fuel.

Biodiesel

This machine can also use a biodiesel blended fuel of up to B20 (20% biodiesel, 80% petroleum diesel).

Sulfur content: Ultra-low sulfur (<15 ppm)

Biodiesel fuel specification: ASTM D6751 or EN14214

Blended fuel specification: ASTM D975, EN590, or JIS K2204

Important: The petroleum diesel portion must be ultra-low sulfur.

Observe the following precautions:

- Biodiesel blends may damage painted surfaces.
- Use B5 (biodiesel content of 5%) or lesser blends in cold weather.
- Monitor seals, hoses, gaskets in contact with fuel as they may degrade over time.
- Fuel filter plugging may occur for period after converting to biodiesel blends.
- Contact your authorized Toro distributor if you wish for more information on biodiesel.

Filling the Fuel Tank

Fuel tank capacity: 45 L (12 US gallons)

Note: If possible, fill the fuel tank after each use; this minimizes condensation buildup inside the fuel tank.

1. Park the machine on a level surface (Figure 33), engage the parking brake, shut off the engine, and remove the key
2. Unscrew the cap from the fuel tank.
3. Fill the fuel tank with the specified fuel until the fuel-gauge dial indicates that the tank is full.
4. Screw the cap onto the fuel tank.

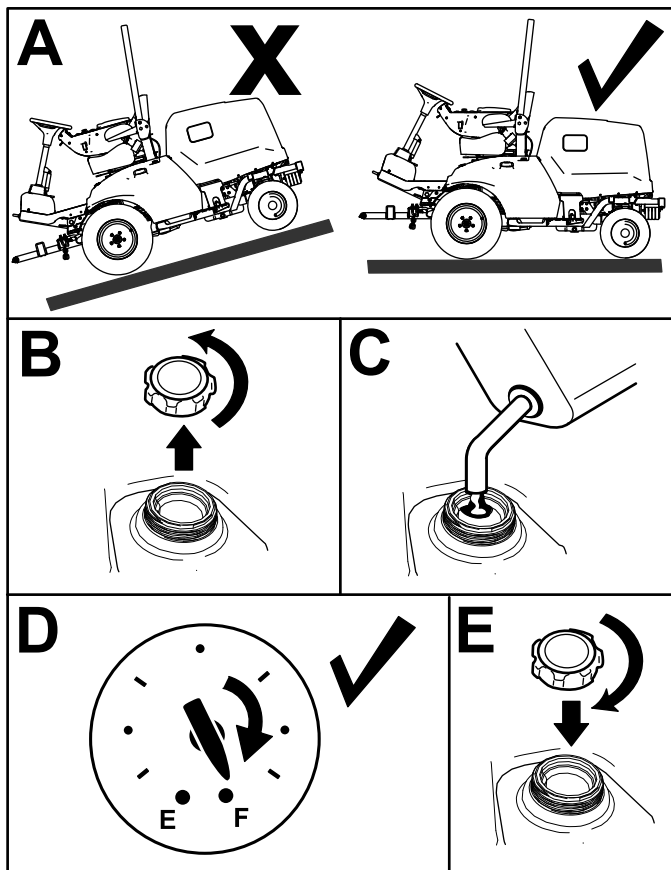


Figure 33

g287495

⚠ CAUTION

If the safety-interlock switches are disconnected or damaged, the machine could operate unexpectedly, causing personal injury.

- Do not tamper with the interlock switches.
- Check the operation of the interlock switches daily and replace any damaged switches before operating the machine.

1. Move the PTO switch to OFF position and remove your foot from traction pedal.
2. Rotate the key switch to the START position. If the engine cranks, proceed to step 3.

Note: If engine does not crank, there may be a malfunction in the safety-interlock system.

3. With the engine running, rise from the seat and set the PTO switch to the ON position. The engine should shut off within 2 seconds. If the engine shuts off, proceed to step 4.

Important: If engine does not shut off, there is a malfunction in the safety-interlock system. Refer to your authorized Toro distributor.

4. With the engine running and the PTO switch set to the OFF position, raise off the seat and press the traction pedal. The engine should shut off within 2 seconds. If engine shuts off, proceed to step 5.

Important: If engine does not shut off, there is a malfunction in the safety-interlock system. Refer to your authorized Toro distributor.

5. Engage the parking brake. With the engine running and the PTO switch set to the ON position, press the traction pedal. The engine should shut off within 2 seconds. If engine shuts off, the switch is operating correctly; the interlock system is ready for machine operation.

Important: If engine does not shut off, there is a malfunction in the safety-interlock system. Refer to your authorized Toro distributor.

Checking the Safety-Interlock System

Service Interval: Before each use or daily

The purpose of the safety-interlock system is to prevent the engine from cranking or starting unless the traction pedal is in neutral and the PTO switch is in the OFF position. In addition, the engine should stop when the following occurs:

- The PTO switch is set to the ON position and you are not in the seat.
- The traction pedal is pressed but you are not in the seat.
- The traction pedal is pressed and the parking brake is engaged.

Adjusting the Roll Bar

⚠ WARNING

A rollover can cause injury or death.

- Keep the roll bar in the raised locked position.
- Use the seat belt.

⚠ WARNING

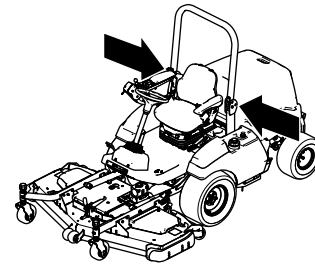
There is no rollover protection when the roll bar is lowered.

- Do not operate the machine on uneven ground or on a hill side with a lowered roll bar.
- Lower the roll bar only when absolutely necessary.
- Do not wear the seat belt when the roll bar is lowered.
- Drive slowly and carefully.
- Raise the roll bar as soon as clearance permits.
- Check carefully for overhead clearances (e.g., branches, doorways, or electrical wires) before driving under any objects and do not contact them.

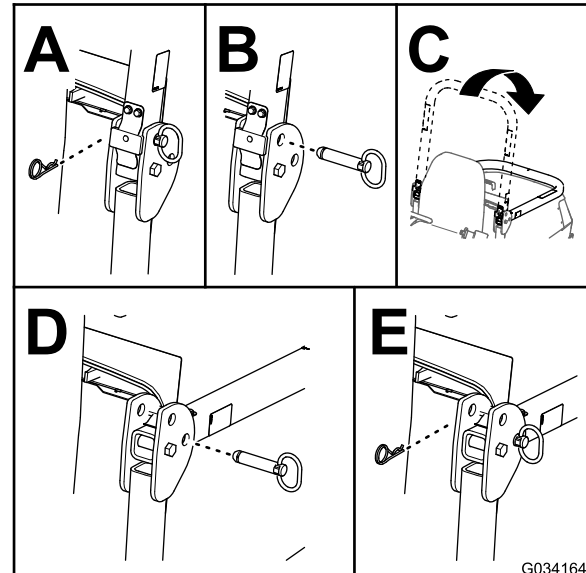
Lowering the Roll Bar

Important: Lower the roll bar only when absolutely necessary.

1. Park the machine on a level surface, engage the parking brake, lower the cutting unit, shut off the engine, and remove the key.
2. Remove the cotter pins and pins from the roll bar (Figure 34).
3. Lower the roll bar and secure it in place with the pins and cotter pins (Figure 34).



g257846



g034164

Figure 34

Raising the Roll Bar

1. Park the machine on a level surface, engage the parking brake, lower the cutting unit, shut off the engine, and remove the key from the key switch.
2. Remove the cotter pins and pins from the roll bar (Figure 35).
3. Raise the roll bar and secure it in place with the pins and cotter pins (Figure 35).

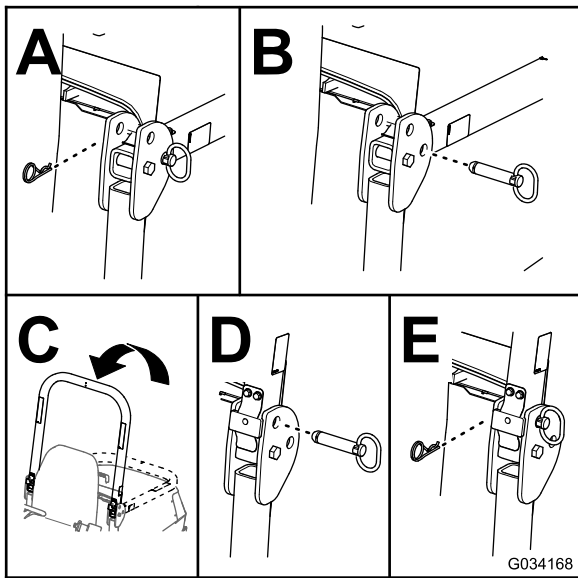


Figure 35

g034168

Understanding the Display-Screen Information

The display screen shows information about your machine, such as the operating status, various diagnostics, and other information about the machine. There are 2 main-information screens (Figure 36) and a main menu screen.

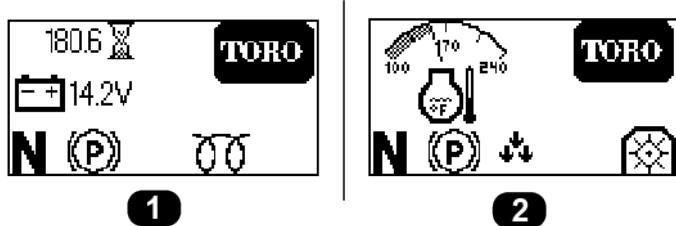


Figure 36

g308751

1. Battery level and hour meter screen
2. Engine temperature screen

Using the Display-Screen Button

Use the display-screen button (shown in Figure 37) to toggle between the 2 main-information screens and to access the main menu.

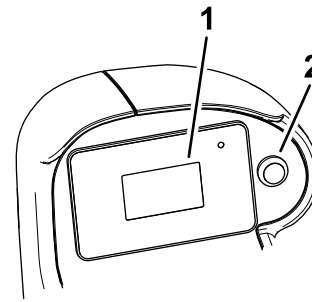


Figure 37

g297898

1. Display screen
2. Display-screen button

- **To access the main menu:** Hold down the display-screen button until the menu items appear on the screen.
- **To select a menu item:** Quickly press the display-screen button twice.

You can also perform this action to toggle an option (e.g., toggling between English or metric units in the SETTINGS screen).
- **To return to the previous screen** (e.g., returning to the MAIN MENU screen from the SETTINGS screen, or returning to the main-information screens from the MAIN MENU screen): Hold down the display-screen button until the previous screen appears.
- **To scroll down to the next menu item:** Press the display-screen button once.

Understanding the Menu Items

Main Menu

Menu Item	Description
FAULTS	Contains a list of the recent machine faults. Refer to the <i>Service Manual</i> or your authorized Toro distributor for more information on the FAULTS menu.
SERVICE	Contains information on the machine such as hours of use and counts. Refer to the Service (page 41) table.
DIAGNOSTICS	Lists various states and data that the machine currently has. You can use this information to troubleshoot certain issues, as it quickly tells you which machine controls are on/off and lists control levels (e.g., sensor values).



Main Menu (cont'd.)


SETTINGS	Allows you to customize and modify configuration variables on the InfoCenter display. Refer to the Settings (page 41) table.
ABOUT	Lists the model number, serial number, and software version of your machine. Refer to the About (page 41) table.

Service

Menu Item	Description
HOURS	Lists the total number of hours that the key, engine, and PTO have been on.
COUNTS	Lists the number of engine and PTO starts.

Settings

Menu Item	Description
UNITS	Controls the units used on the display screen. The menu choices are English or metric.
LANGUAGE	Controls the language used on the display screen.
BACKLIGHT	Controls the brightness of the display screen.
CONTRAST	Controls the contrast of the display screen.
PROTECTED MENUS	Allows a person authorized by your company with the PIN code to access protected menus (e.g., the slope sensor setting).
PROTECT SETTINGS	When disabled, you can access protected settings without entering the PIN code.
TURNAROUND 	Engages or disengages Turnaround mode.
SLOPE SENSOR INSTALLED 	Shows whether or not a slope sensor is installed. If a slope sensor is removed from the machine, this setting can be disabled to clear the slope-sensor communication fault.

 Protected under Protected Menus—accessible only by entering PIN

Diagnostics

Menu Item	Description
DECK	Indicates if the cutting unit inputs/outputs are active.

Diagnostics (cont'd.)

PTO	Indicates if the PTO is active.
ENGINE	Indicates if the engine inputs/outputs are active.











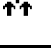


About

Menu Item	Description
MODEL	Lists the model number of the machine.
SN	Lists the serial number of the machine.
S/W REV	Lists the software revision of the master controller.

Understanding the Display-Screen Icons

Refer to the following table for a description of each display-screen icon:

Display-Screen Icons

	Engine speed
	Engine fault
	Hour meter
	Air intake heater is active
	Operator must sit in seat
	Parking brake is engaged
	Neutral
	PTO is engaged
	PTO is disabled
	Indicates when the cutting units are being lowered
	Indicates when the cutting units are being raised
PIN	PIN passcode
	Battery
	Coolant temperature

Accessing the Protected Menus

Note: The factory default PIN code for your machine is “1234”.

If you changed the PIN code and forgot the code, contact your authorized Toro distributor for assistance.

1. Select the **SETTINGS** option.
2. Select the **PROTECTED MENUS** option.
3. To enter the PIN code, press the display-screen button until the appropriate digit appears, then quickly press the display-screen button twice to move to the next digit.
4. After all four digits are entered, press the display button once to submit the PIN code.

If the PIN code has been entered correctly, the PIN icon will appear at the top right of all menu screens.

During Operation

During Operation Safety

General Safety

- The owner/operator can prevent and is responsible for accidents that may cause personal injury or property damage.
- Wear appropriate clothing, including eye protection; long pants; substantial, slip-resistant footwear; and hearing protection. Tie back long hair and do not wear loose clothing or loose jewelry. Wear a dust mask in dusty operating conditions.
- Do not operate the machine while ill, tired, or under the influence of alcohol or drugs.
- Use your full attention while operating the machine. Do not engage in any activity that causes distractions; otherwise, injury or property damage may occur.
- Before you start the engine, ensure that all drives are in neutral, the parking brake is engaged, and you are in the operating position.
- Do not carry passengers on the machine and keep bystanders and children out of the operating area.
- Operate the machine only in good visibility to avoid holes or hidden hazards.
- Avoid mowing on wet grass. Reduced traction could cause the machine to slide.
- Keep your hands and feet away from rotating parts. Keep clear of the discharge opening.
- Look behind and down before backing up to be sure of a clear path.

- Use care when approaching blind corners, shrubs, trees, or other objects that may obscure your vision.
- Stop the blades whenever you are not mowing.
- Stop the machine, remove the key, and wait for all moving parts to stop before inspecting the attachment after striking an object or if there is an abnormal vibration in the machine. Make all necessary repairs before resuming operation.
- Slow down and use caution when making turns and crossing roads and sidewalks with the machine. Always yield the right-of-way.
- Disengage the drive to the cutting unit, shut off the engine, remove the key, and wait for all movement to stop before adjusting the height of cut (unless you can adjust it from the operating position).
- Operate the engine only in well-ventilated areas. Exhaust gases contain carbon monoxide, which is lethal if inhaled.
- Never leave a running machine unattended.
- Before you leave the operator's position, do the following:
 - Park the machine on a level surface.
 - Disengage the power takeoff and lower the attachments.
 - Engage the parking brake.
 - Shut off the engine and remove the key.
 - Wait for all movement to stop.
- Operate the machine only in good visibility. Do not operate the machine when there is the risk of lightning.
- Do not use the machine as a towing vehicle.
- Use accessories, attachments, and replacement parts approved by Toro only.
- Use the cruise control (if equipped) only when you can operate the machine in an open, flat area that is free from obstacles and where the machine can move at a constant speed without interruption.

Rollover Protection System (ROPS) Safety

- The ROPS is an integral and effective safety device.
- Do not remove any of the ROPS components from the machine.
- Ensure that the seat belt is attached to the machine.
- Pull the belt strap over your lap and connect the belt to the buckle on the other side of the seat.

- To disconnect the seat belt, hold the belt, press the buckle button to release the belt, and guide the belt into the auto-retract opening. Ensure that you can release the belt quickly in an emergency.
- Check carefully for overhead obstructions and do not contact them.
- Keep the ROPS in safe operating condition by thoroughly inspecting it periodically for damage and keeping all the mounting fasteners tight.
- Replace damaged ROPS components. Do not repair or alter them.

Additional ROPS Safety for Machines with a Cab or a Fixed Roll Bar

- A cab installed by Toro is a roll bar.
- Always wear your seat belt.

Additional ROPS Safety for Machines with a Foldable Roll Bar

- Keep a folding roll bar in the raised and locked position, and wear your seat belt when operating the machine with the roll bar in the raised position.
- Lower a folding roll bar temporarily only when necessary. Do not wear the seat belt when the roll bar is folded down.
- Be aware that there is no rollover protection when a folded roll bar is in the down position.
- Check the area that you will be mowing and never fold down a folding roll bar in areas where there are slopes, drop-offs, or water.

Slope Safety

- Slopes are a major factor related to loss of control and rollover accidents, which can result in severe injury or death. You are responsible for safe slope operation. Operating the machine on any slope requires extra caution.
- Evaluate the site conditions to determine if the slope is safe for machine operation, including surveying the site. Always use common sense and good judgment when performing this survey.
- Review the slope instructions listed below for operating the machine on slopes and to determine whether you can operate the machine in the conditions on that day and at that site. Changes in the terrain can result in a change in slope operation for the machine.
- Avoid starting, stopping, or turning the machine on slopes. Avoid making sudden changes in speed or direction. Make turns slowly and gradually.

- Do not operate a machine under any conditions where traction, steering, or stability is in question.
- Remove or mark obstructions such as ditches, holes, ruts, bumps, rocks, or other hidden hazards. Tall grass can hide obstructions. Uneven terrain could overturn the machine.
- Be aware that operating the machine on wet grass, across slopes, or downhill may cause the machine to lose traction. Loss of traction to the drive wheels may result in sliding and a loss of braking and steering.
- Use extreme caution when operating the machine near drop-offs, ditches, embankments, water hazards, or other hazards. The machine could suddenly roll over if a wheel goes over the edge or the edge caves in. Establish a safety area between the machine and any hazard.
- Identify hazards at the base of the slope. If there are hazards, mow the slope with a pedestrian-controlled machine.
- If possible, keep the cutting unit(s) lowered to the ground while operating on slopes. Raising the cutting unit(s) while operating on slopes can cause the machine to become unstable.
- Use extreme caution with grass-collection systems or other attachments. These can change the stability of the machine and cause a loss of control.

Starting the Engine

1. **Model 31900A and 31901A machines:** Ensure that the fuel-valve lever is in the ON position; refer to [Figure 60](#).
2. Sit on the operator's seat and fasten the seat belt.
3. Ensure that the parking brake is engaged and the PTO is disengaged.
4. Preheat the engine by rotating the key switch to the ON position.
5. Press and hold the glow-plug switch for 10 seconds.
6. Rotate the key to the START position, crank the engine for no longer than 15 seconds, and allow the key to return to the ON position.

Note: If additional preheating is required, turn the key to the OFF position, then to the ON/PREHEAT position. Repeat this process as needed.

7. Move the throttle to idle speed or partial throttle and run the engine until it warms up.

Resetting the PTO Function

Note: If you leave the operator's seat while the PTO switch is in the ON position, the machine will automatically shut off the engine.

Perform the following to reset the PTO function:

1. Push down the PTO switch.
2. Start the engine; refer to [Starting the Engine \(page 43\)](#).
3. Pull up the PTO switch.

Understanding Turnaround Mode

Engage the turnaround mode whenever you install the flail mower (Model 02835).

Turnaround mode allows you to quickly raise the flail mower above the turf when completing a quick turn at the end of a mowing pass, or while navigating around obstacles.

When you lower the flail mower to the OPERATING position, you can quickly press and release the attachment lift switch rearward to slightly raise the flail when you perform a quick turn. Once you have completed the turn, press the lift switch to lower the flail back to the ground and resume mowing.

Shutting Off the Engine

1. Use the throttle control to lower the engine speed.
2. Move the PTO switch to the OFF position.
3. Rotate the key switch to the OFF position and remove the key from the switch.

After Operation

After Operation Safety

General Safety

- Shut off the engine, remove the key, and wait for all movement to stop before you leave the operator's position. Allow the machine to cool before adjusting, servicing, cleaning, or storing it.
- Clean grass and debris from the cutting units, mufflers, and engine compartment to help prevent fires. Clean up oil or fuel spills.
- If the cutting units are in the transport position, use the positive mechanical lock (if available) before you leave the machine unattended.

- Allow the engine to cool before storing the machine in any enclosure.
- Remove the key and shut off the fuel (if equipped) before storing or hauling the machine.
- Never store the machine or fuel container where there is an open flame, spark, or pilot light, such as on a water heater or on other appliances.
- Maintain and clean the seat belt(s) as necessary

Servicing the Cutting Unit

You can rotate the cutting unit from the TRANSPORT position (A in [Figure 38](#)) to the SERVICE position (B in [Figure 38](#)). Use the SERVICE position to maintain the cutting unit blades or clean underneath the cutting unit; refer to your cutting unit *Operator's Manual*.

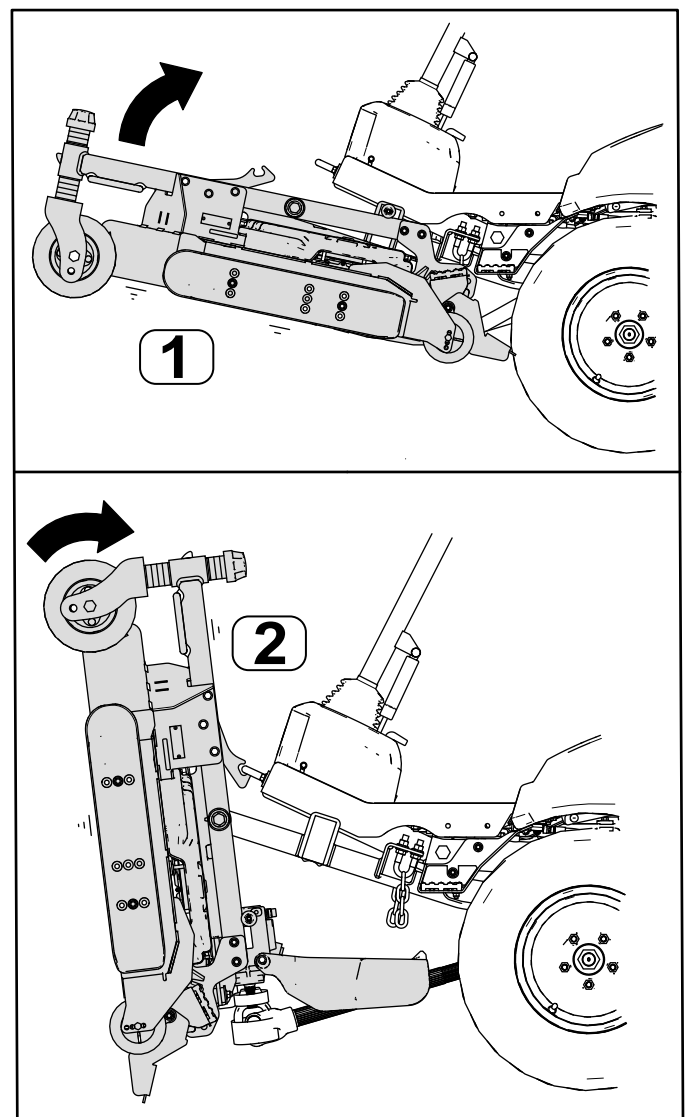


Figure 38

1. TRANSPORT position 2. SERVICE position

g258473

Rotating the Cutting Unit to the SERVICE Position

Perform this procedure to rotate the cutting unit from the TRANSPORT position to the SERVICE position.

⚠ WARNING

If you leave the key in the switch, someone could accidentally start the engine and seriously injure you or bystanders.

Remove the key from the switch and do not start the engine with the cutting unit in the SERVICE position.

1. Park the machine on a level surface.
2. Press the lift switch to raise the cutting unit to the TRANSPORT position.
3. Engage the parking brake, shut off the engine, and remove the key.
4. Remove the pins from the height-of-cut plates (Figure 39).

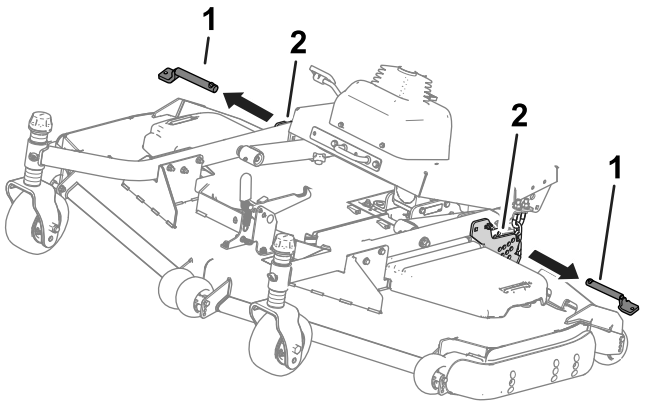


Figure 39

g258474

1. Height-of-cut pins
2. Height-of-cut plates

5. Rotate the cutting unit (Figure 40) so that the latch engages with the tie-down bracket (Figure 41).

⚠ WARNING

The cutting unit is heavy.

Use assistance when you lift the cutting unit.

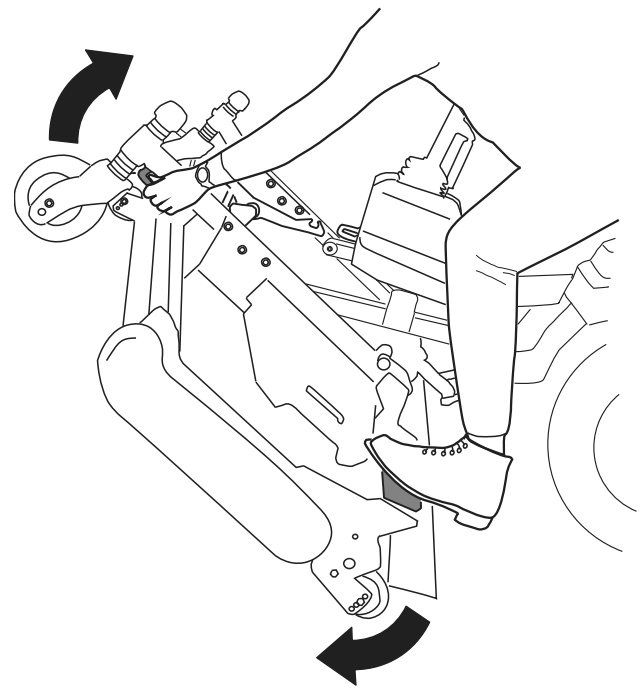


Figure 40

g298275

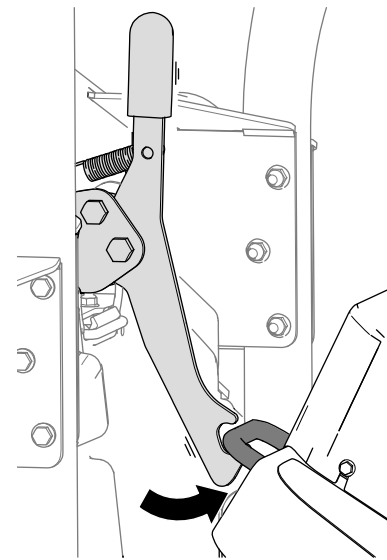


Figure 41

g298276

Rotating the Cutting Unit to the TRANSPORT Position

Perform this procedure to rotate the cutting unit from the SERVICE position to the TRANSPORT position.

1. Release the cutting-unit latch from the tie-down bracket (Figure 42) by rotating the cutting unit slightly forward (refer to Figure 40) and pulling the latch handle forward.

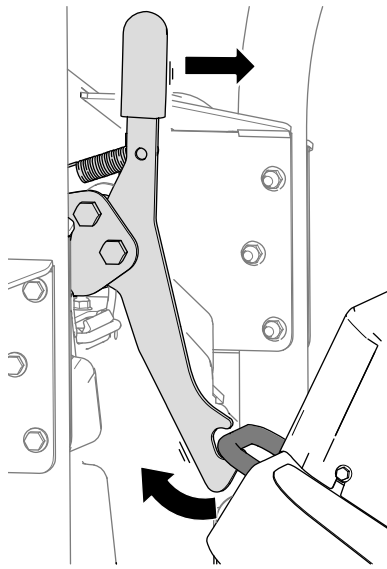


Figure 42

g298277

2. Slowly rotate the cutting unit down until the pin contacts the lift-arm plate (A in Figure 43).

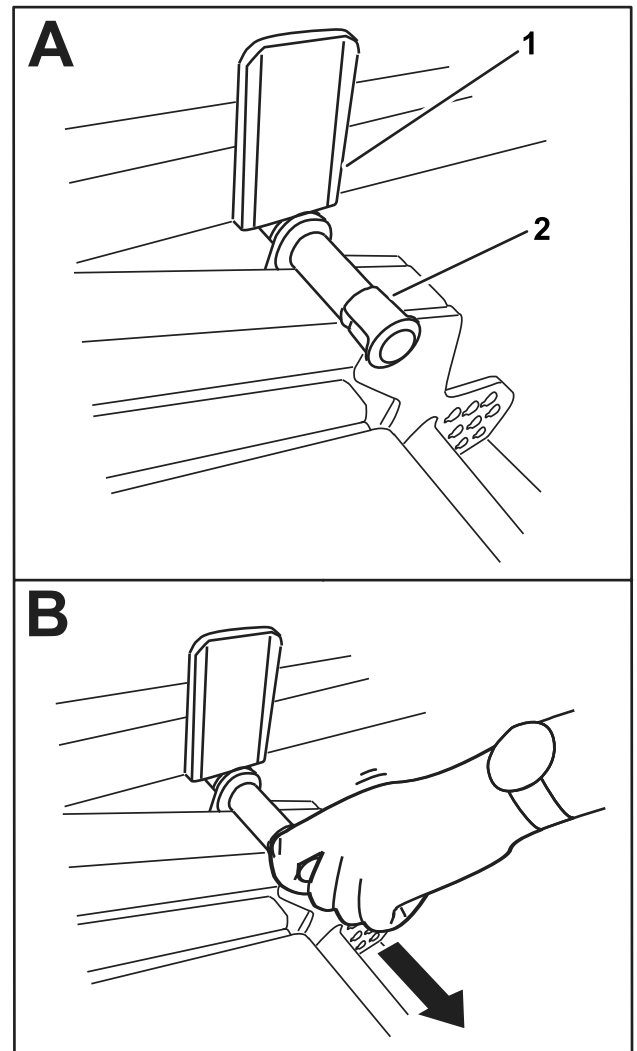


Figure 43

g298288

1. Lift-arm plate
2. Pin

3. Use your foot to press down on the cutting unit, then pull out on the pin (B in Figure 43) to let the cutting unit settle into the TRANSPORT position.
4. Insert the height-of-cut pins through the height-of-cut plates and chains.

Towing the Machine

If you must tow or push the machine, set the traction pump to bypass the hydraulic fluid. **Move the machine at a speed below 4.8 kph (3 mph) for a very short distance.**

Important: If you exceed towing limits, severe damage to the hydraulic pump may result.

If you must move the machine more than a short distance, transport it on a trailer.

1. Access the bypass valve from under the machine.

Hauling the Machine

- Use care when loading or unloading the machine into a trailer or a truck.
- Use full-width ramps for loading the machine into a trailer or a truck.
- Tie the machine down securely.
- Remove the key before storing or hauling the machine.

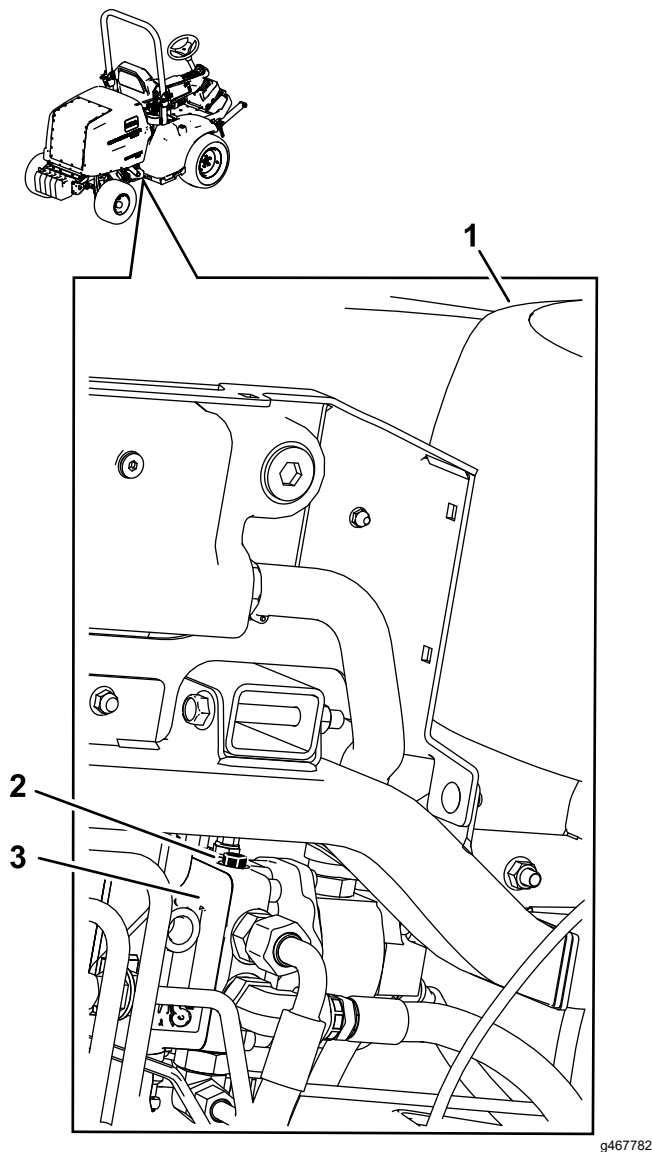


Figure 44
Bottom View

- | | |
|---------------------|------------------|
| 1. Right-front tire | 3. Traction pump |
| 2. Bypass valve | |

2. Use a 14 mm (9/16 inch) box-end wrench to loosen the bypass valve, then open the valve no more than 3 revolutions.

Important: Do not start or run the engine when the valve is set to the bypass position.

3. After towing and before starting the engine, tighten the bypass valve to 12 N·m (9 ft-lb).

Maintenance

Note: Determine the left and right sides of the machine from the normal operating position.

Note: Download a free copy of the electrical or hydraulic schematic by visiting www.Toro.com and searching for your machine from the Manuals link on the home page.

Maintenance Safety

- Before you leave the operator’s position, do the following:
 - Park the machine on a level surface.
 - Disengage the power takeoff and lower the attachments.
 - Engage the parking brake.
 - Shut off the engine and remove the key.
 - Wait for all movement to stop.
- If you leave the key in the switch, someone could accidentally start the engine and seriously injure you or other bystanders. Remove the key from the switch before you perform any maintenance.
- Allow machine components to cool before performing maintenance.
- If the cutting units are in the transport position, use the positive mechanical lock (if equipped) before you leave the machine unattended.
- If possible, do not perform maintenance while the engine is running. Keep away from moving parts.
- Support the machine with jack stands whenever you work under the machine.
- Carefully release pressure from components with stored energy.
- Keep all parts of the machine in good working condition and all hardware tightened, especially blade-attachment hardware.
- Replace all worn or damaged decals.
- To ensure safe, optimal performance of the machine, use only genuine Toro replacement parts. Replacement parts made by other manufacturers could be dangerous, and such use could void the product warranty.

Recommended Maintenance Schedule(s)

Maintenance Service Interval	Maintenance Procedure
After the first hour	<ul style="list-style-type: none"> • Torque the wheel-lug nuts.
After the first 10 hours	<ul style="list-style-type: none"> • Torque the wheel-lug nuts. • Check the alternator-belt tension.
After the first 50 hours	<ul style="list-style-type: none"> • Check the alternator-belt tension.
After the first 1000 hours	<ul style="list-style-type: none"> • Change the hydraulic fluid and hydraulic filter.
Before each use or daily	<ul style="list-style-type: none"> • Check the air pressure in the tires. • Check the interlock system. • Grease the PTO driveshaft (cross-bearings and telescoping splines). • Check the engine-oil level. • Check the air-cleaner restriction indicator and replace the filter elements if necessary. • Check the cooling system and the coolant level. • Remove debris from the engine area, oil cooler, fuel cooler, and radiator (clean them more frequently in dirty or dusty conditions). • Check the hydraulic-fluid level.
Every 50 hours	<ul style="list-style-type: none"> • Grease the bearings and bushings. • Drain water or other contaminants from the fuel/water separator. • Check the battery-cable connections. • Check the battery condition; clean the battery if needed. • Check the battery-electrolyte level when in operation (if applicable). • Check the hood-air-intake screen. • Check and clean the hood-air-intake screen.
Every 100 hours	<ul style="list-style-type: none"> • Check the alternator-belt condition and tension. • Check the traction-belt condition.

Maintenance Service Interval	Maintenance Procedure
Every 200 hours	<ul style="list-style-type: none"> • Torque the wheel-lug nuts. • Inspect the cooling-system hoses. • Adjust the PTO-clutch gap.
Every 250 hours	<ul style="list-style-type: none"> • Change the engine oil and filter (when the machine is used in dirty or dusty conditions) [Models 31900 and 31901 only]. • Change the air-cleaner element. • Check and clean the cooling fins (clean them more frequently in dirty or dusty conditions).
Every 400 hours	<ul style="list-style-type: none"> • Replace the fuel/water separator. • Replace the fuel filter. • Inspect the fuel lines and connections. • Check the parking brake and adjust if needed. • Clean the cab air filters; replace them if they are torn or excessively dirty.
Every 500 hours	<ul style="list-style-type: none"> • Change the engine oil and filter.
Every 800 hours	<ul style="list-style-type: none"> • Change the hydraulic filter (if you are not using the recommended hydraulic fluid or have ever filled the hydraulic tank with alternative fluid). • Change the hydraulic fluid (if you are not using the recommended hydraulic fluid or have ever filled the hydraulic tank with alternative fluid).
Every 1,000 hours	<ul style="list-style-type: none"> • Change the hydraulic filter (if you are using the recommended hydraulic fluid).
Every 1,500 hours	<ul style="list-style-type: none"> • Change the engine coolant
Every 2,000 hours	<ul style="list-style-type: none"> • Change the hydraulic fluid (if you are using the recommended hydraulic fluid).
Monthly	<ul style="list-style-type: none"> • Check the battery-electrolyte level when the machine is in storage (if applicable).
Yearly	<ul style="list-style-type: none"> • Drain and clean the fuel tank
Every 2 years	<ul style="list-style-type: none"> • Replace moving hoses.

Important: Refer to your engine owner’s manual for additional maintenance procedures.

Daily Maintenance Checklist

Duplicate this page for routine use.

Maintenance Check Item	For the week of:						
	Mon.	Tues.	Wed.	Thurs.	Fri.	Sat.	Sun.
Check the safety-interlock operation.							
Check that the ROPS is fully raised and locked in position.							
Check the parking-brake operation.							
Check the fuel level.							
Check the engine-oil level.							
Check the cooling-system-fluid level.							
Drain the water/fuel separator.							
Check the air-filter indicator. ³							
Check the cooler and screen for debris.							

Maintenance Check Item	For the week of:						
	Mon.	Tues.	Wed.	Thurs.	Fri.	Sat.	Sun.
Check for unusual engine noises. ¹							
Check for unusual operating noises.							
Check the hydraulic hoses for damage.							
Check for fluid leaks.							
Check the tire pressure.							
Check the instrument operation.							
Lubricate all the grease fittings. ²							
Touch up any damaged paint.							
Inspect the seat belt.							

¹Check the glow plug and injector nozzles if the engine is hard to start, there is excess smoke, or the engine runs rough

²Immediately after every washing, regardless of the interval listed

³If the indicator shows red

Notation for Areas of Concern		
Inspection performed by:		
Item	Date	Information

Pre-Maintenance Procedures

Raising the Machine

⚠ DANGER

Mechanical or hydraulic jacks may fail to support the machine and cause a serious injury.

- Use jack stands to support the raised machine.
- Use only mechanical or hydraulic jacks to lift the machine.

Raising the Front of the Machine

Important: Ensure that no cables or hydraulic components are between the jack and the frame.

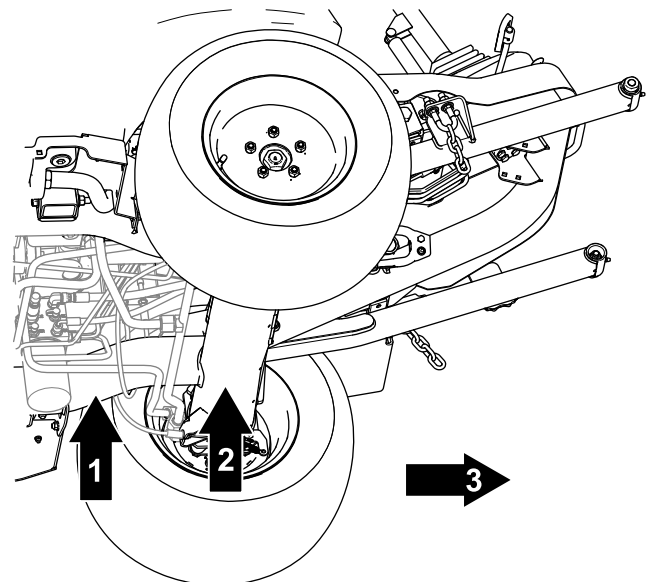


Figure 45

1. Front jacking point—frame
2. Front jack stand point—front axle tube
3. Front of the machine tube

g299729

1. Chock the 2 rear wheels with chocks to prevent the machine from moving.
2. Position the jack securely under the desired jacking point.
3. After raising the front of the machine, use an appropriate jack stand under the machine frame to support the machine.

Raising the Rear of the Machine

Important: Ensure that no cables or hydraulic components are between the jack and the frame.

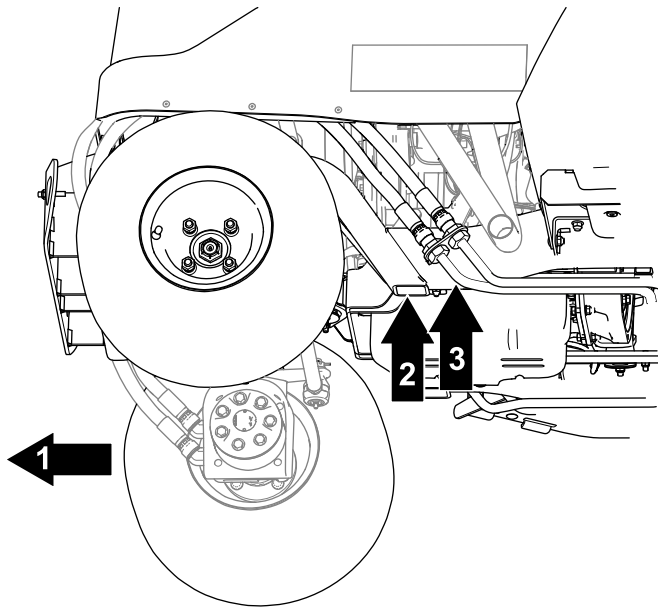


Figure 46

g299730

1. Rear of the machine
2. Rear jacking point—frame tube
3. Rear jack stand point—frame tube

1. Chock the 2 front wheels with chocks to prevent the machine from moving.
2. Position the jack securely under the desired jacking point.

Important: 4-wheel-drive machines have hydraulic lines that run close to the frame. Ensure that your jack is positioned so that the hydraulic lines are not damaged while the machine is raised.

3. After raising the front of the machine, use an appropriate jack stand under the machine frame to support the machine.

Raising the Hood

1. Release the straps from each side of the machine (Figure 47).

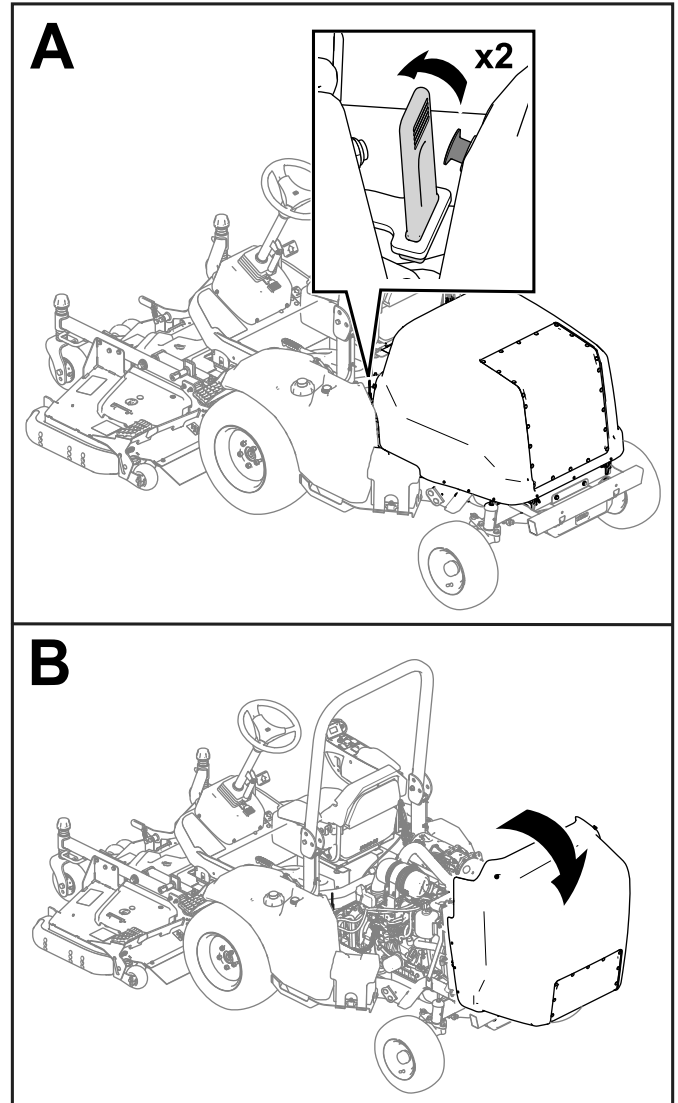


Figure 47

g285428

2. Raise the hood (Figure 47).

Note: If your machine is equipped with a hood lock, use a key to unlock and raise the hood.

Lubrication

Greasing the Bearings and Bushings

Service Interval: Before each use or daily—Grease the PTO driveshaft (cross-bearings and telescoping splines).

Every 50 hours—Grease the bearings and bushings.

The machine has grease fittings that you must lubricate regularly with No. 2 lithium grease.

Important: Lubricate the machine immediately after every washing.

- Idler arm (Figure 48)

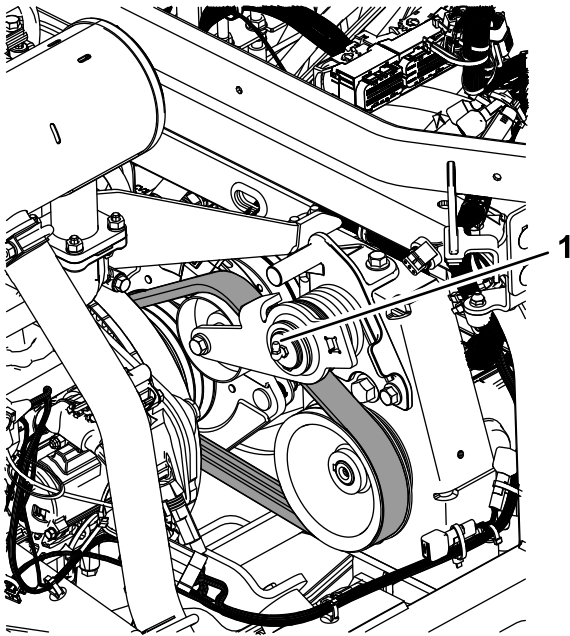


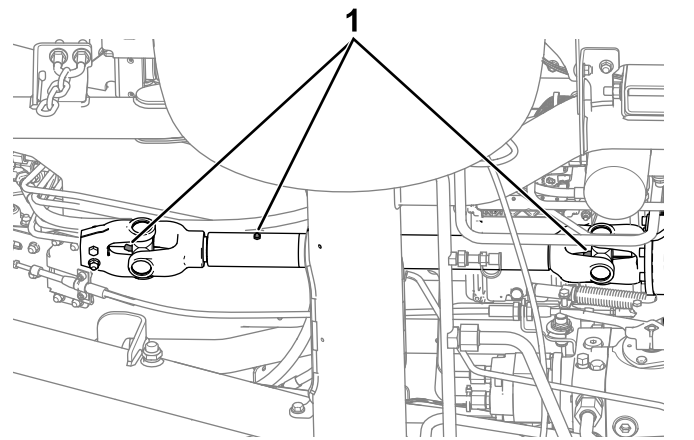
Figure 48

g467780

1. Idler arm

- PTO driveshaft (Figure 49)

Important: Grease the driveshaft before each use or daily.

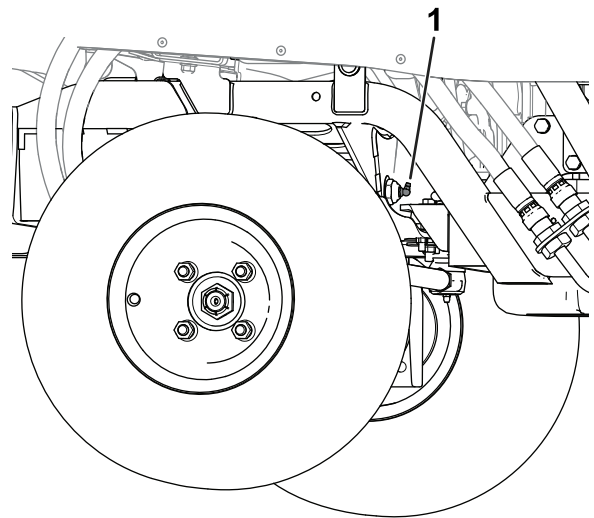


g303694

Figure 49

1. Grease fittings

- Axle pivot pin (Figure 50)



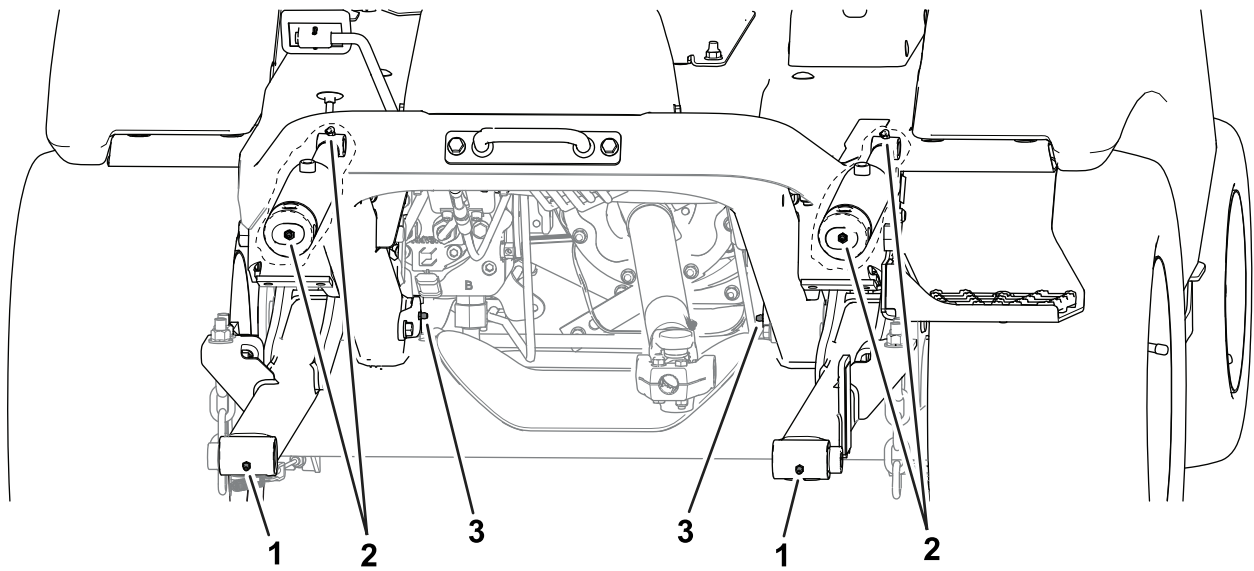
g308668

Figure 50

1. Axle pivot pin

- Front of the machine (Figure 51):

- Attachment pivot hubs (2)
- Lift-cylinder bushings (2)
- Lift-arm pivot pins (2)

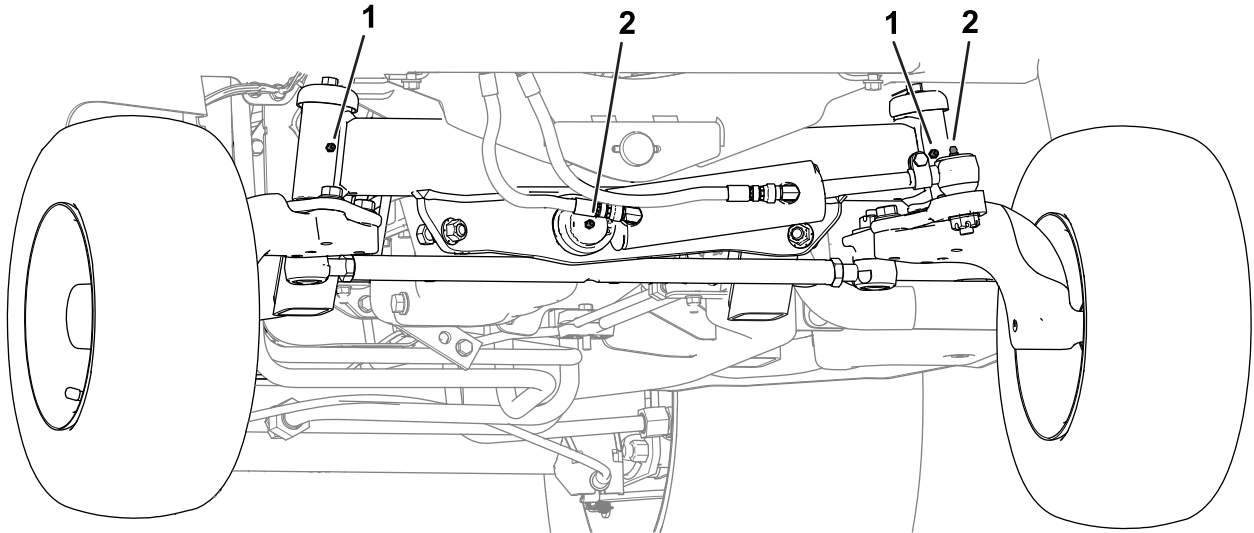


g285509

Figure 51
Front of the machine

- 1. Attachment pivot hubs
- 2. Lift-cylinder bushings
- 3. Lift-arm pivot hubs

- **Rear of the machine (Figure 52):**
 - Hydraulic-cylinder ball joint (2)
 - Axle spindle hubs (2)



g353292

Figure 52
Rear of the machine (bumper removed)

- 1. Axle spindle hubs
- 2. Steering-cylinder ball joint

Engine Maintenance

Engine Safety

- Shut off the engine and remove the key before checking the oil or adding oil to the crankcase.
- Do not change the governor speed or overspeed the engine.

Servicing the Engine Oil

Understanding the Engine-Oil Specifications

Oil Type: Use high-quality, low-ash engine oil that meets or exceeds the following specifications:

- API service category CJ-4 or higher
- ACEA service category E6
- JASO service category DH-2

Crankcase Capacity: Approximately 3.4 L (3.6 US qt) with the filter.

Viscosity: Use the following engine oil viscosity grade:

- Preferred oil: SAE 15W-40 (above 0°F)
- Alternate oil: SAE 10W-30 or 5W-30 (all temperatures)

Toro Premium Engine Oil is available from your authorized Toro distributor in either 15W-40 or 10W-30 viscosity grades.

Checking the Engine-Oil Level

Service Interval: Before each use or daily

The best time to check the engine oil is when the engine is cool before it has been started for the day. If the engine has already been run, allow the oil to drain back down to the sump for at least 10 minutes before checking.

If the oil level is at or below the Add mark on the dipstick, add oil to bring the oil level to the Full mark.

Do not overfill the engine with oil.

Important: Check the engine oil daily. If the engine-oil level is above the Full mark on the dipstick, the engine oil may be diluted with fuel. If the engine-oil level is above the Full mark, change the engine oil.

Important: Keep the engine-oil level between the upper and lower limits on the dipstick. The engine may fail if you run it with too much or too little oil.

1. Raise the hood; refer to [Raising the Hood \(page 51\)](#).
2. Check the engine-oil level; refer to [Figure 53](#).

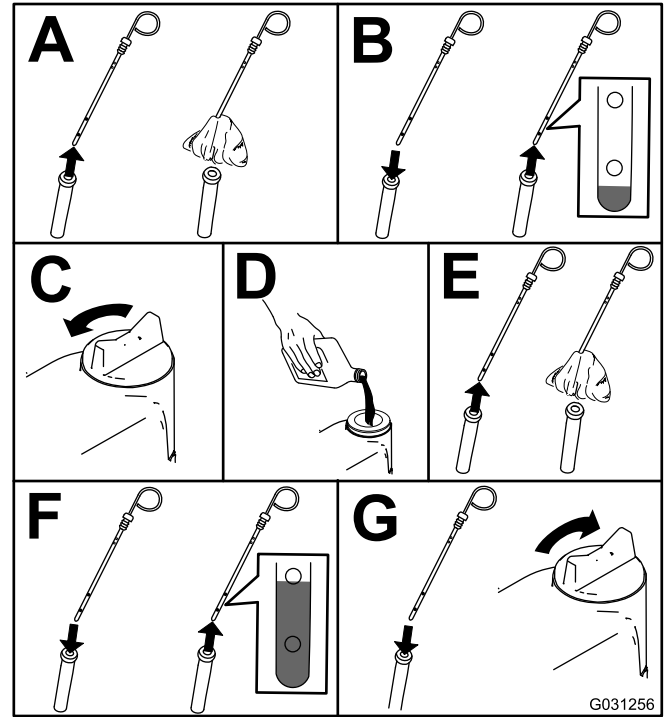


Figure 53

Changing the Engine Oil and Filter

Service Interval: Every 500 hours—Change the engine oil and filter.

Every 250 hours—Change the engine oil and filter (when the machine is used in dirty or dusty conditions) [**Models 31900 and 31901 only**].

1. Start the engine and let it run 5 minutes to allow the oil to warm up.
2. With the machine parked on a level surface, engage the parking brake, shut off the engine, remove the key, and wait for all moving parts to stop before leaving the operating position.
3. Change the engine oil as shown in [Figure 54](#).

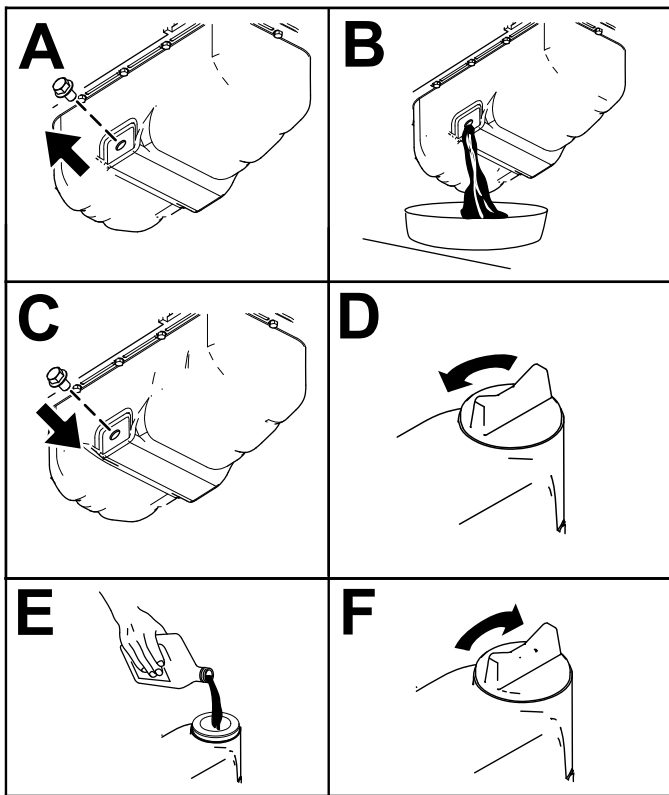


Figure 54

g297639

4. Change the engine-oil filter as shown in [Figure 55](#).

Note: Ensure that the oil-filter gasket touches the engine, and then an extra $3/4$ turn is completed.

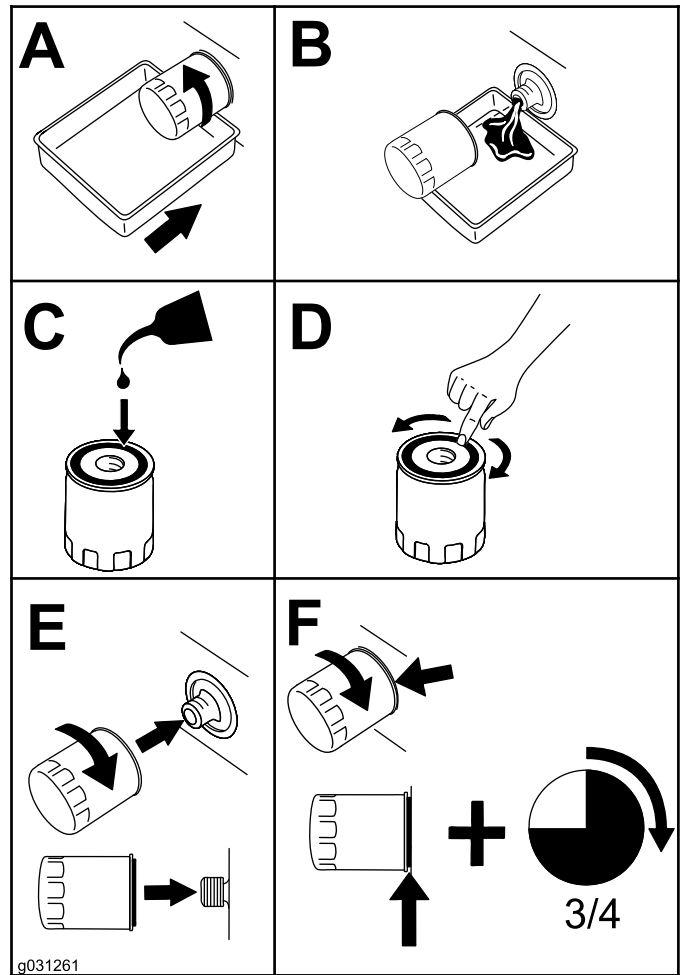


Figure 55

g031261

g031261

Servicing the Air Cleaner

Service Interval: Before each use or daily—Check the air-cleaner restriction indicator and replace the filter elements if necessary.

Every 250 hours—Change the air-cleaner element.

Check the air-cleaner body for damage, which could cause an air leak. Replace the body if it is damaged. Check the intake system for leaks, damage, or loose hose clamps

Service the air-cleaner element only when the restriction indicator (Figure 56) requires it. Changing the air cleaner element before it is necessary increases the chance of dirt entering the engine when you remove the element.

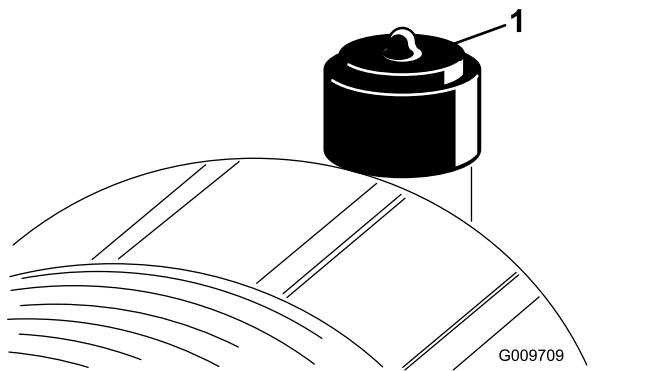


Figure 56

1. Air-cleaner restriction indicator

Important: Ensure that the cover is seated correctly and seals with the air-cleaner body and that the latches are closed properly.

1. Replace the air filter element (Figure 57).

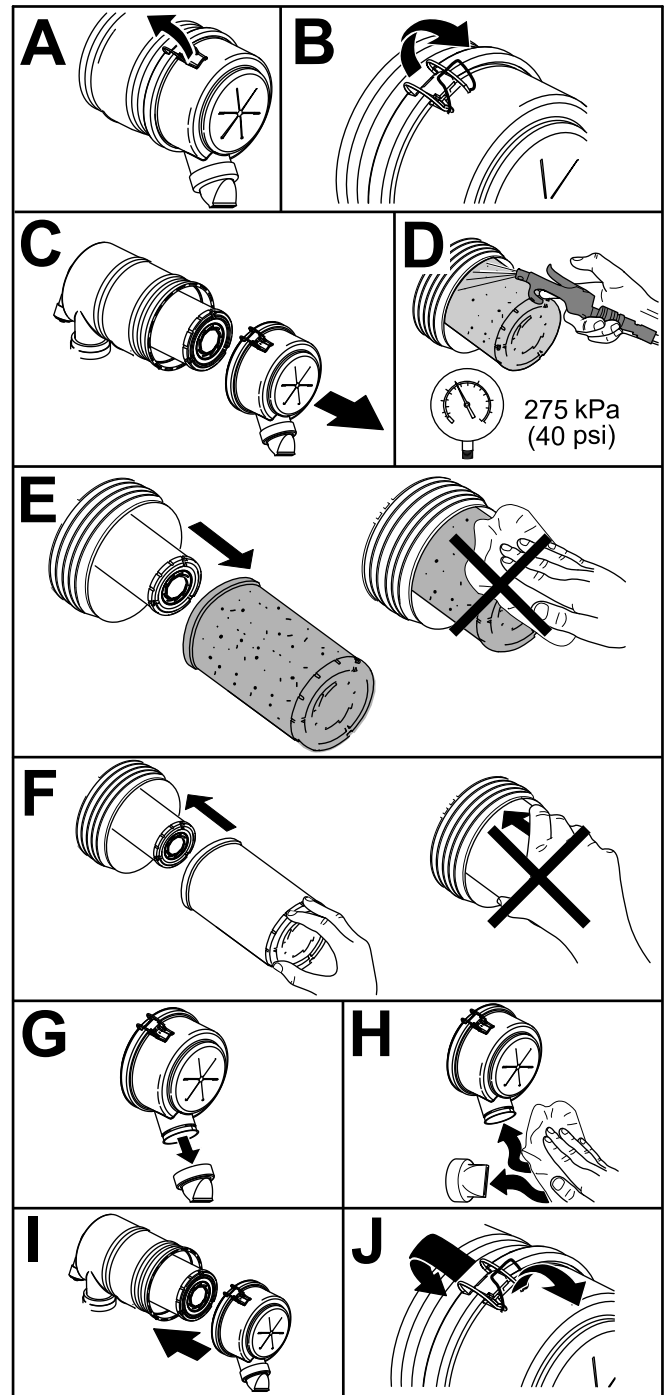


Figure 57

Important: Do not clean a used element; cleaning it can damage the filter media.

2. Reset the restriction indicator (Figure 56) if it shows red.

Fuel System Maintenance

⚠ DANGER

Under certain conditions, diesel fuel and fuel vapors are highly flammable and explosive. A fire or explosion from fuel can burn you and others and can cause property damage.

Never smoke when handling fuel, and stay away from an open flame or where a spark may ignite fuel fumes.

Draining Water from the Fuel/Water Separator

Service Interval: Every 50 hours

Drain water from the fuel/water separator as shown in [Figure 58](#).

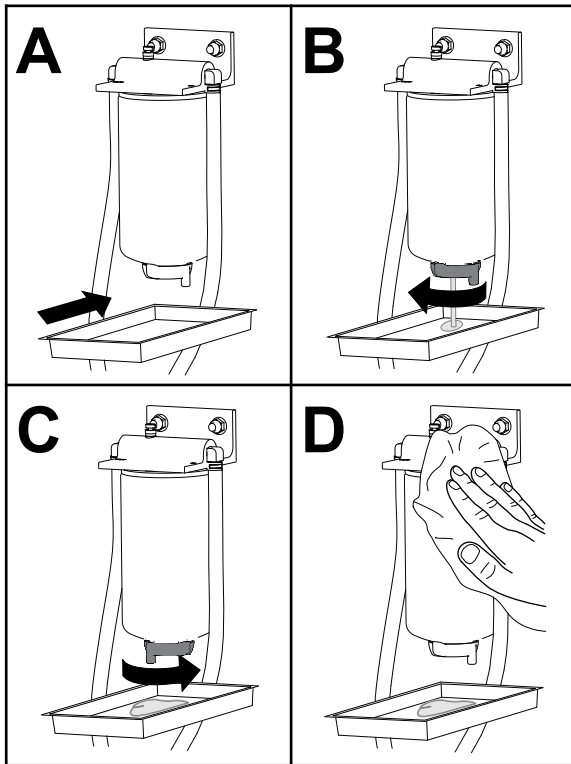


Figure 58

g225506

Servicing the Fuel/Water Separator

Service Interval: Every 400 hours

Replace the fuel/water separator as shown in [Figure 59](#).

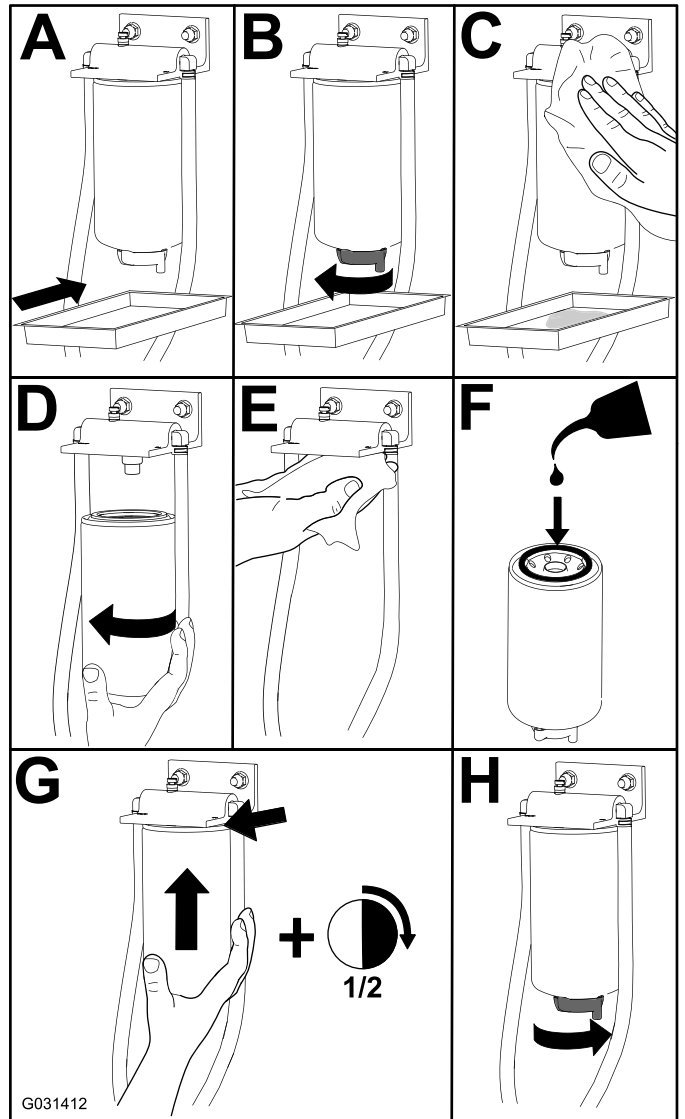


Figure 59

g031412

Servicing the Fuel Filter

Service Interval: Every 400 hours

Servicing the Fuel Filter

Models 31900 and 31901

1. Rotate the fuel-valve lever to the OFF position (Figure 60).
2. Clean the area around the fuel-filter head (Figure 60).

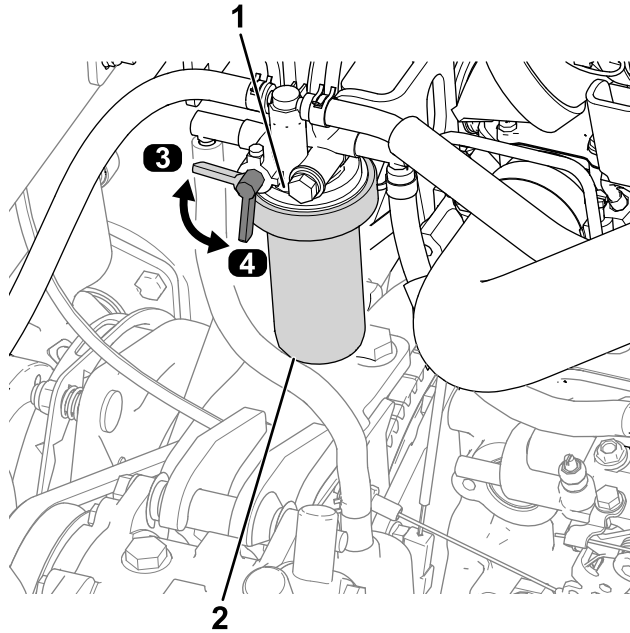


Figure 60

g312905

- | | |
|---------------------|------------------------------------|
| 1. Fuel-filter head | 3. OFF position (fuel-valve lever) |
| 2. Fuel filter | 4. ON position (fuel-valve lever) |

3. Remove the filter and clean the filter head mounting surface (Figure 60).
4. Lubricate the filter gasket with clean lubricating engine oil; refer to the engine owner's manual for additional information.
5. Install the dry filter canister by hand until the gasket contacts the filter head, then rotate it an additional 1/2 turn.
6. Rotate the fuel-valve lever to the ON position (Figure 60).
7. Start the engine and check for fuel leaks around the filter head.

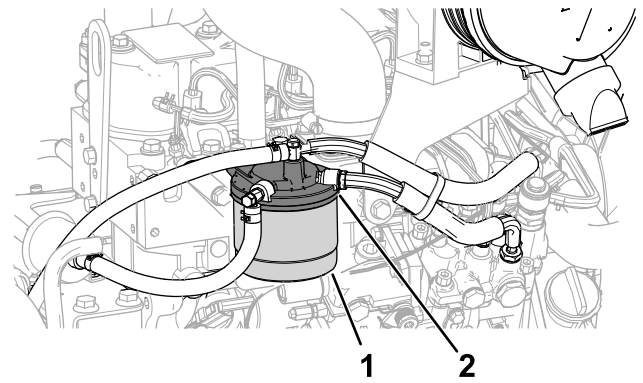


Figure 61

g326083

- | | |
|----------------|---------------------|
| 1. Fuel filter | 2. Fuel-filter head |
|----------------|---------------------|

2. Remove the filter and clean the filter head mounting surface (Figure 61).
3. Lubricate the filter gasket with clean lubricating engine oil; refer to the engine owner's manual for additional information.
4. Install the dry filter canister by hand until the gasket contacts the filter head, then rotate it an additional 1/2 turn.
5. Start the engine and check for fuel leaks around the filter head.

Servicing the Fuel Filter

Models 31907 and 31909

1. Clean the area around the fuel-filter head (Figure 61).

Cleaning the Fuel Tank

Service Interval: Yearly—Drain and clean the fuel tank

Drain and clean tank if fuel system becomes contaminated or if you store the machine for an extended period. Use clean diesel fuel to flush out the tank.

Inspecting the Fuel Lines and Connections

Service Interval: Every 400 hours/Yearly (whichever comes first)

Inspect the fuel lines for deterioration, damage, or loose connections.

Electrical System Maintenance

Electrical System Safety

- Disconnect the battery before repairing the machine. Disconnect the negative terminal first and the positive last. Connect the positive terminal first and the negative last.
- Charge the battery in an open, well-ventilated area, away from sparks and flames. Unplug the charger before connecting or disconnecting the battery. Wear protective clothing and use insulated tools.

Accessing the Battery

The battery is adjacent to the fuel tank on the left side of the machine. To access the battery, raise the hood, unscrew the thumb screw that secures the cover over the battery, and remove the cover (Figure 62).

Note: The screw is retained with a locking washer.

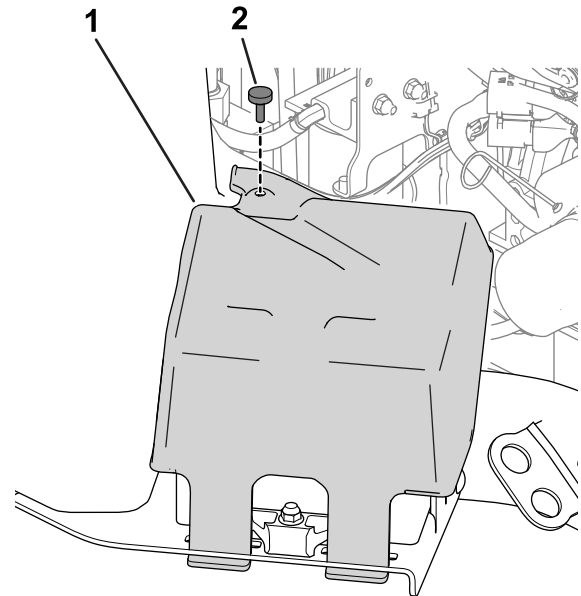


Figure 62

g289491

1. Battery cover

2. Thumb screw

Disconnecting the Battery

⚠ WARNING

Battery terminals or metal tools could short against metal components, causing sparks. Sparks can cause the battery gasses to explode, resulting in personal injury.

- When removing or installing the battery, do not allow the battery terminals to touch any metal parts of the machine.
- Do not allow metal tools to short between the battery terminals and metal parts of the machine.

⚠ WARNING

Incorrect battery cable routing could damage the machine and cables, causing sparks. Sparks can cause the battery gasses to explode, resulting in personal injury.

Always disconnect the negative (black) battery cable before disconnecting the positive (red) cable.

1. Remove the negative battery cable from the battery post (Figure 63).

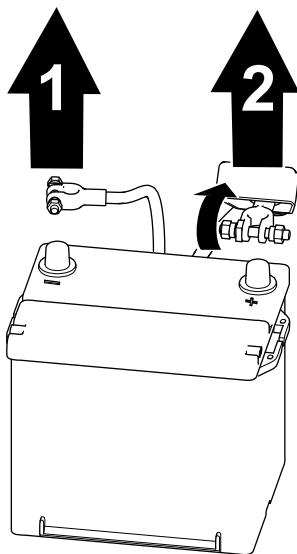


Figure 63

g289503

1. Negative battery cable
2. Positive battery cable

2. Lift the insulator and remove the positive battery cable from the battery post (Figure 63).

Connecting the Battery

⚠ WARNING

Incorrect battery cable routing could damage the machine and cables, causing sparks. Sparks can cause the battery gasses to explode, resulting in personal injury.

Always connect the positive (red) battery cable before connecting the negative (black) cable.

1. Connect the positive cable to the battery and tighten the battery-clamp nut (Figure 64).

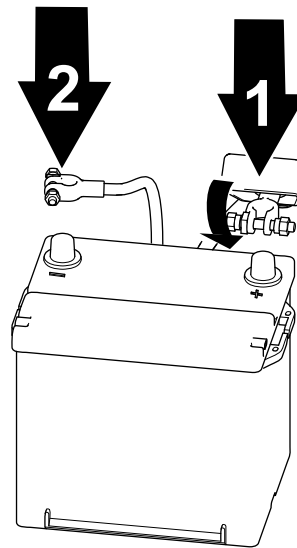


Figure 64

g289502

1. Positive battery cable
2. Negative battery cable

2. Connect the negative cable to the battery and tighten the battery-clamp nut (Figure 64).

Important: Ensure that the cable-clamp fasteners do not interfere with the fuel tank.

Removing or Installing the Battery

A retainer (Figure 65) holds the battery in the tray. Loosen the retainer hardware to remove the battery; tighten it when installing the battery.

Note: To access the battery, refer to [Accessing the Battery \(page 59\)](#). Replace the cover when you install the battery.

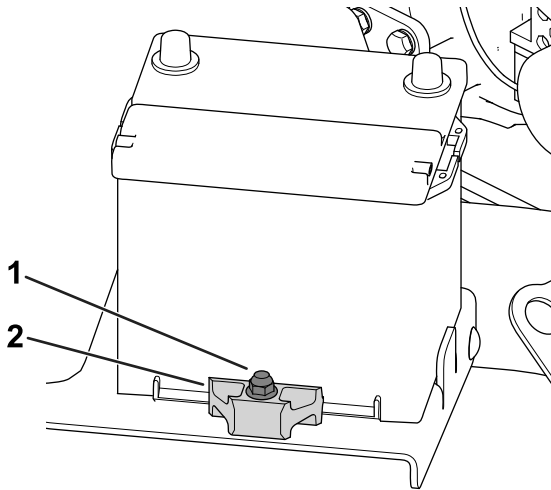


Figure 65

g285614

1. Retainer hardware
2. Retainer

Checking the Battery Condition

Important: Before welding on the machine, disconnect the negative cable from the battery to prevent damage to the electrical system.

Check the battery condition weekly or after every 50 hours of operation. Keep the terminals and the entire battery case clean, as a dirty battery will discharge slowly.

1. Access the battery; refer to [Accessing the Battery \(page 59\)](#).
2. Remove the rubber insulator from the positive terminal and inspect the battery. If the battery is dirty, do the following steps:
 - A. Wash the entire case with a solution of baking soda and water.
 - B. Coat both battery posts and cable connectors with Grafo 112X (skin-over) grease (Toro Part Number 505-47) to prevent corrosion.
 - C. Slide the rubber insulator over the positive terminal.
 - D. Close the battery cover.

Locating the Fuses

Locating the Traction-Unit Fuses

Remove the console cover to access the traction-unit fuses (Figure 66).

Note: The traction-unit fuse decal is located on the other side of the console cover.

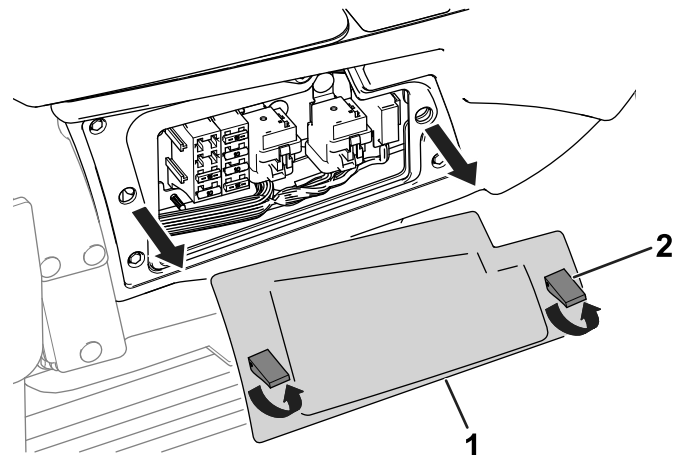


Figure 66

g289514

1. Console cover
2. Latch

Refer to the [Traction-Unit Fuse Block \(page 62\)](#) table for a description of each fuse on the traction-unit fuse block ([Figure 67](#)):

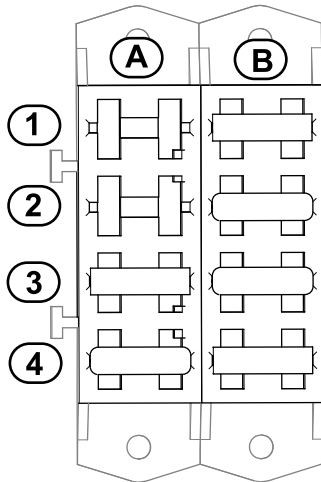


Figure 67

g289587

Traction-Unit Fuse Block

	A	B
1	Cab (10 A)	Display-screen power (15 A)
2	Open slot	Key run input for the display-screen controller (10 A)
3	Air ride seat (15 A)	Start circuit (15 A)
4	USB port, hour meter, telematics, expansion port (20 A)	Ignition switch power (20 A)

Locating the Cab Fuses

The cab fuses are located above the passenger seat. Access the fuses by removing the fuse-box cover ([Figure 68](#)).

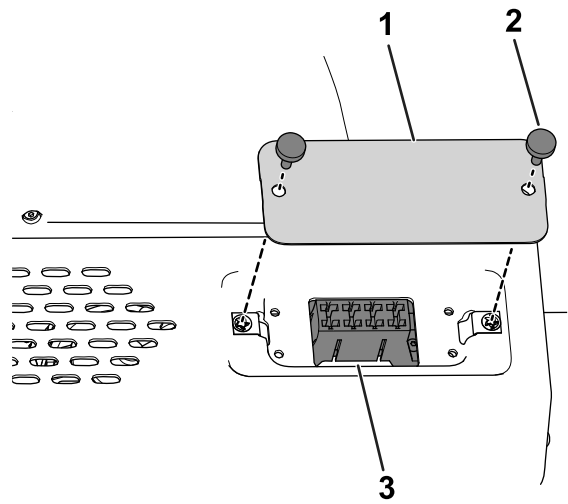


Figure 68

g285656

- 1. Fuse box cover
- 2. Thumb screw
- 3. Cab fuses

Refer to the [Cab Fuse Block \(page 62\)](#) table for a description of each fuse on the cab fuse block ([Figure 69](#)):

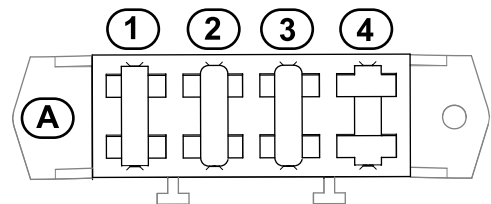


Figure 69

g300604

Cab Fuse Block

	A
1	Condenser fan; Air-conditioning clutch (25 A)
2	Windshield washer (20 A)
3	Fan and interior light (40 A)
4	Open slot

Drive System Maintenance

Torquing the Wheel-Lug Nuts

Service Interval: After the first hour

After the first 10 hours

Every 200 hours

Wheel-lug nut torque specification: 102 to 108 N·m (75 to 80 ft-lb)

Torque the lug nuts at the front and rear wheels (4-wheel-drive machines only) in the pattern as shown in [Figure 70](#) and [Figure 71](#) to the specified torque.

- Front wheels: refer to [Figure 70](#)

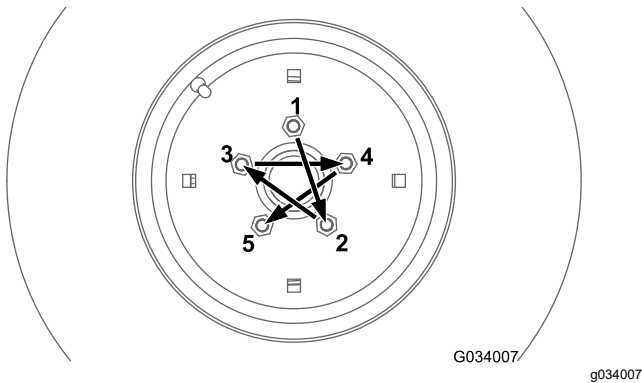


Figure 70

- Rear wheels (4-wheel-drive machines only): refer to [Figure 71](#)

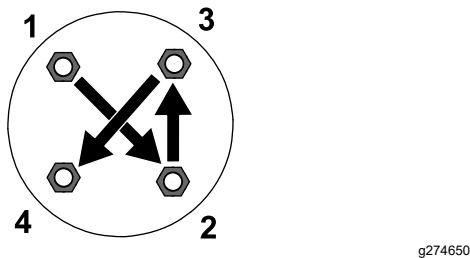


Figure 71

Aligning the PTO Driveshaft

If you separate the PTO-driveshaft telescoping end from the clutch end, ensure that the markings are aligned ([Figure 72](#)) when you install the telescoping end. The end yokes should also be aligned as shown in [Figure 72](#).

Important: If the markings on the driveshaft are not aligned, severe imbalance may occur in the driveline system.

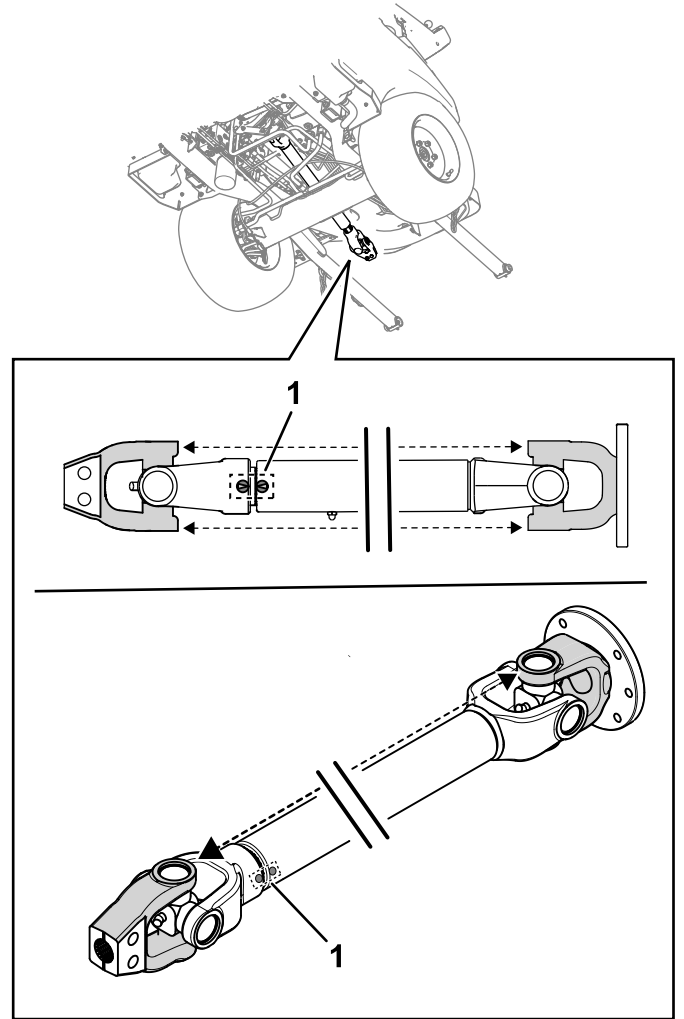


Figure 72

- 1. Driveshaft markings

Cooling System Maintenance

Cooling System Safety

- Swallowing engine coolant can cause poisoning; keep out of reach from children and pets.
- Discharge of hot, pressurized coolant or touching a hot radiator and surrounding parts can cause severe burns.
 - Always allow the engine to cool at least 15 minutes before removing the radiator cap.
 - Use a rag when opening the radiator cap, and open the cap slowly to allow steam to escape.
- Do not operate the machine without the covers in place.
- Keep your fingers, hands, and clothing clear of the rotating fan and drive belt.

Coolant Specification

The coolant reservoir is filled at the factory with a 50/50 solution of water and ethylene glycol base extended-life coolant.

Important: Use only commercially available coolants that meet the specifications listed in the Extended Life Coolant Standards Table.

Do not use conventional (green) inorganic-acid technology (IAT) coolant in your machine. Do not mix conventional coolant with extended-life coolant.

Coolant Type Table

Ethylene-Glycol Coolant Type	Corrosion Inhibitor Type
Extended-life antifreeze	Organic-acid technology (OAT)

Important: Do not rely on the color of the coolant to identify the difference between conventional (green) inorganic-acid technology (IAT) coolant and extended-life coolant.

Coolant manufacturers may dye extended-life coolant in one of the following colors: red, pink, orange, yellow, blue, teal, violet, and green. Use coolant that meets the specifications in the Extended Life Coolant Standards Table.

Extended Life Coolant Standards

ATSM International	SAE International
D3306 and D4985	J1034, J814, and 1941

Important: Coolant concentration should be a 50/50 mixture of coolant to water.

- **Preferred:** When mixing coolant from a concentrate, mix it with distilled water.
- **Preferred option:** If distilled water is not available, use a pre-mix coolant instead of a concentrate.
- **Minimum requirement:** If distilled water and pre-mix coolant are not available, mix concentrated coolant with clean drinkable water.

Checking the Cooling System and Coolant Level

Service Interval: Before each use or daily—Check the cooling system and the coolant level.

Before each use or daily—Remove debris from the engine area, oil cooler, fuel cooler, and radiator (clean them more frequently in dirty or dusty conditions).

Every 1,500 hours—Change the engine coolant

When the engine is cold, the coolant level should be no higher than the COLD mark on the side of the expansion tank (Figure 73). When the engine is warm, the coolant level should be no higher than the FULL (HOT) mark.

If the coolant is above the COLD mark when the engine is cold, it may leak out of the tank when the engine gets hot during operation.

1. When the engine is cold, check the level of the coolant in the expansion tank.

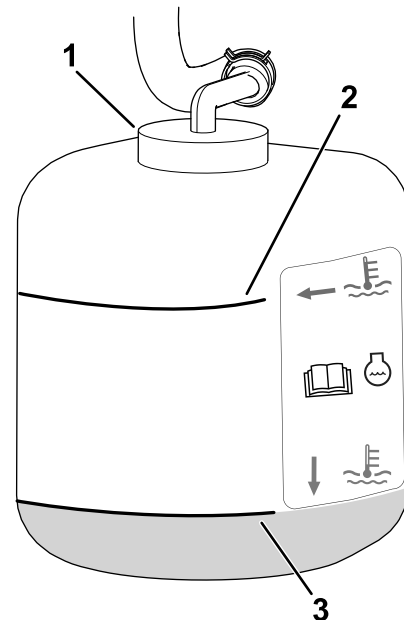


Figure 73

g325684

1. Cap
2. FULL (HOT) mark
3. COLD mark

- If the coolant is not visible at the COLD mark or below when cold, remove the expansion-tank cap and add the recommended replacement coolant [refer to [Coolant Specification \(page 64\)](#)] as required to bring the level to the COLD mark.

Important: Do not use water only or alcohol-based coolants.

Do not fill past the COLD mark on the tank.

- Install the expansion-tank cap.

Checking the Hood-Air-Intake Screen

Service Interval: Every 50 hours

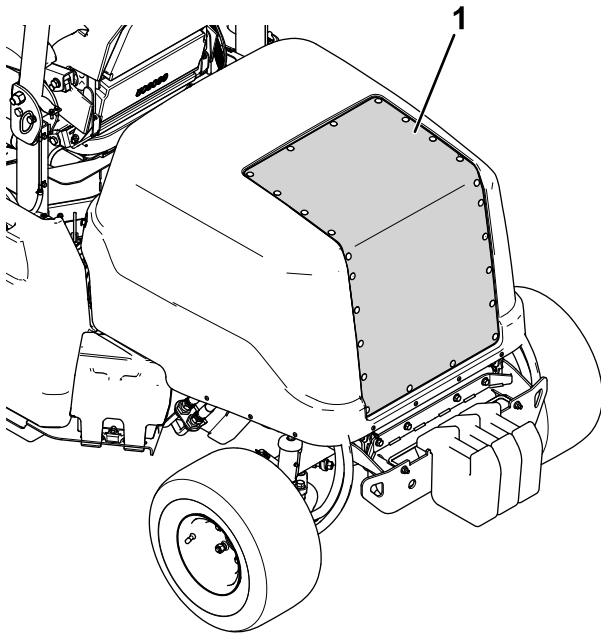


Figure 74

g309128

- Hood-air-intake screen

- Raise the hood; refer to [Raising the Hood \(page 51\)](#).
- Use compressed air to clean the hood screen (shown in [Figure 74](#)). Direct the air out from the machine.

Checking the Cooling Fins

Service Interval: Every 50 hours

Every 250 hours

- Use compressed air to clean the radiator fins. Direct the air out from the machine ([Figure 75](#)).

Important: Do not use water to clean the fins.

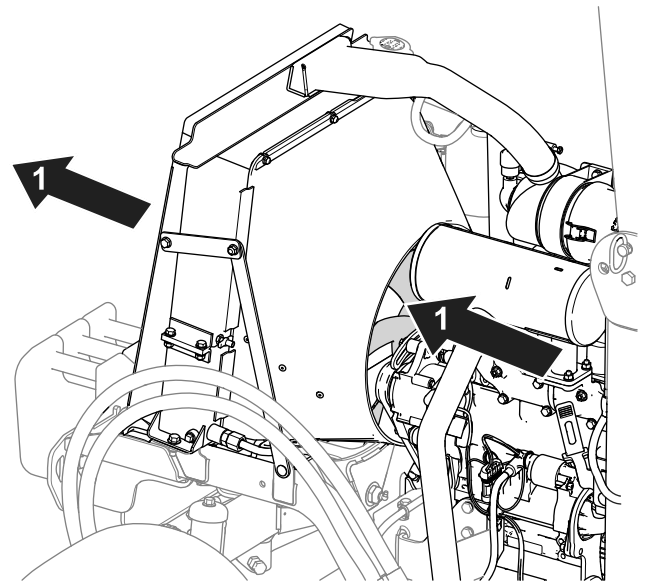


Figure 75

g299819

- Compressed-air direction

- Straighten any bent fins.

Inspecting the Cooling-System Hoses

Service Interval: Every 200 hours

Inspect the cooling-system hoses for leaks, kinked lines, loose mounting supports, wear, loose fittings, weather deterioration, and chemical deterioration. Make all necessary repairs before operating the machine.

Brake Maintenance

Checking and Adjusting the Parking Brake

Service Interval: Every 400 hours

Checking the Parking Brake

1. Place jack stands under the front of the machine; refer to [Raising the Front of the Machine \(page 50\)](#).
2. Remove the front wheels.
3. Move the parking brake to the DISENGAGED position; refer to [Parking Brake \(page 31\)](#).
4. Remove the brake drums ([Figure 76](#)) by hand.
 - If you feel resistance while removing the brake drums by hand, an adjustment is **not** needed.
 - If you **do not** feel resistance while removing the brake drums by hand, an adjustment is needed; refer to [Adjusting the Parking Brake \(page 66\)](#).

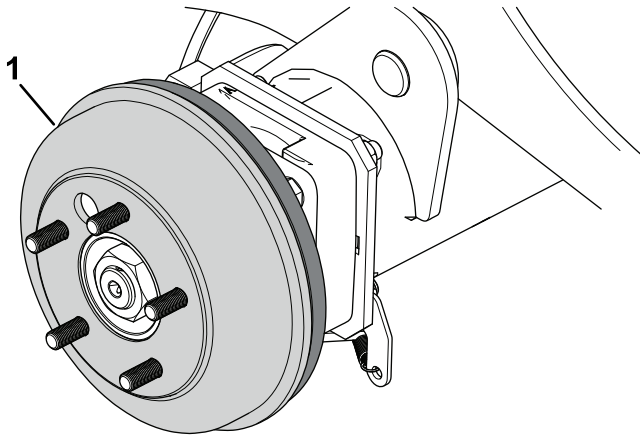


Figure 76

Right side of the machine shown.

1. Brake drum

-
5. Install the front wheels and torque the lug nuts; refer to [Torquing the Wheel-Lug Nuts \(page 63\)](#).

Adjusting the Parking Brake

1. Chock the wheels.
2. Ensure that the parking brake is disengaged.
3. Locate the brake-cable mount ([Figure 77](#)) under the left side of the machine near the left wheel.

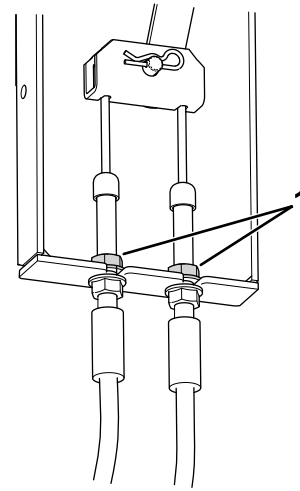


Figure 77

g299613

1. Jam nuts

-
4. Loosen the top jam nuts so that a gap (3.2 mm [1/8 inch] to 4.8 mm [3/16 inch]) appears.
 5. Pull down on a cable until the top jam nut contacts the bracket.
 6. Tighten the bottom jam nut.
 7. Repeat steps 5 and 6 for the other cable.
 8. Check the parking brake; refer to [Checking the Parking Brake \(page 66\)](#).

Belt Maintenance

Checking the Alternator-Belt Tension

Service Interval: After the first 10 hours

After the first 50 hours

Every 100 hours

Proper tension of the belt allows 10 mm (3/8 inch) of deflection when a force of 4.5 kg (10 lb) is applied on the belt midway between the pulleys.

If the deflection is not 10 mm (3/8 inch), perform the following steps:

1. Loosen the alternator-mounting bolt (Figure 69).

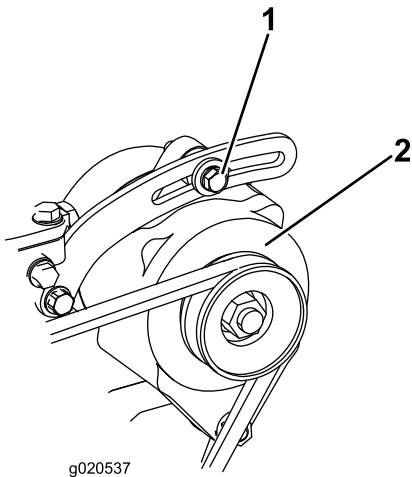


Figure 78

1. Mounting bolt
2. Alternator

2. Increase or decrease the alternator-belt tension and tighten the bolt.
3. Check the deflection of the belt again to ensure that the tension is correct.

Servicing the Traction Belt

Checking the Traction Belt

Service Interval: Every 100 hours

Inspect the traction belt for signs of excessive wear or damage.

Replace the belt if it is excessively worn or damaged; refer to [Replacing the Traction Belt \(page 67\)](#).

Replacing the Traction Belt

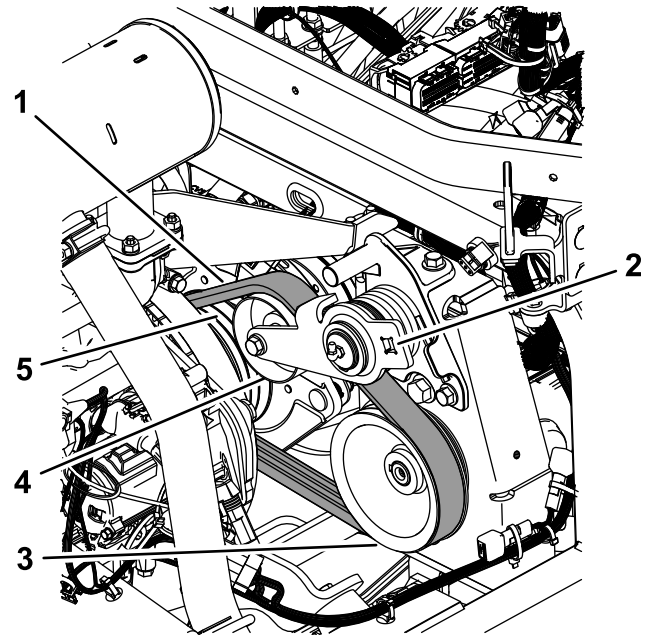


Figure 79

1. Traction belt
2. Insert ratchet here
3. Pump pulley
4. Idler pulley
5. Engine pulley

Removing the Traction Belt

1. Disconnect the PTO shaft from the attachment gearbox; refer to your attachment *Operator's Manual*.
2. Unplug the clutch-wire-harness connector from the machine wire harness.

Controls System Maintenance

Adjusting the PTO-Clutch Gap

Service Interval: Every 200 hours

1. Allow the engine to cool.
2. Raise the engine hood.
3. Adjust the air gap so that a 0.3 mm (0.012 inch) feeler gauge slides in between the clutch lining and friction plate with light pressure (Figure 81).

Note: You can decrease the gap by turning the adjusting nuts clockwise (Figure 81). The maximum service gap is 0.6 mm (0.024 inch). Adjust all 3 air gaps to 0.4 mm (0.012 inches).

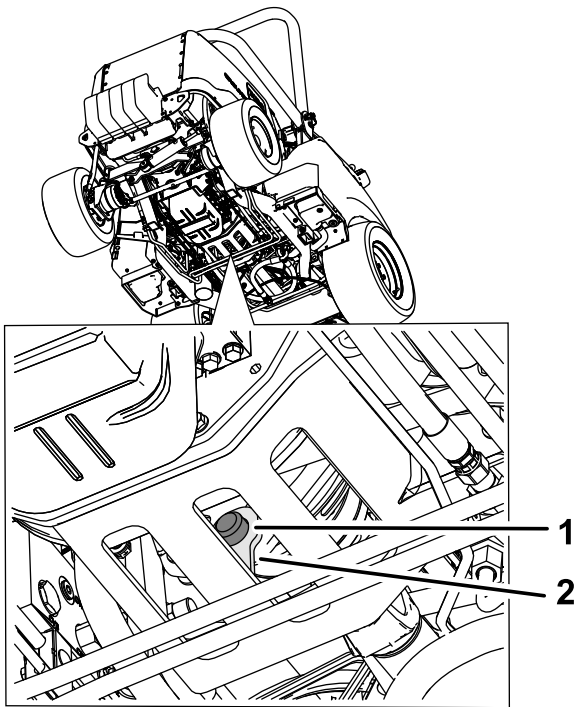


Figure 80

g469019

1. Rubber bumper
2. Metal retainer

3. Remove the rubber bumper from the metal retainer and clutch (Figure 80).
4. Have an assistant use a ratchet to release tension from the belt, then remove the belt from the pump pulley, idler pulley, and engine pulley.
5. To remove the old belt, move the belt over the clutch and forward on the PTO shaft.

Installing the Traction Belt

1. Move the belt along the PTO shaft, over the clutch, and onto the engine pulley.
2. Have an assistant use a ratchet to pull the idler pulley down.
3. Route the belt on the engine pulley, idler pulley, and pump pulley (Figure 79).
4. Remove the ratchet from the idler arm.
5. Install the rubber bumper into the metal retainer and secure the bumper to the clutch.
6. Plug in the clutch-wire-harness connector to the machine wire harness.
7. Install the PTO shaft to the attachment gearbox.

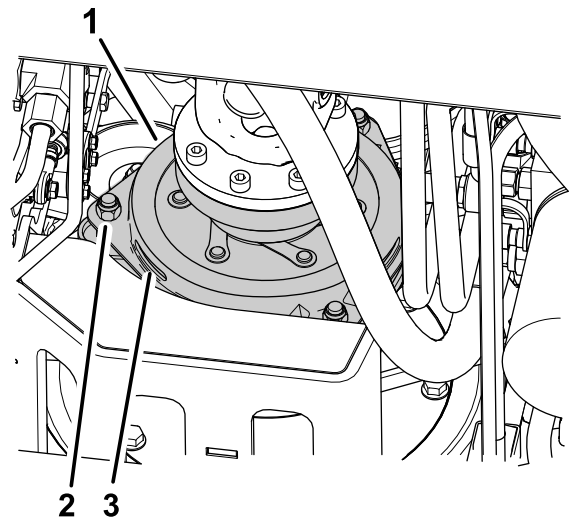


Figure 81

g469050

1. Clutch
2. Adjusting nut (3)
3. 0.3 mm (0.012 inch) air gap (3)

4. After the 3 air gaps are adjusted, check all 3 again.

Note: Adjusting 1 air gap can alter the other gaps.

Adjusting the Traction-Pedal Stop

You can adjust the traction pedal for operator comfort or to reduce the maximum forward speed of the machine.

1. Move the traction pedal fully forward (Figure 82).

Note: The traction pedal should contact the traction-pedal stop before the pump reaches full stroke.

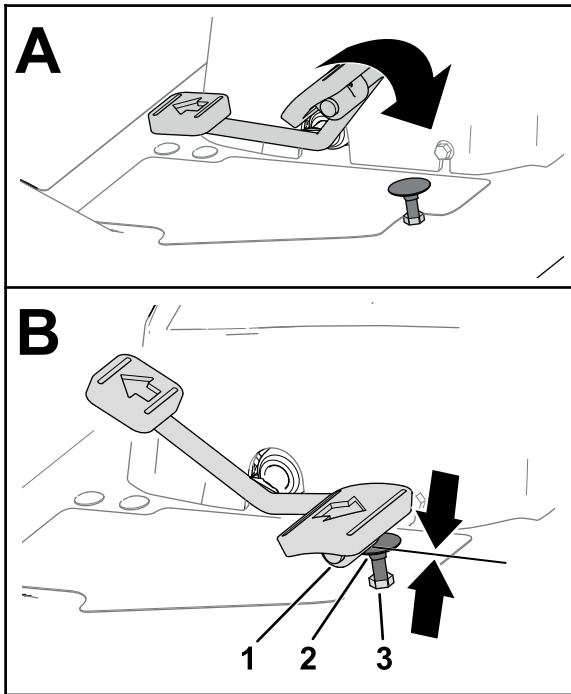


Figure 82

g320590

1. Traction pedal
 2. Traction-pedal stop
 3. Jam nut (top of the footrest plate)
2. If the traction pedal does not contact the traction-pedal stop or if you want to reduce the forward speed of the machine, perform the following:
 - A. Hold the traction-pedal stop (Figure 82) with a wrench.
 - B. Loosen the jam nut at the bottom of the footrest plate (Figure 83).

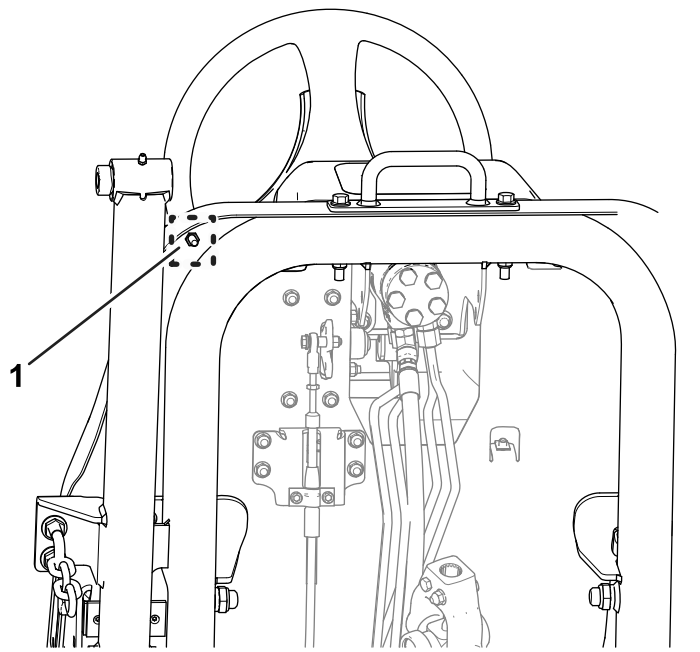


Figure 83

g320591

1. Jam nut (bottom of the footrest plate)

- C. Move the traction pedal to the full forward position (Figure 82).
- D. While holding the traction-pedal stop, adjust the jam nut that is above the footrest plate (Figure 82) until the traction pedal makes contact with the stop.
- E. Lengthen the traction-pedal stop position by rotating the stop 1 full rotation counterclockwise away from the jam nut above the footrest plate.

Note: Shortening the traction-pedal-stop position will increase the forward speed of the machine.

- F. While holding the traction-pedal stop, torque the jam nut at the bottom of the footrest plate (Figure 82 and Figure 83) to 37 to 45 N·m (27 to 33 ft-lb).
- G. Check that the traction pedal contacts the traction-pedal stop before the pump reaches full stroke.

Note: If the traction pedal does not contact the traction-pedal stop, repeat steps A through G.

Hydraulic System Maintenance

Hydraulic System Safety

- Seek immediate medical attention if fluid is injected into skin. Injected fluid must be surgically removed within a few hours by a doctor.
- Ensure that all hydraulic-fluid hoses and lines are in good condition and all hydraulic connections and fittings are tight before applying pressure to the hydraulic system.
- Keep your body and hands away from pinhole leaks or nozzles that eject high-pressure hydraulic fluid.
- Use cardboard or paper to find hydraulic leaks.
- Safely relieve all pressure in the hydraulic system before performing any work on the hydraulic system.

Hydraulic Fluid Specifications

The reservoir is filled at the factory with approximately 22.7 L (6 US gallon) of high-quality hydraulic fluid. Check the level of the hydraulic fluid before the engine is first started and daily thereafter; refer to [Checking the Hydraulic-Fluid Level \(page 70\)](#).

Recommended replacement fluid: Toro PX Extended Life Hydraulic Fluid; available in 19 L (5 US gallon) pails or 208 L (55 US gallon) drums.

Note: A machine using the recommended replacement fluid requires less frequent fluid and filter changes.

Alternative hydraulic fluids: If Toro PX Extended Life Hydraulic Fluid is not available, you may use another conventional, petroleum-based hydraulic fluid having specifications that fall within the listed range for all the following material properties and that it meets industry standards. Do not use synthetic fluid. Consult with your lubricant distributor to identify a satisfactory product.

Note: Toro does not assume responsibility for damage caused by improper substitutions, so use products only from reputable manufacturers who will stand behind their recommendation.

High Viscosity Index/Low Pour Point Anti-wear Hydraulic Fluid, ISO VG 46

Material Properties:

Viscosity, ASTM D445

cSt @ 40°C (104°F)
44 to 48

High Viscosity Index/Low Pour Point Anti-wear Hydraulic Fluid, ISO VG 46 (cont'd.)

Viscosity Index ASTM D2270

140 or higher

Pour Point, ASTM D97

-37°C to -45° C (-34°
F to -49° F)

Industry Specifications:

Eaton Vickers 694 (I-286-S,
M-2950-S/35VQ25 or
M-2952-S)

Note: Many hydraulic fluids are almost colorless, making it difficult to spot leaks. A red dye additive for the hydraulic fluid is available in 20 ml (2/3 fl oz) bottles. A bottle is sufficient for 15 to 22 L (4 to 6 US gallons) of hydraulic fluid. Order Part No. 44-2500 from your authorized Toro distributor.

Important: Toro Premium Synthetic Biodegradable Hydraulic Fluid is the only synthetic biodegradable fluid approved by Toro. This fluid is compatible with the elastomers used in Toro hydraulic systems and is suitable for a wide-range of temperature conditions. This fluid is compatible with conventional mineral oils, but for maximum biodegradability and performance, the hydraulic system should be thoroughly flushed of conventional fluid. The oil is available in 19 L (5 US gallon) pails or 208 L (55 US gallon) drums from your authorized Toro distributor.

Checking the Hydraulic-Fluid Level

Service Interval: Before each use or daily

1. Park the machine on a level surface, lower the cutting unit, engage the parking brake, shut off the engine, and remove the key.
2. Remove the plug from the hydraulic tank ([Figure 84](#)).

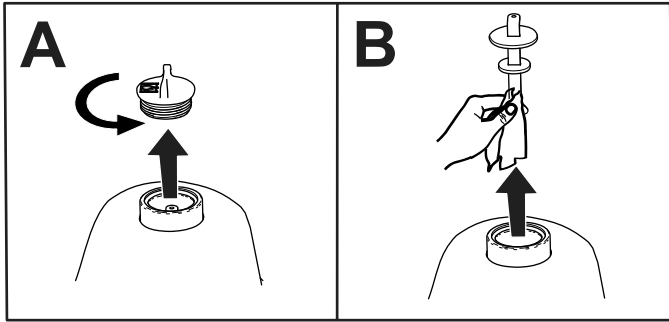
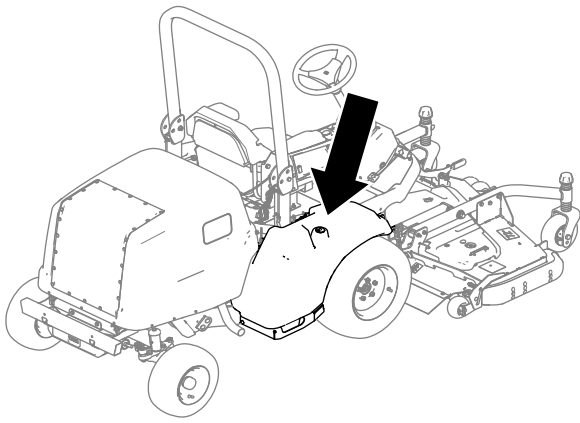


Figure 84

g285821

3. Remove the dipstick from the hydraulic tank and wipe it with a clean cloth (Figure 84).
4. Insert the dipstick into the hydraulic tank.
5. Remove the dipstick and check the fluid level (Figure 85).
 - **If you have a cutting unit equipped:** The hydraulic-fluid level is at the appropriate level when the fluid appears between the lower 2 marks on the dipstick (A in Figure 85). It is also acceptable for the fluid level to be above the lower marks.
 - **If you have the Hydraulic Driven Attachment Hose Kit equipped:** The hydraulic-fluid level is at the appropriate level when the fluid appears between the upper 2 marks on the dipstick (B in Figure 85).

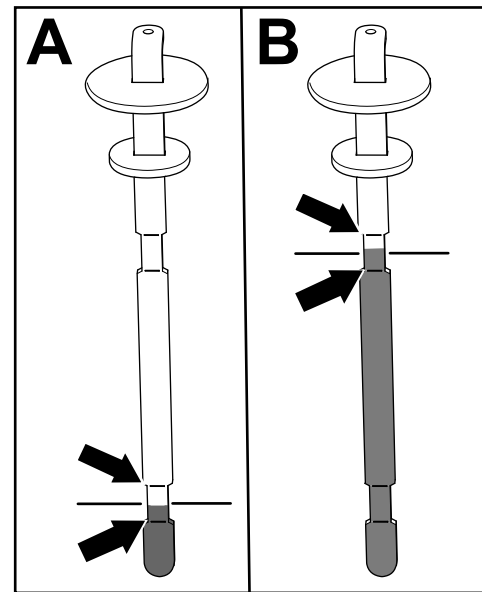


Figure 85

g286314

6. If the fluid level is below the appropriate lower mark (per your equipped attachment; refer to step 5) on the dipstick, add the specified hydraulic fluid into the tank. Repeat steps 3 through 5 until the fluid level appears between the appropriate 2 marks on the dipstick.
7. Insert the dipstick and plug into the hydraulic tank.
8. Hand-tighten the plug.

Important: Do not use a tool to tighten the plug.
9. Check all hydraulic hoses and fittings for leaks.

Changing the Hydraulic Fluid and Filters

Service Interval: After the first 1000 hours—Change the hydraulic fluid and hydraulic filter.

Every 800 hours—Change the hydraulic filter (if you are **not** using the recommended hydraulic fluid or have ever filled the hydraulic tank with alternative fluid).

Every 800 hours—Change the hydraulic fluid (if you are **not** using the recommended hydraulic fluid or have ever filled the hydraulic tank with alternative fluid).

Every 1,000 hours—Change the hydraulic filter (if you are using the recommended hydraulic fluid).

Every 2,000 hours—Change the hydraulic fluid (if you are using the recommended hydraulic fluid).

If the hydraulic fluid becomes contaminated, contact your authorized Toro distributor; the system must be flushed. Contaminated fluid looks milky or black when compared to clean fluid.

Important: Use Toro replacement filters; refer to the machine *Parts Catalog*. Using any other filter may void the warranty on some components.

1. Park the machine on a level surface, lower the cutting unit, engage the parking brake, shut off the engine, and remove the key.
2. Place a large drain pan under the hydraulic-fluid tank.
3. Remove the hydraulic-tank cap and dipstick.
4. Remove the drain plug (Figure 86) from the bottom of the tank and let the hydraulic fluid flow into the pan.

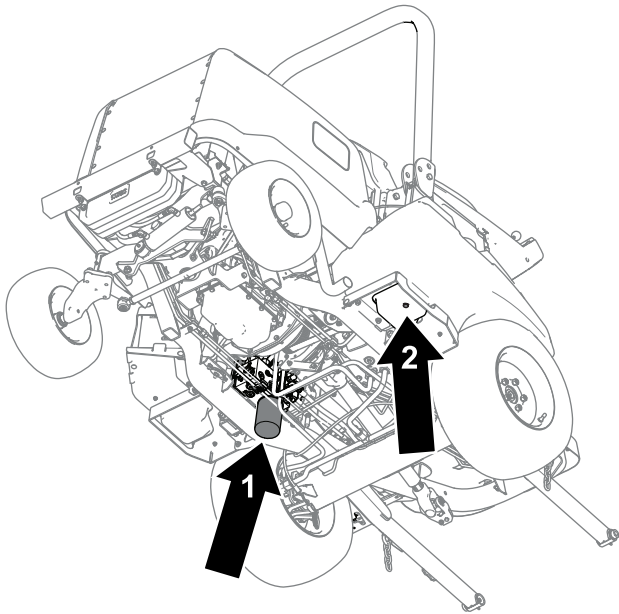


Figure 86

g286315

1. Hydraulic filter
2. Drain plug

5. Clean the area around the filter-mounting area.
6. Place a drain pan under the filter (Figure 86), remove the filter, and let any remaining oil drain into the pan.
7. Lubricate the new filter gasket and fill the filter with hydraulic fluid.
8. Ensure that the filter-mounting area is clean and screw the filter on until the gasket contacts the mounting plate; then tighten the filter an additional 1/2 turn.
9. Fill the hydraulic tank with hydraulic fluid; refer to [Checking the Hydraulic-Fluid Level \(page 70\)](#).

Important: Use only the hydraulic fluids specified. Other fluids could cause system damage.

10. Install the drain plug when the hydraulic fluid stops draining.
11. Install the reservoir dipstick and cap.
12. Start the engine and use all of the hydraulic controls in the following order to distribute hydraulic fluid throughout the system:
 - A. Use the traction pedal to move the machine forward and backward.
 - B. Use the steering wheel to move the tires all the way to the right and left.
 - C. Use the lift switch to raise and lower the attachment (e.g., cutting unit).
13. Check for leaks and shut off the engine.
14. Check the hydraulic fluid level in the tank; refer to [Checking the Hydraulic-Fluid Level \(page 70\)](#).

Checking the Hydraulic Lines and Hoses

Service Interval: Every 2 years

Inspect the hydraulic lines and hoses daily for leaks, kinked lines, loose mounting supports, wear, loose fittings, weather deterioration, and chemical deterioration. Make all necessary repairs before operating the machine.

Cab Maintenance

Cleaning the Cab

Important: Use care around the cab seals (Figure 87). If you are using a pressure washer, keep the washer wand at least 0.6 m (2 ft) away from the machine. Do not use the pressure washer directly on the cab seals or under the rear overhang.

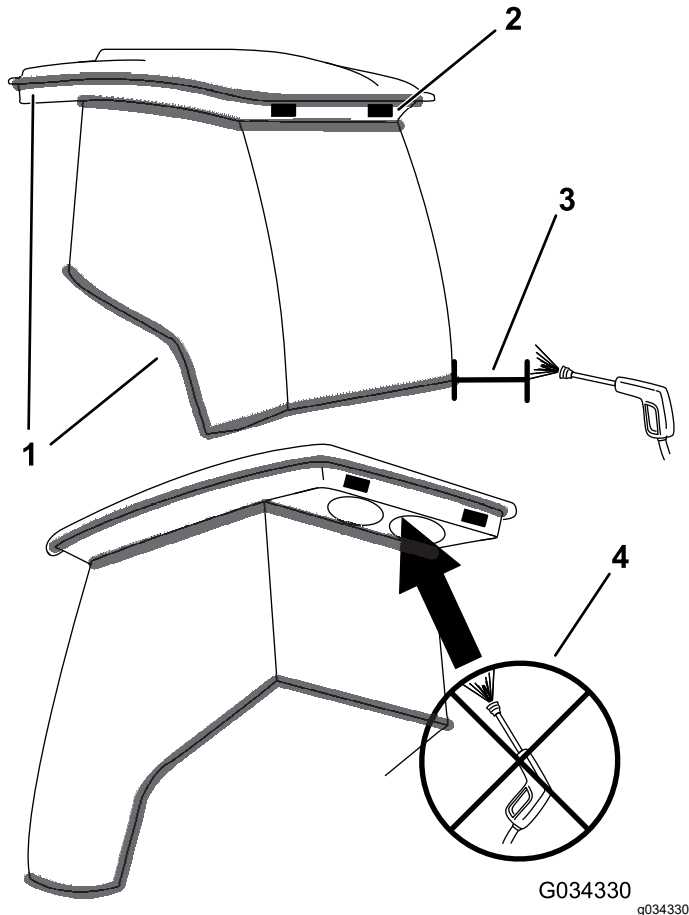


Figure 87

1. Seal
2. Keep wand 0.6 m (2 ft) away.
3. Do not pressure wash under the rear overhang.

Cleaning the Cab Air Filters

Service Interval: Every 400 hours

1. Remove the knobs and grates from the cab rear overhang (Figure 88).

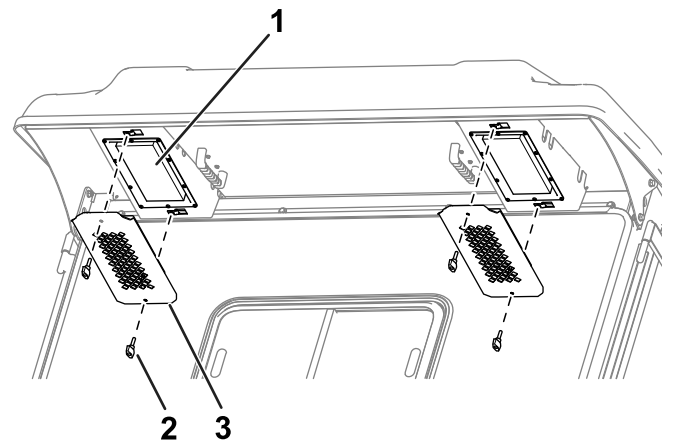


Figure 88

1. Filter
2. Knob
3. Grate

2. Remove the air filters from the cab.
3. Clean the filters by blowing clean, oil-free, compressed air through them.

Important: If either filter has a hole, tear, or other damage, replace the filter.

4. Use the knobs and grates to install the filters into the cab (Figure 88).

Cleaning the Cab-Condenser Filter

The purpose of the cab-condenser filter is to prevent large debris, such as grass and leaves, from entering the cab condenser and condenser fans.

1. Pull the screen cover straight down.
2. Clean the condenser filter with water.

Note: Do not use a pressure washer.

Important: If the filter has a hole, tear, or other damage, replace the filter.

3. Allow the filter to dry before installing it into the machine.
4. Rotate the filter screen around the tabs until the latch locks into the latch-mount assembly (Figure 89).

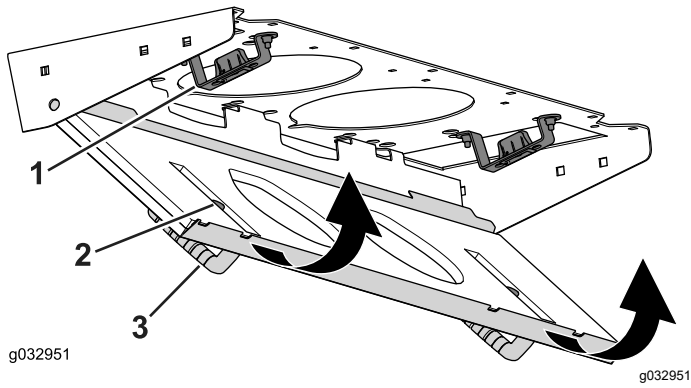


Figure 89

- 1. Latch-mount assembly
- 2. Condenser filter
- 3. Screen cover

Replacing the Dome Light

Note: Refer to the *Parts Catalog* for the appropriate bulb part number.

1. Use a screwdriver to remove the light lens from the control panel. (Figure 90).

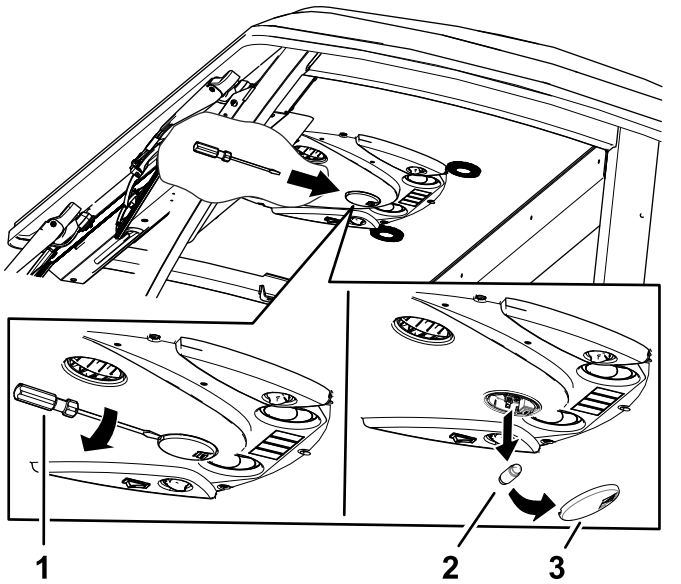


Figure 90

- 1. Screwdriver
- 2. Bulb
- 3. Lens

2. Remove the bulb from the light base (Figure 90).
3. Install a new bulb into the light base.
4. Install the lens into the control panel.

Filling the Windshield-Wiper-Fluid Reservoir

Note: The windshield-wiper-fluid reservoir is located next to the engine on the right side of the machine.

1. Remove the cap (Figure 91) on the reservoir.

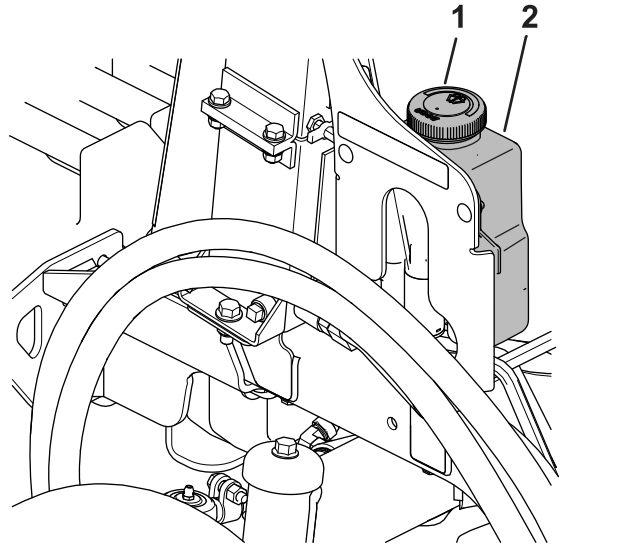


Figure 91

- 1. Reservoir cap
- 2. Reservoir

2. Fill the reservoir with wiper fluid.
3. Replace the cap on the reservoir.

Storage

Storage Safety

- Shut off the engine, remove the key, and wait for all movement to stop before you leave the operator's position. Allow the machine to cool before adjusting, servicing, cleaning, or storing it.
- Do not store the machine or fuel container where there is an open flame, spark, or pilot light, such as on a water heater or other appliance.

Preparing the Machine

Important: Do not use brackish or reclaimed water to clean the machine.

1. Park the machine on a level surface; engage the parking brake; shut off the engine; remove the key; and wait for all movement to stop before leaving the machine.
2. Thoroughly clean the machine, cutting unit, and engine.

Important: Do not use high-pressure water near the electrical controls or cab seals, as this may cause damage.

3. Check and adjust the air pressure in the tires; refer to [Checking the Tire Air Pressure \(page 36\)](#).
4. Check the hydraulic lines and hoses; repair them as necessary.
5. Check the hydraulic-fluid level; refer to [Checking the Hydraulic-Fluid Level \(page 70\)](#).
6. Remove, sharpen, balance, and install the cutting-unit blades.
7. Check for loose fasteners and tighten them as necessary.
8. Lubricate all grease fittings and apply oil to pivot points. Wipe clean any excess lubricant.
9. Lightly sand and use touch-up paint on painted areas that are scratched, chipped, or rusted. Repair any dents in the metal body.

California Proposition 65 Warning Information

What is this warning?

You may see a product for sale that has a warning label like the following:



WARNING: Cancer and Reproductive Harm—www.p65Warnings.ca.gov.

What is Prop 65?

Prop 65 applies to any company operating in California, selling products in California, or manufacturing products that may be sold in or brought into California. It mandates that the Governor of California maintain and publish a list of chemicals known to cause cancer, birth defects, and/or other reproductive harm. The list, which is updated annually, includes hundreds of chemicals found in many everyday items. The purpose of Prop 65 is to inform the public about exposure to these chemicals.

Prop 65 does not ban the sale of products containing these chemicals but instead requires warnings on any product, product packaging, or literature with the product. Moreover, a Prop 65 warning does not mean that a product is in violation of any product safety standards or requirements. In fact, the California government has clarified that a Prop 65 warning "is not the same as a regulatory decision that a product is 'safe' or 'unsafe.'" Many of these chemicals have been used in everyday products for years without documented harm. For more information, go to <https://oag.ca.gov/prop65/faqs-view-all>.

A Prop 65 warning means that a company has either (1) evaluated the exposure and has concluded that it exceeds the "no significant risk level"; or (2) has chosen to provide a warning based on its understanding about the presence of a listed chemical without attempting to evaluate the exposure.

Does this law apply everywhere?

Prop 65 warnings are required under California law only. These warnings are seen throughout California in a wide range of settings, including but not limited to restaurants, grocery stores, hotels, schools, and hospitals, and on a wide variety of products. Additionally, some online and mail order retailers provide Prop 65 warnings on their websites or in catalogs.

How do the California warnings compare to federal limits?

Prop 65 standards are often more stringent than federal and international standards. There are various substances that require a Prop 65 warning at levels that are far lower than federal action limits. For example, the Prop 65 standard for warnings for lead is 0.5 µg/day, which is well below the federal and international standards.

Why don't all similar products carry the warning?

- Products sold in California require Prop 65 labelling while similar products sold elsewhere do not.
- A company involved in a Prop 65 lawsuit reaching a settlement may be required to use Prop 65 warnings for its products, but other companies making similar products may have no such requirement.
- The enforcement of Prop 65 is inconsistent.
- Companies may elect not to provide warnings because they conclude that they are not required to do so under Prop 65; a lack of warnings for a product does not mean that the product is free of listed chemicals at similar levels.

Why does Toro include this warning?

Toro has chosen to provide consumers with as much information as possible so that they can make informed decisions about the products they buy and use. Toro provides warnings in certain cases based on its knowledge of the presence of one or more listed chemicals without evaluating the level of exposure, as not all the listed chemicals provide exposure limit requirements. While the exposure from Toro products may be negligible or well within the "no significant risk" range, out of an abundance of caution, Toro has elected to provide the Prop 65 warnings. Moreover, if Toro does not provide these warnings, it could be sued by the State of California or by private parties seeking to enforce Prop 65 and subject to substantial penalties.