



Count on it.

Parts Catalog

eTimeCutter™ My Ride 4275T
107cm Riding Mower

Model No. 75642—Serial No. 40000000 and Up



Ordering Replacement Parts

To order replacement parts, please supply the part number, the quantity, and the description of each part desired.

Understanding Reference Numbers

Each identified part in an illustration has a reference number. The reference number for a part also appears in the parts list, along with other information about the part.

This catalog uses two special reference number formats, one to indicate parts in a service assembly and another to indicate the quantity of a given part in an illustration.

Service Assembly Reference Numbers

Parts in service assemblies have reference numbers in the form a:b. The a represents the reference number of the entire service assembly and the b represents a sequential number unique to each part within the service assembly.

For example, a wheel assembly might be identified by reference number 6, the tire by 6:1, the valve by 6:2, and the wheel by 6:3. When you order the assembly identified by reference number 6, you receive all parts identified by reference numbers 6:1, 6:2, and 6:3. However, you may also order any part individually. Reference numbers of this type appear in illustration and in parts lists.

Reference Numbers Indicating Quantity

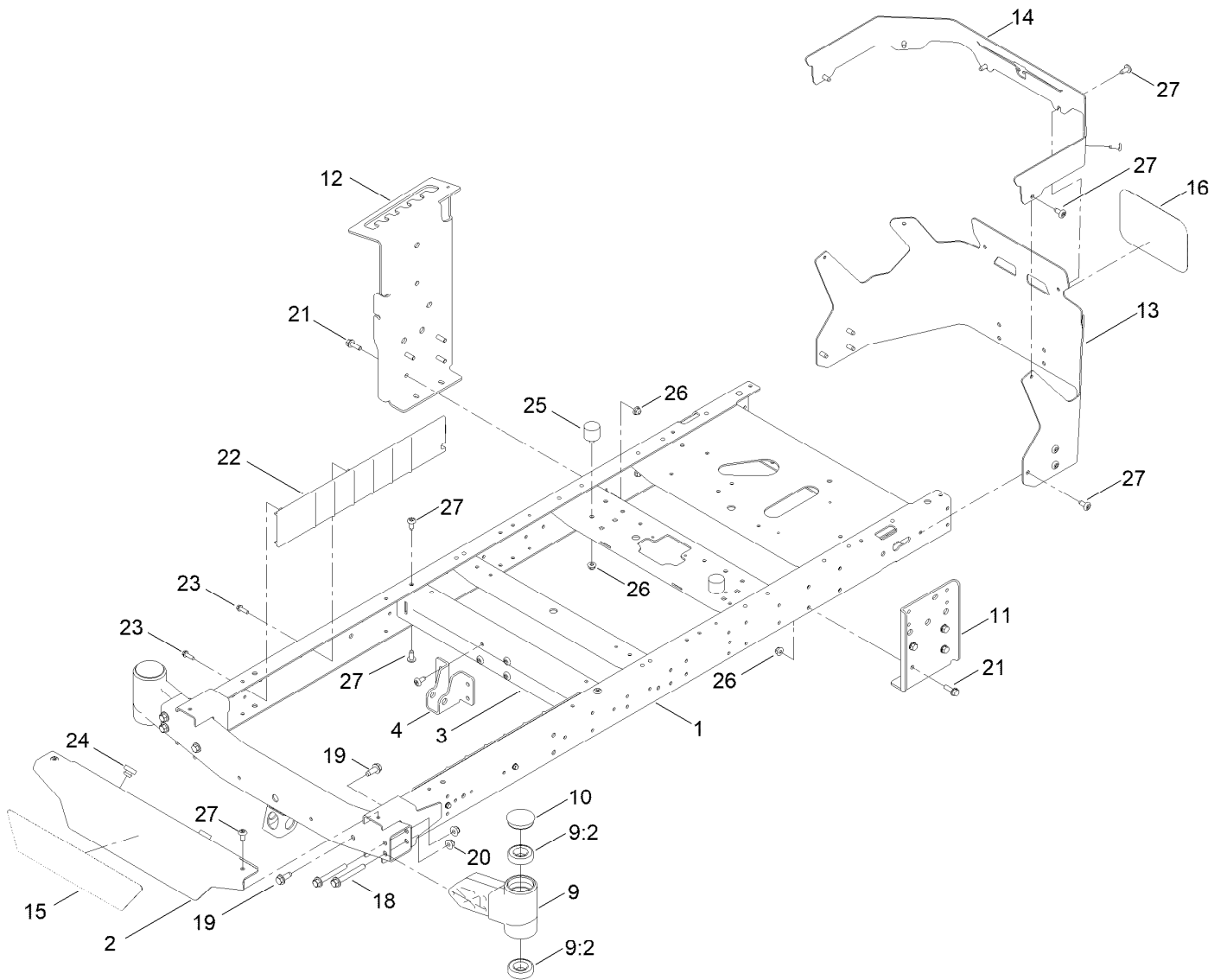
In an illustration, if a reference number indicates more than one part, the reference number has the form nX y. The n represents the quantity of the part, the X is the multiplication symbol, and the y represents the reference number.

For example, in an illustration, the reference number 2X 37 means that two of the parts identified by reference number 37 are indicated.

Contents

Frame Assembly	4
Deck Lift Assembly	6
Caster Wheel Assembly	8
Traction Drive Assembly	10
Electric Transaxle Assembly No. 161-4488	12
Brake Assembly	14
Rear Tire Assembly	16
Seat Pan Assembly	18
Seat Assembly No. 147-8761	20
Motion Control Assembly	22
Battery Box Assembly	24
Battery Box Assembly No. 161-4483	26
Styling Pod Assembly	28
Electrical Assembly	30
Decal Specific Assembly	32
42in Deck and Decal Assembly	34
Battery Charger Kit Assembly	36
Miscellaneous Parts	38
Attachments and Accessories	40

Frame Assembly



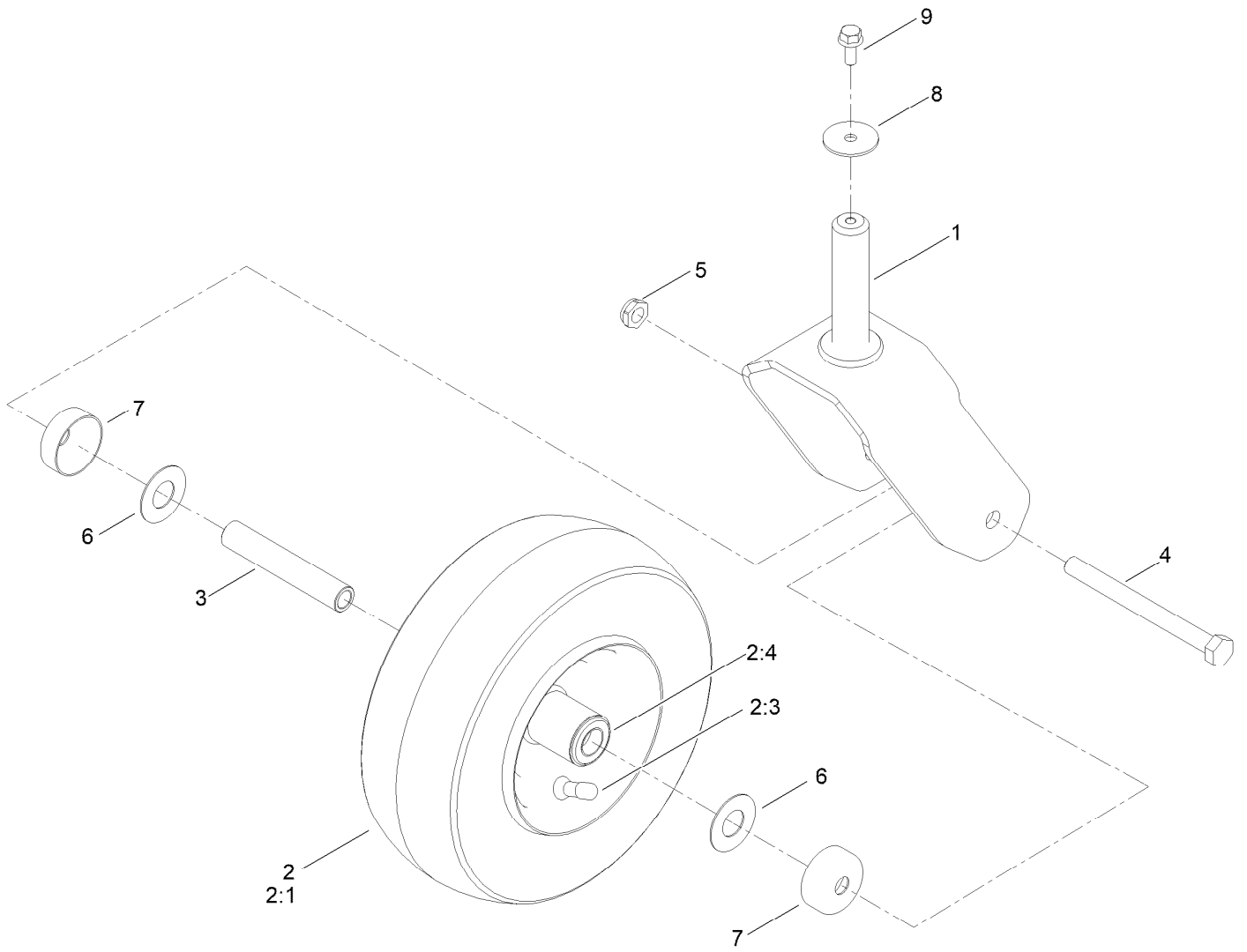
Frame Assembly (continued)

<i>Ref.</i>	<i>Part Number</i>	<i>Qty.</i>	<i>Description</i>	<i>Ref.</i>	<i>Part Number</i>	<i>Qty.</i>	<i>Description</i>
1	147-3005-01	1	Frame ASM [red]	15	147-7640	1	Decal-Etimecutter
2	138-7596-07	1	Footrest	16	145-1978	1	Decal-Logo, Silver
3	138-2527-01	1	Brace-Cross, Lower	18	139-2429	4	Screw-HHF
4	139-3260-01	1	Bracket-Mount Damper, Lower	19	139-2428	4	Screw-HWH
9	140-2098	2	Axle Stub ASM	20	139-2430	4	Nut-HF, NI
9:2	109-3678	2	Bearing-Ball	21	139-2596	8	Screw-HHF
10	138-7200	2	Cap-Grease	22	138-7516	2	Guard-Rail
11	145-0415-01	1	Plate-Mount, Drive	23	137-3099	4	Screw-Plastite, HWH
12	145-0416-01	1	Plate-Mount, Mr Drive	24	140-3460	2	Bumper-Rubber
13	147-5205-07	1	Guard-Rear	25	137-4803	2	Bumper-Rubber
14	147-7579-01	1	Guard-Rear, Upper	26	119-4041	10	Nut-HF
				27	138-9753	22	Screw

Deck Lift Assembly (continued)

<i>Ref.</i>	<i>Part Number</i>	<i>Qty.</i>	<i>Description</i>	<i>Ref.</i>	<i>Part Number</i>	<i>Qty.</i>	<i>Description</i>
1	137-7093-03	1	Deck Lift ASM	11	139-2611	7	Washer-Flat
2	138-6021	2	Bracket-Pivot, Decklift	12	139-2562	7	Pin-Hair
3	140-5063	2	Washer-Hardened, Cz	13	119-8810	1	Pin-Pivot
4	137-9844	1	LH Arm ASM	14	139-1725	1	Nut-Hex
5	137-9846	1	RH Arm ASM	16	137-7087-03	1	Lever-Lift
6	137-9847	2	Screw-Shoulder	18	1-633268	1	Grip-Lever
7	138-2564	2	Plate-Adjustment, HOC	26	139-2596	1	Screw-HHF
8	139-2350-01	1	Bracket-HOC	27	138-9753	5	Screw
9	140-2748	1	Decal-HOC	28	119-4041	1	Nut-HF
10	138-6050	1	Rod-Mount, Deck	29	119-4042	2	Nut-HF, NI

Caster Wheel Assembly

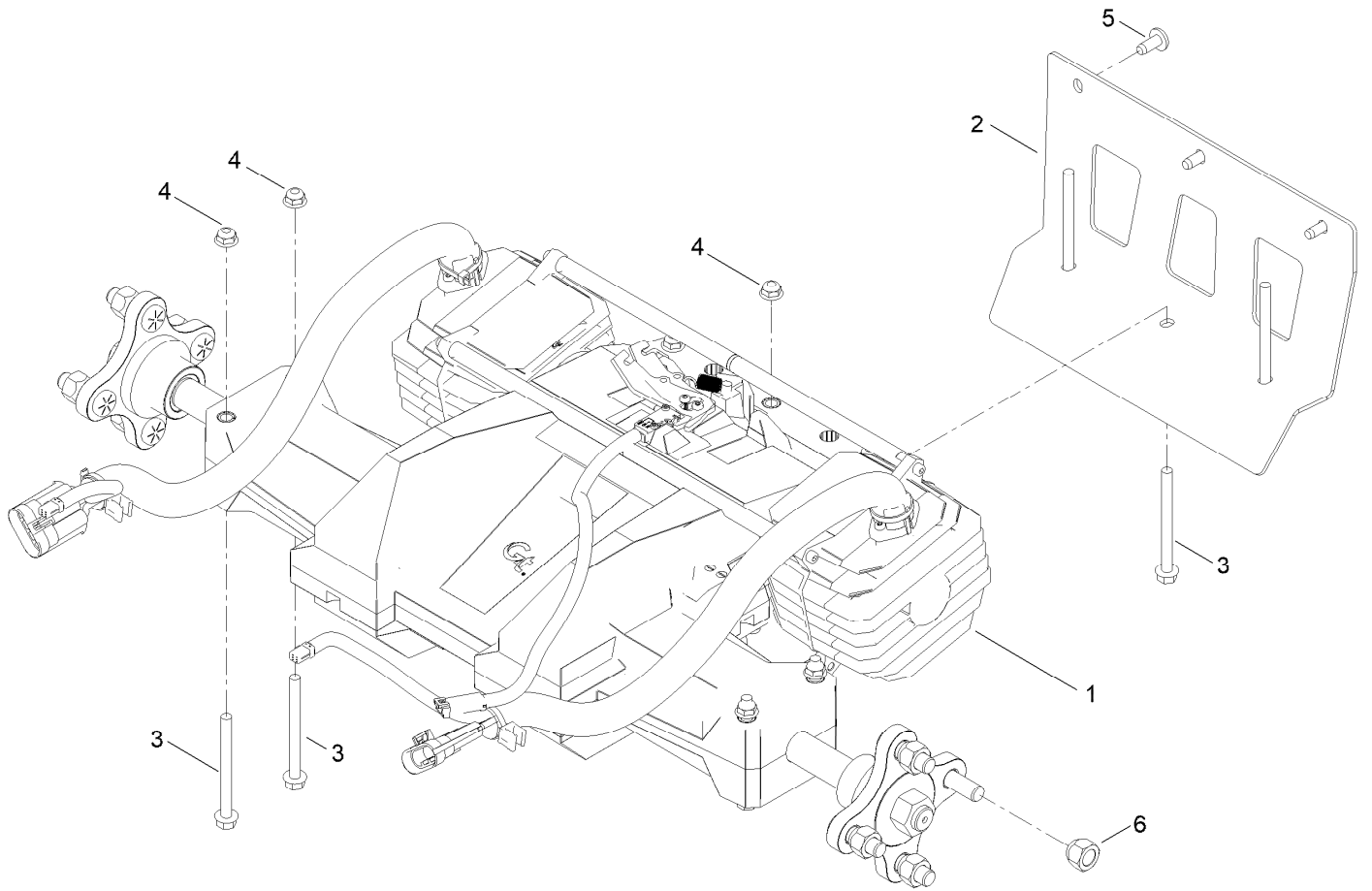


Caster Wheel Assembly (continued)

<i>Ref.</i>	<i>Part Number</i>	<i>Qty.</i>	<i>Description</i>	<i>Ref.</i>	<i>Part Number</i>	<i>Qty.</i>	<i>Description</i>
1	139-3274-01	2	Fork ASM	4	139-2607	2	Screw-HH
2	147-5203	2	Tire ASM	5	139-2617	2	Nut-Lock, NI
2:1	147-2936	1	Tire	6	136-5590	4	Washer
2:3	232-27	1	Stem-Valve	7	138-7208	4	Guard-Seal
2:4	136-4190	2	Bearing	8	115-1151	2	Washer-Flat
2:99	105-0844	1	Tube-Inner ●	9	139-2598	2	Screw-HHF
3	147-7593	2	Spacer-Spanner				

● Not illustrated

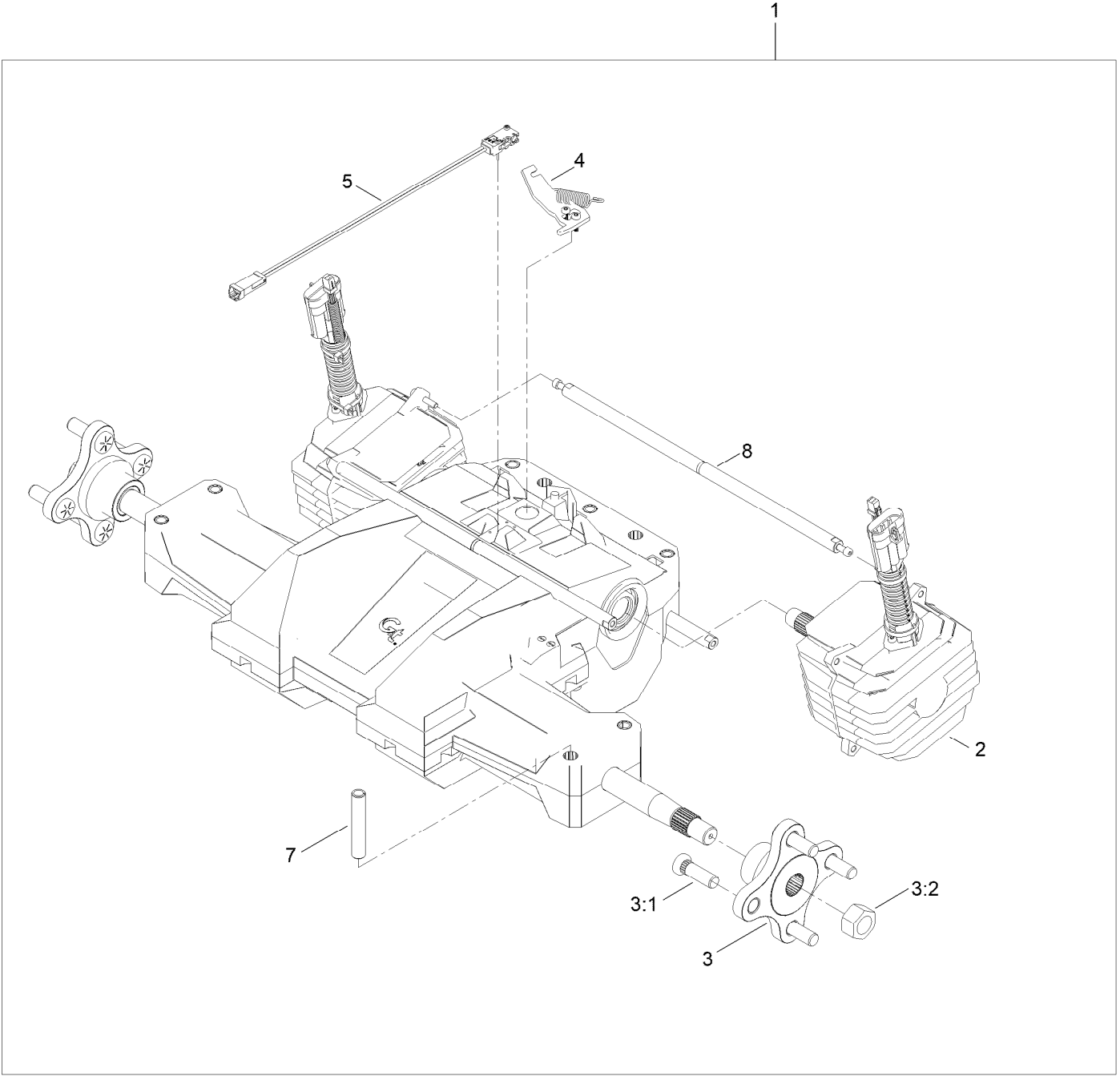
Traction Drive Assembly



Traction Drive Assembly (continued)

<i>Ref.</i>	<i>Part Number</i>	<i>Qty.</i>	<i>Description</i>	<i>Ref.</i>	<i>Part Number</i>	<i>Qty.</i>	<i>Description</i>
1	161-4488	1	Transaxle-Electric, 18"	4	119-4041	7	Nut-HF
2	144-5335-01	1	Bracket-Transmission	5	138-9753	3	Screw
3	147-5202	7	Screw-HH	6	139-2564	8	Nut-Lug

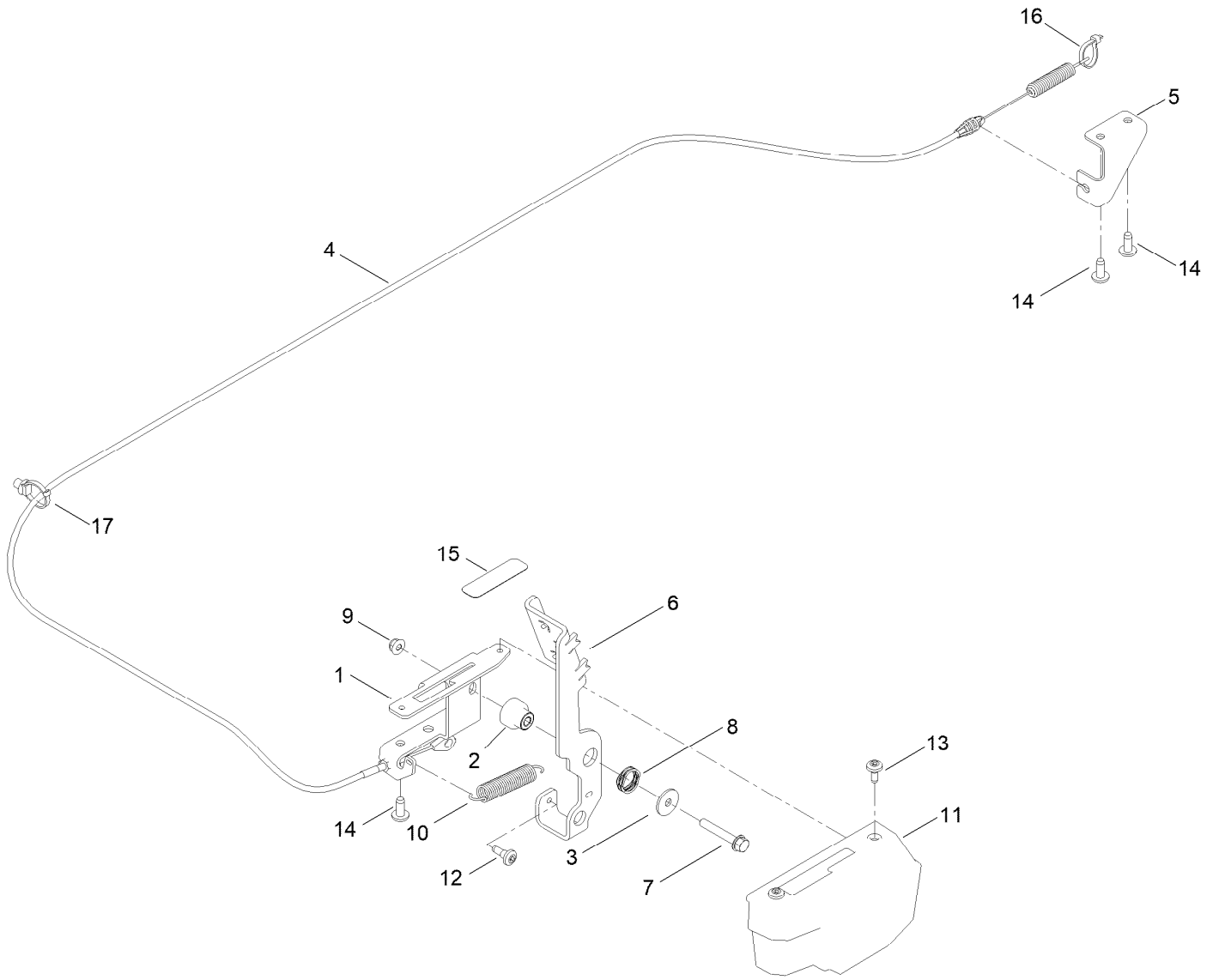
Electric Transaxle Assembly No. 161-4488



Electric Transaxle Assembly No. 161-4488 (continued)

<i>Ref.</i>	<i>Part Number</i>	<i>Qty.</i>	<i>Description</i>	<i>Ref.</i>	<i>Part Number</i>	<i>Qty.</i>	<i>Description</i>
1	147-2238	1	Transaxle-Electric,18" Tire	4	161-4493	1	Arm-Brake ASM
2	161-6416	2	Motor ASM [service]	5	161-4494	1	Switch-Brake ASM
3	161-4491	2	Wheel Hub ASM	7	161-4496	7	Spacer
3:1	161-4492	4	Stud-Wheel	8	161-4497	3	Rod-Cross
3:2	161-4647	1	Nut-Hub				

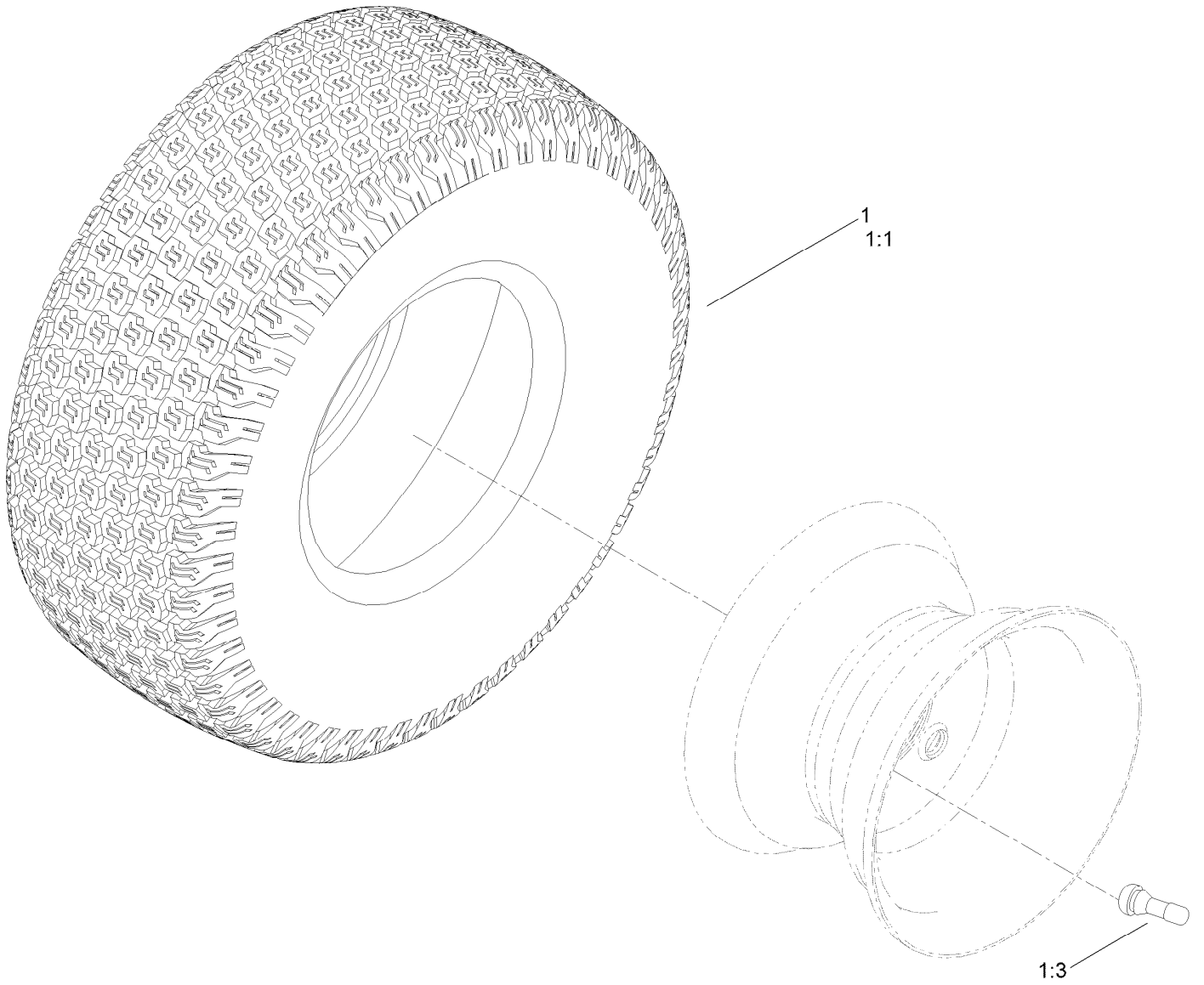
Brake Assembly



Brake Assembly (continued)

<i>Ref.</i>	<i>Part Number</i>	<i>Qty.</i>	<i>Description</i>	<i>Ref.</i>	<i>Part Number</i>	<i>Qty.</i>	<i>Description</i>
1	147-5182-03	1	Bracket-Pedal, Brake	10	137-7040	1	Spring-Return, Pedal
2	147-7741	1	Bushing-Flange	11	147-3048	1	Cover-Brake, Parking
3	5-4460	1	Washer-Pivot	12	135-2015	1	Screw-Shoulder
4	145-0490	1	Cable-Brake	13	120-7950	2	Screw-Torx
5	147-5201-03	1	Bracket-Cable, Brake	14	138-9753	3	Screw
6	147-5181-03	1	Pedal-Brake	15	139-1271	1	Decal-Brake, Parking
7	142-6275	1	Screw-HHF	16	1-303287	1	Tie-Cable
8	120-5116	1	Washer-Wave	17	32180-030	1	Clip-Tie
9	119-4041	1	Nut-HF				

Rear Tire Assembly

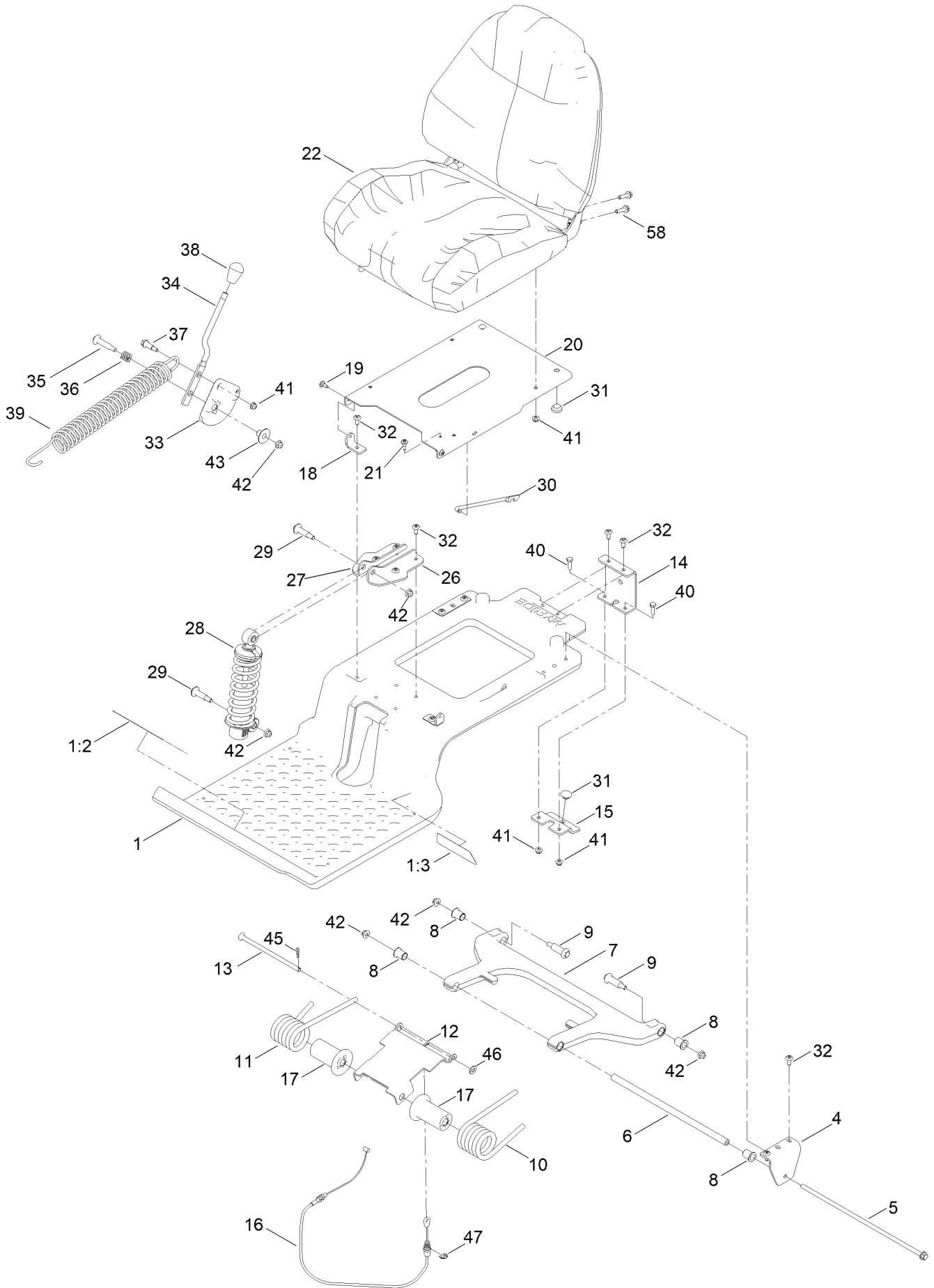


Rear Tire Assembly (continued)

<i>Ref.</i>	<i>Part Number</i>	<i>Qty.</i>	<i>Description</i>	<i>Ref.</i>	<i>Part Number</i>	<i>Qty.</i>	<i>Description</i>
1	139-5846	2	Tire ASM	1:3	232-27	1	Stem-Valve
1:1	126-1618	1	Tire	1:99	107-2491	1	Tube-Tire ●

● Not illustrated

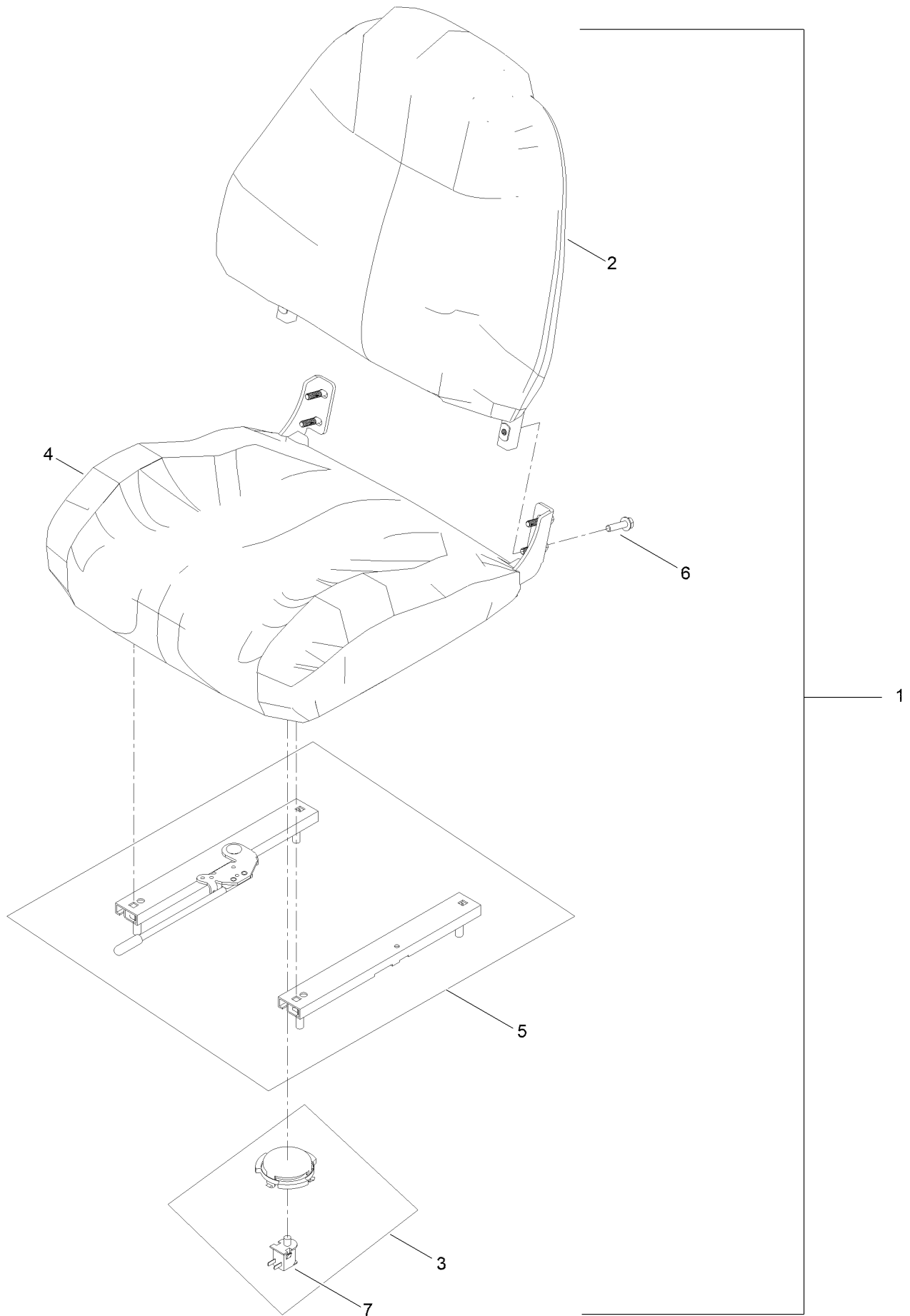
Seat Pan Assembly



Seat Pan Assembly (continued)

<i>Ref.</i>	<i>Part Number</i>	<i>Qty.</i>	<i>Description</i>	<i>Ref.</i>	<i>Part Number</i>	<i>Qty.</i>	<i>Description</i>
1	147-7739	1	Subframe ASM	27	133-9319-03	1	Bracket-Shock Mount, Upper (RH)
1:2	147-7616	1	Decal-Danger	28	147-7746	1	Shock/Spring ASM
1:3	140-0357	1	Decal-Myride	29	136-7198	2	Bolt-Shoulder
4	138-7517	2	Bracket-Mount, Swing Arm	30	138-2596	1	Rod-Prop, Seat
5	138-7548	1	Screw-HHF	31	135-0505	3	Bumper-Seat
6	138-7549	1	Tube-Spacer	32	138-9753	12	Screw
7	138-2563	1	Arm, Swing	33	138-9814	1	Pulley - Cam
8	138-2573	4	Bushing-Flange	34	138-9822	1	Lever - Adjustment
9	138-2547	2	Bolt-Shoulder	35	92-1057	1	Bolt-Shoulder
10	137-1983	1	Spring-Torsion, LH	36	139-5858	1	Spring-Compression
11	137-7018	1	Spring-Torsion, RH	37	140-3759	1	Bolt-Shoulder,HHF
12	138-7566-03	1	Plate-Adjuster	38	140-5176	1	Knob-Mr
13	138-9813	1	Rod-Adjustment	39	138-9848	1	Spring-Extension
14	138-9788	1	Bracket-Cable	40	139-1716	2	Screw-HH
15	139-2361-03	1	Bracket Lower	41	119-4041	7	Nut-HF
16	138-9812	1	Cable-Adjustment, Myride	42	119-4042	6	Nut-HF, NI
17	138-9776	2	Retainer-Spring	43	139-5800	1	Bushing - Flange
18	138-7522	2	Bracket-Seat	45	137-3083	1	Pin-Hair
19	120-7950	2	Screw-Torx	46	115-1166	1	Washer-Plain
20	147-7727-03	1	Pan-Seat [black]	47	32120-47	1	Ring-Retaining, External
21	135-2015	1	Screw-Shoulder	58	119-4036	4	Screw-HHF
22	147-8761	1	Seat ASM				
26	133-9318-03	1	Bracket-Shock Mount, Upper (LH)				

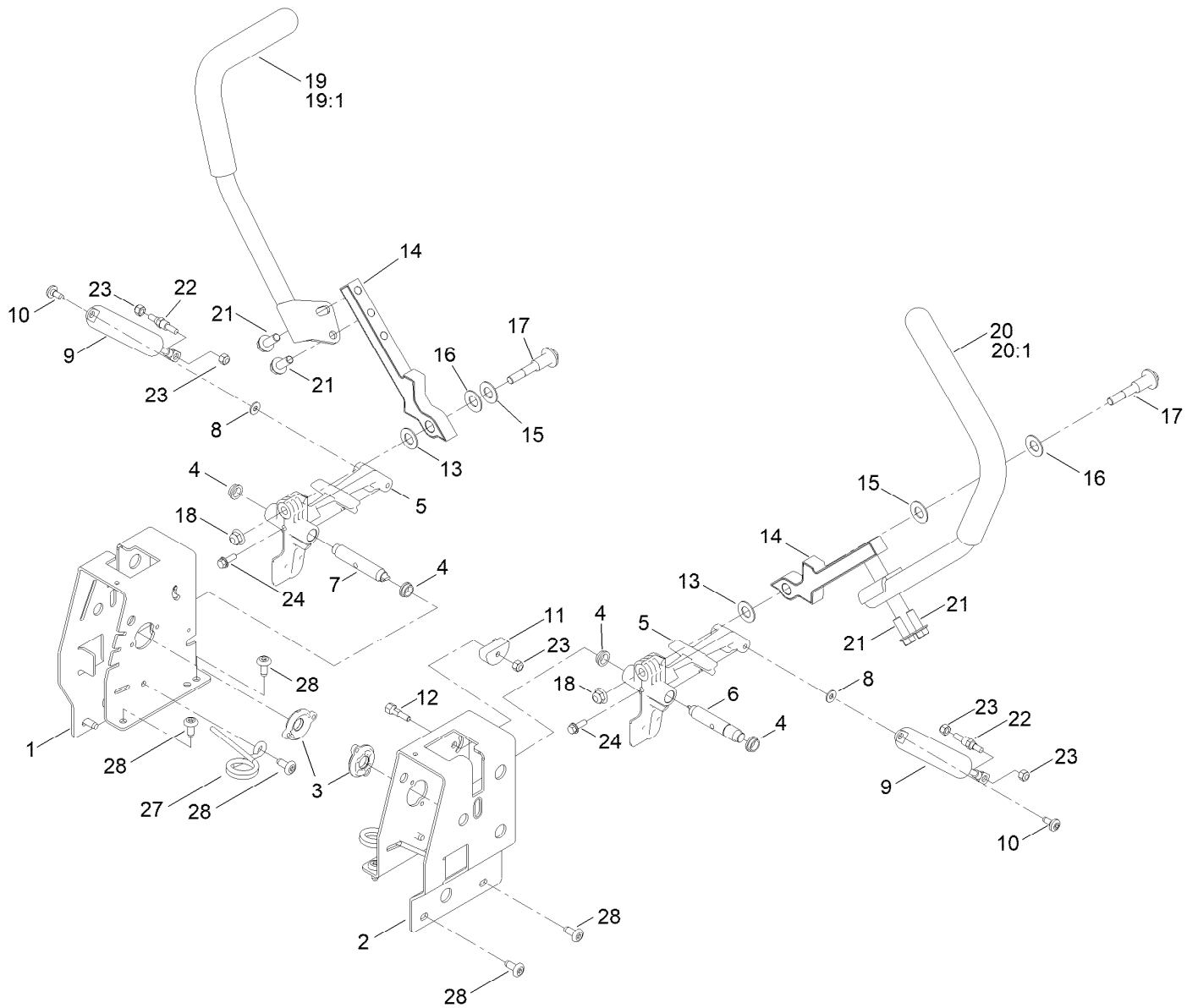
Seat Assembly No. 147-8761



Seat Assembly No. 147-8761 (continued)

<i>Ref.</i>	<i>Part Number</i>	<i>Qty.</i>	<i>Description</i>	<i>Ref.</i>	<i>Part Number</i>	<i>Qty.</i>	<i>Description</i>
1	147-7732	1	Seat ASM	4	161-6184	1	Toro Seat Cover
2	161-6183	1	Toro Back Cover	5	147-8740	1	Slide ASM-Seat
3	147-8736	1	Seat Switch Delta 6500-02 Open	6	119-4036	4	Screw-HHF
				7	82-2190	1	Switch-Bail

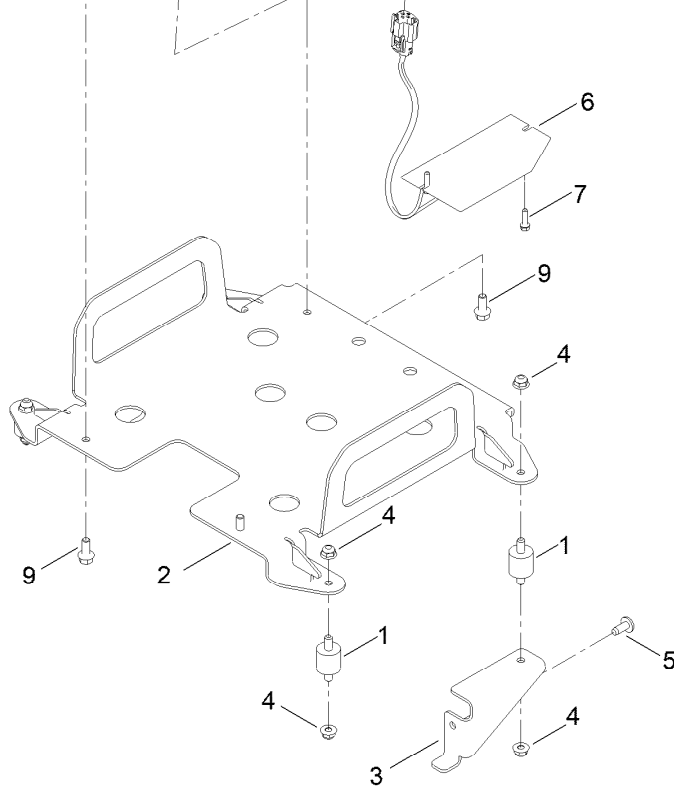
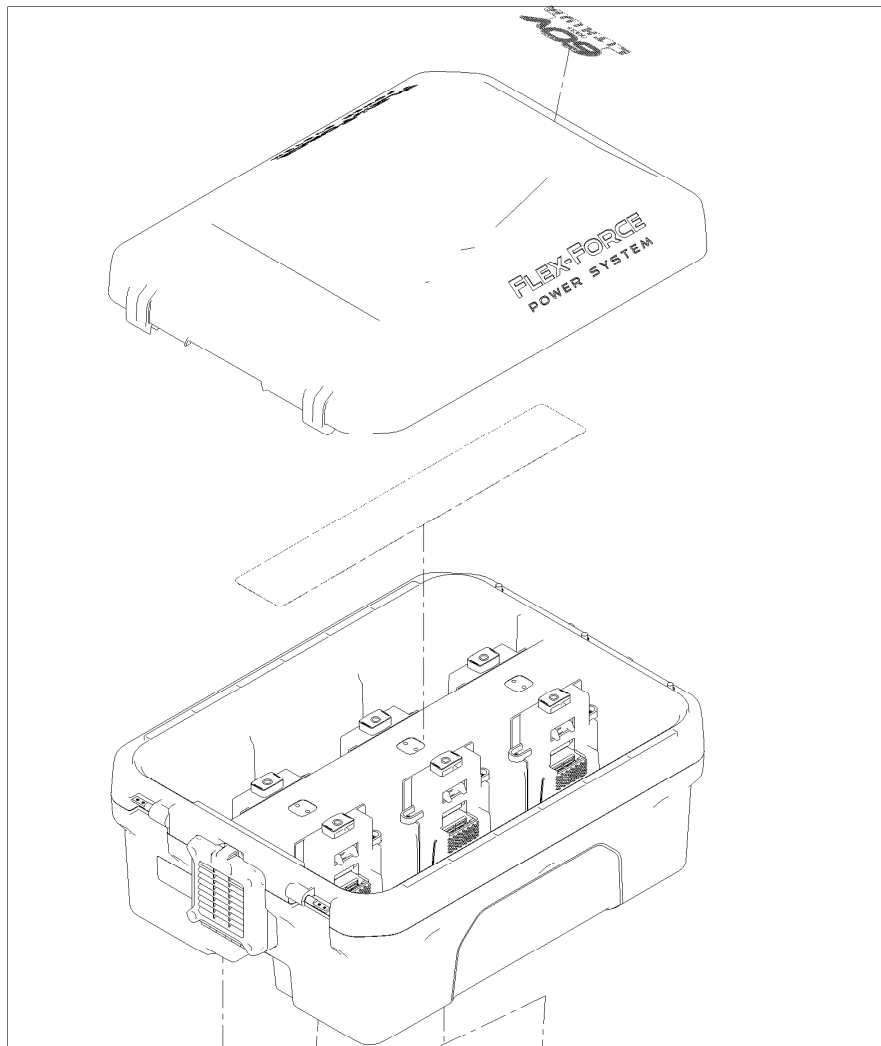
Motion Control Assembly



Motion Control Assembly (continued)

<i>Ref.</i>	<i>Part Number</i>	<i>Qty.</i>	<i>Description</i>	<i>Ref.</i>	<i>Part Number</i>	<i>Qty.</i>	<i>Description</i>
1	140-8322-03	1	Plate-Control Box, RH	15	117-1240	2	Washer
2	140-8342-03	1	Plate-Control Box, LH	16	119-8925	2	Washer-Belleville
3	147-7552	2	Spacer-Sensor	17	139-2556	2	Bolt-Pivot
4	147-7551	4	Bushing-Flange	18	119-4042	2	Nut-HF, NI
5	147-2903	2	Arm-Actuator	19	133-7057	1	Handle-Control, RH
6	147-3009	1	Pin-Lever Pivot, LH	19:1	121-0726	1	Grip
7	147-3010	1	Pin-Lever Pivot, RH	20	133-7055	1	Handle-Control, LH
8	119-8952	2	Washer-Spcl	20:1	121-0726	1	Grip
9	132-6853	2	Damper-Non Cavitating	21	139-2597	4	Screw-HHF
10	120-7950	2	Screw-Torx	22	138-7215	2	Stud-Damper
11	139-5803	2	Eccentric	23	137-3088	6	Nut-Hex
12	139-5811	2	Bolt-Pivot, Eccentric	24	119-1138	2	Screw-HHF,Patch
13	120-2273	2	Washer-Flat	27	138-7539	2	Spring-Torsion
14	133-9299-05	2	Arm-Control	28	138-9753	10	Screw

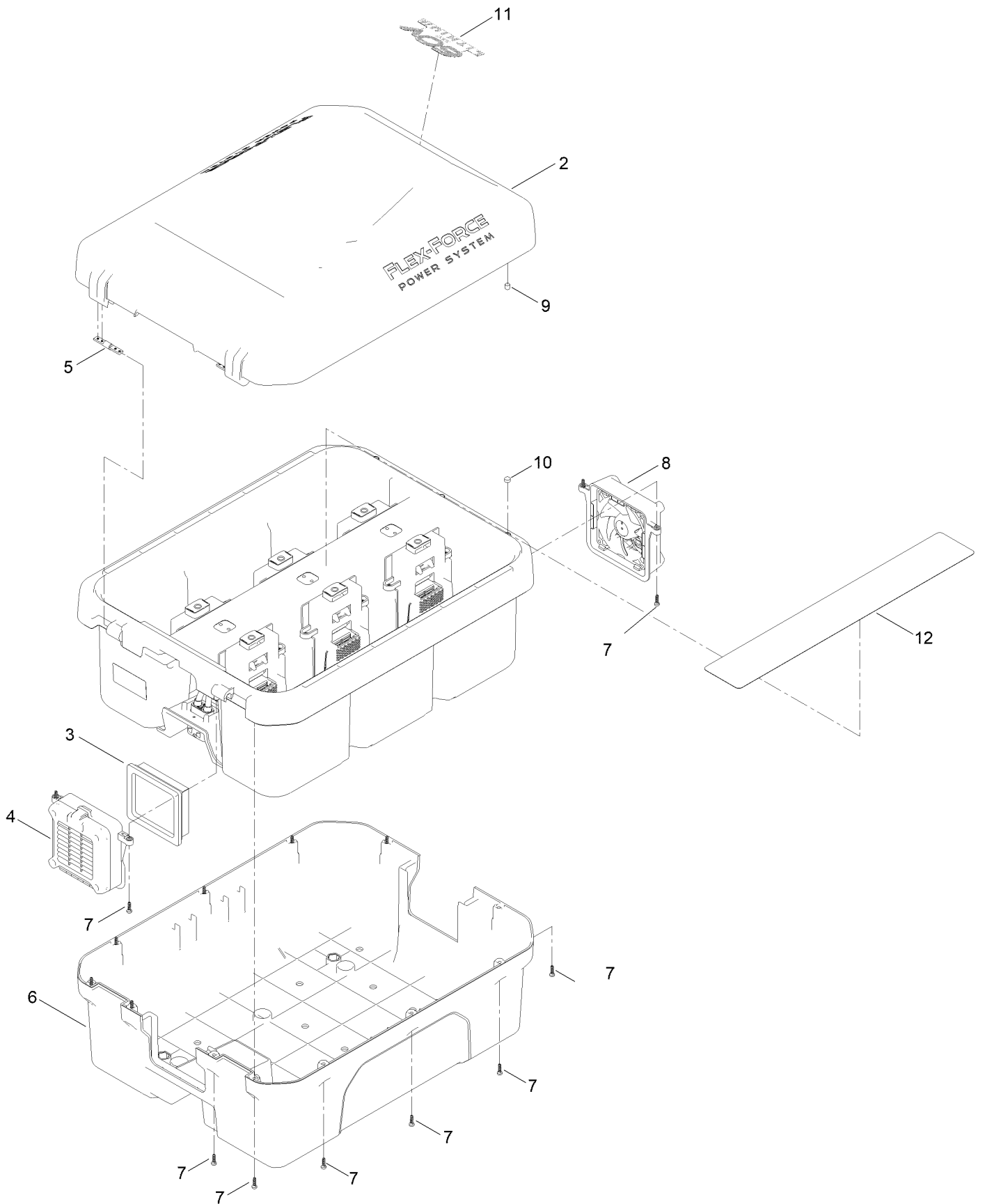
Battery Box Assembly



Battery Box Assembly (continued)

<i>Ref.</i>	<i>Part Number</i>	<i>Qty.</i>	<i>Description</i>	<i>Ref.</i>	<i>Part Number</i>	<i>Qty.</i>	<i>Description</i>
1	147-7605	4	Isolator-1 In OD (5/16-18)	6	147-2192	1	Resistor-Regen
2	161-4468-01	1	Battery Mount ASM [red]	7	145-6922	2	Screw-HWH Thd Roll Zct+w
3	147-7672-03	2	Mount-Box, Rear	8	161-4483	1	Box-Battery, ASM
4	119-4041	8	Nut-HF	9	139-2598	4	Screw-HHF
5	138-9753	2	Screw				

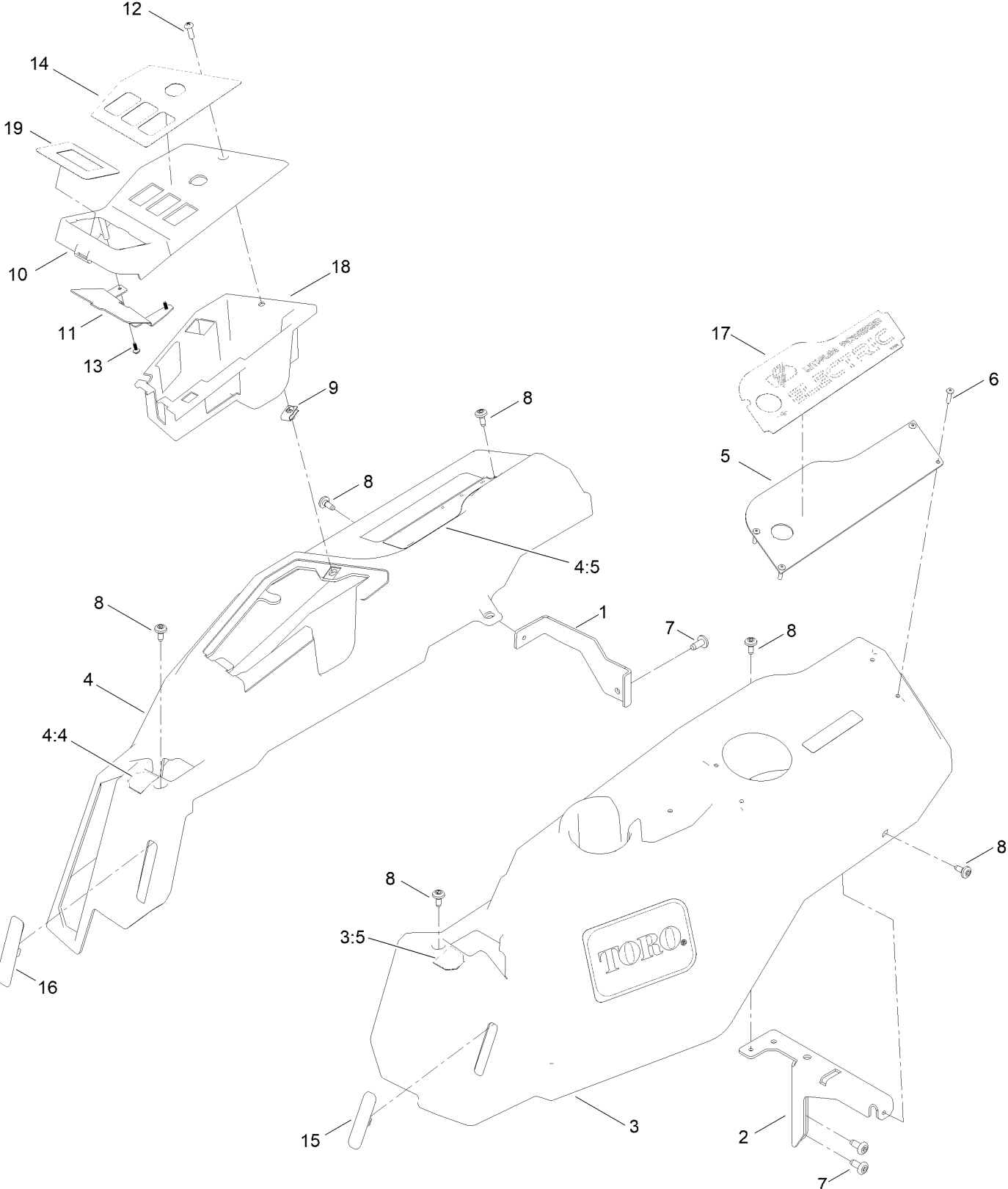
Battery Box Assembly No. 161-4483



Battery Box Assembly No. 161-4483 (continued)

<i>Ref.</i>	<i>Part Number</i>	<i>Qty.</i>	<i>Description</i>	<i>Ref.</i>	<i>Part Number</i>	<i>Qty.</i>	<i>Description</i>
2	147-5348	1	Cover-Box, Battery	8	161-4487	1	Fan-ASM
3	147-5345	1	Filter-Air	9	161-4645	3	Magnet-Lid, Battery Box
4	147-5344	1	Housing-Filter	10	161-4646	3	Magnet-Base, Battery Box
5	161-4648	2	Hinge-Box ASM, Battery	11	147-4208	1	Decal-60V, Lithium
6	147-5342	1	Box-Battery, Outer	12	147-7621	1	Decal-Lithium
7	161-4486	16	Screw-Plastic 4Mmx14MM, Globe				

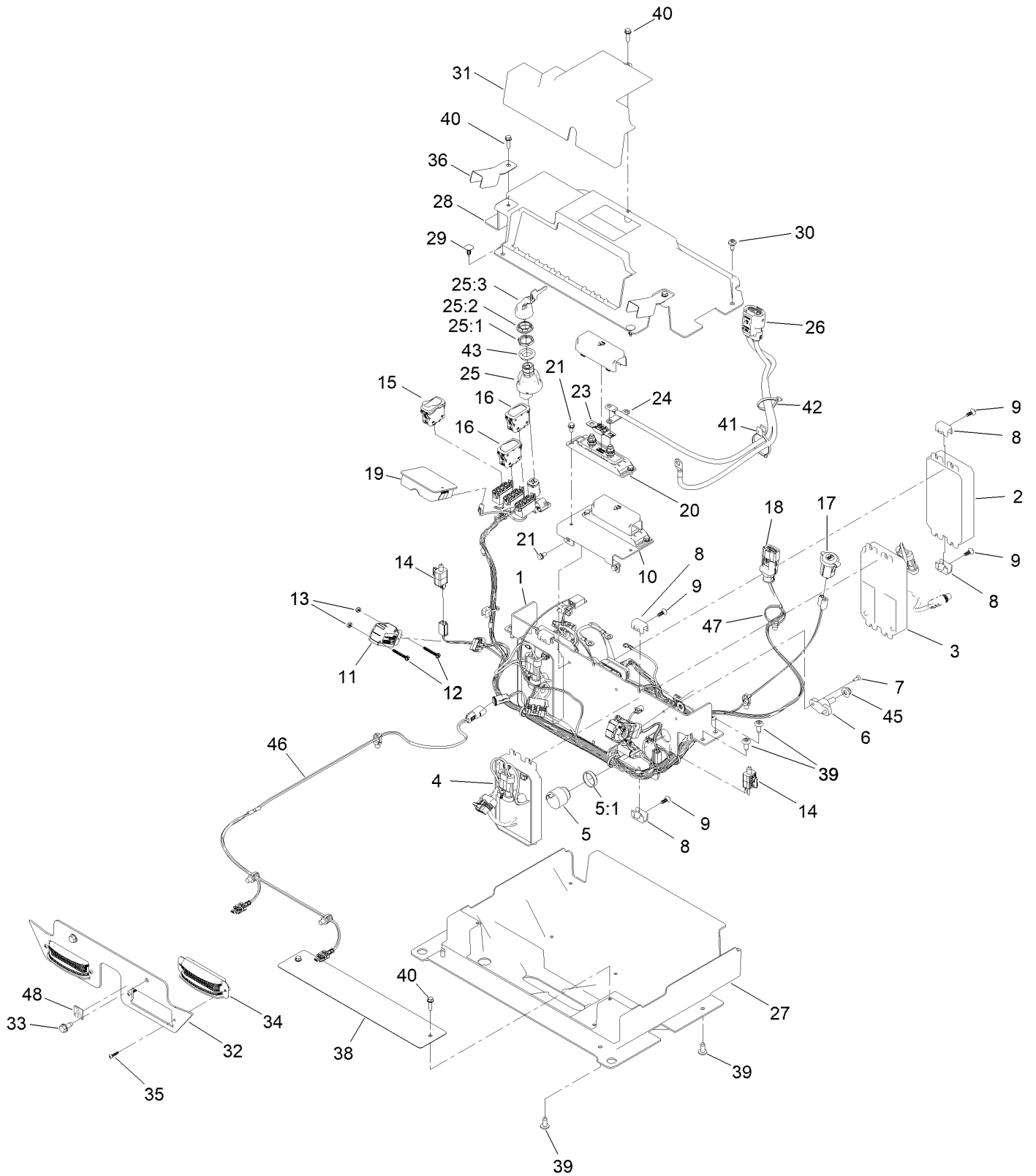
Styling Pod Assembly



Styling Pod Assembly (continued)

<i>Ref.</i>	<i>Part Number</i>	<i>Qty.</i>	<i>Description</i>	<i>Ref.</i>	<i>Part Number</i>	<i>Qty.</i>	<i>Description</i>
1	138-9810-03	1	Bracket-Pod	9	107069	1	Clip
2	138-6071-03	1	Support-Pod, LH	10	147-7576	1	Pod-Control
3	145-0501	1	Pod-LH	11	147-7577-03	1	Cover-Console
3:5	147-7620	1	Decal - Control Lever, LH	12	3258-166	1	Screw-PRH
4	147-7742	1	Pod-RH, Myride	13	145-5837	2	Screw-Plastic,Tbfh
4:4	147-7619	1	Decal - Control Lever, RH	14	147-7614	1	Decal-Panel, Control
4:5	139-2397	1	Decal-Adjustment	15	147-7629	1	Plug-Pod, LH
5	145-0502-03	1	Plate-Cover, Pod	16	147-7691	1	Plug-Sc
6	130-8451	4	Rivet-Trifold	17	147-7461	1	Decal-60V Lithium
7	138-9753	3	Screw	18	147-7666	1	Cover-Switch
8	120-7950	6	Screw-Torx	19	147-7715	1	Decal-Gt Display

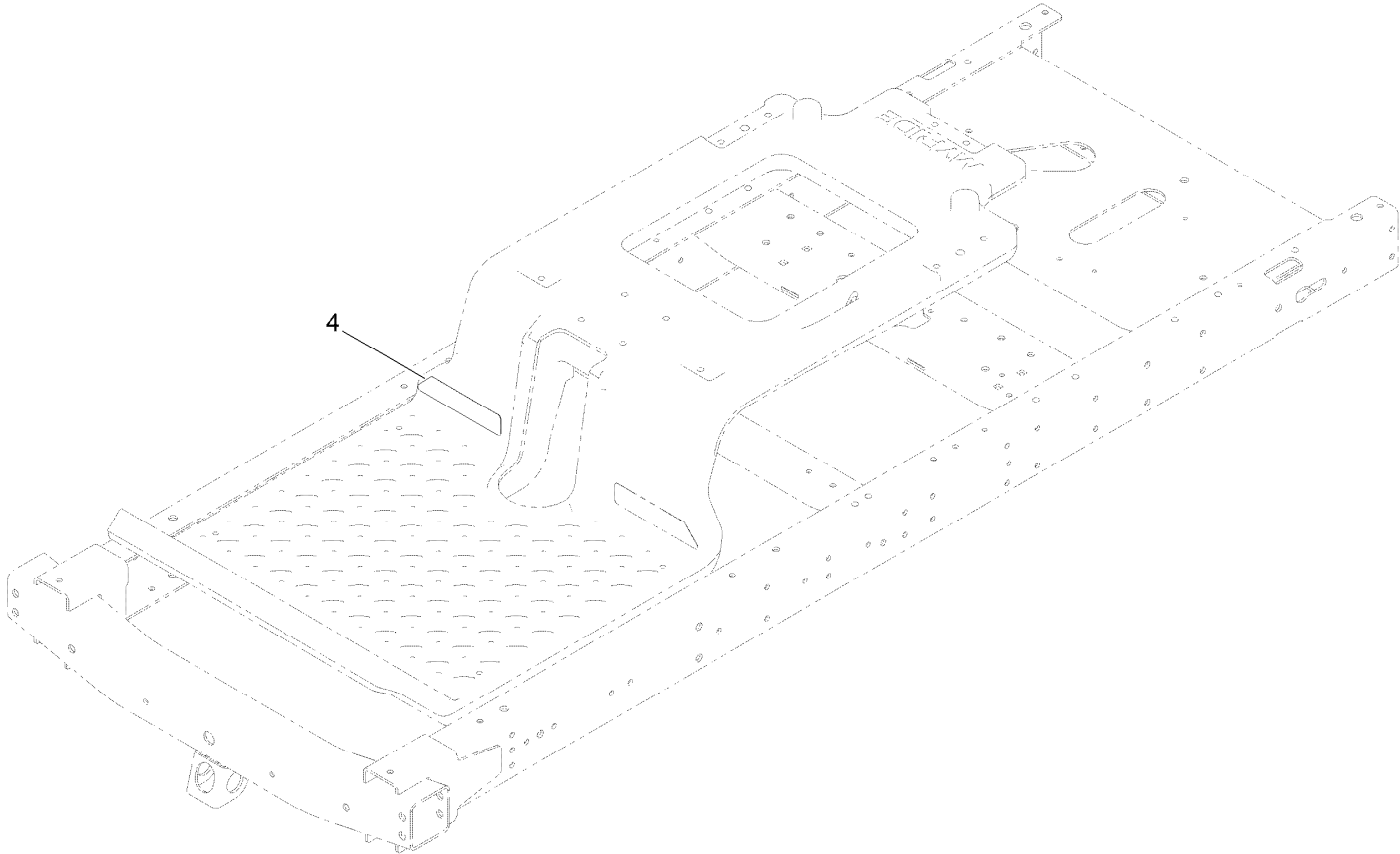
Electrical Assembly



Electrical Assembly (continued)

<i>Ref.</i>	<i>Part Number</i>	<i>Qty.</i>	<i>Description</i>	<i>Ref.</i>	<i>Part Number</i>	<i>Qty.</i>	<i>Description</i>
1	147-7667-03	1	Mount-Controllers	25	122-2513	1	Switch-Ignition, Suns
2	147-7631	1	Controller-Master	25:1	121-5160	1	Nut-Hex
3	147-7635	2	Controller-Traction	25:2	122-2704	1	Nut-Face, M22 (Plastic)
4	147-7633	2	Controller-Deck	25:3	121-5162	1	Set-Key, Ignition
5	80-9330	1	Audio Alarm ASM	26	147-7584	1	Harness-Wire, Power Cable
5:1	104-5107	1	Nut-Plastic, Knurled	27	147-7668	1	Cover-Bottom
6	110-8823	1	Block-Junction	28	147-7670	1	Cover-Controller
7	105-6849	2	Screw-Forming, Thread	29	117-2382	2	Plug-Plastic
8	145-0586	6	Clip-Controller	30	120-7950	2	Screw-Torx
9	138-5775	6	Screw-Delta Point	31	147-7680	1	Cover-Outer
10	147-5200-03	1	Mount-Holder, Fuse	32	139-7488-01	1	Mount-Head Lights
11	140-8373	2	Sensor	33	32144-70	2	Screw-HWHTF
12	147-7729	4	Screw-HWH	34	139-5825	2	ASM-Light,LED
13	147-7730	4	Nut-Hex NI	35	94-4496	4	Screw-PPH
14	110-6765	2	Switch	36	147-7681-03	2	Cover-Sensor
15	139-6368	1	Switch-Rocker, On-None-On	38	147-7719-03	1	Cover-Wire
16	145-0467	2	Switch-Rocker On- None- On	39	138-9753	8	Screw
17	140-7955	1	Port-Power, USB	40	137-3099	5	Screw-Plastite, HWH
18	139-6393	1	Harness-Wire, 2 Blade	41	32180-078	1	Clip-Edge
19	147-2198	1	Display	42	3290-378	1	Tie-Cable
20	145-4958	2	Holder-Fuse	43	145-7110	1	Adapter-Switch, Key
21	32144-4	6	Screw-HWH	45	119-4042	1	Nut-HF, NI
23	122-2559	2	Fuse-100 Amp	46	147-8762	1	Harness-Wire, LED Lights
24	147-5340	1	Busbar-2, Switch	47	32180-030	1	Clip-Tie
				48	147-0290	1	Decal-Light, Warning

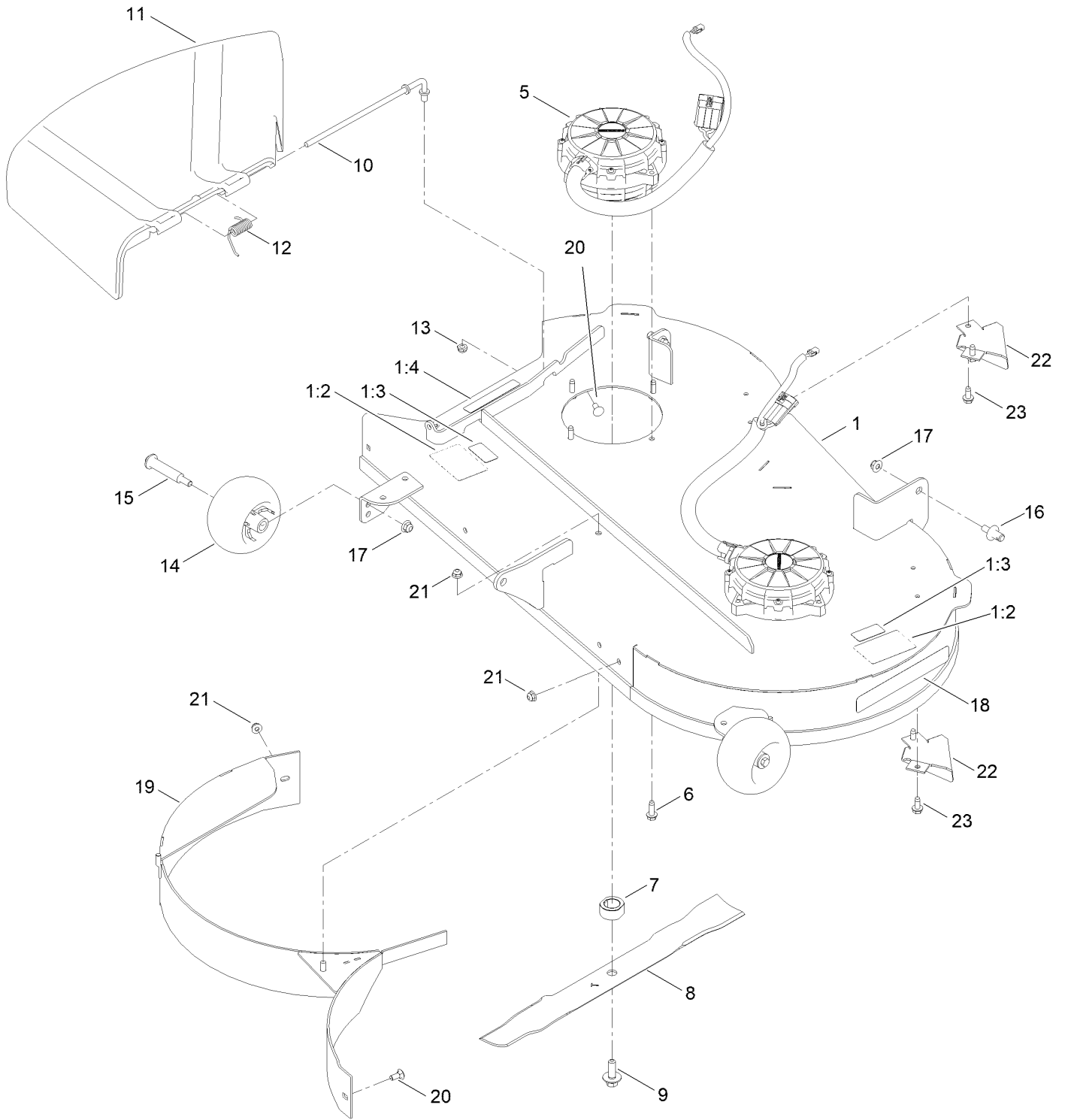
Decal Specific Assembly



Decal Specific Assembly (continued)

<i>Ref.</i>	<i>Part Number</i>	<i>Qty.</i>	<i>Description</i>
4	161-4550	1	Decal Emr4275

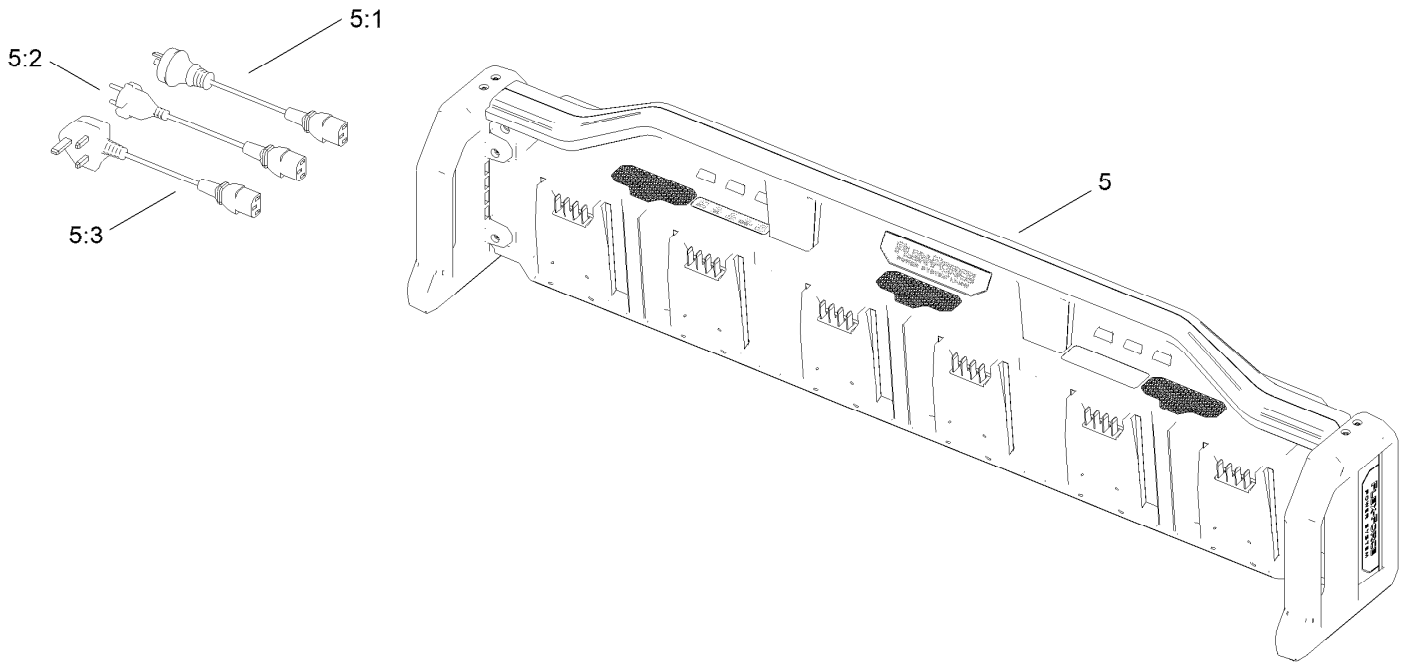
42in Deck and Decal Assembly



42in Deck and Decal Assembly (continued)

<i>Ref.</i>	<i>Part Number</i>	<i>Qty.</i>	<i>Description</i>	<i>Ref.</i>	<i>Part Number</i>	<i>Qty.</i>	<i>Description</i>
1	147-7654	1	42 In Deck And Decal ASM	13	121-4600	1	Nut-Hex
1:2	147-7615	2	Decal-Danger, Deck	14	1-603299	2	Roller-Scalp, Anti
1:3	137-8127	2	Decal-No Spray	15	139-2551	2	Bolt-Shoulder
1:4	130-0731	1	Decal-Danger	16	139-5871	2	Pin-Deck
5	140-8379	2	Motor-Deck	17	119-4042	4	Nut-HF, NI
6	136-7174	8	Screw-Thd Roll, HWH	18	140-4184	1	Decal
7	140-8361	2	Driver-Blade	19	147-7678-03	1	Baffle-Recycling [welded][black]
8	144-1948-03	2	Blade-21.60 In, Combination	20	139-2630	2	Bolt-CARR
9	145-0411	2	Bolt-Blade, Sems	21	119-4041	4	Nut-HF
10	137-2019	1	Rod-Pivot	22	119-3389-03	2	Kicker-Flanged
11	138-7502	1	Deflector-Discharge	23	32144-70	4	Screw-HWHTF
12	138-7268	1	Spring-Torsion				

Battery Charger Kit Assembly

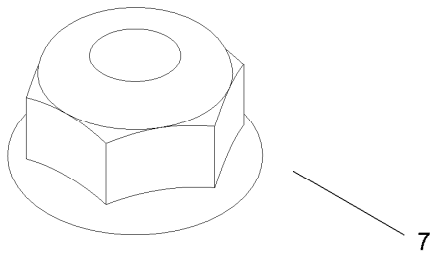
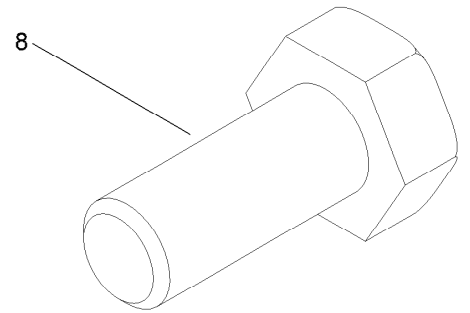
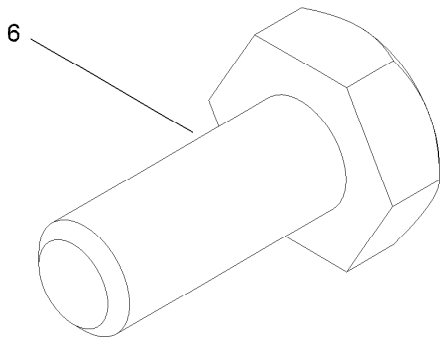


Battery Charger Kit Assembly (continued)

<i>Ref.</i>	<i>Part Number</i>	<i>Qty.</i>	<i>Description</i>	<i>Ref.</i>	<i>Part Number</i>	<i>Qty.</i>	<i>Description</i>
5		1	Charger-Battery, Six Pod 60V 12 Amp CE ●	5:2	147-1872	1	Cord-Charger, Six Pod, CE
5:1	147-1871	1	Cord-Charger, Six Pod, Au/Nz	5:3	147-1873	1	Cord-Charger, Six Pod, Uk

● Not serviced separately

Miscellaneous Parts



Miscellaneous Parts (continued)

<i>Ref.</i>	<i>Part Number</i>	<i>Qty.</i>	<i>Description</i>
6	137-3041	4	Screw-HH
7	119-4040	4	Nut-HF, NI
8	137-3052	2	Screw-HH

Attachments and Accessories

For 75642 — eTimeCutter My Ride 4275T 107cm Riding Mower

Product Name	Model/Part
42 Inch Bagging Enhancement Kit.....	161-4521
42 Inch Striping Kit.....	161-4523
Heavy Duty Spring Kit.....	161-4525
Deck Footlift Assist Kit	161-4527
Floormat Kit	161-4529
Caster Wheel Kit.....	161-4530
Storage Cover	490-7516
Battery Charger, Six Pod 60V 12 Amp CE	66560
60V 10.0 AH Battery LI-ION, CE	68810
60V Battery Charger 2 Amp CE	81802
60v Battery Charger 5 Amp International	81805
60V 2.0 AH Battery International.....	81820
60V 2.5 AH Battery CE	81825
60V 4.0 AH Battery CE	81850
60V 6.0 AH Battery CE	81860
60V 7.5 AH Battery CE	81875

Notes:

Notes:

Notes:



Count on it.