



**Count on it.**

**Parts Catalog**

**TimeCutter® 42in**

**Riding Mower**

Model No. 75748—Serial No. 414128800 and Up



# Ordering Replacement Parts

To order replacement parts, please supply the part number, the quantity, and the description of each part desired.

## Understanding Reference Numbers

Each identified part in an illustration has a reference number. The reference number for a part also appears in the parts list, along with other information about the part.

This catalog uses two special reference number formats, one to indicate parts in a service assembly and another to indicate the quantity of a given part in an illustration.

## Service Assembly Reference Numbers

Parts in service assemblies have reference numbers in the form a:b. The a represents the reference number of the entire service assembly and the b represents a sequential number unique to each part within the service assembly.

For example, a wheel assembly might be identified by reference number 6, the tire by 6:1, the valve by 6:2, and the wheel by 6:3. When you order the assembly identified by reference number 6, you receive all parts identified by reference numbers 6:1, 6:2, and 6:3. However, you may also order any part individually. Reference numbers of this type appear in illustration and in parts lists.

## Reference Numbers Indicating Quantity

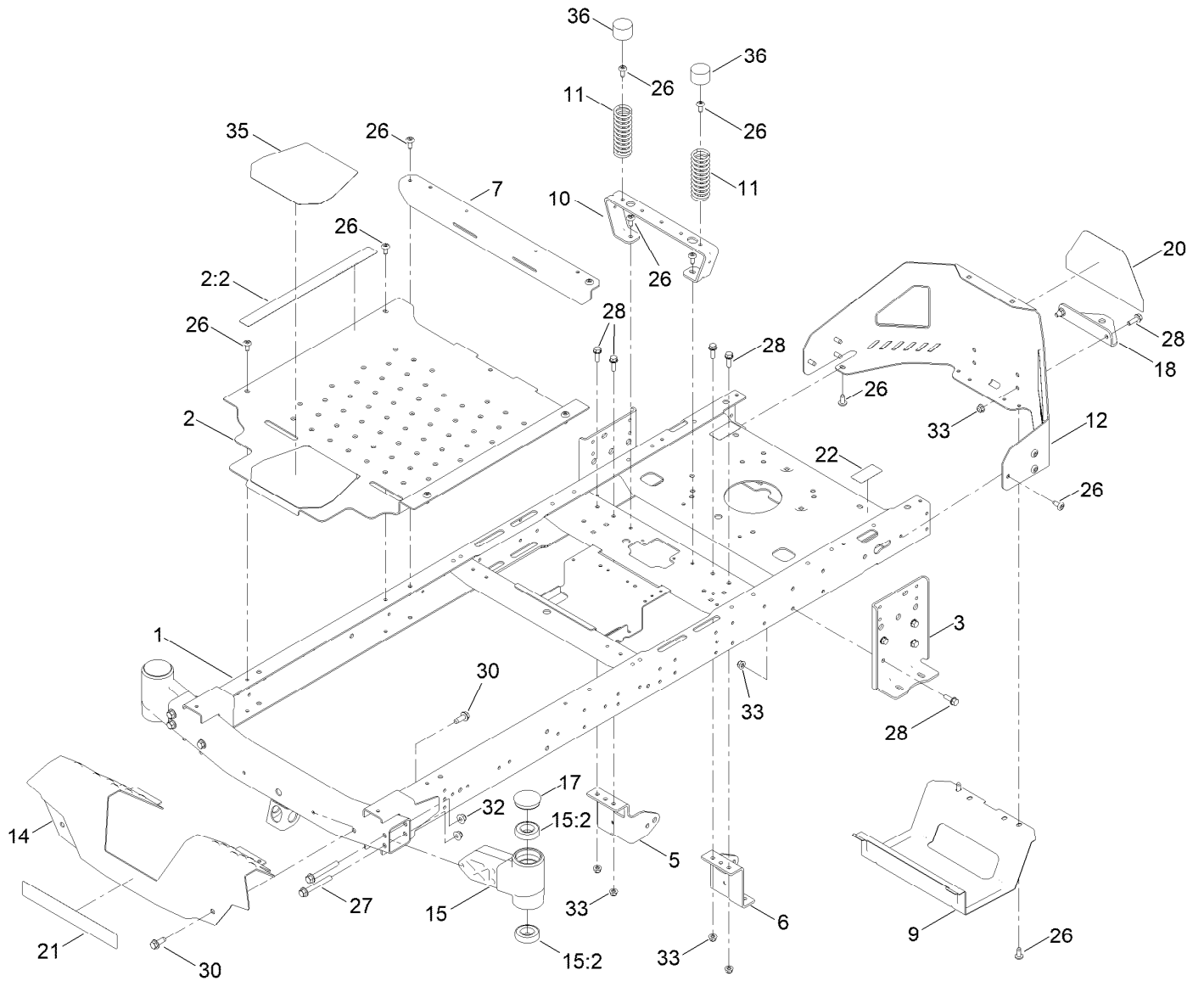
In an illustration, if a reference number indicates more than one part, the reference number has the form nX y. The n represents the quantity of the part, the X is the multiplication symbol, and the y represents the reference number.

For example, in an illustration, the reference number 2X 37 means that two of the parts identified by reference number 37 are indicated.

# Contents

|   |    |
|---|----|
| Frame Assembly . . . . .                              | 4  |
| Deck Lift Assembly . . . . .                          | 6  |
| Tire and Caster Assembly . . . . .                    | 8  |
| Traction Drive Assembly . . . . .                     | 10 |
| LH Hydro Transmission Assembly No. 139-7450 . . . . . | 12 |
| RH Hydro Transmission Assembly No. 139-7451 . . . . . | 14 |
| Brake Assembly . . . . .                              | 16 |
| Rear Tire Assembly . . . . .                          | 18 |
| Seat Pan Assembly . . . . .                           | 20 |
| Seat Assembly No. 147-5157 . . . . .                  | 22 |
| Motion Control Assembly . . . . .                     | 24 |
| Engine and Muffler Assembly . . . . .                 | 26 |
| Fuel and Body Styling Assembly . . . . .              | 28 |
| Electrical Assembly . . . . .                         | 30 |
| 42in Deck and Decal Assembly . . . . .                | 32 |
| Decal Assembly . . . . .                              | 34 |
| Clutch Assembly . . . . .                             | 36 |
| Attachments and Accessories . . . . .                 | 38 |

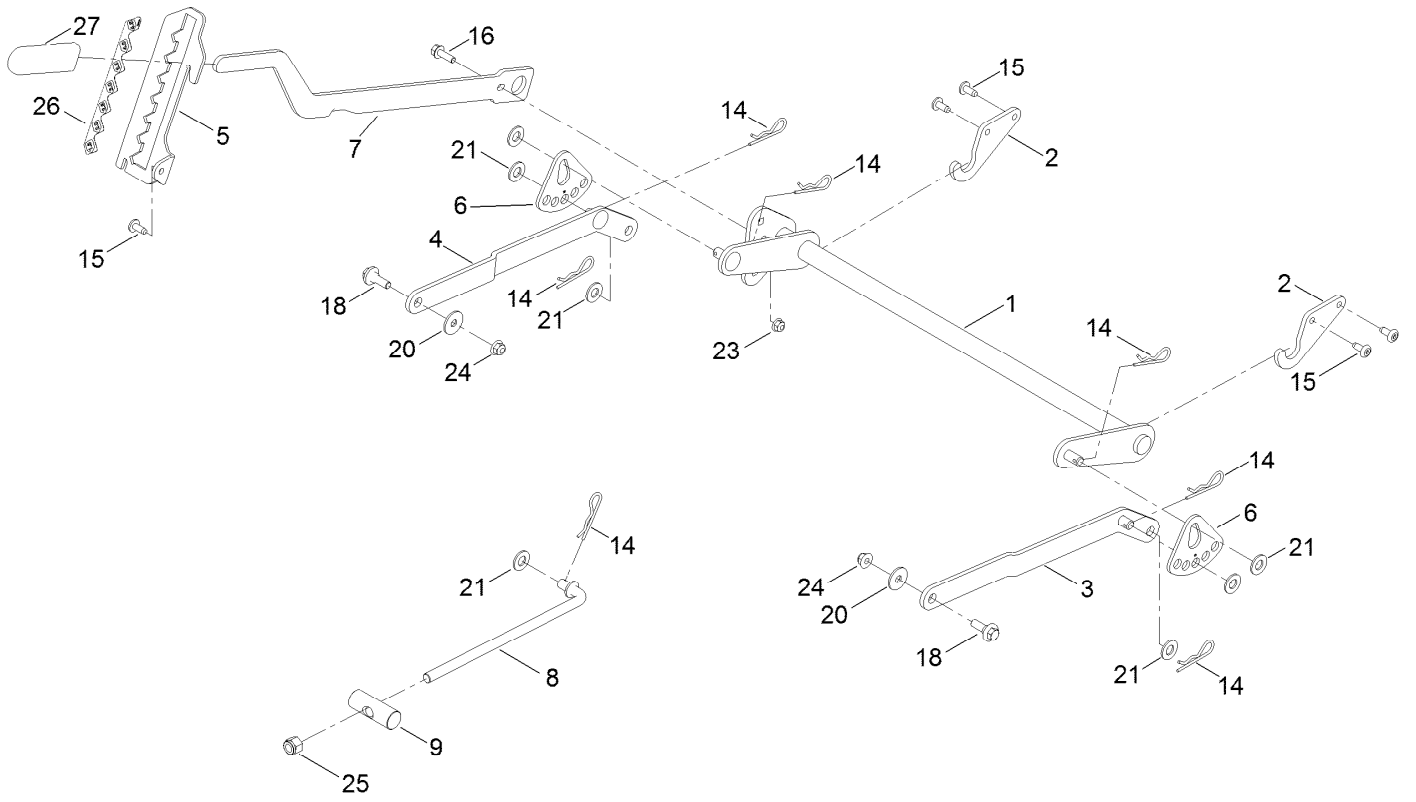
# Frame Assembly



## Frame Assembly (continued)

| <i>Ref.</i> | <i>Part Number</i> | <i>Qty.</i> | <i>Description</i>         | <i>Ref.</i> | <i>Part Number</i> | <i>Qty.</i> | <i>Description</i> |
|-------------|--------------------|-------------|----------------------------|-------------|--------------------|-------------|--------------------|
| 1           | 137-9820-01        | 1           | Frame Assembly             | 17          | 138-7200           | 2           | Cap-Grease         |
| 2           | 140-5045           | 1           | Pan-Floor ASM              | 18          | 117-1232-03        | 1           | Bracket-Hitch      |
| 2:2         | 144-5288           | 1           | Decal-Warning              | 20          | 139-5890           | 1           | Decal-Timecutter   |
| 3           | 138-7520-01        | 2           | Plate-Mount, Hydro         | 21          | 139-2387           | 1           | Decal-Timecutter   |
| 5           | 137-7020-01        | 1           | Mount-Hydro, Front (Right) | 22          | 121-2989           | 2           | Decal-Bypass       |
| 6           | 139-3211-01        | 1           | Mount-Hydro, Front (Left)  | 26          | 138-9753           | 20          | Screw              |
| 7           | 138-9791-01        | 1           | Brace-Cross                | 27          | 139-2429           | 4           | Screw-HHF          |
| 9           | 138-0867-03        | 1           | Guard-Muffler              | 28          | 3234-29            | 14          | Screw-HHF          |
| 10          | 138-6036-03        | 1           | Support-Seat               | 30          | 139-2428           | 4           | Screw-HWH          |
| 11          | 138-2548           | 2           | Spring-Compression         | 32          | 139-2430           | 4           | Nut-HF, NI         |
| 12          | 138-9820-03        | 1           | Guard-Engine               | 33          | 104-8300           | 14          | Nut-HF, NI         |
| 14          | 138-9827-01        | 1           | Footrest                   | 35          | 139-3220           | 1           | Tread-Step         |
| 15          | 140-2098           | 2           | Axle Stub ASM              | 36          | 701178             | 2           | Cap-Protector      |
| 15:2        | 109-3678           | 2           | Bearing-Ball               |             |                    |             |                    |

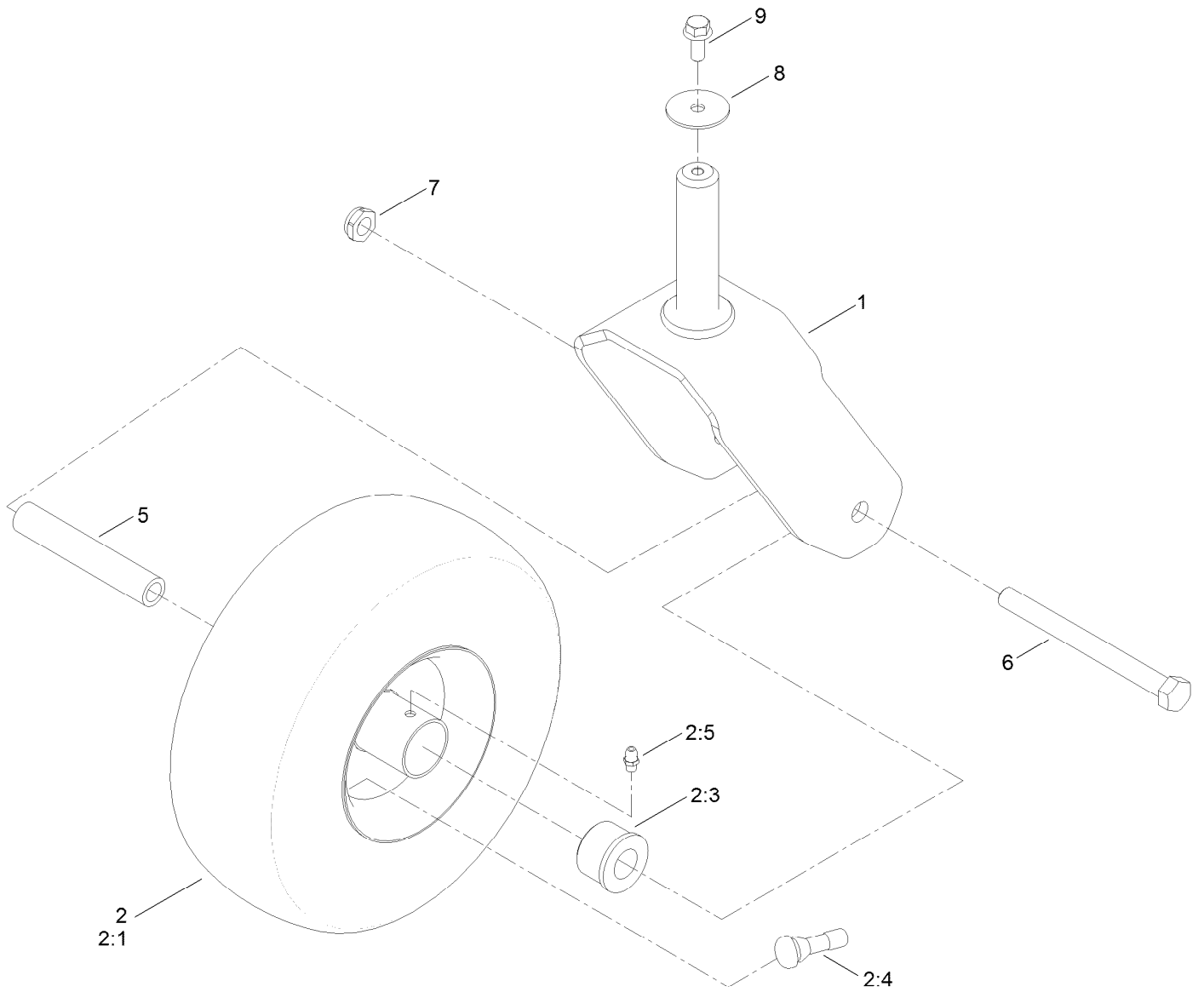
# Deck Lift Assembly



## Deck Lift Assembly (continued)

| <i>Ref.</i> | <i>Part Number</i> | <i>Qty.</i> | <i>Description</i>      | <i>Ref.</i> | <i>Part Number</i> | <i>Qty.</i> | <i>Description</i> |
|-------------|--------------------|-------------|-------------------------|-------------|--------------------|-------------|--------------------|
| 1           | 137-7093-03        | 1           | Deck Lift ASM           | 15          | 138-9753           | 5           | Screw              |
| 2           | 138-6021           | 2           | Bracket-Pivot, Decklift | 16          | 3234-29            | 1           | Screw-HHF          |
| 3           | 137-9844           | 1           | LH Arm ASM              | 18          | 137-9847           | 2           | Screw-Shoulder     |
| 4           | 137-9846           | 1           | RH Arm ASM              | 20          | 93-8806            | 2           | Washer-Hardened    |
| 5           | 139-2350-01        | 1           | Bracket-HOC             | 21          | 3256-26            | 7           | Washer-Flat        |
| 6           | 138-2564           | 2           | Plate-Adjustment, HOC   | 23          | 104-8300           | 1           | Nut-HF, NI         |
| 7           | 137-7087-03        | 1           | Lever-Lift              | 24          | 104-8301           | 2           | Nut-HF, NI         |
| 8           | 138-6050           | 1           | Rod-Mount, Deck         | 25          | 3296-19            | 1           | Nut-Hex            |
| 9           | 119-8810           | 1           | Pin-Pivot               | 26          | 139-2392           | 1           | Decal-HOC          |
| 14          | 1-806005           | 7           | Pin-Cotter              | 27          | 1-633268           | 1           | Grip-Lever         |

# Tire and Caster Assembly



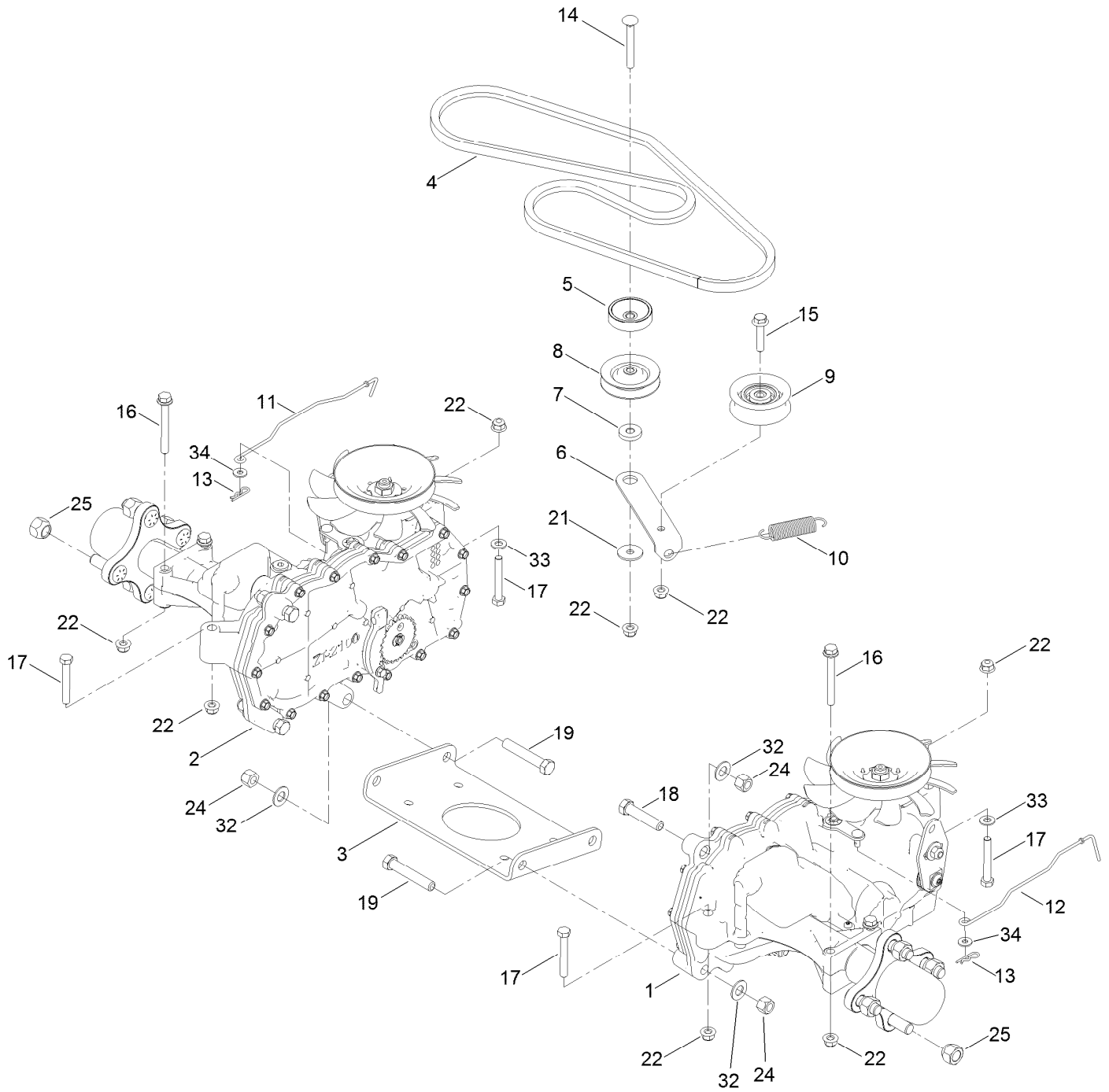
## Tire and Caster Assembly (continued)

| <i>Ref.</i> | <i>Part Number</i> | <i>Qty.</i> | <i>Description</i> | <i>Ref.</i> | <i>Part Number</i> | <i>Qty.</i> | <i>Description</i> |
|-------------|--------------------|-------------|--------------------|-------------|--------------------|-------------|--------------------|
| 1           | 139-3274-01        | 2           | Fork ASM           | 2:99        | 105-0844           | 1           | Tube-Inner ●■      |
| 2           | 139-5842           | 2           | Tire ASM           | 5           | 138-7240           | 2           | Bushing-Spanner    |
| 2:1         | 140-2736           | 1           | Tire               | 6           | 325-22             | 2           | Screw-HH           |
| 2:3         | 114-1640           | 2           | Bushing-Flange     | 7           | 3296-45            | 2           | Nut-Hex            |
| 2:4         | 232-27             | 1           | Stem-Valve         | 8           | 3256-68            | 2           | Washer-Flat        |
| 2:5         | 302-5              | 1           | Fitting-Grease     | 9           | 3234-47            | 2           | Screw-HHF          |

● Not illustrated

■ Optional Equipment

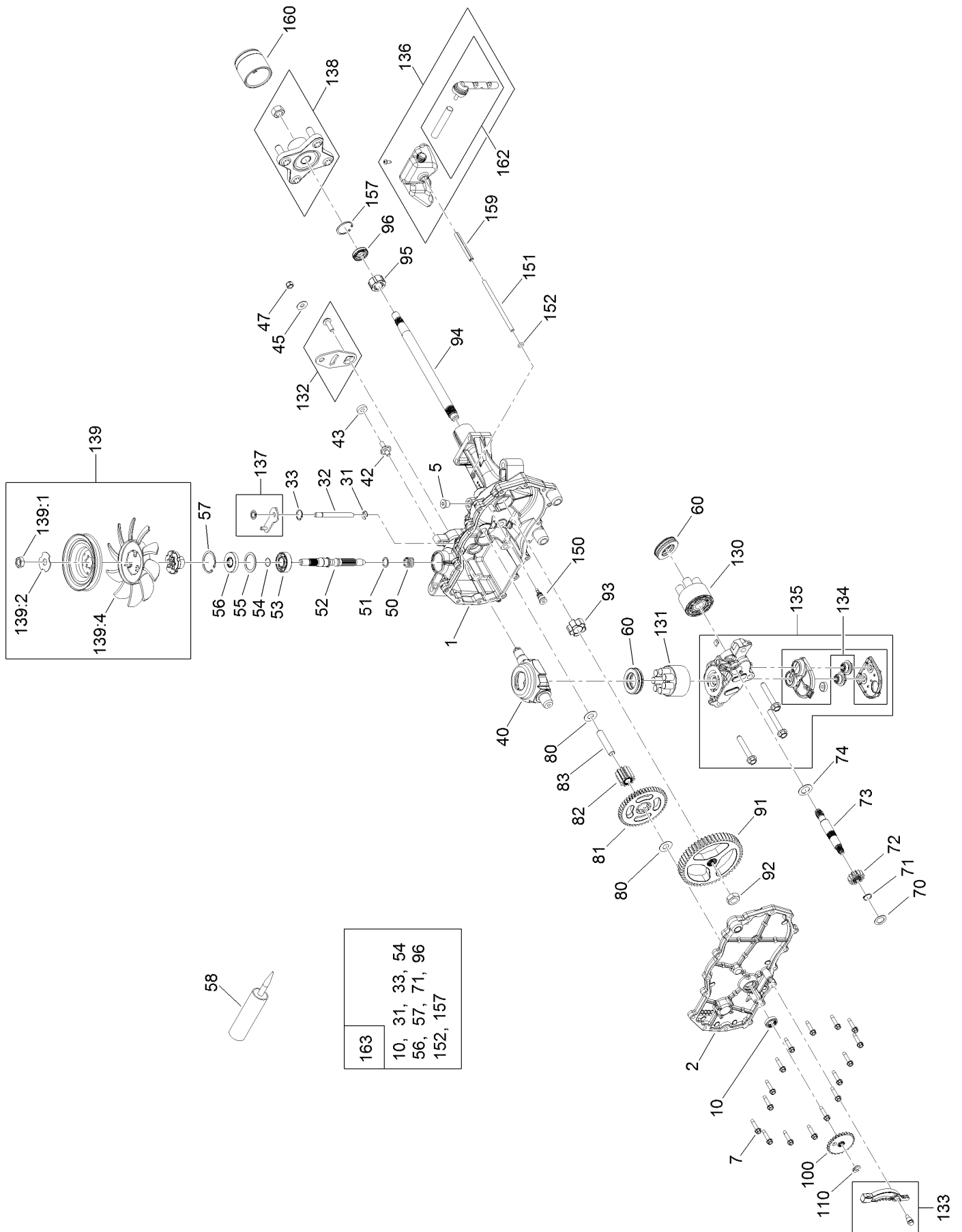
# Traction Drive Assembly



## Traction Drive Assembly (continued)

| <i>Ref.</i> | <i>Part Number</i> | <i>Qty.</i> | <i>Description</i>     | <i>Ref.</i> | <i>Part Number</i> | <i>Qty.</i> | <i>Description</i> |
|-------------|--------------------|-------------|------------------------|-------------|--------------------|-------------|--------------------|
| 1           | 139-7450           | 1           | LH Hydro Transaxle ASM | 14          | 3230-8             | 1           | Screw-CARR         |
| 2           | 139-7451           | 1           | RH Hydro Transaxle ASM | 15          | 115-1794           | 1           | Screw-HHF          |
| 3           | 138-2571-03        | 1           | Crossplate-Hydro       | 16          | 138-7590           | 4           | Screw-HHF          |
| 4           | 139-2399           | 1           | V-Belt                 | 17          | 322-11             | 4           | Screw-HH           |
| 5           | 138-9809           | 1           | Spacer                 | 18          | 324-8              | 2           | Screw-HH           |
| 6           | 138-7276           | 1           | Arm-Idler              | 19          | 324-10             | 4           | Screw-HH           |
| 7           | 138-7277           | 1           | Spacer-Arm, Idler      | 21          | 5-4460             | 1           | Washer-Pivot       |
| 8           | 68-0030            | 1           | Idler                  | 22          | 104-8300           | 10          | Nut-HF, NI         |
| 9           | 138-7597           | 1           | Pulley-Idler, Flat     | 24          | 3296-48            | 6           | Nut-Hex            |
| 10          | 137-7040           | 1           | Spring-Return, Pedal   | 25          | 242-50             | 8           | Nut-Lug            |
| 11          | 138-7245           | 1           | Rod-Bypass, RH         | 32          | 3256-25            | 6           | Washer-Flat        |
| 12          | 138-7243           | 1           | Rod-Bypass, LH         | 33          | 3256-23            | 2           | Washer-Plain       |
| 13          | 3290-307           | 2           | Pin-Cotter             | 34          | 119-8952           | 2           | Washer-Spcl        |

# LH Hydro Transmission Assembly No. 139-7450

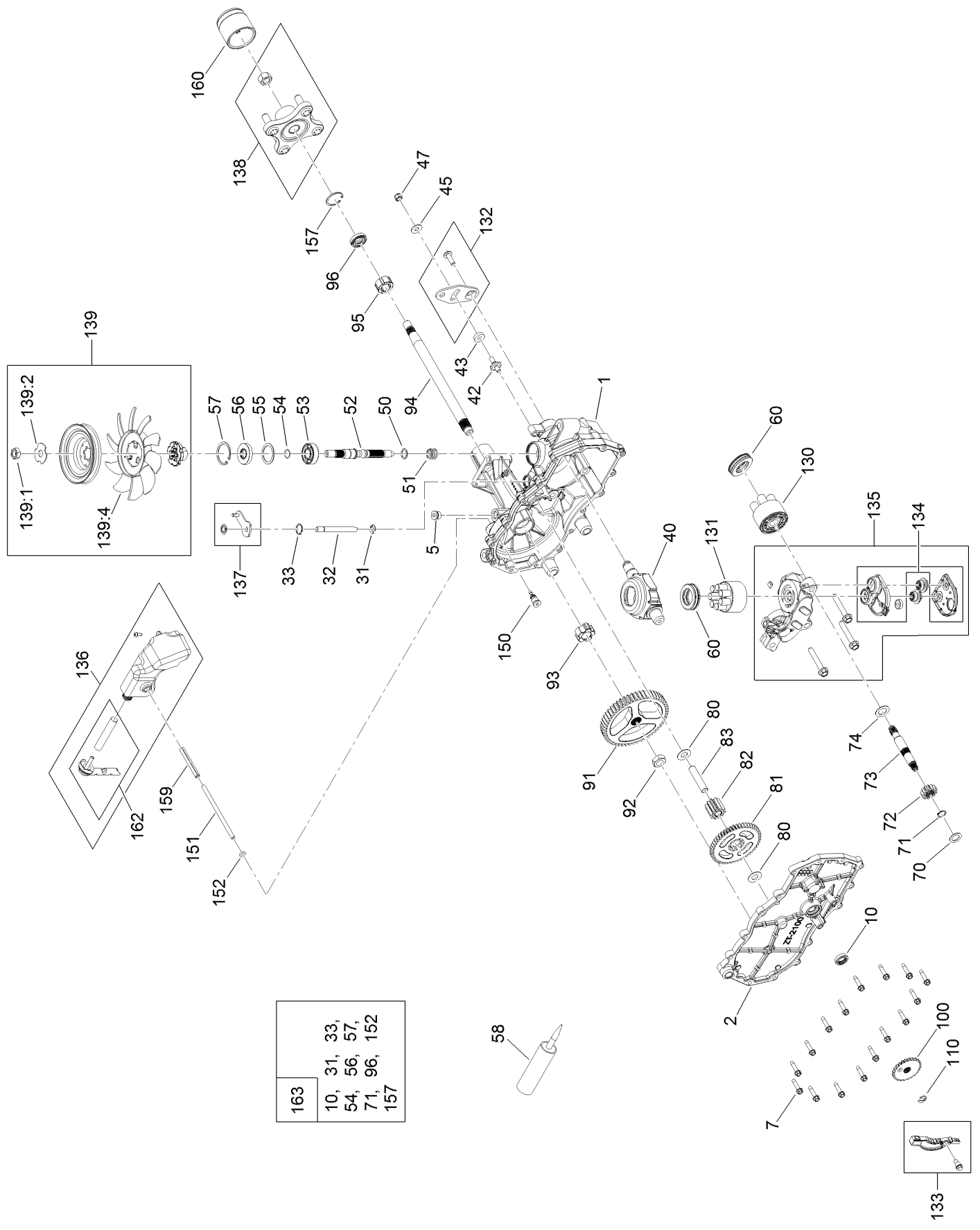


# LH Hydro Transmission Assembly No. 139-7450 (continued)

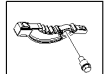
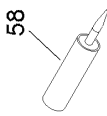
| <i>Ref.</i> | <i>Part Number</i> | <i>Qty.</i> | <i>Description</i>                     | <i>Ref.</i> | <i>Part Number</i> | <i>Qty.</i> | <i>Description</i>        |
|-------------|--------------------|-------------|--|-------------|--------------------|-------------|---------------------------|
| 1           | 120-5532           | 1           | Main Housing ASM                       | 80          | 119-5541           | 1           | *obs* Washer              |
| 2           | 120-5534           | 1           | Housing Side Kit                       | 81          | 104-5317           | 1           | Gear-10T/48T              |
| 5           | 104-2189           | 1           | Plug-Thread, Straight                  | 82          | 104-5318           | 1           | Gear-Jackshaft, 10T       |
| 7           | 117-5359           | 16          | Screw-HHF                              | 83          | 104-5329           | 1           | Pin-Jackshaft             |
| 10          | 104-2147           | 1           | Sealant, Silicone -<br>Non-Flammable ● | 91          | 120-5539           | 1           | Gear-Bull                 |
| 31          | 106-8677           | 1           | Ring-Retaining, External               | 92          | 104-2142           | 1           | Nut-HJ                    |
| 32          | 106-8678           | 1           | Rod-Bypass                             | 93          | 115-8314           | 1           | Bushing-Inboard           |
| 33          | 106-8679           | 1           | Ring-Retaining, Internal               | 94          | 120-5540           | 1           | Shaft-Axle                |
| 40          | 104-5304           | 1           | Swashplate-Trunnion                    | 95          | 120-5541           | 1           | Bearing-Sleeve            |
| 42          | 104-2116           | 1           | Stud                                   | 100         | 106-8694           | 1           | Disc-Brake, Cog           |
| 43          | 112-9853           | 1           | Puck-Friction                          | 110         | 106-8677           | 1           | Ring-Retaining, External  |
| 50          | 133-1793           | 1           | Spring-Block                           | 130         | 103-2666           | 1           | Cylinder Block Kit        |
| 51          | 120-5538           | 1           | Washer                                 | 131         | 110-8561           | 1           | Pump Block ASM            |
| 52          | 104-5306           | 1           | Shaft-Input                            | 132         | 117-5362           | 1           | Control Arm Kit           |
| 53          | 104-5311           | 1           | Bearing-Ball                           | 133         | 106-8688           | 1           | Brake Arm Kit             |
| 54          | 104-5307           | 1           | Ring-Retaining                         | 134         | 112-9861           | 1           | Center Section Filter Kit |
| 55          | 104-5308           | 1           | Spacer                                 | 135         | 114-1634           | 1           | Filter Kit                |
| 56          | 104-5310           | 1           | Seal-Lip                               | 136         | 121-5730           | 1           | RH Expansion Tank Kit     |
| 57          | 104-5309           | 1           | Ring-Retaining                         | 137         | 120-5549           | 1           | Bypass Kit                |
| 58          | 104-2147           | 1           | Sealant, Silicone -<br>Non-Flammable   | 138         | 121-5731           | 1           | Hub Kit                   |
| 60          | 94-6922            | 2           | Bearing-Thrust                         | 139         | 135-7349           | 1           | Fan And Pulley Kit        |
| 70          | 104-5339           | 1           | Washer-Flat                            | 150         | 104-5349           | 1           | Fitting-SAE               |
| 71          | 104-5340           | 1           | Ring-Retaining                         | 151         | 115-8302           | 1           | Hose                      |
| 72          | 104-5316           | 1           | Gear-Pinnion, 13T                      | 152         | 104-5361           | 1           | O-Ring                    |
| 73          | 106-8683           | 1           | Shaft-Motor                            | 159         | 121-5728           | 1           | Case-Tube                 |
| 74          | 104-5360           | 1           | Washer                                 | 160         | 125-0041           | 1           | Cap-Axle                  |
|             |                    |             |  | 162         | 139-3278           | 1           | Breather ASM Kit          |
|             |                    |             |  | 163         | 120-7103           | 1           | Seal And Ring Kit         |

● Not illustrated

# RH Hydro Transmission Assembly No. 139-7451



- |     |  |
|-----|--|
| 163 | 10, 31, 33, 54, 56, 57, 71, 96, 152, 157 |
|-----|--|

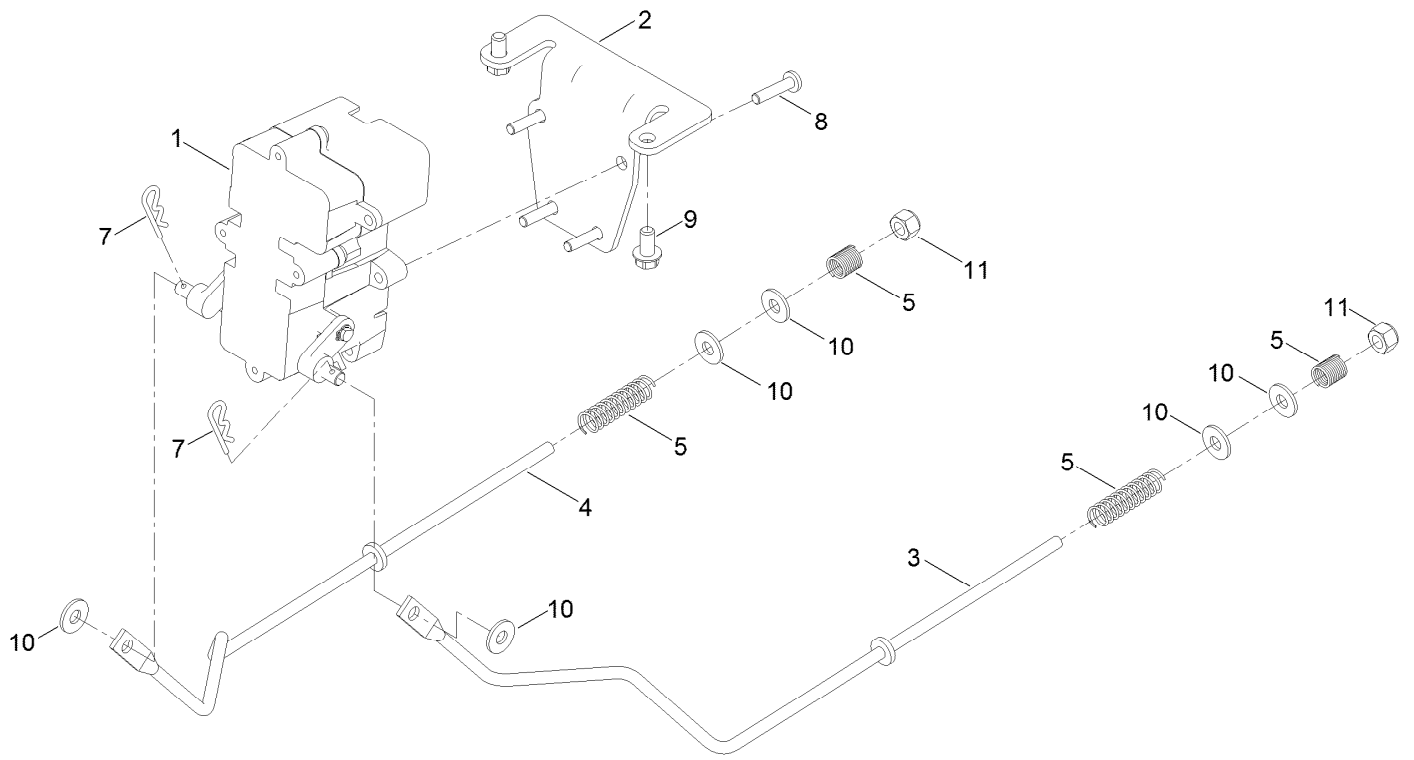


# RH Hydro Transmission Assembly No. 139-7451 (continued)

| <i>Ref.</i> | <i>Part Number</i> | <i>Qty.</i> | <i>Description</i>                     | <i>Ref.</i> | <i>Part Number</i> | <i>Qty.</i> | <i>Description</i>        |
|-------------|--------------------|-------------|--|-------------|--------------------|-------------|---------------------------|
| 1           | 120-5531           | 1           | Main Housing ASM                       | 80          | 119-5541           | 1           | *obs* Washer              |
| 2           | 120-5533           | 1           | Housing Side Kit                       | 81          | 104-5317           | 1           | Gear-10T/48T              |
| 5           | 104-2189           | 1           | Plug-Thread, Straight                  | 82          | 104-5318           | 1           | Gear-Jackshaft, 10T       |
| 7           | 117-5359           | 16          | Screw-HHF                              | 83          | 104-5329           | 1           | Pin-Jackshaft             |
| 10          | 104-2147           | 1           | Sealant, Silicone -<br>Non-Flammable ● | 91          | 120-5539           | 1           | Gear-Bull                 |
| 31          | 106-8677           | 2           | Ring-Retaining, External               | 92          | 104-2142           | 1           | Nut-HJ                    |
| 32          | 106-8678           | 1           | Rod-Bypass                             | 93          | 115-8314           | 1           | Bushing-Inboard           |
| 33          | 106-8679           | 1           | Ring-Retaining, Internal               | 94          | 120-5540           | 1           | Shaft-Axle                |
| 40          | 104-5304           | 1           | Swashplate-Trunnion                    | 95          | 120-5541           | 1           | Bearing-Sleeve            |
| 42          | 104-2116           | 1           | Stud                                   | 100         | 106-8694           | 1           | Disc-Brake, Cog           |
| 43          | 112-9853           | 1           | Puck-Friction                          | 110         | 106-8677           | 1           | Ring-Retaining, External  |
| 51          | 133-1793           | 1           | Spring-Block                           | 130         | 103-2666           | 1           | Cylinder Block Kit        |
| 51          | 120-5538           | 1           | Washer                                 | 131         | 110-8561           | 1           | Pump Block ASM            |
| 52          | 104-5306           | 1           | Shaft-Input                            | 132         | 117-5362           | 1           | Control Arm Kit           |
| 53          | 104-5311           | 1           | Bearing-Ball                           | 133         | 106-8688           | 1           | Brake Arm Kit             |
| 54          | 104-5307           | 1           | Ring-Retaining                         | 134         | 112-9862           | 1           | Center Section Filter Kit |
| 55          | 104-5308           | 1           | Spacer                                 | 135         | 114-1634           | 1           | Filter Kit                |
| 56          | 104-5310           | 1           | Seal-Lip                               | 136         | 121-5735           | 1           | LH Expansion Tank Kit     |
| 57          | 104-5309           | 1           | Ring-Retaining                         | 137         | 107-2489           | 1           | Bypass Arm Kit            |
| 58          | 104-2147           | 1           | Sealant, Silicone -<br>Non-Flammable   | 138         | 121-5731           | 1           | Hub Kit                   |
| 60          | 94-6922            | 2           | Bearing-Thrust                         | 139         | 135-7349           | 1           | Fan And Pulley Kit        |
| 70          | 104-5339           | 1           | Washer-Flat                            | 150         | 104-5349           | 1           | Fitting-SAE               |
| 71          | 104-5340           | 1           | Ring-Retaining                         | 151         | 115-8302           | 1           | Hose                      |
| 72          | 104-5316           | 1           | Gear-Pinnion, 13T                      | 152         | 104-5361           | 1           | O-Ring                    |
| 73          | 106-8683           | 1           | Shaft-Motor                            | 159         | 121-5728           | 1           | Case-Tube                 |
| 74          | 104-5360           | 1           | Washer                                 | 160         | 125-0041           | 1           | Cap-Axle                  |
|             |                    |             |  | 162         | 139-3278           | 1           | Breather ASM Kit          |
|             |                    |             |  | 163         | 120-7103           | 1           | Seal And Ring Kit         |

● Not illustrated

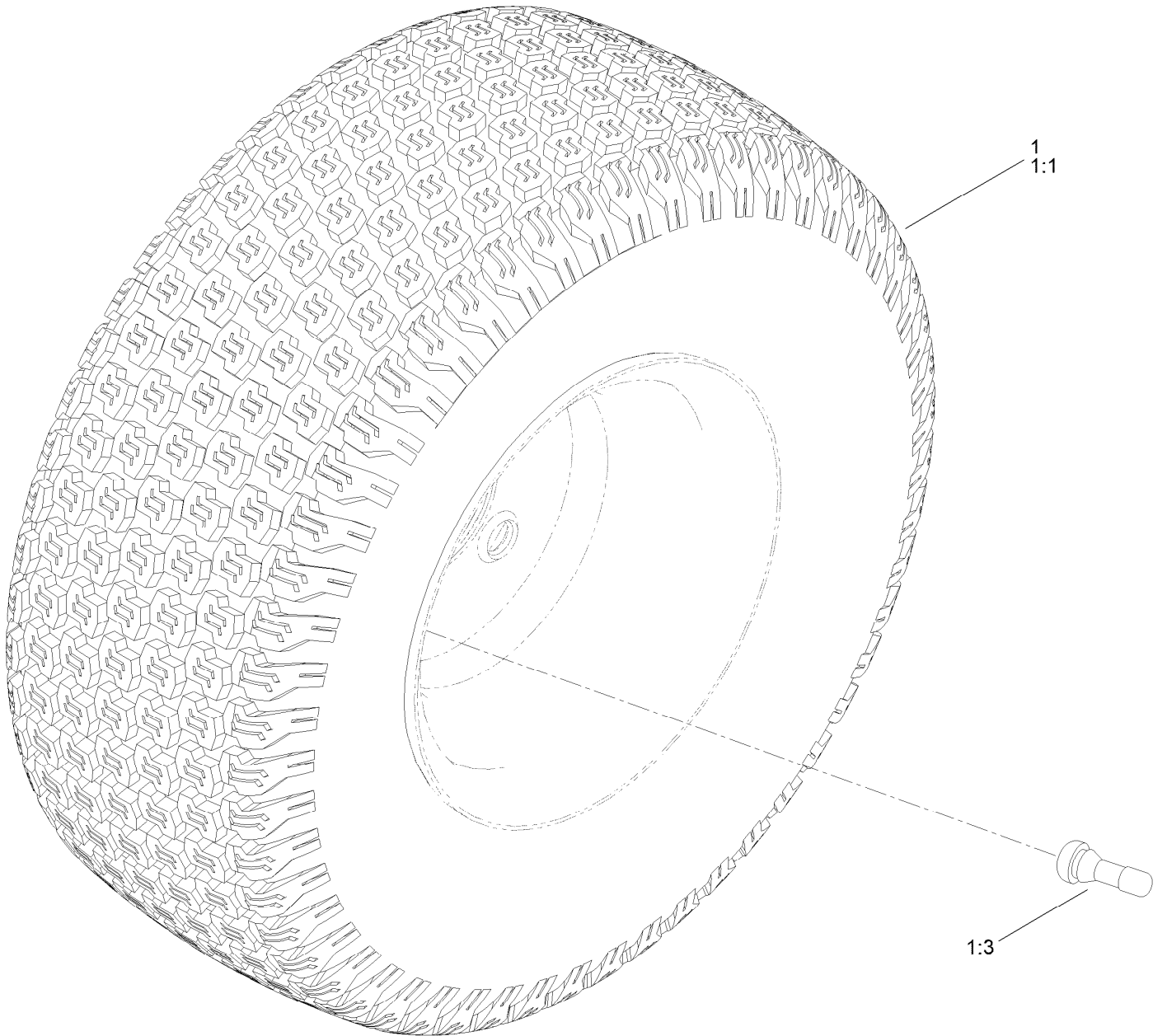
# Brake Assembly



## Brake Assembly (continued)

| <i>Ref.</i> | <i>Part Number</i> | <i>Qty.</i> | <i>Description</i>   | <i>Ref.</i> | <i>Part Number</i> | <i>Qty.</i> | <i>Description</i> |
|-------------|--------------------|-------------|----------------------|-------------|--------------------|-------------|--------------------|
| 1           | 138-2514           | 1           | Brake Box ASM        | 7           | 3290-307           | 2           | Pin-Cotter         |
| 2           | 133-9284-03        | 1           | Bracket-Mount, Brake | 8           | 32144-36           | 4           | Screw-PPH          |
| 3           | 138-2591           | 1           | Rod-Brake, LH        | 9           | 32144-4            | 2           | Screw-HWH          |
| 4           | 138-2592           | 1           | Rod-Brake, RH        | 10          | 119-8952           | 6           | Washer-Spcl        |
| 5           | 117-1169           | 4           | Spring-Compression   | 11          | 3296-42            | 2           | Nut-Lock, NI       |

# Rear Tire Assembly

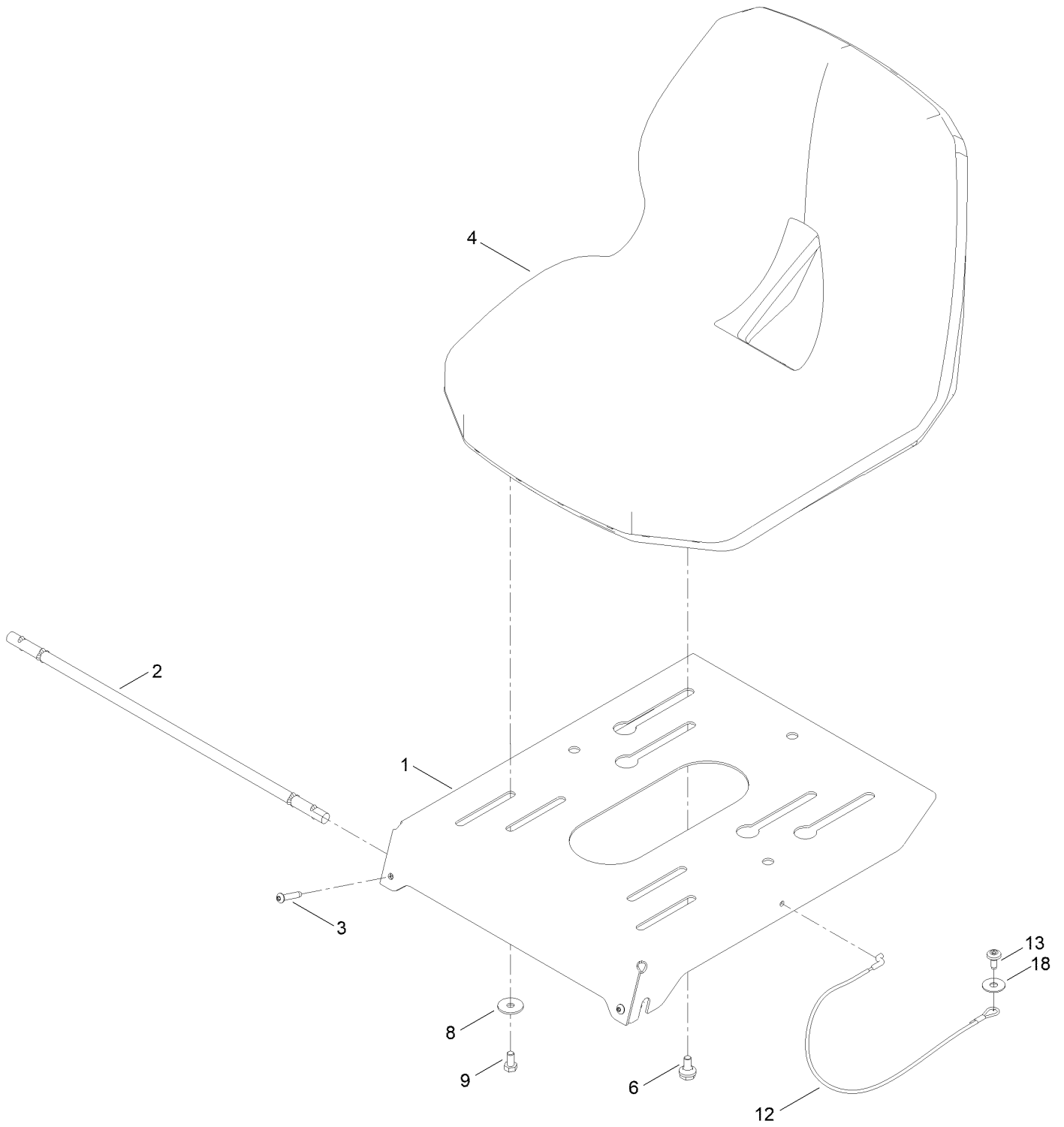


## Rear Tire Assembly (continued)

| <i>Ref.</i> | <i>Part Number</i> | <i>Qty.</i> | <i>Description</i> | <i>Ref.</i> | <i>Part Number</i> | <i>Qty.</i> | <i>Description</i> |
|-------------|--------------------|-------------|--------------------|-------------|--------------------|-------------|--------------------|
| 1           | 139-5846           | 2           | Tire ASM           | 1:3         | 232-27             | 1           | Stem-Valve         |
| 1:1         | 140-2729           | 1           | Tire               | 1:99        | 107-2491           | 1           | Tube-Tire ●        |

● Not illustrated

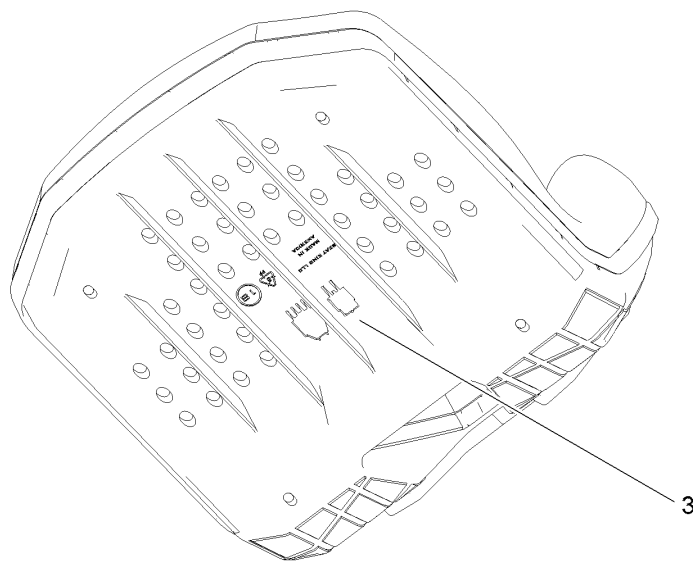
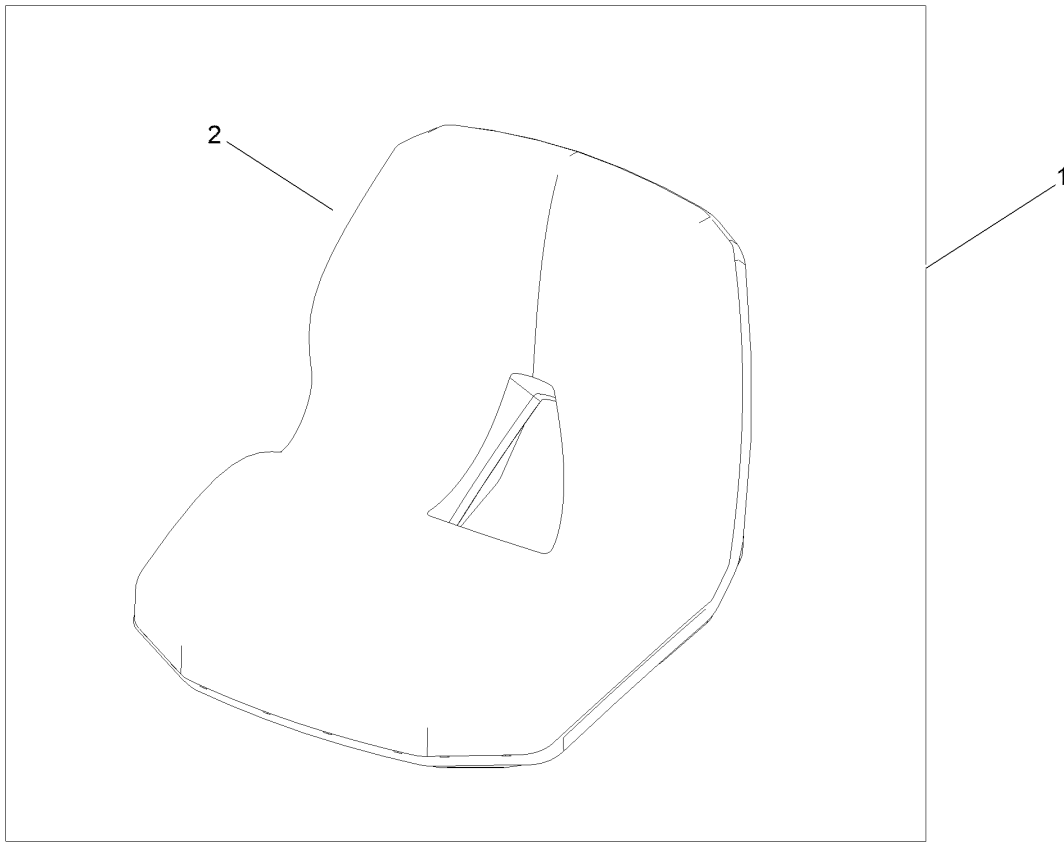
# Seat Pan Assembly



## Seat Pan Assembly (continued)

| <i>Ref.</i> | <i>Part Number</i> | <i>Qty.</i> | <i>Description</i> | <i>Ref.</i> | <i>Part Number</i> | <i>Qty.</i> | <i>Description</i> |
|-------------|--------------------|-------------|--------------------|-------------|--------------------|-------------|--------------------|
| 1           | 138-9781-03        | 1           | Pan-Seat           | 8           | 5-4460             | 2           | Washer-Pivot       |
| 2           | 138-7555           | 1           | Rod-Pivot          | 9           | 322-2              | 2           | Screw-HH           |
| 3           | 108-0035           | 2           | Screw              | 12          | 139-2398           | 1           | Cable-Lanyard      |
| 4           | 147-5157           | 1           | Seat-16 In         | 13          | 120-7950           | 1           | Screw-Torx         |
| 6           | 37-8771            | 2           | Bolt-Shoulder, HF  | 18          | 147-5287           | 1           | Washer-Flat        |

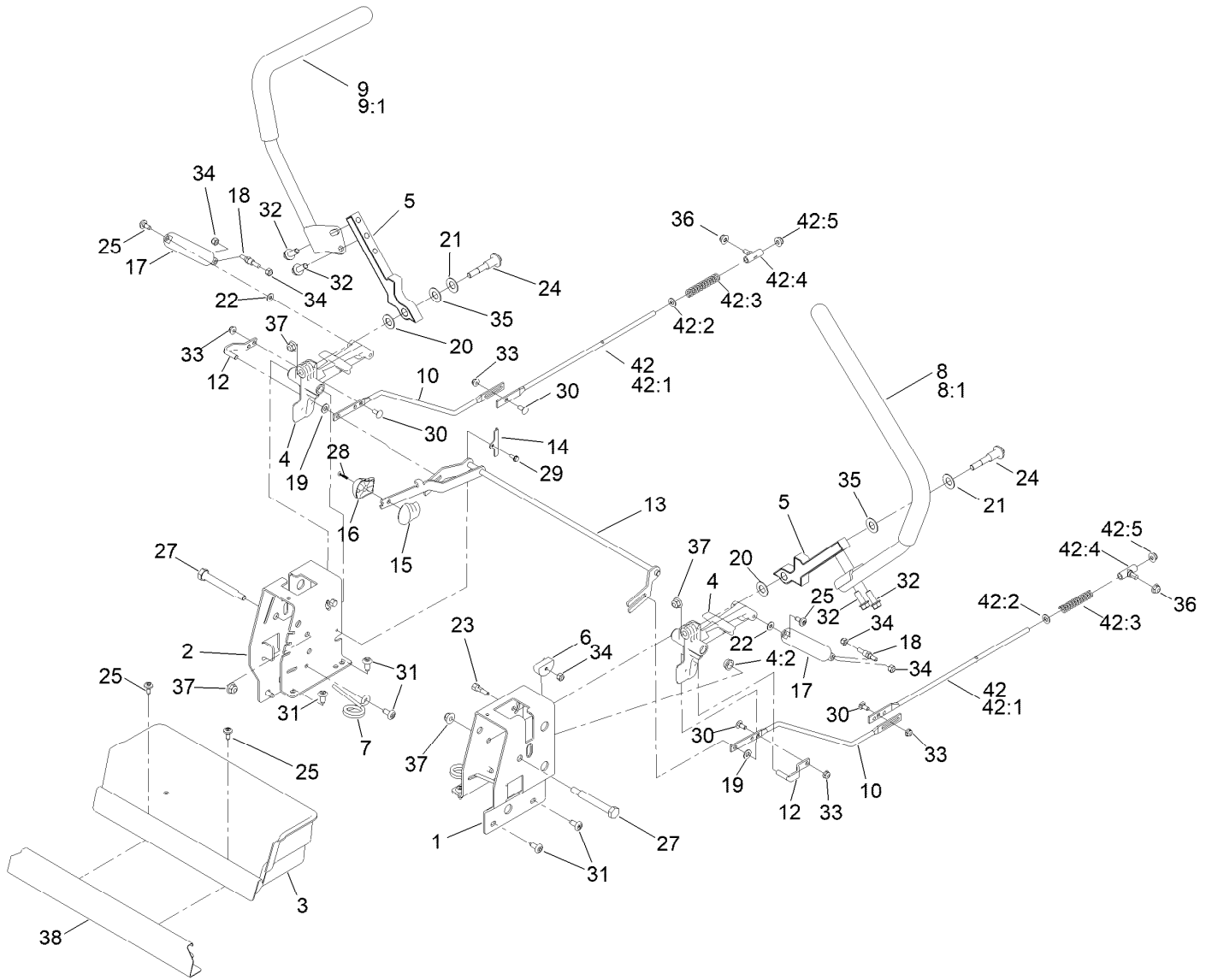
# Seat Assembly No. 147-5157



## Seat Assembly No. 147-5157 (continued)

| <i>Ref.</i> | <i>Part Number</i> | <i>Qty.</i> | <i>Description</i> |
|-------------|--------------------|-------------|--------------------|
| 1           | 139-5891           | 1           | Seat-16 In         |
| 2           | 147-2983           | 1           | Cover-Seat         |
| 3           | 82-2190            | 1           | Switch-Bail        |

# Motion Control Assembly

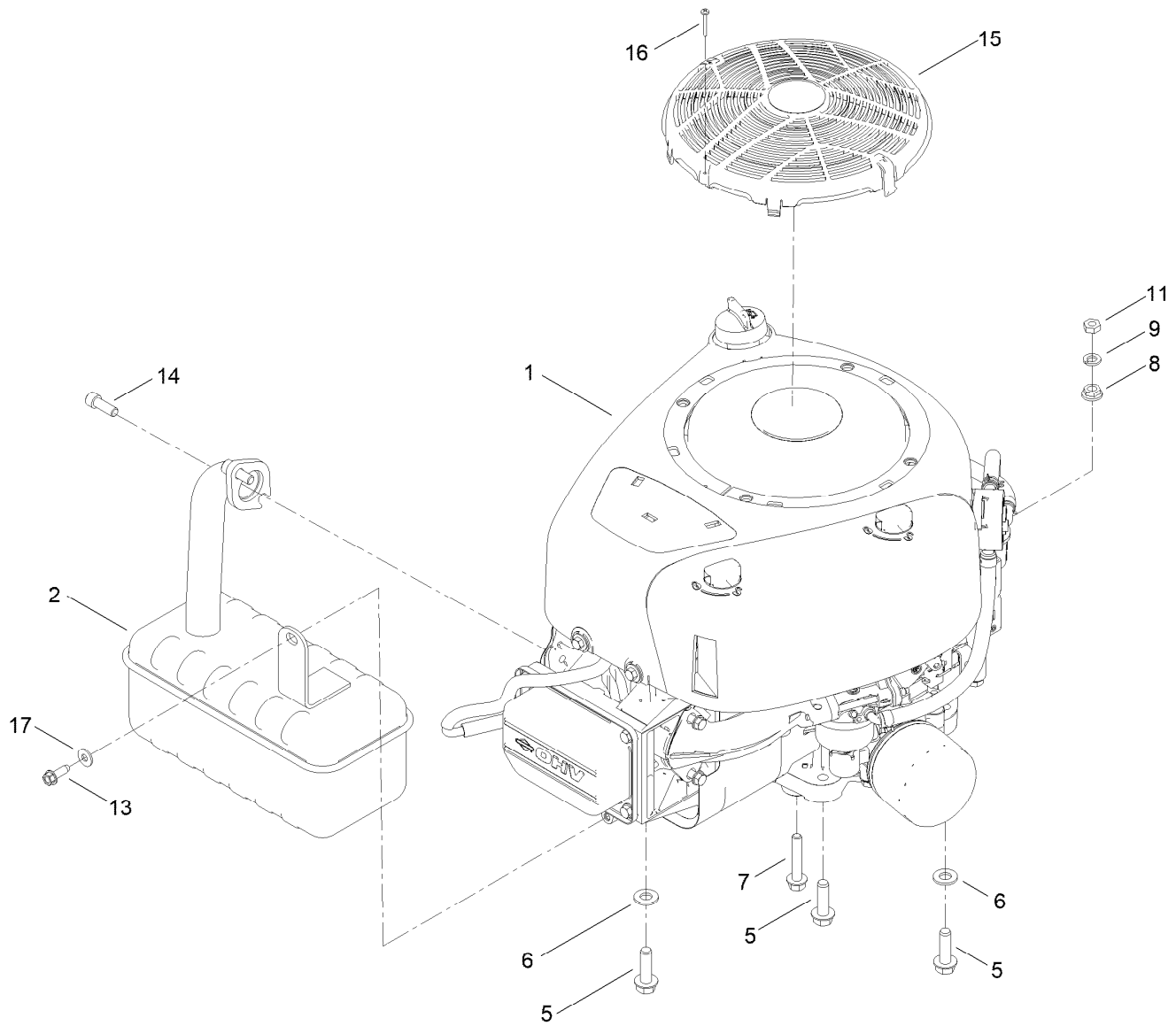


## Motion Control Assembly (continued)

| <i>Ref.</i> | <i>Part Number</i> | <i>Qty.</i> | <i>Description</i>    | <i>Ref.</i> | <i>Part Number</i> | <i>Qty.</i> | <i>Description</i>    |
|-------------|--------------------|-------------|-----------------------|-------------|--------------------|-------------|-----------------------|
| 1           | 138-7598-03        | 1           | Plate-Control Box, LH | 22          | 119-8952           | 2           | Washer-Spcl           |
| 2           | 138-7599-03        | 1           | Plate-Control Box, RH | 23          | 139-5811           | 2           | Bolt-Pivot, Eccentric |
| 3           | 139-3279           | 1           | Box-Storage           | 24          | 117-1198           | 2           | Bolt-Pivot            |
| 4           | 119-3470           | 2           | Actuator Arm ASM      | 25          | 120-7950           | 4           | Screw-Torx            |
| 4:2         | 256-156            | 2           | Bushing-Flange        | 27          | 115-5099           | 2           | Bolt-Pivot            |
| 5           | 133-9299-05        | 2           | Arm-Control           | 28          | 94-4496            | 1           | Screw-PPH             |
| 6           | 139-5803           | 2           | Eccentric             | 29          | 32144-1            | 2           | Screw-Taptite         |
| 7           | 138-7539           | 2           | Spring-Torsion        | 30          | 3229-11            | 4           | Screw-CARR            |
| 8           | 133-7055           | 1           | Handle-Control, LH    | 31          | 138-9753           | 10          | Screw                 |
| 8:1         | 121-0726           | 1           | Grip                  | 32          | 3234-42            | 4           | Screw-HHF             |
| 9           | 133-7057           | 1           | Handle-Control, RH    | 33          | 104-7201           | 4           | Nut-HF, NI            |
| 9:1         | 121-0726           | 1           | Grip                  | 34          | 3296-42            | 6           | Nut-Lock, NI          |
| 10          | 138-2580           | 2           | Rod-Hydro, Front      | 35          | 117-1240           | 2           | Washer                |
| 12          | 121-1753           | 2           | Pin-Rod, Hydro        | 36          | 119-4041           | 2           | Nut-HF                |
| 13          | 138-9750           | 1           | Speed Control ASM     | 37          | 104-8301           | 4           | Nut-HF, NI            |
| 14          | 138-7541           | 2           | Plate-Retainer        | 38          | 139-3280-01        | 1           | Plate-Kick            |
| 15          | 132-9368           | 1           | Knob-RH               | 42          |                    | 2           | Rod Hydro ASM ●       |
| 16          | 132-9369           | 1           | Knob-LH               | 42:1        | 144-1818           | 1           | Rod-Hydro, Rear       |
| 17          | 132-6853           | 2           | Damper-Non Cavitating | 42:2        | 120-9683           | 1           | Washer-Plain          |
| 18          | 138-7215           | 2           | Stud-Damper           | 42:3        | 138-7252           | 1           | Spring-Compression    |
| 19          | 93-6079            | 2           | Spacer-Nylon          | 42:4        | 138-7218           | 1           | Mount-Rod, Hydro      |
| 20          | 120-2273           | 2           | Washer-Flat           | 42:5        | 119-4041           | 1           | Nut-HF                |
| 21          | 119-8925           | 2           | Washer-Belleville     |             |                    |             |                       |

● Not serviced separately

# Engine and Muffler Assembly



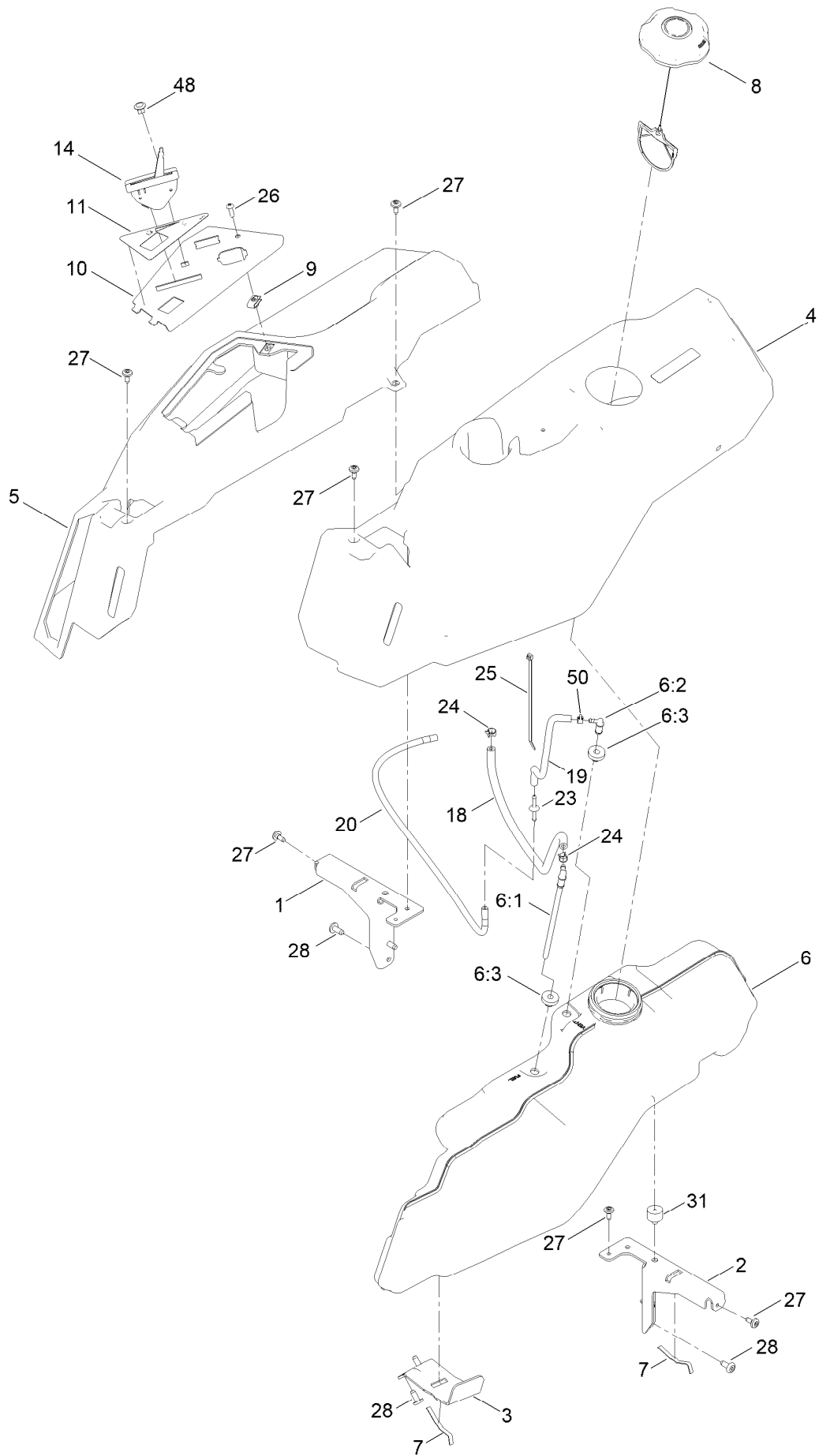
## Engine and Muffler Assembly (continued)

| <i>Ref.</i> | <i>Part Number</i> | <i>Qty.</i> | <i>Description</i>                       | <i>Ref.</i> | <i>Part Number</i> | <i>Qty.</i> | <i>Description</i> |
|-------------|--------------------|-------------|--|-------------|--------------------|-------------|--------------------|
| 1           |                    | 1           | Engine-Briggs & Stratton Professional ●■ | 9           | 3253-4             | 1           | Washer-Lock        |
| 2           | 145-4614           | 1           | Muffler                                  | 11          | 120-9638           | 1           | Nut-Jam            |
| 5           | 32144-109          | 3           | Screw-Thd                                | 13          | 49-2040            | 1           | Screw-HWHTF        |
| 6           | 3256-24            | 2           | Washer-Plain                             | 14          | 120-3227           | 2           | Screw-HSH          |
| 7           | 94-5780            | 1           | Screw-HWH                                | 15          | 145-4669           | 1           | Cover-Fan          |
| 8           | 137-3039           | 1           | Nut-HF                                   | 16          | 145-4670           | 1           | Screw-Fan          |
|             |                    |             |  | 17          | 119-8952           | 1           | Washer-Spcl        |

● Not serviced separately

■ Obtain parts from [www.briggsandstratton.com](http://www.briggsandstratton.com)

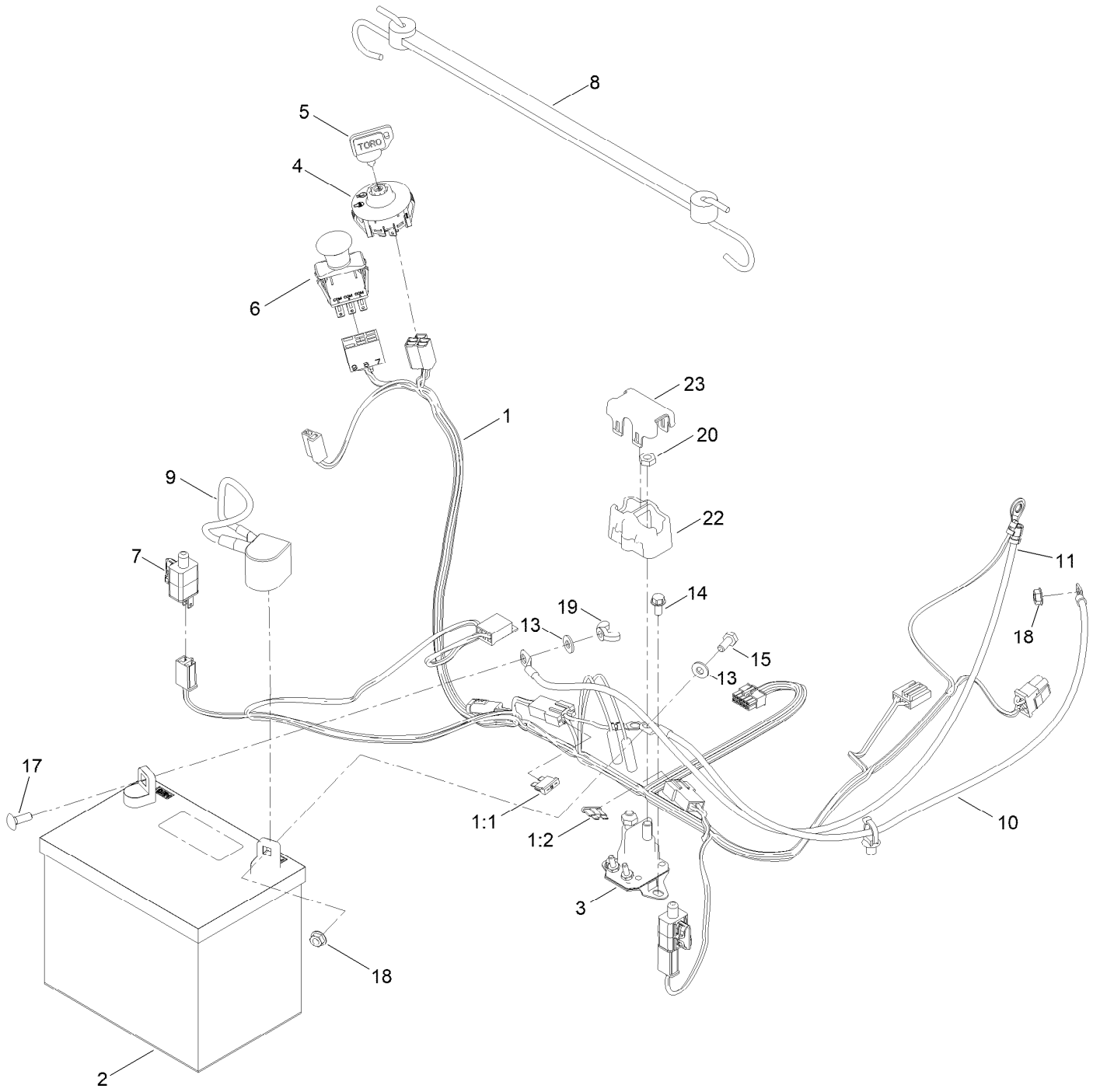
# Fuel and Body Styling Assembly



## Fuel and Body Styling Assembly (continued)

| <i>Ref.</i> | <i>Part Number</i> | <i>Qty.</i> | <i>Description</i>      | <i>Ref.</i> | <i>Part Number</i> | <i>Qty.</i> | <i>Description</i>       |
|-------------|--------------------|-------------|-------------------------|-------------|--------------------|-------------|--------------------------|
| 1           | 138-6070-03        | 1           | Support-Pod, RH         | 14          | 145-4666           | 1           | Cable-Throttle And Choke |
| 2           | 138-6071-03        | 1           | Support-Pod, LH         | 18          | 110-4103           | 1           | Hose-Fuel                |
| 3           | 139-3271-03        | 1           | Support-Tank, Fuel      | 19          | 136-6345           | 1           | Hose-Fuel                |
| 4           | 138-6074           | 1           | Pod-LH                  | 20          | 138-3152           | 1           | Hose-Fuel                |
| 5           | 138-6075           | 1           | Pod-RH                  | 23          | 144-1983           | 1           | Adapter Orifice          |
| 6           | 144-5304           | 1           | Tank-Fuel ASM           | 24          | 2412-98            | 2           | Clamp-Hose               |
| 6:1         | 139-1091           | 1           | Connector-Elbow, 90 DEG | 25          | 614249             | 1           | Tie-Cable                |
| 6:2         | 144-5302           | 1           | Fitting-Elbow 90        | 26          | 3258-166           | 1           | Screw-PRH                |
| 6:3         | 46-6560            | 2           | Bushing                 | 27          | 120-7950           | 6           | Screw-Torx               |
| 7           | 609830             | 2           | Spring                  | 28          | 138-9753           | 6           | Screw                    |
| 8           | 137-4119           | 1           | Cap-Fuel, Ratcheting    | 31          | 120-7893           | 1           | Bumper-Grommet           |
| 9           | 107069             | 1           | Clip                    | 48          | 140-2750           | 1           | Plug-Dash                |
| 10          | 139-2380-03        | 1           | Panel - Control         | 50          | 2412-80            | 1           | Clamp-Hose               |
| 11          | 140-2716           | 1           | Decal-Panel Control     |             |                    |             |                          |

# Electrical Assembly

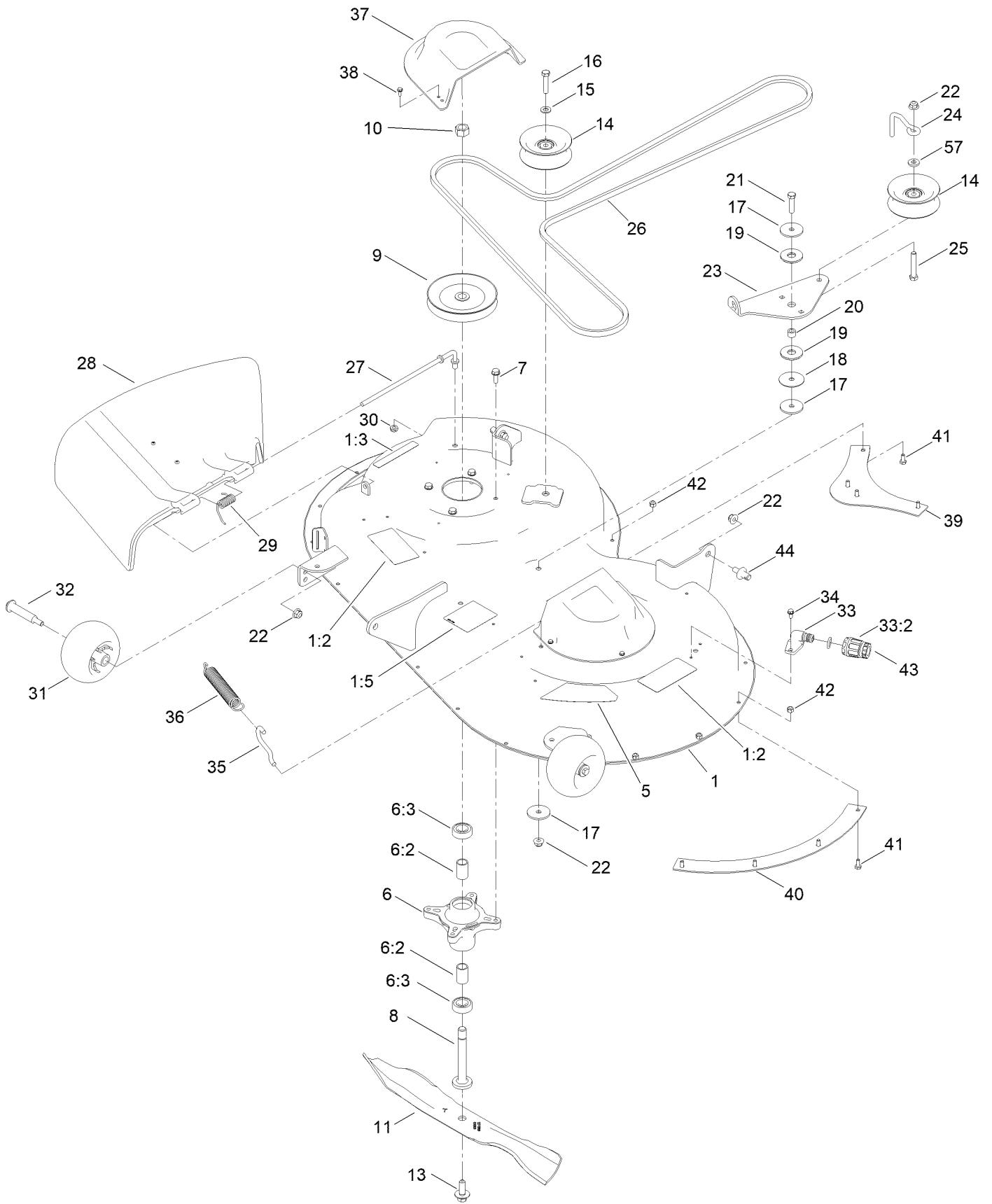


## Electrical Assembly (continued)

| <i>Ref.</i> | <i>Part Number</i> | <i>Qty.</i> | <i>Description</i>           | <i>Ref.</i> | <i>Part Number</i> | <i>Qty.</i> | <i>Description</i>   |
|-------------|--------------------|-------------|------------------------------|-------------|--------------------|-------------|----------------------|
| 1           | 138-2521           | 1           | Harness-Wire                 | 11          | 121-5726           | 1           | Cable-Battery, Black |
| 1:1         | 109355             | 1           | Fuse-Blade, 15 Amp ●         | 13          | 3256-22            | 2           | Washer-Flat          |
| 1:2         | 109102             | 1           | Fuse-Blade, 25 Amp ●         | 14          | 32144-4            | 2           | Screw-HWH            |
| 2           | 105-1692           | 1           | Battery- Dry, 12V, 230 CCA   | 15          | 321-3              | 1           | Screw-HH             |
| 3           | 117-1197           | 1           | Solenoid                     | 17          | 3229-1             | 1           | Screw-CARR           |
| 4           | 137-4100           | 1           | Switch-Ignition              | 18          | 32128-33           | 2           | Nut-HF               |
| 5           | 63-8360            | 1           | Key-Ignition                 | 19          | 32103-22           | 1           | Nut-Wing             |
| 6           | 103-5221           | 1           | Switch-PTO                   | 20          | 3220-2             | 2           | Nut-Hex Jam          |
| 7           | 110-6765           | 2           | Switch                       | 22          | 140-2080           | 1           | Cover-Solenoid       |
| 8           | 139-2381           | 1           | Strap-Rubber                 | 23          | 140-2081           | 1           | Cap-Solenoid         |
| 9           | 140-2713           | 1           | Cable-Battery, Pos           |             |                    |             |                      |
| 10          | 139-2431           | 1           | Cable-Battery, Red (8 Gauge) |             |                    |             |                      |

● Not illustrated

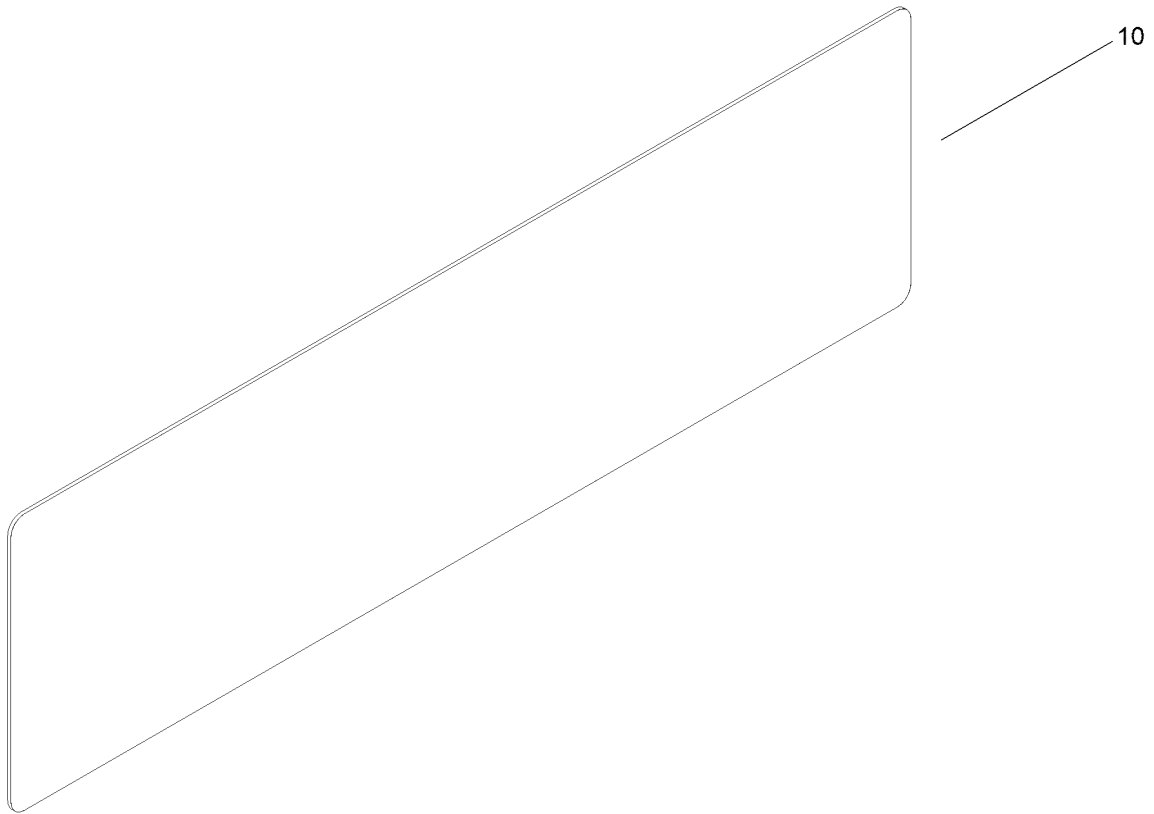
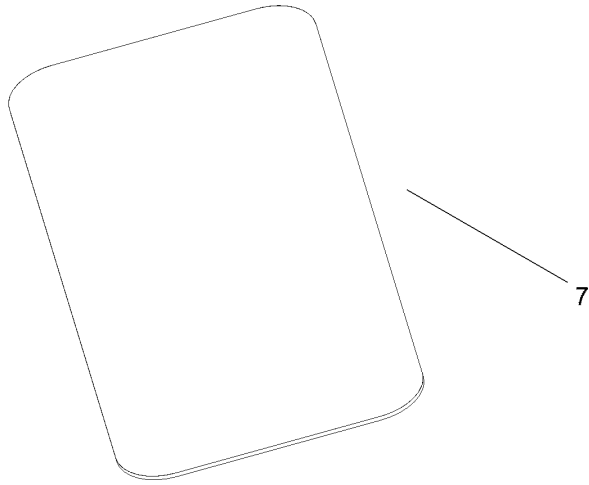
# 42in Deck and Decal Assembly



## 42in Deck and Decal Assembly (continued)

| <i>Ref.</i> | <i>Part Number</i> | <i>Qty.</i> | <i>Description</i>            | <i>Ref.</i> | <i>Part Number</i> | <i>Qty.</i> | <i>Description</i>   |
|-------------|--------------------|-------------|-------------------------------|-------------|--------------------|-------------|----------------------|
| 1           | 138-9761           | 1           | 42 Inch Deck And Decal<br>ASM | 23          | 138-7262           | 1           | Arm-Idler (Mty/Wdm)  |
| 1:2         | 132-0872           | 2           | Decal-Danger, Deck            | 24          | 138-7270           | 1           | Guide-Belt, Idler    |
| 1:3         | 130-0731           | 1           | Decal-Danger                  | 25          | 323-11             | 1           | Screw-HH             |
| 1:5         | 105-7015           | 1           | Decal-Routing, Belt           | 26          | 147-2924           | 1           | V-Belt               |
| 5           | 117-1222           | 1           | Decal                         | 27          | 137-2019           | 1           | Rod-Pivot            |
| 6           | 139-3214           | 2           | Spindle ASM                   | 28          | 137-7046           | 1           | Deflector            |
| 6:2         | 120-7935           | 2           | Spacer                        | 29          | 138-7268           | 1           | Spring-Torsion       |
| 6:3         | 138-9770           | 2           | Bearing-Ball                  | 30          | 3296-59            | 1           | Nut-Lock, NI         |
| 7           | 32144-41           | 8           | Screw-Taptite                 | 31          | 1-603299           | 2           | Roller-Scalp, Anti   |
| 8           | 117-7268           | 2           | Shaft-Spindle                 | 32          | 112-3977           | 2           | Bolt-Shoulder        |
| 9           | 139-2433           | 2           | Pulley                        | 33          | 133-9289           | 1           | Fitting-Washout      |
| 10          | 3219-6             | 2           | Nut-Hex                       | 33:2        | 133-9290           | 1           | O-Ring               |
| 11          | 137-1999-03        | 2           | Blade                         | 34          | 32144-4            | 2           | Screw-HWH            |
| 13          | 145-0411           | 2           | Bolt-Blade, Sems              | 35          | 138-7267           | 1           | Hook-Spring, Return  |
| 14          | 132-9420           | 2           | Pulley-Idler, Flat            | 36          | 138-7265           | 1           | Spring Extension     |
| 15          | 3256-24            | 1           | Washer-Plain                  | 37          | 108-7889           | 2           | Cover-Belt           |
| 16          | 323-9              | 1           | Screw-HH                      | 38          | 32144-1            | 6           | Screw-Taptite        |
| 17          | 63-7400            | 3           | Washer-Rebound                | 39          | 137-2036-03        | 1           | Baffle-Blowout, Rear |
| 18          | 120-2229           | 1           | Washer                        | 40          | 137-2037-03        | 1           | Baffle-Blowout, Side |
| 19          | 114-0463           | 2           | Washer-Friction, Composite    | 41          | 321-3              | 8           | Screw-HH             |
| 20          | 115-4986           | 1           | Spacer                        | 42          | 3296-42            | 8           | Nut-Lock, NI         |
| 21          | 323-8              | 1           | Screw-HH                      | 43          | 95-3270            | 1           | Connector-Hose       |
| 22          | 104-8301           | 6           | Nut-HF, NI                    | 44          | 139-5871           | 2           | Pin-Deck             |
|             |                    |             |                               | 57          | 138-7207           | 1           | Spacer-Hub, Blower   |

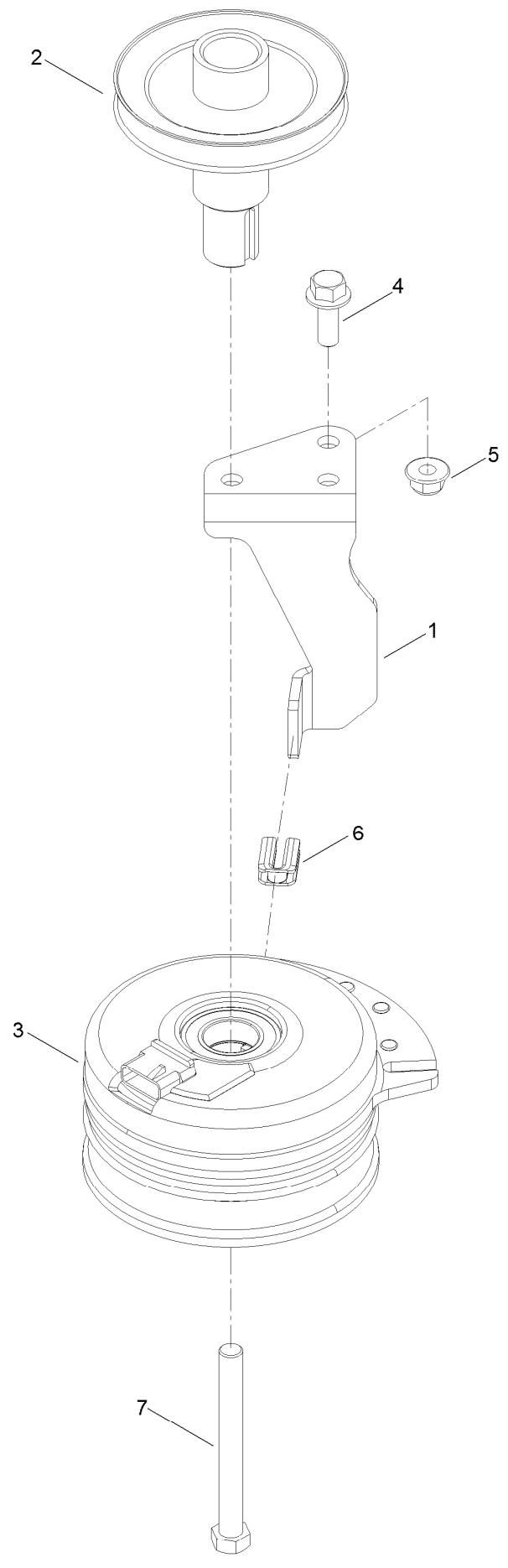
# Decal Assembly



## Decal Assembly (continued)

| <i>Ref.</i> | <i>Part Number</i> | <i>Qty.</i> | <i>Description</i> |
|-------------|--------------------|-------------|--------------------|
| 7           | 132-0905           | 1           | Decal-Shutdown, CE |
| 10          | 140-2099           | 1           | Decal              |

# Clutch Assembly



## Clutch Assembly (continued)

| <i>Ref.</i> | <i>Part Number</i> | <i>Qty.</i> | <i>Description</i>   | <i>Ref.</i> | <i>Part Number</i> | <i>Qty.</i> | <i>Description</i> |
|-------------|--------------------|-------------|----------------------|-------------|--------------------|-------------|--------------------|
| 1           | 138-7275           | 1           | Stop-Clutch (Narrow) | 5           | 104-8301           | 1           | Nut-HF, NI         |
| 2           | 138-9792           | 1           | Pulley-Engine        | 6           | 120-2217           | 1           | Isolator-Clutch    |
| 3           | 117-7468           | 1           | Clutch-Electric      | 7           | 3212-16            | 1           | Screw-HH           |
| 4           | 3234-42            | 1           | Screw-HHF            |             |                    |             |                    |

# Attachments and Accessories

## For 75748 — TimeCutter 42in Riding Mower

| <b>Product Name</b>   | <b>Model/Part</b> |
|---|-------------------|
| Hourmeter Kit .....   | 116-5461          |
| Seat Cover W/O Arm Rest - TC 18in.....  | 117-0096          |
| Jack Kit.....   | 127-6666          |
| Fuel Stabilizer .05 oz .....  | 130-2393          |
| 4-Cycle Fuel, Snow And Lawn 32oz Can .....                                      | 131-3823          |
| Toro Premium Fuel Treatment 12oz Bottle.....                                    | 131-6572          |
| Replacement Blade Kit .....   | 137-1999-03P      |
| 42in Recycler Kit.....  | 137-7042          |
| Bagging Enhancement Kit .....   | 137-7048          |
| Front Weight Kit.....   | 140-2050          |
| Assist Bar Kit .....  | 140-2052          |
| LED Light Kit.....  | 140-2056          |
| Deluxe Seat Kit.....  | 140-2057          |
| Armrest Kit.....  | 140-2058          |
| Deck Footlift Assist Kit .....  | 140-2059          |
| Floormat Kit .....  | 140-2060          |
| Jack Mount Kit .....  | 140-2711          |
| Striping Kit, 42in and Riding Mowers .....                                      | 140-5198          |
| Caster Wheel Kit.....   | 145-0475          |
| 10W30 4-Cycle Engine Oil (32oz Bottle).....                                     | 38280             |
| Toro 4-Cycle SAE 30 Oil (32oz Bottle) .....                                     | 38903             |
| Storage Cover .....   | 490-7516          |
| Mower Deck Drive Belt, TimeCutter SS Riding Mower with 42-inch Mowing Deck..... | 79004             |
| Twin Bagger, Timecutter 42in Stamped .....                                      | 79410             |
| ROPS Kit .....  | 79485             |
| Slope Sensor Kit.....   | 79486             |

**Notes:**



**Count on it.**