



53cm Heavy-Duty Recycler[®]/Rear Bagging Lawnmower

Model No. 22177TE - 240000001 and up.

Parts Catalog

Ordering Replacement Parts

To order replacement parts, please supply the part number, the quantity, and the description of each part desired.

Understanding Reference Numbers

Each Identified part in an illustration has a reference number. The reference number for a part also appears in the parts list, along with other information about the part.

This catalog uses two special reference number formats, one to indicate parts in a service assembly and another to indicate the quantity of a given part in an illustration.

Service Assembly Reference Numbers

Parts in service assemblies have reference numbers in the form a:b. The a represents the reference number of the entire service assembly and the b represents a sequential number unique to each part within the service assembly.

For example, a wheel assembly might be identified by reference number 6, the tire by 6:1, the valve by 6:2, and the wheel by 6:3. When you order the assembly identified by reference number 6, you receive all parts identified by reference numbers 6:1, 6:2, and 6:3. However, you may also order any part individually. Reference numbers of this type appear in illustrations and in part lists.

Reference Numbers Indicating Quantity

In an illustration, if a reference number indicates more than one part, the reference number has the form nX y. The n represents the quantity of the part, the X is the multiplication symbol, and the y represents the reference number.

For example, in an illustration, the reference number 2X 37 means that two of the parts identified by reference number 37 are indicated.

Contents

Description	Page	Description	Page
Deck, Chute and Wheel Assembly 3	Valve and Camshaft Assembly Kawasaki	
Housing Assembly No. 98-7144 4	FJ180V-AS57 16
Wheel and Tire Assembly Part No. 53-7720 5	Lubrication Equipment Assembly Kawasaki	
Gear Case Assembly No. 74-1861 6	FJ180V-AS57 17
Engine and Blade Assembly 7	Cooling Equipment Assembly Kawasaki	
Fuel Line and Tank Assembly 8	FJ180V-AS57 18
Handle Assembly 9	Electric Equipment Assembly Kawasaki	
Control Panel Assembly 10	FJ180V-AS57 19
Rear Drive and Wheel Assembly 11	Control Equipment Assembly Kawasaki	
Rear Wheel Assembly No. 74-1720 12	FJ180V-AS57 20
Grass Bag Assembly No. 106-0975 13	Carburetor Assembly Kawasaki FJ180V-AS57 21
Cylinder and Crankcase Assembly Kawasaki		Air Filter and Muffler Assembly Kawasaki	
FJ180V-AS57 14	FJ180V-AS57 22
Piston and Crankshaft Assembly Kawasaki		Starter Assembly Kawasaki FJ180V-AS57 23
FJ180V-AS57 15		

Part Description Abbreviations

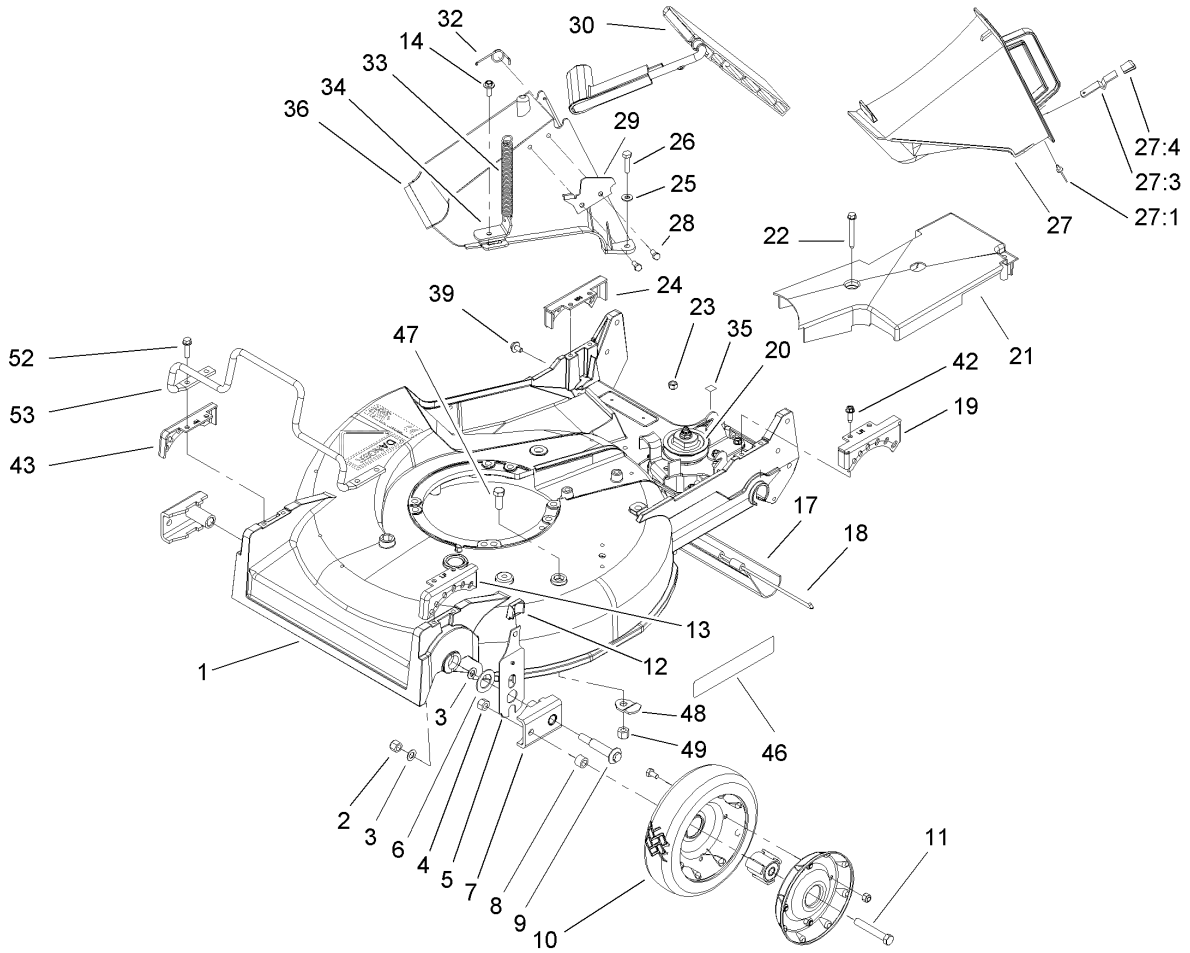
Part descriptions in this catalog may include the following abbreviations.

AR. as required	INC. incorporated
ASM. assembly	LH. left hand
CARR. carriage	NI. nylon insert
DEG. degrees	PPH. phillips pan head
FH. flat head	PTH. phillips truss head
GA. gauge	PTO. power take off
HF. hex flange	RH. right hand
HH. hex head	SFH. slotted fillister head
HHF. hex head flange	SHH. slotted hex head
HHFTF. hex head flange thread forming	SHWH. slotted hex washer head
HJ. hex jam	SPH. slotted pan head
HLH. hex lag head	SQH. square head
HOC. height-of-cut	SRH. slotted round head
HS. hex	STD. standard
HSBH. hex socket button head	TAP. self tapping
HSFH. hex socket flat head	TTH. torx truss head
HSH. hex socket head	WH. wing head
HWH. hex washer head	
HWHTF. hex washer head thread forming	
HYD. hydraulic	

Footnotes

❶ Not illustrated

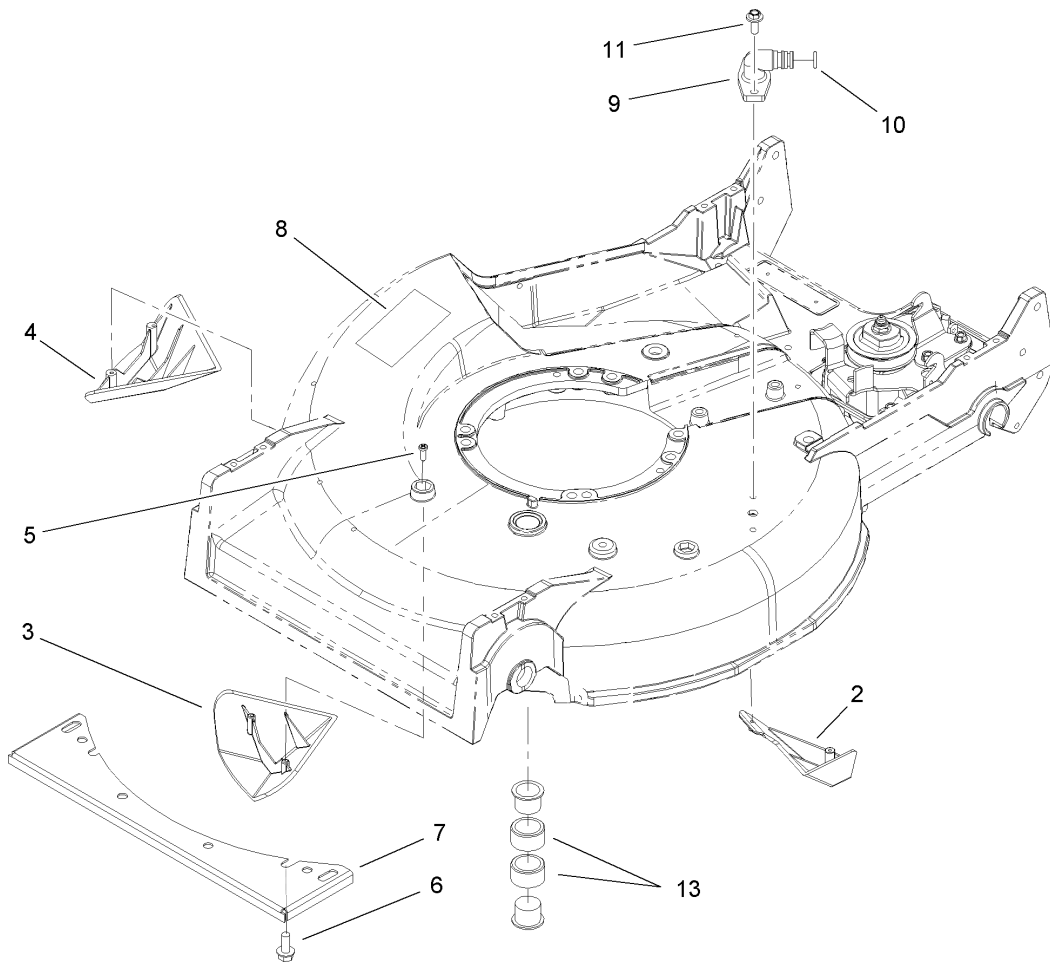
❷ Not serviced separately



Deck, Chute and Wheel Assembly

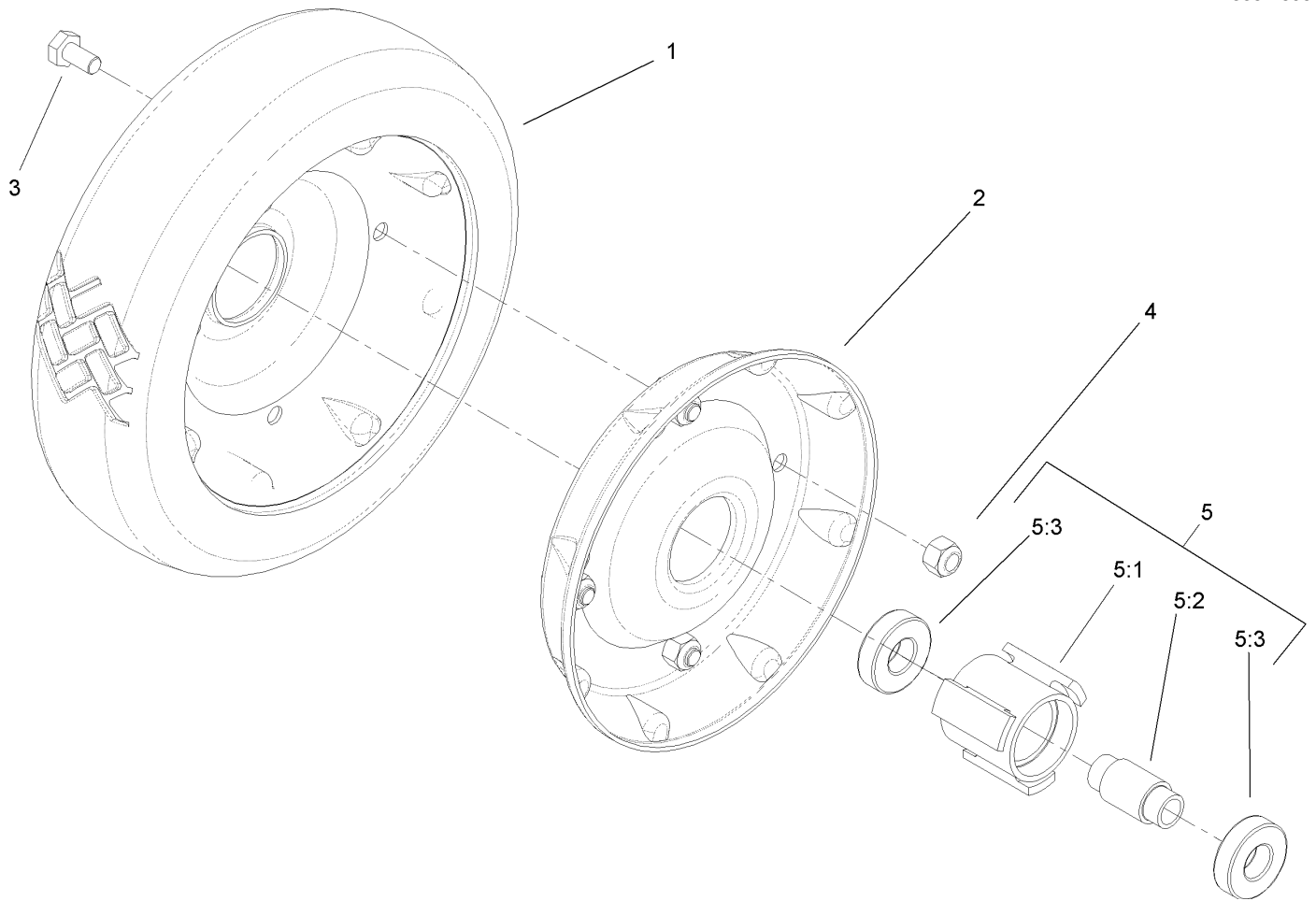
Ref	Part No.	Qty.	Description
1	98-7144	1	Housing
2	3296-6	2	Nut-Lock, NI
3	40-1940	4	Washer
4	32152-2	2	Nut-Hex
5	66-7560	2	Front Spring Arm ASM
6	257-3	2	Washer-Thrust
7	61-8300	2	Arm-Pivot, Front
8	52-2480	2	Spacer-Wheel
9	27-6232	2	Bolt-Wheel
10	53-7720	2	Wheel And Tire ASM
11	323-12	2	Screw-HH
12	25-7740	2	Knob-Arm
13	49-8760	1	Quadrant-Front, LH
14	46-6811	3	Screw-HWH
17	44-0580	1	Shield-Trailing
18	33-3208	1	Rod-Shield
19	49-8740	1	Quadrant-Rear, LH
20	74-1861	1	Gear Case ASM
21	74-1770	1	Cover-Belt
22	37-7260	2	Screw-HH
23	3296-42	2	Nut-Lock, NI
24	49-8750	1	Quadrant-Rear, RH
25	3256-22	2	Washer-Flat
26	321-7	2	Screw-HH

Ref	Part No.	Qty.	Description
27	77-0502	1	Discharge Plug ASM
27:1	3295-35	1	Rivet-Head, Flat
27:3	76-4640	1	Latch-Plug, Discharge
27:4	76-4650	1	Grip-Latch
28	46-8090	2	Screw-Plastite
29	93-3154	1	Latch-Plate
30	93-7351	1	Discharge Door ASM
32	80-3770	1	Retainer-Door
33	76-4660	1	Spring-Door
34	71-9350	1	Bracket-Spring
35	93-6664	1	Decal-Grease
36	82-9151	1	Tunnel-Discharge
39	46-6810	1	Screw And Washer ASM
42	49-2040	4	Screw-Tapping
43	49-8770	1	Quadrant-Front, RH
46	106-0689	1	Decal
47	323-6	3	Screw-HH
48	84-8930	2	Shield-Retainer
49	3296-39	3	Nut-Lock, NI
52	32144-86	4	Screw-Hwh, Thread Forming
53	99-6722	1	Guard-Engine



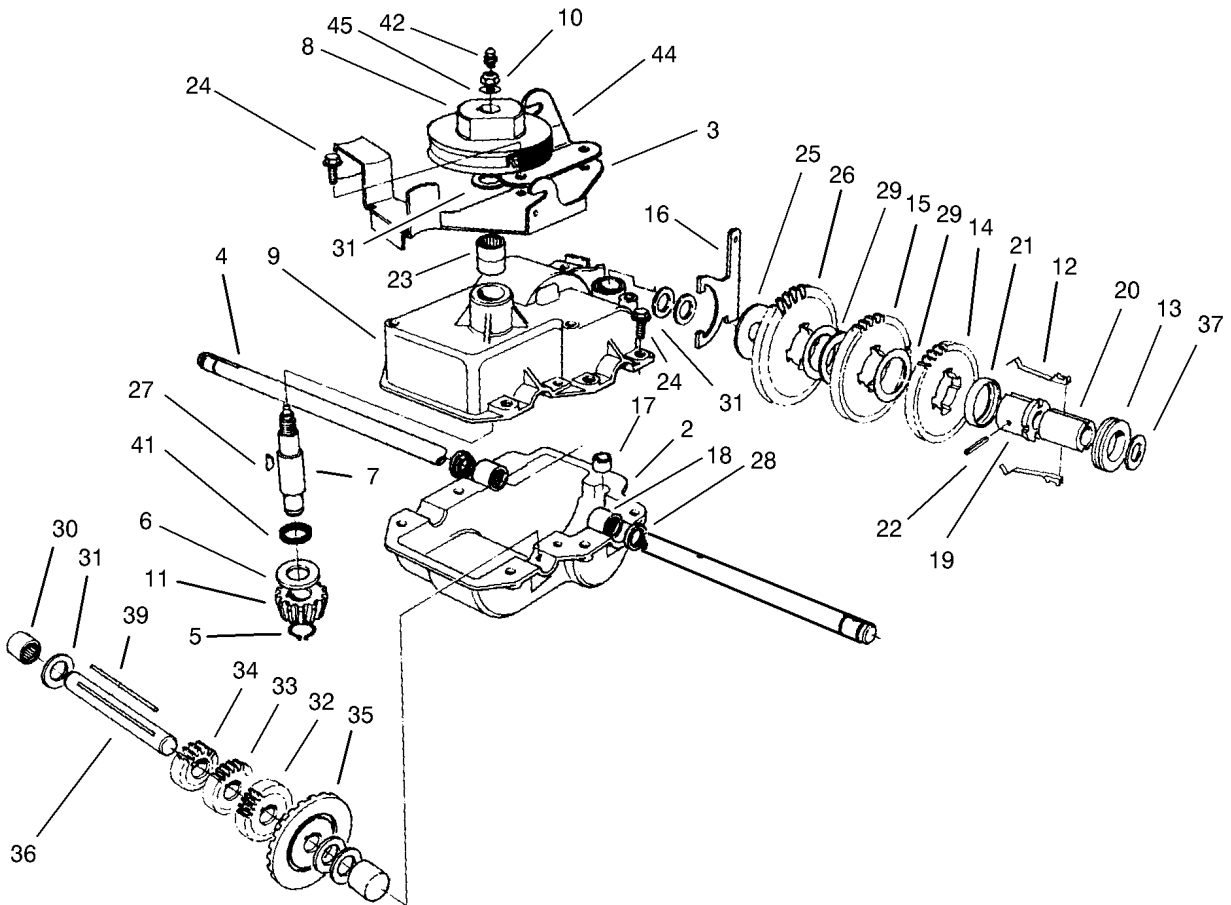
Housing Assembly No. 98-7144

Ref	Part No.	Qty.	Description				
2	92-1750	1	Kicker-Rear				
3	92-1720	1	Kicker-Front				
4	92-1730	1	Kicker-RH				
5	32144-111	6	Screw-PPH				
6	32144-70	4	Screw-HH				
7	46-5400-03	1	Shield				
8	93-6654	1	Decal-Danger Covers				
9	95-2747	1	Fitting-Washout				
10	46-6290	1	O-Ring				
11	46-6811	2	Screw-HWH				
13	68-9780	2	Bearing				



Wheel and Tire Assembly Part No. 53-7720

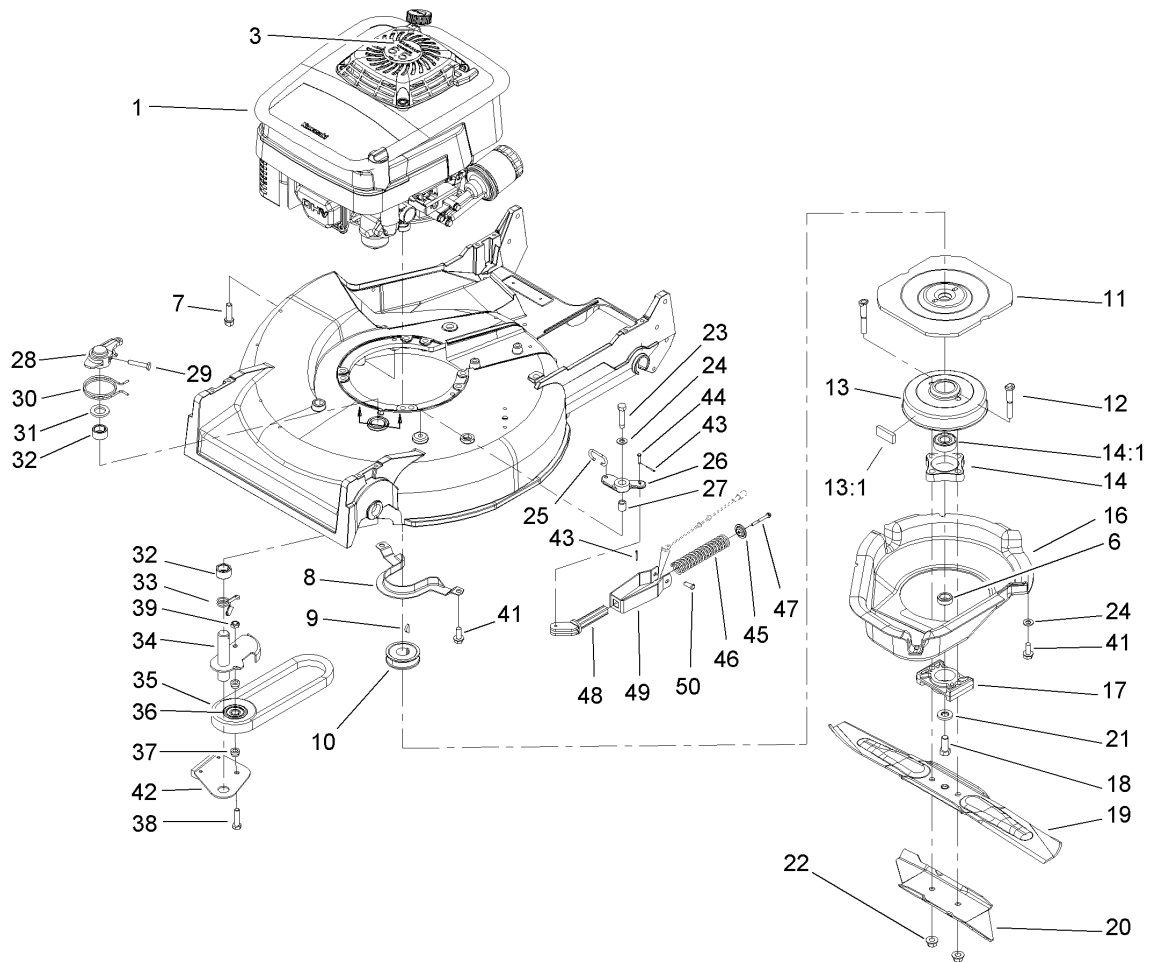
Ref	Part No.	Qty.	Description
1	53-7740	1	Tire
2	53-7780-06	2	Plate-Wheel, Half
3	321-2	4	Screw-HH
4	3296-42	4	Nut-Lock, NI
5		1	Hub And Bearing ASM
5:1	52-2410	1	Hub-Bearing
5:2	52-2440	1	Spacer-Bearing
5:3	52-2450	2	Bearing-Wheel



Gear Case Assembly No. 74-1861

Ref	Part No.	Qty.	Description
2	74-1920	1	Case-Gear, Lower
3	49-8461-03	1	Bracket-Guide, Belt
4	74-1890	1	Shaft-Output
5	32151-57	1	Ring-Retaining
6	47-2910	1	Washer-Thrust
7	68-8190	1	Shaft-Input
8	39-6740	1	Pulley
9	74-1880	1	Case-Gear, Upper
10	3296-5	1	Nut-Lock, NI
11	39-6660	1	Pinion-Bevel
12	29-9330	2	Key-Shift
13	29-9340	1	Collar-Shift
14	42-4740	1	Gear-38 Tooth
15	29-9271	1	Gear-42 Tooth
16	60-8870	1	Yoke-Shift
17	29-9570	1	Bushing-Yoke
18	47-6730	2	Seal-Oil
19	55-8010	1	Sleeve-Gear
20	39-6720	1	Sleeve
21	55-8020	1	Retainer-Key
22	3285-19	1	Pin-Groove
23	47-7270	2	Bearing
24	49-2040	6	Screw-Tapping
25	29-9690	1	Washer

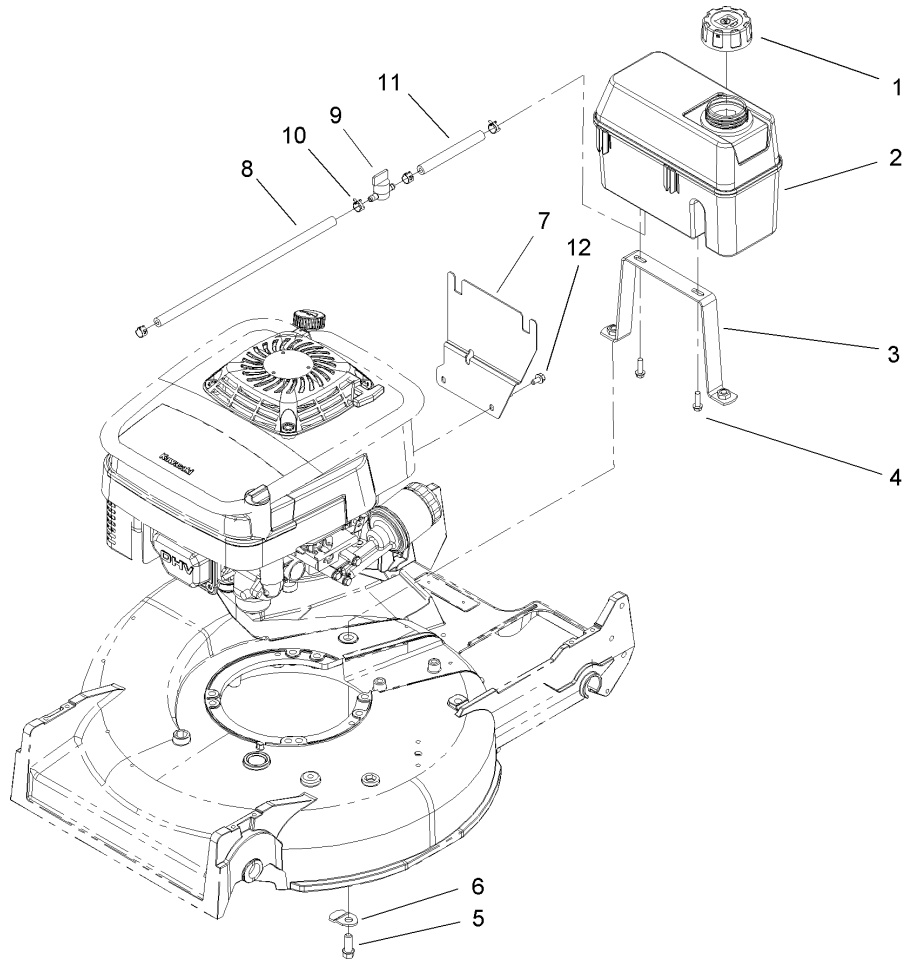
Ref	Part No.	Qty.	Description
26	46-3560	1	Gear
27	3257-1	2	Key-Woodruff
28	48-2060	2	Bearing-Roller
29	36-4770	3	Washer
30	252-103	2	Bearing-Closed
31	36-4792	4	Washer-Thrust
32	39-6650	1	Gear-18t
33	46-3550	1	Gear-14t
34	46-3540	1	Gear-12t
35	74-1760	1	Gear-Bevel
36	53-7950	1	Shaft-Intermediate
37	36-4780	3	Washer
39	39-7842	1	Key
41	47-7260	1	Seal
42	302-63	1	Zerk
44	74-1750-03	1	Brake-Engage, Traction
45	3256-45	1	Washer-Flat



Engine and Blade Assembly

Ref	Part No.	Qty.	Description
1		1	Engine ASM
3	106-0843	1	Decal-Recoil
6	107-4058	1	Spacer-Output Shaft
7	95-1727	4	Screw-Taptite
8	66-0570-03	1	Bracket-Guide, Belt
9	3257-17	1	Key-Woodruff
10	56-6180	1	Pulley-Driver
11	56-6160-03	1	Flywheel-Bbc
12	42-3190	2	Bolt-Blade
13	94-9431	1	Brake Drum ASM
13:1	52-3480	2	Dampner-Vibration
14	42-6890	1	Hub ASM
14:1	100-1048	2	Bearing-Ball
16	46-5693	1	Shield
17	62-4280	1	Spacer-Blade
18	3212-4	1	Screw-HH
19	91-2256-03	1	Blade
20	91-2255-03	1	Stiffener-Blade
21	107-4059	1	Cap-Engine
22	54-9190	2	Nut-Lock
23	32104-107	1	Screw-HH
24	3256-23	2	Washer-Flat
25	49-2810	1	Link-Control
26	49-7960	1	Bellcrank

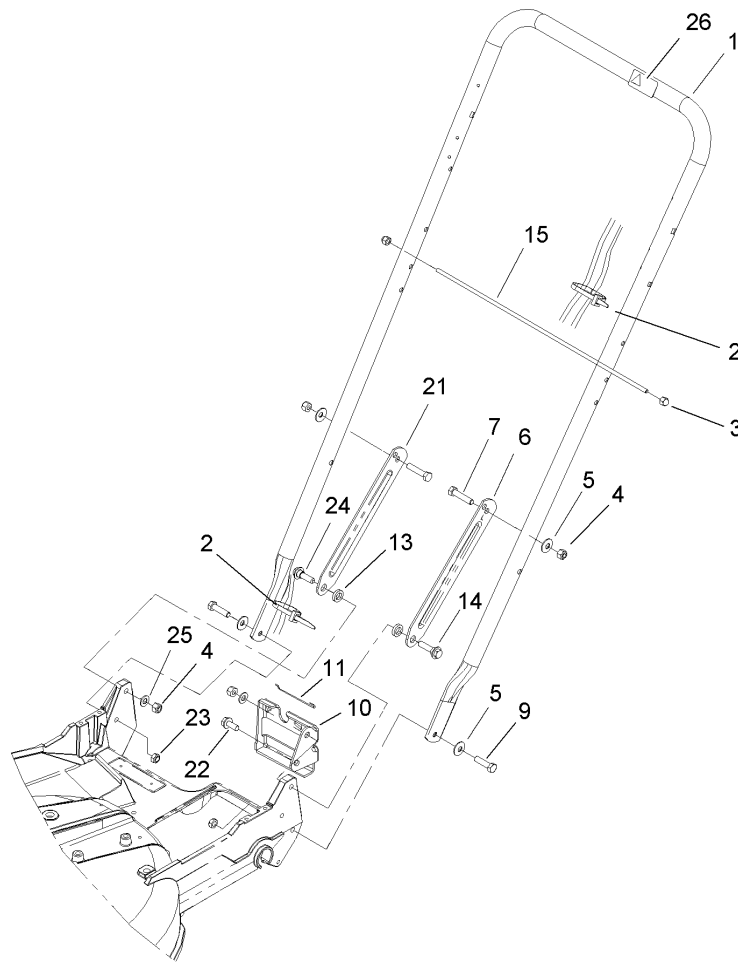
Ref	Part No.	Qty.	Description
27	49-7950	1	Sleeve-Bellcrank
28	49-2820	1	Lever
29	32104-96	1	Screw-HH
30	49-7970	1	Spring-Torsion
31	70-1160	1	Washer
32	68-9780	2	Bearing
33	85-6880	1	Spring-Torsion
34	84-9130	1	Arm-Idler
35	42-0884	1	V-Belt
36	46-5650	1	Pulley-Idler
37	46-5631	2	Hub-Pulley, Idler
38	322-6	1	Screw-HH
39	3296-47	1	Nut-Lock, NI
41	32144-70	3	Screw-HH
42	84-9180	1	Brake Plate ASM
43	3272-1	2	Pin-Cotter
44	84-9050	1	Pin-Spring
45	65-5280	1	Retainer-Spring
46	84-9100	1	Spring
47	46-7040	1	Screw-HWHTF
48	106-0842	1	Guide-Spring
48	84-8870	1	Guide-Spring
49	107-4087-03	1	Bracket-Spring, Painted
50	84-9040	1	Pin-Cable



Fuel Line and Tank Assembly

Ref	Part No.	Qty.	Description
1	93-7198	1	Gas Cap ASM
2	106-0625	1	Tank-Fuel
3	84-9160-03	1	Base-Tank
4	46-8091	2	Screw-HWH
5	95-1726	2	Screw-Taptite
6	84-8930	1	Shield-Retainer
7	106-0908-03	1	Bracket-Tank
8	47-2983	1	Hose-Fuel
9	1-603770	1	Valve-Fuel
10	2412-98	4	Clamp
11	106-0999	1	Hose-Gas
12	104-2628	3	Screw-HWH

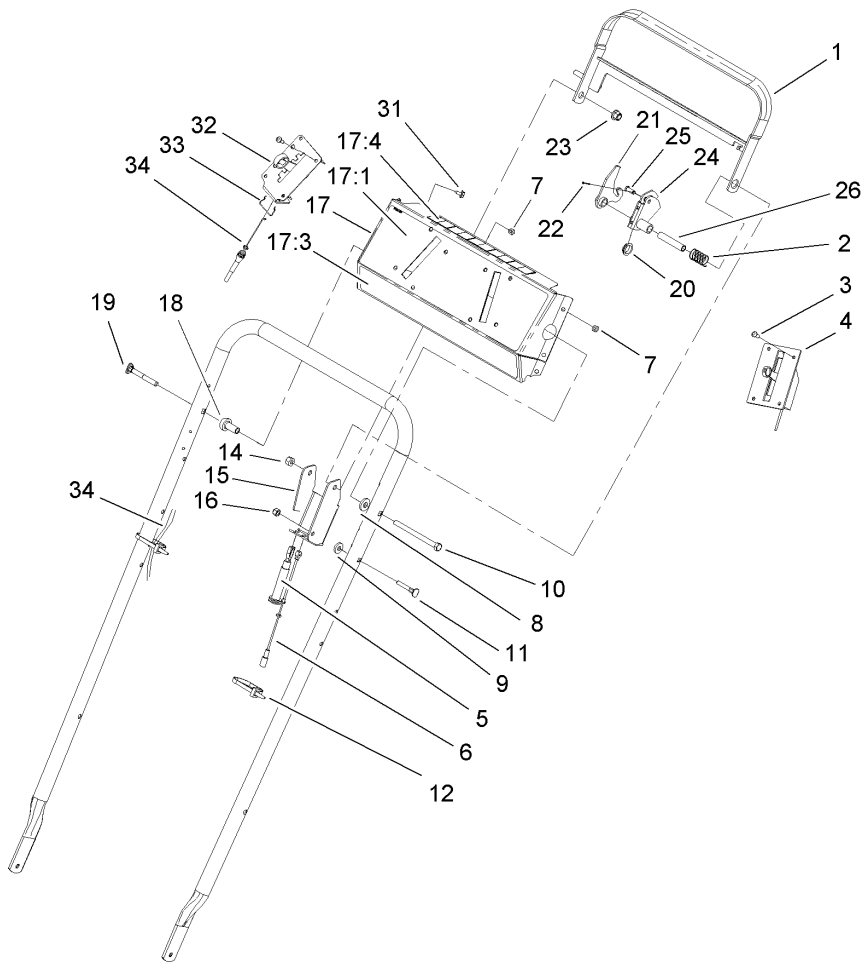
--	--	--	--



Handle Assembly

Ref	Part No.	Qty.	Description
1	98-2385-03	1	Handle
2	3290-378	2	Tie-Cable
3	32111-7	2	Nut-Cap
4	3296-29	4	Nut-Lock, NI
5	3290-456	4	Washer-Belleville
6	100-3298-03	1	Latch-Handle, LH
7	322-7	2	Screw-HH
9	322-6	2	Screw-HH
10	74-1741	1	Bracket-Adjustment, Traction
11	46-7030	1	Retainer-Cable
13	3-3287	2	Spacer-Latch, Handle
14	27-7210	1	Screw-Shoulder
15	48-2810	1	Rod-Support, Bag
21	100-3297-03	1	Latch-Handle, RH
22	32144-70	1	Screw-HH
23	3296-47	2	Nut-Lock, NI
24	27-7211	1	Screw-Shoulder
25	3256-23	2	Washer-Flat
26	98-4387	1	Decal-Protection, Ear

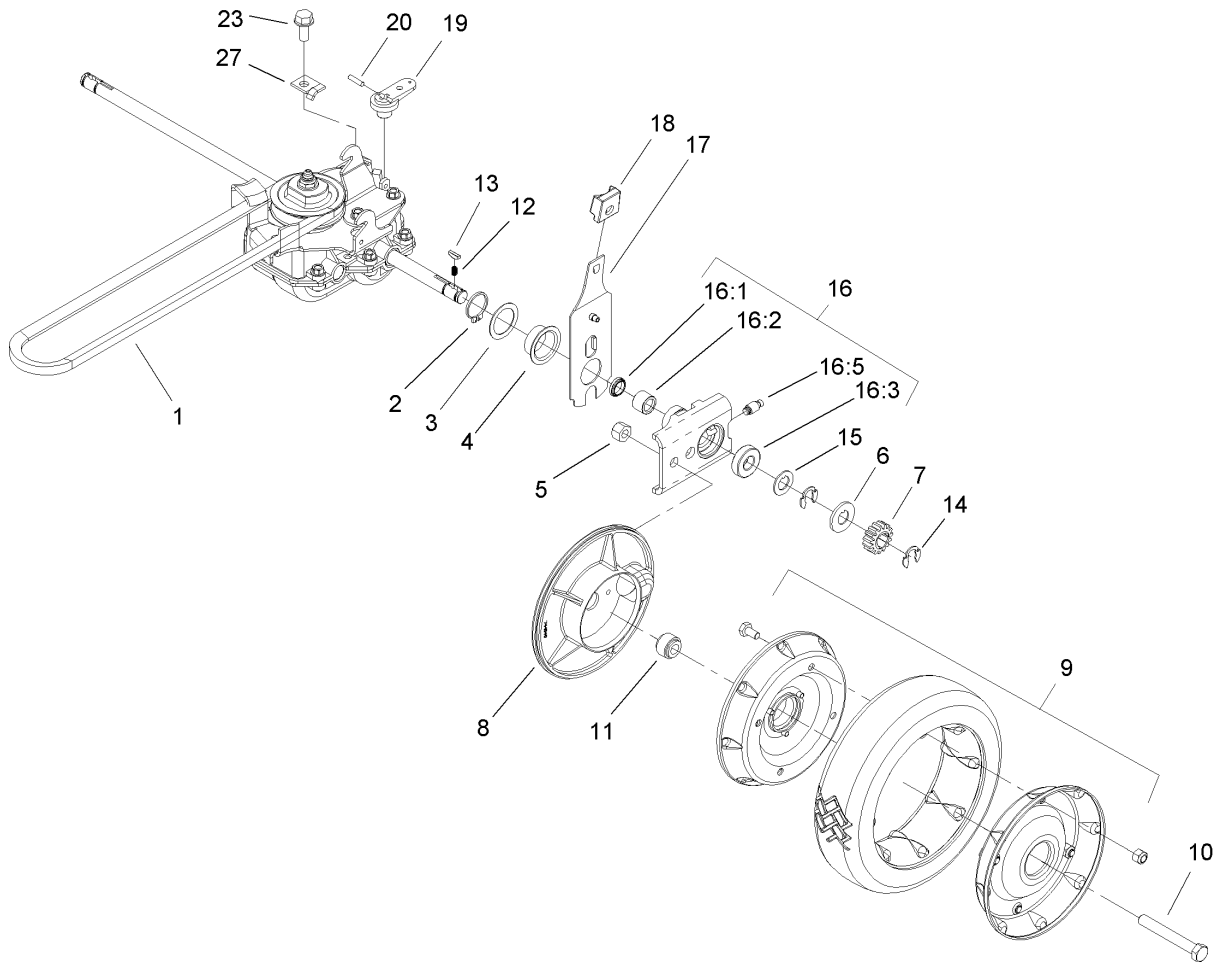
--	--	--	--



Control Panel Assembly

Ref	Part No.	Qty.	Description
1	84-8940-03	1	Bar-Control
2	85-6750	1	Spring-Control
3	3250-12	8	Screw-PPH
4	106-0857	1	Control-Throttle
5	84-9120	1	Cable-Traction
6	84-9110	1	Cable-Clutch
7	3296-2	8	Nut-Lock
8	71-9310	1	Spacer
9	71-9320	1	Spacer
10	322-19	1	Screw-HH
11	46-6430	1	Screw-Handle
12	3290-378	2	Tie-Cable
14	3296-29	1	Nut-Lock, NI
15	92-1778-03	1	Bracket-Control
16	3296-42	1	Nut-Lock, NI
17	99-8137	1	Panel ASM
17:1	98-2006	1	Decal-Panel, Control
17:3	106-0771	1	Decal-Panel, Proline
17:4	93-6655	1	Decal-Panel, Rear
18	49-1631	1	Spacer-Support
19	17-9427	1	Screw
20	86-9320	1	Bushing-Flange
21	84-9000	1	Lever-Traction
22	3272-1	1	Pin-Cotter

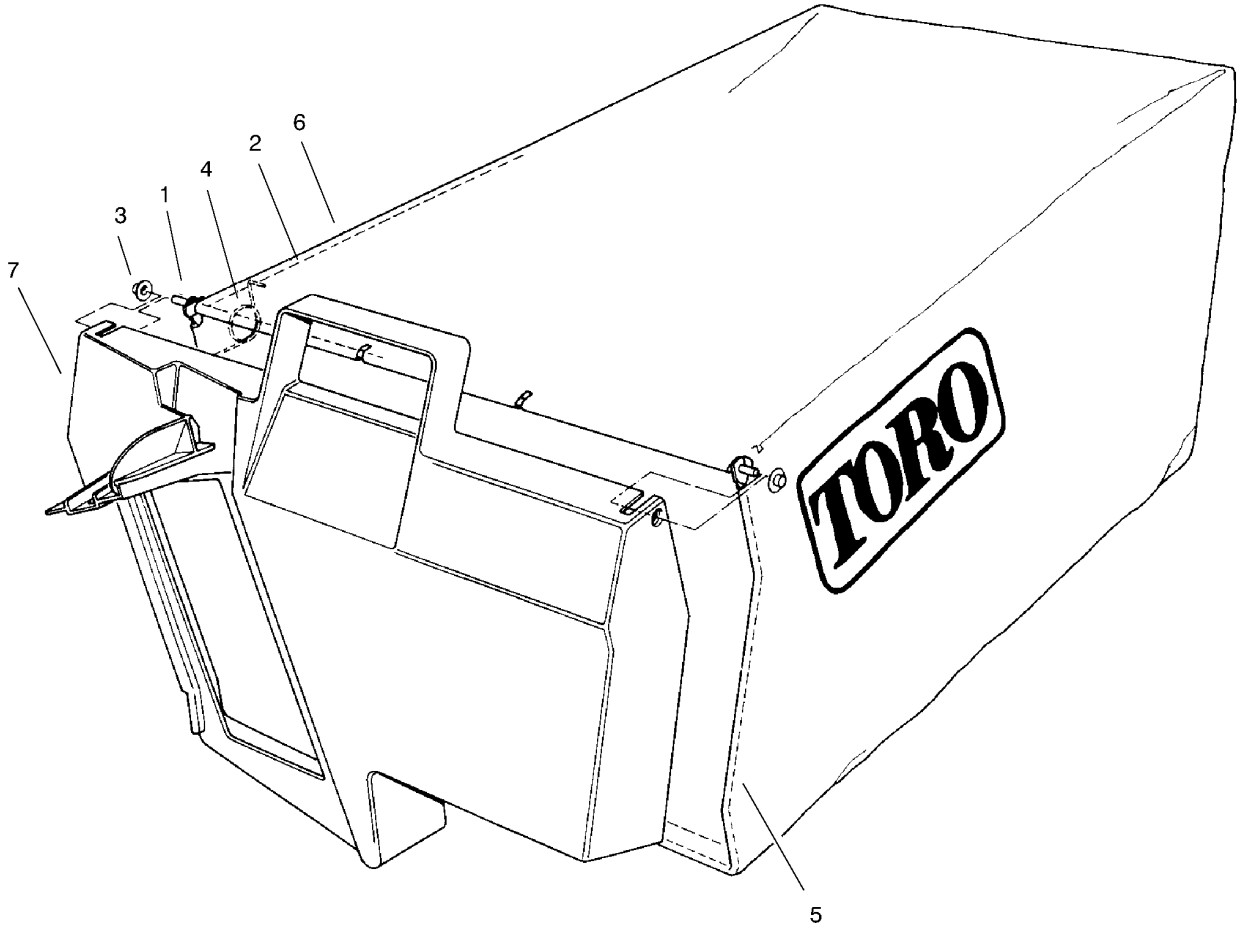
Ref	Part No.	Qty.	Description
23	3296-58	1	Nut-Lock NI
24	84-8990	1	Lever-Bbc
25	84-9040	1	Pin-Cable
26	84-9030	1	Spacer-Bracket, Control
31	32104-76	6	Screw
32	99-2542	1	Control-Shift
33	85-6780	1	Retainer-Cable, Throttle
34	99-2541	1	Cable-Shift



Rear Drive and Wheel Assembly

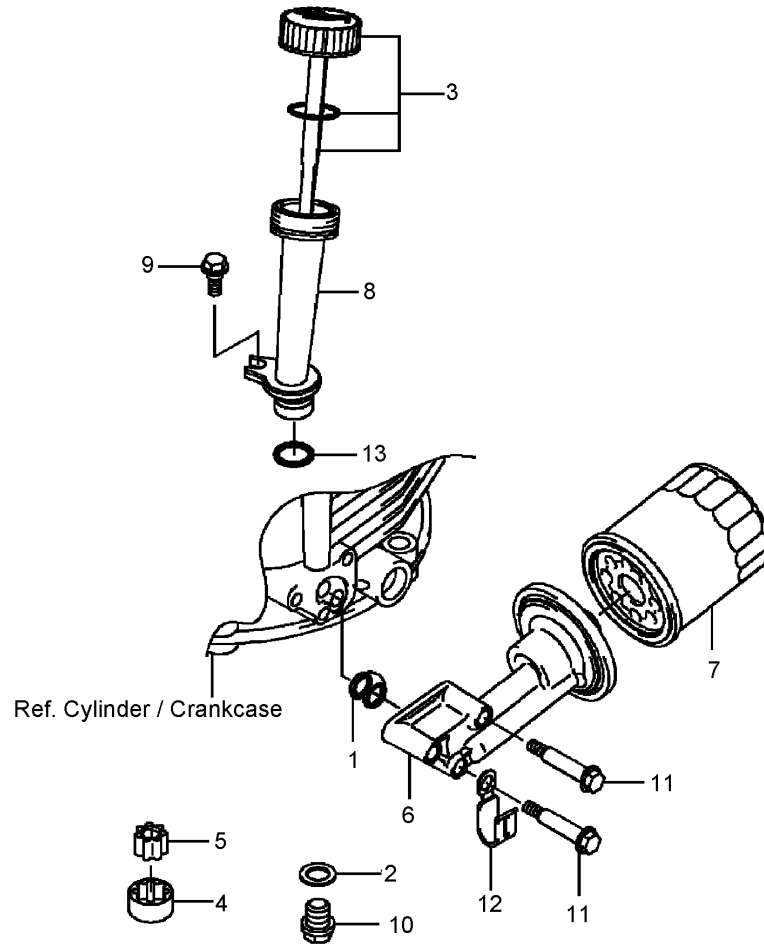
Ref	Part No.	Qty.	Description
1	36-8070	1	V-Belt
2	32151-36	2	Ring-Retaining
3	74-1810	2	Washer
4	48-2170	2	Cap-End
5	32152-2	2	Nut-Hex
6	62-3830	2	Washer-Thrust, Outer
7	39-9160	2	Gear-Pinion
8	74-1640	2	Cover-Wheel
9	74-1720	2	Wheel And Tire ASM
10	323-13	2	Screw-HH
11	74-1650	2	Spacer-Cover, Wheel
12	39-9650	2	Spring-Compression
13	612066	2	Key
14	32151-68	4	Ring-Retaining
15	49-7700	2	Washer-Thrust, Outer
16	74-1851	2	Pivot Arm ASM
16:1	47-6730	1	Seal-Oil
16:2	48-2060	1	Bearing-Roller
16:3	52-2450	1	Bearing-Wheel
16:5	92-6316	1	Zerk
17	66-7561	2	Rear Spring Arm ASM
18	25-7740	2	Knob-Arm
19	29-9560	1	Lever-Shift
20	32121-99	1	Pin-Coil

Ref	Part No.	Qty.	Description
23	32144-70	1	Screw-HH
27	62-3720	1	Clamp-Cable
99	106-0975	1	Grass Bag ASM



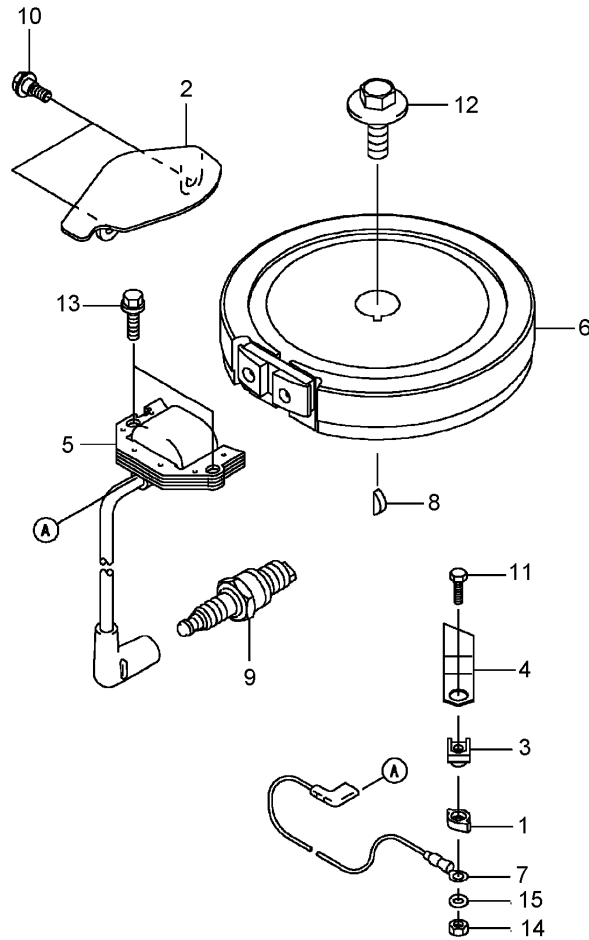
Grass Bag Assembly No. 106-0975

Ref	Part No.	Qty.	Description
1	33-4820	1	Hinge-Door, Bag
2	42-4030	1	Frame-Bag, Upper
3	3290-422	2	Nut-Push
4	36-6910	2	Spring
5	42-4020	1	Frame-Bag
6	106-0926	1	Bag-Grass
7	48-2840	1	Door-Bag, Grass



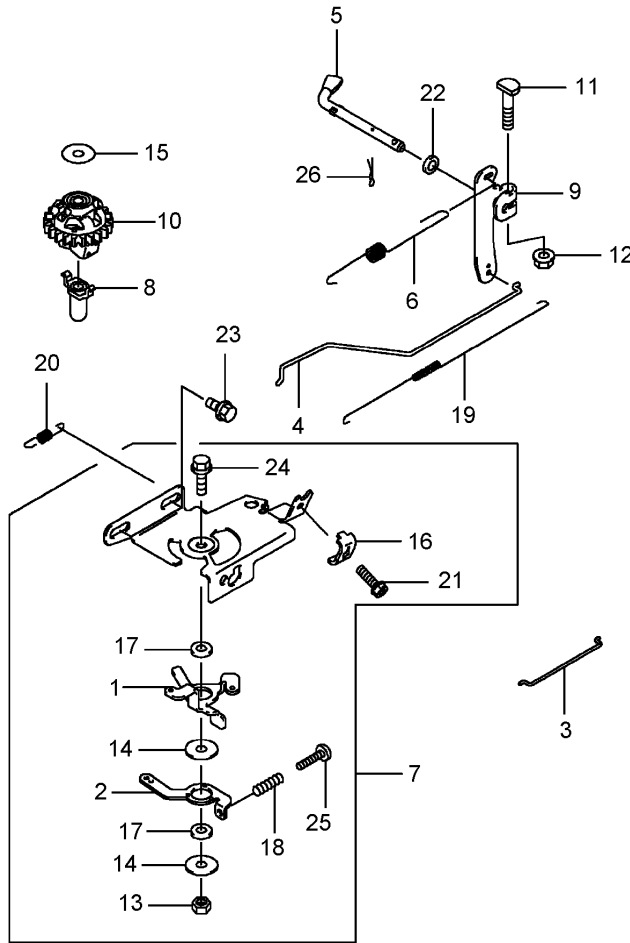
Lubrication Equipment Assembly Kawasaki FJ180V-AS57

Ref	Part No.	Qty.	Description				
1	100-2644	1	Gasket				
2	108-2538	1	Gasket				
3	108-2539	1	Cap ASM				
4	108-2540	1	Rotor-Pump				
5	108-2541	1	Rotor-Pump				
6	108-2542	1	Pipe				
7	KW10761	1	Filter-Oil				
8	108-2543	1	Filler				
9	108-2544	1	Bolt				
10	108-2545	1	Bolt				
11	108-2546	3	Bolt				
12	108-2547	1	Clamp				
13	100-2690	1	O-Ring				



Electric Equipment Assembly Kawasaki FJ180V-AS57

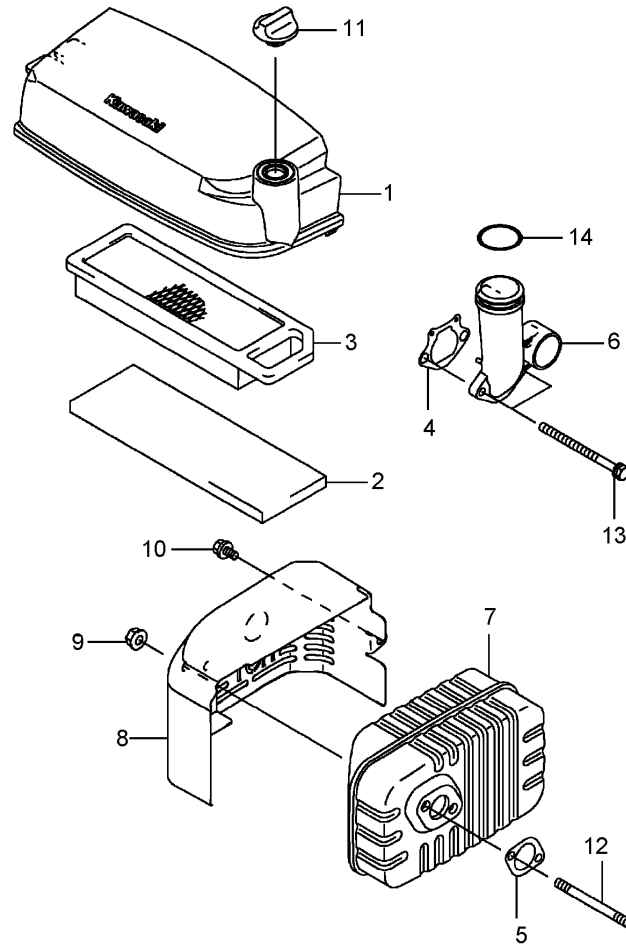
Ref	Part No.	Qty.	Description
1	100-2652	1	Cover
2	108-2553	1	Cover
3	100-2653	1	Insulator
4	100-2796	1	Terminal
5	108-2554	1	Coil Ignition ASM
6	108-2555	1	Flywheel-Comp
7	108-2556	1	Wire-Lead
8	93-8571	1	Key
9	KW10676	1	Sparkplug
10	108-2544	2	Bolt
11	108-2558	1	Bolt
12	108-2559	1	Bolt
13	95-9893	2	Bolt-Flanged
14	100-2668	1	Nut-Hex
15	100-2798	1	Washer-Plain



Control Equipment Assembly Kawasaki FJ180V-AS57

Ref	Part No.	Qty.	Description
1	108-2560	1	Lever
2	108-2561	1	Lever
3	108-2562	1	Link-Choke
4	108-2563	1	Link-Throttle
5	108-2564	1	Arm-Pivot
6	108-2565	1	Spring-Govenor
7	108-2566	1	Control Panel ASM
8	108-2567	1	Sleeve
9	108-2568	1	Arm-Governor
10	108-2569	1	Governor ASM
11	108-2570	1	Bolt
12	108-2571	1	Nut
13	108-2572	1	Nut
14	100-2715	2	Washer
15	93-8612	1	Washer
16	95-9849	1	Clamp
17	100-2718	2	Collar
18	93-8588	1	Spring
19	108-2573	1	Spring-Throttle
20	108-2574	1	Spring
21	95-9853	1	Bolt
22	108-2575	1	Washer
23	100-2804	2	Bolt-Flanged
24	108-2576	1	Bolt-Flange

Ref	Part No.	Qty.	Description
25	108-2577	1	Screw-Pan
26	108-2578	1	Pin-Snap



Air Filter and Muffler Assembly Kawasaki FJ180V-AS57

Ref	Part No.	Qty.	Description
1	108-2602	1	Case-Filter, Air
2	108-2603	1	Element-Filter, Air
3	108-2604	1	Air Filter Element ASM
4	108-2605	1	Gasket-Pipe, Intake
5	108-2606	1	Gasket-Muffler
6	108-2607	1	Pipe-Intake
7	108-2608	1	Muffler-Comp
8	108-2609	1	Cover-Muffler
9	108-2610	2	Nut
10	108-2611	1	Bolt
11	108-2612	1	Nut
12	100-2761	2	Bolt-Stud
13	100-2762	2	Bolt
14	108-2613	1	O-Ring

--	--	--	--

