



Count on it.

Parts Catalog

Ultra Buggy® e2500-THL

Model No. 68142—Serial No. 420600000 and Up



Ordering Replacement Parts

To order replacement parts, please supply the part number, the quantity, and the description of each part desired.

Understanding Reference Numbers

Each identified part in an illustration has a reference number. The reference number for a part also appears in the parts list, along with other information about the part.

This catalog uses two special reference number formats, one to indicate parts in a service assembly and another to indicate the quantity of a given part in an illustration.

Service Assembly Reference Numbers

Parts in service assemblies have reference numbers in the form a:b. The a represents the reference number of the entire service assembly and the b represents a sequential number unique to each part within the service assembly.

For example, a wheel assembly might be identified by reference number 6, the tire by 6:1, the valve by 6:2, and the wheel by 6:3. When you order the assembly identified by reference number 6, you receive all parts identified by reference numbers 6:1, 6:2, and 6:3. However, you may also order any part individually. Reference numbers of this type appear in illustration and in parts lists.

Reference Numbers Indicating Quantity

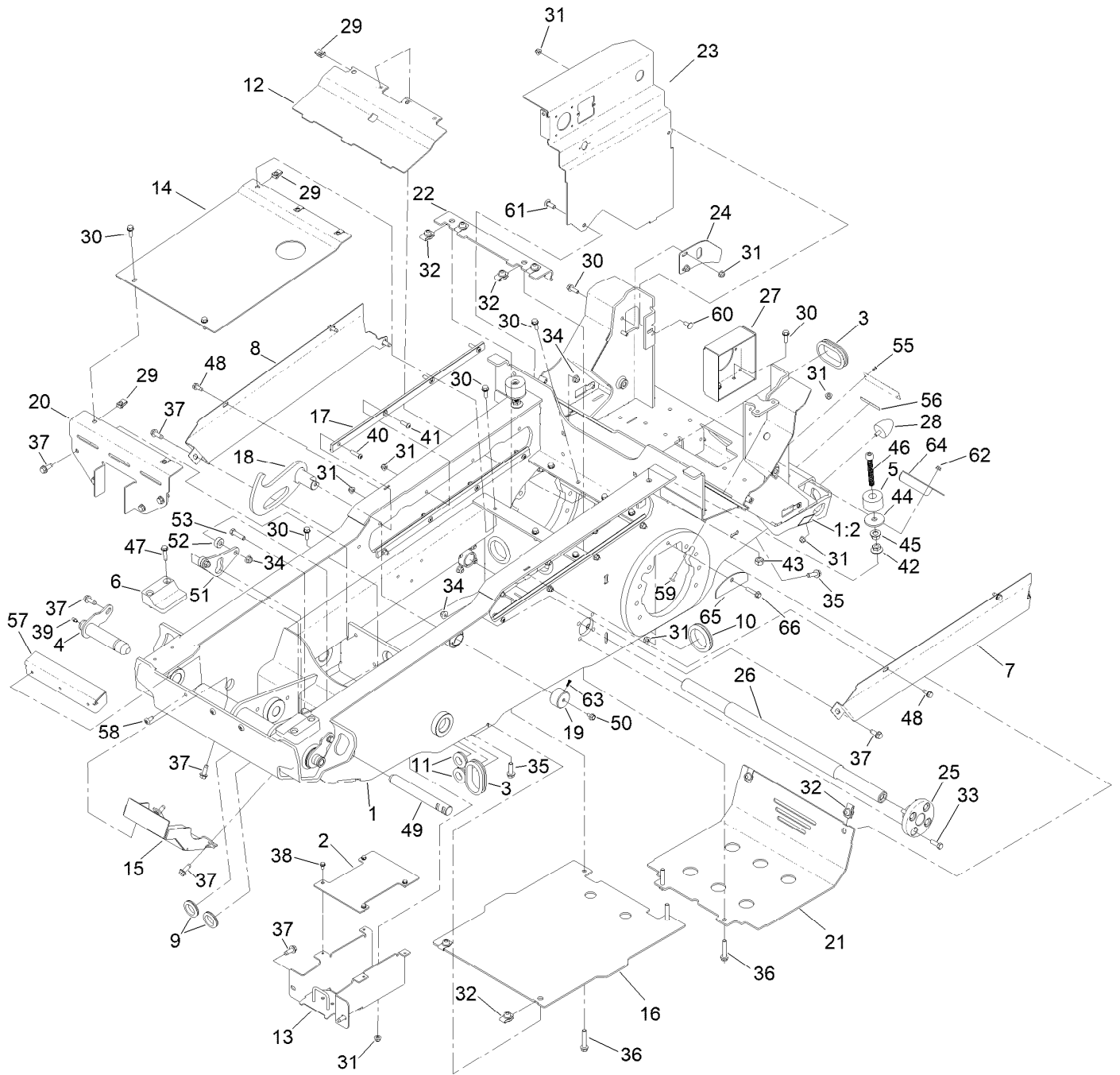
In an illustration, if a reference number indicates more than one part, the reference number has the form nX y. The n represents the quantity of the part, the X is the multiplication symbol, and the y represents the reference number.

For example, in an illustration, the reference number 2X 37 means that two of the parts identified by reference number 37 are indicated.

Contents

Frame Assembly	4
Hydraulic Assembly	6
Battery Assembly	8
Tower and Hood Assembly	10
Track Assembly	12
Tub Assembly	14
Electrical Assembly	16
Control Assembly No. 163-2672	18
Lift Assembly	20
Platform Assembly	22
Attachments and Accessories	24

Frame Assembly



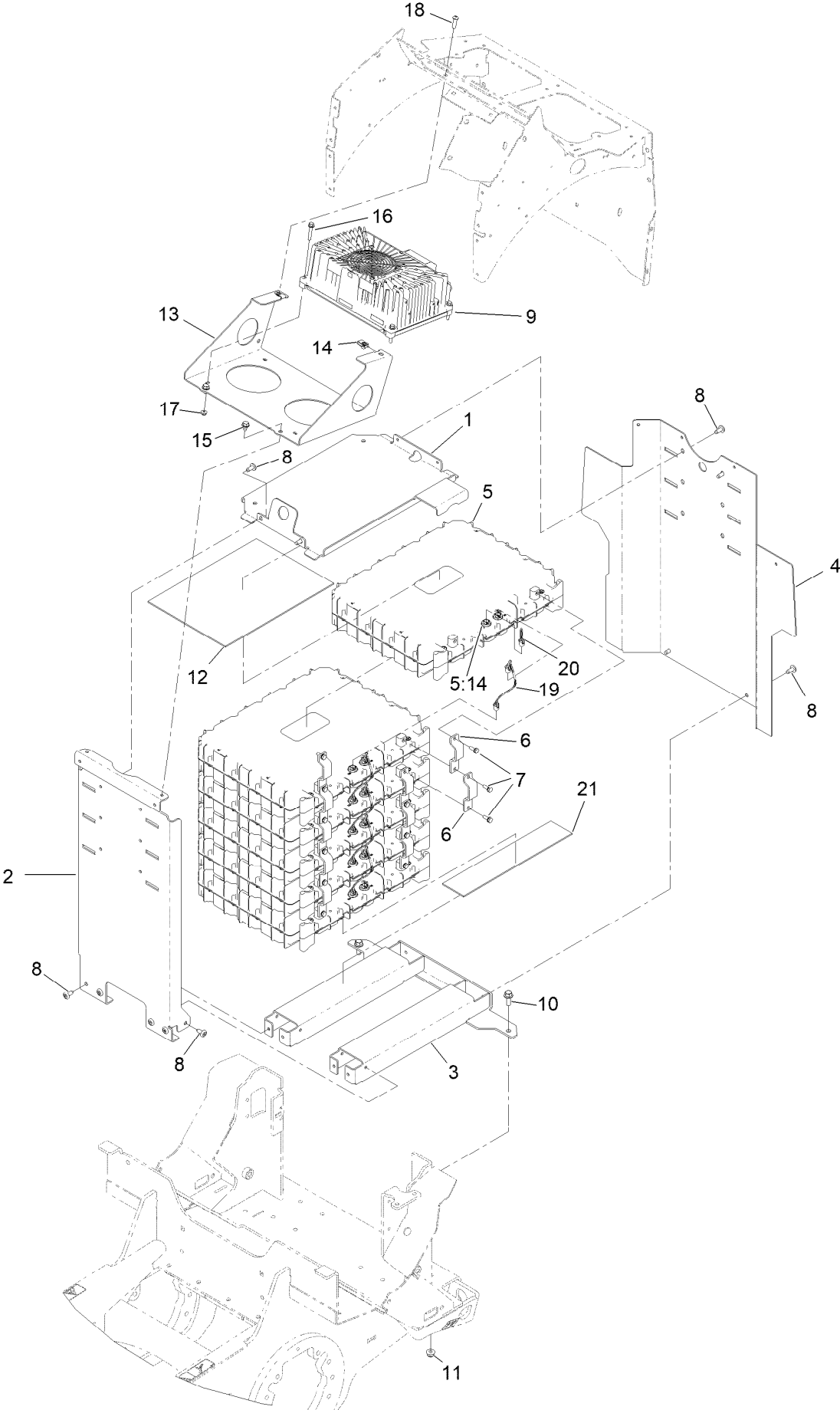
Frame Assembly (continued)

<i>Ref.</i>	<i>Part Number</i>	<i>Qty.</i>	<i>Description</i>	<i>Ref.</i>	<i>Part Number</i>	<i>Qty.</i>	<i>Description</i>
1	163-4465	1	Frame-High Lift	33	323-18	8	Screw-HH
1:2	147-6707	4	Decal-Lift, Tie Down	34	119-4042	11	Nut-HF, NI
2	163-2673-05	1	Cover-Hose Tray	35	119-4061	4	Screw-HHF
3	145-4923	2	Grommet	36	108-3742	4	Screw-HHF
4	161-9595	2	Pin-Link	37	139-2428	16	Screw-HWH
5	163-2697	2	Stop-Pu	38	9266714	4	Screw-HWH
6	163-2658	2	Stop-Lift	39	302-5	2	Fitting-Grease
7	163-2698-05	1	Cover-Roller, LH	40	3290-511	8	Screw-HSBH
8	163-2699-05	1	Cover-Roller, RH	41	109-4872	8	Screw-HSH
9	240-3	2	Grommet-Rubber	42	32128-56	2	Nut-HF
10	126-0015	3	Grommet	43	3217-9	2	Nut-HH
11	240-4	2	Grommet-Rubber	44	75-7730	2	Washer-Thrust
12	161-5575-05	1	Shield-Motor, Front	45	139-1689	2	Nut-HF
13	161-9568-05	1	Bracket-Skid, Center [blk-Txt]	46	163-2696	2	Screw-HSH,Spl
14	161-5521-05	1	Cover-High Lift, HYD	47	32144-57	4	Screw-Thd Roll
15	161-5511-05	1	Channel-High Lift, Skid Plate	48	32144-11	4	Screw-HWH
16	161-7598-05	1	Panel-Skid Plate, High Lift	49	161-5500	1	Shaft-1.0 DIA X 8.18 Long,Zn
17	163-4420	4	Guide-Track, Roller	50	3234-28	1	Screw-HHF
18	163-4445-01	1	Scissor Lock, LH [red]	51	161-8054-05	1	Retainer-Pin
19	163-4432-01	1	Retainer-Lift Lockout	52	135-0456	2	Spacer
20	161-7592-05	1	Cover-High Lift, HYD	53	323-8	2	Screw-HH
21	163-4476-05	1	Panel-Rear Skid, High Lift	55	3269-29	2	Rivet-Pop
22	163-2669-05	1	Mount-Skid Plate	56	133-8061	1	Decal-Warning
23	163-7931-05	1	Bracket-Cord Storage	57	163-4405-05	1	Bracket-Cover, Pivot Link
24	161-7587	1	Bracket-Platform Latch	58	138-9753	3	Screw
25	132-9075	2	Hub-Mount, Track	59	1-807512	1	Bolt-CARR
26	161-3385	1	Shaft-Track Mount	60	137-3061	1	Bolt-CARR
27	161-5580-05	1	Bracket-Mount, Disconnect	61	3231-22	1	Screw-CARR
28	114-1926	4	Bumper-Rubber	62	104-7201	1	Nut-HF, NI
29	112-3306	13	Nut	63	163-4447	1	Screw-Hs
30	3234-29	15	Screw-HHF	64	163-4490-05	1	Bracket-Wire Guard
31	119-4041	29	Nut-HF	65	163-4495-05	2	Cover-Motor
32	105-4886	8	Nut-Tinnerman	66	115-1794	2	Screw-HHF

Hydraulic Assembly (continued)

<i>Ref.</i>	<i>Part Number</i>	<i>Qty.</i>	<i>Description</i>	<i>Ref.</i>	<i>Part Number</i>	<i>Qty.</i>	<i>Description</i>
1	147-3542	1	Pump Unit-48Vdc	25	161-8073	1	Hose-HYD
2	3234-42	2	Screw-HHF	26	3234-47	5	Screw-HHF
3	161-7582-05	1	Bracket-Mount, Manifold	27	161-9540	1	Hydraulic Tube ASM
4	161-9506	1	Manifold-Hydraulic ASM, Lift	28	161-9541	1	Hydraulic Tube ASM
5	110-0824	6	R-Clamp	29	161-9551	1	Hydraulic Tube ASM
6	161-5508	1	Hose-HYD	30	161-9570	1	Clamp-Saddle, CYL
7	161-5510	1	Hose-HYD	31	69-8970	2	Spacer
8	161-8070	1	Hose-HYD	32	69-8940	4	Washer
9	161-8071	1	Hose-HYD	33	340-70	4	Nut-Lock
10	161-9565	1	Hose-HYD	34	138-9753	7	Screw
11	161-8075	1	Hose-HYD	35	161-3381	2	Cylinder-Hydraulic
12	340-69	2	Elbow-Bulkhead, 45 DEG	36	138-9005	1	Clamp-Hose
12:1	237-22	2	O-Ring	37	163-4411	1	Manifold ASM, Manual Override
13	161-8076	1	Hose-HYD	37:4	340-77	1	Fitting-Elbow, 90 DEG
14	161-8077	1	Hose-HYD	37:4:1	237-22	1	O-Ring
15	340-18	3	Fitting-HYD, 90 DEG	37:4:2	237-42	1	O-Ring
15:1	237-79	1	O-Ring	37:5	145-2645	1	Fitting-Elbow 90 Long
15:2	237-22	1	O-Ring	37:5:1	237-22	1	O-Ring
16	340-98	1	Fitting-Elbow, 90 DEG	37:5:2	237-42	1	O-Ring
16:1	237-79	1	O-Ring	37:6	340-2	1	Fitting-Straight
16:2	237-30	1	O-Ring	37:6:1	237-22	1	O-Ring
17	340-77	1	Fitting-Elbow, 90 DEG	37:6:2	237-42	1	O-Ring
17:1	237-22	1	O-Ring	37:7	353-508	1	Plug-HH
17:2	237-42	1	O-Ring	37:7:1	237-42	1	O-Ring
18	161-7581-05	1	Bracket-Mount, Power Unit	38	340-5	1	Fitting-Straight
19	32144-11	2	Screw-HWH	38:1	237-42	1	O-Ring
20	3234-29	2	Screw-HHF	38:2	237-30	1	O-Ring
21	119-4041	2	Nut-HF	39	94-6031	1	Elbow-90
22	86-3010	1	Filter-Oil	39:1	237-30	1	O-Ring
23	161-8078	1	Hose-HYD				
24	161-8072	1	Hose-HYD				

Battery Assembly

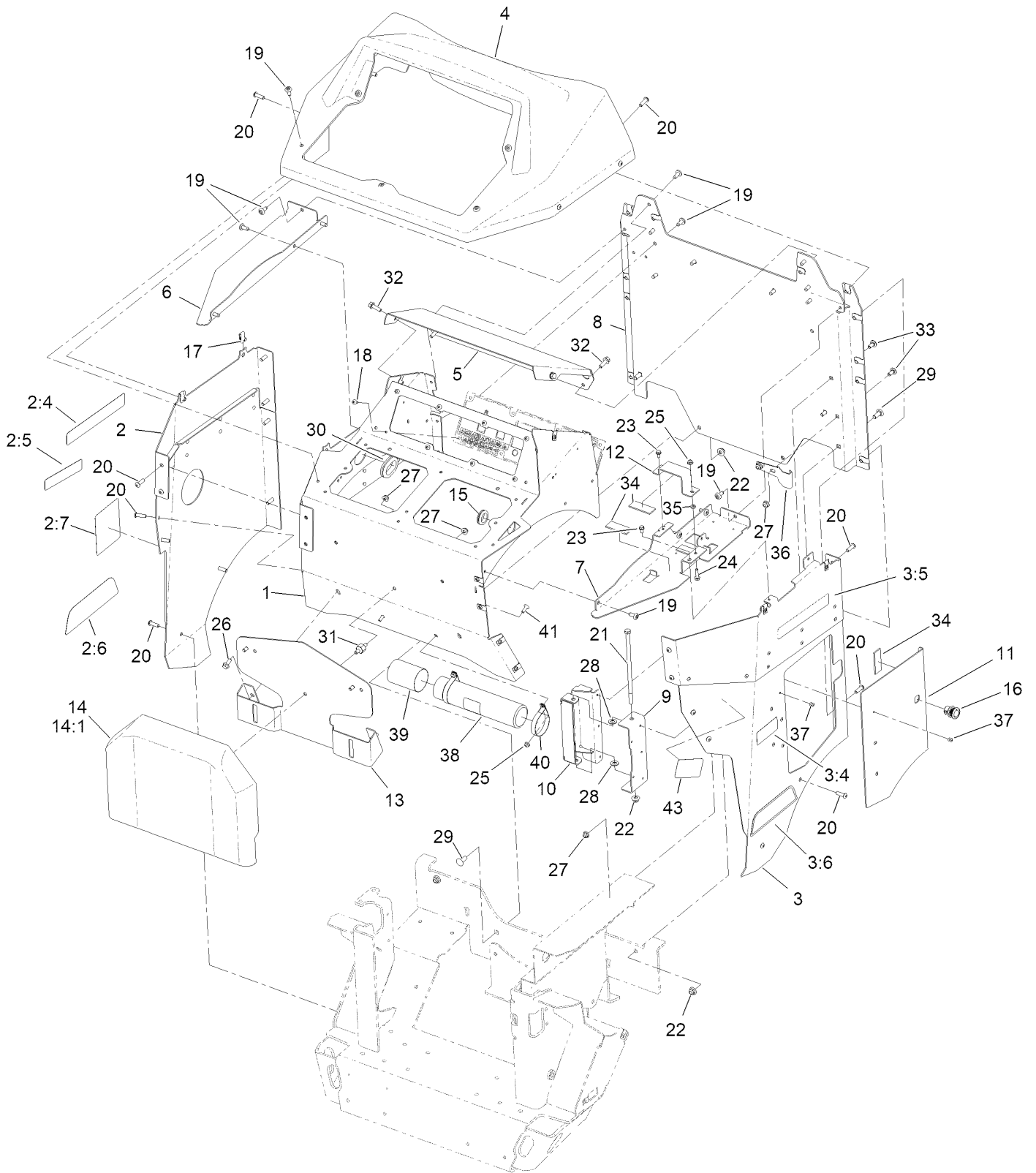


Battery Assembly (continued)

<i>Ref.</i>	<i>Part Number</i>	<i>Qty.</i>	<i>Description</i>	<i>Ref.</i>	<i>Part Number</i>	<i>Qty.</i>	<i>Description</i>
1	161-5565-05	1	Bracket-Clamp, Battery	11	119-4042	2	Nut-HF, NI
2	161-5563-05	1	Bracket-Battery Front	12	145-2366	1	Foam-Battery Box
3	161-5568-05	1	Frame-Battery Base [blk-Txt]	13	161-9549-05	1	Bracket-Mount, Charger
4	161-5564-05	1	Bracket-Battery,Rear	14	112-3306	2	Nut
5	145-5320	6	Battery ASM	15	9266934	2	Screw
5:2	145-5338	1	Decal-Warning, Battery ●	16	94-5781	4	Screw-HHF
5:14	32180-466	2	Nut-Mounting, Jwvf Panel Lock	17	104-7201	4	Nut-HF, NI
6	147-3877	10	Bar-Bus, 400A	18	109-4872	2	Screw-HSH
7	145-5783	12	Screw-Sems	19	140-9565	5	Harness-Wire, Data Interface
8	138-9753	11	Screw	20	122-2323	1	Harness-Wire, Can Terminator
9	145-5393	1	Charger-Onboard	21	163-4489	2	Foam-Battery Box
10	3234-42	2	Screw-HHF				

● Not illustrated

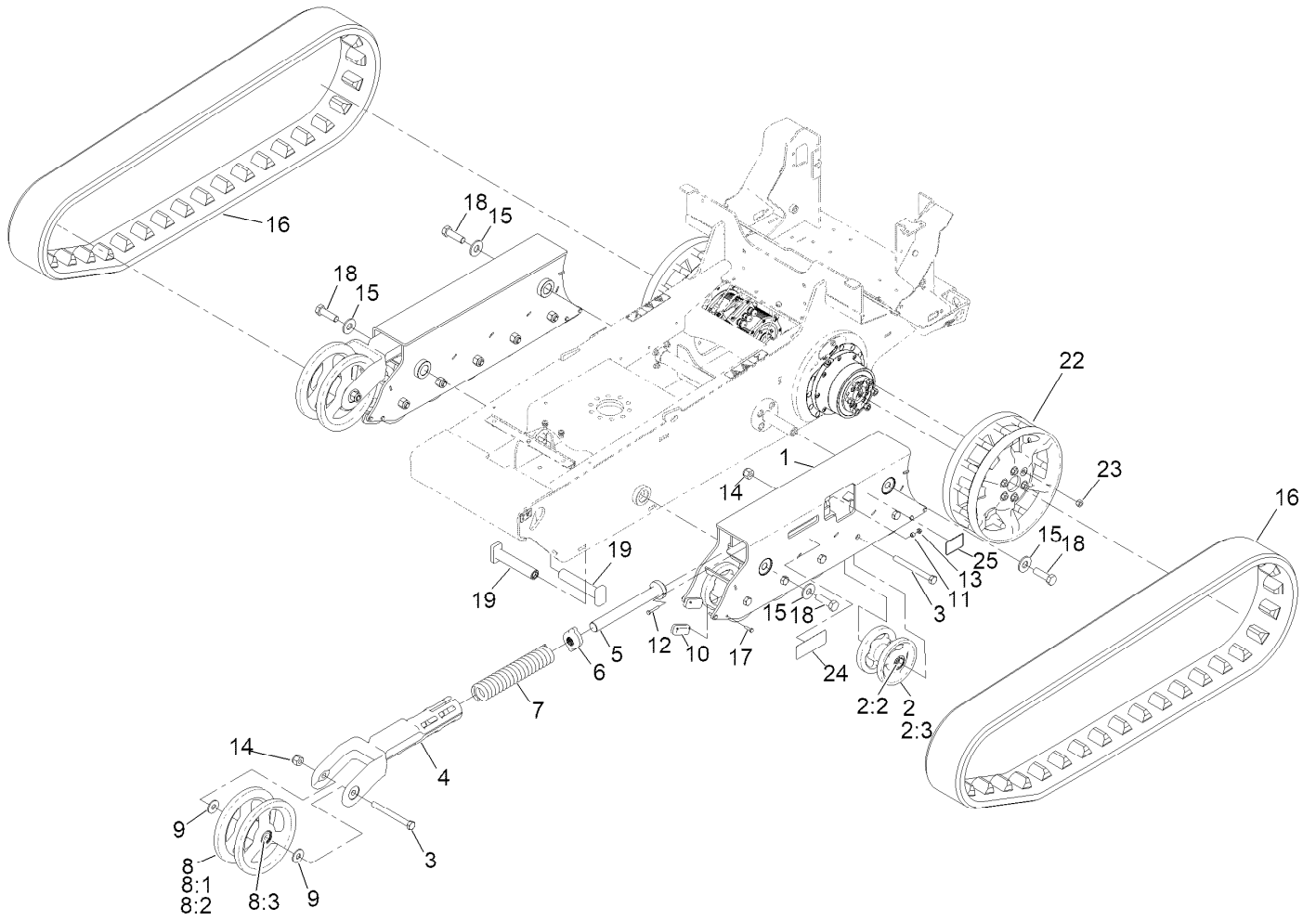
Tower and Hood Assembly



Tower and Hood Assembly (continued)

<i>Ref.</i>	<i>Part Number</i>	<i>Qty.</i>	<i>Description</i>	<i>Ref.</i>	<i>Part Number</i>	<i>Qty.</i>	<i>Description</i>
1	161-5537-05	1	Tower, ASM [blk-Txt]	18	142-7097	8	Screw
2	163-2670	1	Panel-LH ASM, High Lift	19	138-9753	23	Screw
2:4	161-5515	1	Decal-E2500Thl	20	109-4872	26	Screw-HSH
2:5	145-1175	1	Decal-Service, Shut-Off	21	99-7203	1	Screw-HH
2:6	145-1172	1	Decal-Hypercell	22	119-4042	5	Nut-HF, NI
2:7	163-4474	1	Decal-Service	23	93-6083	2	Screw-HWH
3	163-2671	1	Panel-RH ASM, High Lift	24	120-4654	1	Screw-HHF
3:4	161-2443	1	Decal-Charging	25	104-7201	3	Nut-HF, NI
3:5	161-5515	1	Decal-E2500Thl	26	3234-47	2	Screw-HHF
3:6	145-1172	1	Decal-Hypercell	27	119-4041	8	Nut-HF
4	161-9520	1	Panel-Dash	28	48-9220	2	Washer-Flat
5	161-5547-05	1	Cover-Tower, Charger	29	3231-22	4	Screw-CARR
6	161-5566-05	1	Panel-Tower, LH Closeoff	30	110-5090	1	Grommet
7	161-5567-05	1	Panel-Tower, RH Closeoff	31	137-9294	3	Stud-Special
8	161-9522-05	1	Panel-Tower, Front	32	3234-29	4	Screw-HHF
9	161-7573-05	1	Bracket-Mount, Door	33	137-3061	3	Bolt-CARR
10	161-9546	1	Hinge ASM, Charge Door	34	133-0081	5	Strip-Foam
11	161-7571-01	1	Door-Cord Storage	35	3218-1	1	Nut-Jam
12	161-9556-05	1	Bracket-Battery Strap	36	163-4430	1	Bracket-Latch Catch
13	161-9542-05	1	Bracket-Pad	37	130-8451	8	Rivet-Trifold
14	161-3555	1	Pad-Thigh	38	104-7050	1	Tube-Manual
14:1	161-3554	1	Cover Pad	39	104-7048	1	Cap-Housing
15	240-5	1	Grommet	40	107-1865	2	R-Clamp
16	163-4429	1	Latch-Push Button	41	1-807512	2	Bolt-CARR
17	112-3306	26	Nut	43	100-4627	2	Reflector

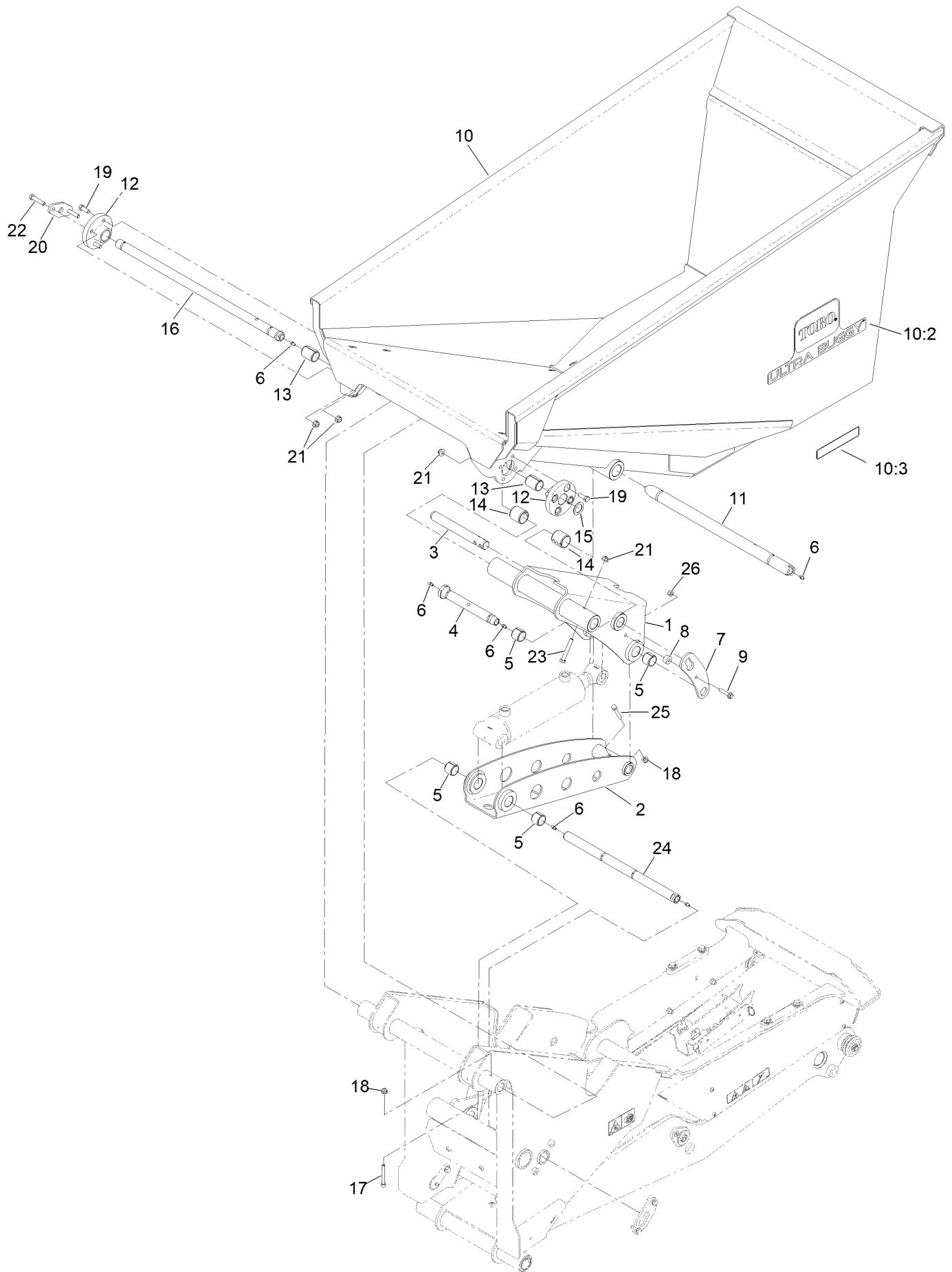
Track Assembly



Track Assembly (continued)

<i>Ref.</i>	<i>Part Number</i>	<i>Qty.</i>	<i>Description</i>	<i>Ref.</i>	<i>Part Number</i>	<i>Qty.</i>	<i>Description</i>
1	163-7941	1	Frame-Track, LH	11	98-4799	2	Spacer
2	138-5231	10	Wheel ASM	12	321-37	2	Screw-HH
2:2	138-0547	2	Bearing-Ball	13	32128-32	2	Nut-HHF
2:3	130-7564	1	Spacer-Wheel	14	3296-24	12	Nut-Hex
3	327-17	12	Screw-HH	15	99-2659	4	Washer
4	108-4691-05	2	Arm-Tensioner, [blk-Txt]	16	136-5846	2	Electric Ultra Buggy Track
5	127-9563	2	Bolt-Tensioner	17	321-6	16	Screw-HH
6	108-4664	2	Block-Tensioner	18	328-2	4	Screw-HH
7	95-3624	2	Spring-Compression	19	163-7909	2	Pin-Track
8	104-5745	2	Tensioner Wheel ASM	22	163-7930-05	2	Wheel-Drive, Buggy [blk-Txt]
8:1	104-5747-03	1	Wheel-Tensioner	23	104-9914	12	Nut-Hex
8:2	98-9835	1	Spacer-Wheel, Tensioner	24	139-7201	2	Decal-Warning, Bystanders
8:3	120-5378	2	Bearing-Ball	25	139-7709	2	Decal-Water Level
9	3256-7	4	Washer-Flat				
10	132-6053	8	Block-Track				

Tub Assembly



Tub Assembly (continued)

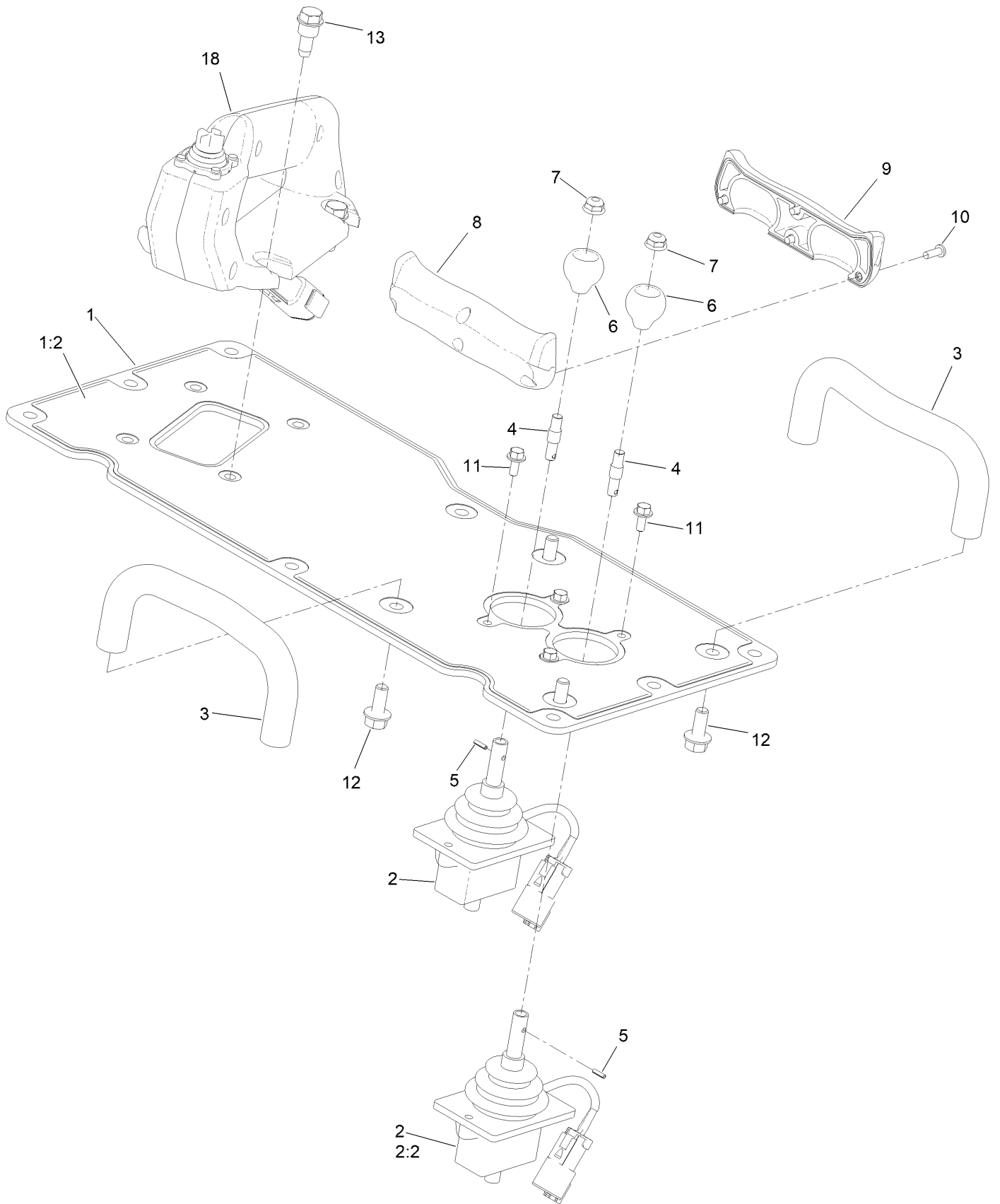
<i>Ref.</i>	<i>Part Number</i>	<i>Qty.</i>	<i>Description</i>	<i>Ref.</i>	<i>Part Number</i>	<i>Qty.</i>	<i>Description</i>
1	161-9511-05	1	Link-Dump, Hopper [blk-Txt]	13	130-5200	2	Bushing-Spring
2	161-3343-05	1	Link-Dump, Frame [blk-Txt]	14	139-5737	2	Bushing-Spring
3	161-5500	1	Shaft-1.0 DIA X 8.18 Long,Zn	15	10-8110	1	Washer-Thrust
4	161-3391	1	Shaft-1.0 DIA X 7.34 Long	16	161-3389	1	Shaft-1.25 DIA X 25.14 Long, Zn
5	98-4871	4	Bushing-Tension	17	3274-40	1	Screw-HSH
6	302-5	8	Fitting-Grease	18	119-4041	2	Nut-HF
7	163-4498-05	1	Retainer-Pin	19	135-7915	6	Screw-HH,
8	132-9064	1	Bushing-Brake	20	161-9598-05	1	Plate-Bushing Retainer
9	115-1794	1	Screw-HHF	21	119-4042	9	Nut-HF, NI
10	137-9290	1	Hopper ASM	22	323-52	2	Screw-HH
10:2	161-2909	2	Decal-Tub, Ultra Buggy	23	323-47	1	Screw-HH
10:3	115-4858	2	Decal-Danger	24	163-2660	1	Shaft-ASM, Dump
11	161-9586	1	Pin-	25	322-10	1	Screw-HH
12	132-9075	2	Hub-Mount, Track	26	3296-29	1	Nut-Lock, NI

Electrical Assembly (continued)

<i>Ref.</i>	<i>Part Number</i>	<i>Qty.</i>	<i>Description</i>	<i>Ref.</i>	<i>Part Number</i>	<i>Qty.</i>	<i>Description</i>
1	161-5579-05	1	Bracket-Mount, Electrical	33:1	117-3207	2	Nut-Hex ●
2	122-2594	1	Contactora-48V	33:2	117-3208	2	Washer-Lock, Internal Tooth ●
3	138-8984	1	Inv/Ctrlr-48V, Dual 94Arms	34	112-9421	1	Switch
4	145-4958	2	Holder-Fuse	35	09718	16	Screw-Sh
4:1	3253-4	2	Washer-Lock ●	36	3234-29	2	Screw-HHF
4:2	3256-74	4	Washer-Flat ●	37	119-4041	3	Nut-HF
4:3	33014-00	4	Nut-Hex ●	38	32144-86	4	Screw-HWHTF
5	137-9288	1	Panel-Instrument	39	93-6083	2	Screw-HWH
5:2	147-9721	1	Decal-Display Panel	40	122-2719	1	Switch-Rocker, On-None-(On)
6	122-1201	1	Module-Display	41	112-3324	1	Switch-Horn
7	136-9678	3	Cable Assy-Pushbutton	42	112-3313	1	Nut-Weatherproof
8	122-2513	1	Switch-Ignition, Suns	43	112-9621	1	Battery-Wet, 12V 9Ah, Sealed W/Hrdwr
8:1	121-5160	1	Nut-Hex	44	116749	1	Horn
8:2	122-2704	1	Nut-Face, M22 (Plastic)	45	122-3200	1	Relay
8:3	121-5162	1	Set-Key, Ignition	47	122-3658	1	Harness-Wire,DC Aux
9	122-0603	1	Switch-Disconnect	48	3290-378	3	Tie-Cable
9:1	33006-00	1	Nut-HF	49	119-0011	1	Pressure Transducer ASM
10	122-2959	1	Fuse-350A	49:1	237-78	1	O-Ring ●
11	122-2559	1	Fuse-100 Amp	50	122-3691	1	Harness-Wire, Extension
12	138-9753	10	Screw	51	105-2409	2	Screw-HSH
13	145-5782	8	Screw-Sems	52	363-8289	2	Scr,TAP,6-19X7/16,Phph,Stl,Rohs
15	163-2672	1	Controls ASM, E2500Thl	53	3290-378	1	Tie-Cable
16	163-4401	2	Motor/Gearbox ASM-48V 3Kw 41:1 Rdctn	54	3290-379	1	Tie-Cable
16:1	147-9107	1	Cassette Seal Ring ●	55	100-4351	7	Screw-HWH
17	122-3106	1	Harness-Wire, Main	56	122-3656	1	Harness-Wire, AC In
18	122-3109	1	Cable-Battery, Rd ASM	57	122-4099	1	Harness-Wire, Inlet, 60309
19	122-3111	1	Cable-Battery, Rd ASM	58	122-3659	1	Harness-Wire,DC Out
20	122-3107	1	Cable-Battery, Rd ASM	59	60-6910	2	Screw-HH
21	122-3108	1	Cable-Battery, Rd ASM	60	120-4580	2	Nut-HF
22	122-3120	1	Cable-Battery, Bk ASM	63	126-7839	1	Light-LED
23	122-3121	1	Cable-Battery, Rd ASM	64	119-4330	1	Isolated Can Module ASM
24	122-3118	1	Cable-Battery, Bk ASM	65	161-5516	1	Decal-Electrical
25	122-4194	1	Cable-Battery, Rd ASM	71	122-3491	1	Cable-Assembly, Charger
26	122-4195	1	Cable-Battery, Rd ASM	72	163-4491	1	Strap-Cable, Cap
27	122-4196	1	Cable-Battery, Rd ASM	73	3234-47	1	Screw-HHF
28	122-4197	1	Cable-Battery, Rd ASM	74	108-3153	4	Screw-HSBH
29	122-4198	1	Cable-Battery, Rd ASM	75	120-4578	4	Nut-HF
30	122-4199	1	Cable-Battery, Rd ASM	76	103-9511	16	Nut-Flg
31	122-3119	1	Cable-Battery, Bk ASM				
32	122-3110	1	Cable-Battery, Rd ASM				
33	139-7238	3	Sensor-Proximity, N.O.				

● Not illustrated

Control Assembly No. 163-2672

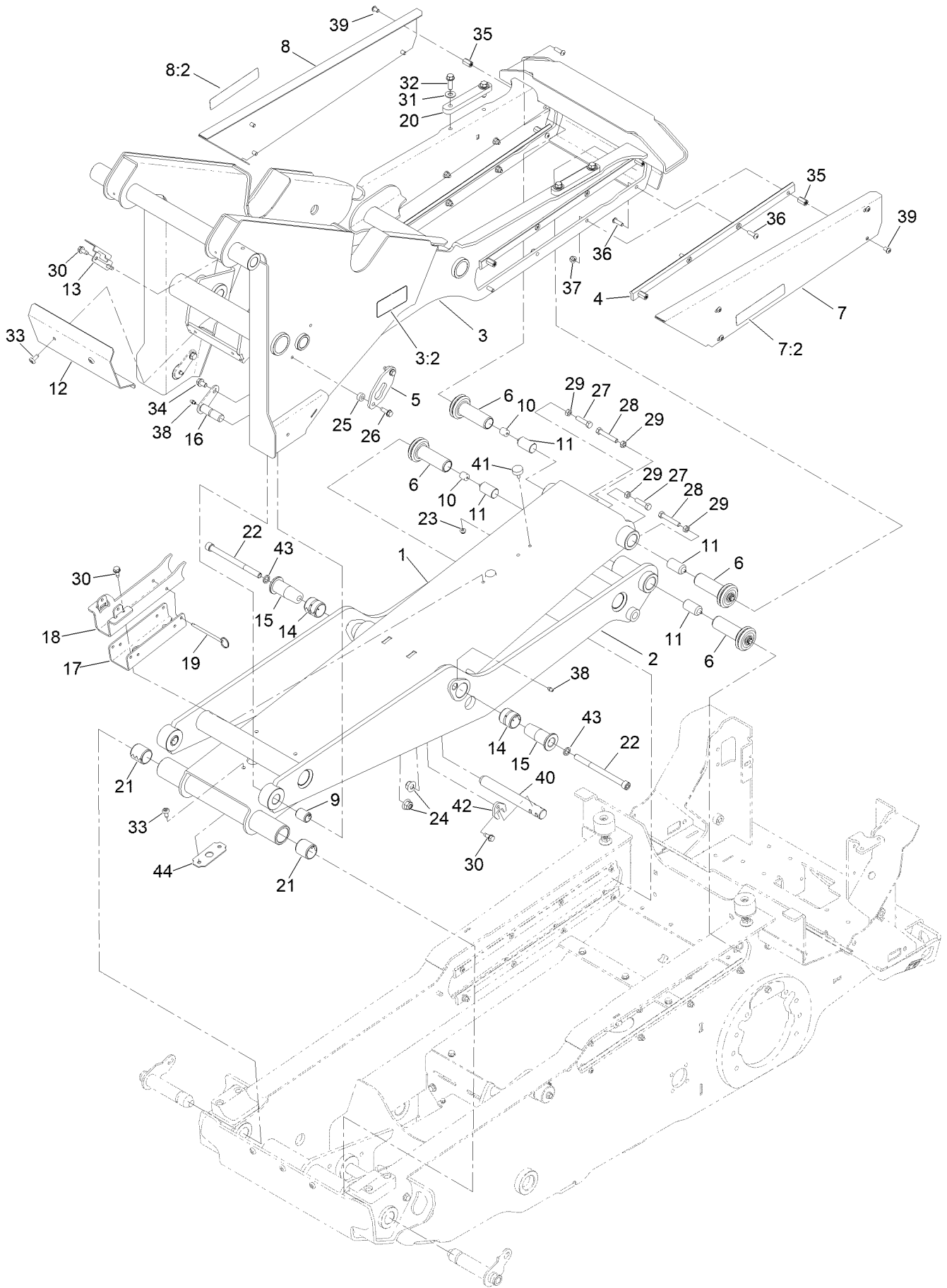


Control Assembly No. 163-2672 (continued)

<i>Ref.</i>	<i>Part Number</i>	<i>Qty.</i>	<i>Description</i>
1	163-2653	1	Plate-Controls, E2500Thl
1:2	147-9720	1	Decal-Controls, E2500Thl
2	136-4784	2	Lever-Control
2:2	136-4894	1	Kit-Rtn,
3	138-4693	2	Bar-Reference
4	137-0431	2	Shaft-Handle
5	137-0432	2	Pin-Roll
6	130-7723	2	Ball-Traction

<i>Ref.</i>	<i>Part Number</i>	<i>Qty.</i>	<i>Description</i>
7	104-7201	2	Nut-HF, NI
8	139-1167	1	Handle-Rear
9	139-1166	1	Handle-Front
10	94-6961	4	Screw
11	120-4579	4	Screw-HHF
12	3234-5	4	Screw-HHF
13	115-1958	4	Bolt-Shoulder
18	163-4409	1	Grip-Assembly

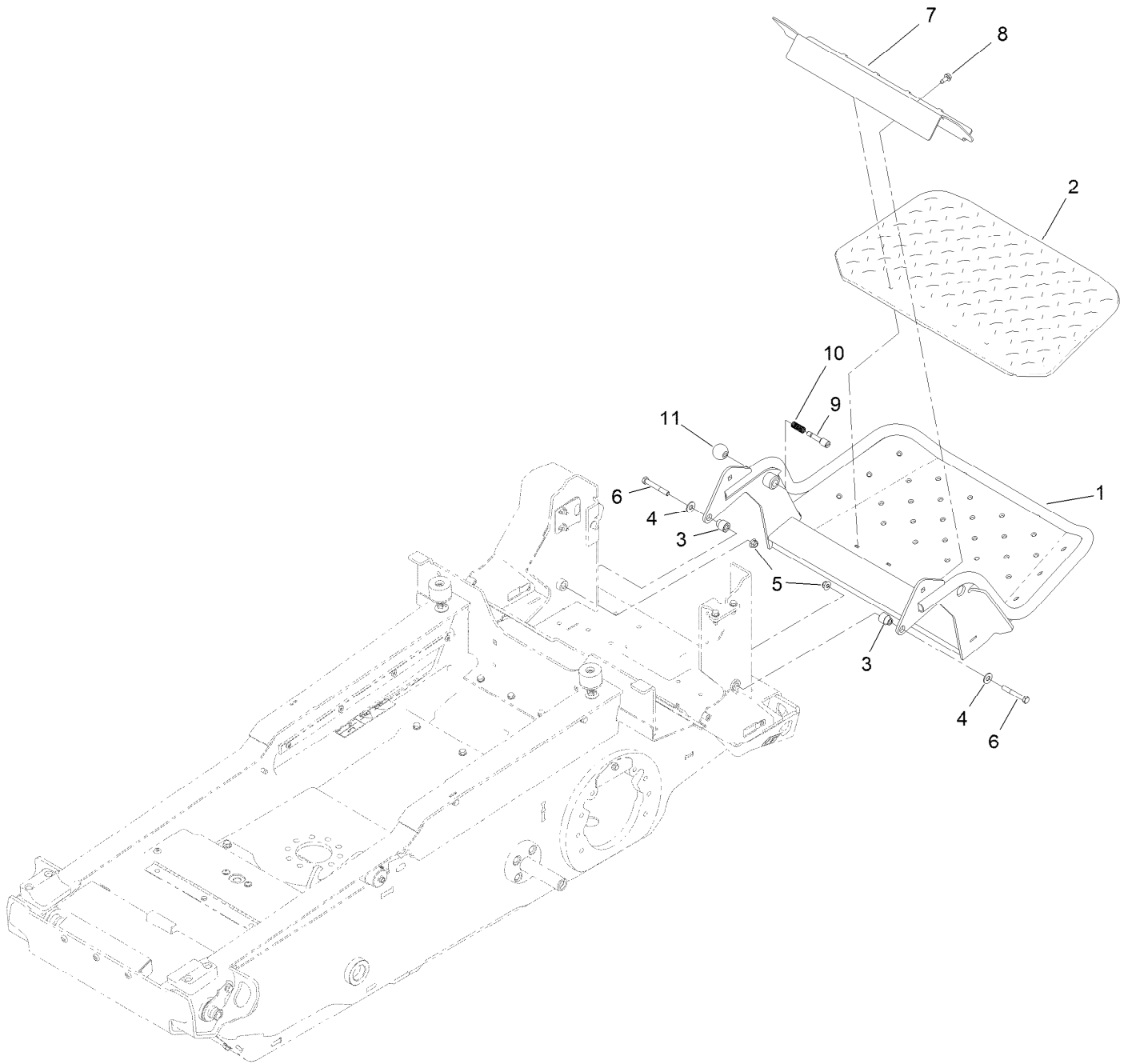
Lift Assembly



Lift Assembly (continued)

<i>Ref.</i>	<i>Part Number</i>	<i>Qty.</i>	<i>Description</i>	<i>Ref.</i>	<i>Part Number</i>	<i>Qty.</i>	<i>Description</i>
1	147-9741-05	1	Link-Pivot, Scissor [blk-Txt]	22	161-9597	2	Screw-HSH,Spl
2	161-3322-05	1	Frame-High Lift, Scissor [blk-T	23	104-7201	2	Nut-HF, NI
3	137-9291	1	Lift Frame ASM	24	142-7784	2	Nut-HF, NI
3:2	125-4959	2	Decal-Warning, Crushing	25	140-3461	2	Spacer
4	163-4420	4	Guide-Track, Roller	26	701243	2	Screw-Thd Roll, HWH
5	161-7594-05	1	Retainer-Pin	27	323-50	2	Bolt-HH
6	163-4404	4	Guide Wheel Assy	28	104-3396	2	Screw-HH
7	137-9292	1	Roller Cover ASM, LH	29	3217-7	4	Nut-Hex
7:2	115-4858	1	Decal-Danger	30	32144-11	5	Screw-HWH
8	137-9293	1	Roller Cover ASM, RH	31	3256-4	4	Washer-Flat
8:2	115-4858	1	Decal-Danger	32	32144-109	4	Screw-Thd
9	161-3312	2	Bushing-Spring	33	138-9753	2	Screw
10	161-3378	2	Bumper	34	32144-15	2	Screw-HHFTF
11	161-3379	4	Shaft-Guide Roller, Plunger	35	161-8080	8	Standoff-Hex
12	161-9510-05	1	Bracket-Light	36	109-4872	16	Screw-HSH
13	161-7572-05	1	Bracket-Sensor, Prox	37	119-4041	10	Nut-HF
14	147-6875	2	Bushing-Spring	38	302-5	4	Fitting-Grease
15	161-9585	2	Pin-Taper	39	131-1884	8	Screw-HSBH,Patch
16	120-5575	2	Pin	40	161-5500	1	Shaft-1.0 DIA X 8.18 Long,Zn
17	161-7570-05	1	Bracket-Mount, Locking Arm	41	138-2662	2	Bumper-Rubber
18	163-7916	1	Arm-Locking	42	137-9285-05	1	Retainer-Pin
19	161-7595	1	Pin-Cotterless	43	62-7120	2	Washer
20	163-2685	2	Stop-Hopper	44	161-7588-05	1	Bracket-Prox Sensor
21	139-5737	2	Bushing-Spring				

Platform Assembly



Platform Assembly (continued)

<i>Ref.</i>	<i>Part Number</i>	<i>Qty.</i>	<i>Description</i>	<i>Ref.</i>	<i>Part Number</i>	<i>Qty.</i>	<i>Description</i>
1	161-6796-05	1	Platform ASM [blk-Txt]	7	136-5669-05	1	Clamp-Shield
2	126-7157	1	Mat-Platform	8	32144-70	2	Screw-HWHTF
3	132-7583	2	Bushing-Flanged	9	119-8650	1	Pin-Latch
4	3256-4	2	Washer-Flat	10	114-5348	1	Spring
5	119-4042	2	Nut-HF, NI	11	1-603175	1	Knob-Ball
6	323-13	2	Screw-HH				

Attachments and Accessories

For 68142 — Ultra Buggy e2500-THL

Product Name	Model/Part
Charger Cable Assembly	122-3489
Charger Cable Assembly	122-3490
Charger Cable Assembly	122-4204
Brush Kit	163-4400
SAE J1772 Charging Kit	163-7922
IEC 62196 Charging Kit	163-7924
CE Kit	163-7932
Toro Red 12oz Aerosol Can	361-10
New Red Paint - Gallon	361-11
Semi-Gloss Black Spray Paint	361-9

Notes:

Notes:

Notes:



Count on it.