



Count on it.

Parts Catalog

**Greensmaster® eTriFlex 3360
Traction Unit**

Model No. 04580—Serial No. 418200000 and Up



Ordering Replacement Parts

To order replacement parts, please supply the part number, the quantity, and the description of each part desired.

Understanding Reference Numbers

Each identified part in an illustration has a reference number. The reference number for a part also appears in the parts list, along with other information about the part.

This catalog uses two special reference number formats, one to indicate parts in a service assembly and another to indicate the quantity of a given part in an illustration.

Service Assembly Reference Numbers

Parts in service assemblies have reference numbers in the form a:b. The a represents the reference number of the entire service assembly and the b represents a sequential number unique to each part within the service assembly.

For example, a wheel assembly might be identified by reference number 6, the tire by 6:1, the valve by 6:2, and the wheel by 6:3. When you order the assembly identified by reference number 6, you receive all parts identified by reference numbers 6:1, 6:2, and 6:3. However, you may also order any part individually. Reference numbers of this type appear in illustration and in parts lists.

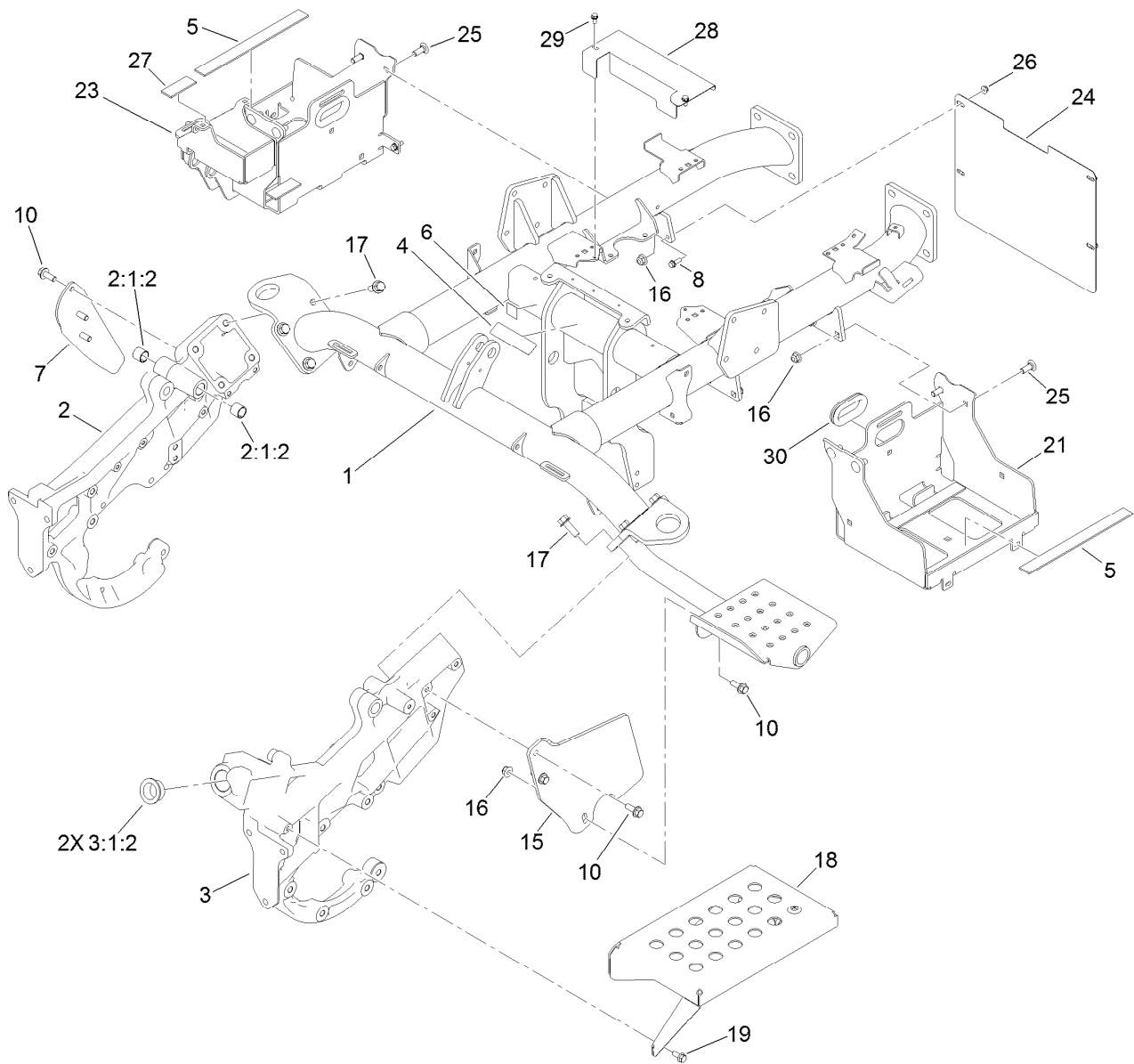
Reference Numbers Indicating Quantity

In an illustration, if a reference number indicates more than one part, the reference number has the form nX y. The n represents the quantity of the part, the X is the multiplication symbol, and the y represents the reference number.

For example, in an illustration, the reference number 2X 37 means that two of the parts identified by reference number 37 are indicated.

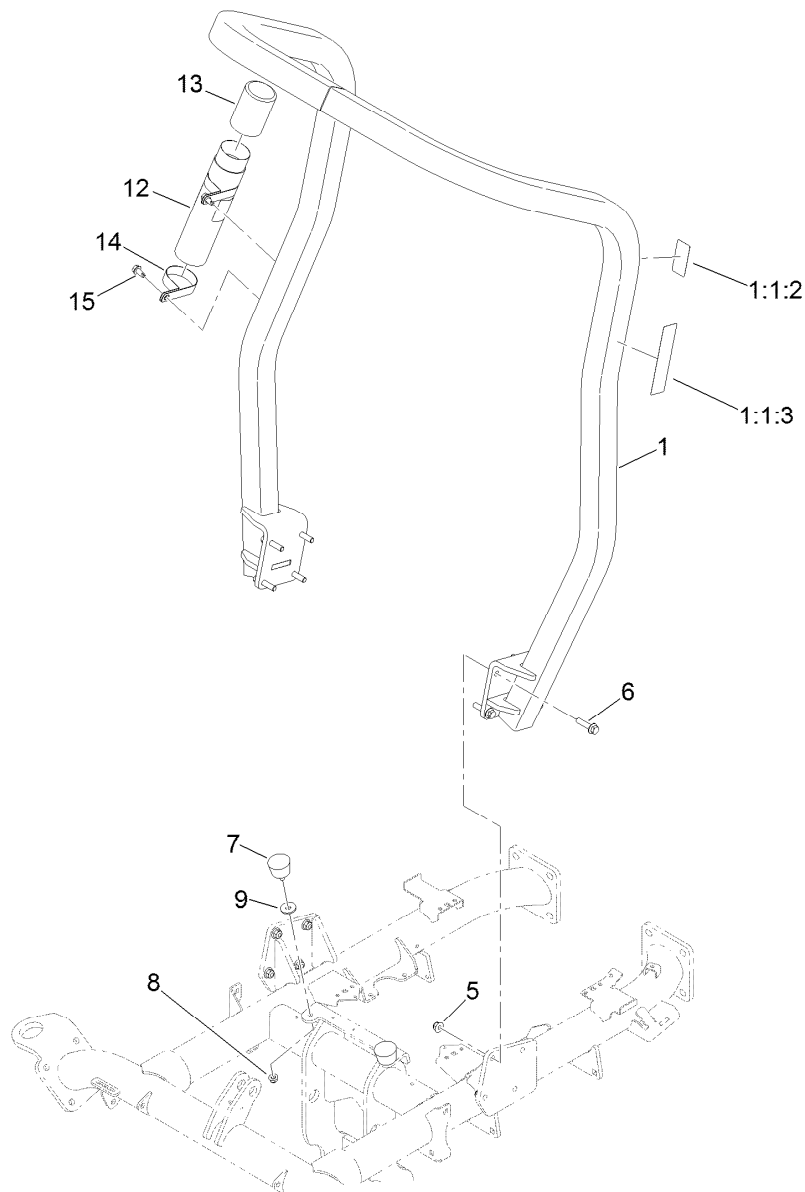
Contents

Frame Assembly.....	4
ROPS Assembly.....	5
Platform Assembly.....	6
Traction Pedal Assembly.....	7
Brake Pedal Assembly.....	8
Brake Actuator Assembly.....	9
Brake Rod Assembly No. 137-2185.....	10
Steering Assembly.....	11
Wheel and Tire Assembly.....	12
Wheel Spindle Assembly No. 119-4490.....	13
Console Assembly.....	14
Joystick Bracket Assembly No. 120-5280.....	15
Seat Plate Assembly.....	16
Engine Assembly.....	17
Generator/Controller Assembly No. 127-2580.....	20
Generator Assembly No. 127-2579.....	22
Generator Service Assembly No. 127-2578.....	24
Traction Assembly.....	26
RH Wheel Motor Assembly No. 139-8565.....	27
Gearbox Assembly No. 127-1529.....	28
LH Wheel Motor Assembly No. 139-8567.....	29
Lift Assembly.....	30
Suspension, Reel Motor and Basket Assembly.....	31
Electric Reel Motor Assembly.....	32
Basket Assembly No. 132-9599.....	33
Suspension Pin Position Assembly.....	34
Fuel Tank and Hood Assembly.....	35
Hood Assembly No. 139-8316.....	36
Electrical Assembly.....	37
Wire Harness Assembly No. 122-1921.....	39
Controller Assembly.....	40
Battery Assembly.....	42
Suspension A-Arm Assembly.....	44
Suspension Crossarm Assembly.....	45
Attachments and Accessories.....	46



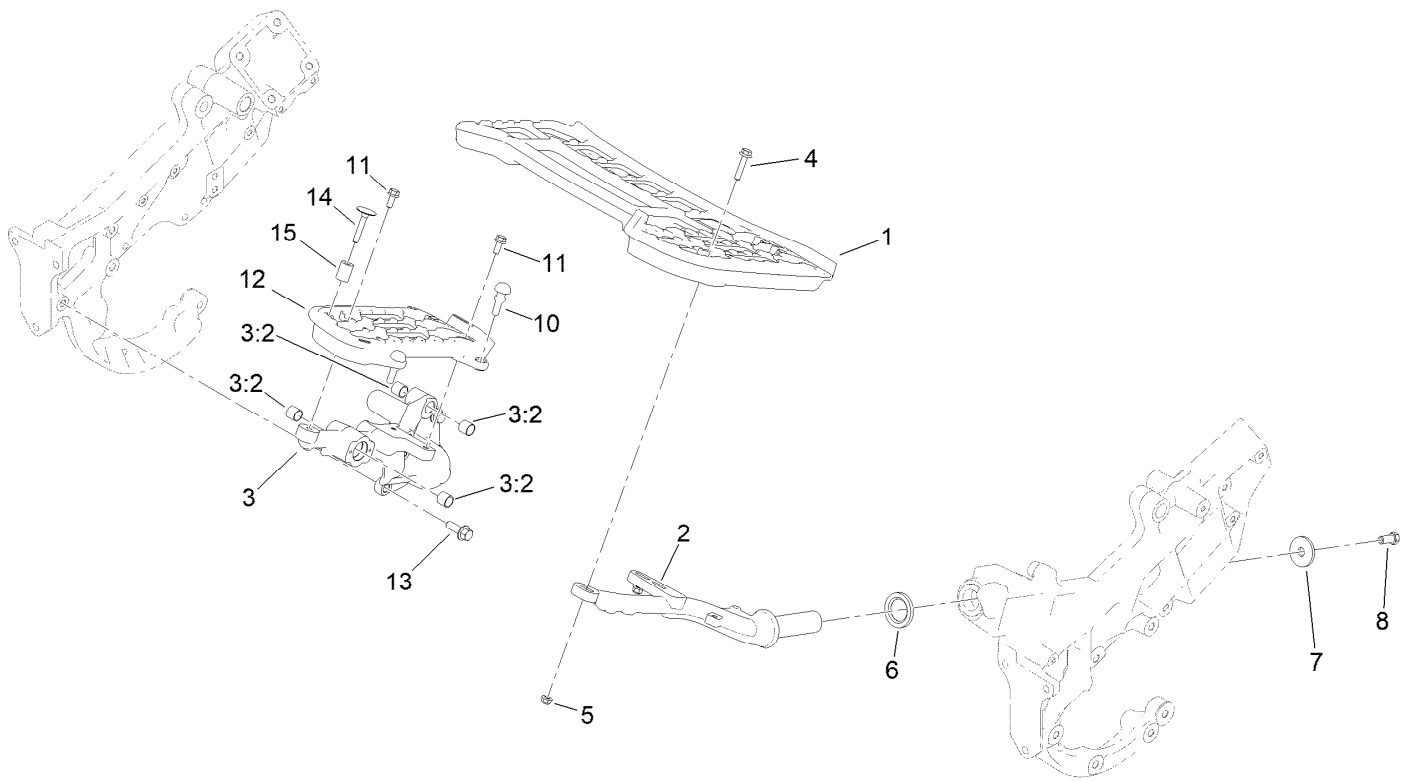
Frame Assembly

Ref.	Part Number	Qty.	Description	Ref.	Part Number	Qty.	Description
1	139-8585SP	1	Frame ASM	17	117-9035	8	Screw-HHF
2	139-8318	1	Side Casting, RH	18	132-9994-01	1	Step
2:1:2	94-9609	2	Bushing-Straight	19	3234-47	4	Screw-HHF
3	139-8319	1	Side Casting, LH	21	137-7972-01	1	Tray-Battery
3:1:2	60-0080	2	Bushing	23	137-7797-01	1	Tray-Battery, RH
4	133-8062	1	Decal-Spark Arrestor	24	137-7799-01	1	Shield-Heat
5	133-5782	4	Strip-Foam	25	3231-22	8	Screw-CARR
6	138-9470	1	Decal-Markings, CE-Uk	26	104-7201	4	Nut-HF, NI
7	133-0062-01	1	Bracket-Jack	27	133-0081	2	Strip-Foam
8	115-5103	4	Screw-HHF	28	139-8571-03	1	Cover-Pulley
10	3234-42	6	Screw-HHF	29	32144-4	2	Screw-HWH
15	133-0004-01	1	Bracket-Step	30	240-12	2	Grommet-Rubber
16	104-8301	9	Nut-HF, NI				



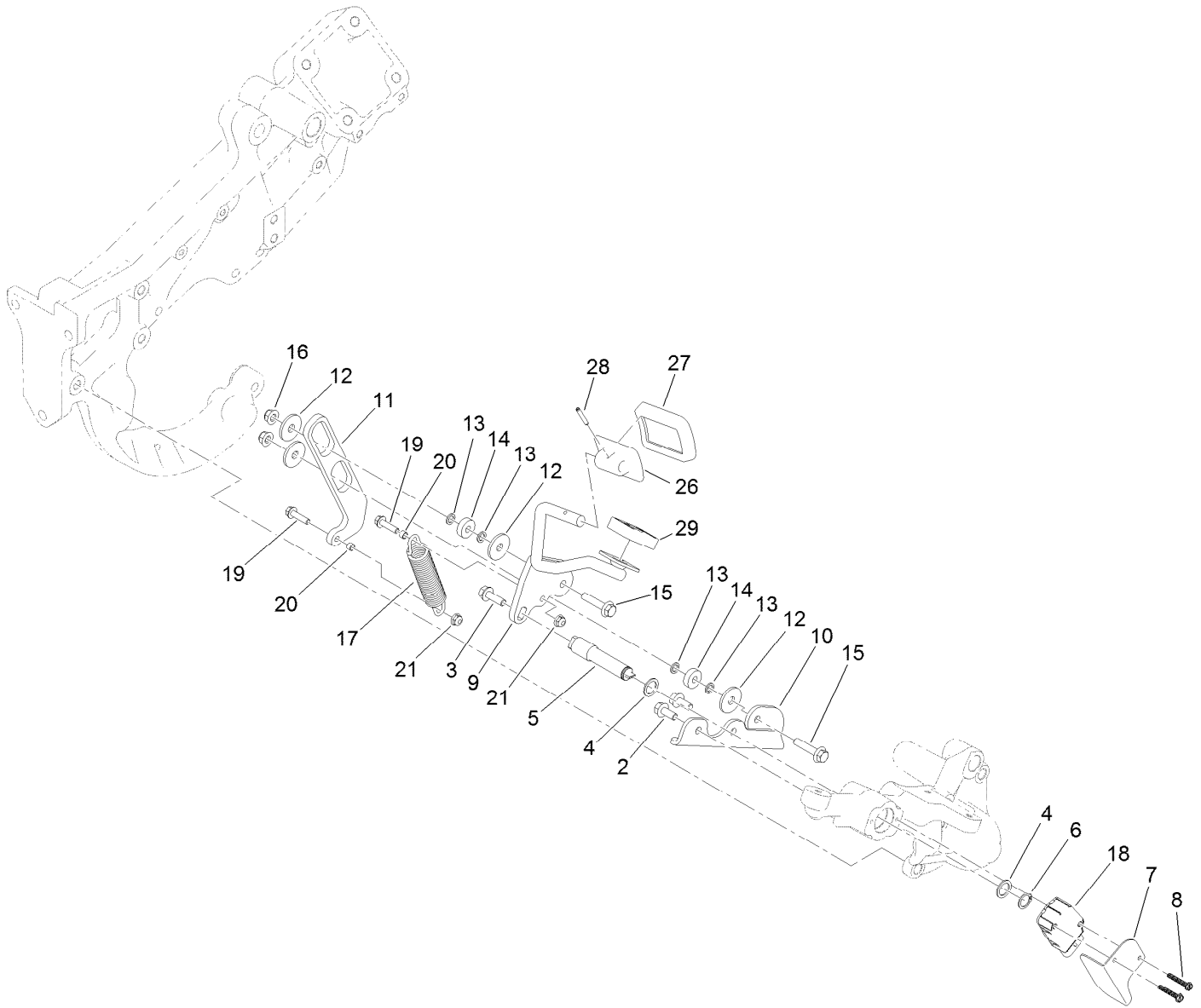
ROPS Assembly

<i>Ref.</i>	<i>Part Number</i>	<i>Qty.</i>	<i>Description</i>
1	139-8311	1	ROPS ASM
1:1:2	115-8199	1	Decal-ROPS
1:1:3	115-8226	1	Decal-ROPS
5	104-8301	8	Nut-HF, NI
6	137-7951	8	Screw-HHF
7	68-3270	2	Bumper-Rubber
8	104-8300	2	Nut-HF, NI
9	52-2861	2	Washer
12	104-7050	1	Tube-Manual
13	104-7048	1	Cap-Housing
14	2412-133	2	Clamp-R
15	32104-32	2	Screw-HWH



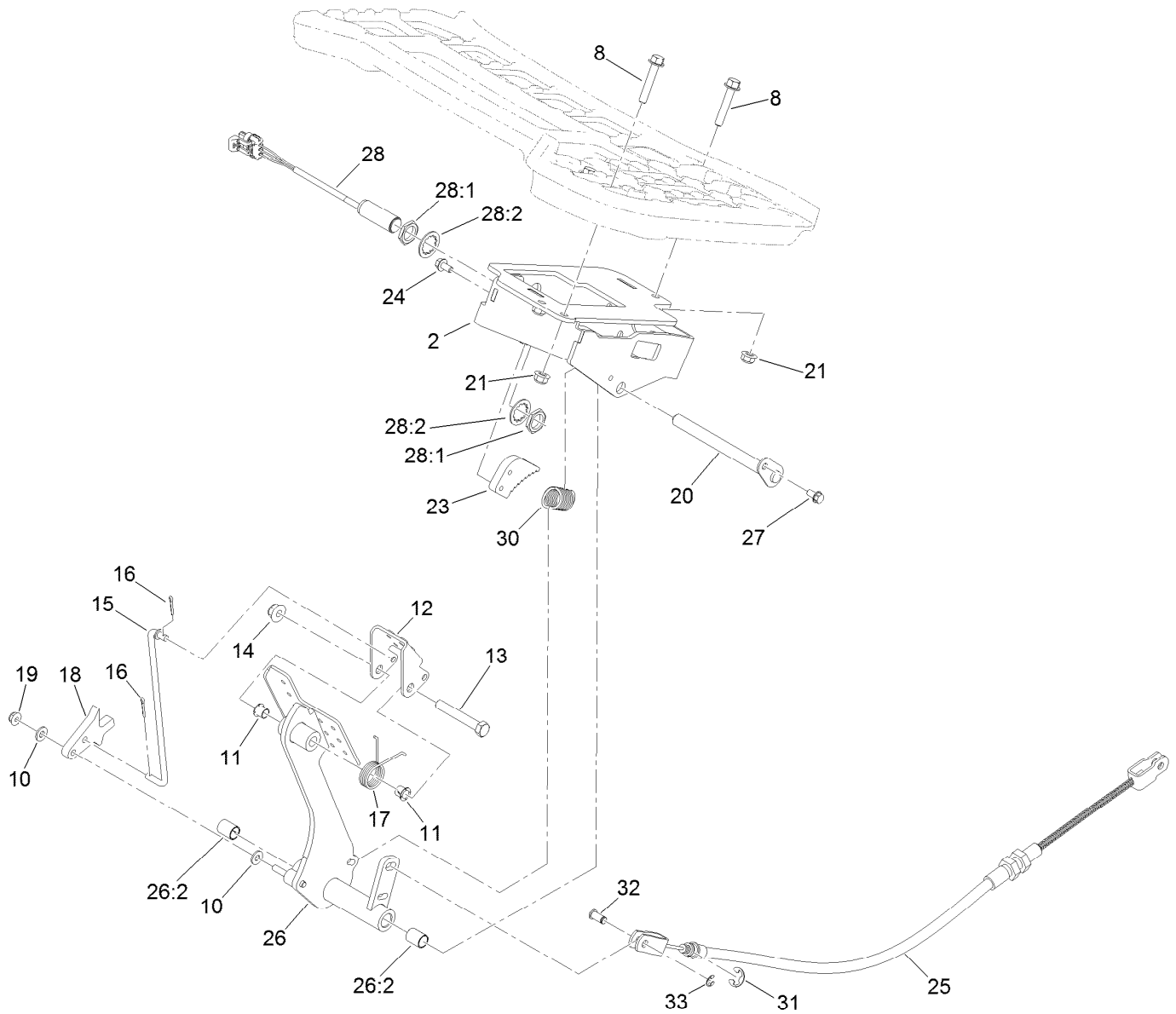
Platform Assembly

Ref.	Part Number	Qty.	Description
1	137-7768	1	Platform-LH
2	139-8575-01	1	Support-Platform, LH (Mach)
3	132-9895	1	Support-Platform, RH
3:2	256-311	4	Bushing
4	115-1794	3	Screw-HHF
5	104-8300	3	Nut-HF, NI
6	94-8946	1	Washer-Thrust
7	84-1560	1	Washer-Thrust
8	324-4	1	Screw-HH
10	117-9072	2	Bumper-Rubber
11	3234-47	3	Screw-HHF
12	117-9008	1	Platform-RH
13	117-9035	3	Screw-HHF
14	115-8240	1	Screw-Elevator
15	119-0718	1	Spacer



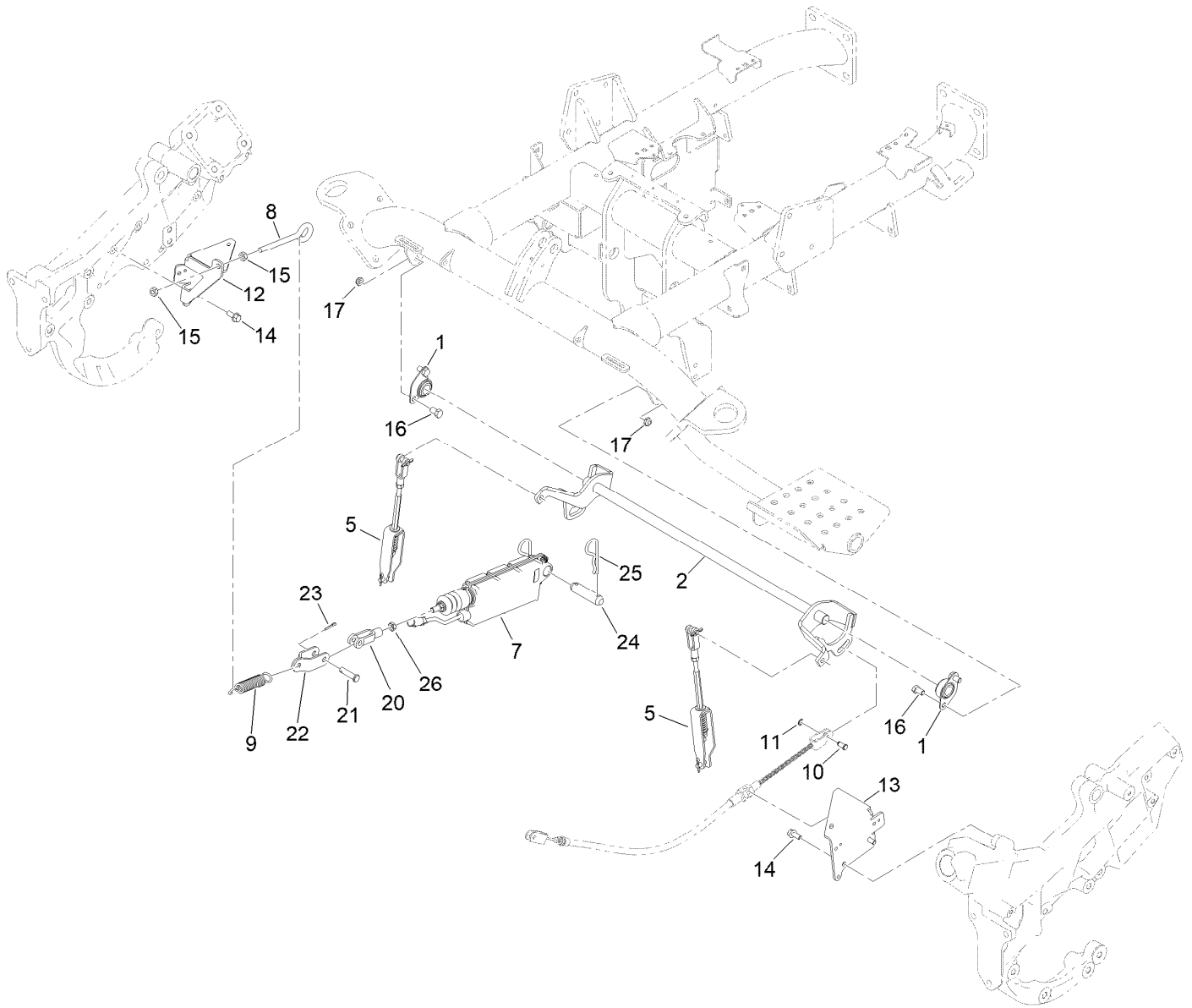
Traction Pedal Assembly

Ref.	Part Number	Qty.	Description	Ref.	Part Number	Qty.	Description
2	98-9940	2	Screw-HHF	14	251-259	2	Bearing-Ball
3	115-5142	1	Screw-HHF, Patch	15	115-1794	2	Screw-HHF
4	7-3590	2	Washer	16	104-8300	2	Nut-HF, NI
5	132-9852	1	Shaft-Pedal	17	137-7944	1	Spring-Extension
6	32151-62	1	Ring-Retaining	18	122-0917	1	Sensor-Position
7	121-7035	1	Shield-Sensor	19	120-4654	2	Screw-HHF
8	692501	2	Screw-SHWH	20	121-2015	2	Spacer
9	137-7814-01	1	Rod-Traction	21	104-7201	2	Nut-HF, NI
10	137-7811-01	1	Bracket-Control, Motion	26	117-9507	1	Pedal-Accelerator
11	145-1063	1	Link-Connecting	27	74-9100	1	Pad-Pedal, Forward
12	107675	4	Washer	28	32121-45	1	Pin-Spring
13	75-5470	4	Spacer-Bearing	29	74-9110	1	Pad-Pedal, Reverse



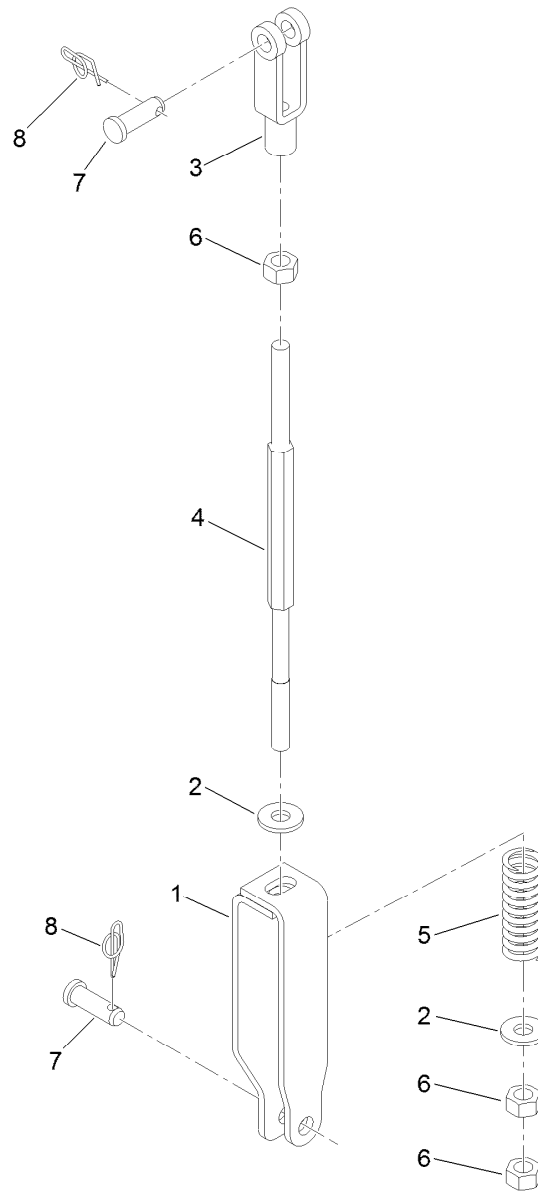
Brake Pedal Assembly

Ref.	Part Number	Qty.	Description	Ref.	Part Number	Qty.	Description
2	132-9890-03	1	Support-Pedal	23	99-7214	1	Pawl-Brake
8	94-5780	3	Screw-HWH	24	119-1065	2	Screw-Lock, HF
10	3256-22	2	Washer-Flat	25	137-7770	1	Cable-Brake
11	52-2891	2	Bushing-Flanged, Nylon	26	137-8109	1	Brake Pedal ASM
12	99-7963-03	1	Pedal-Park	26:2	133-0090	2	Bushing-Split
13	323-12	1	Screw-HH	27	32144-4	1	Screw-HWH
14	104-8301	1	Nut-HF, NI	28	115-5300	1	Sensor, Proximity Sensor ASM
15	115-0129	1	Rod-Pawl, Brake	28:1	117-3207	2	Nut-Hex
16	3272-6	2	Pin-Cotter	28:2	117-3208	2	Washer-Lock, Internal Tooth
17	99-7140	1	Spring-Torsion	30	136-7316	1	Spring-Extension
18	117-0238	1	Detent	31	32120-47	1	Ring-Retaining, External
19	104-7201	1	Nut-HF, NI	32	109-6887	1	Pin-Clevis
20	147-3599	1	Pivot-Pedal	33	701197	1	E-Ring
21	104-8300	3	Nut-HF, NI				



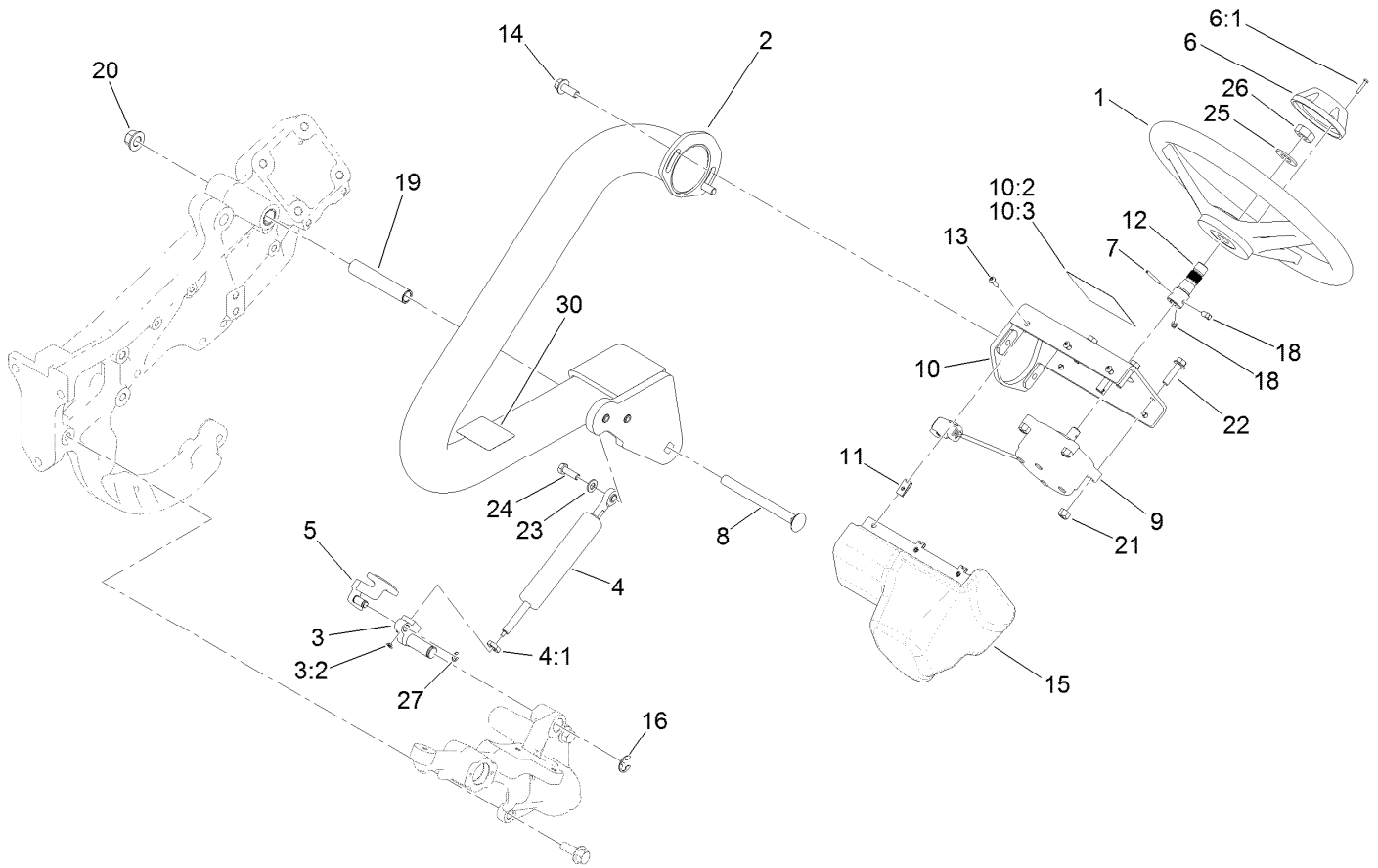
Brake Actuator Assembly

Ref.	Part Number	Qty.	Description	Ref.	Part Number	Qty.	Description
1	1-633102	2	Bearing-Flange, Side	15	3217-7	2	Nut-Hex
2	145-0060-03	1	Cross Shaft-Brake [black]	16	323-34	4	Screw-HH
5	137-2185	2	Brake Rod ASM	17	3296-59	4	Nut-Lock, NI
7	139-8587	1	Actuator-Brake	20	1-633131	1	Yoke-Linkage, Brake
8	137-8026	1	Bolt-Eye	21	283-10	1	Pin-Clevis
9	93-5985	1	Spring-Extension	22	137-7838	1	Link ASM
10	109-6887	1	Pin-Clevis	23	3272-10	1	Pin-Cotter
11	701197	1	E-Ring	24	27-4240	1	Pin-Cylinder
12	137-7790-03	1	Bracket-Spring	25	3290-256	2	Pin-Hair
13	137-7769-03	1	Bracket-Cable	26	3220-3	1	Nut-HJ
14	98-9940	4	Screw-HHF				



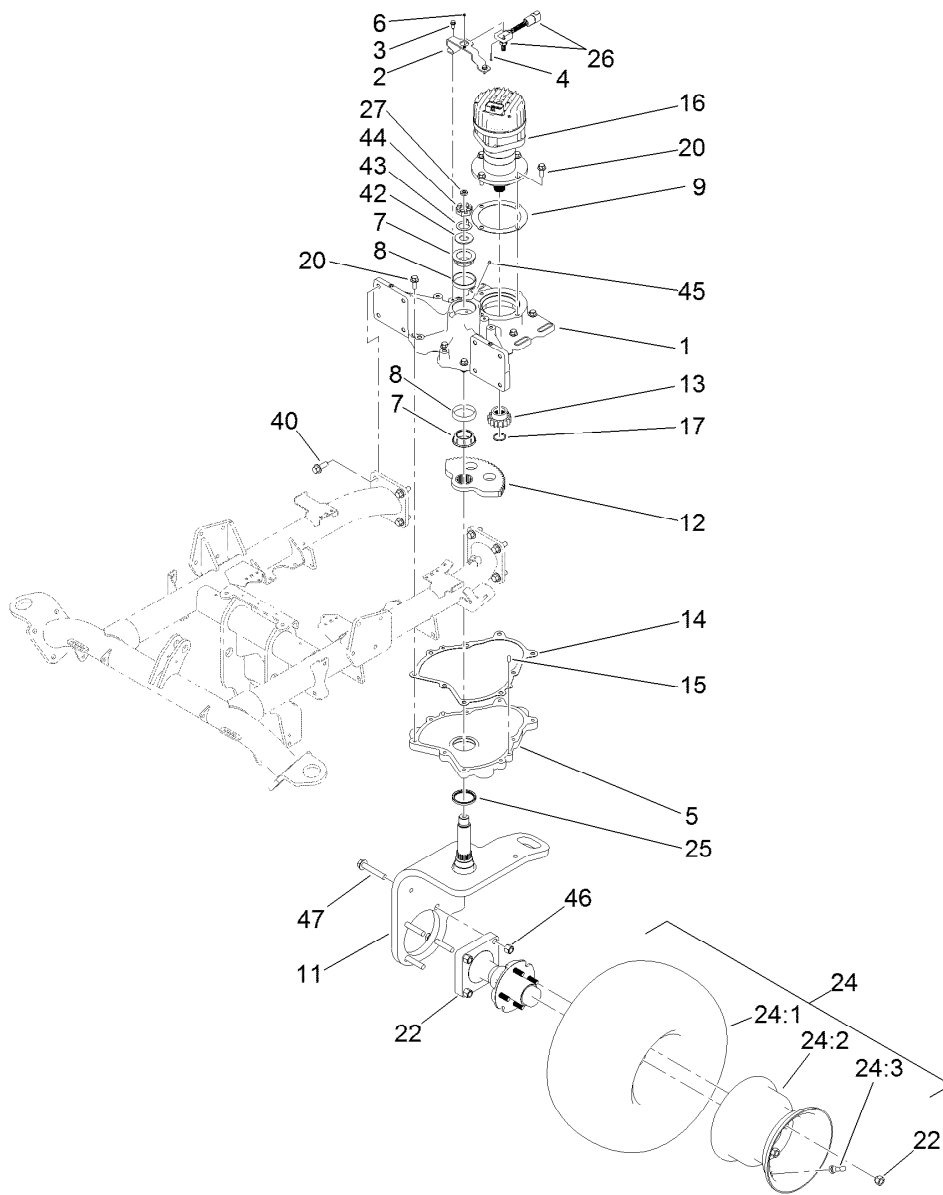
Brake Rod Assembly No. 137-2185

<i>Ref.</i>	<i>Part Number</i>	<i>Qty.</i>	<i>Description</i>
1	137-2180	1	Brake Clevis ASM
2	120-9646	2	Washer-Flat
3	282-2	1	Yoke
4	137-8056	1	Rod-Brake
5	137-8085	1	Spring-Seat, Compression
6	3219-2	3	Nut-Hex
7	283-1	2	Pin-Clevis
8	116-6639	2	Pin-Cotter, Locking



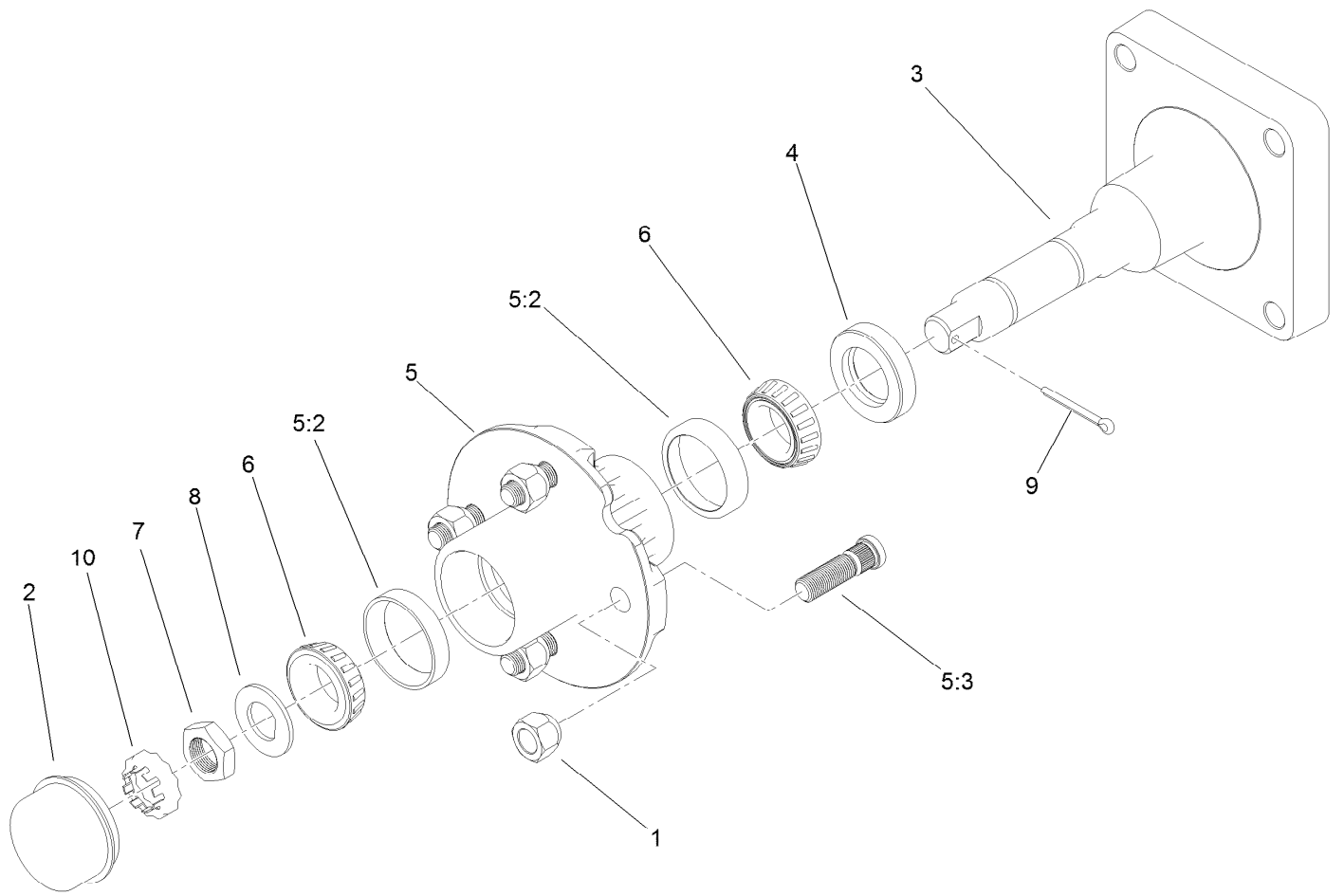
Steering Assembly

<i>Ref.</i>	<i>Part Number</i>	<i>Qty.</i>	<i>Description</i>	<i>Ref.</i>	<i>Part Number</i>	<i>Qty.</i>	<i>Description</i>
1	145-0051	1	Steering Wheel	12	136-4262	1	Shaft-Adapter, Steering
2	145-0093-01	1	Arm-Steering	13	3274-39	6	Screw-HSBH
3	133-9030	1	Pivot Lever ASM	14	3234-42	2	Screw-HHF
3:2	133-8995	1	Bushing	15	119-9300	1	Cover-Valve, Steering
4	133-9036	1	Cylinder-Gas	16	32120-19	1	E-Ring
4:1	112-8617	1	Nut-Hex	18	126-3824	2	Screw-Set, SQH
5	138-6456	1	Lever (Mach)	19	117-9002	1	Spacer
6	68-5140	1	Cap-Wheel, Steering	20	99-5107	1	Nut-HF Nylock
6:1	32144-21	1	Screw	21	3296-29	4	Nut-Lock, NI
7	933156	1	Pin-Roll	22	119-4036	4	Screw-HHF
8	140-7029	1	Screw-CARR	23	3256-23	1	Washer-Plain
9	132-9935	1	Steering Unit	24	322-5	1	Screw-HH
10	137-8092	1	Steering Mount ASM	25	3256-27	1	Washer-Flat
10:2	139-8320	1	Decal-Danger	26	3296-33	1	Nut-Lock, NI
10:3	139-8321	1	Decal-Danger, CE	27	701197	1	E-Ring
11	3290-277	6	Nut-Speed	30	119-9346	1	Decal-Arm, Steering



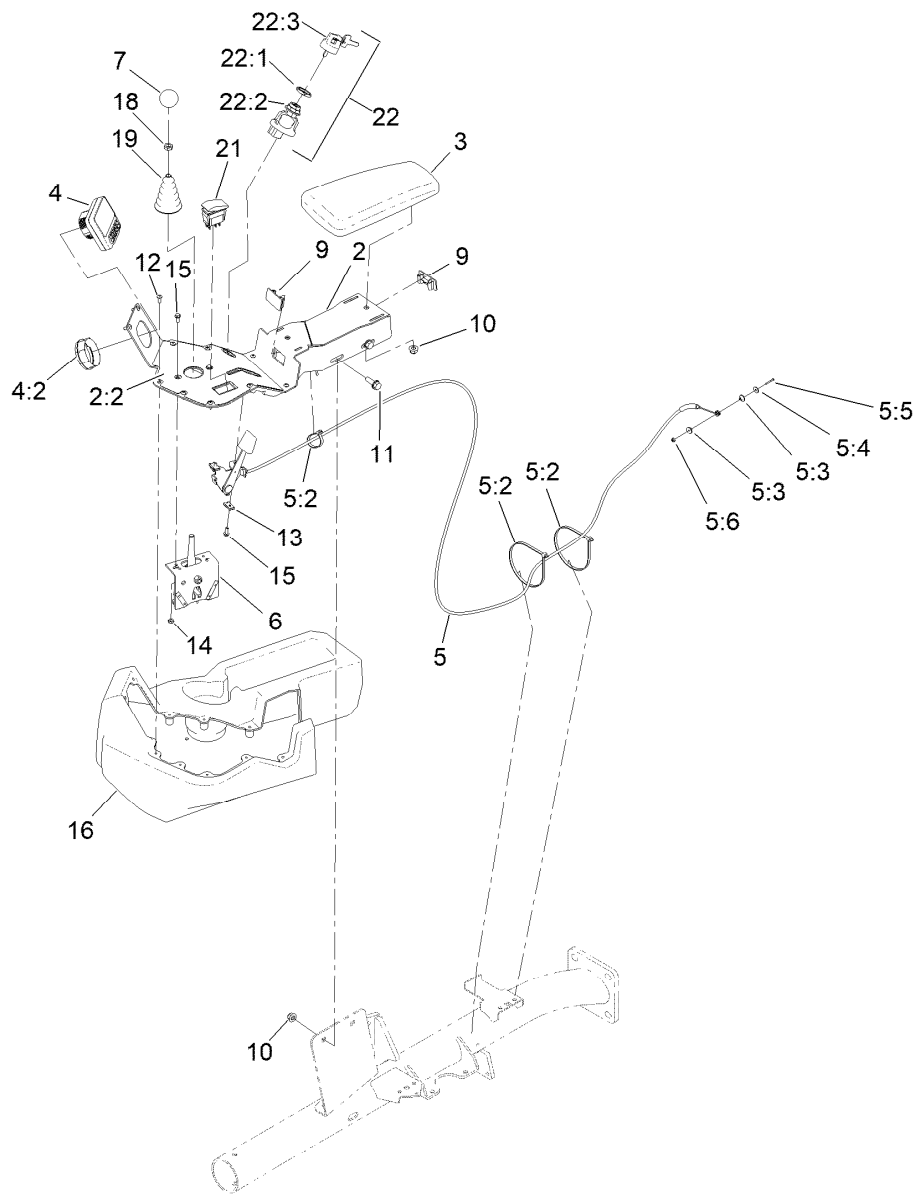
Wheel and Tire Assembly

Ref.	Part Number	Qty.	Description	Ref.	Part Number	Qty.	Description
1	139-8314	1	Housing-Steering	22	119-4490	1	Wheel Spindle ASM
2	137-7868-03	1	Bracket-Sensor, Steering	24	117-9033	1	Wheel And Tire ASM
3	32144-10	2	Screw-HWH	24:1	120-2783	1	Tire
4	3290-313	2	Screw-SPH	24:2	217-60	1	Rim
5	137-8166-03	1	Housing	24:3	232-27	1	Stem-Valve
6	3296-52	2	Nut-Lock, NI	25	108-7019	1	Seal-Shaft
7	107-7589	2	Cone-Bearing (W/ Seal)	26	122-0914	1	Sensor-Rotary, Body/Magnet Matched Set
8	107-7590	2	Cup-Bearing	27	112-8617	1	Nut-Hex
9	133-0347	1	Gasket	40	117-9035	8	Screw-HHF
11	139-8313	1	Fork-Caster	42	137-8171	1	Washer
12	137-8170	1	Gear-Spur, 64T	43	137-7943	1	Washer-Tang
13	133-0346	1	Pinion-16T	44	137-7942	1	Nut-Castle
14	133-0348	1	Gasket	45	302-59	1	Plug-EXT Hex Spl
15	136-2667	2	Pin-Dowel	46	3296-23	4	Nut-Lock, NI
16	133-0349	1	Steering Unit ASM	47	3234-40	4	Screw-HF
17	32120-2	1	Ring-Retaining				
20	3234-42	13	Screw-HHF				



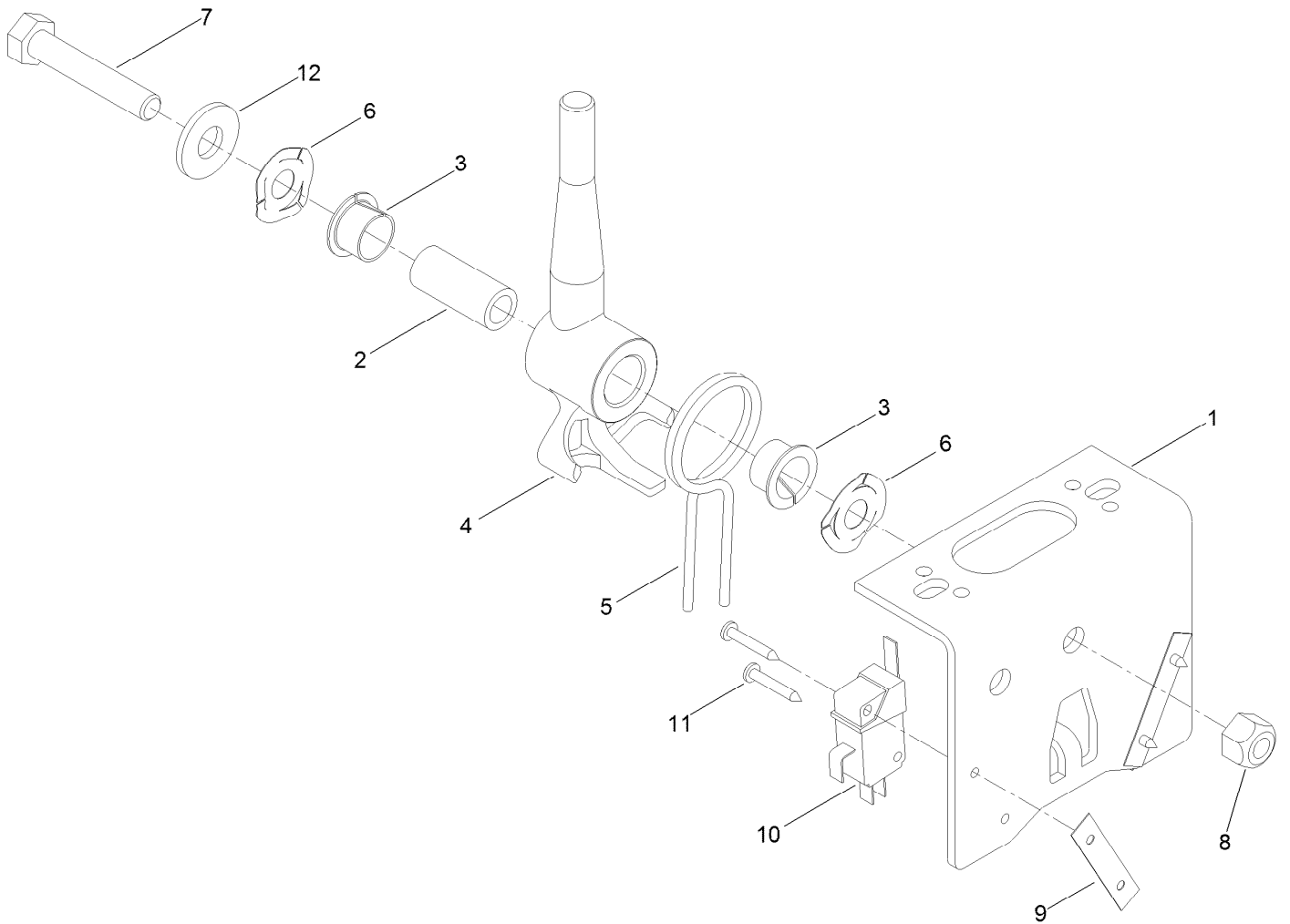
Wheel Spindle Assembly No. 119-4490

Ref.	Part Number	Qty.	Description
1	139-2564	4	Nut-Lug
2	241-119	1	Cap-Dust
3	112-7173	1	Spindle
4	112-1690	1	Seal-Oil
5	117-9093	1	Hub ASM
5:2	254-72	2	Bearing-Cup, Tapered
5:3	114-3918	4	Stud-Wheel
6	254-92	2	Cone-Bearing, Outer
7	117-8260	1	Nut
8	117-8259	1	Washer-Spindle
9	3272-18	1	Pin-Cotter
10	93-0307	1	Nut-Lock, Retainer



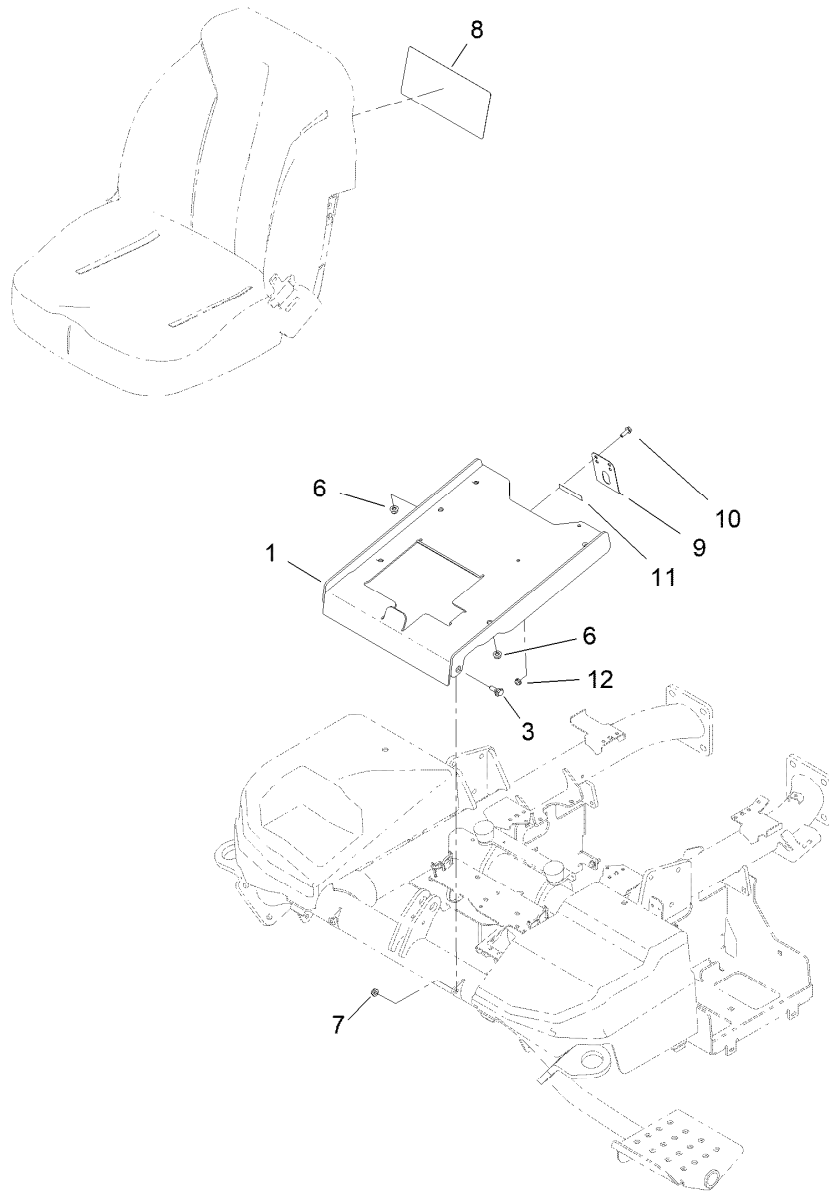
Console Assembly

Ref.	Part Number	Qty.	Description	Ref.	Part Number	Qty.	Description
2	137-8093	1	Console ASM	9	99-7420	2	Plug-Hole
2:2	139-8588	1	Decal-Console	10	104-8300	4	Nut-HF, NI
3	108-7602	1	Rest-Arm	11	3234-29	2	Screw-HHF
4	161-1700	1	Display-LCD	12	115-9830	10	Screw-HSBH
4:2	161-1723	1	Nut-Display	13	3290-277	2	Nut-Speed
5	147-3065	1	Lever-Choke	14	3296-12	2	Nut-Lock, NI
5	147-3066	1	Choke Cable Kit	15	3290-321	4	Screw-HWH
5:2	3290-379	3	Tie-Cable	16	132-9955	1	Cover-Console
5:3	145-4596	2	Spacer, Choke Cable Adapter	18	3218-3	1	Nut-Jam
5:4	3269-10	1	Washer-Back	19	93-5961	1	Boot-Lever
5:5	147-3074	1	Screw, HSBH	21	112-3530	1	Switch-Rocker, On-On-On
5:6	147-3075	1	Nut-Hex	22	161-4693	1	Switch-Ignition
6	120-5280	1	Bracket-Joystick	22:1	121-5160	1	Nut-Hex
7	120-9752	1	Knob-Round, Yellow	22:2	122-2704	1	Nut-Face, M22 (Plastic)
				22:3	121-5162	1	Set-Key, Ignition



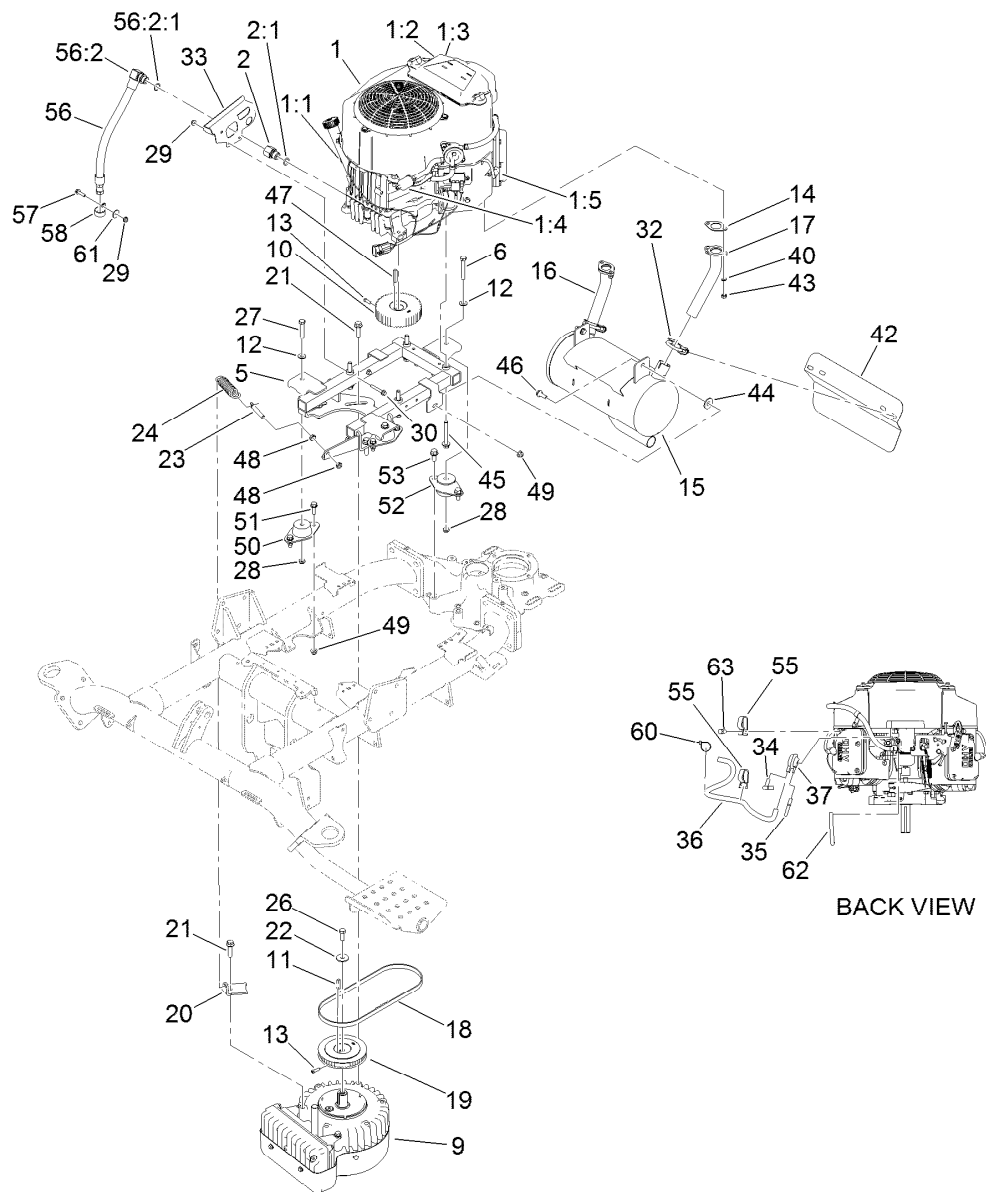
Joystick Bracket Assembly No. 120-5280

<i>Ref.</i>	<i>Part Number</i>	<i>Qty.</i>	<i>Description</i>
1	115-5357-03	1	Bracket-Joystick
2	106-4192	1	Spacer
3	93-5547	2	Bushing-Nylon
4	119-3540	1	Hub-Pivot, Joystick
5	105-8289	1	Spring-Torsion
6	106-4193	2	Washer-Finger, Spring
7	322-9	1	Screw-HH
8	3296-29	1	Nut-Lock, NI
9	3290-354	2	Nut-Speed
10	108-6496	2	Switch (W/Boot)
11	95-3003	4	Screw-PPHTF
12	3256-3	1	Washer-Flat



Seat Plate Assembly

<i>Ref.</i>	<i>Part Number</i>	<i>Qty.</i>	<i>Description</i>
1	139-8552-03	1	Plate-Seat
3	94-7582	2	Bolt-Shoulder
6	104-8300	10	Nut-HF, NI
7	3296-59	2	Nut-Lock, NI
8	137-8132	1	Decal-Service
9	139-8557	1	Latch-Seat
10	115-5103	2	Screw-HHF
11	120-5753	1	Strip-Foam
12	104-7201	2	Nut-HF, NI

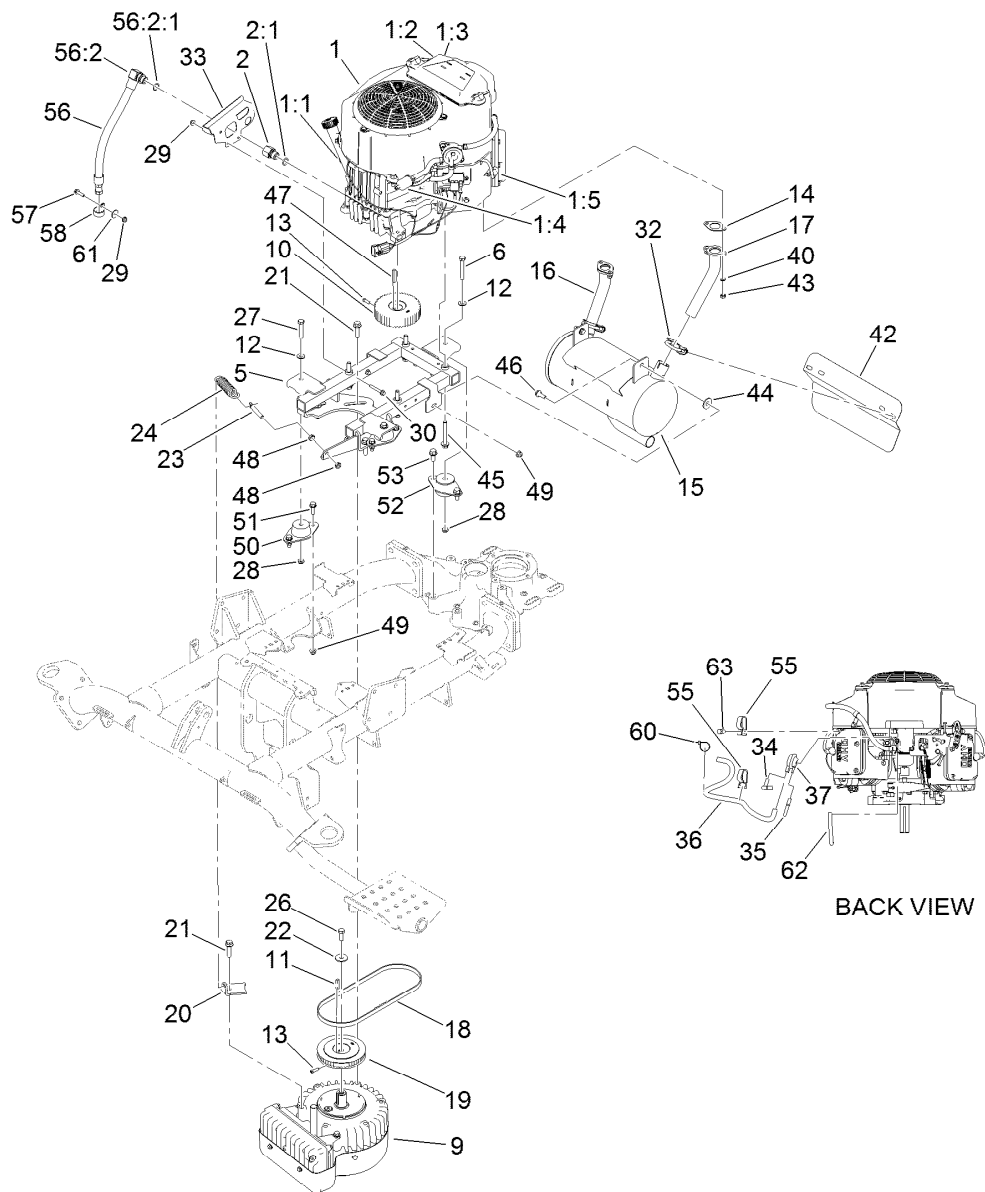


Engine Assembly

Ref.	Part Number	Qty.	Description	Ref.	Part Number	Qty.	Description
1		1	Engine-Kawasaki, Fs481V-S34 ●■	16	133-5750	1	Pipe-Exhaust, LH
1:1	119-5852	1	Filter-Oil	17	133-5751	1	Pipe-Exhaust, RH
1:2	120-7447	1	Filter-Air, Foam	18	137-7828	1	Belt-Timing
1:3	120-7448	1	Filter-Air, Paper	19	137-8131	1	Pulley ASM
1:4	121-4570	1	Filter-Fuel	20	133-5737	1	Bracket-Spring
1:5	92-2153	1	Plug-Spark	21	114-4681	5	Screw-HHF
2	139-8416	1	Fitting-Straight	22	63-8410	1	Washer
2:1	237-69	1	O-Ring	23	133-0332	1	Pin-Adjustment, Generator
5	133-5797-03	1	Frame-Engine	24	133-5738	1	Spring-Extension
6	323-12	1	Screw-HH	26	3211-4	1	Screw-HH
9	127-2580	1	Generator/Controller ASM	27	323-10	2	Screw-HH
10	137-8128	1	Pulley-Belt	28	3296-59	3	Nut-Lock, NI
11	5-0698	1	Key	29	104-7201	3	Nut-HF, NI
12	3256-24	3	Washer-Plain	30	32105-18	2	Screw-HHF
13	3241-6	4	Screw-SQH	32	104-4090	2	Clamp-Muffler
14	1-653313	2	Gasket-Exhaust	33	132-9908	1	Shield-Drip
15	133-5745	1	Muffler	34	119-8502	1	Hose-Vent, Formed
				35	119-8501	1	Hose-Vent, Formed

● Not serviced separately

■ Obtain parts from www.kawpower.com

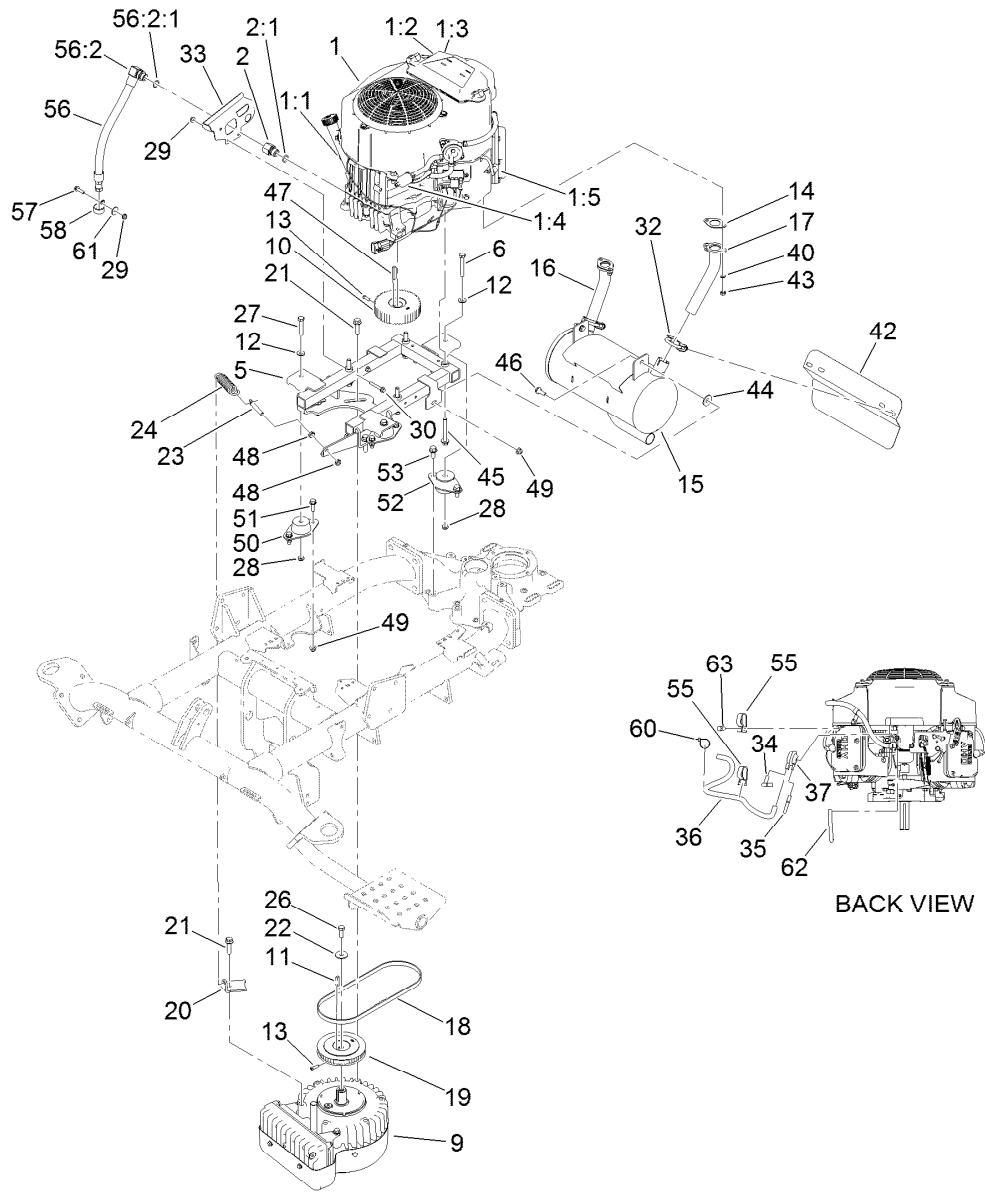


Engine Assembly (continued)

Ref.	Part Number	Qty.	Description	Ref.	Part Number	Qty.	Description
36	110-5701	1	Hose-Fuel	52	131-1821	1	Mount-Engine
37	116-2232	1	Valve-Control, Vacuum	53	3234-25	2	Screw-HHF
40	114-3550	4	Washer-Lock	55	92-5753	2	Clamp-Hose
42	132-9915-03	1	Shield-Exhaust, Rear	56	137-7864	1	Drain Hose ASM
43	114-3549	4	Nut	56:2		1	Plug-HH ●
44	3290-465	2	Washer-Belleville	56:2:1	237-42	1	O-Ring
45	132-9947	4	Screw-Hfh	57	120-4654	1	Screw-HHF
46	27-0410	2	Screw-Shoulder	58	2412-106	1	Clamp-R
47	67-7490	1	Key-Square	60	3290-379	1	Tie-Cable
48	3220-3	2	Nut-HJ	61	3256-67	1	Washer
49	104-8300	6	Nut-HF, NI	62	139-8415	1	Tubing-Convolved, Slit
50	121-9076	2	Mount-Engine	63	33114-016	1	Screw-HH
51	3234-29	4	Screw-HHF				

● Not serviced separately

■ Obtain parts from www.kawpower.com

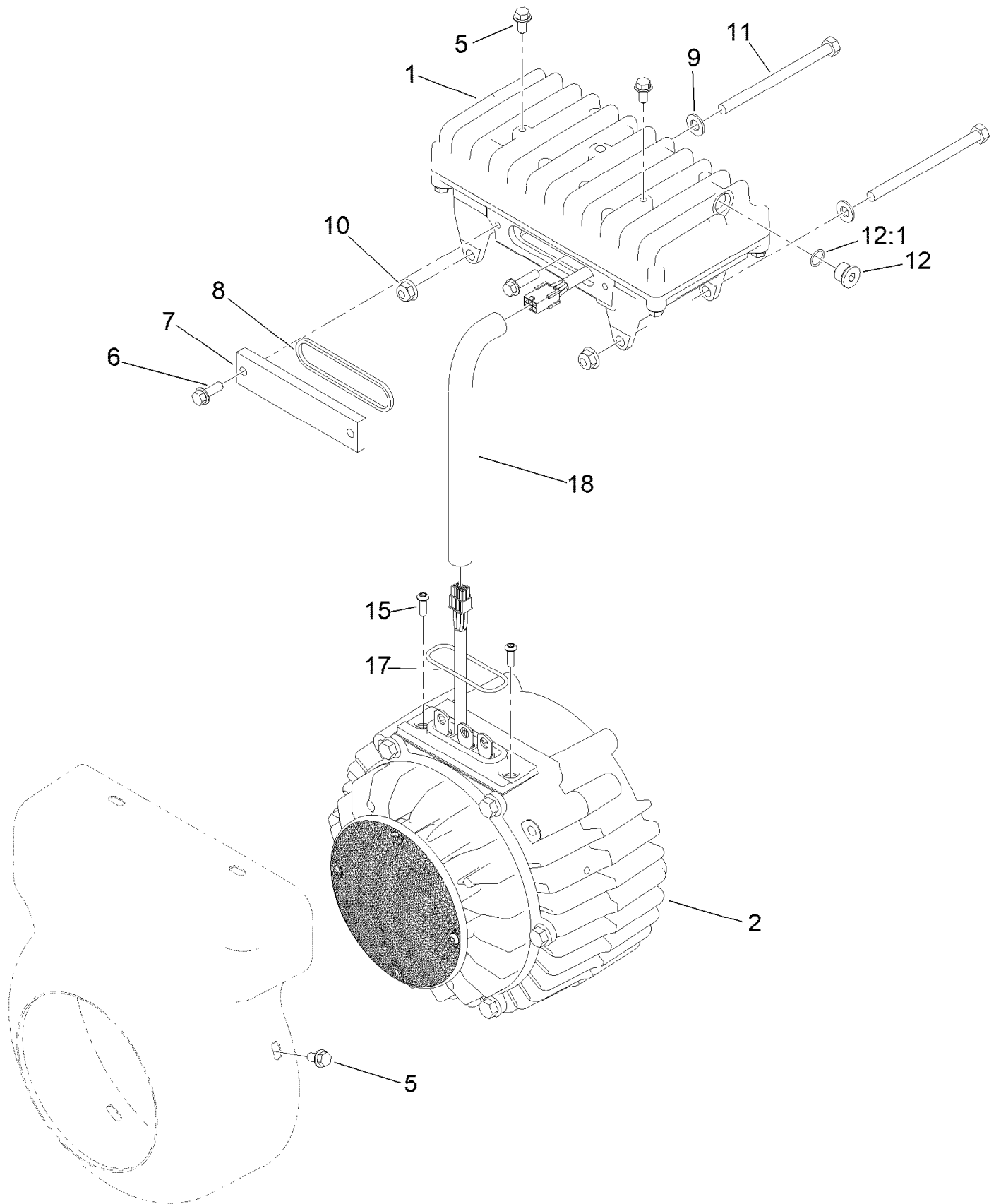


Engine Assembly (continued)

● Not serviced separately

■ Obtain parts from www.kawpower.com

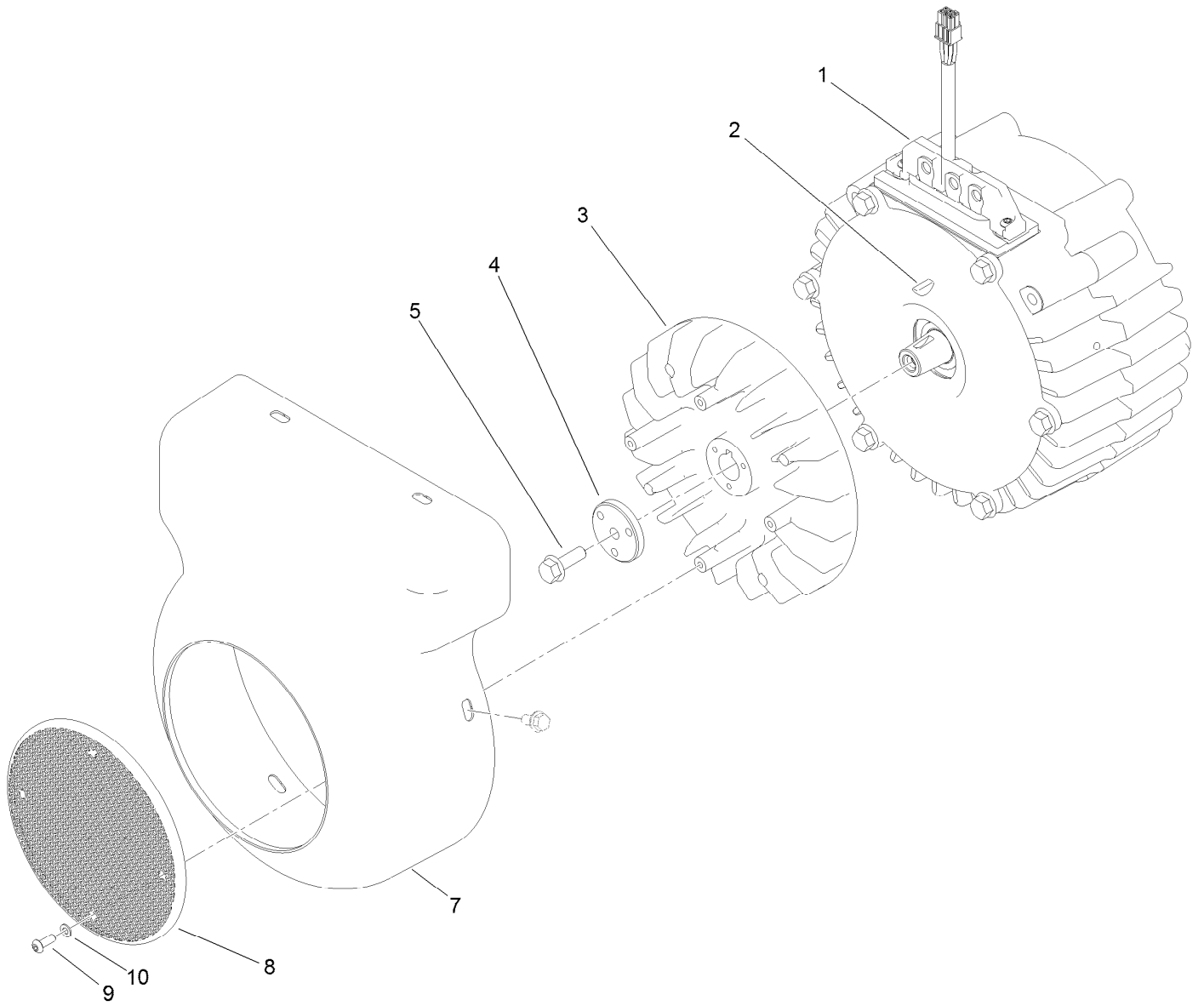
Generator/Controller Assembly No. 127-2580



Generator/Controller Assembly No. 127-2580 (continued)

<i>Ref.</i>	<i>Part Number</i>	<i>Qty.</i>	<i>Description</i>	<i>Ref.</i>	<i>Part Number</i>	<i>Qty.</i>	<i>Description</i>
1	117-8181	1	Controller ASM	11	322-38	2	Screw-HH
2	127-2579	1	Generator ASM	12	353-989	1	Plug-Hex, Hollow
5	119-1065	6	Screw-Lock, HF	12:1	237-42	1	O-Ring
6	119-1138	2	Screw-HHF, Patch	15	119-7568	2	Screw-HSBH
7	120-4511	1	Cover-Access	17	117-8176	1	O-Ring
8	120-4513	1	Gasket-Cover, Access	18	127-2747	1	Sleeve-Harness, Expandable
9	3256-23	2	Washer-Plain				
10	104-8300	2	Nut-HF, NI				

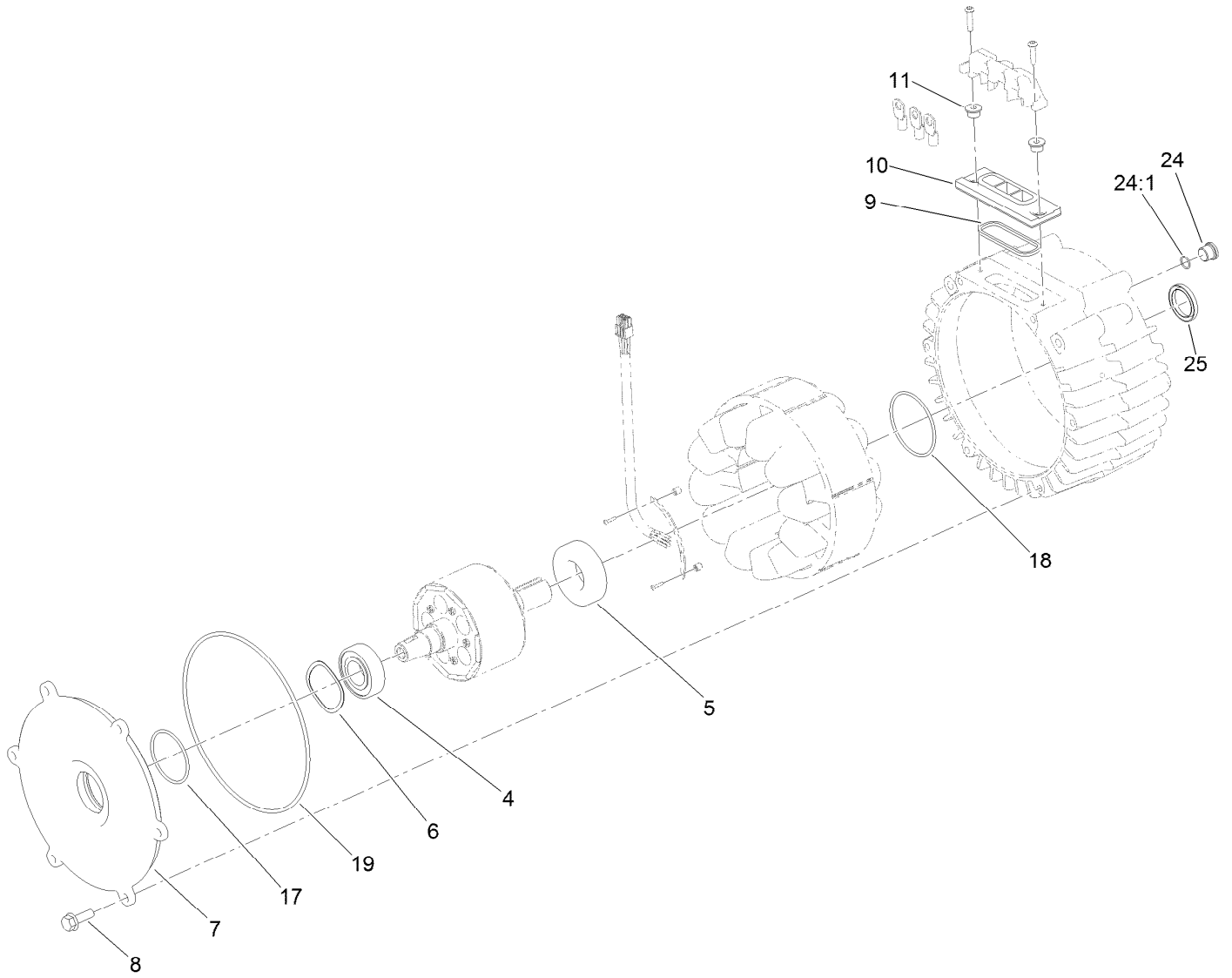
Generator Assembly No. 127-2579



Generator Assembly No. 127-2579 (continued)

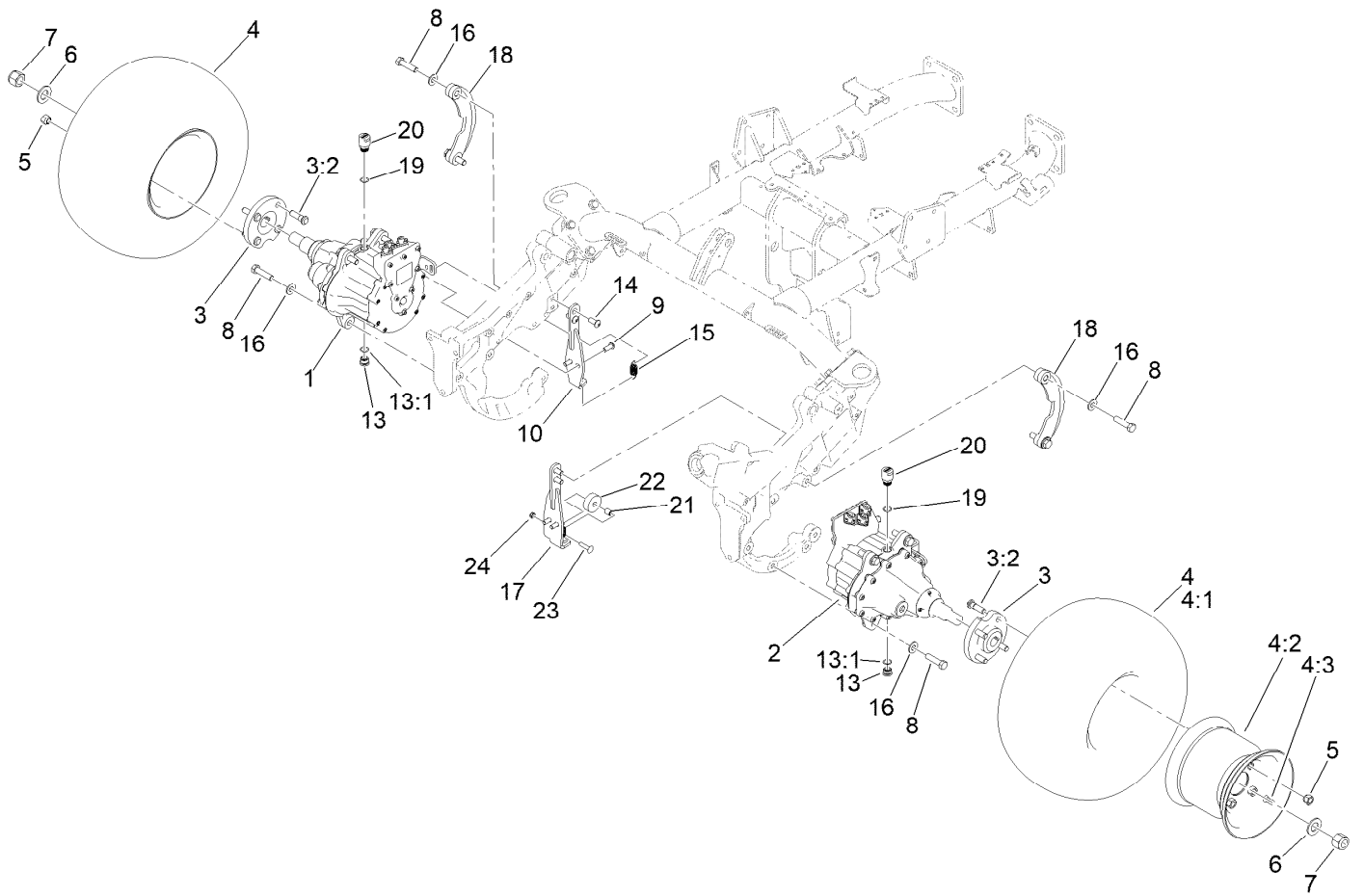
<i>Ref.</i>	<i>Part Number</i>	<i>Qty.</i>	<i>Description</i>	<i>Ref.</i>	<i>Part Number</i>	<i>Qty.</i>	<i>Description</i>
1	127-2578	1	Generator Service ASM	7	121-7082	1	Cover-Generator
2	112-5193	1	Key-Woodruff	8	120-4582	1	Screen-Fan
3	117-8184	1	Fan-Generator	9	120-4564	4	Screw-BHCS
4	112-9604	1	Collar	10	120-4563	4	Washer-Flat
5	33104-025	1	Screw-HHF				

Generator Service Assembly No. 127-2578



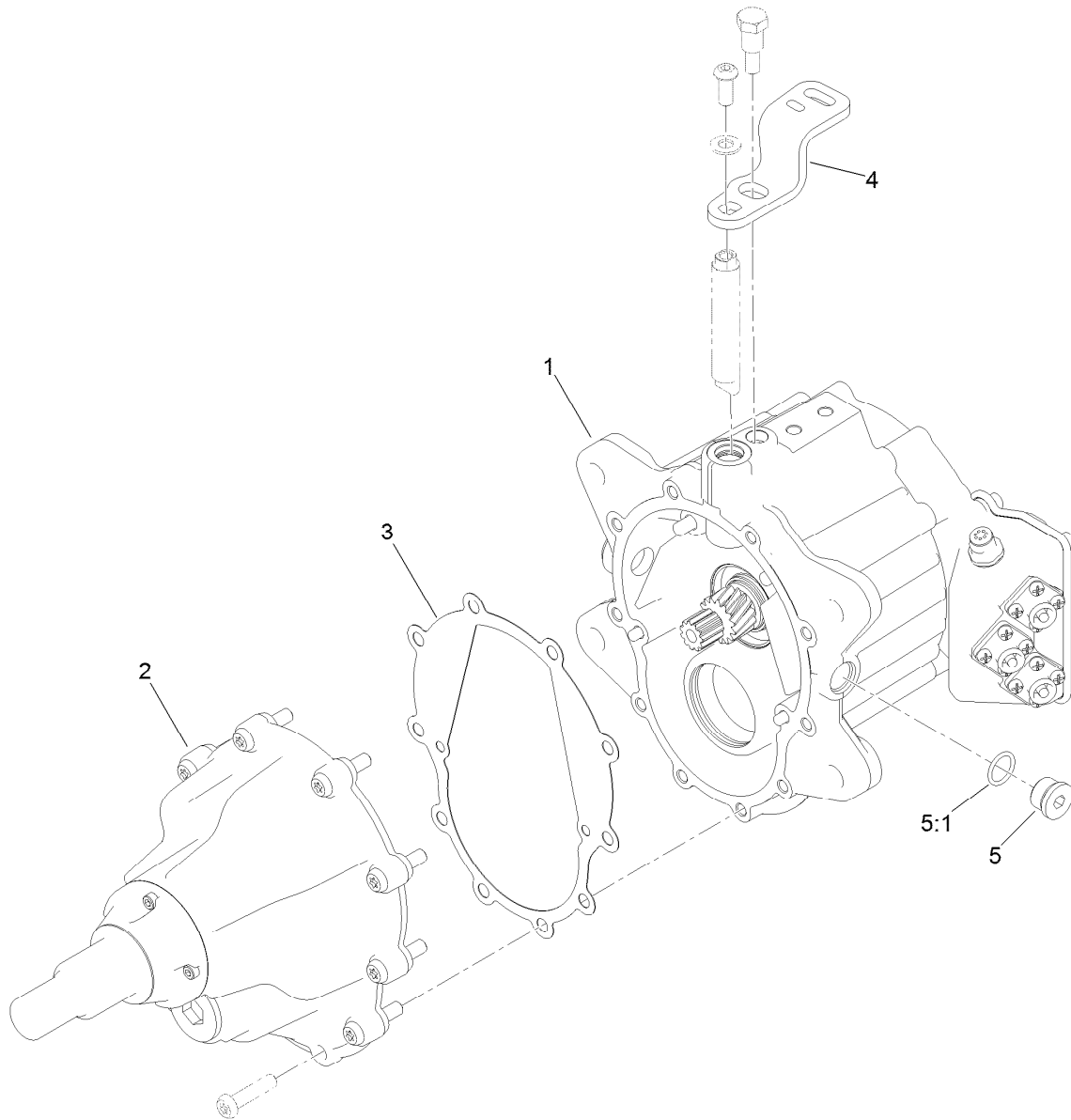
Generator Service Assembly No. 127-2578 (continued)

<i>Ref.</i>	<i>Part Number</i>	<i>Qty.</i>	<i>Description</i>	<i>Ref.</i>	<i>Part Number</i>	<i>Qty.</i>	<i>Description</i>
4	120-4621	1	Bearing	11	117-4501	2	Spacer-Shoulder
5	120-4622	1	Bearing	17	107-3244	1	O-Ring
6	117-8148	1	Washer-Wave	18	117-8177	1	O-Ring
7	117-4514	1	Cover-Generator	19	112-5199	1	O-Ring
8	33104-025	6	Screw-HHF	24	353-989	1	Plug-Hex, Hollow
9	120-4518	1	Gasket-Isolator	24:1	237-42	1	O-Ring
10	112-5155	1	Isolator-Thermal	25	125-1509	1	Seal



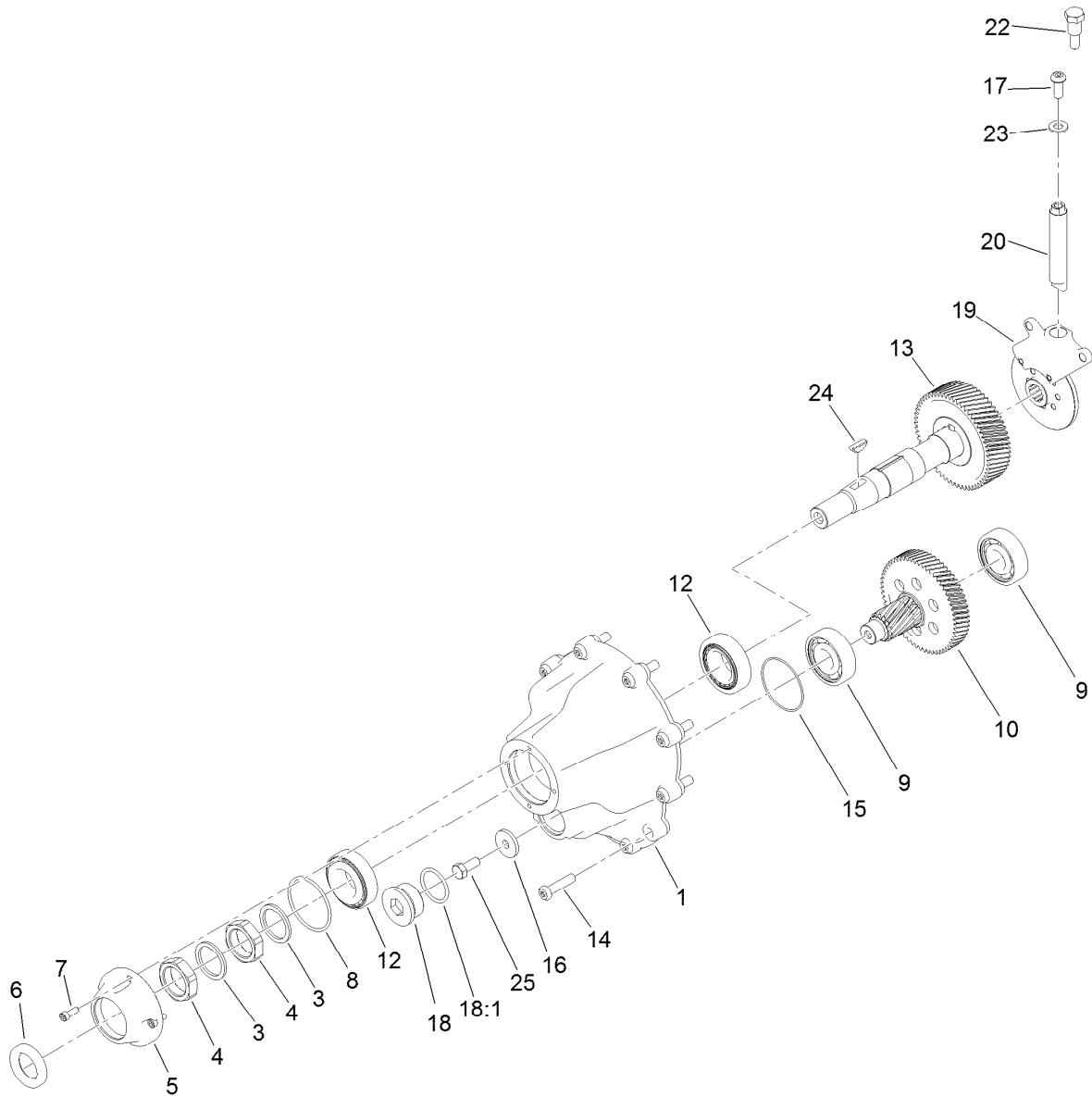
Traction Assembly

<i>Ref.</i>	<i>Part Number</i>	<i>Qty.</i>	<i>Description</i>	<i>Ref.</i>	<i>Part Number</i>	<i>Qty.</i>	<i>Description</i>
1	139-8565SP	1	RH Wheel Motor ASM	13	133-7659	2	Plug ASM W/Magnet
2	139-8567SP	1	LH Wheel Motor ASM	13:1	237-79	1	O-Ring
3	140-6228	2	Hub ASM-Wheel	14	3274-105	4	Screw-HSBH
3:2	10-6830	4	Stud-Type, Drive	15	136-7153	2	Spring-Extension
4	117-9030	2	Wheel And Tire ASM	16	87-7270	12	Washer-Thrust
4:1	120-2783	1	Tire	17	139-8348-01	1	Gusset-LH
4:2	117-9032	1	Rim	18	132-9996-01	2	Link-Support
4:3	232-27	1	Stem-Valve	19	237-79	2	O-Ring
5	139-2564	8	Nut-Lug	20	139-8576	2	Valve-Breather
6	AU496-11094	2	Washer-Flat	21	88-7450	1	Spacer-Lever, Control
7	137-7973	2	Nut-Hex	22	139-8346	1	Roller
8	325-8	12	Screw-HH	23	112-6950	1	Screw-CARR
9	3274-94	4	Screw-HSBH	24	3296-47	1	Nut-Lock,NI
10	137-7727-01	1	Gusset-Motor, RH				



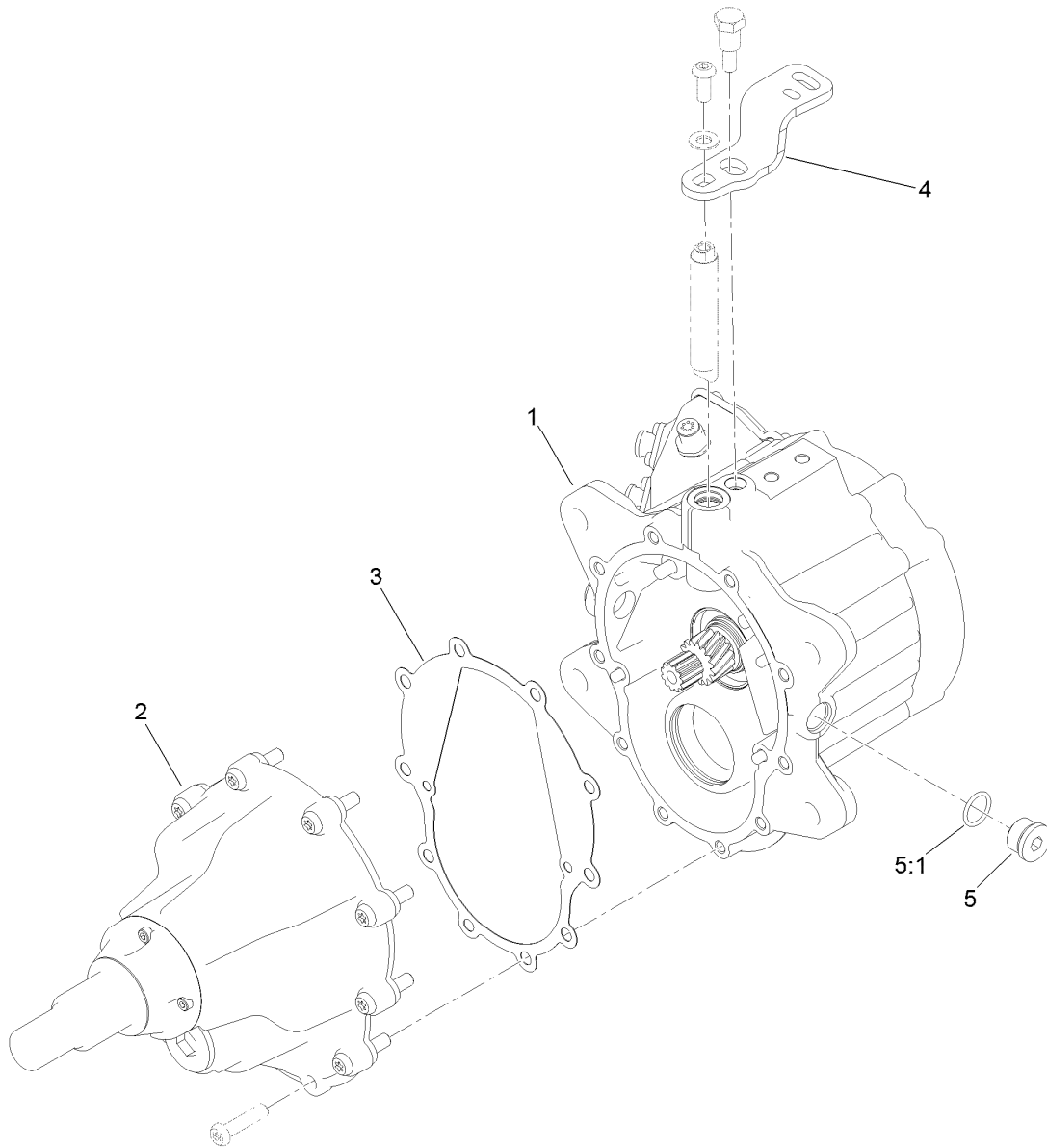
RH Wheel Motor Assembly No. 139-8565

<i>Ref.</i>	<i>Part Number</i>	<i>Qty.</i>	<i>Description</i>
1	139-8566SP	1	RH Motor ASM
2	127-1529	1	Gear Box ASM
3	121-9254	1	Gasket-Gearbox
4	132-9873	1	Lever-Brake, RH
5	353-988	2	Plug-Hex
5:1	237-79	1	O-Ring



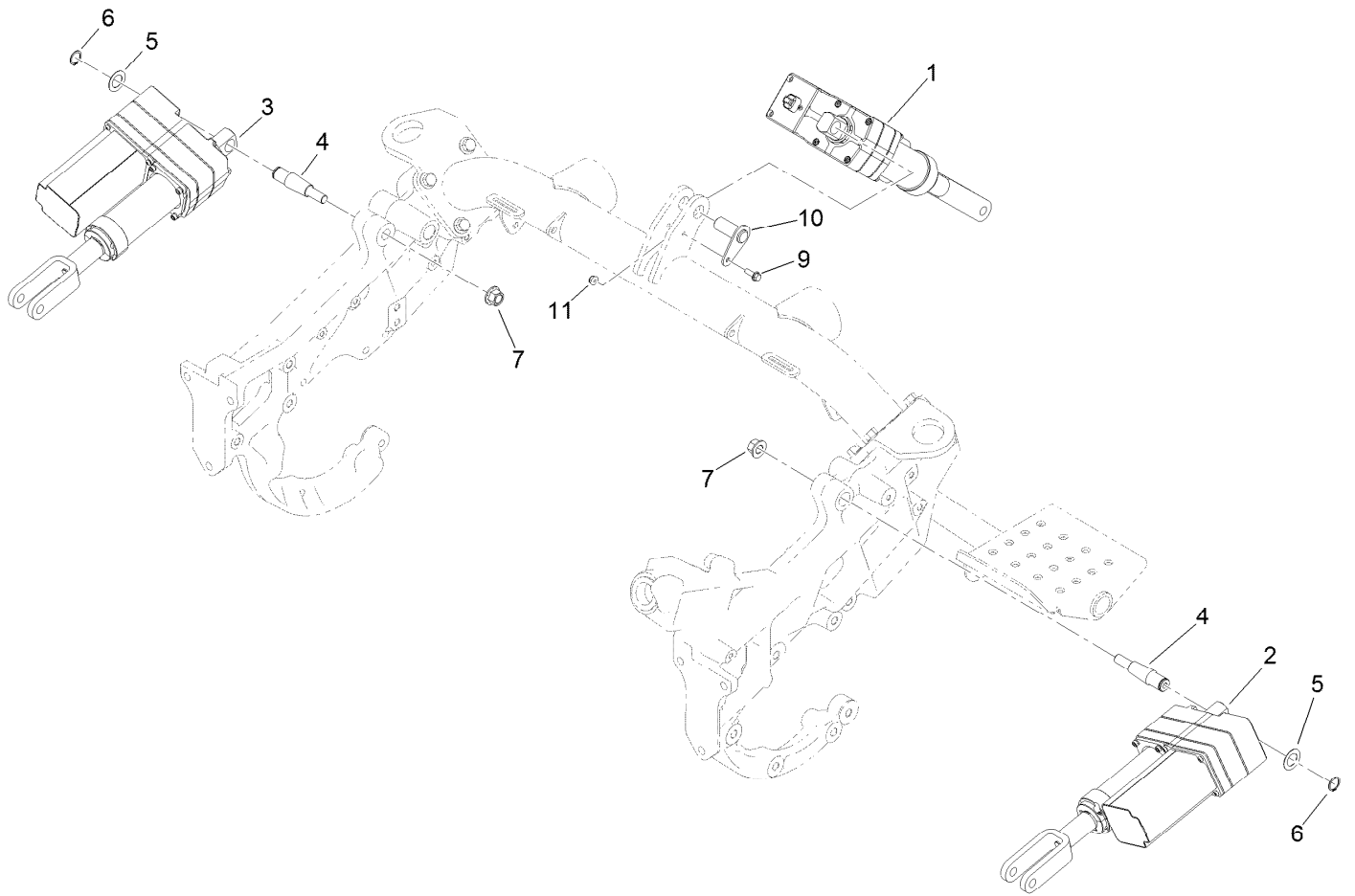
Gearbox Assembly No. 127-1529

<i>Ref.</i>	<i>Part Number</i>	<i>Qty.</i>	<i>Description</i>	<i>Ref.</i>	<i>Part Number</i>	<i>Qty.</i>	<i>Description</i>
1	127-1559	1	Cover-Motor, Axle	15	121-9273	1	O-Ring
3	121-5235	2	Washer-Special	16	132-9927	1	Washer-Flat
4	121-9263	2	Nut-Jam	17	3274-96	1	Screw-HSBH
5	127-1561	1	Cover-Nose, Axle	18	105-3921	1	Fitting-Plug
6	137-7857	1	Seal-Shaft	18:1	237-146	1	O-Ring
7	112-5181	4	Screw -HSH	19	132-9974	1	Brake ASM
8	108-9919	1	O-Ring	20	121-9247	1	Shaft-Brake
9	121-9266	2	Bearing-Ball	22	121-9250	1	Pin-Lever, Stop
10	132-9978	1	Countershaft Gear ASM	23	120-9683	1	Washer-Plain
12	121-9256	2	Bearing-Taper	24	132-9904	1	Key-Woodruff #91
13	132-9841	1	Shaft ASM	25	137-7767	1	Screw-HH
14	127-1519	10	Screw-BHCS				



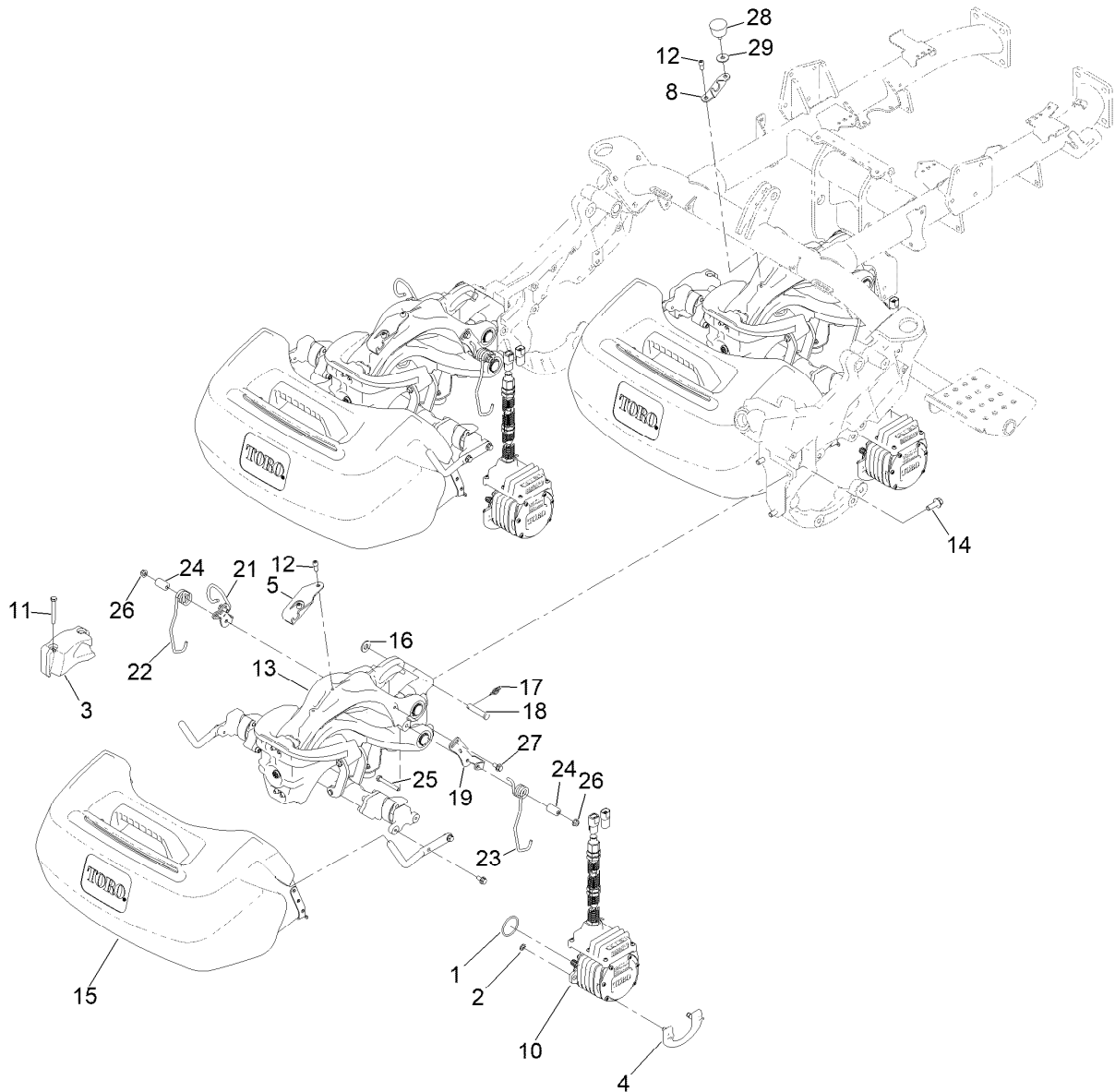
LH Wheel Motor Assembly No. 139-8567

<i>Ref.</i>	<i>Part Number</i>	<i>Qty.</i>	<i>Description</i>
1	139-8568SP	1	LH Motor ASM
2	127-1529	1	Gear Box ASM
3	121-9254	1	Gasket-Gearbox
4	132-9874	1	Lever-Brake, LH
5	353-988	2	Plug-Hex
5:1	237-79	1	O-Ring



Lift Assembly

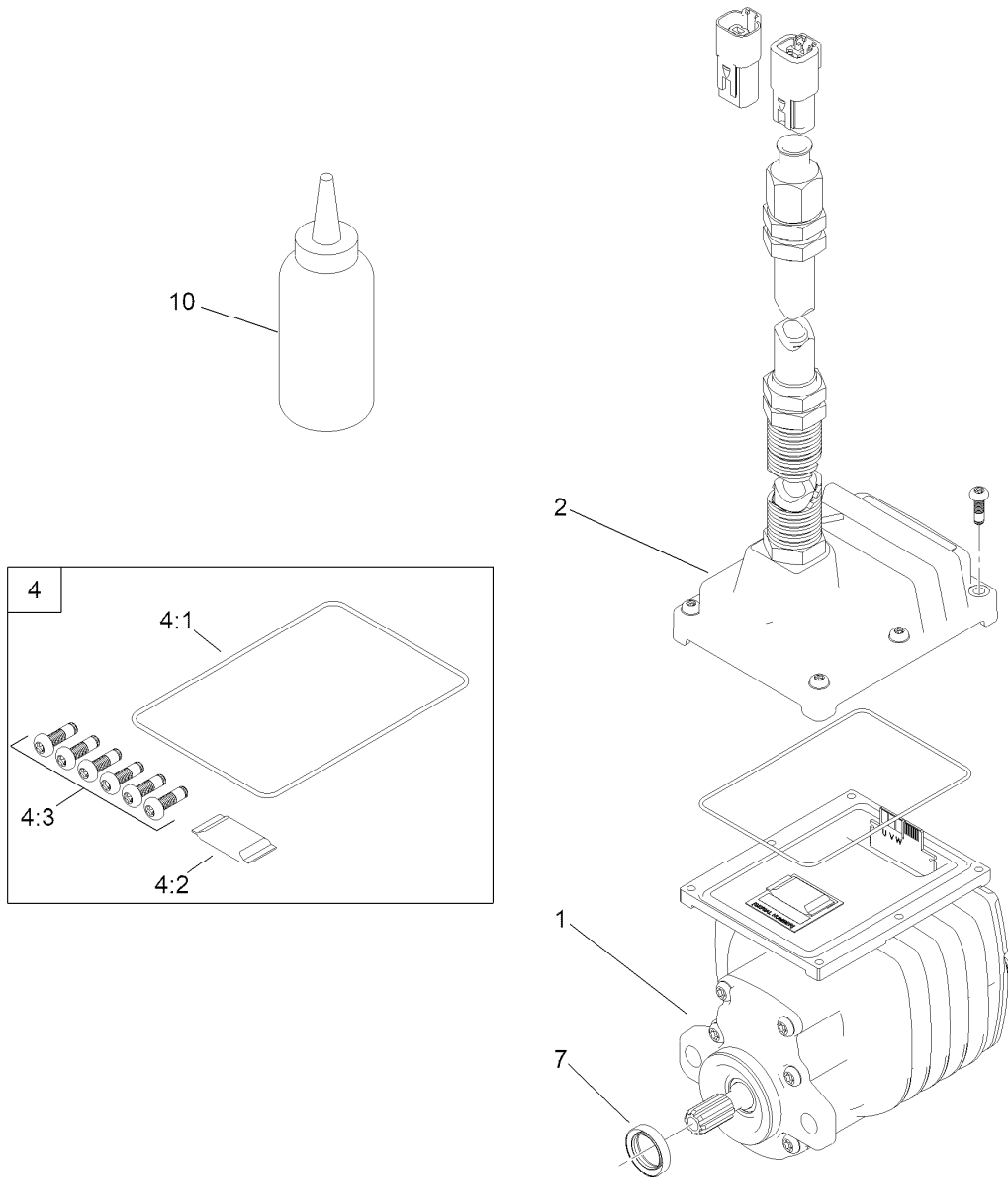
Ref.	Part Number	Qty.	Description
1	161-4674	1	Actuator-Lift, 1
2	161-4675	1	Actuator-Lift, 2
3	161-4676	1	Actuator-Lift, 3
4	136-2691	2	Pin-Tapered
5	9202574	2	Washer-Flat
6	32120-72	2	Ring-Snap
7	99-5107	2	Nut-HF Nylock
9	115-5103	1	Screw-HHF
10	137-7766	1	Pin ASM
11	104-7201	1	Nut-HF, NI



Suspension, Reel Motor and Basket Assembly

Ref.	Part Number	Qty.	Description	Ref.	Part Number	Qty.	Description
1	115-3298	3	O-Ring	17	112-1491	3	Pin-Cotter
2	133-8926	6	Ring-Retaining (Metric)	18	92-2739	3	Pin-Clevis
3	117-6774-03	3	Weight-Electric	19	133-8998	3	Retainer-Spring, LH
4	115-5389	3	Cam-Mount, Motor	21	133-9025	3	Bracket ASM
5	119-7487	2	Bracket-Clamp, Hose	22	117-6826	3	Spring-Stabilizer, RH
8	119-7540	1	Bracket-Hose, Rear	23	117-6827	3	Spring-Stabilizer, LH
10		3	Rem/Inv ASM, 5In Grn ●	24	117-6825	6	Spacer
11	322-13	6	Screw-HH	25	322-12	6	Screw-HH
12	100-2401	5	Screw-HSH	26	104-8300	6	Nut-HF, NI
13		3	Suspension ASM ●	27	114-7728	6	Screw-HHF, Patch
14	117-9035	9	Screw-HHF	28	68-3270	1	Bumper-Rubber
15	132-9599	3	Basket ASM	29	52-2861	1	Washer
16	29-8910	3	Washer				

● Not serviced separately

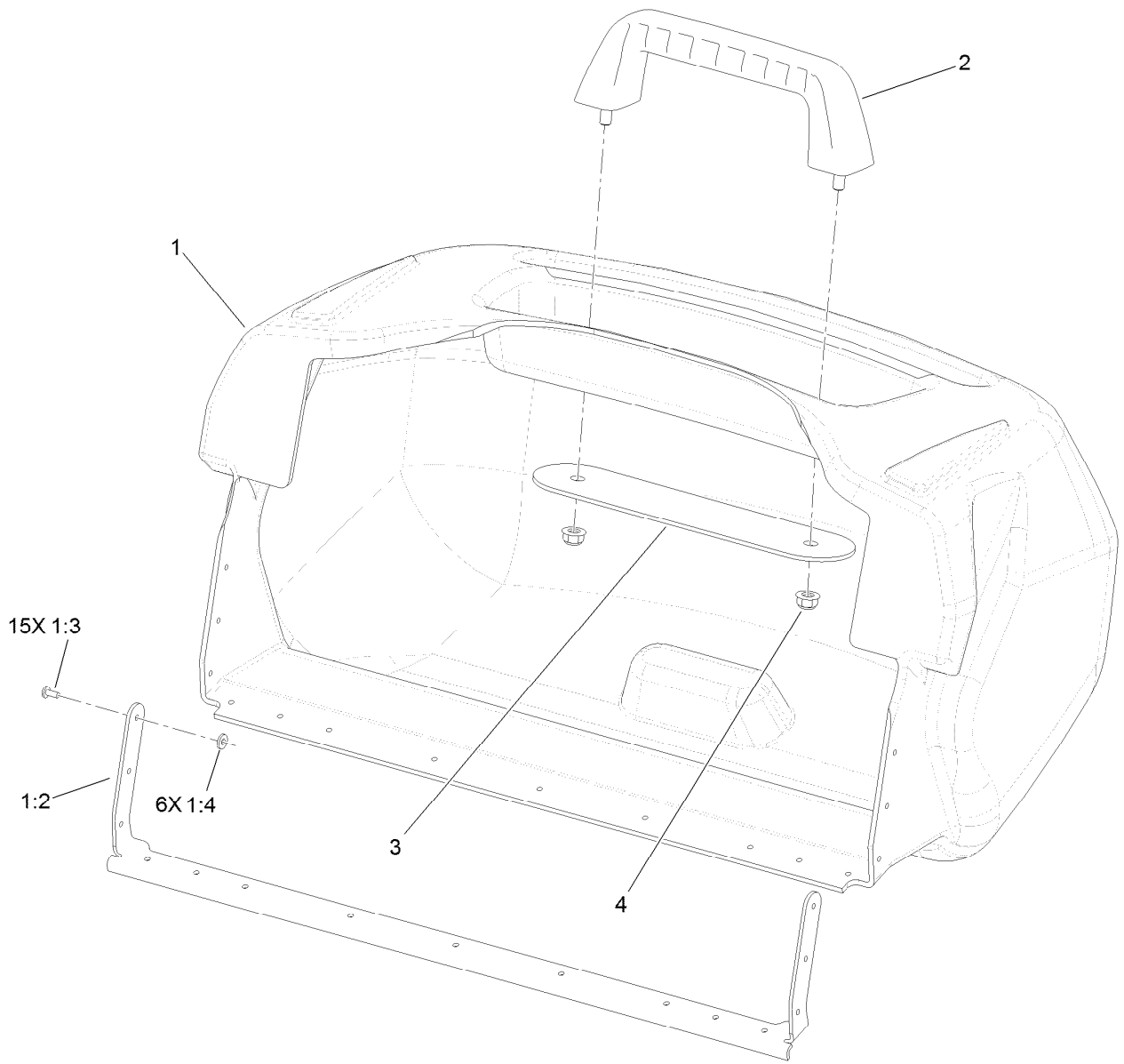


Electric Reel Motor Assembly

Ref.	Part Number	Qty.	Description
1	161-0344	1	Rem-5In Greens
2	161-0345	1	Inverter-5In Greens
4	144-6731	1	Controller And Motor Service Kit
4:1		1	O-Ring-Formed, Controller ■
4:2		1	Desiccant-Silica Gel, 1/2 Gram ■
4:3	144-6692	6	Screw-Tph
4:4		1	Grease-Dielectric ● ■
7	139-8597	1	Seal-Oil ●
10	136-8595	1	Grease-Synthetic

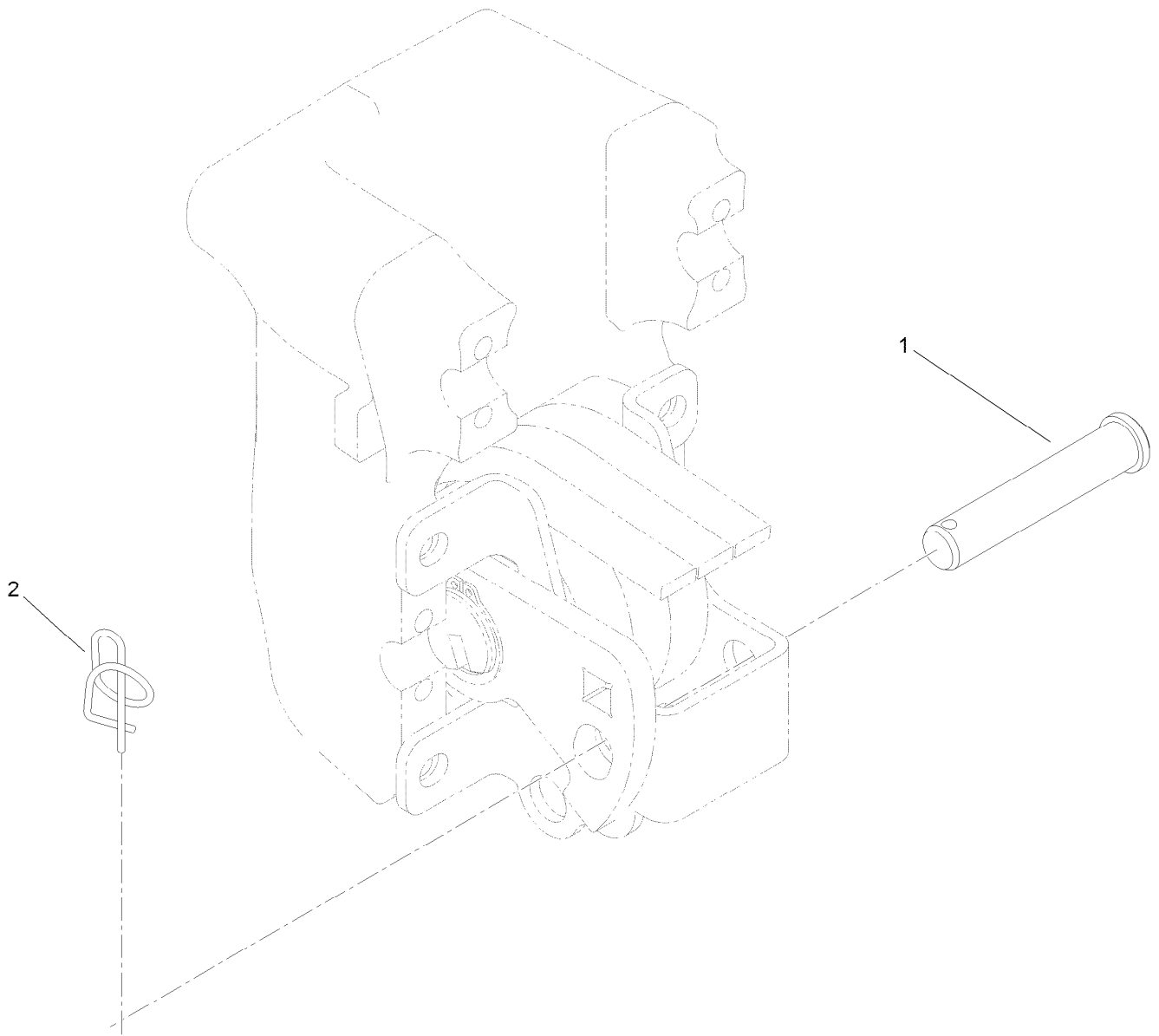
● Not illustrated

■ Not serviced separately



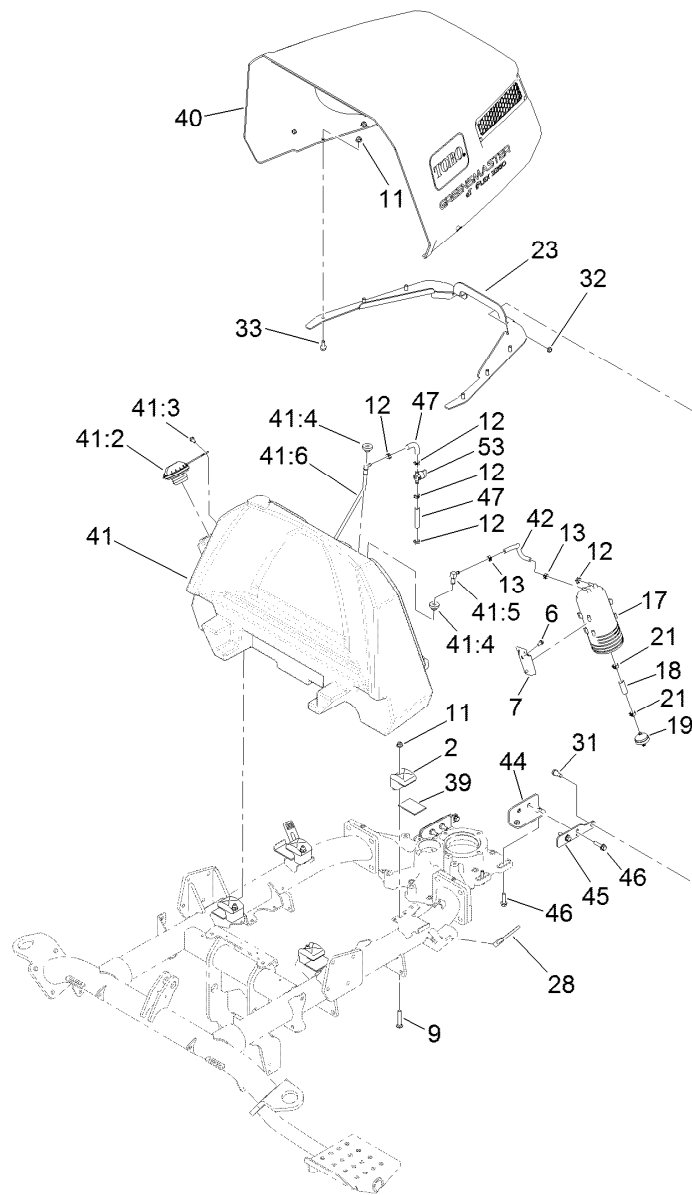
Basket Assembly No. 132-9599

<i>Ref.</i>	<i>Part Number</i>	<i>Qty.</i>	<i>Description</i>
1	132-9510	1	Basket Assembly
1:2	132-3806	1	Support-Basket
1:3	3269-25	15	Rivet-Pop
1:4	3256-75	6	Washer-Flat
2	117-8088	1	Handle-Grab
3	117-8092-03	1	Plate-Mounting
4	104-8300	2	Nut-HF, NI



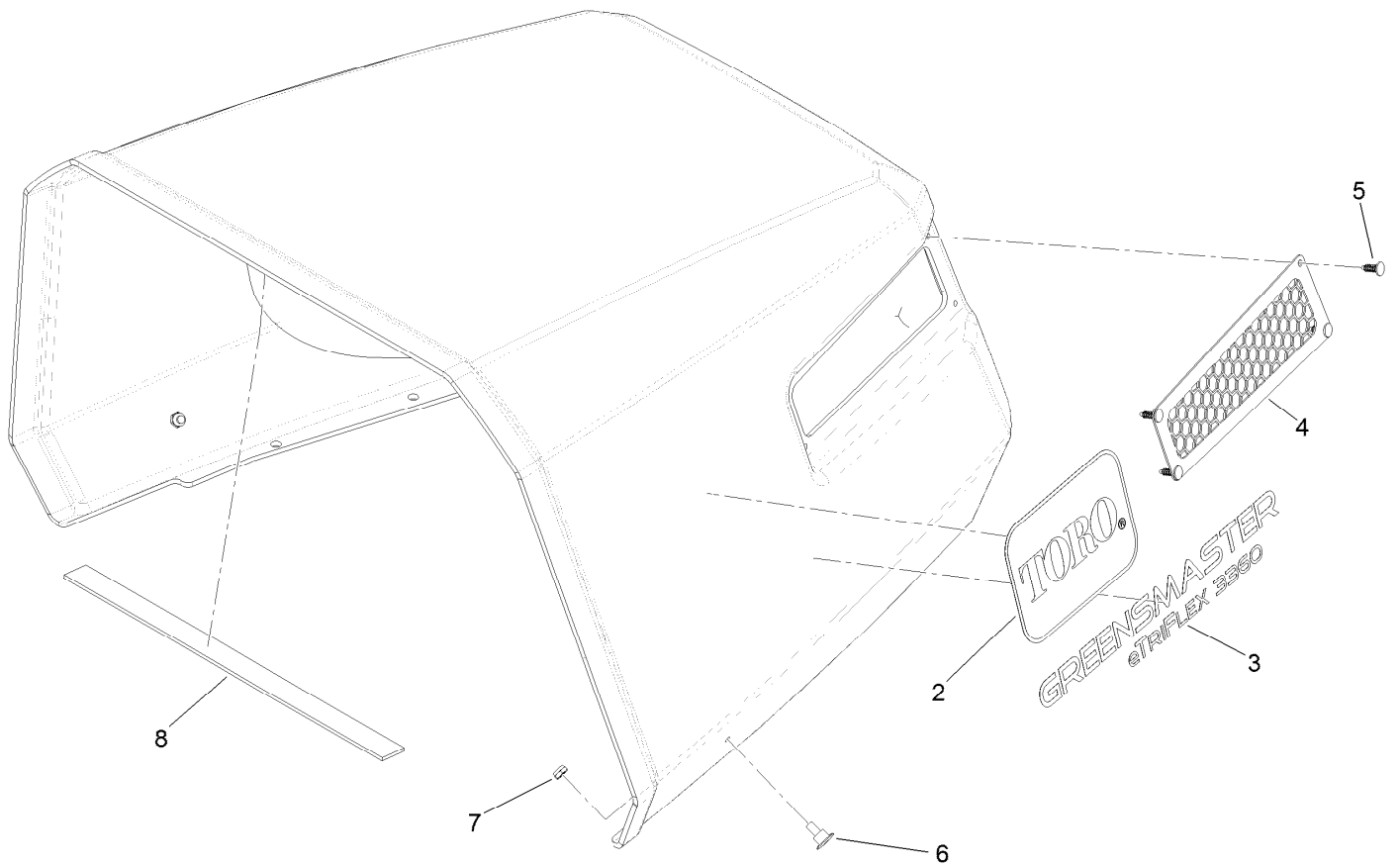
Suspension Pin Position Assembly

<i>Ref.</i>	<i>Part Number</i>	<i>Qty.</i>	<i>Description</i>
1	100-6541	3	Pin-Clevis
2	112-1491	3	Pin-Cotter



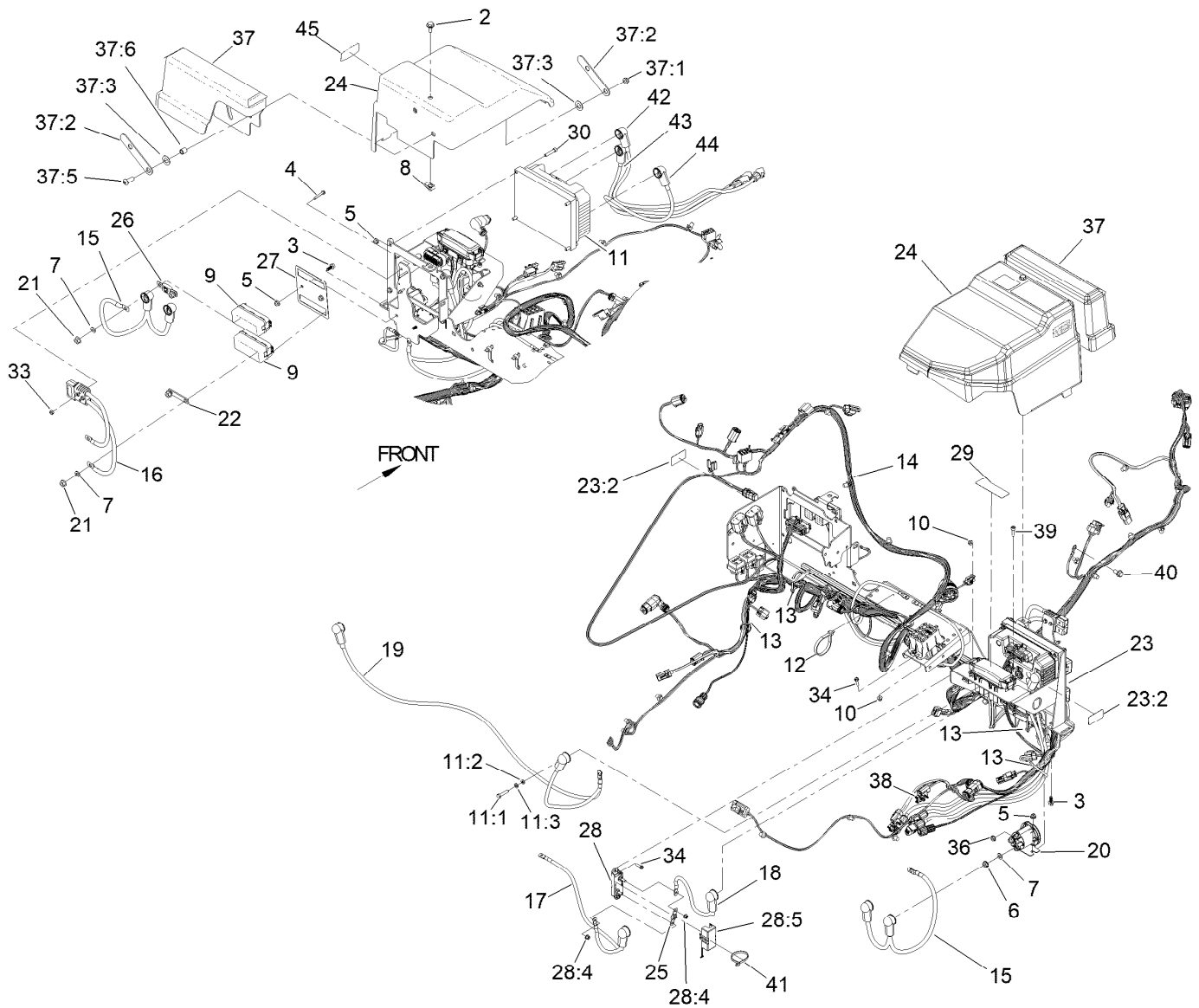
Fuel Tank and Hood Assembly

Ref.	Part Number	Qty.	Description	Ref.	Part Number	Qty.	Description
2	107-4543	4	Clamp	33	3234-47	6	Screw-HHF
6	32144-4	2	Screw-HWH	39	136-4259	4	Foam-Strip, Tank
7	114-0292	1	Bracket-Canister, Carbon	40	139-8316	1	Engine Hood ASM
9	3230-6	4	Bolt-CARR	41	137-8108	1	Fuel Tank ASM
11	104-8300	10	Nut-HF, NI	41:2	117-1722	1	Cap-Fuel
12	2412-98	5	Clamp-Hose	41:3	32144-4	1	Screw-HWH
13	2412-146	2	Clamp-Hose	41:4	46-6560	2	Bushing
17	117-1221	1	Canister-Carbon, 800Cc	41:5	116-2288	1	Fitting-Elbow, 90 DEG
18	106-5317	1	Hose-Fuel	41:6	132-9905	1	Pipe-Stand
19	115-7854	1	Filter-Fuel, Inline	42	51-3210	1	Hose-Fuel
21	92-2379	2	Clamp-Hose	44	137-2242-03	2	Bracket-Hood
23	137-2193-03	1	Bracket-Hinge, Shroud	45	137-7914	2	Bracket-Hood
28	131-8402	2	Strap-Down, Hold	46	119-4036	8	Screw-HHF
31	115-1958	2	Bolt-Shoulder	47	109-0304	2	Hose-Fuel
32	99-6007	2	Nut-Lock, NI	53	1-603770	1	Valve-Fuel



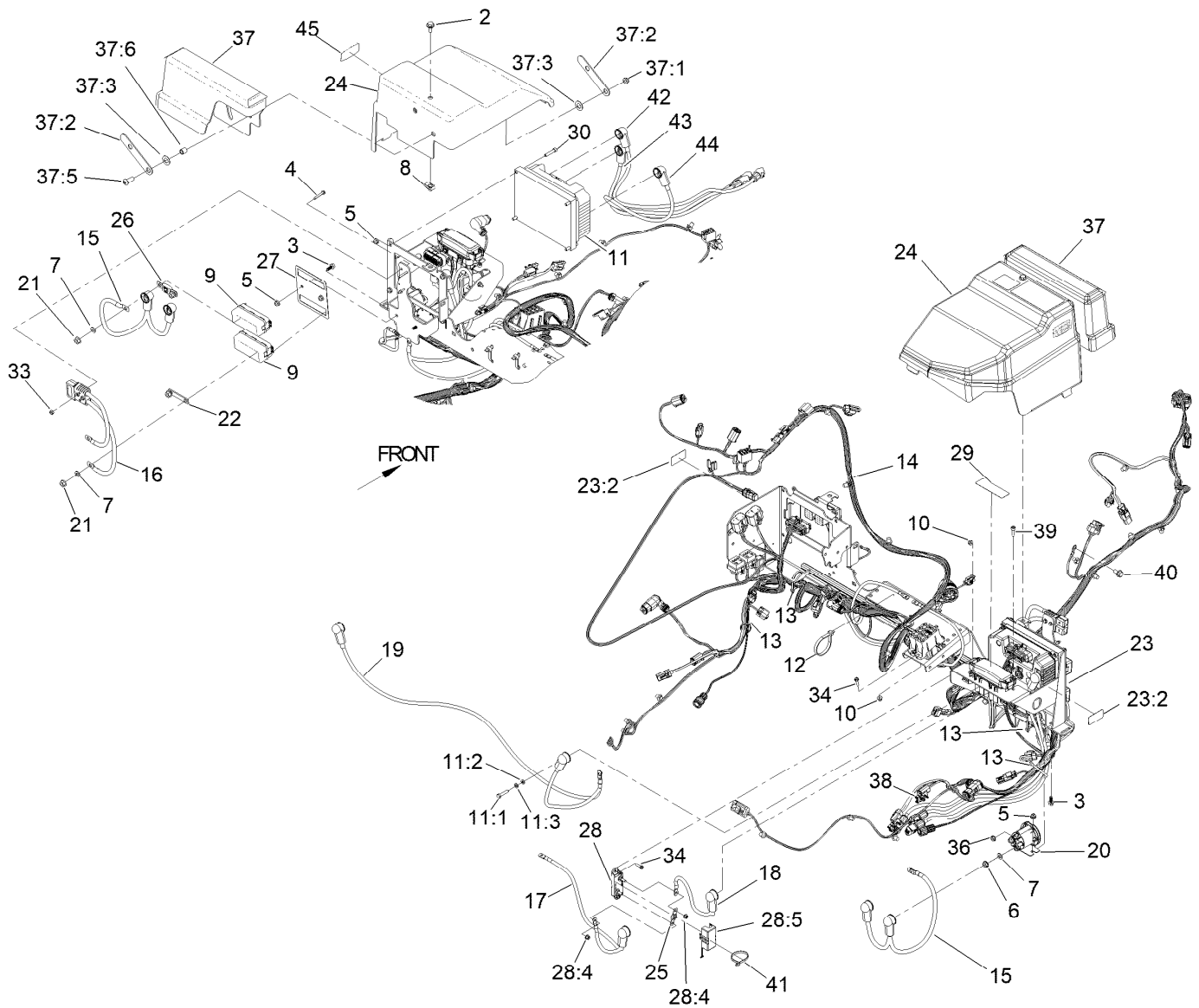
Hood Assembly No. 139-8316

Ref.	Part Number	Qty.	Description
2	62-5550	2	Decal
3	137-7827	2	Decal
4	137-7911-03	2	Screen
5	120-6737	8	Plug-Plastic
6	125-1122	2	Screw
7	3296-56	2	Nut-Lock, NI
8	137-8082	1	Strip-Foam



Electrical Assembly

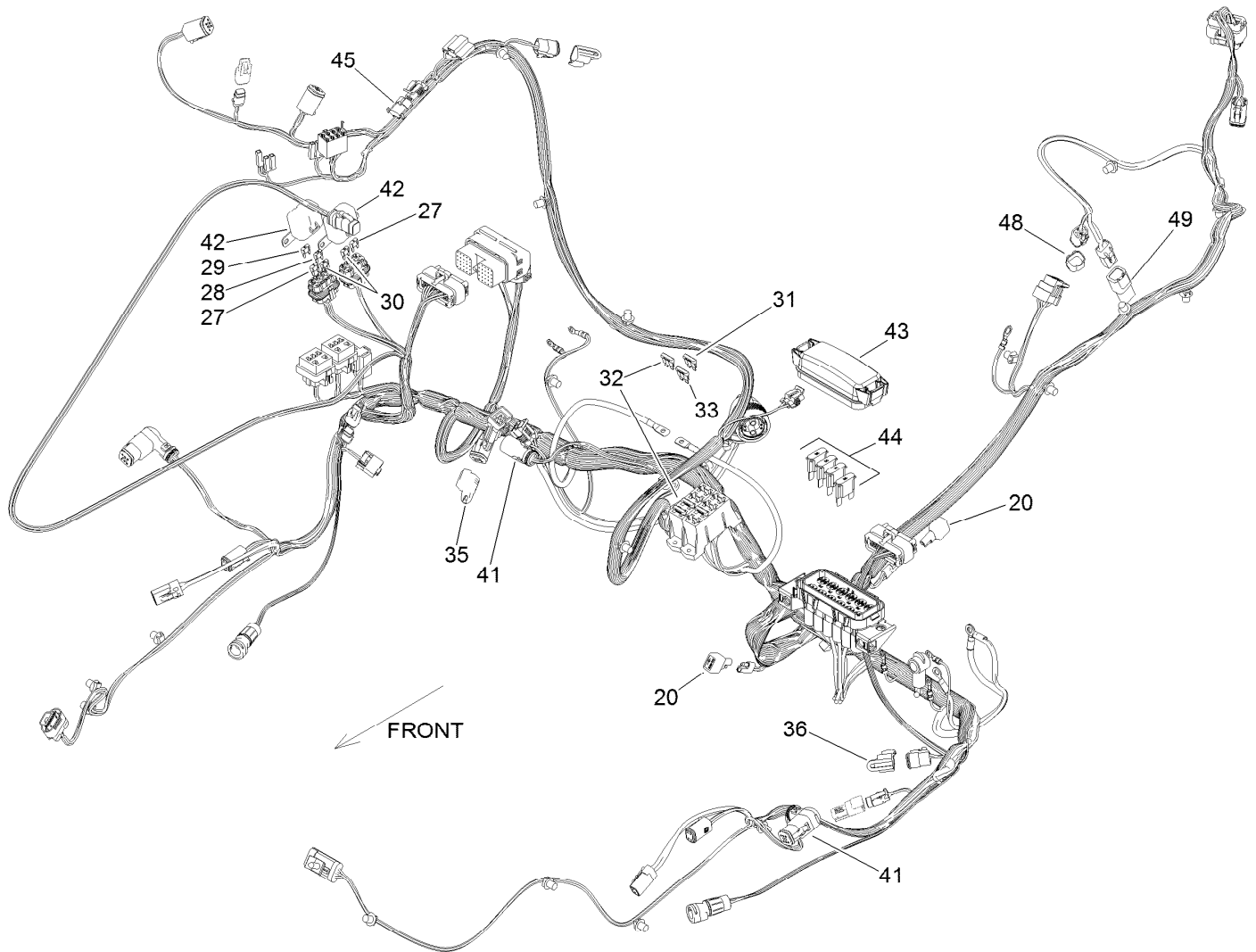
Ref.	Part Number	Qty.	Description	Ref.	Part Number	Qty.	Description
2	19-1470	1	Screw-Shoulder	20	122-1274	2	Contactora-DC, 48V
3	99-6810	6	Screw-HHF	21	127-2371	4	Nut-HF
4	100-4352	2	Screw-HWH	22	132-9815	1	Strap-Jumper
5	104-7201	10	Nut-HF, NI	23	137-8196	1	Bracket-Components
6	107-0380	4	Nut-HF	23:2	137-8127	2	Decal-No Spray
7	107-0394	8	Washer-Flat	24	147-3084	1	Cover-LH
8	112-3306	1	Nut	25	122-3646	1	Fuse-80A
9	114-3318	2	Holder-Fuse, Mega	26	137-7722	1	Fuse-150 Amp
10	120-4578	6	Nut-HF	27	145-1439	1	Bracket-Fuses
11	120-4780	1	Controller-Motor, Traction	28	137-7861	1	Fuse Block ASM
11:1	33113-030	5	Screw-HH	28:4	120-4580	2	Nut-HF
11:2	33093-00	5	Washer-Flat	28:5	137-7863	1	Cover-Fuse
11:3	43-5930	5	Washer-Lock, Spring	29	137-8037	1	Decal-Fuses, Cutting Unit
12	3334-945	3	Tie-Cable	30	3274-51	4	Screw-HSH
13	3290-379	4	Tie-Cable	33	3296-2	2	Nut-Lock, NI
14	122-1921	1	Harness-Wire, E-Tri-Flex	34	32105-13	6	Screw-HWH
15	122-1695	1	Cable-Battery, Positive	36	32149-8	4	Nut-Keys
16	122-1698	1	Cable-Battery, Pos And Neg	37	145-4587	1	Charge Port Cover Kit
17	122-1108	1	Cable-Battery, Positive	37:1	121-4600	2	Nut-Hex
18	122-1112	1	Cable-Battery, Positive	37:2	145-4563	2	Bar-Pivot
19	122-1115	1	Cable-Battery, Negative	37:3	110-4068	4	Washer-Plastic



Electrical Assembly (continued)

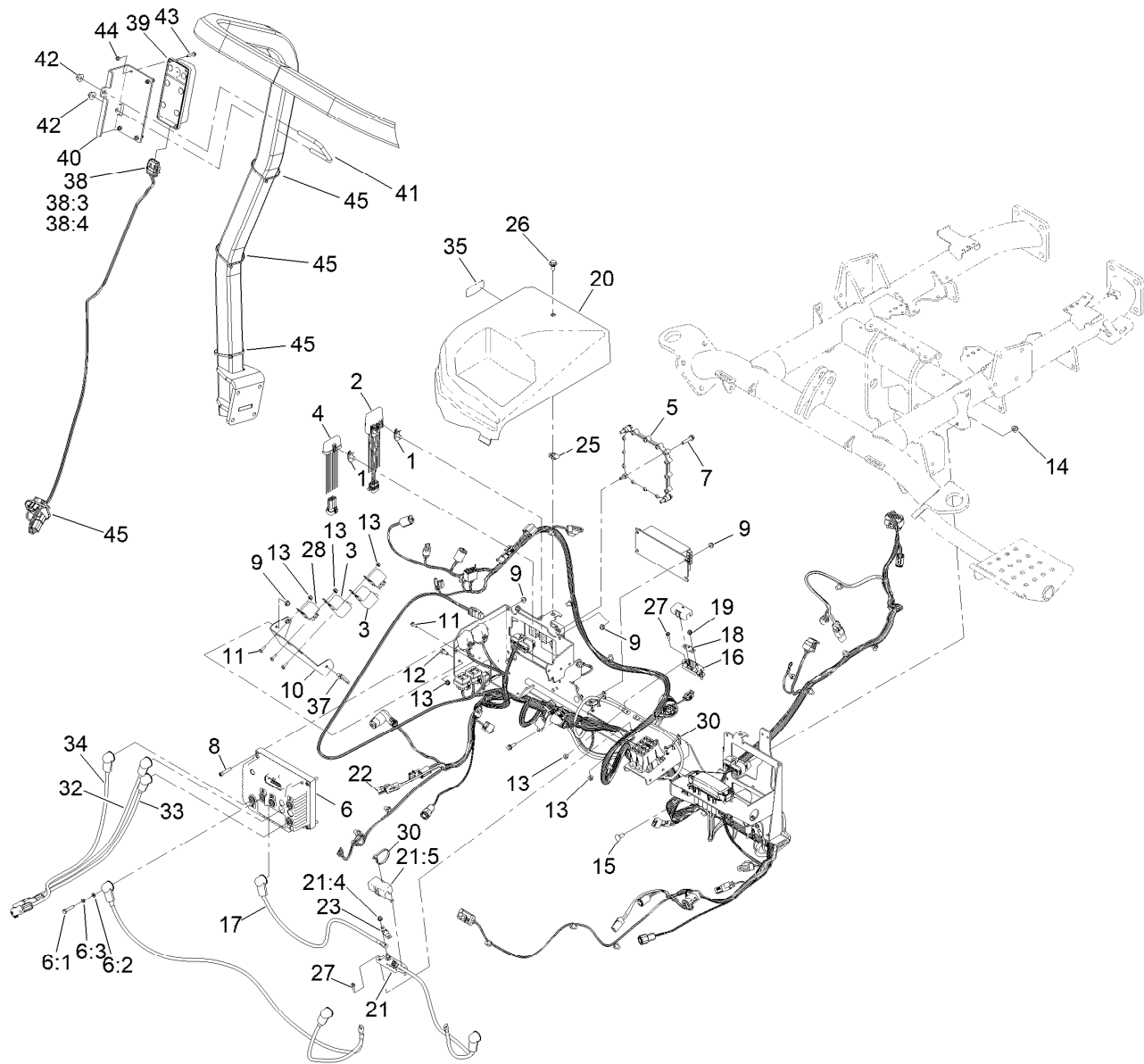
<i>Ref.</i>	<i>Part Number</i>	<i>Qty.</i>	<i>Description</i>
37:5	3274-94	2	Screw-HSBH
37:6	103-1166	2	Spacer-Tube, Pump Link
38	32180-103	2	Clip-Connector
39	52-6290	2	Screw-HSH
40	33104-016	1	Screw-HHF

<i>Ref.</i>	<i>Part Number</i>	<i>Qty.</i>	<i>Description</i>
41	3290-378	1	Tie-Cable
42	122-1611	1	Cable-Battery, Positive
43	122-1612	1	Cable-Battery, Positive
44	122-1613	1	Cable-Battery, Positive
45	119-7580	1	Decal-Smart, Energy



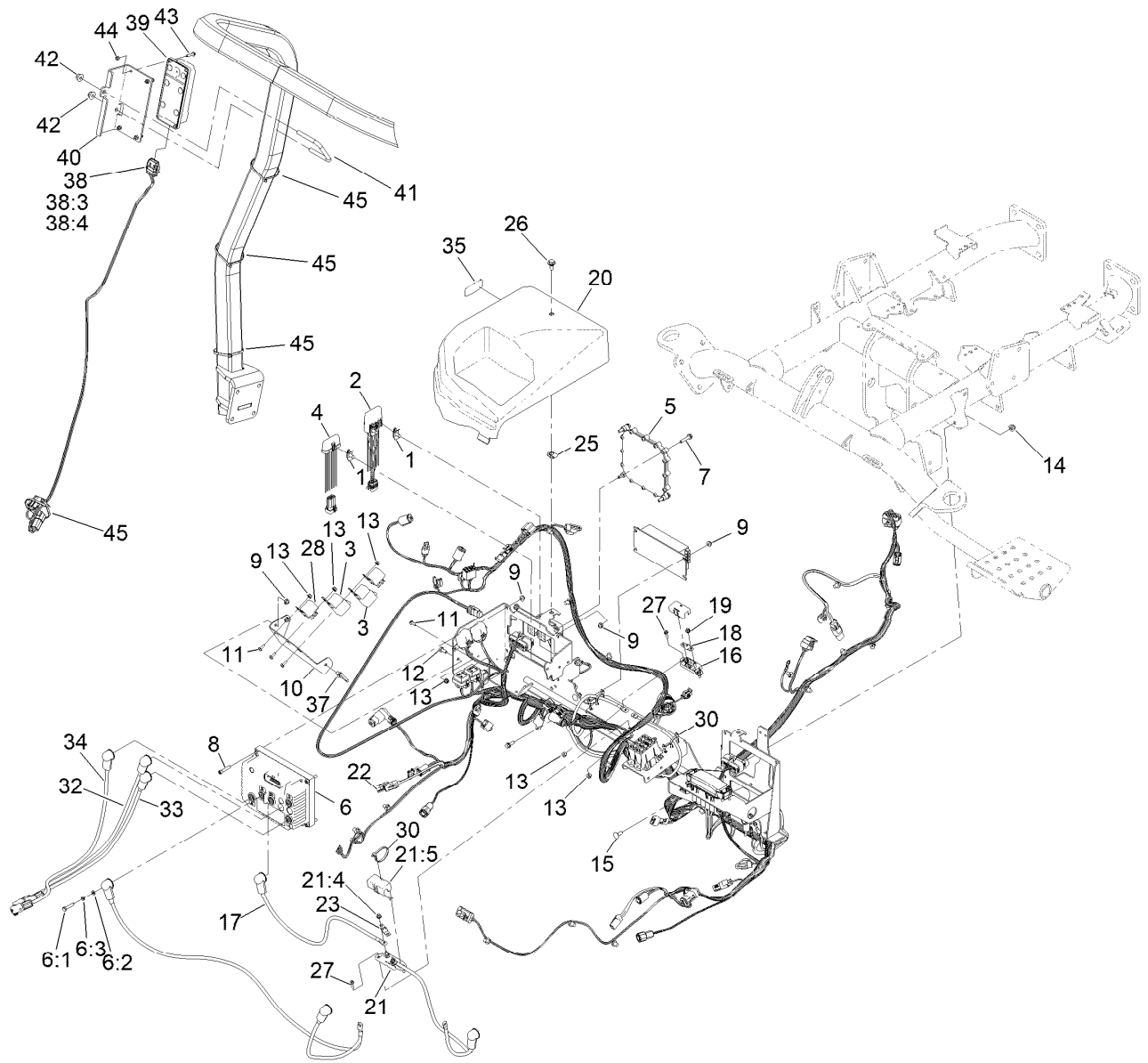
Wire Harness Assembly No. 122-1921

<i>Ref.</i>	<i>Part Number</i>	<i>Qty.</i>	<i>Description</i>	<i>Ref.</i>	<i>Part Number</i>	<i>Qty.</i>	<i>Description</i>
20	100-4918	2	Diode	36	32180-089	2	Cap-Plug, 3 Way
27	121-8861	2	Fuse-Mini Blade, 2 Amp	41	32180-090	3	Backshell-Deutsch, Dt06-06S 90 DEG
28	121-8865	1	Fuse-Mini Blade, 7.5 Amp	42	32180-179	2	Cover-Bussman
29	121-8866	1	Fuse-Mini Blade, 10 Amp	43	32180-146	1	Cover-Fuse
30	121-8867	2	Fuse-Mini Blade, 15 Amp	44	122-0255	3	Fuse-Maxi, 35 Amp-58V
31	117-4722	1	Fuse-Blade, 5A	45	32180-056	1	Cap
32	117-4724	4	Fuse-Blade, 10A	48	32180-260	1	Cap-Deutsch, Dust, 4 Way
33	117-4728	1	Fuse-Blade, 30A	49	32160-245	1	Connector
35	32180-156	1	Cap-Plug, 6 Way				



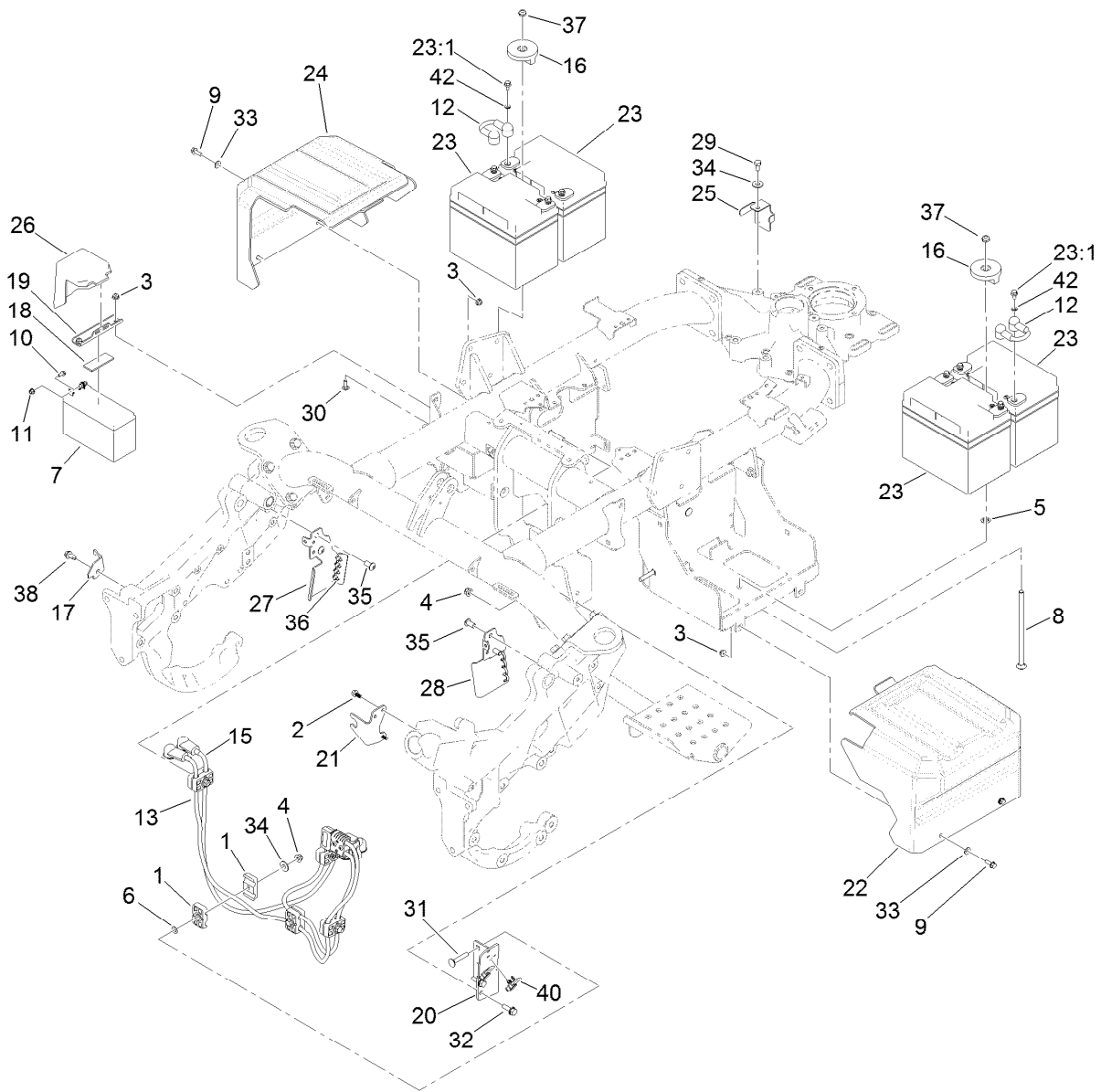
Controller Assembly

Ref.	Part Number	Qty.	Description	Ref.	Part Number	Qty.	Description
1	32180-011	3	Clip-Connector	19	120-4580	2	Nut-HF
2	119-4330	1	Isolated Can Module ASM	20	133-0095	1	Cover-RH
3	99-7430	2	Relay-Mini	21	137-7861	1	Fuse Block ASM
4	112-9630	1	Module-Reel, I.D.	21:4	120-4580	2	Nut-HF
5	127-2770	1	Controller	21:5	137-7863	1	Cover-Fuse
6	120-4780	1	Controller-Motor, Traction	22	32180-103	2	Clip-Connector
6:1	33113-030	5	Screw-HH	23	122-3646	1	Fuse-80A
6:2	33093-00	5	Washer-Flat	25	112-3306	1	Nut
6:3	43-5930	5	Washer-Lock, Spring	26	19-1470	1	Screw-Shoulder
7	127-8639	4	Screw-HHF	27	32105-13	4	Screw-HWH
8	3274-51	4	Screw-HSH	28	122-3199	1	Relay - Dg57CM
9	104-7201	10	Nut-HF, NI	30	3290-378	5	Tie-Cable
10	147-3088-0P	1	Bracket-Component	32	122-1614	1	Cable-Battery, Positive ASM
11	32105-23	7	Screw	33	122-1615	1	Cable-Battery, Positive ASM
12	321-3	2	Screw-HH	34	122-1616	1	Cable-Battery, Positive ASM
13	120-4578	11	Nut-HF	35	119-7580	1	Decal-Smart, Energy
14	104-8300	4	Nut-HF, NI	37	32180-030	1	Clip-Tie
15	3230-1	4	Bolt-CARR	38	122-2161	1	Harness-Wire
16	132-9796	1	Fuse-Holder, Midi Fuse	38:3	121-8861	1	Fuse-Mini Blade, 2 Amp
17	122-1110	1	Cable-Battery, Positive	38:4	32180-101	1	Cover-Fuse, Single
18	137-7708	1	Fuse-100 Amp	39	161-9001	1	Gateway-Telematics



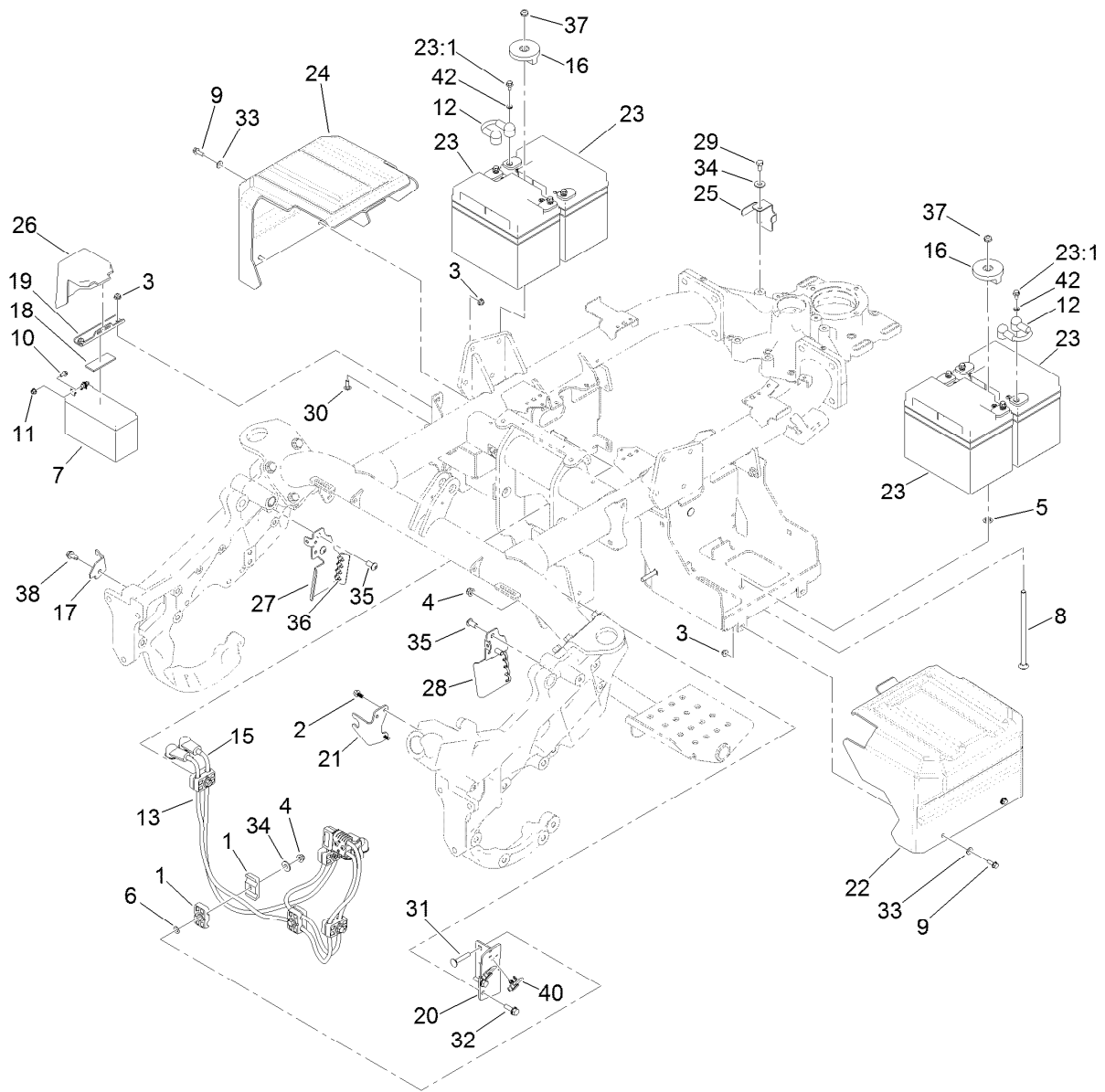
Controller Assembly (continued)

<i>Ref.</i>	<i>Part Number</i>	<i>Qty.</i>	<i>Description</i>	<i>Ref.</i>	<i>Part Number</i>	<i>Qty.</i>	<i>Description</i>
40	163-2492-03	1	Bracket-Mount, Hmu	43	131-6456	4	Screw-HWH
41	119-6727	1	U-Bolt	44	3296-2	4	Nut-Lock, NI
42	104-8301	2	Nut-HF, NI	45	3290-379	4	Tie-Cable



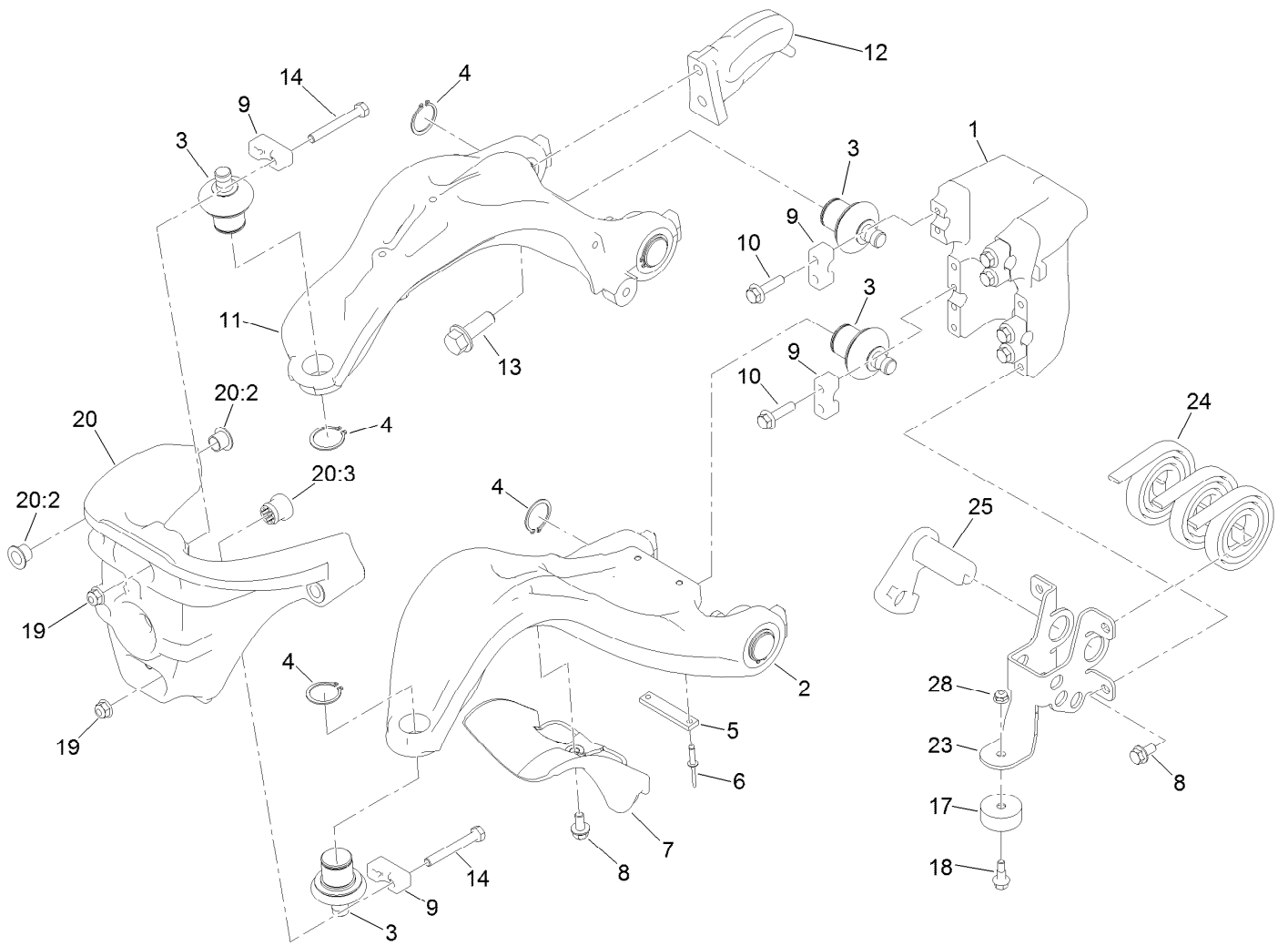
Battery Assembly

Ref.	Part Number	Qty.	Description	Ref.	Part Number	Qty.	Description
1	56-7976	10	Clamp-Tube	21	136-2697	1	Bracket-Hose
2	99-6810	2	Screw-HHF	22	137-7711	1	Cover-Battery
3	104-7201	6	Nut-HF, NI	23	137-7734	4	Battery-Wet, 12V 33Ah, Sealed
4	104-8300	7	Nut-HF, NI	23:1	33113-012	2	Screw-HH
5	107-3154	2	Nut-Push	24	137-7849	1	Cover-Battery, RH
6	109-5667	5	Nut-Push	25	137-7859	1	Bracket-Harness
7	112-9621	1	Battery-Wet, 12V 9Ah, Sealed W/Hrdwr	26	137-7867	1	Cover-Battery
8	117-1399	2	Bolt-Carriage	27	137-7905-01	1	Bracket-Harness, RH
9	32105-15	4	Screw-HWH	28	137-7906-01	1	Bracket-Harness, LH
10	120-4579	2	Screw-HHF	29	3210-2	1	Screw-HH
11	120-4580	2	Nut-HF	30	3229-1	2	Screw-CARR
12	122-1105	2	Positive Battery Cable ASM	31	3230-5	5	Bolt-CARR
13	122-1113	1	Positive And Negative Battery Cable ASM	32	3234-29	2	Screw-HHF
15	122-1381	1	Positive Battery Cable ASM	33	3256-1	4	Washer-Flat
16	127-2393	2	Hold Down-Battery	34	3256-3	6	Washer-Flat
17	139-8409	1	Brkt-Hose	35	3274-80	4	Screw-HH
18	133-0081	1	Strip-Foam	36	3290-378	8	Tie-Cable
19	133-0082	1	Channel-Clamp, Battery	37	3296-59	2	Nut-Lock, NI
20	133-0083-03	1	Bracket-Hose, Rear	38	32104-32	1	Screw-HWH



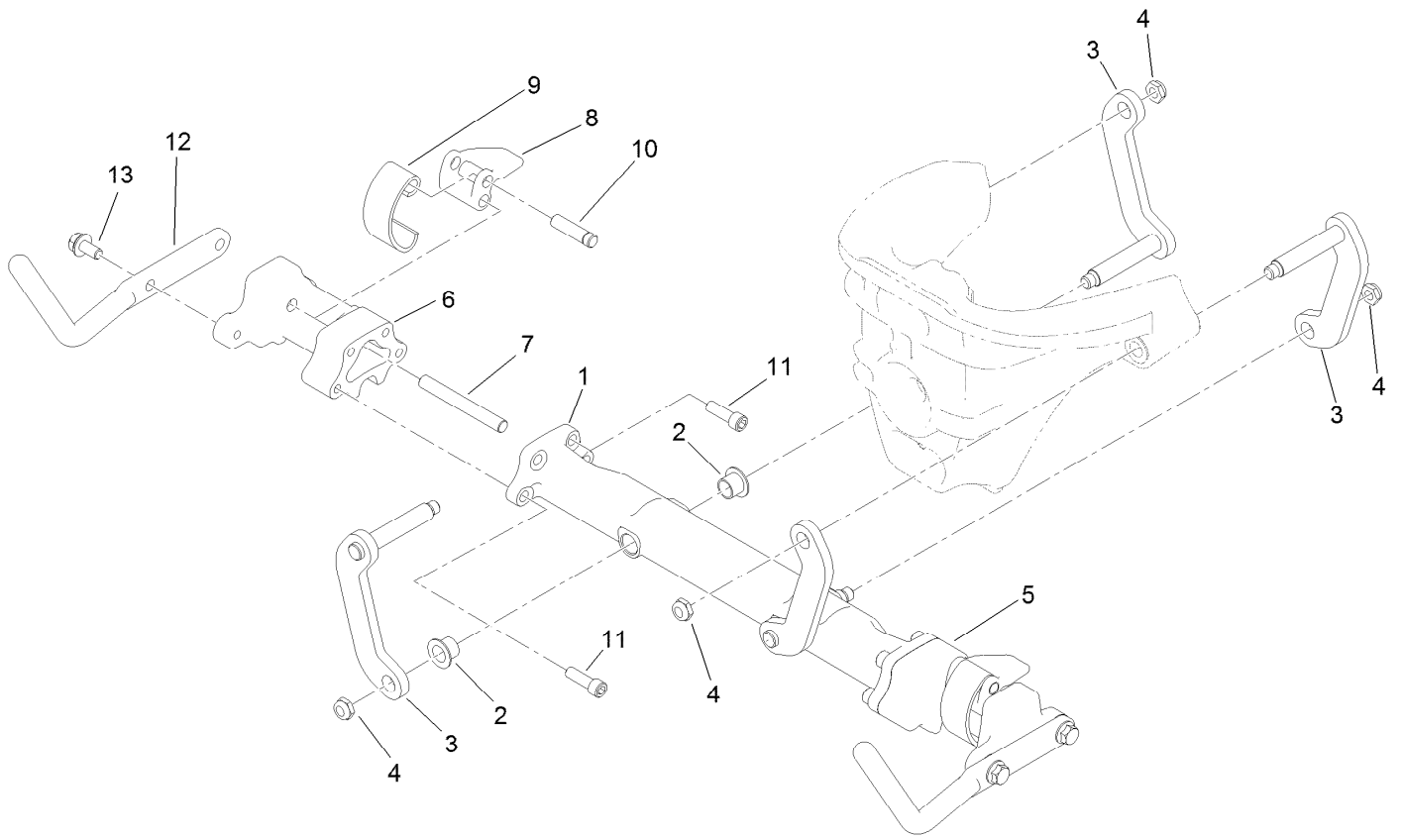
Battery Assembly (continued)

<i>Ref.</i>	<i>Part Number</i>	<i>Qty.</i>	<i>Description</i>
40	32180-103	2	Clip-Connector
42	43-5930	8	Washer-Lock, Spring



Suspension A-Arm Assembly

Ref.	Part Number	Qty.	Description	Ref.	Part Number	Qty.	Description
1	117-9480	1	Mount-Pivot, A-Arms	13	100-6116	2	Screw-HHF
2	117-6656	1	A-Arm, Lower	14	132-3838	4	Screw-HH
3	132-6959	6	Balljoint	17	133-0308	1	Bumper-Rubber
4	120-3225	6	Ring-Retaining, EXT	18	133-0315	1	Screw-Shoulder, HF
5	117-6674	1	Plate-Striker	19	161-4706	4	Nut-Flange,Nylock
6	3269-28	2	Rivet-Pop	20	120-3216	1	Steering Head ASM
7	117-6755	1	Stop-Steering	20:2	125-5239	4	Bushing-Flange
8	114-7728	5	Screw-HHF, Patch	20:3	131-1836	1	Grommet
9	112-5647	6	Clamp	23	140-5232	1	C-Balance Mount
10	132-3837	8	Screw-HHF	24	114-9306	3	Spring
11	139-6452	1	A-Arm, Upper	25	140-5234	1	Tensioner
12	139-8407	1	Plate-Lift	28	104-7201	1	Nut-HF, NI



Suspension Crossarm Assembly

<i>Ref.</i>	<i>Part Number</i>	<i>Qty.</i>	<i>Description</i>
1	120-3217	1	Crossarm
2	125-5239	4	Bushing-Flange
3	117-6654	4	Link
4	3296-59	4	Nut-Lock, NI
5	117-9482	1	Mount-Cross Arm, LH
6	117-9492	1	Mount-Cross Arm, RH
7	114-8051	2	Pin-Pivot
8	114-8047	2	Lever
9	114-8048	2	Spring
10	114-8049	2	Pin-Pivot
11	120-3227	8	Screw-HSH
12	120-2784-01	2	Horn-Basket
13	114-7728	4	Screw-HHF, Patch

Attachments and Accessories

For 04580 — Greensmaster eTriFlex 3360 Traction Unit

Product Name	Model/Part
Turf Evaluator	04399
Light Kit.....	04500
3WD Kit, Electric Triflex	04503
Standard Greensmower Seat Kit	04508
8-Blade DPA Reel Mower	04651
11-Blade DPA Reel Mower	04653
14-Blade DPA Reel Mower	04655
8-Blade TRIFLEX FWY Cutting Unit	04657
Anti-Bobbing Kit.....	04716
Dethatching Unit	04720
Tri-Roller.....	04722
Spiker	04723
Premium Seat.....	04729
Paint-Black Bottle	112-0176
Paint-Red Bottle	112-0178
Wireless Hourmeter.....	115-4754
Oil Filter	119-5852
Premium Armrest Kit.....	119-7105
Weight Kit	119-7129
Air Filter Element	120-7447
Filter-Air, Paper.....	120-7448
Armrest Kit.....	121-3660
Fuel Filter.....	121-4570
Hi-Back Seat Cover	133-1308
Rear Light Kit.....	137-7945
Front Light Mount Kit, TriFlex/eTriFlex	137-7947
Spark Arrestor, 1.25 I.D.	137-8098
Bag Kit.....	137-8130
Bimini Shade Kit	138-8579
Kit-Fuses	139-8482
Wheel-Assembly.....	144-3664
Tire - 20 X 10.00-8, 4ply.....	144-3665
Toro Red 12oz Aerosol Can	361-10
Semi-Gloss Black Spray Paint.....	361-9
400 Hour MVP Kit	44971
Spark Plug	92-2153
Height-of-Cut Bar.....	94-9010

Notes:



Count on it.