



Count on it.

Parts Catalog

**Greensmaster® eTriFlex 3360
Traction Unit**

Model No. 04580AA—Serial No. 400000000 and Up



Ordering Replacement Parts

To order replacement parts, please supply the part number, the quantity, and the description of each part desired.

Understanding Reference Numbers

Each identified part in an illustration has a reference number. The reference number for a part also appears in the parts list, along with other information about the part.

This catalog uses two special reference number formats, one to indicate parts in a service assembly and another to indicate the quantity of a given part in an illustration.

Service Assembly Reference Numbers

Parts in service assemblies have reference numbers in the form a:b. The a represents the reference number of the entire service assembly and the b represents a sequential number unique to each part within the service assembly.

For example, a wheel assembly might be identified by reference number 6, the tire by 6:1, the valve by 6:2, and the wheel by 6:3. When you order the assembly identified by reference number 6, you receive all parts identified by reference numbers 6:1, 6:2, and 6:3. However, you may also order any part individually. Reference numbers of this type appear in illustration and in parts lists.

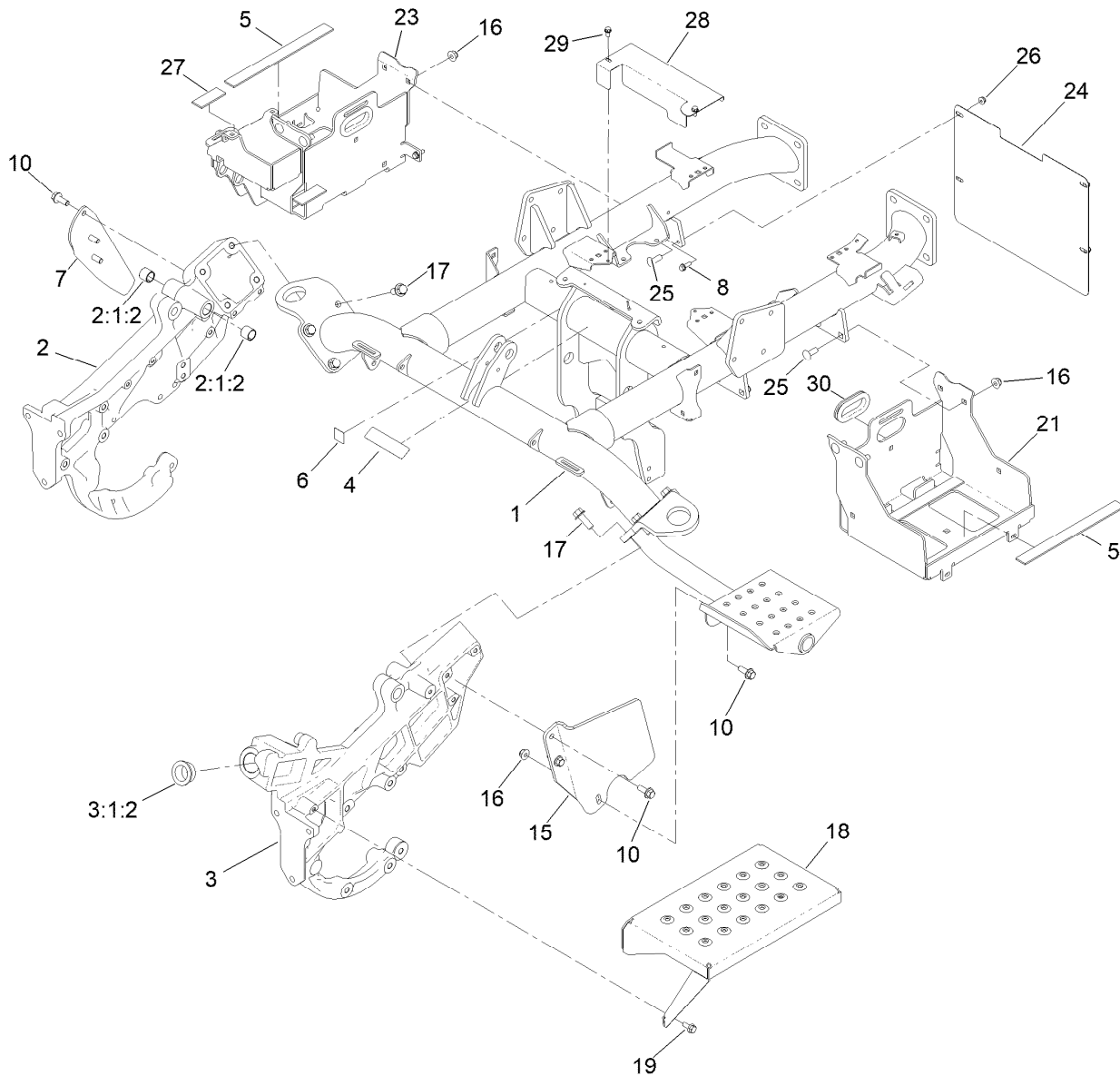
Reference Numbers Indicating Quantity

In an illustration, if a reference number indicates more than one part, the reference number has the form nX y. The n represents the quantity of the part, the X is the multiplication symbol, and the y represents the reference number.

For example, in an illustration, the reference number 2X 37 means that two of the parts identified by reference number 37 are indicated.

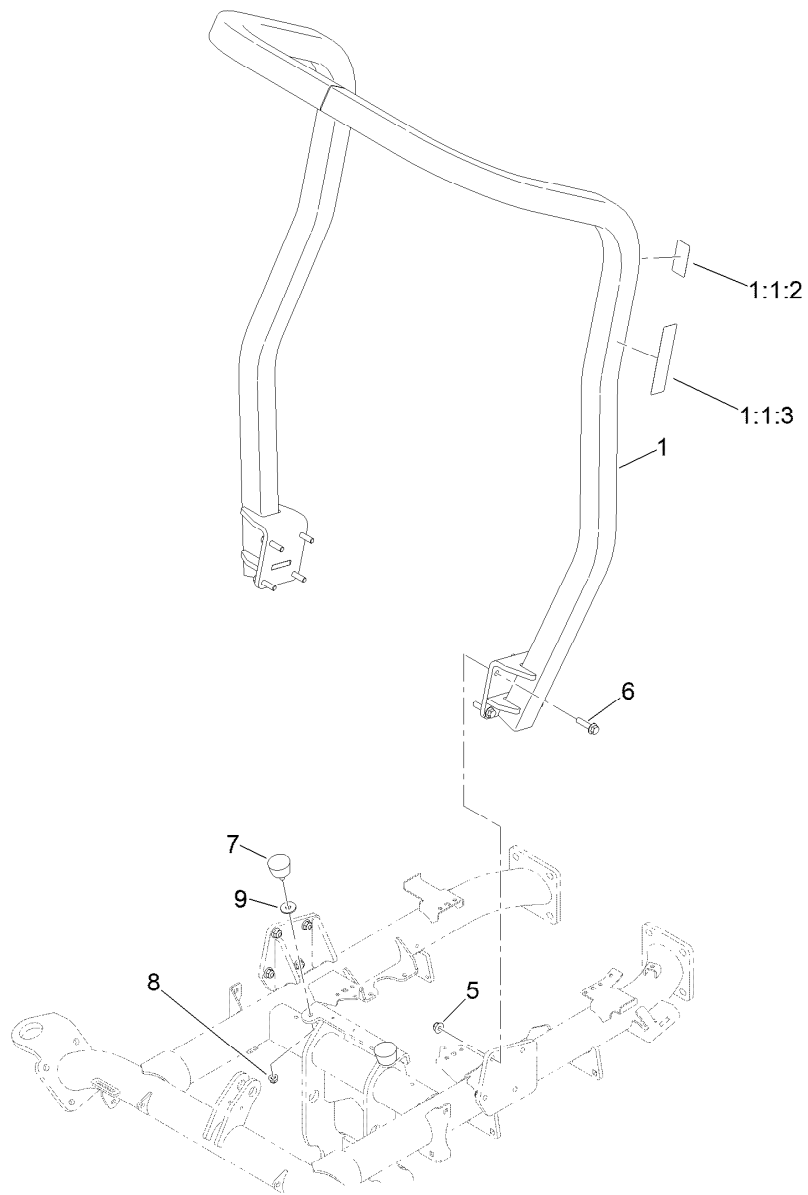
Contents

Frame Assembly	4
ROPS Assembly	5
Platform Assembly	6
Traction Pedal Assembly	7
Brake Pedal Assembly	8
Brake Actuator Assembly	9
Brake Rod Assembly No. 147-6168	10
Steering Assembly	11
Wheel and Tire Assembly	12
Wheel Spindle Assembly No. 119-4490	13
Console Assembly	14
Joystick Bracket Assembly No. 120-5280	15
Seat Plate Assembly	16
Seat Assembly No. 139-2680	17
Engine Assembly	18
Generator/Controller Assembly No. 127-2580	20
Generator Assembly No. 127-2579	22
Generator Service Assembly No. 127-2578	24
Traction Assembly	26
RH Wheel Motor Assembly No. 139-8565	27
Gearbox Assembly No. 127-1529	28
LH Wheel Motor Assembly No. 139-8567	29
Lift Assembly	30
Suspension, Reel Motor and Basket Assembly	31
Electric Reel Motor Assembly	32
GeoLink Suspension A-Arm Assembly	33
GeoLink Suspension Crossarm Assembly	34
Suspension Pin Position Assembly	35
Bumper Assembly	36
Fuel Tank and Hood Assembly	37
Hood Assembly No. 145-6692	38
Electrical Assembly	39
Wire Harness Assembly No. 122-2701	41
Controller Assembly	42
Battery Assembly	43
Sonar and Radar Assembly	45
Attachments and Accessories	46



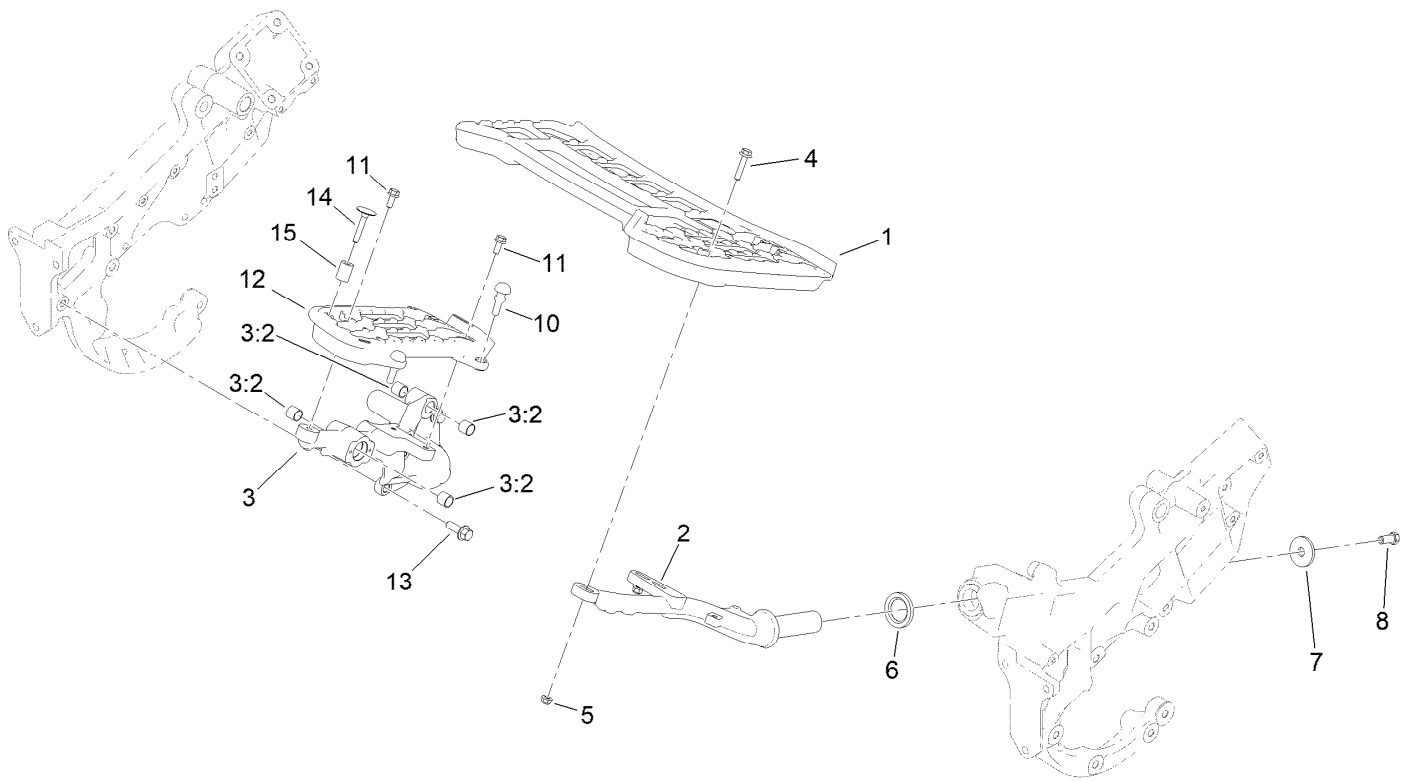
Frame Assembly

<i>Ref.</i>	<i>Part Number</i>	<i>Qty.</i>	<i>Description</i>	<i>Ref.</i>	<i>Part Number</i>	<i>Qty.</i>	<i>Description</i>
1	139-8585SP	1	Frame ASM	17	117-9035	8	Screw-HHF
2	139-8318	1	Side Casting, RH	18	132-9994-01	1	Step
2:1:2	94-9609	2	Bushing-Straight	19	3234-47	4	Screw-HHF
3	139-8319	1	Side Casting, LH	21	137-7972-01	1	Tray-Battery
3:1:2	60-0080	2	Bushing	23	137-7797-01	1	Tray-Battery, RH
4	133-8062	1	Decal-Spark Arrestor	24	147-6173-03	1	Shield-Heat
5	133-5782	4	Strip-Foam	25	3231-22	8	Screw-CARR
6	138-9470	1	Decal-Markings, CE-Uk	26	104-7201	6	Nut-HF, NI
7	133-0062-01	1	Bracket-Jack	27	133-0081	2	Strip-Foam
8	115-5103	6	Screw-HHF	28	145-6674-03	1	Cover-Pulley, Imu
10	3234-42	6	Screw-HHF	29	32144-4	2	Screw-HWH
15	133-0004-01	1	Bracket-Step	30	240-12	2	Grommet-Rubber
16	119-4042	9	Nut-HF, NI				



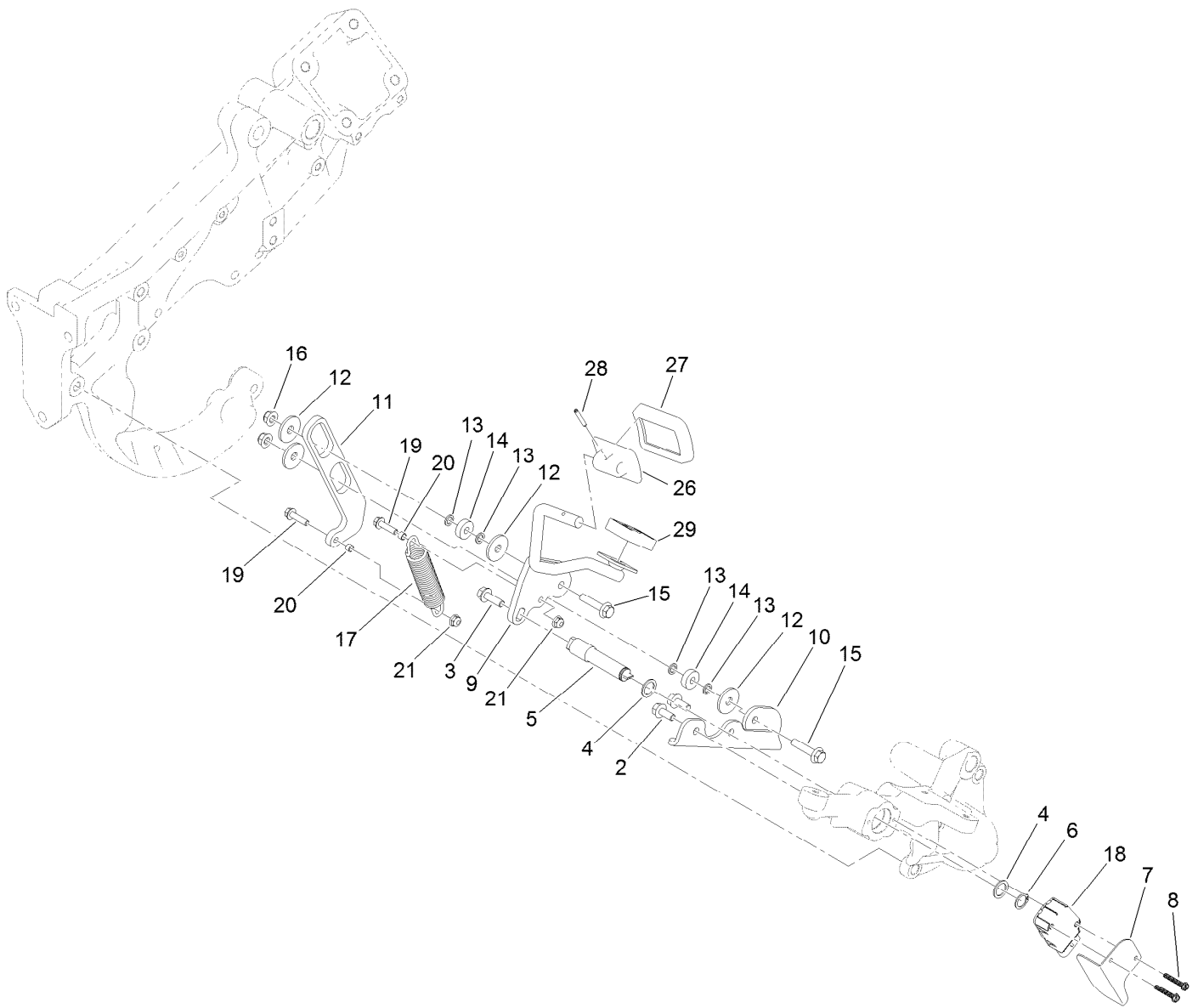
ROPS Assembly

<i>Ref.</i>	<i>Part Number</i>	<i>Qty.</i>	<i>Description</i>
1	139-8311	1	ROPS ASM
1:1:2	115-8199	1	Decal-ROPS
1:1:3	115-8226	1	Decal-ROPS
5	119-4042	8	Nut-HF, NI
6	137-7951	8	Screw-HHF
7	68-3270	2	Bumper-Rubber
8	119-4041	2	Nut-HF
9	52-2861	2	Washer



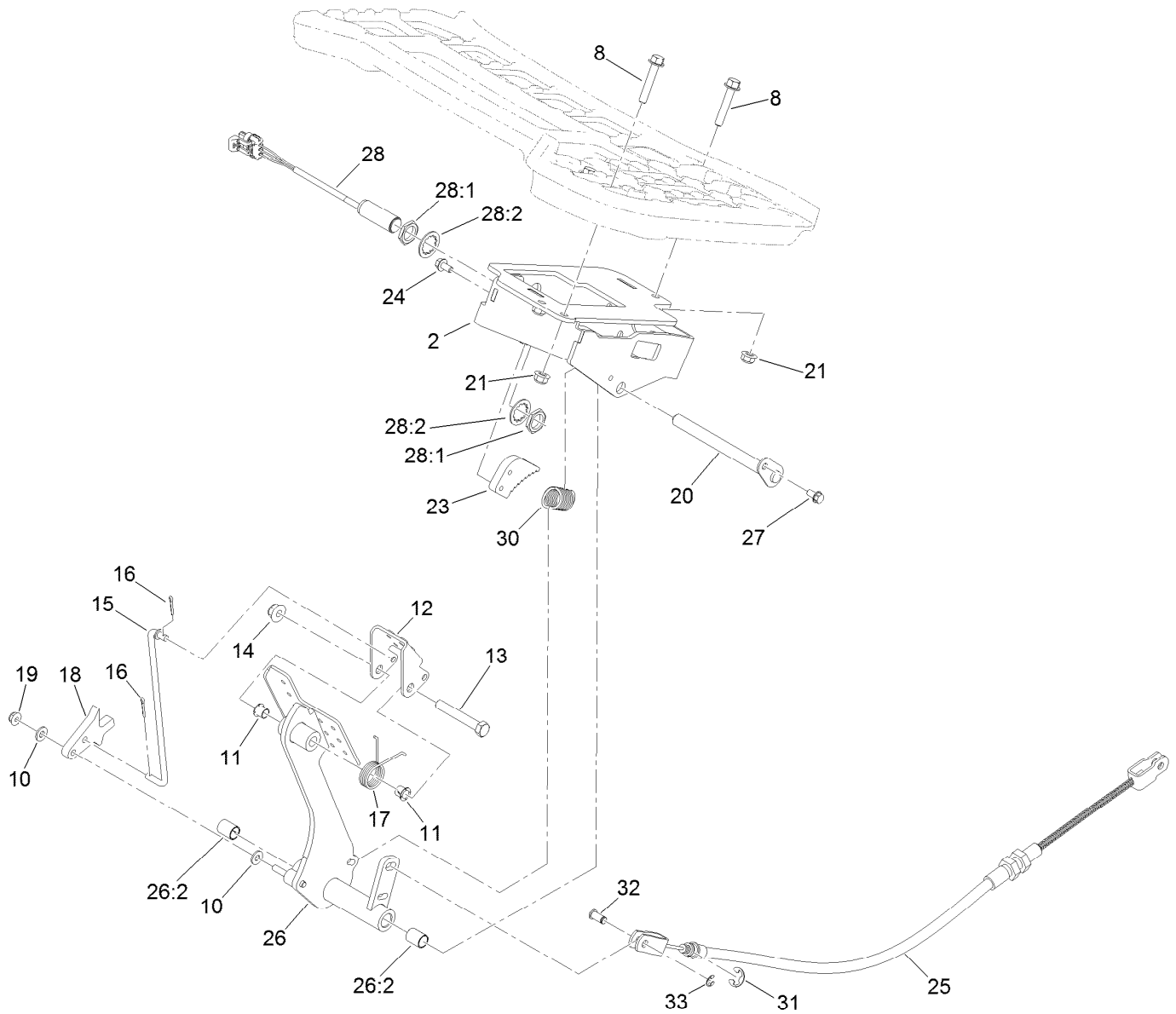
Platform Assembly

Ref.	Part Number	Qty.	Description
1	137-7768	1	Platform-LH
2	139-8575-01	1	Support-Platform, LH (Mach)
3	132-9895	1	Support-Platform, RH
3:2	256-311	4	Bushing
4	115-1794	3	Screw-HHF
5	119-4041	3	Nut-HF
6	94-8946	1	Washer-Thrust
7	84-1560	1	Washer-Thrust
8	324-4	1	Screw-HH
10	117-9072	2	Bumper-Rubber
11	3234-47	3	Screw-HHF
12	117-9008	1	Platform-RH
13	117-9035	3	Screw-HHF
14	115-8240	1	Screw-Elevator
15	119-0718	1	Spacer



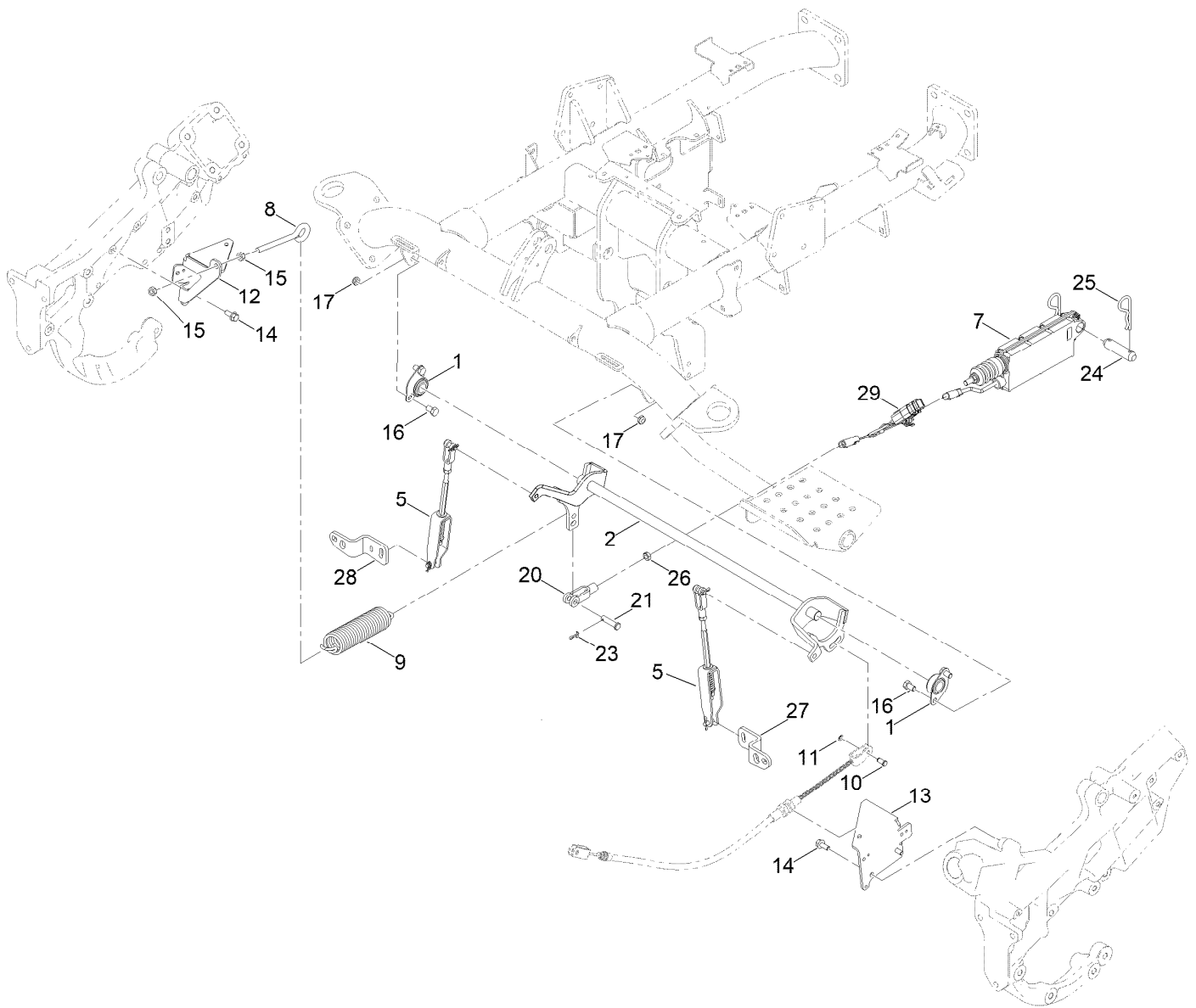
Traction Pedal Assembly

<i>Ref.</i>	<i>Part Number</i>	<i>Qty.</i>	<i>Description</i>	<i>Ref.</i>	<i>Part Number</i>	<i>Qty.</i>	<i>Description</i>
2	98-9940	2	Screw-HHF	14	251-259	2	Bearing-Ball
3	115-5142	1	Screw-HHF, Patch	15	115-1794	2	Screw-HHF
4	7-3590	2	Washer	16	119-4041	2	Nut-HF
5	132-9852	1	Shaft-Pedal	17	137-7944	1	Spring-Extension
6	32151-62	1	Ring-Retaining	18	122-0917	1	Sensor-Position
7	121-7035	1	Shield-Sensor	19	120-4654	2	Screw-HHF
8	692501	2	Screw-SHWH	20	121-2015	2	Spacer
9	137-7814-01	1	Rod-Traction	21	104-7201	2	Nut-HF, NI
10	137-7811-01	1	Bracket-Control, Motion	26	117-9507	1	Pedal-Accelerator
11	145-1063	1	Link-Connecting	27	74-9100	1	Pad-Pedal, Forward
12	107675	4	Washer	28	32121-45	1	Pin-Spring
13	75-5470	4	Spacer-Bearing	29	74-9110	1	Pad-Pedal, Reverse



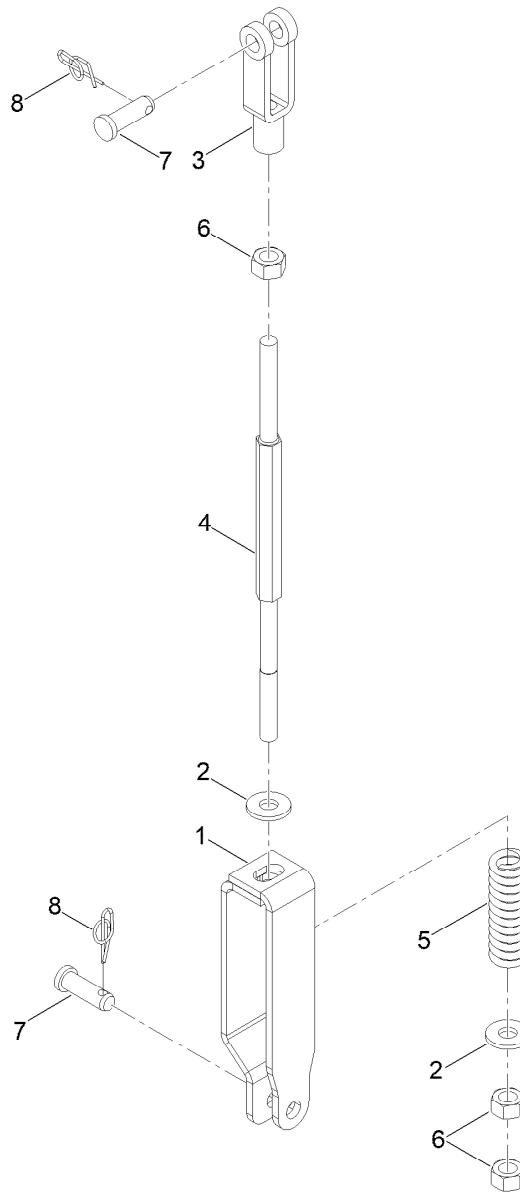
Brake Pedal Assembly

Ref.	Part Number	Qty.	Description	Ref.	Part Number	Qty.	Description
2	132-9890-03	1	Support-Pedal	23	99-7214	1	Pawl-Brake
8	94-5780	3	Screw-HWH	24	119-1065	2	Screw-Lock, HF
10	3256-22	2	Washer-Flat	25	137-7770	1	Cable-Brake
11	52-2891	2	Bushing-Flanged, Nylon	26	137-8109	1	Brake Pedal ASM
12	99-7963-03	1	Pedal-Park	26:2	133-0090	2	Bushing-Split
13	323-12	1	Screw-HH	27	32144-4	1	Screw-HWH
14	119-4042	1	Nut-HF, NI	28	115-5300	1	Sensor, Proximity Sensor ASM
15	115-0129	1	Rod-Pawl, Brake	28:1	117-3207	2	Nut-Hex
16	3272-6	2	Pin-Cotter	28:2	117-3208	2	Washer-Lock, Internal Tooth
17	99-7140	1	Spring-Torsion	30	136-7316	1	Spring-Extension
18	117-0238	1	Detent	31	32120-47	1	Ring-Retaining, External
19	104-7201	1	Nut-HF, NI	32	109-6887	1	Pin-Clevis
20	147-3599	1	Pivot-Pedal	33	701197	1	E-Ring
21	119-4041	3	Nut-HF				



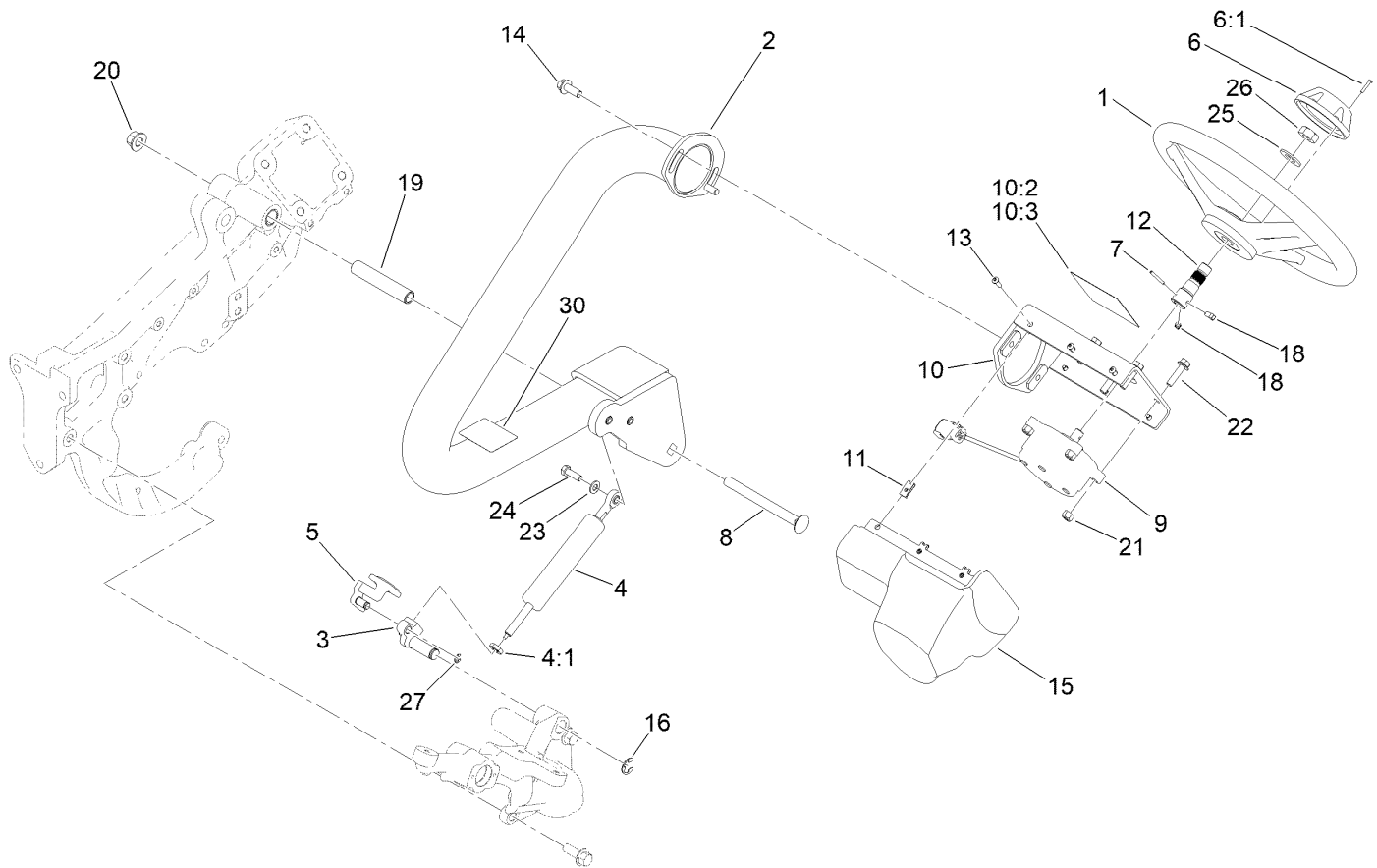
Brake Actuator Assembly

Ref.	Part Number	Qty.	Description	Ref.	Part Number	Qty.	Description
1	1-633102	2	Bearing-Flange, Side	16	323-34	4	Screw-HH
2	147-9092-03	1	Cross Shaft-Brake	17	3296-59	4	Nut-Lock, NI
5	147-6168	2	Brake Rod ASM	20	1-633131	1	Yoke-Linkage, Brake
7	163-8751	1	Actuator-Brake	21	283-10	1	Pin-Clevis
8	137-8026	1	Bolt-Eye	23	3272-10	1	Pin-Cotter
9	147-6167	1	Spring-Extension	24	27-4240	1	Pin-Cylinder
10	109-6887	1	Pin-Clevis	25	3290-256	2	Pin-Hair
11	701197	1	E-Ring	26	3220-3	1	Nut-HJ
12	137-7790-03	1	Bracket-Spring	27	147-9087	1	Lever-Brake, LH
13	137-7769-03	1	Bracket-Cable	28	147-9088	1	Lever-Brake, RH
14	98-9940	4	Screw-HHF	29	122-4210	1	Harness-Jumper
15	3217-7	2	Nut-Hex				



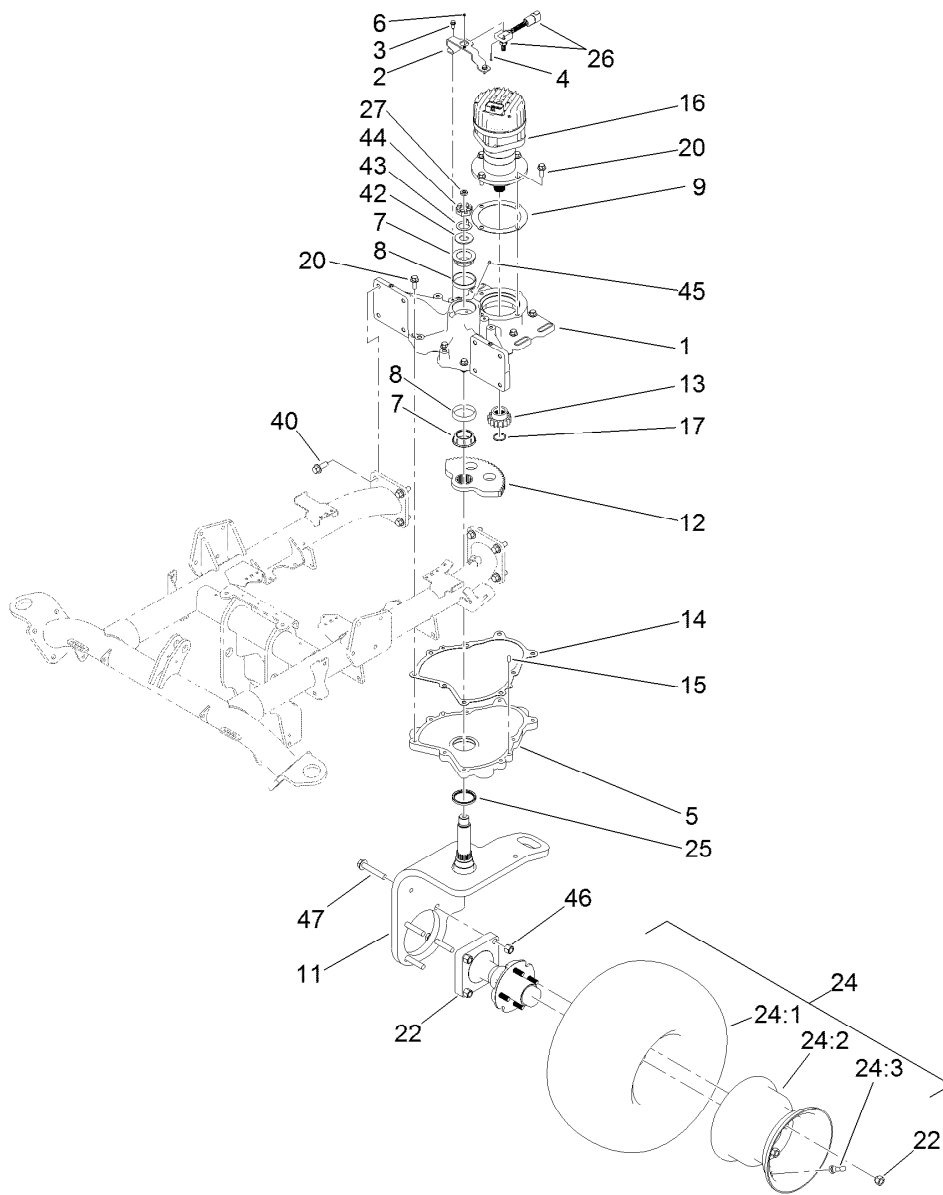
Brake Rod Assembly No. 147-6168

<i>Ref.</i>	<i>Part Number</i>	<i>Qty.</i>	<i>Description</i>
1	137-2180	1	Brake Clevis ASM
2	120-9646	2	Washer-Flat
3	282-2	1	Yoke
4	137-8056	1	Rod-Brake
5	147-6166	1	Spring-Compression
6	3219-2	3	Nut-Hex
7	283-1	2	Pin-Clevis
8	116-6639	2	Pin-Cotter, Locking



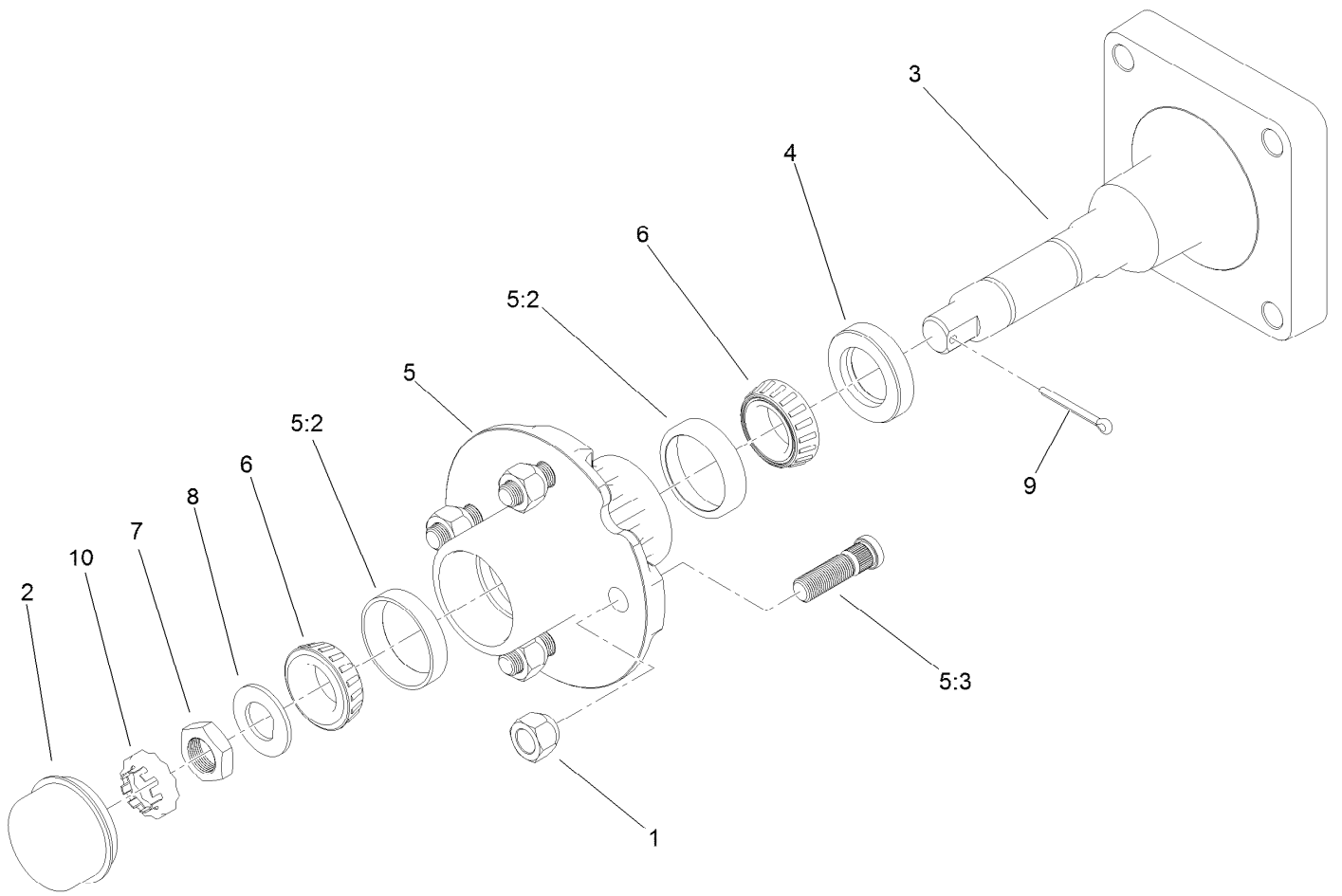
Steering Assembly

Ref.	Part Number	Qty.	Description	Ref.	Part Number	Qty.	Description
1	145-0051	1	Steering Wheel	13	3274-39	6	Screw-HSBH
2	145-0093-01	1	Arm-Steering	14	3234-42	2	Screw-HHF
3	133-8996	1	Lever-Pivot	15	119-9300	1	Cover-Valve, Steering
4	133-9036	1	Cylinder-Gas	16	32120-19	1	E-Ring
4:1	112-8617	1	Nut-Hex	18	126-3824	2	Screw-Set, SQH
5	138-6456	1	Lever (Mach)	19	117-9002	1	Spacer
6	68-5140	1	Cap-Wheel, Steering	20	139-1689	1	Nut-HF
6:1	32144-21	1	Screw	21	3296-29	4	Nut-Lock, NI
7	933156	1	Pin-Roll	22	119-4036	4	Screw-HHF
8	140-7029	1	Screw-CARR	23	3256-23	1	Washer-Plain
9	132-9935	1	Steering Unit	24	322-5	1	Screw-HH
10	137-8092	1	Steering Mount ASM	25	3256-27	1	Washer-Flat
10:2	139-8320	1	Decal-Danger	26	3296-33	1	Nut-Lock, NI
10:3	139-8321	1	Decal-Danger, CE	27	701197	1	E-Ring
11	3290-277	6	Nut-Speed	30	119-9346	1	Decal-Arm, Steering
12	136-4262	1	Shaft-Adapter, Steering				



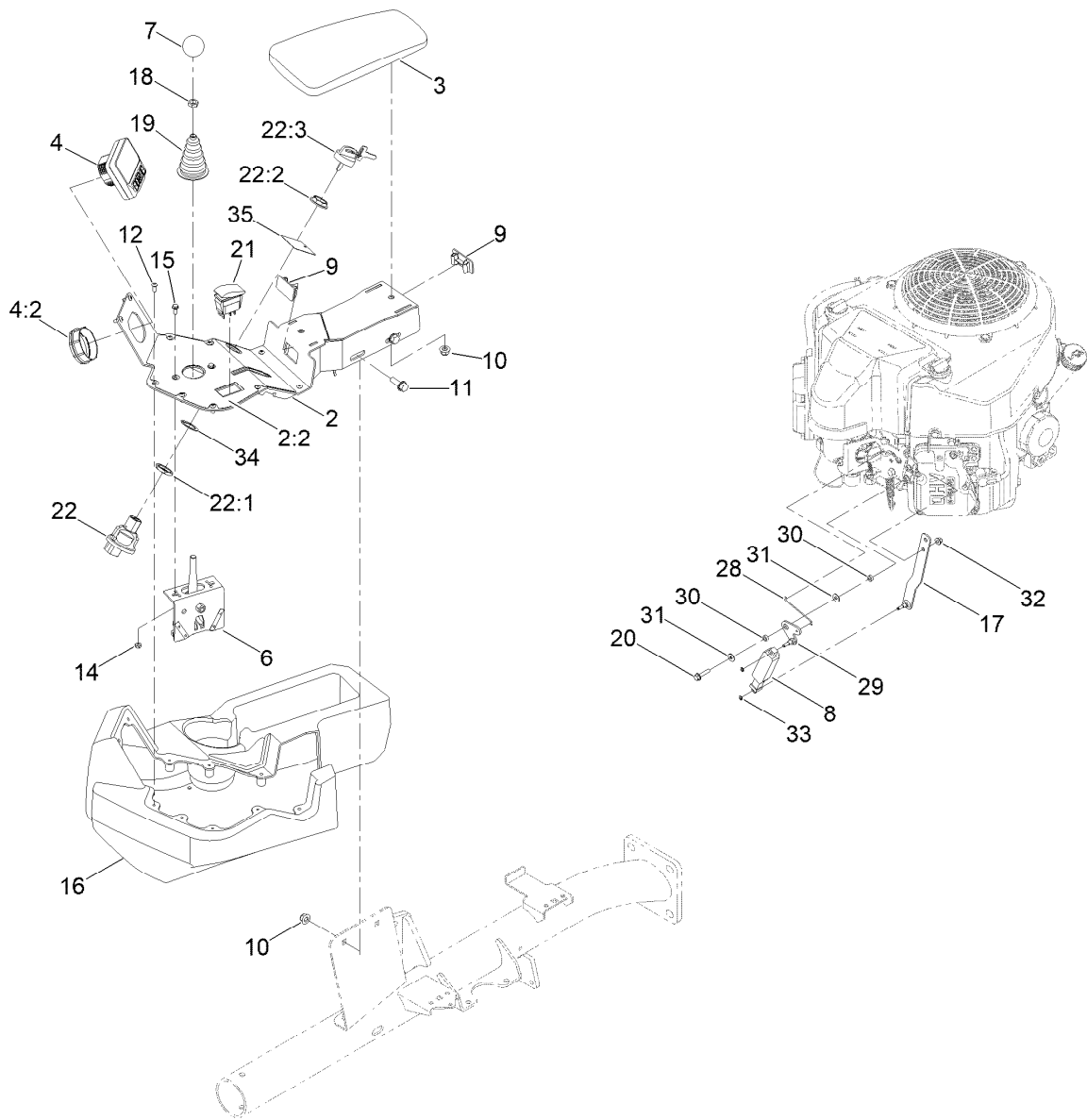
Wheel and Tire Assembly

Ref.	Part Number	Qty.	Description	Ref.	Part Number	Qty.	Description
1	139-8314	1	Housing-Steering	22	119-4490	1	Wheel Spindle ASM
2	137-7868-03	1	Bracket-Sensor, Steering	24	117-9033	1	Wheel And Tire ASM
3	32144-10	2	Screw-HWH	24:1	120-2783	1	Tire
4	3290-313	2	Screw-SPH	24:2	217-60	1	Rim
5	137-8166-03	1	Housing	24:3	232-27	1	Stem-Valve
6	3296-52	2	Nut-Lock, NI	25	108-7019	1	Seal-Shaft
7	107-7589	2	Cone-Bearing (W/ Seal)	26	122-0914	1	Sensor-Rotary, Body/Magnet Matched Set
8	107-7590	2	Cup-Bearing	27	112-8617	1	Nut-Hex
9	133-0347	1	Gasket	40	117-9035	8	Screw-HHF
11	139-8313	1	Fork-Caster	42	137-8171	1	Washer
12	137-8170	1	Gear-Spur, 64T	43	137-7943	1	Washer-Tang
13	133-0346	1	Pinion-16T	44	137-7942	1	Nut-Castle
14	133-0348	1	Gasket	45	302-59	1	Plug-EXT Hex Spl
15	136-2667	2	Pin-Dowel	46	3296-23	4	Nut-Lock, NI
16	133-0349	1	Steering Unit ASM	47	3234-40	4	Screw-HF
17	32120-2	1	Ring-Retaining				
20	3234-42	13	Screw-HHF				



Wheel Spindle Assembly No. 119-4490

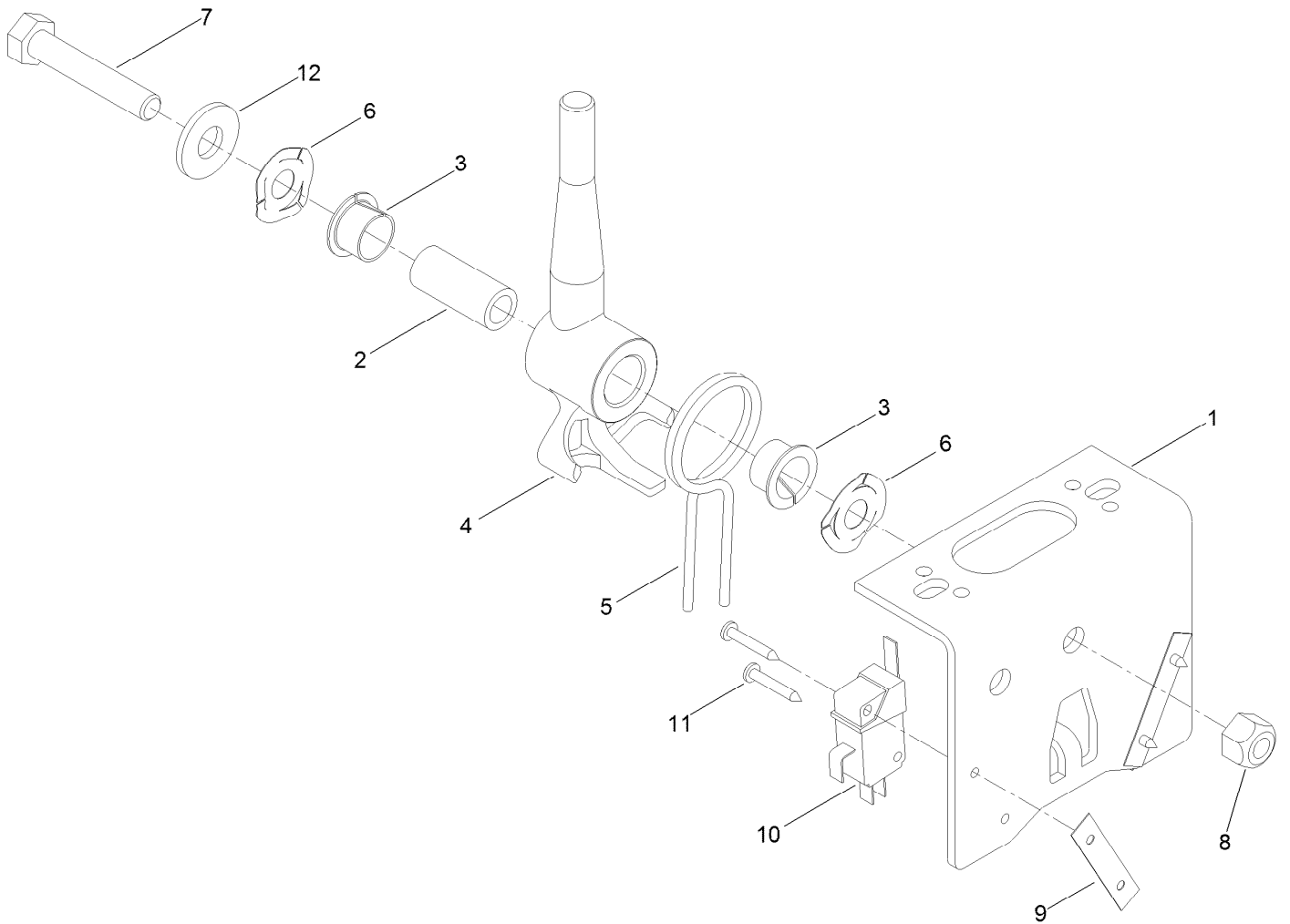
<i>Ref.</i>	<i>Part Number</i>	<i>Qty.</i>	<i>Description</i>
1	139-2564	4	Nut-Lug
2	241-119	1	Cap-Dust
3	112-7173	1	Spindle
4	112-1690	1	Seal-Oil
5	117-9093	1	Hub ASM
5:2	254-72	2	Bearing-Cup, Tapered
5:3	114-3918	4	Stud-Wheel
6	254-92	2	Cone-Bearing, Outer
7	117-8260	1	Nut
8	117-8259	1	Washer-Spindle
9	3272-18	1	Pin-Cotter
10	93-0307	1	Nut-Lock, Retainer



Console Assembly

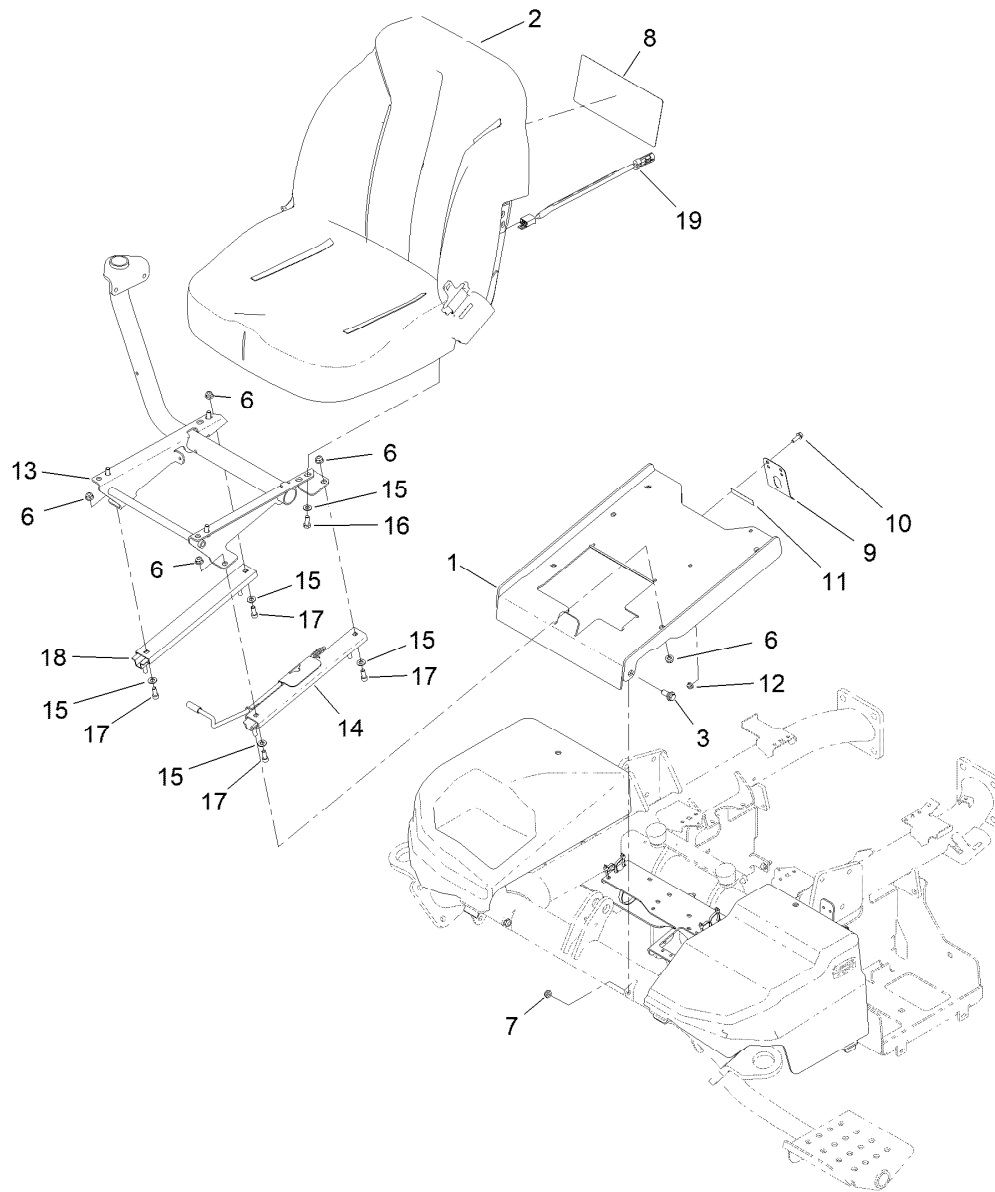
Ref.	Part Number	Qty.	Description
2	137-8094	1	Console ASM
2:2	137-8058	1	Decal-Console
3	108-7602	1	Rest-Arm
4	161-1700	1	Display-LCD
4:2	161-1723	1	Nut-Display
6	120-5280	1	Bracket-Joystick
7	120-9752	1	Knob-Round, Yellow
8	145-1377	1	Actuator-Choke
9	99-7420	2	Plug-Hole
10	119-4041	4	Nut-HF
11	3234-29	2	Screw-HHF
12	115-9830	10	Screw-HSBH
14	3296-12	2	Nut-Lock, NI
15	3290-321	2	Screw-HWH
16	132-9955	1	Cover-Console
17	145-6662	1	Choke Brkt ASM

Ref.	Part Number	Qty.	Description
18	3218-3	1	Nut-Jam
19	93-5961	1	Boot-Lever
20	121-9884	1	Screw-Hfh
21	112-3530	1	Switch-Rocker, On-On-On
22	161-4693	1	Switch-Ignition
22:1	121-5160	1	Nut-Hex
22:2	122-2704	1	Nut-Face, M22 (Plastic)
22:3	121-5162	1	Set-Key, Ignition
28	145-6643	1	Wire-Choke
29	145-6663	1	Choke Pivot ASM
30	115-7291	2	Spacer-Latch, Brake
31	3256-49	2	Washer-Plain
32	120-4580	1	Nut-HF
33	145-0341	2	Ring,Retaining
34	120-2036	1	Washer-Switch
35	147-6176	1	Decal-Key Switch



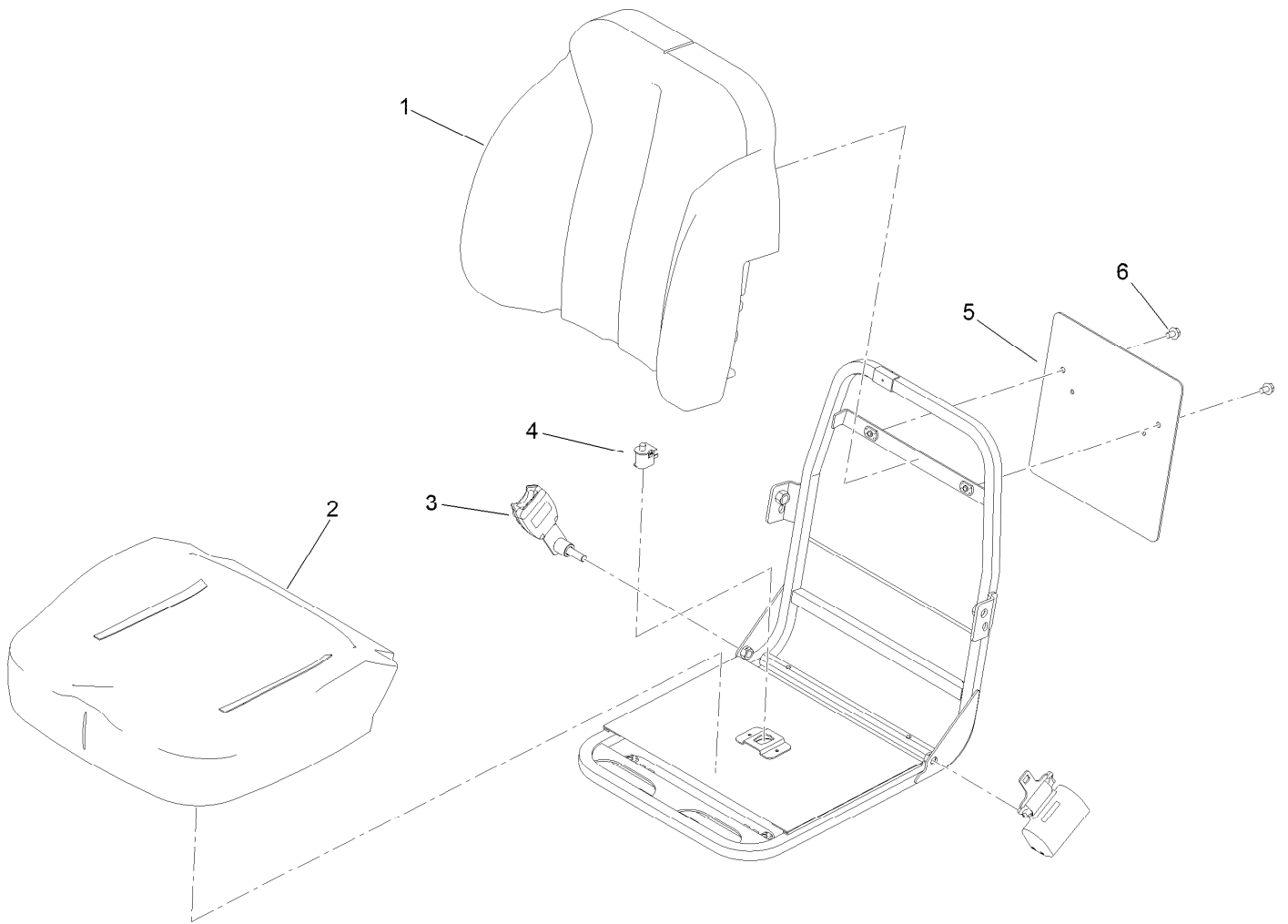
Joystick Bracket Assembly No. 120-5280

<i>Ref.</i>	<i>Part Number</i>	<i>Qty.</i>	<i>Description</i>
1	115-5357-03	1	Bracket-Joystick
2	106-4192	1	Spacer
3	93-5547	2	Bushing-Nylon
4	119-3540	1	Hub-Pivot, Joystick
5	105-8289	1	Spring-Torsion
6	106-4193	2	Washer-Finger, Spring
7	322-9	1	Screw-HH
8	3296-29	1	Nut-Lock, NI
9	3290-354	2	Nut-Speed
10	108-6496	2	Switch (W/Boot)
11	95-3003	4	Screw-PPHTF
12	3256-3	1	Washer-Flat



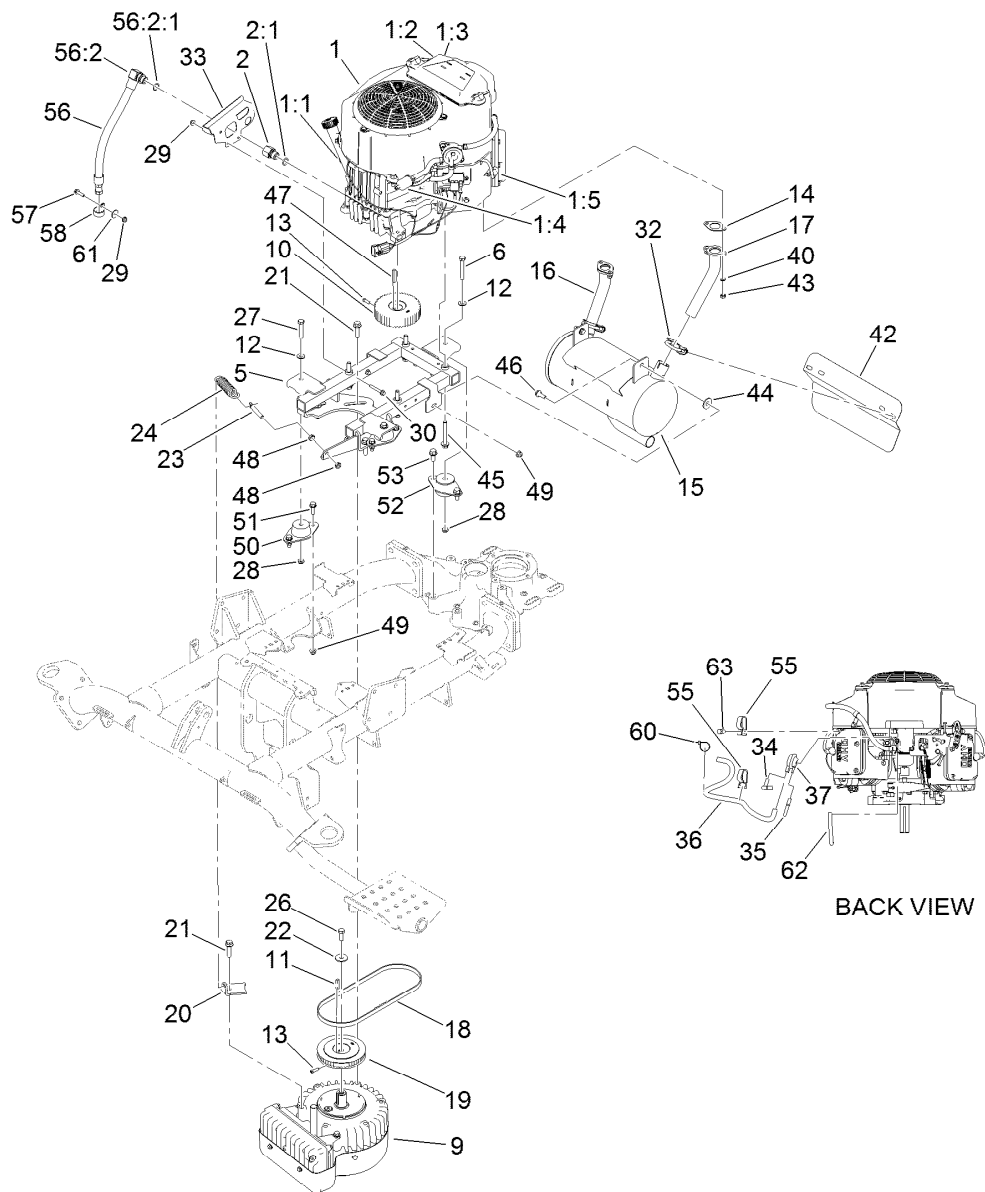
Seat Plate Assembly

<i>Ref.</i>	<i>Part Number</i>	<i>Qty.</i>	<i>Description</i>	<i>Ref.</i>	<i>Part Number</i>	<i>Qty.</i>	<i>Description</i>
1	139-8552-03	1	Plate-Seat	12	104-7201	2	Nut-HF, NI
2	139-2680	1	Seat ASM	13	139-6453-03	1	Mount-Console
3	94-7582	2	Bolt-Shoulder	14	133-8896	1	Seat Adjuster Lever ASM
6	119-4041	8	Nut-HF	15	3256-23	8	Washer-Plain
7	3296-59	2	Nut-Lock, NI	16	322-3	4	Screw-HH
8	137-8132	1	Decal-Service	17	3274-10	4	Screw-HSH
9	139-8557	1	Latch-Seat	18	92-8990	1	Adjuster-Seat, Non-Locking
10	115-5103	2	Screw-HHF	19	108-8657	1	Harness-Wire, Seat
11	120-5753	1	Strip-Foam				



Seat Assembly No. 139-2680

<i>Ref.</i>	<i>Part Number</i>	<i>Qty.</i>	<i>Description</i>
1	145-0083	1	Cover-Seat, Back
2	145-0084	1	Cover-Seat, Bottom
3	139-2707	1	Seat Belt Kit
4	82-2190	1	Switch-Bail
5	139-2701	1	Plate-Decal
6	3234-30	2	Screw-HHF

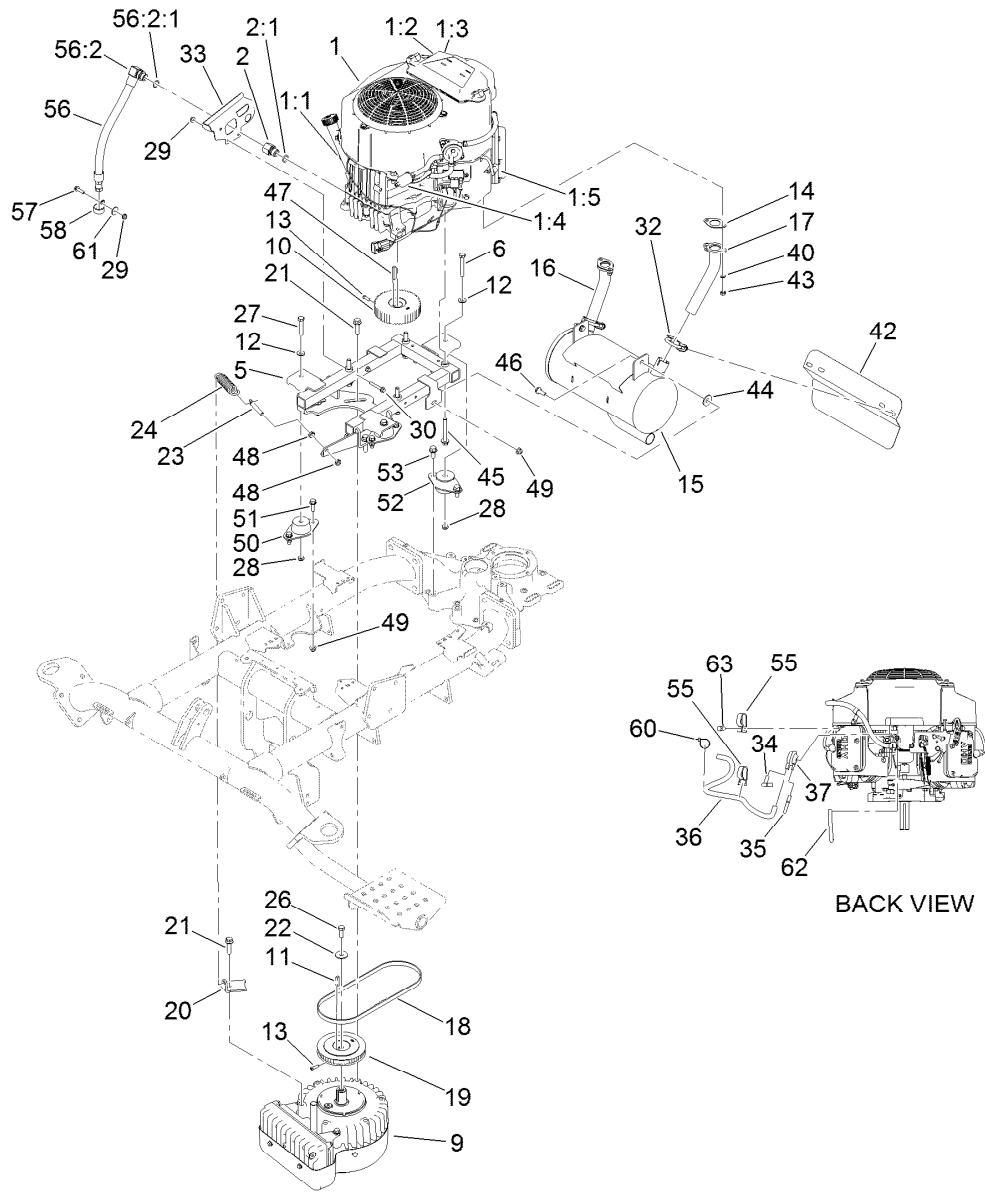


Engine Assembly

Ref.	Part Number	Qty.	Description	Ref.	Part Number	Qty.	Description
1		1	Engine-Kawasaki, Fs481V-S34 ●■	16	133-5750	1	Pipe-Exhaust, LH
1:1	119-5852	1	Filter-Oil	17	133-5751	1	Pipe-Exhaust, RH
1:2	120-7447	1	Filter-Air, Foam	18	137-7828	1	Belt-Timing
1:3	120-7448	1	Filter-Air, Paper	19	137-8131	1	Pulley ASM
1:4	121-4570	1	Filter-Fuel	20	133-5737	1	Bracket-Spring
1:5	92-2153	1	Plug-Spark	21	114-4681	5	Screw-HHF
2	139-8416	1	Fitting-Straight	22	63-8410	1	Washer
2:1	237-69	1	O-Ring	23	133-0332	1	Pin-Adjustment, Generator
5	133-5797-03	1	Frame-Engine	24	133-5738	1	Spring-Extension
6	323-12	1	Screw-HH	26	3211-4	1	Screw-HH
9	127-2580	1	Generator/Controller ASM	27	323-10	2	Screw-HH
10	137-8128	1	Pulley-Belt	28	3296-59	3	Nut-Lock, NI
11	5-0698	1	Key	29	104-7201	3	Nut-HF, NI
12	3256-24	3	Washer-Plain	30	32105-18	2	Screw-HHF
13	3241-6	4	Screw-SQH	32	104-4090	2	Clamp-Muffler
14	1-653313	2	Gasket-Exhaust	33	132-9908	1	Shield-Drip
15	133-5745	1	Muffler	34	119-8502	1	Hose-Vent, Formed
				35	119-8501	1	Hose-Vent, Formed

● Not serviced separately

■ Obtain parts from www.kawpower.com



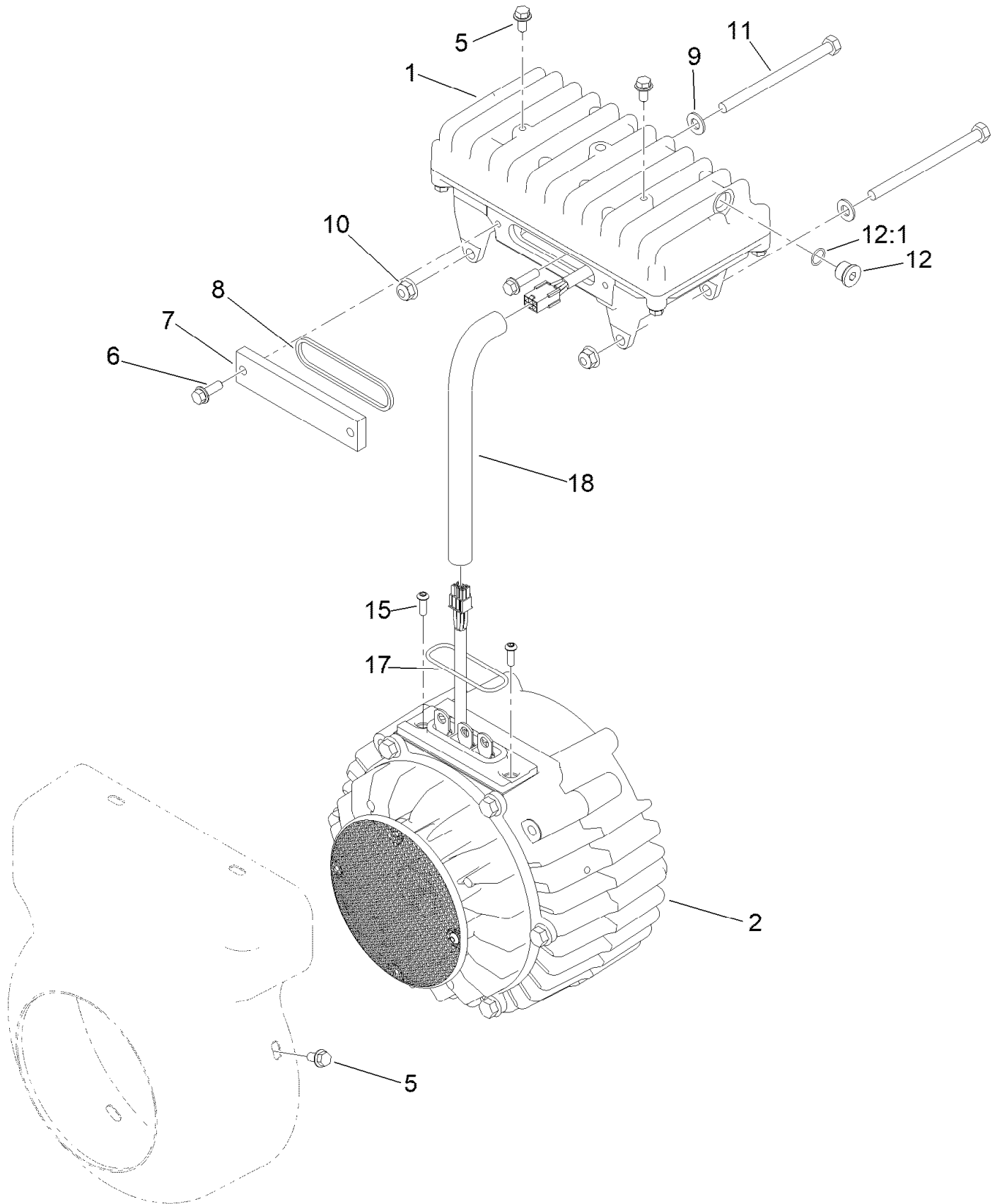
Engine Assembly (continued)

Ref.	Part Number	Qty.	Description	Ref.	Part Number	Qty.	Description
36	110-5701	1	Hose-Fuel	52	131-1821	1	Mount-Engine
37	116-2232	1	Valve-Control, Vacuum	53	3234-25	2	Screw-HHF
40	114-3550	4	Washer-Lock	55	92-5753	2	Clamp-Hose
42	147-6172-03	1	Shield-Exhaust, Rear	56	137-7864	1	Drain Hose ASM
43	114-3549	4	Nut	56:2		1	Plug-HH ●
44	3290-465	2	Washer-Belleville	56:2:1	237-42	1	O-Ring
45	132-9947	4	Screw-Hfh	57	120-4654	1	Screw-HHF
46	27-0410	2	Screw-Shoulder	58	2412-106	1	Clamp-R
47	67-7490	1	Key-Square	60	3290-379	1	Tie-Cable
48	3220-3	2	Nut-HJ	61	3256-67	1	Washer
49	119-4041	6	Nut-HF	62	139-8415	1	Tubing-Convolved, Slit
50	121-9076	2	Mount-Engine	63	33114-016	1	Screw-HH
51	3234-29	4	Screw-HHF				

● Not serviced separately

■ Obtain parts from www.kawpower.com

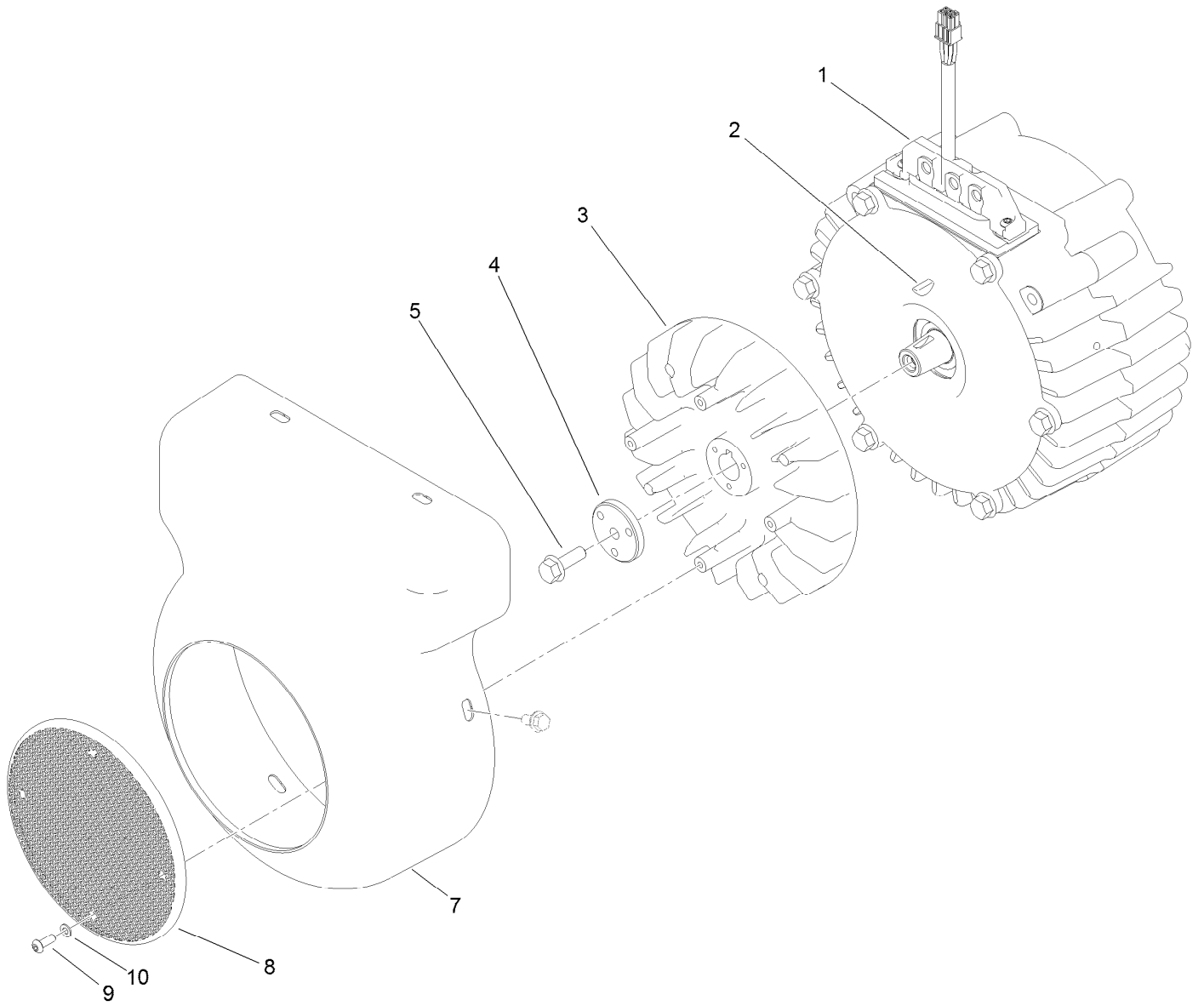
Generator/Controller Assembly No. 127-2580



Generator/Controller Assembly No. 127-2580 (continued)

<i>Ref.</i>	<i>Part Number</i>	<i>Qty.</i>	<i>Description</i>	<i>Ref.</i>	<i>Part Number</i>	<i>Qty.</i>	<i>Description</i>
1	117-8181	1	Controller ASM	11	322-38	2	Screw-HH
2	127-2579	1	Generator ASM	12	353-989	1	Plug-Hex, Hollow
5	119-1065	6	Screw-Lock, HF	12:1	237-42	1	O-Ring
6	119-1138	2	Screw-HHF, Patch	15	119-7568	2	Screw-HSBH
7	120-4511	1	Cover-Access	17	117-8176	1	O-Ring
8	120-4513	1	Gasket-Cover, Access	18	127-2747	1	Sleeve-Harness, Expandable
9	3256-23	2	Washer-Plain				
10	119-4041	2	Nut-HF				

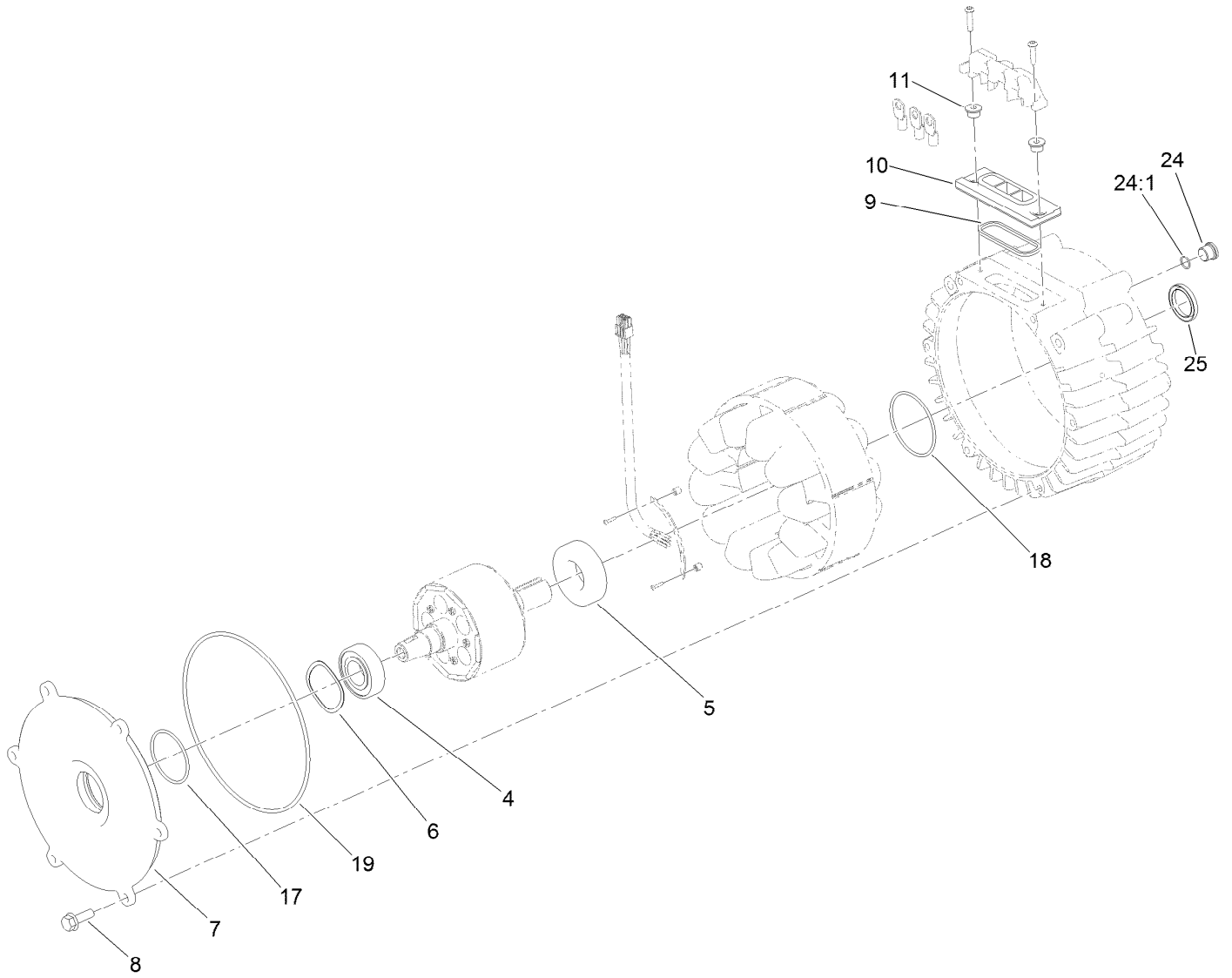
Generator Assembly No. 127-2579



Generator Assembly No. 127-2579 (continued)

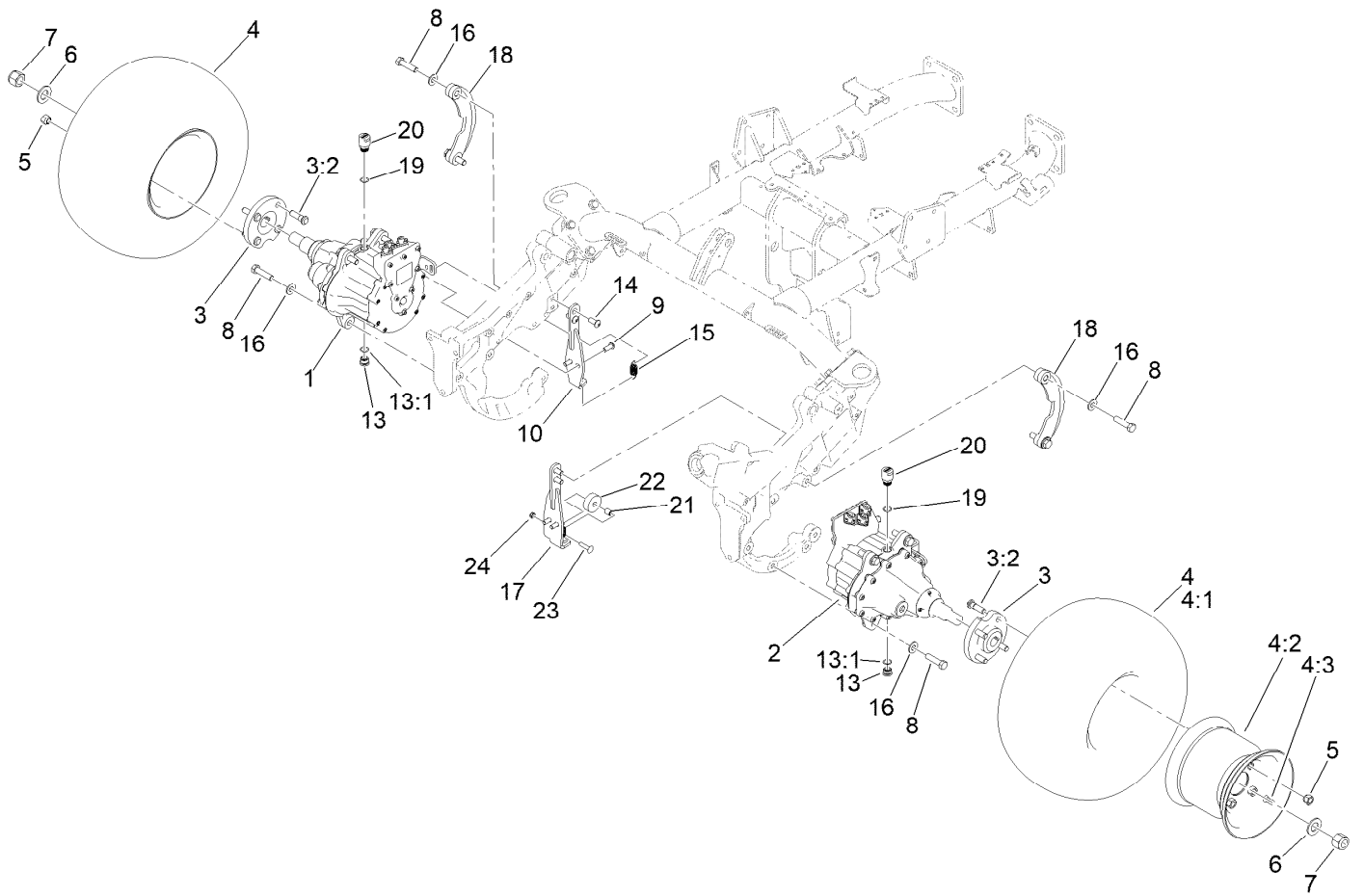
<i>Ref.</i>	<i>Part Number</i>	<i>Qty.</i>	<i>Description</i>	<i>Ref.</i>	<i>Part Number</i>	<i>Qty.</i>	<i>Description</i>
1	127-2578	1	Generator Service ASM	7	121-7082	1	Cover-Generator
2	112-5193	1	Key-Woodruff	8	120-4582	1	Screen-Fan
3	117-8184	1	Fan-Generator	9	120-4564	4	Screw-BHCS
4	112-9604	1	Collar	10	120-4563	4	Washer-Flat
5	33104-025	1	Screw-HHF				

Generator Service Assembly No. 127-2578



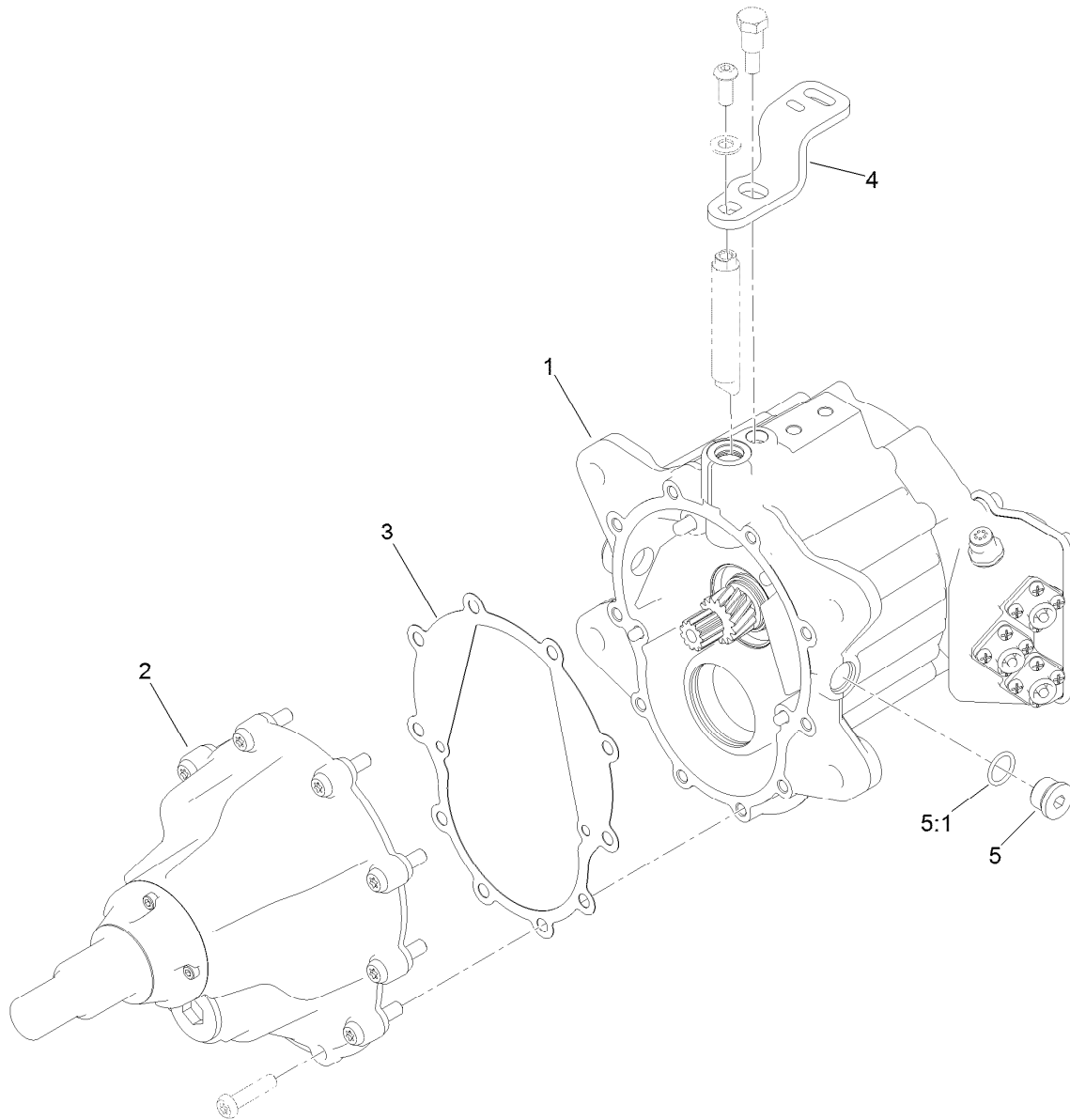
Generator Service Assembly No. 127-2578 (continued)

<i>Ref.</i>	<i>Part Number</i>	<i>Qty.</i>	<i>Description</i>	<i>Ref.</i>	<i>Part Number</i>	<i>Qty.</i>	<i>Description</i>
4	120-4621	1	Bearing	11	117-4501	2	Spacer-Shoulder
5	120-4622	1	Bearing	17	107-3244	1	O-Ring
6	117-8148	1	Washer-Wave	18	117-8177	1	O-Ring
7	117-4514	1	Cover-Generator	19	112-5199	1	O-Ring
8	33104-025	6	Screw-HHF	24	353-989	1	Plug-Hex, Hollow
9	120-4518	1	Gasket-Isolator	24:1	237-42	1	O-Ring
10	112-5155	1	Isolator-Thermal	25	125-1509	1	Seal



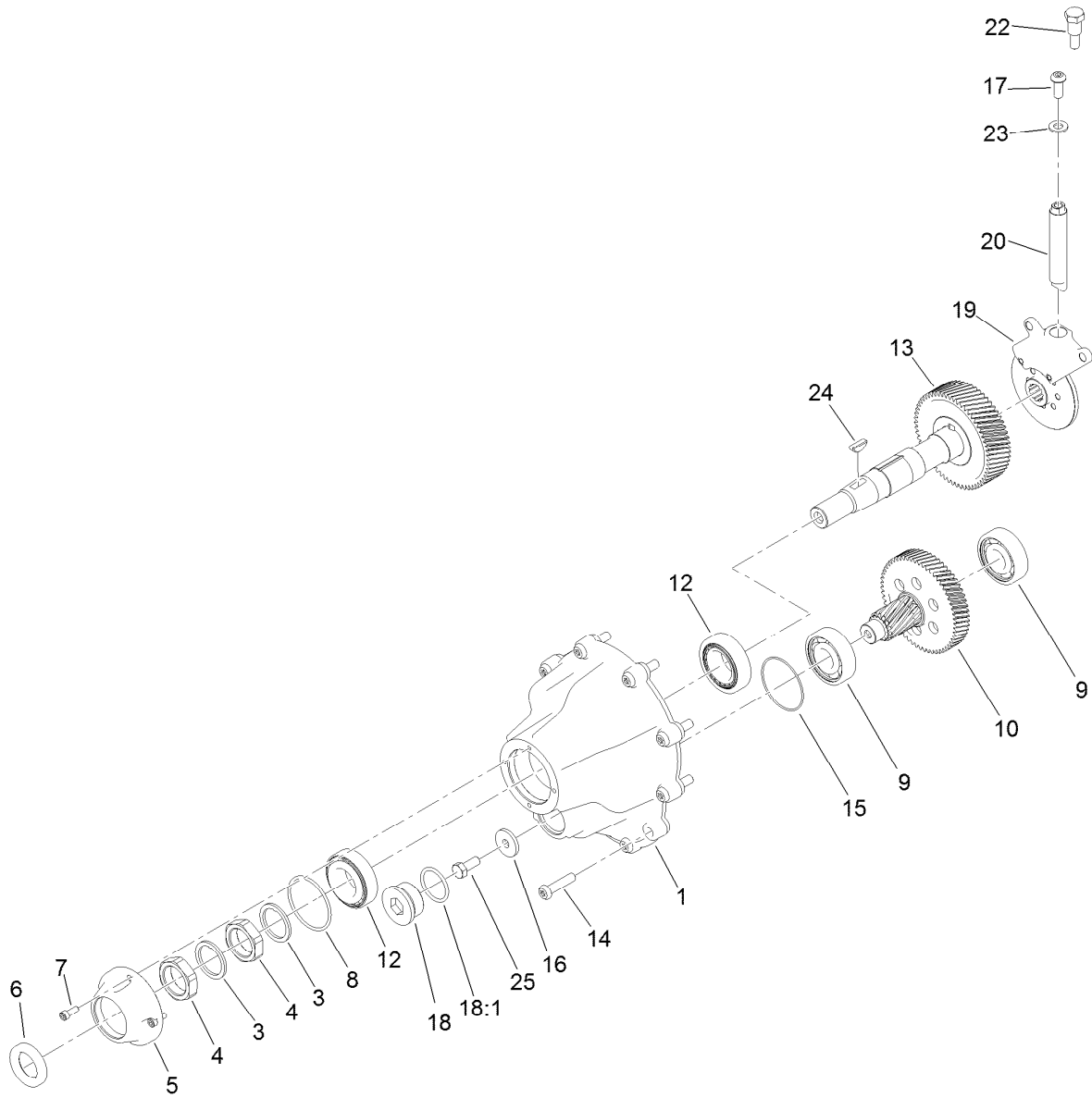
Traction Assembly

<i>Ref.</i>	<i>Part Number</i>	<i>Qty.</i>	<i>Description</i>	<i>Ref.</i>	<i>Part Number</i>	<i>Qty.</i>	<i>Description</i>
1	139-8565SP	1	RH Wheel Motor ASM	13	133-7659	2	Plug ASM W/Magnet
2	139-8567SP	1	LH Wheel Motor ASM	13:1	237-79	1	O-Ring
3	140-6228	2	Hub ASM-Wheel	14	3274-105	4	Screw-HSBH
3:2	10-6830	4	Stud-Type, Drive	15	136-7153	2	Spring-Extension
4	117-9030	2	Wheel And Tire ASM	16	87-7270	12	Washer-Thrust
4:1	120-2783	1	Tire	17	147-3601	1	LH Gusset
4:2	117-9032	1	Rim	18	132-9996-01	2	Link-Support
4:3	232-27	1	Stem-Valve	19	237-79	2	O-Ring
5	139-2564	8	Nut-Lug	20	139-8576	2	Valve-Breather
6	AU496-11094	2	Washer-Flat	21	88-7450	1	Spacer-Lever, Control
7	137-7973	2	Nut-Hex	22	139-8346	1	Roller
8	325-8	12	Screw-HH	23	112-6950	1	Screw-CARR
9	3274-94	4	Screw-HSBH	24	3296-47	1	Nut-Lock,NI
10	147-3600	1	RH Gusset				



RH Wheel Motor Assembly No. 139-8565

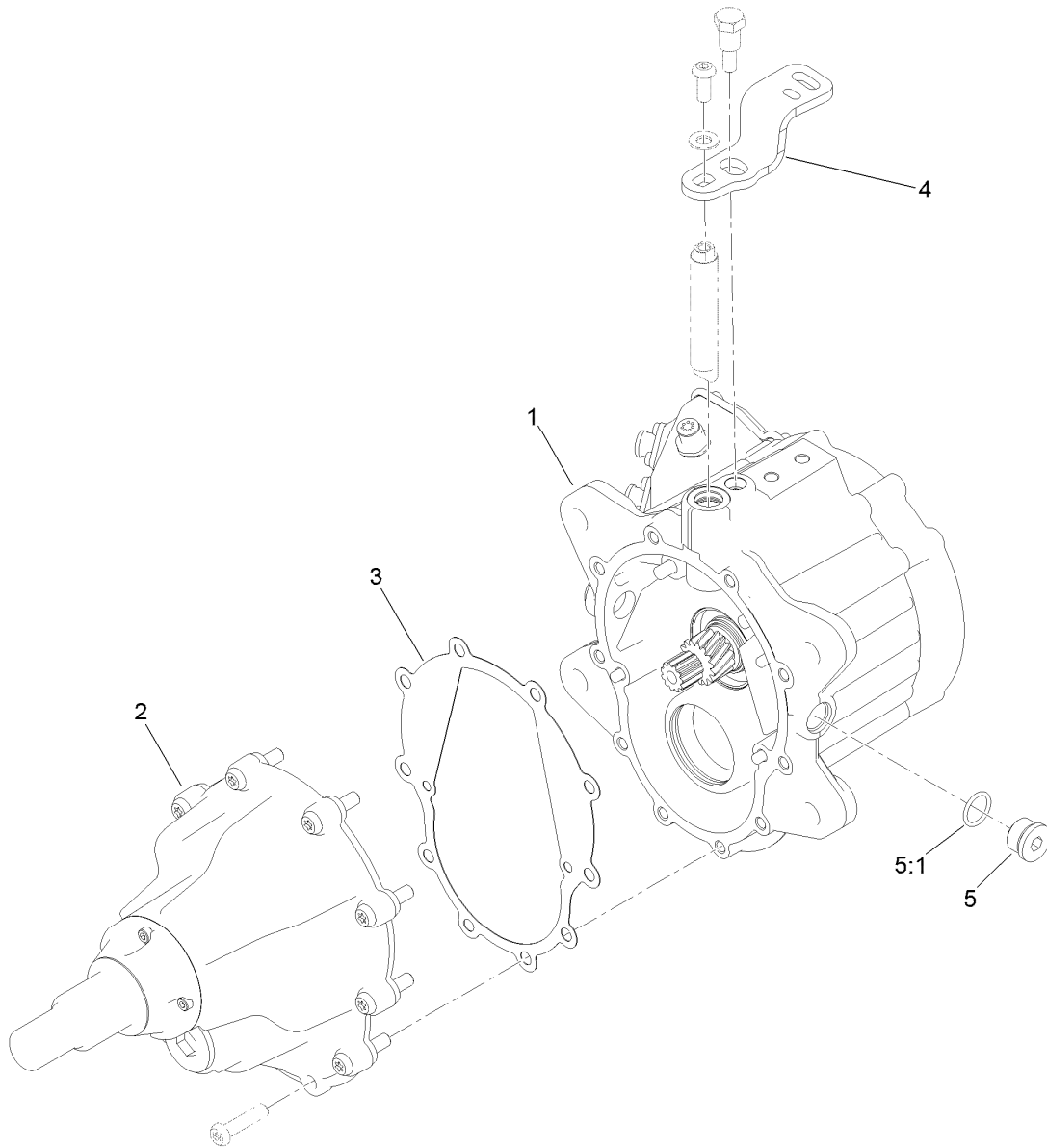
<i>Ref.</i>	<i>Part Number</i>	<i>Qty.</i>	<i>Description</i>
1	139-8566SP	1	RH Motor ASM
2	127-1529	1	Gear Box ASM
3	121-9254	1	Gasket-Gearbox
4	132-9873	1	Lever-Brake, RH
5	353-988	2	Plug-Hex
5:1	237-79	1	O-Ring



Gearbox Assembly No. 127-1529

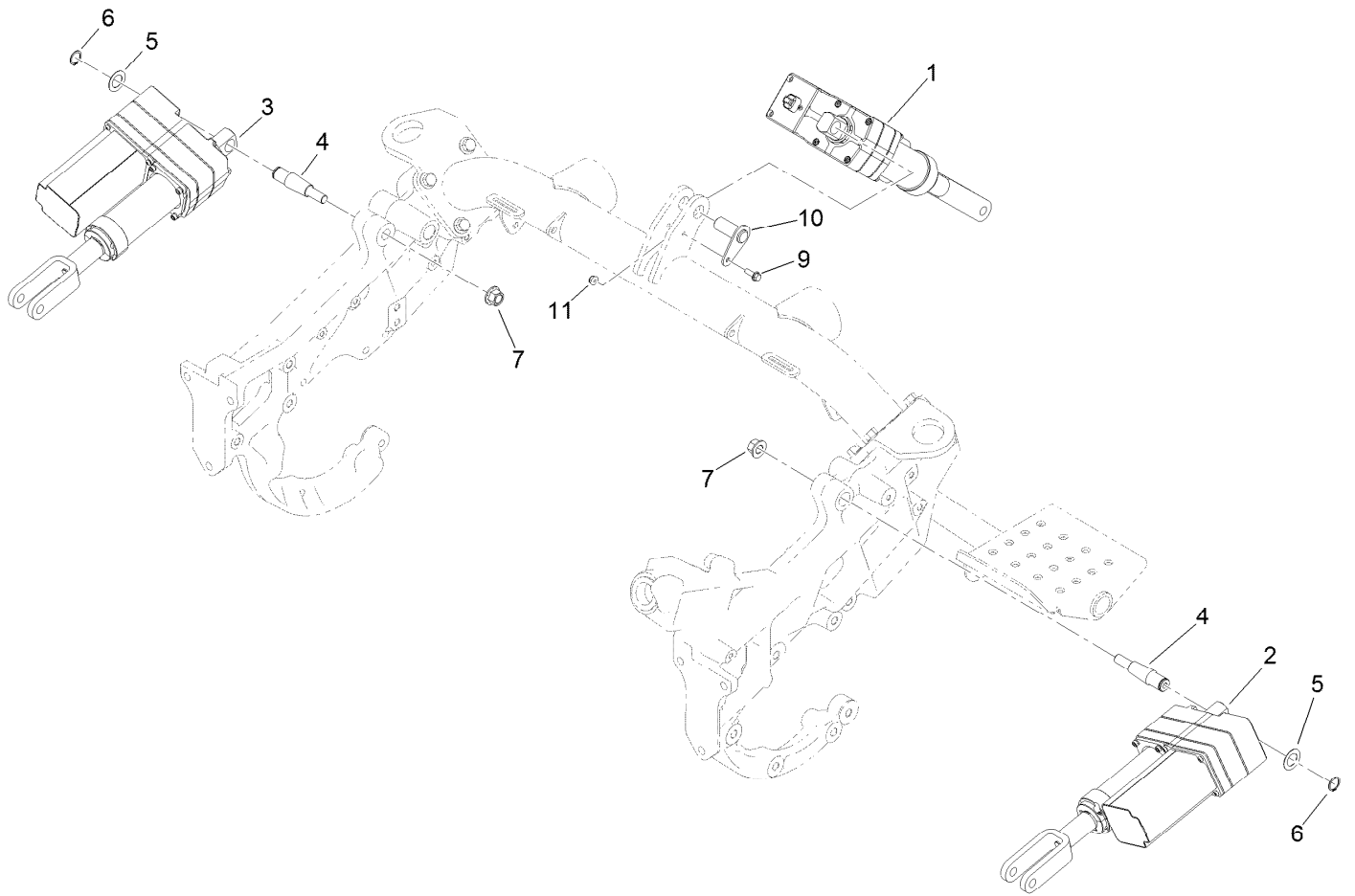
<i>Ref.</i>	<i>Part Number</i>	<i>Qty.</i>	<i>Description</i>
1	127-1559	1	Cover-Motor, Axle
3	121-5235	2	Washer-Special
4	121-9263	2	Nut-Jam
5	127-1561	1	Cover-Nose, Axle
6	137-7857	1	Seal-Shaft
7	112-5181	4	Screw -HSH
8	108-9919	1	O-Ring
9	121-9266	2	Bearing-Ball
10	132-9978	1	Countershaft Gear ASM
12	121-9256	2	Bearing-Taper
13	132-9841	1	Shaft ASM
14	127-1519	10	Screw-BHCS

<i>Ref.</i>	<i>Part Number</i>	<i>Qty.</i>	<i>Description</i>
15	121-9273	1	O-Ring
16	132-9927	1	Washer-Flat
17	3274-96	1	Screw-HSBH
18	105-3921	1	Fitting-Plug
18:1	237-146	1	O-Ring
19	132-9974	1	Brake ASM
20	121-9247	1	Shaft-Brake
22	121-9250	1	Pin-Lever, Stop
23	120-9683	1	Washer-Plain
24	132-9904	1	Key-Woodruff #91
25	137-7767	1	Screw-HH



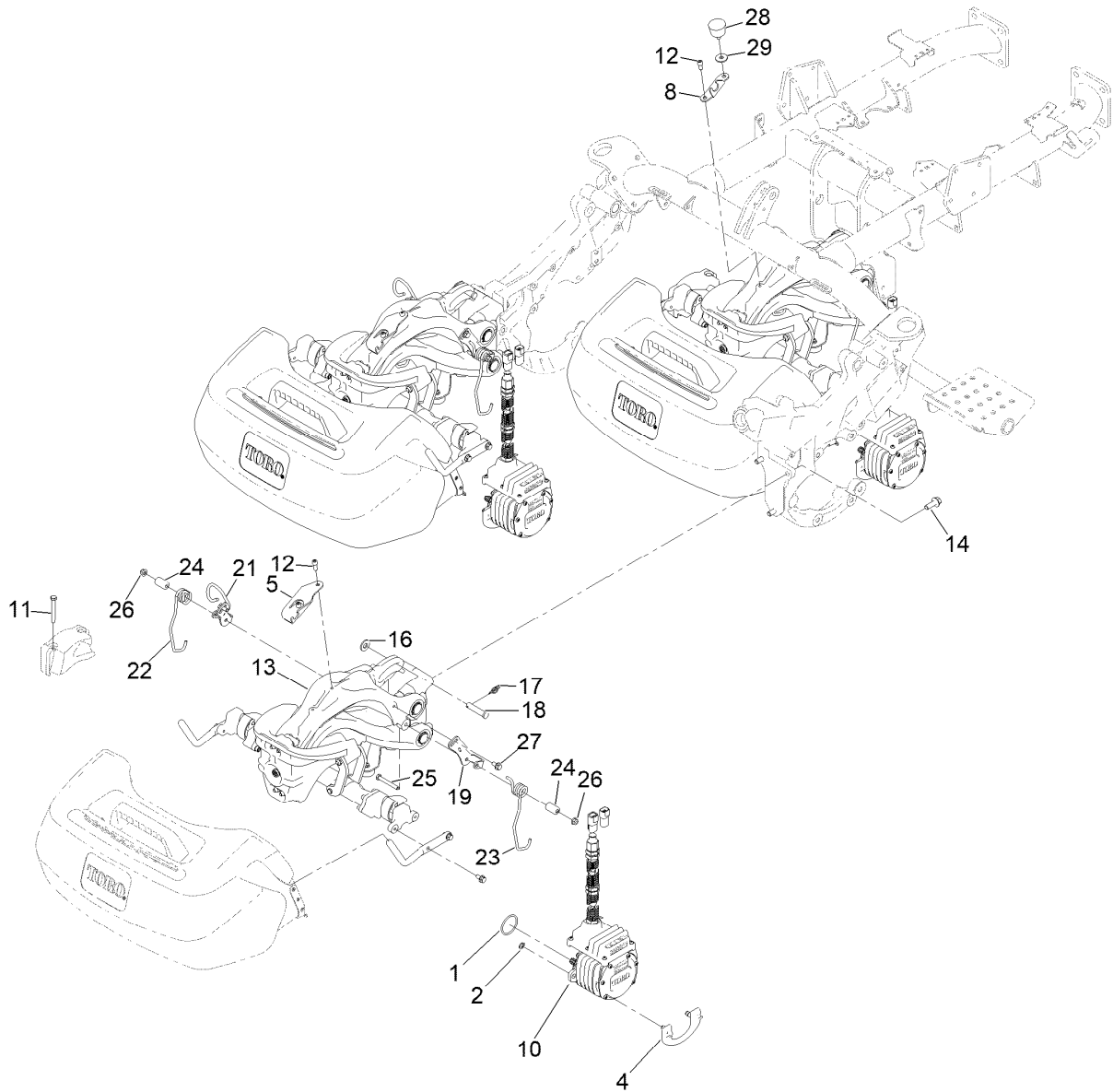
LH Wheel Motor Assembly No. 139-8567

<i>Ref.</i>	<i>Part Number</i>	<i>Qty.</i>	<i>Description</i>
1	139-8568SP	1	LH Motor ASM
2	127-1529	1	Gear Box ASM
3	121-9254	1	Gasket-Gearbox
4	132-9874	1	Lever-Brake, LH
5	353-988	2	Plug-Hex
5:1	237-79	1	O-Ring



Lift Assembly

<i>Ref.</i>	<i>Part Number</i>	<i>Qty.</i>	<i>Description</i>
1	161-4674	1	Actuator-Lift, 1
2	161-4675	1	Actuator-Lift, 2
3	161-4676	1	Actuator-Lift, 3
4	136-2691	2	Pin-Tapered
5	9202574	2	Washer-Flat
6	32120-72	2	Ring-Snap
7	139-1689	2	Nut-HF
9	115-5103	1	Screw-HHF
10	137-7766	1	Pin ASM
11	104-7201	1	Nut-HF, NI

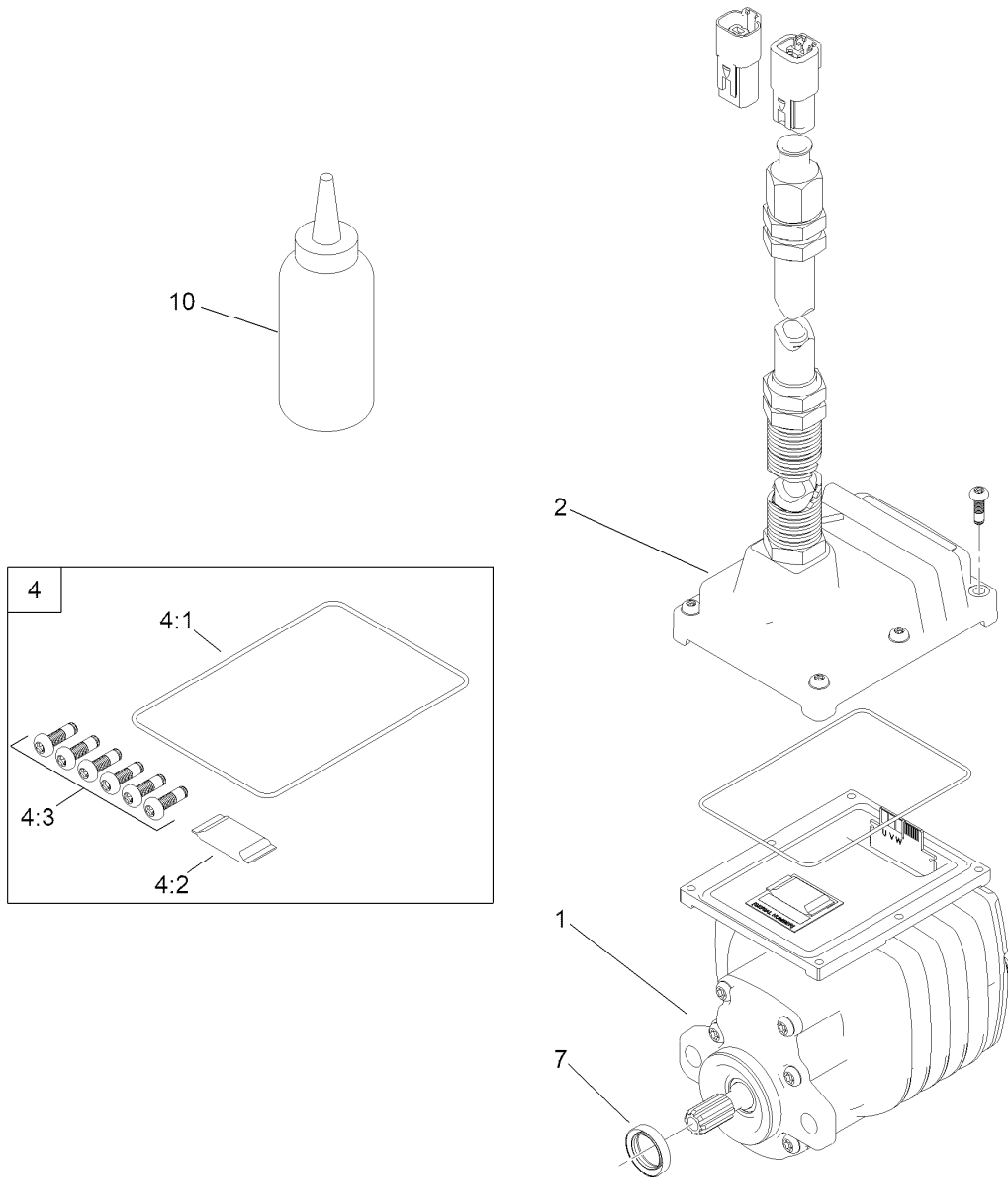


Suspension, Reel Motor and Basket Assembly

Ref.	Part Number	Qty.	Description
1	115-3298	3	O-Ring
2	133-8926	6	Ring-Retaining (Metric)
4	115-5389	3	Cam-Mount, Motor
5	163-8770-03	2	Bracket-Clamp, Hose
8	163-8771-03	1	Bracket-Hose, Rear
10		3	Rem/Inv ASM, 5In Grn ●
11	322-13	6	Screw-HH
12	100-2401	5	Screw-HSH
13		3	Geolink Suspension ASM ●
14	117-9035	9	Screw-HHF
16	29-8910	3	Washer
17	112-1491	3	Pin-Cotter

Ref.	Part Number	Qty.	Description
18	92-2739	3	Pin-Clevis
19	133-8998	3	Retainer-Spring, LH
21	133-9025	3	Bracket ASM
22	117-6826	2	Spring-Stabilizer, RH
23	117-6827	2	Spring-Stabilizer, LH
24	117-6825	6	Spacer
25	322-12	6	Screw-HH
26	119-4041	6	Nut-HF
27	114-7728	6	Screw-HHF, Patch
28	68-3270	1	Bumper-Rubber
29	52-2861	1	Washer

● Not serviced separately

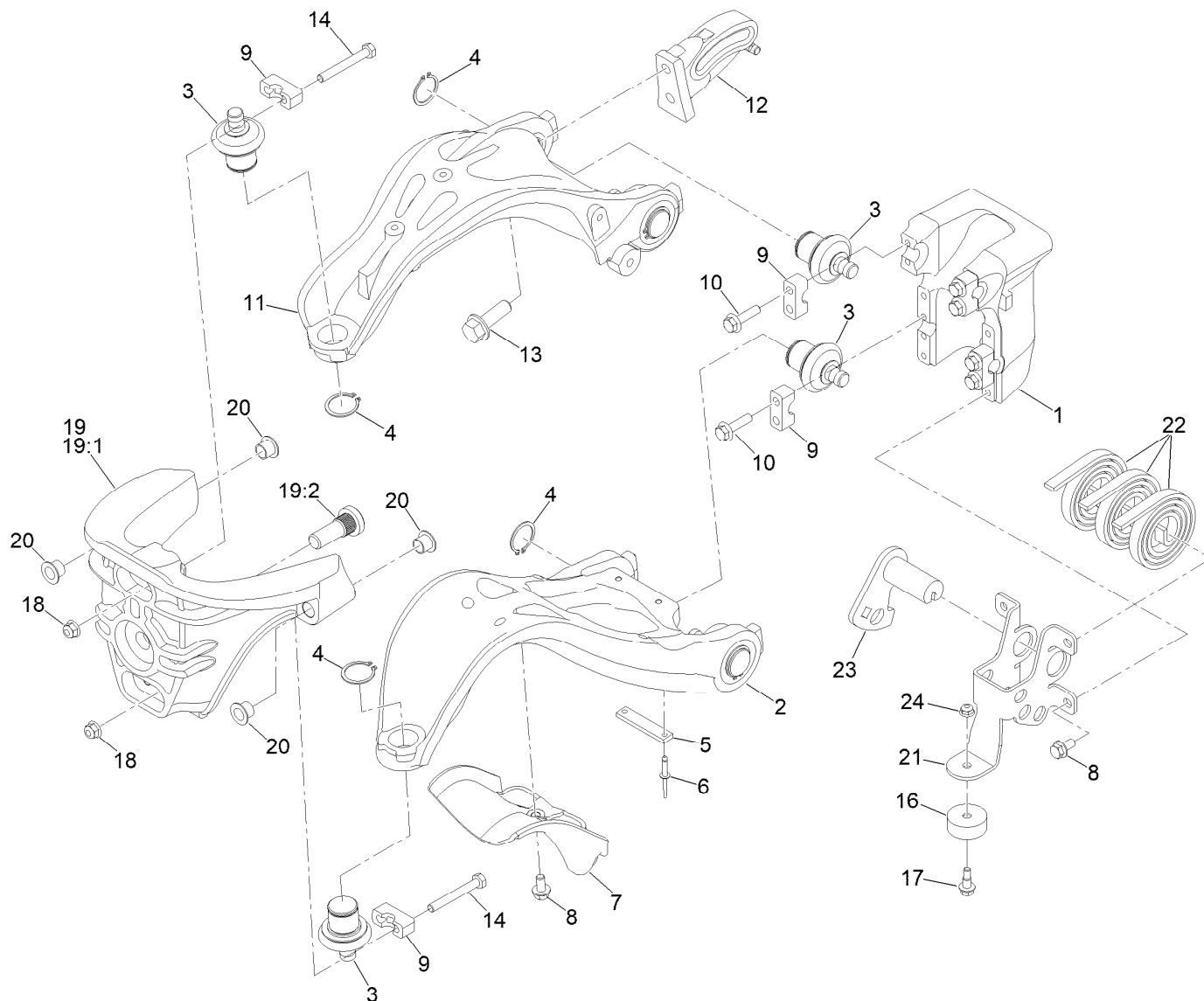


Electric Reel Motor Assembly

Ref.	Part Number	Qty.	Description
1	161-0344	1	Rem-5In Greens
2	161-0345	1	Inverter-5In Greens
4	144-6731	1	Controller And Motor Service Kit
4:1		1	O-Ring-Formed, Controller ■
4:2		1	Desiccant-Silica Gel, 1/2 Gram ■
4:3	144-6692	6	Screw-Tph
4:4		1	Grease-Dielectric ● ■
7	139-8597	1	Seal-Oil ●
10	136-8595	1	Grease-Synthetic
99	161-3623	1	5In Greens Cover/Shaft Kit ●

● Not illustrated

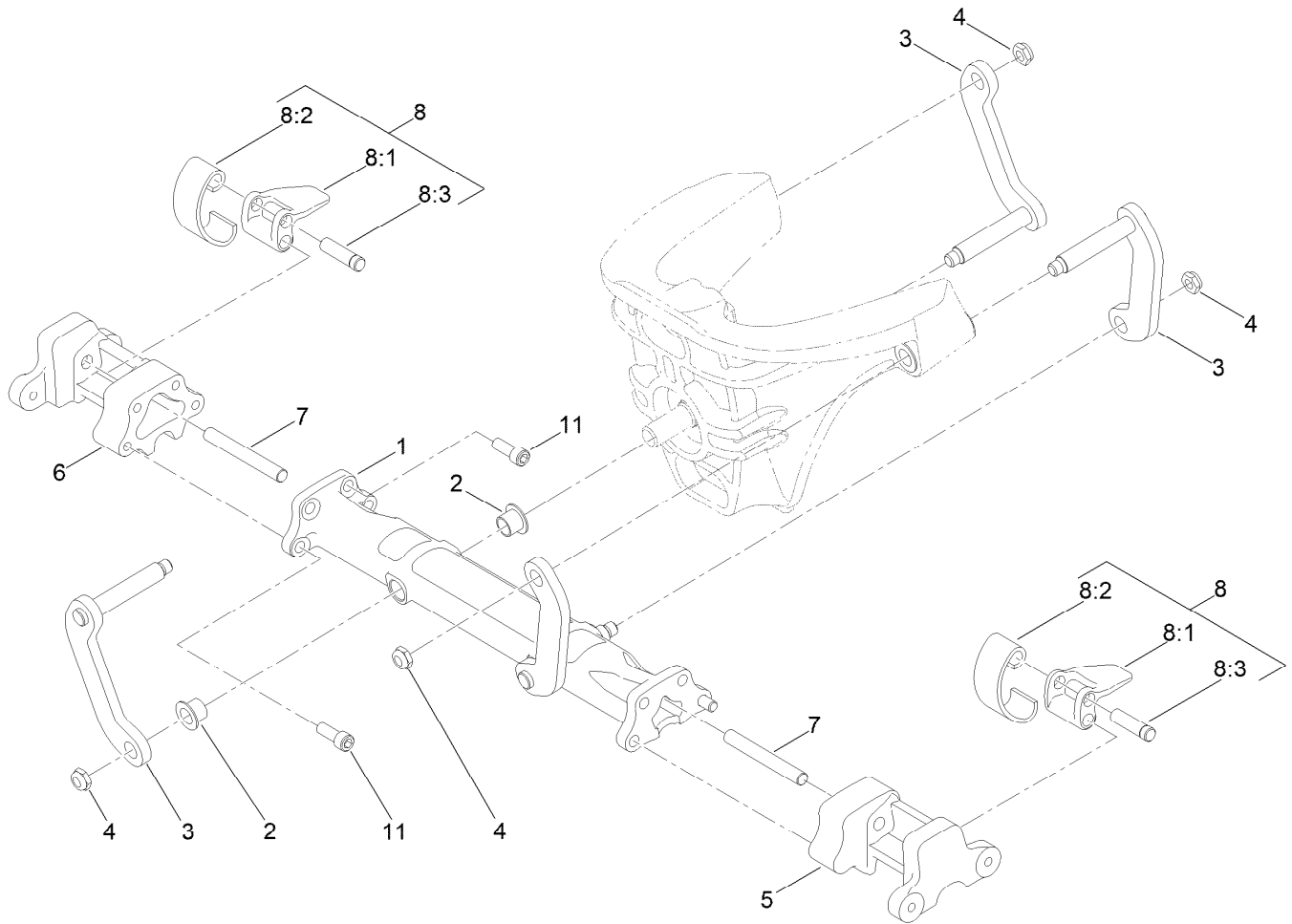
■ Not serviced separately



GeoLink Suspension A-Arm Assembly

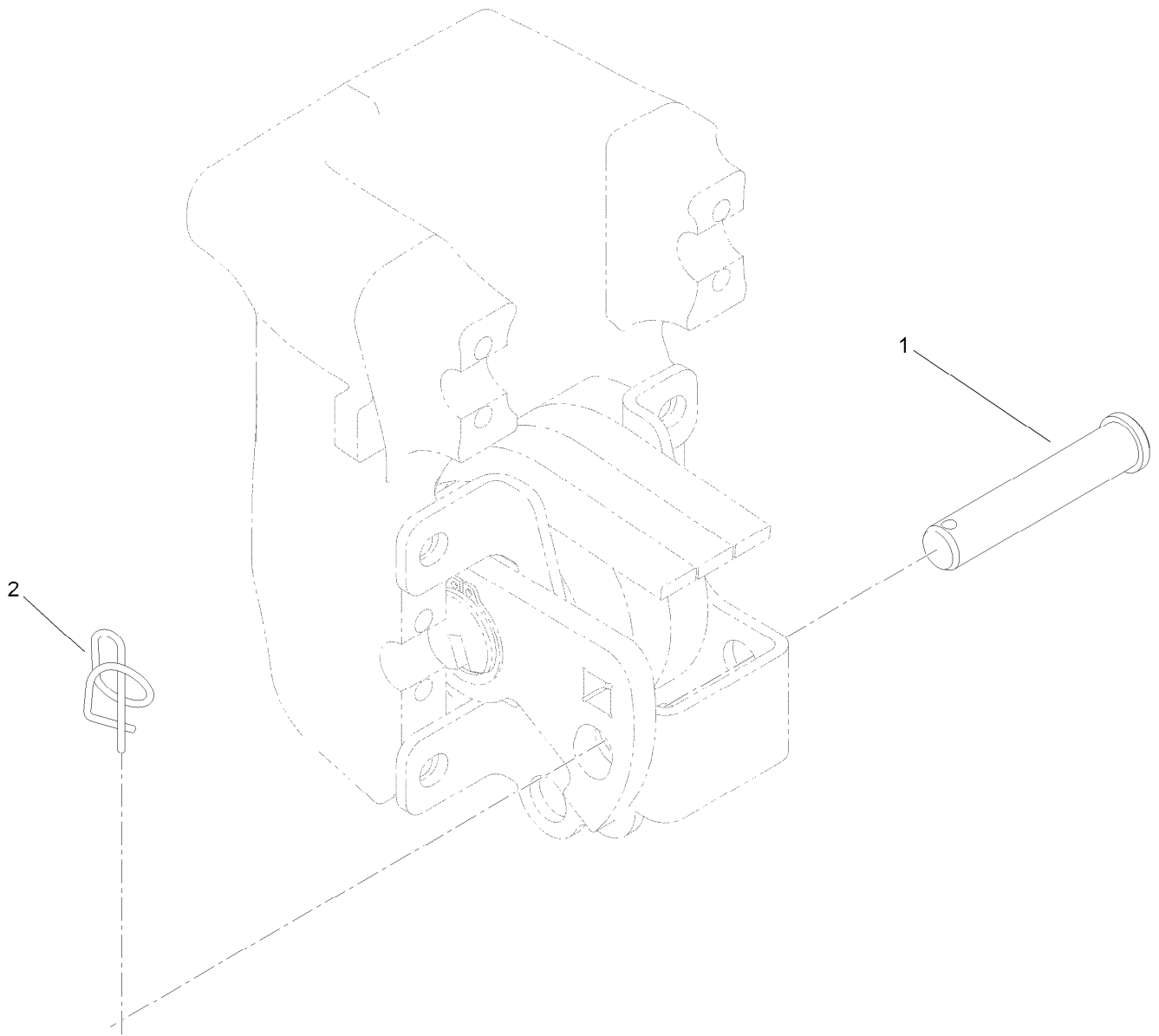
Ref.	Part Number	Qty.	Description
1	117-9480	1	Mount-Pivot, A-Arms
2	117-6656	1	A-Arm, Lower
3	161-4732	6	Balljoint
4	120-3225	6	Ring-Retaining, EXT
5	117-6674	1	Plate-Striker
6	3269-28	2	Rivet-Pop
7	117-6755	1	Stop-Steering
8	114-7728	5	Screw-HHF, Patch
9	112-5647	6	Clamp
10	132-3837	8	Screw-HHF
11	139-6452	1	A-Arm, Upper
12	163-8753	1	Plate-Lift
13	100-6116	2	Screw-HHF

Ref.	Part Number	Qty.	Description
14	132-3838	4	Screw-HH
16	133-0308	1	Bumper-Rubber
17	133-0315	1	Screw-Shoulder, HF
18	161-4706	4	Nut-Flange, Nylock
19	161-4700	1	Steering Head ASM
19:1	117-6621	1	Head-Steering
19:2	133-9008	1	Stud-Press
20	125-5239	4	Bushing-Flange
21	140-5232	1	C-Balance Mount
22	114-9306	3	Spring
23	140-5234	1	Tensioner
24	104-7201	1	Nut-HF, NI



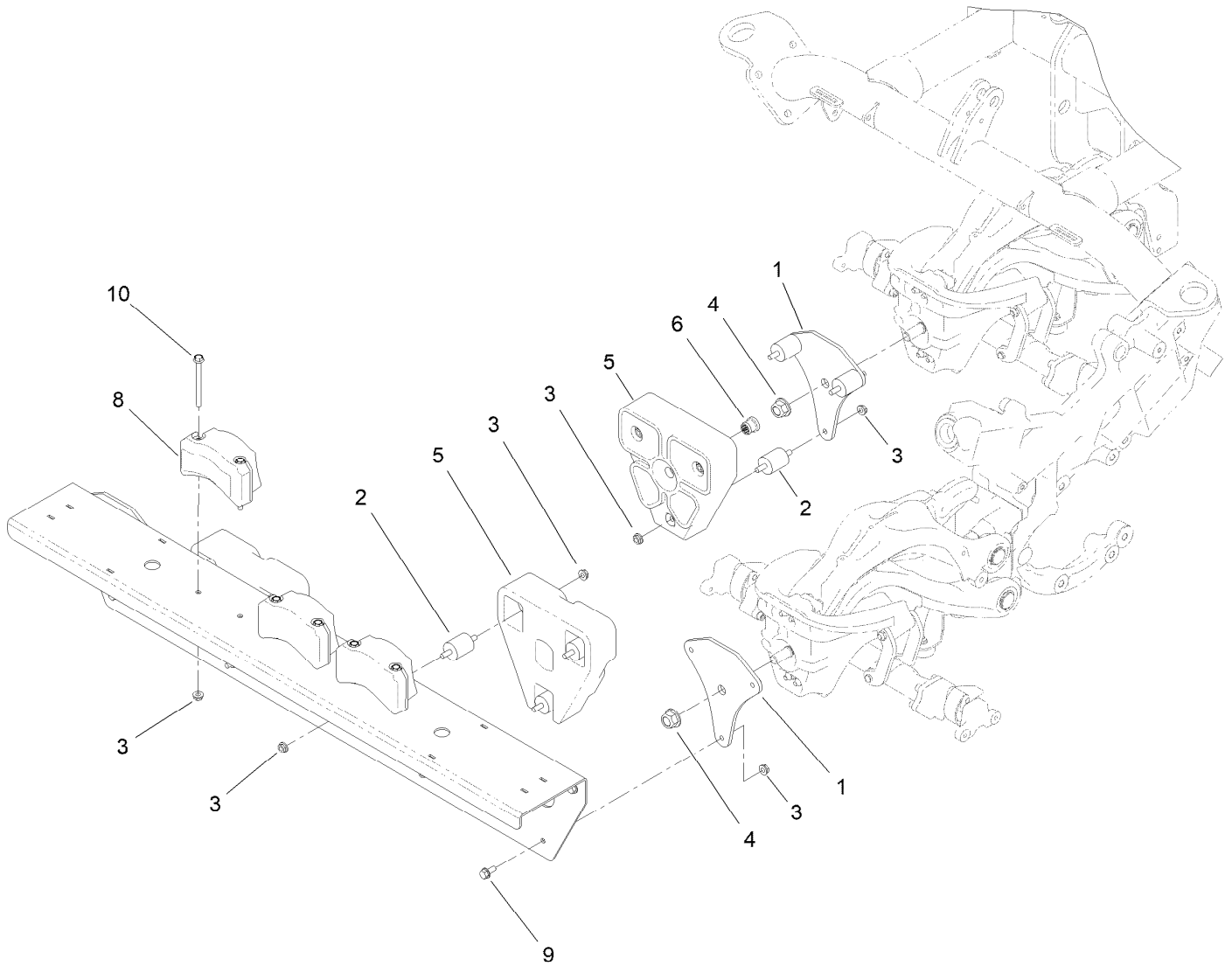
GeoLink Suspension Crossarm Assembly

Ref.	Part Number	Qty.	Description
1	120-3217	1	Crossarm
2	125-5239	4	Bushing-Flange
3	117-6654	4	Link
4	3296-59	4	Nut-Lock, NI
5	117-9482	1	Mount-Cross Arm, LH
6	117-9492	1	Mount-Cross Arm, RH
7	114-8051	2	Pin-Pivot
8	161-4736	2	Clamp-Crossarm
8:1	114-8047	1	Lever
8:2	114-8048	1	Spring
8:3	114-8049	1	Pin-Pivot
11	120-3227	8	Screw-HSH



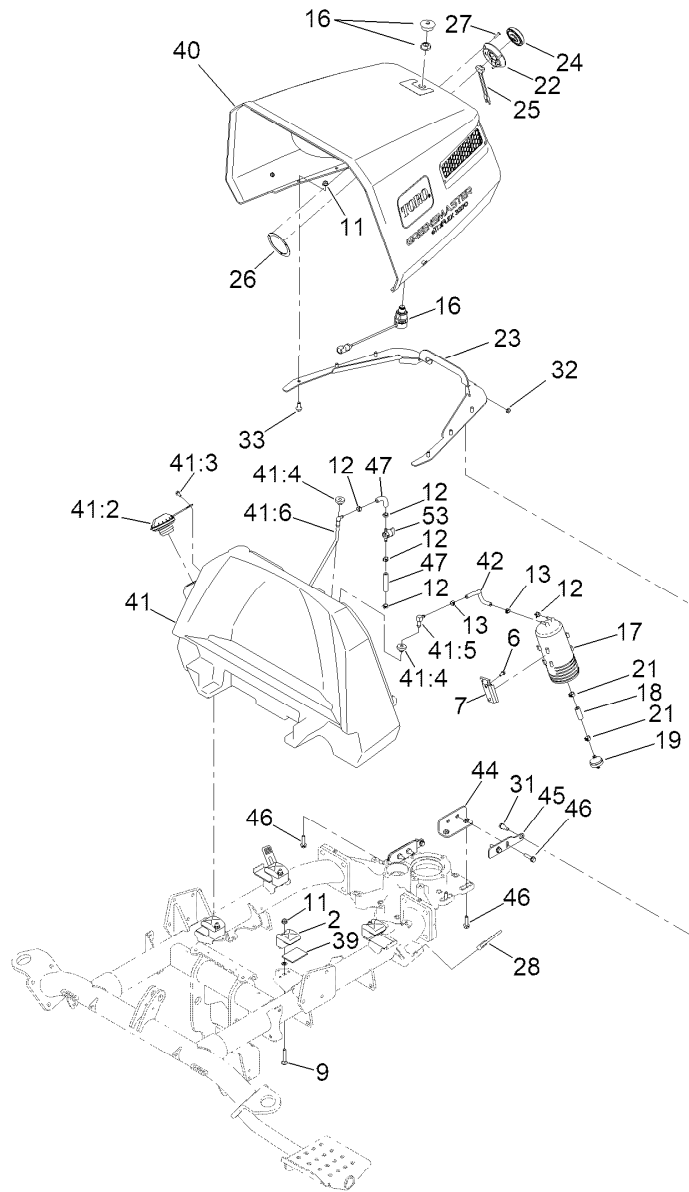
Suspension Pin Position Assembly

<i>Ref.</i>	<i>Part Number</i>	<i>Qty.</i>	<i>Description</i>
1	100-6541	3	Pin-Clevis
2	112-1491	3	Pin-Cotter



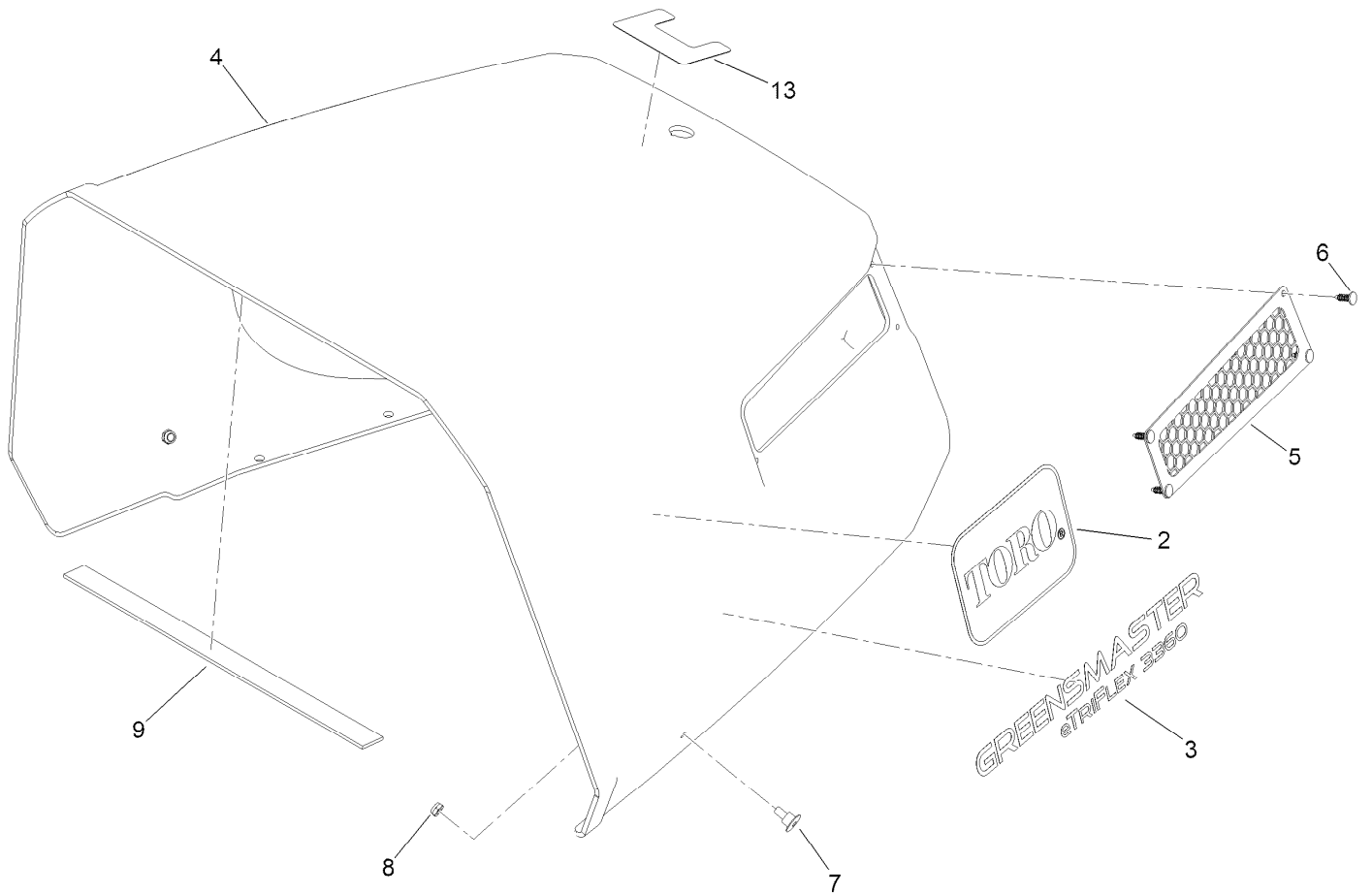
Bumper Assembly

Ref.	Part Number	Qty.	Description
1	133-9009-03	3	Plate-Mount
2	133-8982	9	Mount-Sandwich
3	32128-20	30	Nut-HF
4	133-9681	3	Nut-HF
5	133-9011-03	3	Dampener-Mass, Tuned
6	131-1836	3	Grommet
8	117-6774-03	3	Weight-Electric
9	3234-5	6	Screw-HHF
10	147-5202	6	Screw-HH



Fuel Tank and Hood Assembly

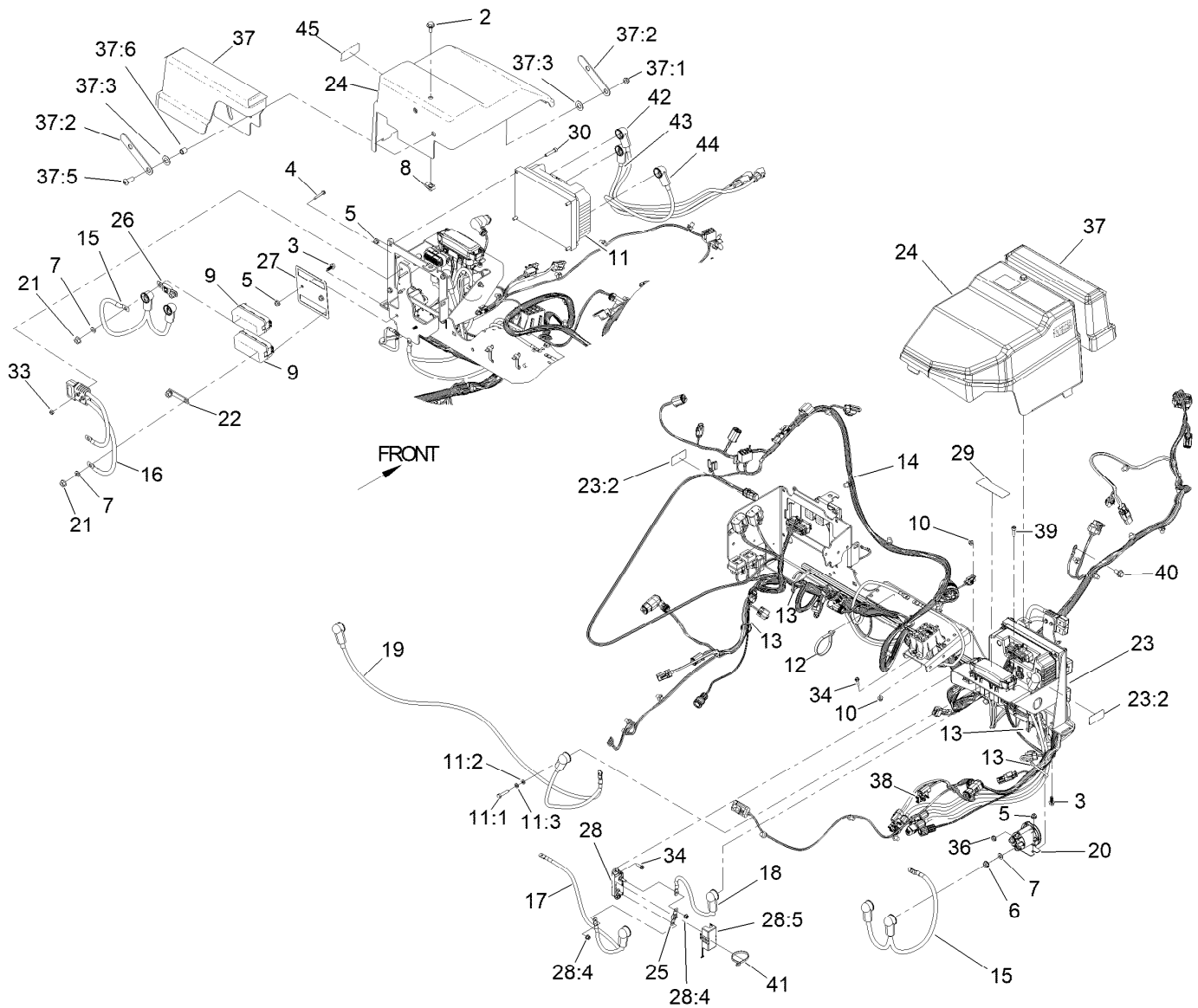
Ref.	Part Number	Qty.	Description	Ref.	Part Number	Qty.	Description
2	107-4543	4	Clamp	28	131-8402	2	Strap-Down, Hold
6	32144-4	2	Screw-HWH	31	115-1958	2	Bolt-Shoulder
7	114-0292	1	Bracket-Canister, Carbon	32	99-6007	2	Nut-Lock, NI
9	3230-6	4	Bolt-CARR	33	3234-47	6	Screw-HHF
11	119-4041	10	Nut-HF	39	136-4259	4	Foam-Strip, Tank
12	2412-98	5	Clamp-Hose	40	145-6692	1	Geolink Hood ASM
13	2412-146	2	Clamp-Hose	41	137-8108	1	Fuel Tank ASM
16	145-0336	1	Switch, E-Stop	41:2	117-1722	1	Cap-Fuel
17	117-1221	1	Canister-Carbon, 800Cc	41:3	32144-4	1	Screw-HWH
18	106-5317	1	Hose-Fuel	41:4	46-6560	2	Bushing
19	115-7854	1	Filter-Fuel, Inline	41:5	116-2288	1	Fitting-Elbow, 90 DEG
21	92-2379	2	Clamp-Hose	41:6	132-9905	1	Pipe-Stand
22	122-3901	1	Mount, Light, Marker	42	51-3210	1	Hose-Fuel
23	161-4727-03	1	Brkt-Shroud Hinge	44	137-2242-03	2	Bracket-Hood
24	122-3902	1	Light, Marker, Amber, 24V	45	137-7914	2	Bracket-Hood
25	122-3903	1	Wire, Pigtail, Light	46	119-4036	8	Screw-HHF
26	145-6688	1	Plate-Back, Light	47	109-0304	2	Hose-Fuel
27	130-8451	3	Rivet-Trifold	53	1-603770	1	Valve-Fuel



Hood Assembly No. 145-6692

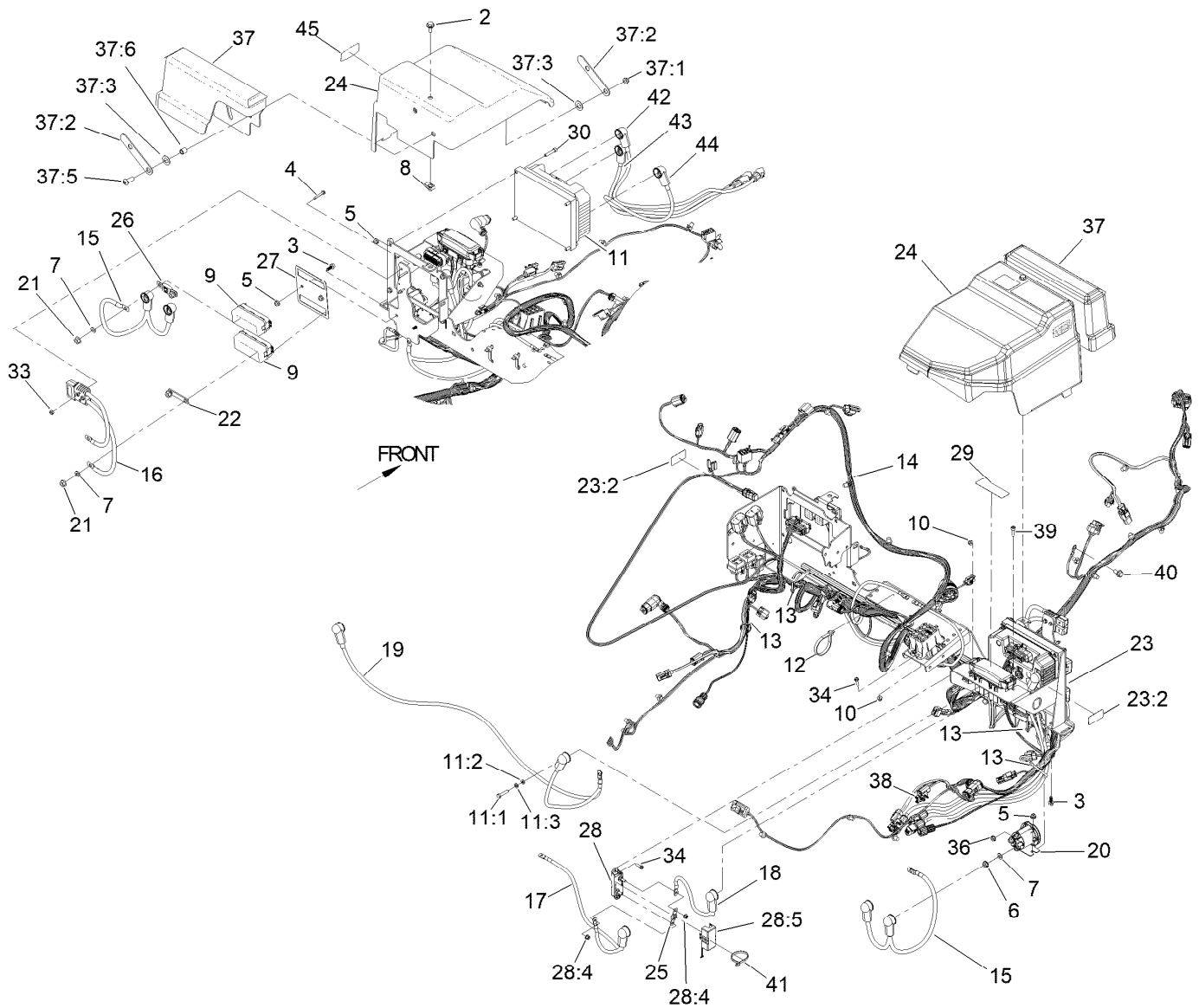
Ref.	Part Number	Qty.	Description
2	62-5550	2	Decal
3	137-7827	2	Decal
4		1	Hood ASM, Geolink ●
5	137-7911-03	2	Screen
6	120-6737	8	Plug-Plastic
7	125-1122	2	Screw
8	3296-56	2	Nut-Lock, NI
9	137-8082	1	Strip-Foam
13	145-6537	1	Decal-Hood

● Not serviced separately



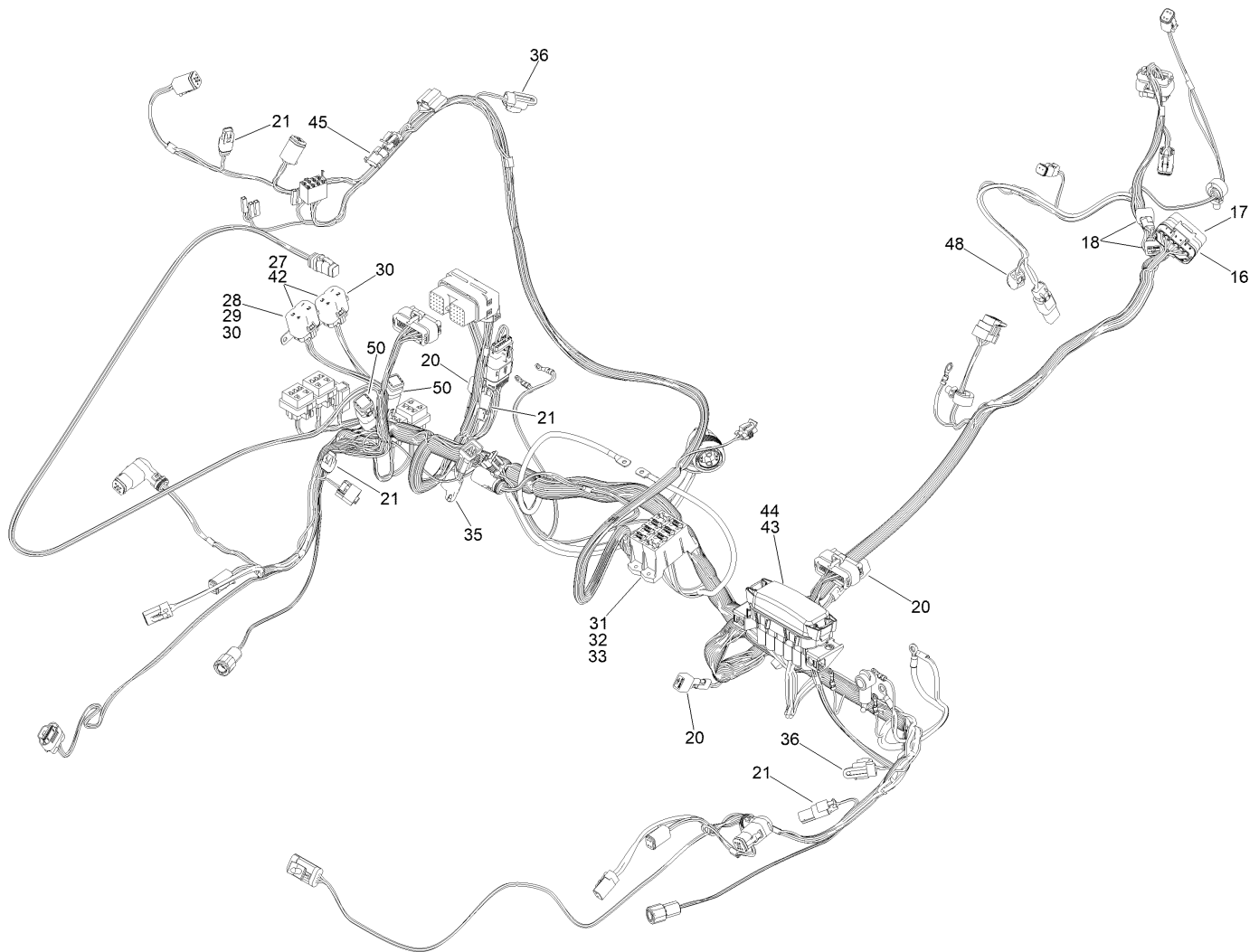
Electrical Assembly

Ref.	Part Number	Qty.	Description	Ref.	Part Number	Qty.	Description
2	19-1470	1	Screw-Shoulder	19	122-1115	1	Cable-Battery, Negative
3	99-6810	6	Screw-HHF	20	122-1274	2	Contactora-DC, 48V
4	100-4352	2	Screw-HWH	21	127-2371	4	Nut-HF
5	104-7201	10	Nut-HF, NI	22	132-9815	1	Strap-Jumper
6	107-0380	4	Nut-HF	23	145-1436	1	Bracket ASM
7	107-0394	8	Washer-Flat	23:2	137-8127	2	Decal-No Spray
8	112-3306	1	Nut	24	147-3084	1	Cover-LH
9	114-3318	2	Holder-Fuse, Mega	25	122-3646	1	Fuse-80A
10	120-4578	6	Nut-HF	26	137-7722	1	Fuse-150 Amp
11	120-4780	1	Controller-Motor, Traction	27	145-1439	1	Bracket-Fuses
11:1	33113-030	5	Screw-HH	28	137-7861	1	Fuse Block ASM
11:2	33093-00	5	Washer-Flat	28:4	120-4580	2	Nut-HF
11:3	43-5930	5	Washer-Lock, Spring	28:5	137-7863	1	Cover-Fuse
12	3334-945	3	Tie-Cable	29	137-8037	1	Decal-Fuses, Cutting Unit
13	3290-379	4	Tie-Cable	30	3274-51	4	Screw-HSH
14	122-2701	1	Harness-Wire, Caravella, Hybrid Main	33	3296-2	2	Nut-Lock, NI
15	122-1695	1	Cable-Battery, Positive	34	32105-13	6	Screw-HWH
16	122-1698	1	Cable-Battery, Pos And Neg	36	32149-8	4	Nut-Keys
17	122-1108	1	Cable-Battery, Positive	37	145-4587	1	Charge Port Cover Kit
18	122-1112	1	Cable-Battery, Positive	37:1	121-4600	2	Nut-Hex
				37:2	145-4563	2	Bar-Pivot



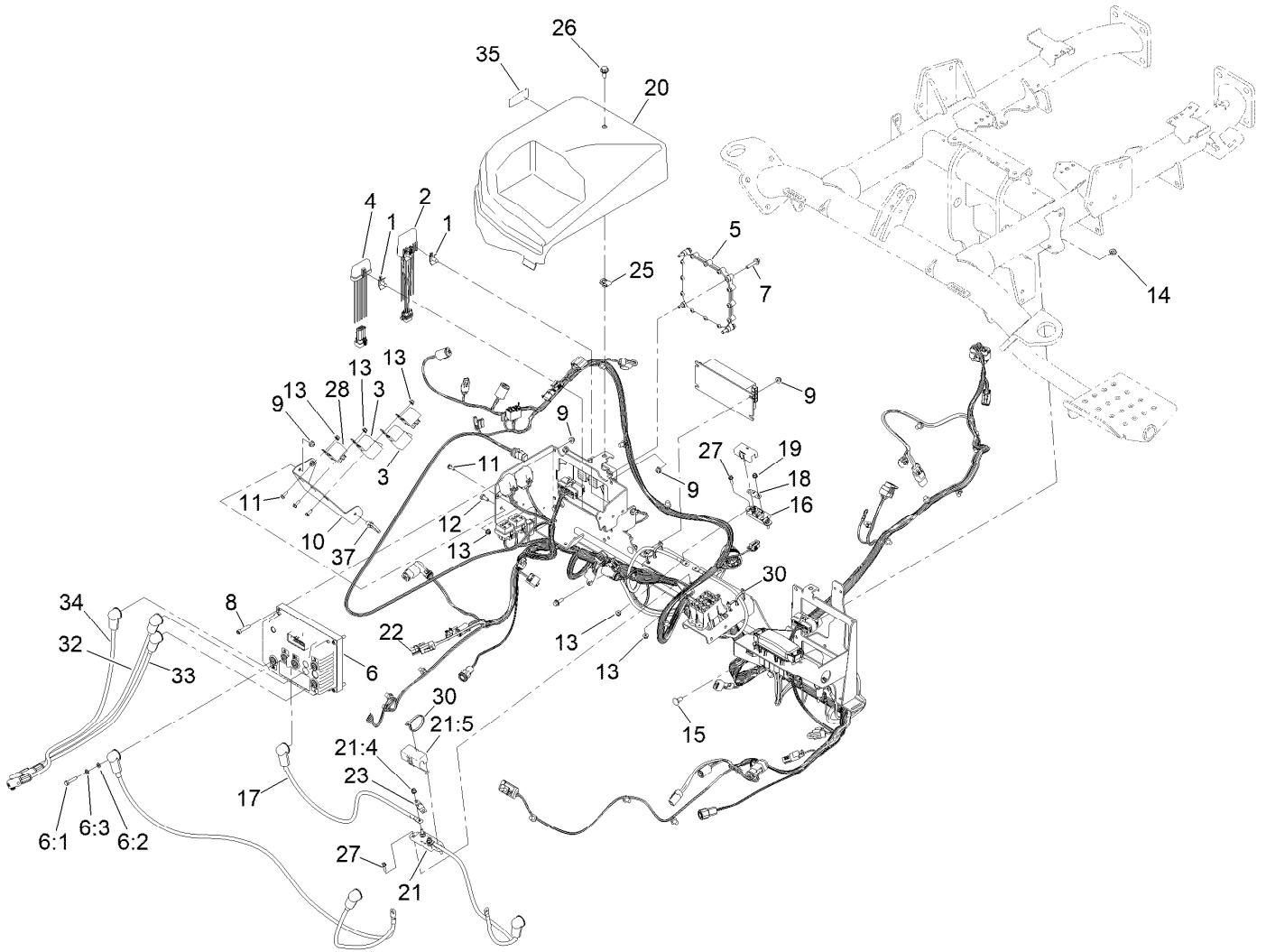
Electrical Assembly (continued)

<i>Ref.</i>	<i>Part Number</i>	<i>Qty.</i>	<i>Description</i>	<i>Ref.</i>	<i>Part Number</i>	<i>Qty.</i>	<i>Description</i>
37:3	110-4068	4	Washer-Plastic	41	3290-378	1	Tie-Cable
37:5	3274-94	2	Screw-HSBH	42	122-1611	1	Cable-Battery, Positive
37:6	103-1166	2	Spacer-Tube, Pump Link	43	122-1612	1	Cable-Battery, Positive
38	32180-103	2	Clip-Connector	44	122-1613	1	Cable-Battery, Positive
39	52-6290	2	Screw-HSH	45	119-7580	1	Decal-Smart, Energy
40	33104-016	1	Screw-HHF				



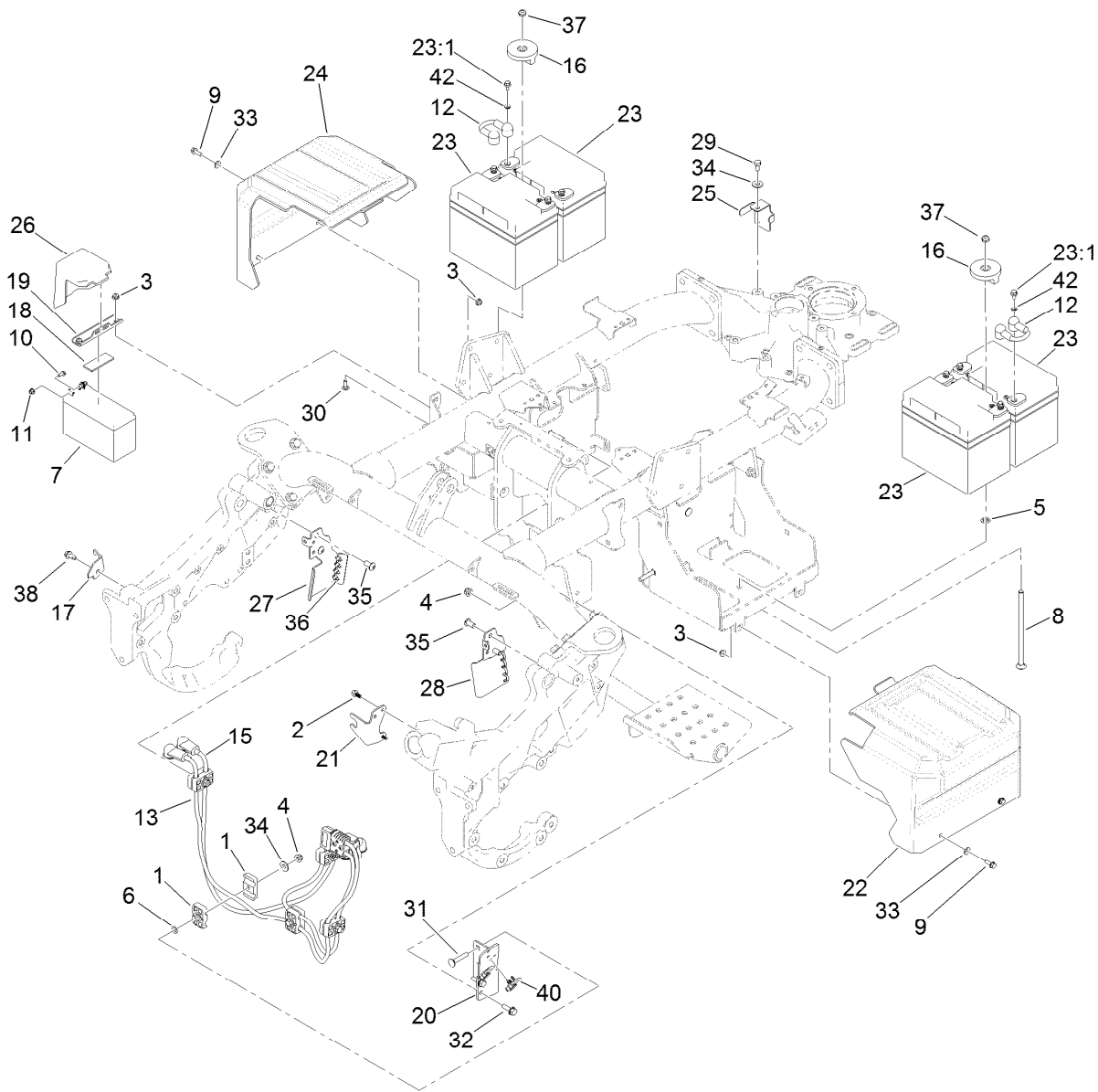
Wire Harness Assembly No. 122-2701

<i>Ref.</i>	<i>Part Number</i>	<i>Qty.</i>	<i>Description</i>	<i>Ref.</i>	<i>Part Number</i>	<i>Qty.</i>	<i>Description</i>
16	32180-176	1	Cover-Block, Fuse	32	117-4724	4	Fuse-Blade, 10A
17	126-6157	2	Relay-Micro 280, Spdt	33	117-4728	1	Fuse-Blade, 30A
18	103-3895	2	Diode	35	32180-156	1	Cap-Plug, 6 Way
20	100-4918	3	Diode	36	32180-089	2	Cap-Plug, 3 Way
21	32180-282	3	Conn, Res, 120 Ohm	42	32180-179	2	Cover-Bussman
27	121-8861	2	Fuse-Mini Blade, 2 Amp	43	32180-146	1	Cover-Fuse
28	121-8865	1	Fuse-Mini Blade, 7.5 Amp	44	122-0255	3	Fuse-Maxi, 35 Amp-58V
29	121-8866	1	Fuse-Mini Blade, 10 Amp	45	32180-056	1	Cap
30	121-8867	2	Fuse-Mini Blade, 15 Amp	48	32180-260	1	Cap-Deutsch, Dust, 4 Way
31	117-4722	1	Fuse-Blade, 5A	50	122-1131	2	Conn, Capacitor-Sealed



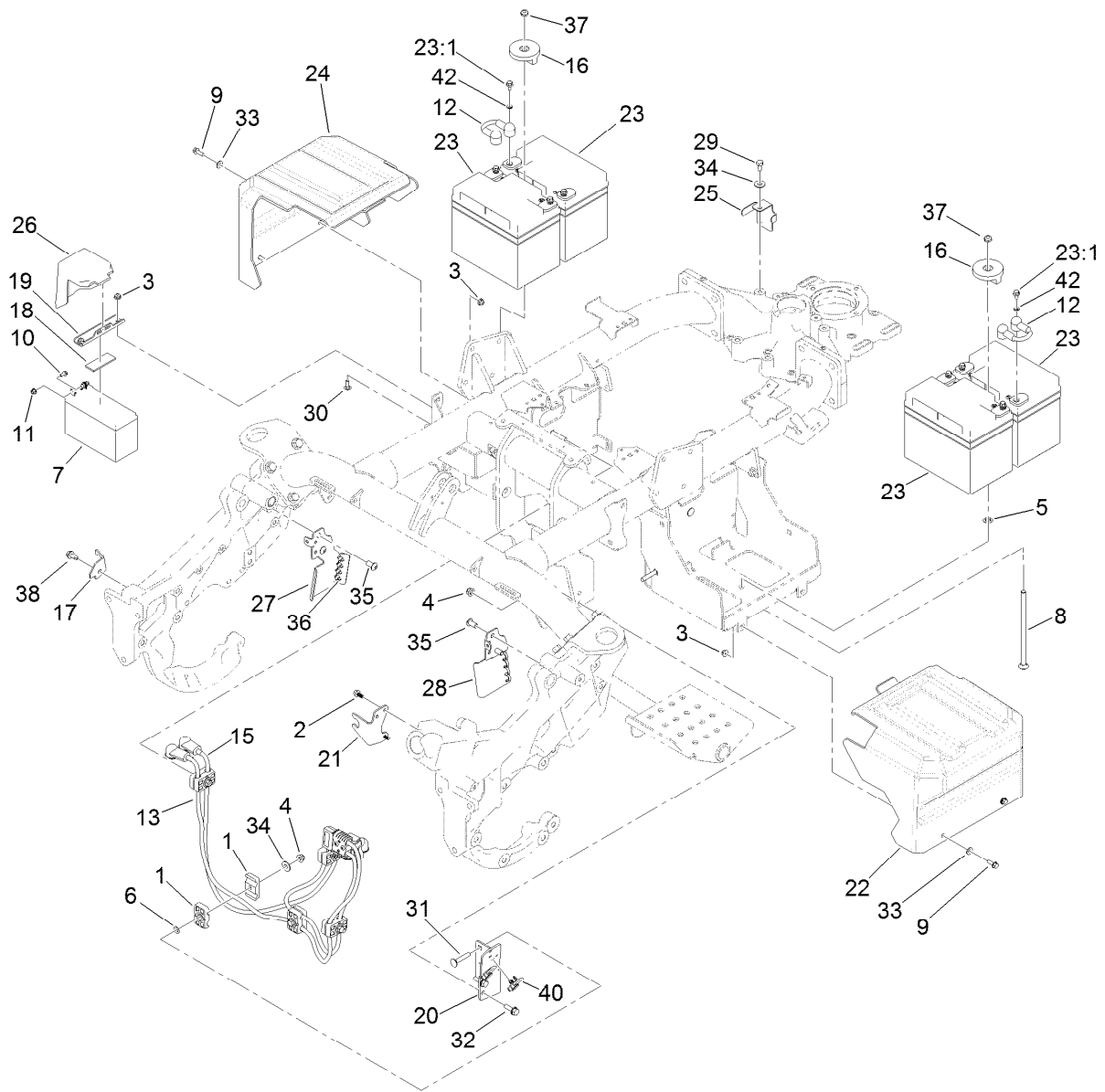
Controller Assembly

Ref.	Part Number	Qty.	Description	Ref.	Part Number	Qty.	Description
1	32180-011	3	Clip-Connector	17	122-1110	1	Cable-Battery, Positive
2	119-4330	1	Isolated Can Module ASM	18	137-7708	1	Fuse-100 Amp
3	99-7430	4	Relay-Mini	19	120-4580	2	Nut-HF
4	112-9630	1	Module-Reel, I.D.	20	133-0095	1	Cover-RH
5	127-2770	1	Controller	21	137-7861	1	Fuse Block ASM
6	120-4780	1	Controller-Motor, Traction	21:4	120-4580	2	Nut-HF
6:1	33113-030	5	Screw-HH	21:5	137-7863	1	Cover-Fuse
6:2	33093-00	5	Washer-Flat	22	32180-103	2	Clip-Connector
6:3	43-5930	5	Washer-Lock, Spring	23	122-3646	1	Fuse-80A
7	127-8639	4	Screw-HHF	25	112-3306	1	Nut
8	3274-51	4	Screw-HSH	26	19-1470	1	Screw-Shoulder
9	104-7201	10	Nut-HF, NI	27	32105-13	4	Screw-HWH
10	147-3088-0P	1	Bracket-Component	28	122-3199	1	Relay - Dg57CM
11	32105-23	8	Screw	30	3290-378	5	Tie-Cable
12	321-3	2	Screw-HH	32	122-1614	1	Cable-Battery, Positive ASM
13	120-4578	12	Nut-HF	33	122-1615	1	Cable-Battery, Positive ASM
14	119-4041	4	Nut-HF	34	122-1616	1	Cable-Battery, Positive ASM
15	3230-1	4	Bolt-CARR	35	119-7580	1	Decal-Smart, Energy
16	132-9796	1	Fuse-Holder, Midi Fuse	37	32180-030	1	Clip-Tie



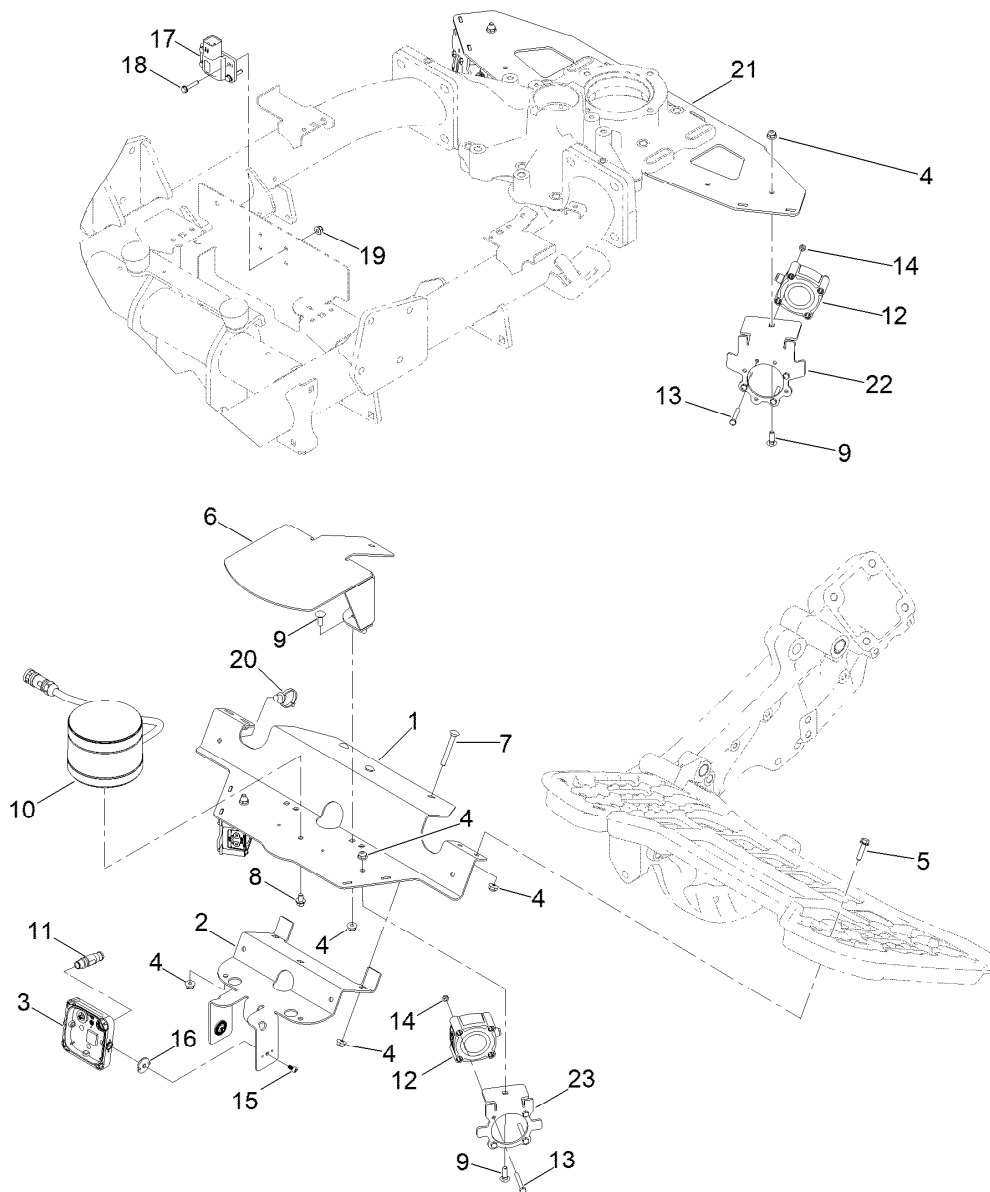
Battery Assembly

Ref.	Part Number	Qty.	Description	Ref.	Part Number	Qty.	Description
1	56-7976	10	Clamp-Tube	21	136-2697	1	Bracket-Hose
2	99-6810	2	Screw-HHF	22	137-7711	1	Cover-Battery
3	104-7201	6	Nut-HF, NI	23	137-7734	4	Battery-Wet, 12V 33Ah, Sealed
4	119-4041	7	Nut-HF	23:1	33113-012	2	Screw-HH
5	107-3154	2	Nut-Push	24	137-7849	1	Cover-Battery, RH
6	109-5667	5	Nut-Push	25	137-7859	1	Bracket-Harness
7	112-9621	1	Battery-Wet, 12V 9Ah, Sealed W/Hrdwr	26	137-7867	1	Cover-Battery
8	117-1399	2	Bolt-Carriage	27	137-7905-01	1	Bracket-Harness, RH
9	32105-15	4	Screw-HWH	28	137-7906-01	1	Bracket-Harness, LH
10	120-4579	2	Screw-HHF	29	3210-2	1	Screw-HH
11	120-4580	2	Nut-HF	30	3229-1	2	Screw-CARR
12	122-1105	2	Positive Battery Cable ASM	31	3230-5	5	Bolt-CARR
13	122-1113	1	Positive And Negative Battery Cable ASM	32	3234-29	2	Screw-HHF
15	122-1381	1	Positive Battery Cable ASM	33	3256-1	4	Washer-Flat
16	127-2393	2	Hold Down-Battery	34	3256-3	6	Washer-Flat
17	139-8409	1	Brkt-Hose	35	3274-80	4	Screw-HH
18	133-0081	1	Strip-Foam	36	3290-378	8	Tie-Cable
19	133-0082	1	Channel-Clamp, Battery	37	3296-59	2	Nut-Lock, NI
20	133-0083-03	1	Bracket-Hose, Rear	38	32104-32	1	Screw-HWH



Battery Assembly (continued)

Ref.	Part Number	Qty.	Description
40	32180-103	2	Clip-Connector
42	43-5930	8	Washer-Lock, Spring



Sonar and Radar Assembly

<i>Ref.</i>	<i>Part Number</i>	<i>Qty.</i>	<i>Description</i>	<i>Ref.</i>	<i>Part Number</i>	<i>Qty.</i>	<i>Description</i>
1	145-0324-03	1	Plate-Sonar, Front	13	135-4328	16	Bolt-M5X0.8Mm X 40 MM Long
2	145-6634-03	1	Support-Front, Lower	14	87-5140	16	Nut-Lock
3	145-6405	1	Radar	15	121-4155	2	Screw-PPH
4	104-7201	15	Nut-HF, NI	16	145-0342	2	Spacer-Radar, Anti-Rotate
5	120-4654	4	Screw-HHF	17	145-6507	1	Sensor-Imu
6	147-6180-03	1	Bracket-Upper	18	117-1701	4	Screw-HWHTF
7	3230-33	3	Screw-CARR	19	120-4578	4	Nut-HF
8	3234-26	1	Screw-HHF	20	32180-030	1	Clip-Tie
9	3229-1	8	Screw-CARR	21	145-0322-03	1	Plate-Sonar, Rear
10	145-0204	1	Lidar	22	145-0323-03	2	Sonar-Bracket, Rear
11	122-3451	1	Cable Assy, Acs Nova 2.1, Radar Plug	23	145-0325-03	2	Sonar-Bracket, Front
12	145-6687	4	Sonar				

Attachments and Accessories

For 04580AA — Greensmaster eTriFlex 3360 Traction Unit

Product Name	Model/Part
Turf Evaluator	04399
Light Kit.....	04500
3WD Kit, Electric Triflex	04503
8-Blade TRIFLEX FWY Cutting Unit	04657
Anti-Bobbing Kit.....	04716
Premium Seat.....	04729
Paint-Black Bottle	112-0176
Paint-Red Bottle	112-0178
Wireless Hourmeter.....	115-4754
Oil Filter	119-5852
Premium Armrest Kit.....	119-7105
Weight Kit	119-7129
Air Filter Element	120-7447
Filter-Air, Paper.....	120-7448
Armrest Kit.....	121-3660
Fuel Filter.....	121-4570
Hi-Back Seat Cover	133-1308
Rear Light Kit.....	137-7945
Front Light Mount Kit, TriFlex/eTriFlex	137-7947
Spark Arrestor, 1.25 I.D.	137-8098
Bag Kit.....	137-8130
Kit-Fuses	139-8482
Wheel-Assembly.....	144-3664
Tire - 20 X 10.00-8, 4ply.....	144-3665
Toro Red 12oz Aerosol Can.....	361-10
Semi-Gloss Black Spray Paint.....	361-9
400 Hour MVP Kit.....	44971
Spark Plug	92-2153
Height-of-Cut Bar.....	94-9010

Notes:



Count on it.