



Count on it.

Parts Catalog

**30in TurfMaster® HDX
Walk-Behind
Lawn Mower**

Model No. 22215—Serial No. 418878171 and Up



Ordering Replacement Parts

To order replacement parts, please supply the part number, the quantity, and the description of each part desired.

Understanding Reference Numbers

Each identified part in an illustration has a reference number. The reference number for a part also appears in the parts list, along with other information about the part.

This catalog uses two special reference number formats, one to indicate parts in a service assembly and another to indicate the quantity of a given part in an illustration.

Service Assembly Reference Numbers

Parts in service assemblies have reference numbers in the form a:b. The a represents the reference number of the entire service assembly and the b represents a sequential number unique to each part within the service assembly.

For example, a wheel assembly might be identified by reference number 6, the tire by 6:1, the valve by 6:2, and the wheel by 6:3. When you order the assembly identified by reference number 6, you receive all parts identified by reference numbers 6:1, 6:2, and 6:3. However, you may also order any part individually. Reference numbers of this type appear in illustration and in parts lists.

Reference Numbers Indicating Quantity

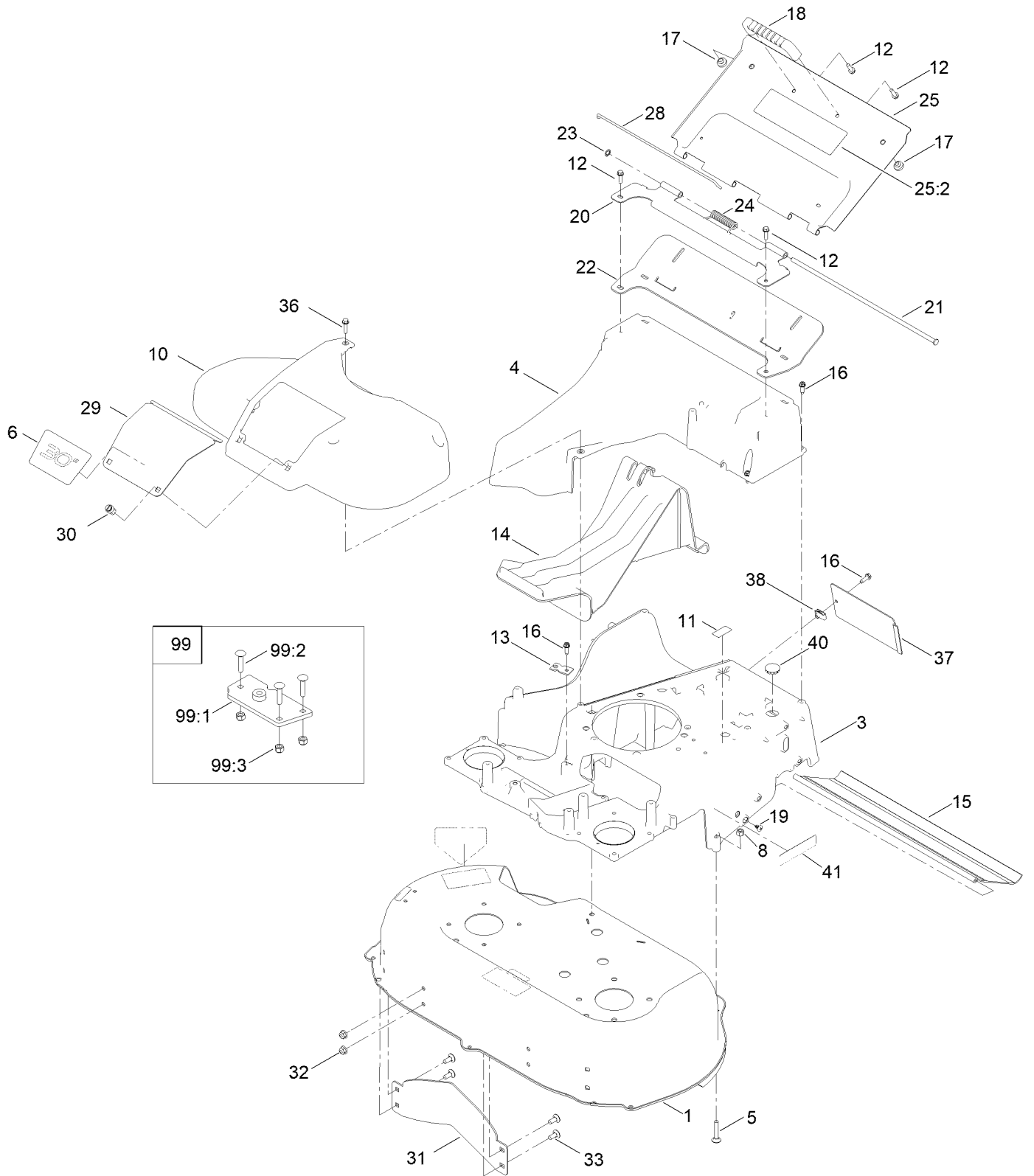
In an illustration, if a reference number indicates more than one part, the reference number has the form nX y. The n represents the quantity of the part, the X is the multiplication symbol, and the y represents the reference number.

For example, in an illustration, the reference number 2X 37 means that two of the parts identified by reference number 37 are indicated.

Contents

Deck Assembly	4
Spindle and Blade Assembly	6
Side Discharge Chute Assembly	8
Grass Bag Assembly	10
Engine and Fuel Tank Assembly	12
Front Bumper and Wheel Assembly	14
Transmission and HOC Assembly	16
Handle Assembly	18
Attachments and Accessories	20

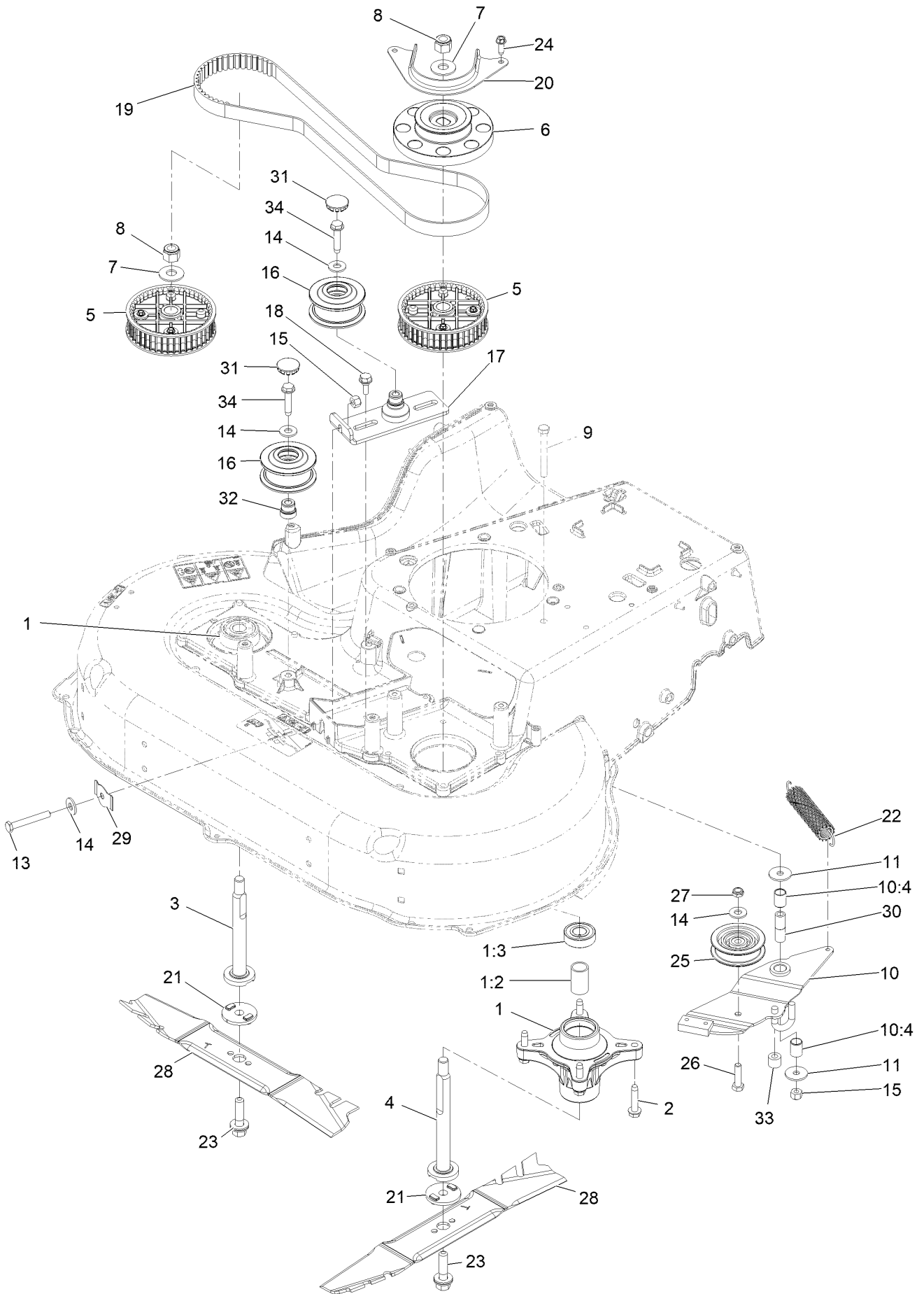
Deck Assembly



Deck Assembly (continued)

<i>Ref.</i>	<i>Part Number</i>	<i>Qty.</i>	<i>Description</i>	<i>Ref.</i>	<i>Part Number</i>	<i>Qty.</i>	<i>Description</i>
1	136-5900	1	Deck ASM	23	32151-72	1	Ring-Retaining
3	145-3920-01	1	Frame-30"	24	116-7573	1	Spring-Torsion, Cover
4	133-8177	1	Chute	25	116-8355	1	Rear Door ASM
5	3230-5	2	Bolt-CARR	25:2	116-7583	1	Decal-Warning
6	139-1674	1	Decal	28	116-6966	1	Clip-Seal
8	3296-29	2	Nut-Lock, NI	29	121-5793-03	1	Door-Access
10	139-5406	1	Cover-Belt	30	121-5840	2	Fastener
11	126-4345	1	Decal-Patent	31	130-2352-01	1	Baffle-Control
12	46-8091	4	Screw-HWH	32	104-8300	4	Nut-HF, NI
13	138-3224	1	Bracket-Cable, Traction	33	3230-23	4	Bolt-CARR
14	120-5225	1	Plug-Mulch	36	32144-86	1	Screw-HWHTF
15	121-5841	1	Shield-Trailing	37	138-5332-01	1	Cover-Frame
16	49-2040	9	Screw-HWHTF	38	107069	1	Clip
17	1-513658	2	Bumper	40	126-7151	1	Plug-Button
18	65-5100	1	Handle-Door	41	133-8062	1	Decal-Spark Arrestor
19	139-1692	2	Screw-PTH	99	125-5072	1	Frame Plate Kit
20	116-6351-03	1	Bracket-Hinge	99:1	125-2542	1	Plate-Frame
21	116-6933	1	Pin-Hinge	99:2	3229-3	3	Screw-CARR
22	116-6229	1	Seal-Door	99:3	3296-42	3	Nut-Lock, NI

Spindle and Blade Assembly



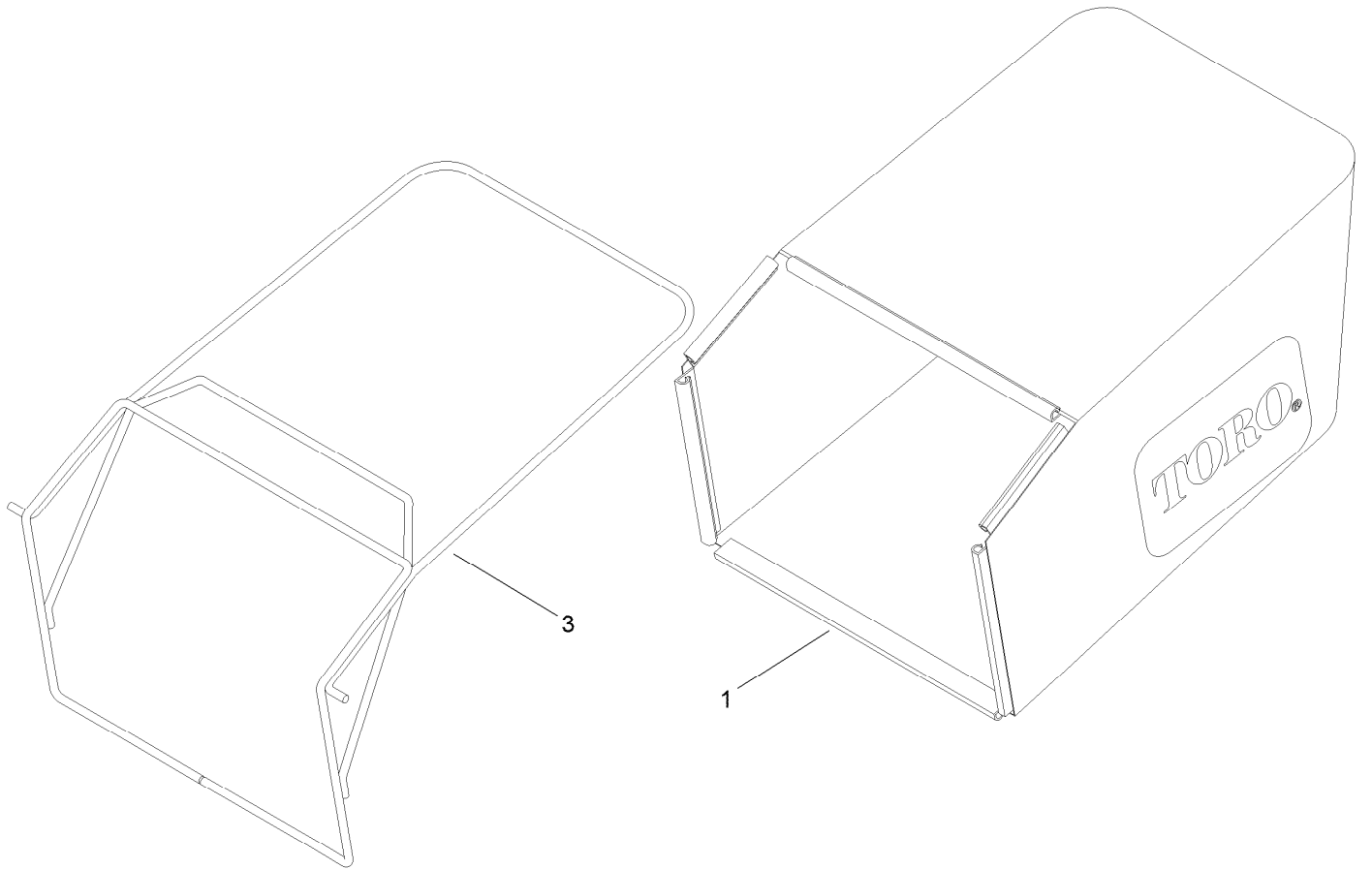
Spindle and Blade Assembly (continued)

<i>Ref.</i>	<i>Part Number</i>	<i>Qty.</i>	<i>Description</i>	<i>Ref.</i>	<i>Part Number</i>	<i>Qty.</i>	<i>Description</i>
1	121-9107	2	Spindle ASM	18	120-7024	2	Screw-HH Flg 1/4-20 X 3/4 Tf
1:2	120-7935	2	Spacer	19	120-3335	1	Belt-Synchronous
1:3	138-9770	2	Bearing-Ball	20	120-5245-03	1	Guide-Belt, Spindle
2	139-1731	8	Screw-Thd Roll, HWH	21	120-5236	2	Adapter-Blade
3	139-6612	1	Shaft-Spindle	22	121-5808	1	Spring-Extension, Brake
4	139-6613	1	Shaft-Spindle	23	125-2466	2	Bolt-Blade
5	121-9100	2	Sprocket	24	49-2040	2	Screw-HWH 1/4-20 X 3/4 Tf
6	130-6664	1	Pulley-Brake, Spindle	25	120-7082	1	Pulley-Idler
7	109-9505	2	Washer, Spring Disc 1/2	26	322-6	1	Screw-HH 5/16-18 X 1 1/4
8	3296-19	2	Nut-Nyloc 1/2-20	27	3296-47	1	Nut-Nyloc 5/16-18 Thin
9	322-13	1	Screw-HH 5/16-18 X 2 3/4	28	116-6358-03	2	Blade-Rotary
10	136-5903	1	Brake Arm ASM	29	121-2336	1	Spring-Flat
10:4	131-0819	2	Bushing-Sleeve	30	131-0823	1	Spacer-Brake
11	5-4460	2	Washer-Pivot	31	126-7151	2	Plug-Button
13	9114524	1	Bolt-HH 5/16-18 X 2 1/4 Tap	32	131-4504	1	Adapter-Bore
14	3256-3	4	Washer-5/16 Std	33	133-1964	1	Spacer
15	3296-29	2	Nut-Nyloc 5/16-18	34	32144-57	2	Screw-HWH 5/16-18 X 1 1/2 Tf
16	126-7890	1	Pulleys And Idler Kit				
17	126-6453	1	Bracket-Idler				

Side Discharge Chute Assembly (continued)

<i>Ref.</i>	<i>Part Number</i>	<i>Qty.</i>	<i>Description</i>	<i>Ref.</i>	<i>Part Number</i>	<i>Qty.</i>	<i>Description</i>
1	322-38	1	Screw-HH 5/16-18 X 4 1/2	7:3	121-9196	1	Bracket-Chute
2	121-9195	1	Hinge	7:4	46-8560	2	Screw-HHF 1/4-20 X 1/2
3	137-4795	2	Screw	7:5	112-6416	1	Bracket-Cover
4	125-2478	1	Spacer	7:6	94-4496	2	Screw-PPH
5	121-9193	1	Spring-Torsion	7:7	3230-18	2	Bolt-Carriage 5/16-18 X 5/8
6	125-5093-01	1	Cover-Discharge	7:8	104-8300	2	Nut-Nyloc 5/16-18 Flg
7	116-9754	1	Side Discharge Chute ASM	8	104-8300	1	Nut-Nyloc 5/16-18 Flg
7:2	116-9752-03	1	Guard-Chute				

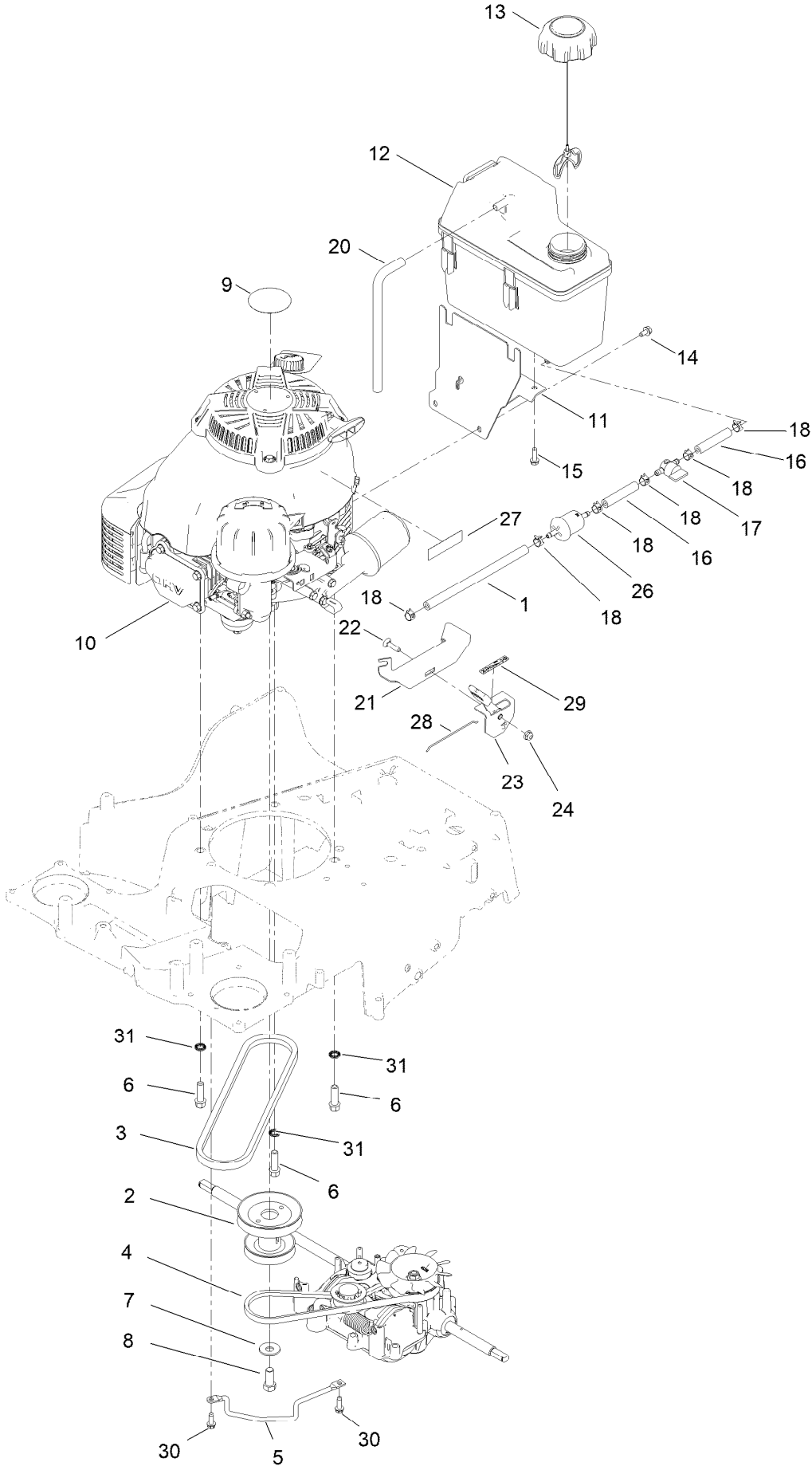
Grass Bag Assembly



Grass Bag Assembly (continued)

<i>Ref.</i>	<i>Part Number</i>	<i>Qty.</i>	<i>Description</i>
1	121-5775	1	Grass Bag ASM
3	116-5596-03	1	Frame-Bag

Engine and Fuel Tank Assembly



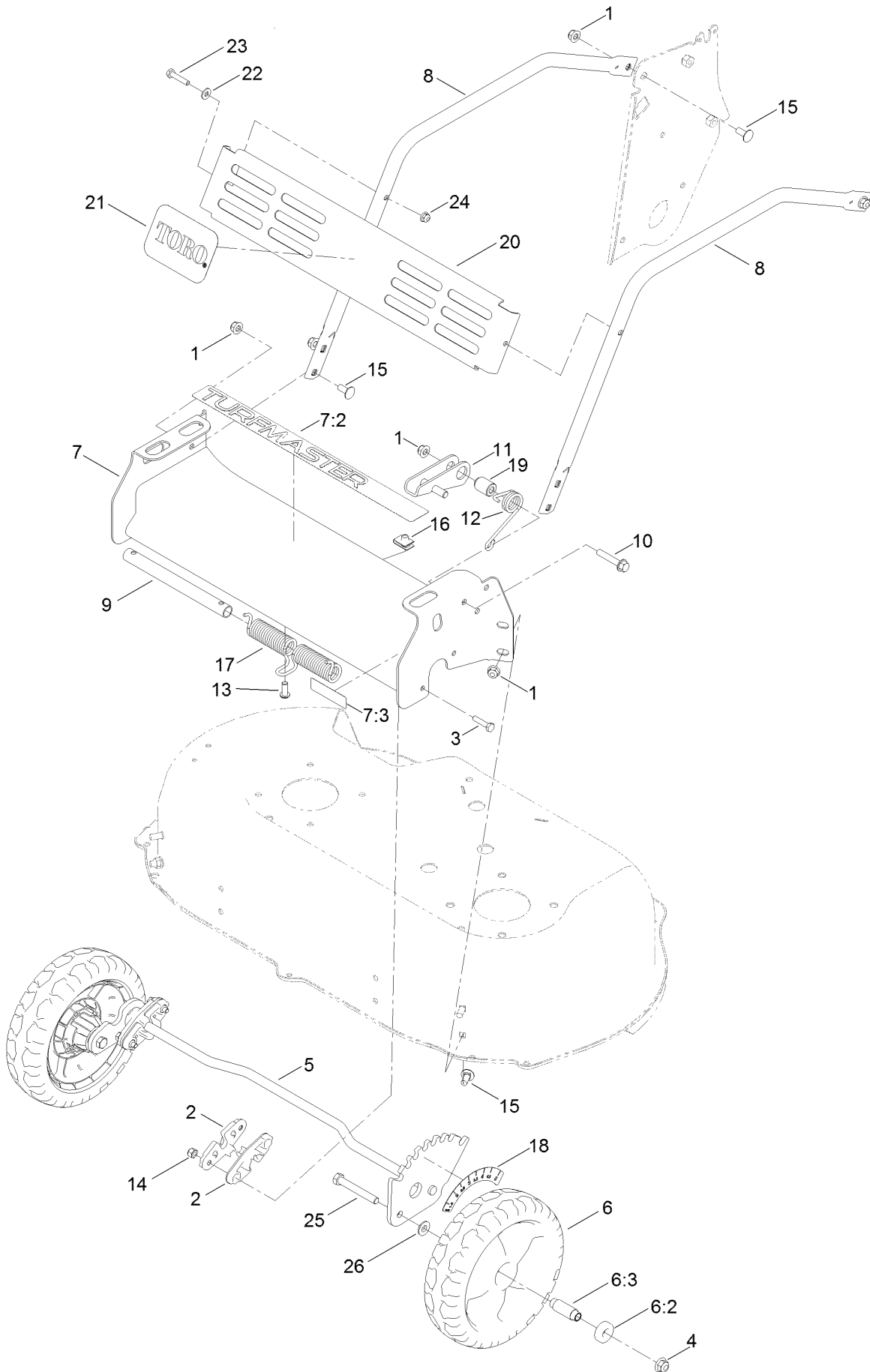
Engine and Fuel Tank Assembly (continued)

<i>Ref.</i>	<i>Part Number</i>	<i>Qty.</i>	<i>Description</i>	<i>Ref.</i>	<i>Part Number</i>	<i>Qty.</i>	<i>Description</i>
1	119-1892	1	Hose-Fuel	16	109-0304	2	Hose-Fuel
2	137-9181	1	Pulley-Engine	17	1-603770	1	Valve-Fuel
3	121-5765	1	V-Belt	18	2412-98	6	Clamp-Hose
4	133-8151	1	Belt-V	20	115-0962	1	Hose-Vent, Canister
5	138-5331-03	1	Rod-Guide, Belt	21	130-6440-03	1	Bracket-Mount, Throttle
6	95-1727	3	Screw-Taptite	22	3229-30	1	Screw-CARR
7	3290-465	1	Washer-Belleville	23	130-9655	1	Control-Throttle
8	3212-4	1	Screw-HH	24	104-7201	1	Nut-HF, NI
9	109-6528	1	Decal-Recoil	26	139-0717	1	Filter-Fuel
10		1	Engine-Kawasaki Fj180V ●■	27	116-9313	1	Decal-Warning, Engine
11	115-0954-03	1	Mount-Tank	28	130-9654	1	Wire-Control
12	114-0280	1	Tank-Fuel	29	130-9656	1	Decal-Throttle, Choke
13	137-4127	1	Cap-Fuel	30	49-2040	2	Screw-HWHTF
14	116-8929	3	Screw-HWH Trs,Patch	31	145-3960	3	Washer-Lock
15	46-8091	2	Screw-HWH				

● Not serviced separately

■ Obtain parts from www.kawpower.com

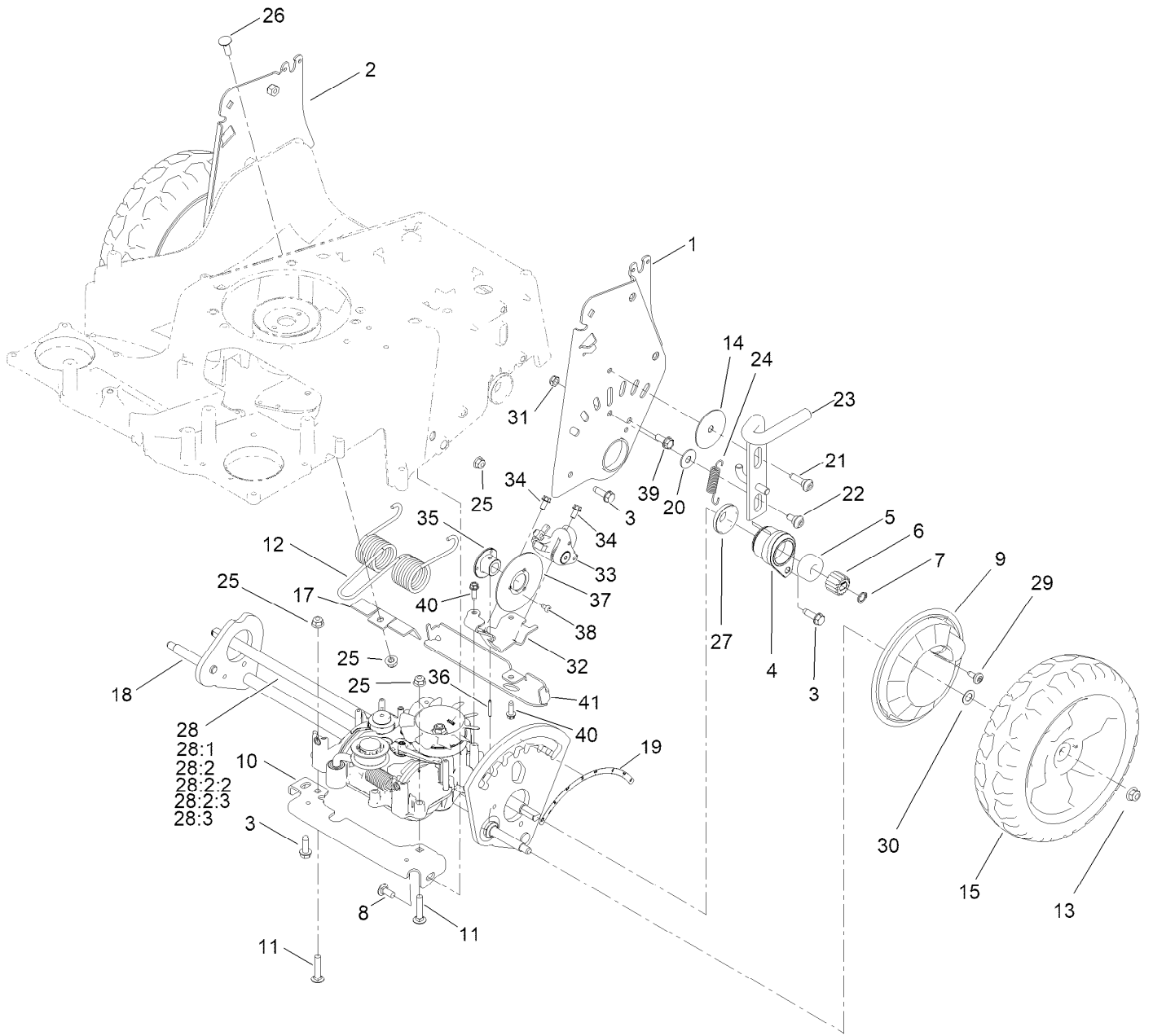
Front Bumper and Wheel Assembly



Front Bumper and Wheel Assembly (continued)

<i>Ref.</i>	<i>Part Number</i>	<i>Qty.</i>	<i>Description</i>	<i>Ref.</i>	<i>Part Number</i>	<i>Qty.</i>	<i>Description</i>
1	104-8300	11	Nut-HF, NI	12	120-9465	1	Spring-Torsion
2	121-5781	4	Bushing-Front	13	3274-55	1	Screw-HSBH
3	321-7	4	Screw-HH	14	3296-42	4	Nut-Lock, NI
4	104-8301	2	Nut-HF, NI	15	3230-23	10	Bolt-CARR
5	139-8968	1	Front Axle ASM	16	94-2413	1	Nut-U
6	133-2639	2	Wheel	17	121-2337	1	Spring-Torsion
6:2	133-2603	2	Bearing-Ball	18	136-9077	1	Decal-HOC, Front
6:3	125-1077	1	Spacer	19	125-2486	1	Spacer
7	139-6616	1	Front Bumper ASM	20	121-9187-03	1	Shield
7:2	139-1675	1	Decal-Turfmaster HDX	21	117-0871	1	Decal
7:3	116-7581	1	Decal-Warning	22	3256-22	2	Washer-Flat
8	121-9168-03	2	Brace	23	321-8	2	Screw-HH
9	131-9690	1	Mandrell-Spring	24	104-7201	2	Nut-HF, NI
10	94-5780	1	Screw-HWH	25	323-13	2	Screw-HH
11	139-1744	1	Lock-Height, Adj	26	74-1671	2	Spacer-Cover, Wheel

Transmission and HOC Assembly

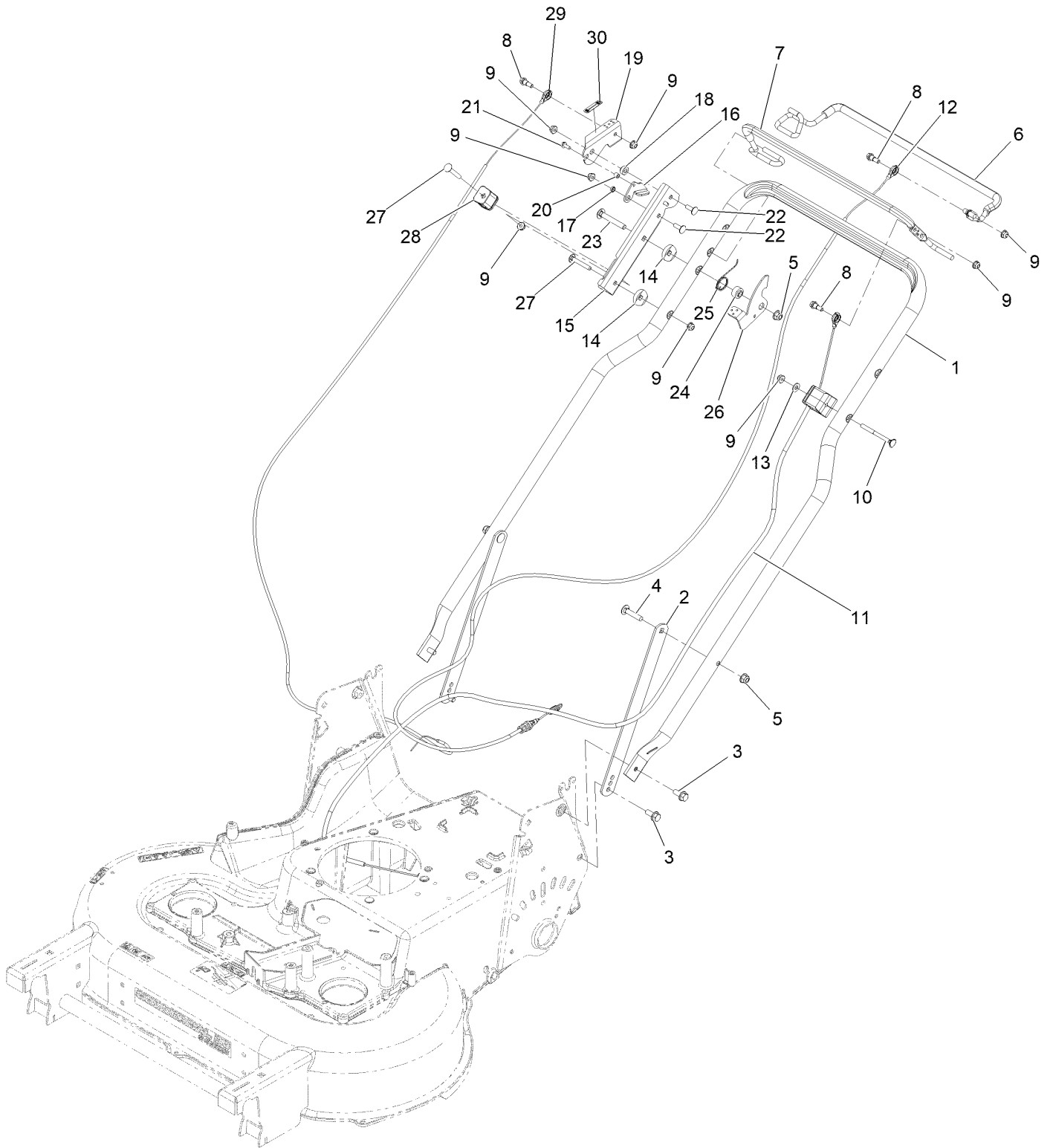


Transmission and HOC Assembly (continued)

<i>Ref.</i>	<i>Part Number</i>	<i>Qty.</i>	<i>Description</i>	<i>Ref.</i>	<i>Part Number</i>	<i>Qty.</i>	<i>Description</i>
1	137-9172-03	1	HOC Plate Assembly	25	104-8300	4	Nut-HF, NI
2	137-9173-03	1	HOC Plate Assembly	26	3230-2	1	Bolt-CARR
3	701243	7	Screw-Thd Roll, HWH	27	137-9185	2	Cover-Bearing
4	137-9183	2	Bearing Retainer ASM	28	133-2670	1	Transmission-Mv702
5	137-4779	4	Bearing-Ball, Custom	28:1	139-1837	1	Pulley & Fan Repair Kit
6	136-9111	2	Gear-Pinion, 15T	28:2	139-1842	1	Idler Pulley Repair Kit
7	32151-61	2	Ring-Retaining	28:2:2	139-1844	1	Pulley-Idler
8	3230-23	1	Bolt-CARR	28:2:3	139-1845	1	Spring-Tension, Belt
9	136-7095	2	Cover-Wheel	28:3	139-8974	1	Clutch Lever Repair Kit
10	133-8104-03	1	Bracket-Transmission, Front	29	120-7950	2	Screw-Torx
11	3230-4	2	Screw-CARR	30	36-4780	2	Washer-Plain
12	121-2368	1	Spring-Torsion	31	3296-47	1	Nut-Lock,NI
13	104-8301	2	Nut-HF, NI	32	138-5394-03	1	Bracket-Mount, Brake
14	125-2540	1	Washer-Plain	33	138-5398	1	Caliper-Brake, Disc
15	137-9174	2	10.5 In. Wheel ASM	33:1	139-8999	2	Pad-Brake, Disc ●
17	121-2397	1	Bracket	34	32144-85	2	Screw-HWH Thd Form
18	139-8967	1	Rear Axle ASM	35	139-8990	1	Hub-Rotor
19	116-7127	1	Decal-HOC, Rear	36	933156	1	Pin-Roll
20	52-2860	1	Washer	37	138-5396	1	Disc-Rotor
21	119-2267	1	Screw-Shoulder, BHTF	38	139-8960	3	Screw-Torx PH Thd Roll
22	120-9471	1	Bolt-Shoulder	39	609471	1	Screw
23	139-1737	1	Lock-Height, Adj	40	49-2040	2	Screw-HWHTF
24	138-5393	1	Spring-Extension	41	140-1262-01	1	Bracket-Support, Cable

● Not illustrated

Handle Assembly



Handle Assembly (continued)

<i>Ref.</i>	<i>Part Number</i>	<i>Qty.</i>	<i>Description</i>	<i>Ref.</i>	<i>Part Number</i>	<i>Qty.</i>	<i>Description</i>
1	147-0540-03	1	Handle	17	138-5368	1	Spacer
2	116-8208-03	2	Support-Handle	18	139-1817	1	Washer-Stepped
3	116-7230	4	Screw-HHF	19	139-1819	1	Lever-Brake
4	3230-4	2	Screw-CARR	20	117-9965	1	Spacer
5	104-8300	3	Nut-HF, NI	21	32144-1	1	Screw-Taptite
6	139-1815	1	Bail-Traction, Coated	22	1-807512	2	Bolt-CARR
7	137-4810	1	Bail-BBC, Coated	23	3230-7	1	Bolt-CARR
8	42-3560	3	Bolt-Shoulder	24	116-2690	1	Bushing-Stepped
9	104-7201	8	Nut-HF, NI	25	109-9318	1	Spring-Lever, BBC
10	140-3985	1	Screw-Handle	26	116-2998	1	Lever-BBC
11	137-4759	1	Cable-BBC	27	3229-5	2	Screw-CARR
12	137-4807	1	Cable-Traction	28	106-6801	1	Anchor-Cable
13	3256-1	1	Washer-Flat	29	138-5399	1	Cable-Brake, Parking
14	106-7260	2	Washer-Curved	30	139-5405	1	Decal-Brake, Parking
15	139-1818-03	1	Mount-Lever, Brake	99	614249	4	Tie-Cable ●
16	147-0441	1	Link-Actuation, Brake				

● Not illustrated

Attachments and Accessories

For 22215 — 30in TurfMaster HDX Walk-Behind Lawn Mower

Product Name	Model/Part
Atomic Blade 15.4in.....	120-9500-03
Mulching Kit.....	125-5064
Idler Pulley Kit.....	126-7890

Notes:

Notes:

Notes:



Count on it.