



**Count on it.**

**Parts Catalog**

**76cm TurfMaster®**

**Walk-Behind Lawn Mower**

Model No. 22207—Serial No. 410100000 and Up



# Ordering Replacement Parts

To order replacement parts, please supply the part number, the quantity, and the description of each part desired.

## Understanding Reference Numbers

Each identified part in an illustration has a reference number. The reference number for a part also appears in the parts list, along with other information about the part.

This catalog uses two special reference number formats, one to indicate parts in a service assembly and another to indicate the quantity of a given part in an illustration.

## Service Assembly Reference Numbers

Parts in service assemblies have reference numbers in the form a:b. The a represents the reference number of the entire service assembly and the b represents a sequential number unique to each part within the service assembly.

For example, a wheel assembly might be identified by reference number 6, the tire by 6:1, the valve by 6:2, and the wheel by 6:3. When you order the assembly identified by reference number 6, you receive all parts identified by reference numbers 6:1, 6:2, and 6:3. However, you may also order any part individually. Reference numbers of this type appear in illustration and in parts lists.

## Reference Numbers Indicating Quantity

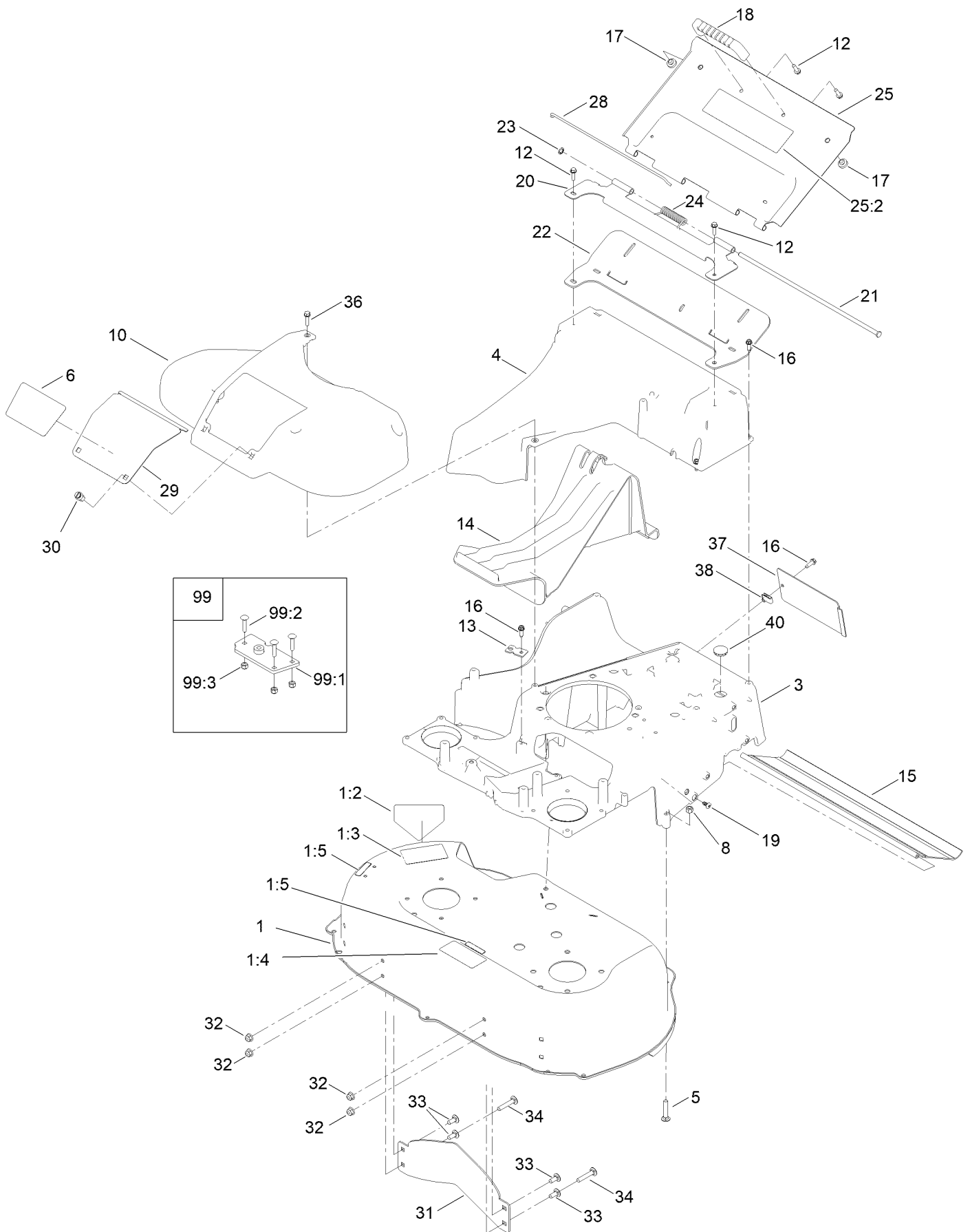
In an illustration, if a reference number indicates more than one part, the reference number has the form nX y. The n represents the quantity of the part, the X is the multiplication symbol, and the y represents the reference number.

For example, in an illustration, the reference number 2X 37 means that two of the parts identified by reference number 37 are indicated.

# Contents

Deck, Frame and Chute Assembly .....	4
Blade and Spindle Assembly .....	6
Pulleys and Idler Assembly No. 126-7890 .....	8
Side Discharge Chute Assembly .....	10
Grass Bag Assembly .....	12
Engine and Fuel Tank Assembly .....	14
Front Bumper and Wheel Assembly .....	16
Transmission and HOC Assembly .....	18
Handle Assembly .....	20
Attachments and Accessories .....	22

# Deck, Frame and Chute Assembly

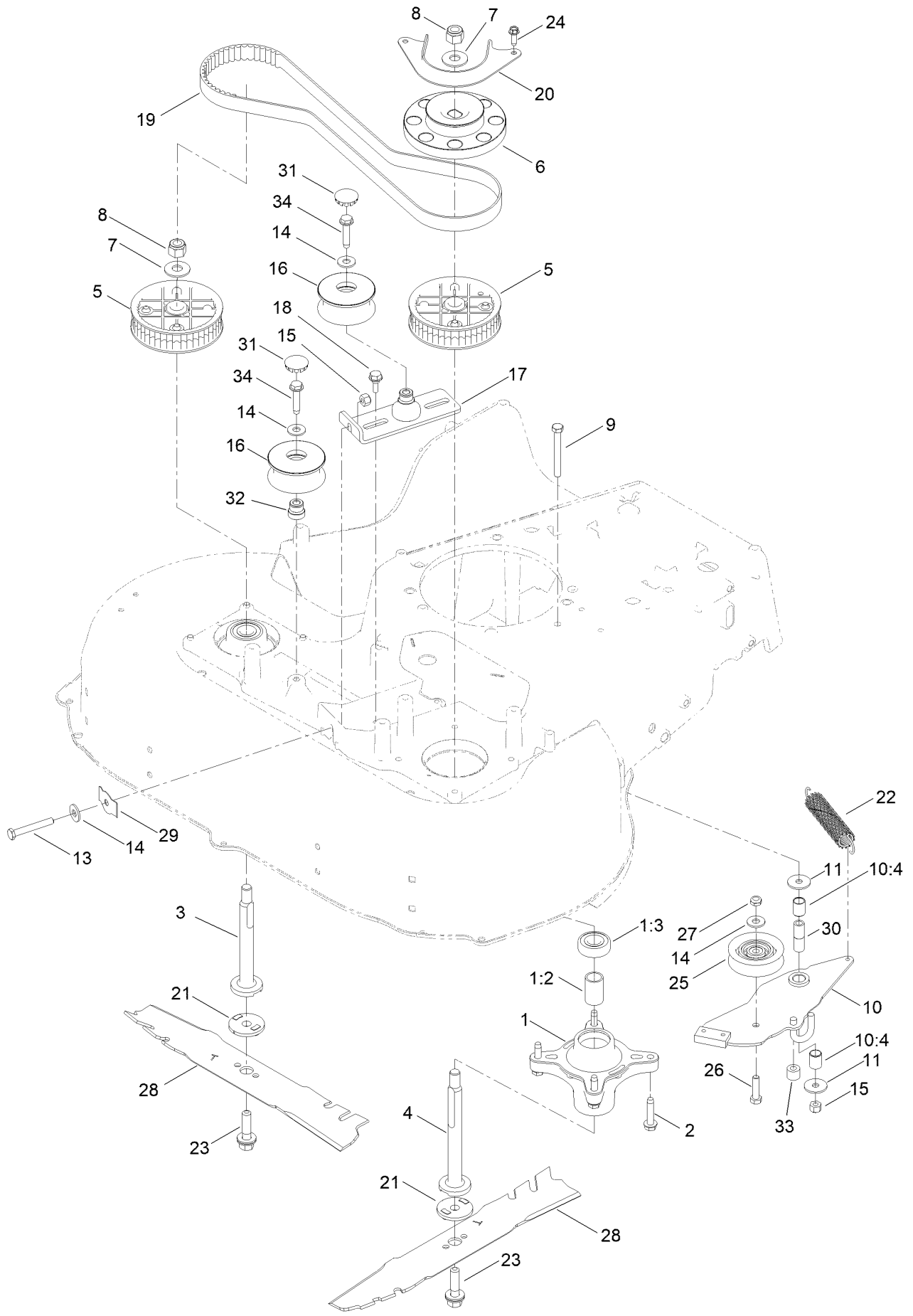


## Deck, Frame and Chute Assembly (continued)

<i>Ref.</i>	<i>Part Number</i>	<i>Qty.</i>	<i>Description</i>	<i>Ref.</i>	<i>Part Number</i>	<i>Qty.</i>	<i>Description</i>
1	136-5901	1	Deck-30 Inch	22	116-6229	1	Seal-Door
1:2	112-8760	1	Decal-Danger	23	32151-72	1	Ring-Retaining
1:3	145-3851	1	Decal-Danger, CE	24	116-7573	1	Spring-Torsion, Cover
1:4	116-8528	1	Decal	25	116-8355	1	Rear Door ASM
1:5	120-9570	2	Decal-Warning	25:2	116-7583	1	Decal-Warning
3	133-8107-01	1	*obs* Frame	28	116-6966	1	Clip-Seal
4	133-8177	1	Chute	29	121-5793-03	1	Door-Access
5	3230-5	2	Bolt-CARR	30	121-5840	2	Fastener
6	139-1824	1	Decal-76CM	31	130-2352-01	1	Baffle-Control
8	3296-29	2	Nut-Lock, NI	32	104-8300	4	Nut-HF, NI
10	139-5406	1	Cover-Belt	33	3230-23	2	Bolt-CARR
12	46-8091	4	Screw-HWH	34	116-0629	2	Screw-CARR
13	138-3224	1	Bracket-Cable, Traction	35	127-6862-01	1	Plate-Deck ●
14	120-5225	1	Plug-Mulch	36	32144-86	1	Screw-HWHTF
15	121-5841	1	Shield-Trailing	37	138-5332-01	1	Cover-Frame
16	49-2040	9	Screw-HWHTF	38	107069	1	Clip
17	1-513658	2	Bumper	40	126-7151	1	Plug-Button
18	65-5100	1	Handle-Door	99	125-5072	1	Frame Plate Kit
19	117-1092	2	Screw-PTH	99:1	125-2542	1	Plate-Frame
20	116-6351-03	1	Bracket-Hinge	99:2	3229-3	3	Screw-CARR
21	116-6933	1	Pin-Hinge	99:3	3296-42	3	Nut-Lock, NI

● Not illustrated

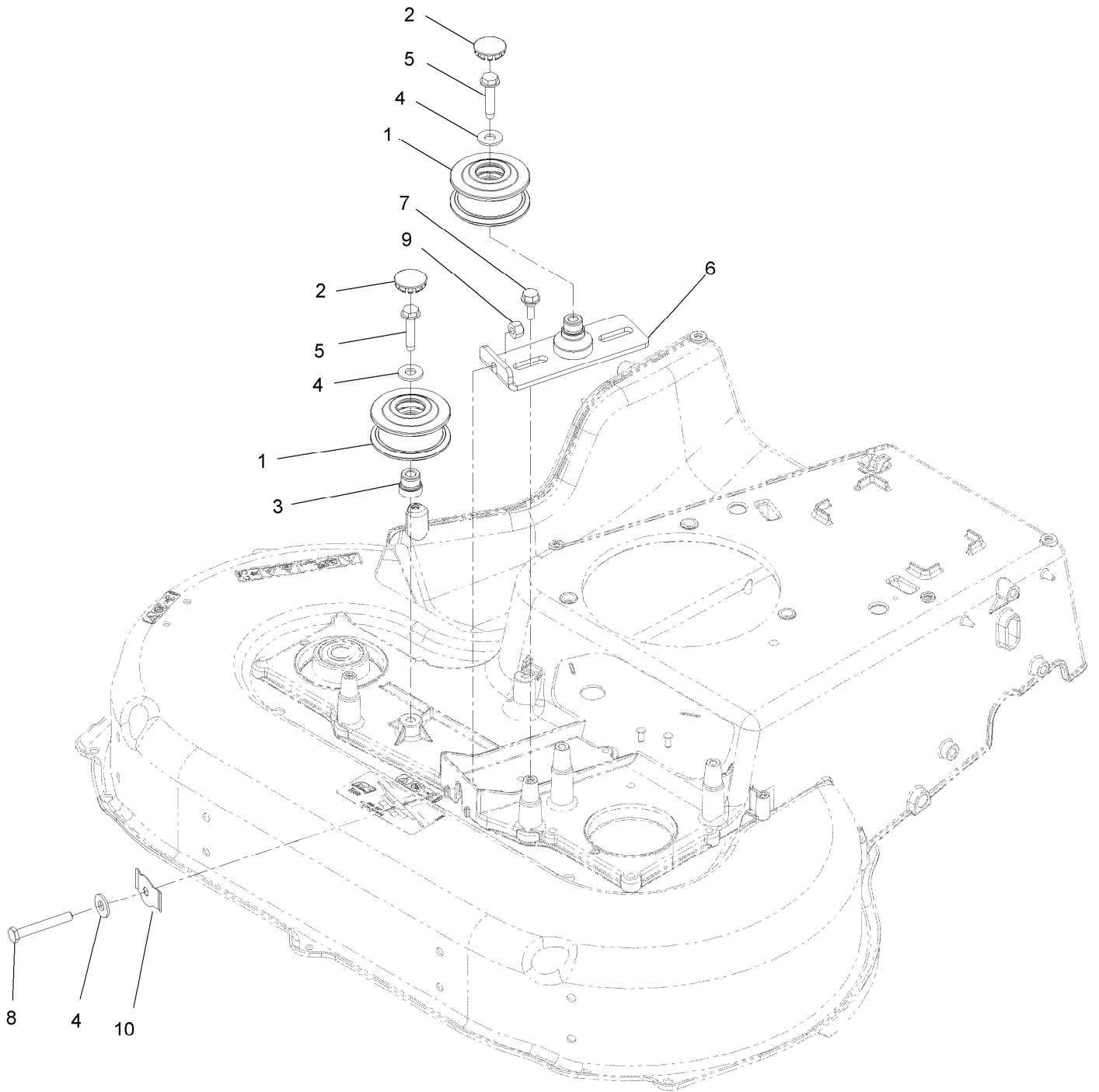
# Blade and Spindle Assembly



## Blade and Spindle Assembly (continued)

<i>Ref.</i>	<i>Part Number</i>	<i>Qty.</i>	<i>Description</i>	<i>Ref.</i>	<i>Part Number</i>	<i>Qty.</i>	<i>Description</i>
1	121-9107	2	Spindle ASM	17	126-6453	1	Bracket-Idler
1:2	120-7935	2	Spacer	18	120-7024	2	Screw-Shoulder, HWH
1:3	136-5441	2	Bearing-Ball	19	120-3335	1	Belt-Synchronous
2	139-1731	8	Screw-Thd Roll, HWH	20	120-5245-03	1	Guide-Belt, Spindle
3	139-6612	1	Shaft-Spindle	21	120-5236	2	Adapter-Blade
4	139-6613	1	Shaft-Spindle	22	121-5808	1	Spring-Extension, Brake
5	121-9100	2	Sprocket	23	125-2466	2	Bolt-Blade
6	130-6664	1	Pulley-Brake, Spindle	24	49-2040	2	Screw-HWHTF
7	109-9505	2	Washer-Spring	25	120-7082	1	Pulley-Idler
8	3296-19	2	Nut-Hex	26	322-6	1	Screw-HH
9	322-13	1	Screw-HH	27	3296-47	1	Nut-Lock,NI
10	136-5903	1	Brake Arm ASM	28	120-9500-03	2	Blade-Atomic, 15.4 Inch
10:4	131-0819	2	Bushing-Sleeve	29	121-2336	1	Spring-Flat
11	5-4460	2	Washer-Pivot	30	131-0823	1	Spacer-Brake
13	9114524	1	Bolt-TAP, HH	31	126-7151	2	Plug-Button
14	3256-3	4	Washer-Flat	32	131-4504	1	Adapter-Bore
15	3296-29	2	Nut-Lock, NI	33	133-1964	1	Spacer
16	126-7890	1	Pulleys And Idler Kit	34	32144-57	2	Screw-Thd Roll

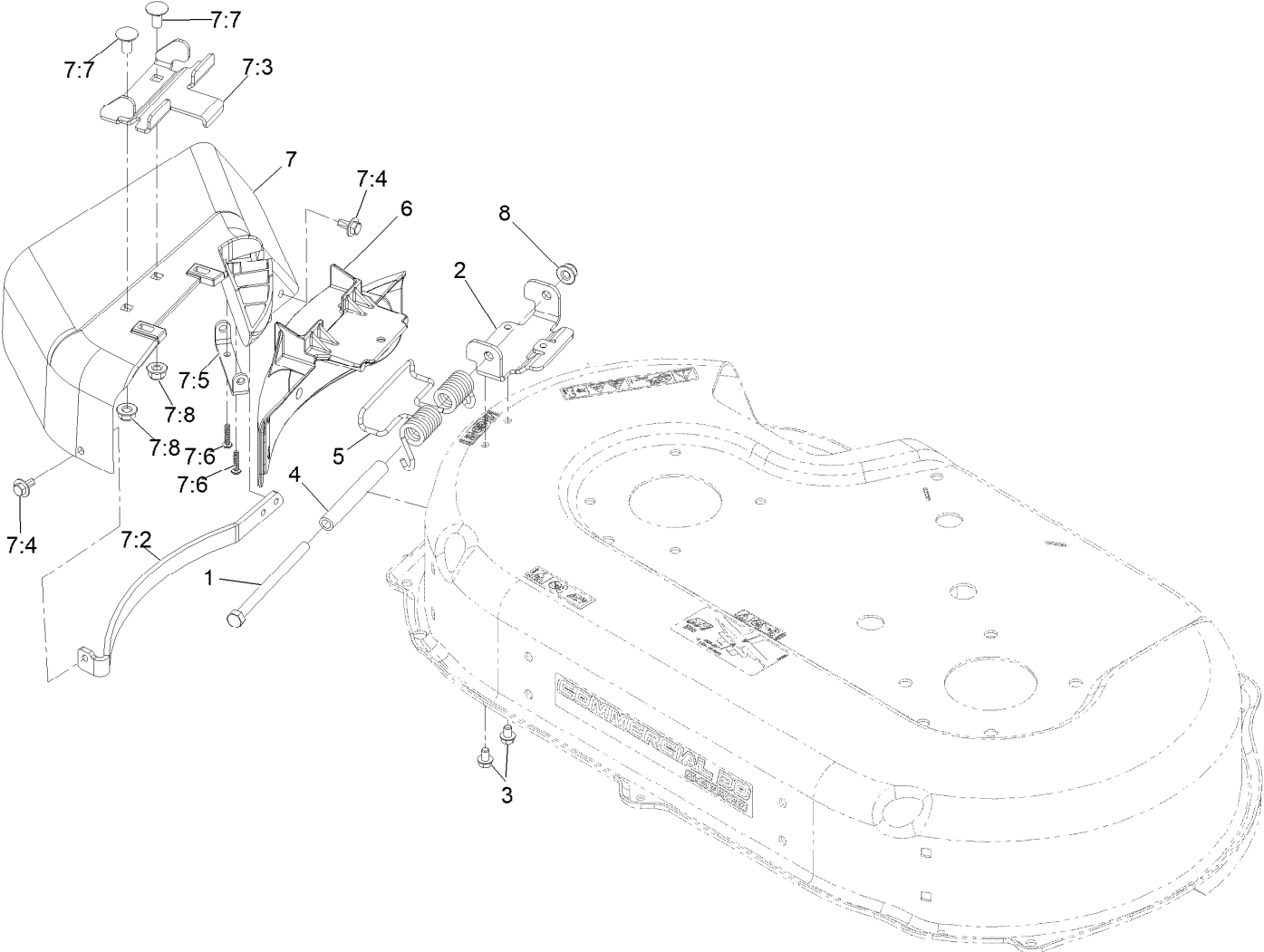
# Pulleys and Idler Assembly No. 126-7890



## Pulleys and Idler Assembly No. 126-7890 (continued)

<i>Ref.</i>	<i>Part Number</i>	<i>Qty.</i>	<i>Description</i>	<i>Ref.</i>	<i>Part Number</i>	<i>Qty.</i>	<i>Description</i>
1	126-5880	2	Pulley-Idler, Flat	6	126-6453	1	Bracket-Idler
2	126-7151	2	Plug-Button	7	120-7024	2	Screw-Shoulder, HWH
3	131-4504	1	Adapter-Bore	8	9114524	1	Bolt-TAP, HH
4	3256-3	3	Washer-Flat	9	3296-29	1	Nut-Lock, NI
5	32144-57	2	Screw-Thd Roll	10	121-2336	1	Spring-Flat

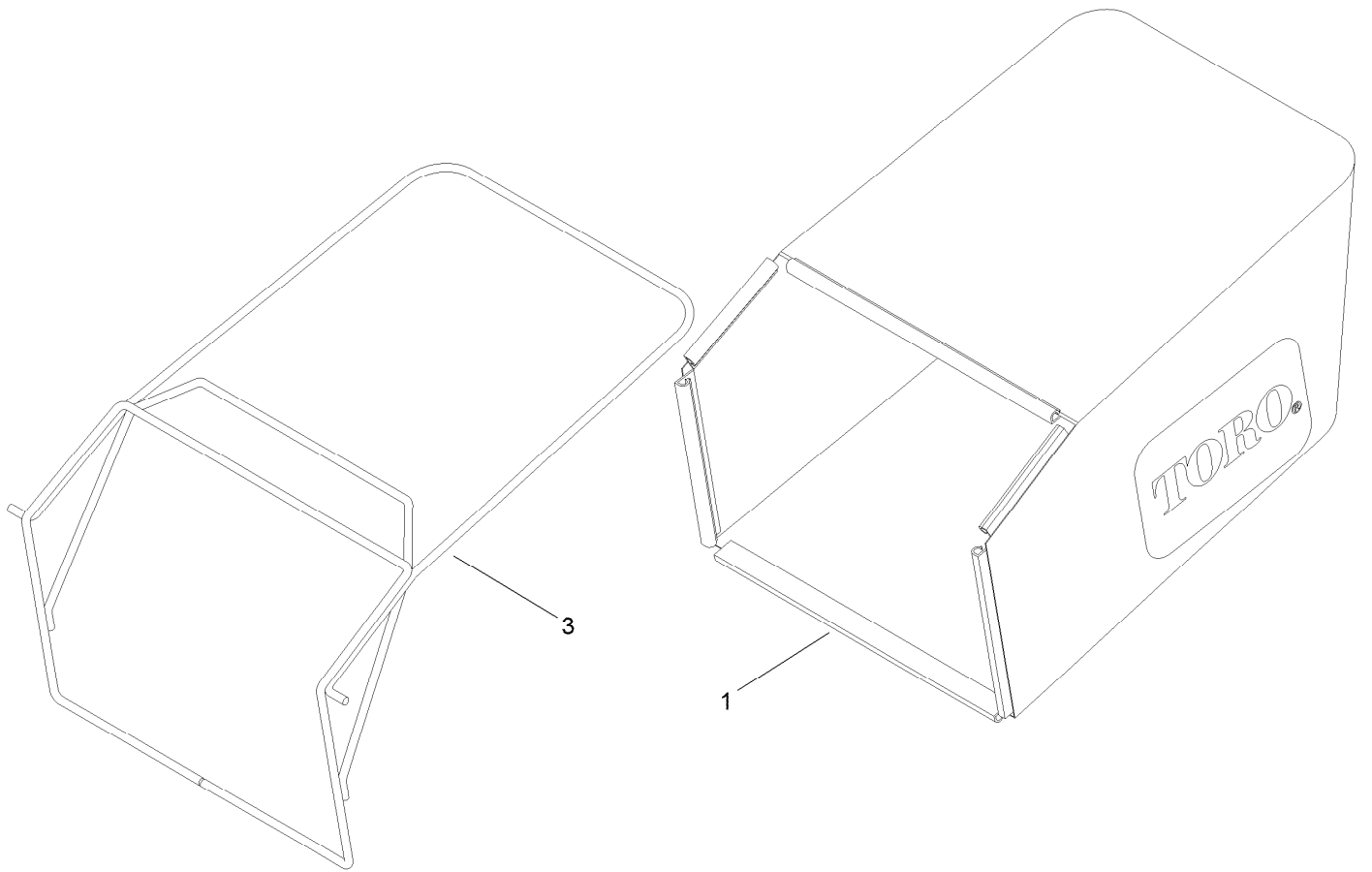
# Side Discharge Chute Assembly



## Side Discharge Chute Assembly (continued)

<i>Ref.</i>	<i>Part Number</i>	<i>Qty.</i>	<i>Description</i>	<i>Ref.</i>	<i>Part Number</i>	<i>Qty.</i>	<i>Description</i>
1	322-38	1	Screw-HH	7:3	121-9196	1	Bracket-Chute
2	121-9195	1	Hinge	7:4	46-8560	2	Screw-HHFTF
3	137-4795	2	Screw	7:5	112-6416	1	Bracket-Cover
4	125-2478	1	Spacer	7:6	94-4496	2	Screw-PPH
5	121-9193	1	Spring-Torsion	7:7	3230-18	2	Screw-CARR
6	125-5093-01	1	Cover-Discharge	7:8	104-8300	2	Nut-HF, NI
7	116-9754	1	Side Discharge Chute ASM	8	104-8300	1	Nut-HF, NI
7:2	116-9752-03	1	Guard-Chute				

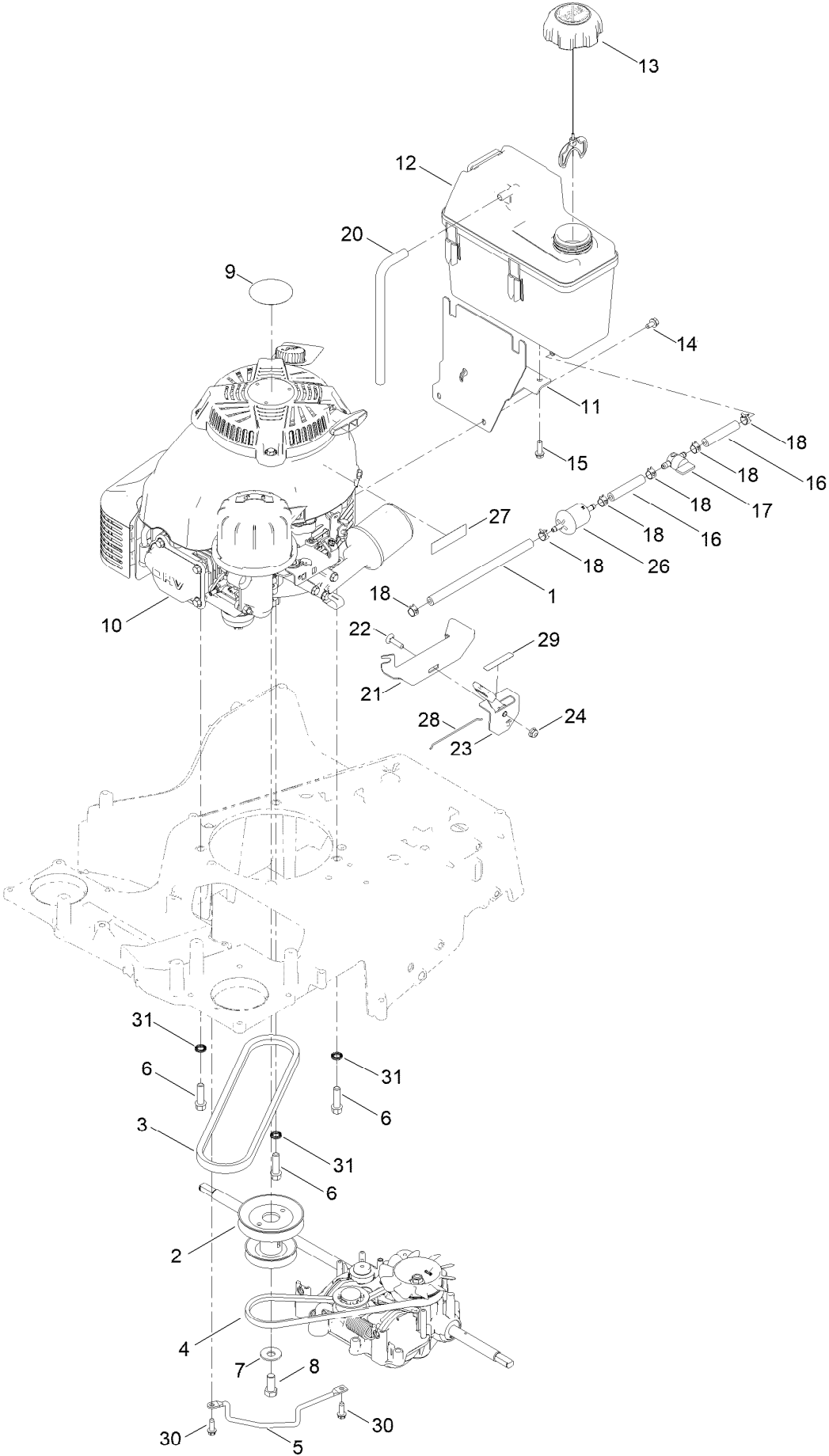
# Grass Bag Assembly



## Grass Bag Assembly (continued)

<i>Ref.</i>	<i>Part Number</i>	<i>Qty.</i>	<i>Description</i>
1	121-5775	1	Grass Bag ASM
3	116-5596-03	1	Frame-Bag

# Engine and Fuel Tank Assembly



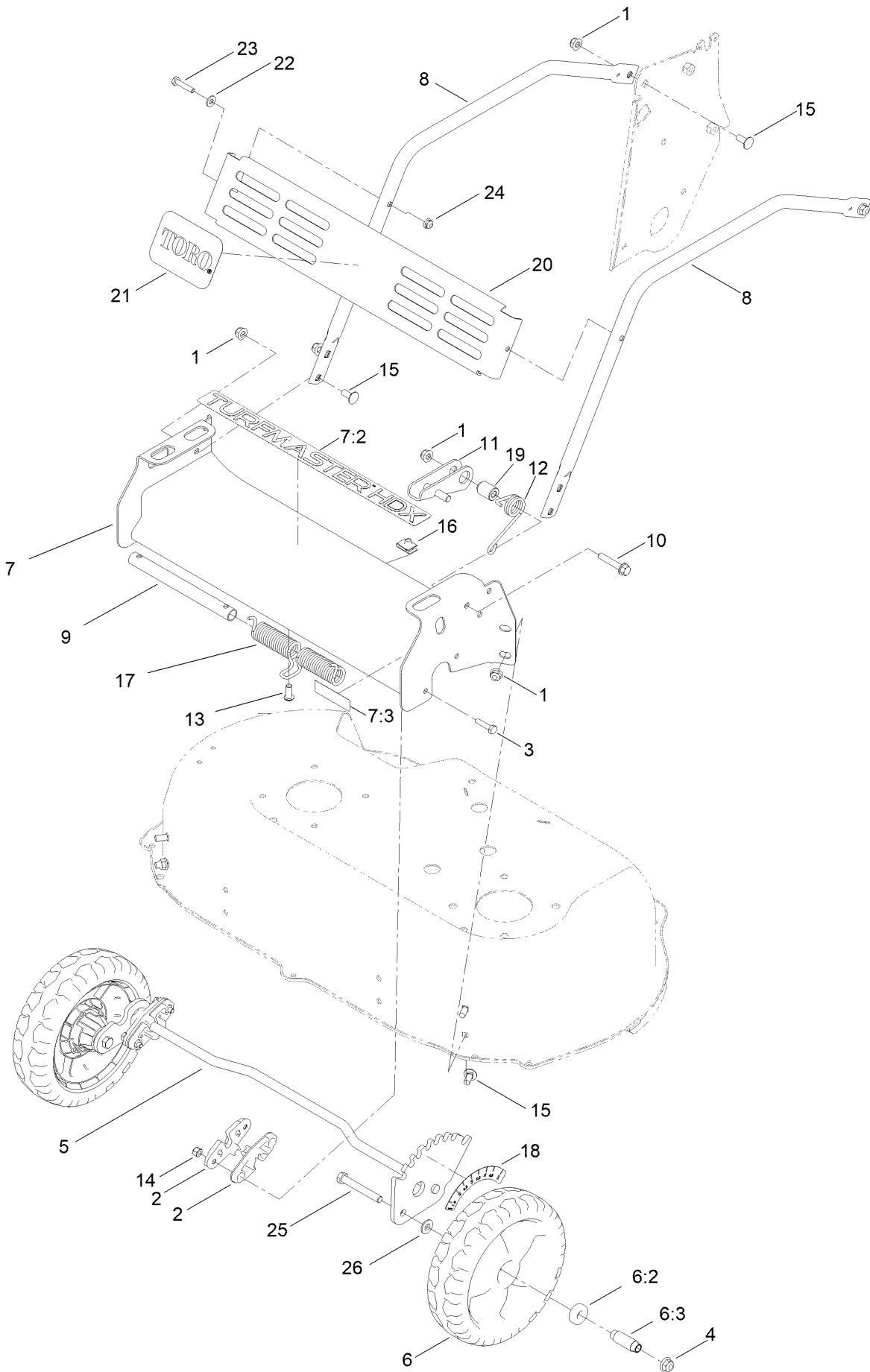
## Engine and Fuel Tank Assembly (continued)

<i>Ref.</i>	<i>Part Number</i>	<i>Qty.</i>	<i>Description</i>	<i>Ref.</i>	<i>Part Number</i>	<i>Qty.</i>	<i>Description</i>
1	119-1892	1	Hose-Fuel	16	109-0304	2	Hose-Fuel
2	137-9181	1	Pulley-Engine	17	1-603770	1	Valve-Fuel
3	121-5765	1	V-Belt	18	2412-98	6	Clamp-Hose
4	133-8151	1	Belt-V	20	115-0962	1	Hose-Vent, Canister
5	138-5331-03	1	Rod-Guide, Belt	21	130-6440-03	1	Bracket-Mount, Throttle
6	95-1727	3	Screw-Taptite	22	3229-30	1	Screw-CARR
7	3290-465	1	Washer-Belleville	23	130-9655	1	Control-Throttle
8	3212-4	1	Screw-HH	24	104-7201	1	Nut-HF, NI
9	109-6528	1	Decal-Recoil	26	139-0717	1	Filter-Fuel
10		1	Engine-Fj180V Kaw BBC ●■	27	116-9313	1	Decal-Warning, Engine
11	115-0954-03	1	Mount-Tank	28	130-9654	1	Wire-Control
12	114-0280	1	Tank-Fuel	29	130-9656	1	Decal-Throttle, Choke
13	137-4127	1	Cap-Fuel	30	49-2040	2	Screw-HWHTF
14	116-8929	3	Screw-HWH Trs,Patch	31	104662	3	Spacer
15	46-8091	2	Screw-HWH				

● Not serviced separately

■ Obtain parts from [www.kawpower.com](http://www.kawpower.com)

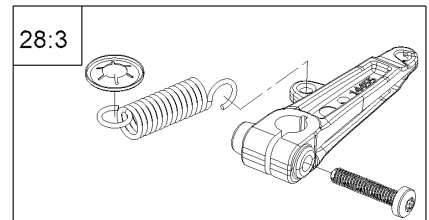
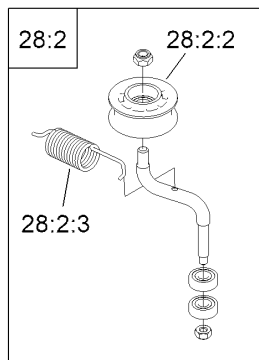
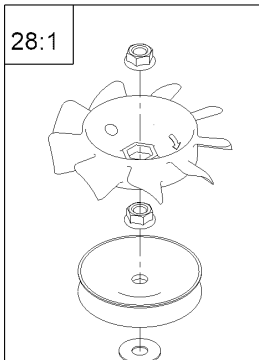
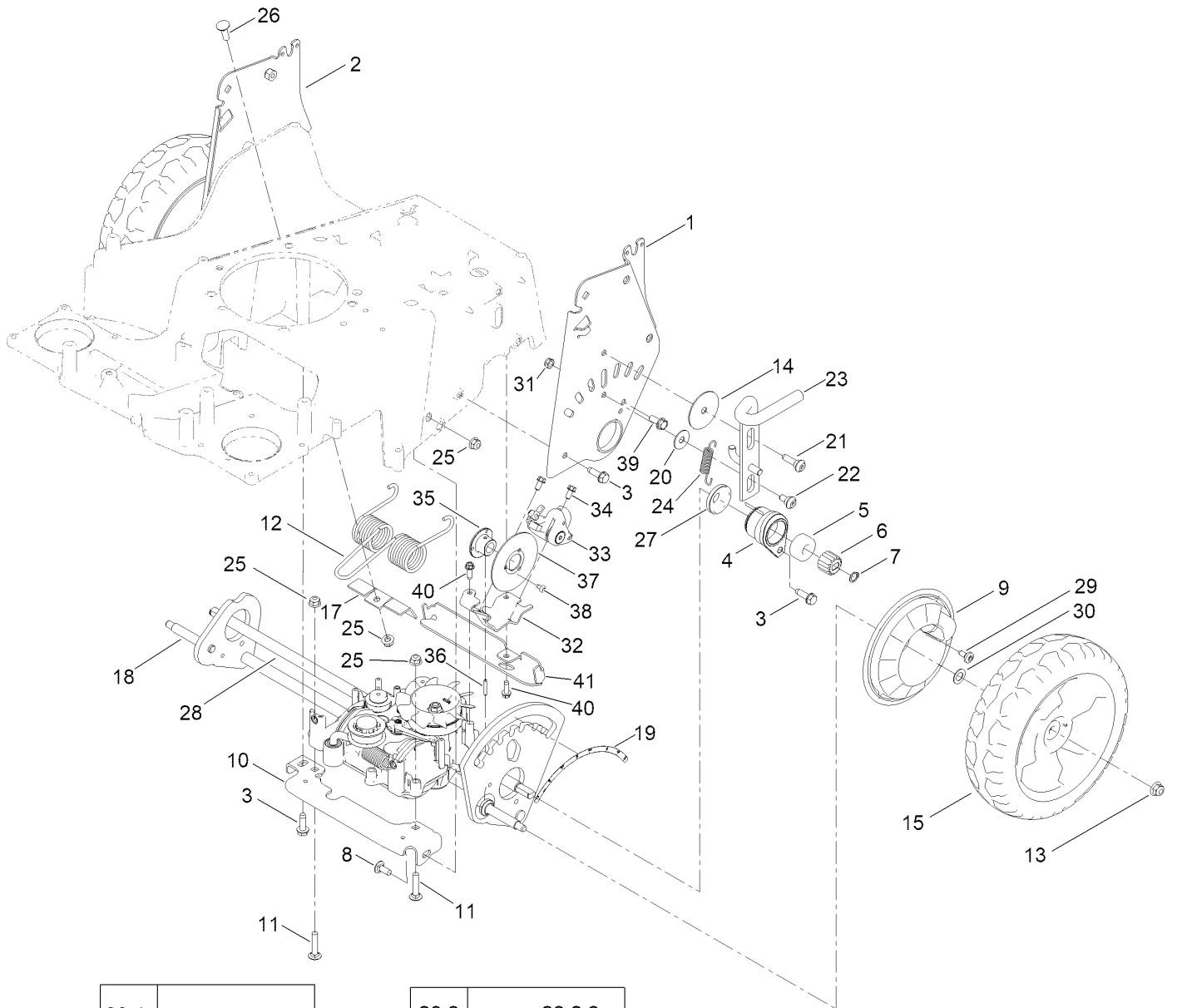
# Front Bumper and Wheel Assembly



## Front Bumper and Wheel Assembly (continued)

<i>Ref.</i>	<i>Part Number</i>	<i>Qty.</i>	<i>Description</i>	<i>Ref.</i>	<i>Part Number</i>	<i>Qty.</i>	<i>Description</i>
1	104-8300	11	Nut-HF, NI	12	120-9465	1	Spring-Torsion
2	121-5781	4	Bushing-Front	13	3274-55	1	Screw-HSBH
3	321-7	4	Screw-HH	14	3296-42	4	Nut-Lock, NI
4	104-8301	2	Nut-HF, NI	15	3230-23	10	Bolt-CARR
5	139-8968	1	Front Axle ASM	16	94-2413	1	Nut-U
6	133-2639	2	Wheel	17	121-2337	1	Spring-Torsion
6:2	133-2603	2	Bearing-Ball	18	136-9078	1	Decal-HOC, Front
6:3	125-1077	1	Spacer	19	125-2486	1	Spacer
7	139-6616	1	Front Bumper ASM	20	121-9187-03	1	Shield
7:2	139-1675	1	Decal-Turfmaster HDX	21	117-0871	1	Decal
7:3	116-7581	1	Decal-Warning	22	3256-22	2	Washer-Flat
8	121-9168-03	2	Brace	23	321-8	2	Screw-HH
9	131-9690	1	Mandrell-Spring	24	104-7201	2	Nut-HF, NI
10	94-5780	1	Screw-HWH	25	323-13	2	Screw-HH
11	139-1744	1	Lock-Height, Adj	26	74-1671	2	Spacer-Cover, Wheel

# Transmission and HOC Assembly

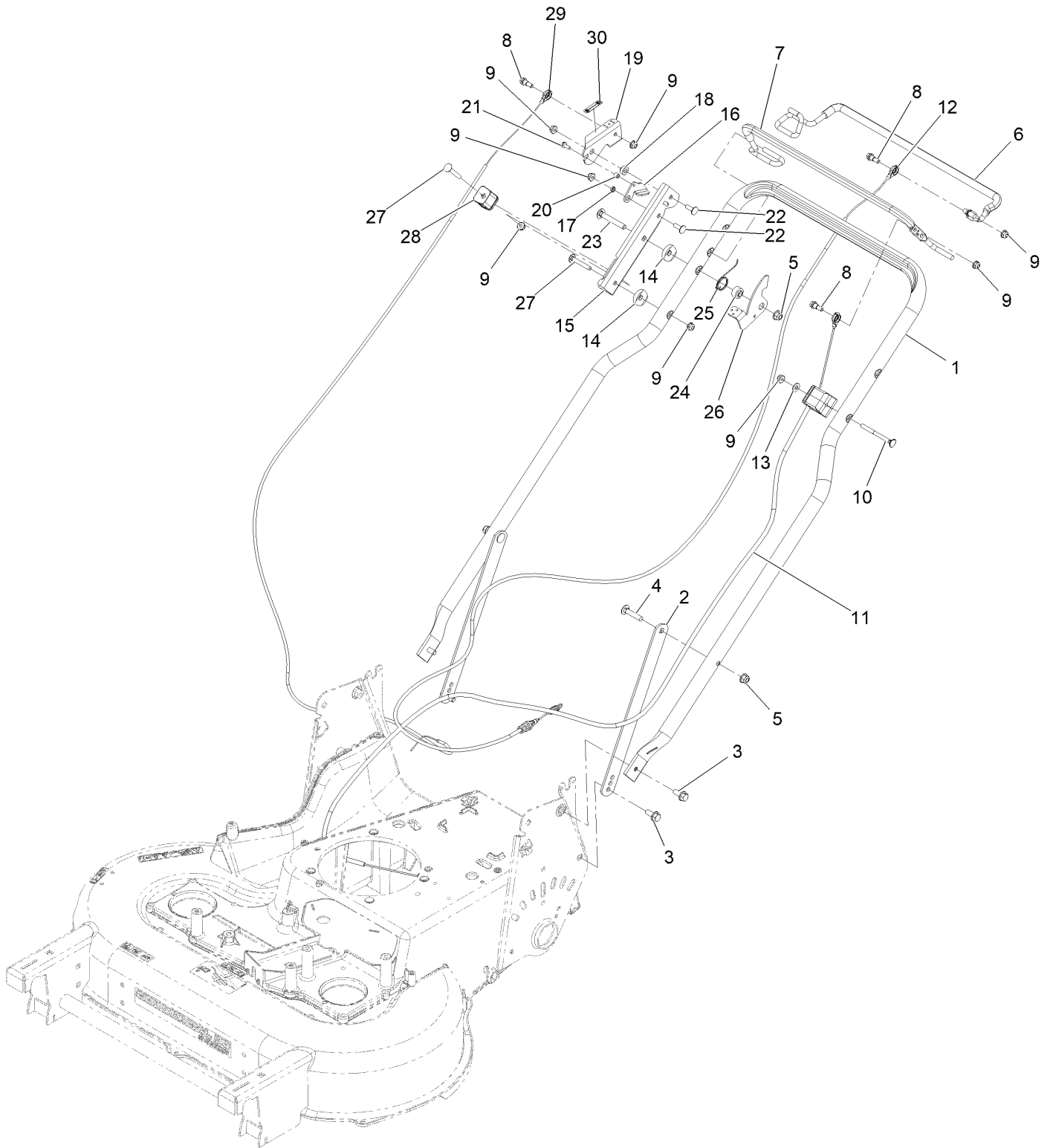


## Transmission and HOC Assembly (continued)

<i>Ref.</i>	<i>Part Number</i>	<i>Qty.</i>	<i>Description</i>	<i>Ref.</i>	<i>Part Number</i>	<i>Qty.</i>	<i>Description</i>
1	137-9172-03	1	HOC Plate Assembly	25	104-8300	4	Nut-HF, NI
2	137-9173-03	1	HOC Plate Assembly	26	3230-2	1	Bolt-CARR
3	701243	7	Screw-Thd Roll, HWH	27	137-9185	2	Cover-Bearing
4	137-9183	2	Bearing Retainer ASM	28	133-2670	1	Transmission-Mv702
5	137-4779	4	Bearing-Ball, Custom	28:1	139-1837	1	Pulley & Fan Repair Kit
6	136-9111	2	Gear-Pinion, 15T	28:2	139-1842	1	Idler Pulley Repair Kit
7	32151-61	2	Ring-Retaining	28:2:2	139-1844	1	Pulley-Idler
8	3230-23	1	Bolt-CARR	28:2:3	139-1845	1	Spring-Tension, Belt
9	136-7095	2	Cover-Wheel	28:3	139-8974	1	Clutch Lever Repair Kit
10	133-8104-03	1	Bracket-Transmission, Front	29	120-7950	2	Screw-Torx
11	3230-4	2	Screw-CARR	30	36-4780	2	Washer-Plain
12	121-2368	1	Spring-Torsion	31	3296-47	1	Nut-Lock,NI
13	104-8301	2	Nut-HF, NI	32	138-5394-03	1	Bracket-Mount, Brake
14	125-2540	1	Washer-Plain	33	138-5398	1	Caliper-Brake, Disc
15	137-9174	2	10.5 In. Wheel ASM	33:1	139-8999	2	Pad-Brake, Disc ●
17	121-2397	1	Bracket	34	32144-4	2	Screw-HWH
18	139-8967	1	Rear Axle ASM	35	139-8990	1	Hub-Rotor
19	127-6865	1	Decal-HOC, Rear	36	933156	1	Pin-Roll
20	52-2860	1	Washer	37	138-5396	1	Disc-Rotor
21	119-2267	1	Screw-Shoulder, BHTF	38	139-8960	3	Screw-Torx PH Thd Roll
22	120-9471	1	Bolt-Shoulder	39	609471	1	Screw
23	139-1737	1	Lock-Height, Adj	40	49-2040	2	Screw-HWHTF
24	138-5393	1	Spring-Extension	41	140-1262-01	1	Bracket-Support, Cable

● Not illustrated

# Handle Assembly



## Handle Assembly (continued)

<i>Ref.</i>	<i>Part Number</i>	<i>Qty.</i>	<i>Description</i>	<i>Ref.</i>	<i>Part Number</i>	<i>Qty.</i>	<i>Description</i>
1	137-4767-03	1	Handle	18	139-1817	1	Washer-Stepped
2	116-8208-03	2	Support-Handle	19	139-1819	1	Lever-Brake
3	116-7230	4	Screw-HHF	20	117-9965	1	Spacer
4	3230-4	2	Bolt-Carriage 5/16-18 X 1 1/2	21	32144-1	1	Screw-HWH #10-24 X 1/2 Taptite
5	104-8300	3	Nut-Nyloc 5/16-18 Flg	22	1-807512	2	Bolt-Carriage 1/4-20 X 3/4 Short Neck
6	139-1815	1	Bail-Traction, Coated	23	3230-7	1	Bolt-Carriage 5/16-18 X 2 1/4
7	137-4810	1	Bail-BBC, Coated	24	116-2690	1	Bushing-Stepped
8	42-3560	3	Bolt-Shoulder	25	109-9318	1	Spring-Lever, BBC
9	104-7201	8	Nut-Nyloc 1/4-20 Flg	26	116-2998	1	Lever-BBC
10	140-3985	1	Screw-Handle	27	3229-5	2	Screw-CARR
11	137-4759	1	Cable-BBC	28	106-6801	1	Anchor-Cable
12	137-4807	1	Cable-Traction	29	138-5399	1	Cable-Brake, Parking
13	3256-1	1	Washer-Flat	30	139-5405	1	Decal-Brake, Parking
14	106-7260	2	Washer-Curved	99	614249	4	Tie-Cable ●
15	139-1818-03	1	Mount-Lever, Brake				
16	139-1813	1	*obs* Link-Actuation, Brake				
17	138-5368	1	Spacer				

● Not illustrated

# Attachments and Accessories

## For 22207 — 76cm TurfMaster Walk-Behind Lawn Mower

Product Name	Model/Part
Atomic Blade 15.4in.....	120-9500-03
Mulching Kit.....	125-5064
Idler Pulley Kit.....	126-7890

**Notes:**



**Count on it.**