



Count on it.

Parts Catalog

**30in TurfMaster® HDX
Walk-Behind
Lawn Mower**

Model No. 22236—Serial No. 400000000 and Up



Ordering Replacement Parts

To order replacement parts, please supply the part number, the quantity, and the description of each part desired.

Understanding Reference Numbers

Each identified part in an illustration has a reference number. The reference number for a part also appears in the parts list, along with other information about the part.

This catalog uses two special reference number formats, one to indicate parts in a service assembly and another to indicate the quantity of a given part in an illustration.

Service Assembly Reference Numbers

Parts in service assemblies have reference numbers in the form a:b. The a represents the reference number of the entire service assembly and the b represents a sequential number unique to each part within the service assembly.

For example, a wheel assembly might be identified by reference number 6, the tire by 6:1, the valve by 6:2, and the wheel by 6:3. When you order the assembly identified by reference number 6, you receive all parts identified by reference numbers 6:1, 6:2, and 6:3. However, you may also order any part individually. Reference numbers of this type appear in illustration and in parts lists.

Reference Numbers Indicating Quantity

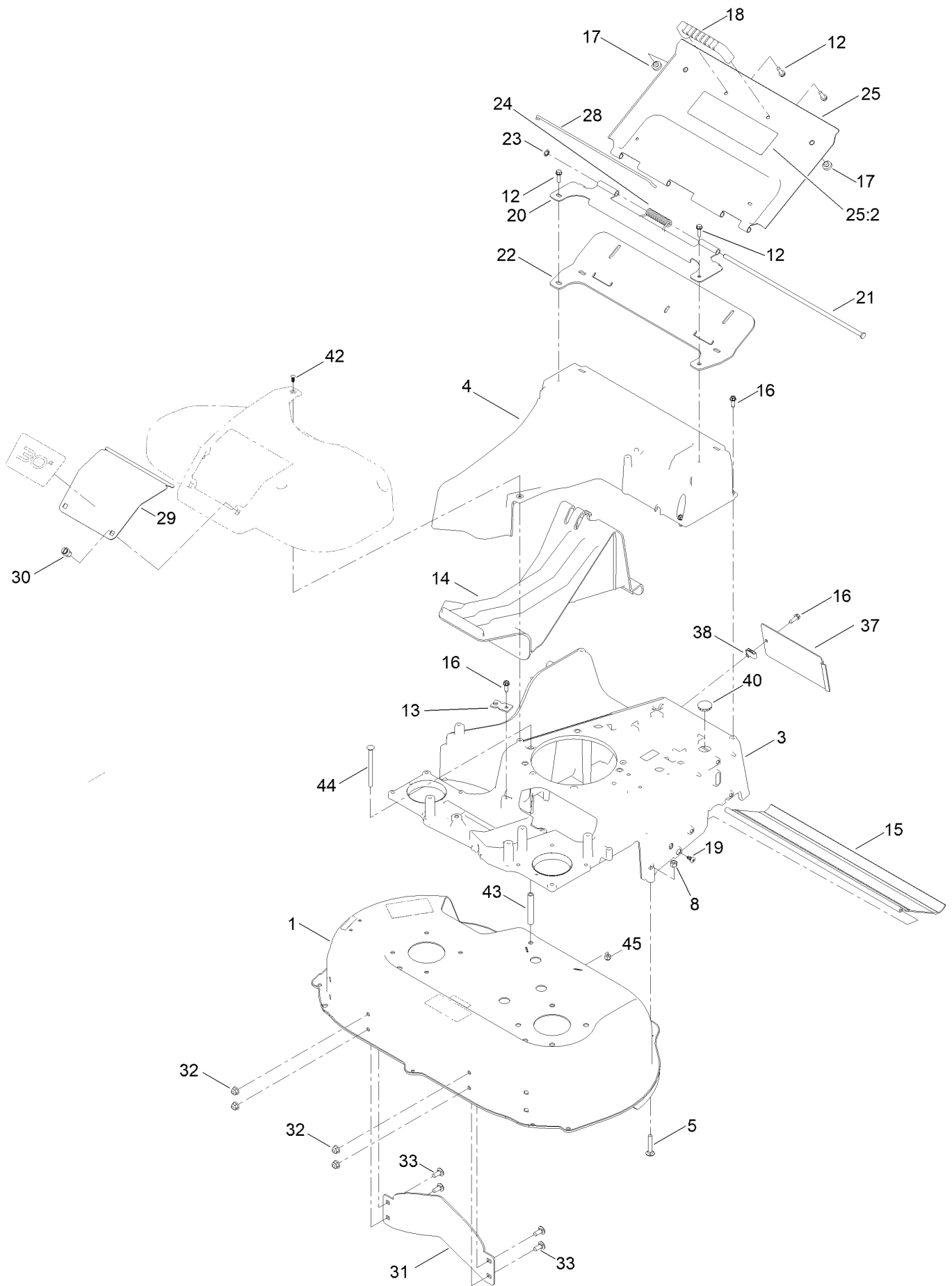
In an illustration, if a reference number indicates more than one part, the reference number has the form nX y. The n represents the quantity of the part, the X is the multiplication symbol, and the y represents the reference number.

For example, in an illustration, the reference number 2X 37 means that two of the parts identified by reference number 37 are indicated.

Contents

Housing Assembly	4
Spindle and Blade Assembly	6
Pulleys and Idler Assembly No. 126-7890	8
Side Discharge Chute Assembly	10
Grass Bag Assembly	12
Deck Decal Assembly	14
Engine and Fuel Tank Assembly	16
Front Bumper and Wheel Assembly	18
Traction and Height-of-Cut Assembly	20
Handle Assembly	22
Attachments and Accessories	24

Housing Assembly



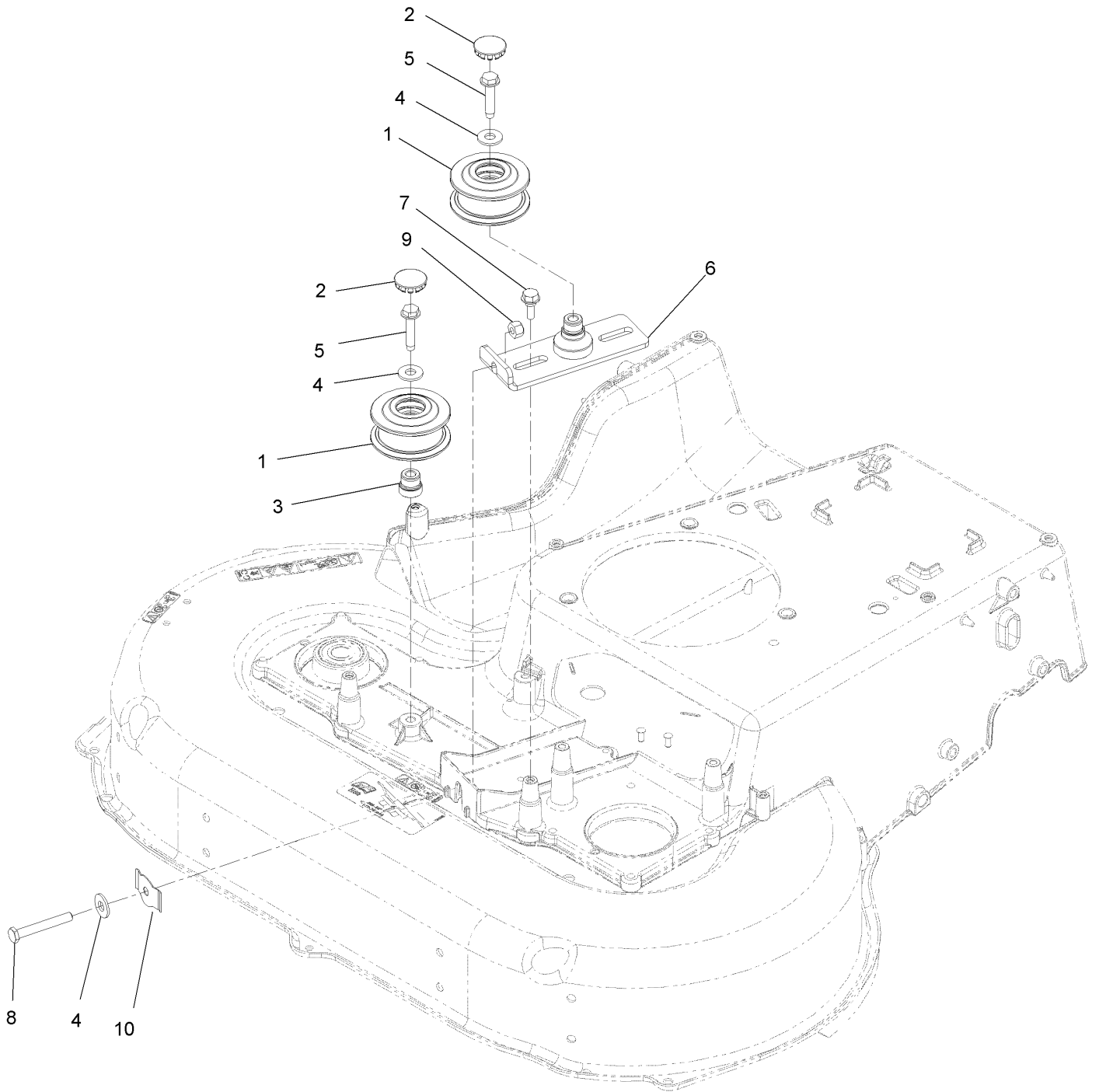
Housing Assembly (continued)

<i>Ref.</i>	<i>Part Number</i>	<i>Qty.</i>	<i>Description</i>	<i>Ref.</i>	<i>Part Number</i>	<i>Qty.</i>	<i>Description</i>
1	163-7227	1	Deck-30In	24	116-7573	1	Spring-Torsion, Cover
3	145-3920-01	1	Frame-30"	25	116-8355	1	Rear Door ASM
4	133-8177	1	Chute	25:2	116-7583	1	Decal-Warning
5	3230-5	2	Bolt-CARR	28	116-6966	1	Clip-Seal
8	3296-29	2	Nut-Lock, NI	29	121-5793-03	1	Door-Access
12	46-8091	4	Screw-HWH	30	121-5840	2	Fastener
13	138-3224	1	Bracket-Cable, Traction	31	130-2352-01	1	Baffle-Control
14	120-5225	1	Plug-Mulch	32	104-8300	4	Nut-HF, NI
15	121-5841	1	Shield-Trailing	33	3230-23	4	Bolt-CARR
16	49-2040	9	Screw-HWHTF	37	138-5332-01	1	Cover-Frame
17	1-513658	2	Bumper	38	107069	1	Clip
18	65-5100	1	Handle-Door	40	126-7151	1	Plug-Button
19	139-1692	2	Screw-PTH	42	140-1341	1	Clip-Xmas Tree
20	116-6351-03	1	Bracket-Hinge	43	145-3921	1	Spacer
21	116-6933	1	Pin-Hinge	44	109-6795	1	Bolt-CARR
22	116-6229	1	Seal-Door	45	137-3087	1	Nut-Hex
23	32151-72	1	Ring-Retaining				

Spindle and Blade Assembly (continued)

<i>Ref.</i>	<i>Part Number</i>	<i>Qty.</i>	<i>Description</i>	<i>Ref.</i>	<i>Part Number</i>	<i>Qty.</i>	<i>Description</i>
1	121-9107	2	Spindle ASM	18	120-7024	2	Screw-HH Flg 1/4-20 X 3/4 Tf
1:2	120-7935	2	Spacer	19	120-3335	1	Belt-Synchronous
1:3	138-9770	2	Bearing-Ball	20	120-5245-03	1	Guide-Belt, Spindle
2	139-1731	8	Screw-Thd Roll, HWH	21	120-5236	2	Adapter-Blade
3	139-6612	1	Shaft-Spindle	22	121-5808	1	Spring-Extension, Brake
4	139-6613	1	Shaft-Spindle	23	125-2466	2	Bolt-Blade
5	121-9100	2	Sprocket	24	49-2040	2	Screw-HWH 1/4-20 X 3/4 Tf
6	130-6664	1	Pulley-Brake, Spindle	25	120-7082	1	Pulley-Idler
7	109-9505	2	Washer, Spring Disc 1/2	26	322-6	1	Screw-HH 5/16-18 X 1 1/4
8	3296-19	2	Nut-Nyloc 1/2-20	27	3296-47	1	Nut-Nyloc 5/16-18 Thin
9	322-13	1	Screw-HH 5/16-18 X 2 3/4	28	116-6358-03	2	Blade-Rotary
10	136-5903	1	Brake Arm ASM	29	121-2336	1	Spring-Flat
10:4	131-0819	2	Bushing-Sleeve	30	131-0823	1	Spacer-Brake
11	5-4460	2	Washer-Pivot	31	126-7151	2	Plug-Button
13	9114524	1	Bolt-HH 5/16-18 X 2 1/4 Tap	32	131-4504	1	Adapter-Bore
14	3256-3	4	Washer-5/16 Std	33	133-1964	1	Spacer
15	3296-29	2	Nut-Nyloc 5/16-18	34	32144-57	2	Screw-HWH 5/16-18 X 1 1/2 Tf
16	126-7890	1	Pulleys And Idler Kit				
17	126-6453	1	Bracket-Idler				

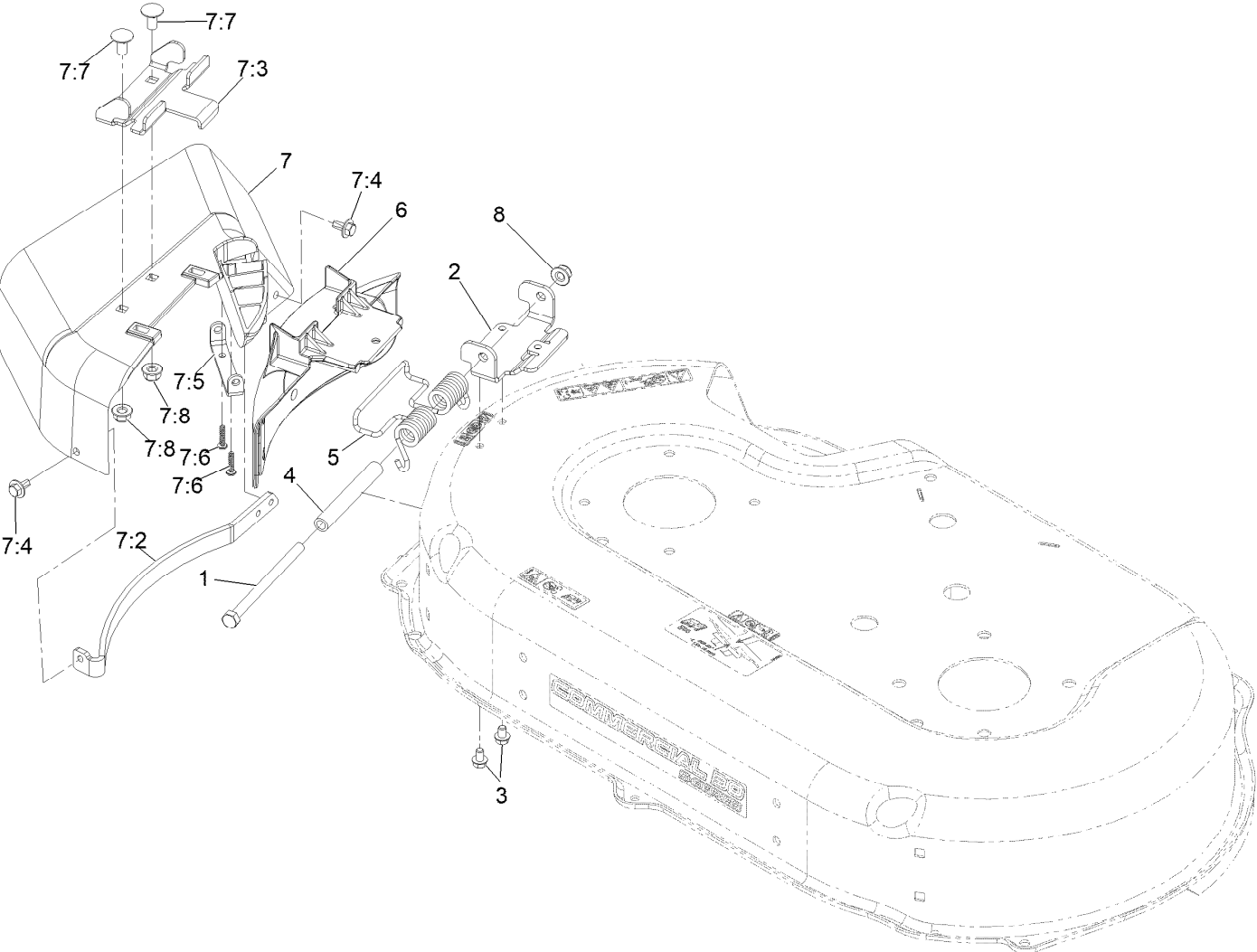
Pulleys and Idler Assembly No. 126-7890



Pulleys and Idler Assembly No. 126-7890 (continued)

<i>Ref.</i>	<i>Part Number</i>	<i>Qty.</i>	<i>Description</i>	<i>Ref.</i>	<i>Part Number</i>	<i>Qty.</i>	<i>Description</i>
1	126-5880	2	Pulley-Idler, Flat	6	126-6453	1	Bracket-Idler
2	126-7151	2	Plug-Button	7	120-7024	2	Screw-Shoulder, HWH
3	131-4504	1	Adapter-Bore	8	9114524	1	Bolt-TAP, HH
4	3256-3	3	Washer-Flat	9	3296-29	1	Nut-Lock, NI
5	32144-57	2	Screw-Thd Roll	10	121-2336	1	Spring-Flat

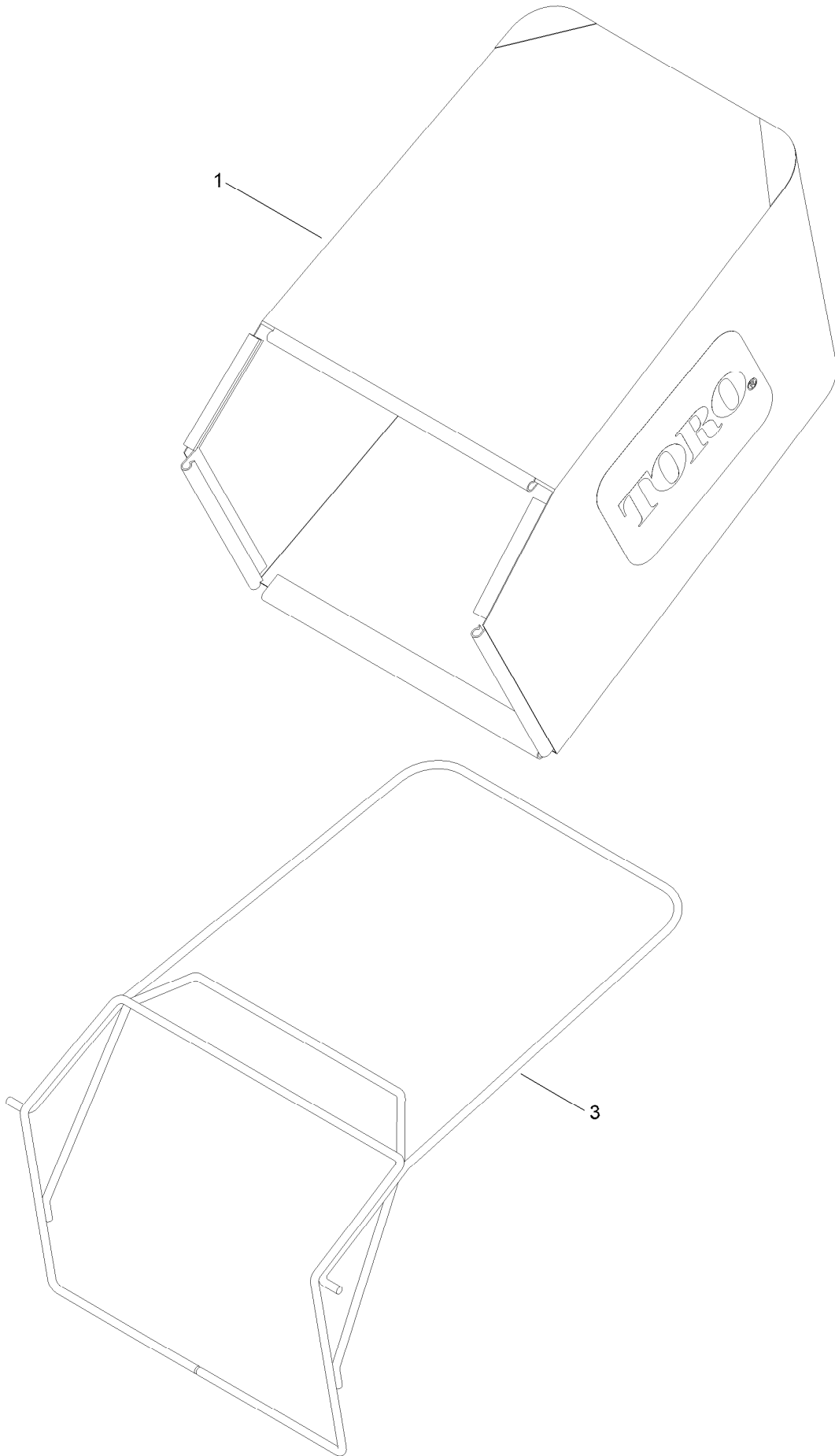
Side Discharge Chute Assembly



Side Discharge Chute Assembly (continued)

<i>Ref.</i>	<i>Part Number</i>	<i>Qty.</i>	<i>Description</i>	<i>Ref.</i>	<i>Part Number</i>	<i>Qty.</i>	<i>Description</i>
1	322-38	1	Screw-HH	7:3	121-9196	1	Bracket-Chute
2	121-9195	1	Hinge	7:4	46-8560	2	Screw-HHFTF
3	137-4795	2	Screw	7:5	112-6416	1	Bracket-Cover
4	125-2478	1	Spacer	7:6	94-4496	2	Screw-PPH
5	121-9193	1	Spring-Torsion	7:7	3230-18	2	Screw-CARR
6	125-5093-01	1	Cover-Discharge	7:8	104-8300	2	Nut-HF, NI
7	116-9754	1	Side Discharge Chute ASM	8	104-8300	1	Nut-HF, NI
7:2	116-9752-03	1	Guard-Chute				

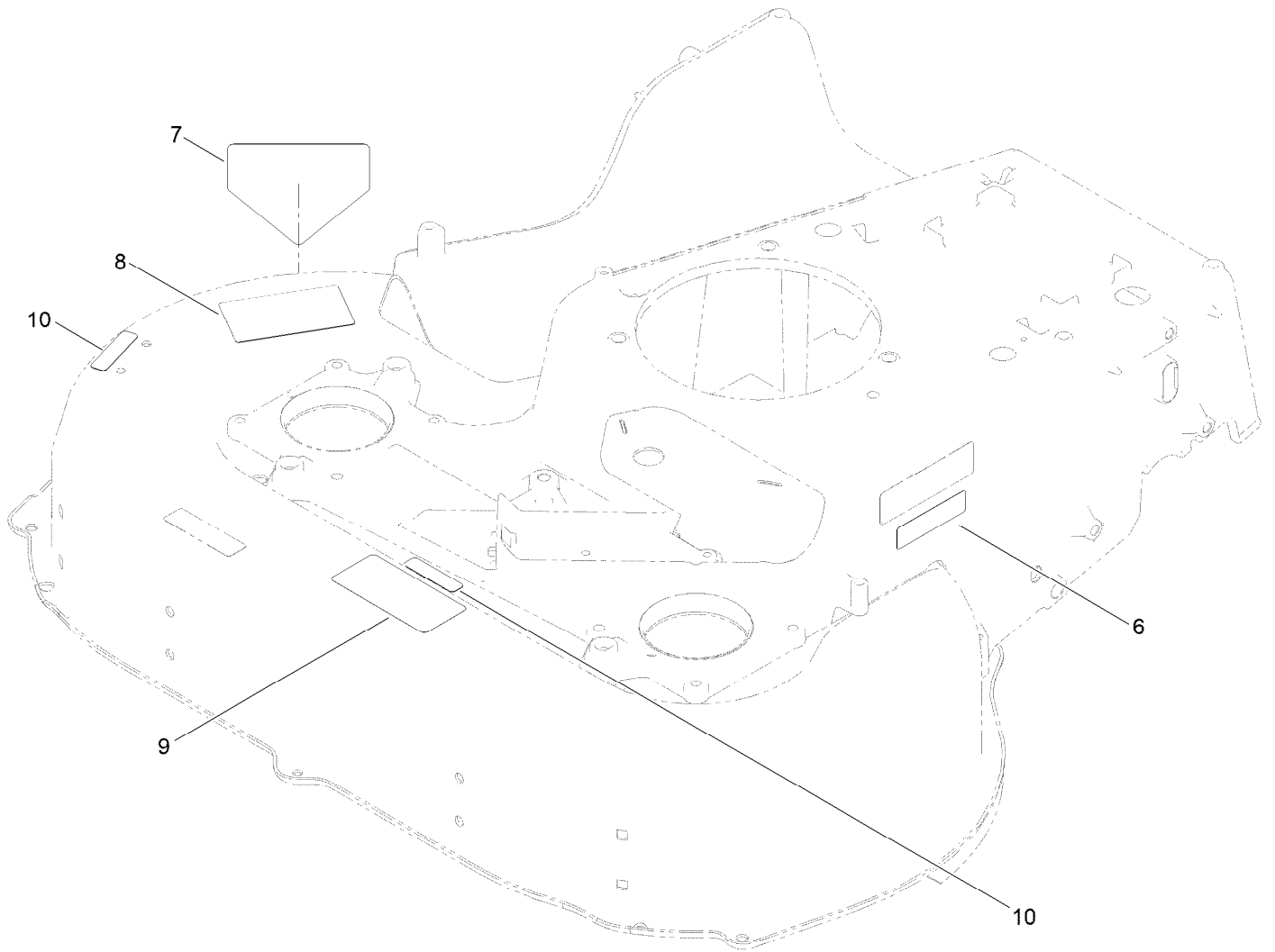
Grass Bag Assembly



Grass Bag Assembly (continued)

<i>Ref.</i>	<i>Part Number</i>	<i>Qty.</i>	<i>Description</i>
1	147-8627	1	Bag-Grass, ASM
3	116-5596-03	1	Frame-Bag

Deck Decal Assembly

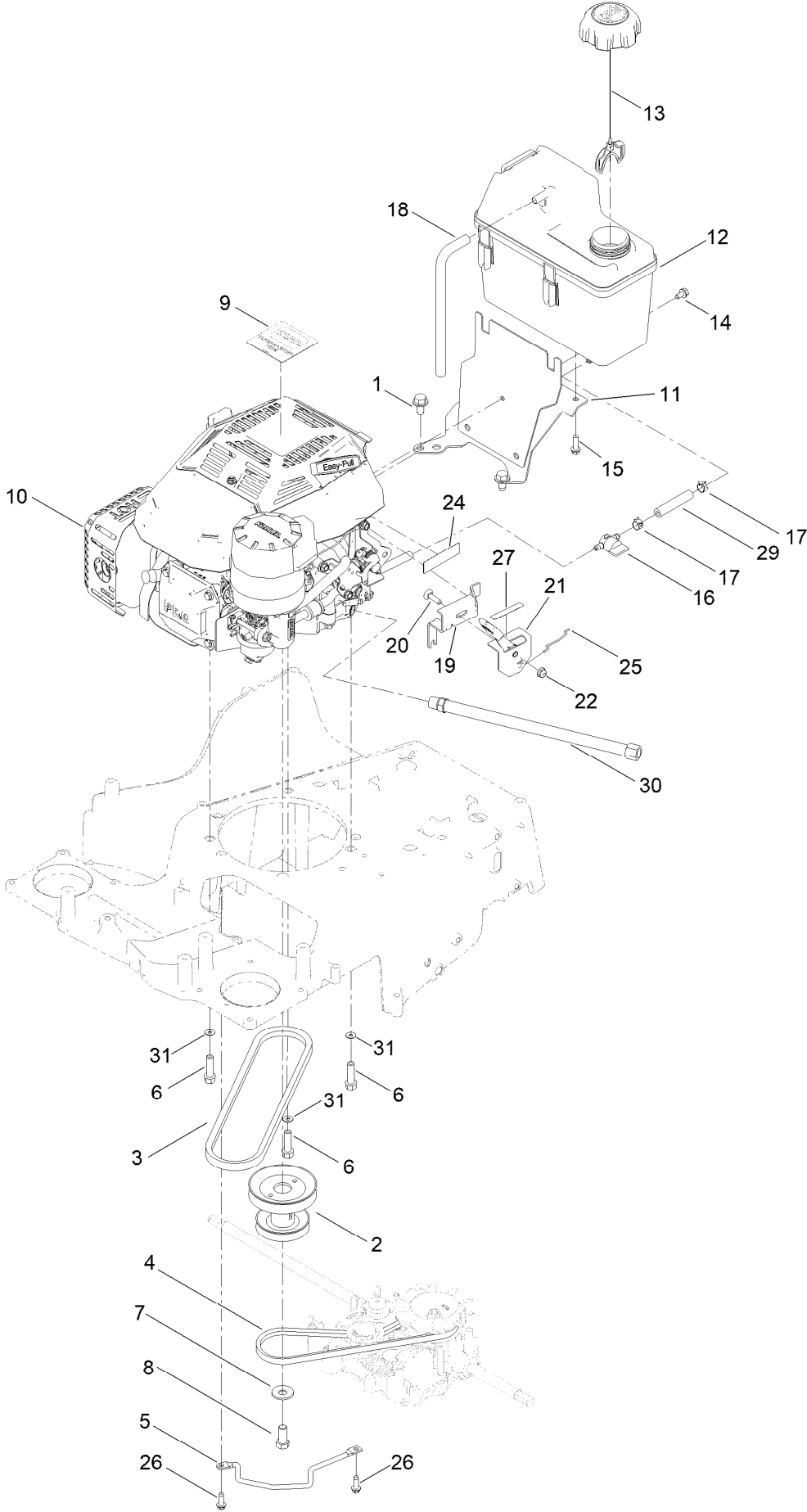


Deck Decal Assembly (continued)

<i>Ref.</i>	<i>Part Number</i>	<i>Qty.</i>	<i>Description</i>	<i>Ref.</i>	<i>Part Number</i>	<i>Qty.</i>	<i>Description</i>
6	133-8062	1	Decal-Spark Arrestor	9	116-8528	1	Decal
7	94-8072	1	Decal-Danger	10	120-9570	2	Decal-Warning
8	145-3851	1	Decal-Danger, CE	17	163-6016	1	Decal-Toro, 30 ●

● Not illustrated

Engine and Fuel Tank Assembly



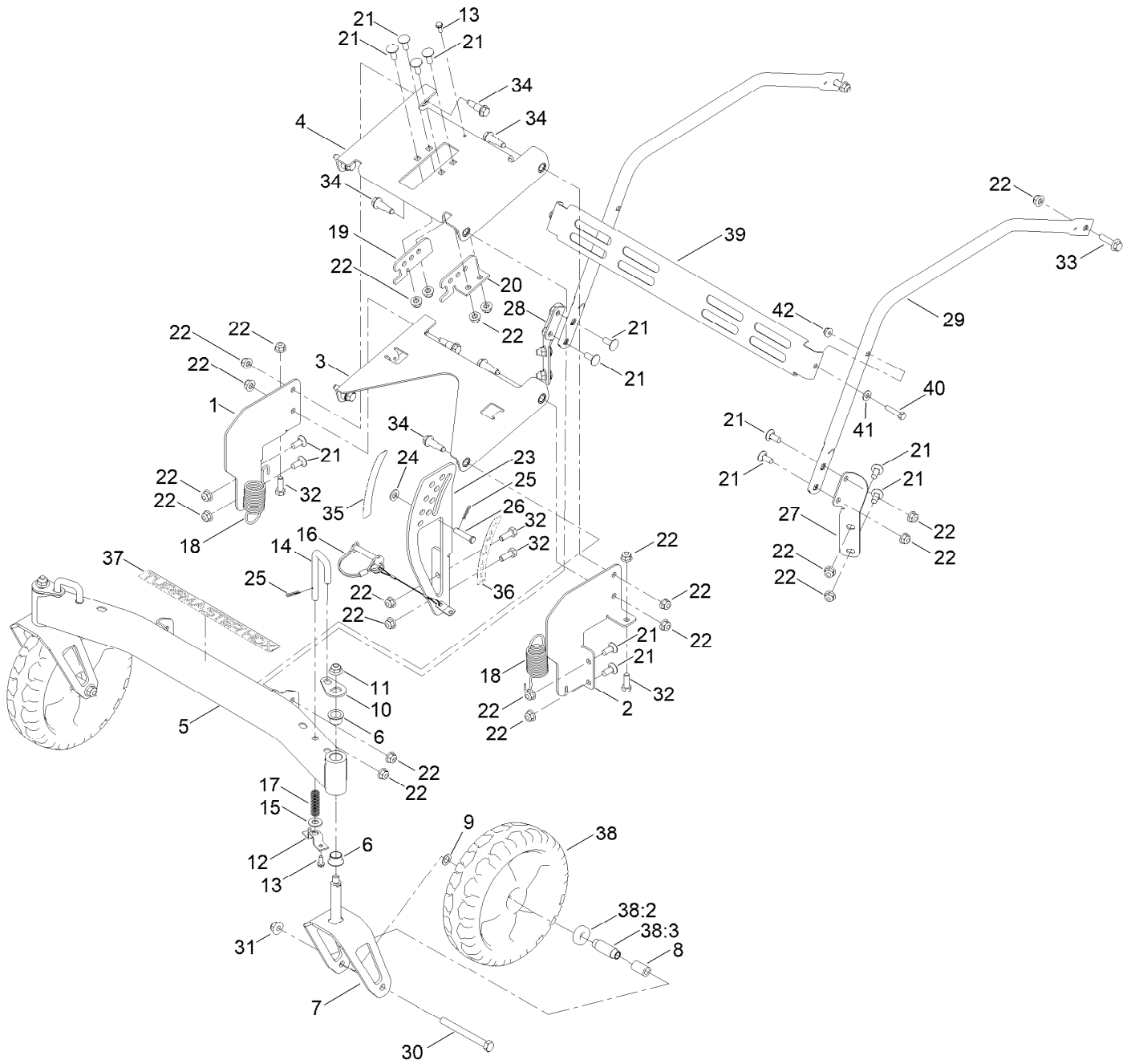
Engine and Fuel Tank Assembly (continued)

<i>Ref.</i>	<i>Part Number</i>	<i>Qty.</i>	<i>Description</i>	<i>Ref.</i>	<i>Part Number</i>	<i>Qty.</i>	<i>Description</i>
1	110-9380	2	Screw-HWH	16	1-603770	1	Valve-Fuel
2	137-9181	1	Pulley-Engine	17	2412-98	2	Clamp-Hose
3	121-5765	1	V-Belt	18	115-0962	1	Hose-Vent, Canister
4	133-8151	1	Belt-V	19	145-1504-03	1	Bracket-Throttle
5	138-5331-03	1	Rod-Guide, Belt	20	3229-30	1	Screw-CARR
6	95-1727	3	Screw-Taptite	21	130-9655	1	Control-Throttle
7	3290-465	1	Washer-Belleville	22	104-7201	1	Nut-HF, NI
8	3212-4	1	Screw-HH	24	116-9313	1	Decal-Warning, Engine
9	139-1807	1	Decal-Toro	25	138-5387	1	Wire-Link
10		1	Engine-Kohler ● ■	26	49-2040	2	Screw-HWHTF
11	137-9180-03	1	Tank Mount ASM	27	130-9656	1	Decal-Throttle, Choke
12	114-0280	1	Tank-Fuel	29	109-0304	1	Hose-Fuel
13	137-4127	1	Cap-Fuel	30	117-1261	1	Hose-Drain, Oil
14	116-8929	1	Screw-HWH Trs,Patch	31	145-3960	3	Washer-Lock
15	46-8091	2	Screw-HWH				

● Not serviced separately

■ Obtain parts from www.kohlerplus.com

Front Bumper and Wheel Assembly

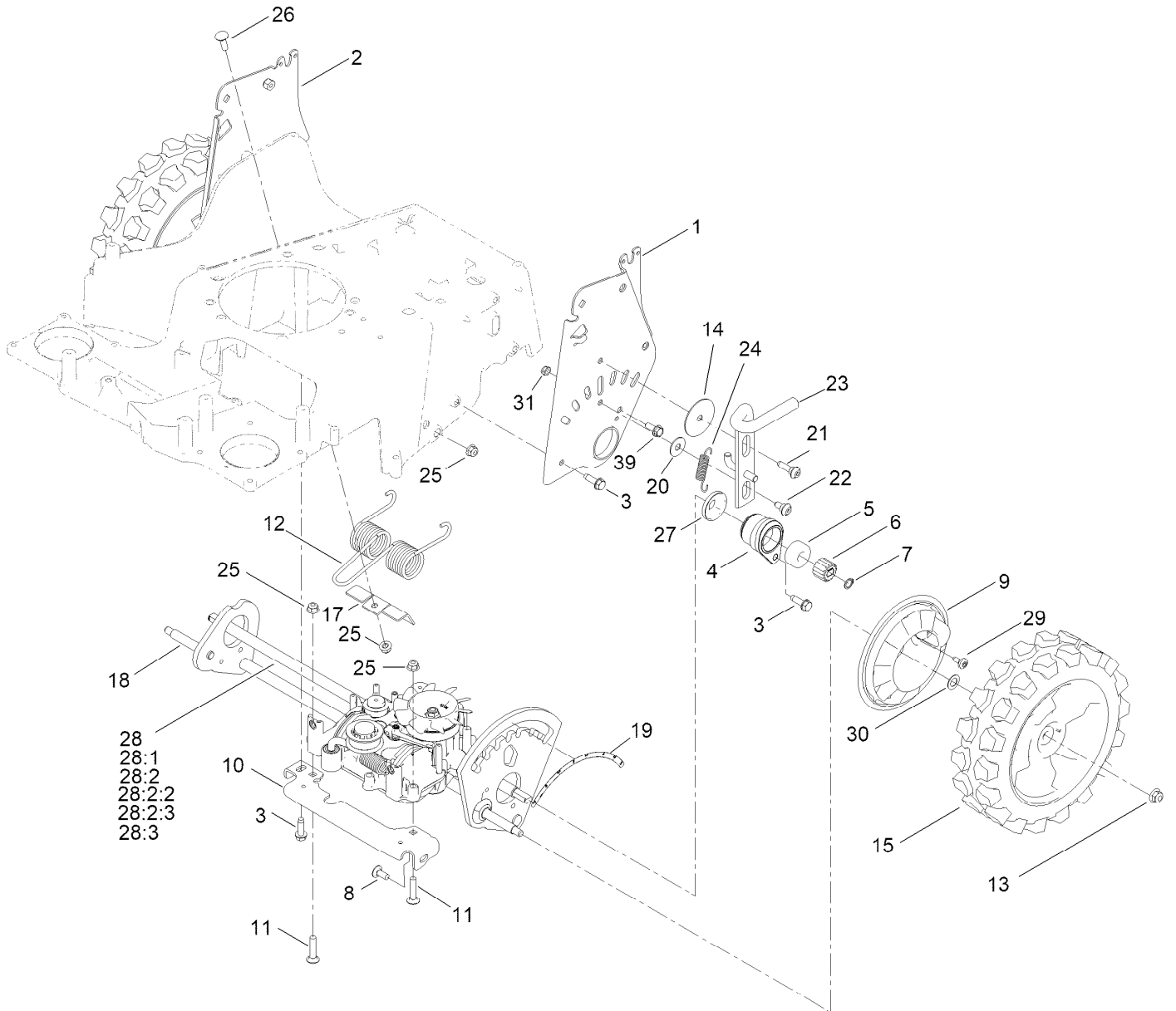


Front Bumper and Wheel Assembly (continued)

<i>Ref.</i>	<i>Part Number</i>	<i>Qty.</i>	<i>Description</i>	<i>Ref.</i>	<i>Part Number</i>	<i>Qty.</i>	<i>Description</i>
1	147-8672-01	1	Caster Deck Bracket	23	161-4820	1	HOC Plate
2	147-8673-01	1	Caster Deck Bracket	24	120-9683	1	Washer-Plain
3	161-8239-01	1	Link Plate ASM [red]	25	161-8241	3	Pin-Hair
4	161-8238-01	1	Link Plate ASM [red]	26	283-14	1	Pin-Clevis
5	147-8675-01	1	Front Axle	27	161-8180-01	1	Brace Bracket LH
6	161-8195	4	Bushing	28	161-8181-01	1	Brace Bracket RH
7	147-8671-01	2	Caster Fork	29	161-8182-03	2	Brace
8	80-7590	2	Spacer	30	323-42	2	Screw-HH
9	3256-46	2	Washer-Flat	31	104-8301	2	Nut-HF, NI
10	147-8695	2	Locking Plate	32	322-4	4	Screw-HH
11	119-4042	2	Nut-HF, NI	33	132-3837	2	Screw-HHF
12	161-3102	2	Caster Pin Bracket	34	132-4607	8	Bolt-Shoulder, Flange
13	139-1713	5	Screw-Thd Roll	35	161-8169	1	Decal-HOC
14	161-3101	2	Caster Lock Pin	36	161-8170	1	Decal-HOC
15	115-1166	2	Washer-Plain	37	161-8208	1	Decal-Turfmaster HDX
16	161-8328	1	Locking Pin W/Lanyard	38	133-2639	2	Wheel
17	161-4770	2	Spring-Compression, Pin	38:2	133-2603	2	Bearing-Ball
18	161-4779	2	Spring-Extension, HOC Assist	38:3	125-1077	1	Spacer
19	161-8185-01	1	HOC Position Plate RH	39	161-8325-03	1	Shield
20	161-8184-01	1	HOC Position Plate LH	40	321-8	2	Screw-HH
21	3230-23	16	Bolt-CARR	41	3256-22	2	Washer-Flat
22	104-8300	30	Nut-HF, NI	42	104-7201	2	Nut-HF, NI
				43	98-3206	1	Decal ●

● Not illustrated

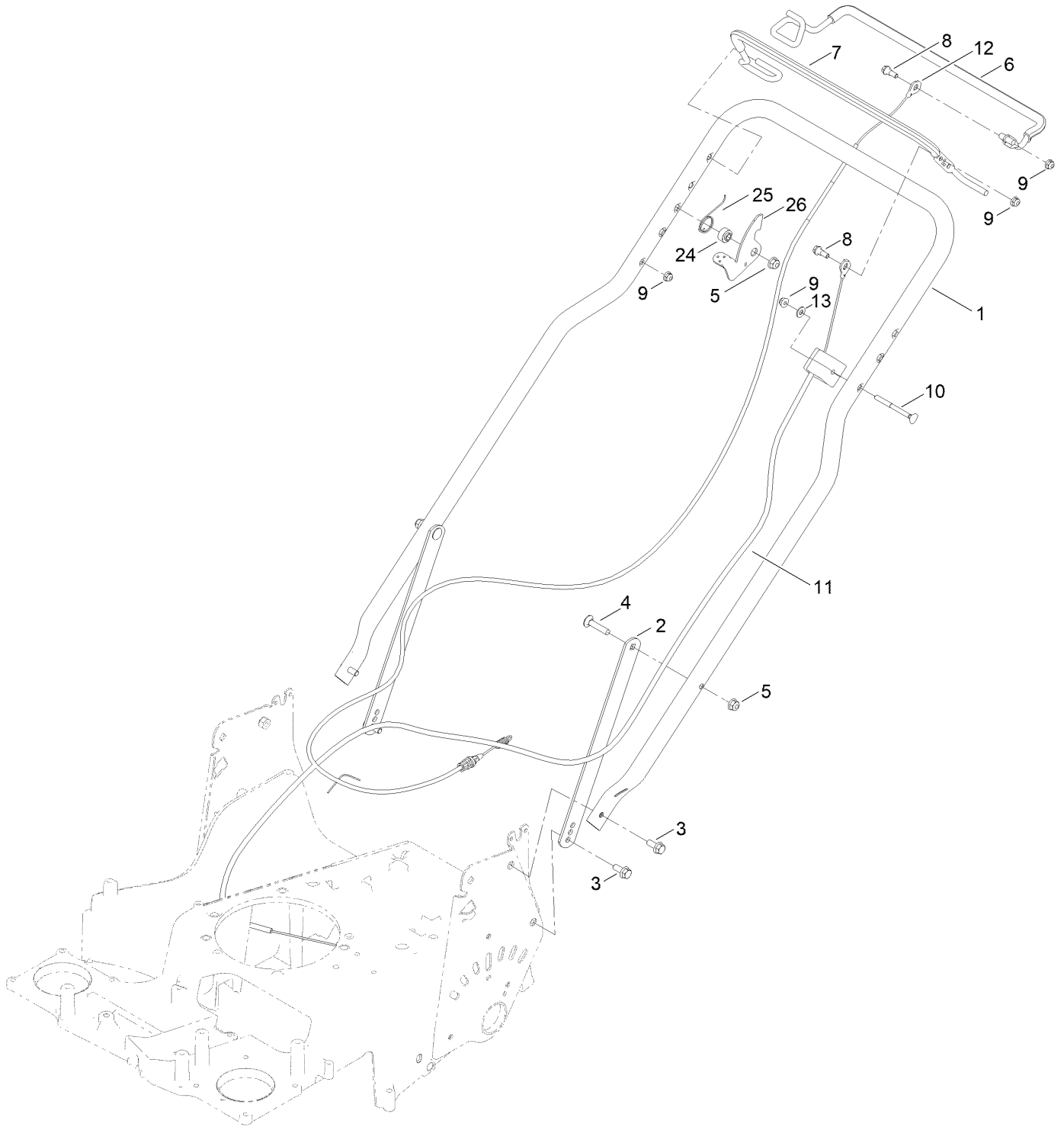
Traction and Height-of-Cut Assembly



Traction and Height-of-Cut Assembly (continued)

<i>Ref.</i>	<i>Part Number</i>	<i>Qty.</i>	<i>Description</i>	<i>Ref.</i>	<i>Part Number</i>	<i>Qty.</i>	<i>Description</i>
1	137-9172-03	1	HOC Plate Assembly	20	52-2860	1	Washer
2	137-9173-03	1	HOC Plate Assembly	21	119-2267	1	Screw-Shoulder, BHTF
3	701243	7	Screw-Thd Roll, HWH	22	120-9471	1	Bolt-Shoulder
4	137-9183	2	Bearing Retainer ASM	23	139-1737	1	Lock-Height, Adj
5	137-4779	4	Bearing-Ball, Custom	24	138-5393	1	Spring-Extension
6	136-9111	2	Gear-Pinion, 15T	25	104-8300	4	Nut-HF, NI
7	32151-61	2	Ring-Retaining	26	3230-2	1	Bolt-CARR
8	3230-23	1	Bolt-CARR	27	137-9185	2	Cover-Bearing
9	136-7095	2	Cover-Wheel	28	133-2670	1	Transmission-Mv702
10	133-8104-03	1	Bracket-Transmission, Front	28:1	139-1837	1	Pulley & Fan Repair Kit
11	3230-4	2	Screw-CARR	28:2	139-1842	1	Idler Pulley Repair Kit
12	121-2368	1	Spring-Torsion	28:2:2	139-1844	1	Pulley-Idler
13	104-8301	2	Nut-HF, NI	28:2:3	139-1845	1	Spring-Tension, Belt
14	125-2540	1	Washer-Plain	28:3	139-8974	1	Clutch Lever Repair Kit
15	137-9174	2	10.5 In. Wheel ASM	29	120-7950	2	Screw-Torx
17	121-2397	1	Bracket	30	36-4780	2	Washer-Plain
18	139-8967	1	Rear Axle ASM	31	3296-47	1	Nut-Lock,NI
19	116-7127	1	Decal-HOC, Rear	39	609471	1	Screw

Handle Assembly



Handle Assembly (continued)

<i>Ref.</i>	<i>Part Number</i>	<i>Qty.</i>	<i>Description</i>	<i>Ref.</i>	<i>Part Number</i>	<i>Qty.</i>	<i>Description</i>
1	147-0540-03	1	Handle	10	140-3985	1	Screw-Handle
2	116-8208-03	2	Support-Handle	11	137-4759	1	Cable-BBC
3	116-7230	4	Screw-HHF	12	137-4807	1	Cable-Traction
4	3230-4	2	Screw-CARR	13	3256-1	1	Washer-Flat
5	104-8300	3	Nut-HF, NI	24	116-2690	1	Bushing-Stepped
6	139-1815	1	Bail-Traction, Coated	25	109-9318	1	Spring-Lever, BBC
7	137-4810	1	Bail-BBC, Coated	26	116-2998	1	Lever-BBC
8	42-3560	2	Bolt-Shoulder	99	614249	4	Tie-Cable ●
9	104-7201	3	Nut-HF, NI				

● Not illustrated

Attachments and Accessories

For 22236 — 30in TurfMaster HDX Walk-Behind Lawn Mower

Product Name	Model/Part
Atomic Blade 15.4in.....	120-9500-03
Mulching Kit.....	125-5064
Idler Pulley Kit.....	126-7890

Notes:

Notes:

Notes:



Count on it.