



Count on it.

Parts Catalog

**30in TurfMaster® HDX
Walk-Behind Lawn Mower**

Model No. 22225—Serial No. 410200000 and Up



Ordering Replacement Parts

To order replacement parts, please supply the part number, the quantity, and the description of each part desired.

Understanding Reference Numbers

Each identified part in an illustration has a reference number. The reference number for a part also appears in the parts list, along with other information about the part.

This catalog uses two special reference number formats, one to indicate parts in a service assembly and another to indicate the quantity of a given part in an illustration.

Service Assembly Reference Numbers

Parts in service assemblies have reference numbers in the form a:b. The a represents the reference number of the entire service assembly and the b represents a sequential number unique to each part within the service assembly.

For example, a wheel assembly might be identified by reference number 6, the tire by 6:1, the valve by 6:2, and the wheel by 6:3. When you order the assembly identified by reference number 6, you receive all parts identified by reference numbers 6:1, 6:2, and 6:3. However, you may also order any part individually. Reference numbers of this type appear in illustration and in parts lists.

Reference Numbers Indicating Quantity

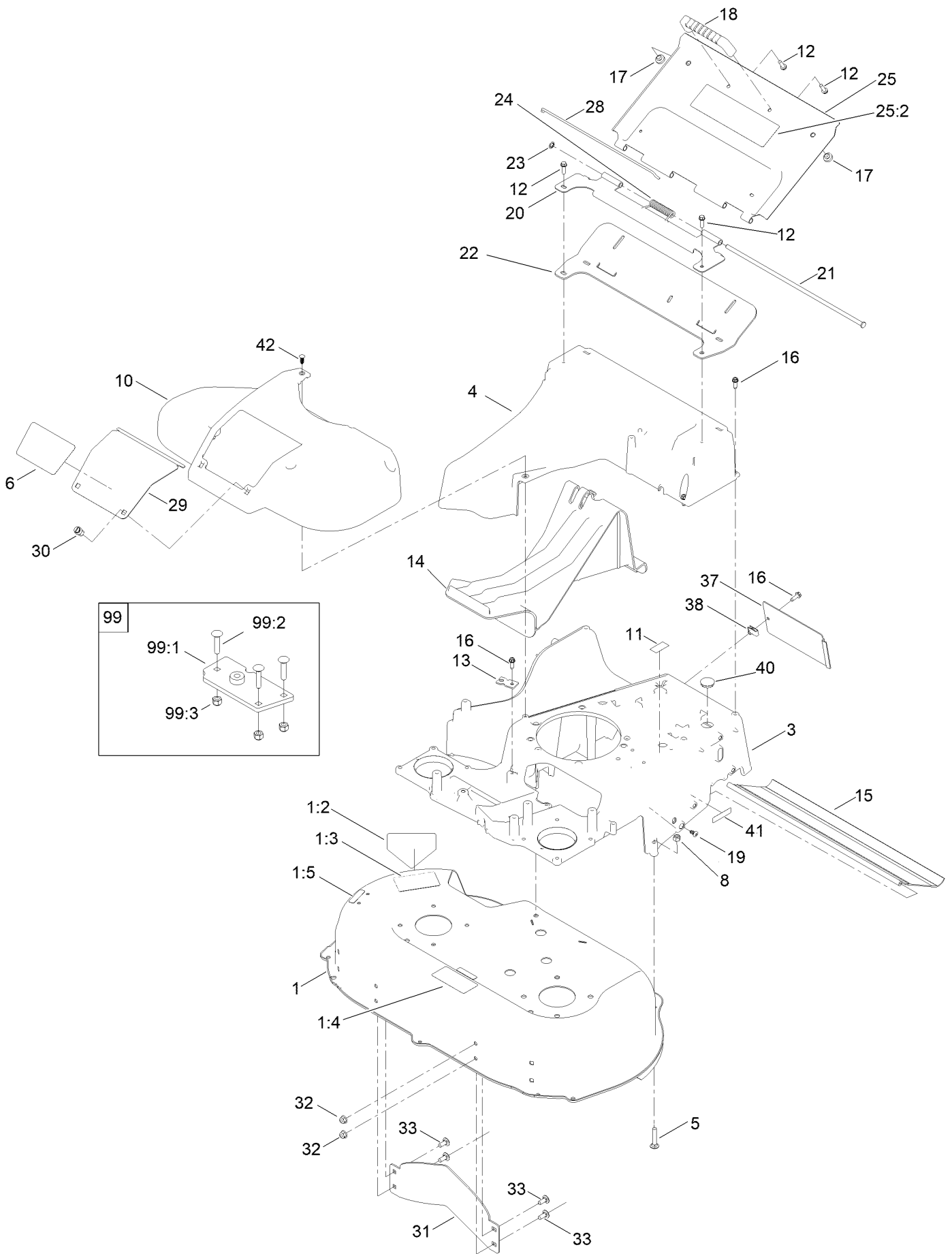
In an illustration, if a reference number indicates more than one part, the reference number has the form nX y. The n represents the quantity of the part, the X is the multiplication symbol, and the y represents the reference number.

For example, in an illustration, the reference number 2X 37 means that two of the parts identified by reference number 37 are indicated.

Contents

Deck, Frame and Chute Assembly	4
Spindle and Blade Assembly	6
Pulleys and Idler Assembly No. 126-7890	8
Side Discharge Chute Assembly	10
Grass Bag Assembly	12
Engine and Fuel Tank Assembly	14
Front Bumper and Wheel Assembly	16
Traction and Height-of-Cut Assembly	18
Handle Assembly	20
Attachments and Accessories	22

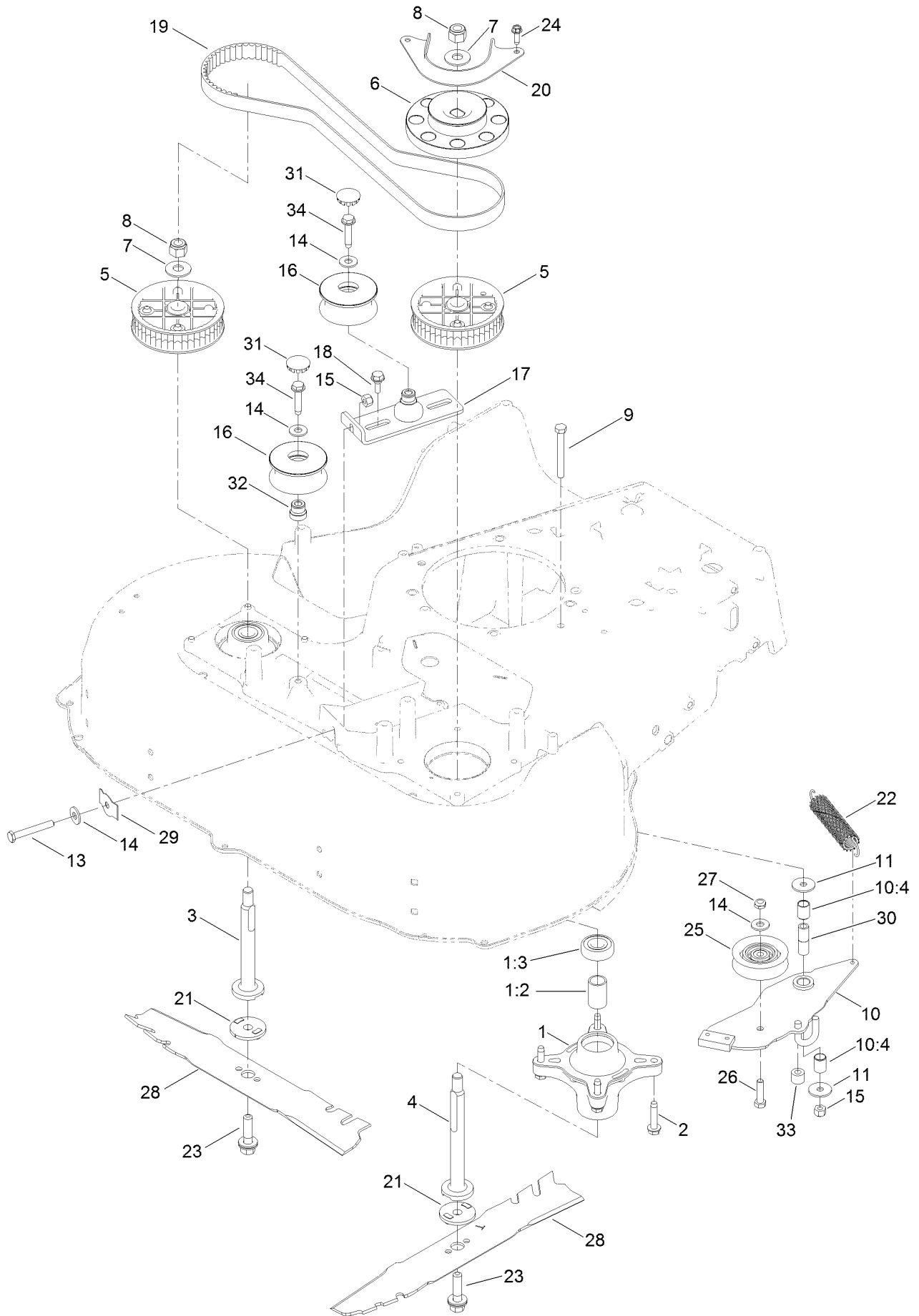
Deck, Frame and Chute Assembly



Deck, Frame and Chute Assembly (continued)

<i>Ref.</i>	<i>Part Number</i>	<i>Qty.</i>	<i>Description</i>	<i>Ref.</i>	<i>Part Number</i>	<i>Qty.</i>	<i>Description</i>
1	136-5900	1	Deck ASM	21	116-6933	1	Pin-Hinge
1:2	94-8072	1	Decal-Danger	22	116-6229	1	Seal-Door
1:3	145-3851	1	Decal-Danger, CE	23	32151-72	1	Ring-Retaining
1:4	116-8528	1	Decal	24	116-7573	1	Spring-Torsion, Cover
1:5	120-9570	2	Decal-Warning	25	116-8355	1	Rear Door ASM
3	133-8107-01	1	*obs* Frame	25:2	116-7583	1	Decal-Warning
4	133-8177	1	Chute	28	116-6966	1	Clip-Seal
5	3230-5	2	Bolt-CARR	29	121-5793-03	1	Door-Access
6	139-1674	1	Decal	30	121-5840	2	Fastener
8	3296-29	2	Nut-Lock, NI	31	130-2352-01	1	Baffle-Control
10	139-5406	1	Cover-Belt	32	104-8300	4	Nut-HF, NI
11	126-4345	1	Decal-Patent	33	3230-23	4	Bolt-CARR
12	46-8091	4	Screw-HWH	37	138-5332-01	1	Cover-Frame
13	138-3224	1	Bracket-Cable, Traction	38	107069	1	Clip
14	120-5225	1	Plug-Mulch	40	126-7151	1	Plug-Button
15	121-5841	1	Shield-Trailing	41	133-8062	1	Decal-Spark Arrestor
16	49-2040	9	Screw-HWHTF	42	140-1341	1	Clip-Xmas Tree
17	1-513658	2	Bumper	99	125-5072	1	Frame Plate Kit
18	65-5100	1	Handle-Door	99:1	125-2542	1	Plate-Frame
19	117-1092	2	Screw-PTH	99:2	3229-3	3	Screw-CARR
20	116-6351-03	1	Bracket-Hinge	99:3	3296-42	3	Nut-Lock, NI

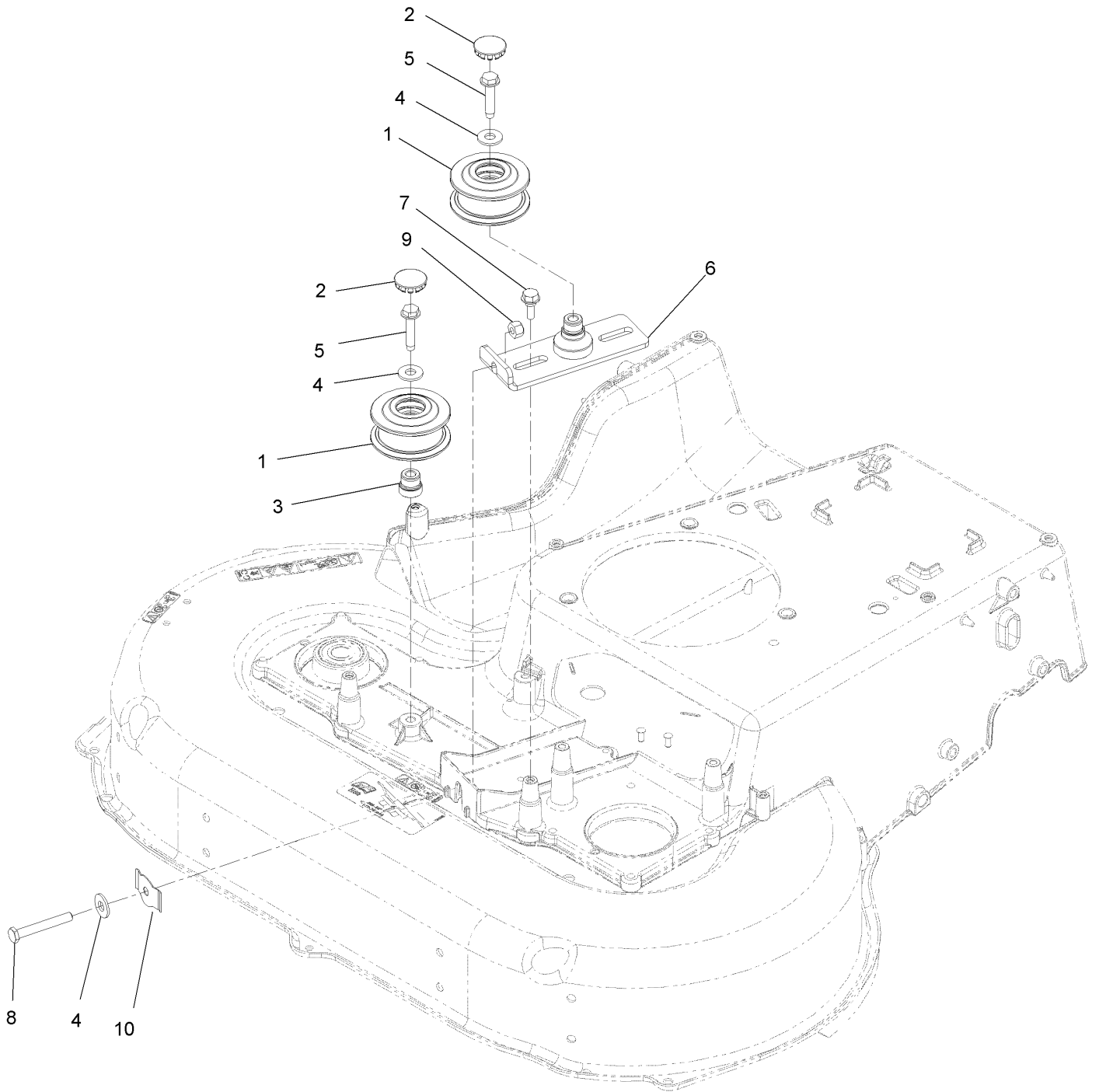
Spindle and Blade Assembly



Spindle and Blade Assembly (continued)

<i>Ref.</i>	<i>Part Number</i>	<i>Qty.</i>	<i>Description</i>	<i>Ref.</i>	<i>Part Number</i>	<i>Qty.</i>	<i>Description</i>
1	121-9107	2	Spindle ASM	17	126-6453	1	Bracket-Idler
1:2	120-7935	2	Spacer	18	120-7024	2	Screw-Shoulder, HWH
1:3	136-5441	2	Bearing-Ball	19	120-3335	1	Belt-Synchronous
2	139-1731	8	Screw-Thd Roll, HWH	20	120-5245-03	1	Guide-Belt, Spindle
3	139-6612	1	Shaft-Spindle	21	120-5236	2	Adapter-Blade
4	139-6613	1	Shaft-Spindle	22	121-5808	1	Spring-Extension, Brake
5	121-9100	2	Sprocket	23	125-2466	2	Bolt-Blade
6	130-6664	1	Pulley-Brake, Spindle	24	49-2040	2	Screw-HWHTF
7	109-9505	2	Washer-Spring	25	120-7082	1	Pulley-Idler
8	3296-19	2	Nut-Hex	26	322-6	1	Screw-HH
9	322-13	1	Screw-HH	27	3296-47	1	Nut-Lock,NI
10	136-5903	1	Brake Arm ASM	28	116-6358-03	2	Blade-Rotary
10:4	131-0819	2	Bushing-Sleeve	29	121-2336	1	Spring-Flat
11	5-4460	2	Washer-Pivot	30	131-0823	1	Spacer-Brake
13	9114524	1	Bolt-TAP, HH	31	126-7151	2	Plug-Button
14	3256-3	4	Washer-Flat	32	131-4504	1	Adapter-Bore
15	3296-29	2	Nut-Lock, NI	33	133-1964	1	Spacer
16	126-7890	1	Pulleys And Idler Kit	34	32144-57	2	Screw-Thd Roll

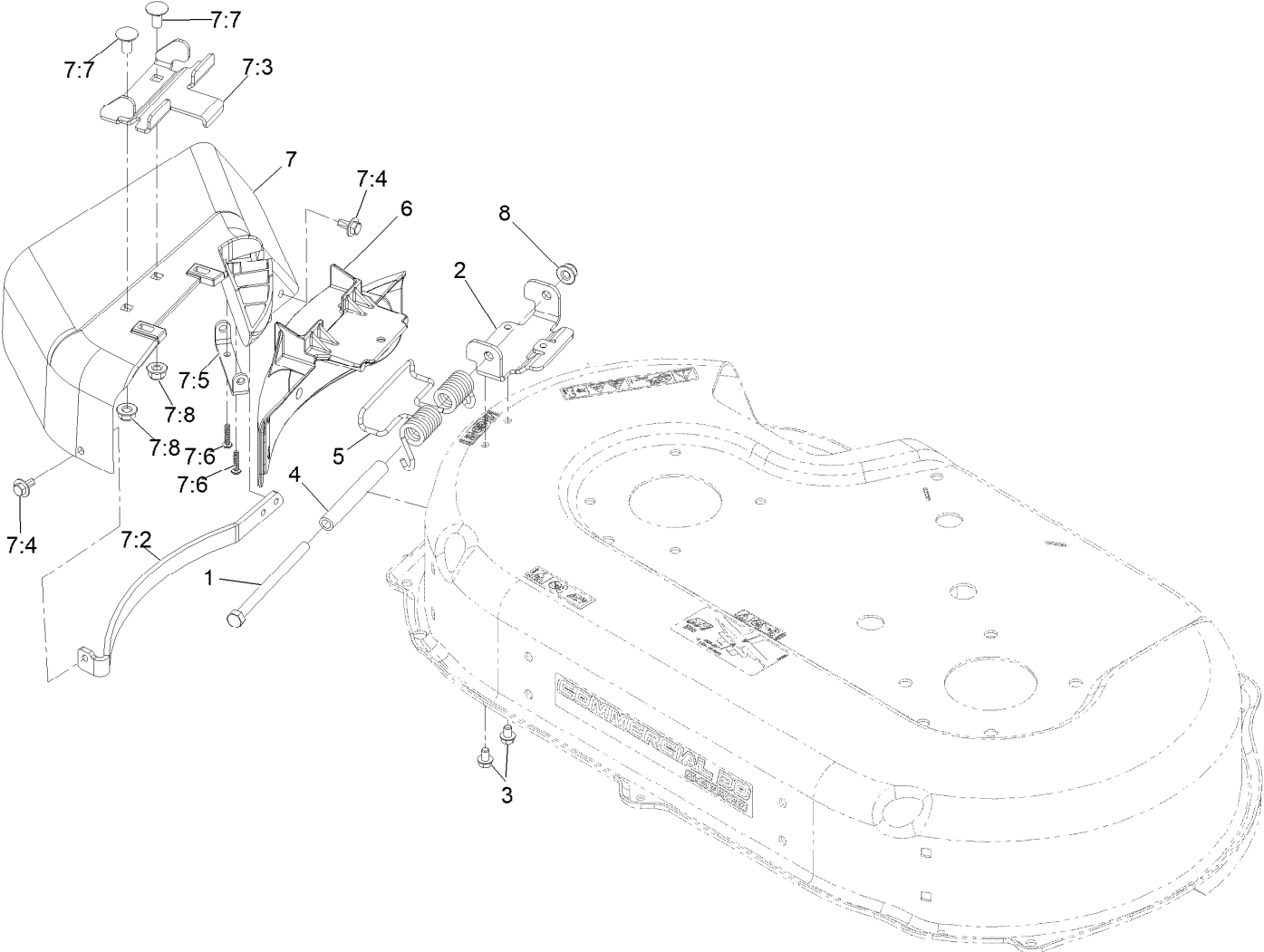
Pulleys and Idler Assembly No. 126-7890



Pulleys and Idler Assembly No. 126-7890 (continued)

<i>Ref.</i>	<i>Part Number</i>	<i>Qty.</i>	<i>Description</i>	<i>Ref.</i>	<i>Part Number</i>	<i>Qty.</i>	<i>Description</i>
1	126-5880	2	Pulley-Idler, Flat	6	126-6453	1	Bracket-Idler
2	126-7151	2	Plug-Button	7	120-7024	2	Screw-Shoulder, HWH
3	131-4504	1	Adapter-Bore	8	9114524	1	Bolt-TAP, HH
4	3256-3	3	Washer-Flat	9	3296-29	1	Nut-Lock, NI
5	32144-57	2	Screw-Thd Roll	10	121-2336	1	Spring-Flat

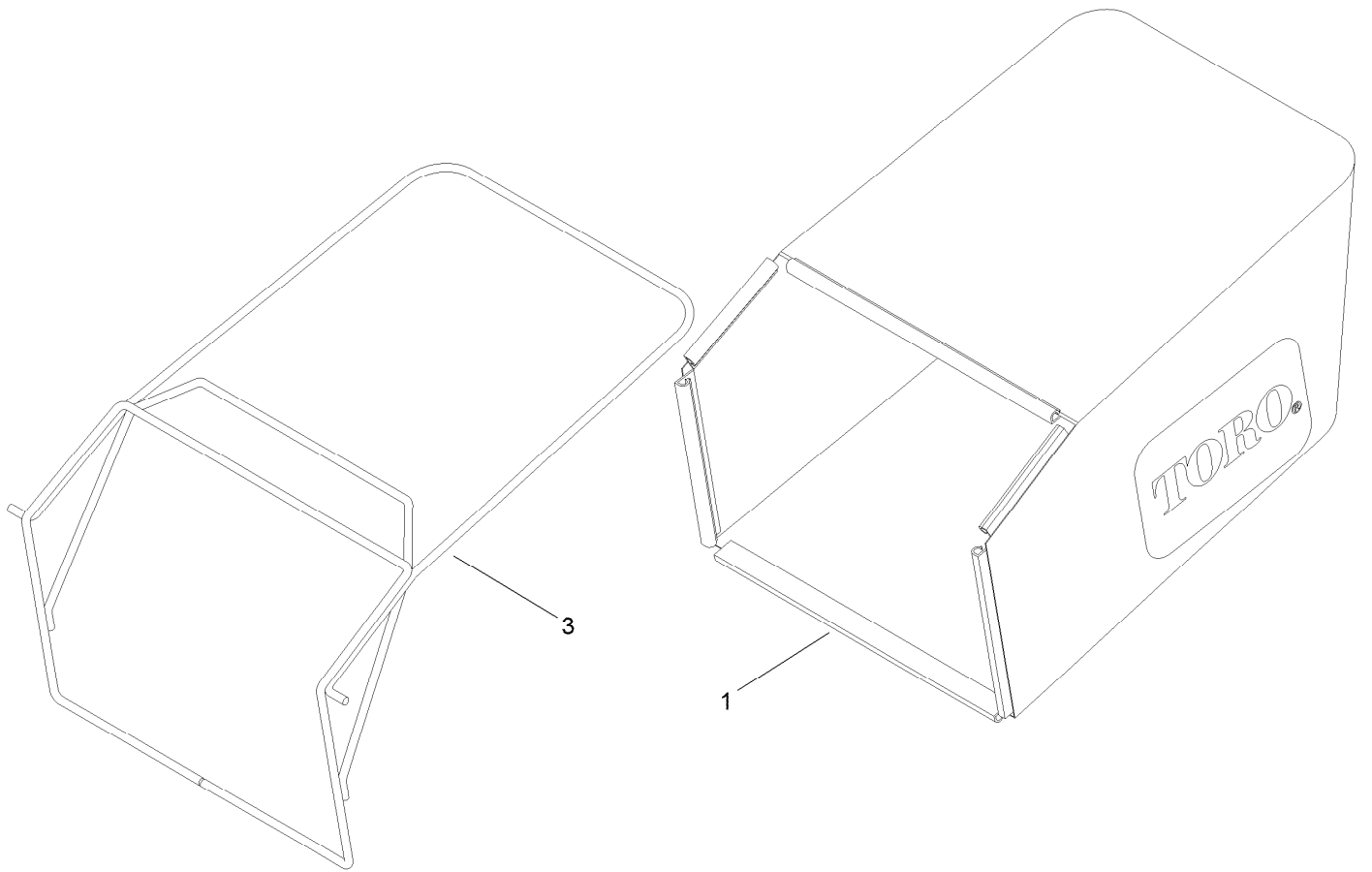
Side Discharge Chute Assembly



Side Discharge Chute Assembly (continued)

<i>Ref.</i>	<i>Part Number</i>	<i>Qty.</i>	<i>Description</i>	<i>Ref.</i>	<i>Part Number</i>	<i>Qty.</i>	<i>Description</i>
1	322-38	1	Screw-HH	7:3	121-9196	1	Bracket-Chute
2	121-9195	1	Hinge	7:4	46-8560	2	Screw-HHFTF
3	137-4795	2	Screw	7:5	112-6416	1	Bracket-Cover
4	125-2478	1	Spacer	7:6	94-4496	2	Screw-PPH
5	121-9193	1	Spring-Torsion	7:7	3230-18	2	Screw-CARR
6	125-5093-01	1	Cover-Discharge	7:8	104-8300	2	Nut-HF, NI
7	116-9754	1	Side Discharge Chute ASM	8	104-8300	1	Nut-HF, NI
7:2	116-9752-03	1	Guard-Chute				

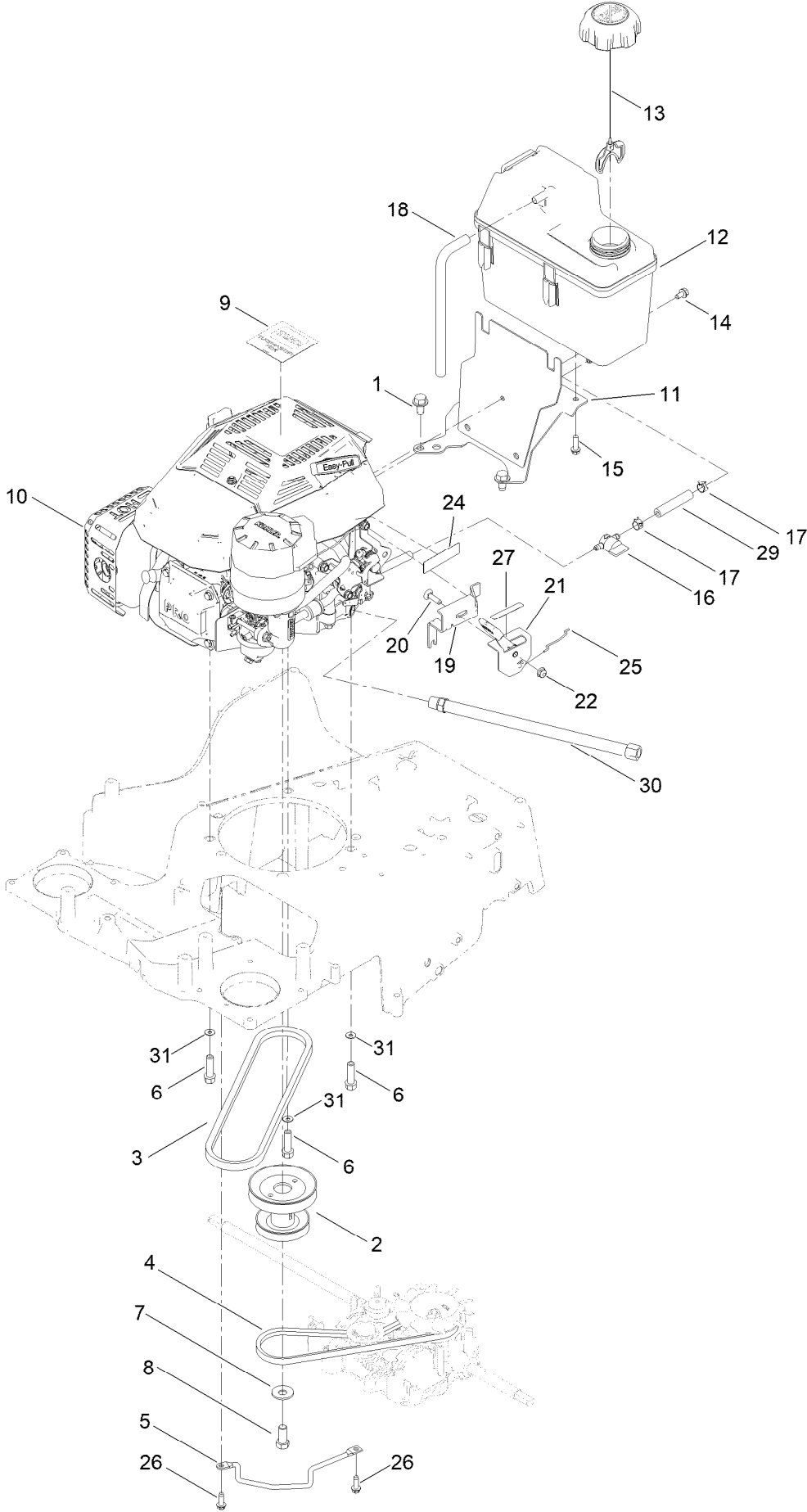
Grass Bag Assembly



Grass Bag Assembly (continued)

<i>Ref.</i>	<i>Part Number</i>	<i>Qty.</i>	<i>Description</i>
1	121-5775	1	Grass Bag ASM
3	116-5596-03	1	Frame-Bag

Engine and Fuel Tank Assembly



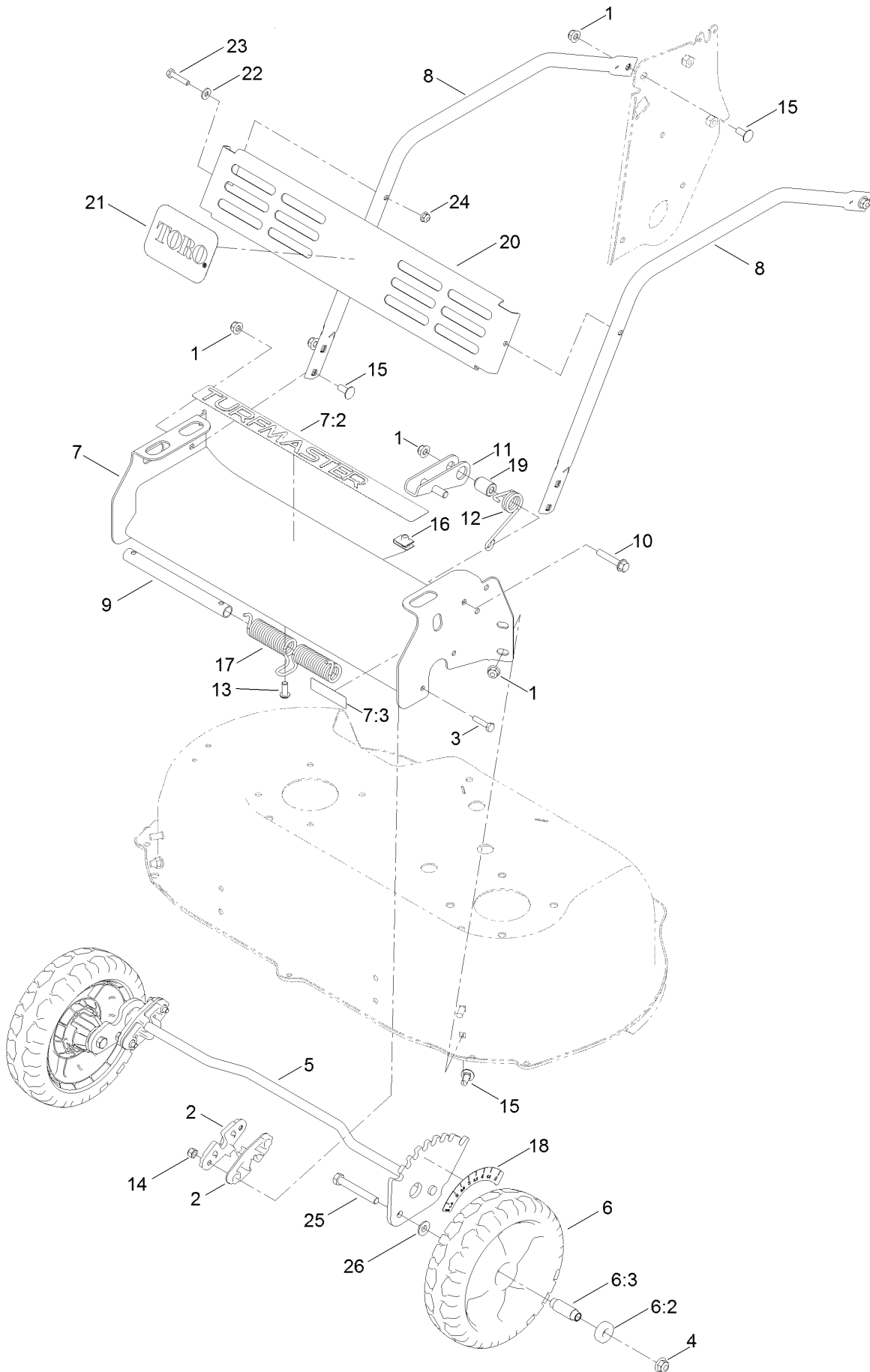
Engine and Fuel Tank Assembly (continued)

<i>Ref.</i>	<i>Part Number</i>	<i>Qty.</i>	<i>Description</i>	<i>Ref.</i>	<i>Part Number</i>	<i>Qty.</i>	<i>Description</i>
1	110-9380	2	Screw-HWH	16	1-603770	1	Valve-Fuel
2	137-9181	1	Pulley-Engine	17	2412-98	2	Clamp-Hose
3	121-5765	1	V-Belt	18	115-0962	1	Hose-Vent, Canister
4	133-8151	1	Belt-V	19	145-1504-03	1	Bracket-Throttle
5	138-5331-03	1	Rod-Guide, Belt	20	3229-30	1	Screw-CARR
6	95-1727	3	Screw-Taptite	21	130-9655	1	Control-Throttle
7	3290-465	1	Washer-Belleville	22	104-7201	1	Nut-HF, NI
8	3212-4	1	Screw-HH	24	116-9313	1	Decal-Warning, Engine
9	139-1807	1	Decal-Toro	25	138-5387	1	Wire-Link
10		1	Engine-Kohler ● ■	26	49-2040	2	Screw-HWHTF
11	137-9180-03	1	Tank Mount ASM	27	130-9656	1	Decal-Throttle, Choke
12	114-0280	1	Tank-Fuel	29	109-0304	1	Hose-Fuel
13	137-4127	1	Cap-Fuel	30	117-1261	1	Hose-Drain, Oil
14	116-8929	1	Screw-HWH Trs,Patch	31	145-3960	3	Washer-Lock
15	46-8091	2	Screw-HWH				

● Not serviced separately

■ Obtain parts from www.kohlerplus.com

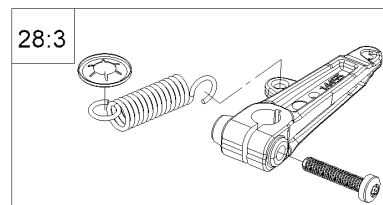
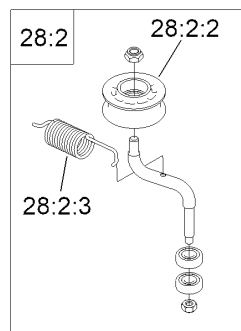
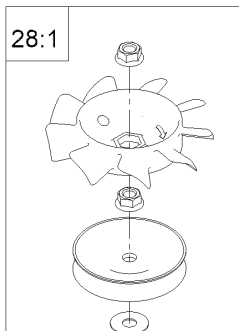
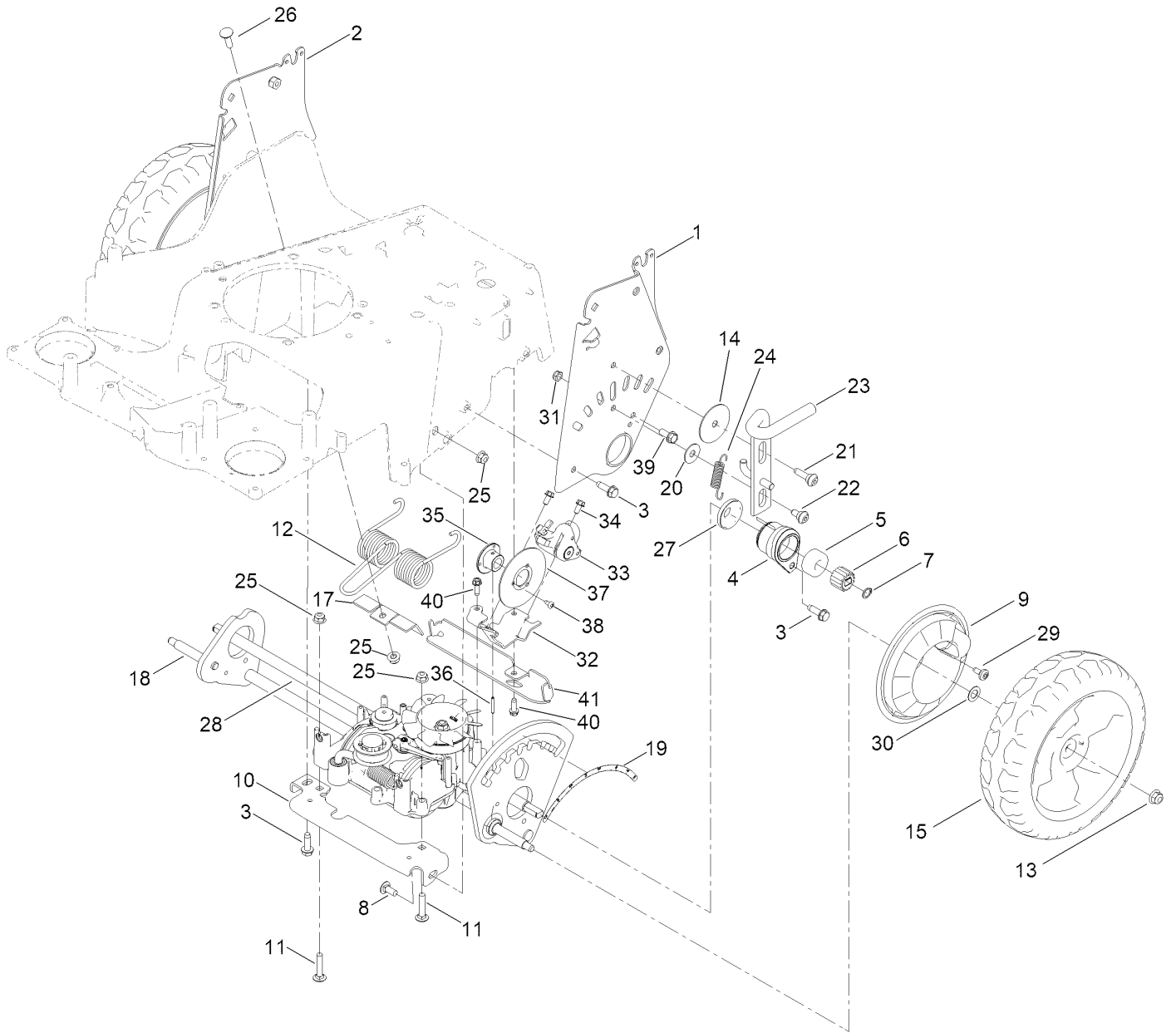
Front Bumper and Wheel Assembly



Front Bumper and Wheel Assembly (continued)

<i>Ref.</i>	<i>Part Number</i>	<i>Qty.</i>	<i>Description</i>	<i>Ref.</i>	<i>Part Number</i>	<i>Qty.</i>	<i>Description</i>
1	104-8300	11	Nut-HF, NI	12	120-9465	1	Spring-Torsion
2	121-5781	4	Bushing-Front	13	3274-55	1	Screw-HSBH
3	321-7	4	Screw-HH	14	3296-42	4	Nut-Lock, NI
4	104-8301	2	Nut-HF, NI	15	3230-23	10	Bolt-CARR
5	139-8968	1	Front Axle ASM	16	94-2413	1	Nut-U
6	133-2639	2	Wheel	17	121-2337	1	Spring-Torsion
6:2	133-2603	2	Bearing-Ball	18	136-9077	1	Decal-HOC, Front
6:3	125-1077	1	Spacer	19	125-2486	1	Spacer
7	139-6616	1	Front Bumper ASM	20	121-9187-03	1	Shield
7:2	139-1675	1	Decal-Turfmaster HDX	21	117-0871	1	Decal
7:3	116-7581	1	Decal-Warning	22	3256-22	2	Washer-Flat
8	121-9168-03	2	Brace	23	321-8	2	Screw-HH
9	131-9690	1	Mandrell-Spring	24	104-7201	2	Nut-HF, NI
10	94-5780	1	Screw-HWH	25	323-13	2	Screw-HH
11	139-1744	1	Lock-Height, Adj	26	74-1671	2	Spacer-Cover, Wheel

Traction and Height-of-Cut Assembly

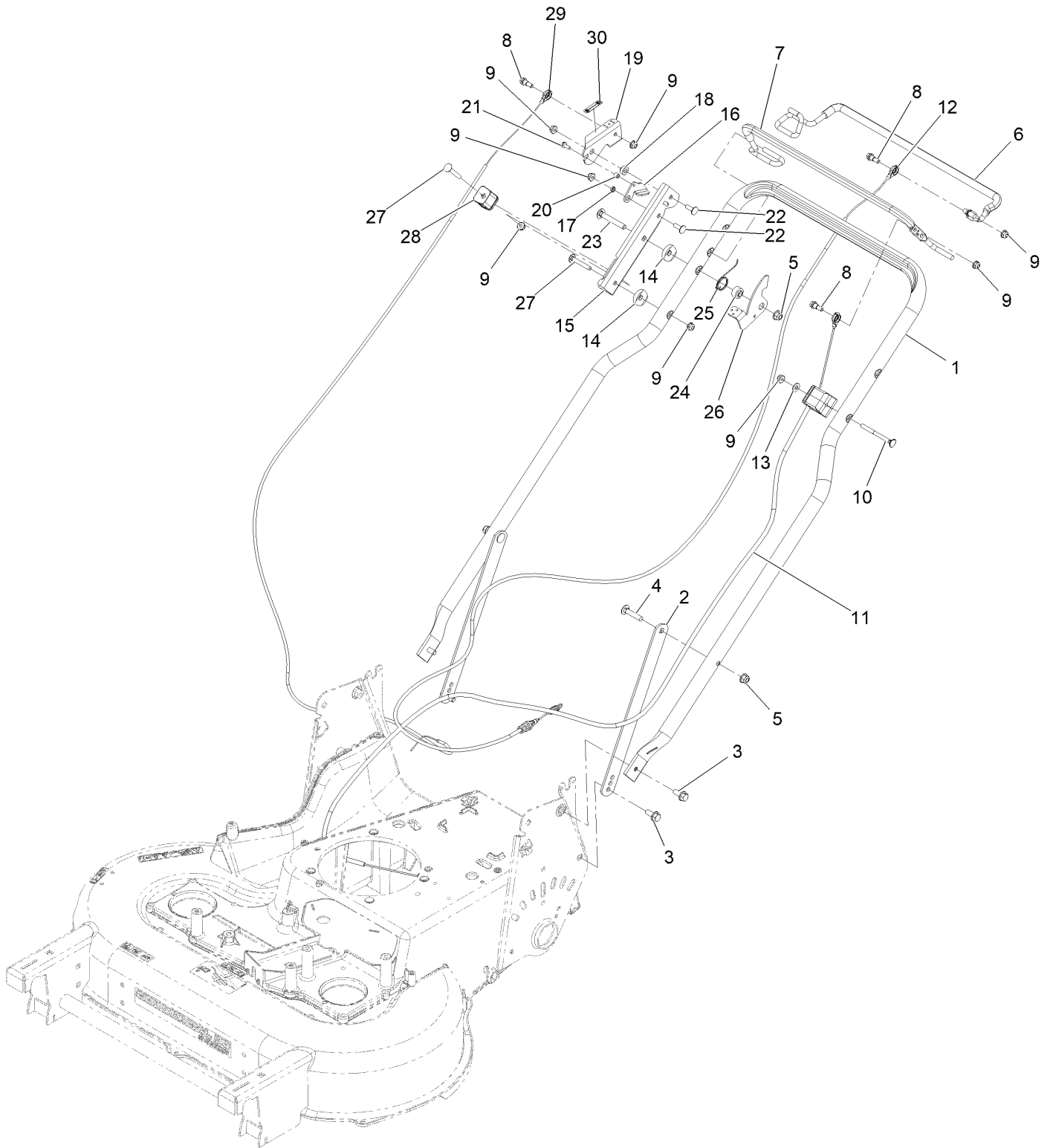


Traction and Height-of-Cut Assembly (continued)

<i>Ref.</i>	<i>Part Number</i>	<i>Qty.</i>	<i>Description</i>	<i>Ref.</i>	<i>Part Number</i>	<i>Qty.</i>	<i>Description</i>
1	137-9172-03	1	HOC Plate Assembly	25	104-8300	4	Nut-HF, NI
2	137-9173-03	1	HOC Plate Assembly	26	3230-2	1	Bolt-CARR
3	701243	7	Screw-Thd Roll, HWH	27	137-9185	2	Cover-Bearing
4	137-9183	2	Bearing Retainer ASM	28	133-2670	1	Transmission-Mv702
5	137-4779	4	Bearing-Ball, Custom	28:1	139-1837	1	Pulley & Fan Repair Kit
6	136-9111	2	Gear-Pinion, 15T	28:2	139-1842	1	Idler Pulley Repair Kit
7	32151-61	2	Ring-Retaining	28:2:2	139-1844	1	Pulley-Idler
8	3230-23	1	Bolt-CARR	28:2:3	139-1845	1	Spring-Tension, Belt
9	136-7095	2	Cover-Wheel	28:3	139-8974	1	Clutch Lever Repair Kit
10	133-8104-03	1	Bracket-Transmission, Front	29	120-7950	2	Screw-Torx
11	3230-4	2	Screw-CARR	30	36-4780	2	Washer-Plain
12	121-2368	1	Spring-Torsion	31	3296-47	1	Nut-Lock,NI
13	104-8301	2	Nut-HF, NI	32	138-5394-03	1	Bracket-Mount, Brake
14	125-2540	1	Washer-Plain	33	138-5398	1	Caliper-Brake, Disc
15	137-9174	2	10.5 In. Wheel ASM	33:1	139-8999	2	Pad-Brake, Disc ●
17	121-2397	1	Bracket	34	32144-4	2	Screw-HWH
18	139-8967	1	Rear Axle ASM	35	139-8990	1	Hub-Rotor
19	116-7127	1	Decal-HOC, Rear	36	933156	1	Pin-Roll
20	52-2860	1	Washer	37	138-5396	1	Disc-Rotor
21	119-2267	1	Screw-Shoulder, BHTF	38	139-8960	3	Screw-Torx PH Thd Roll
22	120-9471	1	Bolt-Shoulder	39	609471	1	Screw
23	139-1737	1	Lock-Height, Adj	40	49-2040	2	Screw-HWHTF
24	138-5393	1	Spring-Extension	41	140-1262-01	1	Bracket-Support, Cable

● Not illustrated

Handle Assembly



Handle Assembly (continued)

<i>Ref.</i>	<i>Part Number</i>	<i>Qty.</i>	<i>Description</i>	<i>Ref.</i>	<i>Part Number</i>	<i>Qty.</i>	<i>Description</i>
1	137-4767-03	1	Handle	18	139-1817	1	Washer-Stepped
2	116-8208-03	2	Support-Handle	19	139-1819	1	Lever-Brake
3	116-7230	4	Screw-HHF	20	117-9965	1	Spacer
4	3230-4	2	Bolt-Carriage 5/16-18 X 1 1/2	21	32144-1	1	Screw-HWH #10-24 X 1/2 Taptite
5	104-8300	3	Nut-Nyloc 5/16-18 Flg	22	1-807512	2	Bolt-Carriage 1/4-20 X 3/4 Short Neck
6	139-1815	1	Bail-Traction, Coated	23	3230-7	1	Bolt-Carriage 5/16-18 X 2 1/4
7	137-4810	1	Bail-BBC, Coated	24	116-2690	1	Bushing-Stepped
8	42-3560	3	Bolt-Shoulder	25	109-9318	1	Spring-Lever, BBC
9	104-7201	8	Nut-Nyloc 1/4-20 Flg	26	116-2998	1	Lever-BBC
10	140-3985	1	Screw-Handle	27	3229-5	2	Screw-CARR
11	137-4759	1	Cable-BBC	28	106-6801	1	Anchor-Cable
12	137-4807	1	Cable-Traction	29	138-5399	1	Cable-Brake, Parking
13	3256-1	1	Washer-Flat	30	139-5405	1	Decal-Brake, Parking
14	106-7260	2	Washer-Curved	99	614249	4	Tie-Cable ●
15	139-1818-03	1	Mount-Lever, Brake				
16	139-1813	1	*obs* Link-Actuation, Brake				
17	138-5368	1	Spacer				

● Not illustrated

Attachments and Accessories

For 22225 — 30in TurfMaster HDX Walk-Behind Lawn Mower

Product Name	Model/Part
Mulch Kit Commercial 30	116-8841
Atomic Blade 15.4in	120-9500-03
Mulching Kit	125-5064
Idler Pulley Kit.....	126-7890

Notes:



Count on it.