



1/3 Area Platform Lift

Heavy Duty Workman Utility Vehicle [®]

Model No. 07344-60001 & Up

Form No. 3351-664

Set-up Addendum

⚠
Caution
⚠

Accidental starting of the engine could seriously injure you or other bystanders.

Remove the key from the ignition switch before you do any maintenance.

Use the following instructions only when installing the 1/3 Area Platform Lift on a vehicle with a serial number greater than 240000001.

1. Unscrew and remove all knobs from console levers and from the gear shift lever (Fig. 1).

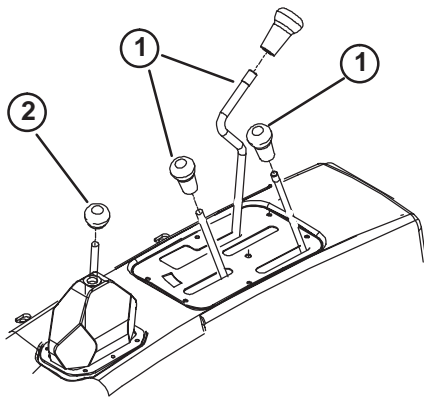


Figure 1

1. Console levers
2. Gear shift lever

2. Remove (6) screws securing outside edge of center console cover plate to frame and remove cover plate (Fig. 2).
3. Disconnect reservoir hose from radiator and plug or clamp to retain coolant (Fig. 2). Remove operator shield from ROPS.
4. Remove capscrews securing seats and shroud to mounting brackets (Fig. 2). Remove seats and shroud.
5. Mount switch to parking brake mount with (2) screws as shown in figure 3.
6. Plug jumper wire harness into switch.
7. Plug switch wire connector into lift wire harness connector.

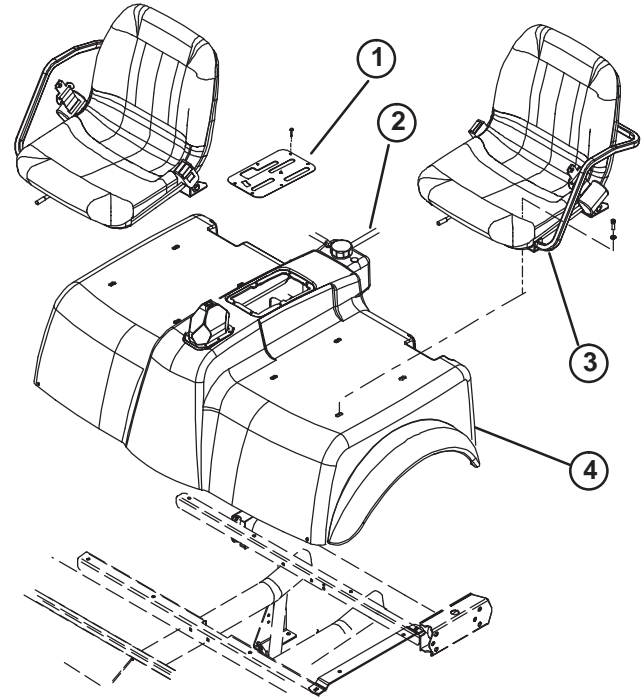


Figure 2

1. Console cover plate
2. Reservoir hose
3. Seat
4. Shroud

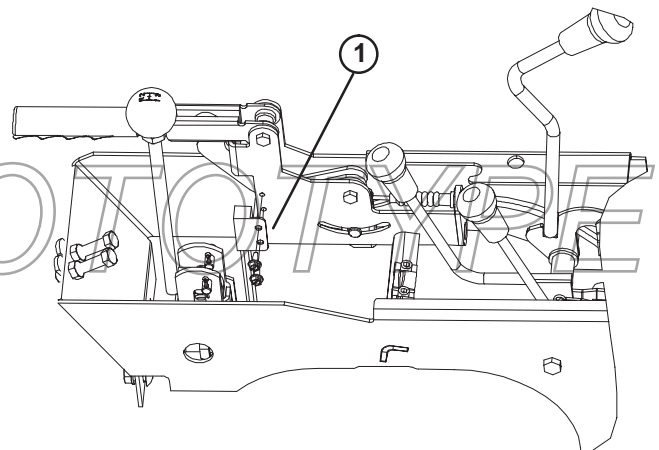


Figure 3

1. Switch
8. Re-install operator shield to ROPS, shroud, seats, console cover plate and lever knobs to vehicle. Connect reservoir hose to radiator.