



## Dingo<sup>®</sup> TX 413 Compact Utility Loader

Model No. 22308 - 240000001 and up.

### Parts Catalog

---

#### Ordering Replacement Parts

To order replacement parts, please supply the part number, the quantity, and the description of each part desired.

#### Understanding Reference Numbers

Each Identified part in an illustration has a reference number. The reference number for a part also appears in the parts list, along with other information about the part.

This catalog uses two special reference number formats, one to indicate parts in a service assembly and another to indicate the quantity of a given part in an illustration.

#### Service Assembly Reference Numbers

Parts in service assemblies have reference numbers in the form a:b. The a represents the reference number of the entire service assembly and the b represents a sequential number unique to each part within the service assembly.

For example, a wheel assembly might be identified by reference number 6, the tire by 6:1, the valve by 6:2, and the wheel by 6:3. When you order the assembly identified by reference number 6, you receive all parts identified by reference numbers 6:1, 6:2, and 6:3. However, you may also order any part individually. Reference numbers of this type appear in illustrations and in part lists.

#### Reference Numbers Indicating Quantity

In an illustration, if a reference number indicates more than one part, the reference number has the form nX y. The n represents the quantity of the part, the X is the multiplication symbol, and the y represents the reference number.

For example, in an illustration, the reference number 2X 37 means that two of the parts identified by reference number 37 are indicated.

# Contents

| Description                           | Page     | Description                 | Page     |
|---------------------------------------|----------|-----------------------------|----------|
| Frame Assembly                        | ..... 3  | Cylinder Head Assembly      | ..... 22 |
| Track and Traction Assembly           | ..... 5  | Cylinder Barrel Assembly    | ..... 23 |
| Engine and Drive Assembly             | ..... 6  | Crankcase Cover Assembly    | ..... 24 |
| Loader Arm and Quick Attach Assembly  | ..... 7  | Crankshaft Assembly         | ..... 25 |
| Loader Arm Hydraulic Assembly         | ..... 8  | Piston Assembly             | ..... 26 |
| Valve Assembly No. 106-9406           | ..... 9  | Camshaft Assembly           | ..... 27 |
| Traction Control Assembly             | ..... 10 | Fan Cover Assembly          | ..... 28 |
| Control Panel Assembly                | ..... 11 | Carburetor Assembly         | ..... 29 |
| Hood and Brake Assembly               | ..... 12 | Air Cleaner Assembly        | ..... 30 |
| Electrical Assembly                   | ..... 14 | Muffler Assembly            | ..... 31 |
| Traction Hydraulic Assembly           | ..... 15 | Flywheel Assembly           | ..... 32 |
| Hydraulic Motor Assembly No. 104-8470 | ..... 16 | Ignition Coil Assembly      | ..... 33 |
| Hydraulic Pump Assembly No. 106-9470  | ..... 17 | Starter Motor Assembly      | ..... 34 |
| Hydraulic Pump Assembly No. 106-9471  | ..... 18 | Control Assembly            | ..... 35 |
| Principle Hydraulic Assembly          | ..... 19 | Miscellaneous Part Assembly | ..... 36 |
| Spool Valve Assembly No. 106-9405     | ..... 20 |                             |          |
| Fuel Tank Assembly                    | ..... 21 |                             |          |

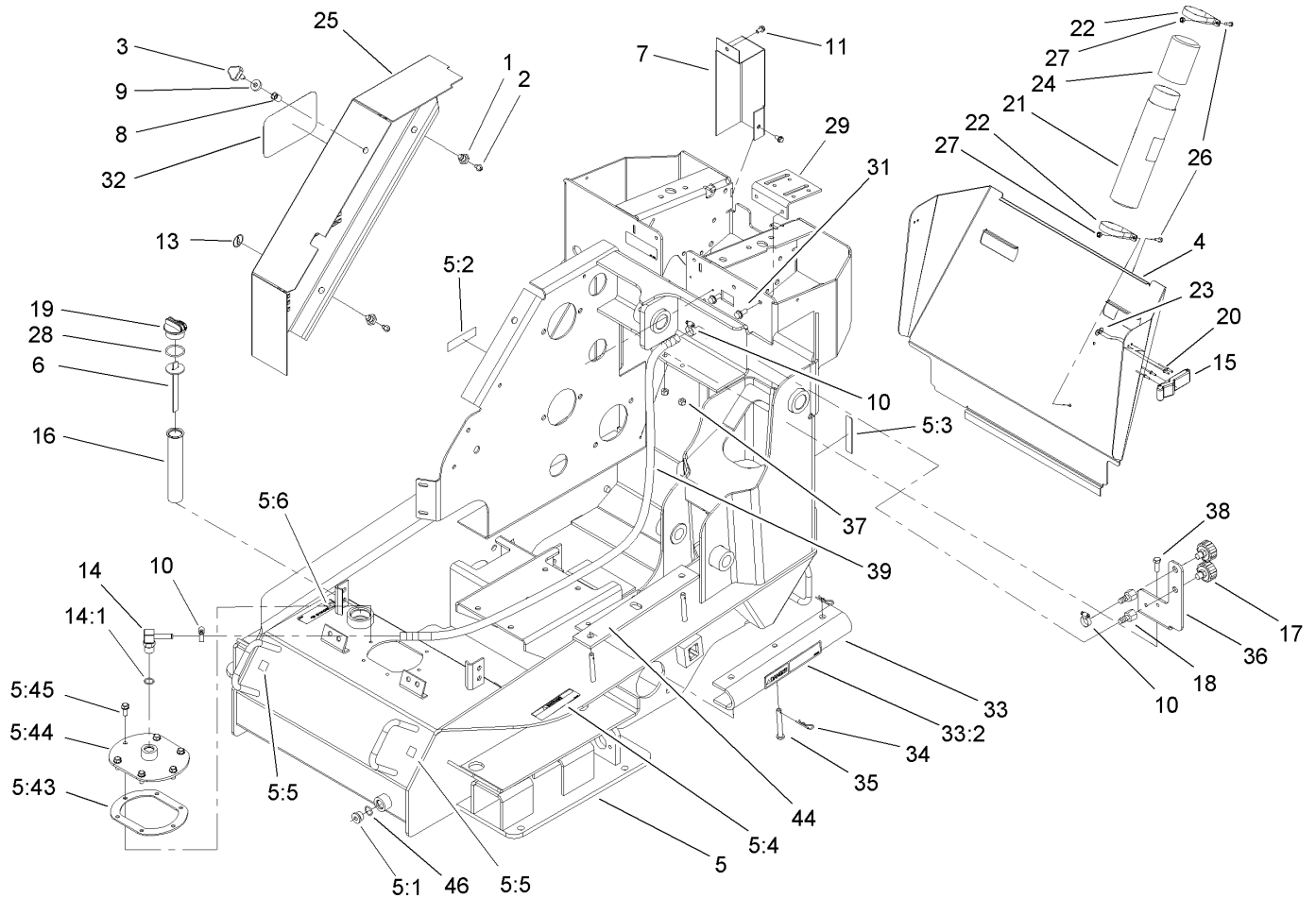
## Part Description Abbreviations

Part descriptions in this catalog may include the following abbreviations.

|   |                                   |
|---|-----------------------------------|
| AR..... as required                       | INC..... incorporated             |
| ASM..... assembly                         | LH..... left hand                 |
| CARR..... carriage                        | NI..... nylon insert              |
| DEG..... degrees                          | PPH..... phillips pan head        |
| FH..... flat head                         | PTH..... phillips truss head      |
| GA..... gauge                             | PTO..... power take off           |
| HF..... hex flange                        | RH..... right hand                |
| HH..... hex head                          | SFH..... slotted fillister head   |
| HHF..... hex head flange                  | SHH..... slotted hex head         |
| HHFTF..... hex head flange thread forming | SHWH..... slotted hex washer head |
| HJ..... hex jam                           | SPH..... slotted pan head         |
| HLH..... hex lag head                     | SQH..... square head              |
| HOC..... height-of-cut                    | SRH..... slotted round head       |
| HS..... hex                               | STD..... standard                 |
| HSBH..... hex socket button head          | TAP..... self tapping             |
| HSFH..... hex socket flat head            | TTH..... torx truss head          |
| HSH..... hex socket head                  | WH..... wing head                 |
| HWH..... hex washer head                  |                                   |
| HWHTF..... hex washer head thread forming |                                   |
| HYD..... hydraulic                        |                                   |

## Footnotes

- ❶ Not illustrated
- ❷ Not serviced separately
- ❸ Obtain Parts From Honda

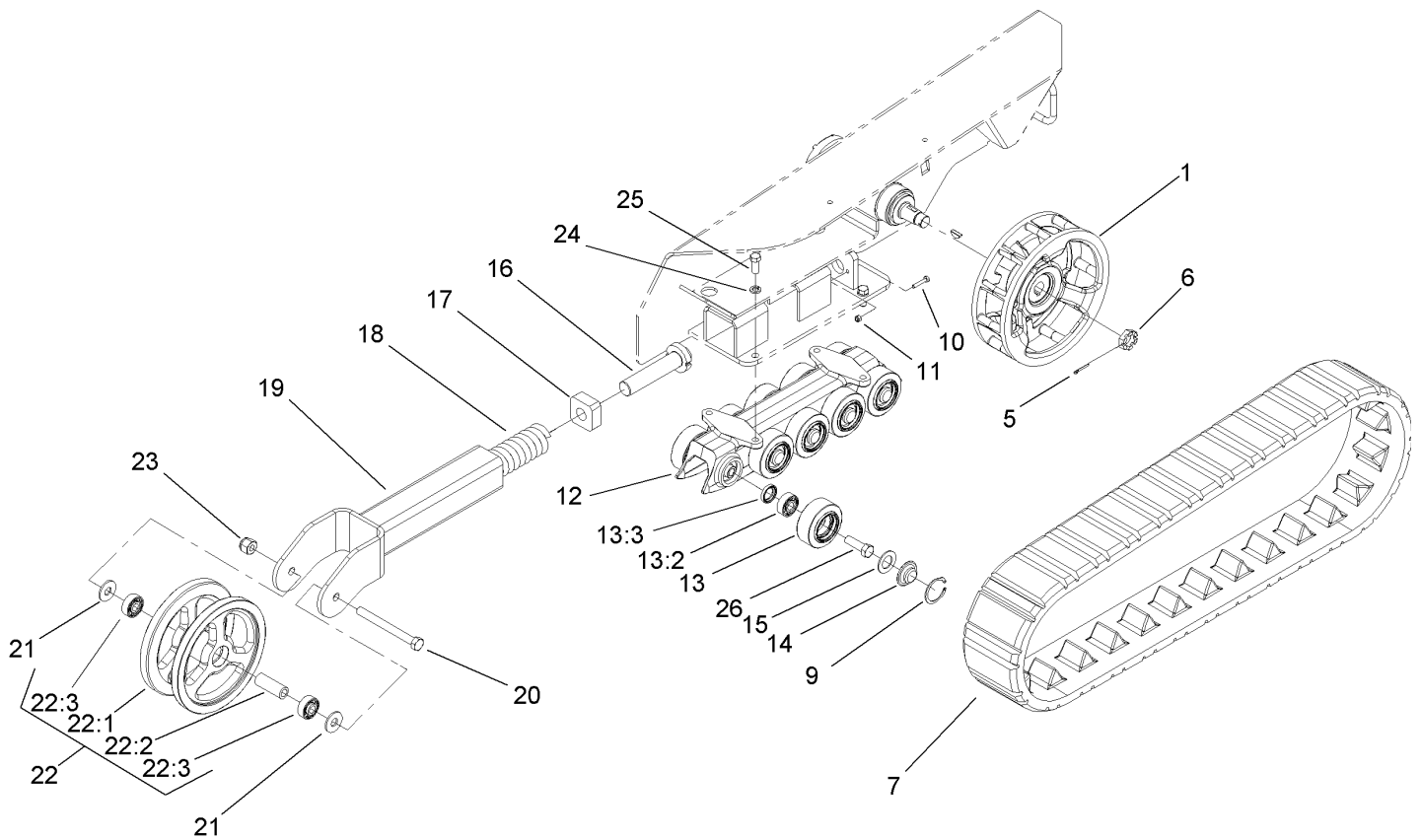


## Frame Assembly

| Ref  | Part No.    | Qty. | Description          |
|------|-------------|------|----------------------|
| 1    | 95-3989     | 2    | Mount-Sidepanel      |
| 2    | 46-8093     | 2    | Screw-Plastite       |
| 3    | 95-9648     | 1    | Knob                 |
| 4    | 106-9472-01 | 1    | Cover-Rear           |
| 5    | 105-9010    | 1    | Frame ASM            |
| 5:1  | 353-550     | 1    | Plug-HYD             |
| 5:2  | 98-5954     | 1    | Decal-Missing, Cover |
| 5:3  | 104-2838    | 1    | Decal-Brake          |
| 5:4  | 100-6141    | 1    | Decal-Pinch          |
| 5:5  | 93-9084     | 4    | Decal-Point, Lift    |
| 5:6  | 105-8432    | 1    | Decal-Oil, Hydraulic |
| 5:43 | 107-3557    | 1    | Gasket-Cover, Access |
| 5:44 | 107-3559    | 1    | Cover ASM            |
| 5:45 | 98-9940     | 6    | Screw                |
| 6    | 100-2097    | 1    | Dipstick-Oil         |
| 7    | 105-9043-03 | 1    | Cover-Pulley         |
| 8    | 32148-9     | 1    | Insert-Nut           |
| 9    | 106-0565    | 1    | Washer-Rubber        |
| 10   | 2412-36     | 3    | Clamp-Hose           |
| 11   | 32144-4     | 2    | Screw-HWH            |
| 13   | 58-6520     | 1    | Decal-Grease         |
| 14   | 354-134     | 1    | Fitting-Hyd, 90 DEG  |
| 14:1 | 237-79      | 1    | O-Ring               |
| 15   | 80-6980     | 2    | Latch                |

| Ref  | Part No.    | Qty. | Description             |
|------|-------------|------|-------------------------|
| 16   | 61-2790     | 1    | Filter-Screen           |
| 17   | 68-6150     | 2    | Breather                |
| 18   | 354-94      | 2    | Fitting-Female, Barbed  |
| 19   | 93-7498     | 1    | Plug-Plastic            |
| 20   | 3269-17     | 8    | Rivet-Pop               |
| 21   | 104-7050    | 1    | Housing-Manual          |
| 22   | 2412-120    | 2    | R-Clamp                 |
| 23   | 3269-10     | 8    | Washer-Back             |
| 24   | 104-7048    | 1    | Cap-Housing             |
| 25   | 106-9427-03 | 1    | Cover-Belt              |
| 26   | 3290-500    | 2    | Screw-PPH               |
| 27   | 3296-2      | 2    | Nut-Lock                |
| 28   | 237-123     | 1    | O-Ring                  |
| 29   | 106-9447-01 | 1    | Bracket-Mount, Throttle |
| 31   | 32144-70    | 2    | Screw-HH                |
| 32   | 105-1217    | 1    | Decal-Toro              |
| 33   | 107-3552    | 1    | Locking Arm ASM         |
| 33:2 | 100-6135    | 1    | Decal-Danger            |
| 34   | 3290-467    | 3    | Pin-Hair                |
| 35   | 283-52      | 1    | Pin-Clevis              |
| 36   | 106-3132-01 | 1    | Bracket-Filter          |
| 37   | 3296-29     | 2    | Nut-Lock, NI            |
| 38   | 322-5       | 2    | Screw-HH                |
| 39   | 103-1693    | 1    | Hose-Fuel               |

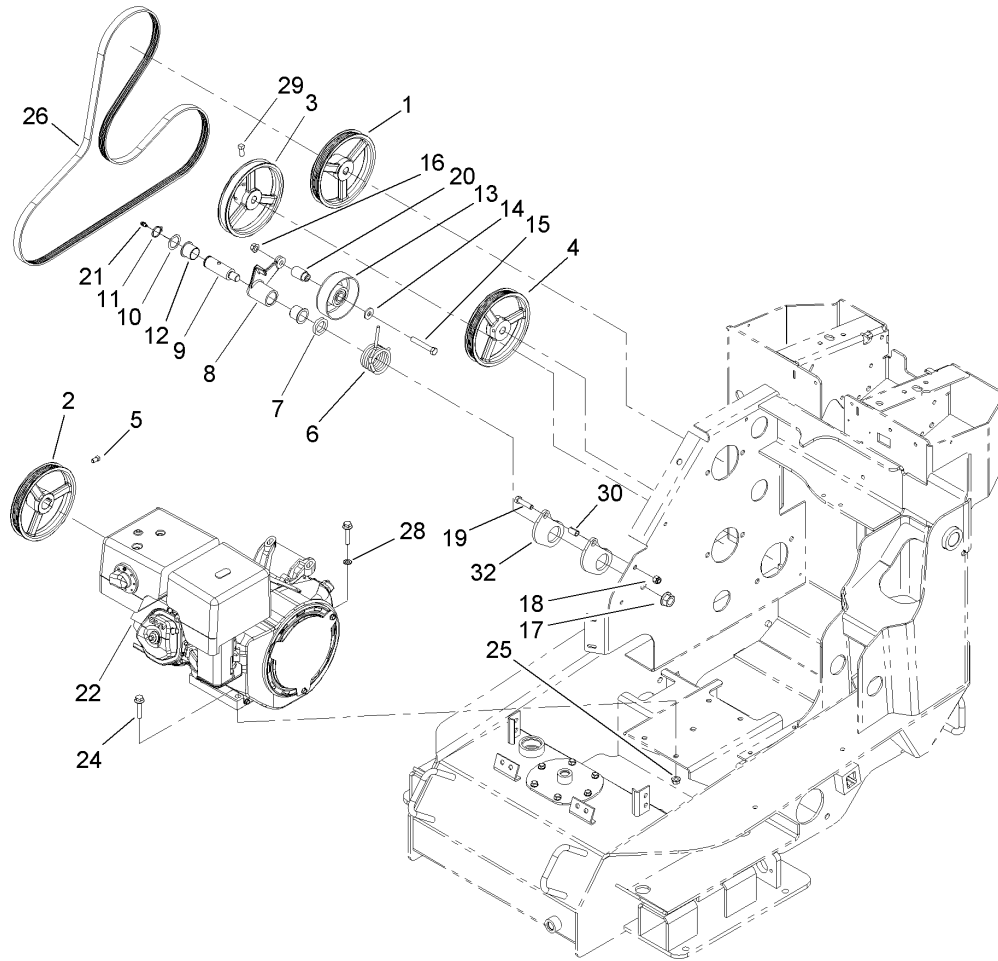




## Track and Traction Assembly

| Ref  | Part No.    | Qty. | Description             |
|------|-------------|------|-------------------------|
| 1    | 105-9146-03 | 2    | Wheel- Drive            |
| 5    | 3272-12     | 2    | Pin-Cotter              |
| 6    | 99-3139     | 2    | Nut                     |
| 7    | 98-9800     | 2    | Track                   |
| 9    | 106-7595    | 20   | Ring-Snap, Internal     |
| 10   | 321-13      | 2    | Screw-HH                |
| 11   | 3296-42     | 2    | Nut-Lock, NI            |
| 12   | 106-7590-03 | 2    | Guide-Track             |
| 13   | 106-7621    | 20   | Road Wheel ASM          |
| 13:2 | 93-4237     | 1    | Bearing                 |
| 13:3 | 253-118     | 1    | Seal-Oil                |
| 14   | 106-7557    | 20   | Cap-Wheel, Bearing      |
| 15   | 106-7585    | 20   | Gasket-Bogie            |
| 16   | 98-9846     | 2    | Bolt-Tensioner          |
| 17   | 95-3626     | 2    | Block-Tensioning        |
| 18   | 95-3624     | 2    | Spring-Compression      |
| 19   | 98-9801-03  | 2    | Tensioner Arm ASM       |
| 20   | 327-17      | 2    | Screw-HH                |
| 21   | 3256-7      | 4    | Washer-Flat             |
| 22   | 104-5745    | 2    | Tensioner Wheel ASM     |
| 22:1 | 104-5747-03 | 1    | Wheel-Tensioner         |
| 22:2 | 98-9835     | 1    | Spacer-Wheel, Tensioner |
| 22:3 | 93-4237     | 2    | Bearing                 |
| 23   | 3296-24     | 2    | Nut-Lock NI             |

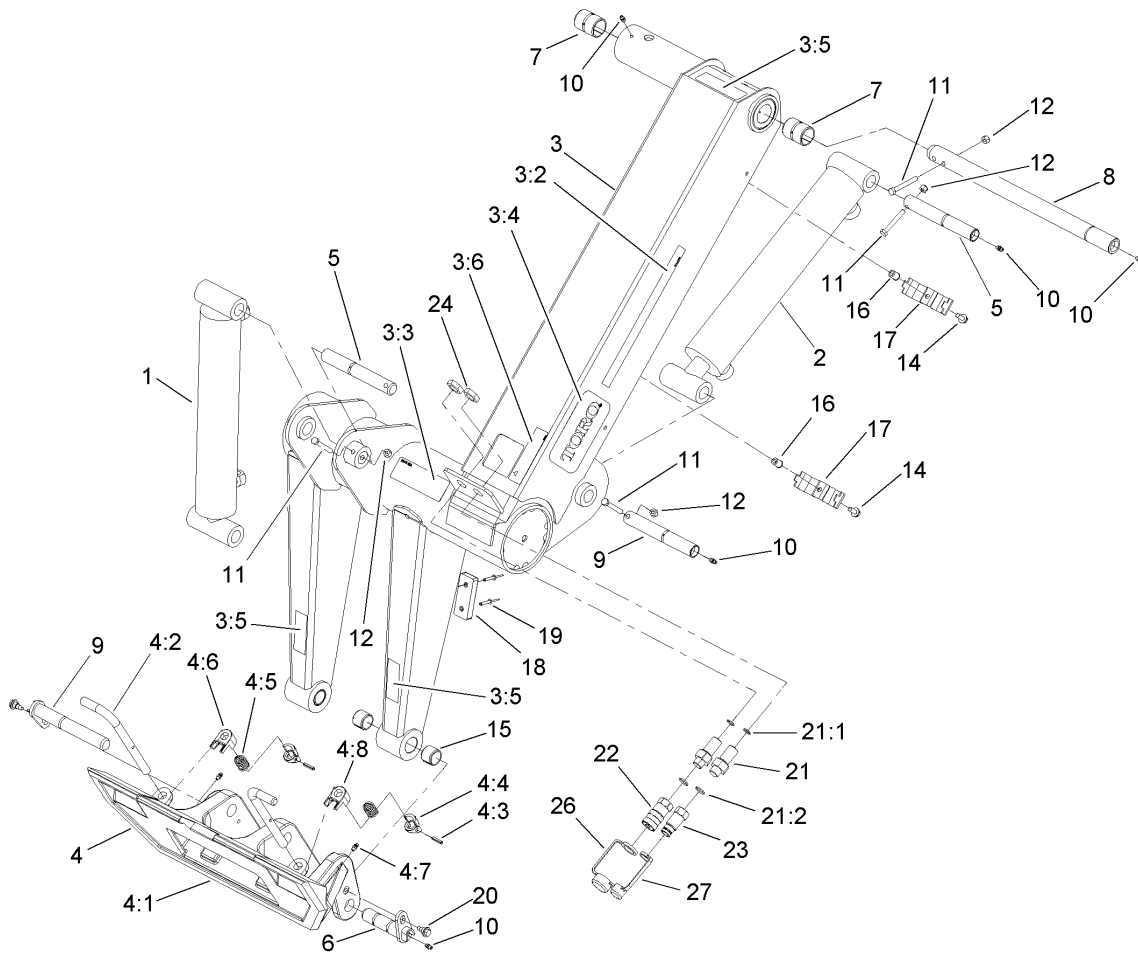
| Ref | Part No. | Qty. | Description |
|-----|----------|------|-------------|
| 24  | 3253-7   | 8    | Washer-Lock |
| 25  | 325-5    | 8    | Screw-HH    |
| 26  | 327-6    | 20   | Screw-HH    |



## Engine and Drive Assembly

| Ref | Part No.   | Qty. | Description                |
|-----|------------|------|----------------------------|
| 1   | 104-8448   | 1    | Pulley                     |
| 2   | 104-8449   | 1    | Pulley                     |
| 3   | 104-8450   | 1    | Pulley                     |
| 4   | 105-9046   | 1    | Pulley                     |
| 5   | 3242-2     | 2    | Screw-SQH                  |
| 6   | 100-4844   | 1    | Spring-Torsion             |
| 7   | 99-3625    | 1    | Spacer-Arm, Idler          |
| 8   | 99-3623-03 | 1    | Arm-Idler                  |
| 9   | 99-3624    | 1    | Shaft-Pivot, Idler         |
| 10  | 74-1810    | 1    | Washer                     |
| 11  | 32151-36   | 1    | Ring-Retaining             |
| 12  | 99-3631    | 2    | Bushing-Flange             |
| 13  | 95-8802    | 1    | Pulley-Idler               |
| 14  | 80-6990    | 1    | Washer-Hardened            |
| 15  | 323-12     | 1    | Screw-HH                   |
| 16  | 32128-21   | 1    | Nut-HF                     |
| 17  | 32128-54   | 1    | Nut-Flange                 |
| 18  | 3296-39    | 1    | Nut-Lock, NI               |
| 19  | 323-8      | 1    | Screw-HH                   |
| 20  | 105-9035   | 1    | Spacer-Idler               |
| 21  | 302-5      | 1    | Fitting-Grease             |
| 22  |            | 1    | Engine-Honda, Gx390k1 Qtr2 |
| 24  | 3234-19    | 3    | Screw-HHF                  |
| 25  | 32128-21   | 4    | Nut-HF                     |

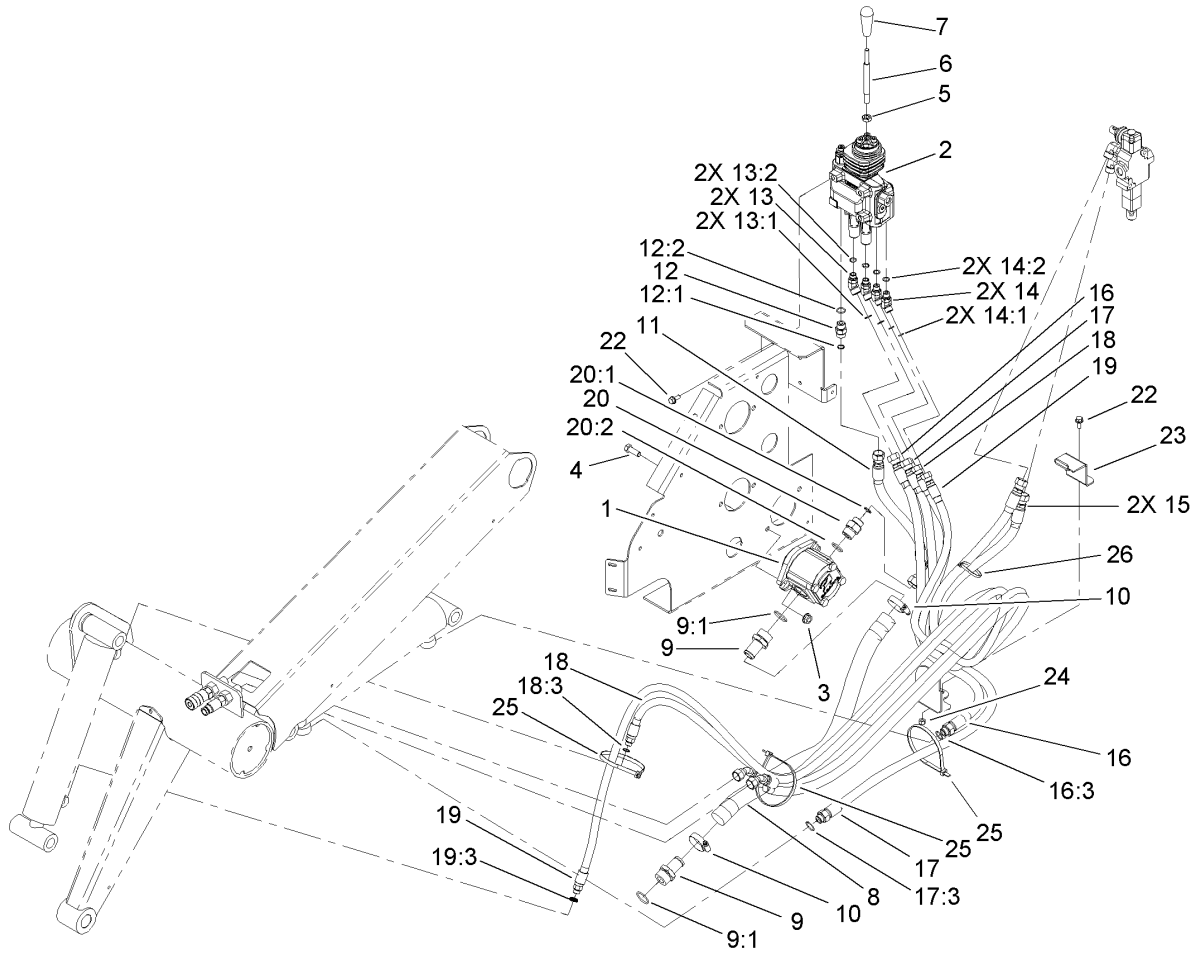
| Ref | Part No. | Qty. | Description          |
|-----|----------|------|----------------------|
| 26  | 106-9422 | 1    | Belt-Poly-V          |
| 28  | 3255-9   | 1    | Washer-Lock, Ext     |
| 29  | 3242-4   | 6    | Screw-Set, SQH       |
| 30  | 106-4501 | 1    | Scraper-Stop, Spacer |
| 32  | 106-9480 | 2    | Pad-Rubber           |



## Loader Arm and Quick Attach Assembly

| Ref | Part No.    | Qty. | Description                  |
|-----|-------------|------|------------------------------|
| 1   | 106-3161    | 1    | Cylinder-Hydraulic           |
| 1:1 | 106-9466    | 1    | Kit-Seal,hydraulic Cylinder  |
| 2   | 106-3162    | 1    | Cylinder-Hydraulic           |
| 2:1 | 106-9467    | 1    | Kit-Seal, Hydraulic Cylinder |
| 3   | 107-3565    | 1    | Loader Arm ASM               |
| 3:2 | 106-9452    | 1    | Decal-Model                  |
| 3:3 | 106-9451    | 1    | Decal-Caution                |
| 3:4 | 105-1217    | 1    | Decal-Toro                   |
| 3:5 | 100-6141    | 3    | Decal-Pinch                  |
| 3:6 | 100-6101    | 1    | Decal-Caution                |
| 4   | 106-9426    | 1    | Quick Attach ASM             |
| 4:1 | 106-3156-03 | 1    | Mount-Qtach                  |
| 4:2 | 105-8367    | 2    | Pin-Locking                  |
| 4:3 | 3285-1      | 2    | Pin-Grooved                  |
| 4:4 | 105-0246    | 2    | Cam                          |
| 4:5 | 98-4694     | 2    | Spring-Compression           |
| 4:6 | 104-5909    | 1    | Stop-RH                      |
| 4:7 | 302-5       | 2    | Fitting-Grease               |
| 4:8 | 104-5903    | 1    | Stop-LH                      |
| 5   | 105-9075    | 3    | Pin-Pivot .                  |
| 6   | 106-3139    | 2    | Pivot Pin ASM                |
| 7   | 106-3133    | 2    | Bushing-Tension, Loader Arm  |
| 8   | 106-3164    | 1    | Pin-Pivot, Loader Arm        |
| 9   | 106-3140    | 1    | Pivot Pin ASM                |

| Ref  | Part No.    | Qty. | Description       |
|------|-------------|------|-------------------|
| 10   | 302-5       | 8    | Fitting-Grease    |
| 11   | 322-12      | 4    | Screw-HH          |
| 12   | 3296-29     | 4    | Nut-Lock, NI      |
| 14   | 322-5       | 2    | Screw-HH          |
| 15   | 98-4871     | 4    | Bushing-Tension   |
| 16   | 32148-7     | 2    | Insert-Nut        |
| 17   | 107-3553-03 | 2    | Clamp-Hose        |
| 18   | 86-5350     | 2    | Bumper-Rubber     |
| 19   | 3269-11     | 4    | Rivet             |
| 20   | 99-5105     | 3    | Bolt-Shoulder     |
| 21   | 98-9907     | 2    | Union-Bulkhead    |
| 21:1 | 237-30      | 1    | O-Ring            |
| 21:2 | 237-79      | 1    | O-Ring            |
| 22   | 104-6115    | 1    | Coupler-Female    |
| 22:1 | 107-9300    | 1    | Kit-Seal, Coupler |
| 23   | 104-6114    | 1    | Nipple-Connector  |
| 23:1 | 107-9301    | 1    | Kit-Seal, Nipple  |
| 24   | 340-127     | 2    | Nut-Bulkhead      |
| 26   | 105-5865    | 1    | Cap-Dust          |
| 27   | 105-5866    | 1    | Plug-Dust         |

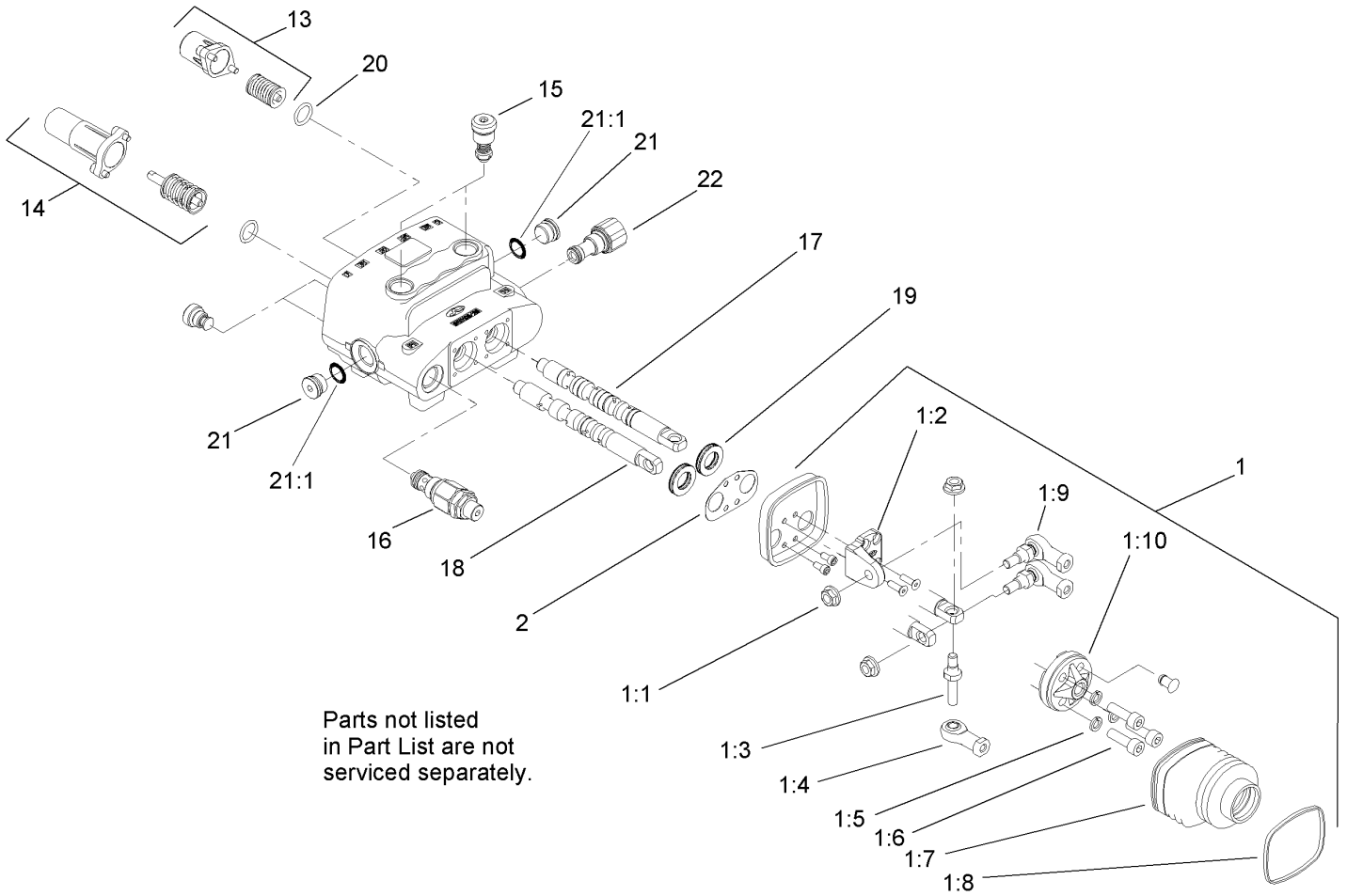


## Loader Arm Hydraulic Assembly

| Ref  | Part No. | Qty. | Description             |
|------|----------|------|-------------------------|
| 1    | 104-8481 | 1    | Pump-Gear               |
| 1:1  | 98-4700  | 1    | Key-Square              |
| 1:2  | 107-3550 | 1    | Kit-Seal, Pump          |
| 2    | 106-9406 | 1    | Valve-Loader            |
| 3    | 32128-42 | 2    | Nut-HF                  |
| 4    | 324-5    | 2    | Screw-HH                |
| 5    | 51-2070  | 1    | Nut                     |
| 6    | 95-3569  | 1    | Shaft-Handle, Lift/tilt |
| 7    | 98-0152  | 1    | Knob-Tapered            |
| 8    | 106-9446 | 1    | Hose-Hyd, Suction       |
| 9    | 354-78   | 2    | Connector-Hose          |
| 9:1  | 237-146  | 1    | O-Ring                  |
| 10   | 2412-111 | 2    | Clamp                   |
| 11   | 106-3148 | 1    | Hydraulic Hose ASM      |
| 12   | 340-4    | 1    | Fitting-Hyd, Straight   |
| 12:1 | 237-30   | 1    | O-Ring                  |
| 12:2 | 237-79   | 1    | O-Ring                  |
| 13   | 340-96   | 2    | Adapter                 |
| 13:1 | 237-30   | 1    | O-Ring                  |
| 13:2 | 237-42   | 1    | O-Ring                  |
| 14   | 340-87   | 2    | Fitting-Hyd, 45 DEG     |
| 14:1 | 237-22   | 1    | O-Ring                  |
| 14:2 | 237-42   | 1    | O-Ring                  |
| 15   | 106-3145 | 2    | Hydraulic Hose ASM      |

| Ref  | Part No.    | Qty. | Description        |
|------|-------------|------|--------------------|
| 16   | 106-3147    | 1    | Hydraulic Hose ASM |
| 16:3 | 237-79      | 1    | O-Ring             |
| 17   | 106-3146    | 1    | Hydraulic Hose ASM |
| 17:3 | 237-79      | 1    | O-Ring             |
| 18   | 106-3144    | 1    | Hydraulic Hose ASM |
| 18:3 | 237-42      | 1    | O-Ring             |
| 19   | 106-3143    | 1    | Hydraulic Hose ASM |
| 19:3 | 237-42      | 1    | O-Ring             |
| 20   | 340-8       | 1    | Adapter            |
| 20:1 | 237-65      | 1    | O-Ring             |
| 20:2 | 237-81      | 1    | O-Ring             |
| 22   | 3234-5      | 4    | Screw              |
| 23   | 107-3555-01 | 1    | Clamphalf-Hose     |
| 24   | 3296-29     | 1    | Nut-Lock, NI       |
| 25   | 3334-945    | 3    | Tie-Cable          |
| 26   | 3290-379    | 5    | Tie-Cable          |

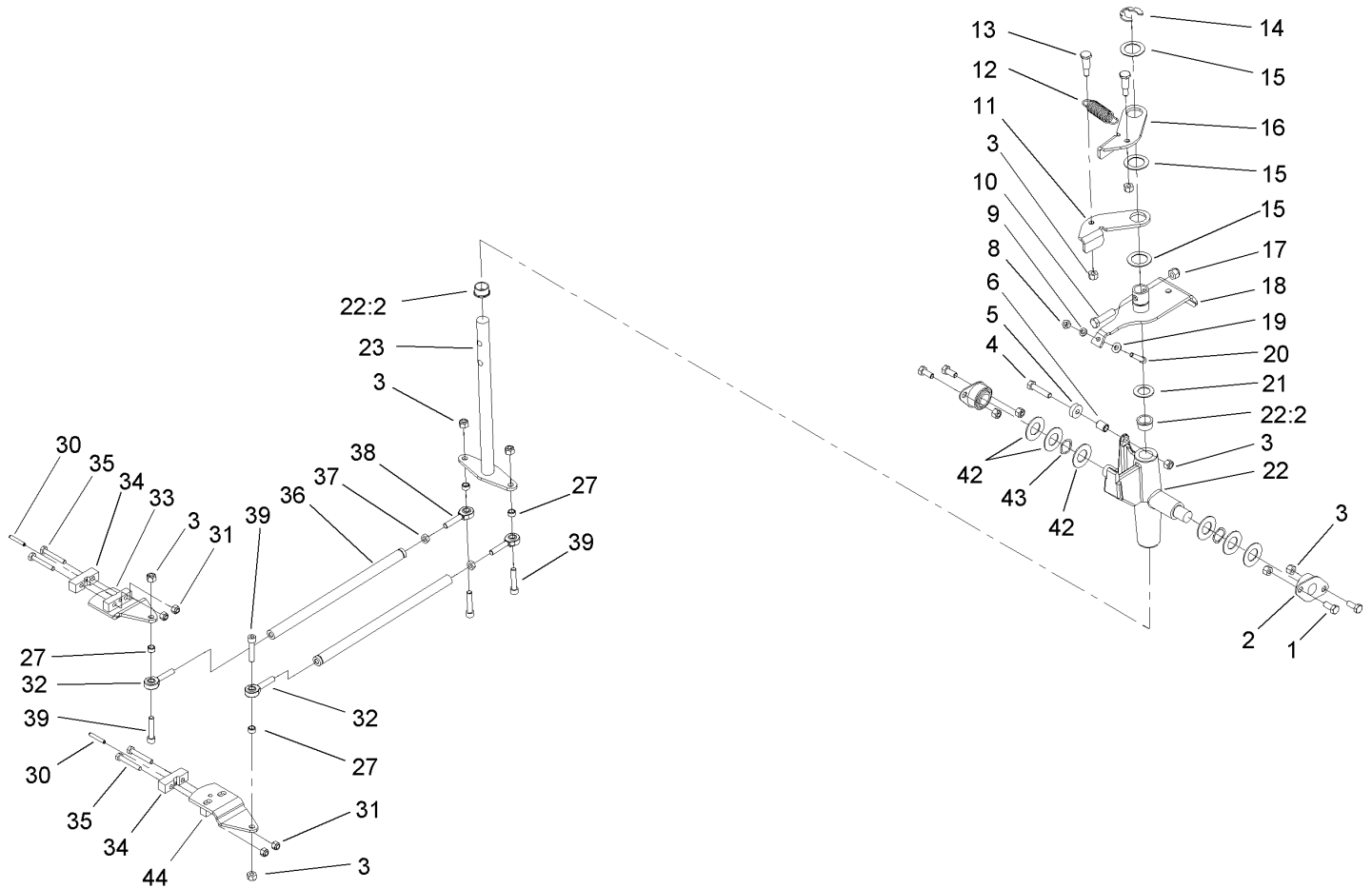




## Valve Assembly No. 106-9406

| Ref  | Part No. | Qty. | Description               |
|------|----------|------|---------------------------|
| 1    | 106-7724 | 1    | Kit-Joystick              |
| 1:1  | 98-0668  | 3    | Nut                       |
| 1:2  | 106-7726 | 1    | Pivot-Joystick            |
| 1:3  | 106-7727 | 1    | Pin-Joystick              |
| 1:4  | 106-7728 | 1    | End-Rod                   |
| 1:5  | 42-9850  | 3    | Washer-Lock, Spring       |
| 1:6  | 98-5828  | 3    | Screw-HSH                 |
| 1:7  | 106-7729 | 1    | Bellow-Rubber             |
| 1:8  | 3290-379 | 1    | Tie-Cable                 |
| 1:9  | 106-7730 | 2    | Joint-Joystick            |
| 1:10 | 106-7731 | 1    | Holder-Articulated        |
| 2    | 106-7725 | 1    | Seal-Joystick             |
| 13   | 106-7732 | 1    | Kit-Spring, Valve         |
| 14   | 106-7733 | 1    | Kit-Spring, Detent        |
| 15   | 107-3561 | 2    | Valve-Relief, port        |
| 16   | 106-7735 | 1    | Valve-Relief, Main        |
| 17   | 106-7736 | 1    | Spool-Valve               |
| 18   | 106-7737 | 1    | Spool-Valve               |
| 19   | 106-7738 | 2    | Seal-Valve, Spool         |
| 20   | 106-7719 | 2    | Seal-Valve                |
| 21   | 353-988  | 2    | Plug-Hex, Hollow          |
| 21:1 | 237-79   | 1    | O-Ring                    |
| 22   | 107-3562 | 1    | Sleeve-Port, Power Beyond |

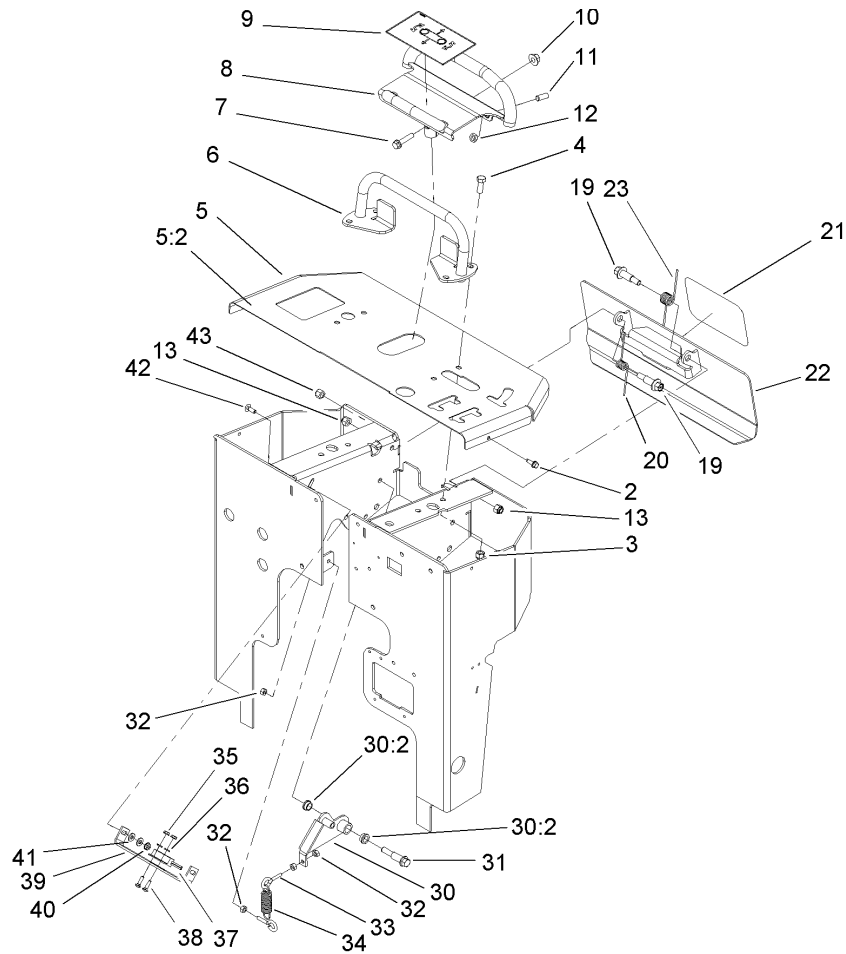
|  |  |  |  |
|--|--|--|--|
|  |  |  |  |
|  |  |  |  |
|  |  |  |  |
|  |  |  |  |



## Traction Control Assembly

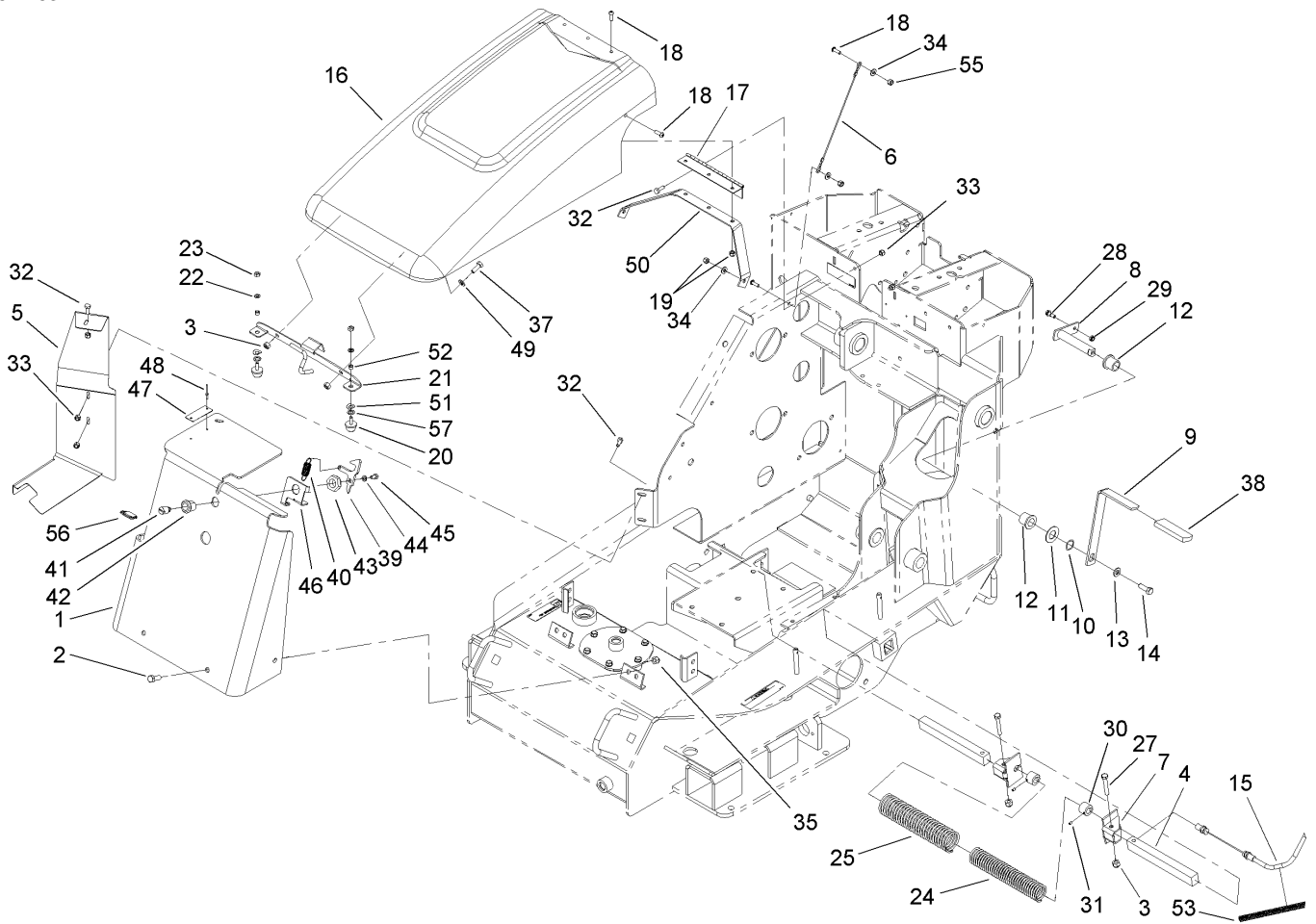
| Ref  | Part No. | Qty. | Description            |
|------|----------|------|------------------------|
| 1    | 322-3    | 4    | Screw-HH               |
| 2    | 68-2970  | 2    | Bushing                |
| 3    | 3296-29  | 11   | Nut-Lock, NI           |
| 4    | 322-7    | 1    | Screw-HH               |
| 5    | 251-259  | 1    | Bearing-Ball           |
| 6    | 88-7450  | 1    | Spacer-Lever, Control  |
| 8    | 3217-5   | 1    | Nut-Hex                |
| 9    | 3253-3   | 1    | Washer-Lock            |
| 10   | 323-8    | 1    | Screw-HH               |
| 11   | 98-8407  | 1    | Lever-Return, RH       |
| 12   | 105-1210 | 1    | Spring-Extension       |
| 13   | 63-2650  | 2    | Screw-Shoulder         |
| 14   | 32151-91 | 1    | Ring-Retaining         |
| 15   | 3256-42  | 3    | Washer-Flat            |
| 16   | 98-8408  | 1    | Lever-Return, LH       |
| 17   | 3296-39  | 1    | Nut-Lock, NI           |
| 18   | 104-9968 | 1    | Pivot Lever ASM        |
| 19   | 3256-22  | 1    | Washer-Flat            |
| 20   | 3274-51  | 1    | Screw-HSH              |
| 21   | 257-8    | 1    | Washer-Thrust          |
| 22   | 106-5737 | 1    | Control Support ASM    |
| 22:2 | 256-252  | 2    | Bearing-Flange         |
| 23   | 106-5745 | 1    | Drive Rod ASM          |
| 27   | 92-3133  | 4    | Spacer-Lever, Traction |

| Ref | Part No. | Qty. | Description         |
|-----|----------|------|---------------------|
| 30  | 32121-6  | 2    | Pin-Roll            |
| 31  | 3296-42  | 4    | Nut-Lock, NI        |
| 32  | 2411-53  | 2    | Bearing-Rod End, LH |
| 33  | 104-8475 | 1    | Pump Lever ASM      |
| 34  | 105-0365 | 2    | Clamp-Traction      |
| 35  | 321-10   | 4    | Screw-HH            |
| 36  | 105-9030 | 2    | Rod-Linkage         |
| 37  | 3220-2   | 2    | Nut                 |
| 38  | 2411-52  | 2    | Bearing-Rod End, RH |
| 39  | 3274-83  | 4    | Screw-HSH           |
| 42  | 3256-39  | 6    | Washer-Flat         |
| 43  | 95-3703  | 2    | Washer-Spring, Wave |
| 44  | 105-0362 | 1    | Pump Lever ASM      |



## Control Panel Assembly

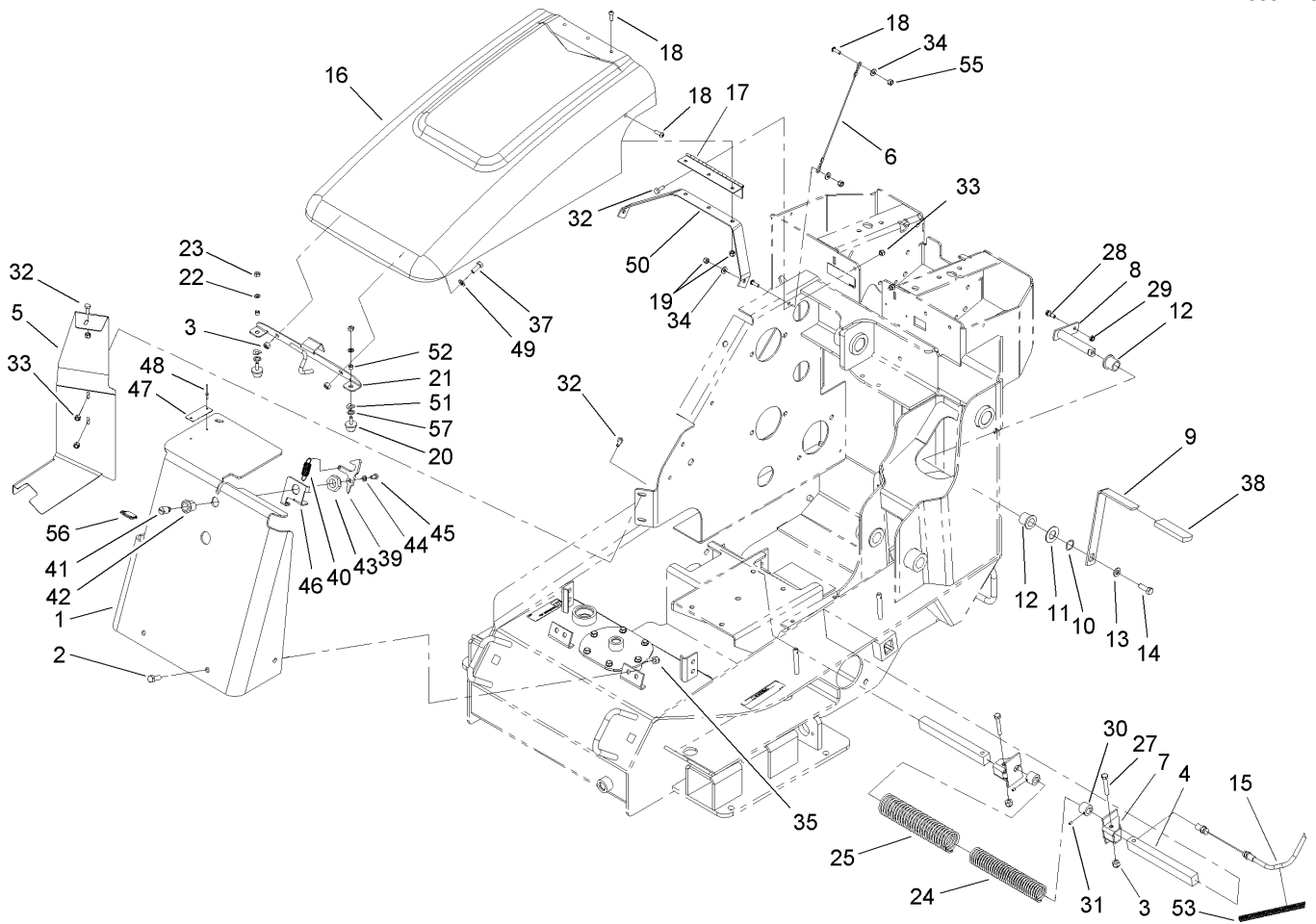
| Ref  | Part No.    | Qty. | Description                 | Ref | Part No. | Qty. | Description      |
|------|-------------|------|-----------------------------|-----|----------|------|------------------|
| 2    | 32144-44    | 2    | Screw-HWH                   | 35  | 32149-7  | 2    | Nut-Keps         |
| 3    | 3296-22     | 4    | Nut-Lock, NI                | 36  | 3256-51  | 2    | Washer-Flat      |
| 4    | 323-6       | 4    | Screw-HH                    | 37  | 100-1270 | 1    | Switch-Proximity |
| 5    | 106-9508    | 1    | Control Panel ASM           | 38  | 3229-20  | 2    | Screw-CARR       |
| 5:2  | 106-9450    | 1    | Decal-Control Panel         | 39  | 100-1263 | 1    | Plate-Switch     |
| 6    | 98-8400-03  | 1    | Reference Bar ASM           | 40  | 32149-2  | 2    | Nut              |
| 7    | 3234-18     | 1    | Screw-HHF                   | 41  | 3256-22  | 4    | Washer-Flat      |
| 8    | 104-9970-03 | 1    | Control Handle ASM          | 42  | 3229-1   | 2    | Screw-CARR       |
| 9    | 106-9453    | 1    | Decal-Traction              | 43  | 3296-6   | 1    | Nut-Lock, NI     |
| 10   | 32128-43    | 1    | Nut-Flange                  |     |          |      |                  |
| 11   | 3247-7      | 2    | Set Screw                   |     |          |      |                  |
| 12   | 3218-3      | 2    | Nut-Jam                     |     |          |      |                  |
| 13   | 3296-39     | 2    | Nut-Lock, NI                |     |          |      |                  |
| 19   | 62-1330     | 2    | Bolt-Shoulder               |     |          |      |                  |
| 20   | 98-8424     | 1    | Spring-Torsion, RH          |     |          |      |                  |
| 21   | 105-1217    | 1    | Decal-Toro                  |     |          |      |                  |
| 22   | 105-9031-03 | 1    | Reverse Plate ASM           |     |          |      |                  |
| 23   | 98-8425     | 1    | Spring-Torsion, LH          |     |          |      |                  |
| 30   | 100-4203    | 1    | Neutral Centering Lever ASM |     |          |      |                  |
| 30:2 | 256-156     | 2    | Bushing-Flange              |     |          |      |                  |
| 31   | 66-0560     | 1    | Bolt-Shoulder               |     |          |      |                  |
| 32   | 3217-5      | 4    | Nut-Hex                     |     |          |      |                  |
| 33   | 71-2870     | 2    | Bolt-Eye                    |     |          |      |                  |
| 34   | 105-1210    | 1    | Spring-Extension            |     |          |      |                  |



## Hood and Brake Assembly

| Ref | Part No.    | Qty. | Description         |
|-----|-------------|------|---------------------|
| 1   | 105-9038-03 | 1    | Grille              |
| 2   | 323-6       | 4    | Screw-HH            |
| 3   | 3296-29     | 5    | Nut-Lock, NI        |
| 4   | 106-9413-03 | 2    | Bar-Brake           |
| 5   | 105-9144-03 | 1    | Deflector-Exhaust   |
| 6   | 106-9418    | 1    | Lanyard             |
| 7   | 106-9412-03 | 2    | Bracket-Cable       |
| 8   | 106-9430    | 1    | Brake Shaft ASM     |
| 9   | 105-9140-03 | 1    | Handle-Brake        |
| 10  | 95-3703     | 1    | Washer-Spring, Wave |
| 11  | 3256-39     | 1    | Washer-Flat         |
| 12  | 256-117     | 2    | Bushing             |
| 13  | 3256-24     | 1    | Washer-Flat         |
| 14  | 323-18      | 1    | Screw-HH            |
| 15  | 106-9433    | 1    | Cable-Brake         |
| 16  | 106-9420    | 1    | Hood ASM            |
| 17  | 106-9408    | 1    | Hinge-Hood          |
| 18  | 3258-166    | 6    | Screw               |
| 19  | 3296-42     | 4    | Nut-Lock, NI        |
| 20  | 1-523420    | 2    | Bumper              |
| 21  | 106-9497-03 | 1    | Rod Latch ASM       |
| 22  | 3253-3      | 2    | Washer-Lock         |
| 23  | 3217-5      | 2    | Nut-Hex             |
| 24  | 105-7055    | 1    | Spring-Brake        |

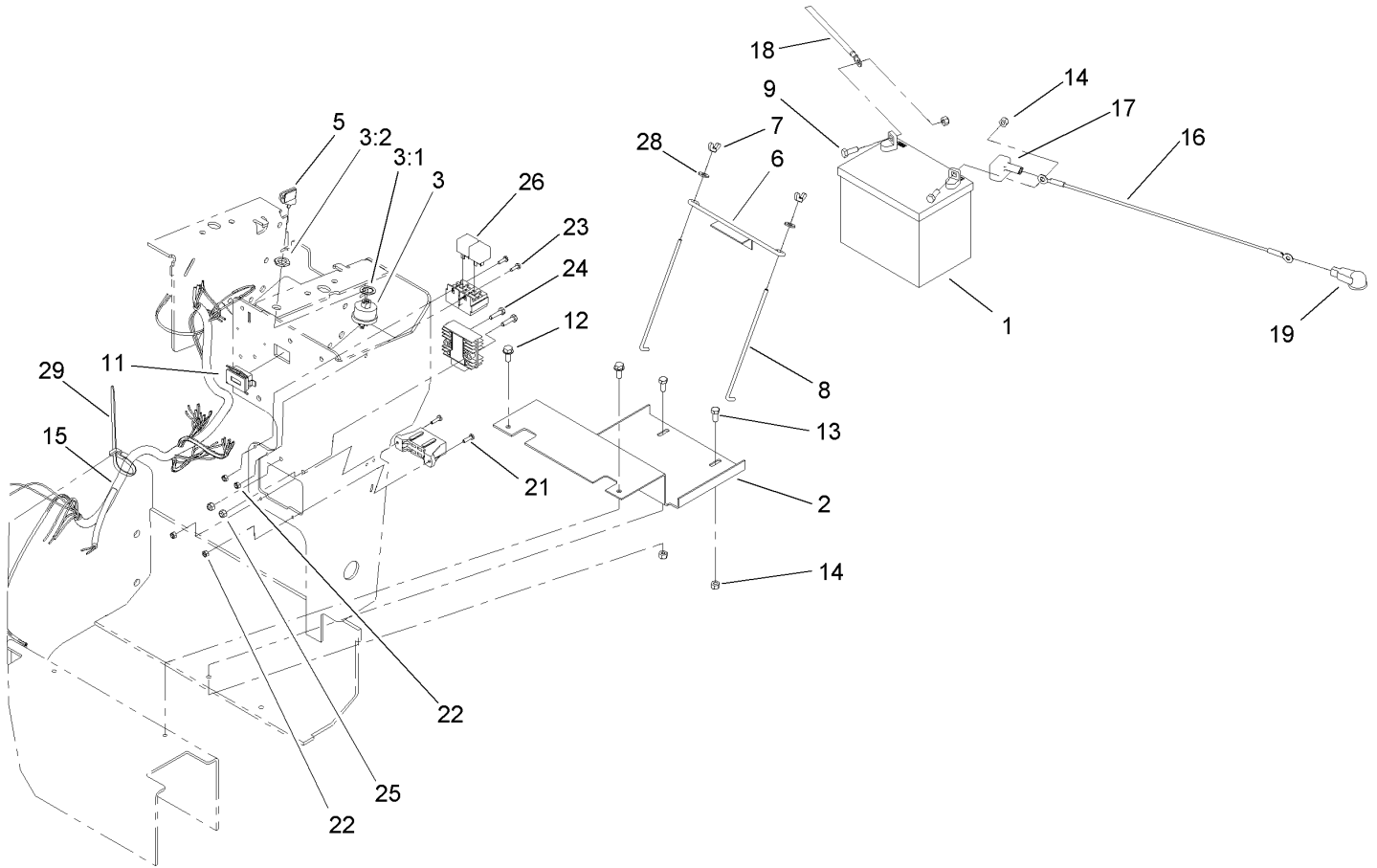
| Ref | Part No.    | Qty. | Description       |
|-----|-------------|------|-------------------|
| 25  | 105-7054    | 1    | Spring-Brake      |
| 27  | 322-10      | 2    | Screw-HH          |
| 28  | 42-3560     | 1    | Bolt-Shoulder     |
| 29  | 3296-56     | 1    | Nut-Lock, NI      |
| 30  | 100-6274    | 2    | Tube-Guide        |
| 31  | 3245-20     | 2    | Screw-HSH         |
| 32  | 321-4       | 6    | Screw-HH          |
| 33  | 3296-42     | 6    | Nut-Lock, NI      |
| 34  | 3256-78     | 2    | Washer-Flat       |
| 35  | 3296-39     | 4    | Nut-Lock, NI      |
| 37  | 322-4       | 3    | Screw-HH          |
| 38  | 62-9130     | 1    | Grip-Handle       |
| 39  | 106-5728    | 1    | Cam-Latch         |
| 40  | 104-0869    | 1    | Spring-Brake      |
| 41  | 106-9335    | 1    | Housing-Latch     |
| 42  | 106-9336    | 1    | Insert-Latch      |
| 43  | 3296-60     | 1    | Nut-Lock, NI      |
| 44  | 3253-3      | 1    | Washer-Lock       |
| 45  | 321-2       | 1    | Screw-HH          |
| 46  | 106-5729-03 | 1    | Bracket-Latch     |
| 47  | 80-9350     | 1    | Plate-Hot Surface |
| 48  | 3269-13     | 2    | Rivet-Pop         |
| 49  | 3256-23     | 3    | Washer-Flat       |
| 50  | 106-9500-03 | 1    | Support-Hood      |



### Hood and Brake Assembly (continued)

| Ref | Part No. | Qty. | Description     |
|-----|----------|------|-----------------|
| 51  | 3290-301 | 2    | Washer-Spring   |
| 52  | 106-9308 | 2    | Spacer          |
| 53  | 100-4697 | 1    | Tube-Convolute  |
| 55  | 3296-16  | 2    | Nut-Lock, NI    |
| 56  | 99-8970  | 1    | Key-Latch, Hood |
| 57  | 3256-22  | 2    | Washer-Flat     |

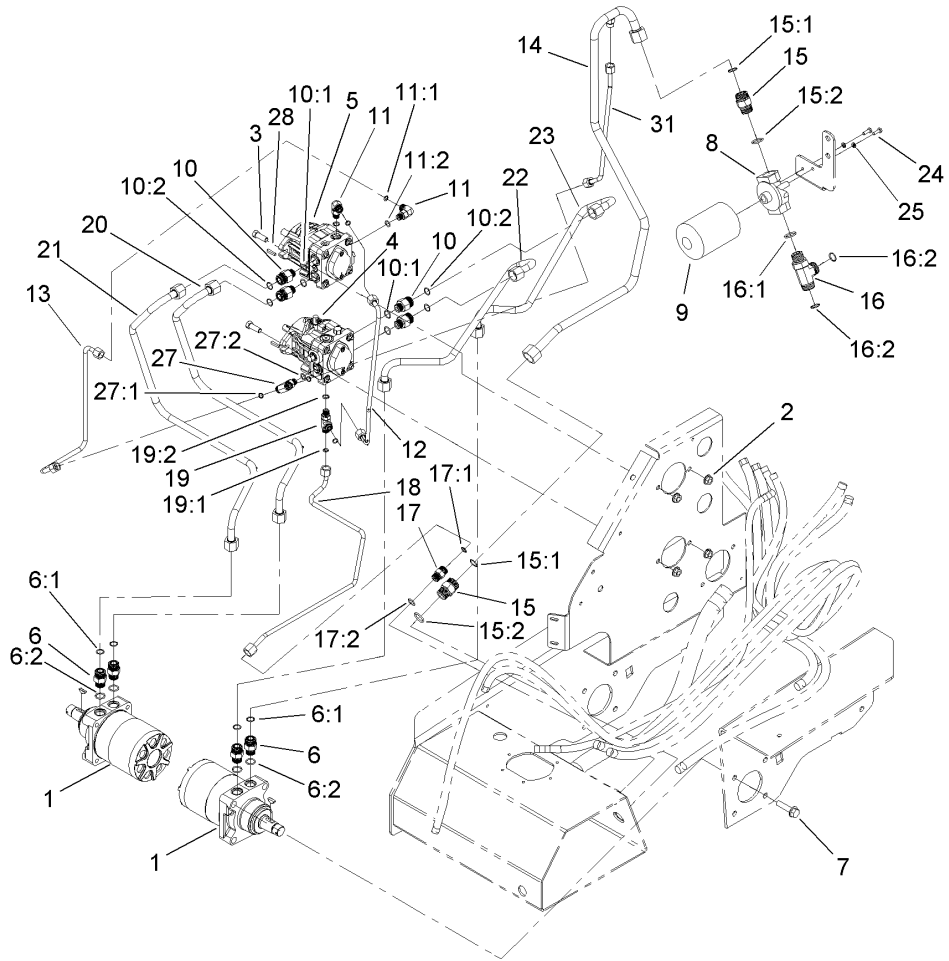
|  |  |  |  |
|--|--|--|--|
|  |  |  |  |
|--|--|--|--|



## Electrical Assembly

| Ref | Part No.    | Qty. | Description              |
|-----|-------------|------|--------------------------|
| 1   | 104-2492    | 1    | Battery                  |
| 2   | 104-8493-01 | 1    | Bracket-Battery          |
| 3   | 88-9830     | 1    | Key Switch ASM           |
| 3:1 | 3254-5      | 1    | Washer-Tooth             |
| 3:2 | 218-461     | 1    | Nut-HH                   |
| 5   | 63-8360     | 2    | Key-Ignition             |
| 6   | 113010      | 1    | Holddown-Battery         |
| 7   | 32103-22    | 2    | Nut-Wing                 |
| 8   | 99-5027     | 2    | Retainer-Battery         |
| 9   | 322-4       | 2    | Screw-HH                 |
| 11  | 104-8143    | 1    | Hourmeter                |
| 12  | 32144-70    | 2    | Screw-HH                 |
| 13  | 322-3       | 2    | Screw-HH                 |
| 14  | 3296-29     | 4    | Nut-Lock, NI             |
| 15  | 106-9436    | 1    | Harness-Wire             |
| 16  | 99-7404     | 1    | Cable-Positive           |
| 17  | 28-8080     | 1    | Boot-Terminal            |
| 18  | 1-413540    | 1    | Cable-Battery, Negative  |
| 19  | 93-3190     | 1    | Boot-Insulator, Terminal |
| 21  | 3250-13     | 2    | Screw-PPH                |
| 22  | 3296-2      | 4    | Nut-Lock                 |
| 23  | 3290-500    | 2    | Screw-PPH                |
| 24  | 321-6       | 2    | Screw-HH                 |
| 25  | 3296-42     | 2    | Nut-Lock, NI             |

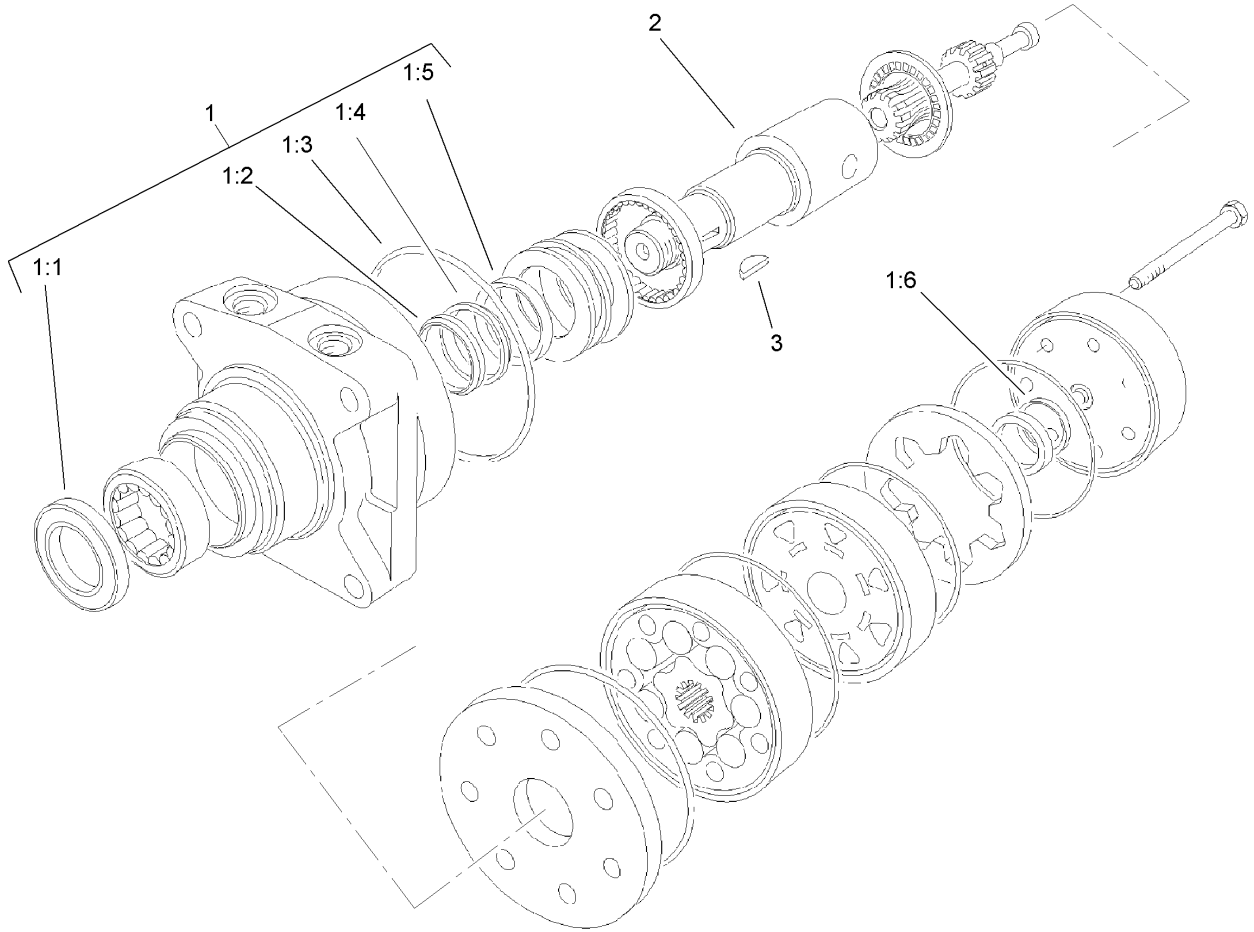
| Ref | Part No. | Qty. | Description |
|-----|----------|------|-------------|
| 26  | 98-7249  | 2    | Relay       |
| 28  | 3256-2   | 2    | Washer-Flat |
| 29  | 3290-378 | 2    | Tie-Cable   |



## Traction Hydraulic Assembly

| Ref  | Part No. | Qty. | Description              |
|------|----------|------|--------------------------|
| 1    | 104-8470 | 2    | Motor-Wheel, HYD         |
| 2    | 32128-42 | 4    | Nut-HF                   |
| 3    | 324-5    | 4    | Screw-HH                 |
| 4    | 106-9470 | 1    | Pump-HYD                 |
| 5    | 106-9471 | 1    | Pump-HYD                 |
| 6    | 340-7    | 4    | Adapter                  |
| 6:1  | 237-65   | 1    | O-Ring                   |
| 6:2  | 237-80   | 1    | O-Ring                   |
| 7    | 3234-27  | 8    | Screw-Flange             |
| 8    | 92-5821  | 1    | Filter Head ASM          |
| 9    | 54-0110  | 2    | Filter-Oil, Transmission |
| 10   | 340-155  | 4    | Fitting-Hyd, Straight    |
| 10:1 | 237-79   | 1    | O-Ring                   |
| 10:2 | 237-151  | 1    | O-Ring                   |
| 11   | 340-77   | 2    | Fitting-Hyd, 90 DEG      |
| 11:1 | 237-22   | 1    | O-Ring                   |
| 11:2 | 237-42   | 1    | O-Ring                   |
| 12   | 106-9445 | 1    | Hydraulic Tube ASM       |
| 13   | 106-9439 | 1    | Hydraulic Tube ASM       |
| 14   | 106-9442 | 1    | Hydraulic Tube ASM       |
| 15   | 340-9    | 2    | Fitting-Hyd, Straight    |
| 15:1 | 237-58   | 1    | O-Ring                   |
| 15:2 | 237-81   | 1    | O-Ring                   |
| 16   | 340-148  | 1    | Fitting-Tee              |

| Ref  | Part No. | Qty. | Description           |
|------|----------|------|-----------------------|
| 16:1 | 237-81   | 1    | O-Ring                |
| 16:2 | 237-58   | 2    | O-Ring                |
| 17   | 340-4    | 1    | Fitting-Hyd, Straight |
| 17:1 | 237-30   | 1    | O-Ring                |
| 17:2 | 237-79   | 1    | O-Ring                |
| 18   | 106-9440 | 1    | Hydraulic Tube ASM    |
| 19   | 340-86   | 1    | Fitting-Hyd, Tee      |
| 19:1 | 237-22   | 2    | O-Ring                |
| 19:2 | 237-42   | 1    | O-Ring                |
| 20   | 106-9429 | 1    | Hydraulic Tube ASM    |
| 21   | 106-9428 | 1    | Hydraulic Tube ASM    |
| 22   | 106-9423 | 1    | Hydraulic Tube ASM    |
| 23   | 106-9424 | 1    | Hydraulic Tube ASM    |
| 24   | 321-4    | 2    | Screw-HH              |
| 25   | 3253-3   | 2    | Washer-Lock           |
| 27   | 340-94   | 1    | Adapter               |
| 27:1 | 237-22   | 2    | O-Ring                |
| 27:2 | 237-42   | 1    | O-Ring                |
| 28   | 80-6090  | 2    | Key-Pump              |
| 31   | 106-9441 | 1    | Hydraulic Tube ASM    |

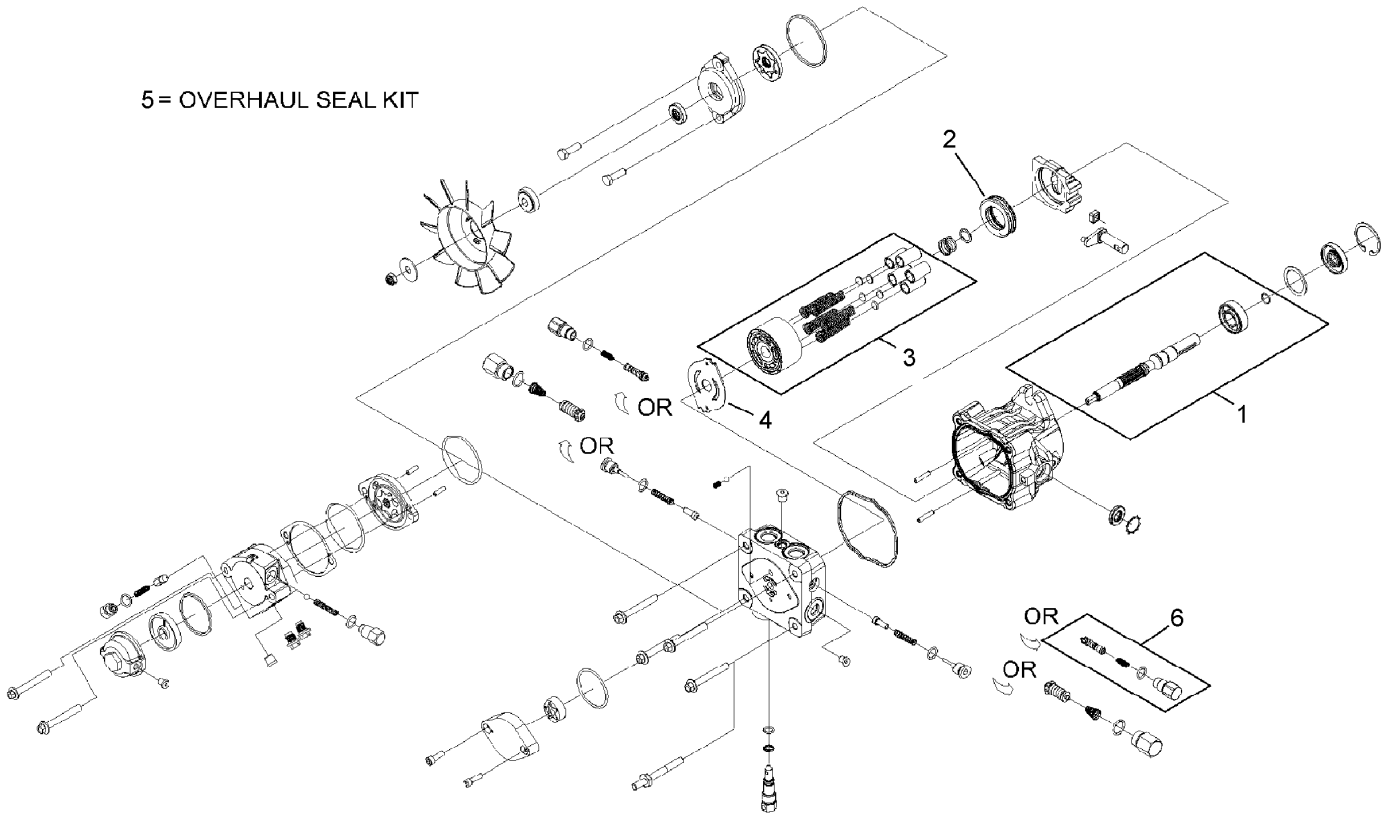


## Hydraulic Motor Assembly No. 104-8470

| Ref | Part No. | Qty. | Description         |
|-----|----------|------|---------------------|
| 1   | 100-6131 | 1    | Seal Kit            |
| 1:1 |          | 1    | Seal-Dirt And Water |
| 1:2 |          | 1    | Washer-Backup       |
| 1:3 |          | 5    | Seal-Ring           |
| 1:4 |          | 1    | Washer-Backup       |
| 1:5 |          | 1    | Seal-Inner          |
| 1:6 |          | 1    | Seal-Commutator     |
| 2   | 99-3090  | 1    | Shaft-Coupling      |
| 3   | 3257-42  | 1    | Key-Woodruff        |

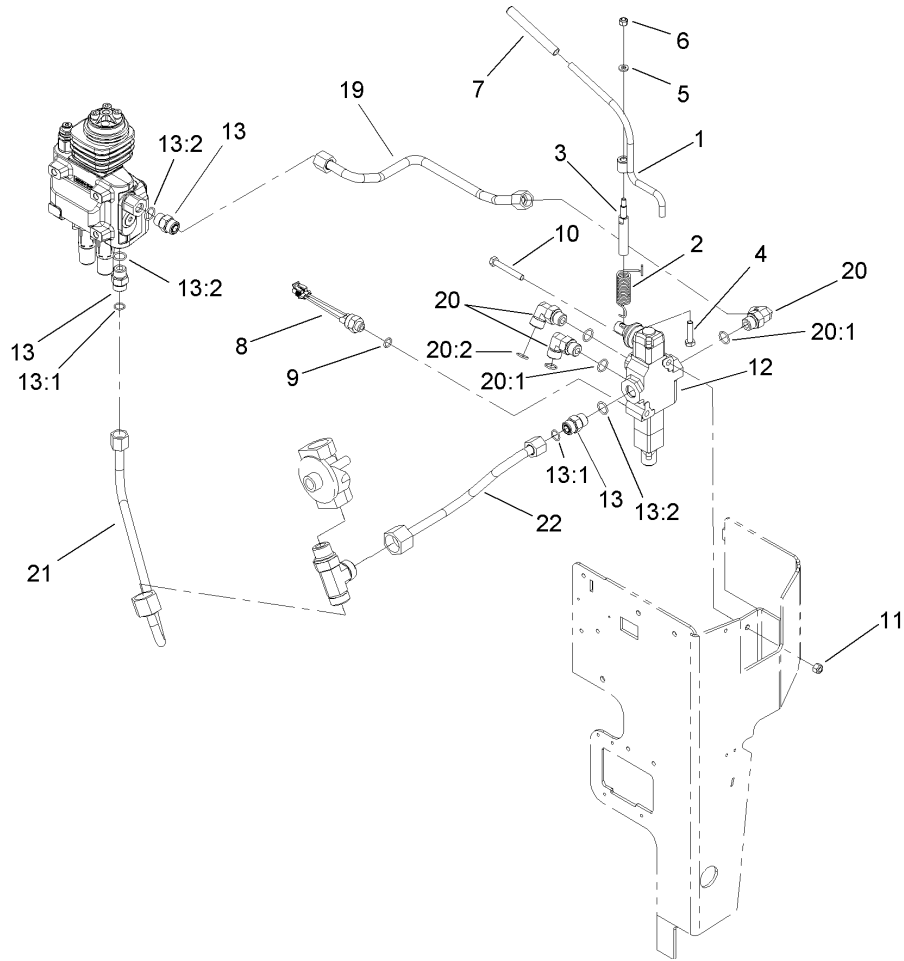






## Hydraulic Pump Assembly No. 106-9471

| Ref | Part No. | Qty. | Description        |
|-----|----------|------|--------------------|
| 1   | 103-2664 | 1    | Input Shaft Kit    |
| 2   | 103-2665 | 1    | Thrust Bearing Kit |
| 3   | 103-2666 | 1    | Cylinder Block Kit |
| 4   | 105-6185 | 1    | Plate-Valve        |
| 5   | 105-6184 | 1    | Seal Overhaul Kit  |
| 6   | 106-9498 | 1    | Shock Valve Kit    |

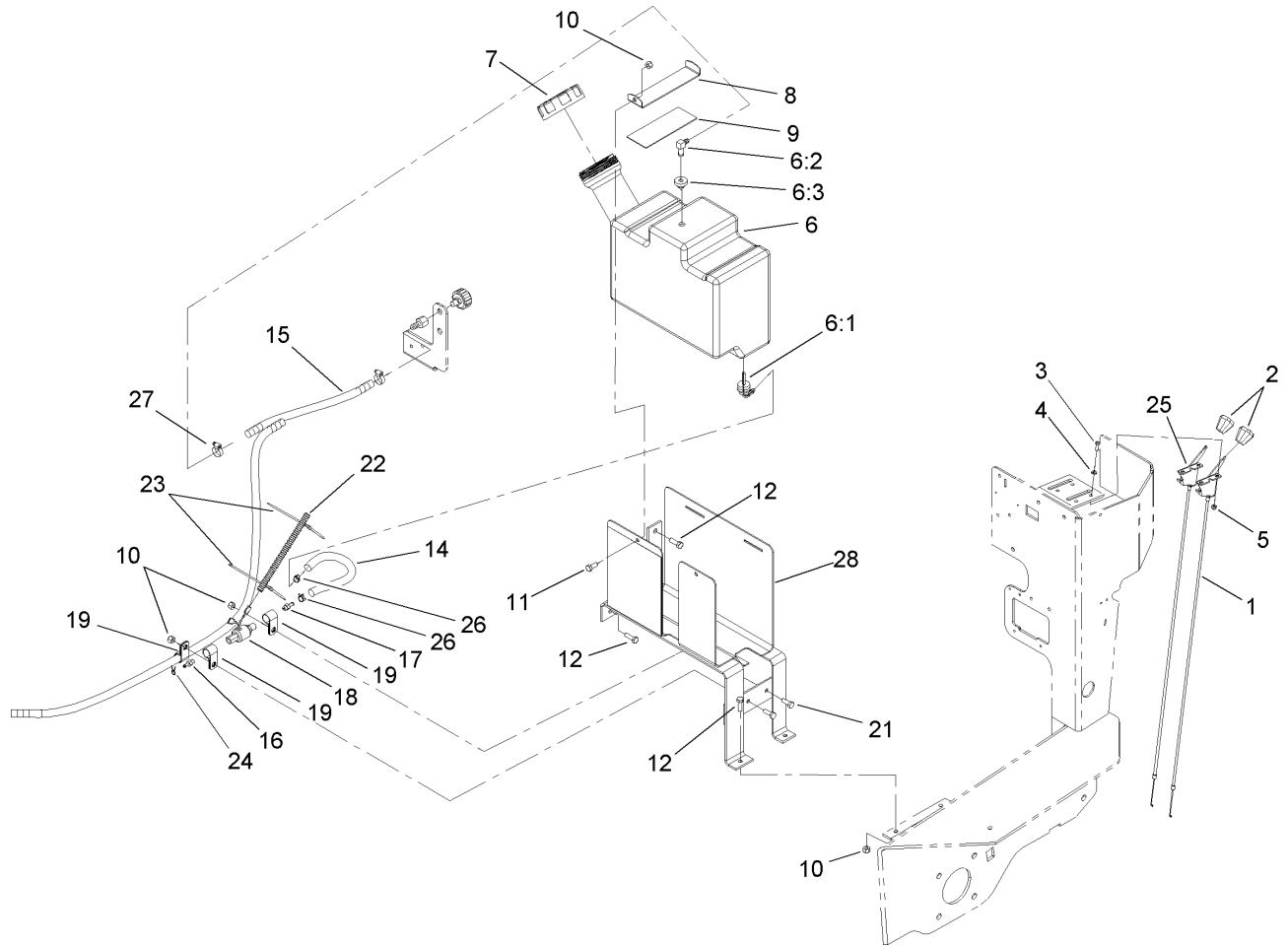


## Principle Hydraulic Assembly

| Ref  | Part No. | Qty. | Description           |
|------|----------|------|-----------------------|
| 1    | 100-4246 | 1    | Auxiliary Lever ASM   |
| 2    | 100-6129 | 1    | Spring-Torsion        |
| 3    | 104-2827 | 1    | Spacer-Hiflo          |
| 4    | 48-7740  | 1    | Screw                 |
| 5    | 3256-16  | 1    | Washer-Flat           |
| 6    | 3296-42  | 1    | Nut-Lock, NI          |
| 7    | 92-6798  | 1    | Cap-Rod, Tilt         |
| 8    | 72-4310  | 1    | Switch-Ball           |
| 9    | 237-42   | 1    | O-Ring                |
| 10   | 322-11   | 2    | Screw-HH              |
| 11   | 3296-29  | 2    | Nut-Lock, NI          |
| 12   | 106-9405 | 1    | Valve-1 Spool         |
| 13   | 340-4    | 3    | Fitting-Hyd, Straight |
| 13:1 | 237-30   | 1    | O-Ring                |
| 13:2 | 237-79   | 1    | O-Ring                |
| 19   | 106-9437 | 1    | Hydraulic Tube ASM    |
| 20   | 340-98   | 3    | Fitting-Hyd, 90 DEG   |
| 20:1 | 237-79   | 1    | O-Ring                |
| 20:2 | 237-30   | 1    | O-Ring                |
| 21   | 106-9444 | 1    | Hydraulic Tube ASM    |
| 22   | 106-9443 | 1    | Hydraulic Tube ASM    |

|  |  |  |  |
|--|--|--|--|
|  |  |  |  |
|--|--|--|--|

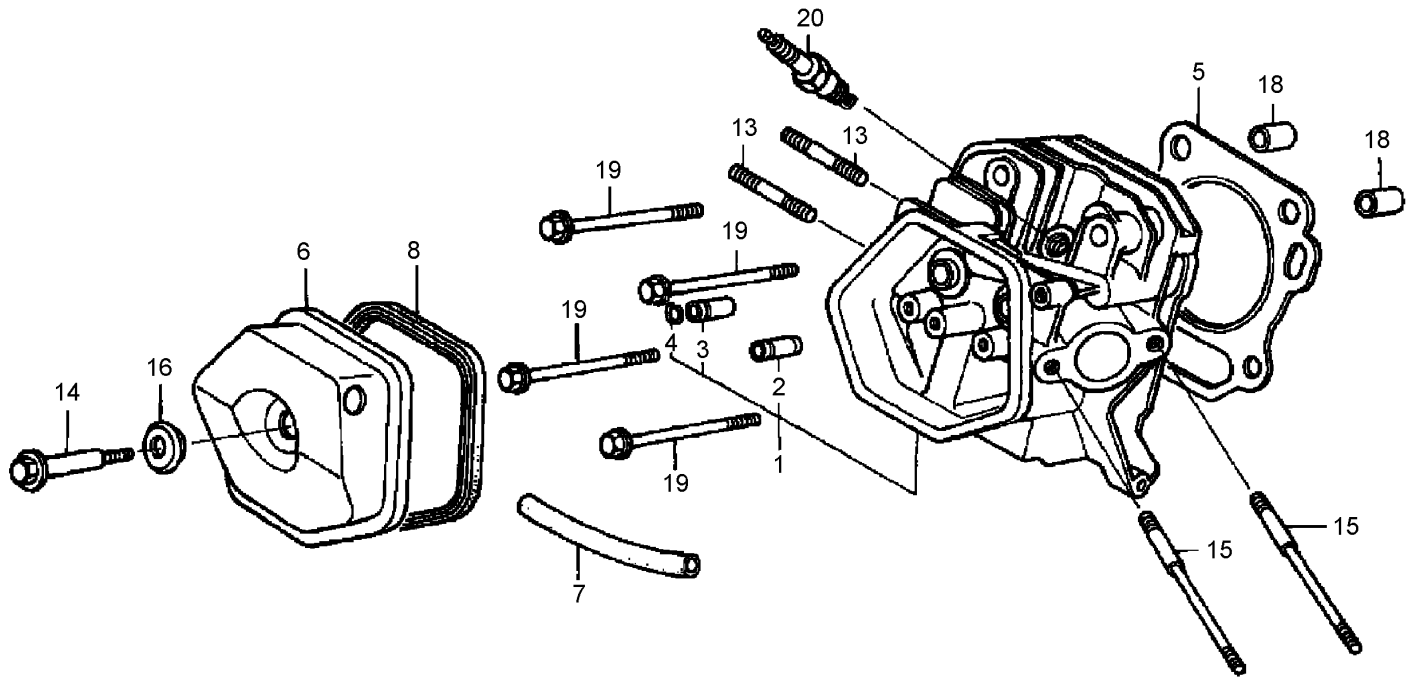




## Fuel Tank Assembly

| Ref | Part No.    | Qty. | Description            |
|-----|-------------|------|------------------------|
| 1   | 106-9435    | 1    | Cable-Choke            |
| 2   | 66-0120     | 2    | Knob                   |
| 3   | 3290-134    | 4    | Screw                  |
| 4   | 3256-21     | 4    | Washer-Flat            |
| 5   | 3296-2      | 4    | Nut-Lock               |
| 6   | 106-9460    | 1    | Fuel Tank ASM          |
| 6:1 | 103-2605    | 1    | Fitting-Fuel, Bulkhead |
| 6:2 | 100-1597    | 1    | Fitting-90 Degree      |
| 6:3 | 46-6560     | 1    | Bushing                |
| 7   | 95-4192     | 1    | Unleaded Gas Cap ASM   |
| 8   | 106-9457-03 | 2    | Strap-Tank             |
| 9   | 106-9488    | 2    | Felt-Strap             |
| 10  | 3296-29     | 8    | Nut-Lock, NI           |
| 11  | 322-3       | 2    | Screw-HH               |
| 12  | 322-5       | 4    | Screw-HH               |
| 14  | 104-4119    | 1    | Hose-Fuel              |
| 15  | 104-4848    | 1    | Hose-Fuel              |
| 16  | 354-22      | 1    | Fitting-Barb           |
| 17  | 304-73      | 1    | Connector-Hose         |
| 18  | 106-9499    | 1    | Valve-Shutoff, Fuel    |
| 19  | 2412-81     | 3    | Clamp-R                |
| 21  | 322-4       | 2    | Screw-HH               |
| 22  | 106-9504    | 1    | Cover-Brace            |
| 23  | 3290-381    | 2    | Tie-Cable              |

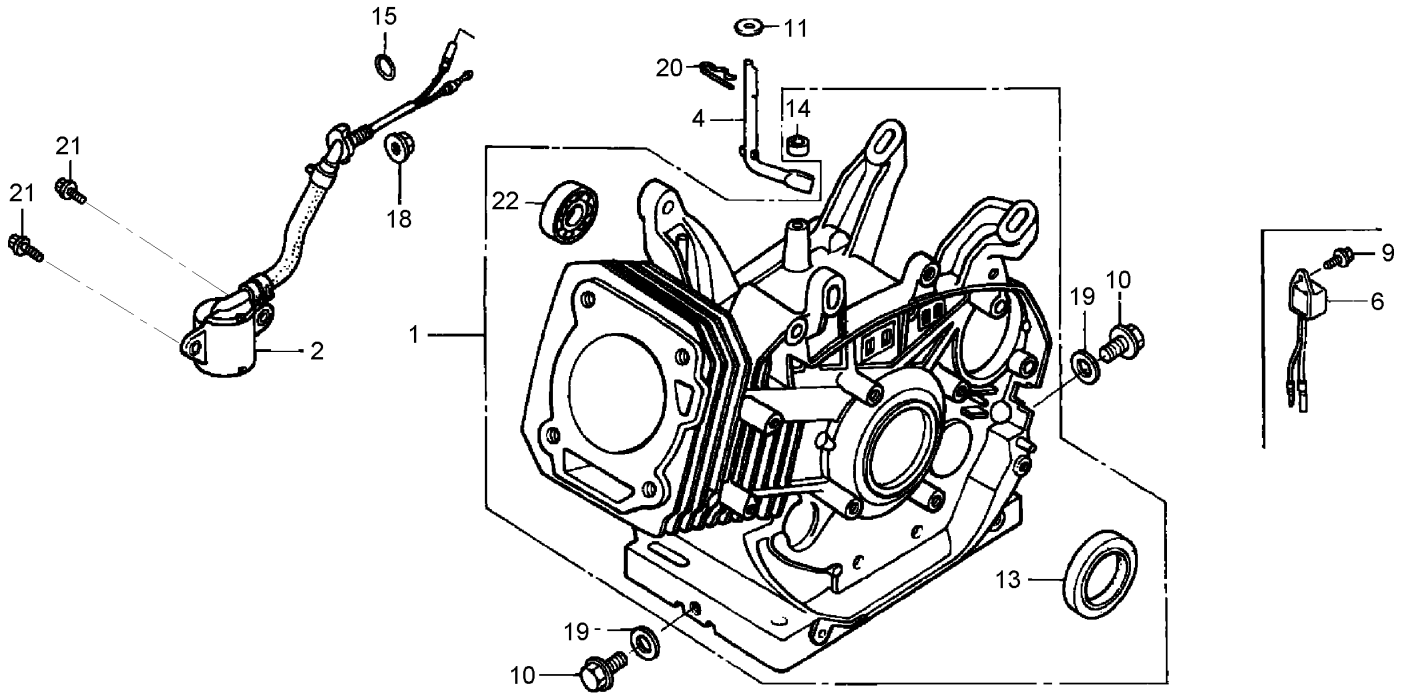
| Ref | Part No. | Qty. | Description      |
|-----|----------|------|------------------|
| 24  | 2412-79  | 1    | Clamp-Hose       |
| 25  | 106-9434 | 1    | Cable-Throttle   |
| 26  | 2412-98  | 2    | Clamp            |
| 27  | 2412-36  | 1    | Clamp-Hose       |
| 28  | 106-9486 | 1    | Tank Bracket ASM |



## Cylinder Head Assembly

| Ref | Part No.        | Qty. | Description                |
|-----|-----------------|------|----------------------------|
| ❶   | 12200-ZF6-406   | 1    | Cylinder Head              |
| ❷   | 12204-ZE2-306   | 1    | Guide-Valve                |
| ❸   | 12205-ZE2-305   | 1    | Guide-Valve, Exhaust       |
| ❹   | 12216-ZE2-300   | 1    | Clip-Guide, Valve          |
| ❺   | 12251-ZF6-W00   | 1    | Gasket-Cylinder Head       |
| ❻   | 12310-ZE2-020   | 1    | Cover-Head                 |
| ❼   | 95005-11001-30M | 1    | Bulk Hose-Vacuum           |
| ❽   | 12391-ZE2-020   | 1    | Gasket-Cylinder Head Cover |
| ❿   | 92900-08032-0E  | 2    | Bolt 2-Stud                |
| ⓫   | 90014-ZE2-000   | 1    | Bolt-Head Cover            |
| ⓬   | 90042-ZE8-000   | 2    | Bolt-Stud                  |
| ⓭   | 90441-ZE2-010   | 1    | Washer-Head Cover          |
| ⓮   | 94301-12200     | 2    | Pin A-Dowel                |
| ⓯   | 95701-10080-00  | 4    | Bolt-Flange                |

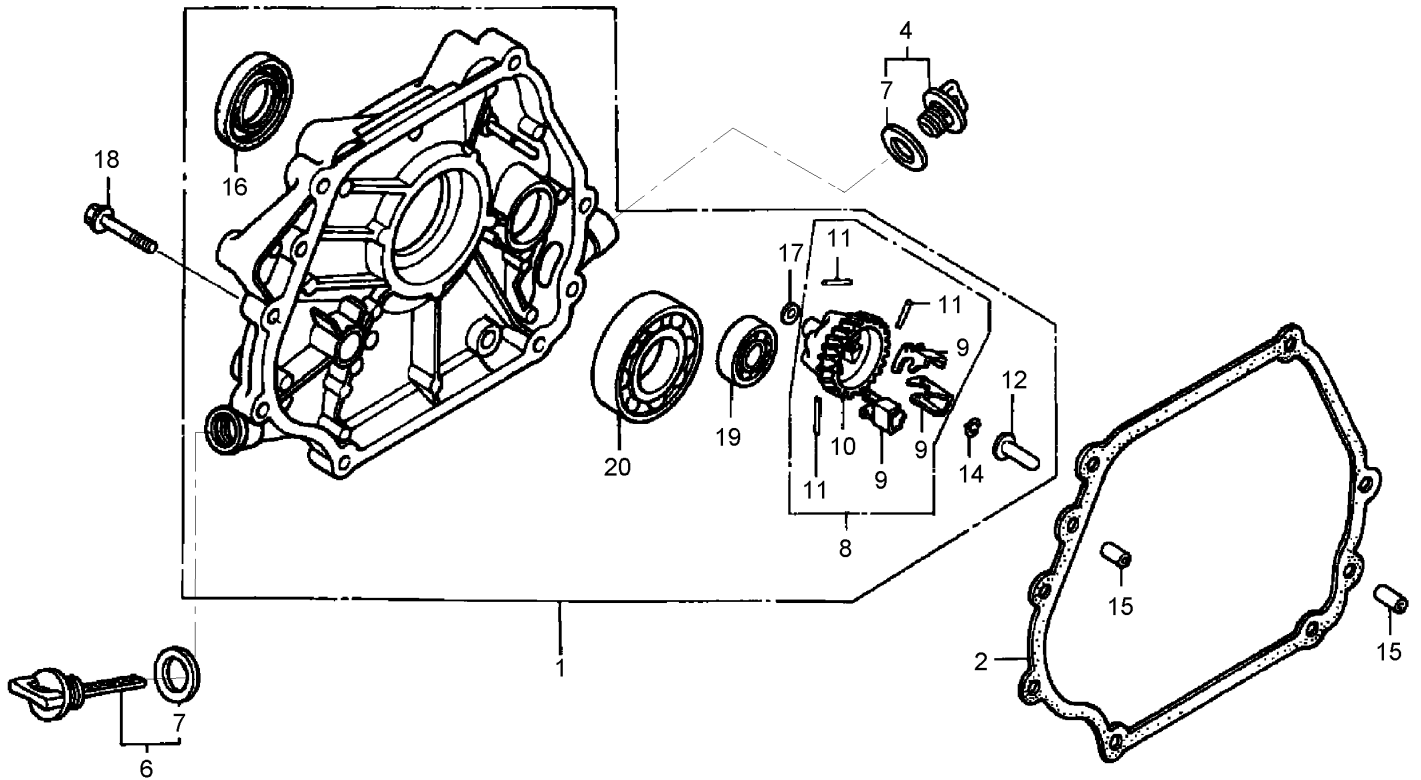
| Ref | Part No.    | Qty. | Description                 |
|-----|-------------|------|-----------------------------|
| ⓰   | 98079-55846 | 1    | Spark Plug (Bpr5es) (Ngk)   |
| ⓱   | 98079-55855 | 1    | Spark Plug (W16epu) (Denso) |
| ⓲   | 98079-56846 | 1    | Spark Plug (Bpr6es) (Ngk)   |



### Cylinder Barrel Assembly

| Ref | Part No.      | Qty. | Description          |
|-----|---------------|------|----------------------|
| 1   | 12000-ZF6-425 | 1    | Cylinder ASM         |
| 2   | 15510-ZE2-043 | 1    | Switch ASM-Oil Level |
| 4   | 16541-ZE3-010 | 1    | Shaft-Governor Arm   |
| 6   | 34150-ZH7-003 | 1    | Alert Unit-Oil       |
| 9   | 90013-883-000 | 1    | Bolt-Flange          |
| 10  | 90131-883-000 | 2    | Bolt-Drain Plug      |
| 10  | 90131-896-650 | 2    | Bolt-Drain Plug      |
| 11  | 90446-KE1-000 | 1    | Washer               |
| 13  | 91201-ZE3-004 | 1    | Oil Seal             |
| 14  | 91201-ZE9-003 | 1    | Oil Seal             |
| 14  | 91203-952-771 | 1    | Oil Seal             |
| 15  | 91353-671-003 | 1    | O-Ring               |
| 18  | 94050-10000   | 1    | Nut-Flange           |
| 19  | 94109-12000   | 2    | Washer-Drain Plug    |
| 20  | 94251-10000   | 1    | Pin-Lock             |

| Ref | Part No.       | Qty. | Description         |
|-----|----------------|------|---------------------|
| 21  | 95701-06012-00 | 2    | Bolt, Flange        |
| 22  | 96100-62020-00 | 1    | Bearing-Radial Ball |



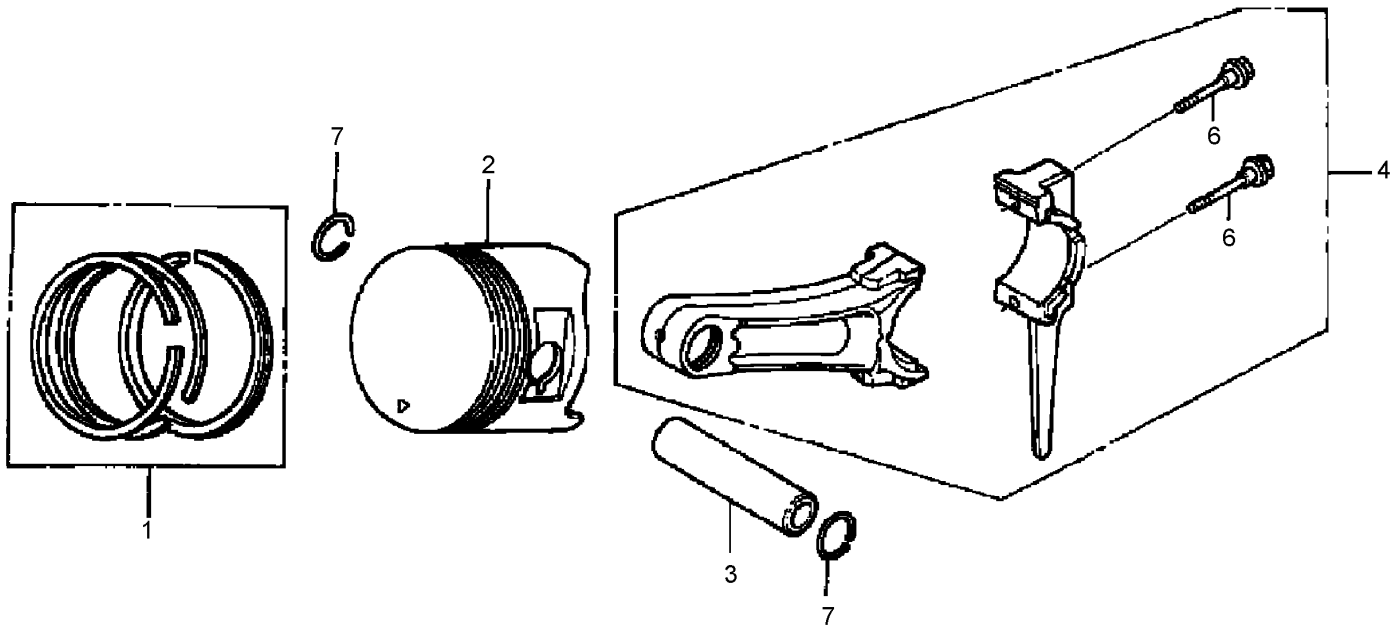
## Crankcase Cover Assembly

| Ref | Part No.      | Qty. | Description            |
|-----|---------------|------|------------------------|
| 1   | 11300-ZE3-604 | 1    | Cover ASM-Crankcase    |
| 2   | 11381-ZE3-801 | 1    | Gasket-Case Cover      |
| 4   | 15600-ZG4-003 | 1    | Cap ASM-Oil Filler     |
| 6   | 15600-735-003 | 1    | Cap ASM-Oil Filler     |
| 7   | 15625-ZE1-003 | 2    | Gasket-Oil Filler Cap  |
| 8   | 16510-ZE3-000 | 1    | Governor ASM           |
| 9   | 16511-ZE8-000 | 3    | Weight-Governor        |
| 10  | 16512-ZE3-000 | 1    | Holder-Governor Weight |
| 11  | 16513-ZE2-000 | 3    | Pin-Governor Weight    |
| 12  | 16531-Z0A-000 | 1    | Slider-Governor        |
| 14  | 90602-ZE1-000 | 1    | Clip-Governor Holder   |
| 15  | 90701-HC4-000 | 2    | Pin-Dowel              |
| 16  | 91201-ZE3-004 | 1    | Oil Seal               |
| 17  | 94101-06800   | 1    | Washer                 |

| Ref | Part No.       | Qty. | Description         |
|-----|----------------|------|---------------------|
| 18  | 95701-08040-00 | 7    | Bolt-Flange         |
| 19  | 96100-62020-00 | 1    | Bearing-Radial Ball |
| 20  | 96100-62070-00 | 1    | Bearing-Radial Ball |



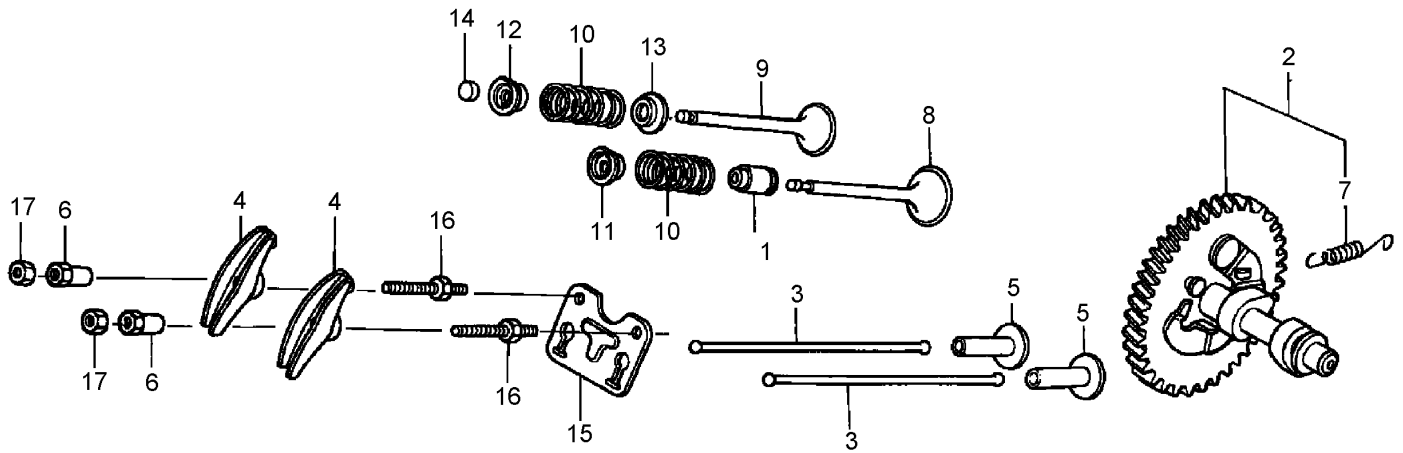




### Piston Assembly

| Ref | Part No.      | Qty. | Description                      |
|-----|---------------|------|----------------------------------|
| ①   | 13010-ZF6-003 | 1    | Ring Set, Piston (Std)           |
| ①   | 13011-ZF6-003 | 1    | Ring Set, Piston (Os 0.25)       |
| ①   | 13012-ZF6-003 | 1    | Ring Set, Piston (Os 0.50)       |
| ①   | 13012-ZF6-005 | 1    | Ring Set, Piston (Os 0.50)       |
| ①   | 13013-ZF6-003 | 1    | Ring Set, Piston (0.75) (Nippon) |
| ②   | 13101-ZF6-W00 | 1    | Piston (Std)                     |
| ②   | 13102-ZF6-W00 | 1    | Piston (Os 0.25)                 |
| ②   | 13103-ZF6-W00 | 1    | Piston (Os 0.50)                 |
| ②   | 13104-ZF6-W00 | 1    | Piston (0.75)                    |
| ③   | 13111-ZF6-W00 | 1    | Pin, Piston                      |
| ④   | 13200-ZE3-020 | 1    | Rod ASM-Connecting (Std)         |
| ④   | 13200-ZE3-315 | 1    | Rod ASM-Connecting (Us 0.25)     |
| ⑥   | 90001-ZE8-000 | 2    | Bolt-Connecting Rod              |

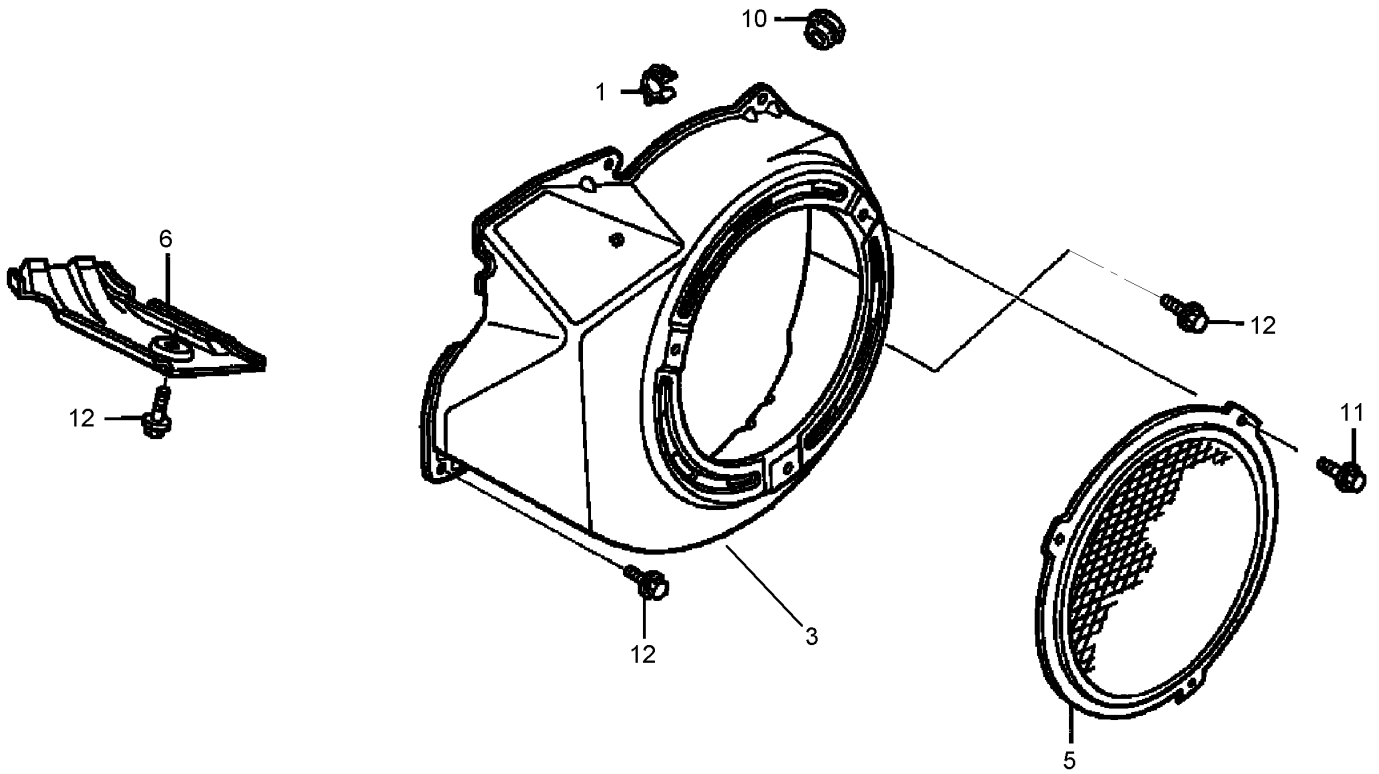
| Ref | Part No.      | Qty. | Description            |
|-----|---------------|------|------------------------|
| ⑦   | 90601-ZE3-000 | 2    | Clip-Piston Pin (20mm) |



## Camshaft Assembly

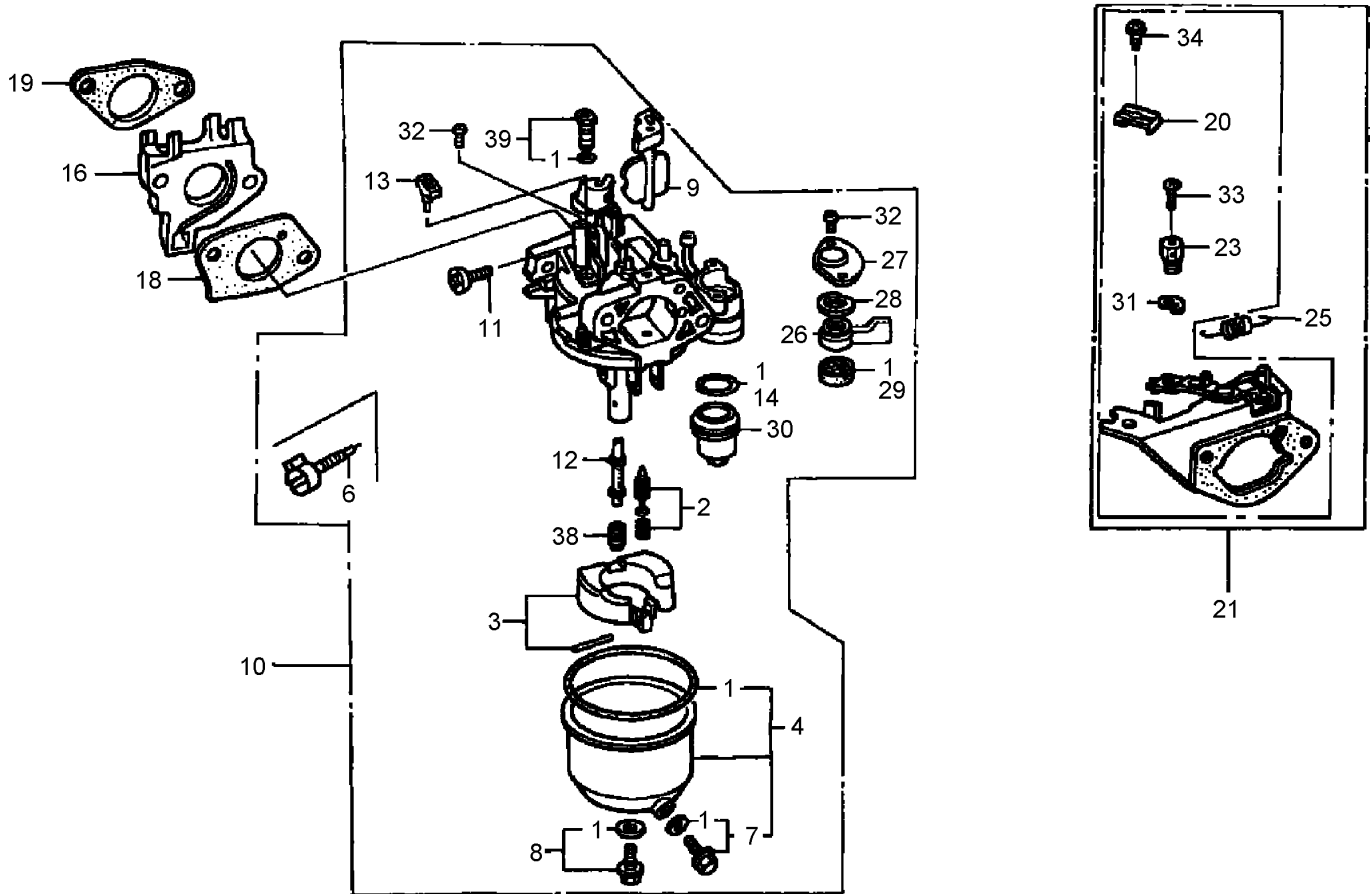
| Ref | Part No.      | Qty. | Description           |
|-----|---------------|------|-----------------------|
| 1   | 12209-ZE8-003 | 1    | Seal, Valve Stem      |
| 2   | 14100-ZF6-W01 | 1    | Camshaft ASM          |
| 3   | 14410-ZE3-013 | 2    | Rod, Push             |
| 4   | 14431-ZE2-010 | 2    | Arm, Valve Rocker     |
| 5   | 14441-ZE2-000 | 2    | Lifter, Valve         |
| 6   | 14451-ZE1-013 | 2    | Pivot, Rocker Arm     |
| 7   | 14568-ZE1-000 | 1    | Spring, Weight Return |
| 8   | 14711-ZE3-000 | 1    | Valve-Intake          |
| 9   | 14721-ZE3-000 | 1    | Valve-Exhaust         |
| 10  | 14751-ZE2-003 | 2    | Spring-Valve          |
| 11  | 14771-ZE2-000 | 1    | Retainer, In. Valve   |
| 12  | 14773-ZE2-000 | 1    | Retainer, Ex. Valve   |
| 13  | 14775-ZE2-010 | 1    | Seat-Valve Spring     |

| Ref | Part No.      | Qty. | Description       |
|-----|---------------|------|-------------------|
| 14  | 14781-ZE2-000 | 1    | Rotator-Valve     |
| 15  | 14791-ZE2-010 | 1    | Plate-Push Rod    |
| 16  | 90012-ZE0-010 | 2    | Bolt, Pivot (8mm) |
| 17  | 90206-ZE1-000 | 2    | Nut-Pivot Adj     |



### Fan Cover Assembly

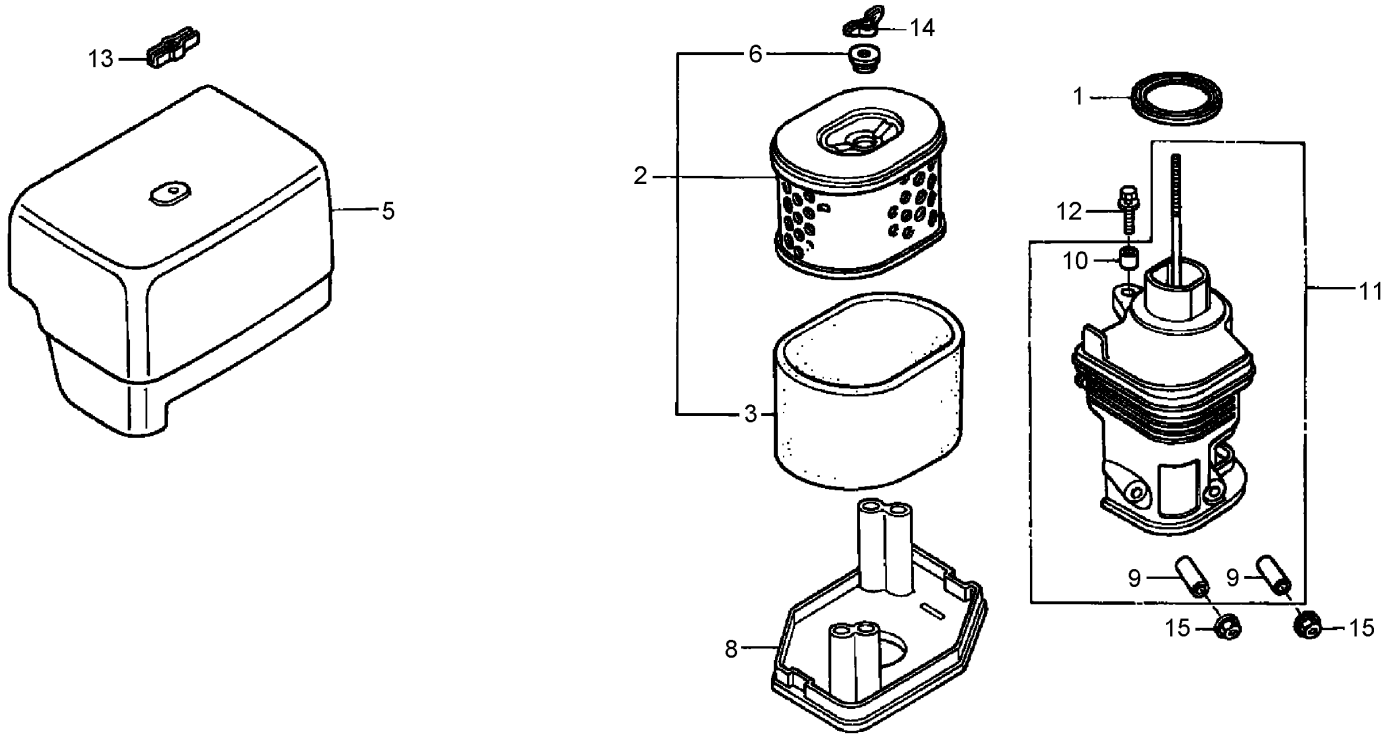
| Ref | Part No.        | Qty. | Description            |  |  |  |  |
|-----|-----------------|------|------------------------|--|--|--|--|
| 1   | 16731-ZE2-003   | 1    | Clip-Tube              |  |  |  |  |
| 3   | 19610-ZE3-010ZL | 1    | Cover-Fan R280 (Power) |  |  |  |  |
| 5   | 19620-ZE3-811   | 1    | Protector-Fan Cover    |  |  |  |  |
| 6   | 19631-ZE3-W00   | 1    | Shroud                 |  |  |  |  |
| 10  | 81329-567-020   | 1    | Grommet-Drain Hole     |  |  |  |  |
| 11  | 90008-ZE2-003   | 3    | Bolt-Flange            |  |  |  |  |
| 12  | 90013-883-000   | 6    | Bolt-Flange            |  |  |  |  |



## Carburetor Assembly

| Ref | Part No.      | Qty. | Description            | Ref | Part No.      | Qty. | Description             |
|-----|---------------|------|------------------------|-----|---------------|------|-------------------------|
| 1   | 16010-ZE2-812 | 1    | Gasket Set             | 16  | 16211-ZF6-000 | 1    | Insulator-Carburetor    |
| 2   | 16011-ZA0-931 | 1    | Valve Set-Float        | 18  | 16221-ZF6-800 | 1    | Gasket-Carburetor       |
| 3   | 16013-ZA0-931 | 1    | Float Set              | 19  | 16223-ZE3-W00 | 1    | Gasket-Insulator        |
| 4   | 16015-ZE8-005 | 1    | Chamber Set-Float      | 20  | 16576-891-000 | 1    | Holder-Cable            |
| 6   | 16016-ZH7-W01 | 1    | Screw Set              | 21  | 16590-ZE2-812 | 1    | Stay ASM-Choke (Remote) |
| 7   | 16024-ZE1-811 | 1    | Screw Set-Drain        | 23  | 16594-883-010 | 1    | Holder-Wire             |
| 8   | 16028-ZE0-005 | 1    | Screw Set B            | 25  | 16615-ZE2-810 | 1    | Spring-Return           |
| 9   | 16044-ZE3-W20 | 1    | Choke Set              | 26  | 16953-ZE1-812 | 1    | Lever-Valve             |
| 10  | 16100-ZF6-V01 | 1    | Carburetor ASM (Be85b) | 27  | 16954-ZE1-812 | 1    | Plate-Lever Setting     |
| 11  | 16124-ZE0-005 | 1    | Screw-Throttle Stop    | 28  | 16956-ZE1-811 | 1    | Spring-Valve Lever      |
| 12  | 16166-ZF6-V00 | 1    | Nozzle-Main            | 29  | 16957-ZE1-812 | 1    | Gasket-Valve            |
| 13  | 16172-ZE3-W10 | 1    | Collar-Set             | 30  | 16967-ZE0-811 | 1    | Cup-Fuel Strainer       |
| 14  | 16173-001-004 | 1    | Gasket-Fuel Strainer   | 31  | 90605-230-000 | 1    | Circlip (5mm)           |
|     |               |      |                        | 32  | 93500-03006   | 2    | Screw-Pan (3x6)         |

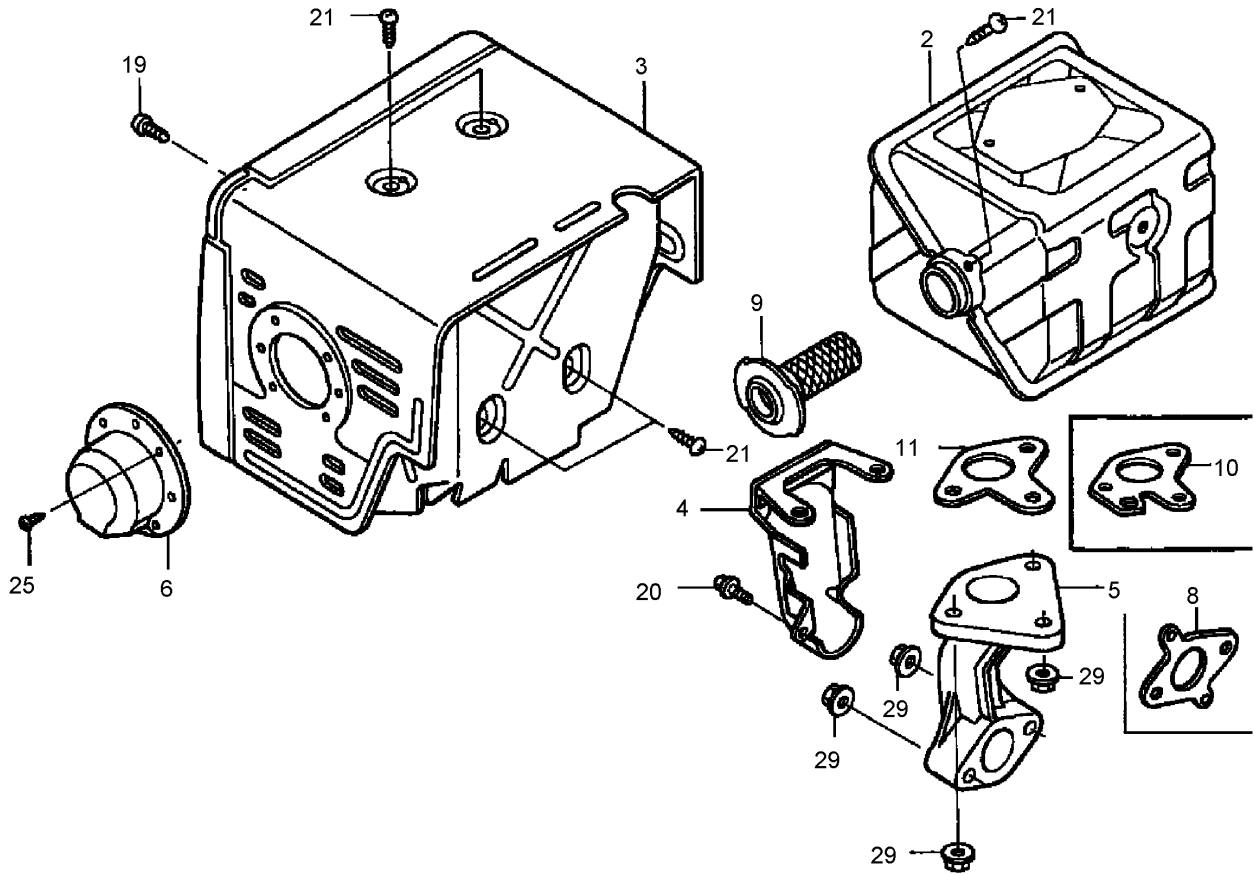




## Air Cleaner Assembly

| Ref | Part No.      | Qty. | Description              |
|-----|---------------|------|--------------------------|
| ①   | 16271-ZE2-010 | 1    | Gasket-Elbow             |
| ②   | 17210-ZE3-505 | 1    | Element-Air Cleaner      |
| ③   | 17218-ZE3-000 | 1    | Filter (Outer)           |
| ⑤   | 17231-ZE3-W01 | 1    | Cover-Air Cleaner        |
| ⑥   | 17232-891-000 | 1    | Grommet-Air Cleaner      |
| ⑧   | 17235-ZH9-N00 | 1    | Nose-Muffler             |
| ⑨   | 17238-ZE2-310 | 2    | Collar-Air Cleaner       |
| ⑩   | 17239-ZE1-000 | 1    | Collar B-Air Cleaner     |
| ⑪   | 17410-ZH9-N00 | 1    | Elbow-Air Cleaner        |
| ⑫   | 90009-ZE2-003 | 1    | Bolt-Washer (6x22)       |
| ⑬   | 90203-ZA0-800 | 1    | Wingnut (6mm)            |
| ⑭   | 90325-044-000 | 1    | Wingnut-Tool Box Setting |
| ⑮   | 94050-06000   | 2    | Nut-Flange (6mm)         |

|  |  |  |  |
|--|--|--|--|
|  |  |  |  |
|--|--|--|--|

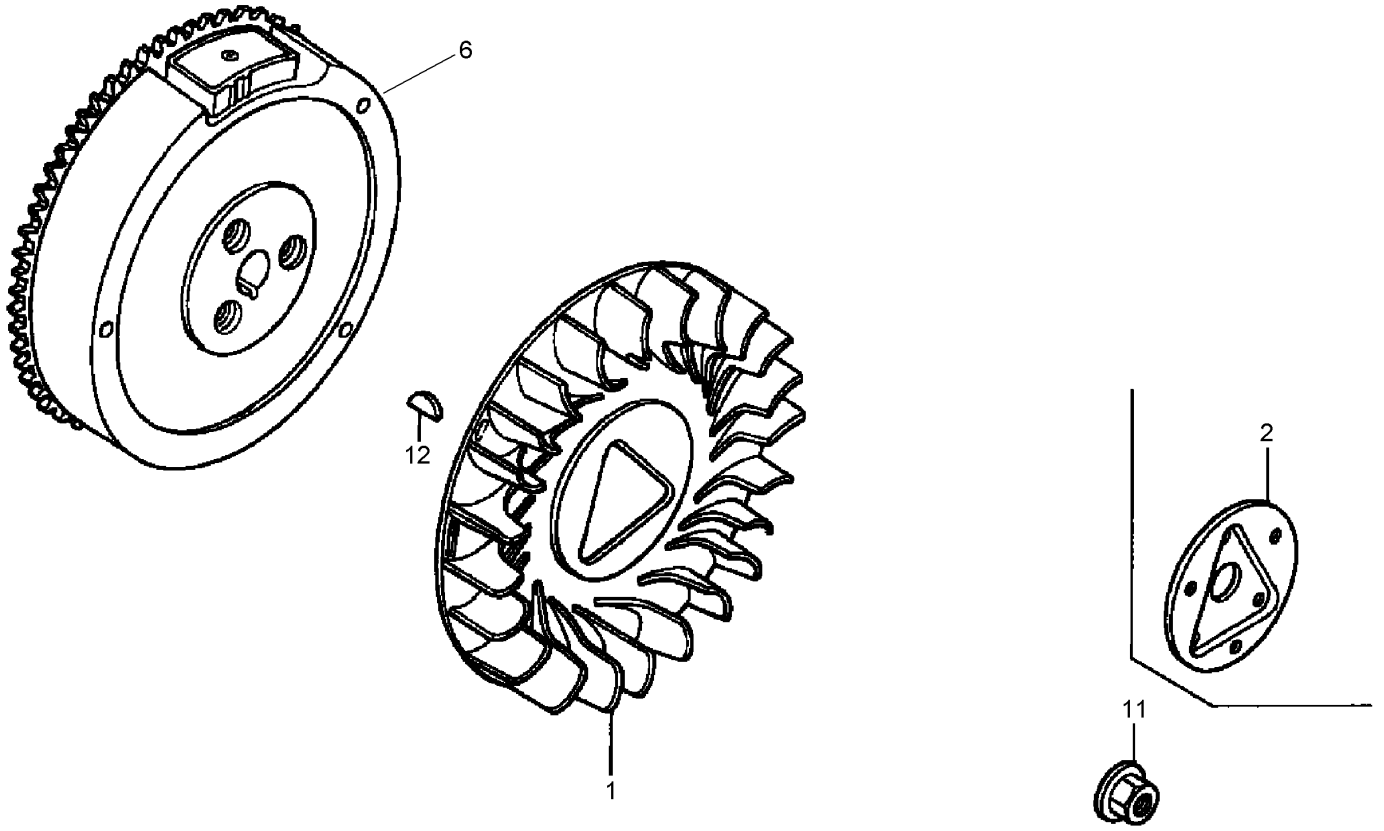


### Muffler Assembly

| Ref | Part No.      | Qty. | Description               |
|-----|---------------|------|---------------------------|
| 2   | 18310-ZE2-W61 | 1    | Muffler (100db)           |
| 3   | 18320-ZE2-W61 | 1    | Protector-Muffler         |
| 4   | 18323-ZE3-W40 | 1    | Protector-Exhaust Pipe    |
| 5   | 18330-ZE2-W00 | 1    | Pipe-Exhaust              |
| 6   | 18331-ZE3-810 | 1    | Cap-Muffler               |
| 8   | 18333-ZF6-W01 | 1    | Gasket-Exhaust Pipe       |
| 9   | 18355-ZE2-W00 | 1    | Arrester-Spark            |
| 10  | 18381-ZE2-W10 | 1    | Gasket-Muffler (Arrester) |
| 11  | 18381-ZE2-800 | 1    | Gasket-Muffler            |
| 19  | 90006-ZE2-000 | 1    | Screw-Tapping (6x10)      |
| 20  | 90013-883-000 | 1    | Bolt-Flange               |
| 21  | 90050-ZE1-000 | 4    | Screw-Tapping (5x8)       |
| 25  | 90055-ZE1-000 | 3    | Screw-Tapping (4x6)       |
| 29  | 94050-08000   | 5    | Nut-Flange (8mm)          |

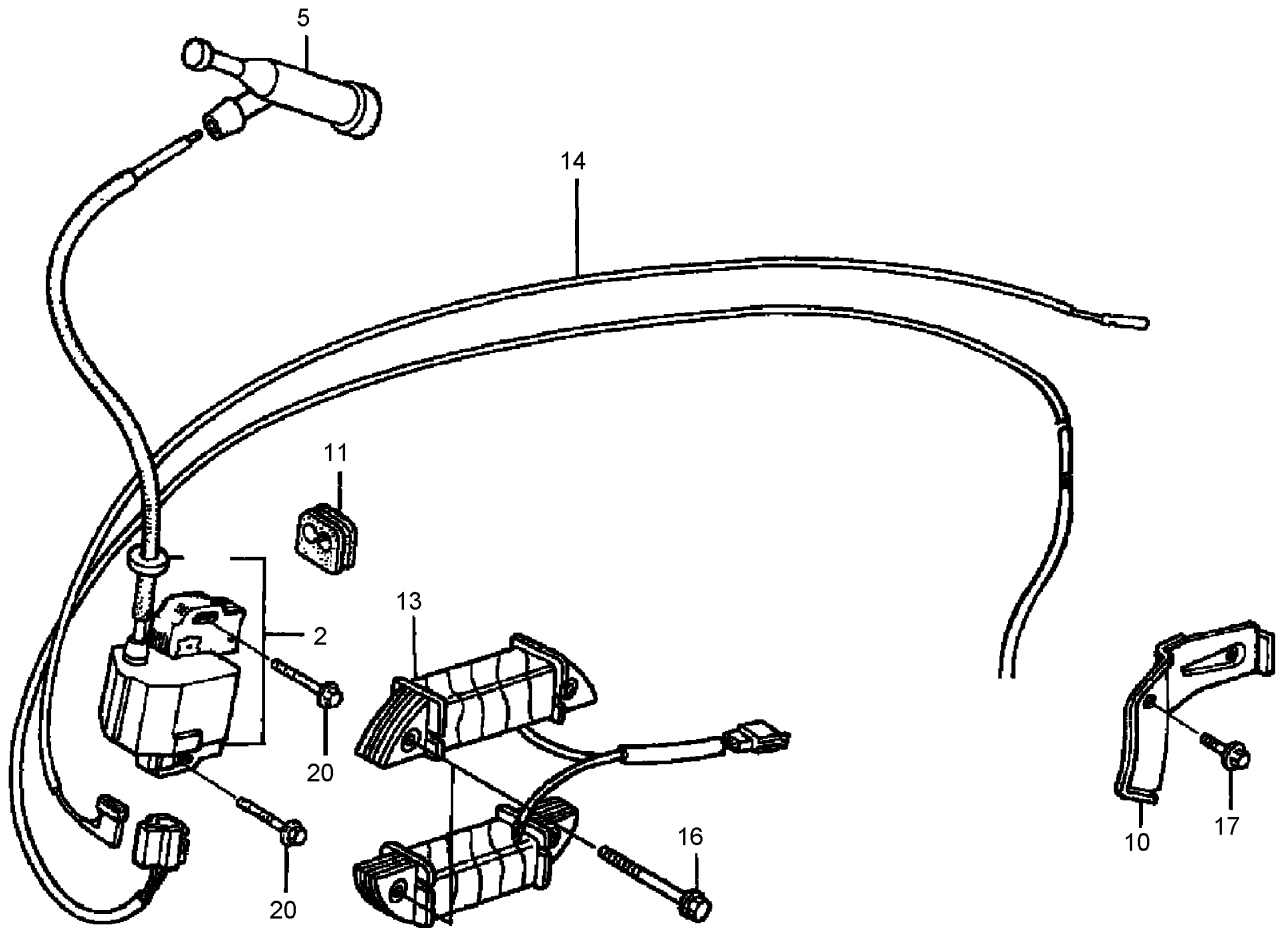
|  |  |  |  |
|--|--|--|--|
|  |  |  |  |
|--|--|--|--|





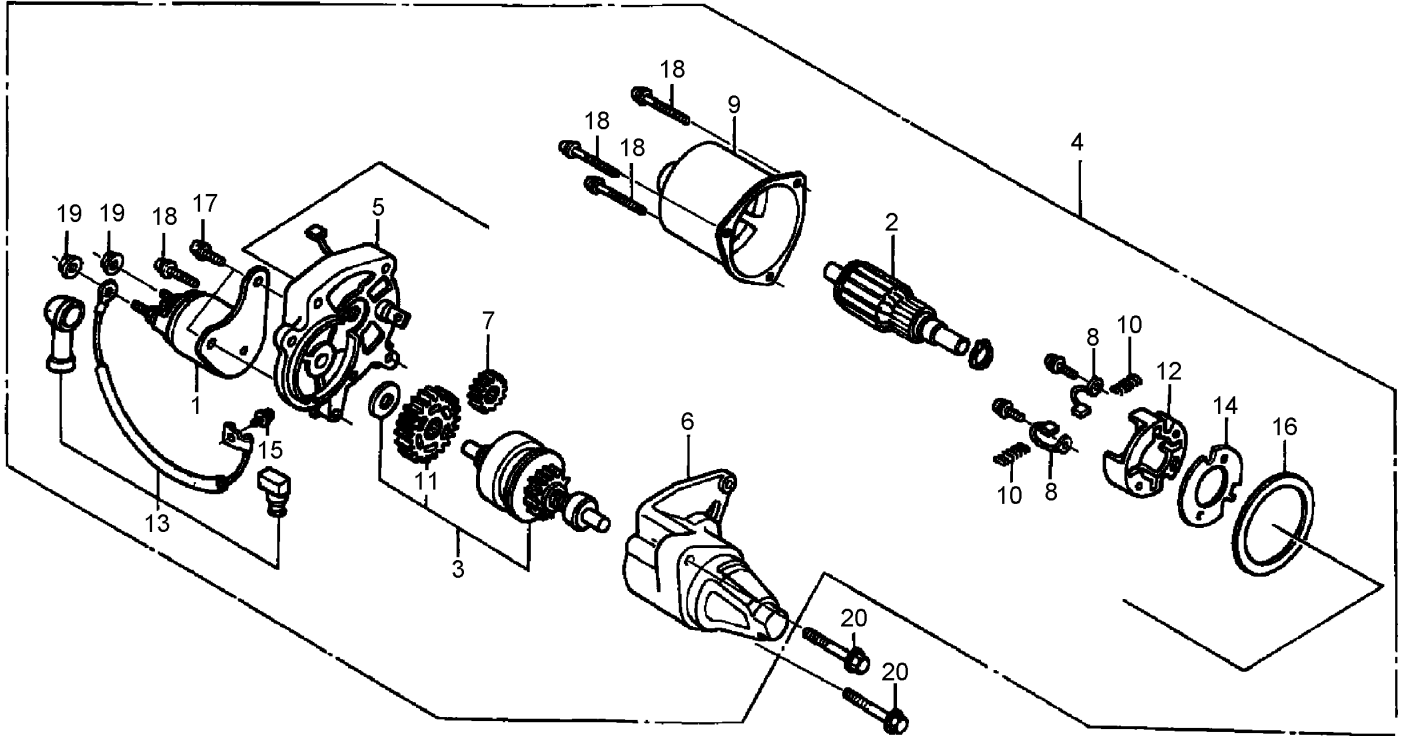
### Flywheel Assembly

| Ref | Part No.      | Qty. | Description               |  |  |  |  |
|-----|---------------|------|---------------------------|--|--|--|--|
| ①   | 19511-ZE3-000 | 1    | Fan-Cooling               |  |  |  |  |
| ②   | 19512-ZE2-000 | 1    | Plate-Cooling Fan Setting |  |  |  |  |
| ⑥   | 31100-ZE3-W01 | 1    | Flywheel (4 Pole)         |  |  |  |  |
| ⑪   | 90201-ZE3-V00 | 1    | Nut-Special (16mm) (1)    |  |  |  |  |
| ⑫   | 90741-ZE2-000 | 1    | Key-Woodruff (25x18)      |  |  |  |  |



### Ignition Coil Assembly

| Ref | Part No.      | Qty. | Description               |  |  |  |  |
|-----|---------------|------|---------------------------|--|--|--|--|
| 2   | 30500-ZF6-W02 | 1    | Coil ASM-Ignition         |  |  |  |  |
| 5   | 30700-ZE1-013 | 1    | Cap ASM- Noise Suppressor |  |  |  |  |
| 10  | 31511-ZE3-000 | 1    | Clamp-Wire                |  |  |  |  |
| 11  | 31512-ZE2-000 | 1    | Grommet-Wire              |  |  |  |  |
| 13  | 31630-ZE2-861 | 1    | Coil ASM-Charge (10a)     |  |  |  |  |
| 14  | 36101-ZE2-701 | 1    | Wire-Stop Switch (430mm)  |  |  |  |  |
| 16  | 90012-888-000 | 4    | Bolt-Flange (6x40)        |  |  |  |  |
| 17  | 90013-883-000 | 1    | Bolt-Flange               |  |  |  |  |
| 20  | 90015-883-000 | 2    | Bolt-Flange (6x28)        |  |  |  |  |

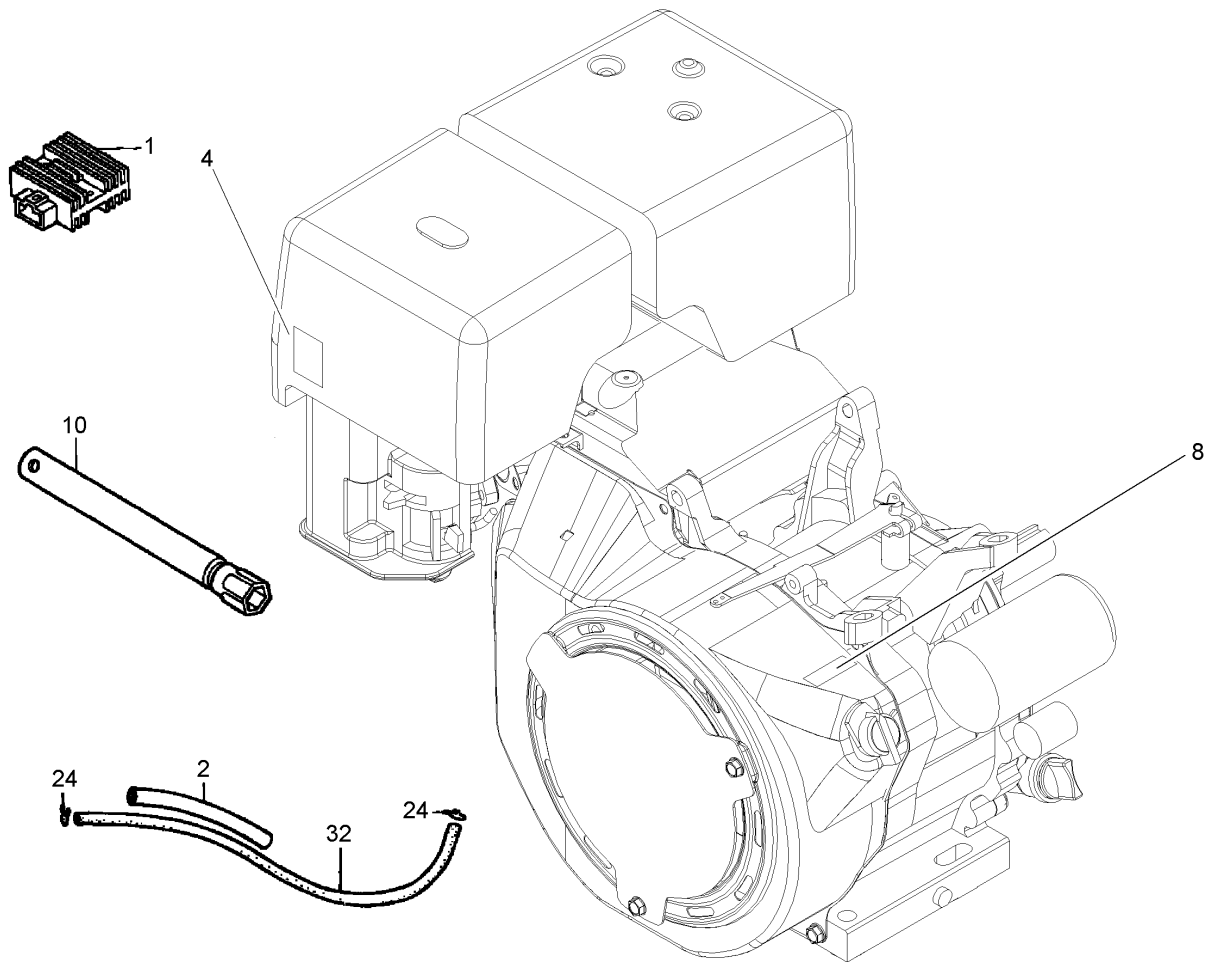


## Starter Motor Assembly

| Ref | Part No.      | Qty. | Description         |
|-----|---------------|------|---------------------|
| ①   | 31204-ZA0-003 | 1    | Contactora ASM      |
| ②   | 31206-ZE3-003 | 1    | Armature            |
| ③   | 31207-ZE3-003 | 1    | Clutch-Overrunning  |
| ④   | 31210-ZE3-013 | 1    | Motor Unit-Starter  |
| ⑤   | 31211-ZE2-003 | 1    | Bracket-Center      |
| ⑥   | 31212-ZE3-003 | 1    | Bracket-Fr          |
| ⑦   | 31213-ZE2-003 | 1    | Gear-Drive Pinion   |
| ⑧   | 31215-ZE2-003 | 2    | Brush               |
| ⑨   | 31218-ZE3-003 | 1    | Yoke                |
| ⑩   | 31219-ZE2-003 | 4    | Spring-Brush Return |
| ⑪   | 31222-ZE3-791 | 1    | Gear-Reduction      |
| ⑫   | 31231-ZE2-003 | 1    | Holder-Brush        |
| ⑬   | 31232-ZE3-003 | 1    | Wire-Water Cover    |

| Ref | Part No.       | Qty. | Description        |
|-----|----------------|------|--------------------|
| ⑭   | 31233-ZE2-003  | 1    | Insulator          |
| ⑮   | 90110-ZE2-003  | 1    | Screw-Washer (4x6) |
| ⑯   | 91601-ZE2-003  | 1    | Gasket             |
| ⑰   | 90007-ZE2-003  | 2    | Bolt-Washer (5x14) |
| ⑱   | 93892-05032-08 | 4    | Screw-Washer (5x3) |
| ⑲   | 94070-06080    | 2    | Nut-Washer (6mm)   |
| ⑳   | 95701-08035-08 | 2    | Bolt-Flange (8x35) |





### Miscellaneous Part Assembly

| Ref | Part No.        | Qty. | Description                    |  |  |  |  |
|-----|-----------------|------|--------------------------------|--|--|--|--|
| ①   | 31600-ZE2-861   | 1    | Rectifier ASM-Regulator        |  |  |  |  |
| ②   | 16854-ZH8-000   | 1    | Rubber-Supporter (107mm)       |  |  |  |  |
| ④   | 87528-ZE2-810   | 1    | Mark-Choke (External)          |  |  |  |  |
| ⑧   | 87532-ZH8-810   | 1    | Mark, Oil Alert (E)            |  |  |  |  |
| ⑩   | 89218-ZE1-000   | 1    | Wrench-Spark Plug              |  |  |  |  |
| ⑳   | 95002-02080     | 2    | Clip-Tube (B8)                 |  |  |  |  |
| ㉓   | 95001-45003-60M | 1    | Hose-Fuel (4.5x3000) (4.5x235) |  |  |  |  |

## NOTES

## NOTES

