



Dingo[®] TX 413 Compact Utility Loader

Model No. 22308 - 240000201 and up.

Parts Catalog

Ordering Replacement Parts

To order replacement parts, please supply the part number, the quantity, and the description of each part desired.

Understanding Reference Numbers

Each Identified part in an illustration has a reference number. The reference number for a part also appears in the parts list, along with other information about the part.

This catalog uses two special reference number formats, one to indicate parts in a service assembly and another to indicate the quantity of a given part in an illustration.

Service Assembly Reference Numbers

Parts in service assemblies have reference numbers in the form a:b. The a represents the reference number of the entire service assembly and the b represents a sequential number unique to each part within the service assembly.

For example, a wheel assembly might be identified by reference number 6, the tire by 6:1, the valve by 6:2, and the wheel by 6:3. When you order the assembly identified by reference number 6, you receive all parts identified by reference numbers 6:1, 6:2, and 6:3. However, you may also order any part individually. Reference numbers of this type appear in illustrations and in part lists.

Reference Numbers Indicating Quantity

In an illustration, if a reference number indicates more than one part, the reference number has the form nX y. The n represents the quantity of the part, the X is the multiplication symbol, and the y represents the reference number.

For example, in an illustration, the reference number 2X 37 means that two of the parts identified by reference number 37 are indicated.

Contents

| Description | Page | Description | Page |
|---------------------------------------|----------|-----------------------------|----------|
| Frame Assembly | 3 | Cylinder Head Assembly | 22 |
| Track and Traction Assembly | 5 | Cylinder Barrel Assembly | 23 |
| Engine and Drive Assembly | 6 | Crankcase Cover Assembly | 24 |
| Loader Arm and Quick Attach Assembly | 7 | Crankshaft Assembly | 25 |
| Loader Arm Hydraulic Assembly | 8 | Piston Assembly | 26 |
| Valve Assembly No. 106-9406 | 9 | Camshaft Assembly | 27 |
| Traction Control Assembly | 10 | Fan Cover Assembly | 28 |
| Control Panel Assembly | 11 | Carburetor Assembly | 29 |
| Hood and Brake Assembly | 12 | Air Cleaner Assembly | 31 |
| Electrical Assembly | 14 | Muffler Assembly | 32 |
| Traction Hydraulic Assembly | 15 | Flywheel Assembly | 33 |
| Hydraulic Motor Assembly No. 104-8470 | 16 | Ignition Coil Assembly | 34 |
| Hydraulic Pump Assembly No. 106-9470 | 17 | Starter Motor Assembly | 35 |
| Hydraulic Pump Assembly No. 106-9471 | 18 | Control Assembly | 36 |
| Principle Hydraulic Assembly | 19 | Miscellaneous Part Assembly | 37 |
| Spool Valve Assembly No. 106-9405 | 20 | | |
| Fuel Tank Assembly | 21 | | |

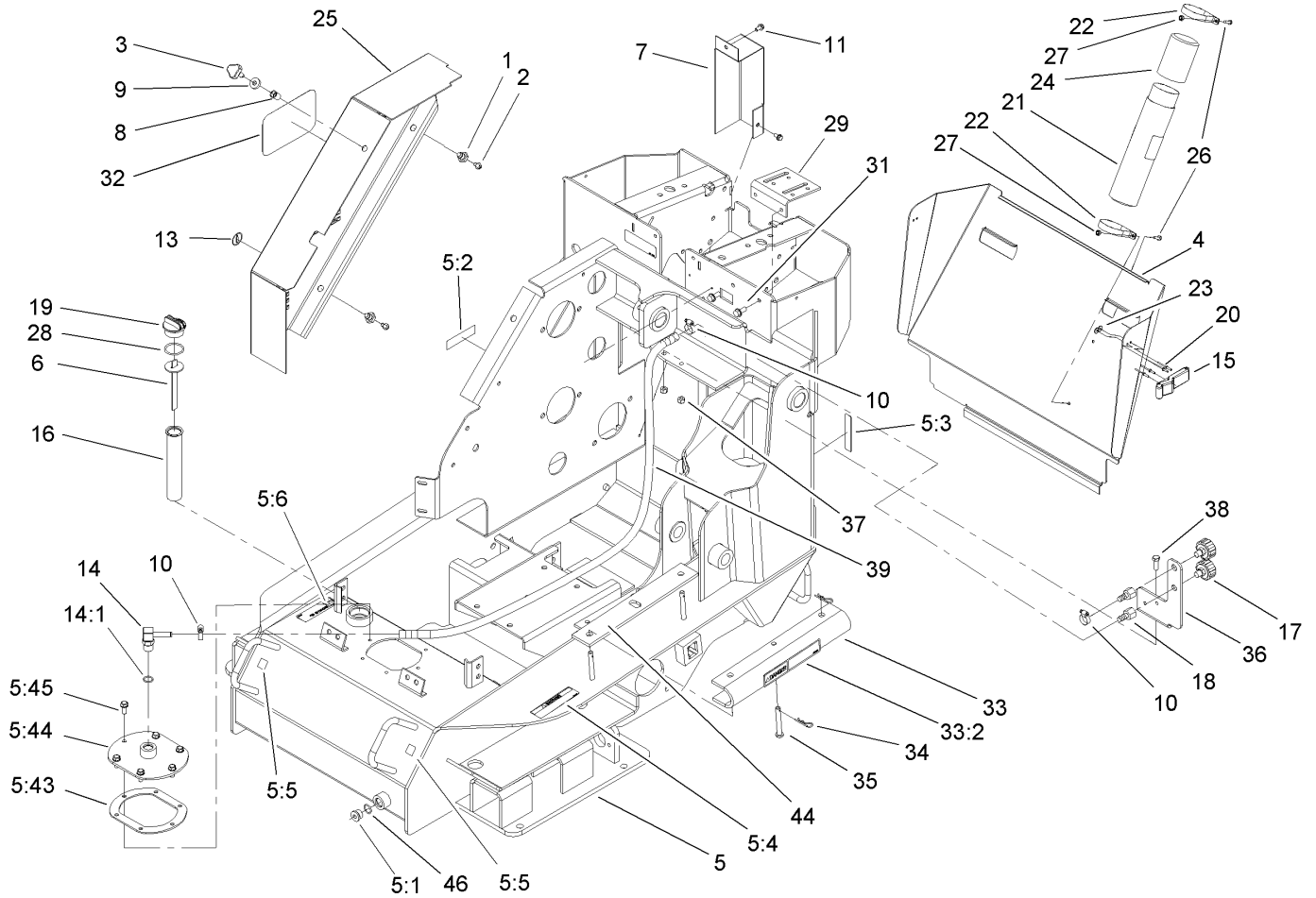
Part Description Abbreviations

Part descriptions in this catalog may include the following abbreviations.

| | |
|---|-----------------------------------|
| AR..... as required | INC..... incorporated |
| ASM..... assembly | LH..... left hand |
| CARR..... carriage | NI..... nylon insert |
| DEG..... degrees | PPH..... phillips pan head |
| FH..... flat head | PTH..... phillips truss head |
| GA..... gauge | PTO..... power take off |
| HF..... hex flange | RH..... right hand |
| HH..... hex head | SFH..... slotted fillister head |
| HHF..... hex head flange | SHH..... slotted hex head |
| HHFTF..... hex head flange thread forming | SHWH..... slotted hex washer head |
| HJ..... hex jam | SPH..... slotted pan head |
| HLH..... hex lag head | SQH..... square head |
| HOC..... height-of-cut | SRH..... slotted round head |
| HS..... hex | STD..... standard |
| HSBH..... hex socket button head | TAP..... self tapping |
| HSFH..... hex socket flat head | TTH..... torx truss head |
| HSH..... hex socket head | WH..... wing head |
| HWH..... hex washer head | |
| HWHTF..... hex washer head thread forming | |
| HYD..... hydraulic | |

Footnotes

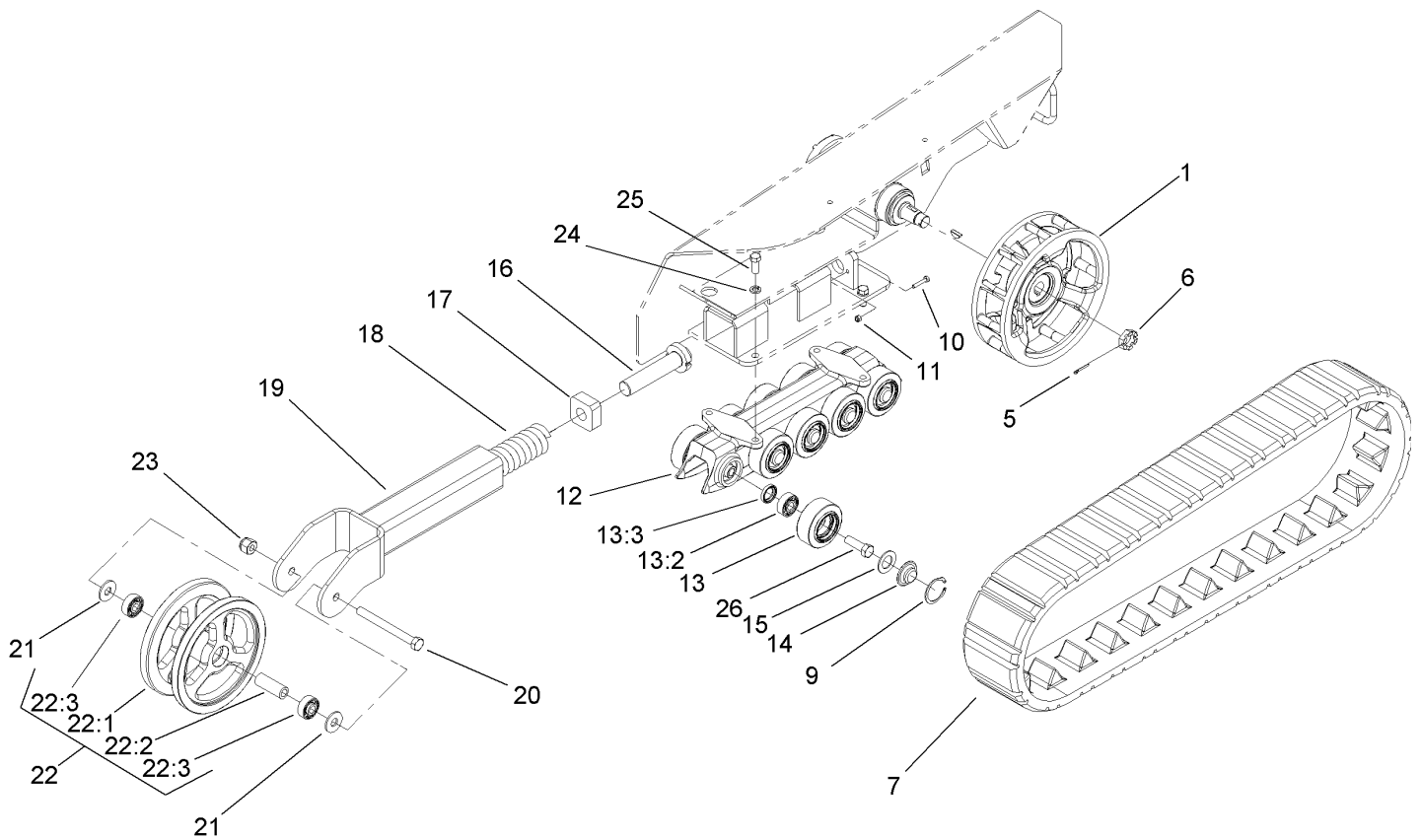
- ❶ Not illustrated
- ❷ Not serviced separately
- ❸ Obtain Parts From Honda



Frame Assembly

| Ref | Part No. | Qty. | Description |
|------|-------------|------|----------------------|
| 1 | 95-3989 | 2 | Mount-Sidepanel |
| 2 | 46-8093 | 2 | Screw-Plastite |
| 3 | 95-9648 | 1 | Knob |
| 4 | 106-9472-01 | 1 | Cover-Rear |
| 5 | 105-9010 | 1 | Frame ASM |
| 5:1 | 353-550 | 1 | Plug-HYD |
| 5:2 | 98-5954 | 1 | Decal-Missing, Cover |
| 5:3 | 104-2838 | 1 | Decal-Brake |
| 5:4 | 100-6141 | 1 | Decal-Pinch |
| 5:5 | 93-9084 | 4 | Decal-Point, Lift |
| 5:6 | 105-8432 | 1 | Decal-Oil, Hydraulic |
| 5:43 | 107-3557 | 1 | Gasket-Cover, Access |
| 5:44 | 107-3559 | 1 | Cover ASM |
| 5:45 | 98-9940 | 6 | Screw |
| 6 | 100-2097 | 1 | Dipstick-Oil |
| 7 | 105-9043-03 | 1 | Cover-Pulley |
| 8 | 32148-9 | 1 | Insert-Nut |
| 9 | 106-0565 | 1 | Washer-Rubber |
| 10 | 2412-36 | 3 | Clamp-Hose |
| 11 | 32144-4 | 2 | Screw-HWH |
| 13 | 58-6520 | 1 | Decal-Grease |
| 14 | 354-134 | 1 | Fitting-Hyd, 90 DEG |
| 14:1 | 237-79 | 1 | O-Ring |
| 15 | 80-6980 | 2 | Latch |

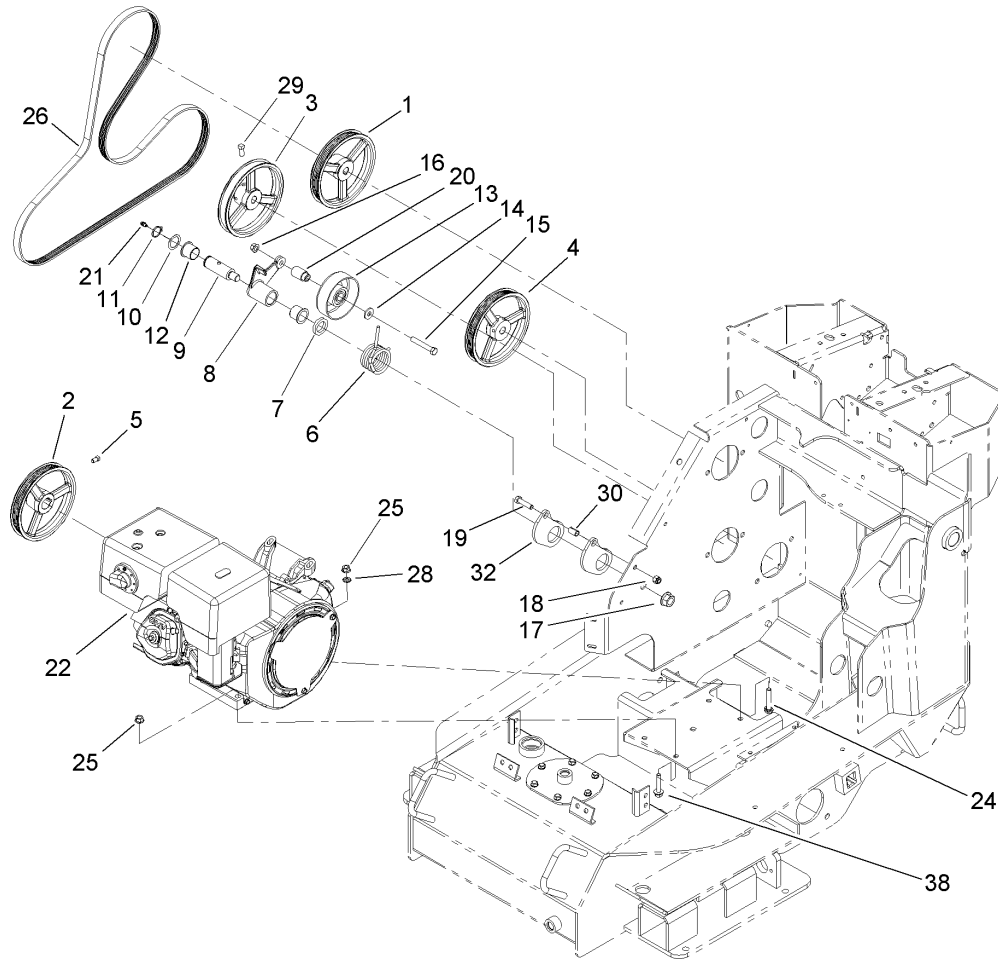
| Ref | Part No. | Qty. | Description |
|------|-------------|------|-------------------------|
| 16 | 61-2790 | 1 | Filter-Screen |
| 17 | 68-6150 | 2 | Breather |
| 18 | 354-95 | 2 | Fitting-Female, Barbed |
| 19 | 93-7498 | 1 | Plug-Plastic |
| 20 | 3269-17 | 8 | Rivet-Pop |
| 21 | 104-7050 | 1 | Housing-Manual |
| 22 | 2412-120 | 2 | R-Clamp |
| 23 | 3269-10 | 8 | Washer-Back |
| 24 | 104-7048 | 1 | Cap-Housing |
| 25 | 106-9427-03 | 1 | Cover-Belt |
| 26 | 3290-500 | 2 | Screw-PPH |
| 27 | 3296-2 | 2 | Nut-Lock |
| 28 | 237-123 | 1 | O-Ring |
| 29 | 106-9447-01 | 1 | Bracket-Mount, Throttle |
| 31 | 32144-70 | 2 | Screw-HH |
| 32 | 105-1217 | 1 | Decal-Toro |
| 33 | 107-3552 | 1 | Locking Arm ASM |
| 33:2 | 100-6135 | 1 | Decal-Danger |
| 34 | 3290-467 | 3 | Pin-Hair |
| 35 | 283-52 | 1 | Pin-Clevis |
| 36 | 106-3132-01 | 1 | Bracket-Filter |
| 37 | 3296-29 | 2 | Nut-Lock, NI |
| 38 | 322-5 | 2 | Screw-HH |
| 39 | 103-1693 | 1 | Hose-Fuel |



Track and Traction Assembly

| Ref | Part No. | Qty. | Description |
|------|-------------|------|-------------------------|
| 1 | 105-9146-03 | 2 | Wheel- Drive |
| 5 | 3272-13 | 2 | Pin-Cotter |
| 6 | 99-3139 | 2 | Nut |
| 7 | 98-9800 | 2 | Track |
| 9 | 106-7595 | 20 | Ring-Snap, Internal |
| 10 | 321-13 | 2 | Screw-HH |
| 11 | 3296-42 | 2 | Nut-Lock, NI |
| 12 | 106-7590-03 | 2 | Guide-Track |
| 13 | 106-7621 | 20 | Road Wheel ASM |
| 13:2 | 93-4237 | 1 | Bearing |
| 13:3 | 253-118 | 1 | Seal-Oil |
| 14 | 106-7557 | 20 | Cap-Wheel, Bearing |
| 15 | 106-7585 | 20 | Gasket-Bogie |
| 16 | 98-9846 | 2 | Bolt-Tensioner |
| 17 | 95-3626 | 2 | Block-Tensioning |
| 18 | 95-3624 | 2 | Spring-Compression |
| 19 | 98-9801-03 | 2 | Tensioner Arm ASM |
| 20 | 327-17 | 2 | Screw-HH |
| 21 | 3256-7 | 4 | Washer-Flat |
| 22 | 104-5745 | 2 | Tensioner Wheel ASM |
| 22:1 | 104-5747-03 | 1 | Wheel-Tensioner |
| 22:2 | 98-9835 | 1 | Spacer-Wheel, Tensioner |
| 22:3 | 93-4237 | 2 | Bearing |
| 23 | 3296-24 | 2 | Nut-Lock NI |

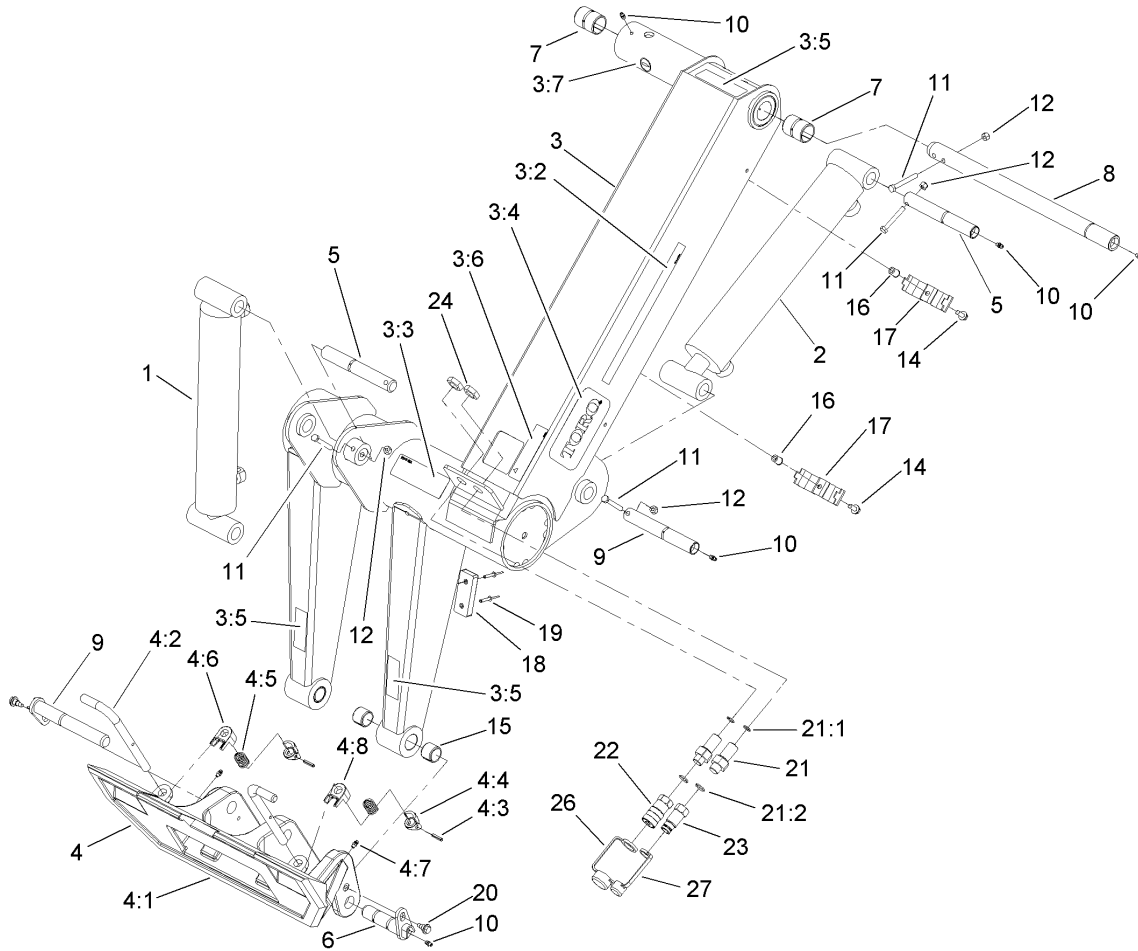
| Ref | Part No. | Qty. | Description |
|-----|----------|------|-------------|
| 24 | 3253-7 | 8 | Washer-Lock |
| 25 | 325-5 | 8 | Screw-HH |
| 26 | 327-4 | 20 | Screw-HH |



Engine and Drive Assembly

| Ref | Part No. | Qty. | Description |
|-----|------------|------|----------------------------|
| 1 | 104-8448 | 1 | Pulley |
| 2 | 104-8449 | 1 | Pulley |
| 3 | 104-8450 | 1 | Pulley |
| 4 | 105-9046 | 1 | Pulley |
| 5 | 3242-2 | 2 | Screw-SQH |
| 6 | 100-4844 | 1 | Spring-Torsion |
| 7 | 99-3625 | 1 | Spacer-Arm, Idler |
| 8 | 99-3623-03 | 1 | Arm-Idler |
| 9 | 99-3624 | 1 | Shaft-Pivot, Idler |
| 10 | 74-1810 | 1 | Washer |
| 11 | 32151-36 | 1 | Ring-Retaining |
| 12 | 99-3631 | 2 | Bushing-Flange |
| 13 | 95-8802 | 1 | Pulley-Idler |
| 14 | 80-6990 | 1 | Washer-Hardened |
| 15 | 323-12 | 1 | Screw-HH |
| 16 | 32128-21 | 1 | Nut-HF |
| 17 | 32128-54 | 1 | Nut-Flange |
| 18 | 3296-39 | 1 | Nut-Lock, NI |
| 19 | 323-8 | 1 | Screw-HH |
| 20 | 105-9035 | 1 | Spacer-Idler |
| 21 | 302-5 | 1 | Fitting-Grease |
| 22 | | 1 | Engine-Honda, Gx390k1 Qtr2 |
| 24 | 3234-19 | 3 | Screw-HHF |
| 25 | 32128-21 | 4 | Nut-HF |

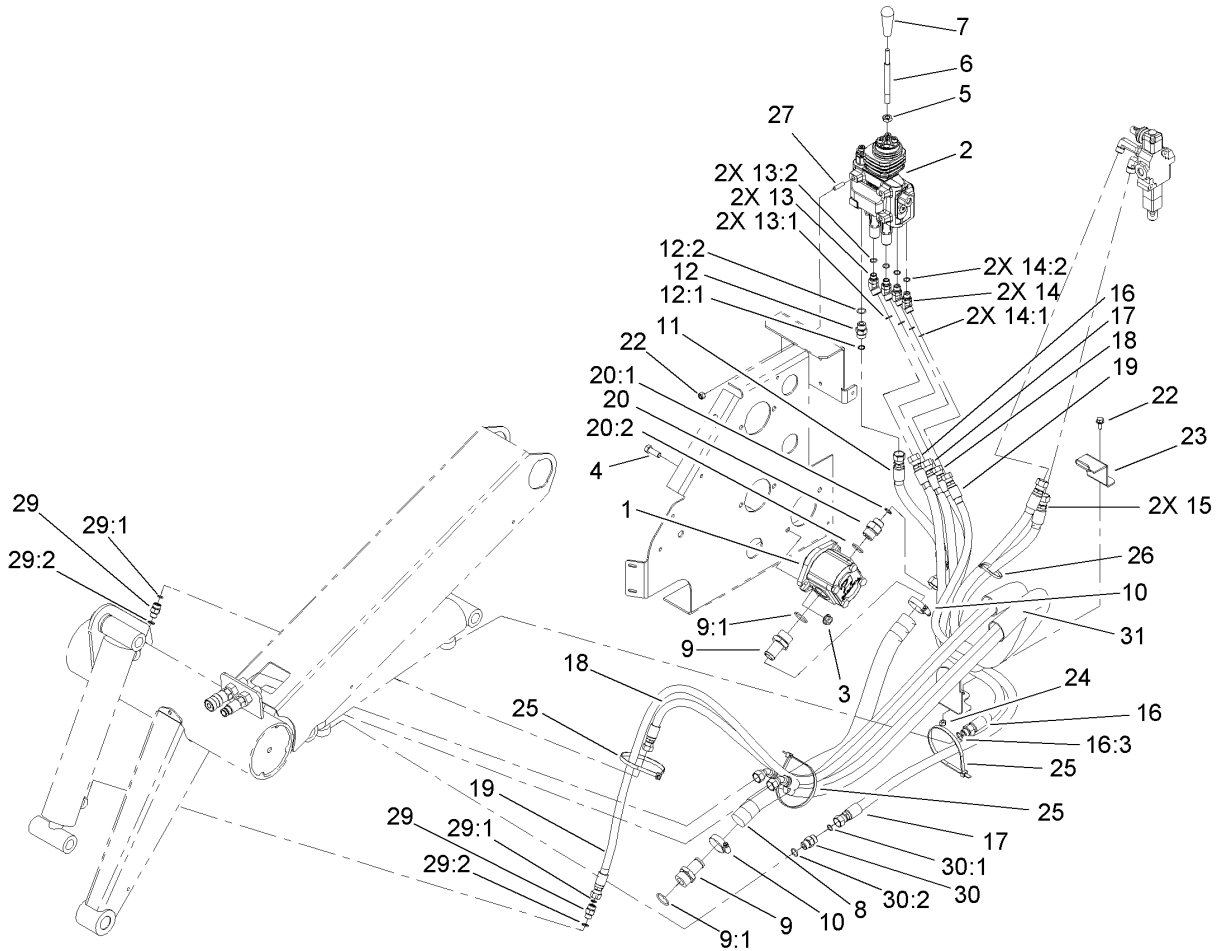
| Ref | Part No. | Qty. | Description |
|-----|----------|------|----------------------|
| 26 | 106-9422 | 1 | Belt-Poly-V |
| 28 | 3255-9 | 1 | Washer-Lock, Ext |
| 29 | 3242-4 | 6 | Screw-Set, SQH |
| 30 | 106-4501 | 1 | Scraper-Stop, Spacer |
| 32 | 106-9480 | 2 | Pad-Rubber |
| 38 | 66-9302 | 1 | Screw-HHF |



Loader Arm and Quick Attach Assembly

| Ref | Part No. | Qty. | Description |
|-----|-------------|------|------------------------------|
| 1 | 106-3161 | 1 | Cylinder-Hydraulic |
| 1:1 | 106-9466 | 1 | Kit-Seal, Hydraulic Cylinder |
| 2 | 106-3162 | 1 | Cylinder-Hydraulic |
| 2:1 | 106-9467 | 1 | Kit-Seal, Hydraulic Cylinder |
| 3 | 107-3565 | 1 | Loader Arm ASM |
| 3:2 | 106-9452 | 1 | Decal-Model |
| 3:3 | 106-9451 | 1 | Decal-Caution |
| 3:4 | 105-1217 | 1 | Decal-Toro |
| 3:5 | 100-6141 | 3 | Decal-Pinch |
| 3:6 | 100-6101 | 1 | Decal-Caution |
| 3:7 | 58-6520 | 1 | Decal-Grease |
| 4 | 106-9426 | 1 | Quick Attach ASM |
| 4:1 | 106-3156-03 | 1 | Mount-Qtach |
| 4:2 | 105-8367 | 2 | Pin-Locking |
| 4:3 | 3285-1 | 2 | Pin-Grooved |
| 4:4 | 105-0246 | 2 | Cam |
| 4:5 | 98-4694 | 2 | Spring-Compression |
| 4:6 | 104-5909 | 1 | Stop-RH |
| 4:7 | 302-5 | 2 | Fitting-Grease |
| 4:8 | 104-5903 | 1 | Stop-LH |
| 5 | 105-9075 | 3 | Pin-Pivot . |
| 6 | 106-3139 | 2 | Pivot Pin ASM |
| 7 | 106-3133 | 2 | Bushing-Tension, Loader Arm |
| 8 | 106-3164 | 1 | Pin-Pivot, Loader Arm |

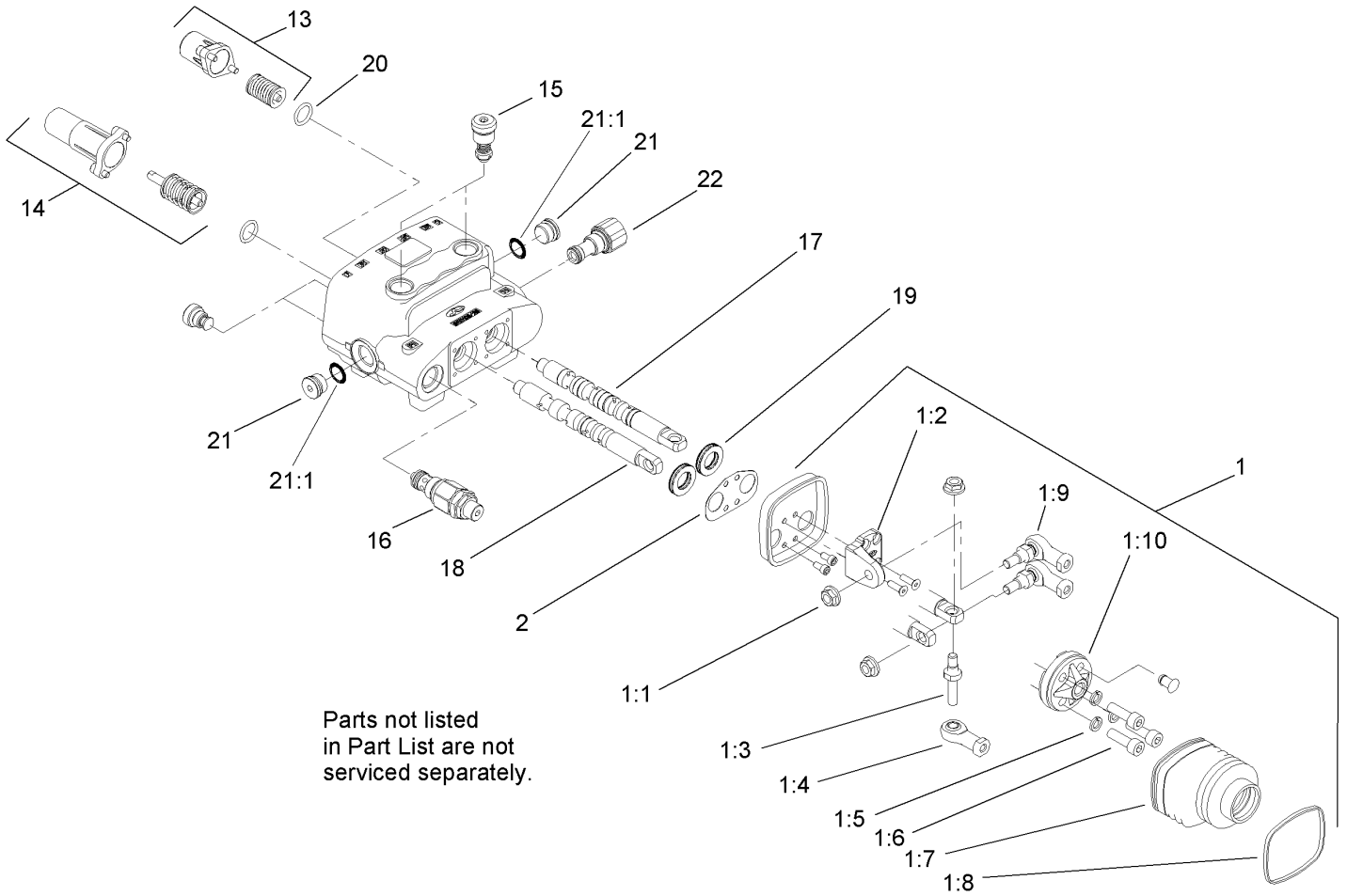
| Ref | Part No. | Qty. | Description |
|------|-------------|------|-------------------|
| 9 | 106-3140 | 1 | Pivot Pin ASM |
| 10 | 302-5 | 8 | Fitting-Grease |
| 11 | 322-12 | 4 | Screw-HH |
| 12 | 3296-29 | 4 | Nut-Lock, NI |
| 14 | 322-5 | 2 | Screw-HH |
| 15 | 98-4871 | 4 | Bushing-Tension |
| 16 | 32148-7 | 2 | Insert-Nut |
| 17 | 107-3553-03 | 2 | Clamp-Hose |
| 18 | 86-5350 | 2 | Bumper-Rubber |
| 19 | 3269-11 | 4 | Rivet |
| 20 | 99-5105 | 3 | Bolt-Shoulder |
| 21 | 98-9907 | 2 | Union-Bulkhead |
| 21:1 | 237-30 | 1 | O-Ring |
| 21:2 | 237-79 | 1 | O-Ring |
| 22 | 104-6115 | 1 | Coupler-Female |
| 22:1 | 107-9300 | 1 | Kit-Seal, Coupler |
| 23 | 104-6114 | 1 | Nipple-Connector |
| 23:1 | 107-9301 | 1 | Kit-Seal, Nipple |
| 24 | 340-127 | 2 | Nut-Bulkhead |
| 26 | 105-5865 | 1 | Cap-Dust |
| 27 | 105-5866 | 1 | Plug-Dust |



Loader Arm Hydraulic Assembly

| Ref | Part No. | Qty. | Description |
|------|----------|------|-------------------------|
| 1 | 104-8481 | 1 | Pump-Gear |
| 1:1 | 98-4700 | 1 | Key-Square |
| 1:2 | 107-3550 | 1 | Kit-Seal, Pump |
| 2 | 106-9406 | 1 | Valve-Loader |
| 3 | 32128-42 | 2 | Nut-HF |
| 4 | 324-5 | 2 | Screw-HH |
| 5 | 51-2070 | 1 | Nut |
| 6 | 95-3569 | 1 | Shaft-Handle, Lift/tilt |
| 7 | 98-0152 | 1 | Knob-Tapered |
| 8 | 106-9446 | 1 | Hose-Hyd, Suction |
| 9 | 354-78 | 2 | Connector-Hose |
| 9:1 | 237-146 | 1 | O-Ring |
| 10 | 2412-111 | 2 | Clamp |
| 11 | 106-3148 | 1 | Hydraulic Hose ASM |
| 12 | 340-4 | 1 | Fitting-Hyd, Straight |
| 12:1 | 237-30 | 1 | O-Ring |
| 12:2 | 237-79 | 1 | O-Ring |
| 13 | 340-96 | 2 | Adapter |
| 13:1 | 237-30 | 1 | O-Ring |
| 13:2 | 237-42 | 1 | O-Ring |
| 14 | 340-87 | 2 | Fitting-Hyd, 45 DEG |
| 14:1 | 237-22 | 1 | O-Ring |
| 14:2 | 237-42 | 1 | O-Ring |
| 15 | 106-3145 | 2 | Hydraulic Hose ASM |

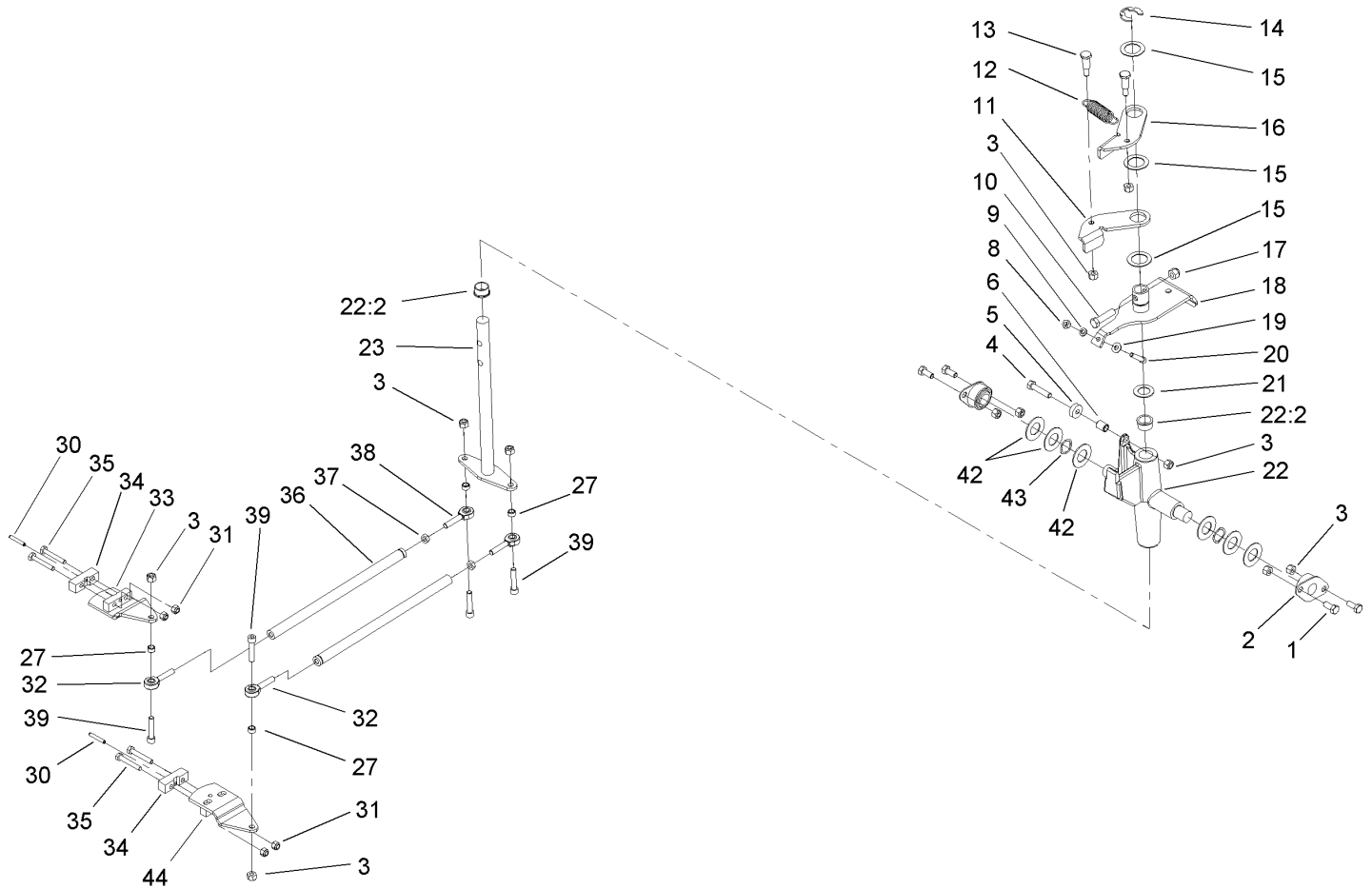
| Ref | Part No. | Qty. | Description |
|------|-------------|------|-----------------------|
| 16 | 106-3147 | 1 | Hydraulic Hose ASM |
| 16:3 | 237-79 | 1 | O-Ring |
| 17 | 107-3593 | 1 | Hose ASM-Hydraulic |
| 18 | 107-3592 | 1 | Hose ASM-Hydraulic |
| 19 | 107-3591 | 1 | Hose ASM-Hydraulic |
| 20 | 340-8 | 1 | Adapter |
| 20:1 | 237-65 | 1 | O-Ring |
| 20:2 | 237-81 | 1 | O-Ring |
| 22 | 3296-29 | 4 | Nut-Lock, NI |
| 23 | 107-3555-01 | 1 | Clamphalf-Hose |
| 24 | 3296-29 | 1 | Nut-Lock, NI |
| 25 | 3334-945 | 6 | Tie-Cable |
| 26 | 3290-379 | 8 | Tie-Cable |
| 27 | 104-0430 | 4 | Stud |
| 29 | 340-2 | 2 | Fitting-Hyd, Straight |
| 29:1 | 237-22 | 1 | O-Ring |
| 29:2 | 237-42 | 1 | O-Ring |
| 30 | 340-4 | 1 | Fitting-Hyd, Straight |
| 30:1 | 237-30 | 1 | O-Ring |
| 30:2 | 237-79 | 1 | O-Ring |
| 31 | 107-3589 | 2 | Sleeve-Hose |



Valve Assembly No. 106-9406

| Ref | Part No. | Qty. | Description |
|------|----------|------|---------------------------|
| 1 | 106-7724 | 1 | Kit-Joystick |
| 1:1 | 98-0668 | 3 | Nut |
| 1:2 | 106-7726 | 1 | Pivot-Joystick |
| 1:3 | 106-7727 | 1 | Pin-Joystick |
| 1:4 | 106-7728 | 1 | End-Rod |
| 1:5 | 42-9850 | 3 | Washer-Lock, Spring |
| 1:6 | 98-5828 | 3 | Screw-HSH |
| 1:7 | 106-7729 | 1 | Bellow-Rubber |
| 1:8 | 3290-379 | 1 | Tie-Cable |
| 1:9 | 106-7730 | 2 | Joint-Joystick |
| 1:10 | 106-7731 | 1 | Holder-Articulated |
| 2 | 106-7725 | 1 | Seal-Joystick |
| 13 | 106-7732 | 1 | Kit-Spring, Valve |
| 14 | 106-7733 | 1 | Kit-Spring, Detent |
| 15 | 107-3561 | 2 | Valve-Relief, port |
| 16 | 106-7735 | 1 | Valve-Relief, Main |
| 17 | 106-7736 | 1 | Spool-Valve |
| 18 | 106-7737 | 1 | Spool-Valve |
| 19 | 106-7738 | 2 | Seal-Valve, Spool |
| 20 | 106-7719 | 2 | Seal-Valve |
| 21 | 353-988 | 2 | Plug-Hex, Hollow |
| 21:1 | 237-79 | 1 | O-Ring |
| 22 | 107-3562 | 1 | Sleeve-Port, Power Beyond |

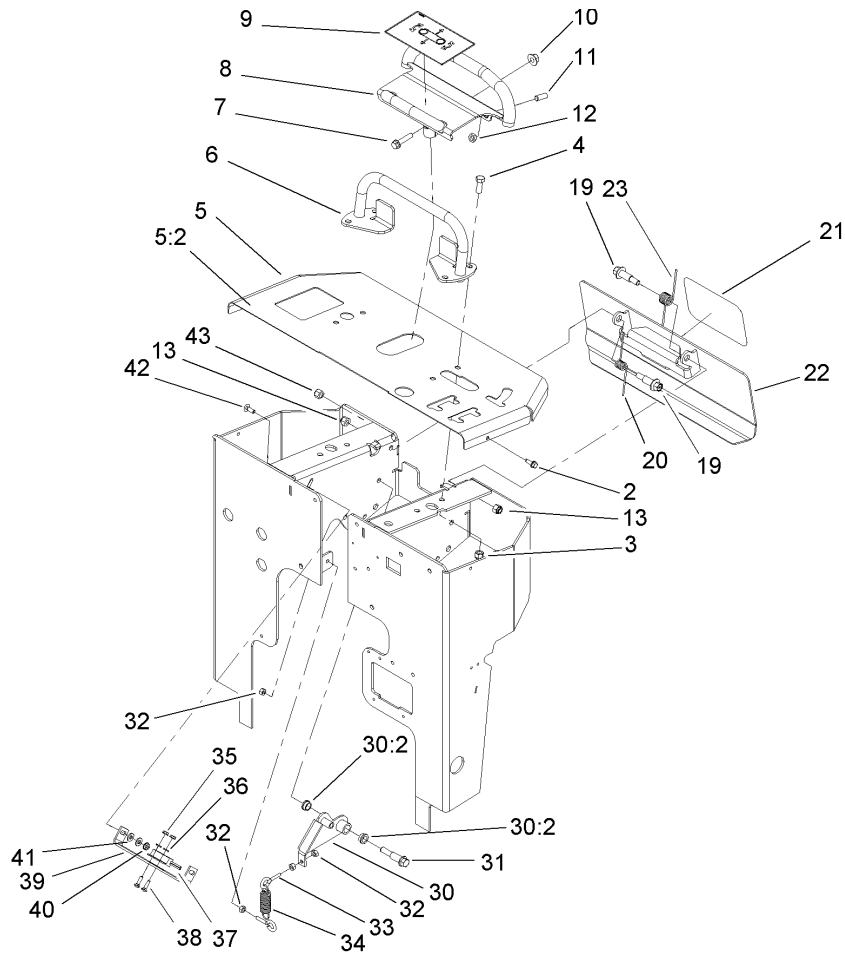
| | | | |
|--|--|--|--|
| | | | |
|--|--|--|--|



Traction Control Assembly

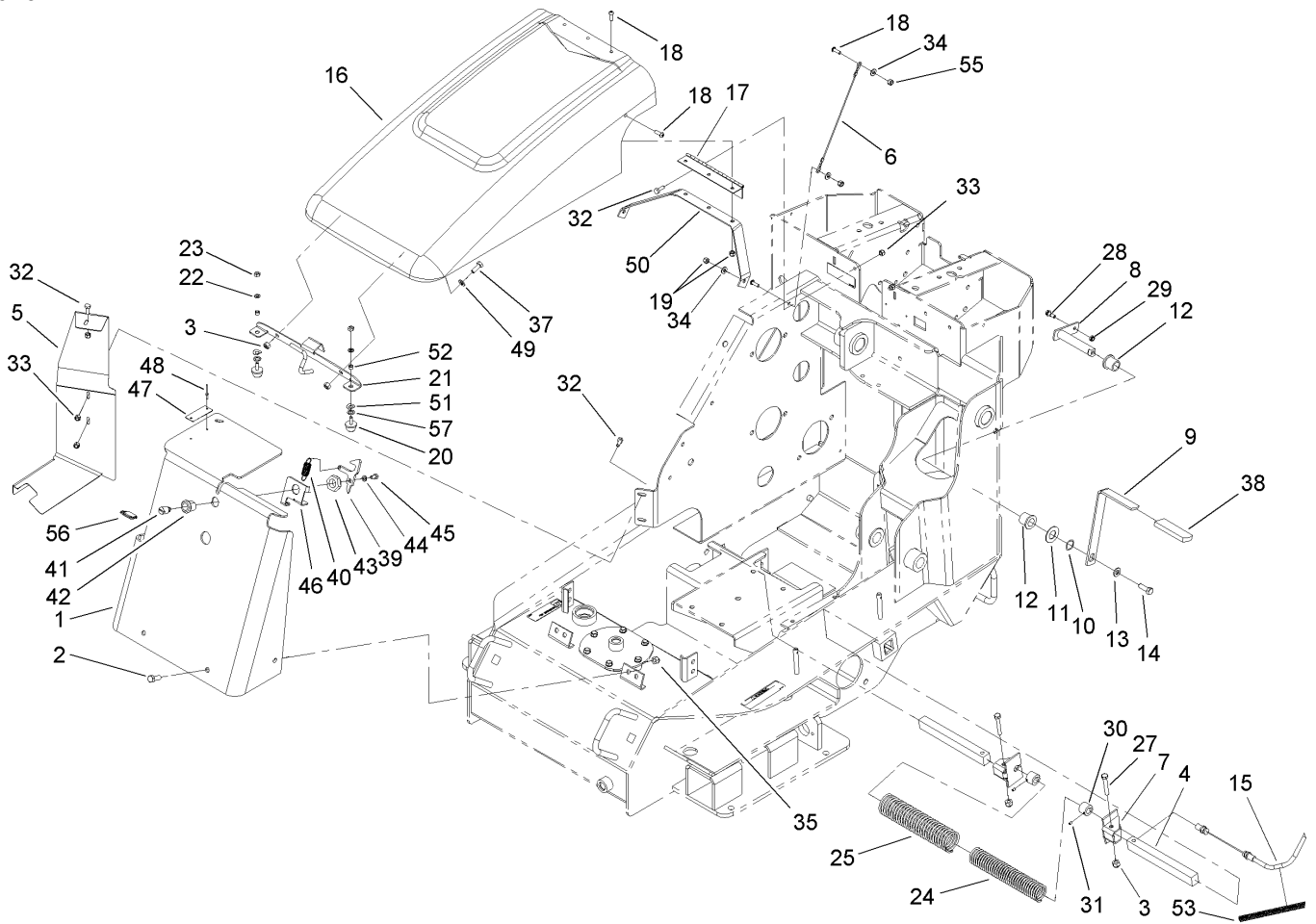
| Ref | Part No. | Qty. | Description |
|------|----------|------|------------------------|
| 1 | 322-3 | 4 | Screw-HH |
| 2 | 68-2970 | 2 | Bushing |
| 3 | 3296-29 | 11 | Nut-Lock, NI |
| 4 | 322-7 | 1 | Screw-HH |
| 5 | 251-259 | 1 | Bearing-Ball |
| 6 | 88-7450 | 1 | Spacer-Lever, Control |
| 8 | 3217-5 | 1 | Nut-Hex |
| 9 | 3253-3 | 1 | Washer-Lock |
| 10 | 323-8 | 1 | Screw-HH |
| 11 | 98-8407 | 1 | Lever-Return, RH |
| 12 | 105-1210 | 1 | Spring-Extension |
| 13 | 63-2650 | 2 | Screw-Shoulder |
| 14 | 32151-91 | 1 | Ring-Retaining |
| 15 | 3256-42 | 3 | Washer-Flat |
| 16 | 98-8408 | 1 | Lever-Return, LH |
| 17 | 3296-39 | 1 | Nut-Lock, NI |
| 18 | 104-9968 | 1 | Pivot Lever ASM |
| 19 | 3256-22 | 1 | Washer-Flat |
| 20 | 3274-51 | 1 | Screw-HSH |
| 21 | 257-8 | 1 | Washer-Thrust |
| 22 | 106-5737 | 1 | Control Support ASM |
| 22:2 | 256-252 | 2 | Bearing-Flange |
| 23 | 106-5745 | 1 | Drive Rod ASM |
| 27 | 92-3133 | 4 | Spacer-Lever, Traction |

| Ref | Part No. | Qty. | Description |
|-----|----------|------|---------------------|
| 30 | 32121-6 | 2 | Pin-Roll |
| 31 | 3296-42 | 4 | Nut-Lock, NI |
| 32 | 2411-53 | 2 | Bearing-Rod End, LH |
| 33 | 104-8475 | 1 | Pump Lever ASM |
| 34 | 105-0365 | 2 | Clamp-Traction |
| 35 | 321-10 | 4 | Screw-HH |
| 36 | 105-9030 | 2 | Rod-Linkage |
| 37 | 3220-2 | 2 | Nut |
| 38 | 2411-52 | 2 | Bearing-Rod End, RH |
| 39 | 3274-83 | 4 | Screw-HSH |
| 42 | 3256-39 | 6 | Washer-Flat |
| 43 | 95-3703 | 2 | Washer-Spring, Wave |
| 44 | 105-0362 | 1 | Pump Lever ASM |



Control Panel Assembly

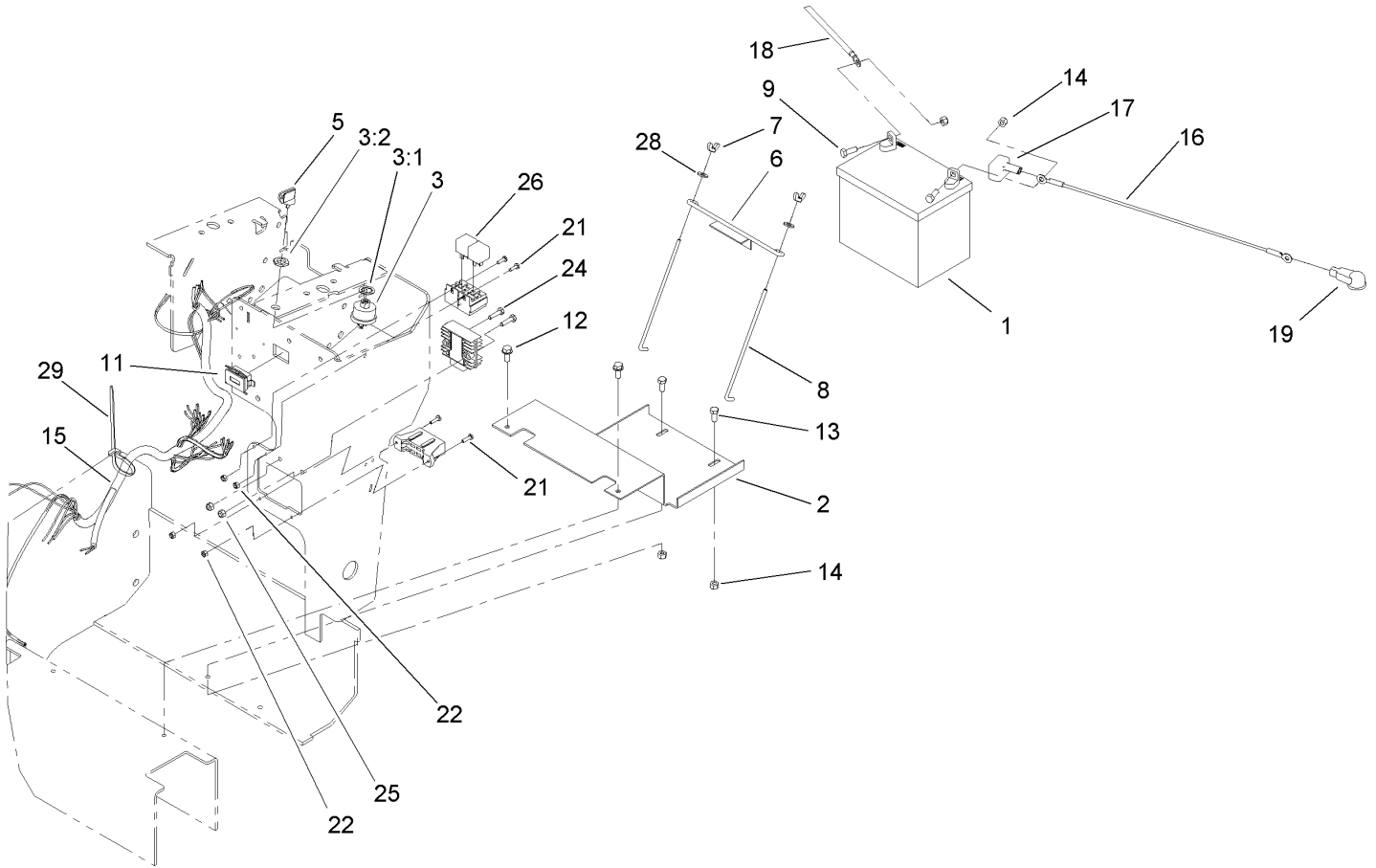
| Ref | Part No. | Qty. | Description | Ref | Part No. | Qty. | Description |
|------|-------------|------|-----------------------------|-----|----------|------|------------------|
| 2 | 32144-44 | 2 | Screw-HWH | 35 | 32149-7 | 2 | Nut-Keps |
| 3 | 3296-22 | 4 | Nut-Lock, NI | 36 | 3256-51 | 2 | Washer-Flat |
| 4 | 323-6 | 4 | Screw-HH | 37 | 100-1270 | 1 | Switch-Proximity |
| 5 | 106-9508 | 1 | Control Panel ASM | 38 | 3229-20 | 2 | Screw-CARR |
| 5:2 | 106-9450 | 1 | Decal-Control Panel | 39 | 100-1263 | 1 | Plate-Switch |
| 6 | 98-8400-03 | 1 | Reference Bar ASM | 40 | 32149-2 | 2 | Nut |
| 7 | 3234-18 | 1 | Screw-HHF | 41 | 3256-22 | 4 | Washer-Flat |
| 8 | 104-9970-03 | 1 | Control Handle ASM | 42 | 3229-1 | 2 | Screw-CARR |
| 9 | 106-9453 | 1 | Decal-Traction | 43 | 3296-6 | 1 | Nut-Lock, NI |
| 10 | 32128-43 | 1 | Nut-Flange | | | | |
| 11 | 3247-7 | 2 | Set Screw | | | | |
| 12 | 3218-3 | 2 | Nut-Jam | | | | |
| 13 | 3296-39 | 2 | Nut-Lock, NI | | | | |
| 19 | 62-1330 | 2 | Bolt-Shoulder | | | | |
| 20 | 98-8424 | 1 | Spring-Torsion, RH | | | | |
| 21 | 105-1217 | 1 | Decal-Toro | | | | |
| 22 | 105-9031-03 | 1 | Reverse Plate ASM | | | | |
| 23 | 98-8425 | 1 | Spring-Torsion, LH | | | | |
| 30 | 100-4203 | 1 | Neutral Centering Lever ASM | | | | |
| 30:2 | 256-156 | 2 | Bushing-Flange | | | | |
| 31 | 66-0560 | 1 | Bolt-Shoulder | | | | |
| 32 | 3217-5 | 4 | Nut-Hex | | | | |
| 33 | 71-2870 | 2 | Bolt-Eye | | | | |
| 34 | 105-1210 | 1 | Spring-Extension | | | | |



Hood and Brake Assembly

| Ref | Part No. | Qty. | Description |
|-----|-------------|------|---------------------|
| 1 | 105-9038-03 | 1 | Grille |
| 2 | 323-6 | 4 | Screw-HH |
| 3 | 3296-29 | 5 | Nut-Lock, NI |
| 4 | 106-9413-03 | 2 | Bar-Brake |
| 5 | 105-9144-03 | 1 | Deflector-Exhaust |
| 6 | 106-9418 | 1 | Lanyard |
| 7 | 106-9412-03 | 2 | Bracket-Cable |
| 8 | 106-9430 | 1 | Brake Shaft ASM |
| 9 | 105-9140-03 | 1 | Handle-Brake |
| 10 | 95-3703 | 1 | Washer-Spring, Wave |
| 11 | 3256-39 | 1 | Washer-Flat |
| 12 | 256-117 | 2 | Bushing |
| 13 | 3256-24 | 1 | Washer-Flat |
| 14 | 323-18 | 1 | Screw-HH |
| 15 | 106-9433 | 1 | Cable-Brake |
| 16 | 106-9420 | 1 | Hood ASM |
| 17 | 106-9408 | 1 | Hinge-Hood |
| 18 | 3258-166 | 6 | Screw |
| 19 | 3296-42 | 4 | Nut-Lock, NI |
| 20 | 1-523420 | 2 | Bumper |
| 21 | 106-9497-03 | 1 | Rod Latch ASM |
| 22 | 3253-3 | 2 | Washer-Lock |
| 23 | 3217-5 | 2 | Nut-Hex |
| 24 | 105-7055 | 1 | Spring-Brake |

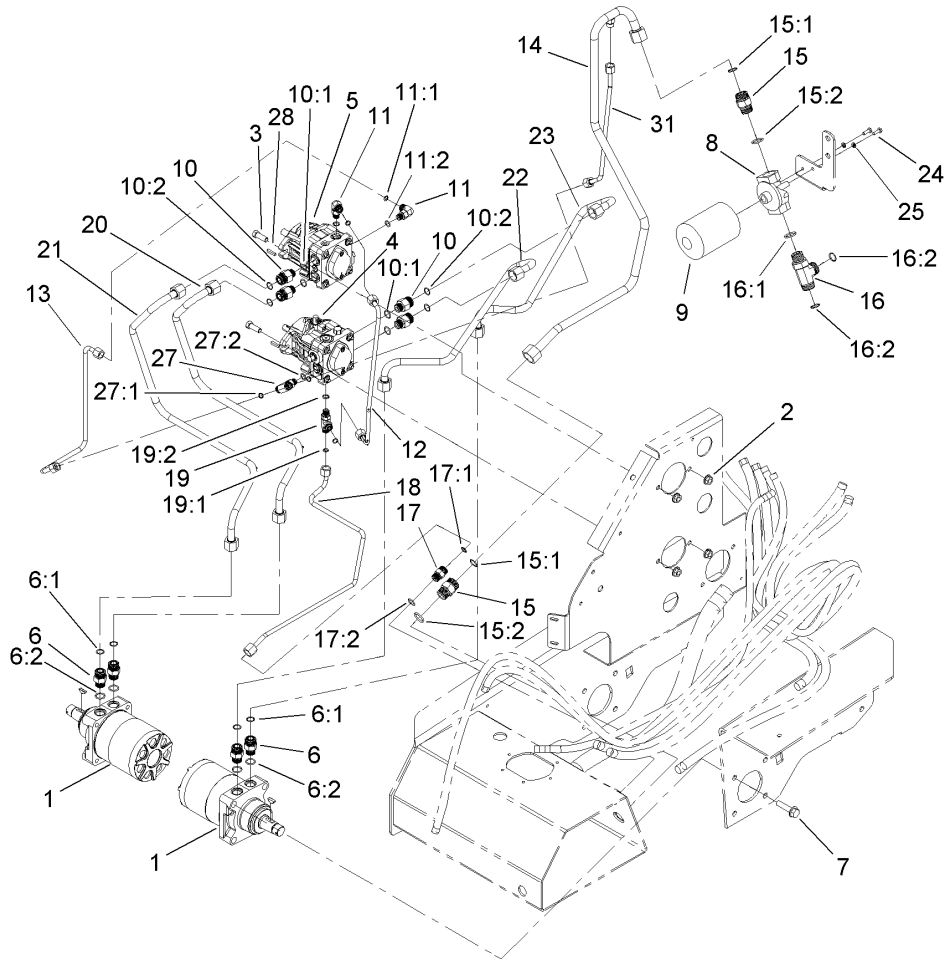
| Ref | Part No. | Qty. | Description |
|-----|-------------|------|-------------------|
| 25 | 105-7054 | 1 | Spring-Brake |
| 27 | 322-10 | 2 | Screw-HH |
| 28 | 42-3560 | 1 | Bolt-Shoulder |
| 29 | 3296-56 | 1 | Nut-Lock, NI |
| 30 | 100-6274 | 2 | Tube-Guide |
| 31 | 3245-20 | 2 | Screw-HSH |
| 32 | 321-4 | 6 | Screw-HH |
| 33 | 3296-42 | 6 | Nut-Lock, NI |
| 34 | 3256-78 | 2 | Washer-Flat |
| 35 | 3296-39 | 4 | Nut-Lock, NI |
| 37 | 322-4 | 3 | Screw-HH |
| 38 | 62-9130 | 1 | Grip-Handle |
| 39 | 106-5728 | 1 | Cam-Latch |
| 40 | 104-0869 | 1 | Spring-Brake |
| 41 | 106-9335 | 1 | Housing-Latch |
| 42 | 106-9336 | 1 | Insert-Latch |
| 43 | 3296-60 | 1 | Nut-Lock, NI |
| 44 | 3253-3 | 1 | Washer-Lock |
| 45 | 321-2 | 1 | Screw-HH |
| 46 | 106-5729-03 | 1 | Bracket-Latch |
| 47 | 80-9350 | 1 | Plate-Hot Surface |
| 48 | 3269-13 | 2 | Rivet-Pop |
| 49 | 3256-23 | 3 | Washer-Flat |
| 50 | 106-9500-03 | 1 | Support-Hood |



Electrical Assembly

| Ref | Part No. | Qty. | Description |
|-----|-------------|------|--------------------------|
| 1 | 104-2492 | 1 | Battery |
| 2 | 104-8493-01 | 1 | Bracket-Battery |
| 3 | 88-9830 | 1 | Key Switch ASM |
| 3:1 | 3254-5 | 1 | Washer-Tooth |
| 3:2 | 218-461 | 1 | Nut-HH |
| 5 | 63-8360 | 2 | Key-Ignition |
| 6 | 113010 | 1 | Holddown-Battery |
| 7 | 32103-22 | 2 | Nut-Wing |
| 8 | 99-5027 | 2 | Retainer-Battery |
| 9 | 322-4 | 2 | Screw-HH |
| 11 | 104-8143 | 1 | Hourmeter |
| 12 | 32144-70 | 2 | Screw-HH |
| 13 | 322-3 | 2 | Screw-HH |
| 14 | 3296-29 | 4 | Nut-Lock, NI |
| 15 | 106-9436 | 1 | Harness-Wire |
| 16 | 99-7404 | 1 | Cable-Positive |
| 17 | 28-8080 | 1 | Boot-Terminal |
| 18 | 1-413540 | 1 | Cable-Battery, Negative |
| 19 | 93-3190 | 1 | Boot-Insulator, Terminal |
| 21 | 3250-13 | 4 | Screw-PPH |
| 22 | 3296-2 | 4 | Nut-Lock |
| 24 | 321-6 | 2 | Screw-HH |
| 25 | 3296-42 | 2 | Nut-Lock, NI |
| 26 | 98-7249 | 2 | Relay |

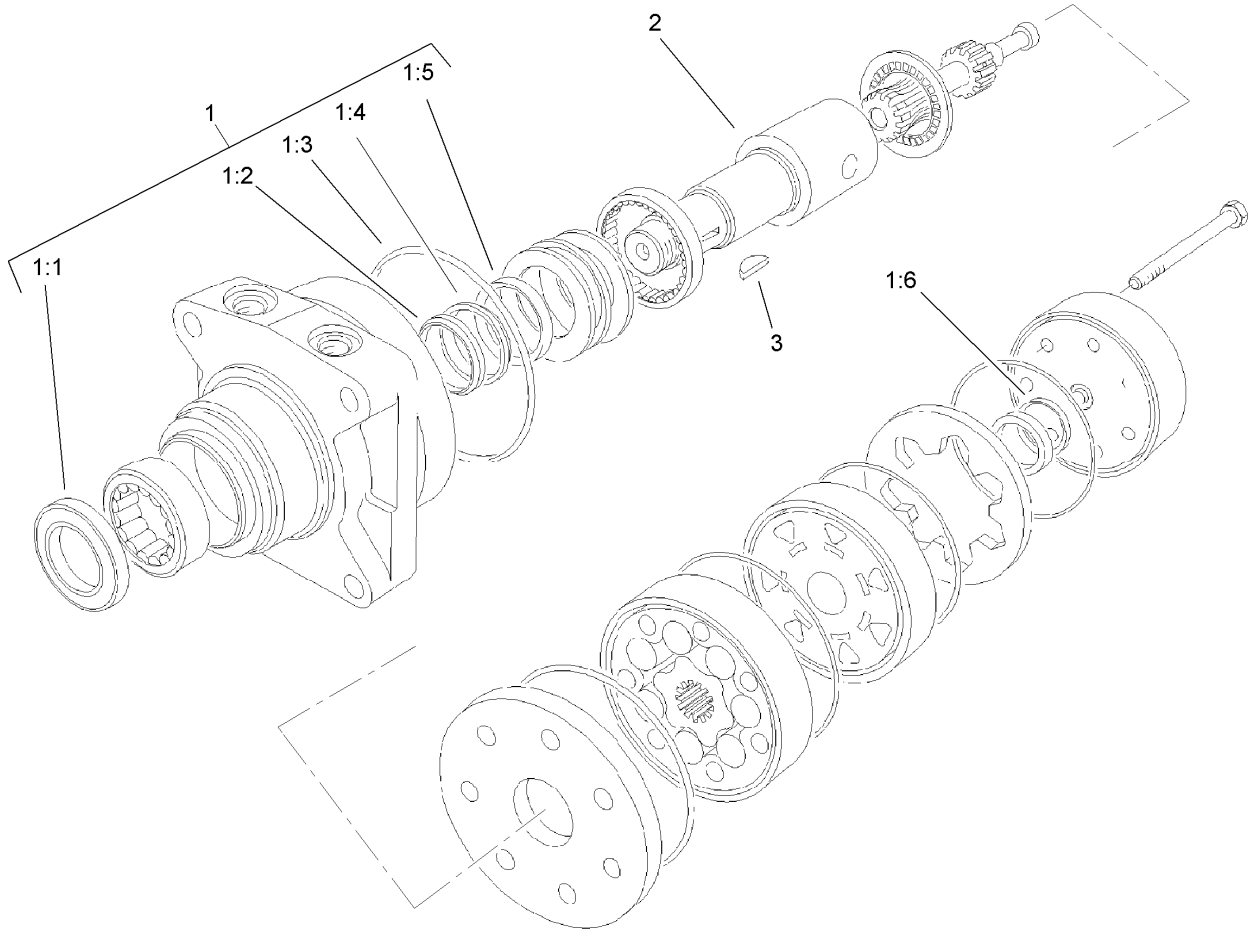
| Ref | Part No. | Qty. | Description |
|-----|----------|------|-------------|
| 28 | 3256-2 | 2 | Washer-Flat |
| 29 | 3290-378 | 2 | Tie-Cable |



Traction Hydraulic Assembly

| Ref | Part No. | Qty. | Description |
|------|----------|------|--------------------------|
| 1 | 104-8470 | 2 | Motor-Wheel, HYD |
| 2 | 32128-42 | 4 | Nut-HF |
| 3 | 324-5 | 4 | Screw-HH |
| 4 | 106-9470 | 1 | Pump-HYD |
| 5 | 106-9471 | 1 | Pump-HYD |
| 6 | 340-7 | 4 | Adapter |
| 6:1 | 237-65 | 1 | O-Ring |
| 6:2 | 237-80 | 1 | O-Ring |
| 7 | 3234-27 | 8 | Screw-Flange |
| 8 | 92-5821 | 1 | Filter Head ASM |
| 9 | 54-0110 | 2 | Filter-Oil, Transmission |
| 10 | 340-155 | 4 | Fitting-Hyd, Straight |
| 10:1 | 237-79 | 1 | O-Ring |
| 10:2 | 237-151 | 1 | O-Ring |
| 11 | 340-77 | 2 | Fitting-Hyd, 90 DEG |
| 11:1 | 237-22 | 1 | O-Ring |
| 11:2 | 237-42 | 1 | O-Ring |
| 12 | 106-9445 | 1 | Hydraulic Tube ASM |
| 13 | 106-9439 | 1 | Hydraulic Tube ASM |
| 14 | 106-9442 | 1 | Hydraulic Tube ASM |
| 15 | 340-9 | 2 | Fitting-Hyd, Straight |
| 15:1 | 237-58 | 1 | O-Ring |
| 15:2 | 237-81 | 1 | O-Ring |
| 16 | 340-148 | 1 | Fitting-Tee |

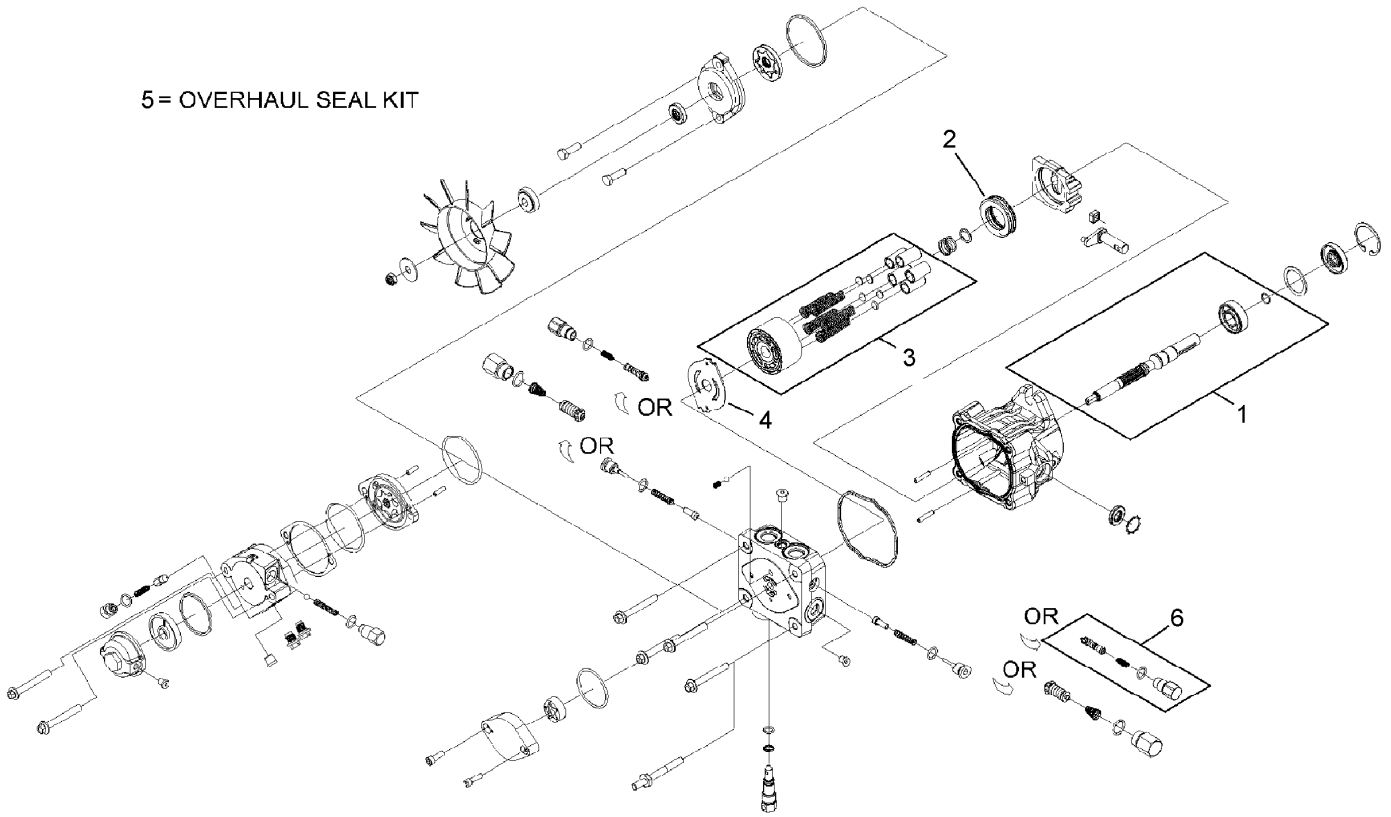
| Ref | Part No. | Qty. | Description |
|------|----------|------|-----------------------|
| 16:1 | 237-81 | 1 | O-Ring |
| 16:2 | 237-58 | 2 | O-Ring |
| 17 | 340-4 | 1 | Fitting-Hyd, Straight |
| 17:1 | 237-30 | 1 | O-Ring |
| 17:2 | 237-79 | 1 | O-Ring |
| 18 | 106-9440 | 1 | Hydraulic Tube ASM |
| 19 | 340-86 | 1 | Fitting-Hyd, Tee |
| 19:1 | 237-22 | 2 | O-Ring |
| 19:2 | 237-42 | 1 | O-Ring |
| 20 | 106-9429 | 1 | Hydraulic Tube ASM |
| 21 | 106-9428 | 1 | Hydraulic Tube ASM |
| 22 | 106-9423 | 1 | Hydraulic Tube ASM |
| 23 | 106-9424 | 1 | Hydraulic Tube ASM |
| 24 | 321-4 | 2 | Screw-HH |
| 25 | 3253-3 | 2 | Washer-Lock |
| 27 | 340-94 | 1 | Adapter |
| 27:1 | 237-22 | 2 | O-Ring |
| 27:2 | 237-42 | 1 | O-Ring |
| 28 | 80-6090 | 2 | Key-Pump |
| 31 | 106-9441 | 1 | Hydraulic Tube ASM |



Hydraulic Motor Assembly No. 104-8470

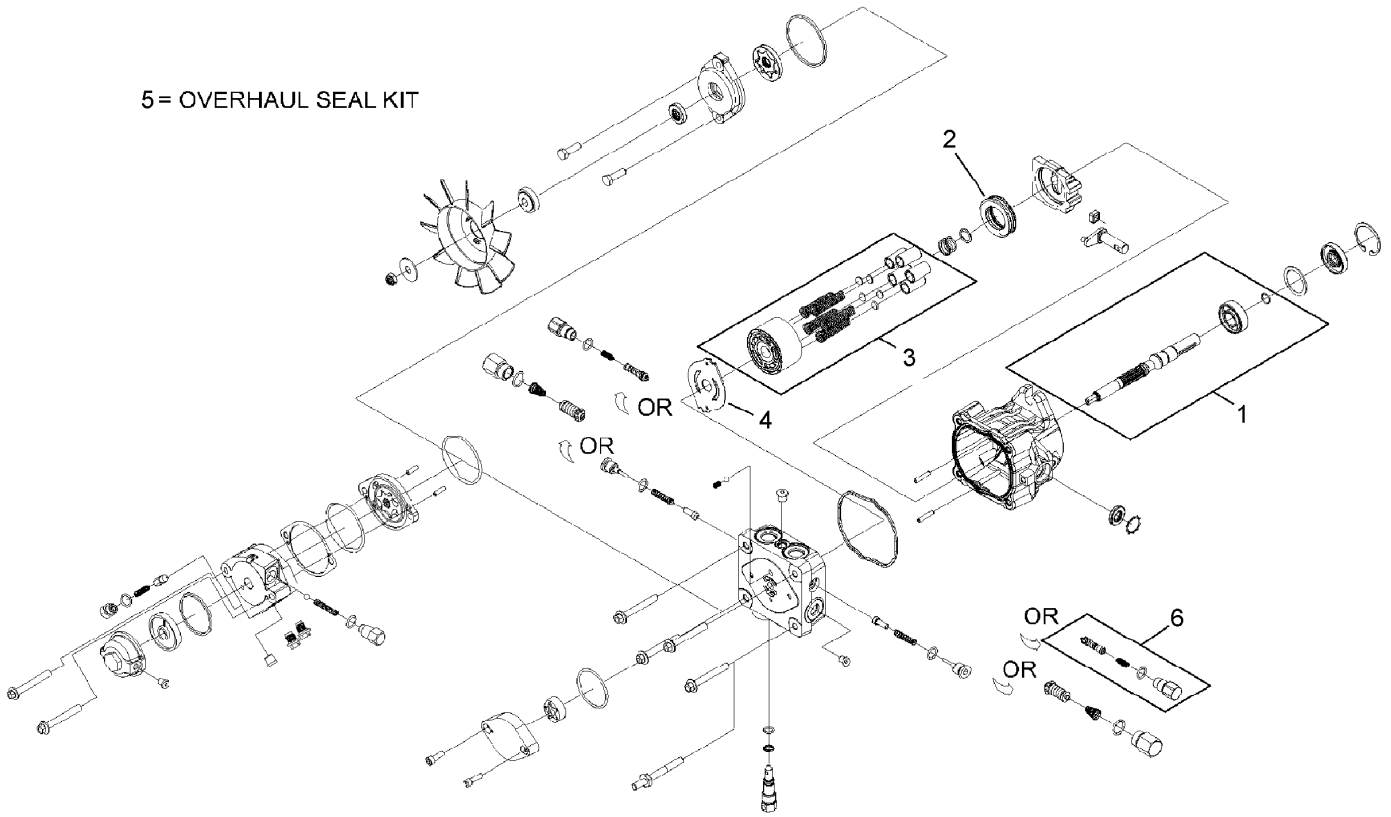
| Ref | Part No. | Qty. | Description |
|-----|----------|------|---------------------|
| 1 | 100-6131 | 1 | Seal Kit |
| 1:1 | | 1 | Seal-Dirt And Water |
| 1:2 | | 1 | Washer-Backup |
| 1:3 | | 5 | Seal-Ring |
| 1:4 | | 1 | Washer-Backup |
| 1:5 | | 1 | Seal-Inner |
| 1:6 | | 1 | Seal-Commutator |
| 2 | 99-3090 | 1 | Shaft-Coupling |
| 3 | 3257-42 | 1 | Key-Woodruff |

5 = OVERHAUL SEAL KIT



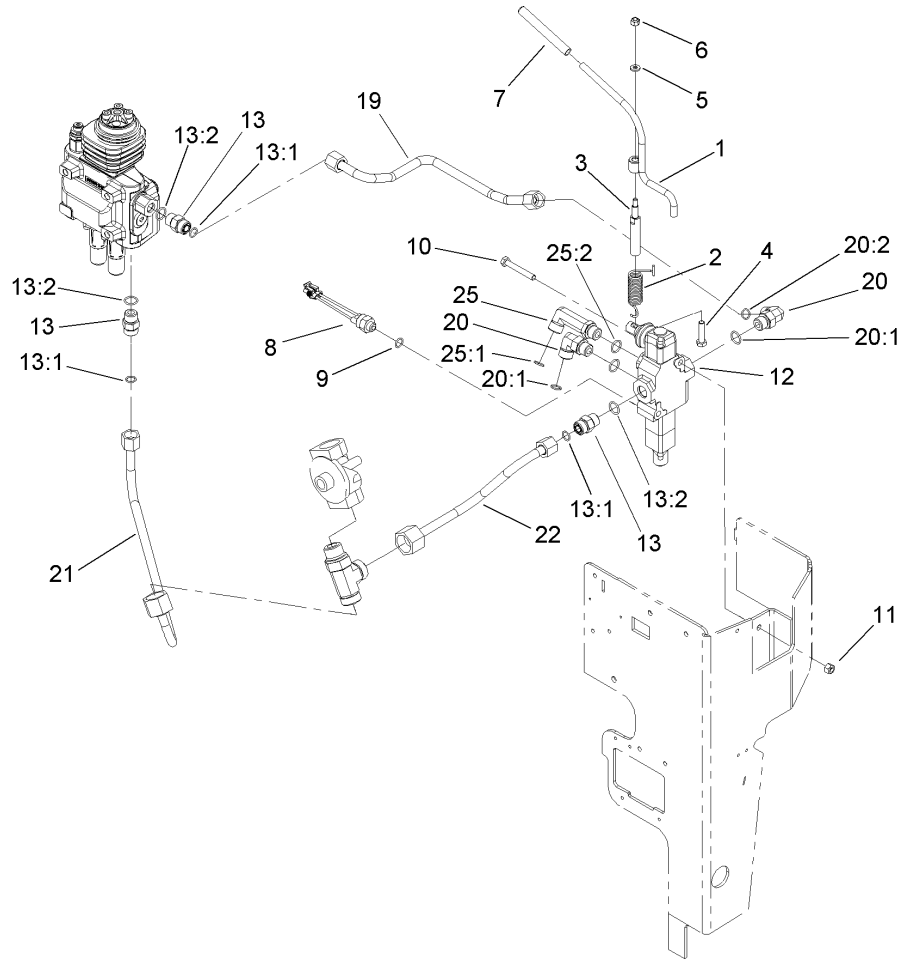
Hydraulic Pump Assembly No. 106-9470

| Ref | Part No. | Qty. | Description |
|-----|----------|------|--------------------|
| 1 | 103-2664 | 1 | Input Shaft Kit |
| 2 | 103-2665 | 1 | Thrust Bearing Kit |
| 3 | 103-2666 | 1 | Cylinder Block Kit |
| 4 | 105-6185 | 1 | Plate-Valve |
| 5 | 105-6184 | 1 | Seal Overhaul Kit |
| 6 | 106-9498 | 1 | Shock Valve Kit |



Hydraulic Pump Assembly No. 106-9471

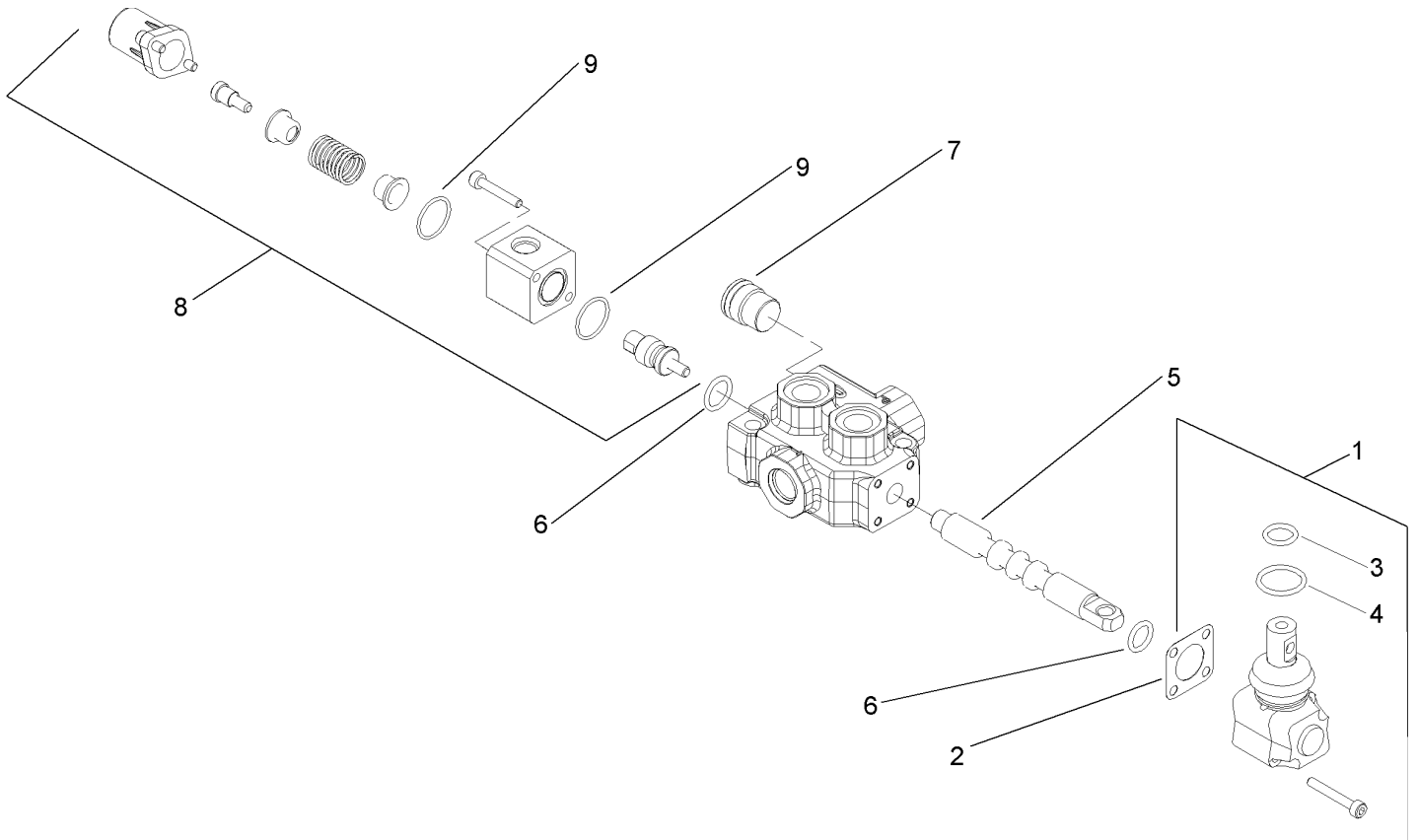
| Ref | Part No. | Qty. | Description |
|-----|----------|------|--------------------|
| 1 | 103-2664 | 1 | Input Shaft Kit |
| 2 | 103-2665 | 1 | Thrust Bearing Kit |
| 3 | 103-2666 | 1 | Cylinder Block Kit |
| 4 | 105-6185 | 1 | Plate-Valve |
| 5 | 105-6184 | 1 | Seal Overhaul Kit |
| 6 | 106-9498 | 1 | Shock Valve Kit |



Principle Hydraulic Assembly

| Ref | Part No. | Qty. | Description |
|------|----------|------|-----------------------|
| 1 | 100-4246 | 1 | Auxiliary Lever ASM |
| 2 | 100-6129 | 1 | Spring-Torsion |
| 3 | 104-2827 | 1 | Spacer-Hiflo |
| 4 | 48-7740 | 1 | Screw |
| 5 | 3256-16 | 1 | Washer-Flat |
| 6 | 3296-42 | 1 | Nut-Lock, NI |
| 7 | 92-6798 | 1 | Cap-Rod, Tilt |
| 8 | 72-4310 | 1 | Switch-Ball |
| 9 | 237-42 | 1 | O-Ring |
| 10 | 322-11 | 2 | Screw-HH |
| 11 | 3296-29 | 2 | Nut-Lock, NI |
| 12 | 106-9405 | 1 | Valve-1 Spool |
| 13 | 340-4 | 3 | Fitting-Hyd, Straight |
| 13:1 | 237-30 | 1 | O-Ring |
| 13:2 | 237-79 | 1 | O-Ring |
| 19 | 106-9437 | 1 | Hydraulic Tube ASM |
| 20 | 340-98 | 2 | Fitting-Hyd, 90 DEG |
| 20:1 | 237-79 | 1 | O-Ring |
| 20:2 | 237-30 | 1 | O-Ring |
| 21 | 106-9444 | 1 | Hydraulic Tube ASM |
| 22 | 106-9443 | 1 | Hydraulic Tube ASM |
| 25 | 99-6160 | 1 | Fitting-Elbow, 90 DEG |
| 25:1 | 237-30 | 1 | O-Ring |
| 25:2 | 237-79 | 1 | O-Ring |

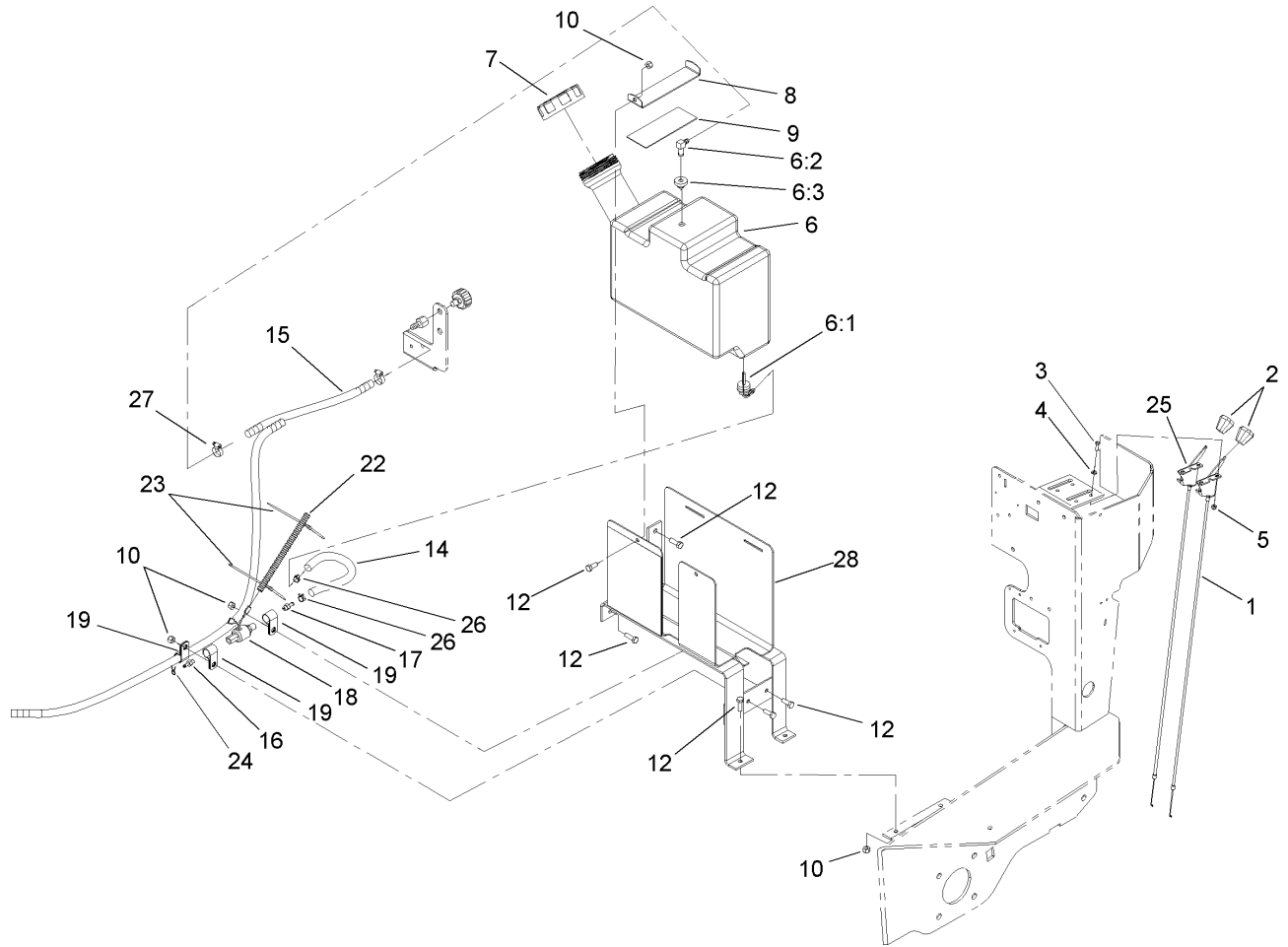
| | | | |
|--|--|--|--|
| | | | |
|--|--|--|--|



Spool Valve Assembly No. 106-9405

| Ref | Part No. | Qty. | Description |
|-----|----------|------|---------------------|
| 1 | 100-7229 | 1 | Kit-Lever ASM |
| 2 | 99-3075 | 1 | Gasket |
| 3 | 107-3564 | 1 | Seal-Lever |
| 4 | 107-3566 | 1 | Seal-Lever |
| 5 | 107-3567 | 1 | Spool-Valve |
| 6 | 106-7719 | 2 | Seal-Valve |
| 7 | 107-3569 | 1 | Plug-Cavity, Relief |
| 8 | 107-3571 | 1 | Kit-Spring, End Cap |
| 9 | 107-3572 | 2 | Seal-End Cap |

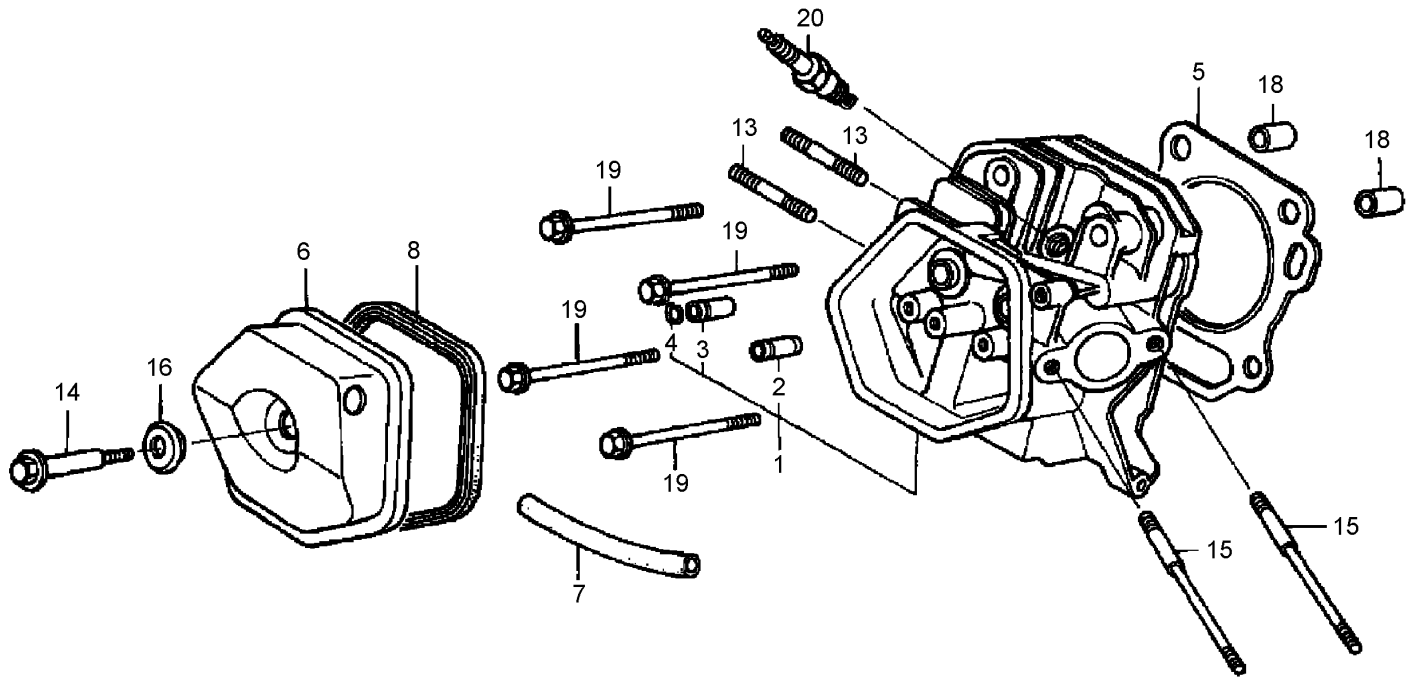
| | | | |
|--|--|--|--|
| | | | |
|--|--|--|--|



Fuel Tank Assembly

| Ref | Part No. | Qty. | Description |
|-----|-------------|------|------------------------|
| 1 | 106-9435 | 1 | Cable-Choke |
| 2 | 66-0120 | 2 | Knob |
| 3 | 3290-134 | 4 | Screw |
| 4 | 3256-21 | 4 | Washer-Flat |
| 5 | 3296-2 | 4 | Nut-Lock |
| 6 | 106-9460 | 1 | Fuel Tank ASM |
| 6:1 | 103-2605 | 1 | Fitting-Fuel, Bulkhead |
| 6:2 | 100-1597 | 1 | Fitting-90 Degree |
| 6:3 | 46-6560 | 1 | Bushing |
| 7 | 95-4192 | 1 | Unleaded Gas Cap ASM |
| 8 | 106-9457-03 | 2 | Strap-Tank |
| 9 | 106-9488 | 2 | Felt-Strap |
| 10 | 3296-29 | 8 | Nut-Lock, NI |
| 12 | 322-5 | 8 | Screw-HH |
| 14 | 104-4119 | 1 | Hose-Fuel |
| 15 | 104-4848 | 1 | Hose-Fuel |
| 16 | 354-22 | 1 | Fitting-Barb |
| 17 | 304-73 | 1 | Connector-Hose |
| 18 | 106-9499 | 1 | Valve-Shutoff, Fuel |
| 19 | 2412-81 | 3 | Clamp-R |
| 22 | 106-9504 | 1 | Cover-Brace |
| 23 | 3290-381 | 2 | Tie-Cable |
| 24 | 2412-79 | 1 | Clamp-Hose |
| 25 | 106-9434 | 1 | Cable-Throttle |

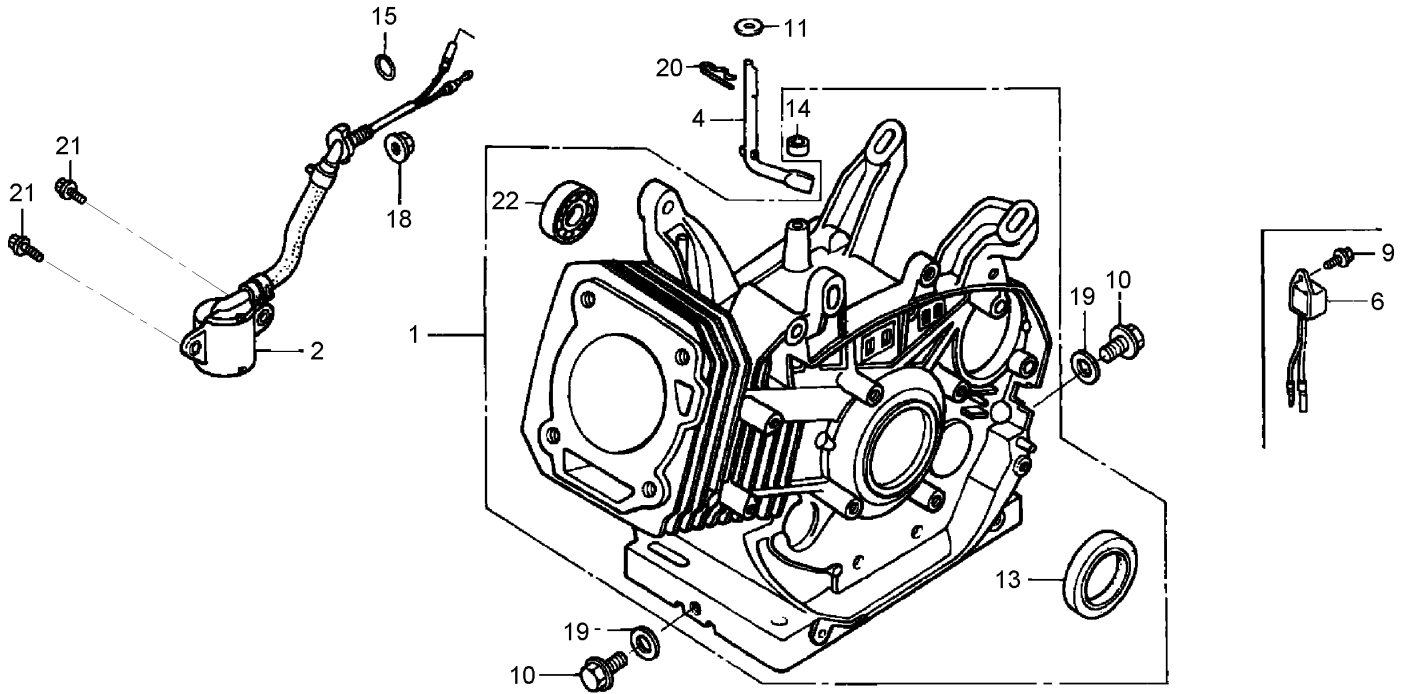
| Ref | Part No. | Qty. | Description |
|-----|----------|------|------------------|
| 26 | 2412-98 | 2 | Clamp |
| 27 | 2412-36 | 1 | Clamp-Hose |
| 28 | 106-9486 | 1 | Tank Bracket ASM |



Cylinder Head Assembly

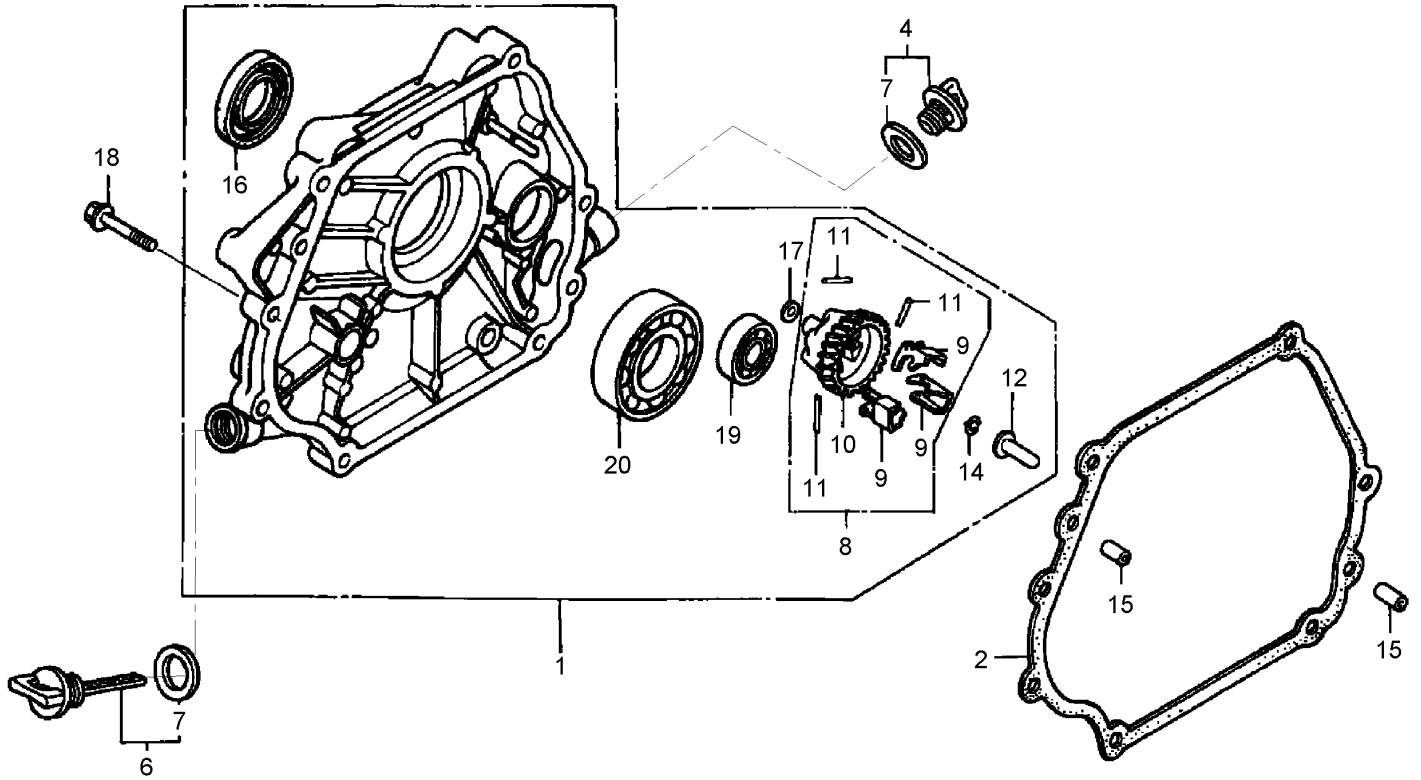
| Ref | Part No. | Qty. | Description |
|-----|-----------------|------|----------------------------|
| ❶ | 12200-ZF6-406 | 1 | Cylinder Head |
| ❷ | 12204-ZE2-306 | 1 | Guide-Valve |
| ❸ | 12205-ZE2-305 | 1 | Guide-Valve, Exhaust |
| ❹ | 12216-ZE2-300 | 1 | Clip-Guide, Valve |
| ❺ | 12251-ZF6-W00 | 1 | Gasket-Cylinder Head |
| ❻ | 12310-ZE2-020 | 1 | Cover-Head |
| ❼ | 95005-11001-30M | 1 | Bulk Hose-Vacuum |
| ❽ | 12391-ZE2-020 | 1 | Gasket-Cylinder Head Cover |
| ❿ | 92900-08032-0E | 2 | Bolt 2-Stud |
| ⓫ | 90014-ZE2-000 | 1 | Bolt-Head Cover |
| ⓬ | 90042-ZE8-000 | 2 | Bolt-Stud |
| ⓭ | 90441-ZE2-010 | 1 | Washer-Head Cover |
| ⓮ | 94301-12200 | 2 | Pin A-Dowel |
| ⓯ | 95701-10080-00 | 4 | Bolt-Flange |

| Ref | Part No. | Qty. | Description |
|-----|-------------|------|-----------------------------|
| ⓰ | 98079-55846 | 1 | Spark Plug (Bpr5es) (Ngk) |
| ⓱ | 98079-55855 | 1 | Spark Plug (W16epu) (Denso) |
| ⓲ | 98079-56846 | 1 | Spark Plug (Bpr6es) (Ngk) |



Cylinder Barrel Assembly

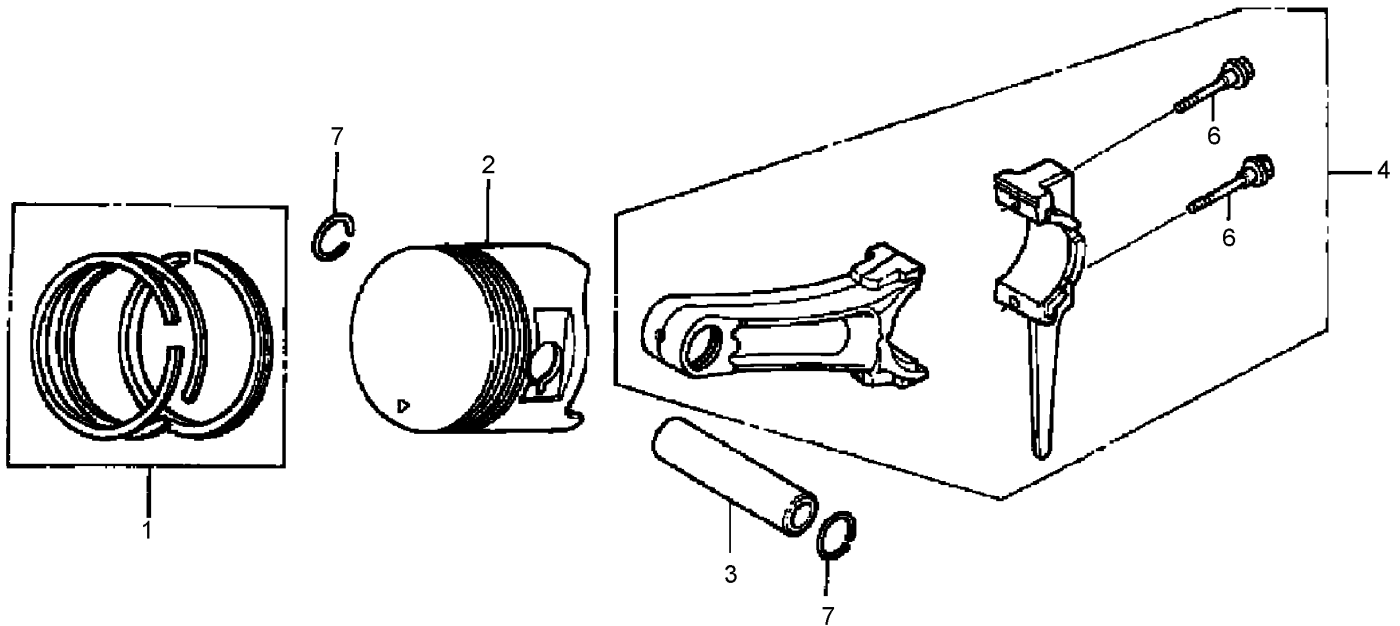
| Ref | Part No. | Qty. | Description | Ref | Part No. | Qty. | Description |
|-----|---------------|------|----------------------|-----|----------------|------|---------------------|
| 1 | 12000-ZF6-425 | 1 | Cylinder ASM | 21 | 95701-06012-00 | 2 | Bolt, Flange |
| 2 | 15510-ZE2-043 | 1 | Switch ASM-Oil Level | 22 | 96100-62020-00 | 1 | Bearing-Radial Ball |
| 4 | 16541-ZE3-010 | 1 | Shaft-Governor Arm | | | | |
| 6 | 34150-ZH7-003 | 1 | Alert Unit-Oil | | | | |
| 9 | 90013-883-000 | 1 | Bolt-Flange | | | | |
| 10 | 90131-883-000 | 2 | Bolt-Drain Plug | | | | |
| 10 | 90131-896-650 | 2 | Bolt-Drain Plug | | | | |
| 11 | 90446-KE1-000 | 1 | Washer | | | | |
| 13 | 91201-ZE3-004 | 1 | Oil Seal | | | | |
| 14 | 91201-ZE9-003 | 1 | Oil Seal | | | | |
| 14 | 91203-952-771 | 1 | Oil Seal | | | | |
| 15 | 91353-671-003 | 1 | O-Ring | | | | |
| 18 | 94050-10000 | 1 | Nut-Flange | | | | |
| 19 | 94109-12000 | 2 | Washer-Drain Plug | | | | |
| 20 | 94251-10000 | 1 | Pin-Lock | | | | |



Crankcase Cover Assembly

| Ref | Part No. | Qty. | Description |
|-----|---------------|------|------------------------|
| 1 | 11300-ZE3-604 | 1 | Cover ASM-Crankcase |
| 2 | 11381-ZE3-801 | 1 | Gasket-Case Cover |
| 4 | 15600-ZG4-003 | 1 | Cap ASM-Oil Filler |
| 6 | 15600-735-003 | 1 | Cap ASM-Oil Filler |
| 7 | 15625-ZE1-003 | 2 | Gasket-Oil Filler Cap |
| 8 | 16510-ZE3-000 | 1 | Governor ASM |
| 9 | 16511-ZE8-000 | 3 | Weight-Governor |
| 10 | 16512-ZE3-000 | 1 | Holder-Governor Weight |
| 11 | 16513-ZE2-000 | 3 | Pin-Governor Weight |
| 12 | 16531-Z0A-000 | 1 | Slider-Governor |
| 14 | 90602-ZE1-000 | 1 | Clip-Governor Holder |
| 15 | 90701-HC4-000 | 2 | Pin-Dowel |
| 16 | 91201-ZE3-004 | 1 | Oil Seal |
| 17 | 94101-06800 | 1 | Washer |

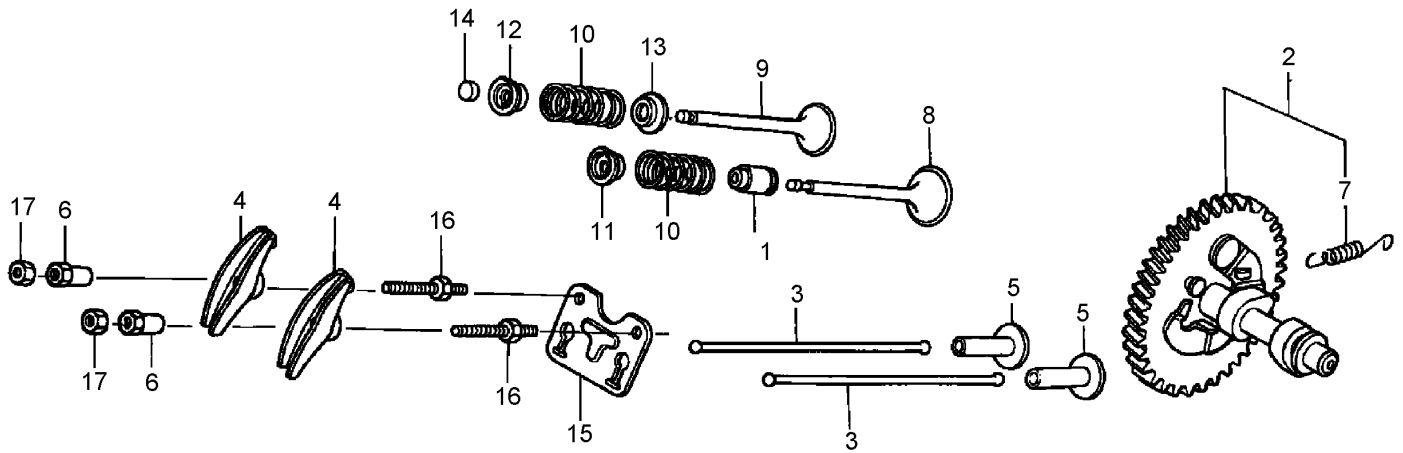
| Ref | Part No. | Qty. | Description |
|-----|----------------|------|---------------------|
| 18 | 95701-08040-00 | 7 | Bolt-Flange |
| 19 | 96100-62020-00 | 1 | Bearing-Radial Ball |
| 20 | 96100-62070-00 | 1 | Bearing-Radial Ball |



Piston Assembly

| Ref | Part No. | Qty. | Description |
|-----|---------------|------|----------------------------------|
| ① | 13010-ZF6-003 | 1 | Ring Set, Piston (Std) |
| ① | 13011-ZF6-003 | 1 | Ring Set, Piston (Os 0.25) |
| ① | 13012-ZF6-003 | 1 | Ring Set, Piston (Os 0.50) |
| ① | 13012-ZF6-005 | 1 | Ring Set, Piston (Os 0.50) |
| ① | 13013-ZF6-003 | 1 | Ring Set, Piston (0.75) (Nippon) |
| ② | 13101-ZF6-W00 | 1 | Piston (Std) |
| ② | 13102-ZF6-W00 | 1 | Piston (Os 0.25) |
| ② | 13103-ZF6-W00 | 1 | Piston (Os 0.50) |
| ② | 13104-ZF6-W00 | 1 | Piston (0.75) |
| ③ | 13111-ZF6-W00 | 1 | Pin, Piston |
| ④ | 13200-ZE3-020 | 1 | Rod ASM-Connecting (Std) |
| ④ | 13200-ZE3-315 | 1 | Rod ASM-Connecting (Us 0.25) |
| ⑥ | 90001-ZE8-000 | 2 | Bolt-Connecting Rod |

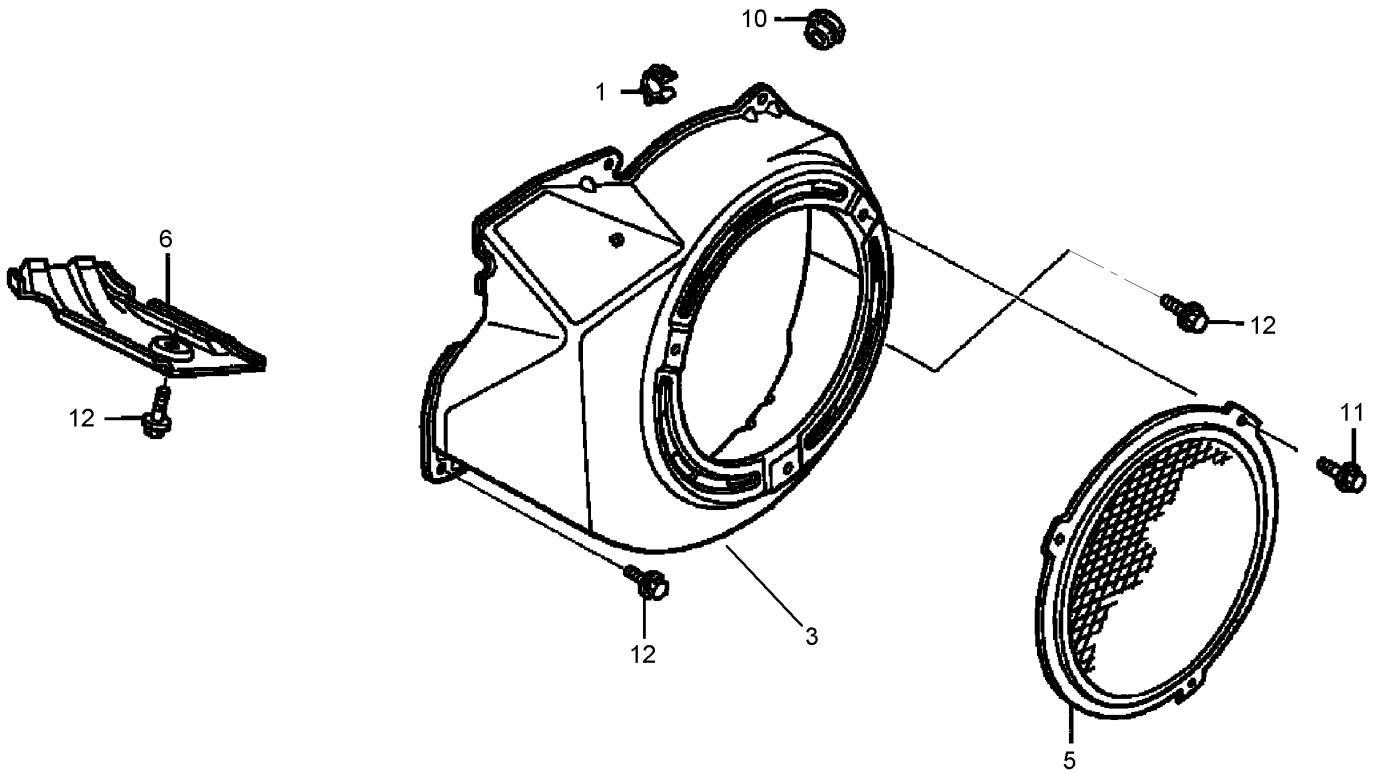
| Ref | Part No. | Qty. | Description |
|-----|---------------|------|------------------------|
| ⑦ | 90601-ZE3-000 | 2 | Clip-Piston Pin (20mm) |



Camshaft Assembly

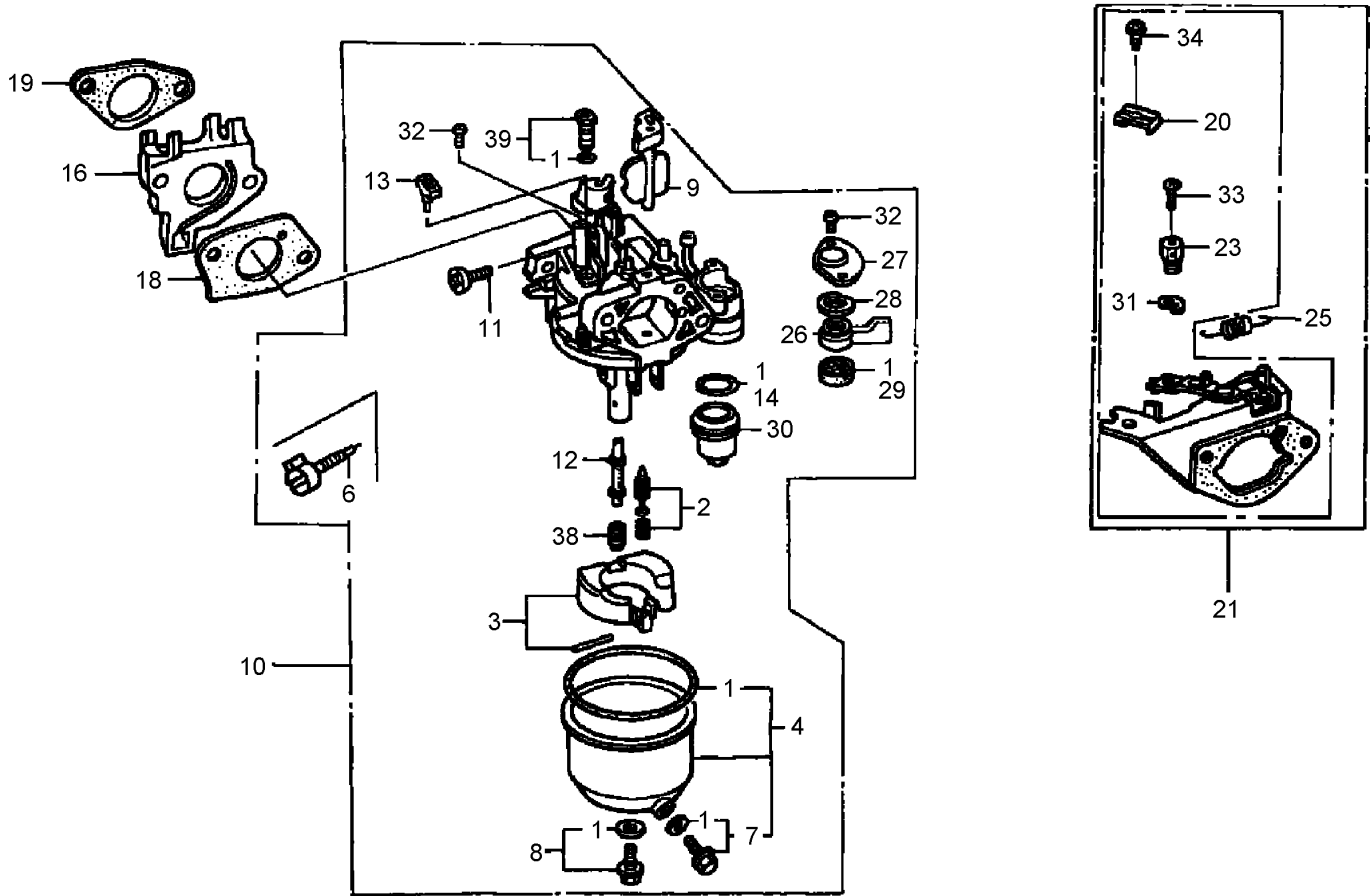
| Ref | Part No. | Qty. | Description |
|-----|---------------|------|-----------------------|
| 1 | 12209-ZE8-003 | 1 | Seal, Valve Stem |
| 2 | 14100-ZF6-W01 | 1 | Camshaft ASM |
| 3 | 14410-ZE3-013 | 2 | Rod, Push |
| 4 | 14431-ZE2-010 | 2 | Arm, Valve Rocker |
| 5 | 14441-ZE2-000 | 2 | Lifter, Valve |
| 6 | 14451-ZE1-013 | 2 | Pivot, Rocker Arm |
| 7 | 14568-ZE1-000 | 1 | Spring, Weight Return |
| 8 | 14711-ZE3-000 | 1 | Valve-Intake |
| 9 | 14721-ZE3-000 | 1 | Valve-Exhaust |
| 10 | 14751-ZE2-003 | 2 | Spring-Valve |
| 11 | 14771-ZE2-000 | 1 | Retainer, In. Valve |
| 12 | 14773-ZE2-000 | 1 | Retainer, Ex. Valve |
| 13 | 14775-ZE2-010 | 1 | Seat-Valve Spring |

| Ref | Part No. | Qty. | Description |
|-----|---------------|------|-------------------|
| 14 | 14781-ZE2-000 | 1 | Rotator-Valve |
| 15 | 14791-ZE2-010 | 1 | Plate-Push Rod |
| 16 | 90012-ZE0-010 | 2 | Bolt, Pivot (8mm) |
| 17 | 90206-ZE1-000 | 2 | Nut-Pivot Adj |



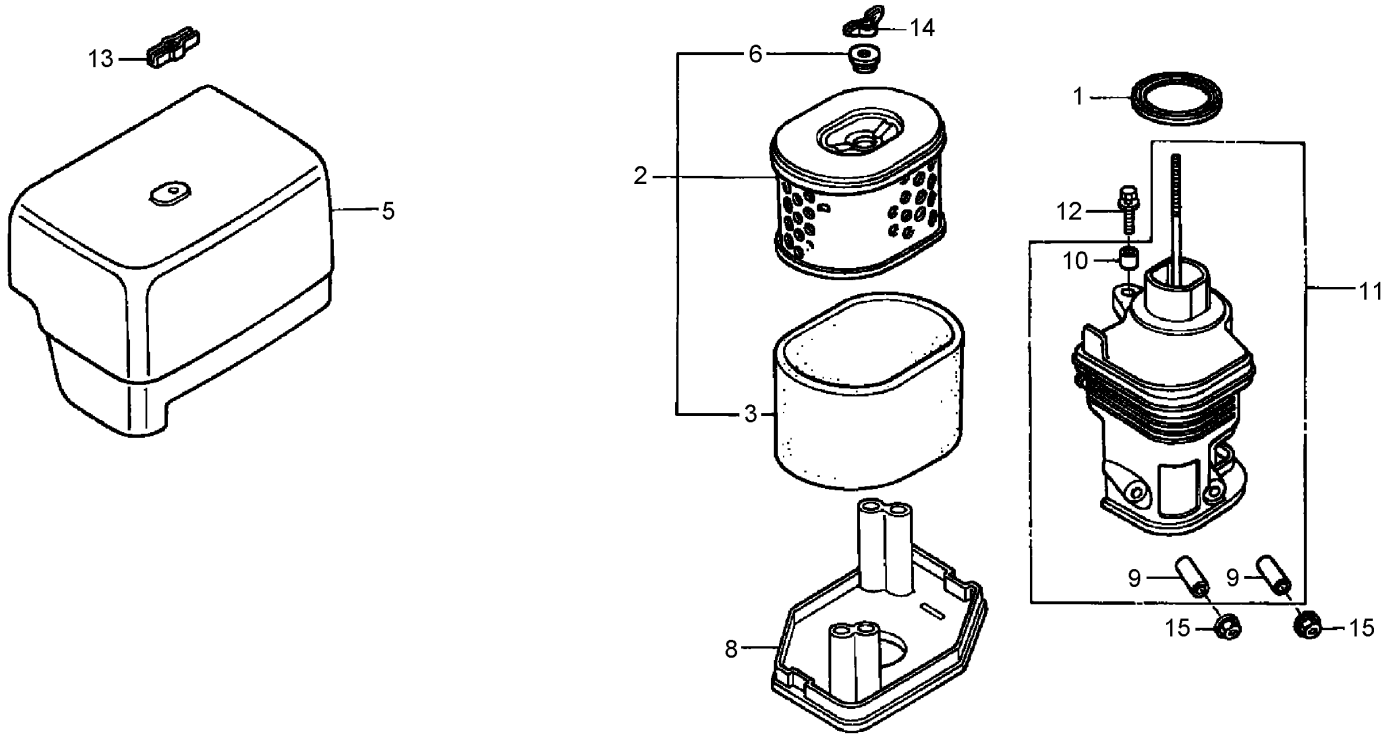
Fan Cover Assembly

| Ref | Part No. | Qty. | Description | | | | |
|-----|-----------------|------|------------------------|--|--|--|--|
| 1 | 16731-ZE2-003 | 1 | Clip-Tube | | | | |
| 3 | 19610-ZE3-010ZL | 1 | Cover-Fan R280 (Power) | | | | |
| 5 | 19620-ZE3-811 | 1 | Protector-Fan Cover | | | | |
| 6 | 19631-ZE3-W00 | 1 | Shroud | | | | |
| 10 | 81329-567-020 | 1 | Grommet-Drain Hole | | | | |
| 11 | 90008-ZE2-003 | 3 | Bolt-Flange | | | | |
| 12 | 90013-883-000 | 6 | Bolt-Flange | | | | |



Carburetor Assembly

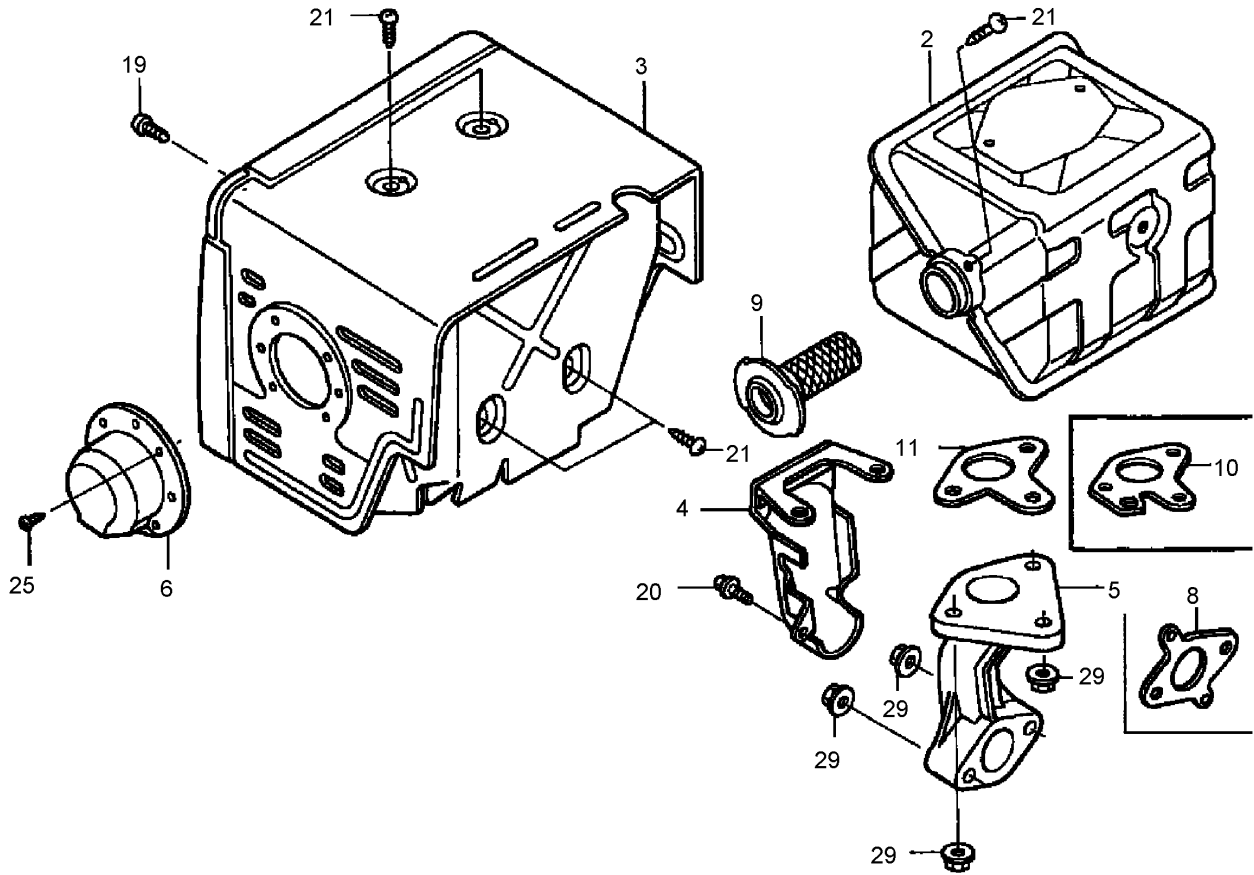
| Ref | Part No. | Qty. | Description | Ref | Part No. | Qty. | Description |
|-----|---------------|------|------------------------|-----|---------------|------|-------------------------|
| ❶ | 16010-ZE2-812 | 1 | Gasket Set | ❶❷ | 16211-ZF6-000 | 1 | Insulator-Carburetor |
| ❷ | 16011-ZA0-931 | 1 | Valve Set-Float | ❶❸ | 16221-ZF6-800 | 1 | Gasket-Carburetor |
| ❸ | 16013-ZA0-931 | 1 | Float Set | ❶❹ | 16223-ZE3-W00 | 1 | Gasket-Insulator |
| ❹ | 16015-ZE8-005 | 1 | Chamber Set-Float | ❶❺ | 16576-891-000 | 1 | Holder-Cable |
| ❻ | 16016-ZH7-W01 | 1 | Screw Set | ❶❻ | 16590-ZE2-812 | 1 | Stay ASM-Choke (Remote) |
| ❼ | 16024-ZE1-811 | 1 | Screw Set-Drain | ❶❼ | 16594-883-010 | 1 | Holder-Wire |
| ❸ | 16028-ZE0-005 | 1 | Screw Set B | ❶❽ | 16615-ZE2-810 | 1 | Spring-Return |
| ❹ | 16044-ZE3-W20 | 1 | Choke Set | ❶❽ | 16953-ZE1-812 | 1 | Lever-Valve |
| ❺ | 16100-ZF6-V01 | 1 | Carburetor ASM (Be85b) | ❶❽ | 16954-ZE1-812 | 1 | Plate-Lever Setting |
| ❻ | 16124-ZE0-005 | 1 | Screw-Throttle Stop | ❶❽ | 16956-ZE1-811 | 1 | Spring-Valve Lever |
| ❼ | 16166-ZF6-V00 | 1 | Nozzle-Main | ❶❽ | 16957-ZE1-812 | 1 | Gasket-Valve |
| ❸ | 16172-ZE3-W10 | 1 | Collar-Set | ❶❽ | 16967-ZE0-811 | 1 | Cup-Fuel Strainer |
| ❷ | 16173-001-004 | 1 | Gasket-Fuel Strainer | ❶❽ | 90605-230-000 | 1 | Circlip (5mm) |
| | | | | ❶❽ | 93500-03006 | 2 | Screw-Pan (3x6) |



Air Cleaner Assembly

| Ref | Part No. | Qty. | Description |
|-----|---------------|------|--------------------------|
| ❶ | 16271-ZE2-010 | 1 | Gasket-Elbow |
| ❷ | 17210-ZE3-505 | 1 | Element-Air Cleaner |
| ❸ | 17218-ZE3-000 | 1 | Filter (Outer) |
| ❺ | 17231-ZE3-W01 | 1 | Cover-Air Cleaner |
| ❻ | 17232-891-000 | 1 | Grommet-Air Cleaner |
| ❸ | 17235-ZH9-N00 | 1 | Nose-Muffler |
| ❹ | 17238-ZE2-310 | 2 | Collar-Air Cleaner |
| ❿ | 17239-ZE1-000 | 1 | Collar B-Air Cleaner |
| ❾ | 17410-ZH9-N00 | 1 | Elbow-Air Cleaner |
| ❶❷ | 90009-ZE2-003 | 1 | Bolt-Washer (6x22) |
| ❶❸ | 90203-ZA0-800 | 1 | Wingnut (6mm) |
| ❶❹ | 90325-044-000 | 1 | Wingnut-Tool Box Setting |
| ❶❺ | 94050-06000 | 2 | Nut-Flange (6mm) |

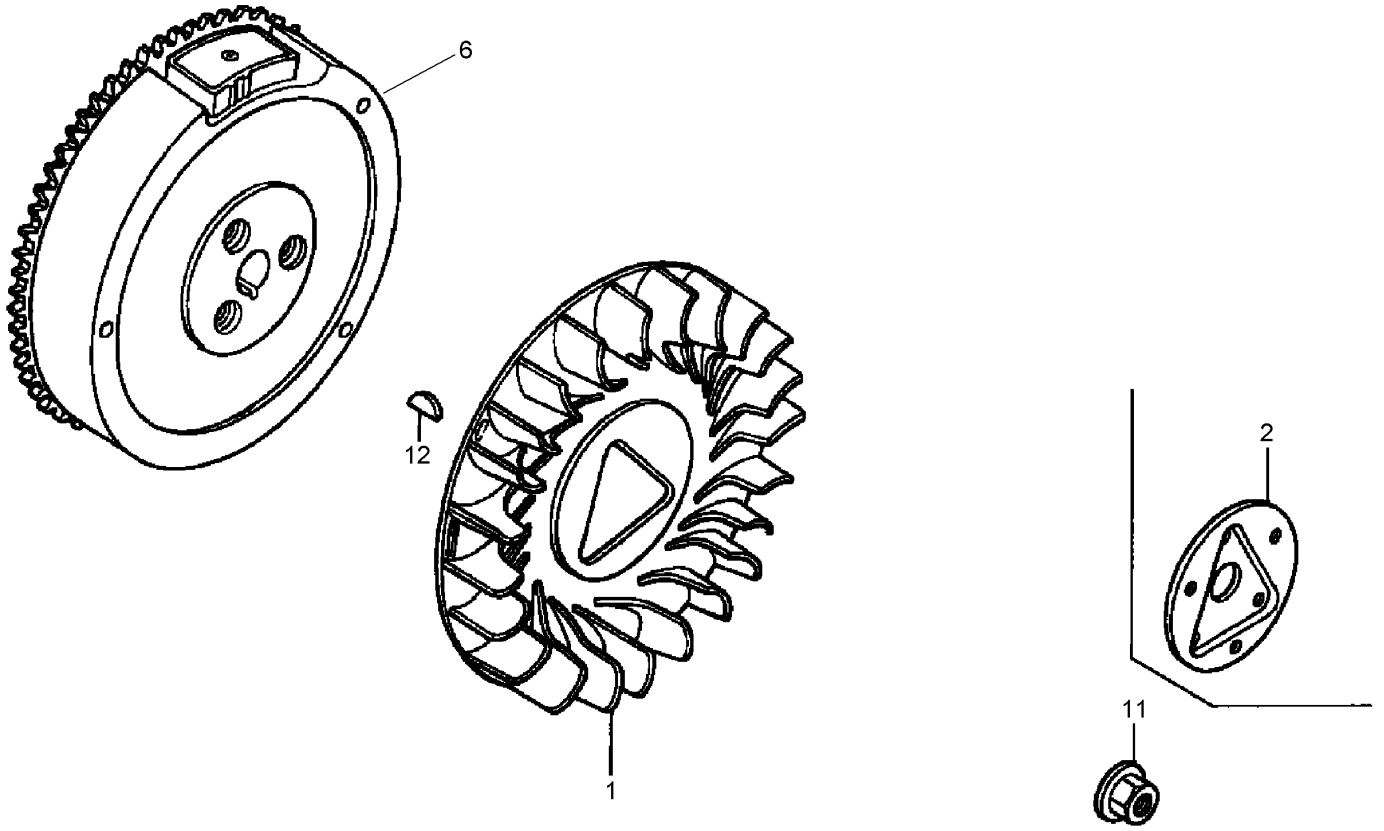
| | | | |
|--|--|--|--|
| | | | |
|--|--|--|--|



Muffler Assembly

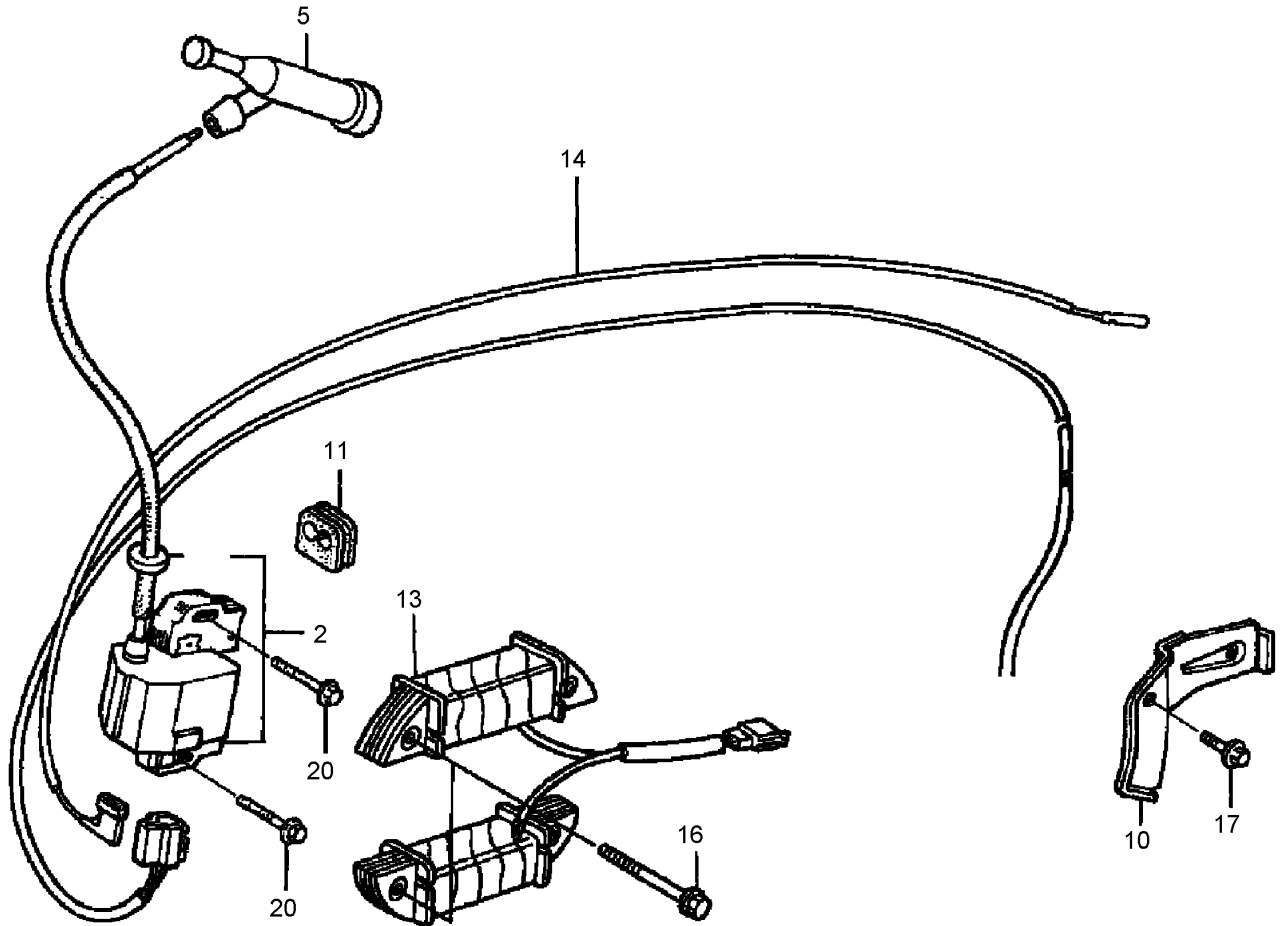
| Ref | Part No. | Qty. | Description |
|-----|---------------|------|---------------------------|
| 2 | 18310-ZE2-W61 | 1 | Muffler (100db) |
| 3 | 18320-ZE2-W61 | 1 | Protector-Muffler |
| 4 | 18323-ZE3-W40 | 1 | Protector-Exhaust Pipe |
| 5 | 18330-ZE2-W00 | 1 | Pipe-Exhaust |
| 6 | 18331-ZE3-810 | 1 | Cap-Muffler |
| 8 | 18333-ZF6-W01 | 1 | Gasket-Exhaust Pipe |
| 9 | 18355-ZE2-W00 | 1 | Arrester-Spark |
| 10 | 18381-ZE2-W10 | 1 | Gasket-Muffler (Arrester) |
| 11 | 18381-ZE2-800 | 1 | Gasket-Muffler |
| 19 | 90006-ZE2-000 | 1 | Screw-Tapping (6x10) |
| 20 | 90013-883-000 | 1 | Bolt-Flange |
| 21 | 90050-ZE1-000 | 4 | Screw-Tapping (5x8) |
| 25 | 90055-ZE1-000 | 3 | Screw-Tapping (4x6) |
| 29 | 94050-08000 | 5 | Nut-Flange (8mm) |

| | | | |
|--|--|--|--|
| | | | |
|--|--|--|--|



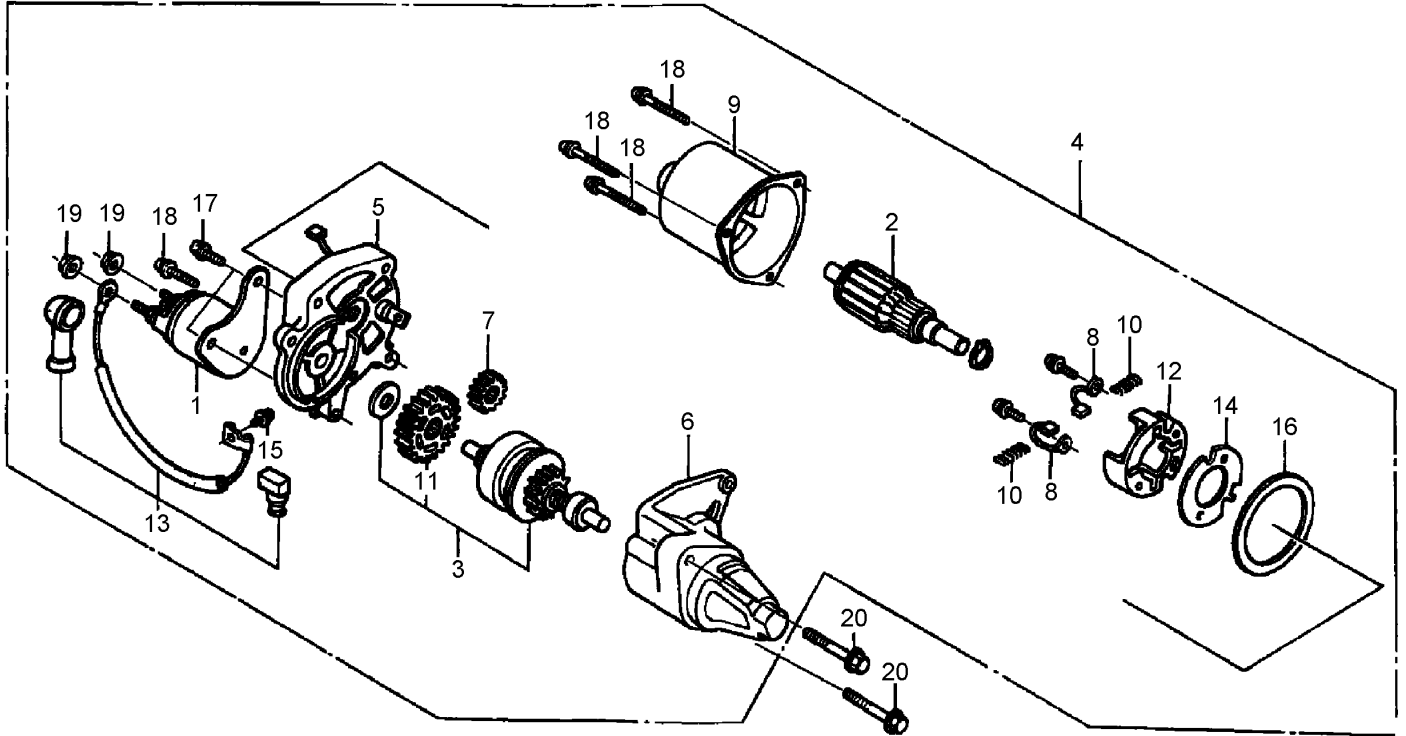
Flywheel Assembly

| Ref | Part No. | Qty. | Description | | | | |
|-----|---------------|------|---------------------------|--|--|--|--|
| ① | 19511-ZE3-000 | 1 | Fan-Cooling | | | | |
| ② | 19512-ZE2-000 | 1 | Plate-Cooling Fan Setting | | | | |
| ⑥ | 31100-ZE3-W01 | 1 | Flywheel (4 Pole) | | | | |
| ⑪ | 90201-ZE3-V00 | 1 | Nut-Special (16mm) (1) | | | | |
| ⑫ | 90741-ZE2-000 | 1 | Key-Woodruff (25x18) | | | | |



Ignition Coil Assembly

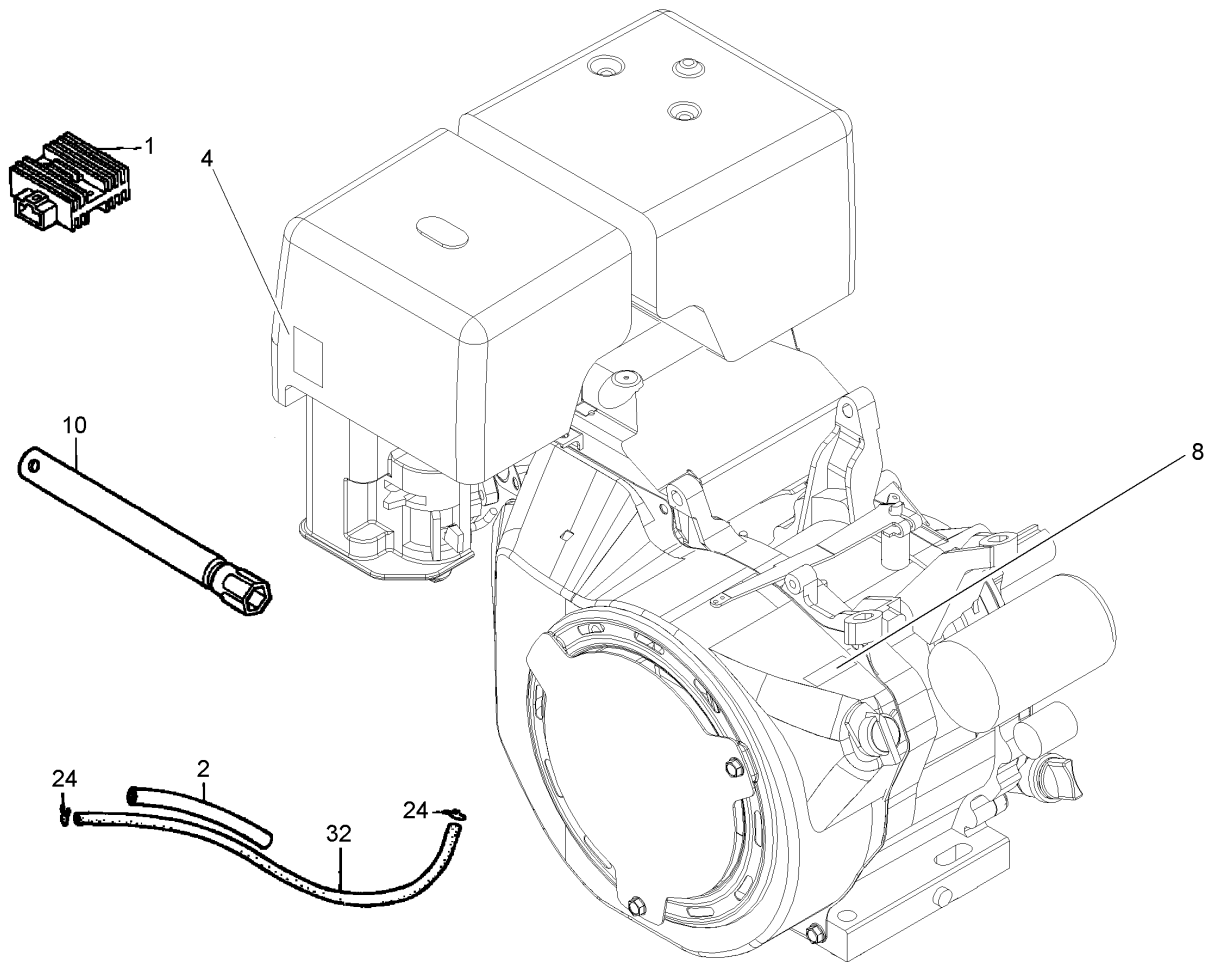
| Ref | Part No. | Qty. | Description | | | | |
|-----|---------------|------|---------------------------|--|--|--|--|
| 2 | 30500-ZF6-W02 | 1 | Coil ASM-Ignition | | | | |
| 5 | 30700-ZE1-013 | 1 | Cap ASM- Noise Suppressor | | | | |
| 10 | 31511-ZE3-000 | 1 | Clamp-Wire | | | | |
| 11 | 31512-ZE2-000 | 1 | Grommet-Wire | | | | |
| 13 | 31630-ZE2-861 | 1 | Coil ASM-Charge (10a) | | | | |
| 14 | 36101-ZE2-701 | 1 | Wire-Stop Switch (430mm) | | | | |
| 16 | 90012-888-000 | 4 | Bolt-Flange (6x40) | | | | |
| 17 | 90013-883-000 | 1 | Bolt-Flange | | | | |
| 20 | 90015-883-000 | 2 | Bolt-Flange (6x28) | | | | |



Starter Motor Assembly

| Ref | Part No. | Qty. | Description |
|-----|---------------|------|---------------------|
| 1 | 31204-ZA0-003 | 1 | Contactora ASM |
| 2 | 31206-ZE3-003 | 1 | Armature |
| 3 | 31207-ZE3-003 | 1 | Clutch-Overrunning |
| 4 | 31210-ZE3-013 | 1 | Motor Unit-Starter |
| 5 | 31211-ZE2-003 | 1 | Bracket-Center |
| 6 | 31212-ZE3-003 | 1 | Bracket-Fr |
| 7 | 31213-ZE2-003 | 1 | Gear-Drive Pinion |
| 8 | 31215-ZE2-003 | 2 | Brush |
| 9 | 31218-ZE3-003 | 1 | Yoke |
| 10 | 31219-ZE2-003 | 4 | Spring-Brush Return |
| 11 | 31222-ZE3-791 | 1 | Gear-Reduction |
| 12 | 31231-ZE2-003 | 1 | Holder-Brush |
| 13 | 31232-ZE3-003 | 1 | Wire-Water Cover |

| Ref | Part No. | Qty. | Description |
|-----|----------------|------|--------------------|
| 14 | 31233-ZE2-003 | 1 | Insulator |
| 15 | 90110-ZE2-003 | 1 | Screw-Washer (4x6) |
| 16 | 91601-ZE2-003 | 1 | Gasket |
| 17 | 90007-ZE2-003 | 2 | Bolt-Washer (5x14) |
| 18 | 93892-05032-08 | 4 | Screw-Washer (5x3) |
| 19 | 94070-06080 | 2 | Nut-Washer (6mm) |
| 20 | 95701-08035-08 | 2 | Bolt-Flange (8x35) |



Miscellaneous Part Assembly

| Ref | Part No. | Qty. | Description | | | | |
|-----|-----------------|------|--------------------------------|--|--|--|--|
| ① | 31600-ZE2-861 | 1 | Rectifier ASM-Regulator | | | | |
| ② | 16854-ZH8-000 | 1 | Rubber-Supporter (107mm) | | | | |
| ④ | 87528-ZE2-810 | 1 | Mark-Choke (External) | | | | |
| ⑧ | 87532-ZH8-810 | 1 | Mark, Oil Alert (E) | | | | |
| ⑩ | 89218-ZE1-000 | 1 | Wrench-Spark Plug | | | | |
| ⑳ | 95002-02080 | 2 | Clip-Tube (B8) | | | | |
| ㉓ | 95001-45003-60M | 1 | Hose-Fuel (4.5x3000) (4.5x235) | | | | |

NOTES

NOTES

