



Workman[®] 2110 Utility Vehicle

Model No. 07277TC - 240000001 and up.

Parts Catalog

Ordering Replacement Parts

To order replacement parts, please supply the part number, the quantity, and the description of each part desired.

Understanding Reference Numbers

Each Identified part in an illustration has a reference number. The reference number for a part also appears in the parts list, along with other information about the part.

This catalog uses two special reference number formats, one to indicate parts in a service assembly and another to indicate the quantity of a given part in an illustration.

Service Assembly Reference Numbers

Parts in service assemblies have reference numbers in the form a:b. The a represents the reference number of the entire service assembly and the b represents a sequential number unique to each part within the service assembly.

For example, a wheel assembly might be identified by reference number 6, the tire by 6:1, the valve by 6:2, and the wheel by 6:3. When you order the assembly identified by reference number 6, you receive all parts identified by reference numbers 6:1, 6:2, and 6:3. However, you may also order any part individually. Reference numbers of this type appear in illustrations and in part lists.

Reference Numbers Indicating Quantity

In an illustration, if a reference number indicates more than one part, the reference number has the form nX y. The n represents the quantity of the part, the X is the multiplication symbol, and the y represents the reference number.

For example, in an illustration, the reference number 2X 37 means that two of the parts identified by reference number 37 are indicated.

Contents

| Description | Page | Description | Page |
|--|------|--|------|
| Hood and Fender Assembly | 3 | Crankcase Assembly Briggs and Stratton 303440-1326-E1 | 30 |
| Pedal Assembly | 4 | Crankshaft Assembly Briggs and Stratton 303440-1326-E1 | 31 |
| Shifter Assembly | 5 | Cylinder Head Assembly Briggs and Stratton 303440-1326-E1 | 32 |
| Frame Assembly | 6 | Oil Filter, Tube and Pump Assembly Briggs and Stratton 303440-1326-E1 | 33 |
| Seat Base Assembly | 7 | Carburetor Assembly Briggs and Stratton 303440-1326-E1 | 34 |
| Front Tire and Steering Assembly | 8 | Intake Manifold Assembly Briggs and Stratton 303440-1326-E1 | 35 |
| Engine and Clutch Assembly | 9 | Governor Assembly Briggs and Stratton 303440-1326-E1 | 36 |
| Drive Clutch Assembly No. 99-7145 | 11 | Flywheel Assembly Briggs and Stratton 303440-1326-E1 | 37 |
| Starter Generator Assembly No. 99-7108 | 12 | Blower Housing Assembly Briggs and Stratton 303440-1326-E1 | 38 |
| Rear Tire and Transaxle Assembly | 13 | Gasket Assembly Briggs and Stratton 303440- 1326-E1 | 39 |
| Transaxle Assembly No. 107-0360 | 14 | Carburetor Overhaul Kit Assembly Briggs and Stratton 303440-1326-E1 | 40 |
| Driven Clutch Assembly No. 99-7104 | 16 | | |
| Left Hand Brake Assembly No. 104-6807 | 17 | | |
| Right Hand Brake Assembly No. 104-6806 | 18 | | |
| Drivetrain Mount Assembly | 19 | | |
| Air Cleaner Assembly No. 99-7120 | 20 | | |
| Upper Steering Assembly | 21 | | |
| Steering Gearbox Assembly No. 99-7660 | 22 | | |
| Box Assembly | 23 | | |
| Box and Tailgate Assembly | 24 | | |
| Hydraulic Brake Assembly | 25 | | |
| Left Hand Caliper Assembly No. 107-0361 | 26 | | |
| Right Hand Caliper Assembly No. 107-0362 | 27 | | |
| Master Cylinder Assembly No. 104-6782 | 28 | | |
| Cylinder Assembly Briggs and Stratton 303440- 1326-E1 | 29 | | |

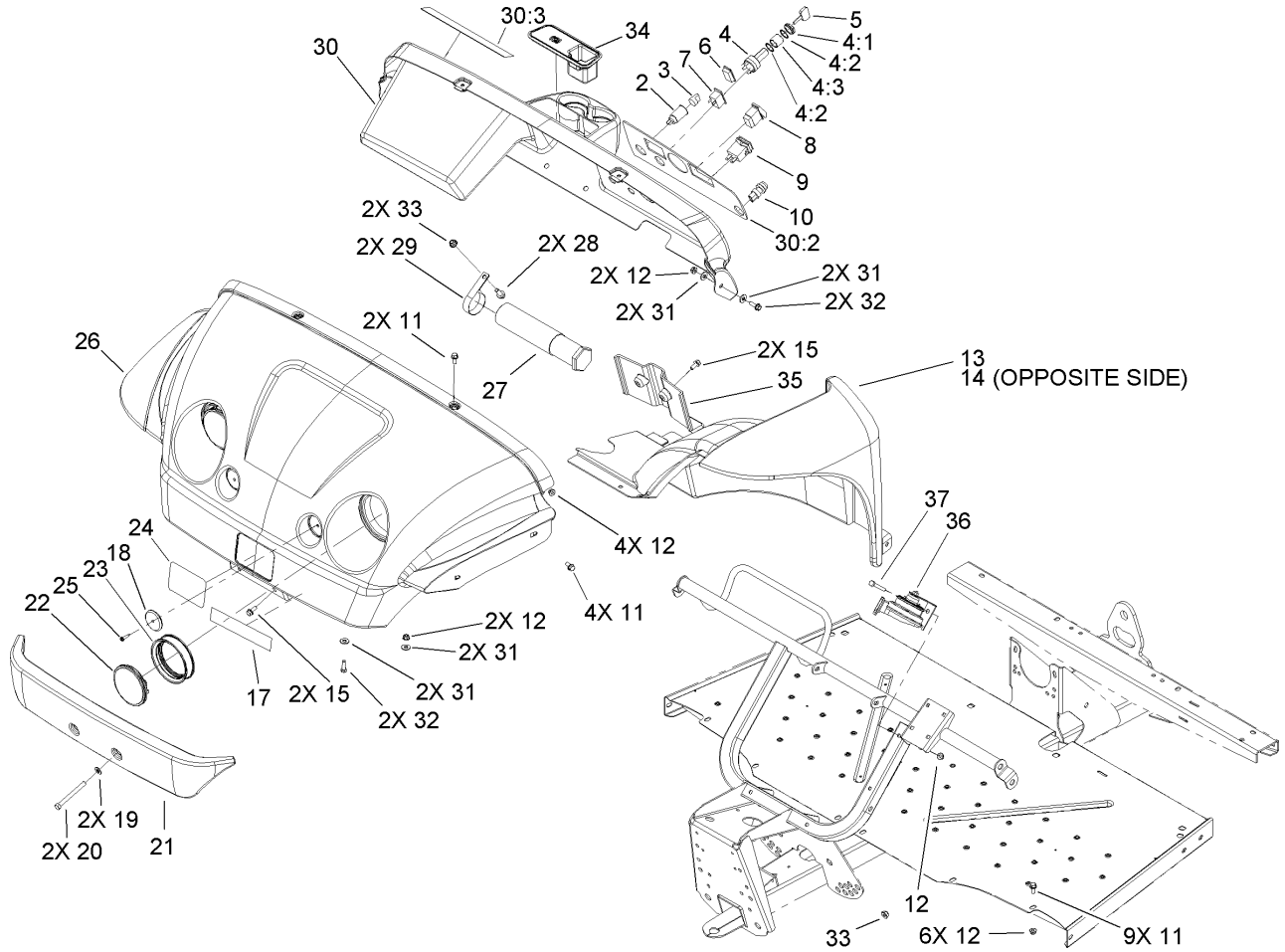
Part Description Abbreviations

Part descriptions in this catalog may include the following abbreviations.

| | |
|--|------------------------------------|
| AR. as required | INC. incorporated |
| ASM. assembly | LH. left hand |
| CARR. carriage | NI. nylon insert |
| DEG. degrees | PPH. phillips pan head |
| FH. flat head | PTH. phillips truss head |
| GA. gauge | PTO. power take off |
| HF. hex flange | RH. right hand |
| HH. hex head | SFH. slotted fillister head |
| HHF. hex head flange | SHH. slotted hex head |
| HHFTF. hex head flange thread forming | SHWH. slotted hex washer head |
| HJ. hex jam | SPH. slotted pan head |
| HLH. hex lag head | SQH. square head |
| HOC. height-of-cut | SRH. slotted round head |
| HS. hex | STD. standard |
| HSBH. hex socket button head | TAP. self tapping |
| HSFH. hex socket flat head | TTH. torx truss head |
| HSH. hex socket head | WH. wing head |
| HWH. hex washer head | |
| HWHTF. hex washer head thread forming | |
| HYD. hydraulic | |

Footnotes

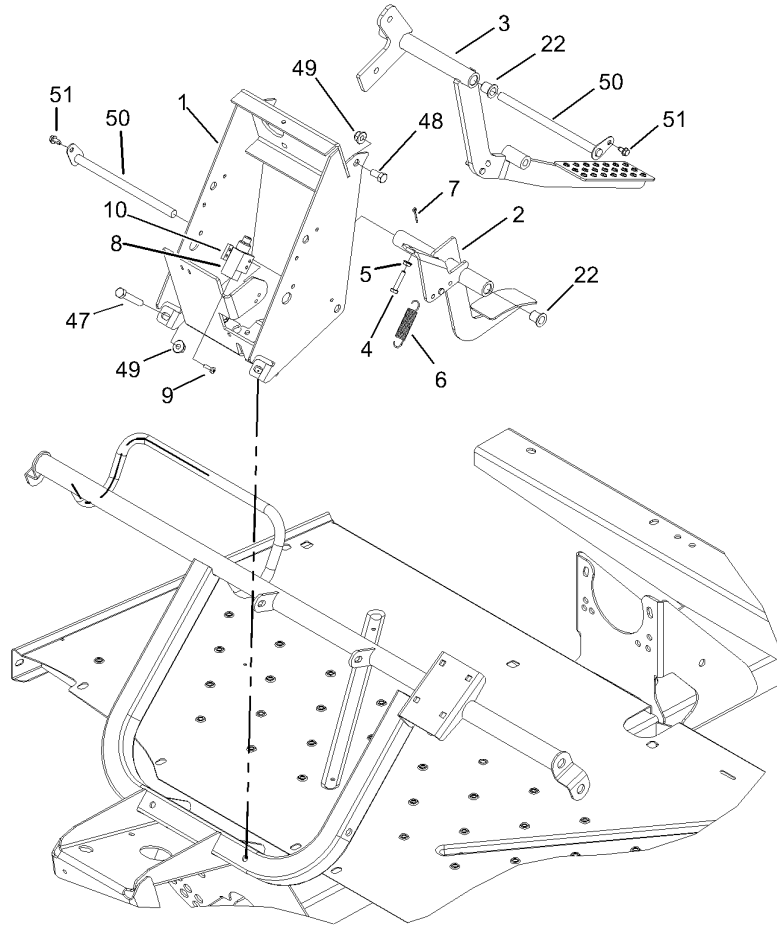
- | | |
|---|---|
| ❶ Not illustrated | ❷ Not serviced separately |
| ❸ Included in Engine Gasket Set-Ref. 358. | ❹ Included in Valve Gasket Set-Ref. 1095. |
| ❺ Included in Carburetor Overhaul Kit-Ref. 121. | ❻ Obtain parts from your local Briggs & Stratton dealer |



Hood and Fender Assembly

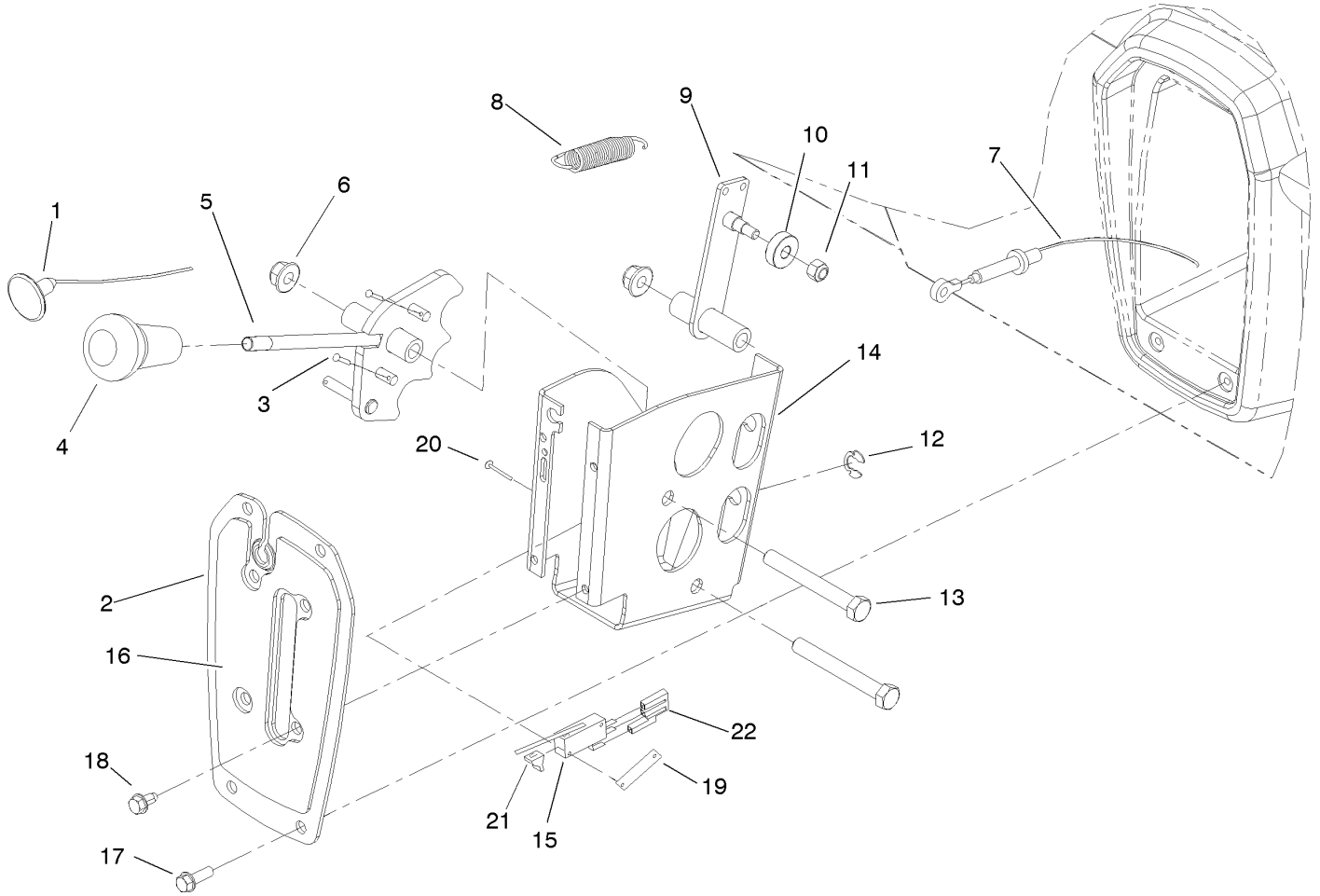
| Ref | Part No. | Qty. | Description |
|-----|----------|------|-----------------------|
| 2 | 99-7411 | 1 | Point-Power |
| 3 | 99-7416 | 1 | Cap |
| 4 | 104-6929 | 1 | Switch-Ignition |
| 4:1 | 104-7042 | 1 | Nut-Switch, Plastic |
| 4:2 | 104-7019 | 2 | Washer-Lock, Internal |
| 4:3 | 104-7021 | 1 | Spacer-Switch |
| 5 | 99-7418 | 2 | Key-Ignition |
| 6 | 99-7420 | 1 | Plug-Hole |
| 7 | 99-7410 | 1 | Light-Oil |
| 8 | 95-8999 | 1 | Switch |
| 9 | 94-4208 | 1 | Hourmeter |
| 10 | 18-2830 | 1 | Button-Horn |
| 11 | 3234-5 | 14 | Screw |
| 12 | 104-8300 | 15 | Nut-Flange, NI |
| 13 | 104-7076 | 1 | LH Fender ASM |
| 14 | 104-7077 | 1 | RH Fender ASM |
| 15 | 104-7206 | 4 | Screw HHF |
| 17 | 104-7267 | 1 | Decal |
| 18 | 99-7312 | 2 | Reflector |
| 19 | 3256-24 | 2 | Washer-Flat |
| 20 | 323-42 | 2 | Screw-HH |
| 21 | 99-7733 | 1 | Bumper-Plastic |
| 22 | 99-7310 | 2 | Headlight |
| 23 | 99-7311 | 2 | Mount-Headlight |

| Ref | Part No. | Qty. | Description |
|------|----------|------|-----------------------|
| 24 | 99-7339 | 1 | Decal |
| 25 | 32144-89 | 2 | Screw-Forming, Thread |
| 26 | 104-7003 | 1 | Hood |
| 27 | 74-0720 | 1 | Tube-Manual |
| 28 | 3234-11 | 2 | Screw-HHF |
| 29 | 2412-133 | 2 | R-Clamp |
| 30 | 107-0700 | 1 | Dash ASM |
| 30:2 | 107-0699 | 1 | Decal-Panel, Control |
| 30:3 | 104-6581 | 1 | Decal-Danger |
| 31 | 3256-3 | 8 | Washer-Flat |
| 32 | 3234-17 | 4 | Screw-HHF |
| 33 | 104-8301 | 4 | Nut-Flange, NI |
| 34 | 104-6930 | 1 | Plug-Rubber |
| 35 | 104-7075 | 1 | Cover-Channel |
| 36 | 116749 | 1 | Horn |
| 37 | 322-11 | 1 | Screw-HH |



Pedal Assembly

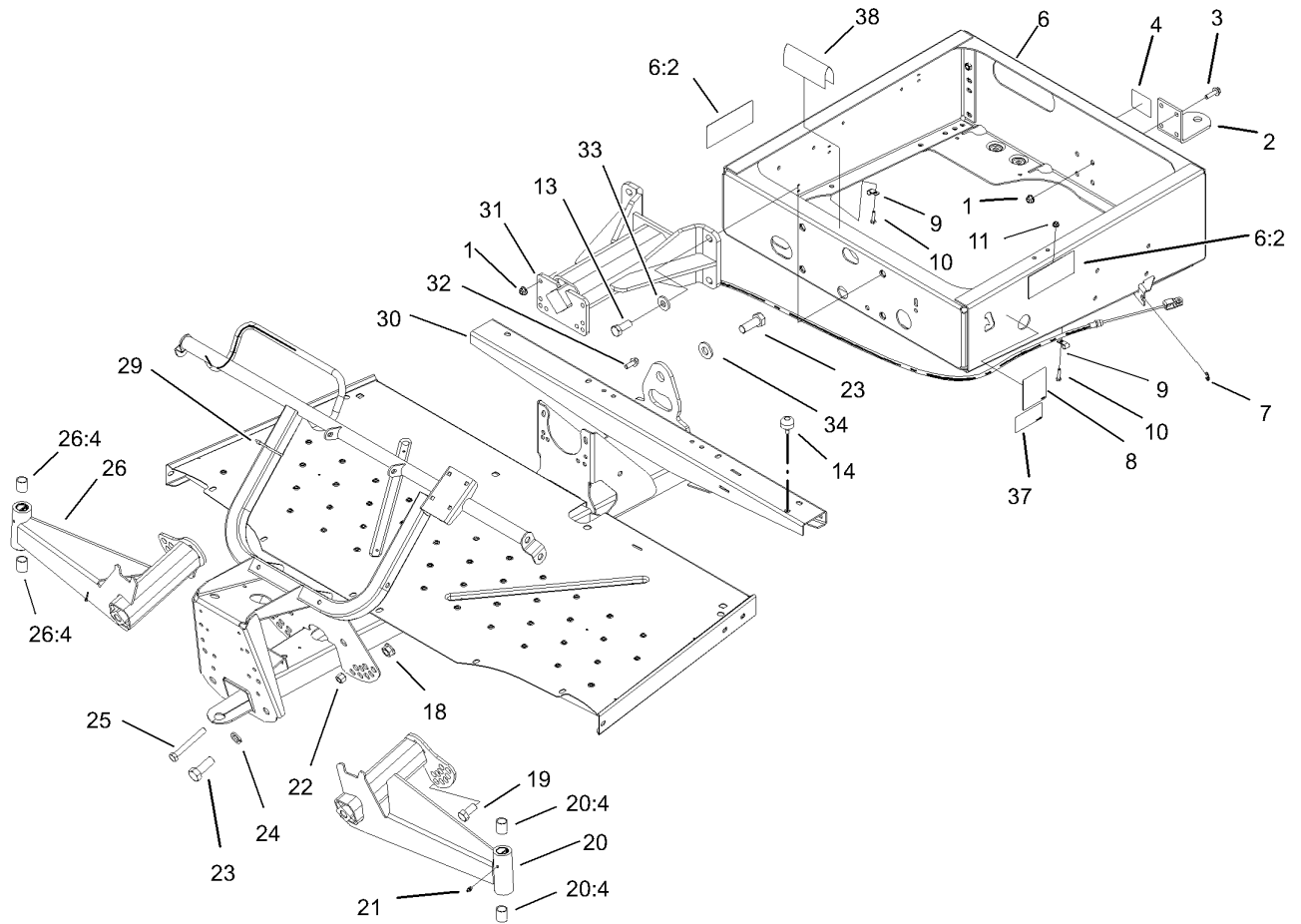
| Ref | Part No. | Qty. | Description | | | | |
|-----|-------------|------|----------------------|--|--|--|--|
| 1 | 104-7160-03 | 1 | Frame-Pedals | | | | |
| 2 | 104-7165-03 | 1 | Pedal-Throttle | | | | |
| 3 | 104-7170-03 | 1 | Pedal-Brake | | | | |
| 4 | 321-7 | 2 | Screw-HH | | | | |
| 5 | 32149-2 | 2 | Nut | | | | |
| 6 | 104-6415 | 1 | Spring-Return, Pedal | | | | |
| 7 | 3272-4 | 1 | Pin-Cotter | | | | |
| 8 | 99-7407 | 1 | Switch | | | | |
| 9 | 104-7221 | 2 | Screw-PPH | | | | |
| 10 | 1-633181 | 1 | Plate-Tapped | | | | |
| 22 | 256-155 | 4 | Bushing-Flange | | | | |
| 47 | 323-11 | 2 | Screw-HH | | | | |
| 48 | 323-4 | 2 | Screw-HH | | | | |
| 49 | 104-8301 | 4 | Nut-Flange, NI | | | | |
| 50 | 104-7164 | 2 | Pivot-Pedals | | | | |
| 51 | 12-3270 | 2 | Screw | | | | |



Shifter Assembly

| Ref | Part No. | Qty. | Description |
|-----|-------------|------|-----------------------|
| 1 | 99-7111 | 1 | Cable-Choke |
| 2 | 99-7887-03 | 1 | Plate-Shifter |
| 3 | 3272-5 | 2 | Pin-Cotter |
| 4 | 99-7981 | 1 | Knob-Grip, Soft |
| 5 | 99-7879 | 1 | Lever-Shifter |
| 6 | 104-8301 | 2 | Nut-Flange, NI |
| 7 | 104-6896 | 2 | Cable-Shift |
| 8 | 104-6415 | 1 | Spring-Return, Pedal |
| 9 | 99-7176 | 1 | Detent |
| 10 | 251-307 | 1 | Bearing-Ball |
| 11 | 3296-42 | 1 | Nut-Lock, NI |
| 12 | 32151-101 | 2 | E-Ring |
| 13 | 323-14 | 2 | Screw-HH |
| 14 | 104-6509-03 | 1 | Bracket-Shift |
| 15 | 88-9932 | 1 | Switch-Micro |
| 16 | 99-7952 | 1 | Decal-Shifter |
| 17 | 32105-15 | 4 | Screw |
| 18 | 12-3270 | 4 | Screw |
| 19 | 3290-354 | 1 | Nut-Speed |
| 20 | 3290-313 | 2 | Screw-Ph |
| 21 | 93-3240 | 1 | Plunger-Seal |
| 22 | 107-0725 | 1 | Harness-Jumper, Shift |

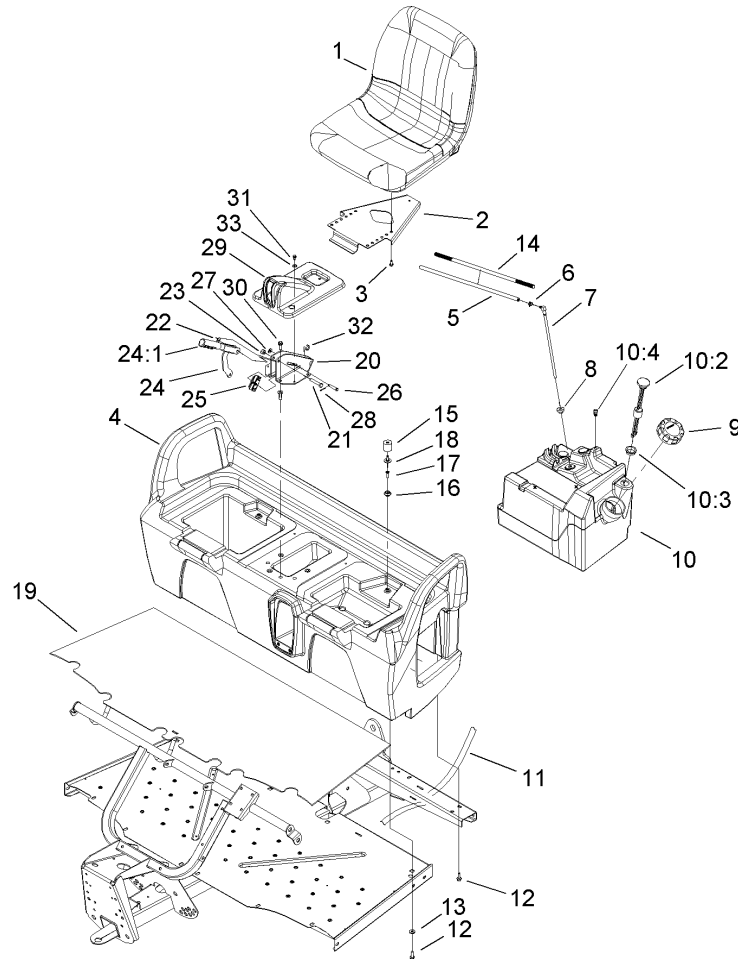
| | | | |
|--|--|--|--|
| | | | |
| | | | |
| | | | |
| | | | |



Frame Assembly

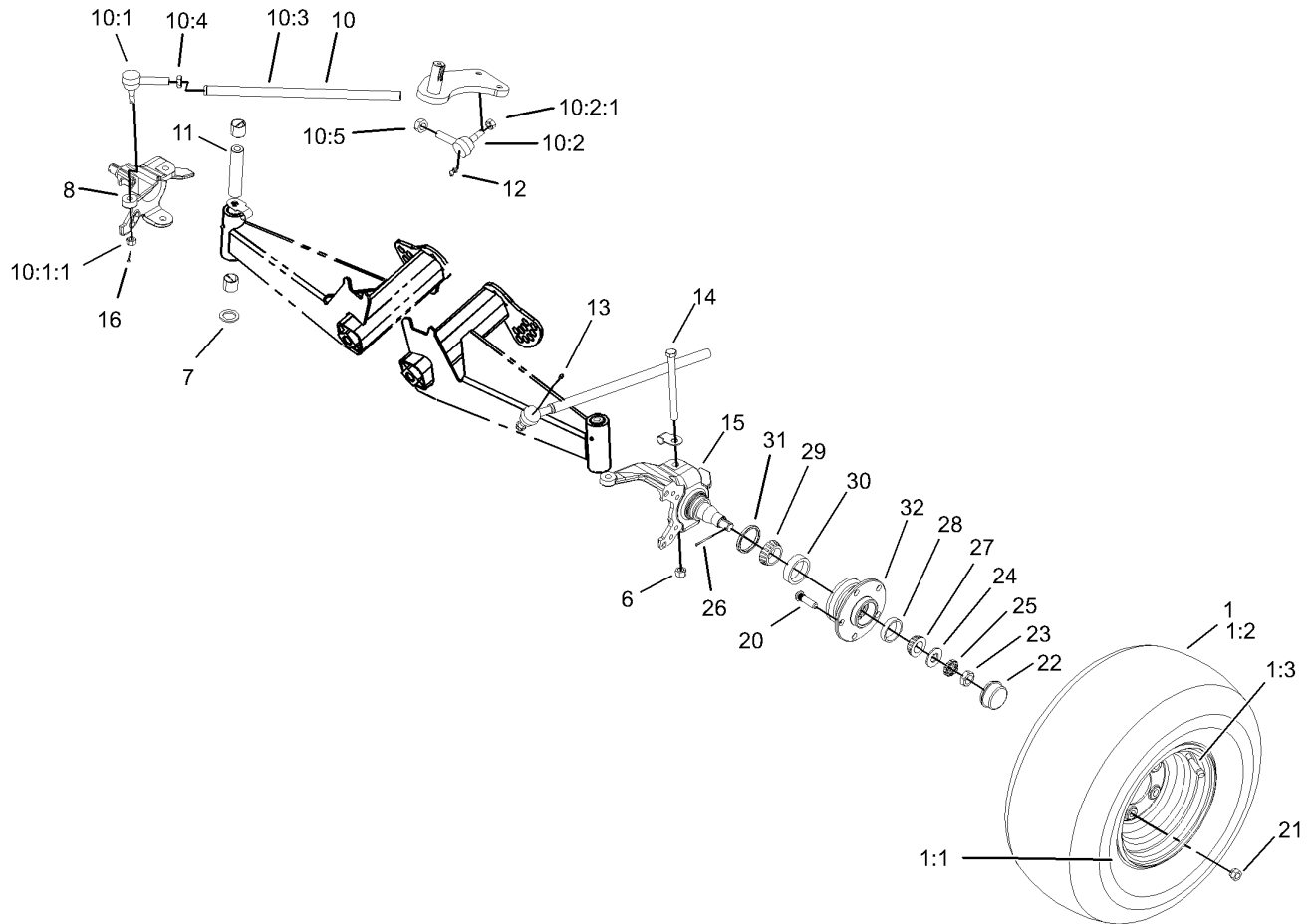
| Ref | Part No. | Qty. | Description |
|------|------------|------|-----------------------------|
| 1 | 104-8301 | 8 | Nut-Flange, NI |
| 2 | 99-7654-03 | 1 | Hitch-Duty, Light |
| 3 | 3234-24 | 4 | Screw-HHF |
| 4 | 99-7350 | 1 | Decal-Information |
| 6 | 99-7362 | 1 | Rear Frame ASM |
| 6:2 | 99-7345 | 2 | Decal-Warning |
| 7 | 32120-47 | 2 | Ring-Retaining, External |
| 8 | 99-7349 | 1 | Decal-Information, Boxlatch |
| 9 | 2412-89 | 2 | Clamp |
| 10 | 321-6 | 2 | Screw-HH |
| 11 | 32128-33 | 2 | Nut-HF |
| 13 | 327-4 | 4 | Screw-HH |
| 14 | 87-2440 | 1 | Bumper-Rubber |
| 18 | 32128-54 | 2 | Nut-Flange |
| 19 | 3214-2 | 2 | Screw-HH |
| 20 | 99-7685 | 1 | LH A-Arm ASM |
| 20:4 | 3-0348 | 2 | Bushing |
| 21 | 302-5 | 2 | Fitting-Grease |
| 22 | 3296-23 | 2 | Nut-Lock, NI |
| 23 | 328-24 | 5 | Screw-HH |
| 24 | 3254-7 | 4 | Washer-Lock, Int |
| 25 | 325-17 | 2 | Screw-HH |
| 26 | 99-7684 | 1 | RH A-Arm ASM |
| 26:4 | 3-0348 | 2 | Bushing |

| Ref | Part No. | Qty. | Description |
|-----|-------------|------|-----------------|
| 29 | 3290-379 | 12 | Tie-Cable |
| 30 | 104-7197-03 | 1 | Front Frame ASM |
| 31 | 99-7700 | 1 | Pivot Yoke ASM |
| 32 | 3234-11 | 4 | Screw-HHF |
| 33 | 99-7667 | 4 | Washer-Flat |
| 34 | 87-3060 | 1 | Washer-Hardened |
| 37 | 104-6591 | 1 | Decal-Capacity |
| 38 | 95-5686 | 1 | Trim |



Seat Base Assembly

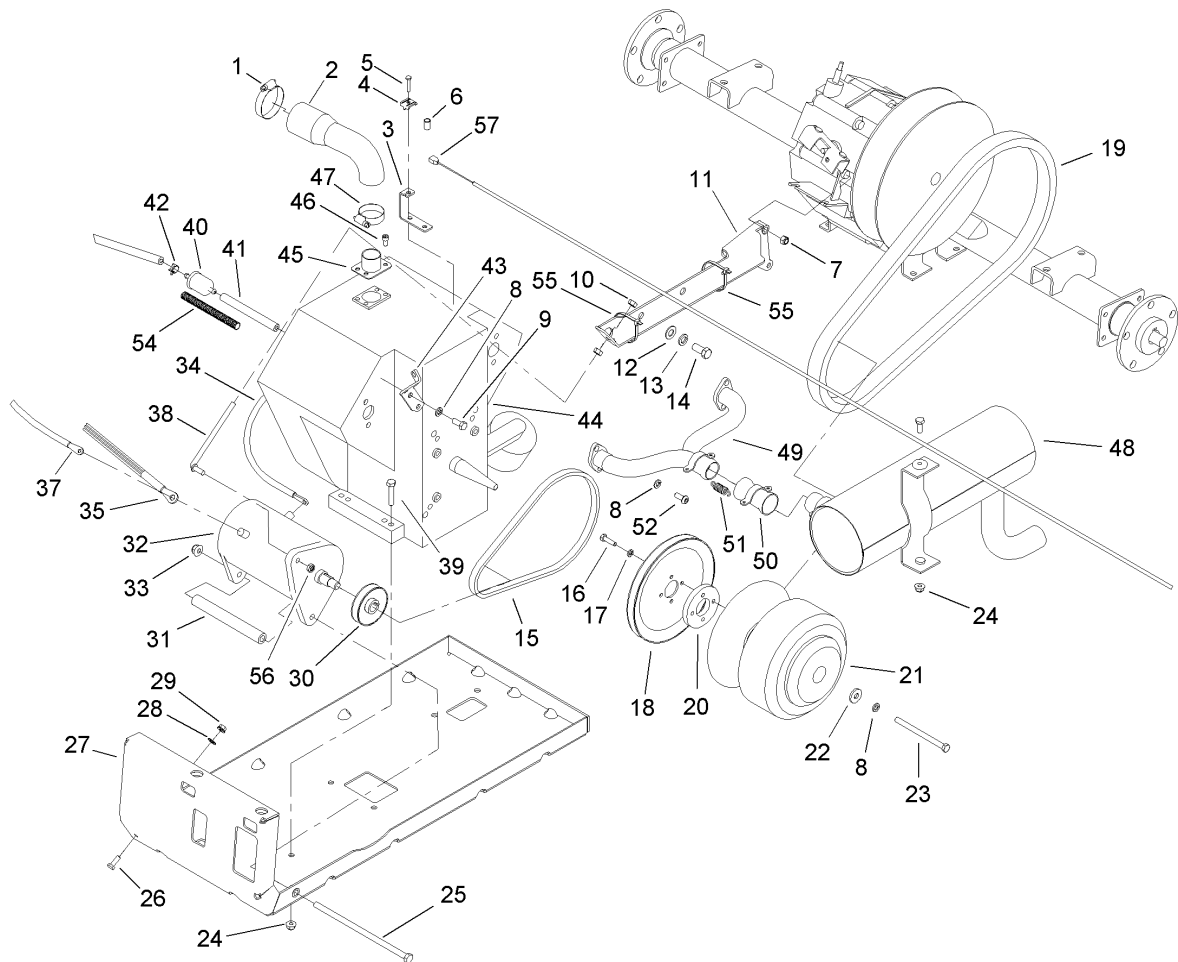
| Ref | Part No. | Qty. | Description | Ref | Part No. | Qty. | Description |
|------|-------------|------|-----------------------|------|----------|------|--------------------------|
| 1 | 106-6672 | 2 | Seat | 22 | 3290-477 | 1 | Washer-Curved |
| 2 | 99-7829 | 2 | Bracket-Seat | 23 | 3296-39 | 1 | Nut-Lock, NI |
| 3 | 33114-016 | 8 | Screw-HH | 24 | 104-6842 | 1 | Lever-Brake, Park |
| 4 | 104-6847 | 1 | Seat Base ASM | 24:1 | 106-7972 | 1 | Grip-Handle |
| 5 | 99-7187 | 1 | Hose-Fuel | 25 | 87-3480 | 1 | Bracket-Equalizer, Cable |
| 6 | 2412-98 | 1 | Clamp | 26 | 94-3829 | 1 | Pin-Clevis |
| 7 | 99-7264 | 1 | Pipe-Stand | 27 | 3256-23 | 1 | Washer-Flat |
| 8 | 46-6560 | 1 | Bushing | 28 | 3272-6 | 1 | Pin-Cotter |
| 9 | 95-4192 | 1 | Unleaded Gas Cap ASM | 29 | 104-7014 | 1 | Cover-Brake, Parking |
| 10 | 99-7323 | 1 | Fuel Tank ASM | 30 | 3234-17 | 4 | Screw-HHF |
| 10:2 | 99-7262 | 1 | Gauge-Fuel | 31 | 12-3270 | 2 | Screw |
| 10:3 | 95-8972 | 1 | Grommet | 32 | 32120-47 | 2 | Ring-Retaining, External |
| 10:4 | 99-7267 | 1 | Vent-Air | 33 | 3256-1 | 2 | Washer-Flat |
| 11 | 3339-175 | 1 | Strapping-Web, 48in | | | | |
| 12 | 3234-17 | 8 | Screw-HHF | | | | |
| 13 | 88-7200 | 8 | Washer-Flat | | | | |
| 14 | 99-7129 | 1 | Conduit-Line, Fuel | | | | |
| 15 | 99-7830 | 2 | Rubber Receptical ASM | | | | |
| 16 | 99-7833 | 2 | Post-Holding | | | | |
| 17 | 32108-5 | 2 | Screw-FH | | | | |
| 18 | 3290-412 | 2 | Rivet | | | | |
| 19 | 104-6590 | 1 | Mat-Floor | | | | |
| 20 | 104-6844-03 | 1 | Support-Brake, Park | | | | |
| 21 | 323-10 | 1 | Screw-HH | | | | |



Front Tire and Steering Assembly

| Ref | Part No. | Qty. | Description |
|--------|-------------|------|---------------------------|
| 1 | 104-7290 | 2 | Tire/wheel ASM |
| 1:1 | 104-7288 | 1 | Wheel |
| 1:2 | 104-7289 | 1 | Tire |
| 1:3 | 232-27 | 1 | Stem-Valve |
| 6 | 3296-23 | 2 | Nut-Lock, NI |
| 7 | 256-115 | 2 | Washer-Thrust |
| 8 | 104-6877-03 | 1 | Spindle-Machined, RH Disc |
| 10 | | 2 | Tie Rod ASM |
| 10:1 | 112772 | 1 | Joint-Ball, RH |
| 10:1:1 | 915031 | 1 | Nut |
| 10:2 | 112771 | 1 | Joint-Ball, LH |
| 10:2:1 | 915031 | 1 | Nut |
| 10:3 | 99-7600-03 | 1 | Rod-Tie |
| 10:4 | 3220-11 | 1 | Nut-Jam |
| 10:5 | 3218-21 | 1 | Nut-Jam |
| 11 | 99-7499 | 2 | Sleeve-Kingpin |
| 12 | 302-60 | 2 | Fitting-Grease |
| 13 | 302-5 | 2 | Fitting-Grease |
| 14 | 325-20 | 2 | Screw-HH |
| 15 | 104-6876-03 | 1 | Spindle-Disc, LH |
| 16 | 3272-7 | 4 | Pin-Cotter |
| 20 | 10-6830 | 10 | Stud-Type, Drive |
| 21 | 242-50 | 10 | Nut-Lug |
| 22 | 241-119 | 2 | Cap-Dust |

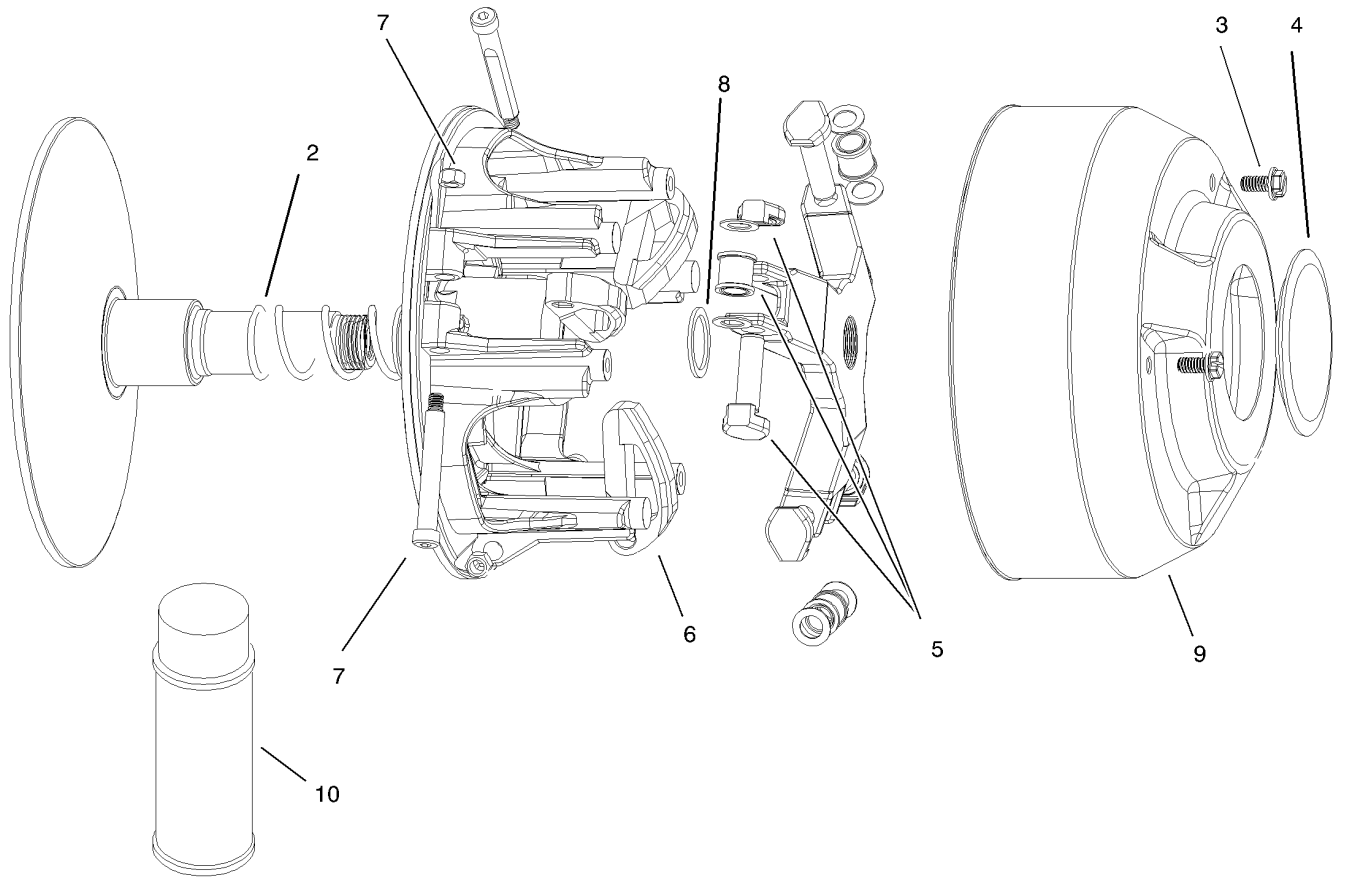
| Ref | Part No. | Qty. | Description |
|-----|-------------|------|-----------------------|
| 23 | 3220-7 | 2 | Nut-Jam |
| 24 | 93-0309 | 2 | Washer-Tab |
| 25 | 93-0307 | 2 | Nut-Lock, Retainer |
| 26 | 3272-12 | 2 | Pin-Cotter |
| 27 | 254-94 | 2 | Bearing-Cone, Tapered |
| 28 | 254-72 | 2 | Bearing-Cup, Tapered |
| 29 | 254-106 | 2 | Cone-Bearing, Tapered |
| 30 | 254-107 | 2 | Cup-Bearing, Tapered |
| 31 | 87-3590 | 2 | Seal-Bearing |
| 32 | 104-6809-03 | 2 | Hub (Machined) |



Engine and Clutch Assembly

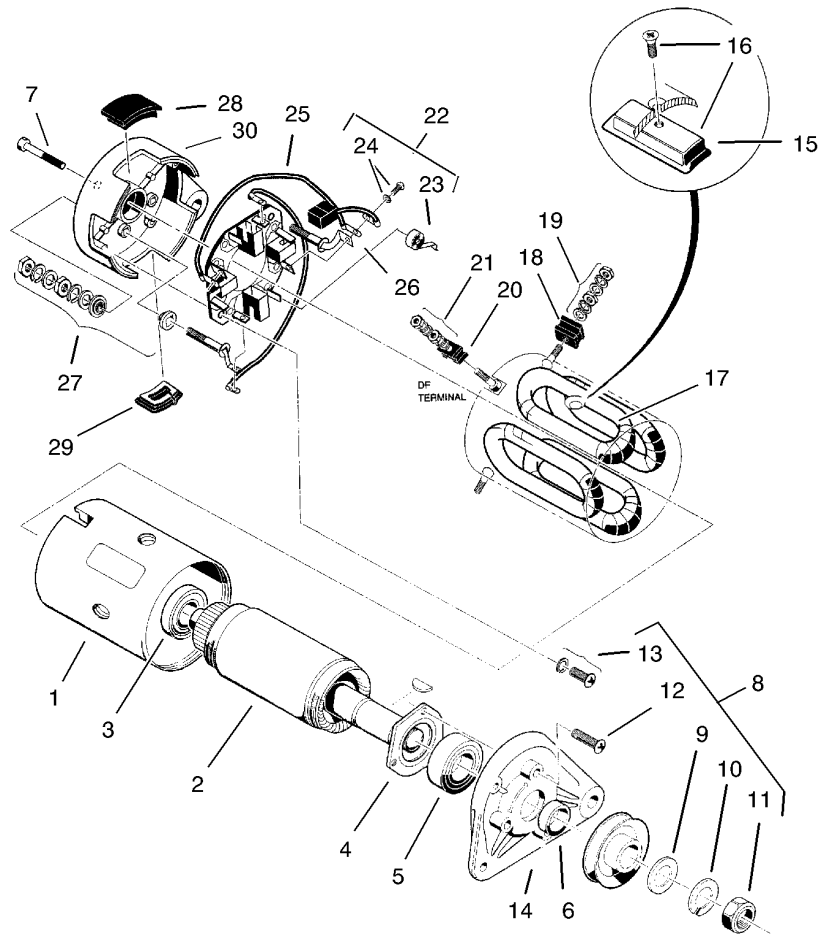
| Ref | Part No. | Qty. | Description |
|-----|-------------|------|-----------------|
| 1 | 2412-130 | 1 | Clamp-Hose |
| 2 | 99-7106 | 1 | Hose-Intake |
| 3 | 107-0319 | 1 | Bracket-Cable |
| 4 | 81-1690 | 1 | Clamp-Cable |
| 5 | 3290-432 | 1 | Screw-HH |
| 6 | 32148-14 | 1 | Insert-Threaded |
| 7 | 33024-00 | 2 | Nut-Lock |
| 8 | 3253-4 | 6 | Washer-Lock |
| 9 | 66-3160 | 2 | Screw-Cap |
| 10 | 3217-6 | 2 | Nut-Hex |
| 11 | 104-6631-03 | 1 | Torque Arm ASM |
| 12 | 3256-25 | 2 | Washer-Flat |
| 13 | 3253-6 | 2 | Washer-Lock |
| 14 | 324-4 | 2 | Screw-HH |
| 15 | 99-7133 | 1 | V-Belt-Starter |
| 16 | 321-6 | 4 | Screw-HH |
| 17 | 3253-3 | 4 | Washer-Lock |
| 18 | 99-7131 | 1 | Pulley-Engine |
| 19 | 99-7144 | 1 | Belt-Drive |
| 20 | 99-7064 | 1 | Spacer-Starter |
| 21 | 99-7145 | 1 | Clutch-Drive |
| 22 | 5-0838 | 1 | Washer |
| 23 | 99-7201 | 1 | Screw-HH |
| 24 | 104-8300 | 5 | Nut-Flange, NI |

| Ref | Part No. | Qty. | Description |
|-----|-------------|------|-------------------------|
| 25 | 99-7203 | 1 | Screw |
| 26 | 321-4 | 1 | Screw-HH |
| 27 | 104-6433-03 | 1 | Mount-Engine |
| 28 | 3255-8 | 1 | Washer-Lock |
| 29 | 32128-32 | 1 | Nut-HHF |
| 30 | 99-7130 | 1 | Pulley-Starter |
| 31 | 99-7053 | 1 | Pivot-Starter |
| 32 | 99-7108 | 1 | Generator-Starter |
| 33 | 104-8301 | 2 | Nut-Flange, NI |
| 34 | 99-7403 | 1 | Cable-Negative |
| 35 | 99-7437 | 1 | Harness-Wire, Engine |
| 37 | 104-6926 | 1 | Cable-Positive |
| 38 | 104-6629 | 1 | Rod-Starter |
| 39 | 322-8 | 4 | Screw-HH |
| 40 | 94-2690 | 1 | Filter-Fuel |
| 41 | 47-2966 | 1 | Hose-Fuel |
| 42 | 2412-98 | 3 | Clamp |
| 43 | 104-7152 | 1 | Bracket-Cable, Throttle |
| 44 | 107-0353 | 1 | Engine-Briggs, 16hp |
| 45 | 99-7083 | 1 | Bracket-Intake |
| 46 | 99-7202 | 4 | Screw |
| 47 | 2412-3 | 1 | Clamp-Hose |
| 48 | 104-6475 | 1 | Muffler-Engine |
| 49 | 104-6476 | 1 | Manifold-Engine |



Drive Clutch Assembly No. 99-7145

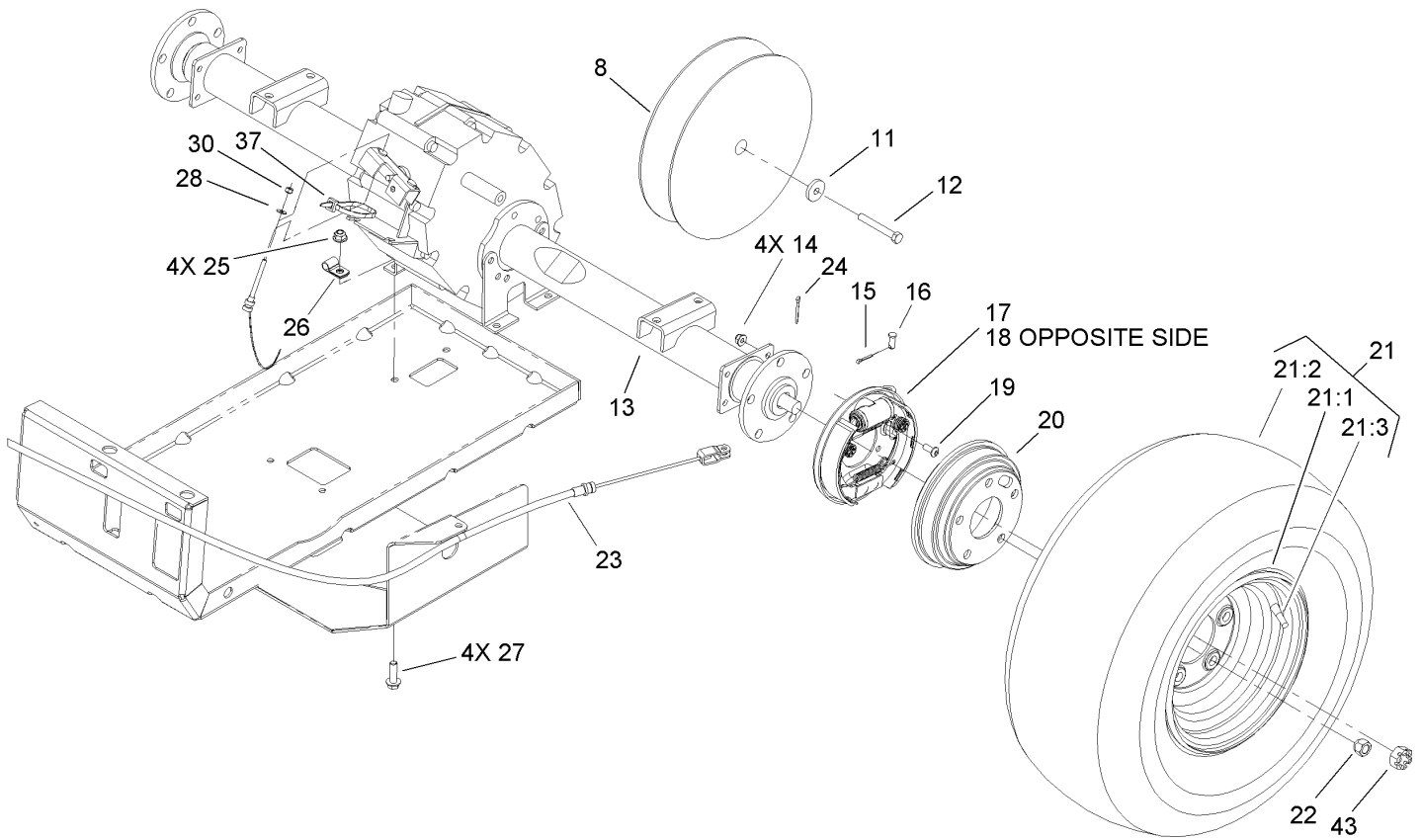
| Ref | Part No. | Qty. | Description | |
|-----|----------|------|------------------------|--|
| 2 | 104-1686 | 1 | Spring | |
| 3 | 3234-26 | 3 | Screw | |
| 4 | 104-1690 | 1 | Cap | |
| 5 | 104-1697 | 1 | Spider Roller Kit | |
| 6 | 104-1696 | 1 | Arm-Cam | |
| 7 | 104-4256 | 1 | Pivot Bolt And Nut Kit | |
| 8 | 104-1687 | 1 | Spacer | |
| 9 | 104-1691 | 1 | Cover | |
| 10 | 104-7011 | 1 | Lubricant-Dry | |



Starter Generator Assembly No. 99-7108

| Ref | Part No. | Qty. | Description |
|-----|----------|------|-----------------------|
| ① | | 1 | Yoke |
| 2 | 104-1210 | 1 | Armature Kit |
| 3 | 104-1211 | 1 | Bearing-Ball, Rear |
| 4 | 104-1212 | 1 | Retainer |
| 5 | 104-1213 | 1 | Bearing-Ball, Front |
| 6 | 104-1214 | 1 | Spacer |
| 7 | 104-1215 | 2 | Bolt |
| ⑧ | | 1 | Nut & Screw Set |
| 9 | 104-1216 | 1 | Washer-Plain |
| 10 | 104-1217 | 1 | Washer-Spring |
| 11 | 104-1218 | 1 | Nut-Hex |
| ⑫ | | 3 | Screw-Flange |
| 13 | 104-1219 | 2 | Set-Screw |
| 14 | 104-1220 | 1 | Bracket-Front |
| ⑮ | | 4 | Pole |
| 16 | 104-1221 | 1 | Set-Pole & Screw |
| 17 | 104-1222 | 1 | Field Stator Coil ASM |
| ⑮ | | 2 | F Mold |
| 19 | 104-1223 | 2 | Set-Screw |
| ⑳ | | 1 | Df Mold |
| 21 | 104-1224 | 1 | Set-Screw |
| 22 | 104-1225 | 1 | Brush Holder Kit |
| 23 | 104-1226 | 4 | Spring-Brush |
| 24 | 104-1227 | 1 | Brush & Screw Set |

| Ref | Part No. | Qty. | Description |
|-----|----------|------|---------------------|
| ⑳ | | 2 | Brush Connector ASM |
| ㉑ | | 2 | A Terminal ASM |
| 27 | 104-1228 | 2 | Screw & Mold ASM |
| ㉓ | | 1 | Cover Set |
| ㉔ | | 1 | Cover B |
| ㉕ | | 1 | Bracket-Rear |

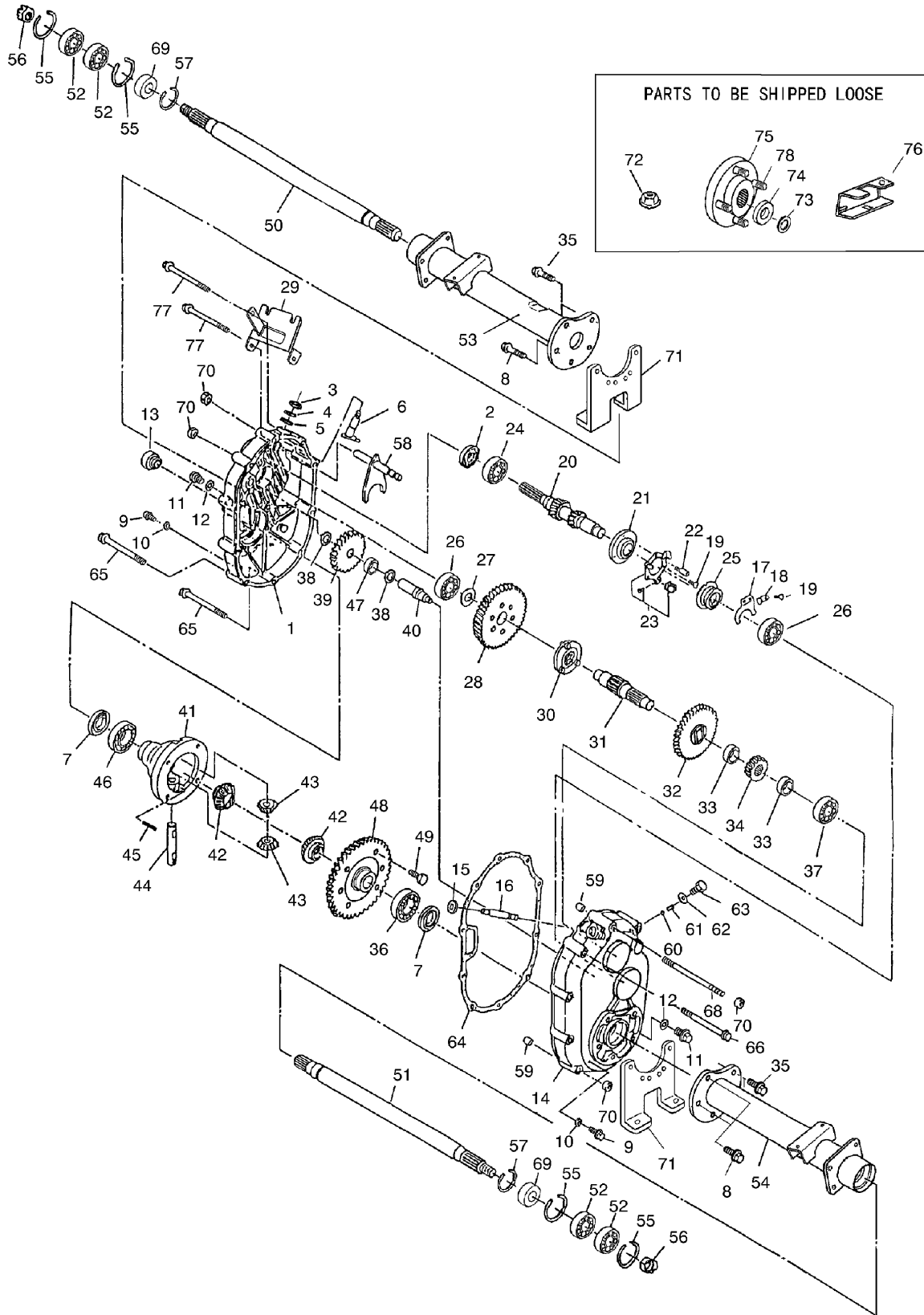


Rear Tire and Transaxle Assembly

| Ref | Part No. | Qty. | Description |
|------|----------|------|-------------------|
| 8 | 99-7104 | 1 | Clutch-Driven |
| 11 | 104-6563 | 1 | Washer-Stepped |
| 12 | 104-6564 | 1 | Screw-HH |
| 13 | 107-0360 | 1 | Transaxle |
| 14 | 104-8300 | 8 | Nut-Flange, NI |
| 15 | 3272-10 | 2 | Pin-Cotter |
| 16 | 283-62 | 2 | Pin-Clevis |
| 17 | 104-6807 | 1 | LH Brake ASM |
| 18 | 104-6806 | 1 | RH Brake ASM |
| 19 | 3274-55 | 8 | Screw-HSBH |
| 20 | 104-6500 | 2 | Drum-Brake |
| 21 | 104-7282 | 2 | Tire/wheel ASM |
| 21:1 | 104-7279 | 1 | Wheel |
| 21:2 | 104-7281 | 1 | Tire |
| 21:3 | 232-27 | 1 | Stem-Valve |
| 22 | 242-50 | 10 | Nut-Lug |
| 23 | 104-6846 | 2 | Cable-Brake, Park |
| 24 | 3272-42 | 2 | Pin-Cotter |
| 25 | 104-8301 | 4 | Nut-Flange, NI |
| 26 | 2412-10 | 1 | R-Clamp |
| 27 | 3234-24 | 4 | Screw-HHF |
| 28 | 3256-49 | 2 | Washer-Flat |
| 30 | 3296-2 | 2 | Nut-Lock |
| 37 | 3290-378 | 1 | Tie-Cable |

| Ref | Part No. | Qty. | Description |
|-----|----------|------|-------------|
| 43 | 104-1656 | 2 | Nut-Castle |

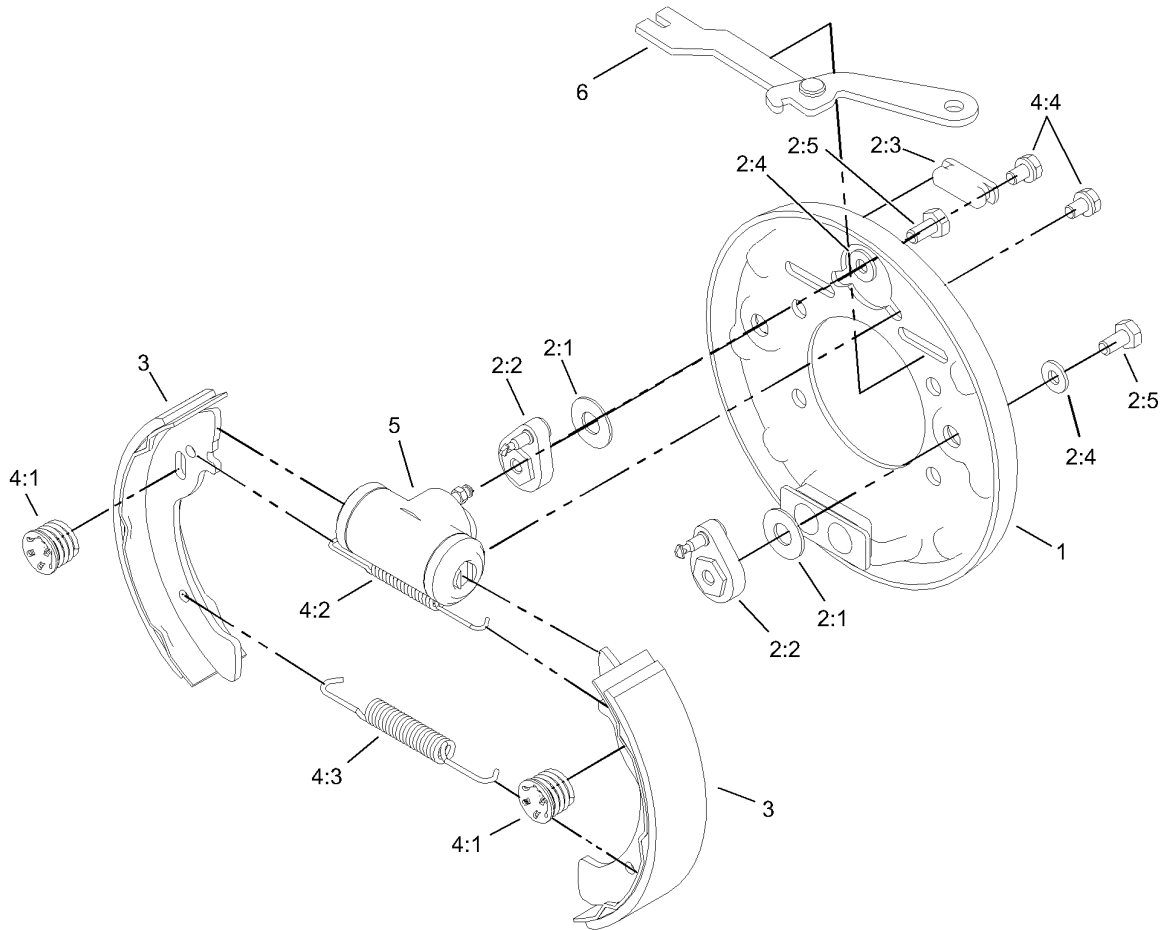
Transaxle Assembly No. 107-0360



Transaxle Assembly No. 107-0360

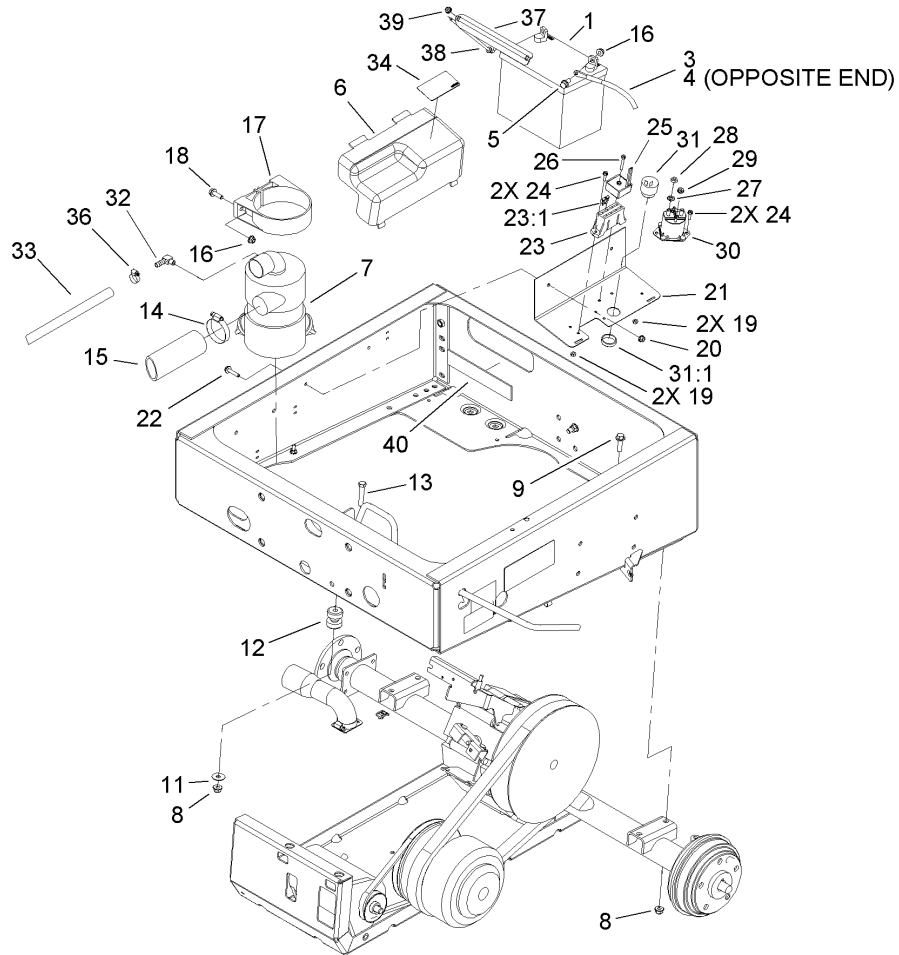
| Ref | Part No. | Qty. | Description |
|-----|----------|------|-------------------------|
| 1 | 104-1601 | 1 | Case-Lh, Complete |
| 2 | 104-1602 | 1 | Seal-Oil |
| 3 | 104-1603 | 1 | Seal-Oil |
| 4 | 104-1604 | 1 | Ring-Snap |
| 5 | 104-1605 | 1 | Spacer |
| 6 | 104-1606 | 1 | Shaft-Selector |
| 7 | 104-1607 | 2 | Seal-Oil |
| 8 | 104-1608 | 4 | Bolt-Flange |
| 9 | 104-1609 | 2 | Plug-Check, Oil |
| 10 | 104-1610 | 2 | Gasket |
| 11 | 104-1611 | 2 | Plug-Drain, Oil |
| 12 | 104-1612 | 2 | Gasket |
| 13 | 104-1613 | 1 | Plug-Filler, Oil |
| 14 | 104-1614 | 1 | Case-Complete, RH |
| 15 | 104-1615 | 1 | Seal-Oil |
| 16 | 104-1616 | 1 | Shaft-Governor |
| 17 | 104-1617 | 1 | Fork-Governor |
| 18 | 104-1618 | 1 | Stopper |
| 19 | 104-1619 | 4 | Screw And Washer ASM |
| 20 | 104-7002 | 1 | Shaft-Input, Complete |
| 21 | 104-1621 | 1 | Base-Governor |
| 22 | 104-1622 | 1 | Pin-Lock |
| 23 | 104-1623 | 1 | Unit-Plate, Governor |
| 24 | 104-1624 | 1 | Bearing-Ball |
| 25 | 104-1625 | 1 | Sleeve-Governor |
| 26 | 104-1626 | 2 | Bearing-Ball |
| 27 | 104-1627 | 1 | Spacer |
| 28 | 104-1628 | 1 | Gear |
| 29 | 104-1629 | 1 | Bracket-Wire, Change |
| 30 | 104-1630 | 1 | Clutch-Pin |
| 31 | 104-1631 | 1 | Shaft-Center |
| 32 | 104-1632 | 1 | Gear-47 |
| 33 | 104-1633 | 2 | Collar |
| 34 | 104-1634 | 1 | Gear |
| 35 | 104-1635 | 6 | Bolt-Flange |
| 36 | 104-1636 | 1 | Bearing-Ball |
| 37 | 104-1637 | 1 | Bearing-Ball |
| 38 | 104-1638 | 2 | Spacer |
| 39 | 104-1639 | 1 | Gear-34 |
| 40 | 104-1640 | 1 | Shaft-Counter |
| 41 | 104-1641 | 1 | Case-Differential |
| 42 | 104-1642 | 2 | Gear-Side, Differential |
| 43 | 104-1643 | 2 | Pinion-Differential |
| 44 | 104-1644 | 1 | Shaft-Differential |
| 45 | 104-1645 | 1 | Pin |
| 46 | 104-1646 | 1 | Bearing-Ball |
| 47 | 104-1647 | 1 | Bearing-Needle |
| 48 | 104-1648 | 1 | Gear-62 |
| 49 | 104-1649 | 6 | Bolt |
| 50 | 104-1650 | 1 | Shaft-Axle, LH |
| 51 | 104-1651 | 1 | Shaft-Axle, RH |
| 52 | 104-1652 | 4 | Bearing-Ball |

| Ref | Part No. | Qty. | Description |
|-----|----------|------|-----------------------|
| 53 | 104-1653 | 1 | Case-Axle, LH |
| 54 | 104-1654 | 1 | Case-Axle, RH |
| 55 | 104-1655 | 4 | Ring-Snap |
| 56 | 104-1656 | 2 | Nut-Castle |
| 60 | 104-1660 | 1 | Ball-Steel |
| 57 | 104-1657 | 2 | Ring-Snap |
| 58 | 104-6870 | 1 | Shaft-Shift, Complete |
| 59 | 104-1659 | 2 | Knock-Pipe |
| 60 | 104-1660 | 1 | Ball-Steel |
| 61 | 104-1661 | 1 | Spring |
| 62 | 104-1662 | 1 | Gasket |
| 63 | 104-1663 | 1 | Bolt |
| 64 | 104-1664 | 1 | Gasket |
| 65 | 104-1665 | 6 | Bolt-Flange |
| 66 | 104-1666 | 1 | Bolt-Flange |
| 68 | 104-6866 | 1 | Bolt |
| 69 | 104-6867 | 2 | Collar |
| 70 | 33004-00 | 11 | Nut-HF |
| 71 | 104-1671 | 2 | Bracket-Axle |
| 72 | 104-1672 | 1 | Nut-Lock |
| 73 | 104-1673 | 2 | Washer-Spring |
| 74 | 104-1674 | 2 | Washer |
| 75 | 104-1675 | 2 | Hub |
| 76 | 104-6860 | 1 | Lever-Select |
| 77 | 104-6869 | 2 | Bolt-Flange |
| 78 | 104-8649 | 10 | Stud |



Left Hand Brake Assembly No. 104-6807

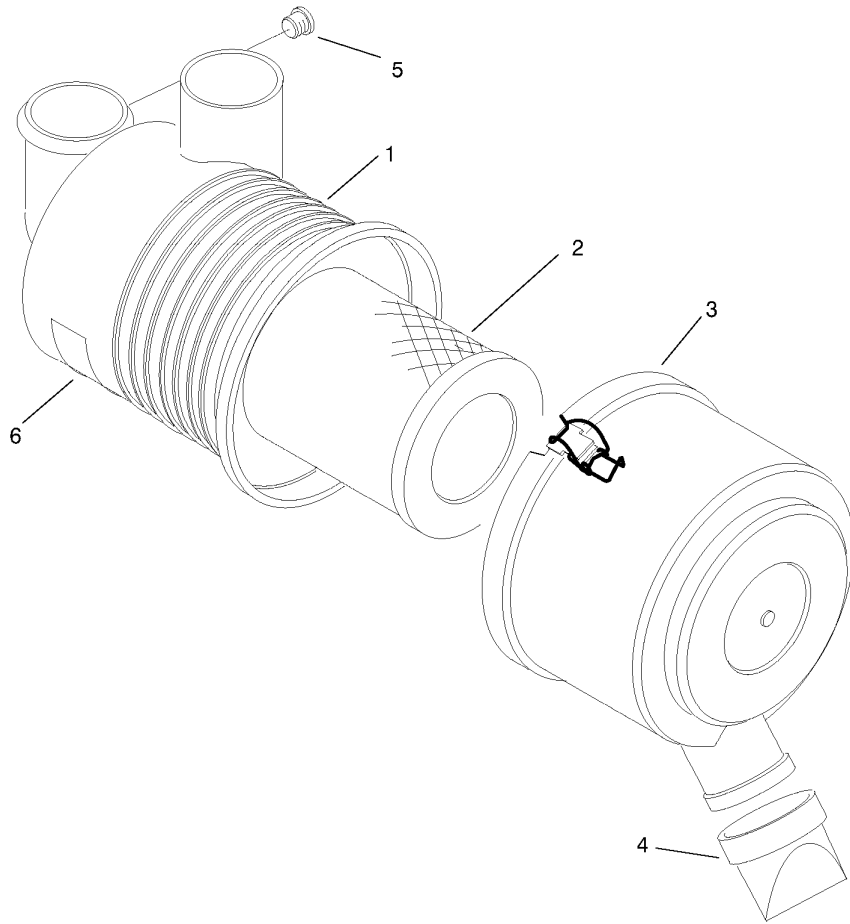
| Ref | Part No. | Qty. | Description |
|-----|----------|------|---------------------------|
| 1 | 100-8586 | 1 | Backing Plate ASM |
| 2 | 104-6820 | 1 | Adjuster Kit |
| 2:1 | 100-8585 | 2 | Washer-Bellville |
| 2:2 | 100-8588 | 2 | Adjuster Lever ASM |
| 2:3 | 100-8584 | 2 | Cover-Dust |
| 2:4 | | 2 | Washer |
| 2:5 | | 2 | Bolt |
| 3 | 104-6818 | 4 | Shoe & Lining Kit |
| 4 | 104-6819 | 1 | Hardware Kit |
| 4:1 | 100-8583 | 2 | Shoe Hold Down Spring ASM |
| 4:2 | 100-8581 | 2 | Spring-Upper |
| 4:3 | 100-8582 | 2 | Spring-Lower |
| 4:4 | | 2 | Bolt & Washer |
| 5 | 104-6824 | 1 | Wheel Cylinder ASM |
| 6 | 104-6825 | 1 | LH Park Brake Lever ASM |



Drivetrain Mount Assembly

| Ref | Part No. | Qty. | Description |
|------|------------|------|--------------------|
| 1 | 104-8162 | 1 | Battery (Dry) |
| 3 | 99-7415 | 1 | Cable-Negative |
| 4 | 99-7404 | 1 | Cable-Positive |
| 5 | 3234-5 | 2 | Screw |
| 6 | 99-7325 | 1 | Cover-Electrical |
| 7 | 99-7120 | 1 | Filter-Air |
| 8 | 104-8301 | 6 | Nut-Flange, NI |
| 9 | 3234-24 | 4 | Screw-HHF |
| 11 | 3256-35 | 2 | Washer-Flat |
| 12 | 95-2596 | 2 | Mount-Iso |
| 13 | 323-10 | 2 | Screw-HH |
| 14 | 2412-130 | 1 | Clamp-Hose |
| 15 | 104-6528 | 1 | Hose-Intake |
| 16 | 104-8300 | 4 | Nut-Flange, NI |
| 17 | 95-5806 | 1 | Bracket-Mounting |
| 18 | 3234-17 | 2 | Screw-HHF |
| 19 | 3296-2 | 5 | Nut-Lock |
| 20 | 32128-32 | 2 | Nut-HHF |
| 21 | 99-7051-03 | 1 | Mount-Component |
| 22 | 3234-21 | 2 | Screw-Cap |
| 23 | 107-0669 | 1 | Harness-Wire, Main |
| 23:1 | 218-578 | 3 | Fuse-10 Amp |
| 23:2 | 100-4918 | 1 | Diode |
| 24 | 32105-13 | 4 | Screw-SHH |

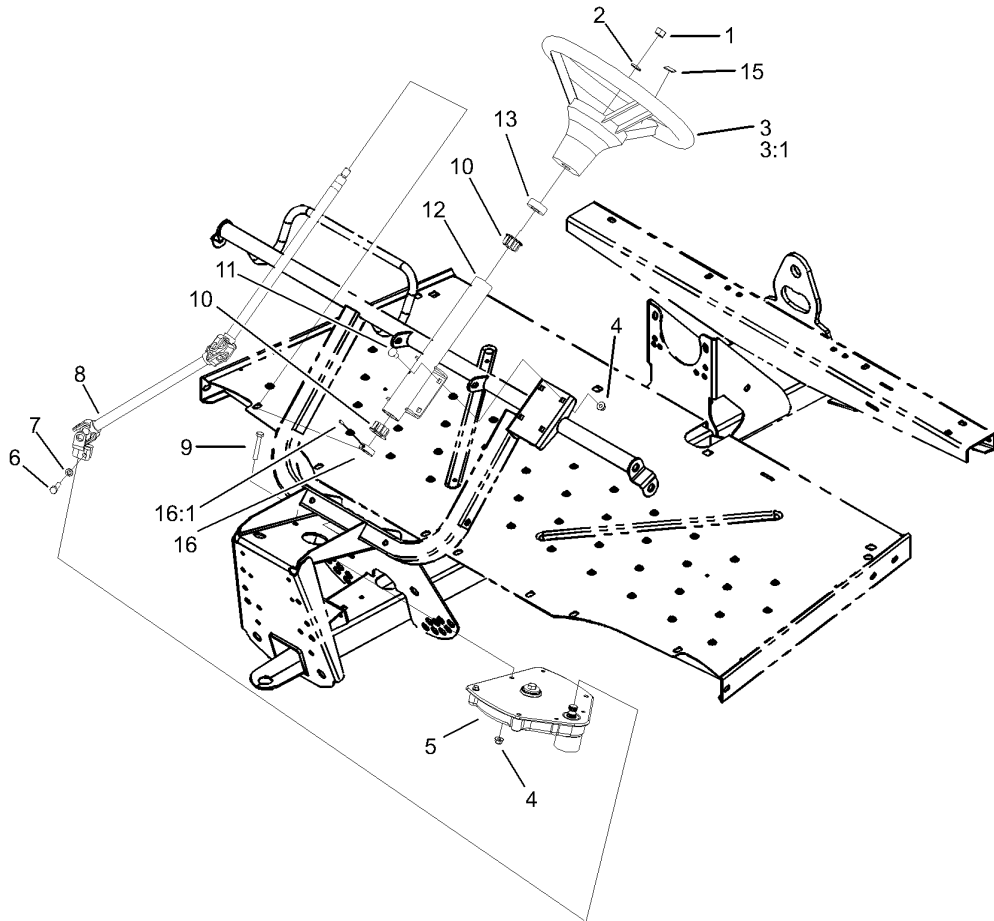
| Ref | Part No. | Qty. | Description |
|------|------------|------|----------------------|
| 25 | 104-6927 | 1 | Regulator |
| 26 | 32105-1 | 1 | Screw-SHH |
| 27 | 3255-8 | 2 | Washer-Lock |
| 28 | 3218-2 | 2 | Nut-Jam |
| 29 | 32149-8 | 2 | Nut-Keps |
| 30 | 99-7406 | 1 | Solenoid |
| 31 | 80-9330 | 1 | Alarm-Audio |
| 31:1 | 104-5107 | 1 | Nut-Plastic, Knurled |
| 32 | 99-7230 | 1 | Fitting-90 DEG |
| 33 | 99-7842 | 1 | Hose-Breather |
| 34 | 99-7352 | 1 | Decal-Information |
| 36 | 2412-36 | 2 | Clamp-Hose |
| 37 | 92-5018-03 | 1 | Clamp-Battery |
| 38 | 95-4042 | 2 | Hook-Retain, Battery |
| 39 | 104-7201 | 2 | Nut-HF |
| 40 | 104-7102 | 1 | Pad-Battery |



Air Cleaner Assembly No. 99-7120

| Ref | Part No. | Qty. | Description |
|-----|----------|------|----------------|
| ②1 | | 1 | Body |
| 2 | 93-2195 | 1 | Filter |
| 3 | 94-3652 | 1 | Cover ASM |
| 4 | 87-9400 | 1 | Valve-Vacuator |
| ②5 | | 1 | Plug |
| ②6 | | 1 | Marking |

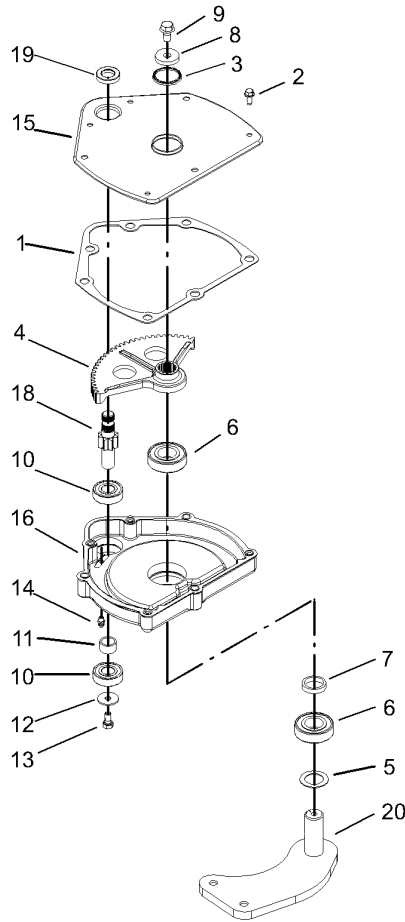
| | | | |
|--|--|--|--|
| | | | |
|--|--|--|--|



Upper Steering Assembly

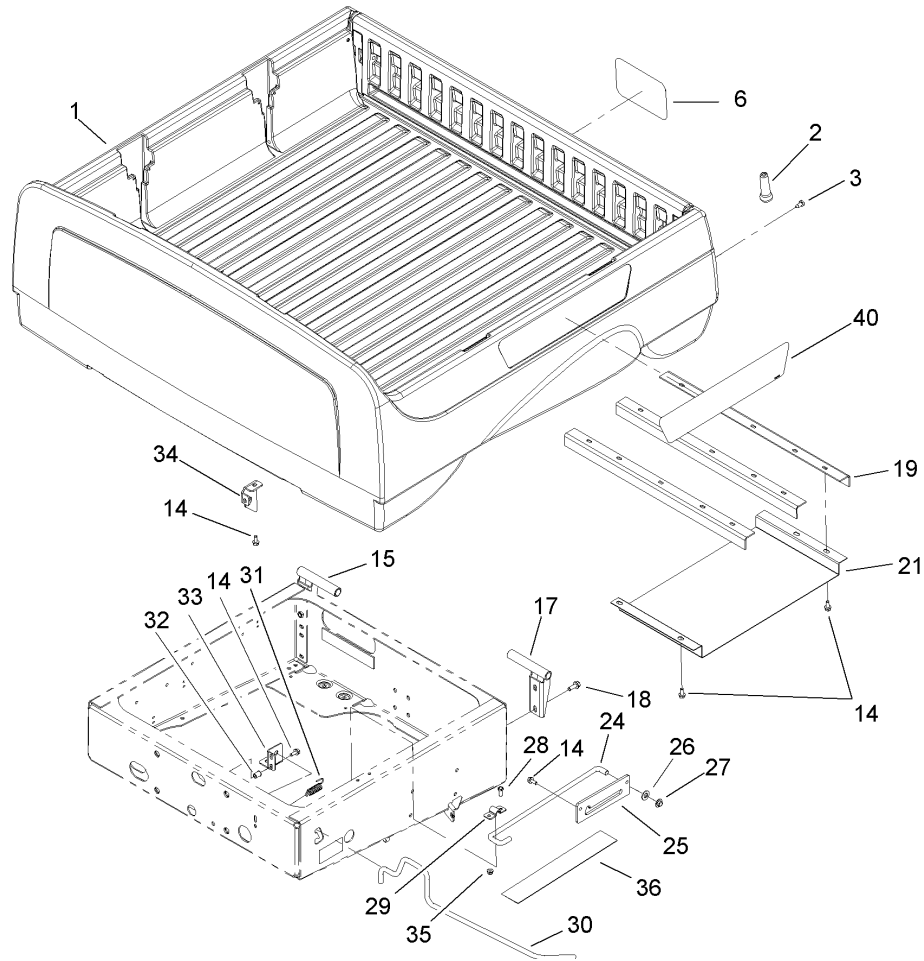
| Ref | Part No. | Qty. | Description |
|------|------------|------|-------------------------|
| 1 | 3277-1 | 1 | Nut-Hex |
| 2 | 48-8070 | 1 | Washer-Lock |
| 3 | 98-1471 | 1 | Wheel-Steering |
| 3:1 | 98-1468 | 1 | Cover-Wheel, Steering |
| 4 | 104-8300 | 7 | Nut-Flange, NI |
| 5 | 99-7660 | 1 | Steering Gearbox ASM |
| 6 | 48-7730 | 1 | Screw-HH |
| 7 | 3253-4 | 1 | Washer-Lock |
| 8 | 99-7653 | 1 | Shaft-Steering |
| 9 | 322-10 | 3 | Screw-HH |
| 10 | 93-1146 | 2 | Bushing-Upper, Steering |
| 11 | 3230-1 | 4 | Bolt-CARR |
| 12 | 99-7651-03 | 1 | Column-Steering |
| 13 | 21-9260 | 1 | Cover-Dust |
| 15 | 98-1459 | 1 | Decal |
| 16 | 111383 | 1 | Collar |
| 16:1 | 3245-32 | 1 | Screw-HS |

| | | | |
|--|--|--|--|
| | | | |
|--|--|--|--|



Steering Gearbox Assembly No. 99-7660

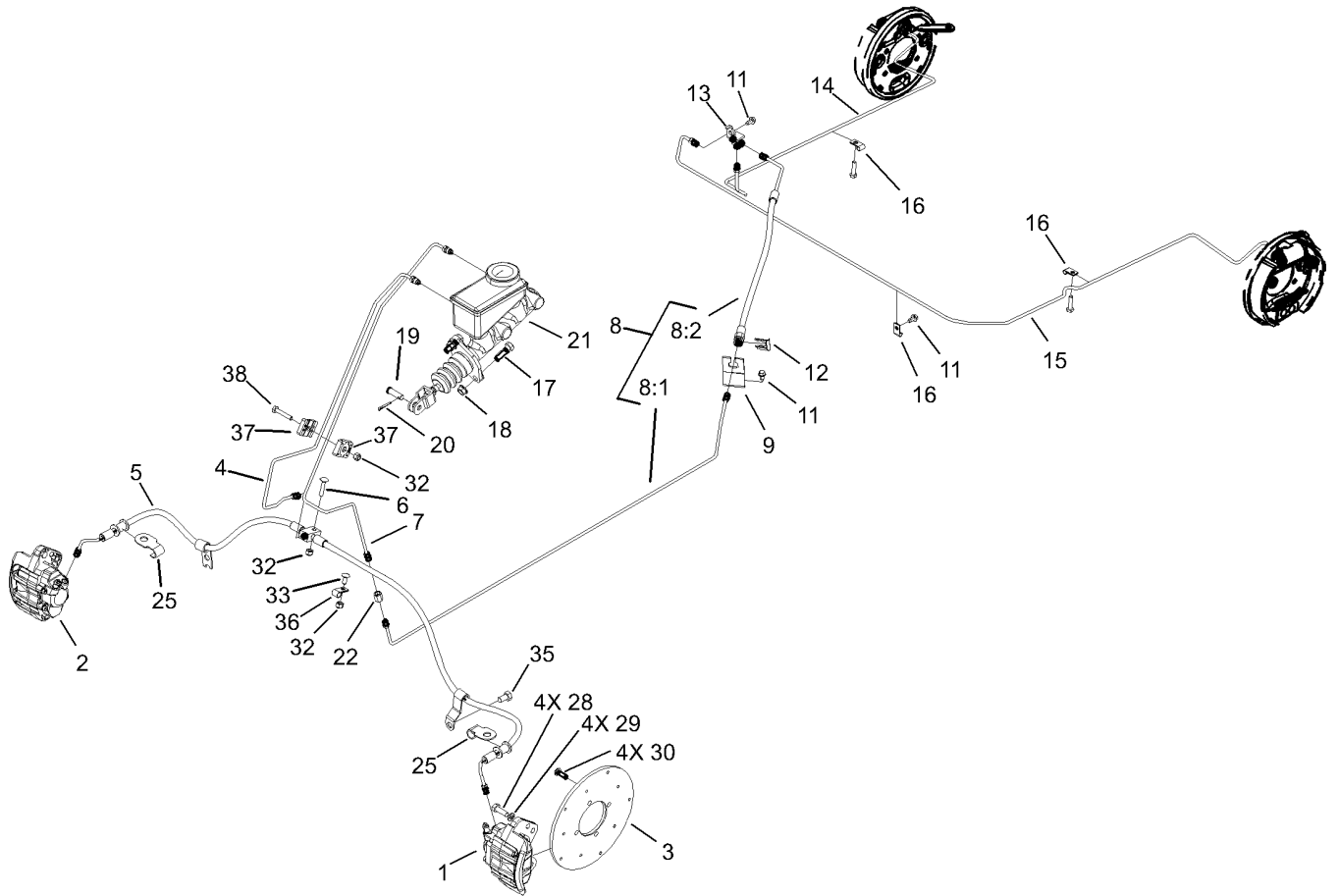
| Ref | Part No. | Qty. | Description | |
|-----|------------|------|-------------------------|--|
| 1 | 94-2135 | 1 | Gasket | |
| 2 | 32144-10 | 4 | Screw-HWH | |
| 3 | 103118 | 1 | Seal | |
| 4 | 99-7843 | 1 | Sector-Gear | |
| 5 | 3256-42 | 1 | Washer-Flat | |
| 6 | 251-82 | 2 | Bearing-Ball | |
| 7 | 94-2218 | 1 | Spacer-Shaft, Output | |
| 8 | 104-6563 | 1 | Washer-Stepped | |
| 9 | 104-7156 | 1 | Screw-HHF | |
| 10 | 38-7820 | 2 | Bearing-Ball | |
| 11 | 94-2217 | 1 | Spacer-Shaft, Input | |
| 12 | 3256-82 | 1 | Washer-Flat | |
| 13 | 98-3498 | 1 | Screw-HH | |
| 14 | 302-5 | 1 | Fitting-Grease | |
| 15 | 99-7656-03 | 1 | Cover-Housing, Steering | |
| 16 | 99-7658 | 1 | Housing-Steering | |
| 18 | 99-7650 | 1 | Gear-Pinion | |
| 19 | 99-7657 | 1 | Seal-Oil | |
| 20 | 99-7601-03 | 1 | Arm-Pitman | |



Box Assembly

| Ref | Part No. | Qty. | Description |
|-----|------------|------|-------------------------|
| 1 | | 1 | Box And Tailgate ASM |
| 2 | 99-7984 | 2 | Knob-Soft Grip, Push-On |
| 3 | 87-8460 | 2 | Bumper-Rubber |
| 6 | 104-7213 | 1 | Decal |
| 14 | 3234-5 | 18 | Screw |
| 15 | 99-7309-03 | 1 | RH Pivot Bracket ASM |
| 17 | 99-7308-03 | 1 | LH Pivot Bracket ASM |
| 18 | 3234-11 | 4 | Screw-HHF |
| 19 | 99-7864-03 | 3 | Brace-Box |
| 21 | 99-7870 | 1 | Shield-Heat |
| 24 | 99-7895 | 1 | Rod-Prop |
| 25 | 99-7894 | 1 | Bracket-Rod, Prop |
| 26 | 3256-26 | 1 | Washer-Flat |
| 27 | 32112-14 | 1 | Nut-Push |
| 28 | 3234-17 | 2 | Screw-HHF |
| 29 | 99-7896 | 1 | Bracket-U, Prop Rod |
| 30 | 99-7745 | 1 | Rod-Latch |
| 31 | 5-7290 | 1 | Spring-Tension |
| 32 | 32148-7 | 2 | Insert-Nut |
| 33 | 99-7744-03 | 1 | Bracket-Latch |
| 34 | 99-7742-03 | 1 | Hook-Latch, RH |
| 35 | 104-8300 | 1 | Nut-Flange, NI |
| 36 | 104-6859 | 1 | Shield-Heat |
| 40 | 104-7265 | 2 | Decal |

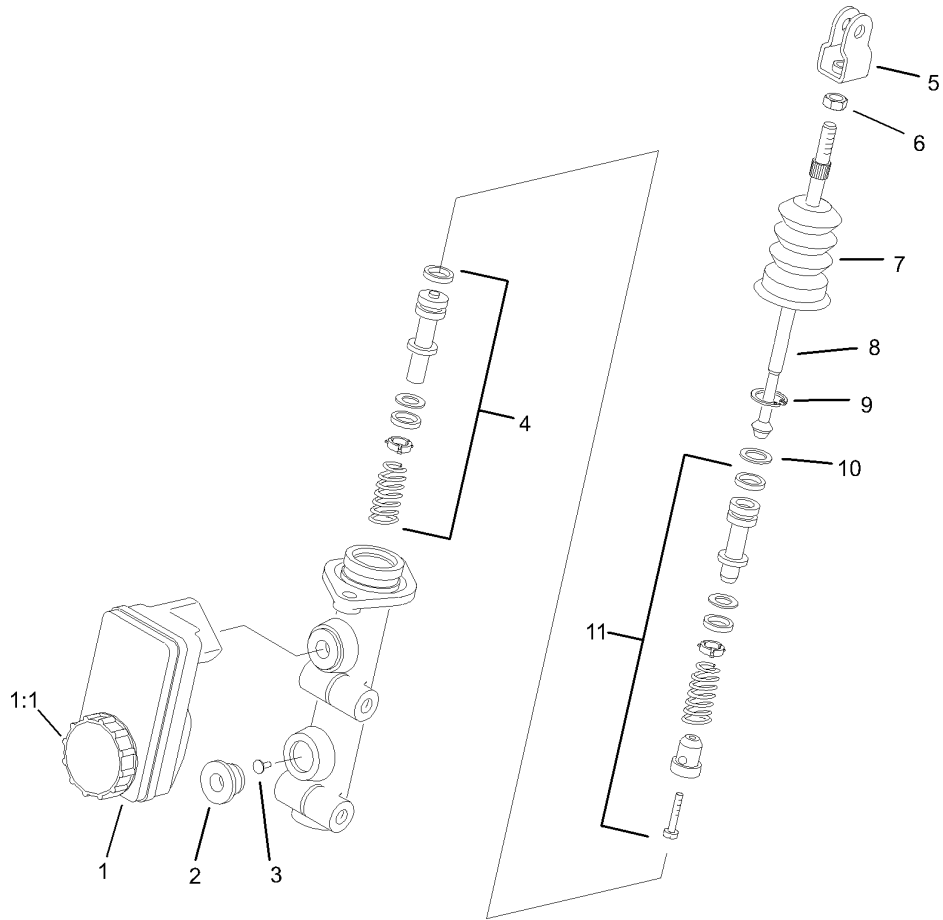
| | | | |
|--|--|--|--|
| | | | |
| | | | |
| | | | |
| | | | |



Hydraulic Brake Assembly

| Ref | Part No. | Qty. | Description |
|-----|----------|------|------------------------------|
| 1 | 107-0361 | 1 | Caliper, LH |
| 2 | 107-0362 | 1 | Caliper, RH |
| 3 | 104-6891 | 2 | Rotor |
| 4 | 104-6798 | 1 | Tube-Front, Brake |
| 5 | 104-7256 | 1 | Hose Asm, Front |
| 6 | 3229-3 | 1 | Screw-CARR |
| 7 | 104-6793 | 1 | Tube-Brake, Rear |
| 8 | | 1 | Complete Rear Brake Hose ASM |
| 8:1 | 104-6794 | 1 | Tube-Brake, Rear |
| 8:2 | 104-6795 | 1 | Hose-Brake, Rear |
| 9 | 104-6799 | 1 | Bracket-Hose, Brake |
| 11 | 12-3270 | 3 | Screw |
| 12 | 104-7092 | 1 | Clip |
| 13 | 87-3560 | 1 | Tee |
| 14 | 104-6796 | 1 | Tube-Brake Rear, RH |
| 15 | 104-6797 | 1 | Tube-Brake Rear, LH |
| 16 | 2412-72 | 3 | Clip-Closed, Insulated |
| 17 | 323-6 | 2 | Screw-HH |
| 18 | 3290-357 | 2 | Nut-HHF |
| 19 | 283-2 | 1 | Pin-Clevis |
| 20 | 3272-10 | 1 | Pin-Cotter |
| 21 | 104-6782 | 1 | Cylinder-Master |
| 22 | 87-3570 | 1 | Union |
| 25 | 104-7073 | 2 | Bracket-Hose |

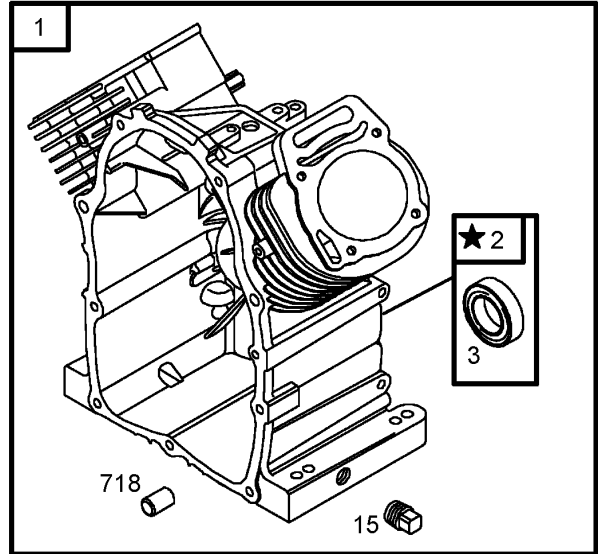
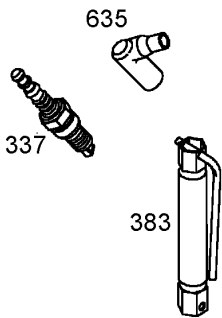
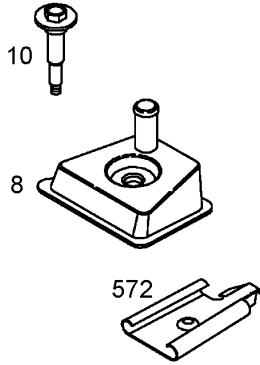
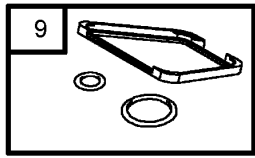
| Ref | Part No. | Qty. | Description |
|-----|----------|------|--------------|
| 28 | 323-6 | 4 | Screw-HH |
| 29 | 3253-21 | 4 | Washer-Lock |
| 30 | 3274-55 | 8 | Screw-HSBH |
| 32 | 3296-42 | 3 | Nut-Lock, NI |
| 33 | 3229-11 | 1 | Screw-CARR |
| 35 | 32144-14 | 2 | Screw-HWH |
| 36 | 2412-89 | 1 | Clamp |
| 37 | 87-7660 | 2 | Clamp-Tube |
| 38 | 321-9 | 1 | Screw-HH |



Master Cylinder Assembly No. 104-6782

| Ref | Part No. | Qty. | Description |
|-----|----------|------|----------------------|
| 1 | 104-6845 | 1 | Reservoir ASM |
| 1:1 | 92-4112 | 1 | Cap ASM |
| 2 | 93-8971 | 2 | Seal-Port, Flange |
| 3 | 92-4103 | 1 | Pin-Stop |
| 4 | 92-4102 | 1 | Secondary Piston ASM |
| 5 | 92-4110 | 1 | Clevis |
| 6 | 21-0360 | 1 | Nut-Hex |
| 7 | 94-5209 | 1 | Cover-Dust |
| 8 | 94-5210 | 1 | Rod-Push |
| 9 | 92-4109 | 1 | Circlip |
| 10 | 92-4108 | 1 | Retainer-Washer |
| 11 | 92-4101 | 1 | Primary Piston ASM |

| | | | |
|--|--|--|--|
| | | | |
|--|--|--|--|



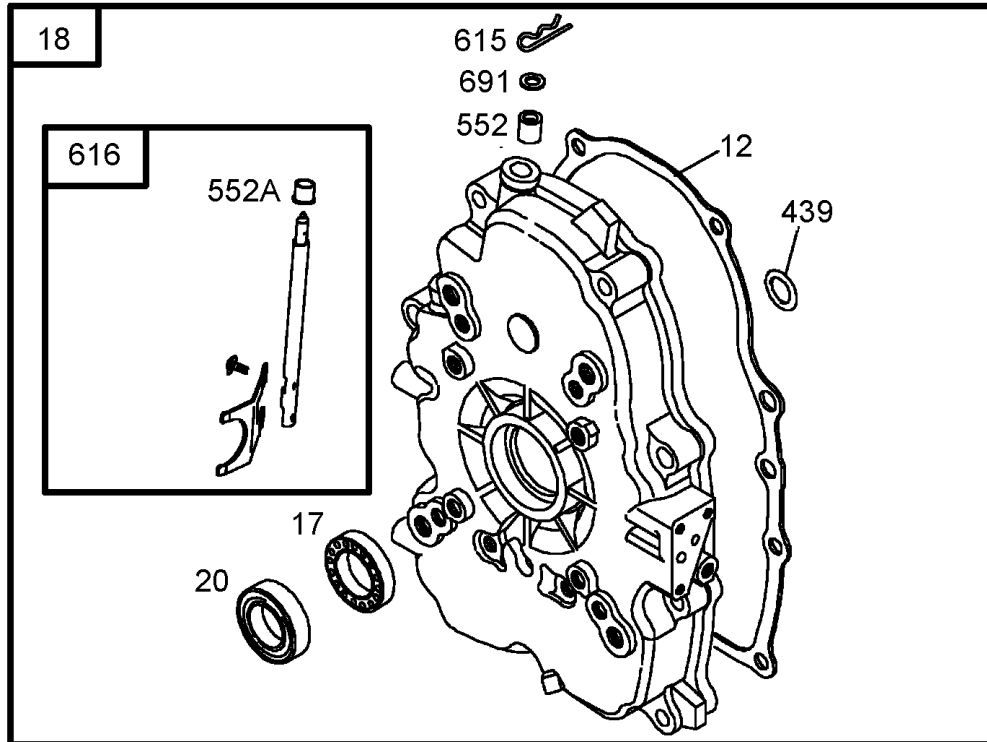
1019 LABEL KIT

Assemblies include all parts shown in frames.

Cylinder Assembly Briggs and Stratton 303440-1326-E1

| Ref | Part No. | Qty. | Description |
|------|----------|------|---------------------------------|
| 1 | 692178 | 1 | Cylinder ASM |
| 2 | 808534 | 1 | Bushing/seal Kit (Magneto Side) |
| 3 | 805101 | 1 | Seal-oil (Magneto Side) |
| 8 | 808984 | 1 | Breather ASM |
| 9 | 809094 | 1 | Gasket-breather |
| 10 | 690751 | 1 | Screw (Breather Asm) |
| 15 | 690946 | 1 | Plug-drain, Oil |
| 337 | 496018 | 1 | Plug-spark |
| 383 | 19374 | 1 | Wrench-plug, Spark |
| 572 | 690686 | 1 | Baffle-breather |
| 635 | 692076 | 1 | Boot-plug, Spark |
| 718 | 690684 | 1 | Pin-locating |
| 1019 | 808036 | 1 | Label Kit |

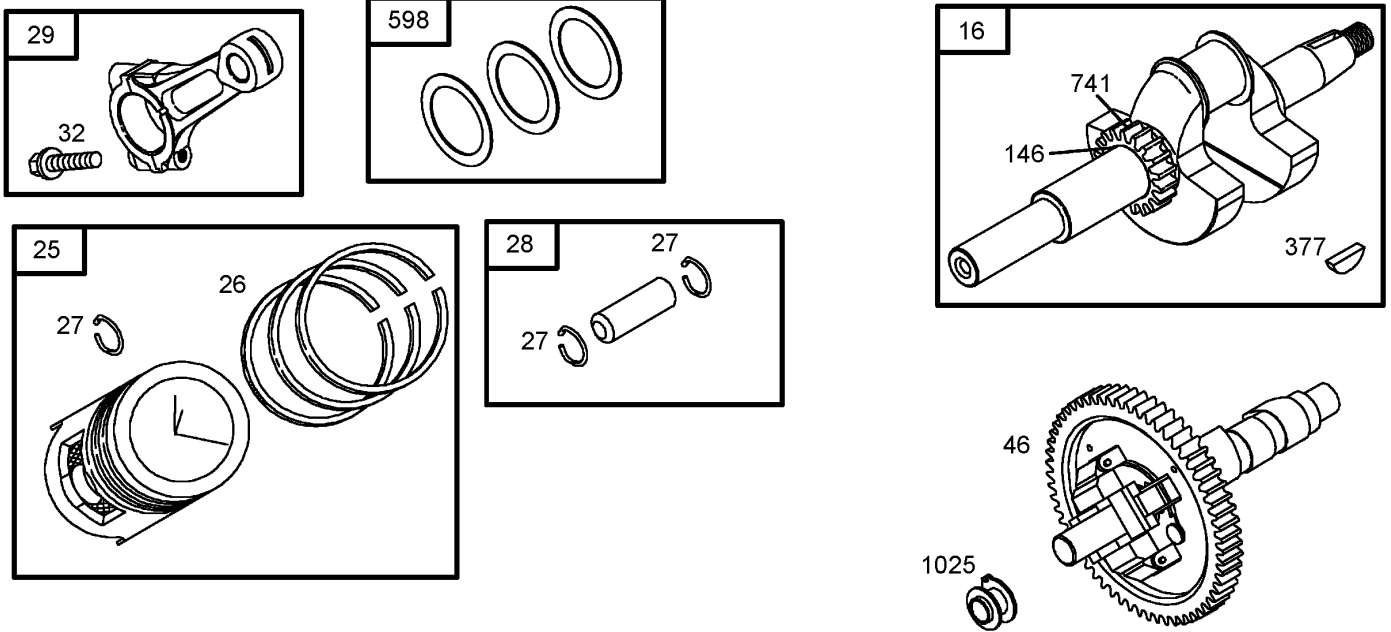
| | | | |
|--|--|--|--|
| | | | |
|--|--|--|--|



Assemblies include all parts shown in frames.

Crankcase Assembly Briggs and Stratton 303440-1326-E1

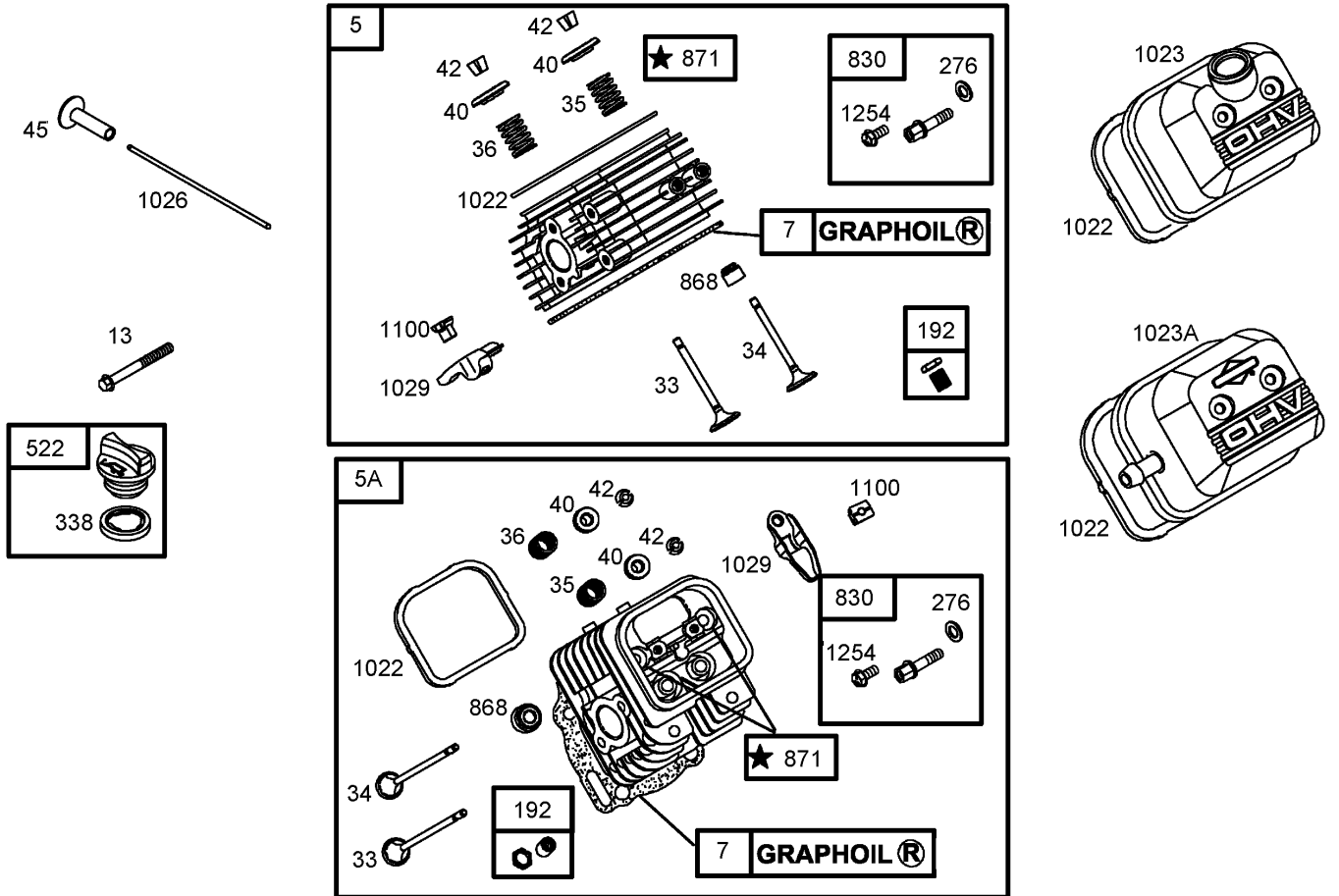
| Ref | Part No. | Qty. | Description | | | | |
|------|----------|------|-------------------------------|--|--|--|--|
| 12 | 691684 | 1 | Gasket—crankcase | | | | |
| 17 | 690752 | 1 | Bearing—ball | | | | |
| 18 | 808847 | 1 | Cover—crankcase | | | | |
| 20 | 805049 | 1 | Seal—oil (Pto Side) | | | | |
| 22 | 692540 | 1 | Screw (Crankcase Cover) | | | | |
| 276A | 690704 | 1 | Washer—sealing | | | | |
| 439 | 692154 | 1 | Seal—o Ring (Crankcase Cover) | | | | |
| 552 | 690701 | 1 | Bushing—crank, Governor | | | | |
| 552A | 806686 | 1 | Bushing—crank, Governor | | | | |
| 615 | 691550 | 1 | Retainer—shaft, Governor | | | | |
| 616 | 806685 | 1 | Crank—governor | | | | |
| 691 | 690680 | 1 | Seal—shaft, Governor | | | | |



Assemblies include all parts shown in frames.

Crankshaft Assembly Briggs and Stratton 303440-1326-E1

| Ref | Part No. | Qty. | Description |
|------|----------|------|----------------------------|
| 16 | 692163 | 1 | Crankshaft |
| 25 | 807619 | 1 | Piston ASM (Standard) |
| 25 | 807807 | 1 | Piston ASM (.010 Oversize) |
| 25 | 807809 | 1 | Piston ASM (.020 Oversize) |
| 25 | 807811 | 1 | Piston ASM (.030 Oversize) |
| 26 | 807620 | 1 | Ring Set (Standard) |
| 26 | 807808 | 1 | Ring Set (.010 Oversize) |
| 26 | 807810 | 1 | Ring Set (.020 Oversize) |
| 26 | 807812 | 1 | Ring Set (.030 Oversize) |
| 27 | 690683 | 1 | Lock-pin, Piston |
| 28 | 807621 | 1 | Pin-piston |
| 29 | 807900 | 1 | Rod-connecting (Standard) |
| 29 | 807809 | 1 | Piston ASM (.020 Oversize) |
| 32 | 690698 | 1 | Screw (Connecting Rod) |
| 46 | 692157 | 1 | Camshaft |
| 146 | 691639 | 1 | Key-timing |
| 377 | 808095 | 1 | Key-woodruff |
| 598 | 807625 | 1 | Shim-play, End |
| 741 | 691530 | 1 | Gear-timing |
| 1025 | 690689 | 1 | Spool-governor |

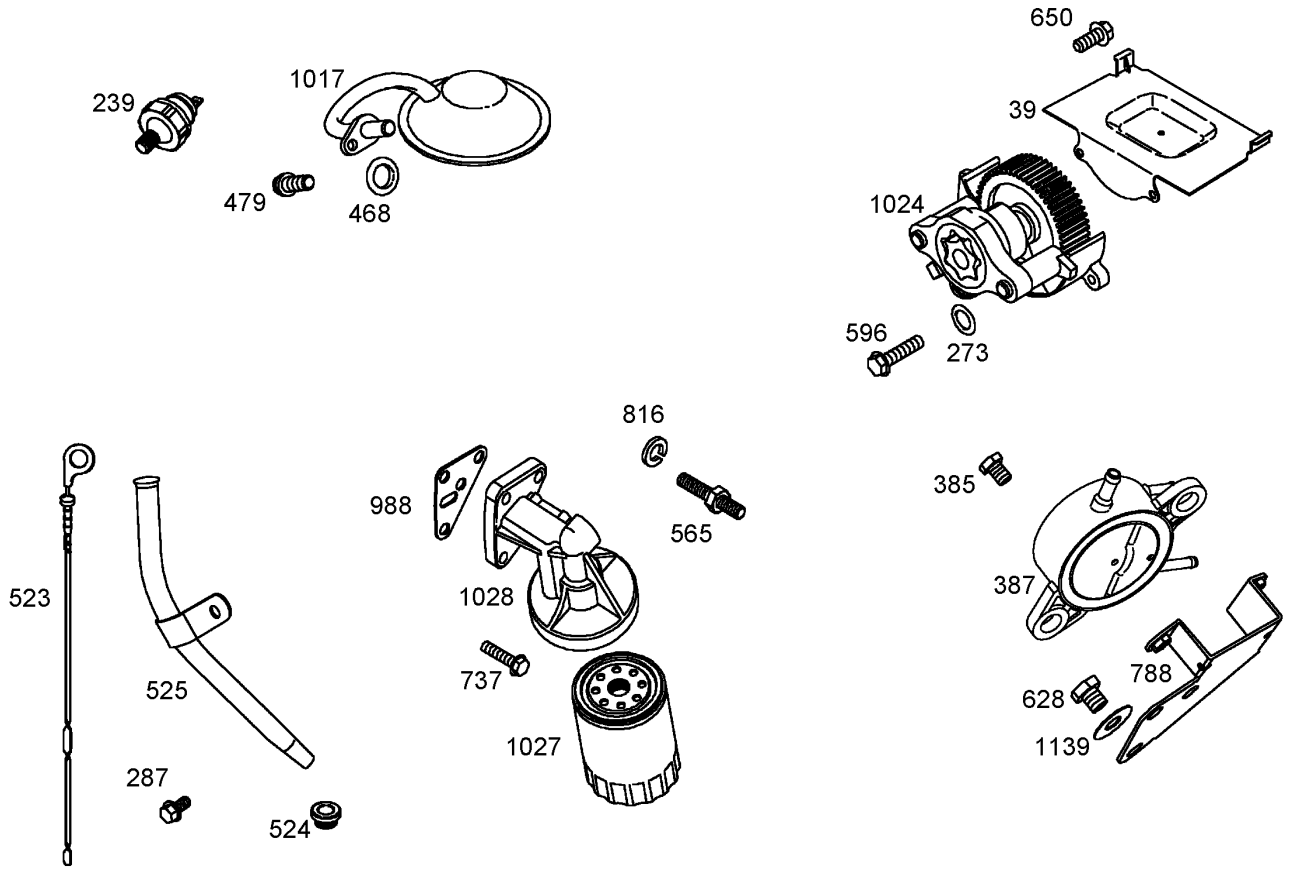


Assemblies include all parts shown in frames.

Cylinder Head Assembly Briggs and Stratton 303440-1326-E1

| Ref | Part No. | Qty. | Description |
|-------|----------|------|----------------------------|
| 5 | 809200 | 1 | Head-cylinder (Cylinder 1) |
| 5A | 809201 | 1 | Head-cylinder (Cylinder 2) |
| 47 | 806085 | 1 | Gasket-head, Cylinder |
| 6 | | | |
| 13 | 692059 | 1 | Screw (Cylinder Head) |
| 33 | 807681 | 1 | Valve-exhaust |
| 34 | 807680 | 1 | Valve-intake |
| 35 | 692084 | 1 | Spring-valve (Intake) |
| 36 | 692084 | 1 | Spring-valve (Intake) |
| 40 | 692058 | 1 | Retainer-valve |
| 42 | 807683 | 1 | Keeper-valve |
| 45 | 690977 | 1 | Tappet-valve |
| 192 | 807623 | 1 | Adjuster-arm, Rocker |
| 276 | 807085 | 1 | Washer-sealing |
| 4338 | 691312 | 1 | Gasket-dipstick |
| 6 | | | |
| 522 | 491832 | 1 | Plug-dipstick/fill |
| 830 | 809157 | 1 | Stud-arm, Rocker |
| 868 | 691963 | 1 | Seal-valve |
| 6 | | | |
| 871 | 692057 | 1 | Bushing-guide, Valve |
| 41022 | 806039 | 1 | Gasket-cover, Rocker |
| 6 | | | |
| 1023 | 690758 | 1 | Cover-valve |
| 1023A | 691558 | 1 | Cover-valve |

| Ref | Part No. | Qty. | Description |
|------|----------|------|-------------------------|
| 1026 | 691836 | 1 | Rod-push (Intake) |
| 1026 | 691758 | 1 | Rod-push (Exhaust) |
| 1029 | 807323 | 1 | Arm-rocker |
| 1100 | 690973 | 1 | Pivot-arm, Rocker |
| 1254 | 807084 | 1 | Screw (Rocker Arm Stud) |

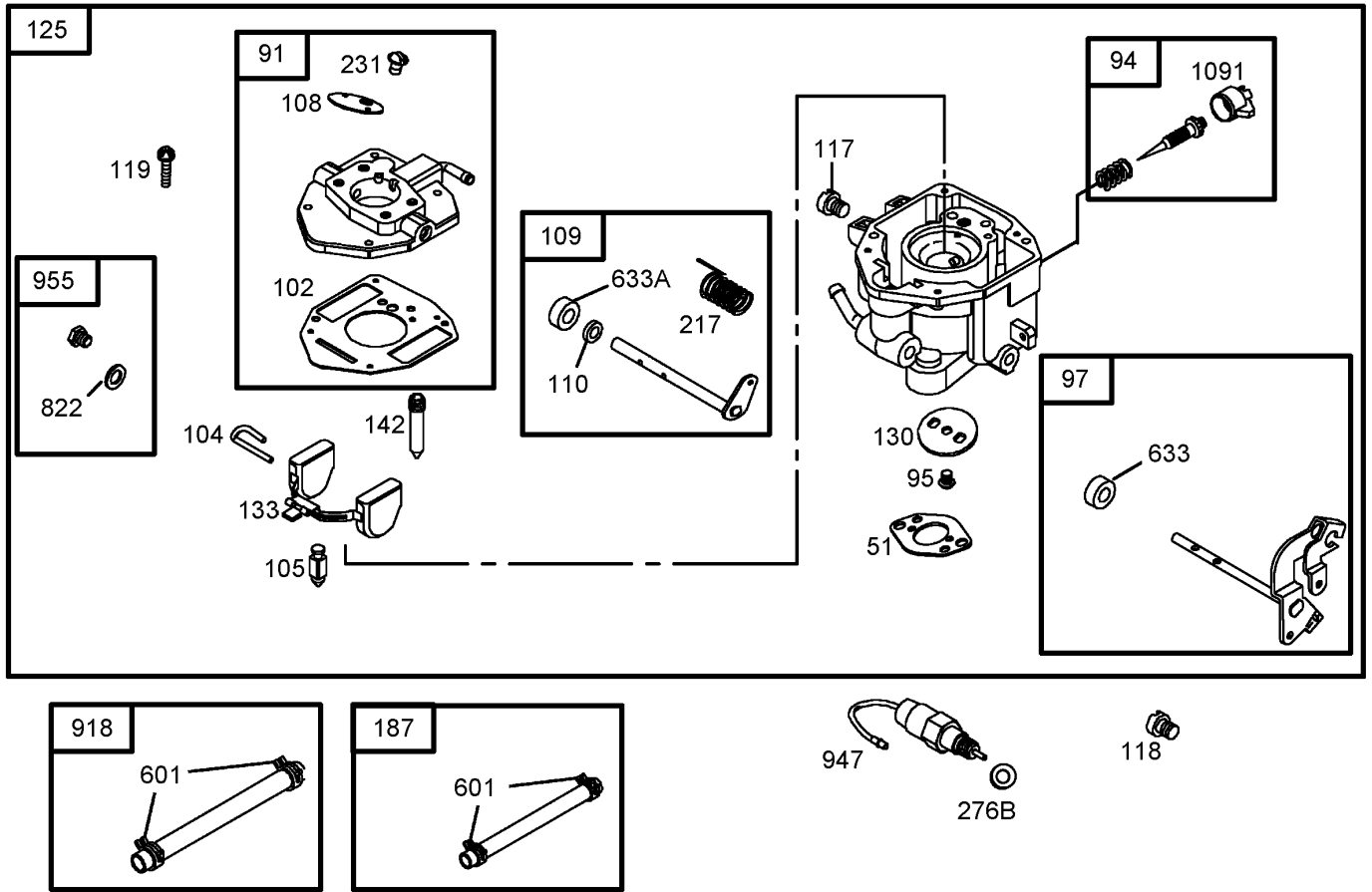


Assemblies include all parts shown in frames.

Oil Filter, Tube and Pump Assembly Briggs and Stratton 303440-1326-E1

| Ref | Part No. | Qty. | Description |
|------|----------|------|-------------------------------|
| 39 | 690745 | 1 | Deflector-oil |
| 239 | 690233 | 1 | Switch-pressure, Oil |
| 273 | 690681 | 1 | Seal-o Ring (Oil Pump) |
| 287 | 692062 | 1 | Screw (Dipstick Tube) |
| 385 | 807084 | 1 | Screw (Rocker Arm Stud) |
| 387 | 808656 | 1 | Pump-fuel |
| 468 | 690690 | 1 | Seal-o Ring (Oil Pump Screen) |
| 479 | 692537 | 1 | Screw (Oil Pump Screen) |
| 523 | 693175 | 1 | Dipstick |
| 524 | 693172 | 1 | Seal-tube, Dipstick |
| 525 | 693173 | 1 | Tube-dipstick |
| 565 | 690682 | 1 | Stud (Oil Filter Adapter) |
| 596 | 691492 | 1 | Screw (Oil Pump) |
| 628 | 806660 | 1 | Screw (Fuel Pump Bracket) |
| 650 | 692539 | 1 | Screw (Cylinder Head Cover) |
| 737 | 690679 | 1 | Screw (Oil Filter Adapter) |
| 788 | 691559 | 1 | Bracket-pump, Fuel |
| 816 | 690706 | 1 | Washer (Oil Filter Adapter) |
| 988 | 692063 | 1 | Gasket-adapter, Oil Filter |
| 1017 | 690900 | 1 | Screen-pump, Oil |
| 1024 | 693185 | 1 | Pump-oil |
| 1027 | 492932 | 1 | Filter-oil |
| 1028 | 808235 | 1 | Adapter-filter, Oil |
| 1139 | 806497 | 1 | Washer (Fuel Pump Bracket) |

| | | | |
|--|--|--|--|
| | | | |
|--|--|--|--|

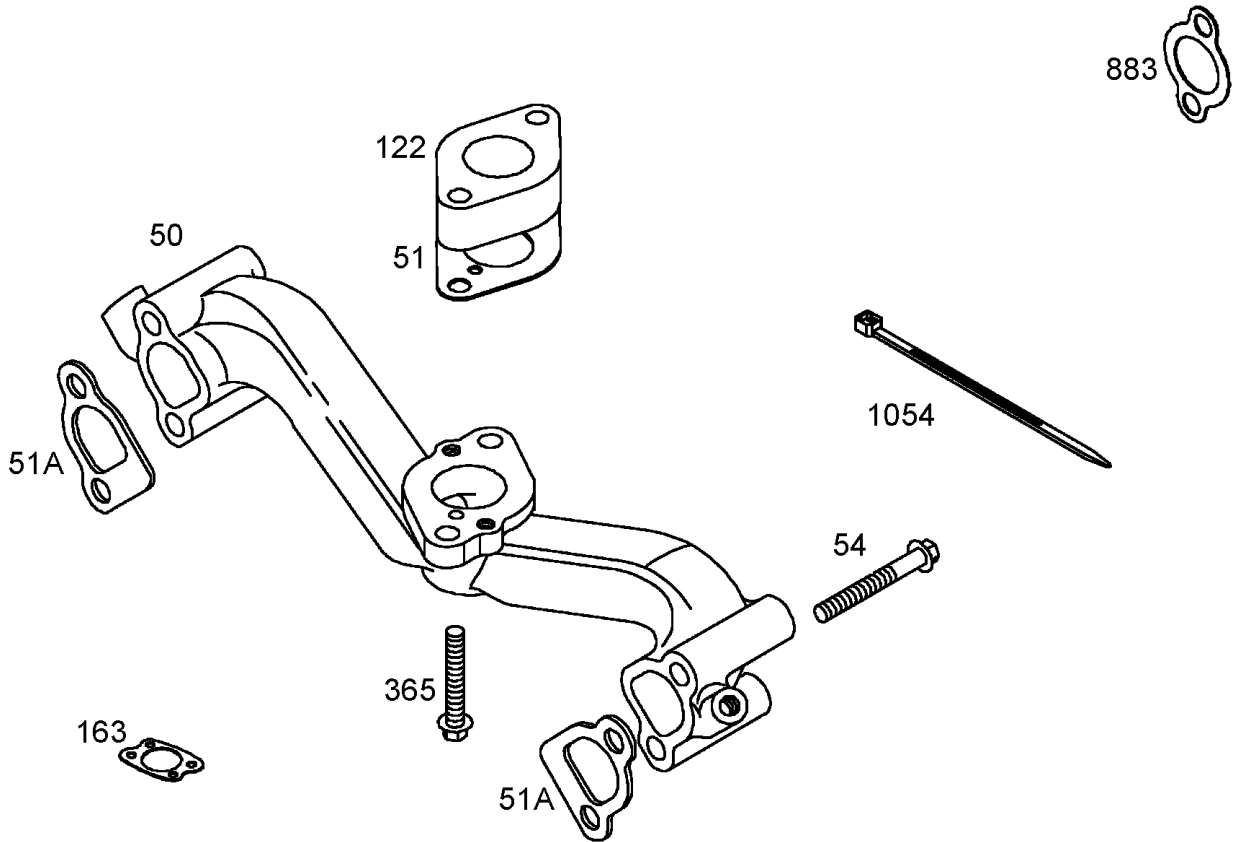


Assemblies include all parts shown in frames.

Carburetor Assembly Briggs and Stratton 303440-1326-E1

| Ref | Part No. | Qty. | Description |
|------|----------|------|------------------------------------|
| 51 | 691694 | 1 | Gasket-Intake |
| 91 | 808964 | 1 | Body-carburetor, Upper |
| 94 | 808257 | 1 | Idle Mixture Kit |
| 95 | 690718 | 1 | Screw (Throttle Valve) |
| 97 | 841498 | 1 | Shaft-throttle |
| 102 | 692077 | 1 | Gasket-body, Carburetor |
| 104 | 690723 | 1 | Pin-hinge, Float |
| 105 | 692078 | 1 | Valve-needle, Float |
| 108 | 690719 | 1 | Valve-choke |
| 109 | 808962 | 1 | Shaft-choke |
| 110 | 806861 | 1 | Washer (Choke Shaft) |
| 117 | 806859 | 1 | Jet-main |
| 118 | 807115 | 1 | Jet-main (High Altitude) |
| 119 | 690720 | 1 | Screw (Upper To Lower Body) |
| 125 | 841494 | 1 | Carburetor |
| 130 | 690726 | 1 | Valve-throttle |
| 133 | 806961 | 1 | Float-carburetor |
| 142 | 806860 | 1 | Nozzle-carburetor |
| 187 | 691050 | 1 | Line-fuel (Cut To Required Length) |
| 217 | 806862 | 1 | Spring-return, Choke |
| 231 | 690718 | 1 | Screw (Throttle Valve) |
| 276B | 806137 | 1 | Washer-sealing |
| 601 | 691038 | 1 | Clamp-hose |

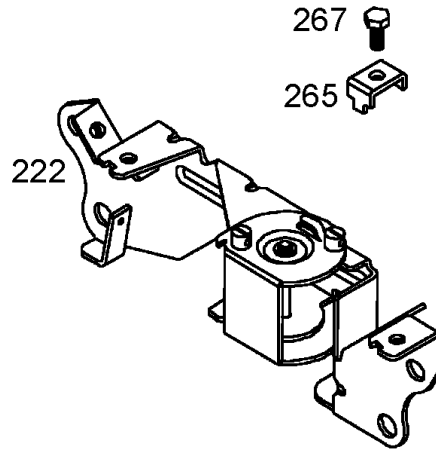
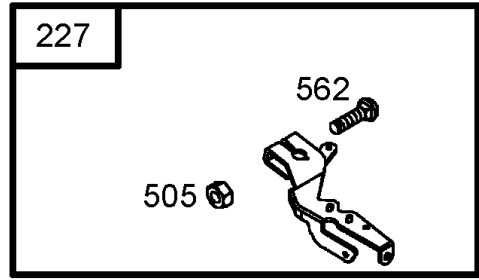
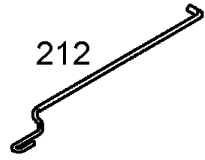
| Ref | Part No. | Qty. | Description |
|------|----------|------|--------------------------------------|
| 633 | 806131 | 1 | Seal-shaft, Choke/throttle |
| 633A | 690722 | 1 | Seal-shaft, Choke/throttle |
| 822 | 690724 | 1 | Seal-o Ring (Carburetor Plug) |
| 918 | 393815 | 1 | Line-vacuum (Cut To Required Length) |
| 947 | 692094 | 1 | Solenoid-fuel |
| 955 | 807723 | 1 | Plug-carburetor |
| 1091 | 691516 | 1 | Cap-limiter |



Assemblies include all parts shown in frames.

Intake Manifold Assembly Briggs and Stratton 303440-1326-E1

| Ref | Part No. | Qty. | Description | | | | |
|------|----------|------|-------------------------|--|--|--|--|
| 50 | 690754 | 1 | Manifold-intake | | | | |
| 51 | 691694 | 1 | Gasket-Intake | | | | |
| 51A | 692035 | 1 | Gasket-intake | | | | |
| 54 | 690676 | 1 | Screw (Intake Manifold) | | | | |
| 122 | 690691 | 1 | Spacer-carburetor | | | | |
| 163 | 692081 | 1 | Gasket-cleaner, Air | | | | |
| 365 | 690711 | 1 | Screw (Carburetor) | | | | |
| 883 | 691613 | 1 | Gasket-exhaust | | | | |
| 1054 | 280275 | 1 | Tie-cable | | | | |

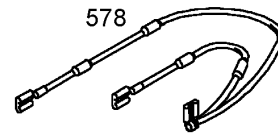
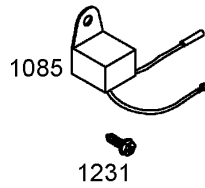
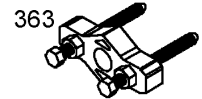
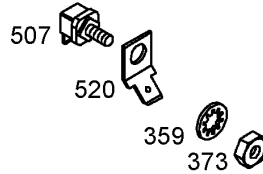
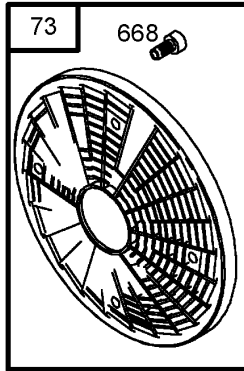
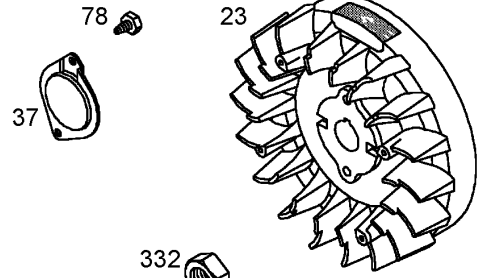
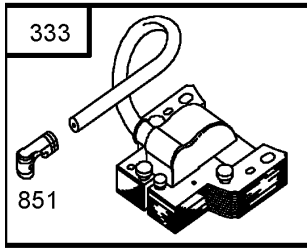


Assemblies include all parts shown in frames.

Governor Assembly Briggs and Stratton 303440-1326-E1

| Ref | Part No. | Qty. | Description |
|-----|----------|------|-------------------------------|
| ②09 | 691507 | 1 | Spring-governor |
| ②12 | 690712 | 1 | Link-throttle |
| ②22 | 691570 | 1 | Bracket-control |
| ②27 | 690236 | 1 | Lever-control, Governor |
| ②32 | 692073 | 1 | Spring-link, Governor |
| ②65 | 691024 | 1 | Clamp-casing |
| ②67 | 692083 | 1 | Screw (Casing Clamp) |
| ⑤05 | 690238 | 1 | Nut (Governor Control Lever) |
| ⑤62 | 690239 | 1 | Bolt (Governor Control Lever) |

| | | | |
|--|--|--|--|
| | | | |
|--|--|--|--|

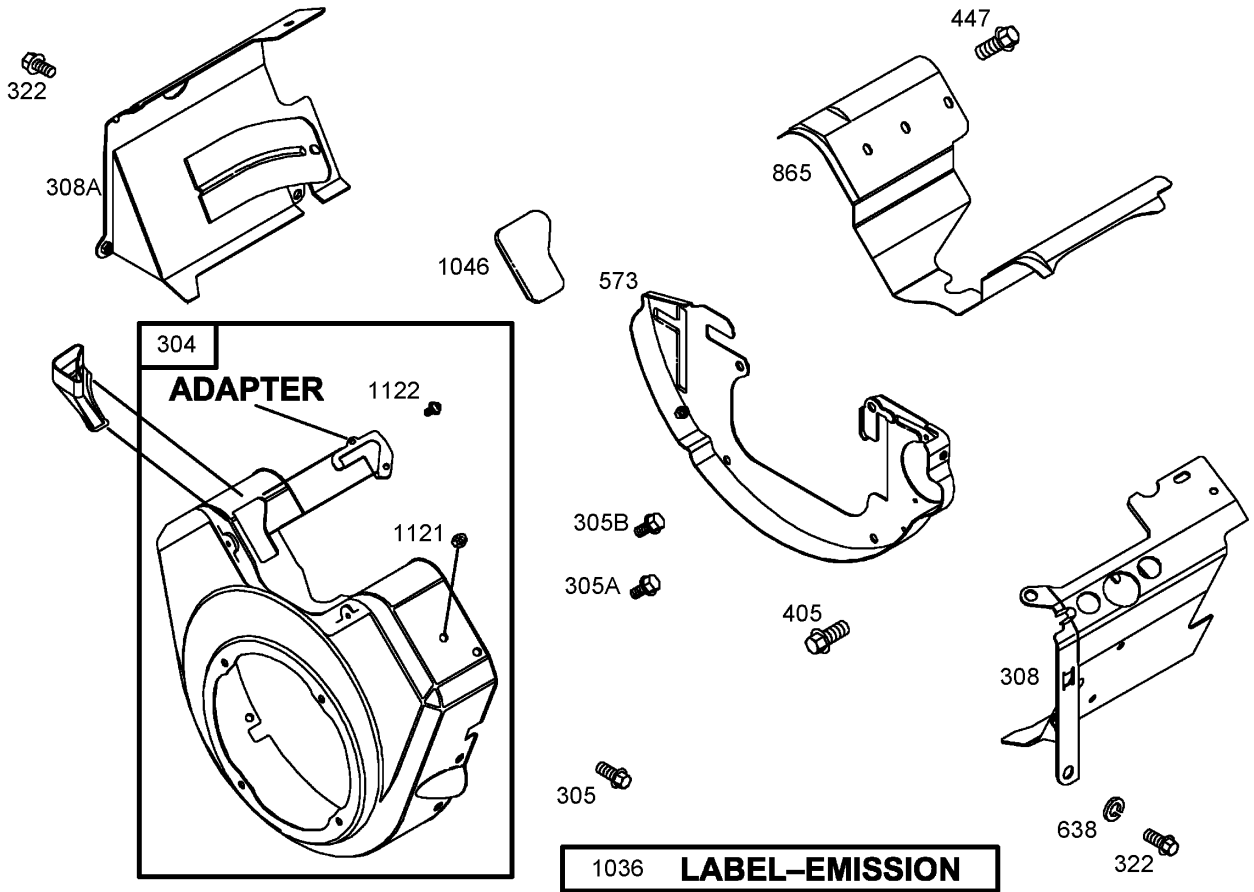


Assemblies include all parts shown in frames.

Flywheel Assembly Briggs and Stratton 303440-1326-E1

| Ref | Part No. | Qty. | Description |
|------|----------|------|--------------------------|
| 23 | 690889 | 1 | Flywheel |
| 37 | 841309 | 1 | Guard-flywheel |
| 73 | 494439 | 1 | Screen-rotating |
| 74 | 691647 | 1 | Screw (Rotating Screen) |
| 78 | 690688 | 1 | Screw (Flywheel Guard) |
| 332 | 690887 | 1 | Nut (Flywheel) |
| 333 | 492341 | 1 | Armature-magneto |
| 334 | 692066 | 1 | Screw (Magneto Armature) |
| 359 | 691077 | 1 | Washer (Ground Terminal) |
| 363 | 19203 | 1 | Puller-flywheel |
| 373 | 691612 | 1 | Nut (Ground Terminal) |
| 507 | 691972 | 1 | Insulator |
| 520 | 691084 | 1 | Terminal-ground |
| 529 | 690744 | 1 | Grommet |
| 578 | 692319 | 1 | Wire ASM |
| 668 | 691500 | 1 | Spacer |
| 729 | 690586 | 1 | Clip-wire |
| 851 | 493880 | 1 | Terminal-sparkplug |
| 1085 | 809093 | 1 | Module-ignition |
| 1231 | 692067 | 1 | Screw (Ignition Module) |

| | | | |
|--|--|--|--|
| | | | |
|--|--|--|--|

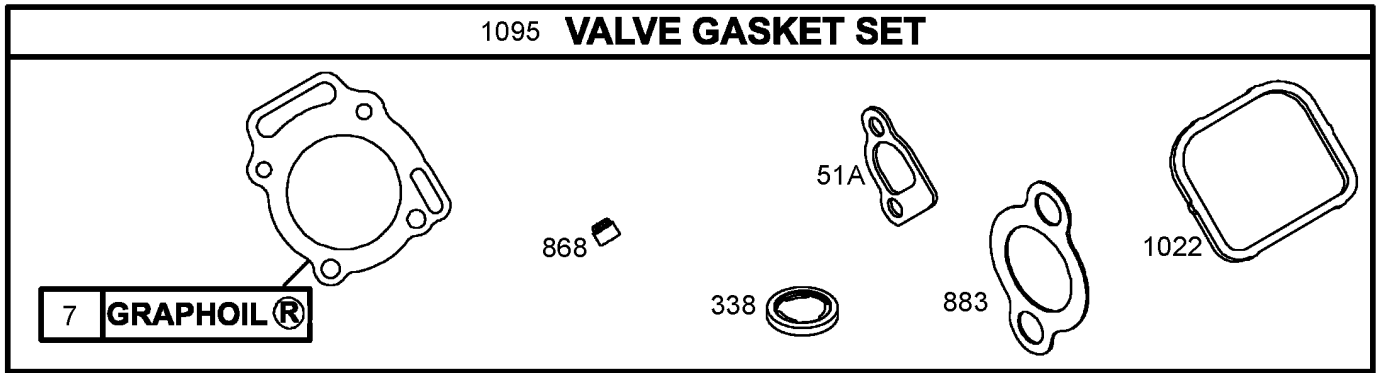


Assemblies include all parts shown in frames.

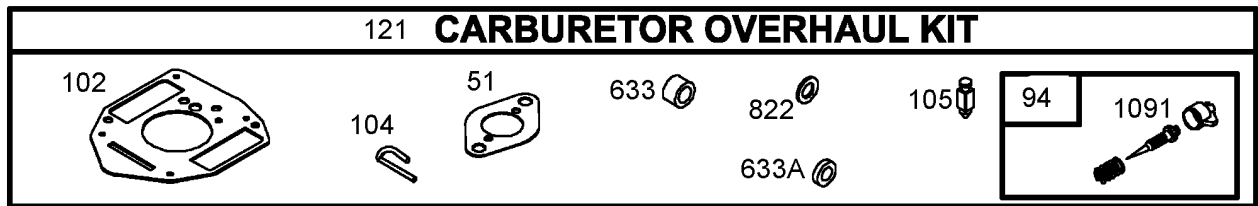
Blower Housing Assembly Briggs and Stratton 303440-1326-E1

| Ref | Part No. | Qty. | Description |
|-------|----------|------|-----------------------------------|
| ③304 | 808408 | 1 | Housing—blower |
| ③305 | 692539 | 1 | Screw (Cylinder Head Cover) |
| ③305A | 692056 | 1 | Screw (Blower Housing) |
| ③305B | 692062 | 1 | Screw (Dipstick Tube) |
| ③308 | 841232 | 1 | Cover—head, Cylinder (Cylinder 1) |
| ③308A | 841182 | 1 | Cover—head, Cylinder (Cylinder 2) |
| ③322 | 692539 | 1 | Screw (Cylinder Head Cover) |
| ③405 | 807163 | 1 | Screw (Backplate) |
| ③447 | 692539 | 1 | Screw (Cylinder Head Cover) |
| ③573 | 690902 | 1 | Plate—back |
| ③638 | 691551 | 1 | Washer (Cylinder Head Cover) |
| ③865 | 690750 | 1 | Cover—guide, Air |
| ③1036 | 806881 | 1 | Label—emission |
| ③1046 | 692082 | 1 | Plug—housing, Blower |
| ③1121 | 810056 | 1 | Nut (Air Cleaner) |
| ③1122 | 93410 | 1 | Screw (Control Wire Casing) |

| | | | |
|--|--|--|--|
| | | | |
|--|--|--|--|



7 **GRAPHOIL®**



Assemblies include all parts shown in frames.

Carburetor Overhaul Kit Assembly Briggs and Stratton 303440-1326-E1

| Ref | Part No. | Qty. | Description |
|---------------|----------|------|-------------------------------|
| ④⑦ ⑥ | 806085 | 1 | Gasket-head, Cylinder |
| ④⑤① ⑥ | 691694 | 1 | Gasket-Intake |
| ④④⑤①A ⑥ | 692035 | 1 | Gasket-intake |
| ⑤⑥⑨④ | 808257 | 1 | Idle Mixture Kit |
| ⑤⑥①② ⑥①④ | 692077 | 1 | Gasket-body, Carburetor |
| ⑥①④ | 690723 | 1 | Pin-hinge, Float |
| ⑤⑥①⑤ ⑥①② | 692078 | 1 | Valve-needle, Float |
| ⑥①② | 809023 | 1 | Carburetor Overhaul Kit |
| ④④③③⑧ ⑥ | 691312 | 1 | Gasket-dipstick |
| ⑤⑥⑥③③ | 806131 | 1 | Seal-shaft, Choke/throttle |
| ⑤⑥⑥③③A | 690722 | 1 | Seal-shaft, Choke/throttle |
| ⑤⑥⑧②② | 690724 | 1 | Seal-o Ring (Carburetor Plug) |
| ④④⑧⑥⑧ ⑥ | 691963 | 1 | Seal-valve |
| ④④⑧⑧③ ⑥ | 691613 | 1 | Gasket-exhaust |
| ④④①②② ⑥ | 806039 | 1 | Gasket-cover, Rocker |
| ⑤⑥①⑤① ⑥①⑤⑤ | 691516 | 1 | Cap-limiter |
| ⑥①⑤⑤ | 808392 | 1 | Valve Gasket Set |

NOTES

NOTES

NOTES

