



NEW HOLLAND

MY19 Yard Tractor

Model No. 725055026 - T04MC0001 and up.

Parts Catalog

Ordering Replacement Parts

To order replacement parts, please supply the part number, the quantity, and the description of each part desired.

Understanding Reference Numbers

Each Identified part in an illustration has a reference number. The reference number for a part also appears in the parts list, along with other information about the part.

This catalog uses two special reference number formats, one to indicate parts in a service assembly and another to indicate the quantity of a given part in an illustration.

Service Assembly Reference Numbers

Parts in service assemblies have reference numbers in the form a:b. The a represents the reference number of the entire service assembly and the b represents a sequential number unique to each part within the service assembly.

For example, a wheel assembly might be identified by reference number 6, the tire by 6:1, the valve by 6:2, and the wheel by 6:3. When you order the assembly identified by reference number 6, you receive all parts identified by reference numbers 6:1, 6:2, and 6:3. However, you may also order any part individually. Reference numbers of this type appear in illustrations and in part lists.

Reference Numbers Indicating Quantity

In an illustration, if a reference number indicates more than one part, the reference number has the form nX y. The n represents the quantity of the part, the X is the multiplication symbol, and the y represents the reference number.

For example, in an illustration, the reference number 2X 37 means that two of the parts identified by reference number 37 are indicated.

Contents

Description	Page	Description	Page
Hood and Grill Assembly	3	Rear Wheel Assembly	26
Hydro Drive Assembly	4	Cruise Control Assembly	27
Front Axle and Front Hitch Assembly	5	Cylinder/Crankcase Assembly Kawasaki Model No. FH50V-BS06	28
PTO Stop Assembly	6	Piston/Crankshaft Assembly Kawasaki Model No. FH580V-BS06	29
Cylinder Engine, Muffler and PTO Assembly	7	Valve and Camshaft Assembly Kawasaki Model No. FH580V-BS06	30
Battery Assembly	8	Lubrication Equipment Assembly Kawakaki Model No. FH580V-BS06	31
Fuel Tank Assembly	9	Cooling Equipment Assembly Kawasaki Model No. FH580V-BS06	32
Lower Steering Wheel and Tilt Assembly	10	Electric Equipment Assembly Kawasaki Model No. FH580V-BS06	33
Steering Wheel and Tilt Assembly	11	Control Equipment Assembly Kawasaki Model No. FH580V-BS06	34
Hoodstand and Firewall Assembly	12	Carburetor Assembly Kawasaki Model No. FH580V-BS06	35
Manual Lift Lever Assembly	13	Air-Filter/Muffler Assembly Kawasaki FH580V-BS06	36
Electric Lift Assembly	14	Fuel Tank/Fuel Valve Assembly Kawasaki Model FH580V-BS06	37
Brake Assembly	15	Starter Assembly Kawasaki Model No. FH580V-BS06	38
Hydro Control Assembly	16	Label Assembly Kawasaki Model No. FH580V-BS06	39
Frame Assembly	17		
Hydro Transaxle Assembly	18		
Housing and Fan Assembly Transaxle Assembly No. 104-4310	19		
Differential Gear Assembly Transaxle Assembly No. 104-4310	20		
Brake Assembly Transaxle Assembly No. 104-4310	21		
Cylinder Block Assembly Transaxle Assembly No. 104-4310	22		
Fender and Footrest Assembly	23		
Seat Assembly	24		
Dash Assembly	25		

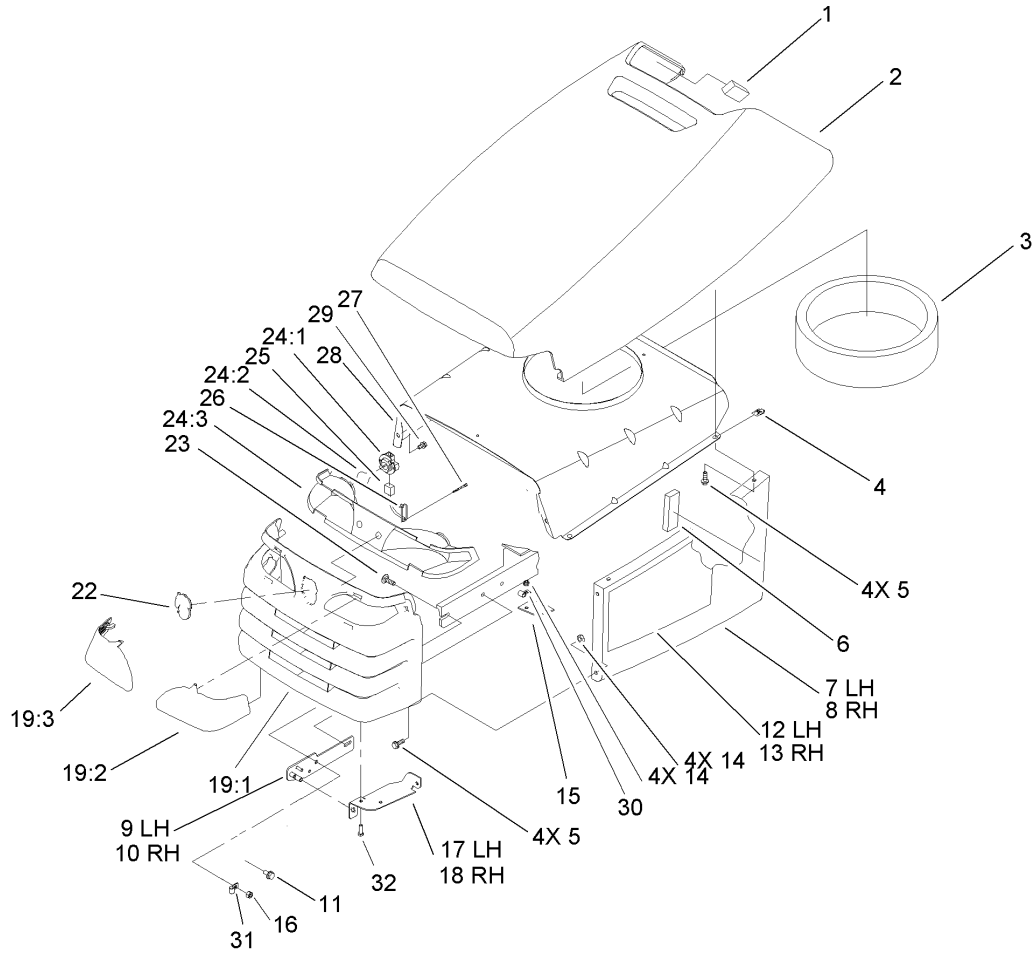
Part Description Abbreviations

Part descriptions in this catalog may include the following abbreviations.

AR. as required	INC. incorporated
ASM. assembly	LH. left hand
CARR. carriage	NI. nylon insert
DEG. degrees	PPH. phillips pan head
FH. flat head	PTH. phillips truss head
GA. gauge	PTO. power take off
HF. hex flange	RH. right hand
HH. hex head	SFH. slotted fillister head
HHF. hex head flange	SHH. slotted hex head
HHFTF. hex head flange thread forming	SHWH. slotted hex washer head
HJ. hex jam	SPH. slotted pan head
HLH. hex lag head	SQH. square head
HOC. height-of-cut	SRH. slotted round head
HS. hex	STD. standard
HSBH. hex socket button head	TAP. self tapping
HSFH. hex socket flat head	TTH. torx truss head
HSH. hex socket head	WH. wing head
HWH. hex washer head	
HWHTF. hex washer head thread forming	
HYD. hydraulic	

Footnotes

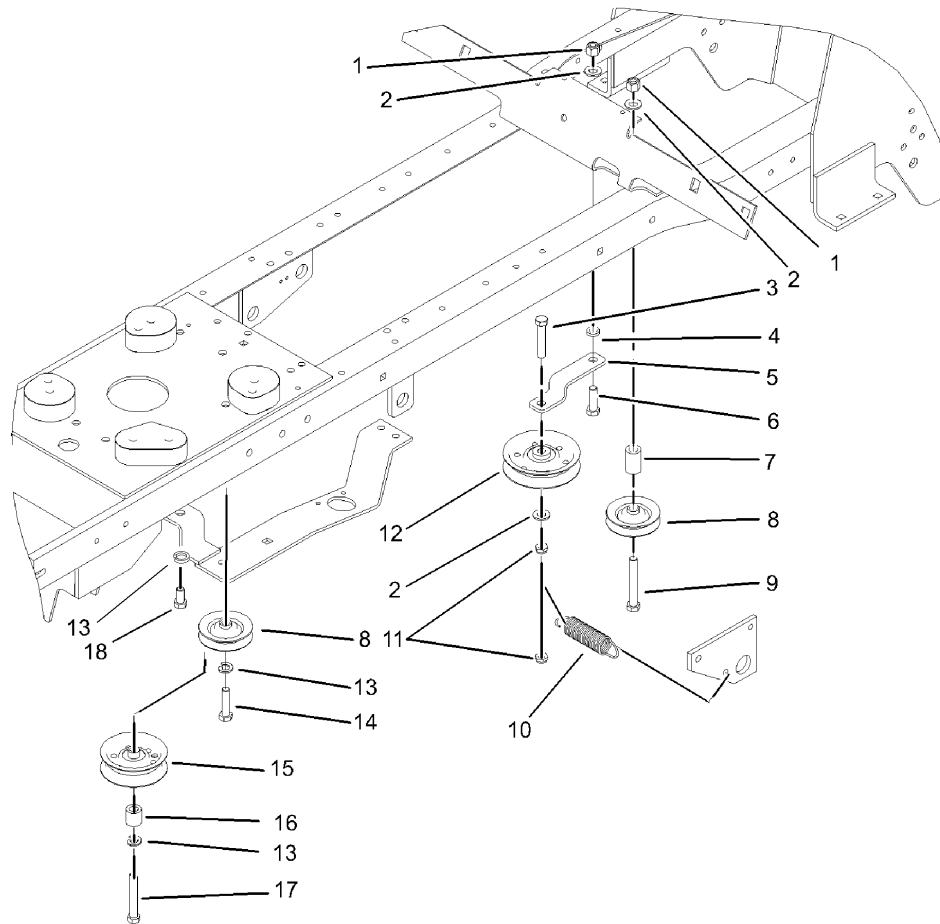
- ❶ Not illustrated
- ❷ Not serviced separately
- ❸ Obtain parts from your local Kawasaki dealer



Hood and Grill Assembly

Ref	Part No.	Qty.	Description
1	94-1980	2	Foam-Hood
2	104-5050	1	Hood-Top
3	92-7076	1	Seal-Air Inlet, Twin
4	92-7006	4	Nut
5	32105-15	8	Screw
6	92-7148	2	Foam - Sidepanel
7	107-3681	1	Side Panel-Lh, Xt New Nh
8	107-3682	1	Side Panel-Rh, New Nh
9	106-5673-03	1	Bracket-Hinge, LH
10	106-5672-03	1	Bracket-Hinge, RH
11	32144-14	2	Screw-HWH
12	107-3690	1	Decal-My19, Ls Panel (Nh)
13	107-3691	1	Decal-My19, Rs Panel (Nh)
14	32128-10	8	Nut-Lock, HHF
15	106-5676-03	2	Hinge-Hood
16	3296-29	2	Nut-Lock, NI
17	106-5680-03	1	Bracket-Hood, Hinge, LH
18	106-5682-03	1	Bracket-Hood, Hinge, RH
19		1	Asm, Nh Grille
19:1	106-5699	1	Grille-Nh Xt
19:2	106-5693	1	Lens-LH
19:3	106-5692	1	Lens-RH
22	107-7338	1	Emblem - Logo
23	3230-16	2	Screw-CARR

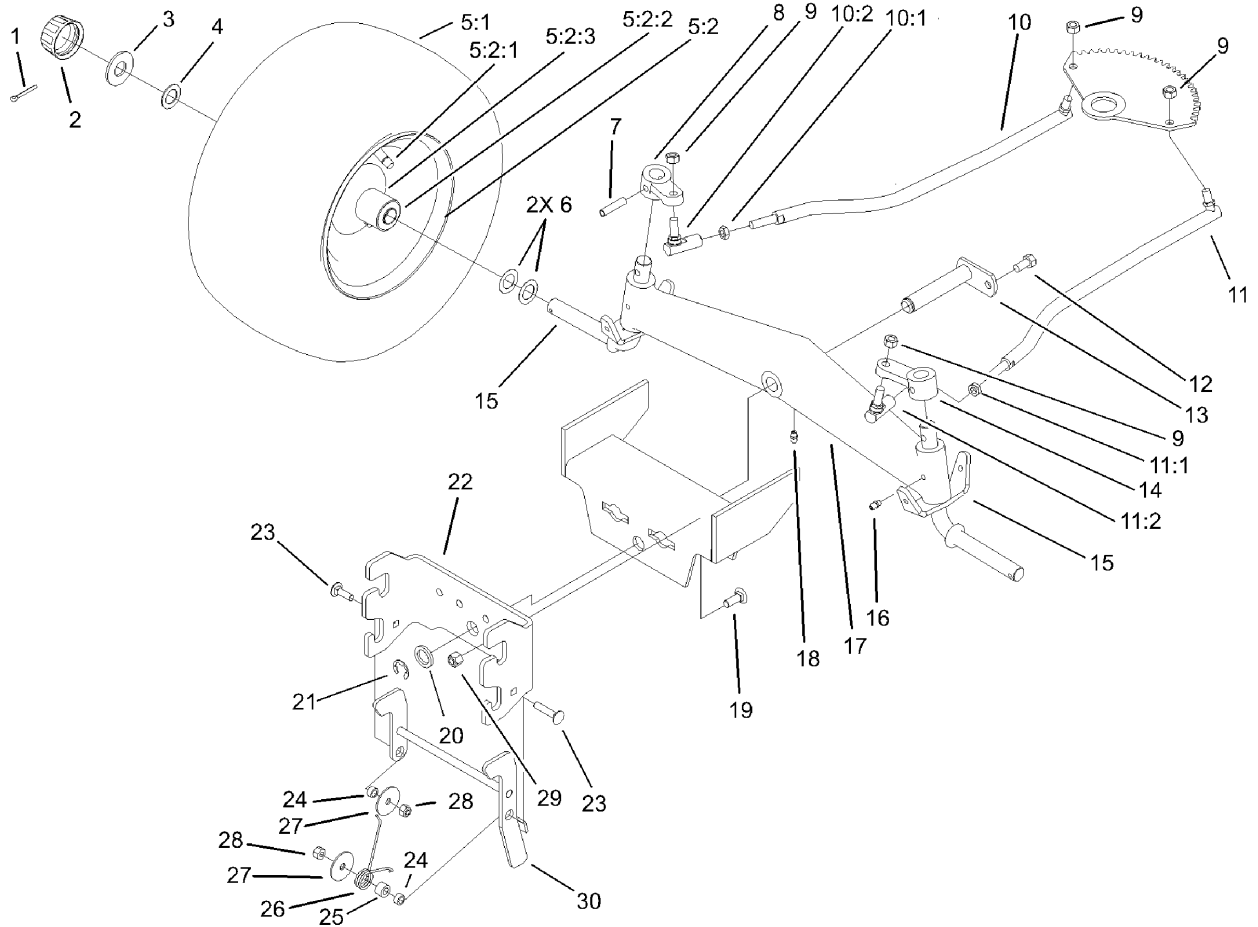
Ref	Part No.	Qty.	Description
24	106-9870	1	Reflector And Lamp ASM
24:1	116262	2	Socket-Headlight
24:2	7228	2	Bulb
24:3	106-9869	1	Reflector
25	106-9890	1	Harness-Wire, Headlights
26	614249	2	Strap-Tie
27	94-6961	2	Screw
28	92-6914-03	1	Baffle-Hood, Upper
29	46-8093	2	Screw-Plastite
30	2412-89	1	Clamp
31	98-2390	1	Clamp - R
32	321-5	4	Screw-HH



Hydro Drive Assembly

Ref	Part No.	Qty.	Description
1	3296-39	2	Nut-Lock, NI
2	3256-24	3	Washer-Flat
3	323-10	1	Screw-HH
4	106-5597	1	Spacer-Idler, Traction
5	106-5566-03	1	Bracket-Idler
6	323-7	1	Screw-HH
7	106-5565	1	Spacer-Idler
8	93-0320	2	Pulley-Idler
9	323-13	1	Screw-HH
10	106-5598	1	Spring-Extension
11	3296-59	2	Nut-Lock, NI
12	92-7101	1	Pulley-Flat Idler
13	3253-5	3	Washer-Lock
14	323-8	1	Screw-HH
15	92-7104	1	Pulley-Idler
16	106-5574	1	Spacer-Mounting, Steering
17	323-12	1	Screw-HH
18	323-4	1	Screw-HH

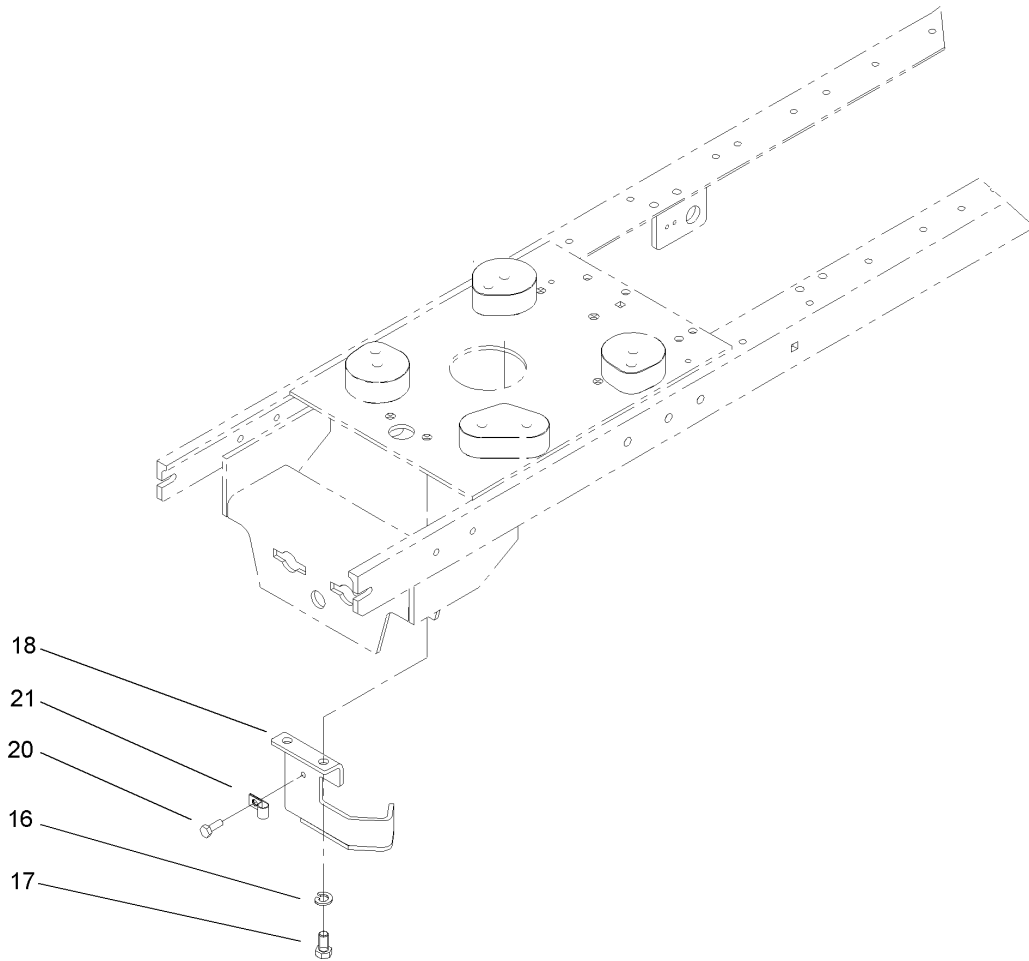
--	--	--	--



Front Axle and Front Hitch Assembly

Ref	Part No.	Qty.	Description
1	3272-17	2	Pin-Cotter
2	61-9780	2	Cap-Hub
3	28-2480	2	Washer
4	1278	2	Washer
5		2	Front Wheel And Tire ASM
5:1	99-2336	1	Tire
5:2	93-9804	1	Wheel W/zerk ASM
5:2:1	5108	1	Valve
5:2:2	110513	2	Bearing-Wheel
5:2:3	109500	1	Zerk-Grease
5:99	105293	1	Tube-Inner
6	5210	4	Washer-Shim
7	933270	2	Pin
8	78-1950-03	1	Arm-Spindle, Front
9	9150026	4	Nut
10	92-6883	1	Linkage-Steering, RH
10:1	9150854	1	Nut-Jam
10:2	78-2920	1	Ball-Joint
11	92-6884	1	Linkage-Steering, LH
11:1	9150854	1	Nut-Jam
11:2	78-2920	1	Ball-Joint
12	9267154	1	Screw
13	92-7057-03	1	Pin-Axle
14	78-1940-03	1	Arm-Spindle, Front

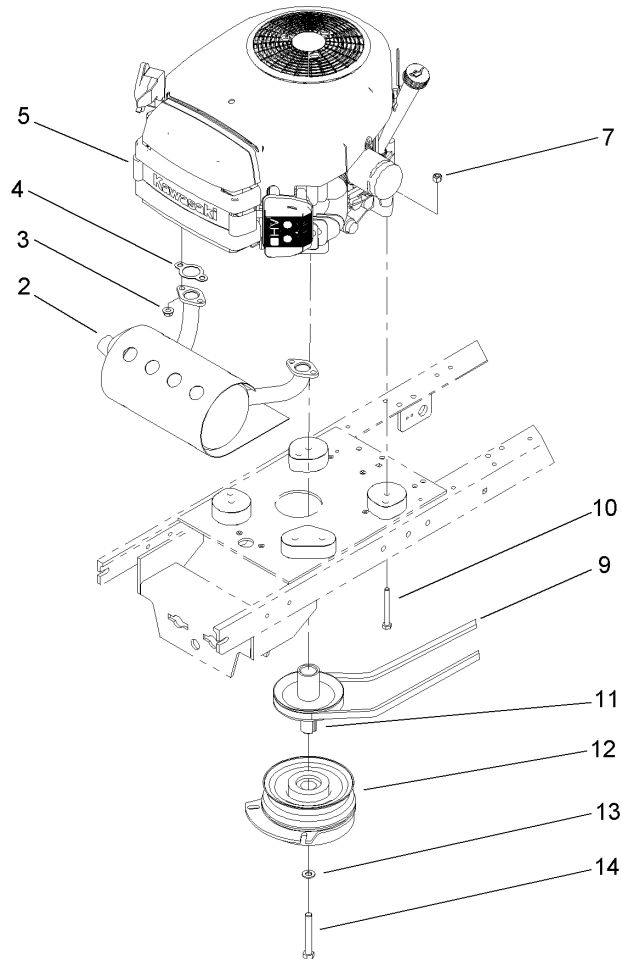
Ref	Part No.	Qty.	Description
15	78-2601-03	2	Spindle
16	302-5	2	Fitting-Grease
17	78-7960-03	1	Axle-Front
18	302-11	1	Fitting-Lube, 45 DEG
19	3231-25	4	Screw-CARR
20	9202324	1	Washer
21	5618	1	E-Ring
22	106-4044-03	1	Hitch-Front
23	3230-5	2	Screw-CARR
24	92-6998	2	Spacer-Yoke, Right
25	107-3677	1	Spacer-Tube
26	106-4048	1	Spring-Torsion
27	3256-68	2	Washer-Flat
28	3296-29	2	Nut-Lock, NI
29	3296-39	4	Nut-Lock, NI
30	106-5637-03	1	Latch ASM



PTO Stop Assembly

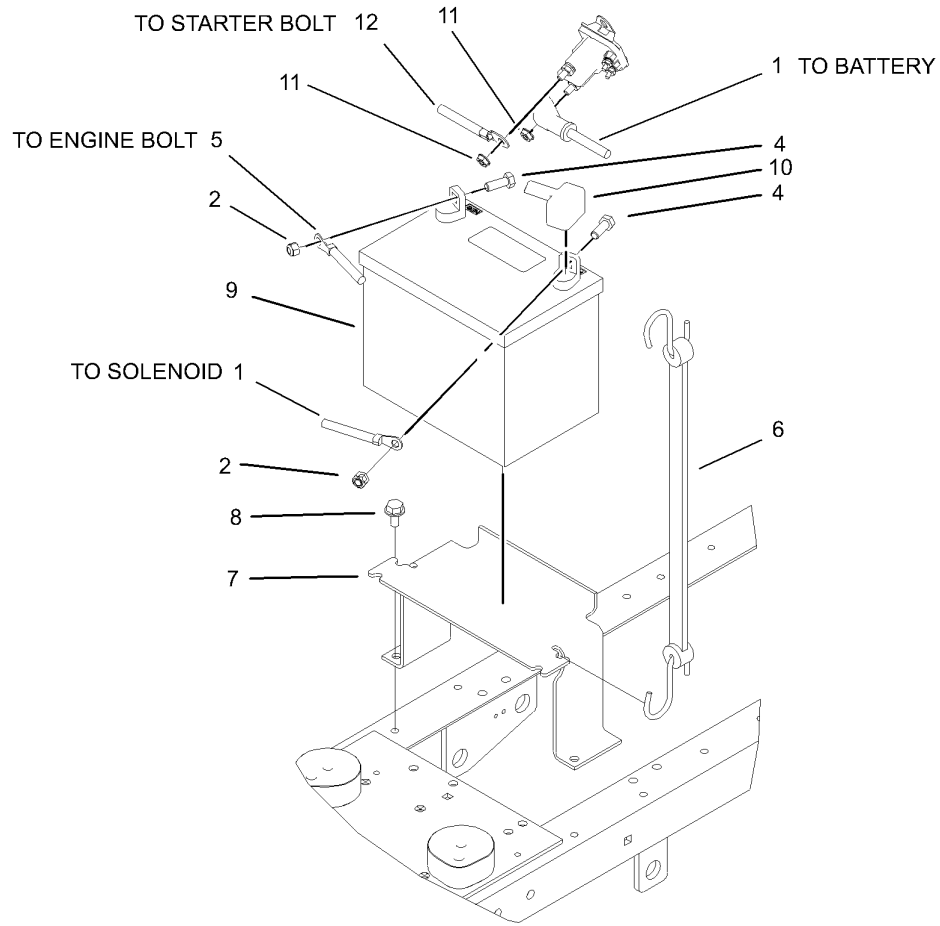
Ref	Part No.	Qty.	Description
16	3253-5	2	Washer-Lock
17	323-4	2	Screw-HH
18	107-3662-03	1	PTO Stop ASM
20	32144-4	1	Screw-HWH
21	2412-89	1	Clamp

--	--	--	--



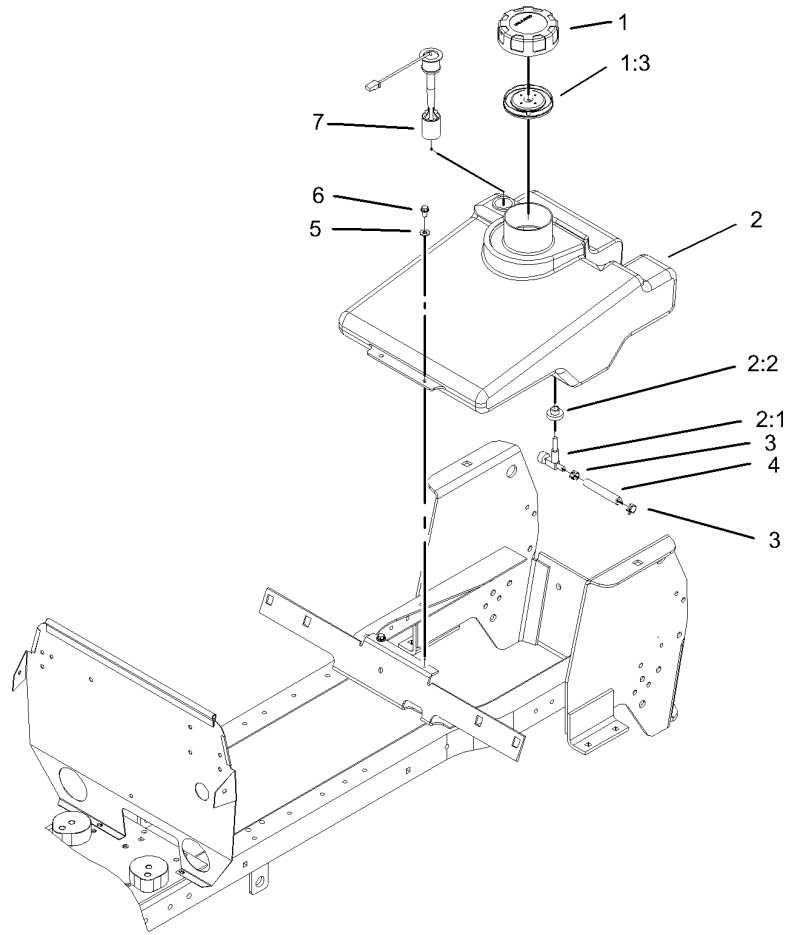
Cylinder Engine, Muffler and PTO Assembly

Ref	Part No.	Qty.	Description				
2	106-5666	1	Muffler				
3	92-6780	4	Nut-HF				
4	93-0350	2	Gasket-Exhaust				
5		1	Engine-Kawasaki Model No. Fh580v-Bs06				
7	3296-29	4	Nut-Lock, NI				
9	106-5813	1	V Belt-Traction				
10	322-13	4	Screw-HH				
11	106-5665	1	Pulley-Engine				
12	106-4099	1	Clutch				
13	3256-25	1	Washer-Flat				
14	3212-19	1	Screw-HH				



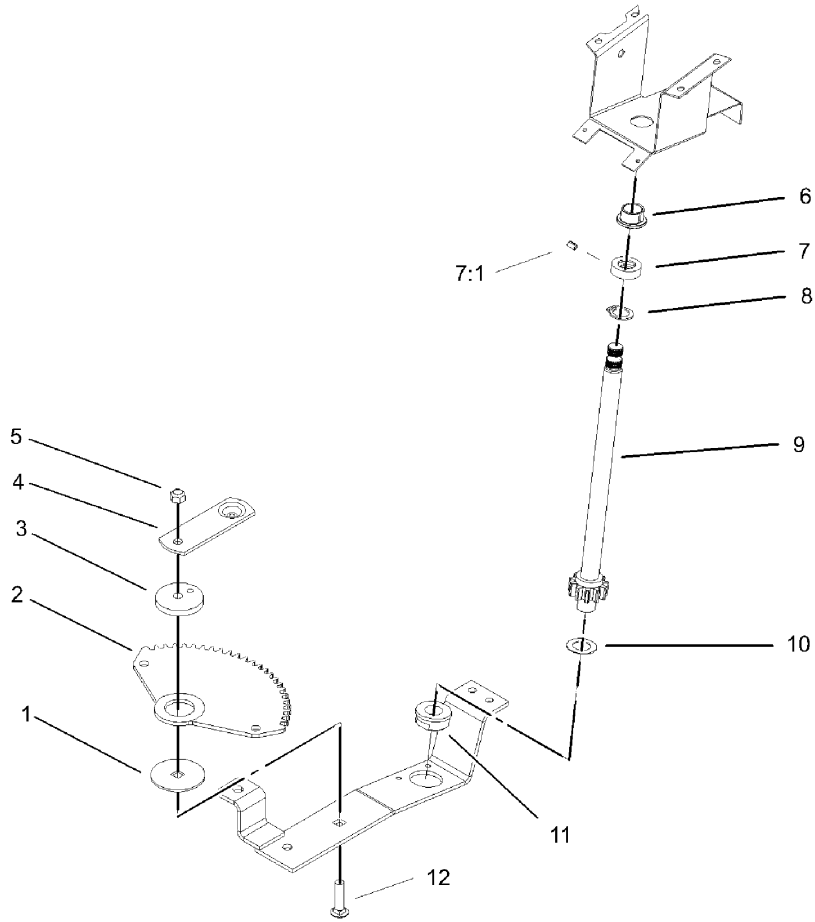
Battery Assembly

Ref	Part No.	Qty.	Description
1	106-8268	1	Cable-Battery, Red
2	3296-29	2	Nut-Lock, NI
4	322-4	2	Screw-HH
5	105-0836	1	Cable-Battery, Black
6	104-2467	1	Hold-Down, Battery
7	104-0812-03	1	Bracket-Battery
8	32144-14	2	Screw-HWH
9	104-2492	1	Battery
10	28-8080	1	Boot-Terminal
11	32149-2	2	Nut
12	106-8269	1	Cable-Battery, Red



Fuel Tank Assembly

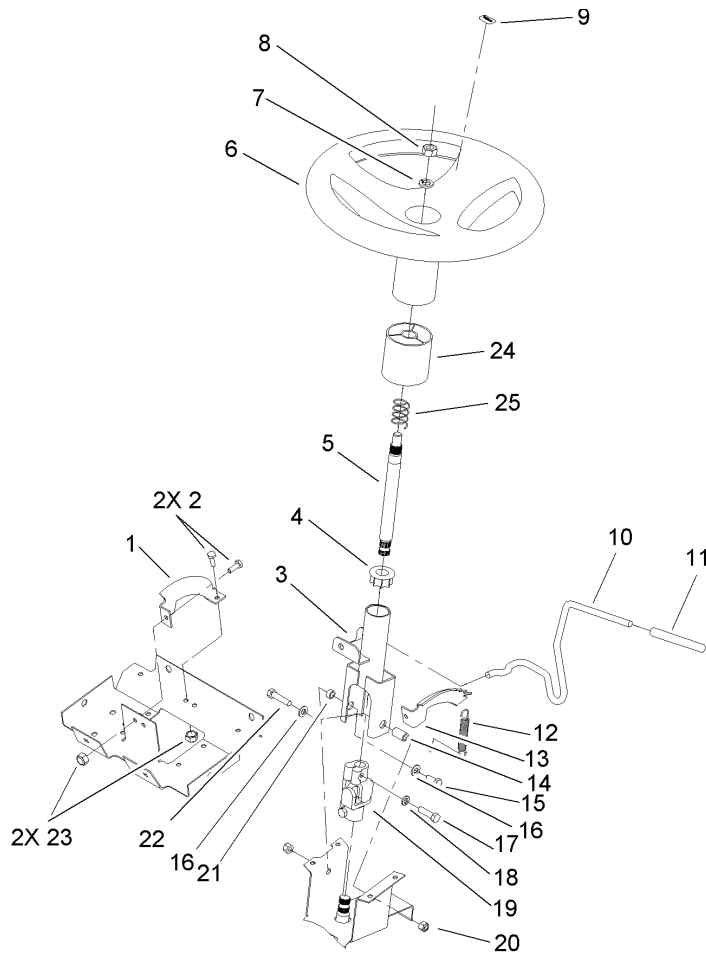
Ref	Part No.	Qty.	Description				
1	88-3980	1	Gas Cap ASM				
1:3	88-4010	1	Gasket-Cap, Gas				
2	94-6927	1	Tank - Fuel				
2:1	104048	1	Valve-Fuel				
2:2	104047	1	Bushing				
3	2412-98	2	Clamp				
4	106-9876	1	Hose-Fuel Line				
5	3256-22	2	Washer-Flat				
6	32144-4	2	Screw-HWH				
7	94-1716	1	Sensor - Low Fuel				



Lower Steering Wheel and Tilt Assembly

Ref	Part No.	Qty.	Description
1	111419	1	Washer-Bearing
2	106-8262	1	Sector-Gear
3	111418	1	Bushing
4	78-9150-03	1	Plate
5	108881	1	Nut
6	109189	1	Bearing-Flanged
7	111383	1	Collar
7:1	3245-32	1	Screw-HS
8	111646	1	Ring-Retaining
9	92-6702	1	Shaft-Steering, Lower
10	1278	1	Washer
11	110391	1	Bearing-Wheel
12	3231-4	1	Screw-CARR

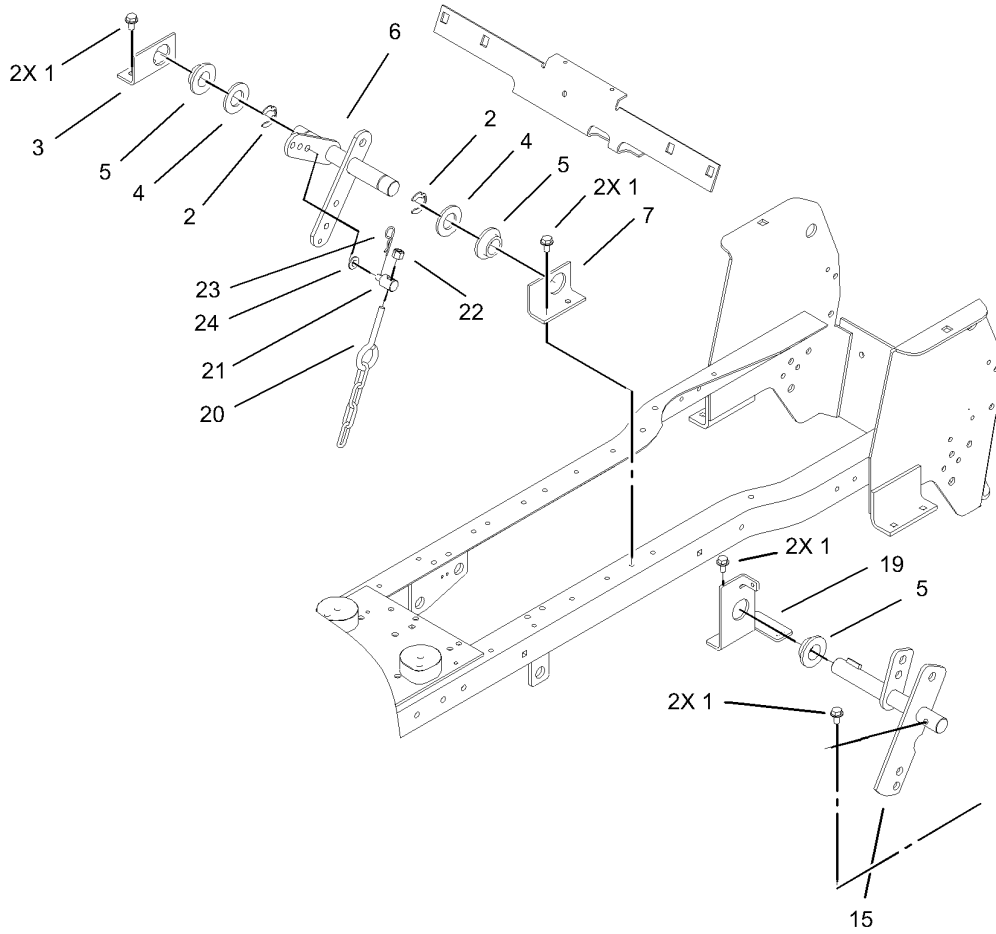
--	--



Steering Wheel and Tilt Assembly

Ref	Part No.	Qty.	Description
1	92-6777-03	1	Bracket-Support Column
2	321-4	4	Screw-HH
3	93-1148-03	1	Column
4	93-1146	1	Bushing-Upper, Steering
5	94-2873	1	Shaft - Long Steering
6	94-3502	1	Wheel-Steering
7	3253-7	1	Washer-Lock
8	3217-9	1	Nut-Hex
9	92-7059	1	Logo-New Holland
10	92-6971	1	Lever-Tilt
11	92-6798	1	Cap-Rod, Tilt
12	93-1357	1	Spring - Extension, Steering
13	92-6776	1	Bracket - Detent
14	92-6999	1	Spacer-Yoke
15	322-3	1	Screw-HH
16	3256-23	2	Washer-Flat
17	33114-030	2	Screw-HH
18	3253-4	2	Washer-Lock
19	92-6717	1	U Joint-Steering
20	3296-29	2	Nut-Lock, NI
21	92-6998	1	Spacer-Yoke, Right
22	322-17	1	Screw-HH
23	3296-8	4	Nut-Lock, NI
24	92-6983	1	Tube-Steering

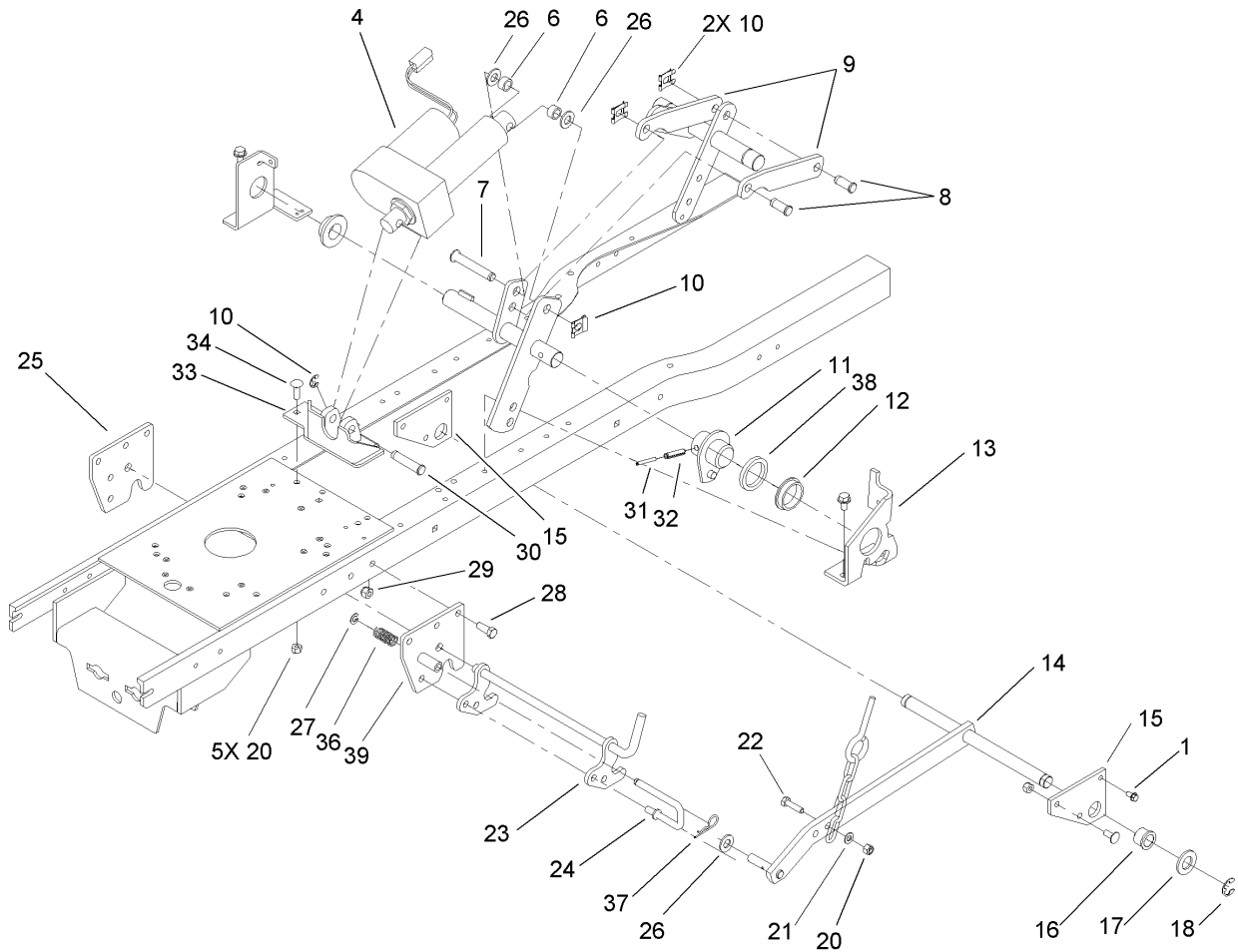
Ref	Part No.	Qty.	Description
25	92-6981	1	Spring - Compression



Manual Lift Lever Assembly

Ref	Part No.	Qty.	Description
1	32144-14	8	Screw-HWH
2	32151-91	2	Ring-Retaining
3	106-5650-03	1	Bracket-Pivot Linkage, RH
4	3256-62	2	Washer-Flat
5	106269	3	Bearing-Flange
6	106-5660-03	1	Lift Lever ASM
7	106-5652-03	1	Bracket-Pivot Linkage, LH
15	106-5656-03	1	Lift Arm ASM
19	106-4073-03	1	Bracket-Pivot, Lift
20	106522	1	Chain-Lift
21	79-2790	1	Trunnion
22	3296-39	1	Nut-Lock, NI
23	9335054	1	Pin-Hair
24	3256-24	1	Washer-Flat

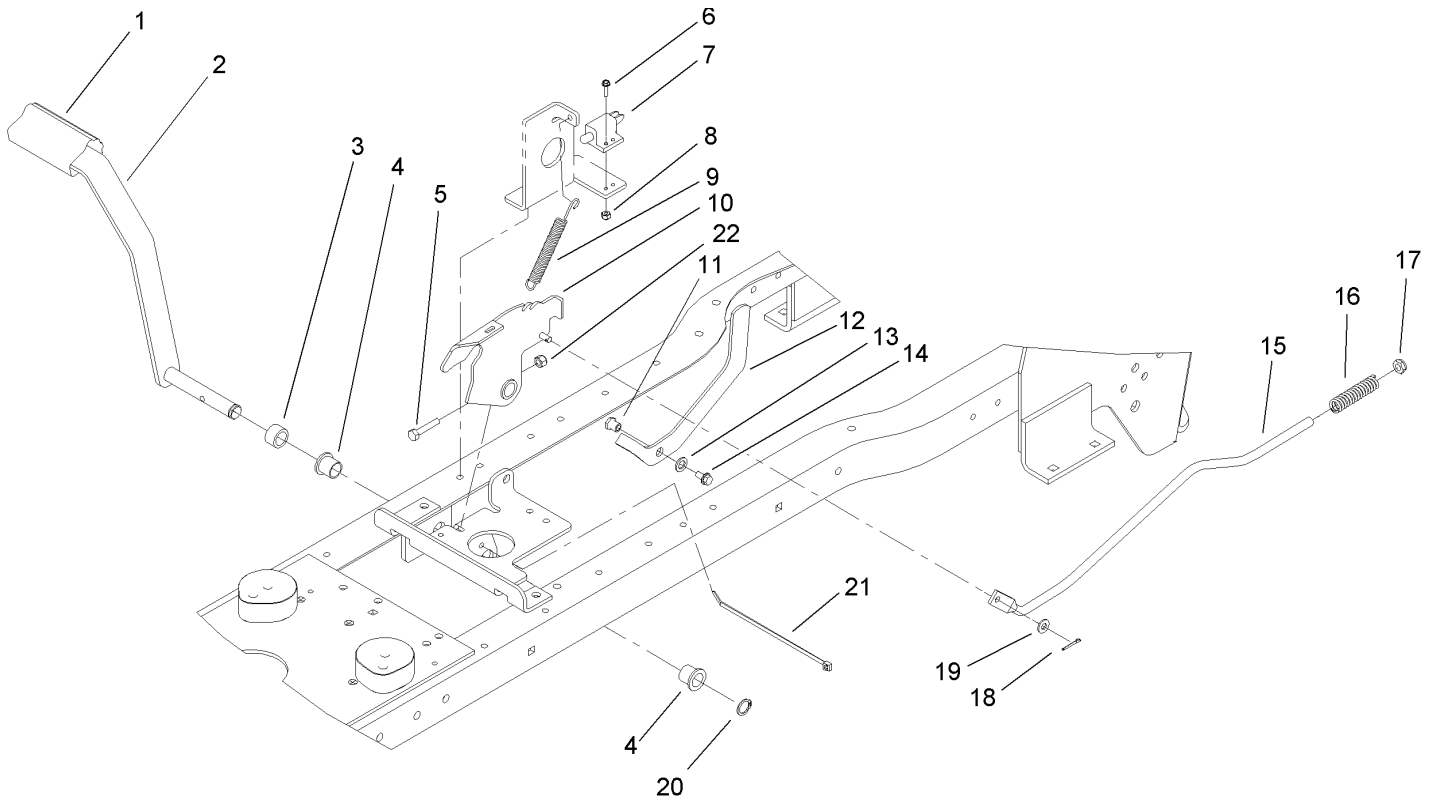
--	--	--	--



Electric Lift Assembly

Ref	Part No.	Qty.	Description
1	32144-14	2	Screw-HWH
4	106-8266	1	Actuator
6	104-0843	2	Spacer
7	104-0842	1	Pin-Clevis
8	98-1639	2	Pin-Clevis
9	106-5691-03	2	Strap-Link, Lift
10	95-4064	4	Clip-Pin
11	106-5662	1	End Cap Asm, Welded
12	92-6869	1	Bushing
13	94-4928	1	Bracket-Lift Arm
14	106-4065-03	1	Lift Bar ASM
15	106-4066	2	Plate-Lift, Rear
16	98-1636	2	Bushing-Flange
17	3256-28	2	Washer-Flat
18	32151-48	2	E-Ring
20	3296-29	6	Nut-Lock, NI
21	3256-23	1	Washer-Flat
22	322-6	1	Screw-HH
23	106-4091	1	Midhitch Latch ASM
24	107-3663	1	Rod-Catch
25	106-4060	1	Plate-Hitch
26	3256-26	3	Washer-Flat
27	105797	1	Ring-Retaining
28	323-46	6	Screw-HH

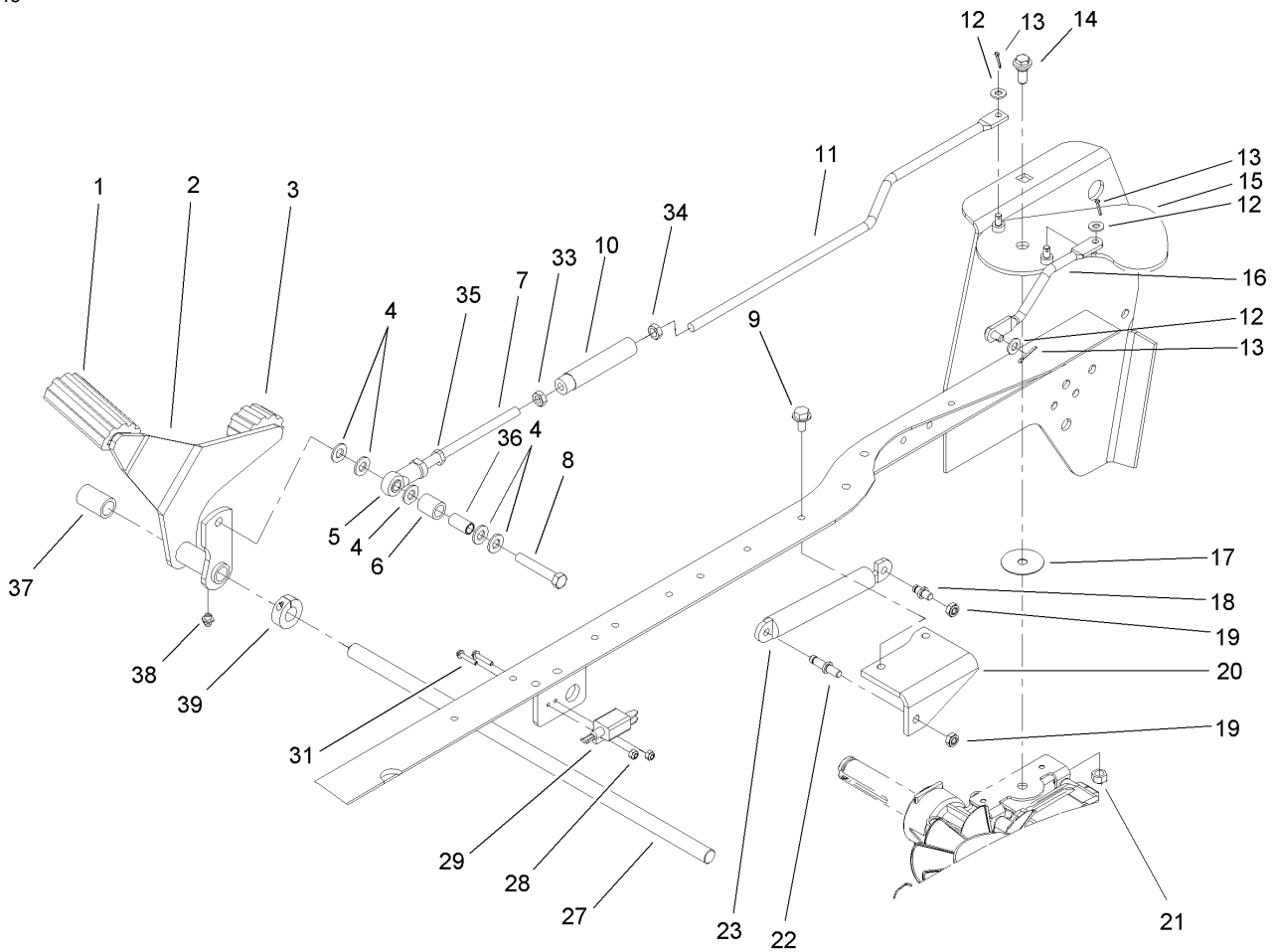
Ref	Part No.	Qty.	Description
29	3296-39	6	Nut-Lock, NI
30	104-0823	1	Pin-Clevis
31	32121-103	1	Pin-Spring
32	32121-25	1	Pin-Roll
33	104-0815-03	1	Actuator Bracket ASM
34	3230-31	5	Screw-CARR
36	101853	1	Spring-Compression
37	9335054	1	Pin-Hair
38	106-5664	1	Spacer-
39	107-3665	1	Midhitch ASM



Brake Assembly

Ref	Part No.	Qty.	Description
1	65-2920	1	Pad-Pedal
2	106-4068-03	1	Brake Pedal ASM
3	92-6982	1	Spacer-Brake
4	256-90	2	Bushing-Flange
5	321-13	1	Screw-HH
6	3290-392	2	Screw-HHF
7	86-4690	1	Switch-Interlock
8	3296-1	2	Nut-Lock, NI
9	93-0540	1	Spring-Extension
10	106-4069	1	Brake ASM
11	47-4990	1	Post-Linkage Mounting
12	106-4075	1	Lever-Brake, Parking
13	106-5592	1	Spacer-Brake, Parking
14	3234-13	1	Screw-HHF
15	106-5621	1	Rod-Brake
16	104-0837	1	Spring-Compression
17	3296-5	1	Nut-Lock, NI
18	3272-6	1	Pin-Cotter
19	3256-22	1	Washer-Flat
20	32151-62	1	Ring-Retaining
21	614249	1	Strap-Tie
22	3296-42	1	Nut-Lock, NI

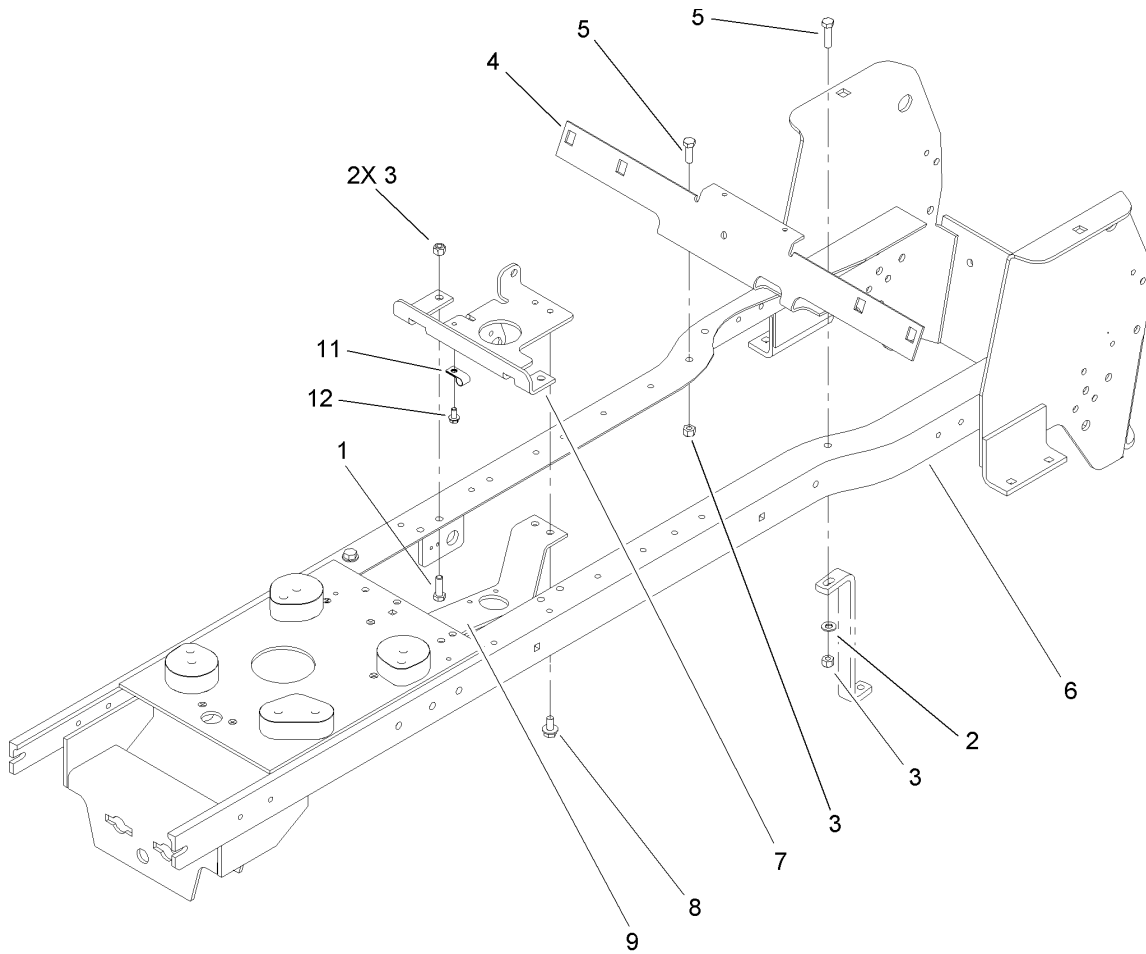
--	--	--	--



Hydro Control Assembly

Ref	Part No.	Qty.	Description
1	107-9211	1	Pad-Pedal Forward
2	107-3676-03	1	Hydro Pedal ASM
3	107-9212	1	Pad-Pedal Reverse
4	3256-24	5	Washer-Flat
5	92-7008	1	End-Rod, Female
6	106-9939	1	Spacer-Interlock
7	107-3674	1	Rod-Hydro, Front
8	323-11	1	Screw-HH
9	32144-14	1	Screw-HWH
10	95-1504	1	Turnbuckle
11	107-3679	1	Rod-Hydro, Rear
12	3256-23	3	Washer-Flat
13	3272-6	3	Pin-Cotter
14	94-7582	1	Bolt-Shoulder
15	106-5579	1	Cruise Plate ASM
16	106-5577	1	Bell Crank Rod ASM
17	94-7575	1	Spacer-Cruise
18	100-6056	1	Arm-Control, Pin Damper
19	3296-20	2	Nut-Lock, NI
20	106-8247-03	1	Bracket-Damper
21	108881	1	Nut
22	100-6057	1	Pin-Damper Bracket
23	100-8732	1	Damper-Gas
27	94-4944	1	Shaft-Pedal Pivot

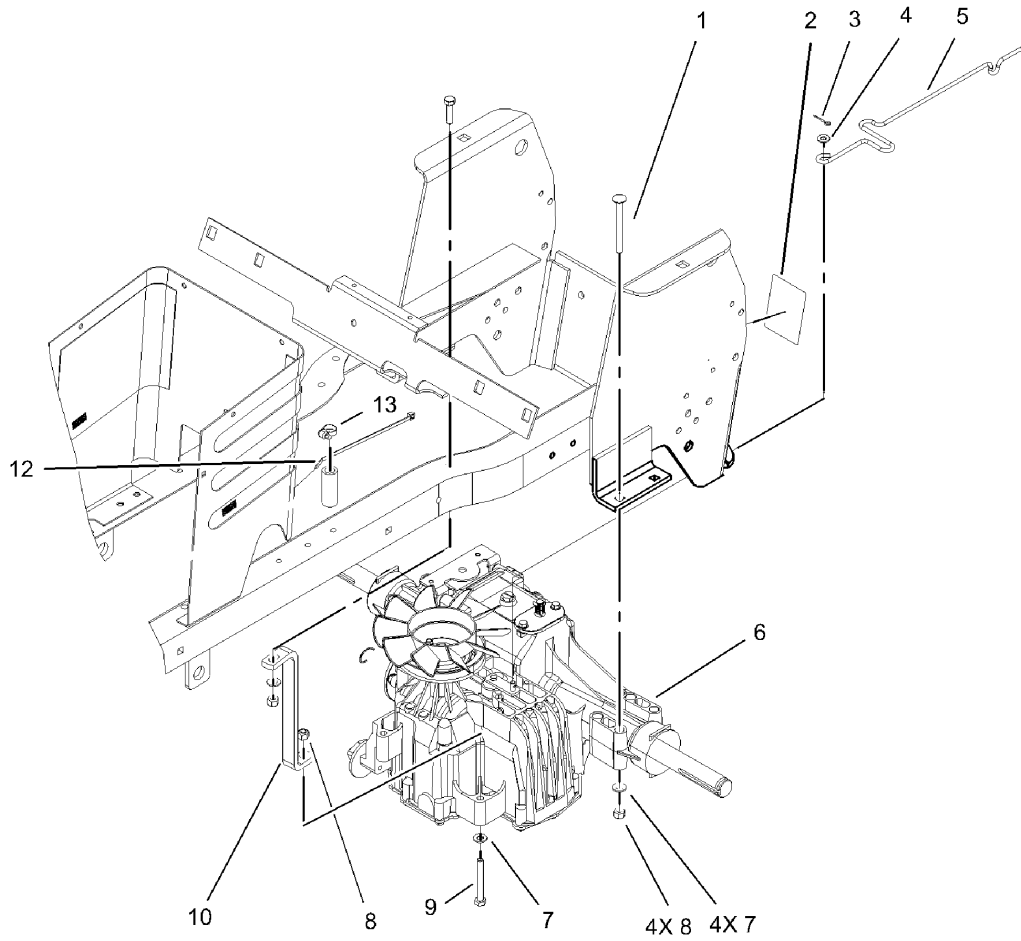
Ref	Part No.	Qty.	Description
28	3296-1	2	Nut-Lock, NI
29	106-4145	1	Switch-Adjustable
31	32105-29	2	Screw-SHWH
33	3220-3	1	Nut-Jam
34	106-8248	1	Nut-Jam, Hex LH
35	3218-3	1	Nut-Jam
36	76-1920	1	Sleeve-Bearing
37	92-6966	1	Spacer
38	302-26	1	Fitting-Grease
39	107-8453	1	Collar-Locking



Frame Assembly

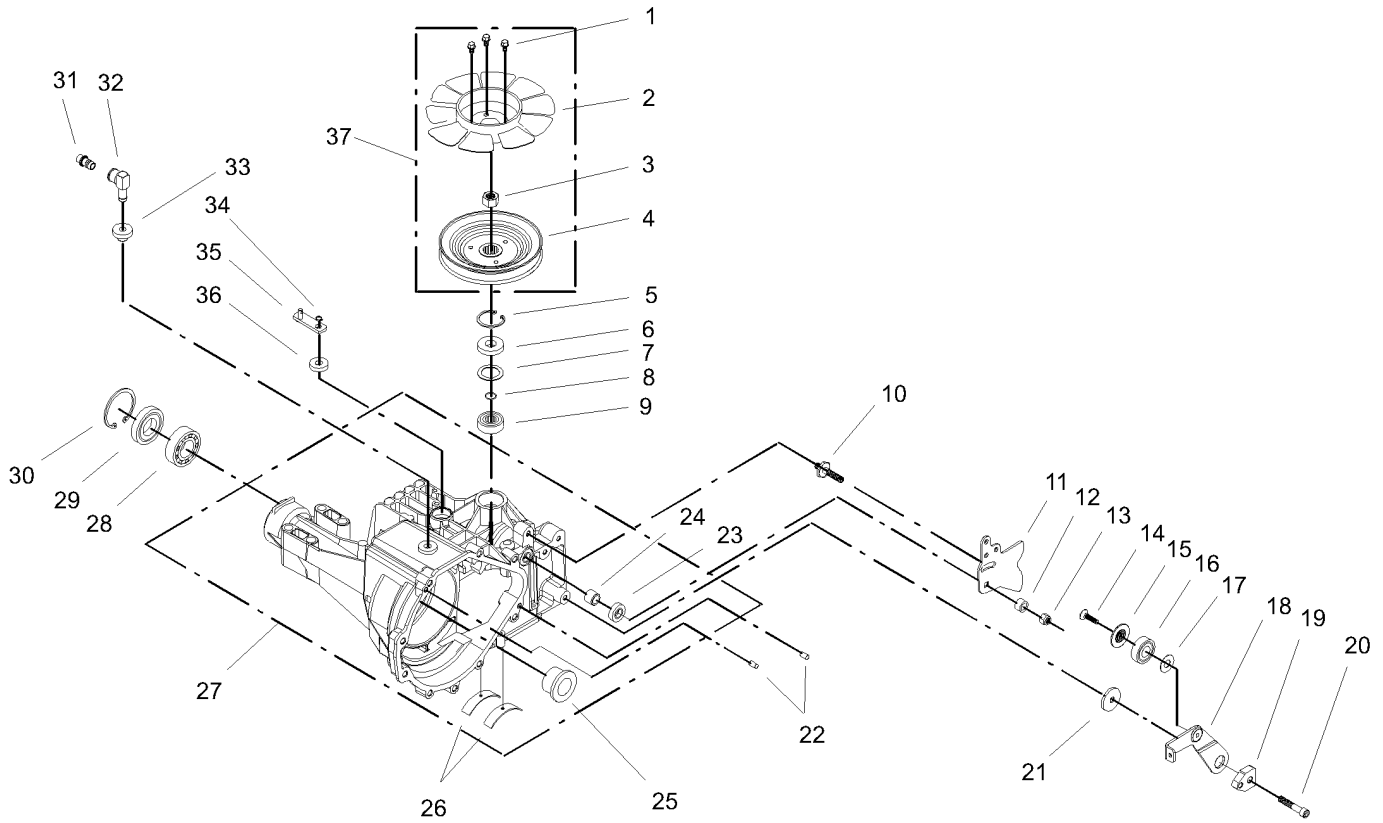
Ref	Part No.	Qty.	Description
1	322-5	2	Screw-HH
2	3256-23	1	Washer-Flat
3	3296-29	4	Nut-Lock, NI
4	106-5564-03	1	Support-Fender
5	322-6	2	Screw-HH
6	107-8451-03	1	Frame ASM
7	106-4074-03	1	Bracket-Support, Steering
8	32144-14	2	Screw-HWH
9	106-5573-03	1	Steering Bracket ASM
11	2412-89	1	Clamp
12	32144-4	1	Screw-HWH

--	--	--	--



Hydro Transaxle Assembly

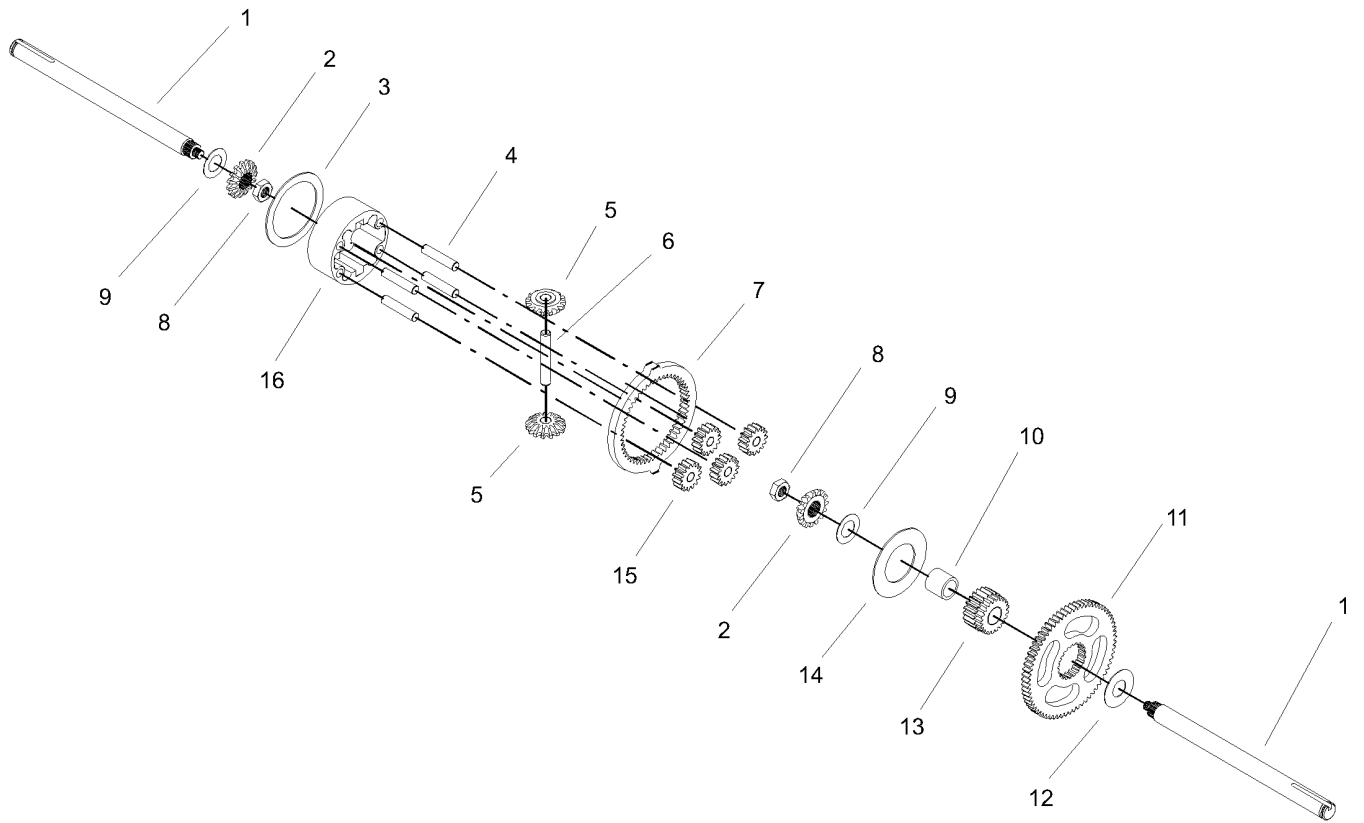
Ref	Part No.	Qty.	Description	
1	3230-11	4	Screw-CARR	
2	92-6726	1	Decal - Hydro Valve	
3	3272-2	1	Pin-Cotter	
4	3256-22	1	Washer-Flat	
5	104-5037	1	Rod-Bypass	
6	104-4310	1	Transaxle-Hydrostatic	
7	3256-23	5	Washer-Flat	
8	3296-29	5	Nut-Lock, NI	
9	322-11	1	Screw-HH	
10	100-1343-03	1	Strap-Torque	
12	614249	1	Strap-Tie	
13	2412-119	1	Clamp-Worm	



Housing and Fan Assembly Transaxle Assembly No. 104-4310

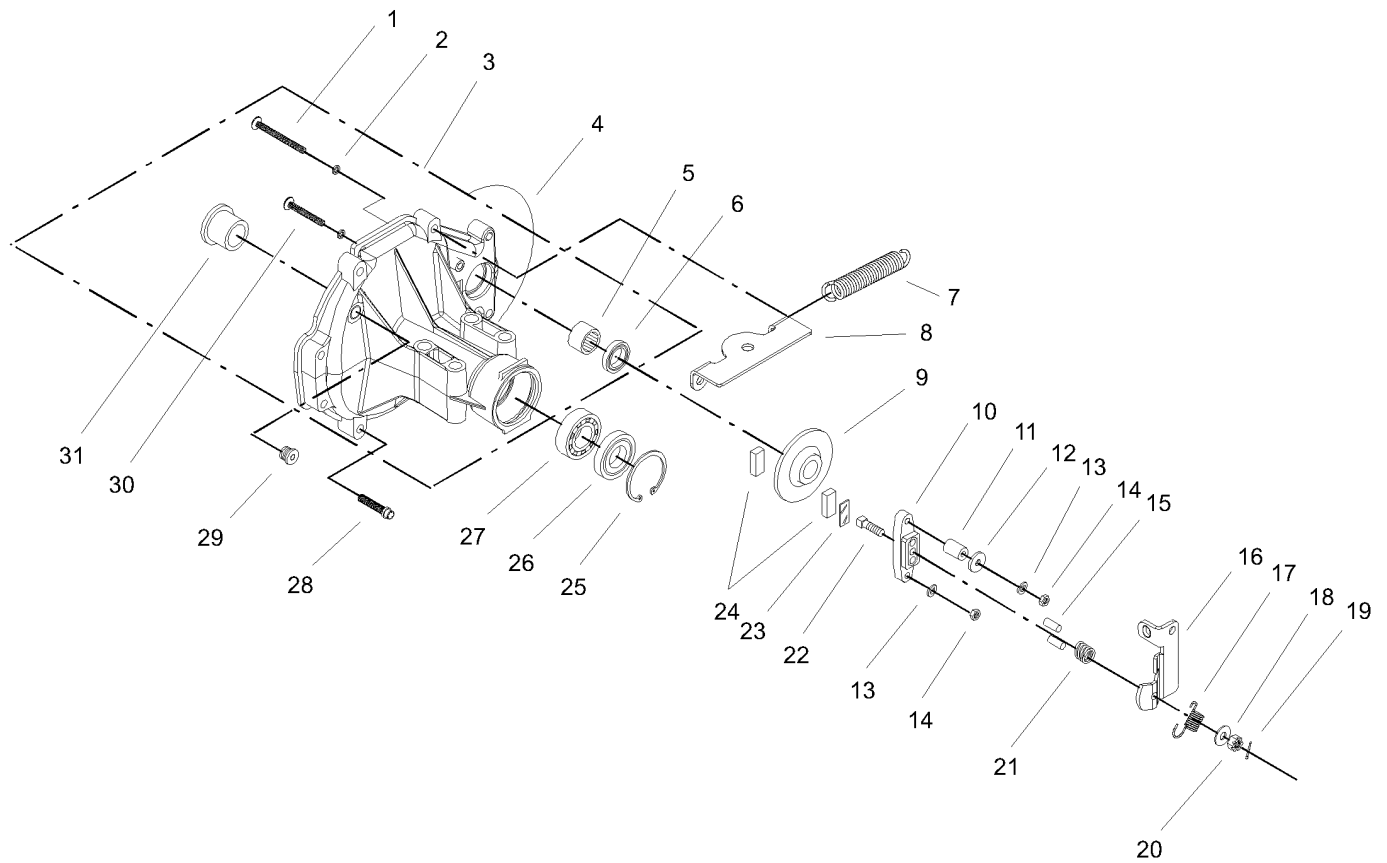
Ref	Part No.	Qty.	Description
1	104-2164	3	Screw
2	104-2162	1	Fan
3	104-2168	1	Nut-Hex
4	104-2161	1	Pulley
5	94-1903	1	Ring-Retaining
6	92-6543	1	Seal-Lip
7	104-2104	1	Spacer
8	94-1902	1	Ring-Wire, Retaining
9	94-1904	1	Bearing-Shaft, Ball
10	104-2116	1	Stud
11	100-6093	1	Arm-Control
12	104-2163	1	Spacer-Trunnion
13	104-2159	1	Nut-Hex Lock
14	104-2158	1	Screw-Countersunk
15	104-2157	1	Spacer-Locating
16	104-2156	1	Bearing
17	94-1933	1	Washer
18	104-2114	1	Arm-Return
19	104-2119	1	Puck-Adjusting
20	104-2155	1	Screw
21	104-2154	1	Washer
22	104-2170	2	Pin
23	92-6544	1	Seal-Lip
24	104-2113	1	Bushing-Trunnion

Ref	Part No.	Qty.	Description
25	104-2139	2	Bearing-Flange
26	94-1905	2	Bearing-Cradle
27	104-2101	1	Main Housing ASM
28	104-2143	2	Bearing-Ball
29	104-2144	2	Seal
30	104-2169	2	Ring-Retaining
31	104-2167	1	Vent Cap ASM
32	104-2166	1	Fitting
33	104-2165	1	Bushing-Rubber
34	936109	1	Ring-Retaining
35	104-2117	1	Arm-Bypass
36	92-6545	1	Seal-Lip
37	104-2190	1	Fan Pulley Kit



Differential Gear Assembly Transaxle Assembly No. 104-4310

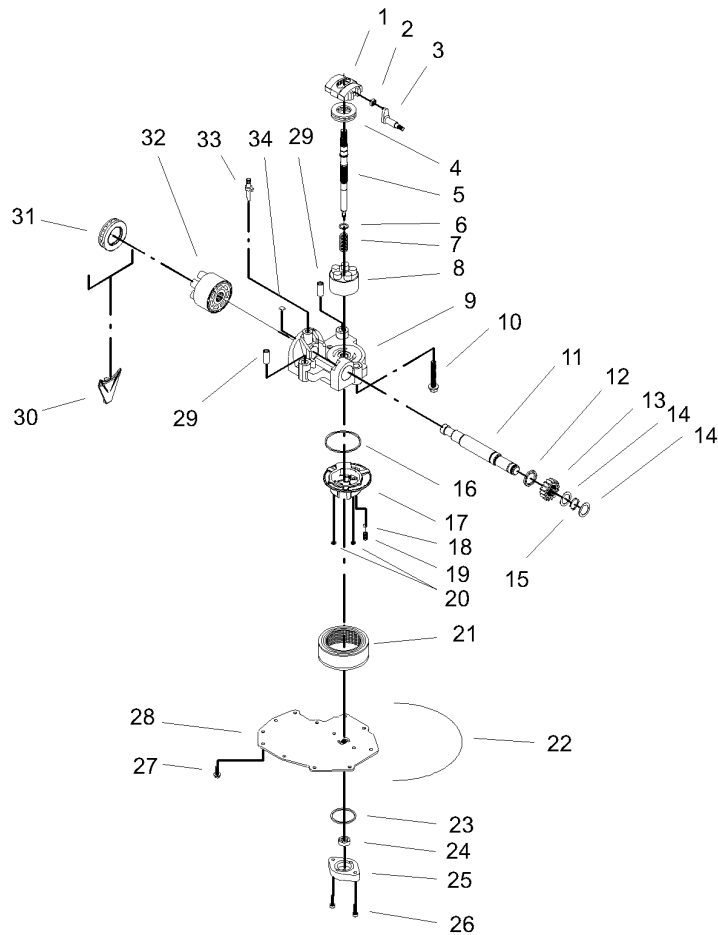
Ref	Part No.	Qty.	Description
1	104-2145	2	Shaft-Axle
2	104-2135	2	Gear-Miter
3	104-2138	1	Plate-Thrust
4	104-2128	4	Pin-Carrier
5	104-2136	2	Gear-Miter
6	104-2137	1	Shaft
7	104-2133	1	Gear-Ring, 51t
8	104-2142	2	Nut-HJ
9	104-2140	2	Washer
10	104-2160	1	Bearing-Sleeve
11	104-2130	1	Gear-Spur, 67t
12	104-2141	1	Washer
13	104-2131	1	Gear-Sun, 21t
14	104-2132	1	Plate-Thrust, Planet
15	104-2129	4	Gear-Planet, 15t
16	104-2134	1	Carrier-Planetary



Brake Assembly Transaxle Assembly No. 104-4310

Ref	Part No.	Qty.	Description
1	104-2182	1	Bolt
2	104-2191	4	O-Ring
3	104-2102	1	RH Housing ASM
4	104-2147	1	Sealant
5	104-2149	1	Bearing-Needle
6	104-2152	1	Seal-Lip
7	104-2118	1	Spring-Return
8	100-1349	1	Bracket-Bell Crank
9	104-2153	1	Disk-Brake
10	104-2173	1	Yoke-Brake
11	104-2180	1	Spacer
12	104-2183	1	Washer
13	104-2177	2	Washer-Lock
14	104-2178	2	Nut
15	104-2176	2	Pin-Brake
16	104-0841	1	Arm-Brake
17	104-2184	1	Spring-Arm, Brake
18	104-2146	1	Washer
19	104-2179	1	Pin-Cotter
20	93-3807	1	Nut-Castle
21	104-2188	1	Spring-Brake, Anti Drag
22	104-2174	1	Bolt-SQH
23	104-2181	1	Puck-Plate
24	104-2171	2	Puck-Brake

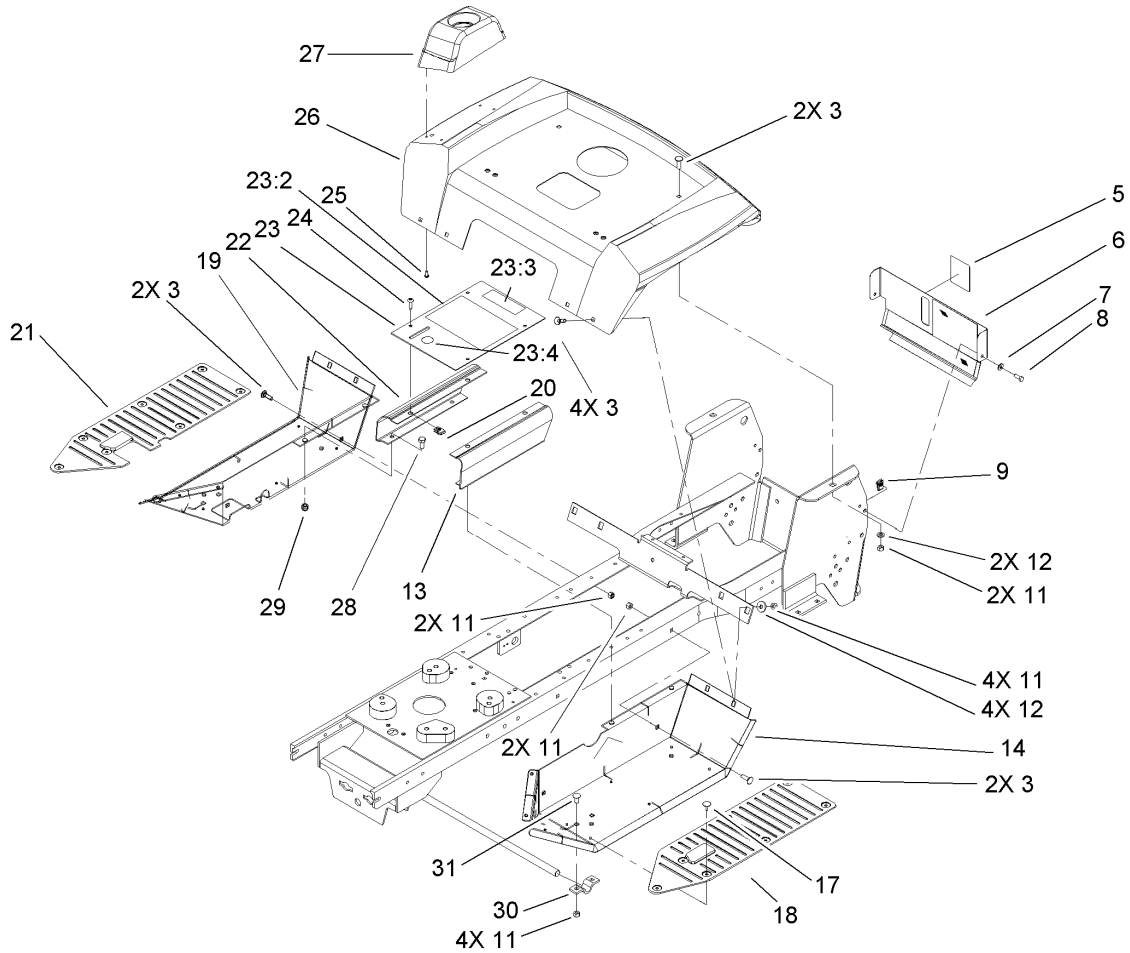
Ref	Part No.	Qty.	Description
25	104-2169	2	Ring-Retaining
26	104-2144	2	Seal
27	104-2143	2	Bearing-Ball
28	104-2148	9	Screw-TTH
29	104-2189	1	Plug-Thread, Straight
30	104-2172	1	Bolt
31	104-2139	2	Bearing-Flange



Cylinder Block Assembly Transaxle Assembly No. 104-4310

Ref	Part No.	Qty.	Description
1	94-1907	1	Swashplate-Variable
2	94-1910	1	Guide-Slot
3	104-2112	1	Trunnion ASM
4	94-6922	1	Bearing-Thrust
5	104-2105	1	Shaft-Input
6	94-1937	1	Washer-Block, Thrust
7	94-1936	1	Spring-Block
8	104-2106	1	Cylinder Block ASM
9	104-2103	1	Center Section Kit
10	94-6926	3	Bolt
11	104-2107	1	Shaft-Output
12	104-2109	1	Spacer
13	104-2110	1	Gear-Pinion, 16t
14	104-2150	2	Washer
15	104-2151	1	Ring-Retaining
16	104-2185	1	O-Ring
17	104-2156	1	Bearing
18	104-2187	1	Ball
19	104-2186	1	Spring-Relief
20	104-2191	4	O-Ring
21	104-2125	1	Filter
22	104-2147	1	Sealant
23	104-2123	1	O-Ring
24	104-2122	1	Gerotor ASM

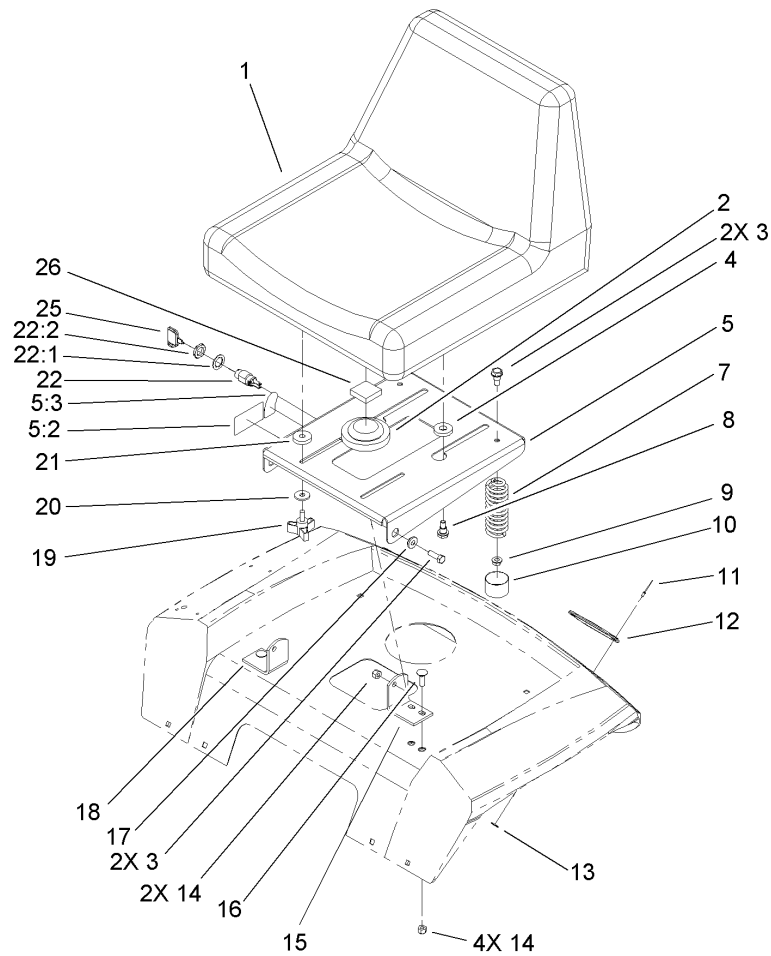
Ref	Part No.	Qty.	Description
25	104-2124	1	Cover-Gerotor
26	104-2111	2	Capscrew
27	104-2120	11	Screw
28	104-2121	1	Cover-Lower
29	94-1927	2	Pin
30	104-2127	1	Retainer-Motor Bearing
31	94-6923	1	Bearing-Thrust
32	94-1913	1	Cylinder Block ASM
33	94-1914	1	Actuator-Bypass
34	94-6925	1	Plate-Bypass



Fender and Footrest Assembly

Ref	Part No.	Qty.	Description
3	3230-31	10	Screw-CARR
5	92-6727	1	Decal-Fuel Level
6	99-6765-03	1	Rear Panel ASM
7	3256-22	2	Washer-Flat
8	321-4	2	Screw-HH
9	609900	2	Nut-Speed
11	3296-29	14	Nut-Lock, NI
12	94-2869	6	Washer
13	106-5594-04	1	Channel-Saddle, LH
14	94-1711-04	1	Footrest-LH Hydro
17	3290-479	14	Fastener-Panel
18	92-6688	1	Footpad-LH
19	92-6747-04	1	Footrest-RH
20	107069	4	Clip
21	92-6687	1	Footpad-RH
22	106-5593-04	1	Channel-Saddle, RH
23	107-9203	1	Plate-Saddle, Nh Decal ASM
23:2	93-0302	1	Decal - Danger
23:3	107-9222	1	Decal-Instruction, Nh
23:4	107-8495	1	Decal-Parking Brake, New Holland (Ce)
24	92-7020	4	Screw-HH
25	32144-20	4	Screw-Thread Forming
26	106-5583-04	1	Fender ASM

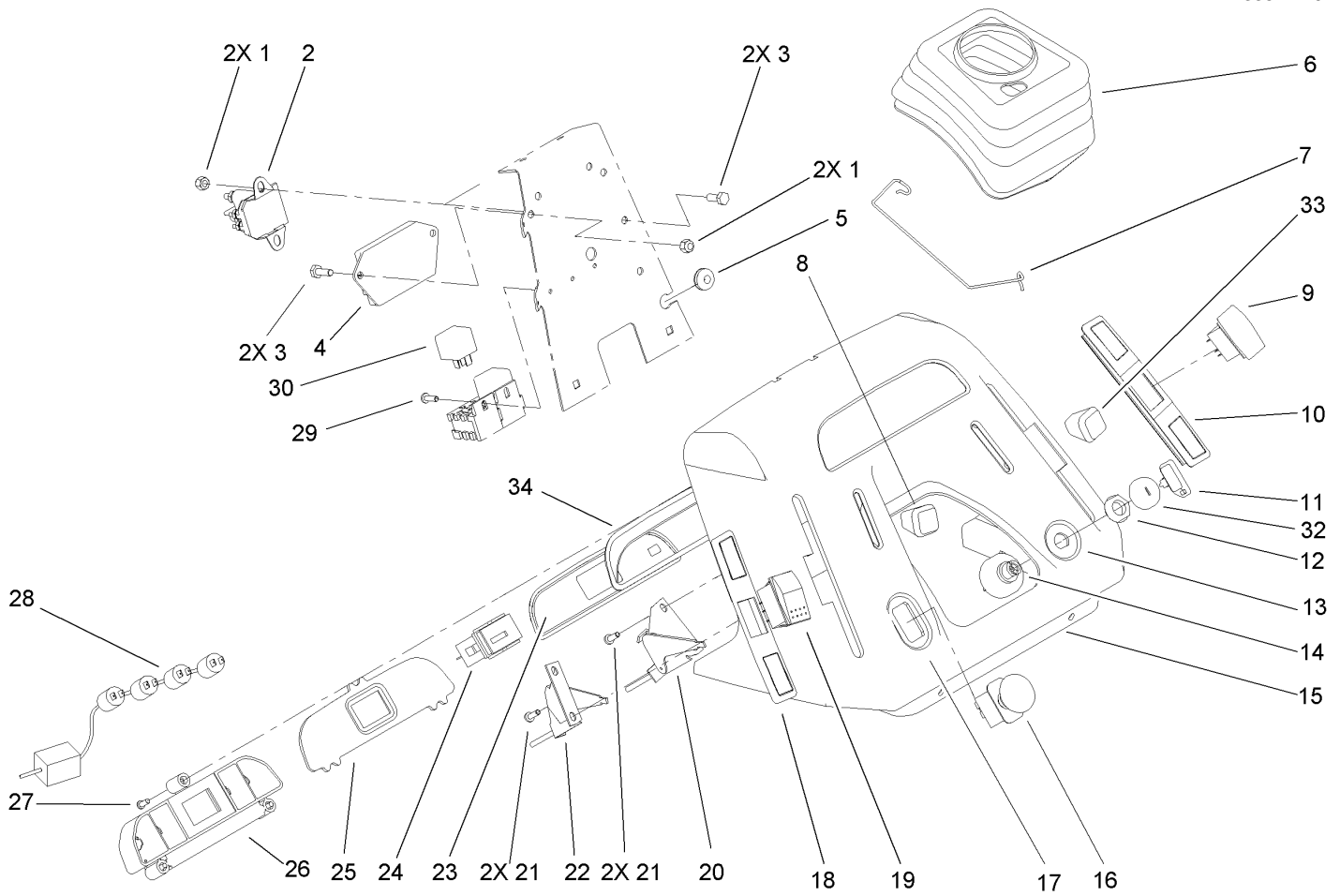
Ref	Part No.	Qty.	Description
27	104-0838	1	Holder-Cup
28	323-4	4	Screw-HH
29	3296-39	4	Nut-Lock, NI
30	106288	2	Clamp
31	3230-1	4	Bolt-CARR



Seat Assembly

Ref	Part No.	Qty.	Description
1	107-9202	1	Seat-High Back
2	100-3524	1	Switch-Seat
3	322-5	4	Screw-HH
4	92-6750	2	Spacer-Nylon
5	107-9227	1	Seat Support Decal Asm, Nh
5:2	99-2985	1	Danger-Decal
5:3	99-8894	1	Decal-Nmir Switch
7	92-7054	2	Spring-Compression
8	92-6986	2	Bolt-Shoulder
9	32128-25	2	Nut-HF
10	701178	2	Cap-Protector
11	3290-282	4	Rivet-Pop
12	106557	2	Reflector-Stick On
13	3256-49	4	Washer-Flat
14	3296-29	6	Nut-Lock, NI
15	79-0950-03	1	Bracket-Pivot, RH
16	3230-31	4	Screw-CARR
17	105503	2	Bushing
18	79-0970-03	1	Bracket-Pivot LH
19	700806	2	Knob
20	94-2869	2	Washer
21	109989	2	Spacer-Nylon
22	46-5780	1	Switch-Starter
22:1	3254-5	1	Washer-Tooth

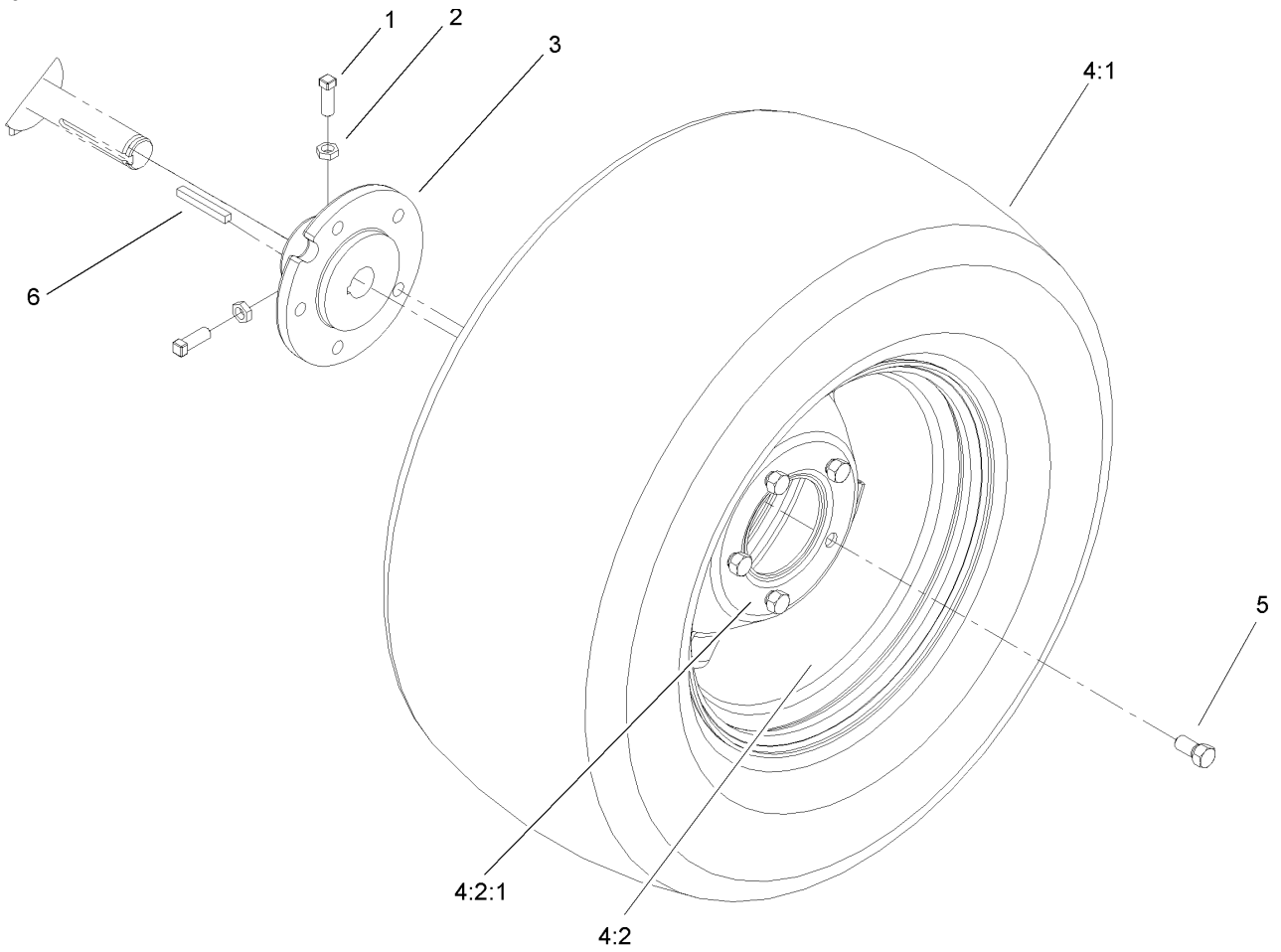
Ref	Part No.	Qty.	Description
22:2	218-461	1	Nut-HH
25	700918	1	Key
26	104-2488	1	Foam-Switch, Seat



Dash Assembly

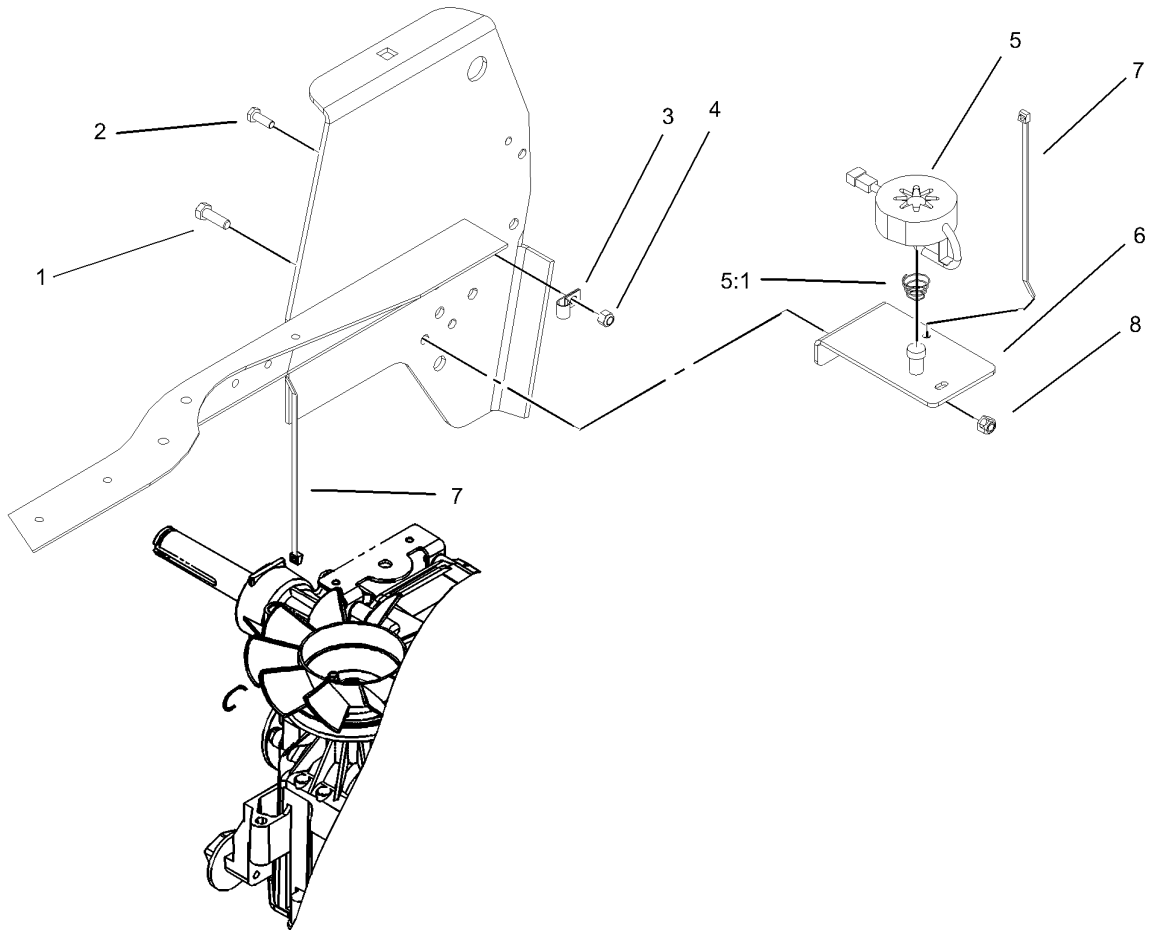
Ref	Part No.	Qty.	Description
1	3296-42	4	Nut-Lock, NI
2	106-8245	1	Solenoid
3	321-4	4	Screw-HH
4	106-8225	1	Module-Nmir, Low Battery
5	237-141	1	Grommet-Rubber
6	92-6680	1	Boot-Steering
7	94-2966	1	Clip-Boot
8	66-0120	1	Knob
9	93-0527	1	Switch-Cruise
10	93-0516	1	Cover - RH Slot
11	700918	1	Key
12	700919	1	Nut
13	92-6739	1	Decal-Throt/ign
14	92-6785	1	Switch-Ignition
15	94-1894	1	Dash
16	93-9999	1	Switch - PTO
17	92-6738	1	Decal-Choke/pto
18	94-1710	1	Cover-Lift
19	94-1742	1	Switch
20	92-6784	1	Control-Throttle Twin
21	32144-32	4	Screw
22	106-9872	1	Choke Control ASM
23	107-9217	1	Decal-Dash Lens Nh
24	94-4208	1	Hourmeter

Ref	Part No.	Qty.	Description
25	92-6705	1	Lens-Dash
26	94-1714	1	Housing - Light
27	94-6961	3	Screw
28	106-8249	1	Harness-Six Light
29	32144-8	2	Screw-HH
30	98-7249	3	Relay
32	700960	1	Bezel
33	92-6755	1	Knob - Throttle
34	92-6915	1	Shade - Lens



Rear Wheel Assembly

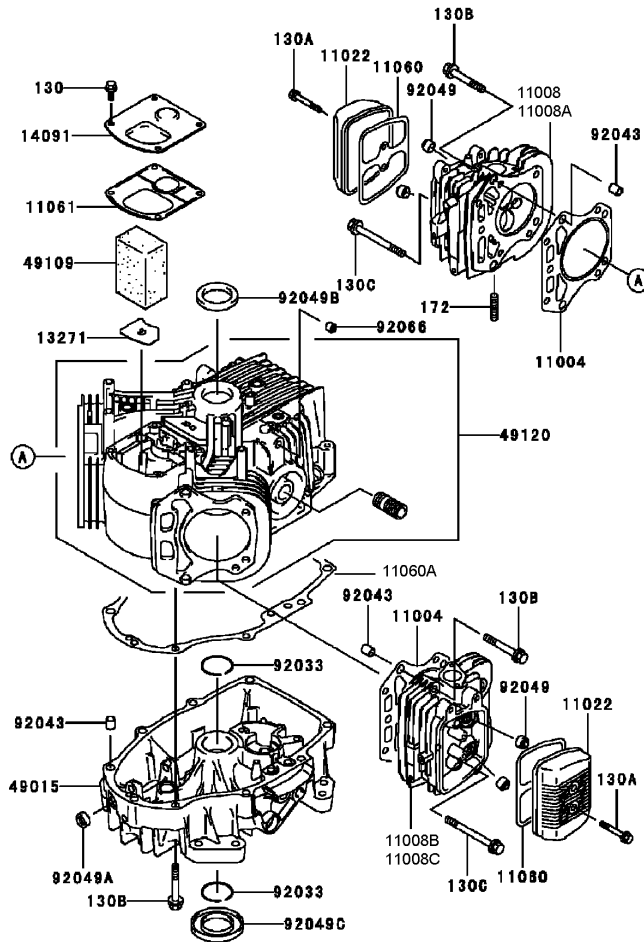
Ref	Part No.	Qty.	Description
1	3243-5	4	Screw-Set
2	3218-3	4	Nut-Jam
3	93-3659-03	2	Hub-Wheel
① ② 4		2	Rear Wheel & Tire ASM
4:1	99-2334	1	Tire
4:2	92-6757	1	Rim ASM
4:2:1	5108	1	Valve
① 4:99	7007	1	Tube-Inner
5	83-2720	10	Bolt-Lug
6	5-1336	2	Key-Square



Cruise Control Assembly

Ref	Part No.	Qty.	Description
1	322-5	2	Screw-HH
2	321-4	1	Screw-HH
3	2412-89	1	Clamp
4	3296-42	1	Nut-Lock, NI
5	99-8090	1	Magnet ASM
5:1	93-6601	1	Spring-Compression
6	106-5616-03	1	Bracket-Cruise
7	614249	2	Strap-Tie
8	3296-29	2	Nut-Lock, NI

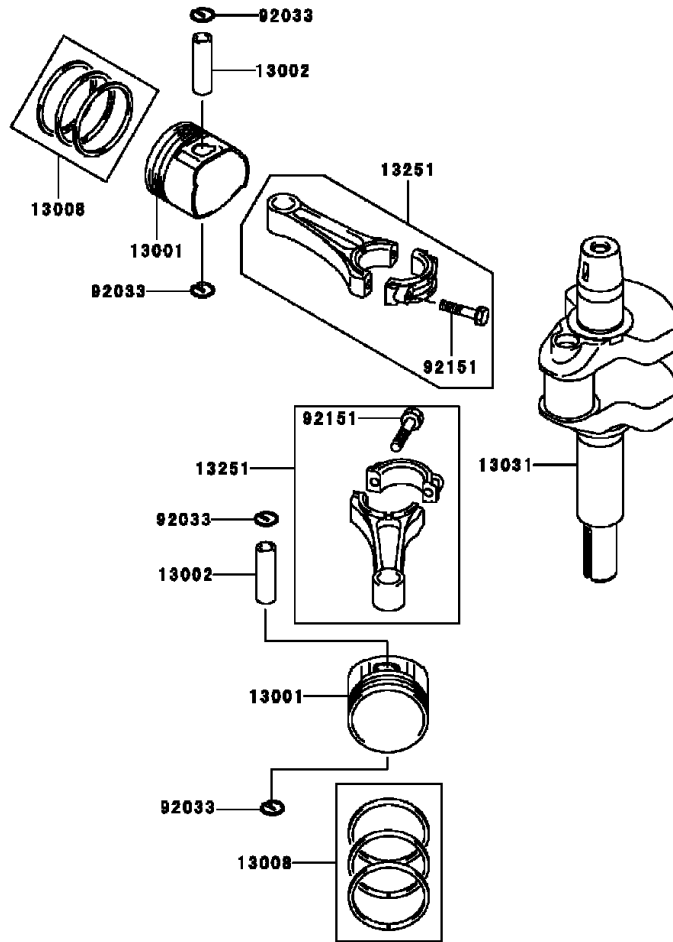
--	--	--	--



Cylinder/Crankcase Assembly Kawasaki Model No. FH50V-BS06

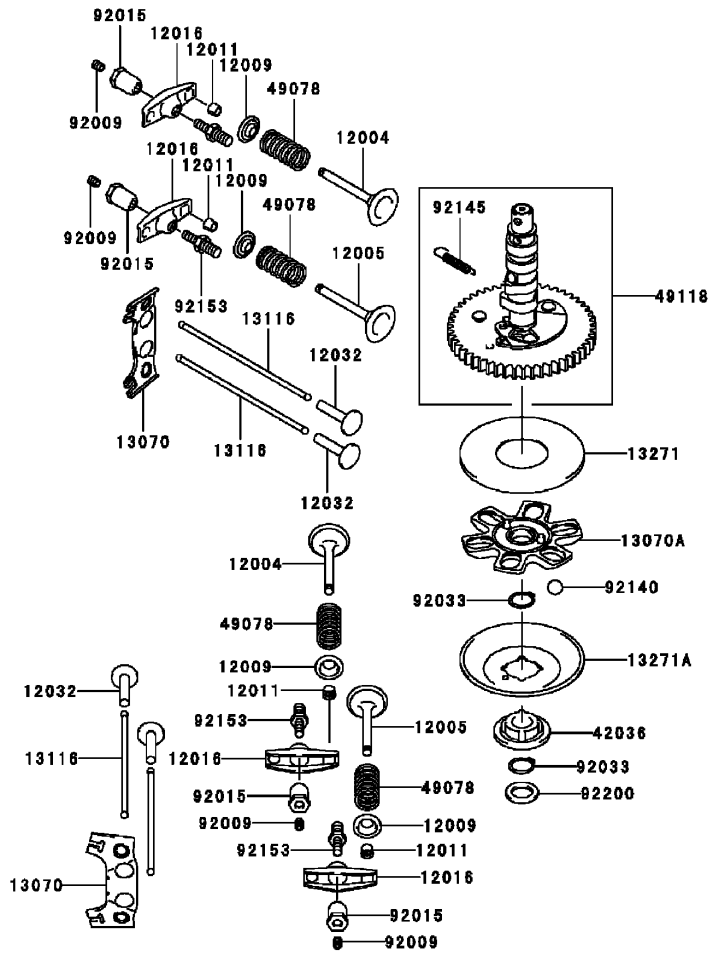
Ref	Part No.	Qty.	Description
⑤11004	11004-7010	2	Gasket-Head
⑤11008	11008-6042	1	Head-Comp-Cylinder
⑤11008A	11008-6043	1	Head-Comp-Cylinder,#1
⑤11008B	11008-7009	1	Head-Comp-Cylinder
⑤11008C	11008-7020	1	Head-Comp-Cylinder,#2
⑤11022	11022-7003	2	Case-Rocker
⑤11060	11060-7001	2	Gasket,rocker Case
⑤11060A	11060-7008	1	Gasket,crankcase Cover
⑤11061	11061-7001	1	Gasket,breather
⑤13271	13271-7016	1	Plate
⑤14091	14091-7006	1	Cover
⑤49015	49015-6253	1	Cover-Crankcase
⑤49109	49109-7002	1	Element-Breather
⑤49120	49120-7023	1	Crankcase-Comp
⑤92033	92033-7003	2	Ring-Snap
⑤92043	92043-7001	6	Pin
⑤92049	92049-7001	4	Seal-Oil,rvc 26x11x10.2
⑤92049A	92049-7005	1	Seal-Oil,so 8x14x5 HS
⑤92049B	92049-7010	1	Seal-Oil,sd 35x48x8 R HS
⑤92049C	92049-7011	1	Seal-Oil,sd 35x48x8 L HS
⑤92066	92066-7002	1	Plug
⑤130	130B0612	4	Bolt-Flanged
⑤130A	130B0640	4	Bolt-Flanged
⑤130B	130T0850	17	Bolt-Flanged

Ref	Part No.	Qty.	Description
⑤130C	130T0875	2	Bolt-Flanged
⑤172	172G0818	4	Bolt-Stud



Piston/Crankshaft Assembly Kawasaki Model No. FH580V-BS06

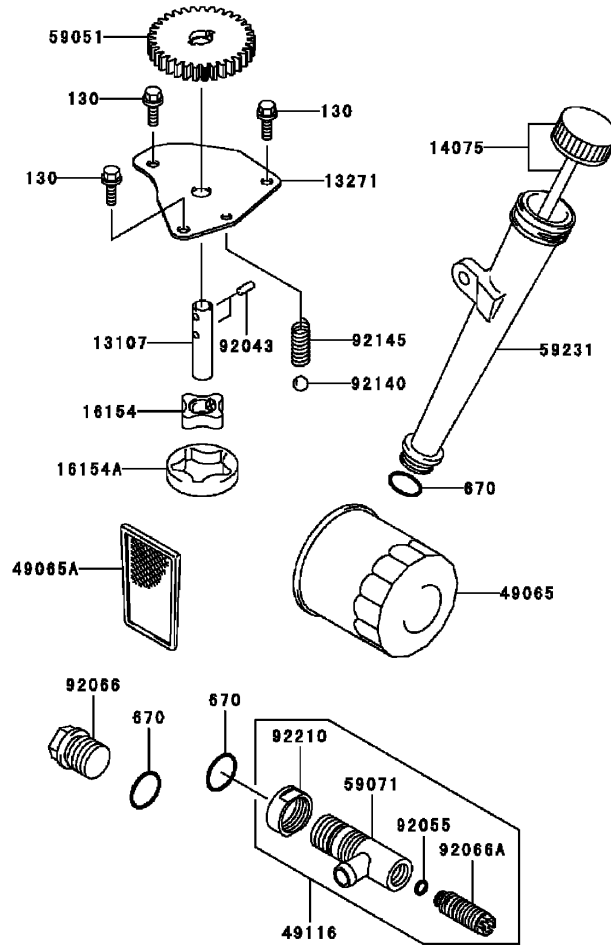
Ref	Part No.	Qty.	Description				
①13001	13001-7010	2	Piston-Engine				
①13002	13002-7001	2	Pin-Piston				
①13008	13008-6060	2	Ring-Set-Piston				
①13031	13031-7040	1	Crankshaft-Comp				
①13251	13251-7010	2	Rod-Assy-Connecting				
①92033	92033-7005	4	Ring-Snap				
①92151	92151-7017	4	Bolt,6x35				



Valve and Camshaft Assembly Kawasaki Model No. FH580V-BS06

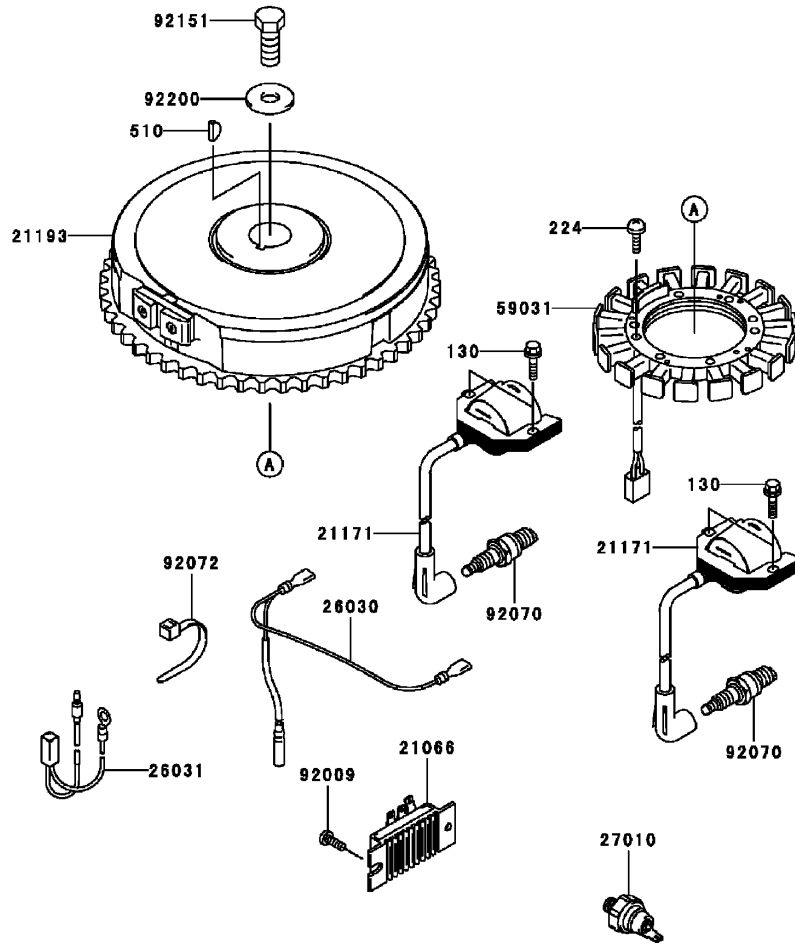
Ref	Part No.	Qty.	Description
①	12004	2	Valve-Intake
①	12005	2	Valve-Exhaust
④	12009	4	Retainer-Valve Spring
⑧	12011	8	Collet
④	12016	4	Arm-Rocker
④	12032	4	Tappet
②	13070	2	Guide
①	13070A	1	Guide
④	13116	4	Rod-Push
①	13271	1	Plate
①	13271A	1	Plate,governor
①	42036	1	Sleeve
④	49078	4	Spring-Engine Valve
①	49118	1	Camshaft-Comp
④	92009	4	Screw
④	92015	4	Nut
②	92033	2	Ring-Snap
⑥	92140	6	Ball
①	92145	1	Spring
④	92153	4	Bolt
①	92200	1	Washer

--	--	--	--	--



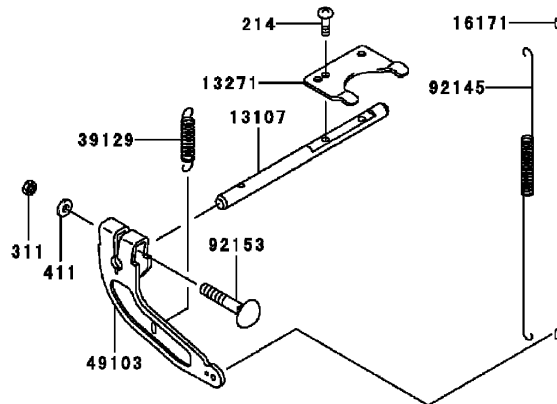
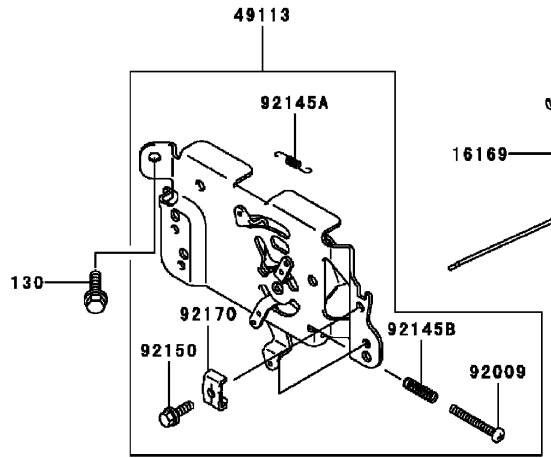
Lubrication Equipment Assembly Kawakaki Model No. FH580V-BS06

Ref	Part No.	Qty.	Description				
⑤13107	13107-7009	1	Shaft				
⑤13271	13271-7017	1	Plate				
⑤14075	14075-7009	1	Cap-Assy				
⑤16154	16154-2053	1	Rotor-Pump,in				
⑤16154A	16154-2054	1	Rotor-Pump,out				
⑤49065	49065-2078	1	Filter-Oil				
⑤49065A	49065-7004	1	Filter-Oil				
⑤49116	49116-7001	1	Valve-Assy				
⑤59051	59051-7011	1	Gear-Spur				
⑤59071	59071-7008	1	Joint				
⑤59231	59231-7005	1	Filler				
⑤92043	92043-7003	2	Pin				
⑤92055	92055-7002	1	Ring-O,6mm				
⑤92066	92066-7003	1	Plug				
⑤92066A	92066-7007	1	Plug				
⑤92140	92140-7003	1	Ball				
⑤92145	92145-7002	1	Spring				
⑤92210	92210-7012	1	Nut				
⑤130	130B0612	3	Bolt-Flanged				
⑤670	670D2016	3	O Ring,16mm				



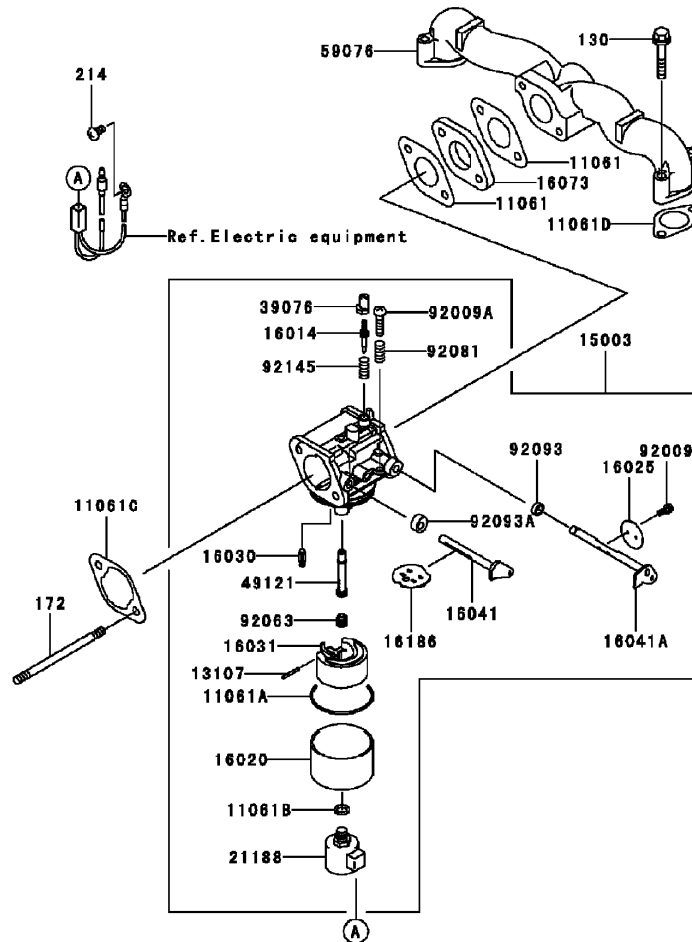
Electric Equipment Assembly Kawasaki Model No. FH580V-BS06

Ref	Part No.	Qty.	Description				
⑤21066	21066-7011	1	Regulator-Voltage				
⑤21171	21171-7013	2	Coil-Assy-Ignition				
⑤21193	21193-7007	1	Flywheel-Assy				
⑤26030	26030-7001	1	Harness				
⑤26031	26031-7002	1	Harness				
⑤27010	27010-7002	1	Switch				
⑤59031	59031-7001	1	Coil-Charging				
⑤92009	92009-2308	1	Screw				
⑤92070	92070-7003	2	Plug-Spark,rcj8y,solid				
⑤92072	92072-7003	2	Band				
⑤92151	92151-2097	1	Bolt,12x30				
⑤92200	92200-7002	1	Washer				
⑤130	130B0620	4	Bolt-Flanged				
⑤224	224B0520	4	Screw-Pan-Wp-Cros				
⑤510	510A5100	1	Key-Woodruff				



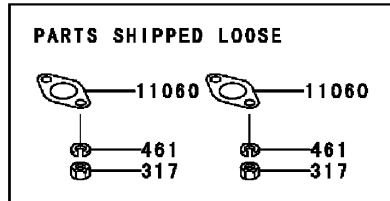
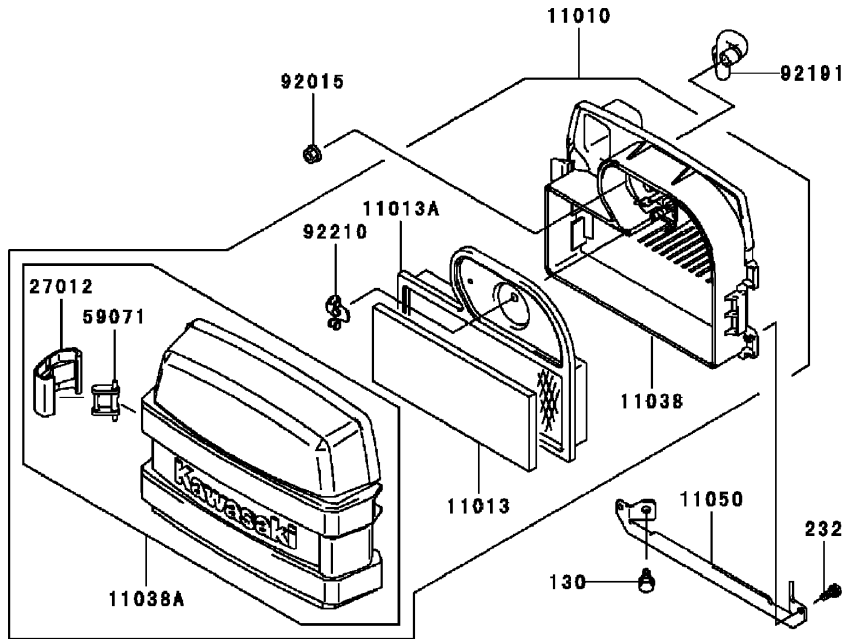
Control Equipment Assembly Kawasaki Model No. FH580V-BS06

Ref	Part No.	Qty.	Description				
①13107	13107-7010	1	Shaft				
①13271	13271-7018	1	Plate				
①16169	16169-7010	1	Link-Choke				
①16171	16171-7001	1	Link				
①39129	39129-7003	1	Spring-Governor				
①49103	49103-7004	1	Arm-Governor				
①49113	49113-7011	1	Panel-Comp-Control				
①92009	92009-7007	1	Screw,4x35				
①92145	92145-7003	1	Spring				
①92145A	92145-7004	1	Spring				
①92145B	92145-7005	1	Spring				
①92150	92150-2182	2	Bolt,5x18				
①92153	92153-7005	1	Bolt,6x35				
①92170	92170-7001	2	Clamp				
①130	130B0612	2	Bolt-Flanged				
①214	214B0408	2	Screw-Pan+-				
①311	311B0600	1	Nut-Hex				
①411	411b0600	1	Washer-Plain				



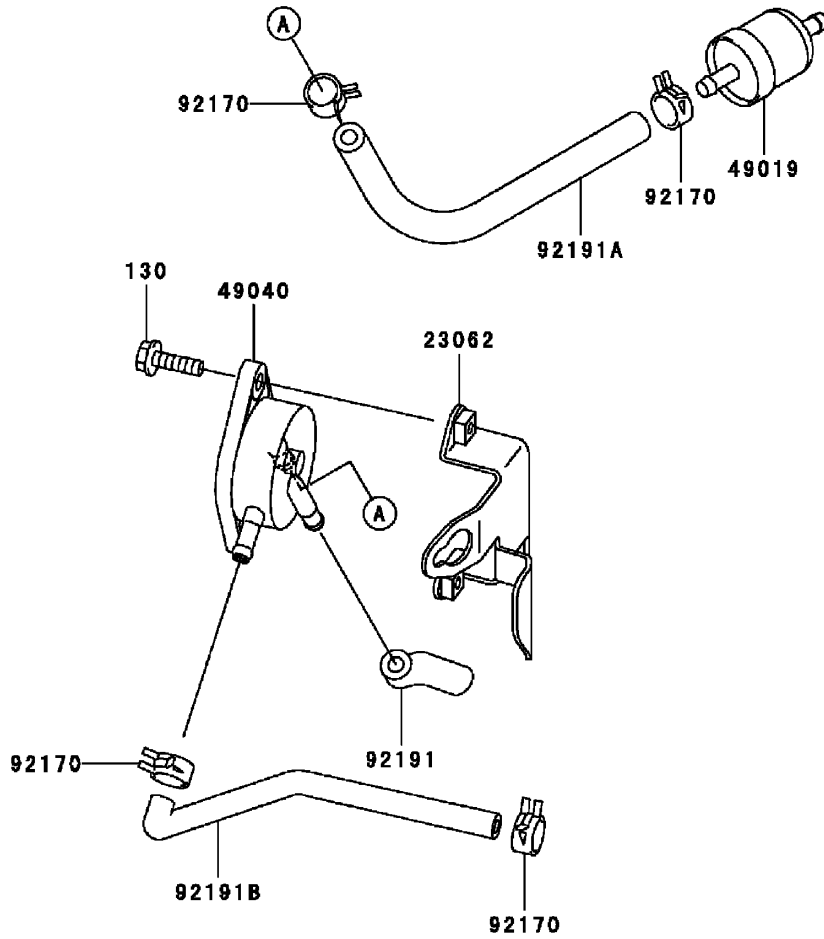
Carburetor Assembly Kawasaki Model No. FH580V-BS06

Ref	Part No.	Qty.	Description	Ref	Part No.	Qty.	Description
⑤11061	11061-7004	2	Gasket,insulator	⑤92093	92093-2100	1	Seal
⑤11061A	11061-7009	1	Gasket,chamber	⑤92093A	92093-7003	1	Seal
⑤11061B	11061-7010	1	Gasket,screw	⑤92145	92145-7015	1	Spring
⑤11061C	11061-7018	1	Gasket,air Cleaner	⑤130	130B0635	4	Bolt-Flanged
⑤11061D	11061-7019	2	Gasket	⑤172	172G0685	2	Bolt-Stud
⑤13107	13107-7018	1	Shaft	⑤214	214B0510	1	Screw-Pan+-
⑤15003	15003-7081	1	Carburetor-Assy				
⑤16014	16014-7004	1	Screw-Pilot Air				
⑤16020	16020-7003	1	Chamber-Float				
⑤16025	16025-7006	1	Valve-Throttle				
⑤16030	16030-7003	1	Valve-Float				
⑤16031	16031-7002	1	Float				
⑤16041	16041-7016	1	Shaft-Carburetor,choke				
⑤16041A	16041-7018	1	Shaft-Carburetor,throttle				
⑤16073	16073-7007	1	Insulator				
⑤16186	16186-7004	1	Valve-Assy-Choke				
⑤21188	21188-7002	1	Solenoid				
⑤39076	39076-7001	1	Limiter				
⑤49121	49121-7004	1	Nozzle-Main				
⑤59076	59076-7001	1	Manifold-Intake				
⑤92009	92009-2083	2	Screw				
⑤92009A	92009-2349	1	Screw				
⑤92063	92063-7037	1	Jet-Main,#105				
⑤92081	92081-2234	1	Spring				



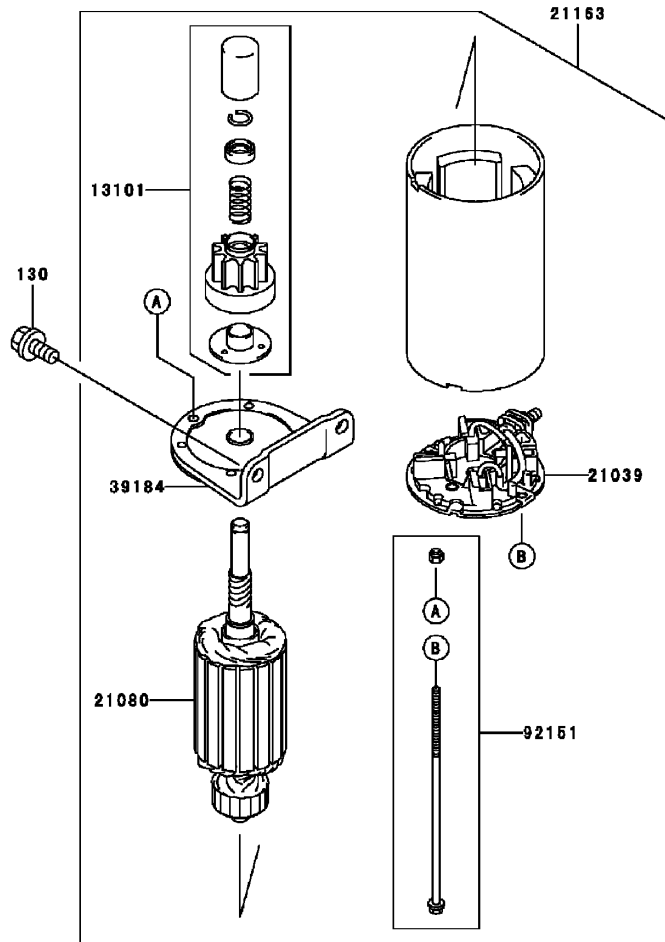
Air-Filter/Muffler Assembly Kawasaki FH580V-BS06

Ref	Part No.	Qty.	Description				
④11010	11010-7013	1	Filter-Assy-Air				
④11013	11013-7001	1	Element-Air Filter				
④11013A	11013-7002	1	Element-Air Filter				
④11038	11038-7006	1	Case-Assy-Air Filter				
④11038A	11038-7011	1	Case-Assy-Air Filter				
④11050	11050-7006	1	Bracket				
④11060	11060-7021	2	Gasket,muffler				
④27012	27012-7001	2	Hook,air Filter				
④59071	59071-7014	2	Joint				
④92015	92015-1193	2	Nut				
④92191	92191-7001	1	Tube				
④92210	92210-7004	1	Nut				
④130	130B0612	2	Bolt-Flanged				
④232	232B0514	2	Screw-Pan-Ws+-				
④317	317R0800	4	Nut-Hex-Small				
④461	461F0800	4	Washer-Spring				



Fuel Tank/Fuel Valve Assembly Kawasaki Model FH580V-BS06

Ref	Part No.	Qty.	Description				
⑤23062	23062-7004-9H	1	Bracket-Comp				
⑤49019	49019-7001	1	Filter-Fuel				
⑤49040	49040-7001	1	Pump-Fuel				
⑤92170	92170-2088	4	Clamp				
⑤92191	92191-7002	1	Tube				
⑤92191A	92191-7003	1	Tube,6.35x12.7x160				
⑤92191B	92191-7004	1	Tube				
⑤130	130B0620	2	Bolt-Flanged				



Starter Assembly Kawasaki Model No. FH580V-BS06

Ref	Part No.	Qty.	Description
①13101	13101-7003	1	Gear-Assy
①21039	21039-7004	1	Brush
①21080	21080-7001	1	Armature
①21163	21163-7010	1	Starter-Electric
①39184	39184-7004	1	Bracket-Assy
①92151	92151-7013	1	Bolt
①130	130B0816	2	Bolt-Flanged



NEW HOLLAND

