



# Z588E Z Master<sup>®</sup>

## With 72in TURBO FORCE Side Discharge Mower

Model No. 74256 - 250000001 and up.

## Parts Catalog

### Ordering Replacement Parts

To order replacement parts, please supply the part number, the quantity, and the description of each part desired.

### Understanding Reference Numbers

Each Identified part in an illustration has a reference number. The reference number for a part also appears in the parts list, along with other information about the part.

This catalog uses two special reference number formats, one to indicate parts in a service assembly and another to indicate the quantity of a given part in an illustration.

### Service Assembly Reference Numbers

Parts in service assemblies have reference numbers in the form a:b. The a represents the reference number of the entire service assembly and the b represents a sequential number unique to each part within the service assembly.

For example, a wheel assembly might be identified by reference number 6, the tire by 6:1, the valve by 6:2, and the wheel by 6:3. When you order the assembly identified by reference number 6, you receive all parts identified by reference numbers 6:1, 6:2, and 6:3. However, you may also order any part individually. Reference numbers of this type appear in illustrations and in part lists.

### Reference Numbers Indicating Quantity

In an illustration, if a reference number indicates more than one part, the reference number has the form nX y. The n represents the quantity of the part, the X is the multiplication symbol, and the y represents the reference number.

For example, in an illustration, the reference number 2X 37 means that two of the parts identified by reference number 37 are indicated.

# Contents

Description	Page	Description	Page
Front Frame Assembly	..... 3	Deck and Decal Assembly No. 107-1625	..... 26
Castor and Wheel Assembly	..... 5	Rubber Deflector Assembly No. 106-3249	..... 27
Main Frame Assembly	..... 6	Lever Assembly No. 106-3242	..... 28
Brake and Wheel Hub Assembly	..... 7	Crankshaft Assembly Kohler CH745-0003	..... 29
Steering Control Assembly	..... 8	Crankcase Assembly Kohler CH745-0003	..... 30
Hydraulic System Assembly	..... 9	Oil Pan/Lubrication Assembly Kohler CH745-0003	..... 31
Seat and Roll-Over-Protection-System Assembly	..... 11	Head/Valve/Breather Assembly Kohler CH745-0003	..... 32
Suspension Seat Assembly No. 106-9988	..... 12	Ignition/Electrical Assembly Kohler CH745-0003	..... 33
Roll-Over-Protection-System Assembly No. 108-1097	..... 13	Blower Housing and Baffle Assembly Kohler CH745-0003	..... 34
Deck Mounting Assembly	..... 14	Starting System Assembly Kohler CH745-0003	..... 35
Drive Idler Assembly	..... 15	Fuel System Assembly Kohler CH745-0003	..... 36
Z-Stand Assembly	..... 16	Engine Control Assembly Kohler CH745-0003	..... 37
Engine and Clutch Assembly	..... 17	Air Intake/Filtration Assembly Kohler CH745-0003	..... 38
Muffler and Guard Assembly	..... 18	Exhaust Assembly Kohler CH745-0003	..... 39
Fuel Assembly	..... 19	Attachments and Accessories List	..... 40
Electrical Assembly	..... 21		
Deck Assembly	..... 23		
Spindle Assembly No. 106-3217	..... 25		

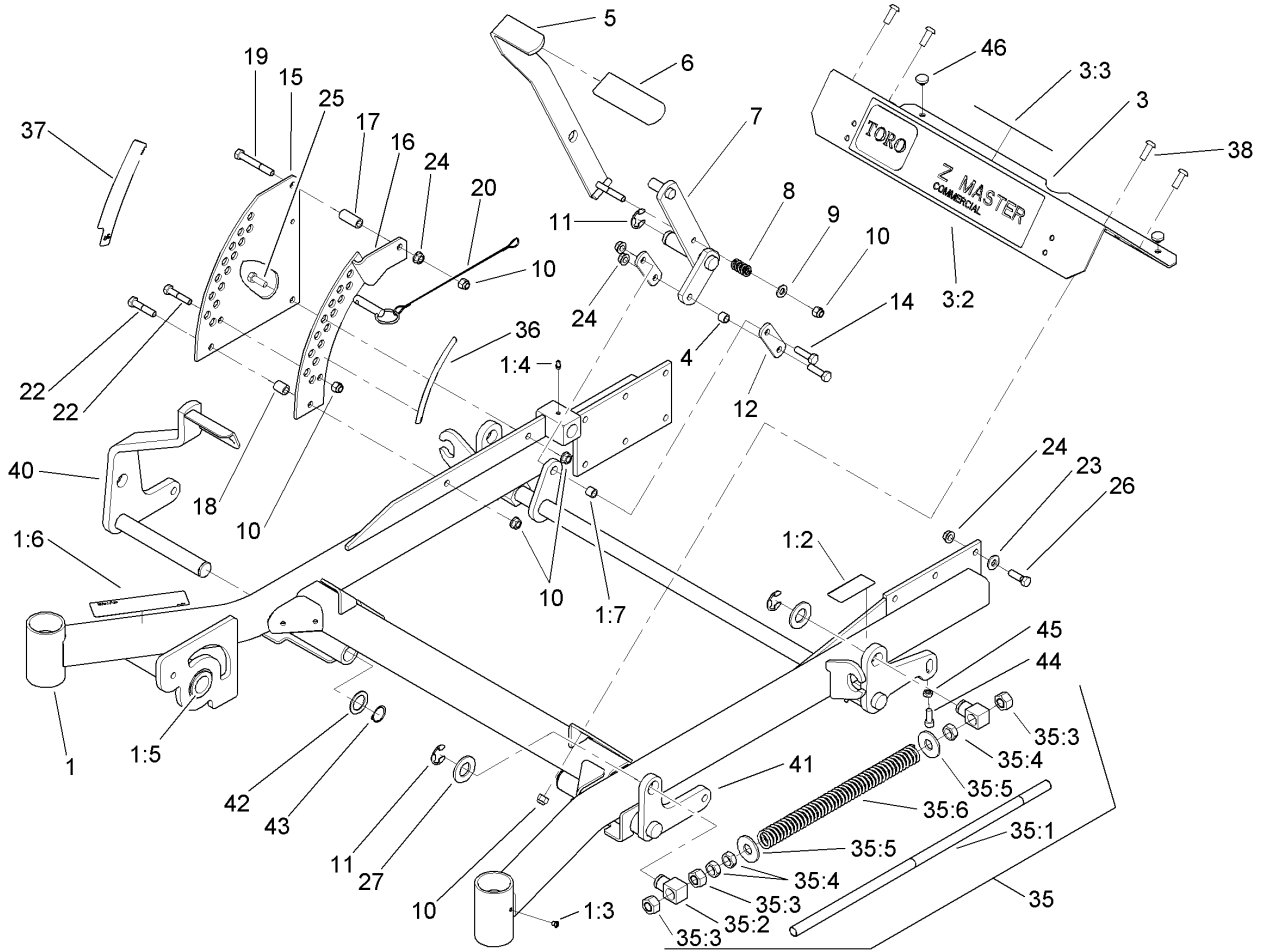
## Part Description Abbreviations

Part descriptions in this catalog may include the following abbreviations.

AR. .... as required	INC. .... incorporated
ASM. .... assembly	LH. .... left hand
CARR. .... carriage	NI. .... nylon insert
DEG. .... degrees	PPH. .... phillips pan head
FH. .... flat head	PTH. .... phillips truss head
GA. .... gauge	PTO. .... power take off
HF. .... hex flange	RH. .... right hand
HH. .... hex head	SFH. .... slotted fillister head
HHF. .... hex head flange	SHH. .... slotted hex head
HHFTF. .... hex head flange thread forming	SHWH. .... slotted hex washer head
HJ. .... hex jam	SPH. .... slotted pan head
HLH. .... hex lag head	SQH. .... square head
HOC. .... height-of-cut	SRH. .... slotted round head
HS. .... hex	STD. .... standard
HSBH. .... hex socket button head	TAP. .... self tapping
HSFH. .... hex socket flat head	TTH. .... torx truss head
HSH. .... hex socket head	WH. .... wing head
HWH. .... hex washer head	
HWHTF. .... hex washer head thread forming	
HYD. .... hydraulic	

## Footnotes

- |   |  |
|---|--|
| <p>❶ Not illustrated</p> <p>❷ X-22-11-S washer used with M-561016-S screw to ground ignition coil lead.</p> | <p>❸ Not serviced separately</p> <p>❹ Obtain Parts From Your Local Kohler Dealer</p> |
|---|--|



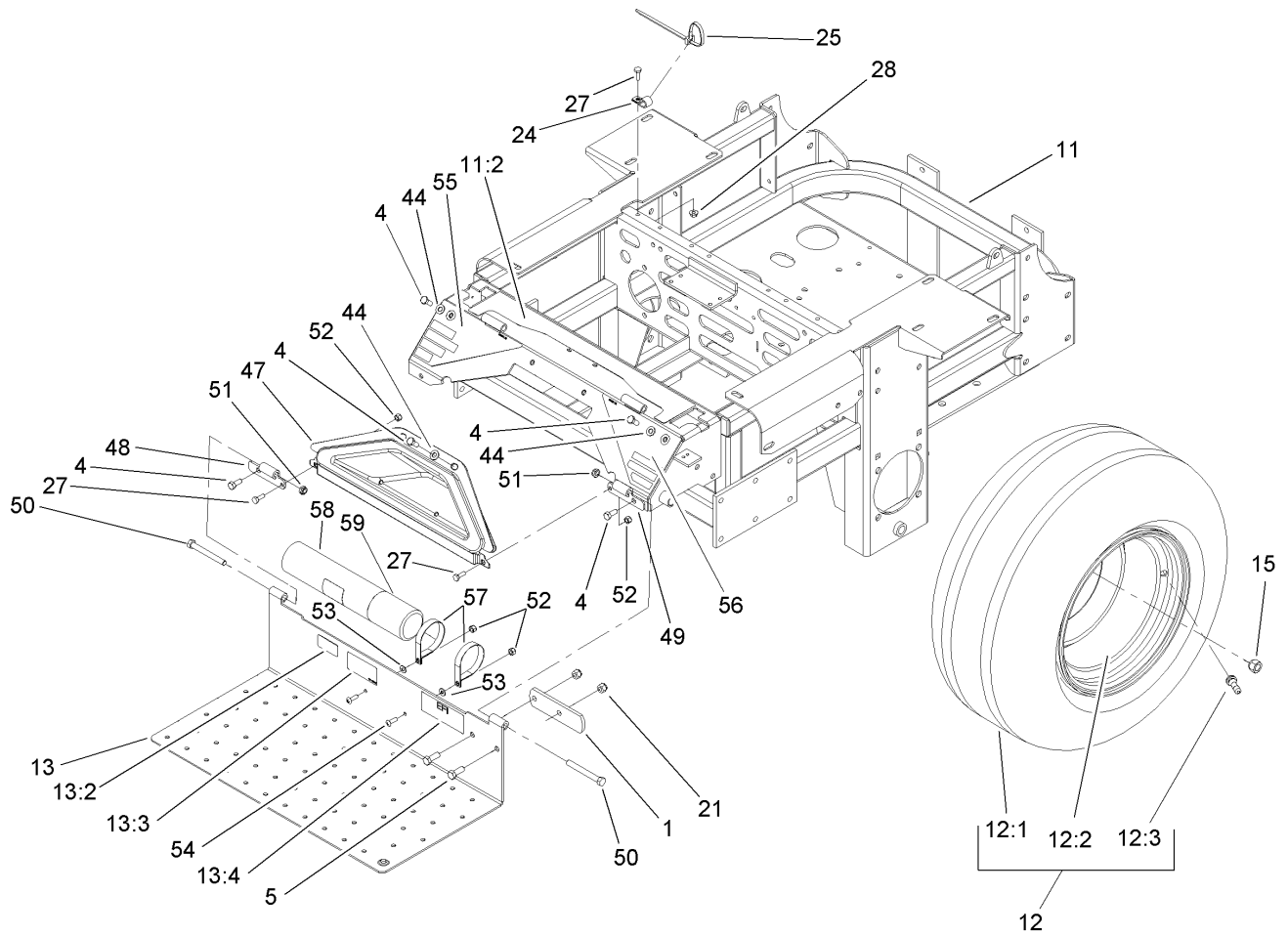
## Front Frame Assembly

Ref	Part No.	Qty.	Description
1	106-8999	1	Frame ASM
1:2	107-1857	1	Decal-Brake, Parking
1:3	1-811010	2	Plug
1:4	302-19	5	Fitting-Grease
1:5	94-1291	2	Bushing
1:6	104-7759	1	Decal-Warning
1:7	103-1918	1	Bushing
3	106-9981	1	Front Floorpan ASM
3:2	106-7451	1	Decal
3:3	107-2112	1	Decal-Warning
4	103-1918	1	Bushing
5	103-2083-03	1	Lift Lever ASM
6	1-633295	1	Grip-Lever, Lift
7	103-2064-03	1	Arm-Lift, Deck
8	1-633325	1	Spring-Compression
9	3256-24	1	Washer-Flat
10	3296-39	9	Nut-Lock, NI
11	32151-103	5	Ring-Snap
12	1-633068	2	Arm-Lift, Deck
14	323-29	2	Screw-HH
15	1-633889-01	1	Plate-Lift, Deck
16	1-632899-01	1	Plate-Lift, Deck
17	1-633082	1	Bushing-Lever, Lift
18	1-633080	1	Bushing-Lever, Lift

Ref	Part No.	Qty.	Description
19	323-13	1	Screw-HH
20	106-9951	1	Hitch Pin ASM
22	323-9	2	Screw-HH
23	98-5975	12	Washer-Belleville
24	3290-357	15	Nut-HHF
25	323-6	1	Screw-HH
26	323-7	12	Screw-HH
27	3256-29	4	Washer-Flat
35		2	Front Frame Spring ASM
35:1	1-633096	1	Rod-Lift, Deck
35:2	1-633441	2	Swivel-Deck Mount, Rear
35:3	3217-11	3	Nut-Hex
35:4	3218-6	3	Nut-Jam
35:5	3256-7	2	Washer-Flat
35:6	1-643015	1	Spring-Support, Deck
36	107-1861	1	Decal-Height, Deck
37	107-1860	1	Decal-Height, Deck
38	3274-94	4	Screw-HSBH
40	106-8983-01	1	RH Deck Lift ASM
41	106-8984-01	1	LH Deck Lift ASM
42	1-523157	2	Washer-Spacer
43	32151-29	2	Ring-Retaining
44	3274-18	2	Screw-HSH
45	3218-2	2	Nut-Jam



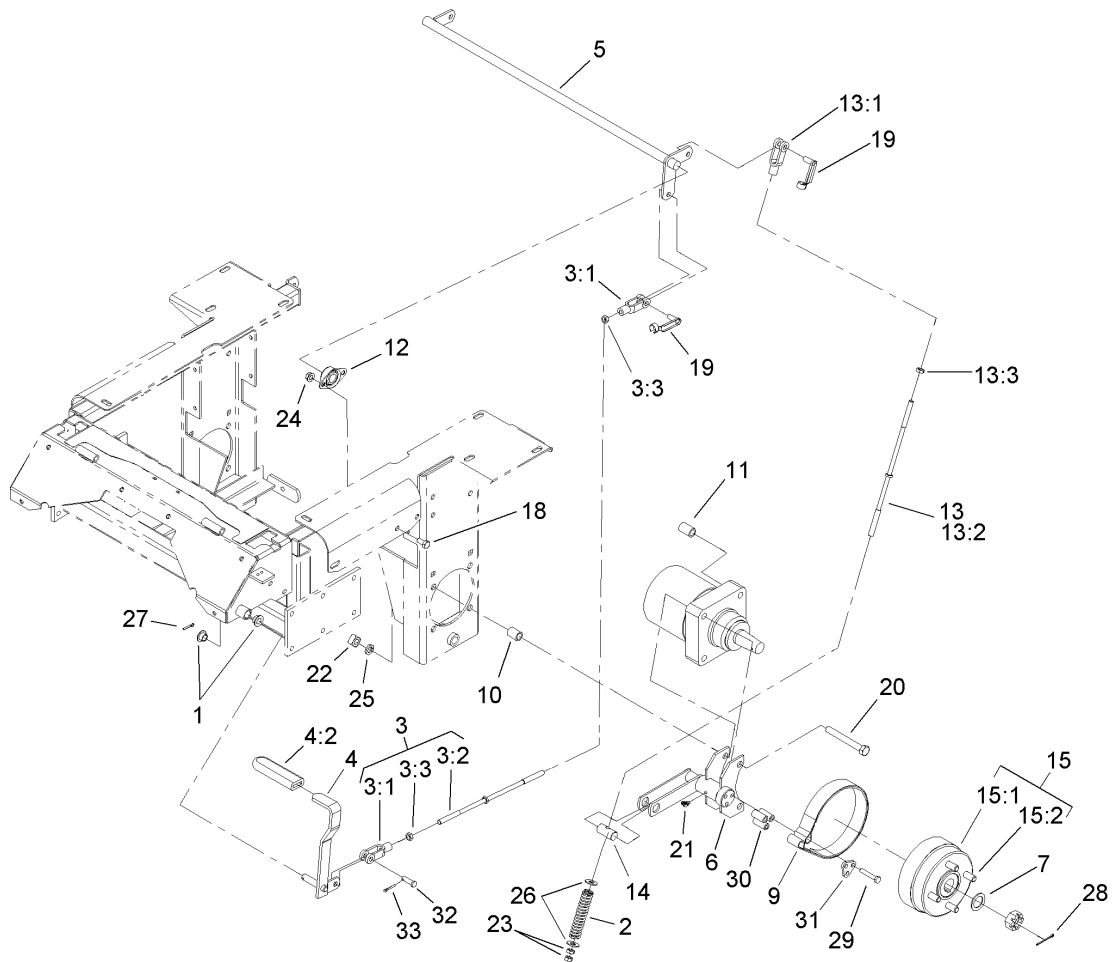




## Main Frame Assembly

Ref	Part No.	Qty.	Description
1	1-633964-03	1	Stop-Brake, Park
4	322-43	6	Screw-HH
5	323-6	2	Screw-HH
11	108-1095	1	Main Frame ASM
11:2	107-8076	1	Decal-Console, Top
12	1-633970	2	Wheel And Tire ASM
12:1	1-633993	1	Tire
12:2	1-633992	1	Wheel
12:3	232-27	1	Stem-Valve
13	107-1859	1	Floorpan
13:2	98-4387	1	Decal-Protection, Ear
13:3	107-1864	1	Decal-Location, Manual
13:4	106-7486	1	Decal-Efi
15	242-50	8	Nut-Lug
21	3296-39	2	Nut-Lock, NI
24	1-513762	1	Clip-Loom
25	1-303335	1	Tie-Plastic
27	321-4	3	Screw-HH
28	32128-33	1	Nut-HF
44	3256-70	6	Washer-Flat
47	106-7498	1	Pocket
48	106-7488-03	1	Hinge-Floorpan, LH
49	106-7489-03	1	Hinge-Floorpan, RH
50	323-20	2	Screw-HH

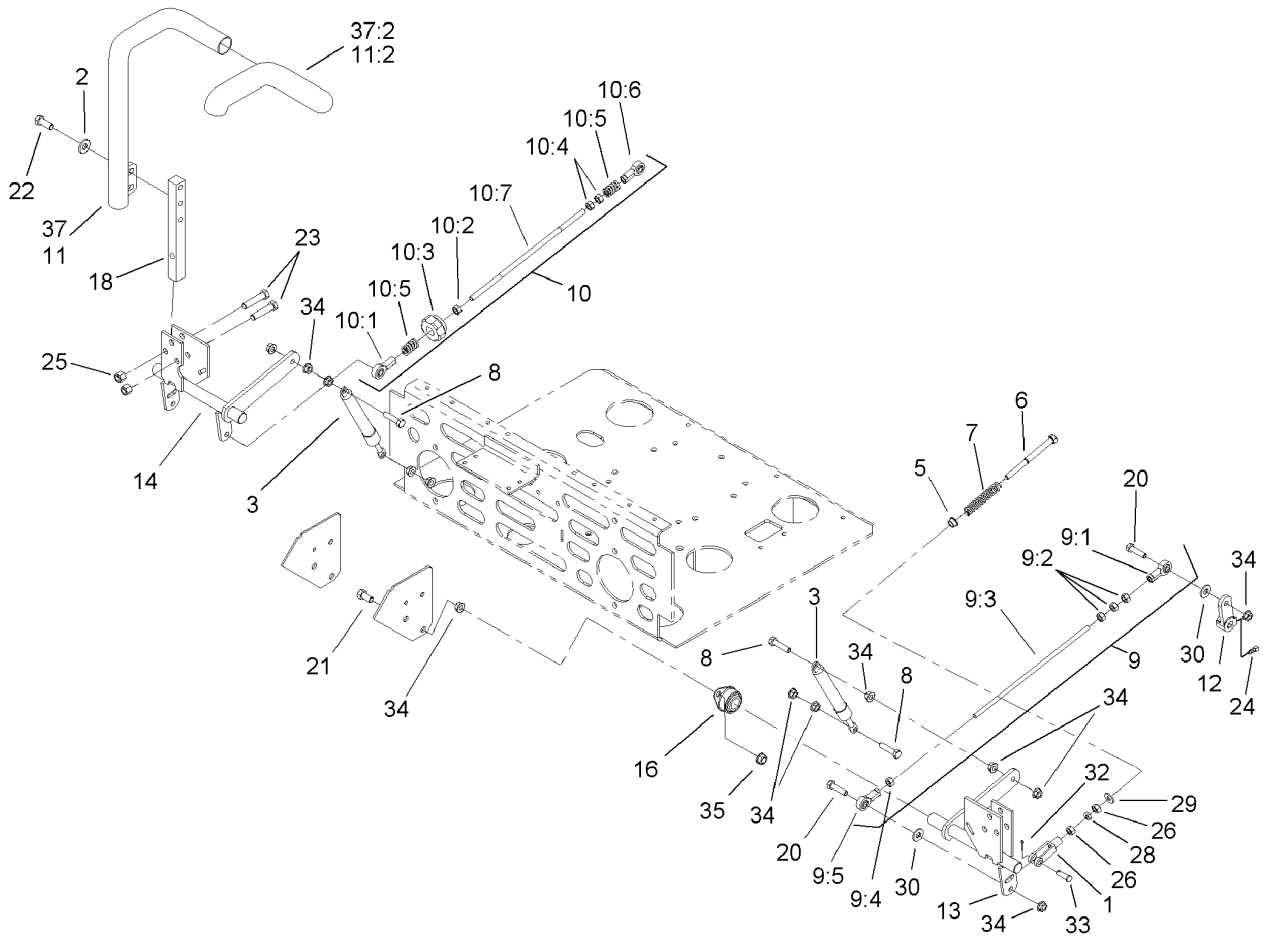
Ref	Part No.	Qty.	Description
51	3296-59	2	Nut-Lock, NI
52	3296-42	4	Nut-Lock, NI
53	3256-63	2	Washer-Flat
54	3258-166	2	Screw-Prh
55	106-9989	1	Decal-Warning
56	106-7492	1	Decal-Danger
57	107-1865	2	R-Clamp
58	104-7050	1	Housing-Manual
59	104-7048	1	Cap-Housing



## Brake and Wheel Hub Assembly

Ref	Part No.	Qty.	Description
1	1-513140	2	Bearing-Control
2	1-633454	2	Spring-Brake
3	103-4332	1	Brake Rod And Yoke ASM
3:1	1-633131	2	Yoke-Linkage, Brake
3:2	1-633477	1	Rod-Brake
3:3	3219-3	2	Nut-Hex
4	1-634500	1	Brake Lever ASM
4:2	1-633268	1	Grip-Lever, Brake
5	1-632217-03	1	Shaft-Brake
6	103-0354-03	2	Bracket-Brake ASM
7	1-523157	2	Washer-Spacer
9	103-0355	2	Band-Brake
10	1-633060	4	Spacer-Wheel, Short
11	1-633062	4	Spacer-Wheel, Long
12	1-633102	2	Bearing-Flange, Side
13	103-4333	2	Brake Rod And Yoke ASM
13:1	1-633131	1	Yoke-Linkage, Brake
13:2	1-633477	1	Rod-Brake
13:3	3219-3	1	Nut-Hex
14	1-633144	2	Pin-Trunion
15	103-0590	2	Hub And Wheel ASM
15:1	103-0589	1	Wheel Hub ASM
15:2	1-633926	4	Stud-Wheel
18	323-4	4	Screw-HH

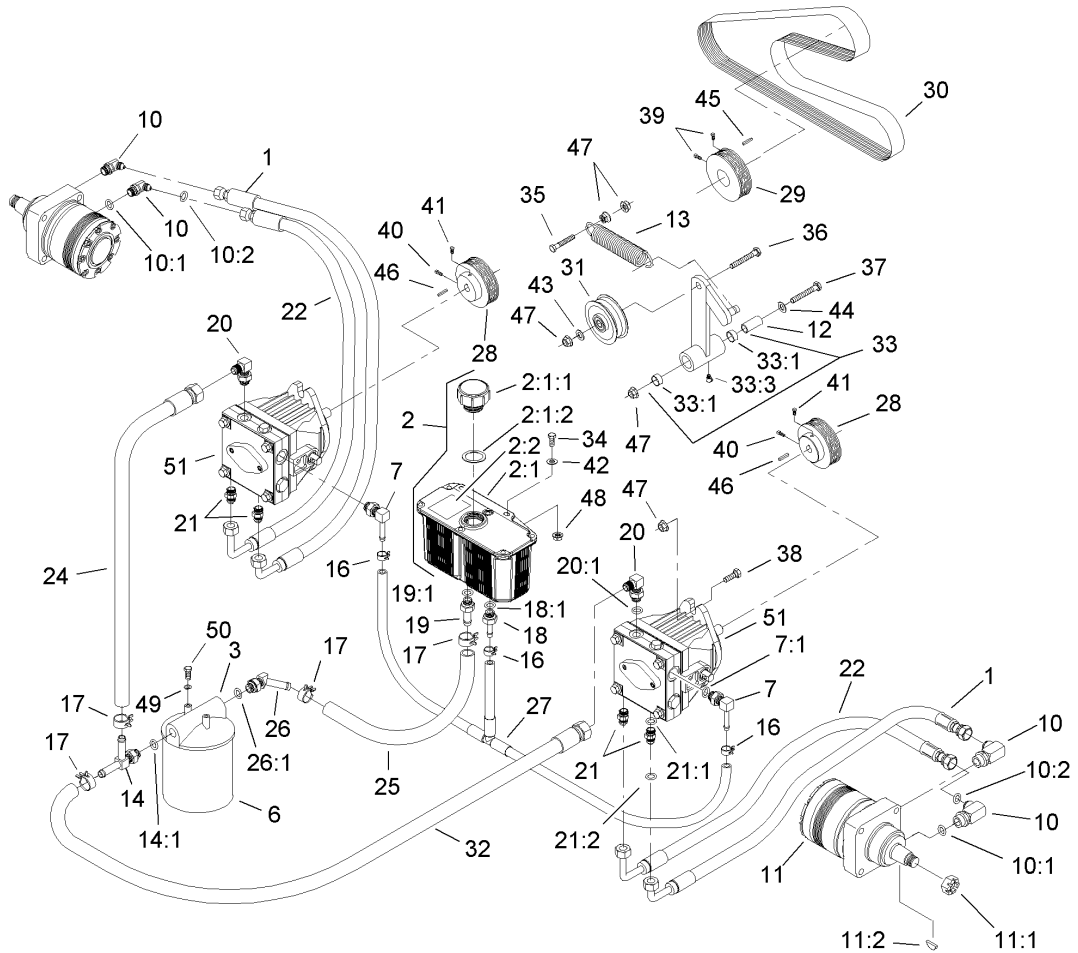
Ref	Part No.	Qty.	Description
19	103-2399	3	Pin-Spring, Clevis
20	325-20	8	Screw-HH
21	302-19	2	Fitting-Grease
22	103-0131	8	Nut-Square
23	3219-3	4	Nut-Hex
24	3290-357	4	Nut-HHF
25	3253-7	8	Washer-Lock
26	3256-4	4	Washer-Flat
27	3272-10	1	Pin-Cotter
28	1-806800	2	Pin-Cotter
29	322-9	6	Screw-HH
30	103-0384	6	Spacer
31	103-0374	2	Retainer-Band, Brake
32	1-808285	1	Pin-Clevis
33	3272-10	1	Pin-Cotter



## Steering Control Assembly

Ref	Part No.	Qty.	Description
1	1-303105	2	Yoke-Adjustable
2	98-5975	4	Washer-Belleville
3	103-4079	2	Damper-Control, Motion
5	1-603735	2	Bushing-Flanged
6	1-603737	2	Bolt-Return, Neutral
7	1-603807	2	Spring-Return, Neutral
8	1-403180	4	Screw-HH
9	103-4331	1	Tracking Rod ASM
9:1	1-543017	1	Balljoint-RH
9:2	3219-2	3	Nut-Hex
9:3	103-3064	1	Link-Rod, Tracking
9:4	1-804524	1	Nut
9:5	1-633152	1	Balljoint-Thread, LH
10	103-4330	1	Tracking Rod ASM
10:1	1-543017	1	Balljoint-RH
10:2	3219-2	1	Nut-Hex
10:3	103-3060	1	Knob-Tracking
10:4	1-804524	2	Nut
10:5	1-323245	2	Spring-Compression
10:6	1-633152	1	Balljoint-Thread, LH
10:7	103-3064	1	Link-Rod, Tracking
11	108-7238	1	LH Lever ASM
11:2	106-9987	1	Grip-Control, Motion
12	1-632208	2	Arm-Control, Pump

Ref	Part No.	Qty.	Description
13	103-4781	1	Control-Motion, LH
14	103-4782	1	Control-Motion, RH
16	1-633102	4	Bearing-Flange, Side
18	103-0407	2	Arm-Shaft, Control
20	322-6	4	Screw-HH
21	323-4	8	Screw-HH
22	323-6	4	Screw-HH
23	323-9	6	Screw-HH
24	1-803022	2	Screw-Set
25	3296-39	6	Nut-Lock, NI
26	3219-2	4	Nut-Hex
28	3220-2	2	Nut-Jam
29	3256-2	2	Washer-Flat
30	3256-3	4	Washer-Flat
32	3272-5	2	Pin-Cotter
33	1-808280	2	Pin-Clevis
34	32128-20	16	Nut-HF
35	3290-357	8	Nut-HHF
37	108-7237	1	RH Lever ASM
37:2	106-9987	1	Grip-Control, Motion

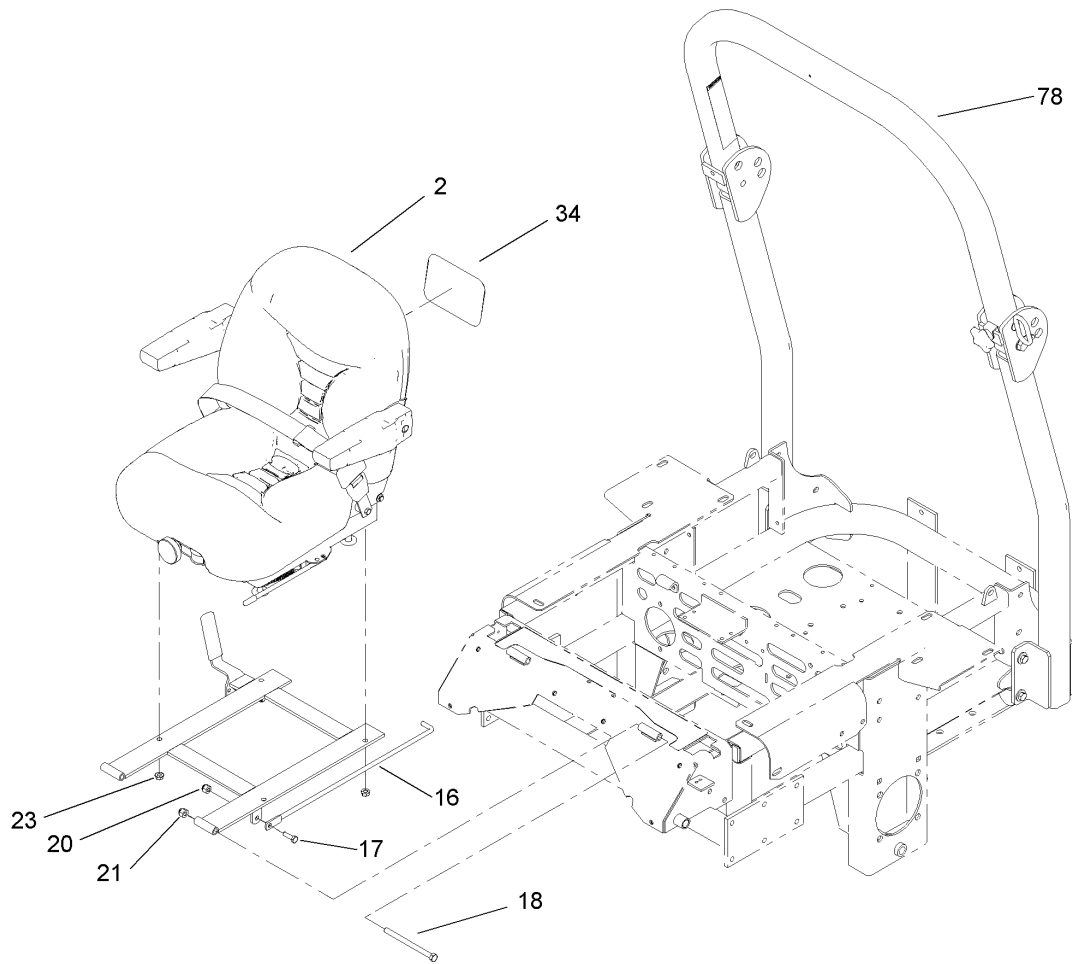


## Hydraulic System Assembly

Ref	Part No.	Qty.	Description
1	103-3734	2	HYD Hose ASM
2	103-1947	1	HYD Reservoir ASM
2:1		1	Reservoir-HYD
2:1:1	103-1948	1	Cap-Reservoir, HYD
2:1:2	103-1949	1	Gasket-Cap
2:2	1-523552	1	Decal-Tank, HYD
3	104-7836	1	Head-Filter
6	1-633752	1	Filter-Hyd, Winter
6	1-633750	1	Filter-HYD
7	103-1799	2	Elbow-90 DEG
7:1	237-42	1	O-Ring
10	1-633786	4	Fitting-90 DEG
10:1	237-80	1	O-Ring
10:2	1-603992	1	O-Ring
11	103-6988	2	Motor-Wheel
11:1	1-809036	1	Nut-HH
11:2	3257-42	1	Key-Woodruff
11:99	1-000139	1	Bearing Kit
11:99	1-000099	1	Seal Kit
11:99	103-2748	1	Drive Link Kit
12	1-603384	1	Bushing-Pivot, Idler
13	103-3330	1	Spring-Extension
14	103-1828	1	Adapter-Run, Tee
14:1	237-42	1	O-Ring

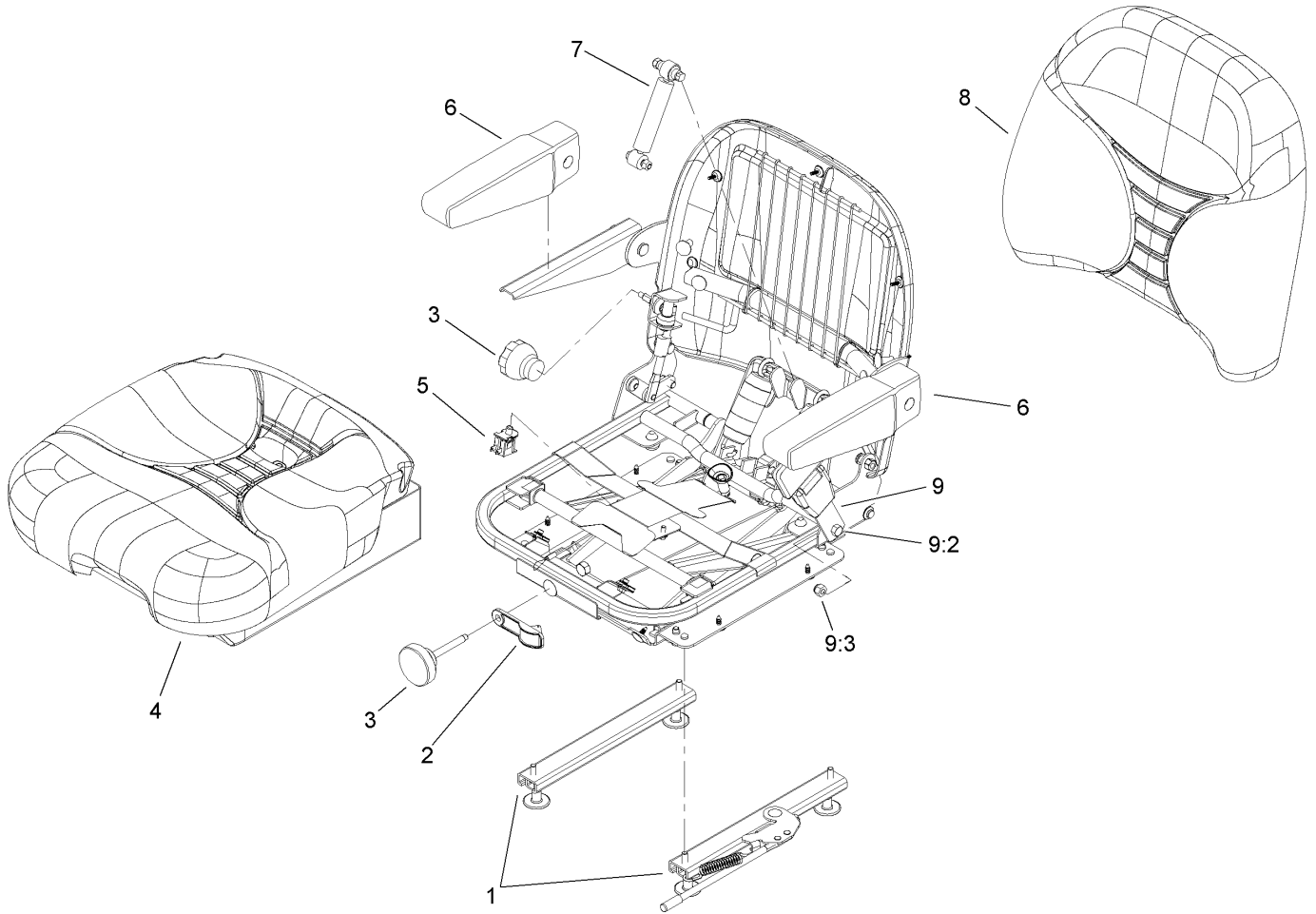
Ref	Part No.	Qty.	Description
16	103-1716	3	Clamp-Hose
17	103-1988	4	Clamp-Hose
18	103-1801	1	Adapter-Straight
18:1	237-42	1	O-Ring
19	103-1912	1	Adapter-Straight
19:1	237-42	1	O-Ring
20	103-1802	2	Fitting-Hyd, 90 DEG
20:1	1-603921	1	O-Ring
21	1-603990	4	Fitting-Straight
21:1	1-603920	1	O-Ring
21:2	1-603992	1	O-Ring
22	103-1863	2	Hose-Lower
24	103-1826	1	HYD Hose ASM
25	103-1808	1	Hose-HYD
26	103-1807	1	Elbow-45 DEG
26:1	237-42	1	O-Ring
27	103-1806	1	HYD Hose ASM
28	103-6907	2	Sheave
29	1-633567	1	Sheave
30	103-7445	1	Belt-V
31	1-633167	1	Sheave-Idler
32	103-1827	1	HYD Hose ASM
33	1-634277	1	Bearing Arm ASM
33:1	1-513034	2	Sleeve-Bearing





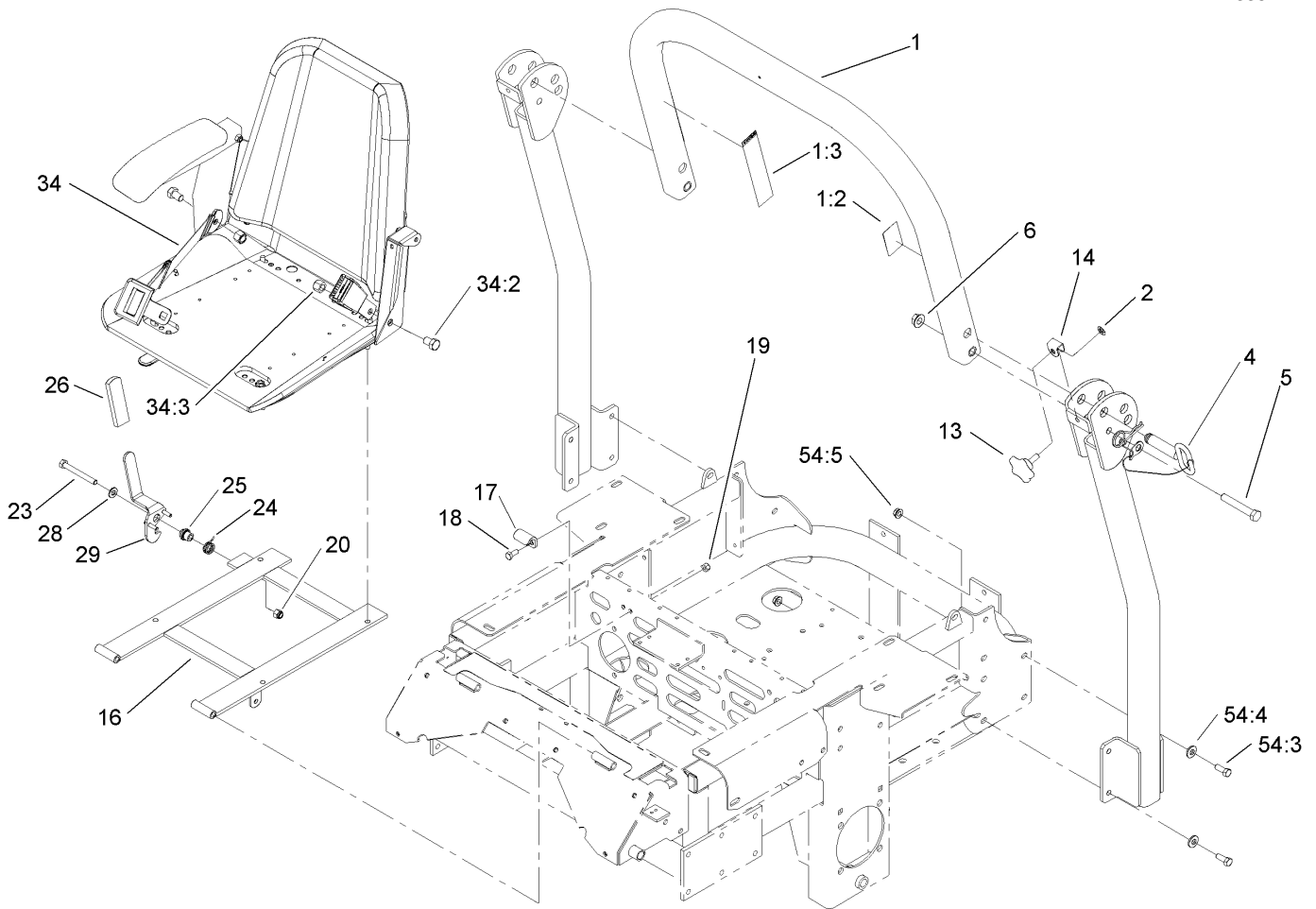
## Seat and Roll-Over-Protection-System Assembly

Ref	Part No.	Qty.	Description				
2	106-9988	1	Seat-Suspension				
16	1-633293	1	Rod-Holdup, Seat				
17	322-5	1	Screw-HH				
18	323-39	2	Screw-HH				
20	3296-29	3	Nut-Lock, NI				
21	3296-39	3	Nut-Lock, NI				
23	32128-20	4	Nut-HF				
34	99-4693	1	Decal				
78	108-1097	1	Rops ASM				



## Suspension Seat Assembly No. 106-9988

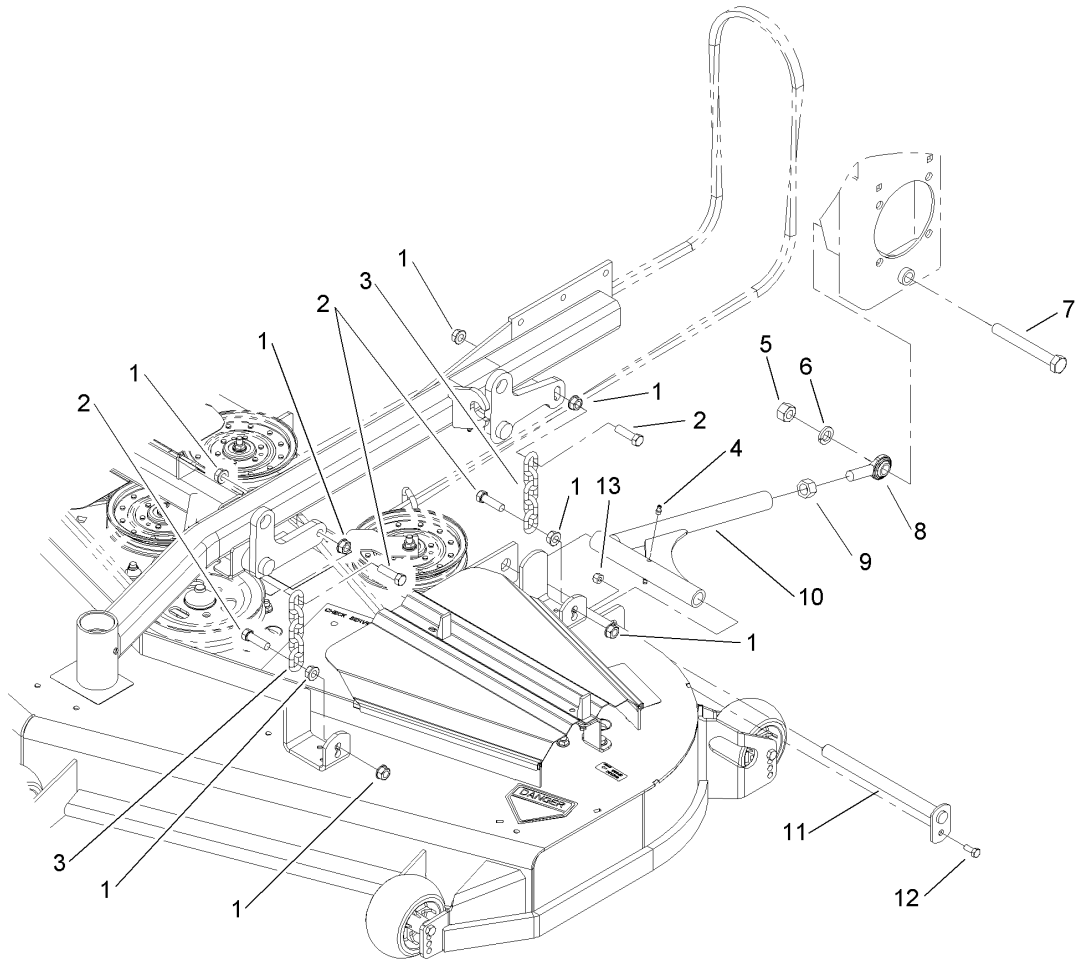
Ref	Part No.	Qty.	Description				
1	107-1880	1	Seat Track Kit				
2	107-1885	1	Weight Indicator Kit				
3	107-1881	1	Knob Kit				
4	107-1883	1	Bottom Cushion Kit				
5	107-1886	1	Switch Kit				
6	107-1887	1	Armrest Kit				
7	107-1884	1	Shock Absorber Kit				
8	107-1882	1	Back Cushion Kit				
9	103-4469	1	Seatbelt Kit				
9:2	3212-4	2	Screw-HH				
9:3	3296-38	2	Nut-Lock NI				



## Roll-Over-Protection-System Assembly No. 108-1097

Ref	Part No.	Qty.	Description
1		1	Upper Tube ASM
1:2	107-2101	1	Decal-Rops
1:3	107-2102	1	Decal-Warning, Folding Rops
2	107-3154	2	Nut-Push
4	103-4553	2	Rops Fold Pin ASM
5	325-13	2	Screw-HH
6	32128-23	2	Nut-HF
13	106-0887	2	Knob
14	107-3124	2	Clip
16	107-3052-03	1	Seat Support Frame ASM
17	107-3058	1	Catch-Latch, Seat
18	322-3	2	Screw-HH
19	3296-29	2	Nut-Lock, NI
20	3296-39	1	Nut-Lock, NI
23	322-20	1	Screw-HH
24	107-0076	1	Spring-Torsion
25	107-0075	1	Bushing-Latch, Seat
26	62-9130	1	Grip-Handle
28	3256-24	1	Washer-Flat
29	107-3083	1	Latch ASM
34	103-4469	1	Seatbelt Kit
34:2	3212-4	2	Screw-HH
34:3	3296-38	2	Nut-Lock NI
54		1	Rops Bolt Bag

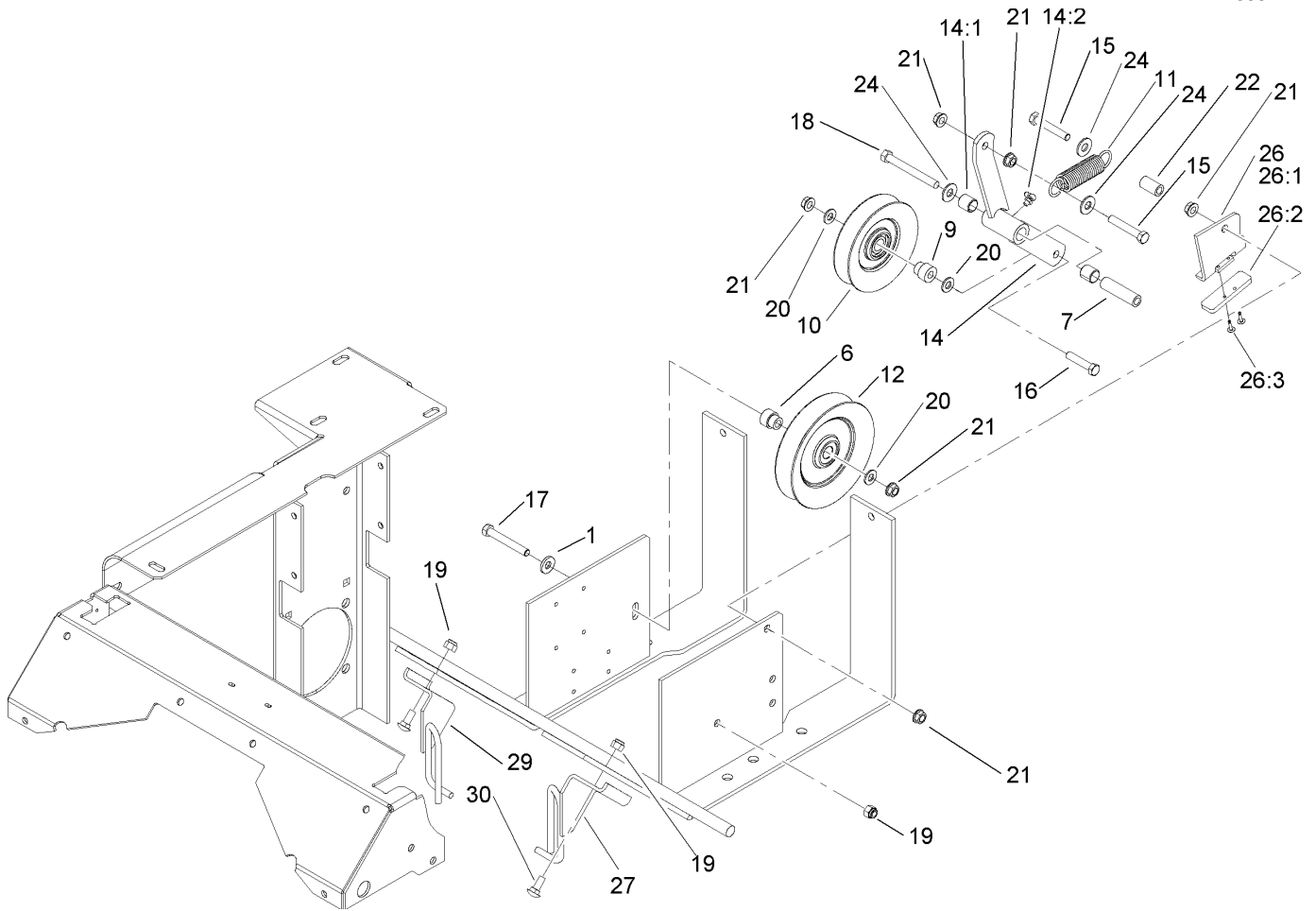
Ref	Part No.	Qty.	Description
54:3	323-6	8	Screw-HH
54:4	98-5975	8	Washer-Belleville
54:5	3290-357	8	Nut-HHF



## Deck Mounting Assembly

Ref	Part No.	Qty.	Description
1	32128-37	16	Nut-HF
2	103-1898	8	Screw-HH
3	1-633447	4	Chain-Lift, Deck
4	302-19	4	Fitting-Grease
5	3217-11	2	Nut-Hex
6	3253-8	2	Washer-Lock
7	327-11	2	Screw-HH
8	1-633029	2	Balljoint-Spherical
9	3219-6	2	Nut-Hex
10	103-1072-01	2	Strut
11	1-632199-01	2	Pin-Strut
12	322-3	2	Screw-HH
13	3296-29	2	Nut-Lock, NI

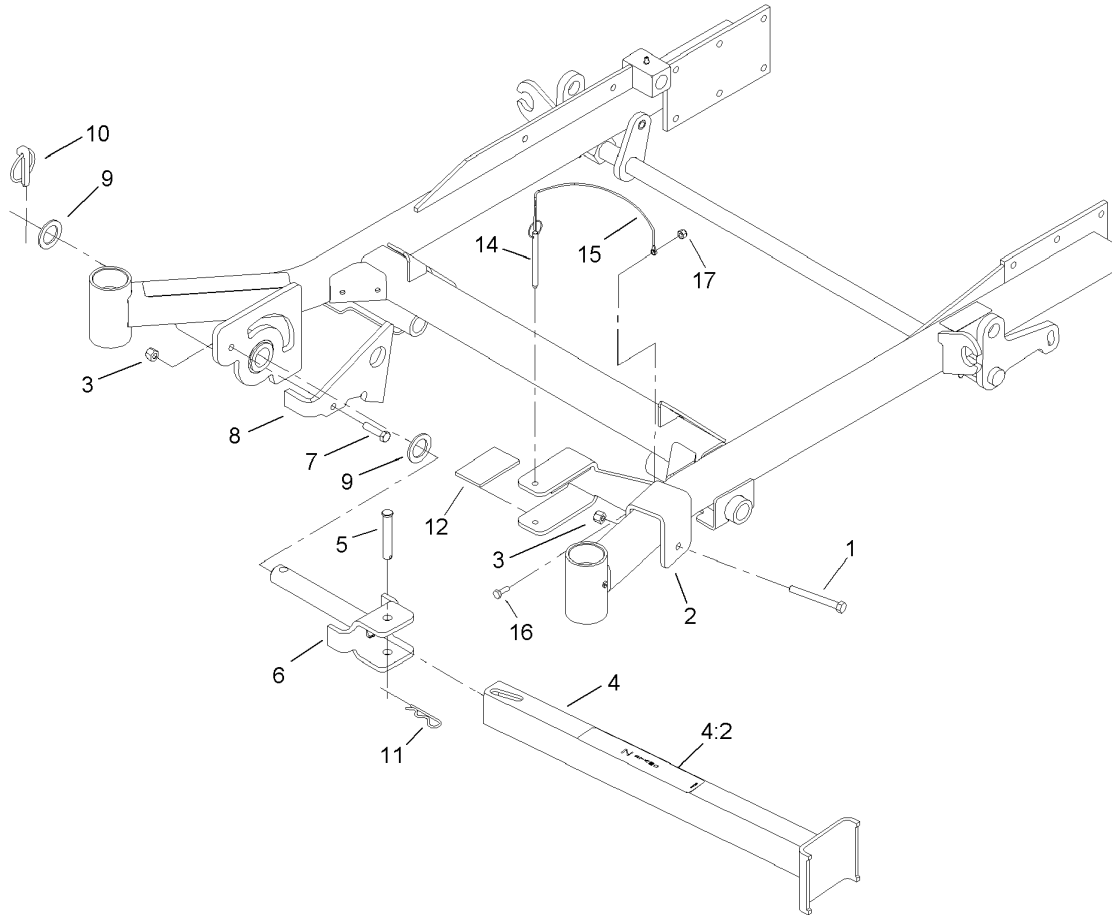
--	--	--	--



## Drive Idler Assembly

Ref	Part No.	Qty.	Description
1	98-5975	1	Washer-Belleville
6	103-2627	1	Bushing-Idler
7	1-603384	1	Bushing-Pivot, Idler
9	1-603496	1	Bushing-Idler
10	99-4638	1	Idler
11	1-603402	1	Spring-Extension
12	1-633166	1	Pulley-Idler
14	103-3147	1	Arm ASM
14:1	1-513034	2	Sleeve-Bearing
14:2	302-40	1	Fitting-Grease
15	323-12	2	Screw-HH
16	323-9	1	Screw-HH
17	323-13	1	Screw-HH
18	1-800805	1	Screw-HH
19	3296-39	3	Nut-Lock, NI
20	3256-24	3	Washer-Flat
21	3290-357	6	Nut-HHF
22	1-603401	1	Spacer-Fender
24	3256-4	3	Washer-Flat
26	106-3271	1	Travel Limiter ASM
26:1	106-3228-03	1	Plate-Limiter, Pulley
26:2	106-3229	1	Pad-Bumber
26:3	3269-24	2	Rivet
27	108-7204	1	Guide-Belt, LH

Ref	Part No.	Qty.	Description
29	108-7229	1	Guide-Belt, RH
30	3231-2	2	Screw-CARR

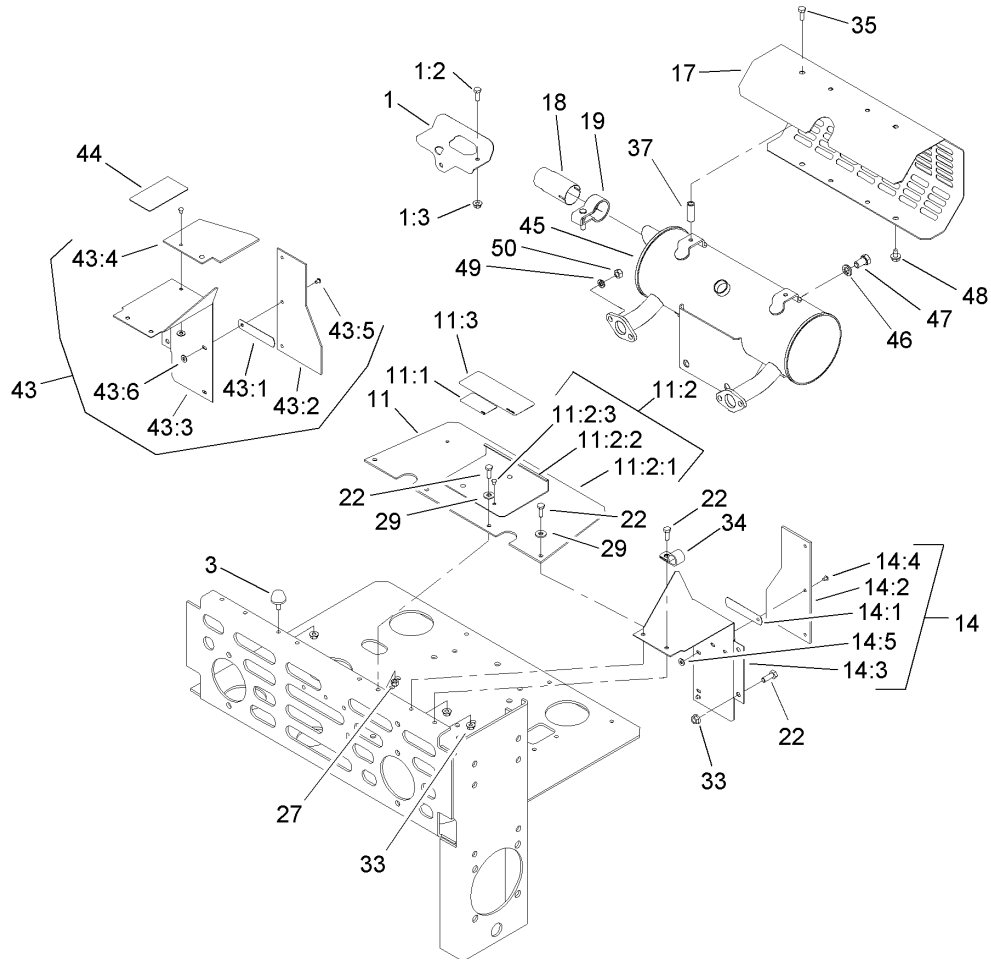


## Z-Stand Assembly

Ref	Part No.	Qty.	Description
1	323-20	1	Screw-HH
2	100-6542-01	1	Bracket-Cradle
3	3296-39	2	Nut-Lock, NI
4	107-1874	1	Leg ASM
4:2	106-7464	1	Decal-Z Stand
5	283-55	1	Pin-Clevis
6	100-9692-01	1	Pivot Pin ASM
7	323-8	1	Screw-HH
8	100-9686-01	1	Bracket-Latch
9	3-6781	2	Washer-Thrust
10	283-71	1	Pin-Lynch
11	3290-355	1	Pin-Hair
12	100-6547	2	Cushion-Rubber
14	105-1647	1	Pin-Hitch, Cotterless
15	100-9385	1	Lanyard-Nylon
16	321-4	1	Screw-HH
17	3296-42	1	Nut-Lock, NI

--	--	--	--

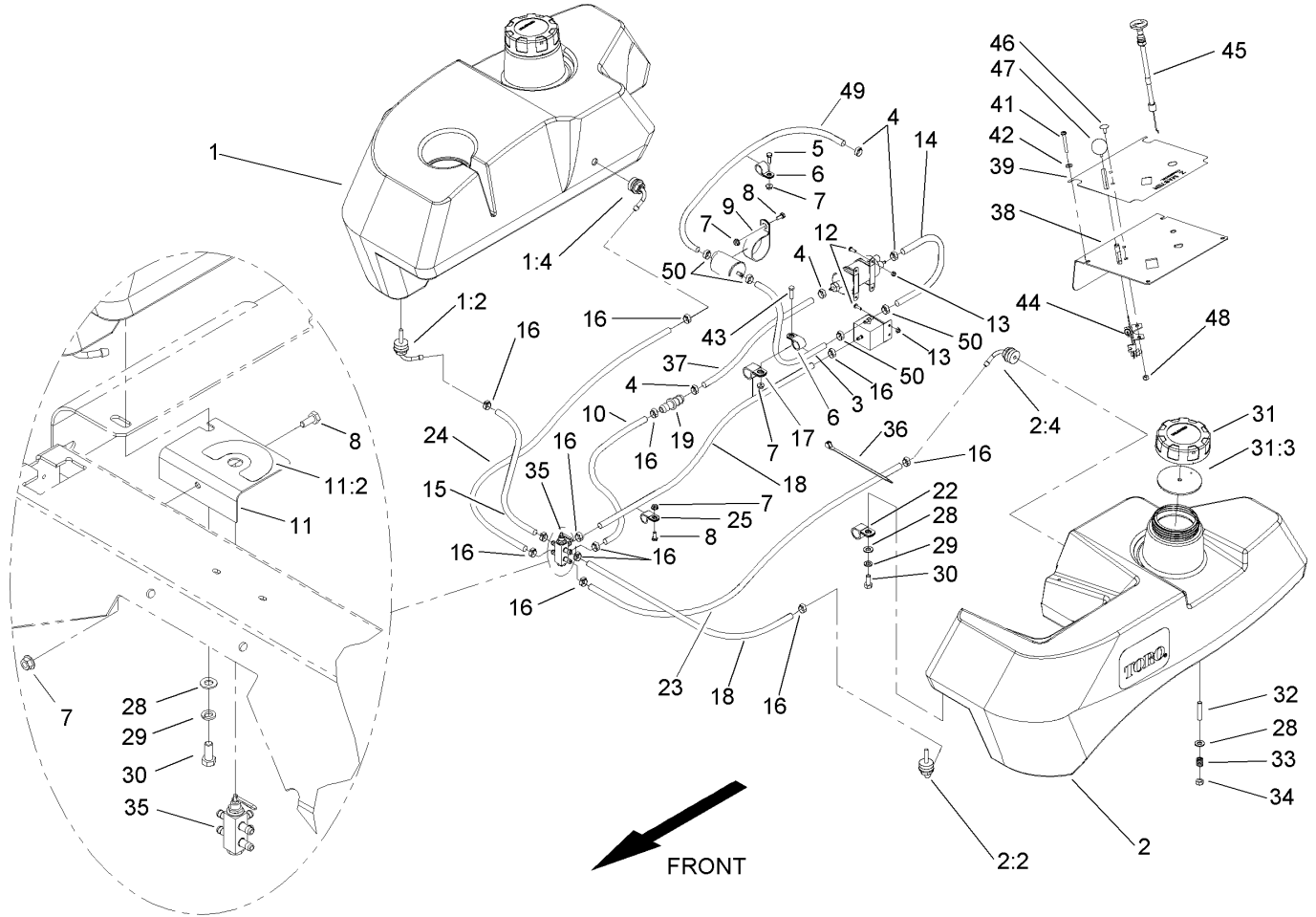




## Muffler and Guard Assembly

Ref	Part No.	Qty.	Description
1	103-3535	1	Cable Heat Shield Kit
1:2	321-4	1	Screw-HH
1:3	32128-33	1	Nut-HF
3	1-523420	2	Bumper
11	1-644276	1	Shield ASM
11:1	1-633462	1	Decal-Important
11:2	1-634308	1	Shield/lift ASM
11:2:1	103-1308	1	Shield-Engine
11:2:2	1-633300-03	1	Lift-Shield
11:2:3	1-803035	3	Rivet-Pop
11:3	103-5881	1	Decal-Devices, Rotating
14	1-634796	1	LH Shield ASM
14:1	1-523285	1	Clip-Baffle, Rear
14:2	1-633301	1	Shield-Engine
14:3	1-633795-03	1	Baffle-Engine Shield, LH
14:4	1-803035	3	Rivet-Pop
14:5	3256-63	3	Washer-Flat
17	1-643313-03	1	Guard-Muffler
18	103-1513	1	Arrester-Spark
19	103-1514	1	Clamp-Muffler
22	321-4	10	Screw-HH
27	3296-42	5	Nut-Lock, NI
29	3256-2	4	Washer-Flat
33	32128-33	9	Nut-HF

Ref	Part No.	Qty.	Description
34	1-633396	1	Clip-Loom
35	1-809108	2	Screw-HWH
37	1-323236	2	Spacer
43	1-644316	1	RH Shield ASM
43:1	1-523285	1	Clip-Baffle, Rear
43:2	1-633301	1	Shield-Engine
43:3	1-633794-03	1	Shield-RH
43:4	1-643315	1	Baffle-Cooler, Engine
43:5	1-803035	5	Rivet-Pop
43:6	3256-63	5	Washer-Flat
44	1-643339	1	Decal-Routing, Belt
45	103-7481	1	Muffler
46	3253-6	2	Washer-Lock
47	324-2	2	Screw-HH
48	9266934	2	Screw
49	1-805005	4	Washer-Lock
50	33014-00	4	Nut-Hex

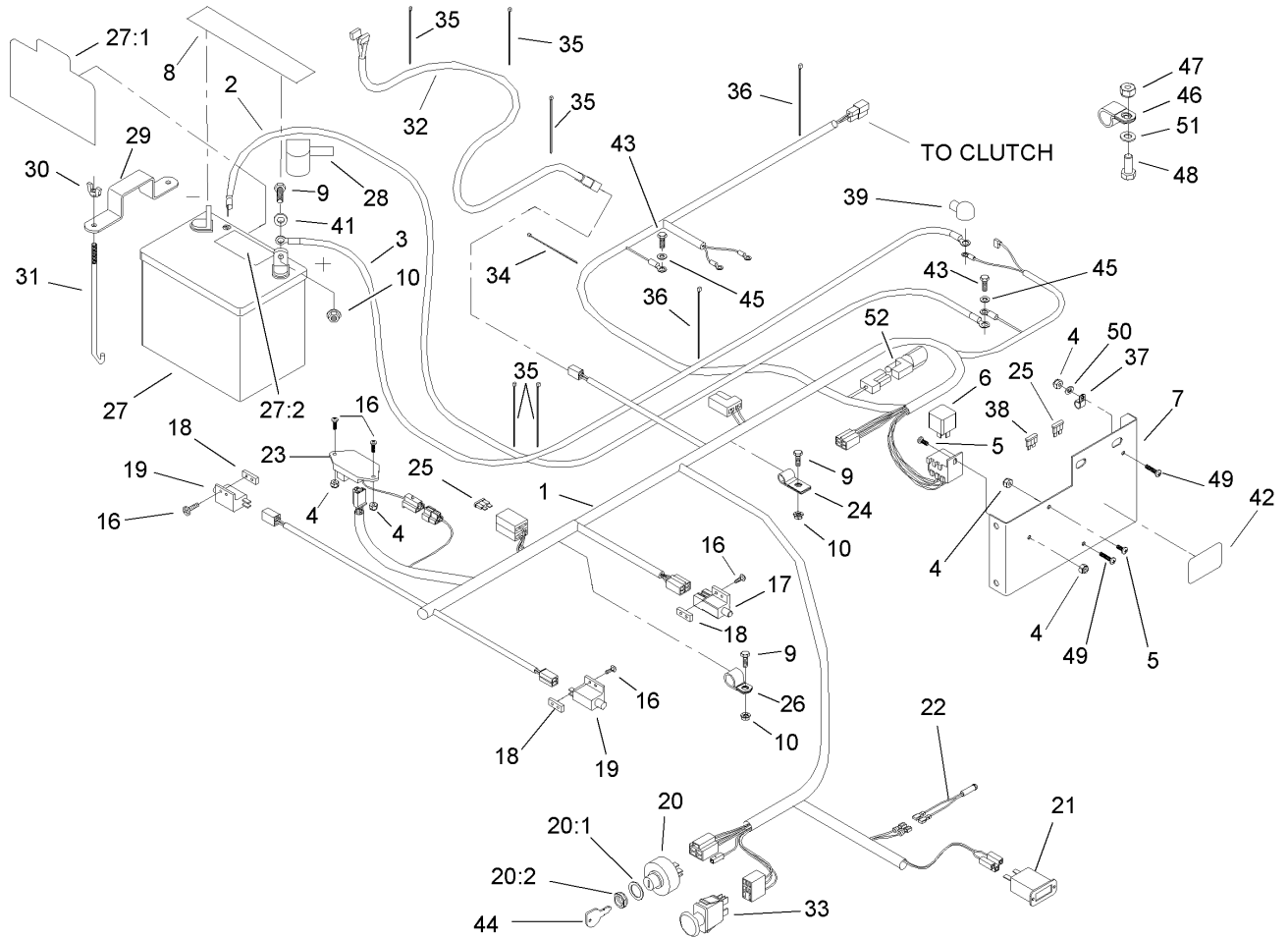


## Fuel Assembly

Ref	Part No.	Qty.	Description
1	106-9977	1	RH Fuel Tank ASM
1:2	103-2605	1	Fitting-Fuel, Bulkhead
1:4	103-2615	1	Fitting-Fuel, Bulkhead
2	106-9978	1	LH Fuel Tank ASM
2:2	103-2605	1	Fitting-Fuel, Bulkhead
2:4	103-2615	1	Fitting-Fuel, Bulkhead
3	103-2491	1	Hose-Fuel
4	1-643277	4	Clamp-Hose, Fuel
5	321-4	1	Screw-HH
6	1-603727	2	Clip-Loom
7	32128-33	5	Nut-HF
8	321-3	4	Screw-HH
9	1-643241	1	Clip-Loom
10	99-7190	1	Hose-Fuel
11	107-2115	1	Fuel Valve Bracket Asm
11:2	107-2114	1	Decal-Valve, Fuel
12	3290-500	6	Screw-PPH
13	3296-2	6	Nut-Lock
14	103-2490	1	Hose-Fuel
15	103-2944	1	Hose-Fuel
16	1-643293	12	Clamp-Hose, Fuel
17	1-643312	1	Clip-Loom
18	63-7722	2	Hose-Fuel
19	103-2595	1	Connector

Ref	Part No.	Qty.	Description
22	103-0373	1	Clip
23	107-1889	1	Hose-Fuel
24	99-7191	1	Hose-Fuel
25	1-513762	3	Clip-Loom
28	3256-23	8	Washer-Flat
29	1-805005	2	Washer-Lock
30	322-3	2	Screw-HH
31	88-3980	2	Gas Cap ASM
31:3	88-4010	1	Gasket-Cap, Gas
32	1-633023	6	Stud
33	1-633349	6	Spring-Tank, Fuel
34	3296-47	6	Nut-Lock, NI
35	1-643234	1	Valve-Fuel, Dual Flow
36	1-303287	6	Tie-Plastic
37	93-5484	1	Hose-Fuel
38	107-8079-03	1	Panel-Control
39	106-9969	1	Decal-Panel, Control
41	1-803071	4	Screw
42	1-303435	4	Washer-Spring
43	321-6	1	Screw-HH
44	107-8073	1	Throttle-Control
45	106-9962	1	Control-Choke, Push/pull
46	1-807513	2	Bolt-CARR
47	1-513592	1	Knob-Ball

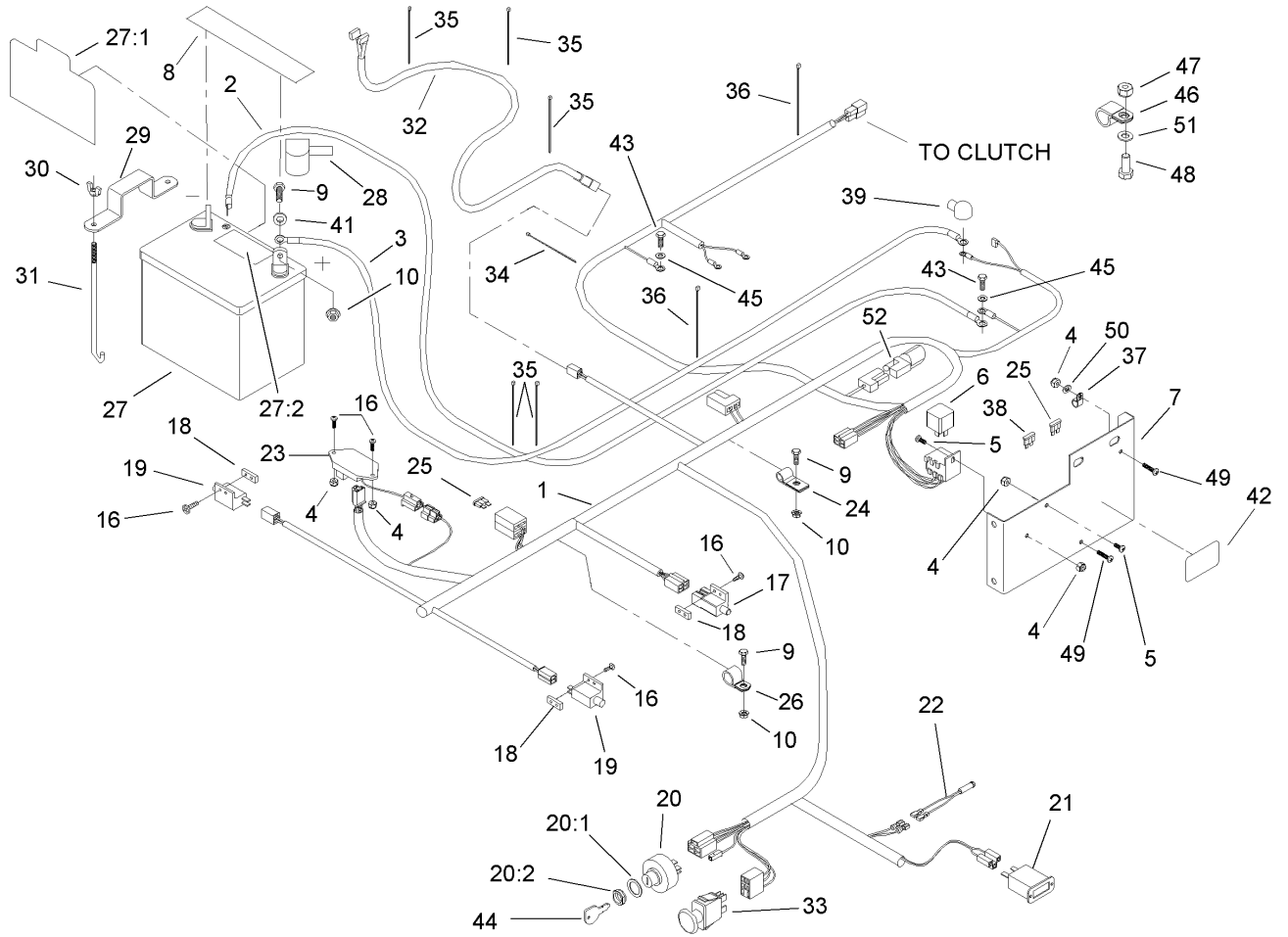




## Electrical Assembly

Ref	Part No.	Qty.	Description
1	106-7495	1	Harness-Wire
2	1-633307	1	Wire-Ground
3	1-523279	1	Wire-Battery, Positive
4	3296-2	8	Nut-Lock
5	1-803071	4	Screw
6	1-643275	2	Relay
7	103-2549-03	1	Panel-Mount, Fuse
8	105-3646	1	Decal-Warning, Battery
9	321-4	6	Screw-HH
10	32128-33	6	Nut-HF
16	3290-500	6	Screw-PPH
17	1-633111	1	Switch
18	1-633181	3	Plate-Tapped
19	1-513051	2	Switch-Open, Normally
20	88-9830	1	Key Switch ASM
20:1	3254-5	1	Washer-Tooth
20:2	218-461	1	Nut-HH
21	1-513374	1	Meter-Hour
22	1-643267	1	Indicator-Led, Red
23	100-6186	1	Module-Delay, Seat
24	1-513762	2	Clip-Loom
25	1-816001	2	Fuse-Blade Type, 20 Amp
26	103-0373	1	Clip
27	105-1692	1	Battery

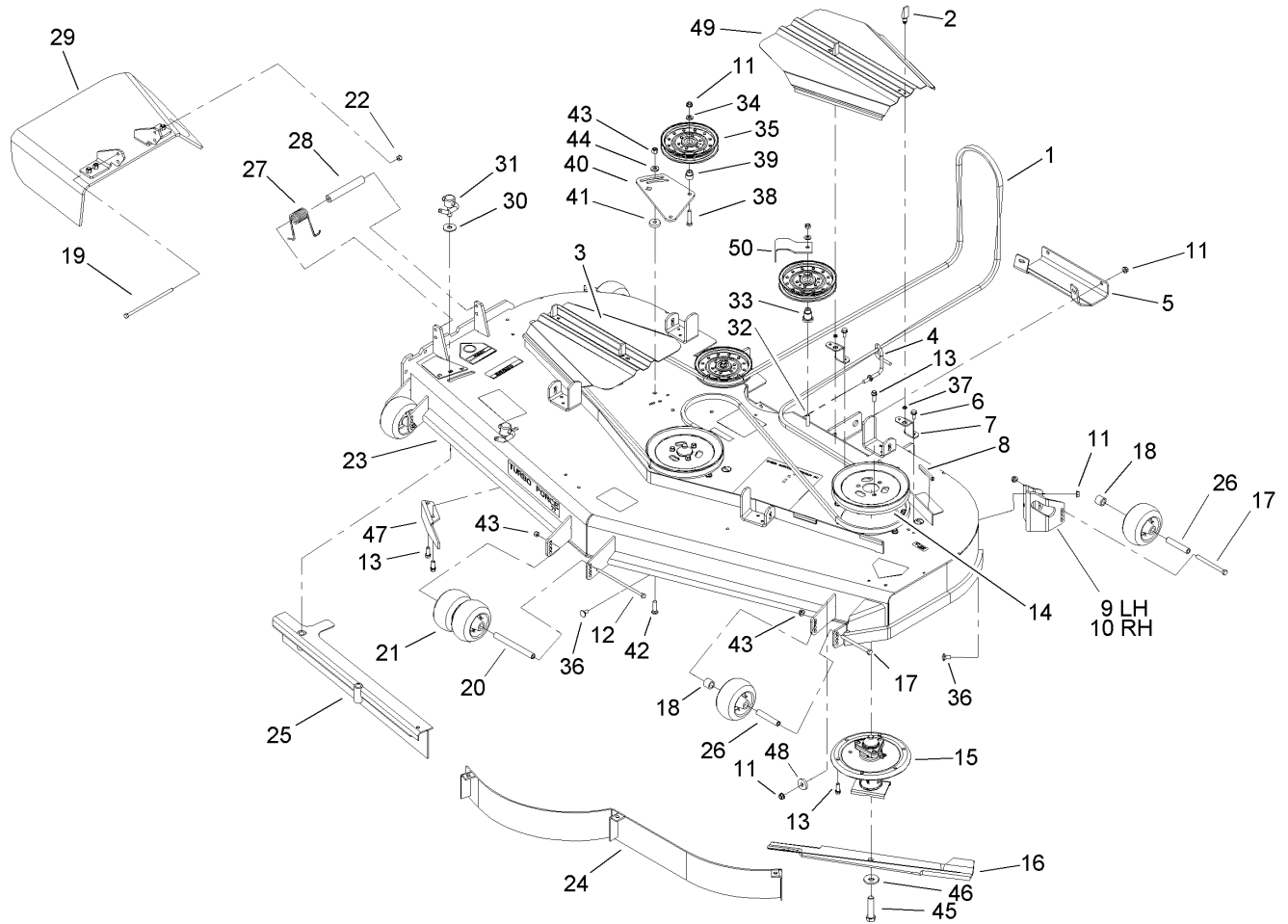
Ref	Part No.	Qty.	Description
27:1	104-4163	1	Decal-Battery
27:2	104-4164	1	Decal-Battery
28	1-543391	1	Insulator-Battery
29	1-633652-03	1	Strap-Holddown
30	1-543792	2	Wingnut
31	1-633651	2	Bolt-Holddown
32	103-1227	1	Harness-Wiring, Seat
33	1-633673	1	Switch-Delta
34	1-303287	2	Tie-Plastic
35	1-303335	5	Tie-Plastic
36	1-643115	2	Tie-Plastic
37	1-323229	1	Clip-Loom
38	1-816002	1	Fuse-Blade Type, 10 Amp
39	1-543393	1	Insulator-Solenoid
41	3256-2	2	Washer-Flat
42	103-2750	1	Decal-Relay/fuse
43	33114-016	2	Screw-HH
44	63-8360	2	Key-Ignition
45	3256-23	2	Washer-Flat
46	1-643312	1	Clip-Loom
47	3296-42	1	Nut-Lock, NI
48	321-6	1	Screw-HH
49	32105-20	2	Screw-HH
50	3256-14	2	Washer-Flat



## Electrical Assembly (continued)

Ref	Part No.	Qty.	Description
51	3256-22	2	Washer-Flat
52	103-3895	1	Diode, Tvs
●99	1-816003	1	Fuse-Blade Type, 30 Amp

Ref	Part No.	Qty.	Description

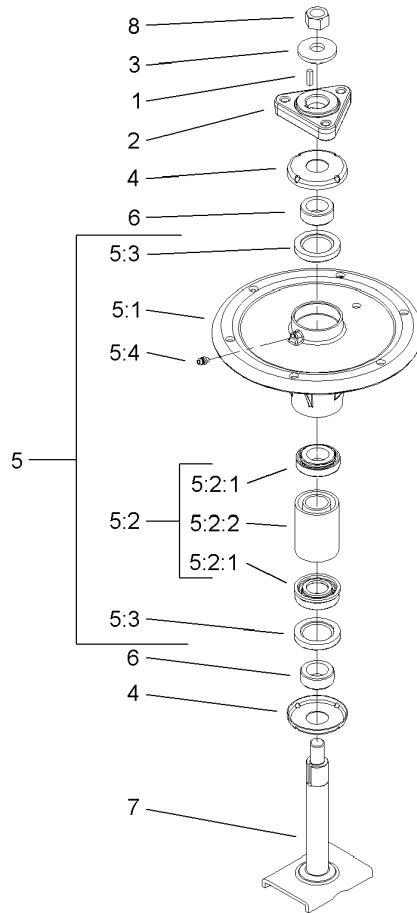


## Deck Assembly

Ref	Part No.	Qty.	Description
1	106-7350	1	Belt
2	74-5950	4	Latch-Swell
3	105-8786-01	1	Cover-Belt
4	106-3220	1	Guide-Belt
5	106-3279-01	1	Plate-Skid
6	32144-70	4	Screw-HH
7	105-8787-01	4	Bracket-Cover
8	105-7699	8	Strip-Seal
9	106-7354-01	1	Plate-Roller, LH
10	106-7355-01	1	Plate-Roller, RH
11	3290-357	38	Nut-HHF
12	323-28	1	Screw-HH
13	92-1624	33	Screw
14	105-7733	3	Pulley
15	106-3217	3	Spindle ASM
16	105-7784-03	3	Blade-Hi Flow, 24.5
17	323-23	4	Screw-HH
18	98-7913	4	Tube-Spacer
19	322-50	1	Screw-HH
20	98-5967	1	Spacer-Wheel
21	1-603299	6	Roller-Anti Scalp
22	3296-29	1	Nut-Lock, NI
23	107-1625	1	Deck ASM
24	105-7730-01	1	Baffle ASM

Ref	Part No.	Qty.	Description
25	105-7669-01	1	Baffle ASM
26	98-7912	4	Tube-Spacer
27	104-8554	1	Spring-Torsion
28	105-4622	1	Spacer
29	106-3249	1	Rubber Deflector ASM
30	105-7697	2	Washer-Plastic
31	106-3242	2	Lever ASM
32	323-12	2	Screw-HH
33	106-3214	2	Mount-Pulley
34	3256-24	3	Washer-Flat
35	1-633109	3	Idler-Flat
36	3231-1	10	Screw-CARR
37	99-3058	4	Washer
38	323-9	1	Screw-HH
39	1-603496	1	Bushing-Idler
40	105-7787-01	1	Plate-Idler
41	105-7788	2	Spacer
42	3231-4	2	Screw-CARR
43	3296-39	7	Nut-Lock, NI
44	98-5975	1	Washer-Belleville
45	103-0862	3	Screw-Cap
46	103-0865	3	Washer-Blade Bolt, Heavy
47	106-3216-01	1	Baffle-Discharge
48	112843	1	Washer

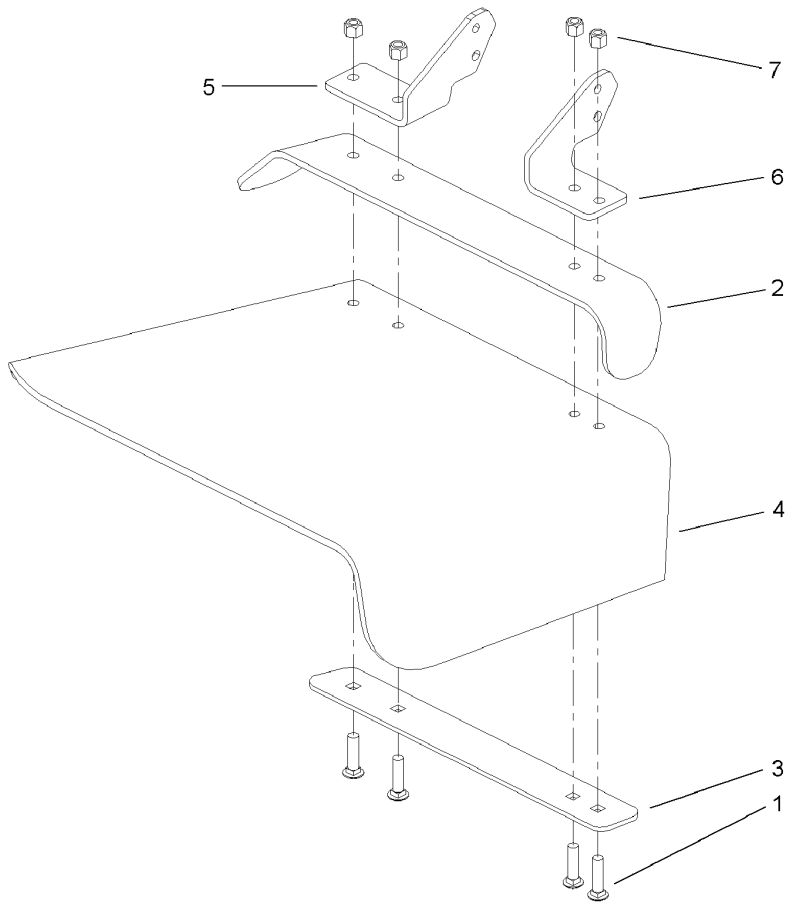




## Spindle Assembly No. 106-3217

Ref	Part No.	Qty.	Description	
1	10-8040	1	Key-Square	
2	106-3277	1	Hub-Pulley	
3	103-0865	1	Washer-Blade Bolt, Heavy	
4	106-3204	2	Shield-Bearing	
5		1	Spindle Bearing ASM	
5:1	106-3211	1	Housing-Spindle	
5:2	106-3207	1	Bearing ASM	
5:2:1	27-0960	1	Bearing ASM	
5:2:2	106-3206	1	Spacer-Set, Matched	
5:3	253-133	2	Seal-Oil	
5:4	302-5	1	Fitting-Grease	
6	106-3218	2	Spacer-Seal	
7	106-3233	1	Spindle Shaft ASM	
8	3219-6	1	Nut-Hex	



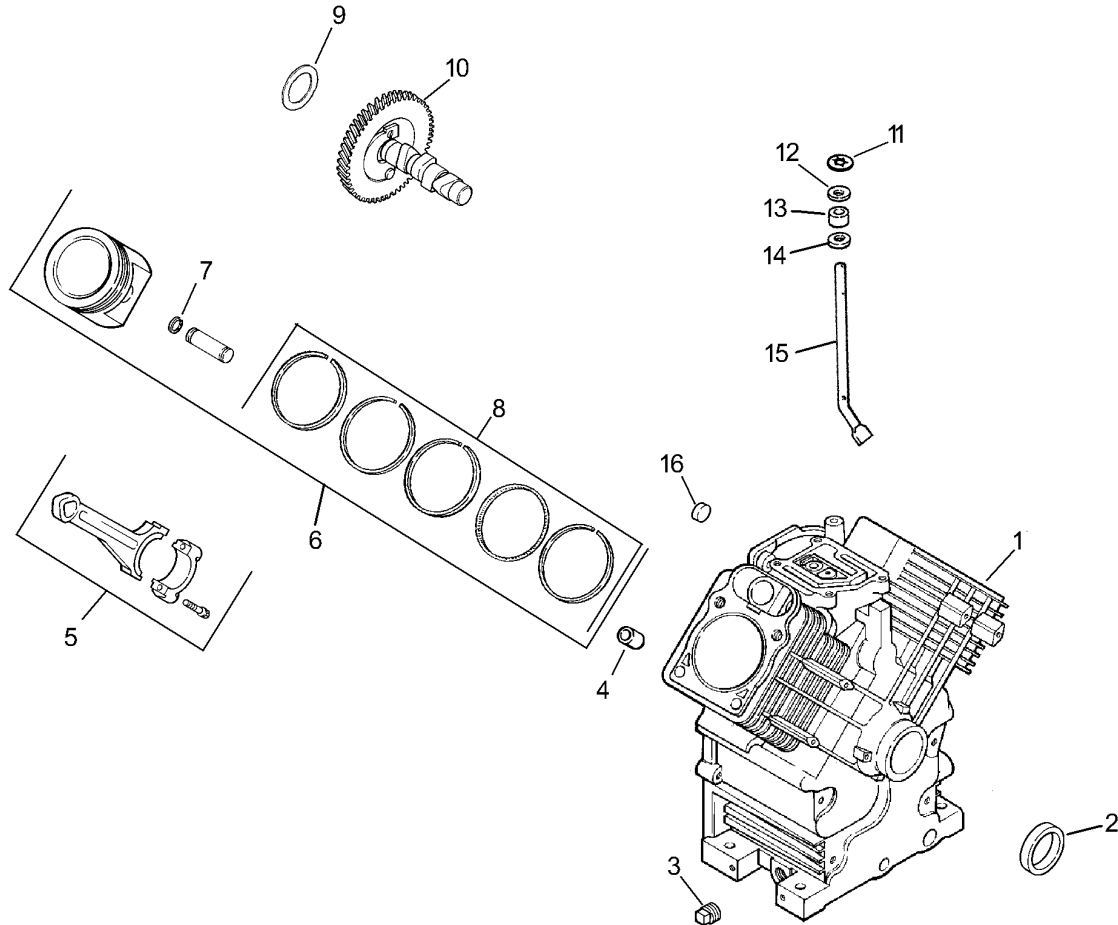


## Rubber Deflector Assembly No. 106-3249

Ref	Part No.	Qty.	Description
1	3231-4	4	Screw-CARR
2	106-3246-01	1	Deflector
3	106-3248-03	1	Strap-Discharge
4	107-1617	1	Deflector-Rubber
5	106-3252-01	1	Plate-Hinge, Rear
6	106-3253-01	1	Plate-Hinge, Front
7	3296-39	4	Nut-Lock, NI



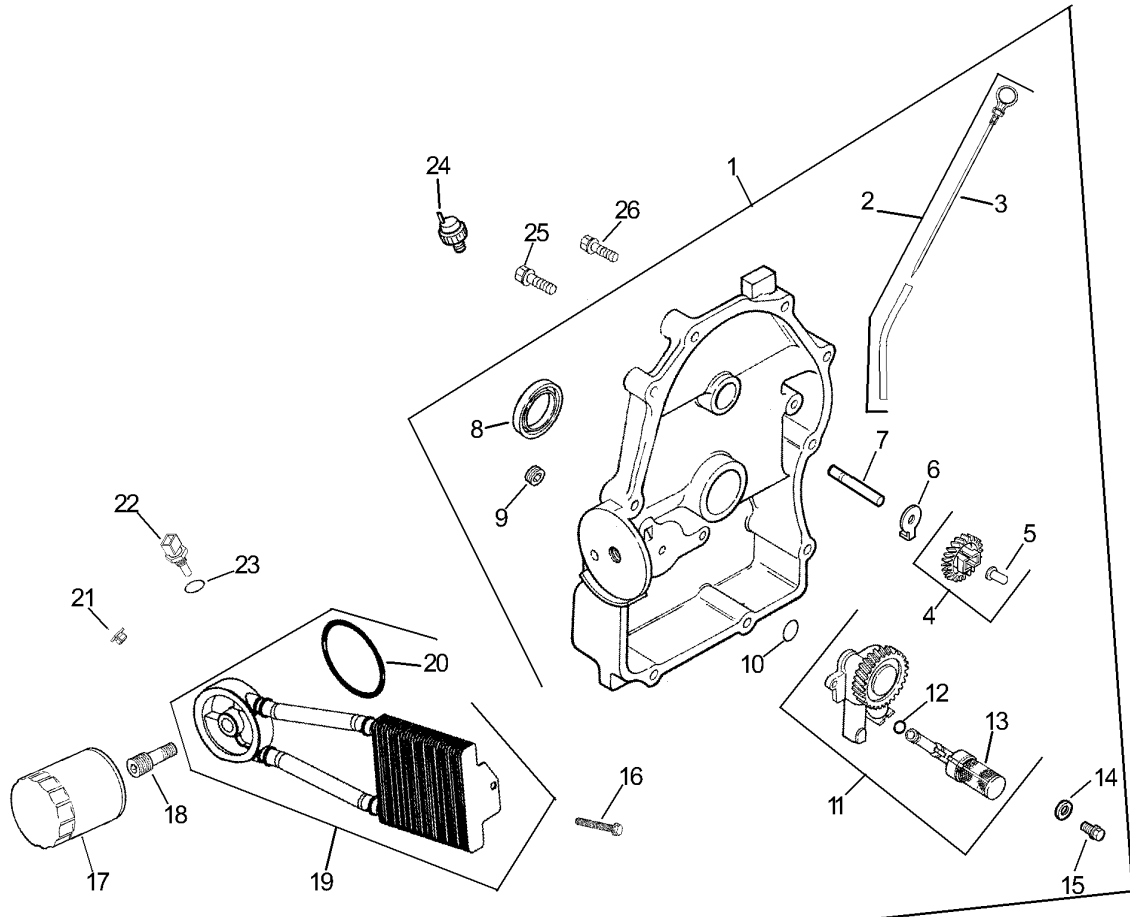




## Crankcase Assembly Kohler CH745-0003

Ref	Part No.	Qty.	Description
④1		1	Crankcase (Use: Miniblock 24 782 36)
④2	24 032 01-S	1	Seal-Oil, Front
④3	25 139 57-S	2	Plug-Solid, 3/8in N.p.t.f. SQH
④4	24 380 13-S	6	Pin-Locating
④5	24 067 13-S	2	Rod-Connecting (Std.)
④	24 067 14-S	2	Rod-Connecting (.25)
④6	24 874 08-S	2	Piston W/ring Set (Std.)(Includes 7,8)
④	24 874 16-S	2	Piston W/ring Set (.08)
④	24 874 20-S	2	Piston W/ring Set (.25)
④	24 874 21-S	2	Piston W/ring Set (.50)
④7	24 018 01-S	4	Retainer-Pin, Piston
④8	24 108 04-S	2	Set-Ring (Std)
④	24 108 06-S	2	Ring Set (.50)
④	24 108 07-S	2	Ring Set (.50)
④9	12 422 09-S	0	Shim-Camshaft (Red)
④	12 422 13-S	0	Shim-Camshaft (Black)
④	12 422 07-S	0	Shim-Camshaft (White)
④	12 422 08-S	0	Shim-Camshaft (Blue)
④	12 422 18-S	1	Shim, Camshaft-Yellow
④	12 422 11-S	0	Shim-Camshaft (Green)
④	12 422 12-S	0	Shim-Camshaft
④10	24 012 10-S	1	Camshaft

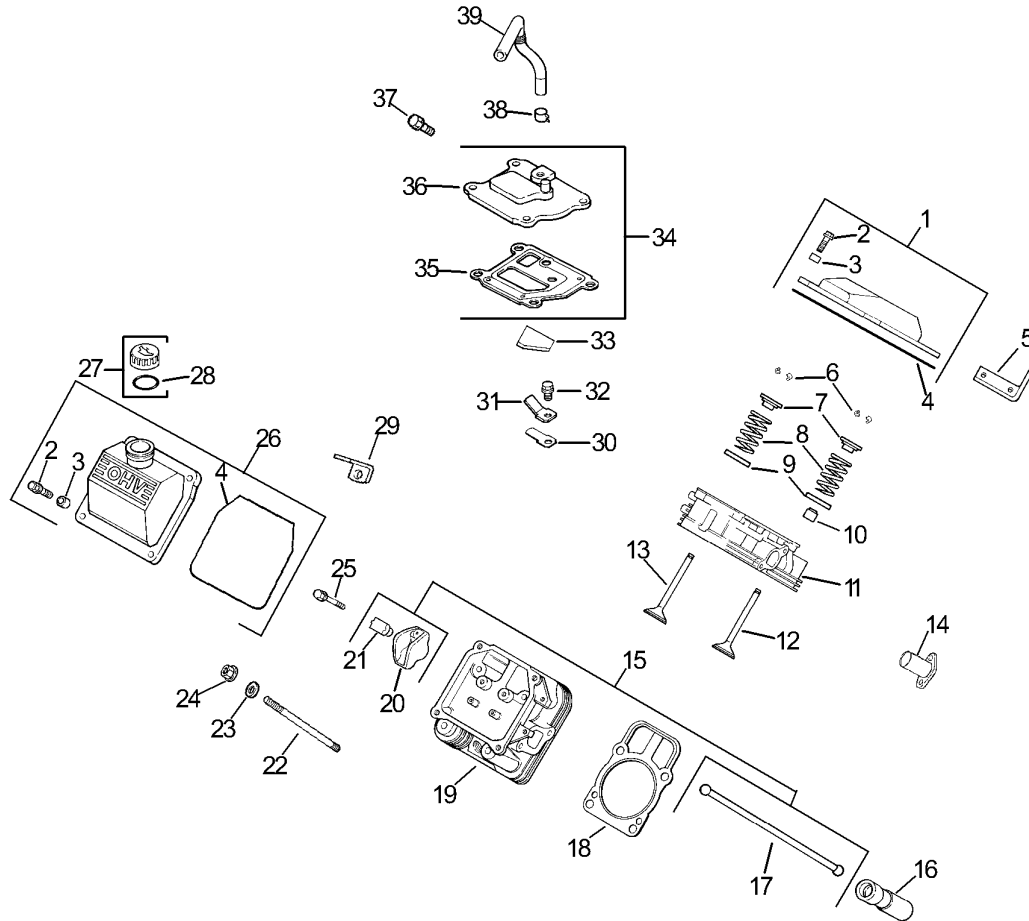
Ref	Part No.	Qty.	Description
④11	24 018 09-S	1	Ring-Retainer
④12	M-931010-S	1	Washer-Nylon
④13	28 032 09-S	1	Seal-Cross Shaft, Governor
④14	24 468 15-S	1	Washer
④15	24 144 38-S	1	Shaft-Cross, Governor
④16	52 139 09-S	1	Plug-Cup



## Oil Pan/Lubrication Assembly Kohler CH745-0003

Ref	Part No.	Qty.	Description
④1	24 009 83-S	1	Plate Assembly, Closure (Includes 2-15)
④2	24 755 121-S	1	Kit, Dipstick And Tube (Includes 3)
④3	24 038 10-S	1	Dipstick
④4	24 043 12-S	1	Kit, Governor Gear (Includes 5)
④5	12 380 01-S	1	Pin-Regulating, Governor
④6	24 448 01-S	1	Tab, Locking
④7	12 144 02-S	1	Shaft-Gear, Governor
④8	52 032 08-S	1	Seal-Oil
④9	25 139 60-S	1	Plug-Pipe, 1/8in Allen Head
④10	24 153 08-S	1	O-Ring
④11	24 393 37-S	1	Pump Assembly, Oil (Includes 12,13)
④12	24 153 01-S	1	O-Ring
④13	24 381 04-S	1	Pick Up-Oil
④14	M-631005-S	2	Washer-Plain, 6mm
④15	M-645025-S	1	Screw-Hf, M6x1.0x25
④16	25 086 49-S	2	Screw-Tapping 1/4-1x3/4"
④17	52 050 02-S	1	Filter-Oil
④18	24 136 05-S	1	Nipple, Oil Filter
④19	24 594 31-S	1	Cooler, Oil (Includes 20)
④20	24 153 21-S	1	O-Ring, Oil Cooler
④21	24 100 01-S	2	Nut-Plastic
④22	24 418 12-S	1	Sensor, Temperature

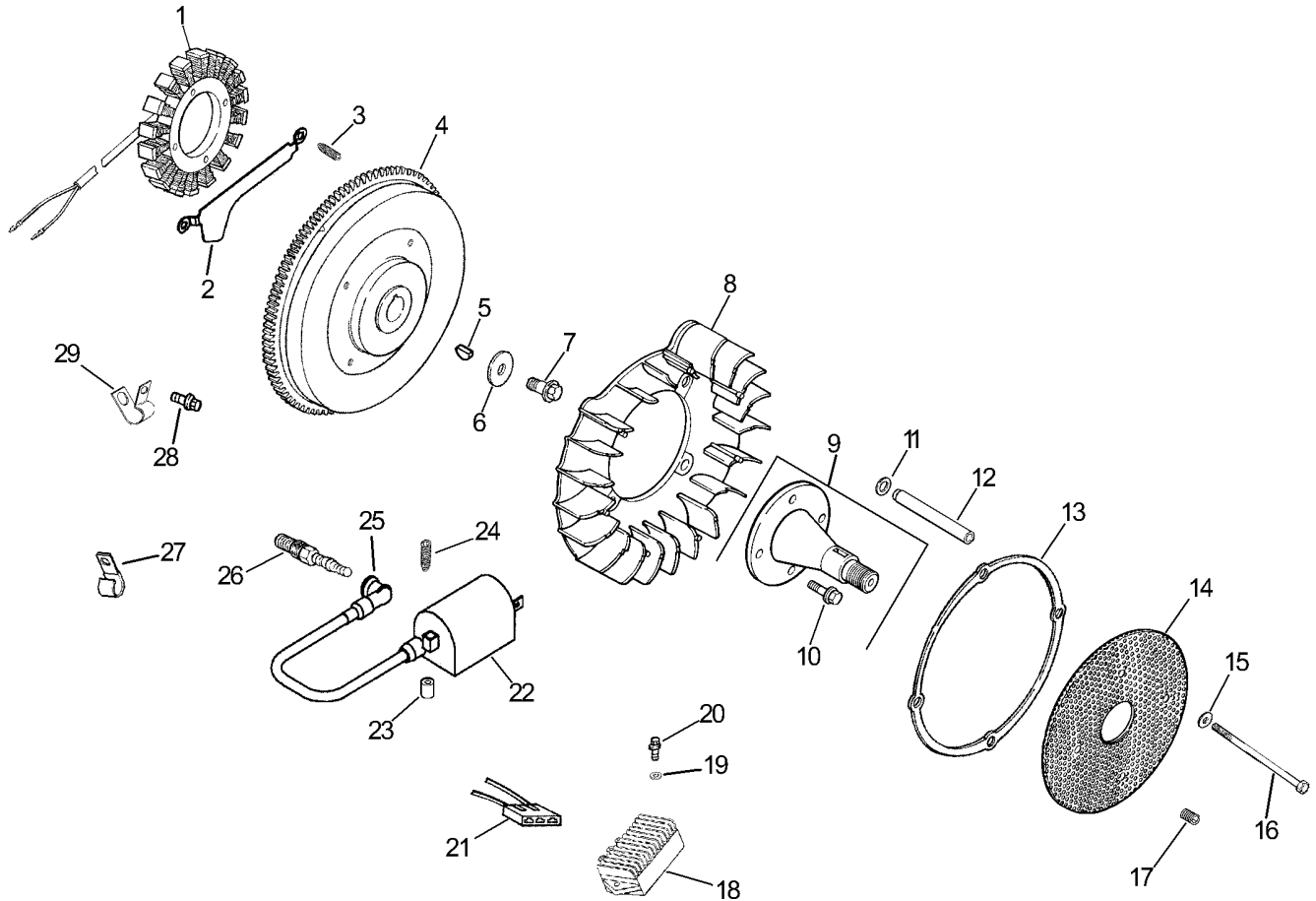
Ref	Part No.	Qty.	Description
④23	12 153 04-S	1	O-Ring, Oil Pick-Up
④24	24 099 03-S	1	Switch-Pressure, Oil
④25	24 086 16-S	9	Screw-Hf, M8x1.25x45
④26	24 086 17-S	1	Screw-Hf, M8x1.25x45
①④	24 113 25-S	1	Decal-Cooler, Oil



## Head/Valve/Breather Assembly Kohler CH745-0003

Ref	Part No.	Qty.	Description
1	24 755 74-S	1	Kit, Valve Cover-Plain (Includes 2-4)
2	M-651030-S	4	Screw-Hf, M6x1.0x30
3	24 112 08-S	4	Spacer
4	24 153 23-S	1	O-Ring
5	24 445 01-S	1	Strap-Lifting
6	12 755 03-S	4	Retainer Kit
7	12 173 01-S	4	Cap-Spring, Valve
8	24 089 02-S	4	Spring-Valve
9	235011-S	4	Retainer-Spring
10	66 032 05-S	4	Seal-Stem, Valve
11	24 318 65-S	1	Head ASM
12	24 017 01-S	2	Valve-Intake (Std.)
13	24 017 02-S	2	Valve-Intake (.25)
14	24 016 01-S	2	Valve-Exhaust (Std.)
15	24 016 02-S	2	Valve-Exhaust (.25)
16	24 605 01-S	1	Liner, Exhaust Port
17	24 755 66-S	1	Kit, Valve Train (Includes 17,20,21)
18	25 351 01-S	4	Lifter-Valve
19	24 411 05-S	4	Rod-Push
20	24 041 37-S	2	Gasket-Head, Cylinder
21	24 318 66-S	1	Head ASM
22	25 186 01-S	4	Arm-Rocker
23	24 599 01-S	2	Pivot-Arm, Rocker

Ref	Part No.	Qty.	Description
24	24 072 09-S	8	Stud-M10x1.5x90
25	24 468 16-S	8	Washer-Flat
26	24 100 10-S	8	Nut-Hf, M8x1.25
27	M-640034-S	4	Screw-Hf, M6x1.0x34
28	24 755 75-S	1	Kit, Valve Cover-Oil Fill (Includes 2-4)
29	24 755 46-S	1	Kit, Oil Fill Cap (Includes 28)
30	25 153 02-S	1	O-Ring
31	12 445 05-S	1	Strap-Lifting
32	24 402 03-S	1	Reed-Breather
33	66 018 04-S	1	Retainer-Reed, Breather
34	M-545010-S	1	Screw-Hf, M5x0.8x10
35	24 050 01-S	1	Filter-Breather
36	24 033 01-S	1	Kit, Breather (Includes 35,36)
37	24 041 50-S	1	Gasket, Breather
38	24 096 86-S	1	Cover-Breather
39	M-645020-S	4	Screw-Hf, M6x1.0x20
40	24 326 68-S	1	Hose, Breather
41	25 452 01-S	1	Terminal

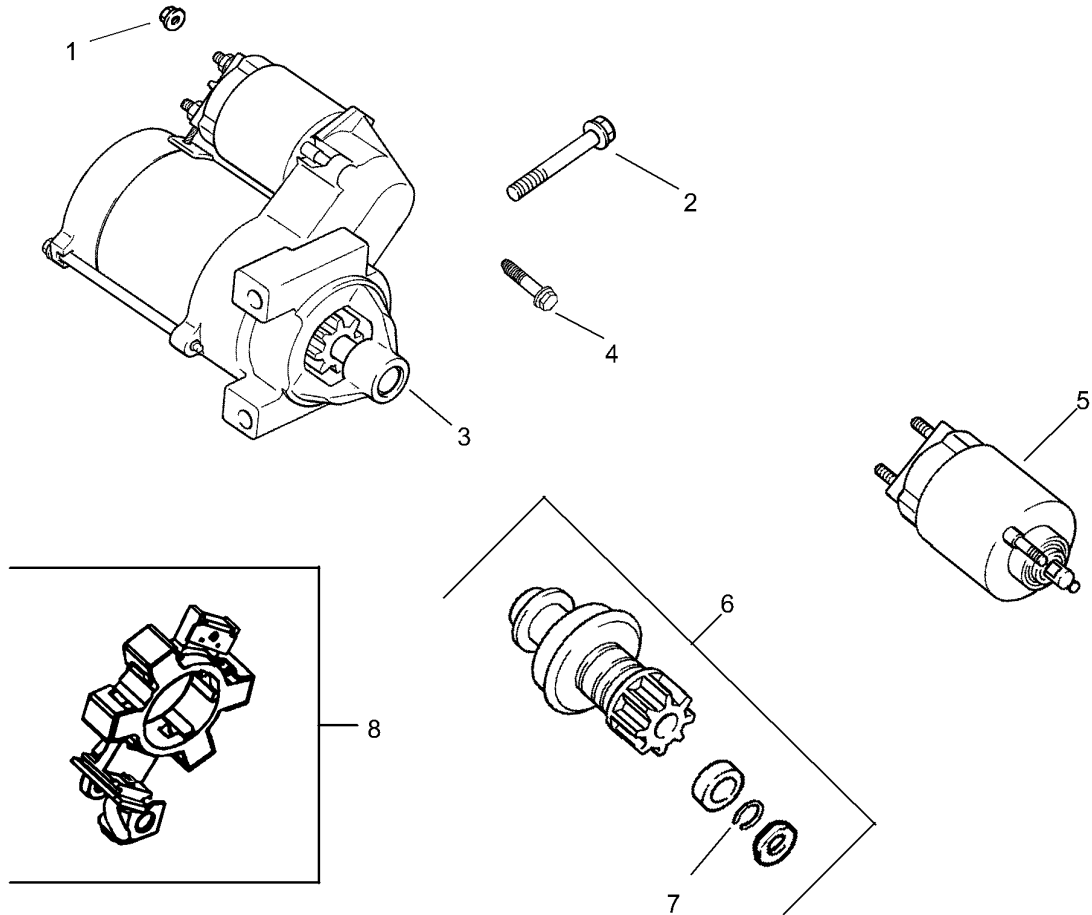


## Ignition/Electrical Assembly Kohler CH745-0003

Ref	Part No.	Qty.	Description
④1	28 085 02-S	1	Kit, Stator W/connectors (Includes 2,40)
④2	25 086 29-S	2	Screw, Tapping 10-24x1in
④3	24 126 71-S	1	Bracket-Wire, Stator
④4	24 025 09-S	1	Flywheel
④5	X-42-15-S	1	Key
④6	12 468 03-S	1	Washer-Plain, 3/8in
④7	12 086 14-S	1	Screw-Hf, M10x1.5x46
④8	24 157 04-S	1	Fan
④14	24 755 08-S	1	Kit, Front Drive Shaft (Includes 10)
④10	M-839025-S	4	Screw-Hf, M8x1.25x25
④11	24 468 11-S	4	Washer-Spring
④12	24 112 14-S	4	Spacer
④13	24 141 06-S	2	Ring-Support
④14	24 162 22-S	1	Screen-Grass
④15	X-25-53-S	4	Washer-Plain, 1/4in
④16	M-603100-S	4	Screw-Hex. Hd., M6x1.0x100
④17	25 086 43-S	1	Screw-Set
④18	25 403 05-S	1	Rectifier-Regulator 25 Amp
④19	X-25-92-S	2	Washer-Plain, 3/16in
④20	24 086 18-S	1	Screw-Phillips Head, 11-16x7/8
④21	236602-S	1	Connector
④22	24 519 02-S	2	Coil-Ignition
④23	24 112 16-S	4	Spacer

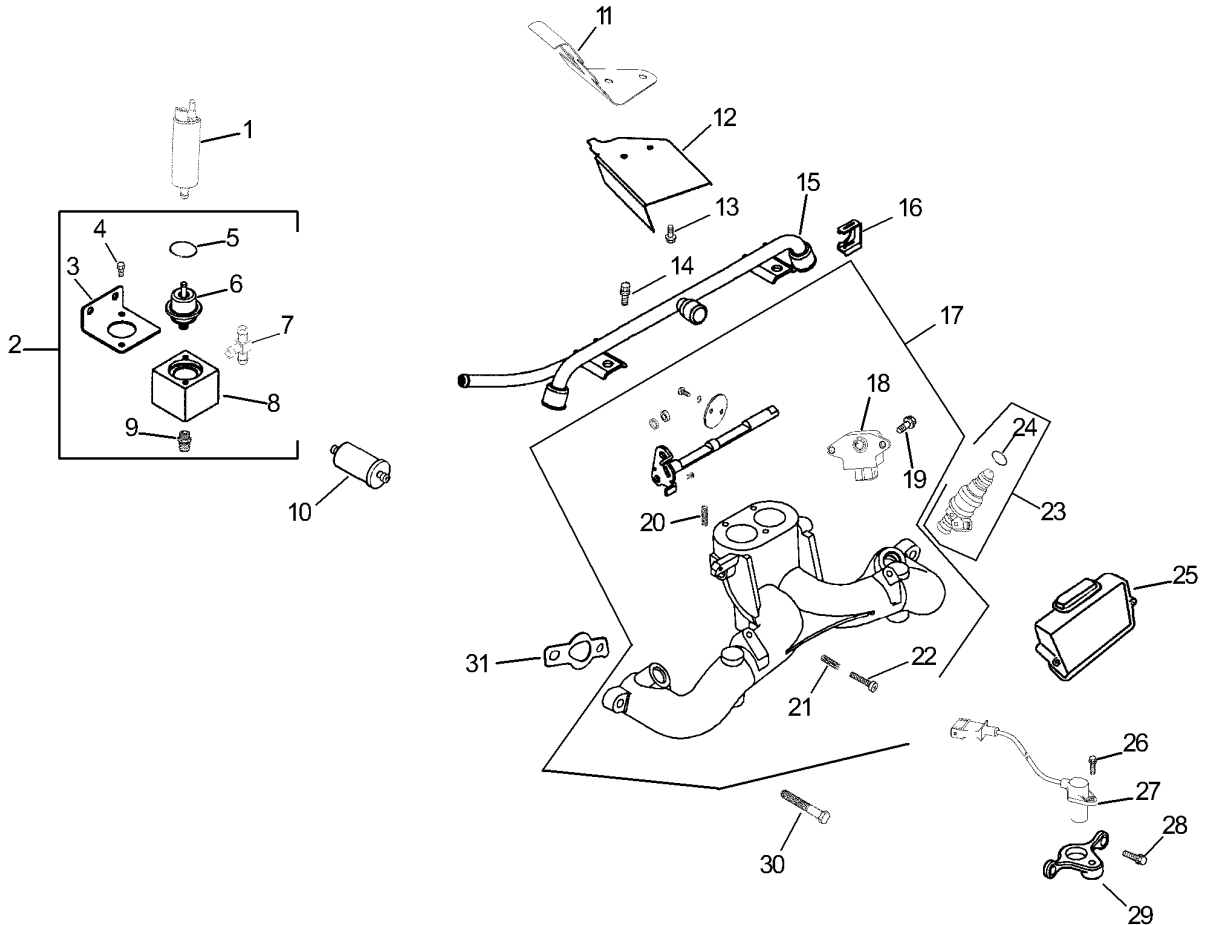
Ref	Part No.	Qty.	Description
④24	24 086 48-S	4	Screw, Tapping
④25	24 131 02-S	1	Spark Plug Boot ASM
④26	12 132 06-S	2	Spark Plug
④27	48 154 02-S	1	Clip-Cable
④28	M-545016-S	1	Screw-Hf, M5x0.8x16
④29	25 237 06-S	1	Clamp-Hose
①④	24 100 01-S	2	Nut-Plastic
①④	24 518 12-S	1	Lead-Black (5in, 12 Gauge, Insulated Grip Barrel Eyelet Terminals)
①④	X-22-11-S	1	Washer-Lock, 1/4in
①④	12 454 03-S	1	Tie-Wire





## Starting System Assembly Kohler CH745-0003

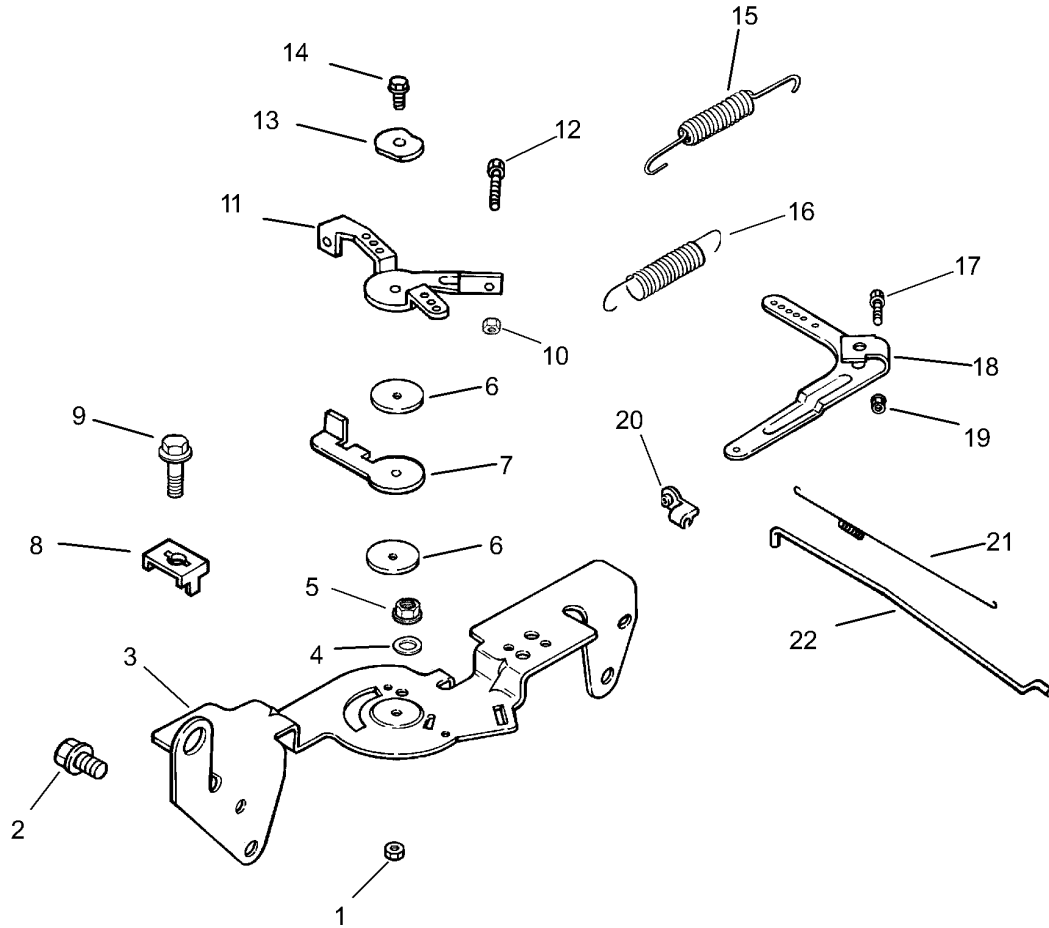
Ref	Part No.	Qty.	Description				
1	M-841080-S	1	Nut-Hf, M8x1.25				
2	M-851080-S	2	Screw, Hex. Flange M8x1.25x80				
3	25 098 09-S	1	Starter, Solenoid Shift (Includes 4-8)				
4	25 086 113-S	3	Screw-Torx Head, External				
5	25 435 05-S	1	Kit, Solenoid (Includes 4)				
6	25 755 33-S	1	Kit, Starter Pinion (Includes 7)				
7	25 141 05-S	1	Ring				
8	25 221 01-S	1	Brush Kit				



## Fuel System Assembly Kohler CH745-0003

Ref	Part No.	Qty.	Description
1	24 393 20-S	1	Pump Assembly, Fuel(Includes 24 050 06-S)
2	24 403 12-S	1	Regulator Assembly, Fuel Pressure (Includes 3-9)
3	24 126 86-S	1	Bracket-Regulator, horizontal
4	M-410010-S	2	Screw-HH
5	24 153 18-S	1	O-Ring
6	24 403 02-S	1	Regulator-Pressure
7	24 294 15-S	1	Fitting-Tee
8	24 081 12-S	1	Housing-Regulator, horizontal
9	25 326 03-S	1	Connector, Straight Hose
10	24 050 03-S	1	Filter-Fuel
11	24 063 37-S	1	Baffle-Valley
12	24 265 08-S	1	Deflector-Air
13	M-545010-S	2	Screw-Hf, M5x0.8x10
14	M-639010-S	1	Screw-HF
15	24 399 04-S	1	Rail-Fuel
16	24 154 05-S	2	Clip, Fuel Injector
17	24 164 84-S	1	Manifold Assembly, Intake (Includes 18-22 & 25 454 03-S)
18	24 418 06-S	1	Sensor-Position, throttle
19	M-442012-S	2	Screw, Pan Head
20	24 086 49-S	1	Screw, Set
21	12 089 11-S	1	Spring-Control, Speed
22	M-442025-S	1	Screw-HH

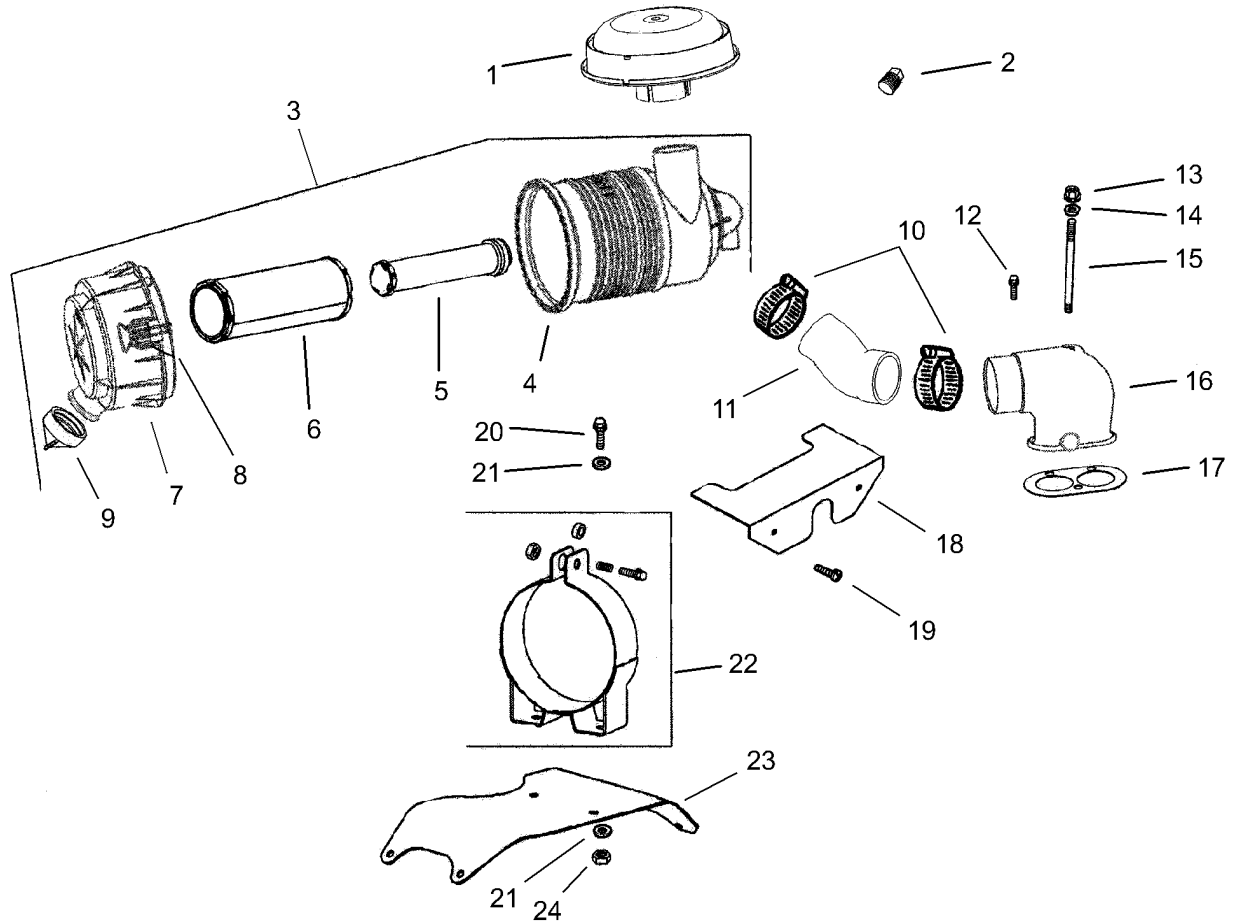
Ref	Part No.	Qty.	Description
23	24 331 02-S	2	Injector, Fuel (Includes 24)
24	24 153 26-S	2	O-Ring, Fuel Injector
25	24 584 29-S	1	Control Unit, Electronic (Ecu)
26	24 086 42-S	1	Screw-HF
27	24 418 03-S	1	Sensor, Engine Speed
28	M-545016-S	1	Screw-Hf, M5x0.8x16
29	24 126 69-S	1	Bracket-Sensor, speed
30	M-639025-S	4	Screw-HF
31	24 041 01-S	2	Gasket-Manifold, Intake
32	24 755 129-S	1	Kit, Fuel Pump Rebuild (Includes 33,34)
33	X-22-5-S	1	Washer, Lock
34	24 176 117-S	1	Harness, Wiring(Includes 24 404 02-S)
35	24 404 02-S	1	Relay, Mini
36	25 454 04-S	1	Tie, Wire
37	24 113 78-S	1	Decal, Fuel Warning



## Engine Control Assembly Kohler CH745-0003

Ref	Part No.	Qty.	Description
①	M-547050-S	1	Nut-Hex. Lock, M5x0.8
②	M-645016-S	4	Screw-Hf, M6x1.0x16
③	24 126 56-S	1	Bracket-Control
④	X-20-1-S	1	Washer-Lock, 1/4in
⑤	M-541050-S	1	Nut-Hf, M5x0.8
⑥	24 468 01-S	2	Washer-Plain, 1/4in
⑦	24 090 07-S	1	Lever-Actuator, Throttle
⑧	12 237 01-S	1	Clamp-Cable
⑨	M-545016-S	2	Screw-Hf, M5x0.8x16
⑩	M-446030-S	1	Nut-Hf, M4x0.7
⑪	24 090 03-S	1	Lever-Control, Throttle
⑫	M-401030-S	1	Screw-Hf, M4x0.7x30
⑬	41 468 03-S	1	Washer-Spring, 1/4in
⑭	M-545020-S	1	Screw-Hf, M5x0.8x20
⑮	24 089 51-S	1	Spring-Limiter, Throttle
⑯	24 089 48-S	1	Spring-Governor
⑰	24 211 03-S	1	Bolt-Round Head Square Neck, M6x1.0x25
⑱	24 090 33-S	1	Lever-Governor
⑲	M-641060-S	1	Nut-Hf, M6x1.0
⑳	25 158 11-S	1	Bushing-Retaining, Linkage
㉑	24 089 32-S	1	Spring-Linkage
㉒	24 079 13-S	1	Linkage-Throttle

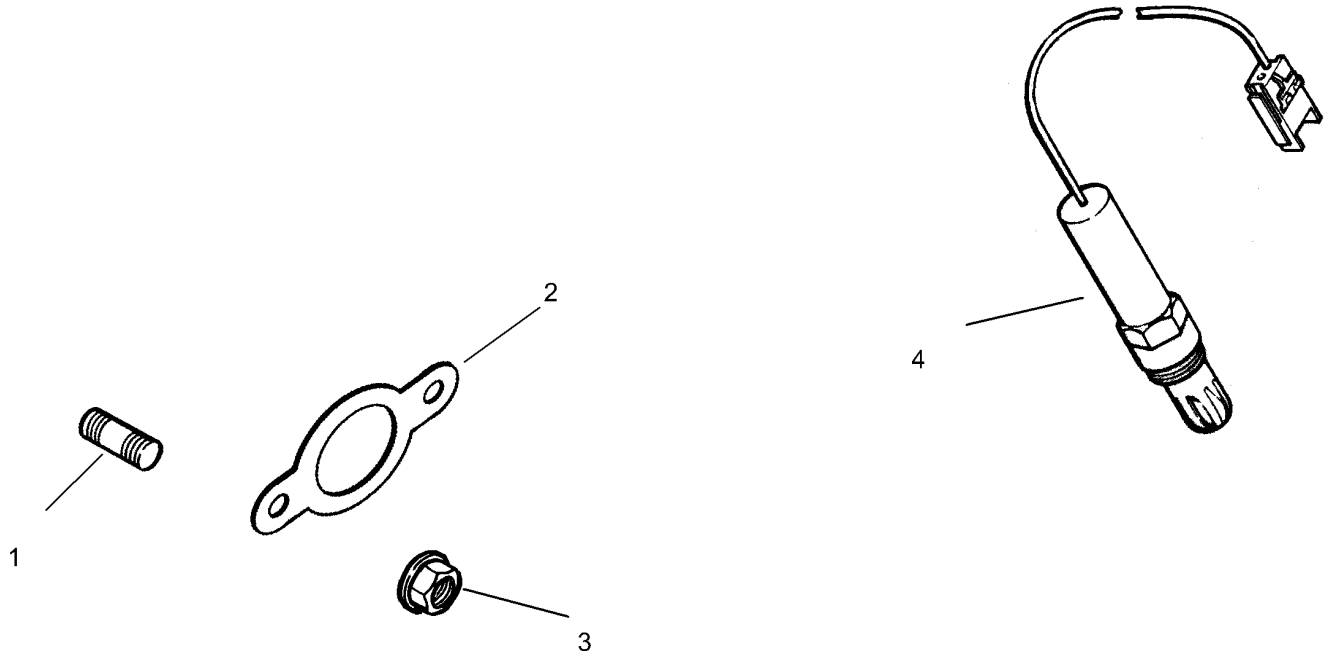
--	--	--	--



## Air Intake/Filtration Assembly Kohler CH745-0003

Ref	Part No.	Qty.	Description
1	25 126 02-S	1	Air Cleaner Bracket ASM
2	25 139 20-S	1	Plug-Pipe
3	25 048 07-S	1	Cleaner Assembly, Heavy-Duty Air (Includes 4-9)
4	25 081 01-S	1	Housing-Heavy Duty Air Cleaner
5	25 083 04-S	1	Element-Air, Safety
6	25 083 01-S	1	Element-Air, Primary
7	25 096 06-S	1	Cover Assembly, Heavy-Duty Air (Includes 8,9)
8	25 154 02-S	2	Clip
9	24 462 07-S	1	Valve-Dust Ejector
10	25 237 07-S	2	Clamp, Hose
11	24 326 32-S	1	Hose, Air Cleaner
12	M-644025-S	2	Screw-HSH
13	M-641060-S	2	Nut-Hf, M6x1.0
14	25 468 01-S	1	Washer-Copper
15	M-629122-S	1	Stud-Carburetor
16	24 029 28-S	1	Adapter-Intake, Air
17	24 041 36-S	1	Gasket-Base, Aircleaner
18	24 314 28-S	1	Shield, Debris
19	24 086 06-S	2	Screw-Phillips Head, 11-16x3/4in
20	M-639016-S	2	Screw-Hf, M6x1.0x16
21	X-25-73-S	1	Washer-Plain
22	25 126 02-S	1	Air Cleaner Bracket ASM

Ref	Part No.	Qty.	Description
23	24 126 98-S	1	Bracket, Air Cleaner
24	M-647060-S	1	Nut-Hex Lock
25	24 113 14-S	1	Decal-Maintenance,engine



## Exhaust Assembly Kohler CH745-0003

Ref	Part No.	Qty.	Description
④1	25 072 04-S	4	Stud-M8x1.25x33
④2	24 041 49-S	2	Gasket-Exhaust
④3	M-841080-S	4	Nut-Hf, M8x1.25
④4	24 418 05-S	1	Sensor-Oxygen
①④	24 782 36	1	Miniblock
①④	24 755 109-S	1	Gasket Set

--	--	--	--

# Attachments and Accessories

For 74256 - Z588E Z Master, With 72in TURBO FORCE Side Discharge Mower

Product Name	Model/Part
BELT-SEAT .....	100-4928
Blade-Mid Flow, 24.5in .....	105-7711-03
Blade-Lo Flow, 24.5in .....	105-7712-03
Blade-Atomic, 24.5in .....	105-7719-03
Blade-Recycler, 24.5in .....	105-7778-03
Blade-Hi Flow, 24.5in .....	105-7784-03
Recycler Kit, 72in .....	107-1612
Hitch Kit .....	99-8925

## NOTES

## NOTES

## NOTES

