



Mid-Size ProLine, T-Bar, Gear Drive 15 HP with 44in Side Discharge Mower

Model No. 30326 - 250000001 and up.

Parts Catalog

Ordering Replacement Parts

To order replacement parts, please supply the part number, the quantity, and the description of each part desired.

Understanding Reference Numbers

Each identified part in an illustration has a reference number. The reference number for a part also appears in the parts list, along with other information about the part.

This catalog uses two special reference number formats, one to indicate parts in a service assembly and another to indicate the quantity of a given part in an illustration.

Service Assembly Reference Numbers

Parts in service assemblies have reference numbers in the form a:b. The a represents the reference number of the entire service assembly and the b represents a sequential number unique to each part within the service assembly.

For example, a wheel assembly might be identified by reference number 6, the tire by 6:1, the valve by 6:2, and the wheel by 6:3. When you order the assembly identified by reference number 6, you receive all parts identified by reference numbers 6:1, 6:2, and 6:3. However, you may also order any part individually. Reference numbers of this type appear in illustrations and in part lists.

Reference Numbers Indicating Quantity

In an illustration, if a reference number indicates more than one part, the reference number has the form nX y. The n represents the quantity of the part, the X is the multiplication symbol, and the y represents the reference number.

For example, in an illustration, the reference number 2X 37 means that two of the parts identified by reference number 37 are indicated.

Contents

Description	Page	Description	Page
Engine Installation Assembly 3	Piston and Crankshaft Assembly Kawasaki FH430V-AS28 18
Fuel Tank Assembly 4	Valve and Camshaft Assembly Kawasaki FH430V-AS28 19
Lower Control Assembly 5	Lubrication Equipment Assembly Kawasaki FH430V-AS28 20
Transmission Drive Assembly 6	Cooling Equipment Assembly Kawasaki FH430V-AS28 21
Wheel Drive and Brake Assembly 7	Electrical Equipment Assembly Kawasaki FH430V-AS28 22
Upper Handle Assembly 8	Control Equipment Assembly Kawasaki FH430V-AS28 23
Control Panel Assembly 9	Carburetor Assembly Kawasaki FH430V-AS28 24
Carrier Frame Assembly 10	Air Filter and Muffler Assembly Kawasaki FH430V-AS28 25
Spindle, Pulley and Belt Assembly 11	Fuel Valve Assembly Kawasaki FH430V-AS28 26
Spindle Assembly No. 106-0786 12	Starter Assembly Kawasaki FH430V-AS28 27
Spindle Assembly No. 106-0784 13	Decal Assembly Kawasaki FH430V-AS28 28
Deck Assembly 14	Attachments and Accessories List 29
Deflector Assembly No. 107-4194 15		
Drive Belt and Tensioner Assembly 16		
Cylinder and Crankcase Assembly Kawasaki FH430V-AS28 17		

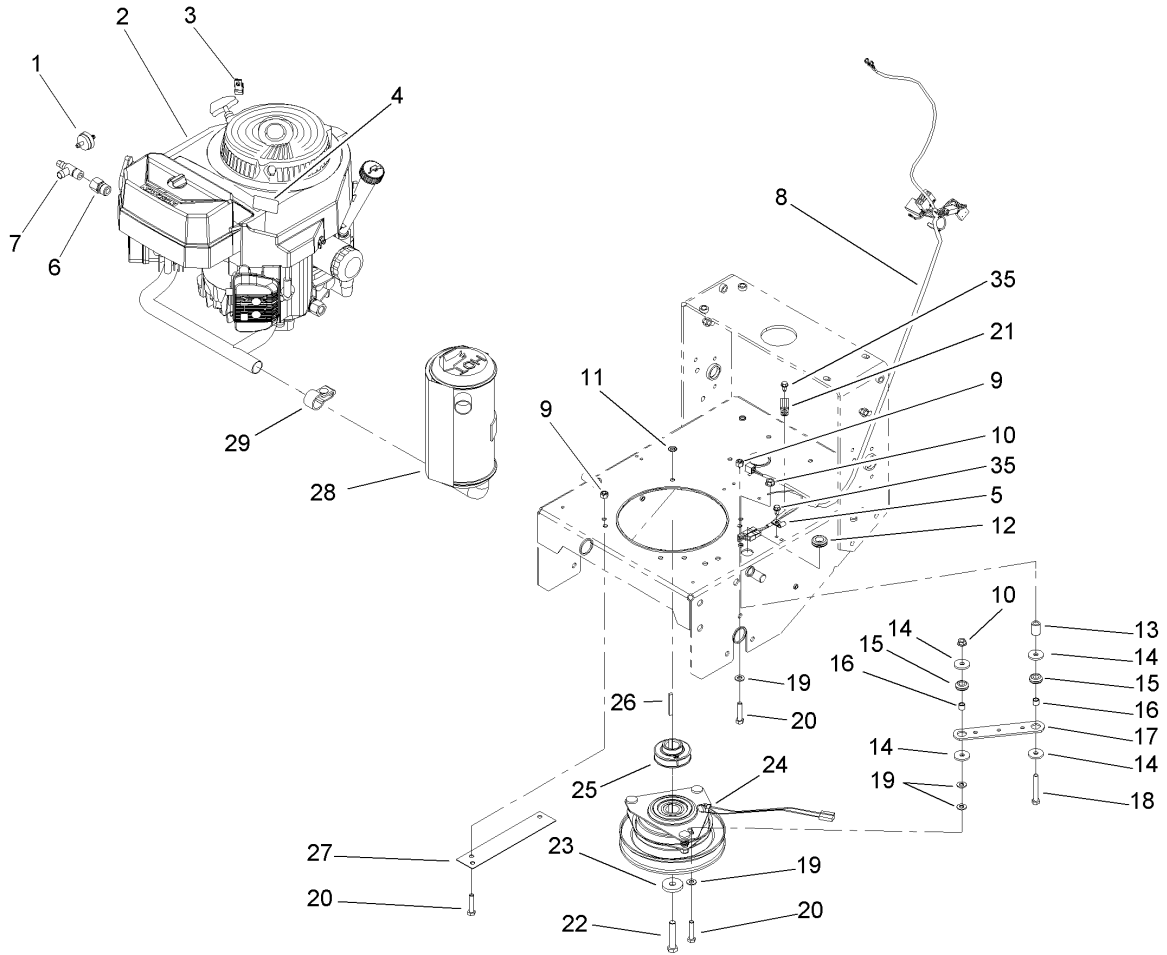
Part Description Abbreviations

Part descriptions in this catalog may include the following abbreviations.

AR. as required	HWHTF. hex washer head thread forming
ASM. assembly	HYD. hydraulic
CARR. carriage	INC. incorporated
DEG. degrees	LH. left hand
EXT. external	NI. nylon insert
FH. flat head	NPTF. national pipe thread fine
GA. gauge	PPH. phillips pan head
HF. hex flange	PRH. phillips round head
HH. hex head	PTH. phillips truss head
HHF. hex head flange	PTO. power take off
HHFTF. hex head flange thread forming	RH. right hand
HJ. hex jam	ROPS. roll over protection system
HLH. hex lag head	SFH. slotted fillister head
HOC. height-of-cut	SHH. slotted hex head
HS. hex	SHWH. slotted hex washer head
HSBH. hex socket button head	SPH. slotted pan head
HSFH. hex socket flat head	SQH. square head
HSH. hex socket head	SRH. slotted round head
HWH. hex washer head	STD. standard

Footnotes

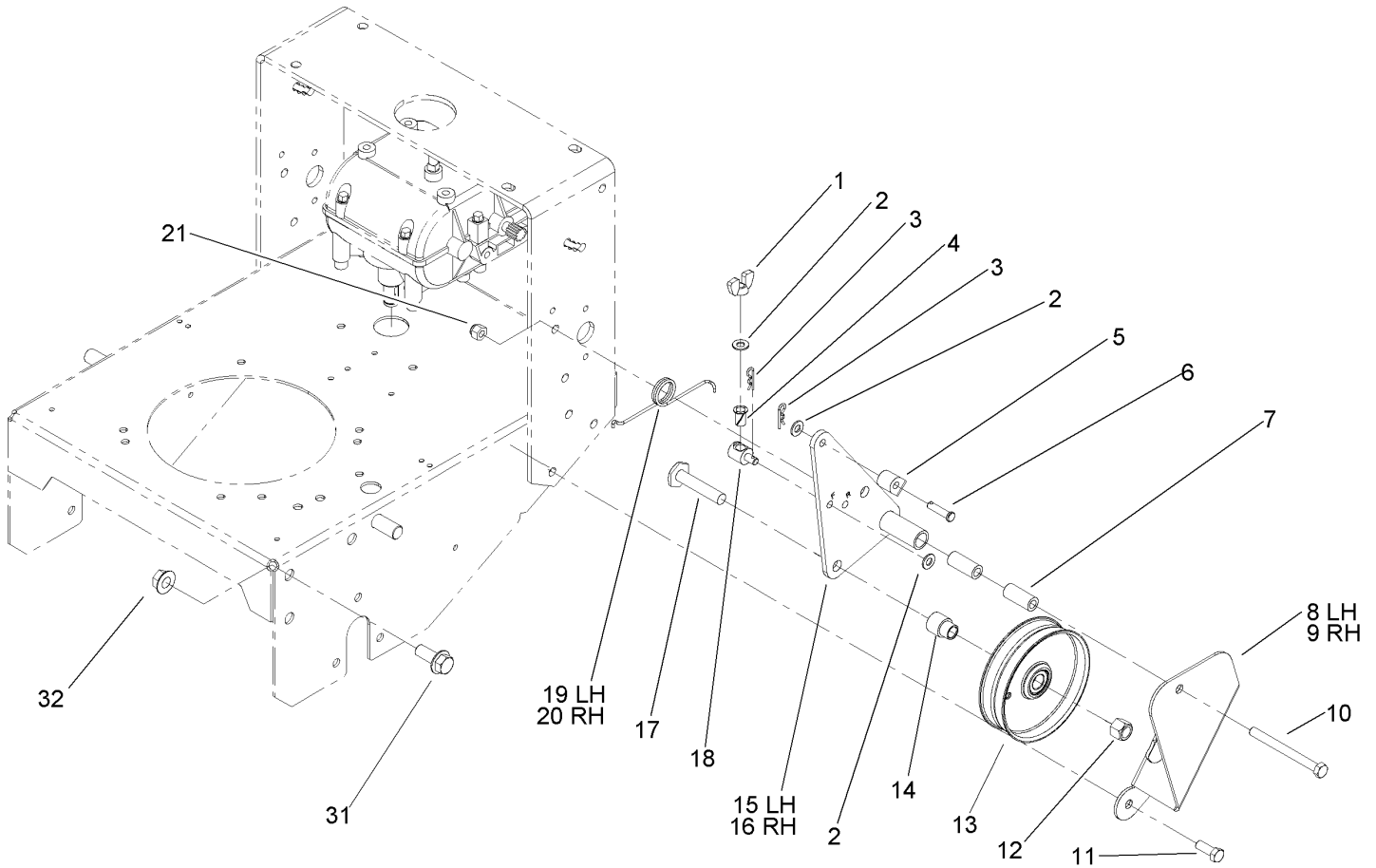
- ❶ Not illustrated
- ❷ Not serviced separately
- ❸ Obtain parts from your local Kawasaki dealer



Engine Installation Assembly

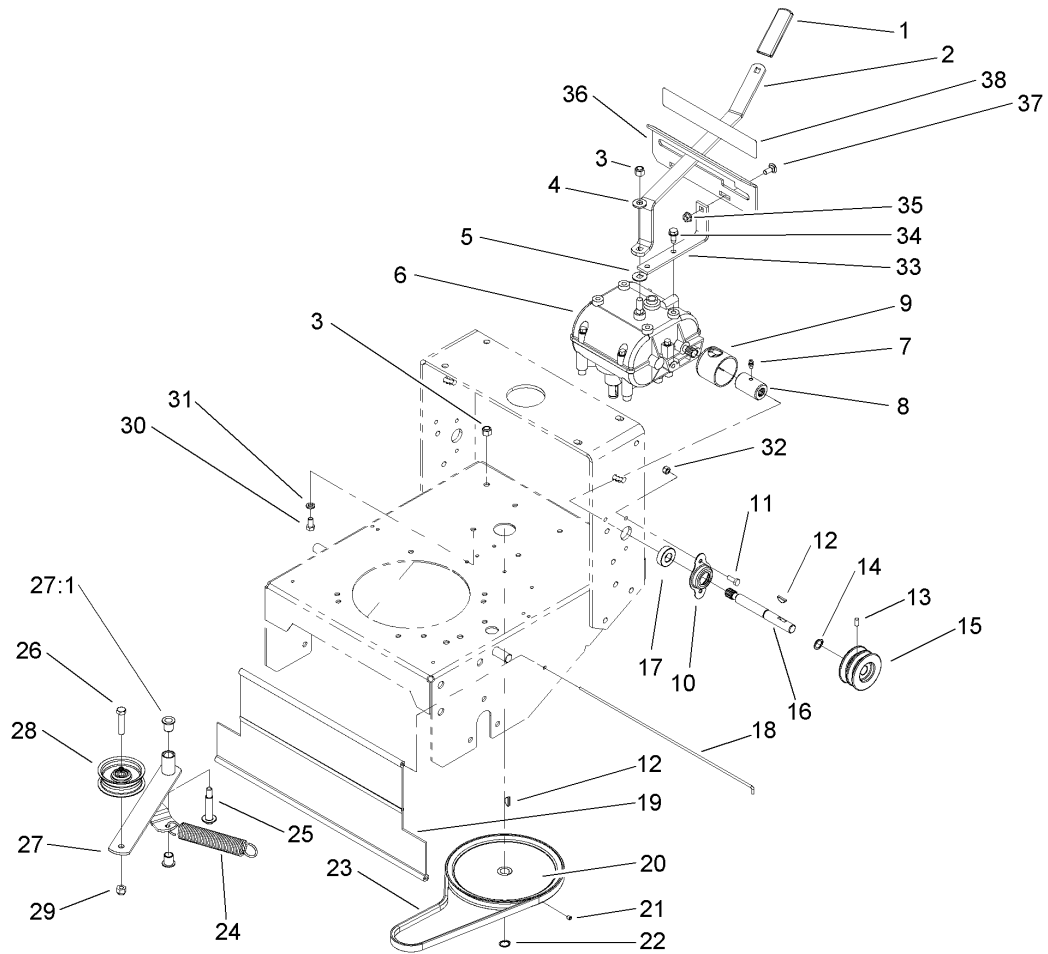
Ref	Part No.	Qty.	Description
1	56-6360	1	Filter-Fuel
2		1	Engine-Kawasaki, Fh430v-As28
3	2412-87	1	Clamp-Cable
4	106-0699	1	Decal-Warning, Hot Surfaces
5	2412-72	1	Clip-Closed, Insulated
6	103-1966	1	Adapter
7	103-1965	1	Valve-Drain, Oil
8	104-8137	1	Harness-Wire
9	3296-29	4	Nut-Lock, NI
10	32128-20	2	Nut-HF
11	3255-8	1	Washer-Lock
12	237-124	1	Grommet
13	104-6373	1	Tube-Retainer
14	1-613235	4	Washer
15	1-633630	2	Grommet-Brake
16	1-633545	2	Spacer
17	1-633543-03	1	Strap-Clutch, Brake
18	322-11	1	Screw-HH
19	3256-23	5	Washer-Flat
20	322-7	5	Screw-HH
21	2412-134	1	R-Clamp
22	3212-9	1	Screw-HH
23	107-4136	1	Washer
24	105-2635	1	Clutch / Brake

Ref	Part No.	Qty.	Description
25	107-4112	1	Pulley-Drive
26	608006	1	Key-Square
27	94-5847-01	1	Cover-Pulley
28	100-6467	1	Muffler
29	103-5465	1	Clamp-Muffler
35	12-3270	2	Screw
99	103-1964	1	Hose-Drain, Oil



Lower Control Assembly

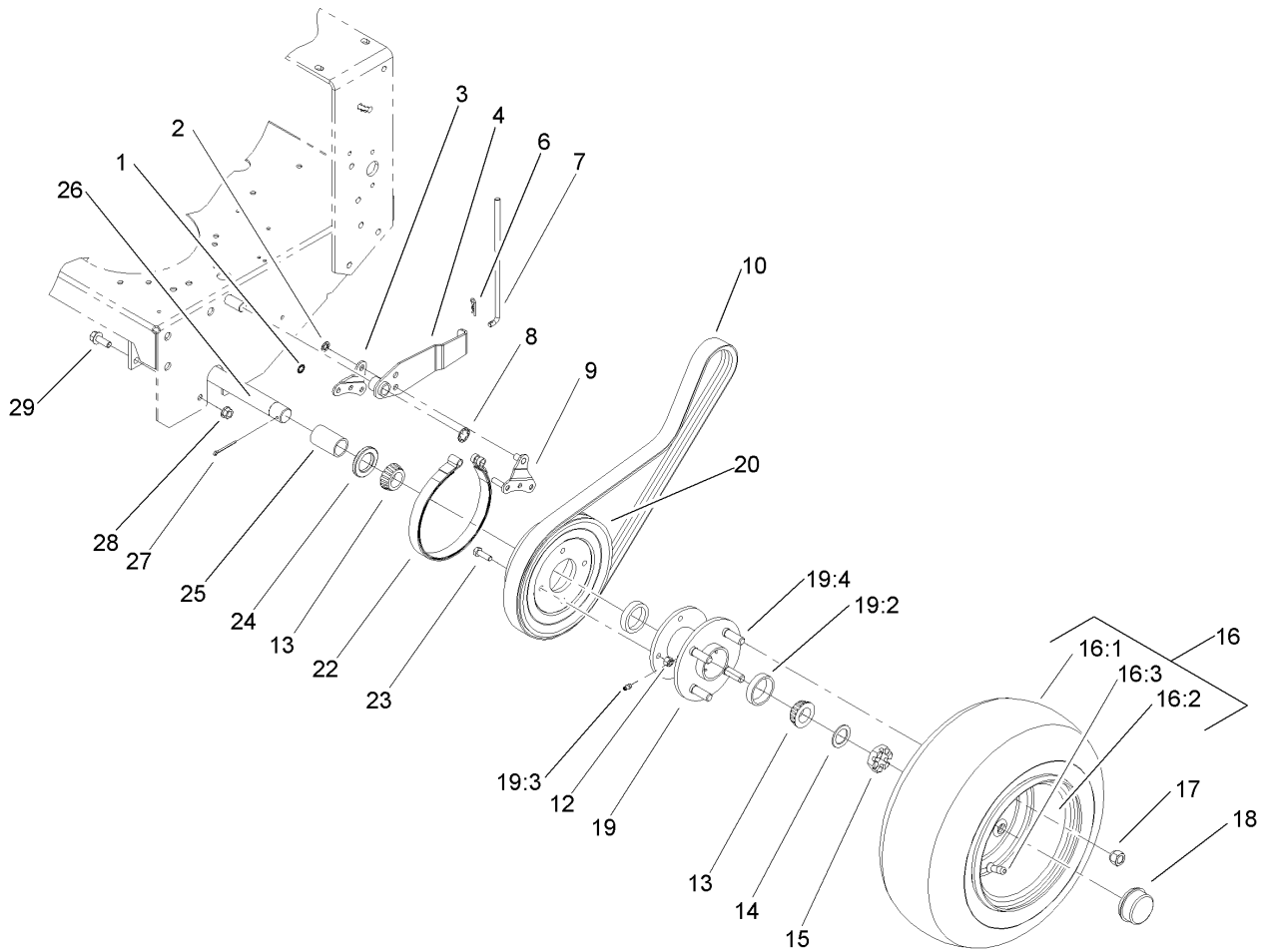
Ref	Part No.	Qty.	Description
1	32103-25	2	Nut-Wing
2	3256-23	6	Washer-Flat
3	3290-307	4	Pin-Hair
4	52-2890	2	Bushing-Nylon
5	74-0521	2	Fitting-Rod
6	283-6	2	Pin-Clevis
7	74-0040	4	Spacer-Pivot, Idler
8	67-6380-01	1	Bracket-Support, LH
9	67-6370-01	1	Bracket-Support, RH
10	323-16	2	Screw-HH
11	323-6	4	Screw-HH
12	3296-23	2	Nut-Lock, NI
13	95-2800	2	Pulley-Idler
14	95-2801	2	Spacer-Pulley
15	74-0220-01	1	Bracket-Idler, LH
16	74-0230-01	1	Bracket-Idler, RH
17	51-4450	2	Screw-Leveler
18	68-9690	2	Fitting-Rod
19	51-4380	1	Spring-Torsion, LH
20	51-4370	1	Spring-Torsion, RH
21	3296-39	6	Nut-Lock, NI
31	3234-32	6	Screw-HHF
32	32128-23	6	Nut-HF



Transmission Drive Assembly

Ref	Part No.	Qty.	Description
1	47-1970	1	Grip
2	98-3274-03	1	Lever-Shift
3	3296-6	2	Nut-Lock
4	98-5975	1	Washer-Belleville
5	1-323379	1	Washer
6	1-323500	1	Transmission
7	302-5	2	Fitting-Grease
8	1-323680	2	Coupler
9	51-4220	2	Guard-Coupler
10	1-323254	2	Flange-Output
11	321-4	4	Screw-HH
12	3257-5	3	Key-Woodruff
13	3245-9	2	Screw-Set
14	32151-62	2	Ring-Retaining
15	105-2698	2	Pulley-Transmission
16	104-1102	2	Shaft-Output
17	1-323252	2	Bearing-Shaft
18	95-1529	1	Rod-Shield
19	95-1526	1	Shield-Trailing
20	105-5646	1	Pulley-Driven
21	3245-1	1	Screw-Set, HSH
22	32120-64	1	Ring-Snap, External
23	105-5668	1	V-Belt
24	68-2190	1	Spring

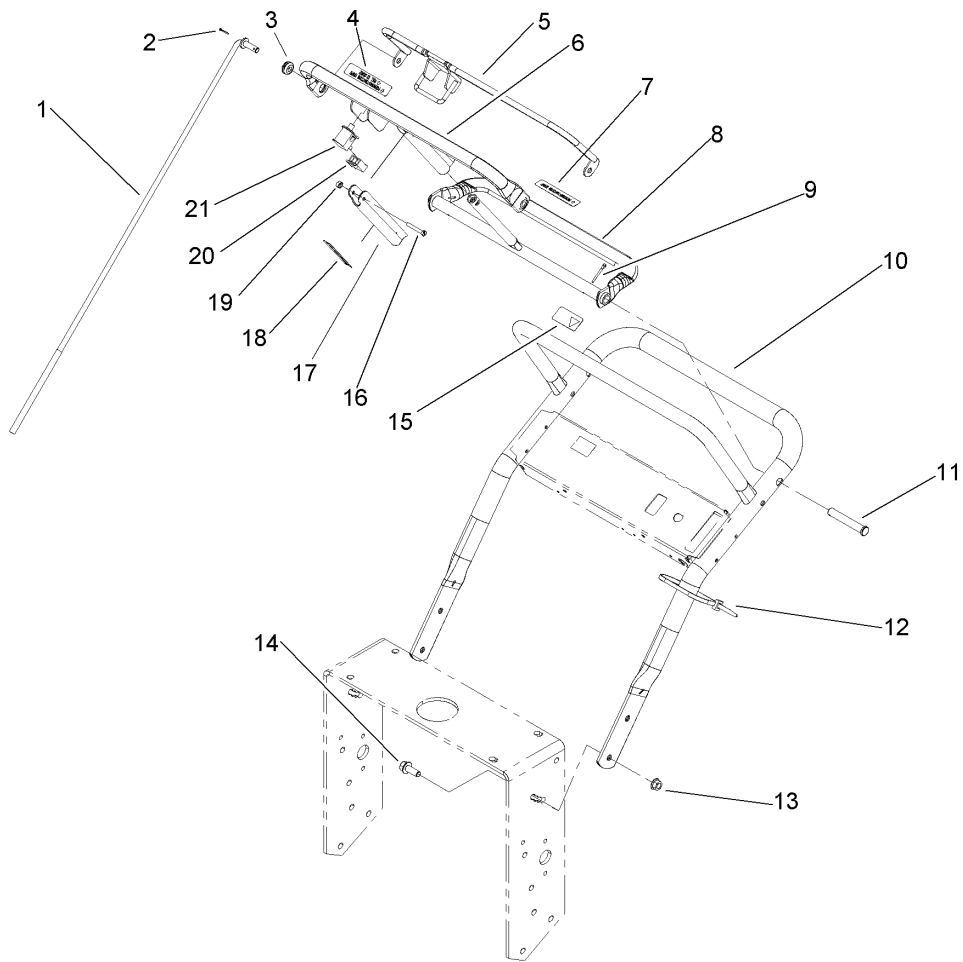
Ref	Part No.	Qty.	Description
25	27-6230	1	Bolt-Wheel
26	323-9	1	Screw-HH
27	16-7509	1	Lever-Idler
27:1	256-155	2	Bushing-Flange
28	62-4540	1	Pulley
29	3296-39	1	Nut-Lock, NI
30	322-2	4	Screw-HH
31	3253-4	4	Washer-Lock
32	3296-42	4	Nut-Lock, NI
33	1-323389-03	2	Bracket-Plate, Shift
34	9264964	4	Screw-Hwh, Thread Cut
35	32128-20	2	Nut-HF
36	1-323387-03	1	Plate-Shift
37	3230-1	2	Bolt-CARR
38	98-3256	1	Decal-Speed, Ground



Wheel Drive and Brake Assembly

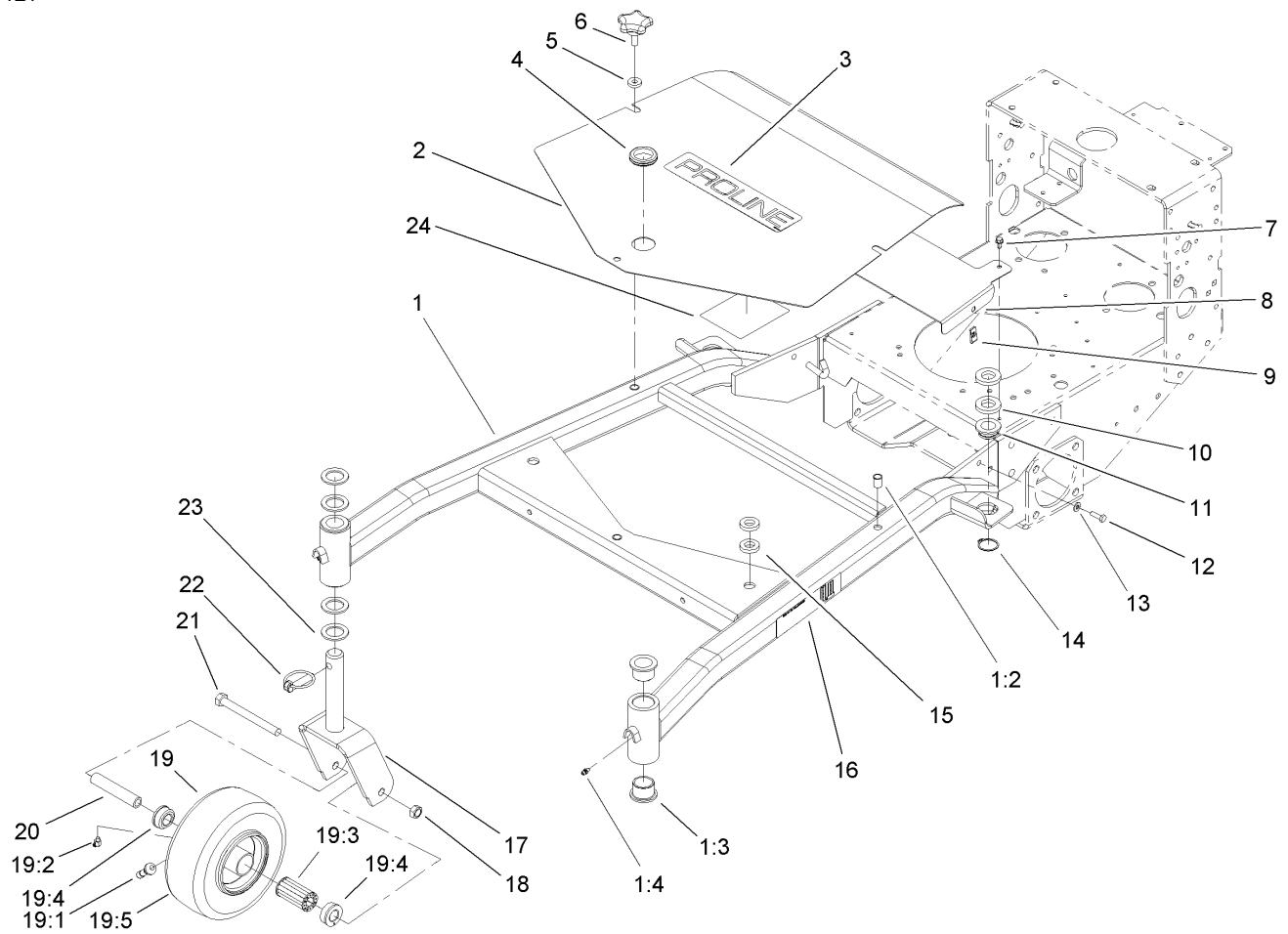
Ref	Part No.	Qty.	Description
1	32151-72	4	Ring-Retaining
2	32151-56	2	Ring-Retaining, External
3	106-8792	2	Plate-Link, Brake
4	106-8779-01	2	Brake Arm ASM
6	3290-307	2	Pin-Hair
7	51-4580	2	Rod-Brake
8	32151-40	2	Ring-Retaining
9	106-8773	2	Brake Link ASM
10	51-4290	2	V-Belt
12	3296-29	8	Nut-Lock, NI
13	254-94	4	Bearing-Cone, Tapered
14	1-523157	2	Washer-Spacer
15	1-809082	2	Nut-SHH
16	106-0892	2	Wheel And Tire ASM
16:1	104-6322	1	Tire
16:2	106-0893	1	Wheel
16:3	232-27	1	Stem-Valve
17	242-50	8	Nut-Lug
18	241-119	2	Cap-Dust
19	1-413333	2	Hub/wheel ASM
19:2	254-72	2	Bearing-Cup, Tapered
19:3	302-19	1	Fitting-Grease
19:4	1-633926	4	Stud-Wheel
20	106-5544	2	Pulley-Wheel

Ref	Part No.	Qty.	Description
22	1-323262	2	Band-Brake
23	322-5	8	Screw-HH
24	1-543511	2	Seal-Grease
25	104-1197	2	Spacer-Wheel
26	104-1196-01	1	Axle ASM
27	1-806800	2	Pin-Cotter
28	32128-21	6	Nut-HF
29	3234-11	6	Screw-HHF



Upper Handle Assembly

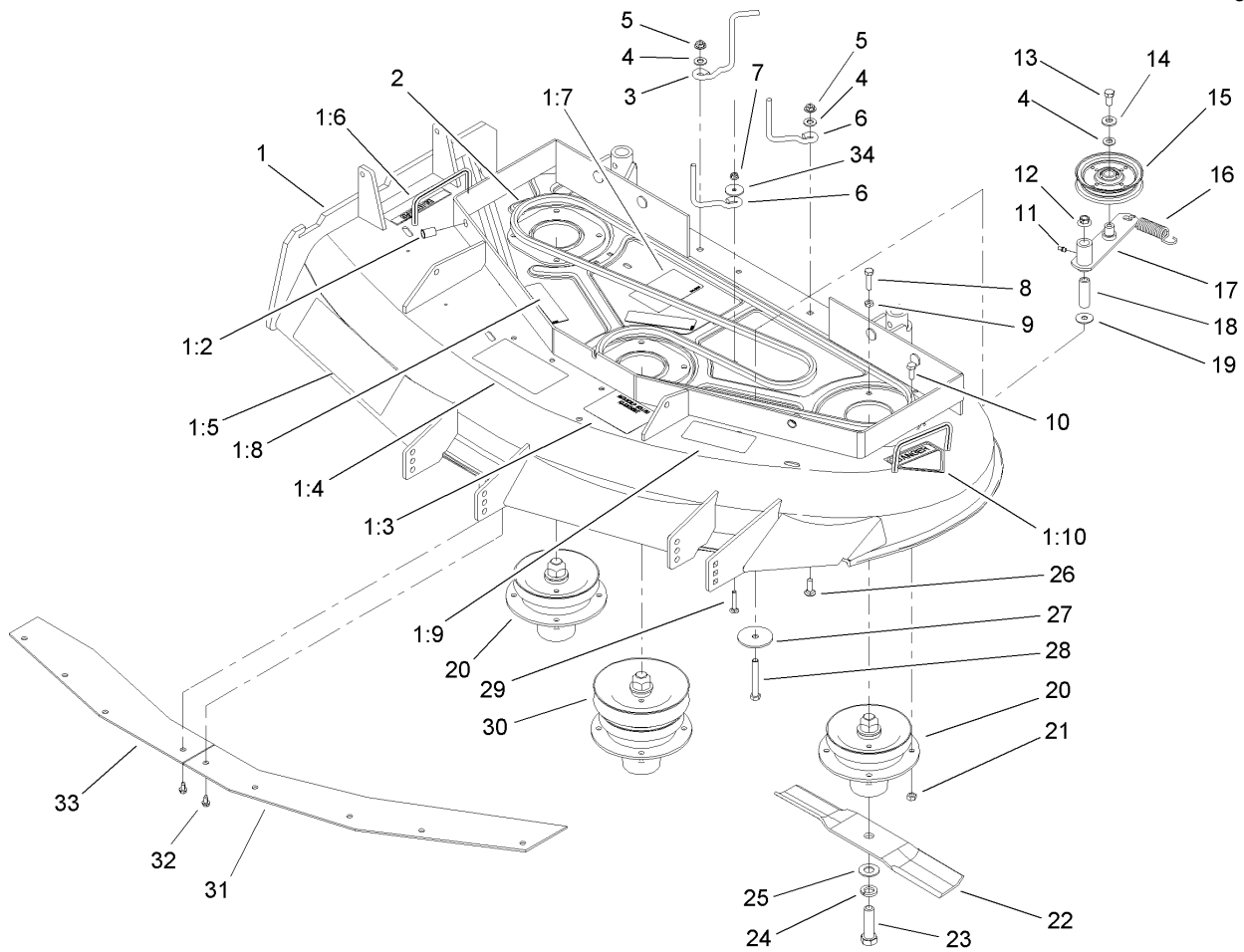
Ref	Part No.	Qty.	Description				
1	105-4677	2	Rod-Control				
2	3272-4	2	Pin-Cotter				
3	237-141	2	Grommet-Rubber				
4	82-2290	1	Decal				
5	82-7680-03	1	Bail ASM				
6	82-7690-03	1	Bar-Control				
7	82-2280	1	Decal				
8	106-5477-03	1	Control Pivot ASM				
9	3272-11	2	Pin-Cotter				
10	105-3158-03	1	Upper Handle ASM				
11	283-55	2	Pin-Clevis				
12	3290-378	1	Tie-Cable				
13	32128-21	4	Nut-HF				
14	3234-11	4	Screw-HHF				
15	98-4387	1	Decal-Protection, Ear				
16	32105-1	1	Screw-SHH				
17	51-4850-03	1	Lever-Brake, Parking				
18	52-2010	1	Decal-Lever, Parking				
19	3296-2	1	Nut-Lock				
20	218-595	1	Connector-Body				
21	82-2190	1	Switch-Bail				



Carrier Frame Assembly

Ref	Part No.	Qty.	Description
1	106-0707	1	Carrier Frame ASM
1:2	32148-9	3	Insert-Nut
1:3	94-1291	4	Bushing
1:4	302-5	2	Fitting-Grease
2	106-0537-01	1	Cover
3	106-0719	1	Decal
4	240-3	1	Grommet-Rubber
5	106-0565	3	Washer-Rubber
6	106-0887	3	Knob
7	12-3270	2	Screw
8	105-9389-01	1	Shield-Heat
9	3290-199	2	Nut-Speed
10	104-1105	4	Spacer-Support, Deck
11	1-513336	2	Bushing-Deck
12	321-5	2	Screw-HH
13	3256-22	2	Washer-Flat
14	32120-33	2	Ring-Retaining
15	105-0842	4	Spacer
16	106-0635	2	Decal-HOC
17	105-3159-01	2	Castor Fork ASM
18	32153-5	2	Nut-Lock, Side
19	100-6451	2	Castor Wheel ASM
19:1	232-27	1	Stem-Valve
19:2	302-11	1	Fitting-Lube, 45 DEG

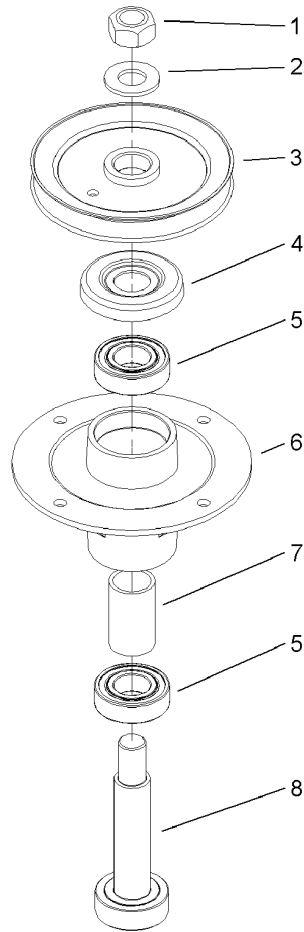
Ref	Part No.	Qty.	Description
19:3	83-4740	1	Bearing
19:4	62-5580	2	Bearing-Outside
19:5	100-6452	1	Tire-Tubeless
20	100-6453	2	Bushing-Spanner
21	325-19	2	Screw-HH
22	283-71	2	Pin-Lynch
23	3-6781	8	Washer-Thrust
24	106-5503	1	Decal-Service, Hydro Tbar
24	106-5505	1	Decal-Service, Gear Tbar
24	106-5511	1	Decal-Service, Gear Pistol Grip
24	106-5513	1	Decal-Service, Hydro Pistol Grip



Spindle, Pulley and Belt Assembly

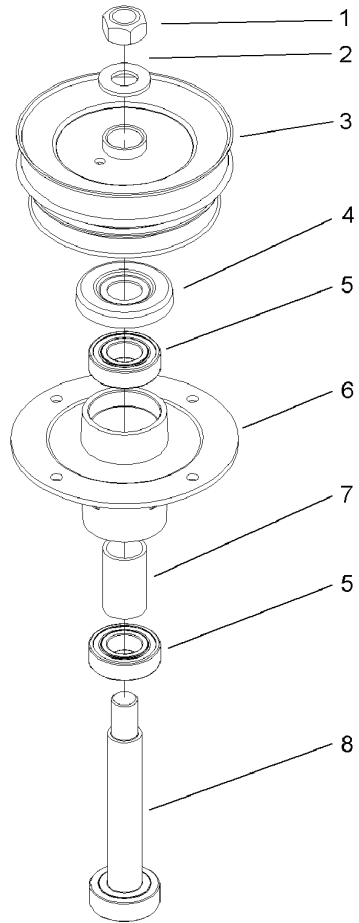
Ref	Part No.	Qty.	Description
1	107-4212	1	Deck ASM
1:2	32148-10	2	Insert-Threaded
1:3	106-5532	1	Decal-Anti Scalp
1:4	66-1340	1	Decal-Danger
1:5	106-0704	1	Decal
1:6	93-1122	1	Decal-Danger
1:7	104-8186	1	Decal-Routing, Belt
1:8	67-5360	3	Decal-Danger
1:9	68-8340	1	Decal-Torque
1:10	43-8480	1	Decal-Danger
2	27-1160	1	V-Belt
3	106-5488	1	Guide-Belt
4	3256-24	3	Washer-Flat
5	32128-13	2	Nut-HF
6	52-4780	2	Rod-Belt
7	32128-10	1	Nut-Lock, HHF
8	322-6	1	Screw-HH
9	3218-2	1	Nut-Jam
10	322-4	11	Screw-HH
11	302-19	1	Fitting-Grease
12	32128-19	1	Nut-HF
13	323-4	1	Screw-HH
14	98-5975	1	Washer-Belleville
15	65-5940	1	Pulley-Idler

Ref	Part No.	Qty.	Description
16	54-2730	1	Spring-Extension
17	104-8110	1	Idler Arm ASM
18	104-8113	1	Tube-Idler
19	52-2860	1	Washer
20	106-0786	2	Spindle Housing ASM
21	32152-1	12	Nut-Lock, Cone
22	54-0010-03	3	Blade
23	51-4060	3	Screw-Blade
24	3253-8	3	Washer-Lock
25	3256-27	3	Washer-Flat
26	3230-2	2	Bolt-CARR
27	20-9530	1	Washer-End
28	323-13	1	Screw-HH
29	3229-4	1	Screw-CARR
30	106-0784	1	Spindle Housing ASM
31	100-3258-03	1	Plate-Blowout, LH
32	12-3270	9	Screw
33	100-3257-03	1	Plate-Blowout, RH
34	1-503033	1	Washer-Retainer, Pulley



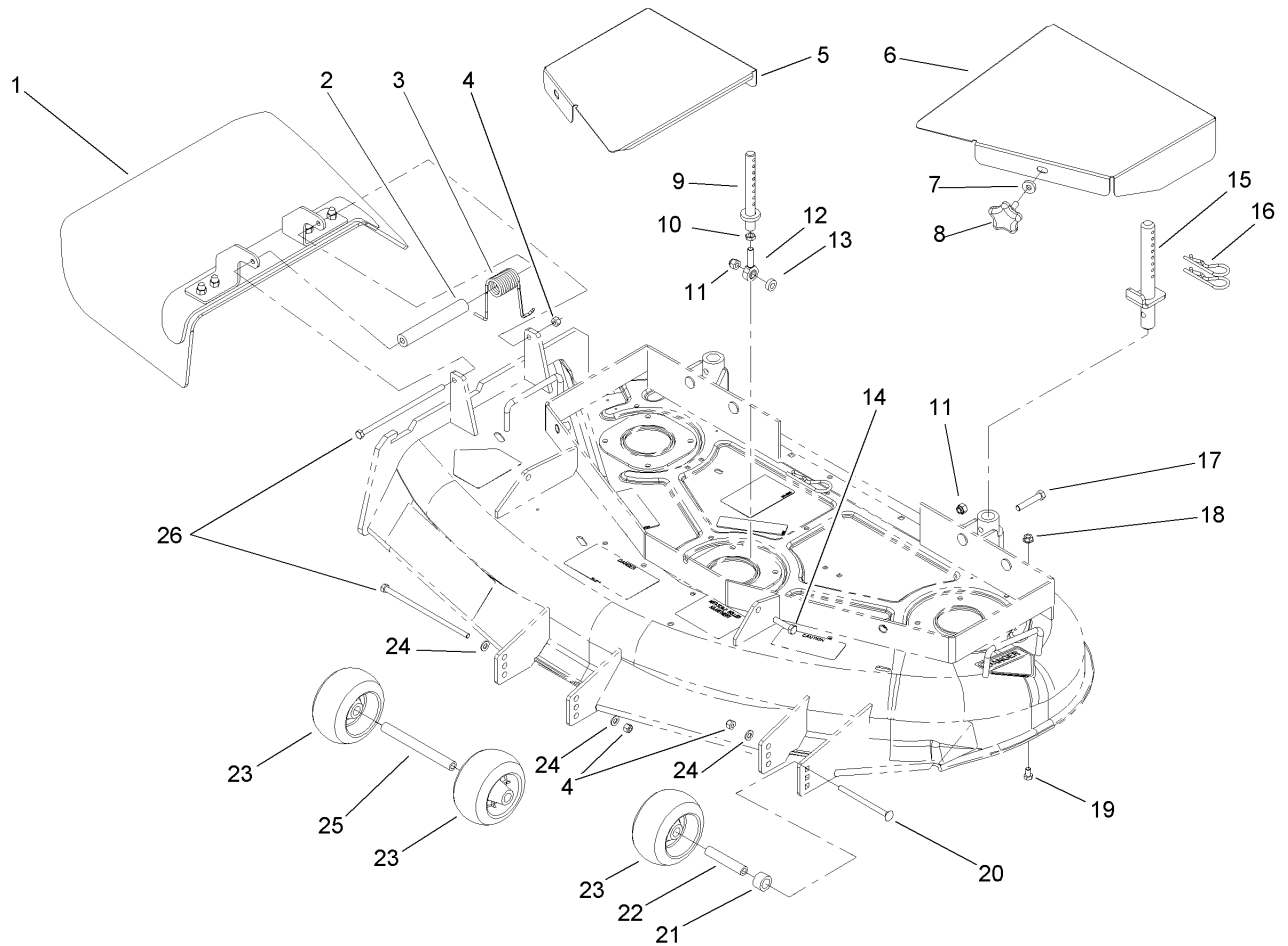
Spindle Assembly No. 106-0786

Ref	Part No.	Qty.	Description				
1	3219-7	1	Nut-Hex				
2	7-4150	1	Washer				
3	104-1181	1	Pulley ASM				
4	106-0873	1	Shield-Bearing				
5	104-6325	2	Bearing				
6	106-0818	1	Housing-Spindle				
7	106-0794	1	Spacer-Bearing				
8	106-0780	1	Shaft-Spindle				



Spindle Assembly No. 106-0784

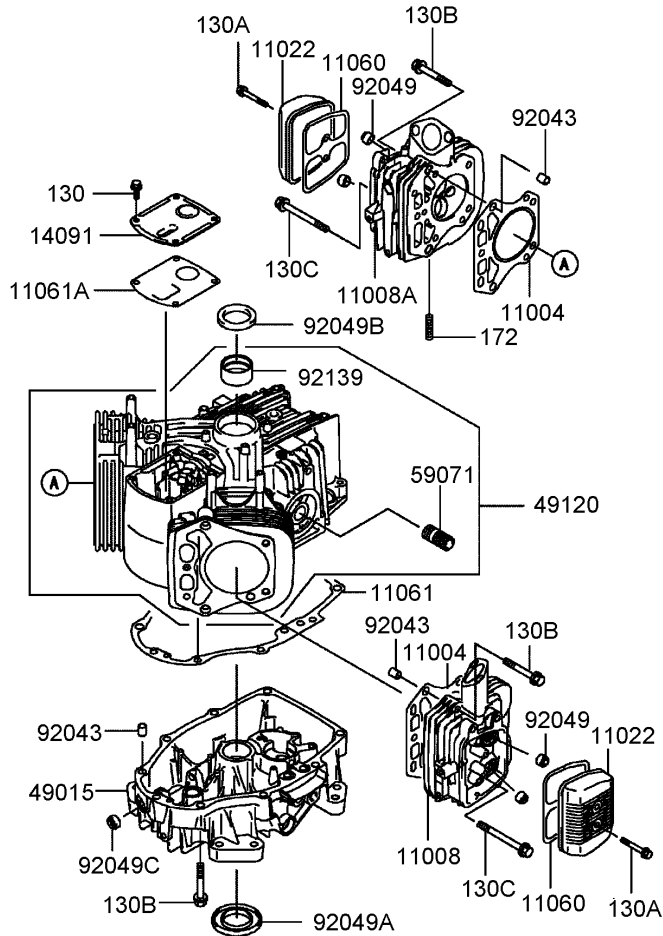
Ref	Part No.	Qty.	Description				
1	3219-7	1	Nut-Hex				
2	7-4150	1	Washer				
3	104-1116	1	Pulley And Hub ASM				
4	106-0873	1	Shield-Bearing				
5	104-6325	2	Bearing				
6	106-0818	1	Housing-Spindle				
7	106-0794	1	Spacer-Bearing				
8	106-0779	1	Shaft-Spindle				



Deck Assembly

Ref	Part No.	Qty.	Description
1	107-4194	1	Deflector ASM
2	105-4622	1	Spacer
3	104-8554	1	Spring-Torsion
4	3296-29	3	Nut-Lock, NI
5	106-3363-01	1	Cover-Belt, RH
6	106-3362-01	1	Cover-Belt, LH
7	106-0565	2	Washer-Rubber
8	106-0887	2	Knob
9	106-0684	2	Front Pin ASM
10	3220-3	2	Nut-Jam
11	3296-39	4	Nut-Lock, NI
12	1-613204	2	Balljoint
13	104-1156	2	Spacer
14	323-8	2	Screw-HH
15	106-3365	2	Rear Pin ASM
16	3290-256	6	Pin-Hair
17	323-10	2	Screw-HH
18	32128-20	4	Nut-HF
19	322-1	4	Screw-HH
20	3230-30	1	Screw-CARR
21	106-0563	1	Spacer-Wheel
22	106-0545	1	Bushing-Roller
23	1-603299	3	Roller-Anti Scalp
24	3256-23	3	Washer-Flat

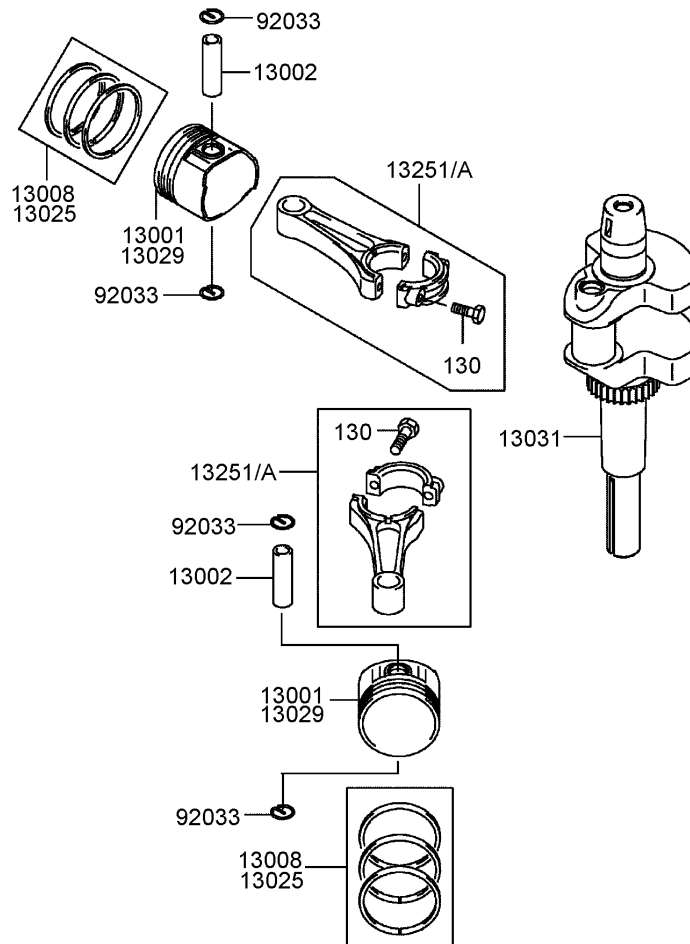
Ref	Part No.	Qty.	Description
25	98-5967	1	Spacer-Wheel
26	322-50	2	Screw-HH



Cylinder and Crankcase Assembly Kawasaki FH430V-AS28

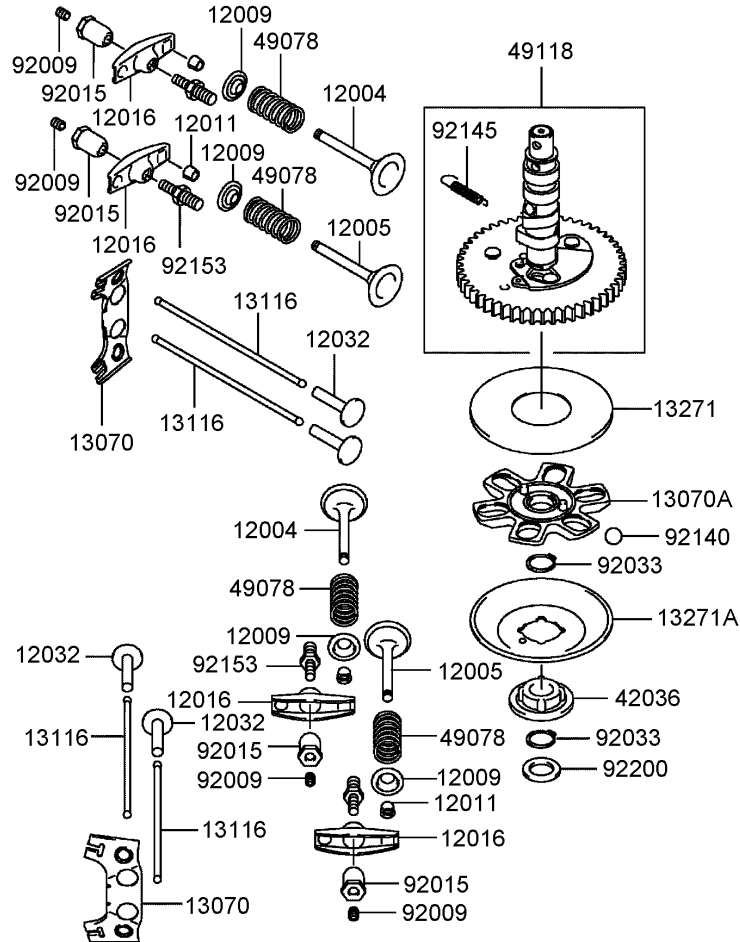
Ref	Part No.	Qty.	Description
● 11004	11004-7008	2	Gasket-Head
● 11008	11008-7021	1	Head-Comp-Cylinder, No. 2
● 11008A	11008-7022	1	Head-Comp-Cylinder, No. 1
● 11022	11022-7003	2	Case-Rocker
● 11060	11060-7001	2	Gasket-Case, Rocker
● 11061	11061-7007	1	Gasket-Cover, Crankcase
● 11061A	11061-7008	1	Gasket-Breather
● 14091	14091-7007	1	Cover
● 49015	49015-7032	1	Cover-Crankcase
● 49120	49120-7015	1	Crankcase-Comp
● 59071	59071-2079	1	Joint
● 92043	92043-7001	6	Pin
● 92049	92049-7001	4	Seal-Oil, Rvc2 (6x11x10.2)
● 92049A	92049-7015	1	Seal-Oil, Sd (35x62x8 L Hs)
● 92049B	92049-7016	1	Seal-Oil, Sd (35x48x8 R Hs)
● 92049C	92049-7019	1	Seal-Oil, So (8x14x5 Hs)
● 92139	92139-7002	1	Bushing
● 130	130B0612	4	Bolt-Flanged
● 130A	130B0640	4	Bolt-Flanged
● 130B	130T0850	17	Bolt-Flanged
● 130C	130T0875	2	Bolt-Flanged
● 172	172G0818	4	Bolt-Stud

--	--	--	--	--



Piston and Crankshaft Assembly Kawasaki FH430V-AS28

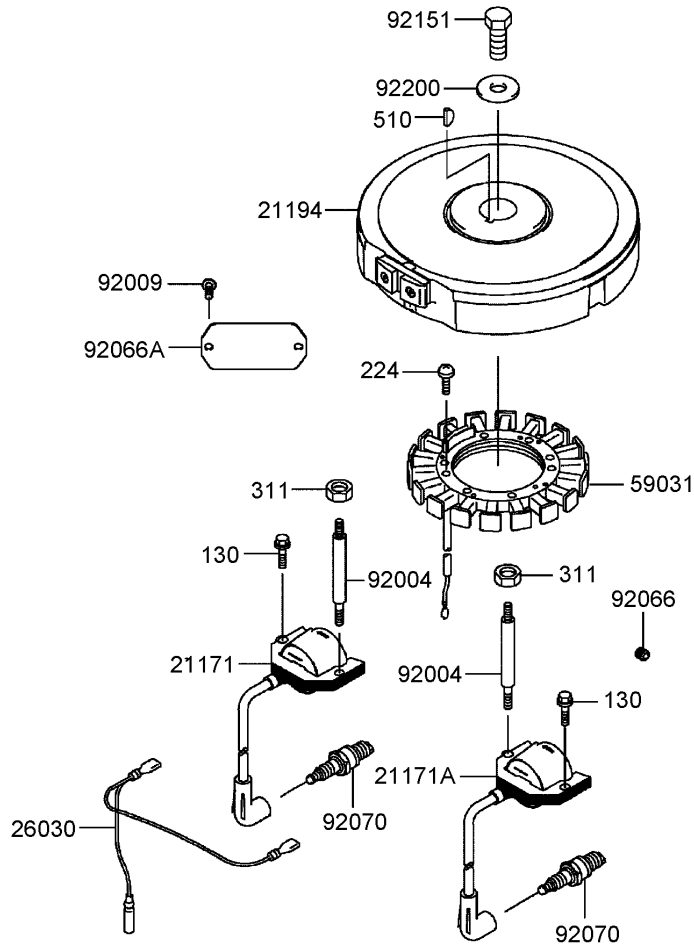
Ref	Part No.	Qty.	Description				
⑤ 13001	13001-7009	2	Piston-Engine				
⑤ 13002	13002-7001	2	Pin-Piston				
⑤ 13008	13008-7001	2	Ring Set-Piston				
⑤ 13025	13025-7003	1	Ring Set-Piston (L,0.50)				
⑤ 13029	13029-7005	1	Piston-Engine (L,0.50)				
⑤ 13031	13031-7033	1	Crankshaft-Comp				
⑤ 13251	13251-7007	2	Connecting Rod ASM				
⑤ 13251A	13251-7008	2	Connecting Rod ASM (U/s=0.50)				
⑤ 92033	92033-7005	4	Ring-Snap				
⑤ 130	130G0630	4	Bolt-Flanged				



Valve and Camshaft Assembly Kawasaki FH430V-AS28

Ref	Part No.	Qty.	Description
⑤ 12004	12004-7003	2	Valve-Intake
⑤ 12005	12005-7003	2	Valve-Exhaust
⑤ 12009	12009-7001	4	Retainer-Spring, Valve
⑤ 12011	12011-2056	8	Collet
⑤ 12016	12016-7001	4	Arm-Rocker
⑤ 12032	12032-7001	4	Tappet
⑤ 13070	13070-7001	2	Guide
⑤ 13070A	13070-7004	1	Guide
⑤ 13116	13116-2057	4	Rod-Push
⑤ 13271	13271-7007	1	Plate
⑤ 13271A	13271-7021	1	Plate-Governor
⑤ 42036	42036-7009	1	Sleeve
⑤ 49078	49078-7001	4	Spring-Valve, Engine
⑤ 49118	49118-7009	1	Camshaft-Comp
⑤ 92009	92009-2341	4	Screw
⑤ 92015	92015-2253	4	Nut
⑤ 92033	92033-7001	2	Ring-Snap
⑤ 92140	92140-7002	6	Ball
⑤ 92145	92145-7001	1	Spring
⑤ 92153	92153-7019	4	Bolt
⑤ 92200	92200-7001	1	Washer

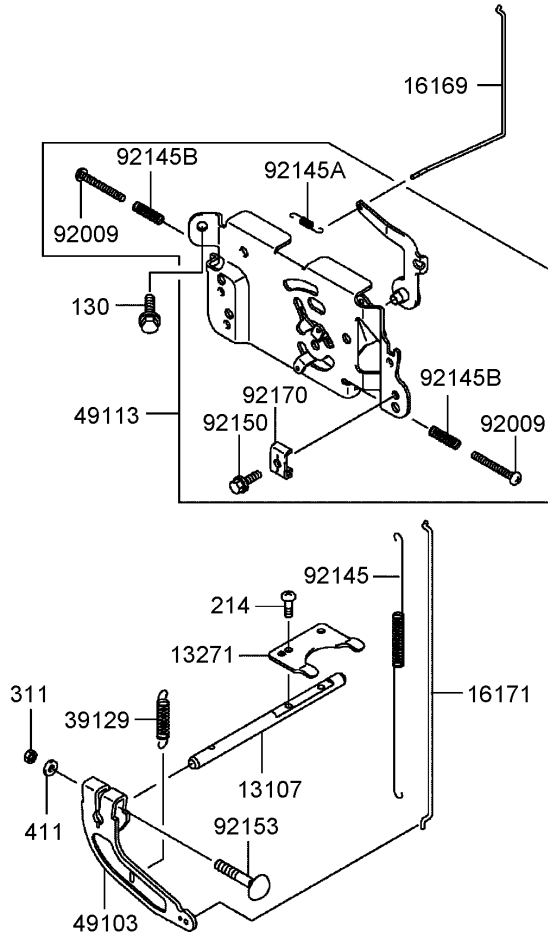
--	--	--	--



Electrical Equipment Assembly Kawasaki FH430V-AS28

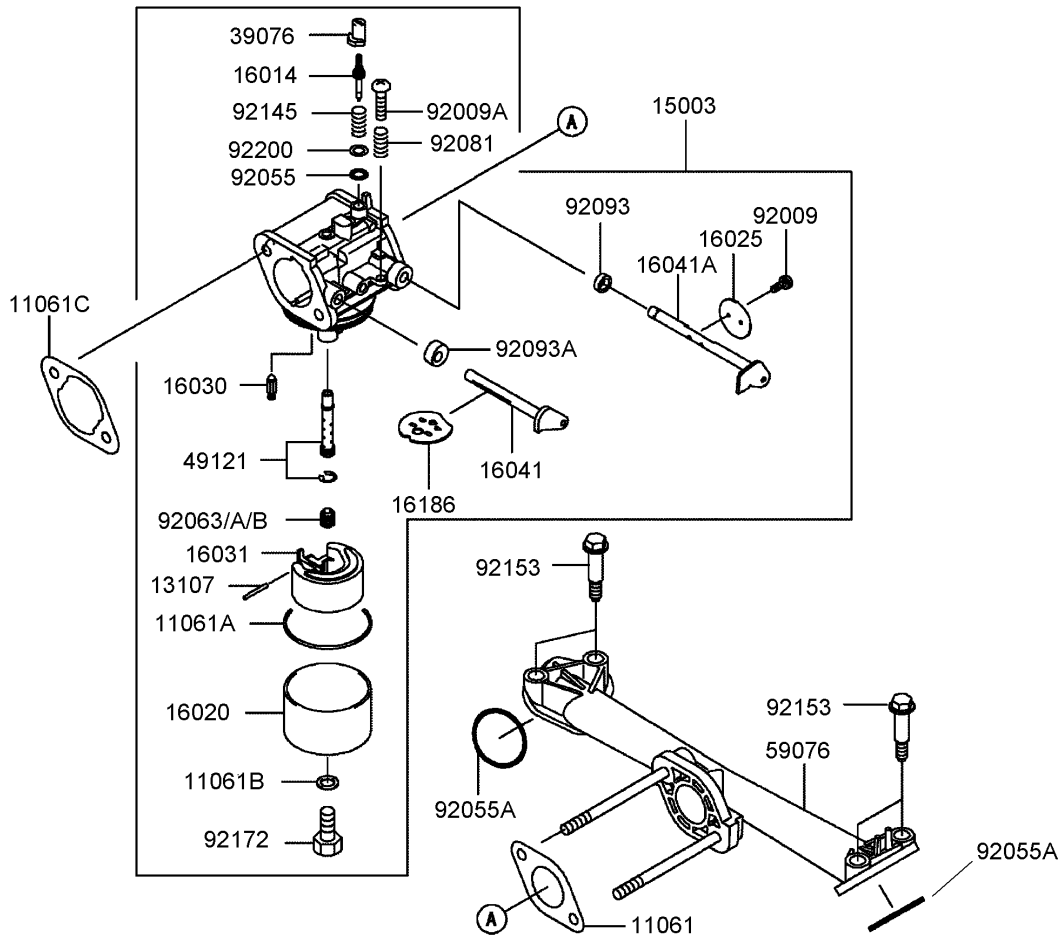
Ref	Part No.	Qty.	Description
②21171	21171-7013	1	Ignition Coil ASM
②21171A	21171-7014	1	Ignition Coil ASM
②21194	21194-7012	1	Flywheel-Comp
②26030	26030-7001	1	Harness
②59031	59031-7002	1	Coil-Charging
②92004	92004-7008	2	Stud
②92009	92009-2308	2	Screw
②92066	92066-7002	1	Plug
②92066A	92066-7005	1	Plug
②92070	92070-7003	2	Plug-Spark (Rcj8y, Solid)
②92151	92151-2097	1	Bolt (12x30)
②92200	92200-7002	1	Washer
②130	130B0620	2	Bolt-Flanged
②224	224B0520	4	Screw-Pan
②311	311F0600	2	Nut-Hex
②510	510A5100	1	Key-Woodruff

--	--	--	--



Control Equipment Assembly Kawasaki FH430V-AS28

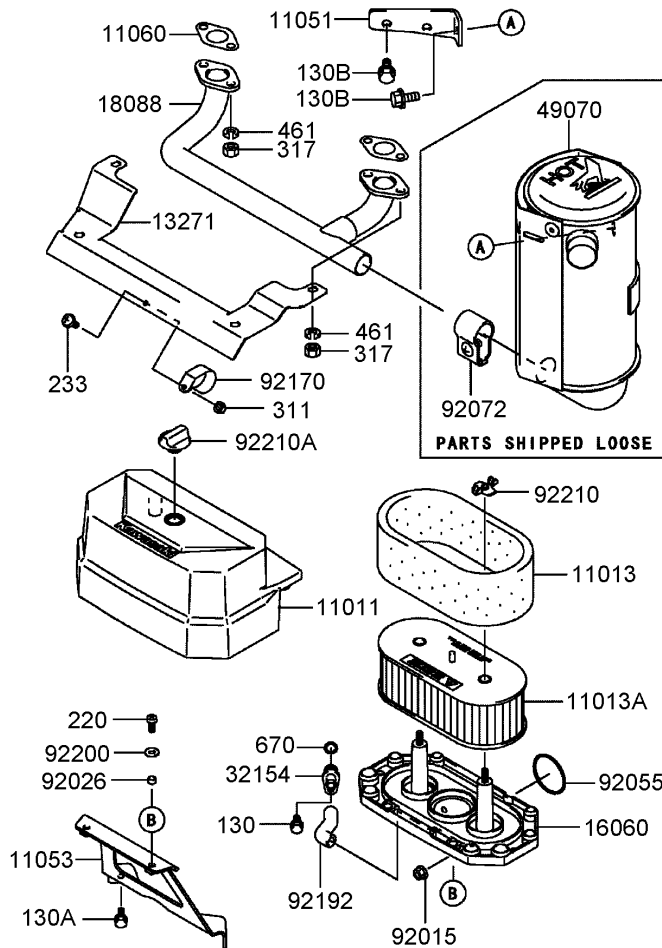
Ref	Part No.	Qty.	Description				
③13107	13107-7010	1	Shaft				
③13271	13271-7018	1	Plate				
③16169	16169-7012	1	Link-Choke				
③16171	16171-7007	1	Link				
③39129	39129-7003	1	Spring-Governor				
③49103	49103-7004	1	Arm-Governor				
③49113	49113-7027	1	Panel-Control, Comp				
③92009	92009-7007	2	Screw (4x35)				
③92145	92145-7003	1	Spring				
③92145A	92145-7004	1	Spring				
③92145B	92145-7005	2	Spring				
③92150	92150-2182	1	Bolt (5x18)				
③92153	92153-7005	1	Bolt (6x35)				
③92170	92170-7001	1	Clamp				
③130	130B0612	2	Bolt-Flanged				
③214	214B0408	2	Screw-Pan				
③311	311B0600	1	Nut-Hex				
③411	411b0600	1	Washer-Plain				



Carburetor Assembly Kawasaki FH430V-AS28

Ref	Part No.	Qty.	Description
● 11061	11061-7004	1	Gasket-Insulator
● 11061A	11061-7009	1	Gasket-Chamber
● 11061B	11061-7010	1	Gasket-Screw
● 11061C	11061-7018	1	Gasket-Cleaner, Air
● 13107	13107-7018	1	Shaft
● 15003	15003-7061	1	Carburetor-ASM
● 16014	16014-7002	1	Screw-Pilot
● 16020	16020-7003	1	Chamber-Float
● 16025	16025-7006	1	Valve-Throttle
● 16030	16030-7003	1	Valve-Float
● 16031	16031-7002	1	Float
● 16041	16041-7016	1	Shaft-Choke, Carburetor
● 16041A	16041-7018	1	Shaft-Throttle, Carburetor
● 16186	16186-7002	1	Choke Valve ASM
● 39076	39076-7001	1	Limiter
● 49121	49121-7001	1	Nozzle-Main
● 59076	59076-7005	1	Manifold-Intake
● 92009	92009-2083	2	Screw
● 92009A	92009-2349	1	Screw
● 92055	92055-2174	1	O-Ring
● 92055A	92055-7007	2	O-Ring (Id=31)
● 92063	92063-7026	1	Jet-Main, #88
● 92063A	92063-7028	1	Jet-Main, #85
● 92063B	92063-7029	1	Jet-Main, #82

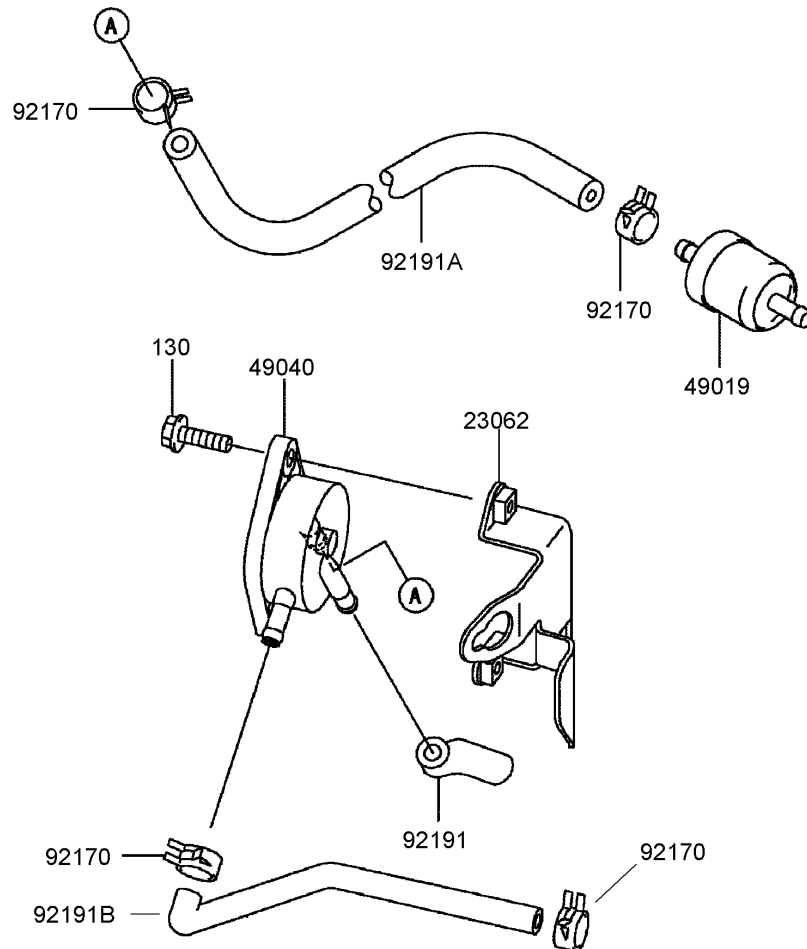
Ref	Part No.	Qty.	Description
● 92081	92081-2234	1	Spring
● 92093	92093-2100	1	Seal
● 92093A	92093-7003	1	Seal
● 92145	92145-7015	1	Spring
● 92153	92153-7009	4	Bolt
● 92172	92172-7002	1	Screw
● 92200	92200-7014	1	Washer



Air Filter and Muffler Assembly Kawasaki FH430V-AS28

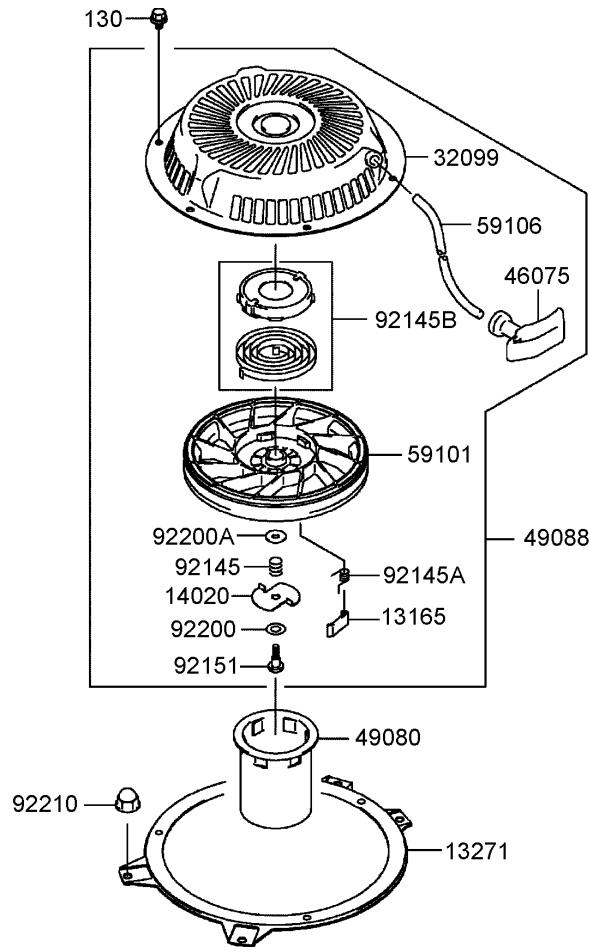
Ref	Part No.	Qty.	Description
③11011	11011-7035	1	Case-Filter, Air
③11013	11013-7025	1	Element-Filter, Air
③11013A	11013-7031	1	Element-Filter, Air
③11051	11051-7005-9H	1	Bracket
③11053	11053-7022	1	Bracket
③11060	11060-7021	2	Gasket-Muffler
③13271	13271-7022	1	Plate
③16060	16060-7016	1	Pipe-Intake
③18088	18088-7001	1	Pipe-Exhaust
③32154	32154-7006	1	Pipe
③49070	49070-7015	1	Muffler-Comp
③92015	92015-1193	2	Nut
③92026	92026-7001	2	Spacer (6.2x7.9x5)
③92055	92055-7015	1	O-Ring
③92072	92072-7008	1	Band
③92170	92170-7002	1	Clamp
③92192	92192-7010	1	Tube
③92200	92200-2070	2	Washer
③92210	92210-7004	2	Nut
③92210A	92210-7019	1	Nut
③130	130B0610	1	Bolt-Flanged
③130A	130B0612	2	Bolt-Flanged
③130B	130B0816	2	Bolt-Flanged

Ref	Part No.	Qty.	Description
③220	220B0614	2	Screw-Pan (Cross)
③233	233B0416	1	Screw-Pan
③311	311B0400	1	Nut-Hex
③317	317R0800	4	Nut-Hex, Small
③461	461F0800	4	Washer-Spring
③670	670B2010	1	O-Ring (10mm)



Fuel Valve Assembly Kawasaki FH430V-AS28

Ref	Part No.	Qty.	Description
③ 23062	23062-7004-9H	1	Bracket-Comp
③ 49019	49019-7001	1	Filter-Fuel
③ 49040	49040-7001	1	Pump-Fuel
③ 92170	92170-2088	4	Clamp
③ 92191	92191-7002	1	Tube
③ 92191A	92191-7003	1	Tube (6.35x12.7x160)
③ 92191B	92191-7004	1	Tube
③ 130	130B0620	2	Bolt-Flanged



Starter Assembly Kawasaki FH430V-AS28

Ref	Part No.	Qty.	Description				
① 13165	13165-7001	2	Pawl-Starter, Recoil				
① 13271	13271-7003-9H	1	Plate				
① 14020	14020-7001	1	Retainer				
① 32099	32099-7002	1	Case-Recoil, Starter				
① 46075	46075-7001	1	Grip-Recoil, Starter				
① 49080	49080-7001	1	Pulley-Starting				
① 49088	49088-7013	1	Starter-Recoil				
① 59101	59101-7001	1	Reel-Recoil				
① 59106	59106-7001	1	Rope				
① 92145	92145-7006	1	Spring				
① 92145A	92145-7007	2	Spring				
① 92145B	92145-7008	1	Spring				
① 92151	92151-7008	1	Bolt				
① 92200	92200-7004	1	Washer				
① 92200A	92200-7005	1	Washer				
① 92210	92210-0003	4	Nut				
① 130	130B0608	3	Bolt-Flanged				



56033

56070



56080



56080A



**Decal Assembly
Kawasaki FH430V-AS28**

Ref	Part No.	Qty.	Description				
⑤56033	56033-7001	1	Label-Manual				
⑤56070	56070-7001	1	Label-Warning				
⑤56080	56080-2077	1	Label-Brand				
⑤56080A	56080-7024	1	Label-Brand				

Attachments and Accessories

For 30326 - Mid-Size ProLine T-Bar Gear, 15 HP with 44in Side Discharge Mower

Product Name	Model/Part
Atomic Blade	104-1300
Striping Kit	106-3370
Weight Kit	106-5491
Soft Bag (3 Bushel)	30104
Steel Grass Catcher	30107
Tru Trak Sulky	30110
High Lift Blade	55-4940-03
Recycler Blade	92-7952-03
44 Inch Recycler Kit	99-4582
44" MULCHING KIT	99-8525

NOTES

NOTES

