



## 417XT Garden Tractor

Model No. 72201 - 240000001 and up.

### Parts Catalog

---

#### **Ordering Replacement Parts**

To order replacement parts, please supply the part number, the quantity, and the description of each part desired.

#### **Understanding Reference Numbers**

Each Identified part in an illustration has a reference number. The reference number for a part also appears in the parts list, along with other information about the part.

This catalog uses two special reference number formats, one to indicate parts in a service assembly and another to indicate the quantity of a given part in an illustration.

#### **Service Assembly Reference Numbers**

Parts in service assemblies have reference numbers in the form a:b. The a represents the reference number of the entire service assembly and the b represents a sequential number unique to each part within the service assembly.

For example, a wheel assembly might be identified by reference number 6, the tire by 6:1, the valve by 6:2, and the wheel by 6:3. When you order the assembly identified by reference number 6, you receive all parts identified by reference numbers 6:1, 6:2, and 6:3. However, you may also order any part individually. Reference numbers of this type appear in illustrations and in part lists.

#### **Reference Numbers Indicating Quantity**

In an illustration, if a reference number indicates more than one part, the reference number has the form nX y. The n represents the quantity of the part, the X is the multiplication symbol, and the y represents the reference number.

For example, in an illustration, the reference number 2X 37 means that two of the parts identified by reference number 37 are indicated.

# Contents

Description	Page	Description	Page
Hood and Grill Assembly	..... 3	Dash Assembly	..... 25
Hydro Drive Assembly	..... 4	Rear Wheel Assembly	..... 26
Front Axle and Hitch Assembly	..... 5	Cruise Control Assembly	..... 27
PTO Stop Assembly	..... 6	Cylinder and Crankcase Assembly Kawasaki FH541V-BS04	..... 28
Engine, Muffler and PTO Assembly	..... 7	Piston and Crankshaft Assembly Kawasaki FH541V-BS04	..... 29
Battery Assembly	..... 8	Valve and Camshaft Assembly Kawasaki FH541V-BS04	..... 30
Fuel Tank Assembly	..... 9	Lubrication Equipment Assembly Kawasaki FH541V-BS04	..... 31
Lower Steering Wheel and Tilt Assembly	..... 10	Cooling Equipment Assembly Kawasaki FH541V-BS04	..... 32
Steering Wheel and Tilt Assembly	..... 11	Electrical Equipment Assembly Kawasaki FH541V-BS04	..... 33
Hoodstand and Firewall Assembly	..... 12	Control Equipment Assembly Kawasaki FH541V-BS04	..... 34
Manual Lift Lever Assembly	..... 13	Carburetor Assembly Kawasaki FH541V-BS04	..... 35
Lift Assembly	..... 14	Air Filter and Muffler Assembly Kawasaki FH541V-BS04	..... 36
Brake Assembly	..... 15	Fuel Tank/Fuel Valve Assembly Kawasaki FH541V-BS04	..... 37
Hydro Control Assembly	..... 16	Starter Assembly Kawasaki FH541V-BS04	..... 38
Frame Assembly	..... 17	Decal Assembly Kawasaki FH541V-BS04	..... 39
Hydro Transaxle Assembly	..... 18		
Housing and Fan Assembly Transaxle Assembly No. 104-4310	..... 19		
Differential Gear Assembly Transaxle Assembly No. 104-4310	..... 20		
Brake Assembly Transaxle Assembly No. 104- 4310	..... 21		
Cylinder Block Assembly Transaxle Assembly No. 104-4310	..... 22		
Fender and Footrest Assembly	..... 23		
Seat Assembly	..... 24		

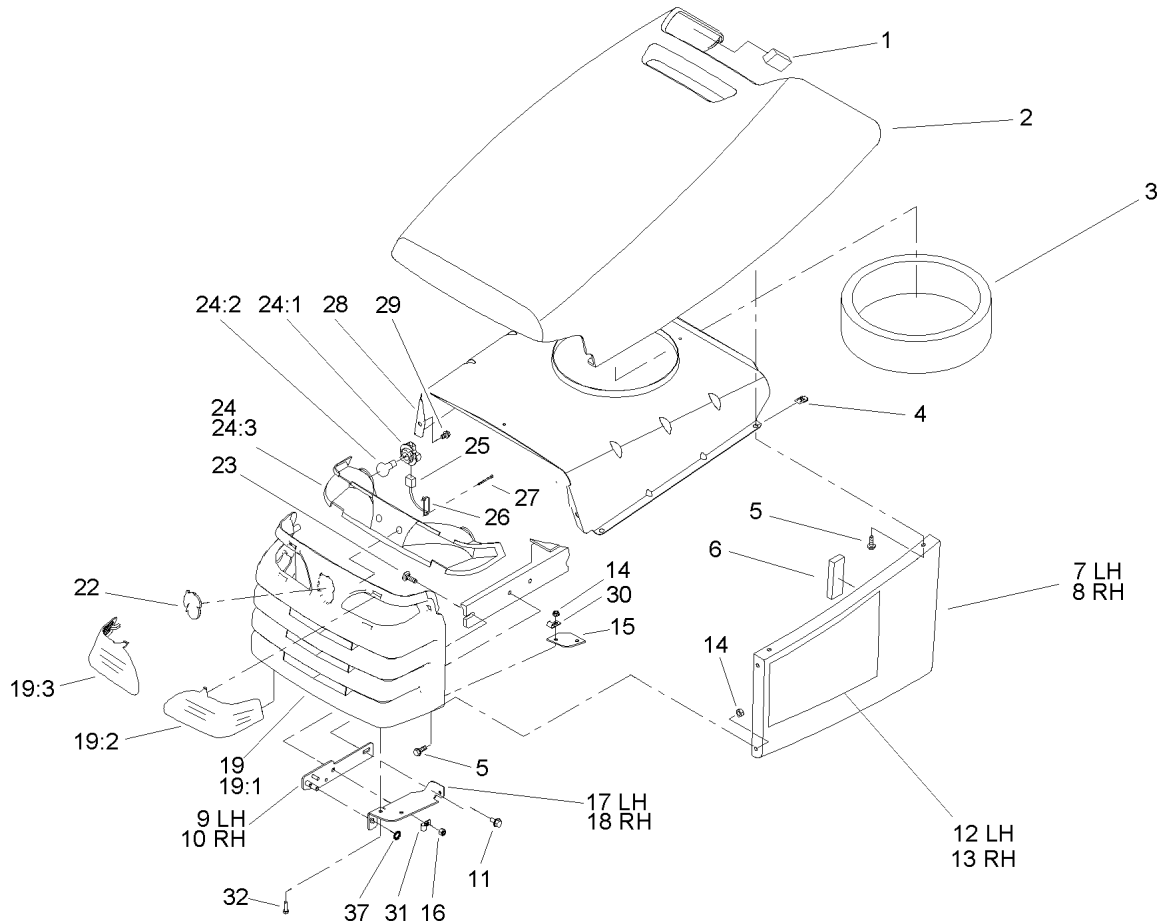
## Part Description Abbreviations

Part descriptions in this catalog may include the following abbreviations.

AR. .... as required	INC. .... incorporated
ASM. .... assembly	LH. .... left hand
CARR. .... carriage	NI. .... nylon insert
DEG. .... degrees	PPH. .... phillips pan head
FH. .... flat head	PTH. .... phillips truss head
GA. .... gauge	PTO. .... power take off
HF. .... hex flange	RH. .... right hand
HH. .... hex head	SFH. .... slotted fillister head
HHF. .... hex head flange	SHH. .... slotted hex head
HHFTF. .... hex head flange thread forming	SHWH. .... slotted hex washer head
HJ. .... hex jam	SPH. .... slotted pan head
HLH. .... hex lag head	SQH. .... square head
HOC. .... height-of-cut	SRH. .... slotted round head
HS. .... hex	STD. .... standard
HSBH. .... hex socket button head	TAP. .... self tapping
HSFH. .... hex socket flat head	TTH. .... torx truss head
HSH. .... hex socket head	WH. .... wing head
HWH. .... hex washer head	
HWHTF. .... hex washer head thread forming	
HYD. .... hydraulic	

## Footnotes

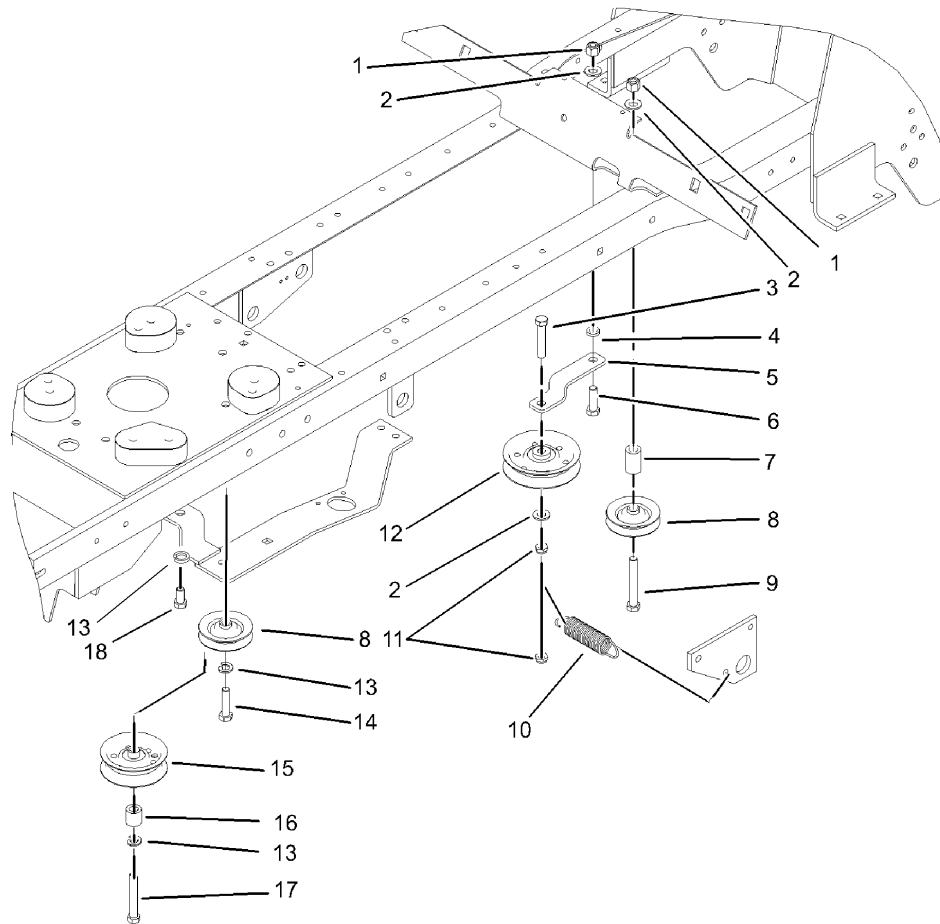
- ❶ Not illustrated
- ❷ Not serviced separately
- ❸ Obtain parts from your local Kawasaki dealer



## Hood and Grill Assembly

Ref	Part No.	Qty.	Description
1	94-1980	2	Foam-Hood
2	93-0490	1	Hood ASM
3	92-7076	1	Seal-Air Inlet, Twin
4	92-7006	4	Nut
5	32105-15	8	Screw
6	92-7148	2	Foam-Sidepanel
7	93-0491	1	Hood-Side, LH
8	93-0492	1	Hood-Side, RH
9	106-5673-03	1	Bracket-Hinge, LH
10	106-5672-03	1	Bracket-Hinge, RH
11	32144-14	2	Screw-HWH
12	107-8902	1	Decal-Hood, LH
13	107-8913	1	Decal-Hood, RH
14	32128-10	8	Nut-Lock, HHF
15	106-5676-03	2	Hinge-Hood
16	3296-29	2	Nut-Lock, NI
17	106-5680-03	1	Bracket-Hood, Hinge, LH
18	106-5682-03	1	Bracket-Hood, Hinge, RH
19		1	Grille ASM
19:1	106-5595	1	Grille
19:2	106-5693	1	Lens-LH
19:3	106-5692	1	Lens-RH
22	95-4248	1	Decal
23	3230-16	2	Screw-CARR

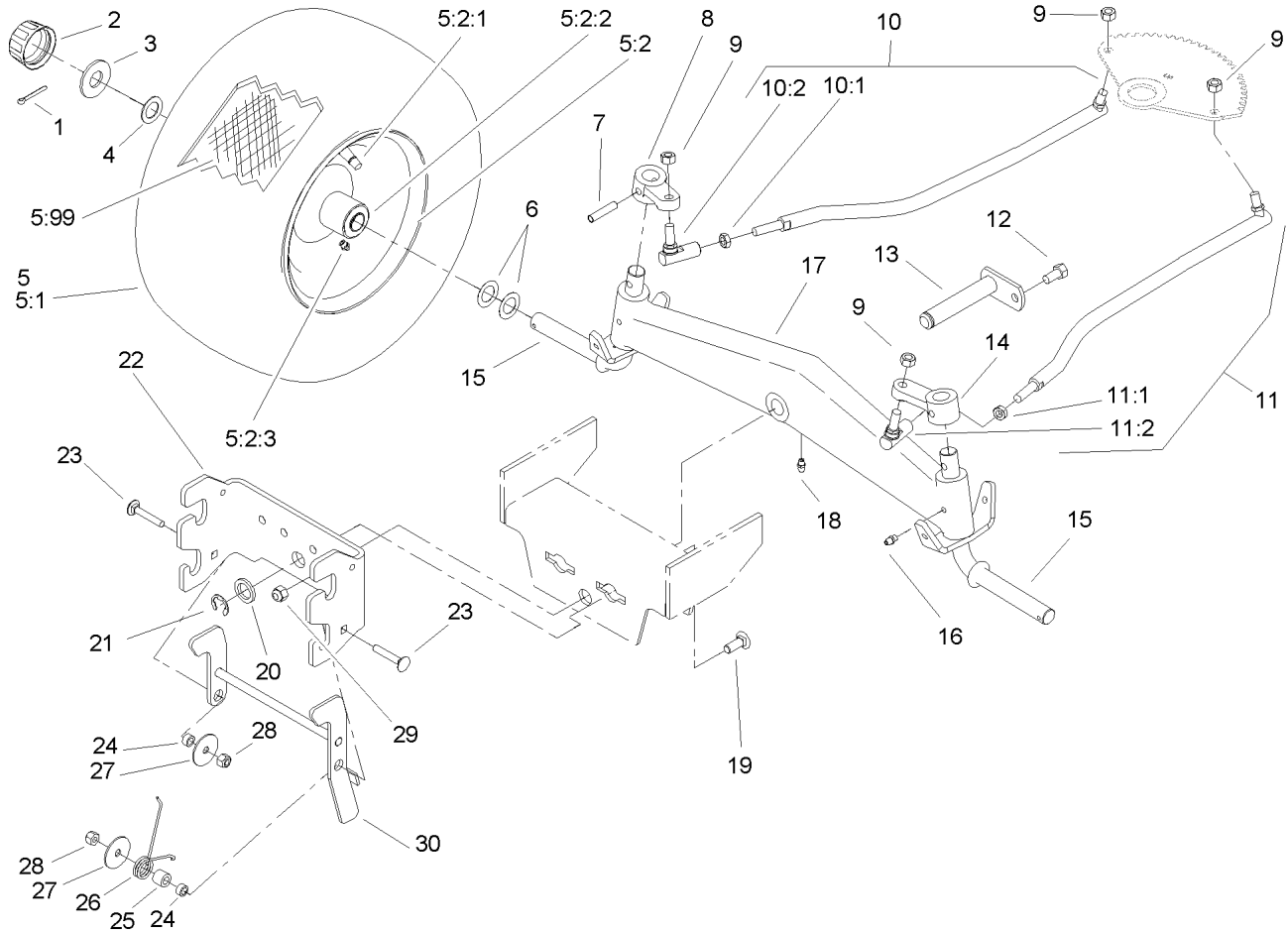
Ref	Part No.	Qty.	Description
24	106-9870	1	Reflector And Lamp ASM
24:1	116262	2	Socket-Headlight
24:2	7228	2	Bulb
24:3	106-9869	1	Reflector
25	106-9890	1	Harness-Wire, Headlights
26	614249	2	Strap-Tie
27	94-6961	2	Screw
28	92-6914-03	1	Baffle-Hood, Upper
29	46-8093	2	Screw-Plastite
30	2412-89	1	Clamp
31	98-2390	1	Clamp-R
32	321-5	4	Screw-HH
37	106-8745	1	O-Ring



## Hydro Drive Assembly

Ref	Part No.	Qty.	Description
1	3296-39	2	Nut-Lock, NI
2	3256-24	3	Washer-Flat
3	323-10	1	Screw-HH
4	106-5597	1	Spacer-Idler, Traction
5	106-5566-03	1	Bracket-Idler
6	323-7	1	Screw-HH
7	106-5565	1	Spacer-Idler
8	93-0320	2	Pulley-Idler
9	323-13	1	Screw-HH
10	106-5598	1	Spring-Extension
11	3296-59	2	Nut-Lock, NI
12	92-7101	1	Pulley-Flat Idler
13	3253-5	3	Washer-Lock
14	323-8	1	Screw-HH
15	92-7104	1	Pulley-Idler
16	106-5574	1	Spacer-Mounting, Steering
17	323-12	1	Screw-HH
18	323-4	1	Screw-HH

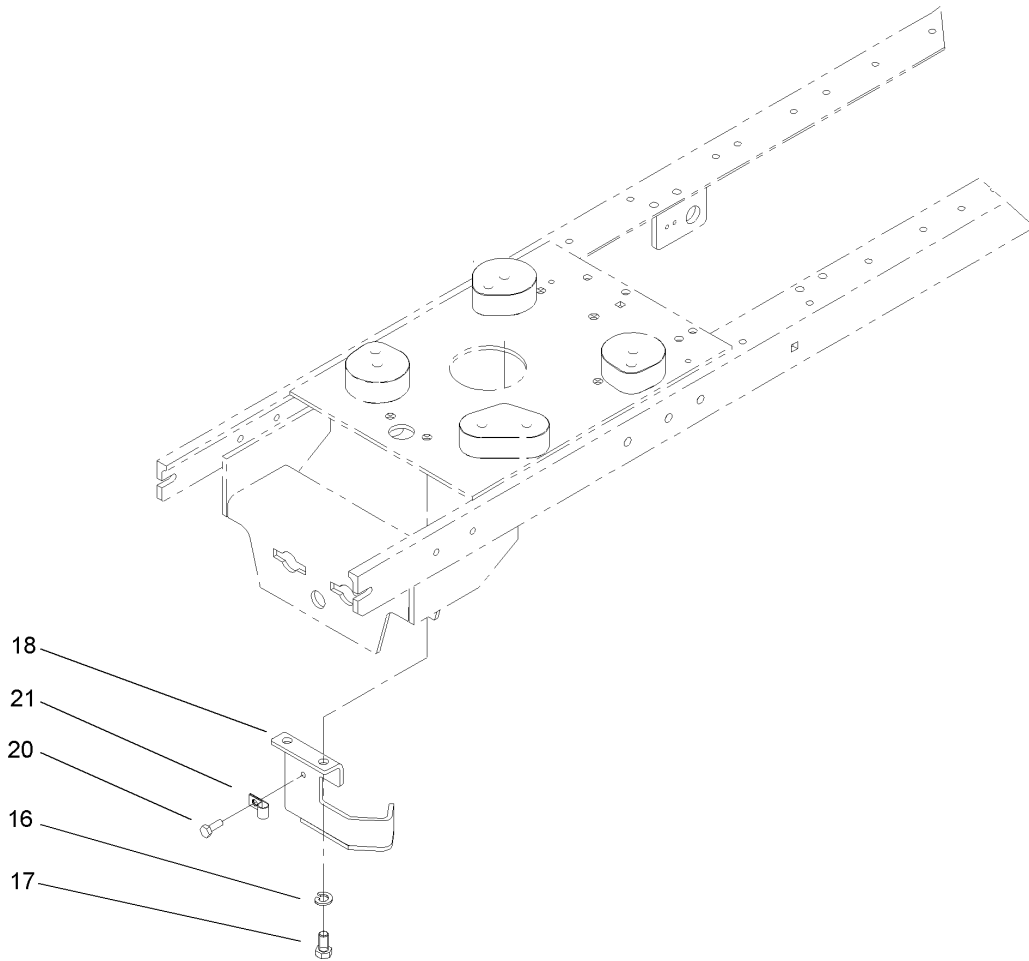
--	--	--	--



## Front Axle and Hitch Assembly

Ref	Part No.	Qty.	Description
1	3272-17	2	Pin-Cotter
2	61-9780	2	Cap-Hub
3	28-2480	2	Washer
4	1278	2	Washer
5		2	Front Wheel And Tire ASM
5:1	99-2336	1	Tire
5:2	93-9801	1	Wheel ASM
5:2:1	5108	1	Valve
5:2:2	110513	2	Bearing-Wheel
5:2:3	109500	1	Zerk-Grease
5:99	105293	1	Tube-Inner
6	5210	4	Washer-Shim
7	933270	2	Pin
8	78-1950-03	1	Spindle-Front Arm
9	9150026	4	Nut
10	92-6883	1	Linkage-Steering, RH
10:1	9150854	1	Nut-Jam
10:2	78-2920	1	Ball-Joint
11	92-6884	1	Linkage-Steering, LH
11:1	9150854	1	Nut-Jam
11:2	78-2920	1	Ball-Joint
12	9267154	1	Screw
13	92-7057-03	1	Pin-Axle
14	78-1940-03	1	Spindle-Front Arm

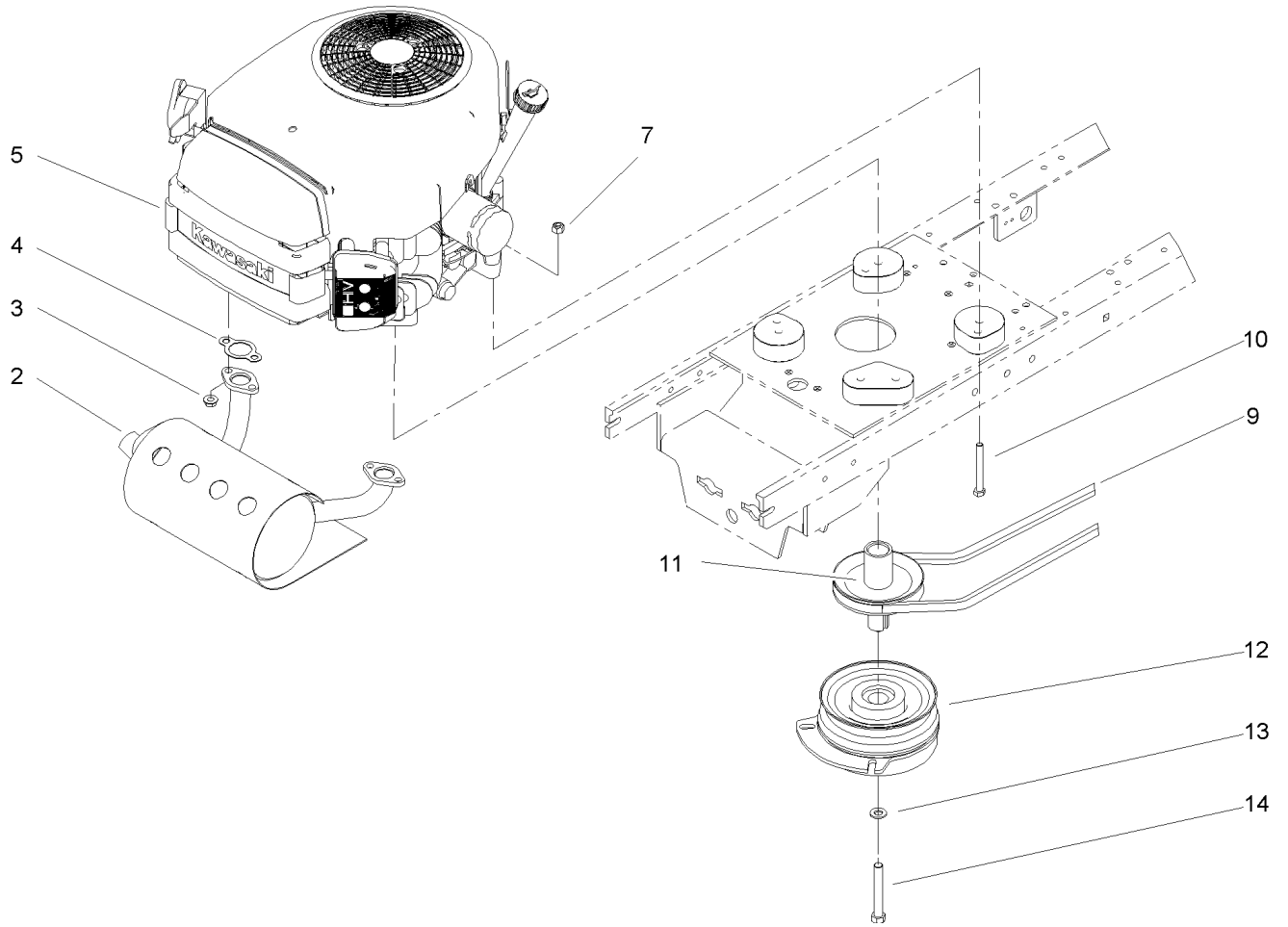
Ref	Part No.	Qty.	Description
15	78-2601-03	2	Spindle
16	302-5	2	Fitting-Grease
17	78-7960-03	1	Axle-Front
18	302-11	1	Fitting-Lube, 45 DEG
19	3231-25	4	Screw-CARR
20	9202324	1	Washer
21	5618	1	E-Ring
22	106-4044-03	1	Hitch-Front
23	3230-5	2	Screw-CARR
24	92-6998	2	Spacer-Yoke, Right
25	107-3677	1	Spacer-Tube
26	106-4048	1	Spring-Torsion
27	3256-68	2	Washer-Flat
28	3296-29	2	Nut-Lock, NI
29	3296-39	4	Nut-Lock, NI
30	106-5637-03	1	Latch ASM



### PTO Stop Assembly

Ref	Part No.	Qty.	Description
16	3253-5	2	Washer-Lock
17	323-4	2	Screw-HH
18	107-3662-03	1	PTO Stop ASM
20	32144-4	1	Screw-HWH
21	2412-89	1	Clamp

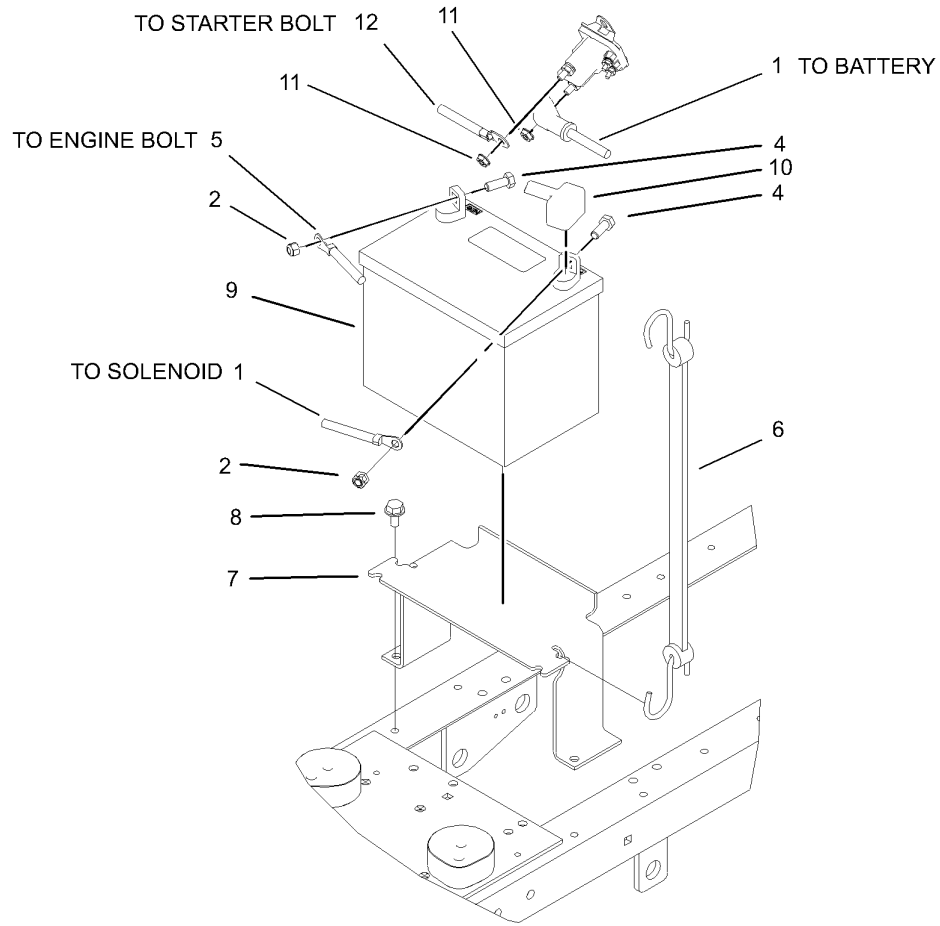
--	--	--	--



## Engine, Muffler and PTO Assembly

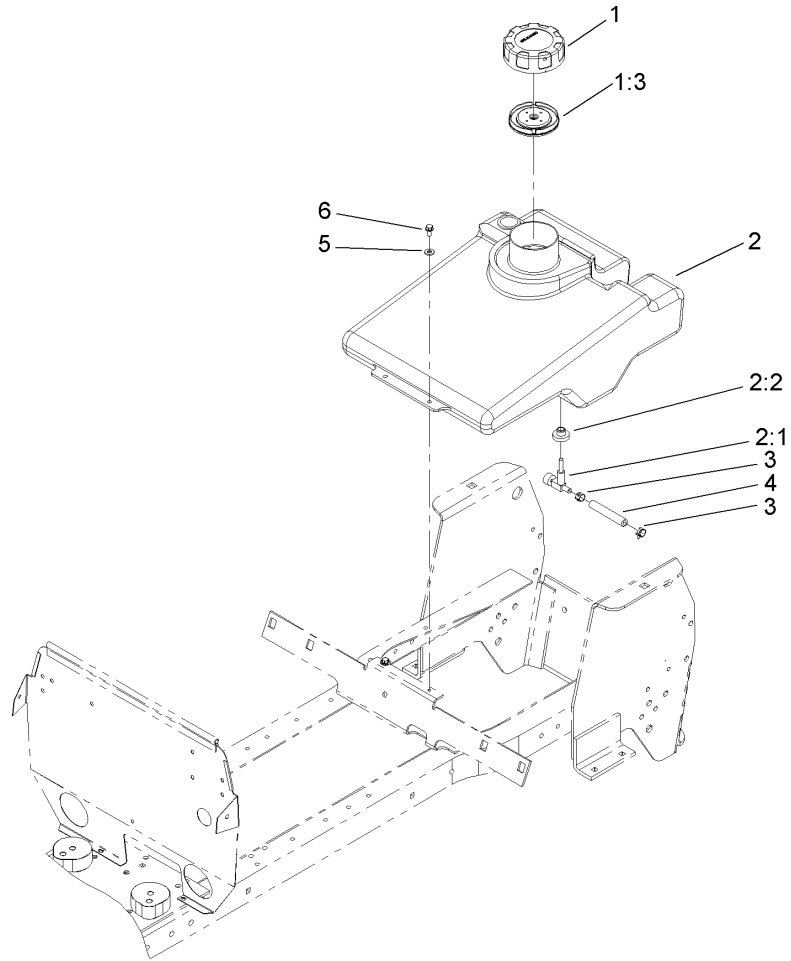
Ref	Part No.	Qty.	Description
2	106-5666	1	Muffler
3	92-6780	4	Nut-HF
4	93-0350	2	Gasket-Exhaust
5		1	Engine-Kawasaki, Fh541v-Bs04
7	3296-29	4	Nut-Lock, NI
9	106-5813	1	V Belt-Traction
10	322-13	4	Screw-HH
11	106-5665	1	Pulley-Engine
12	106-4099	1	Clutch
13	3256-25	1	Washer-Flat
14	3212-19	1	Screw-HH

--	--	--	--



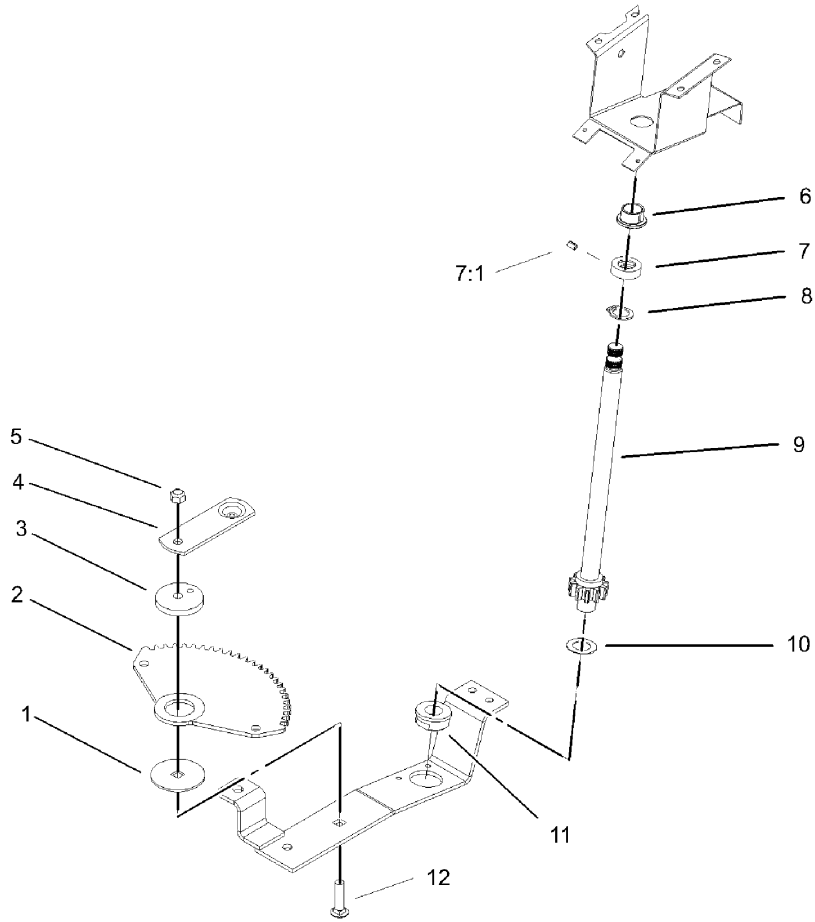
## Battery Assembly

Ref	Part No.	Qty.	Description
1	106-8268	1	Cable-Battery, Red
2	3296-29	2	Nut-Lock, NI
4	322-4	2	Screw-HH
5	105-0836	1	Cable-Battery, Black
6	104-2467	1	Hold-Down, Battery
7	104-0812-03	1	Bracket-Battery
8	32144-14	2	Screw-HWH
9	104-2492	1	Battery
10	28-8080	1	Boot-Terminal
11	32149-2	2	Nut
12	106-8269	1	Cable-Battery, Red



## Fuel Tank Assembly

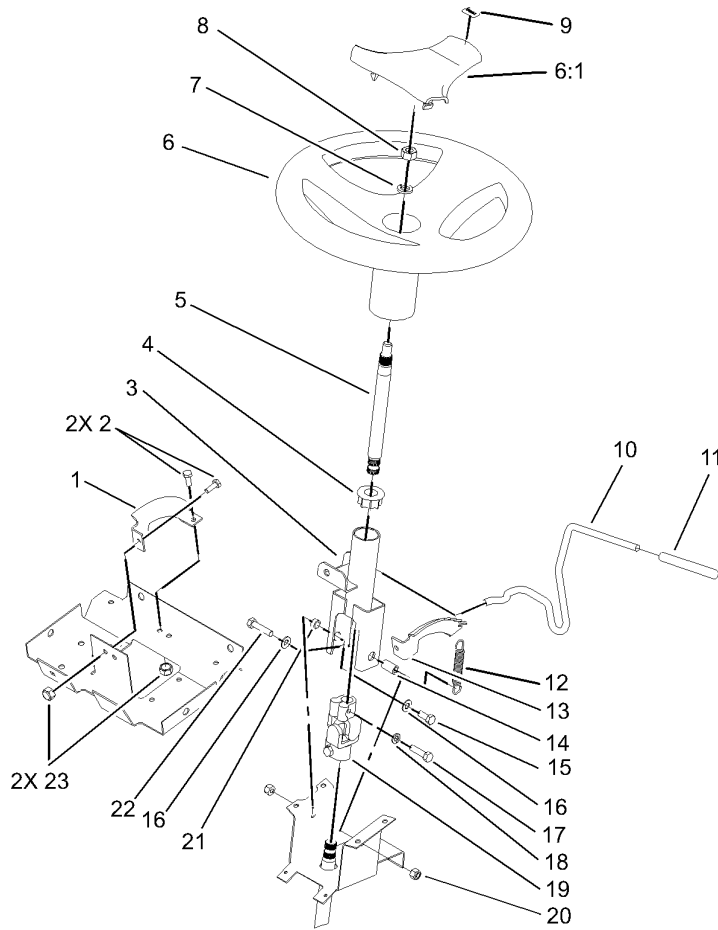
Ref	Part No.	Qty.	Description
1	88-3980	1	Gas Cap ASM
1:3	88-4010	1	Gasket-Cap, Gas
2	94-6928	1	Tank-Gas
2:1	104048	1	Valve-Fuel
2:2	104047	1	Bushing
3	2412-98	2	Clamp
4	106-9876	1	Hose-Fuel Line
5	3256-22	2	Washer-Flat
6	32144-4	2	Screw-HWH



## Lower Steering Wheel and Tilt Assembly

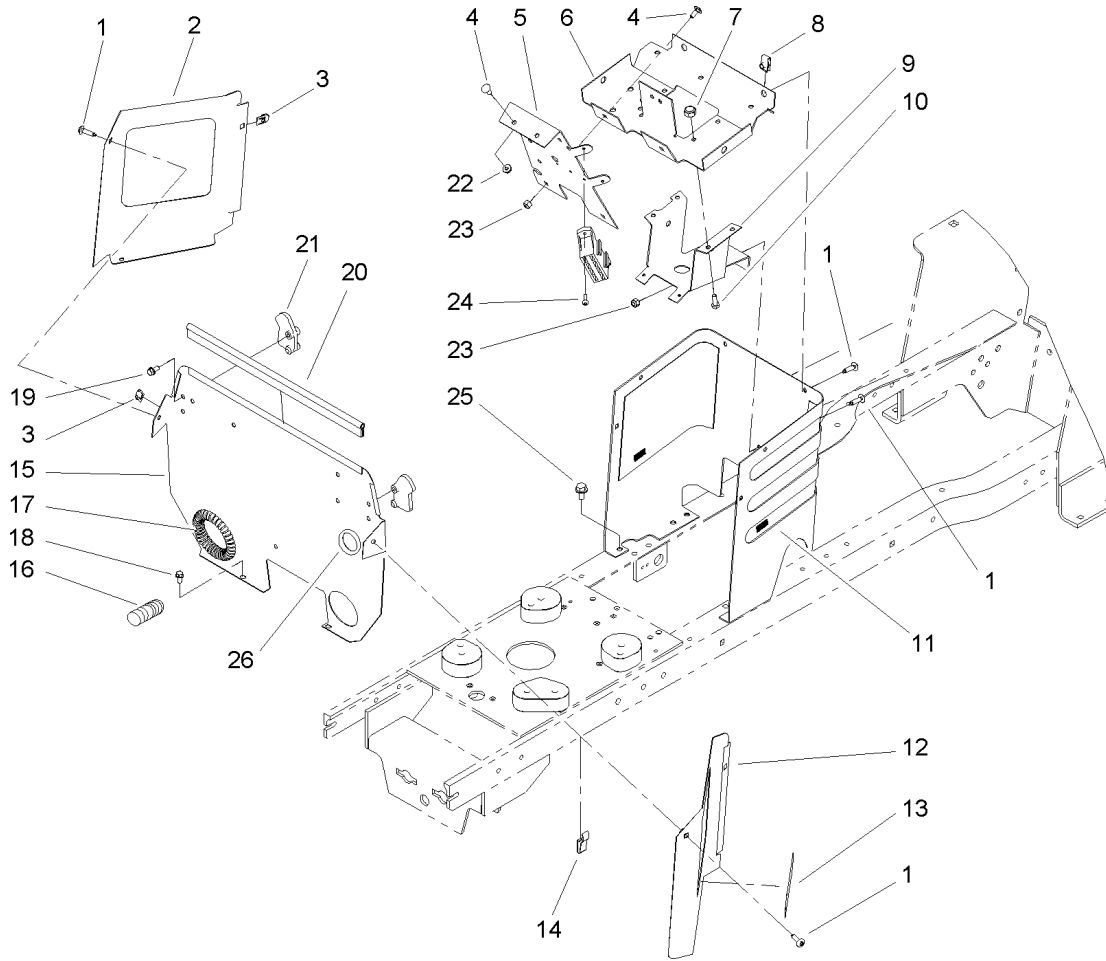
Ref	Part No.	Qty.	Description
1	111419	1	Washer-Bearing
2	106-8262	1	Sector-Gear
3	111418	1	Bushing
4	78-9150-03	1	Plate
5	108881	1	Nut
6	109189	1	Bearing-Flanged
7	111383	1	Collar
7:1	3245-32	1	Screw-HS
8	111646	1	Ring-Retaining
9	92-6702	1	Shaft-Steering Lower
10	1278	1	Washer
11	110391	1	Bearing-Wheel
12	3231-4	1	Screw-CARR

--	--



## Steering Wheel and Tilt Assembly

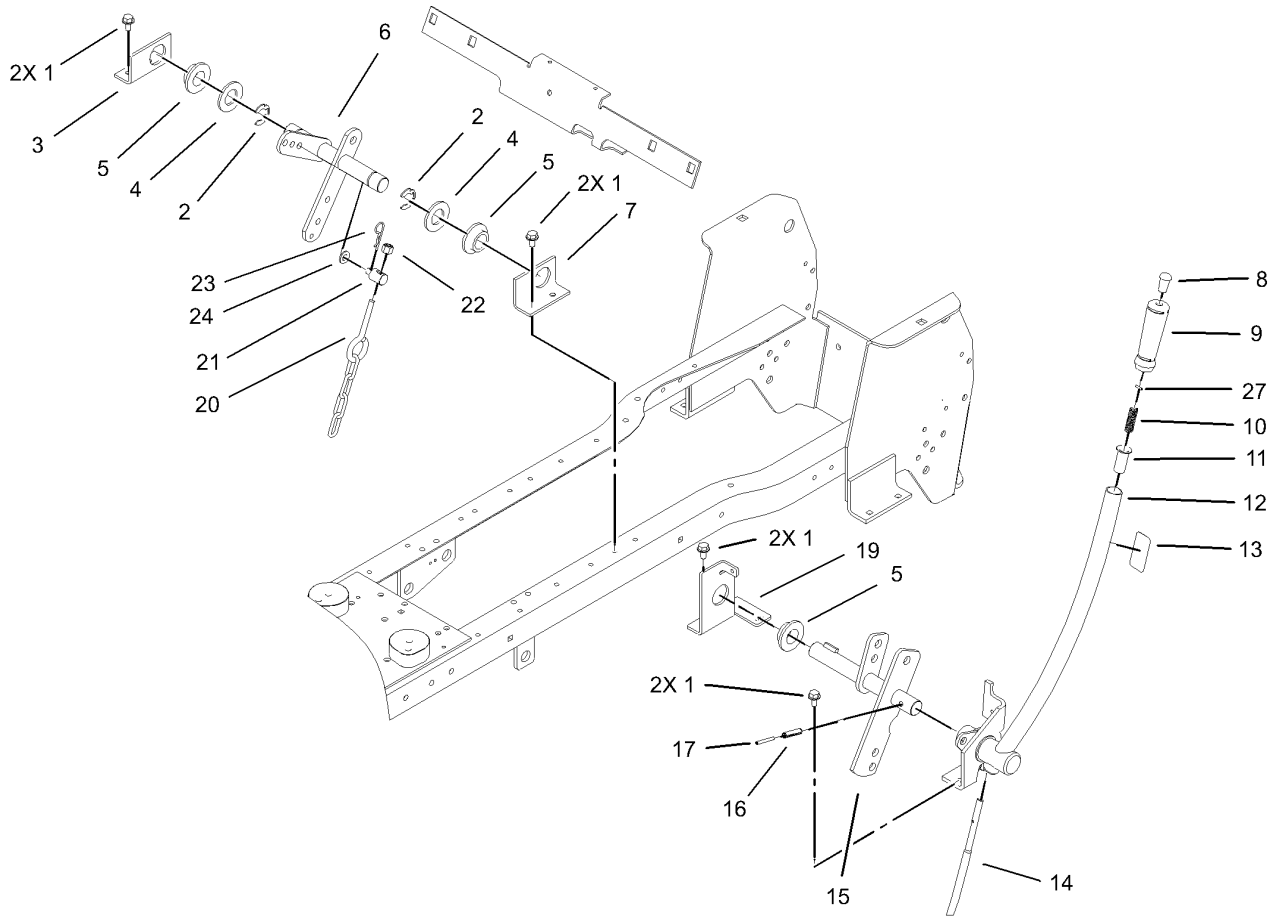
Ref	Part No.	Qty.	Description				
1	92-6777-03	1	Bracket-Support Column				
2	321-4	4	Screw-HH				
3	93-1148-03	1	Column ASM				
4	93-1146	1	Bushing-Upper, Steering				
5	94-2874	1	Shaft-Short, Steering				
6	98-1472	1	Wheel-Steering				
6:1	98-1468	1	Cover-Wheel, Steering				
7	3253-7	1	Washer-Lock				
8	3217-9	1	Nut-Hex				
9	98-1459	1	Decal				
10	92-6971	1	Lever-Tilt				
11	92-6798	1	Cap-Rod, Tilt				
12	93-1357	1	Spring-Extension, Steering				
13	92-6776	1	Bracket-Detent				
14	92-6999	1	Spacer-Yoke				
15	322-3	1	Screw-HH				
16	3256-23	2	Washer-Flat				
17	33114-030	2	Screw-HH				
18	3253-4	2	Washer-Lock				
19	92-6717	1	U Joint-Steering				
20	3296-29	2	Nut-Lock, NI				
21	92-6998	1	Spacer-Yoke, Right				
22	322-17	1	Screw-HH				
23	3296-8	4	Nut-Lock, NI				



## Hoodstand and Firewall Assembly

Ref	Part No.	Qty.	Description
1	92-7020	9	Screw-HH
2	92-6937-03	1	Cover-RH Side ASM
3	92-7006	4	Nut
4	3229-11	4	Screw-CARR
5	106-8246-03	1	Panel-Support, Dash
6	92-6859-03	1	Support-Dash
7	3296-8	4	Nut-Lock, NI
8	107069	4	Clip
9	92-6778-03	1	Bracket-Column, Lower
10	321-4	4	Screw-HH
11	106-5570-03	1	Hoodstand ASM
12	92-6936-03	1	LH Cover ASM
13	106-5817	2	Decal
14	212-93	1	Clamp-Casing
15	104-0818-03	1	Firewall
16	106-4147	1	Harness-Wire
17	24-7924	2	Cover-Drive Shaft
18	32144-4	2	Screw-HWH
19	46-8093	2	Screw-Plastite
20	93-1131	1	Trim-Seal Firewall
21	92-6960	2	Latch-Hood
22	32149-2	2	Nut
23	3296-42	3	Nut-Lock, NI
24	32144-8	2	Screw-HH

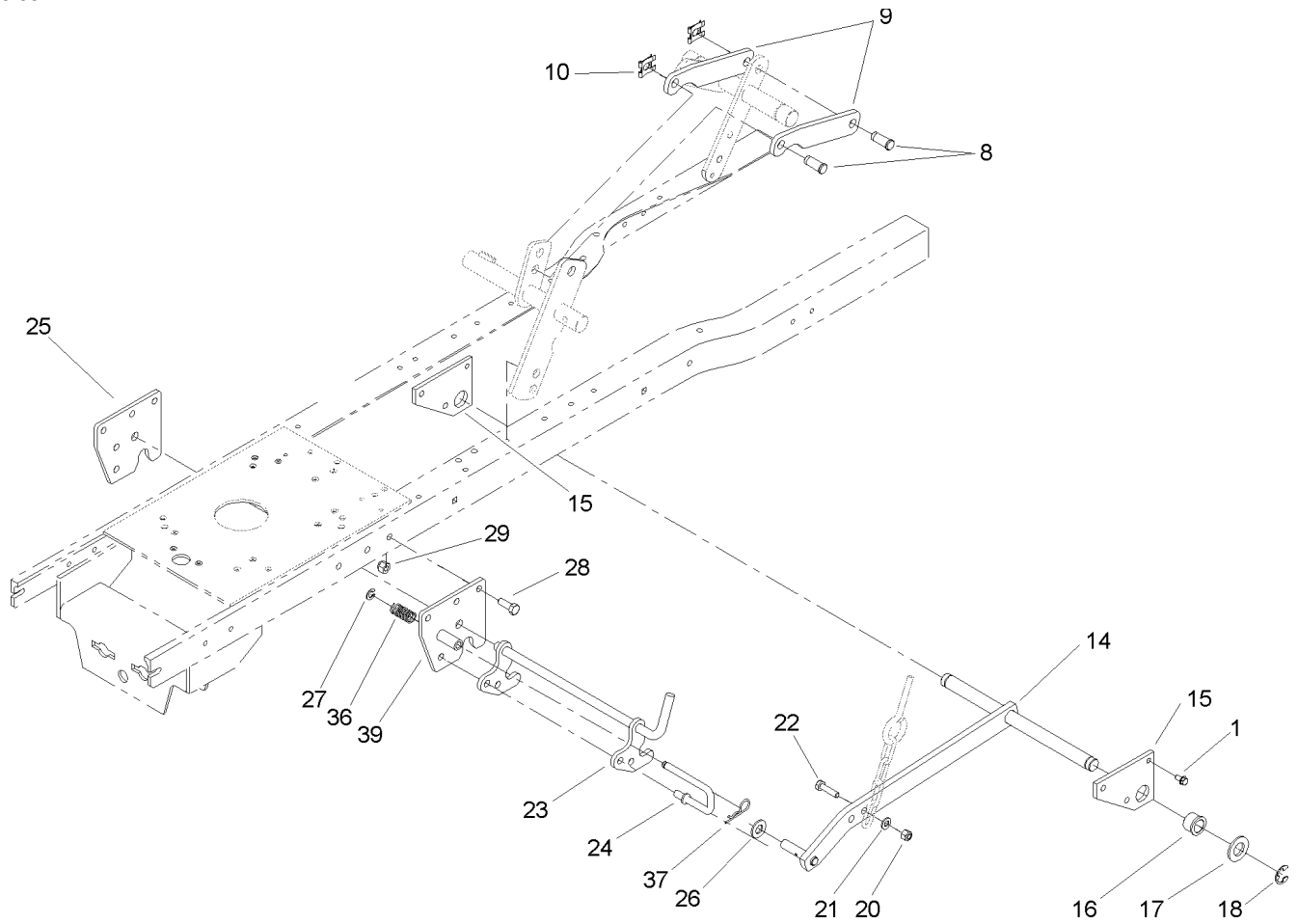
Ref	Part No.	Qty.	Description
25	32144-14	2	Screw-HWH
26	7410076	5	Conduit-Polyethylene



## Manual Lift Lever Assembly

Ref	Part No.	Qty.	Description
1	32144-14	8	Screw-HWH
2	32151-91	2	Ring-Retaining
3	106-5650-03	1	Bracket-Pivot Linkage, RH
4	3256-62	2	Washer-Flat
5	106269	3	Bearing-Flange
6	106-5660-03	1	Lift Lever ASM
7	106-5652-03	1	Bracket-Pivot Linkage, LH
8	92-6711	1	Tip-Rod
9	92-6710	1	Grip-Handle
10	3624	1	Spring-Compression
11	8130	1	Retainer-Spring
12	106-5663-03	1	Lift Lever ASM
13	112168	1	Decal-Lift
14	92-6977-03	1	Rod-Lift Lever
15	106-5656-03	1	Lift Arm ASM
16	32121-25	1	Pin-Roll
17	32121-103	1	Pin-Spring
19	106-4073-03	1	Bracket-Pivot, Lift
20	106522	1	Chain-Lift
21	79-2790	1	Trunnion
22	3296-39	1	Nut-Lock, NI
23	9335054	1	Pin-Hair
24	3256-24	1	Washer-Flat
27	933148	1	Pin-Spirol

--	--	--	--

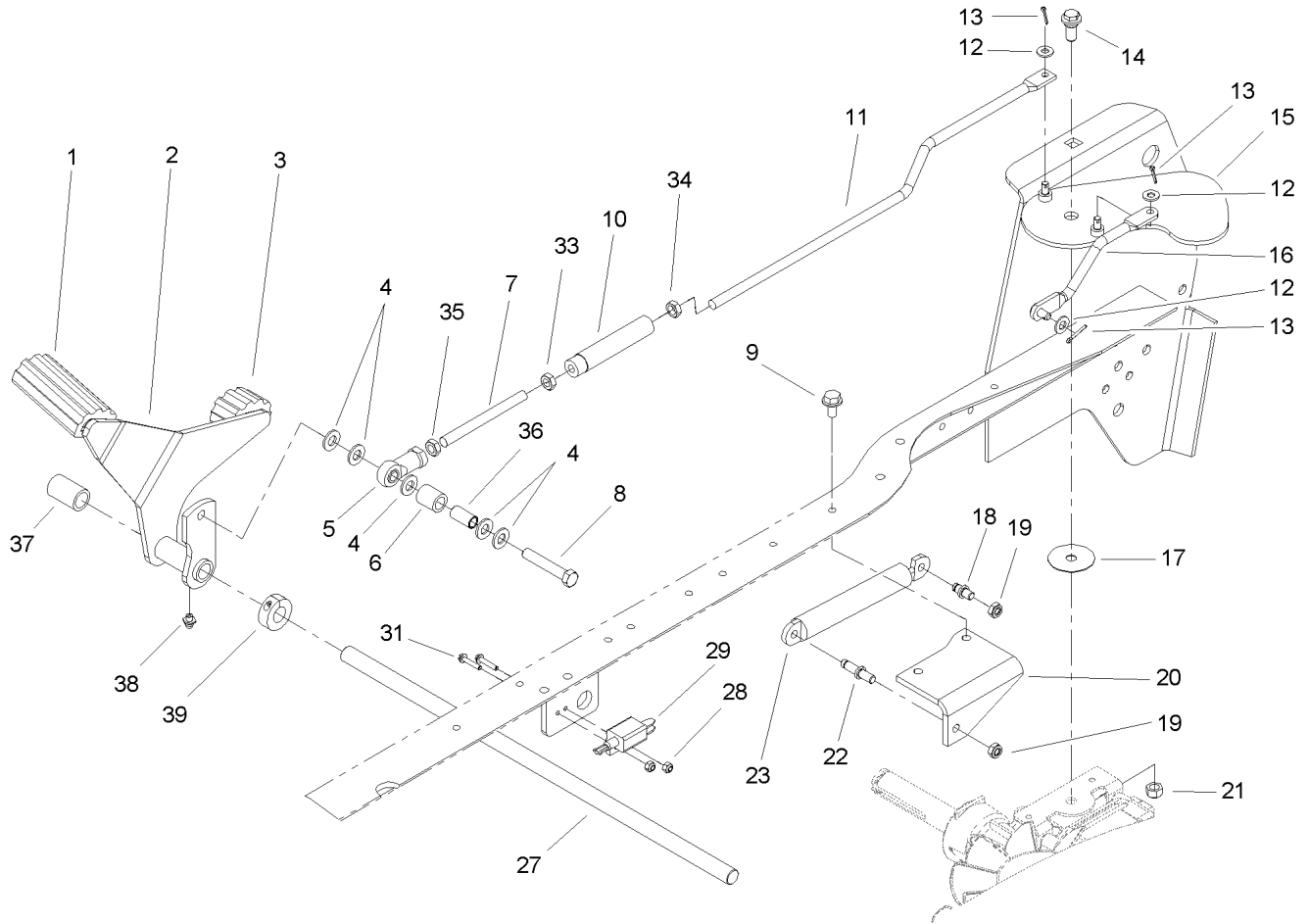


## Lift Assembly

Ref	Part No.	Qty.	Description
1	32144-14	2	Screw-HWH
8	98-1639	2	Pin-Clevis
9	106-5691-03	2	Strap-Link, Lift
10	95-4064	2	Clip-Pin
14	106-4065-03	1	Lift Bar ASM
15	106-4066	2	Plate-Lift, Rear
16	98-1636	2	Bushing-Flange
17	3256-28	2	Washer-Flat
18	32151-48	2	E-Ring
20	3296-29	1	Nut-Lock, NI
21	3256-23	1	Washer-Flat
22	322-6	1	Screw-HH
23	106-4091	1	Midhitch Latch ASM
24	107-3663	1	Rod-Catch
25	106-4060	1	Plate-Hitch
26	3256-26	1	Washer-Flat
27	105797	1	Ring-Retaining
28	323-46	6	Screw-HH
29	3296-39	6	Nut-Lock, NI
36	101853	1	Spring-Compression
37	9335054	1	Pin-Hair
39	107-3665	1	Midhitch ASM

--	--	--	--

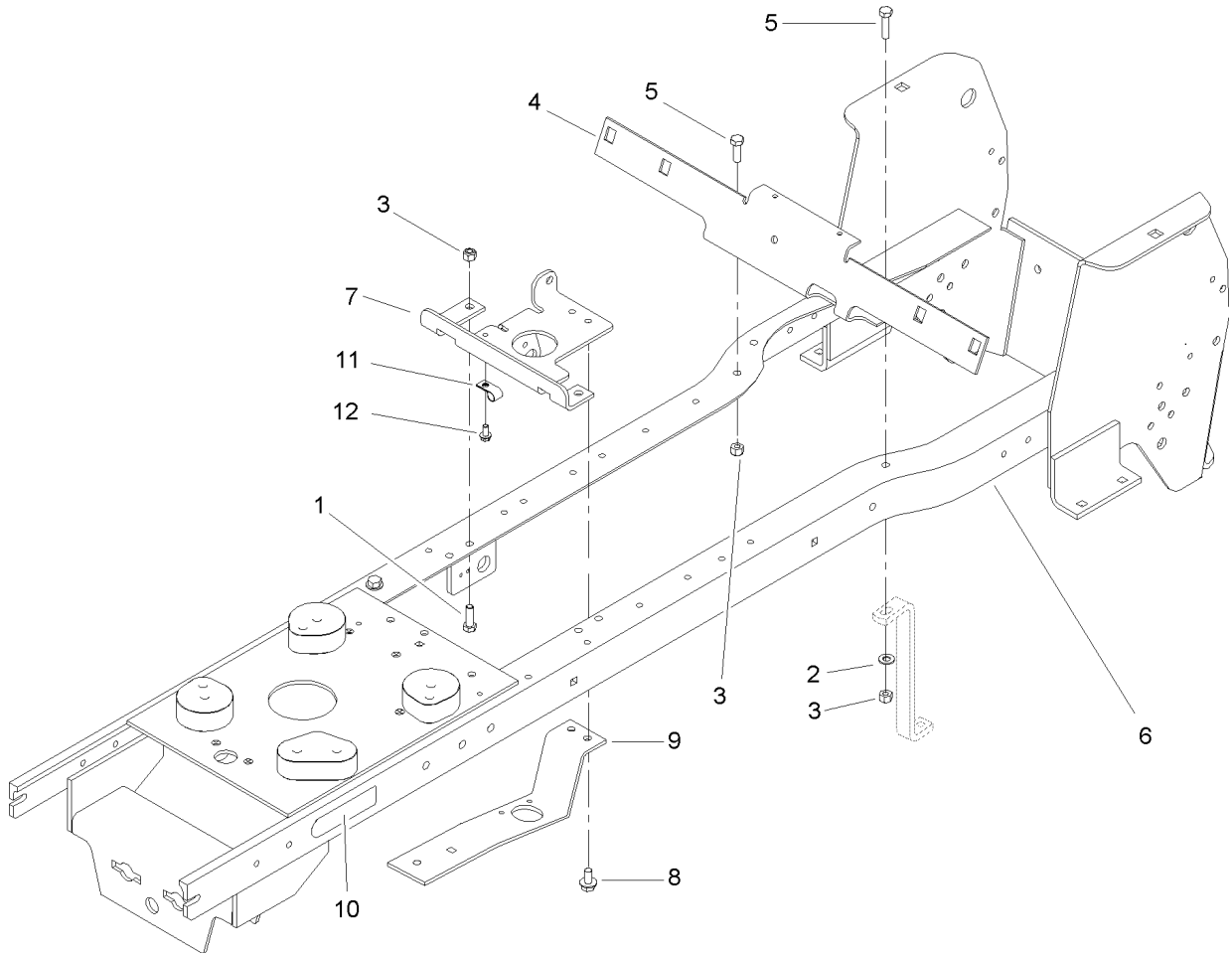




## Hydro Control Assembly

Ref	Part No.	Qty.	Description
1	92-6902	1	Pad-Pedal
2	107-3676-03	1	Hydro Pedal ASM
3	92-6903	1	Pad-Pedal
4	3256-24	5	Washer-Flat
5	92-7008	1	End-Rod, Female
6	106-9939	1	Spacer-Interlock
7	107-3674	1	Rod-Hydro, Front
8	323-11	1	Screw-HH
9	32144-14	1	Screw-HWH
10	95-1504	1	Turnbuckle
11	107-3679	1	Rod-Hydro, Rear
12	3256-23	3	Washer-Flat
13	3272-6	3	Pin-Cotter
14	94-7582	1	Bolt-Shoulder
15	106-5579	1	Cruise Plate ASM
16	106-5577	1	Bell Crank Rod ASM
17	94-7575	1	Spacer-Cruise
18	100-6056	1	Arm-Control, Pin Damper
19	3296-20	2	Nut-Lock, NI
20	106-8247-03	1	Bracket-Damper
21	108881	1	Nut
22	100-6057	1	Pin-Damper Bracket
23	100-8732	1	Damper-Gas
27	94-4944	1	Shaft-Pedal Pivot

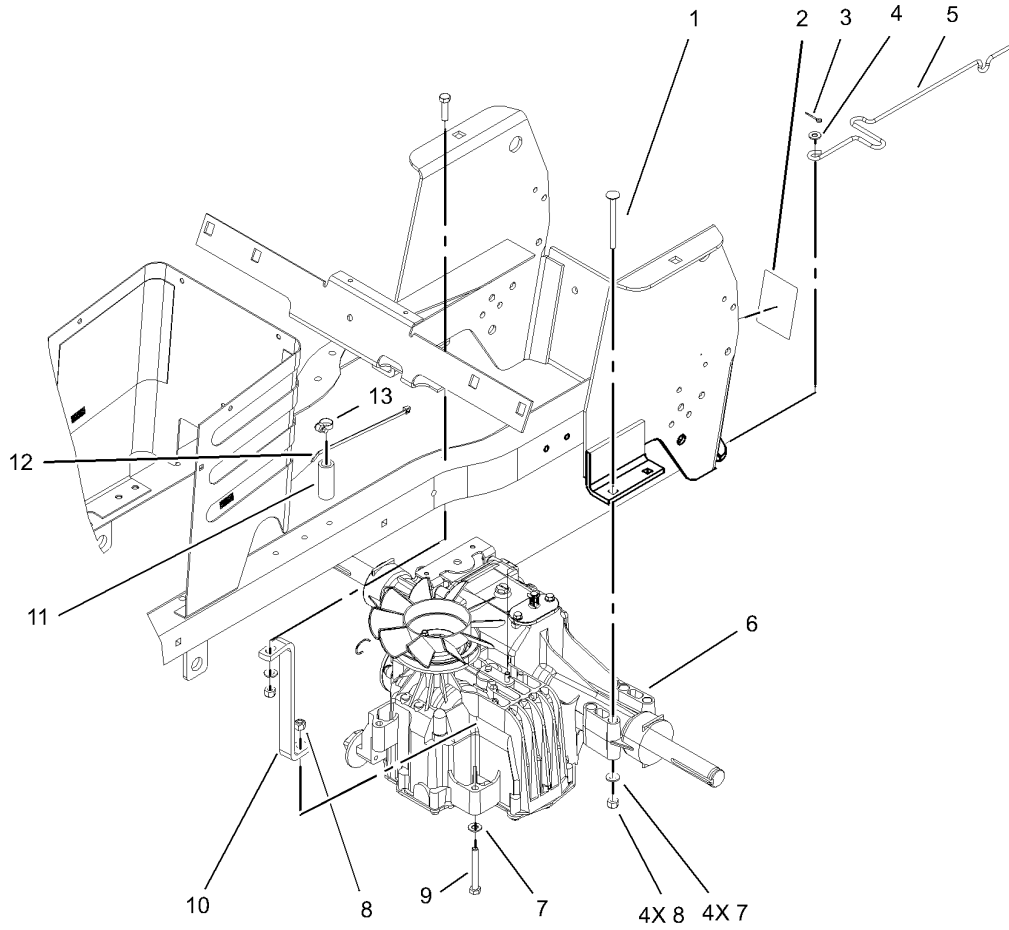
Ref	Part No.	Qty.	Description
28	3296-1	2	Nut-Lock
29	106-4145	1	Switch-Adjustable
31	32105-29	2	Screw-SHWH
33	3220-3	1	Nut-Jam
34	106-8248	1	Nut-Jam
35	3218-3	1	Nut-Jam
36	76-1920	1	Sleeve-Bearing
37	92-6966	1	Spacer
38	302-26	1	Fitting-Grease
39	107-8453	1	Collar-Locking



## Frame Assembly

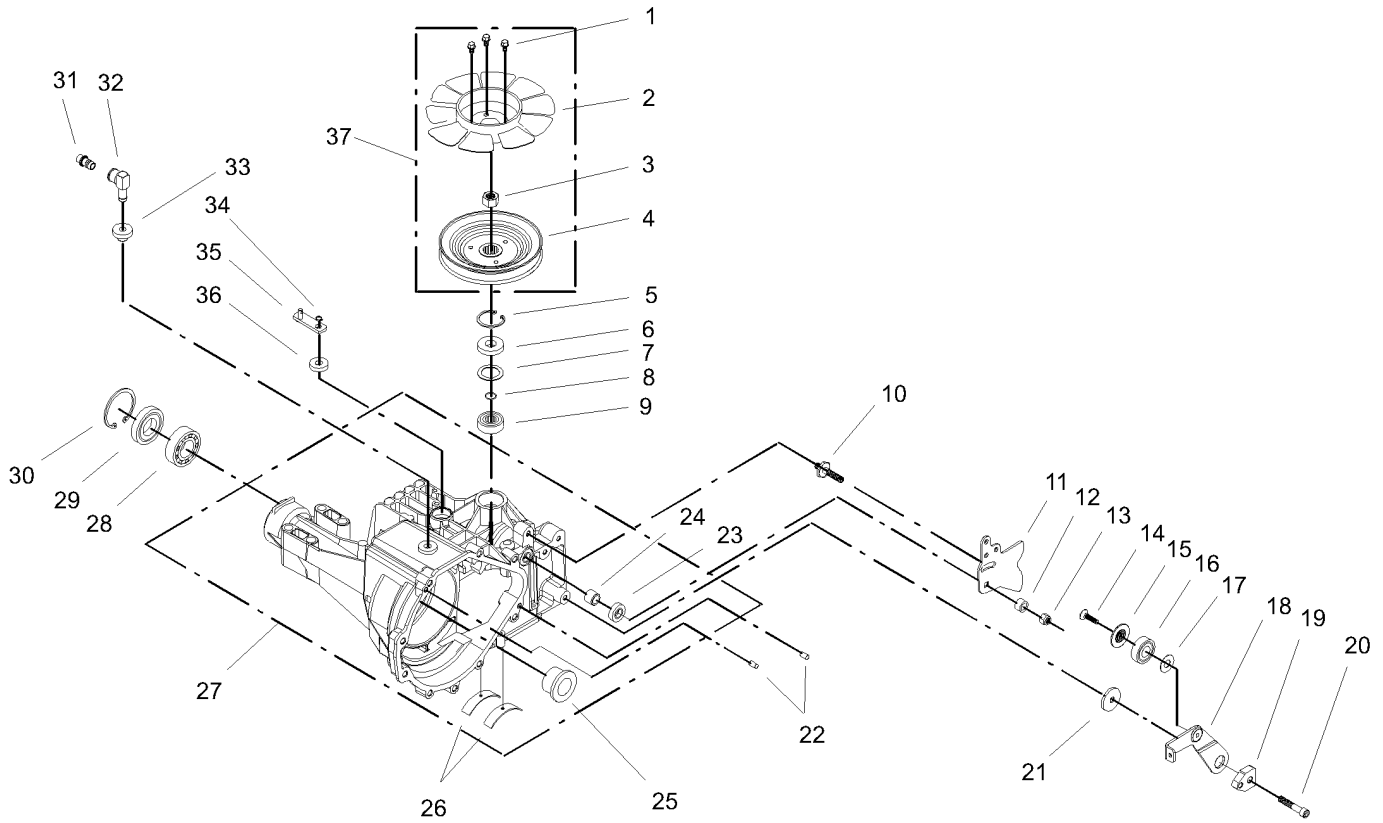
Ref	Part No.	Qty.	Description
1	322-5	2	Screw-HH
2	3256-23	1	Washer-Flat
3	3296-29	4	Nut-Lock, NI
4	106-5564-03	1	Support-Fender
5	322-6	2	Screw-HH
6	107-8451-03	1	Frame ASM
7	106-4074-03	1	Bracket-Support, Steering
8	32144-14	2	Screw-HWH
9	106-5573-03	1	Steering Bracket ASM
10	92-8747	2	Decal-Attach-A-Matic
11	2412-89	1	Clamp
12	32144-4	1	Screw-HWH

--	--	--	--



## Hydro Transaxle Assembly

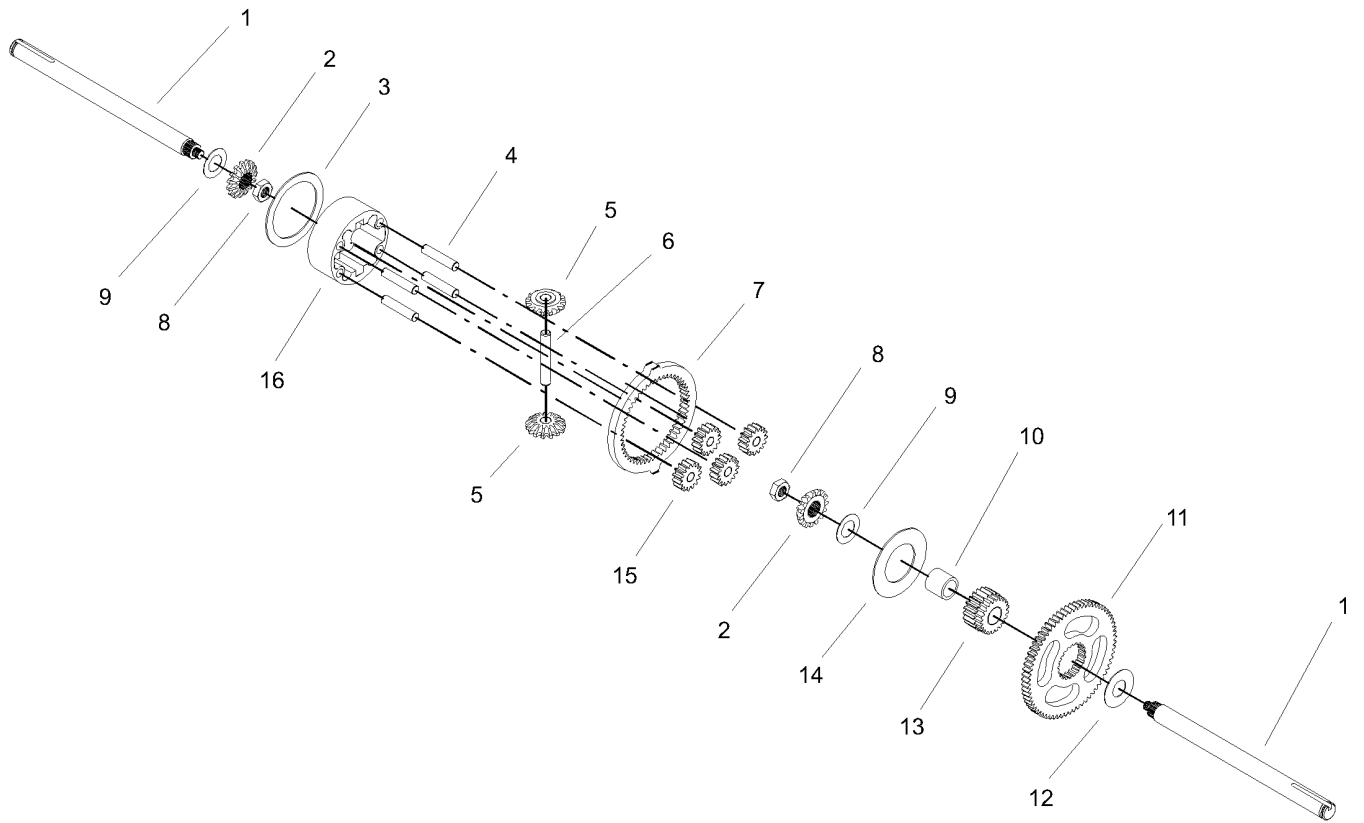
Ref	Part No.	Qty.	Description	
1	3230-11	4	Screw-CARR	
2	92-6726	1	Decal-Hydro Valve	
3	3272-2	1	Pin-Cotter	
4	3256-22	1	Washer-Flat	
5	104-5037	1	Rod-Bypass	
6	104-4310	1	Transaxle-Hydrostatic	
7	3256-23	5	Washer-Flat	
8	3296-29	5	Nut-Lock, NI	
9	322-11	1	Screw-HH	
10	100-1343-03	1	Strap-Torque	
11	106-5588	1	Hose-Breather	
12	614249	1	Strap-Tie	
13	2412-119	1	Clamp-Worm	



## Housing and Fan Assembly Transaxle Assembly No. 104-4310

Ref	Part No.	Qty.	Description
1	104-2164	3	Screw
2	104-2162	1	Fan
3	104-2168	1	Nut-Hex
4	104-2161	1	Pulley
5	94-1903	1	Ring-Retaining
6	92-6543	1	Seal-Lip
7	104-2104	1	Spacer
8	94-1902	1	Ring-Wire, Retaining
9	94-1904	1	Bearing-Shaft, Ball
10	104-2116	1	Stud
11	100-6093	1	Arm-Control
12	104-2163	1	Spacer-Trunnion
13	104-2159	1	Nut-Hex Lock
14	104-2158	1	Screw-Countersunk
15	104-2157	1	Spacer-Locating
16	104-2156	1	Bearing
17	94-1933	1	Washer
18	104-2114	1	Arm-Return
19	104-2119	1	Puck-Adjusting
20	104-2155	1	Screw
21	104-2154	1	Washer
22	104-2170	2	Pin
23	92-6544	1	Seal-Lip
24	104-2113	1	Bushing-Trunnion

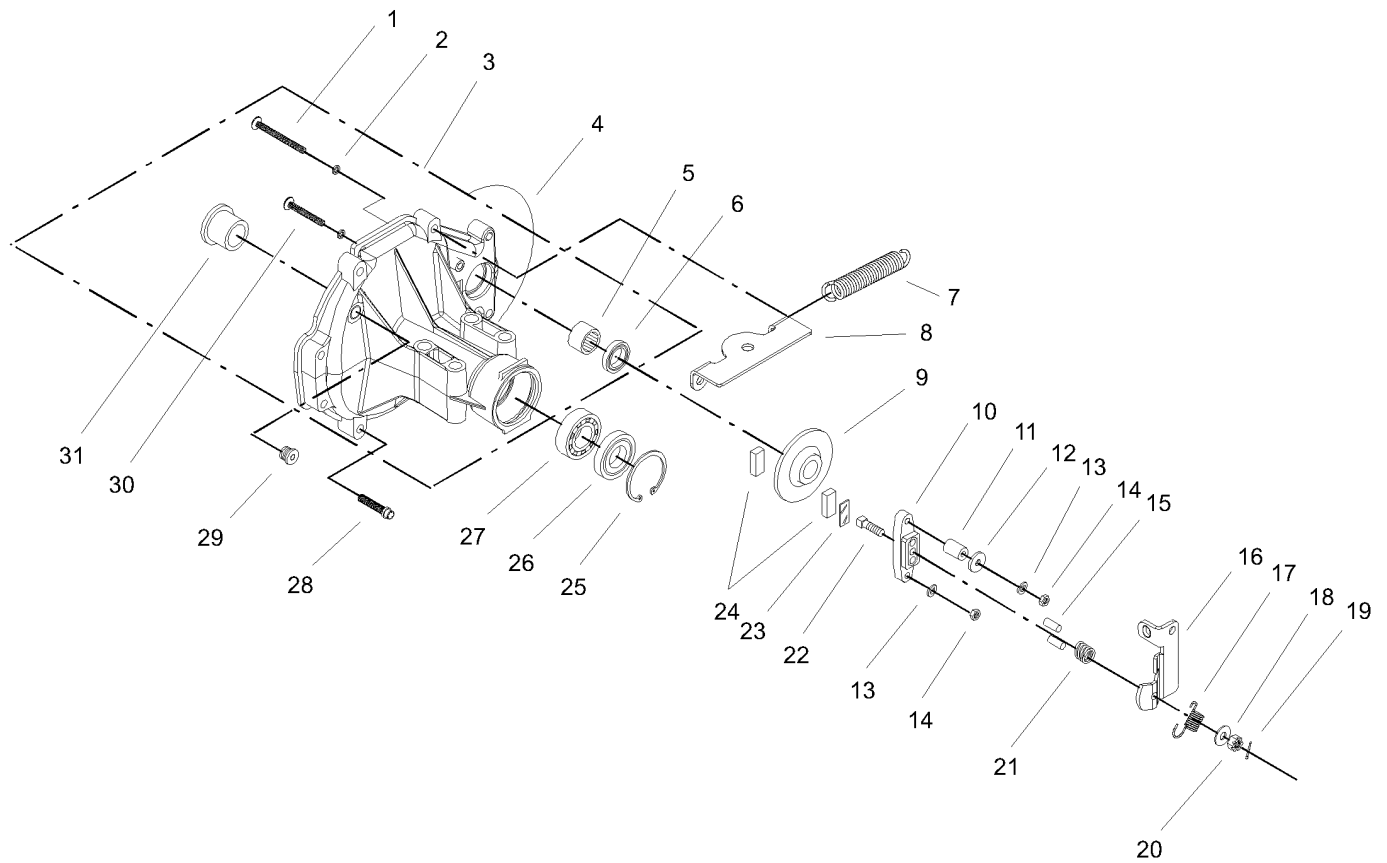
Ref	Part No.	Qty.	Description
25	104-2139	2	Bearing-Flange
26	94-1905	2	Bearing-Cradle
27	104-2101	1	Main Housing ASM
28	104-2143	2	Bearing-Ball
29	104-2144	2	Seal
30	104-2169	2	Ring-Retaining
31	104-2167	1	Vent Cap ASM
32	104-2166	1	Fitting
33	104-2165	1	Bushing-Rubber
34	936109	1	Ring-Retaining
35	104-2117	1	Arm-Bypass
36	92-6545	1	Seal-Lip
37	104-2190	1	Fan Pulley Kit



## Differential Gear Assembly Transaxle Assembly No. 104-4310

Ref	Part No.	Qty.	Description
1	104-2145	2	Shaft-Axle
2	104-2135	2	Gear-Miter
3	104-2138	1	Plate-Thrust
4	104-2128	4	Pin-Carrier
5	104-2136	2	Gear-Miter
6	104-2137	1	Shaft
7	104-2133	1	Gear-Ring, 51t
8	104-2142	2	Nut-HJ
9	104-2140	2	Washer
10	104-2160	1	Bearing-Sleeve
11	104-2130	1	Gear-Spur, 67t
12	104-2141	1	Washer
13	104-2131	1	Gear-Sun, 21t
14	104-2132	1	Plate-Thrust, Planet
15	104-2129	4	Gear-Planet, 15t
16	104-2134	1	Carrier-Planetary

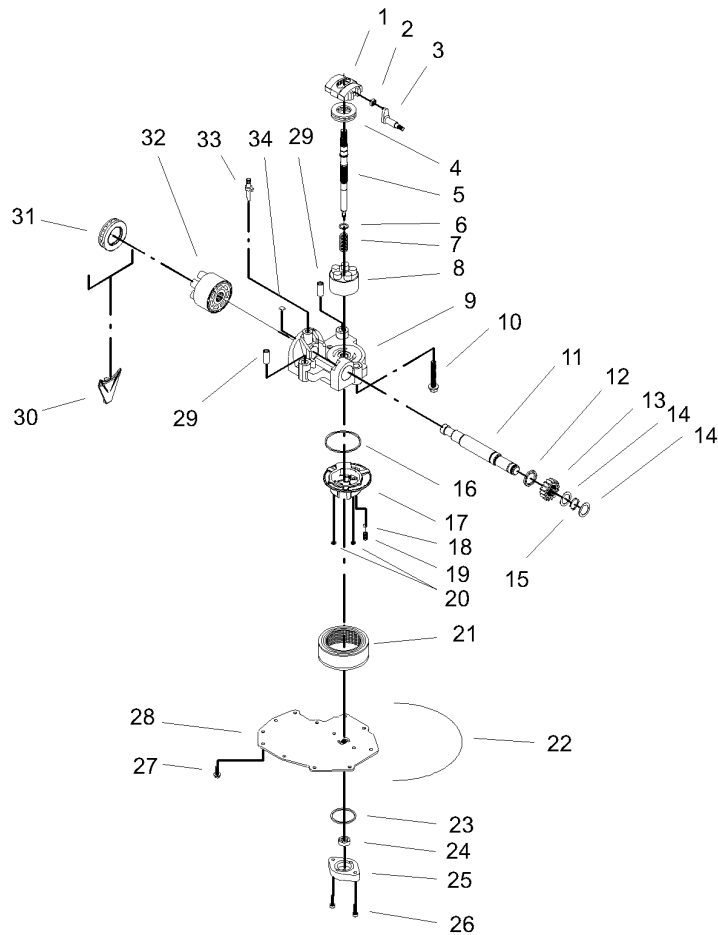
--	--	--	--



## Brake Assembly Transaxle Assembly No. 104-4310

Ref	Part No.	Qty.	Description
1	104-2182	1	Bolt
2	104-2191	4	O-Ring
3	104-2102	1	RH Housing ASM
4	104-2147	1	Sealant
5	104-2149	1	Bearing-Needle
6	104-2152	1	Seal-Lip
7	104-2118	1	Spring-Return
8	100-1349	1	Bracket-Bell Crank
9	104-2153	1	Disk-Brake
10	104-2173	1	Yoke-Brake
11	104-2180	1	Spacer
12	104-2183	1	Washer
13	104-2177	2	Washer-Lock
14	104-2178	2	Nut
15	104-2176	2	Pin-Brake
16	104-0841	1	Arm-Brake
17	104-2184	1	Spring-Arm, Brake
18	104-2146	1	Washer
19	104-2179	1	Pin-Cotter
20	93-3807	1	Nut-Castle
21	104-2188	1	Spring-Brake, Anti Drag
22	104-2174	1	Bolt-SQH
23	104-2181	1	Puck-Plate
24	104-2171	2	Puck-Brake

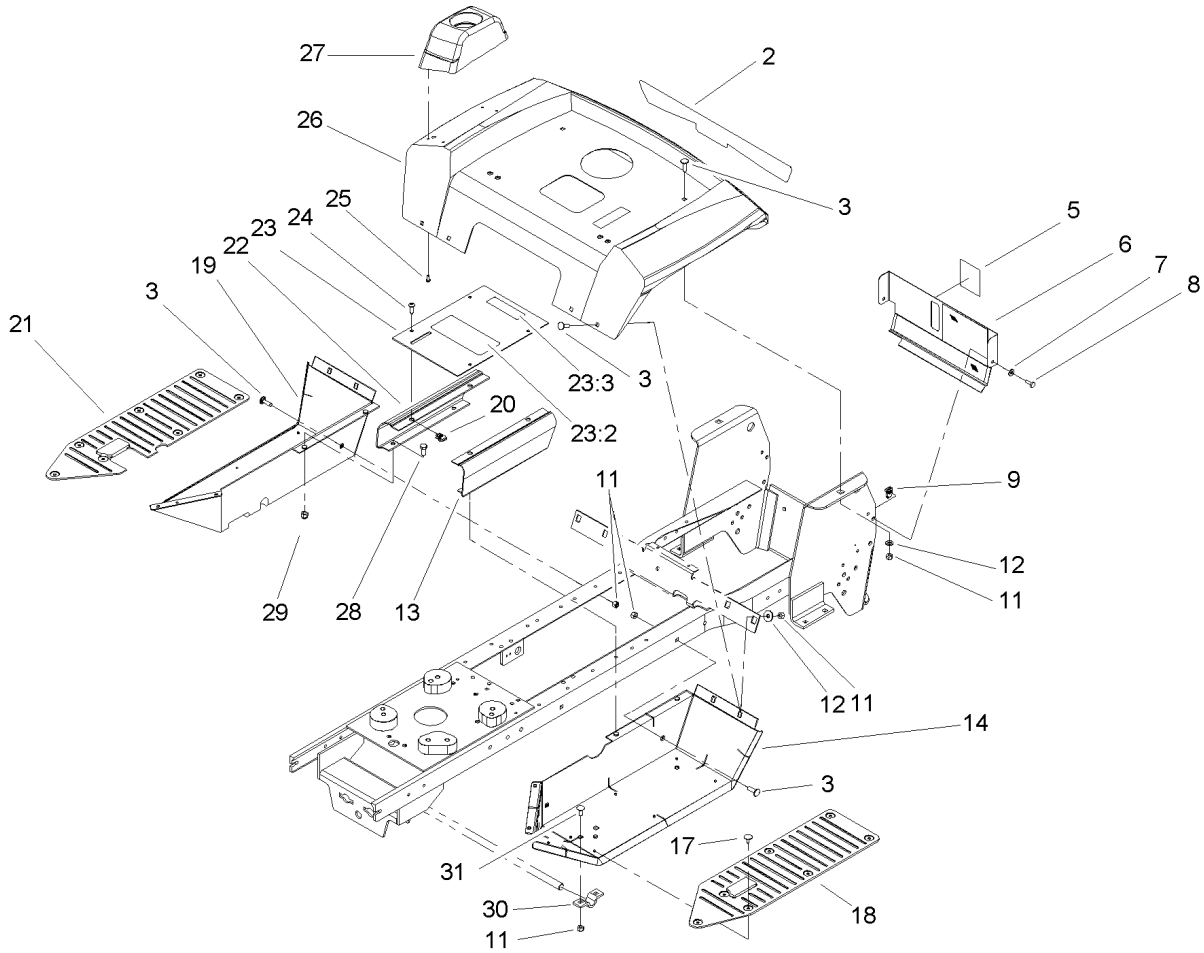
Ref	Part No.	Qty.	Description
25	104-2169	2	Ring-Retaining
26	104-2144	2	Seal
27	104-2143	2	Bearing-Ball
28	104-2148	9	Screw-TTH
29	104-2189	1	Plug-Thread, Straight
30	104-2172	1	Bolt
31	104-2139	2	Bearing-Flange



## Cylinder Block Assembly Transaxle Assembly No. 104-4310

Ref	Part No.	Qty.	Description
1	94-1907	1	Swashplate-Variable
2	94-1910	1	Guide-Slot
3	104-2112	1	Trunnion ASM
4	94-6922	1	Bearing-Thrust
5	104-2105	1	Shaft-Input
6	94-1937	1	Washer-Block, Thrust
7	94-1936	1	Spring-Block
8	104-2106	1	Cylinder Block ASM
9	104-2103	1	Center Section Kit
10	94-6926	3	Bolt
11	104-2107	1	Shaft-Output
12	104-2109	1	Spacer
13	104-2110	1	Gear-Pinion, 16t
14	104-2150	2	Washer
15	104-2151	1	Ring-Retaining
16	104-2185	1	O-Ring
17	104-2156	1	Bearing
18	104-2187	1	Ball
19	104-2186	1	Spring-Relief
20	104-2191	4	O-Ring
21	104-2125	1	Filter
22	104-2147	1	Sealant
23	104-2123	1	O-Ring
24	104-2122	1	Gerotor ASM

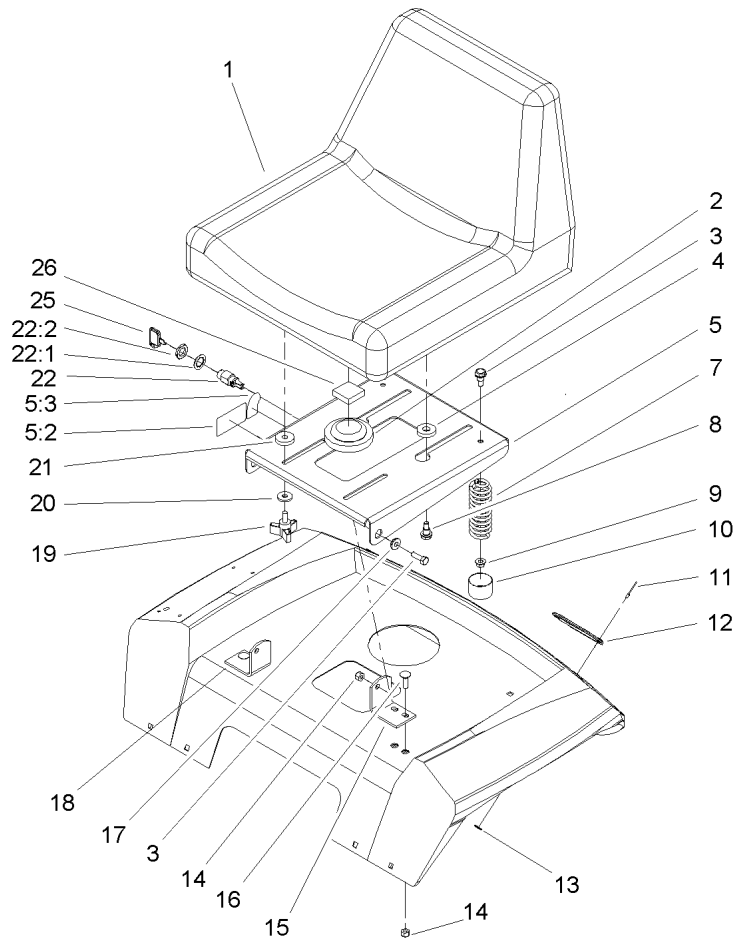
Ref	Part No.	Qty.	Description
25	104-2124	1	Cover-Gerotor
26	104-2111	2	Capscrew
27	104-2120	11	Screw
28	104-2121	1	Cover-Lower
29	94-1927	2	Pin
30	104-2127	1	Retainer-Motor Bearing
31	94-6923	1	Bearing-Thrust
32	94-1913	1	Cylinder Block ASM
33	94-1914	1	Actuator-Bypass
34	94-6925	1	Plate-Bypass



## Fender and Footrest Assembly

Ref	Part No.	Qty.	Description
2	106-5845	1	Decal-Fender, Rear
3	3230-31	10	Screw-CARR
5	92-6727	1	Decal-Fuel Level
6	99-6765-03	1	Rear Panel ASM
7	3256-22	2	Washer-Flat
8	321-4	2	Screw-HH
9	609900	2	Nut-Speed
11	3296-29	14	Nut-Lock, NI
12	94-2869	6	Washer
13	106-5594-03	1	Channel-Saddle, LH
14	92-6746-01	1	Footrest-LH
17	3290-479	14	Fastener-Panel
18	92-6688	1	Footpad-LH
19	92-6747-01	1	Footrest-RH
20	107069	4	Clip
21	92-6687	1	Footpad-RH
22	106-5593-03	1	Channel-Saddle, RH
23	107-9213	1	Saddle Plate Decal ASM
23:2	93-0302	1	Decal-Danger
23:3	83-6620	1	Decal-Instruction
24	92-7020	4	Screw-HH
25	32144-20	4	Screw-Thread Forming
26	106-5583-01	1	Fender ASM
27	104-0838	1	Holder-Cup

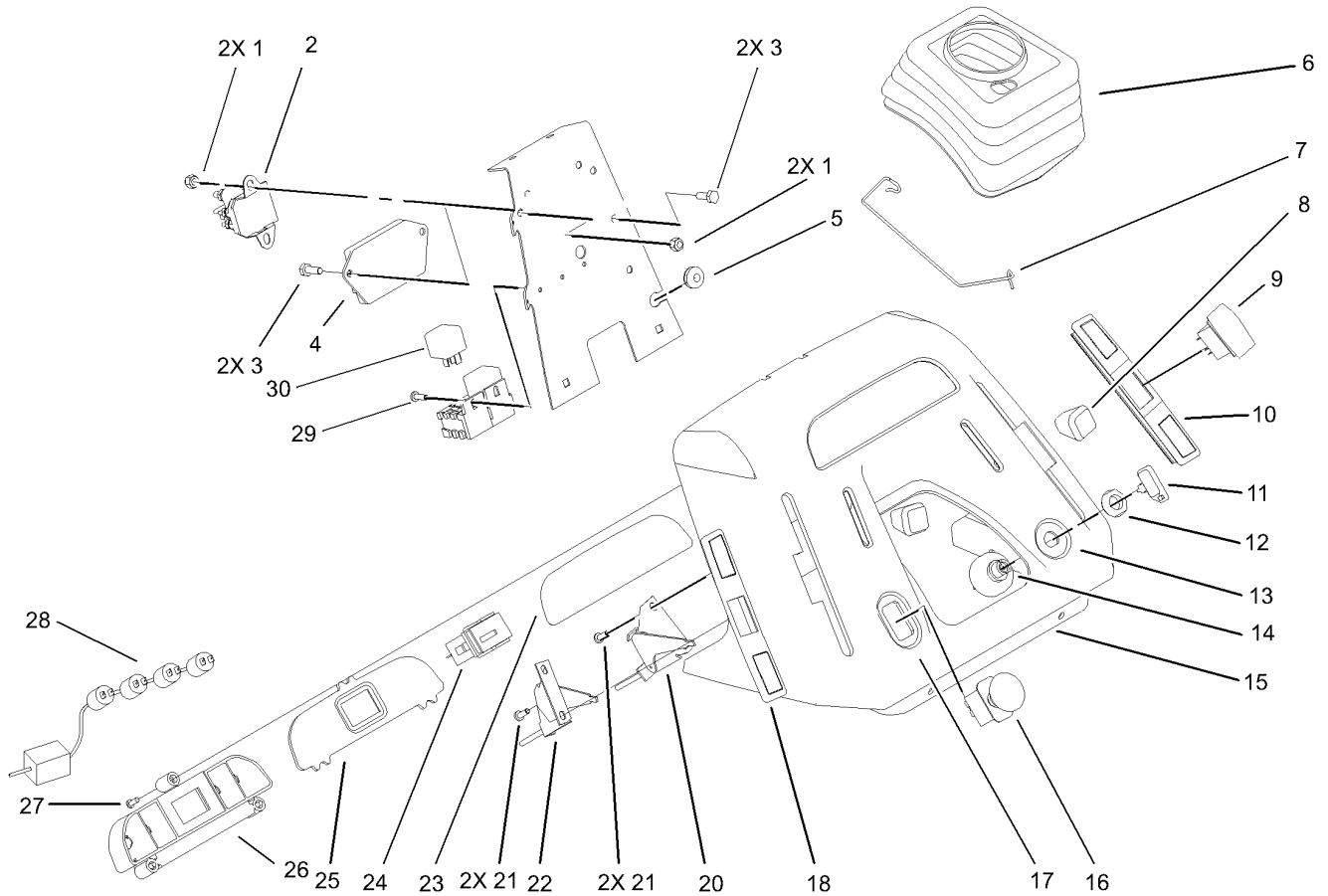
Ref	Part No.	Qty.	Description
28	323-4	4	Screw-HH
29	3296-39	4	Nut-Lock, NI
30	106288	2	Clamp
31	3230-1	4	Bolt-CARR



### Seat Assembly

Ref	Part No.	Qty.	Description
1	104-2463	1	Seat-High Back
2	100-3524	1	Switch-Seat
3	322-5	4	Screw-HH
4	92-6750	2	Spacer-Nylon
5	104-5027	1	Support Seat ASM
5:2	99-2985	1	Danger-Decal
5:3	99-5339	1	Decal
7	92-7054	2	Spring-Compression
8	92-6986	2	Bolt-Shoulder
9	32128-25	2	Nut-HF
10	701178	2	Cap-Protector
11	3290-282	4	Rivet-Pop
12	106557	2	Reflector-Stick On
13	3256-49	4	Washer-Flat
14	3296-29	6	Nut-Lock, NI
15	79-0950-03	1	Bracket-Pivot, RH
16	3230-31	4	Screw-CARR
17	105503	2	Bushing
18	79-0970-03	1	Bracket-Pivot, LH
19	700806	2	Knob
20	94-2869	2	Washer
21	109989	2	Spacer-Nylon
22	46-5780	1	Switch-Starter
22:1	3254-5	1	Washer-Tooth

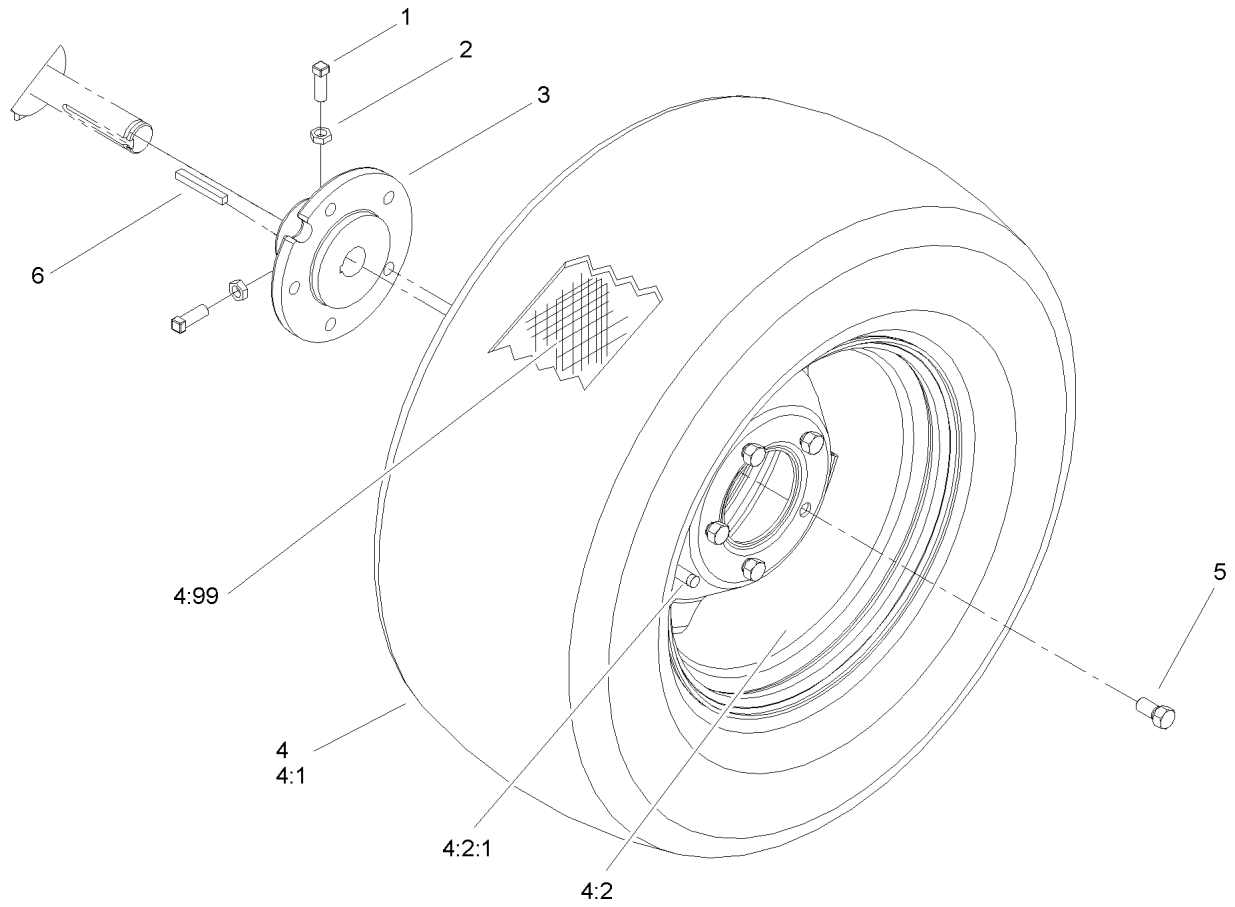
Ref	Part No.	Qty.	Description
22:2	218-461	1	Nut-HH
25	62-7770	1	Key-Ignition
26	104-2488	1	Foam-Switch, Seat



## Dash Assembly

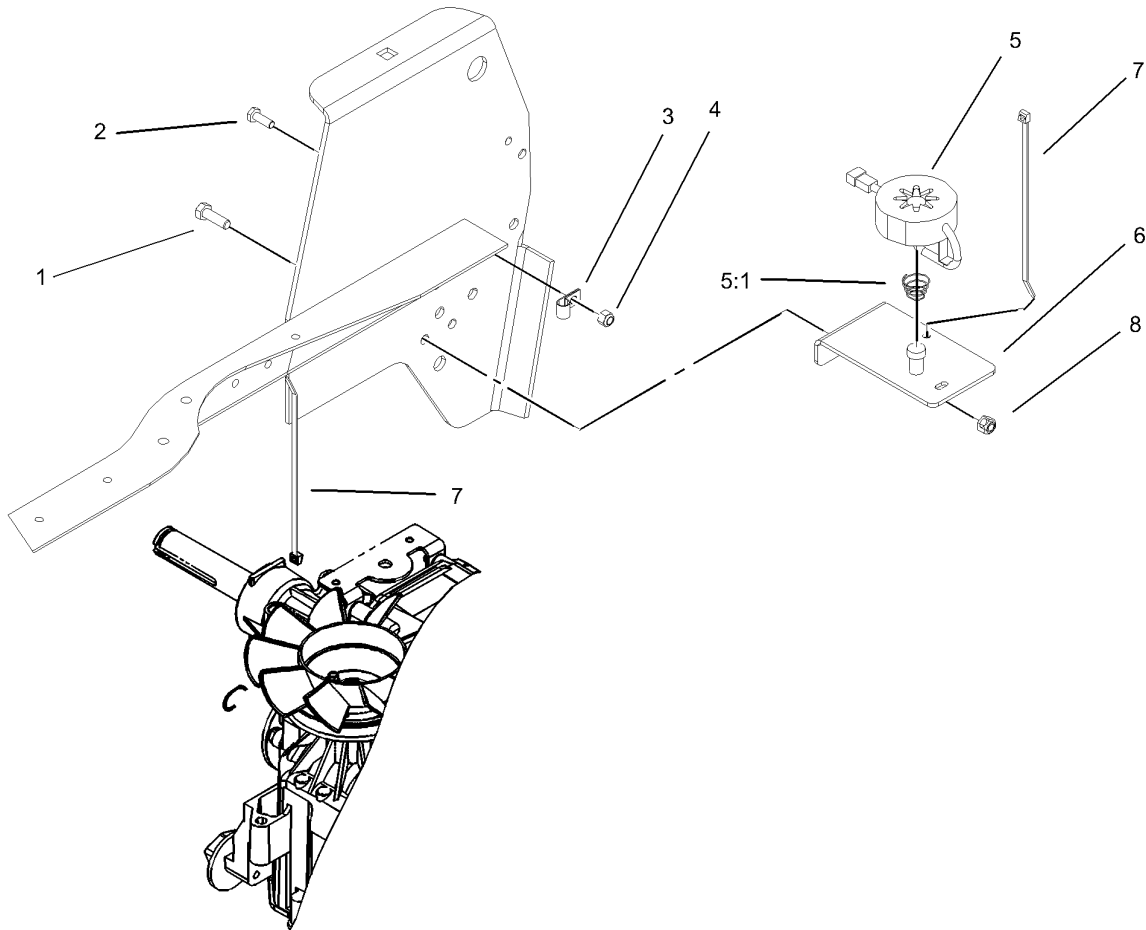
Ref	Part No.	Qty.	Description
1	3296-42	4	Nut-Lock, NI
2	106-8245	1	Solenoid
3	321-4	4	Screw-HH
4	106-8225	1	Module-Nmir, Low Battery
5	237-141	1	Grommet-Rubber
6	92-6680	1	Boot-Steering
7	94-2966	1	Clip-Boot
8	66-0120	2	Knob
9	93-0527	1	Switch-Cruise
10	93-0516	1	Cover-Slot, RH
11	62-7770	1	Key-Ignition
12	700919	1	Nut
13	92-6721	1	Decal-Throttle, Ignition
14	92-6785	1	Switch-Ignition
15	94-1894	1	Dash
16	93-9998	1	Switch-PTO
17	92-6720	1	Decal-Pto/choke
18	92-6797	1	Cover-Slot, LH
20	92-6784	1	Control-Throttle Twin
21	32144-32	4	Screw
22	106-9872	1	Choke Control ASM
23	99-8036	1	Decal-Lens, Dash
24	94-4208	1	Hourmeter
25	92-6705	1	Lens-Dash

Ref	Part No.	Qty.	Description
26	92-6732	1	Housing-Light, Indicator
27	94-6961	3	Screw
28	99-8068	1	Harness-4 Lamp
29	32144-8	2	Screw-HH
30	98-7249	3	Relay



## Rear Wheel Assembly

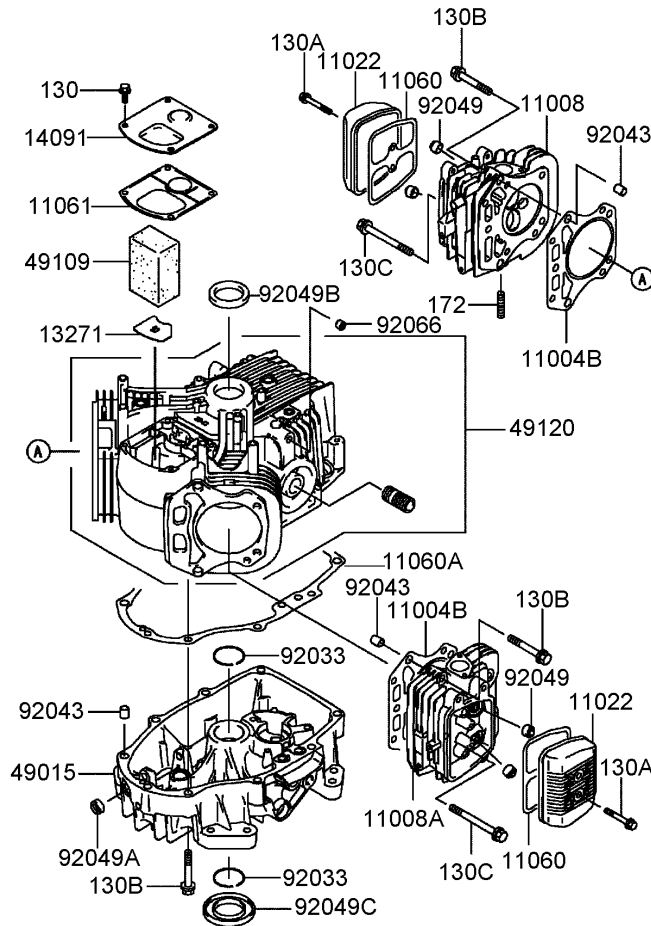
Ref	Part No.	Qty.	Description				
1	3243-5	4	Screw-Set, SQH				
2	3218-3	4	Nut-Jam				
3	93-3659-03	2	Hub-Wheel				
4		2	Rear Wheel And Tire ASM				
4:1	99-2334	1	Tire				
4:2	78-1221	1	Wheel				
4:2:1	5108	1	Valve				
4:99	7007	1	Tube-Inner				
5	83-2720	10	Bolt-Lug				
6	5-1336	2	Key-Square				



### Cruise Control Assembly

Ref	Part No.	Qty.	Description
1	322-5	2	Screw-HH
2	321-4	1	Screw-HH
3	2412-89	1	Clamp
4	3296-42	1	Nut-Lock, NI
5	99-8090	1	Magnet ASM
5:1	93-6601	1	Spring-Compression
6	106-5616-03	1	Bracket-Cruise
7	614249	2	Strap-Tie
8	3296-29	2	Nut-Lock, NI

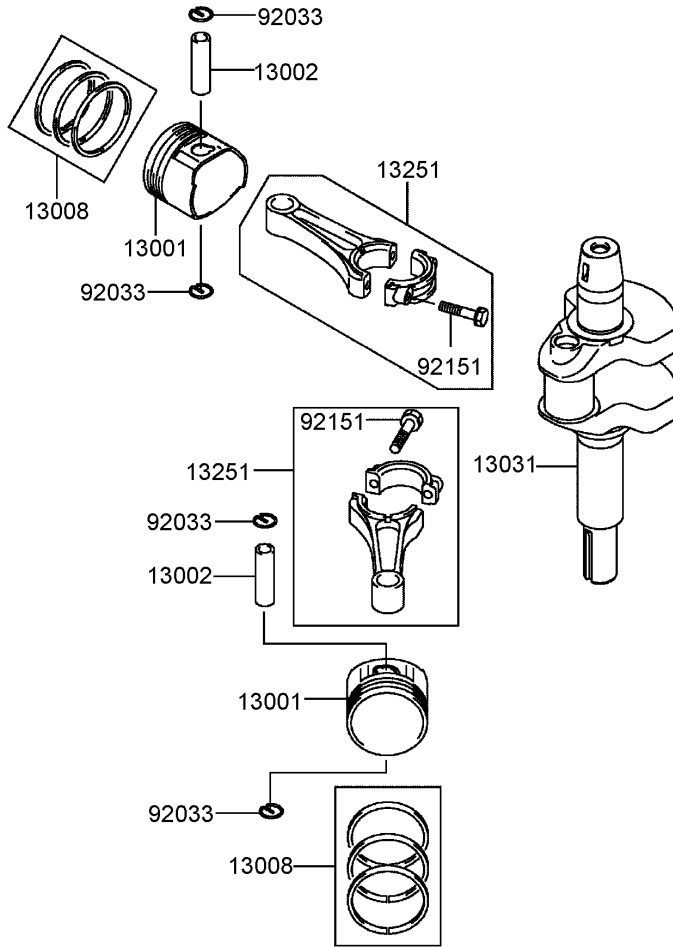
--	--	--	--



## Cylinder and Crankcase Assembly Kawasaki FH541V-BS04

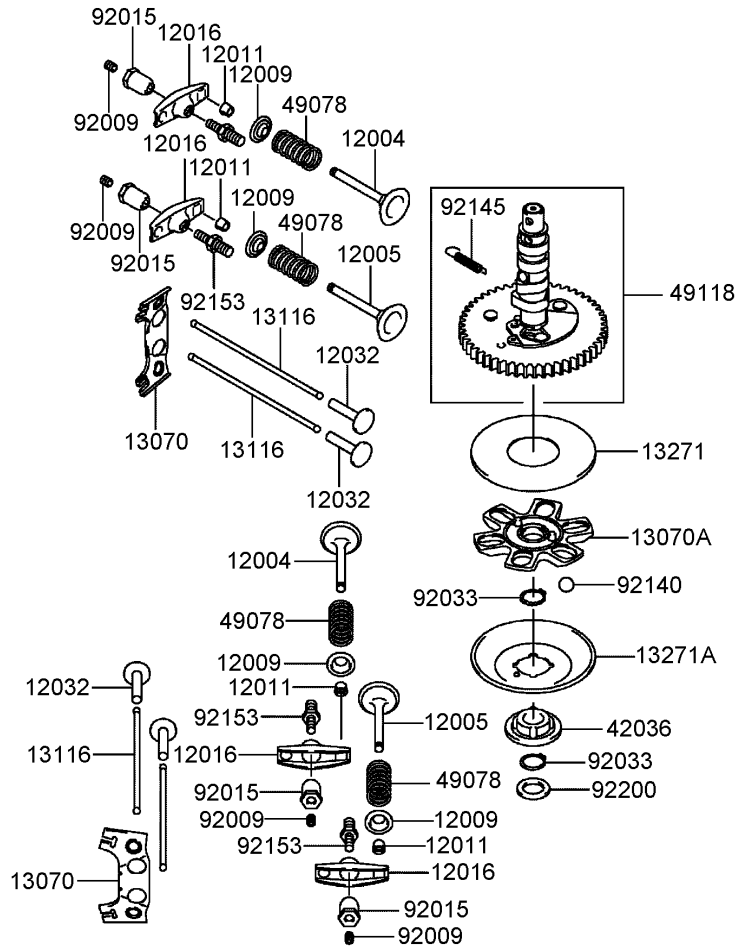
Ref	Part No.	Qty.	Description
⑤11004B	11004-7016	2	Gasket-Head
⑤11008	11008-6043	1	Head-Comp-Cylinder,#1
⑤11008A	11008-7020	1	Head-Comp-Cylinder,#2
⑤11022	11022-7003	2	Case-Rocker
⑤11060	11060-7001	2	Gasket,rocker Case
⑤11060A	11060-7008	1	Gasket,crankcase Cover
⑤11061	11061-7001	1	Gasket,breather
⑤13271	13271-7016	1	Plate
⑤14091	14091-7006	1	Cover
⑤49015	49015-6253	1	Cover-Crankcase
⑤49109	49109-7002	1	Element-Breather
⑤49120	49120-7023	1	Crankcase-Comp
⑤92033	92033-7003	2	Ring-Snap
⑤92043	92043-7001	6	Pin
⑤92049	92049-7001	4	Seal-Oil,rvc2 6x11x10.2
⑤92049A	92049-7005	1	Seal-Oil,so 8x14x5 HS
⑤92049B	92049-7010	1	Seal-Oil,sd 35x48x8 R HS
⑤92049C	92049-7011	1	Seal-Oil,sd 35x62x8 L HS
⑤92066	92066-7002	1	Plug
⑤130	130B0612	4	Bolt-Flanged
⑤130A	130B0640	4	Bolt-Flanged
⑤130B	130T0850	17	Bolt-Flanged
⑤130C	130T0875	2	Bolt-Flanged
⑤172	172G0818	4	Bolt-Stud

--	--	--	--	--



## Piston and Crankshaft Assembly Kawasaki FH541V-BS04

Ref	Part No.	Qty.	Description				
①13001	13001-7010	2	Piston-Engine				
①13002	13002-7001	2	Pin-Piston				
①13008	13008-6060	2	Ring-Set-Piston				
①13031	13031-7040	1	Crankshaft-Comp				
①13251	13251-7010	2	Rod-Assy-Connecting				
①92033	92033-7005	4	Ring-Snap				
①92151	92151-7017	4	Bolt,6x35				

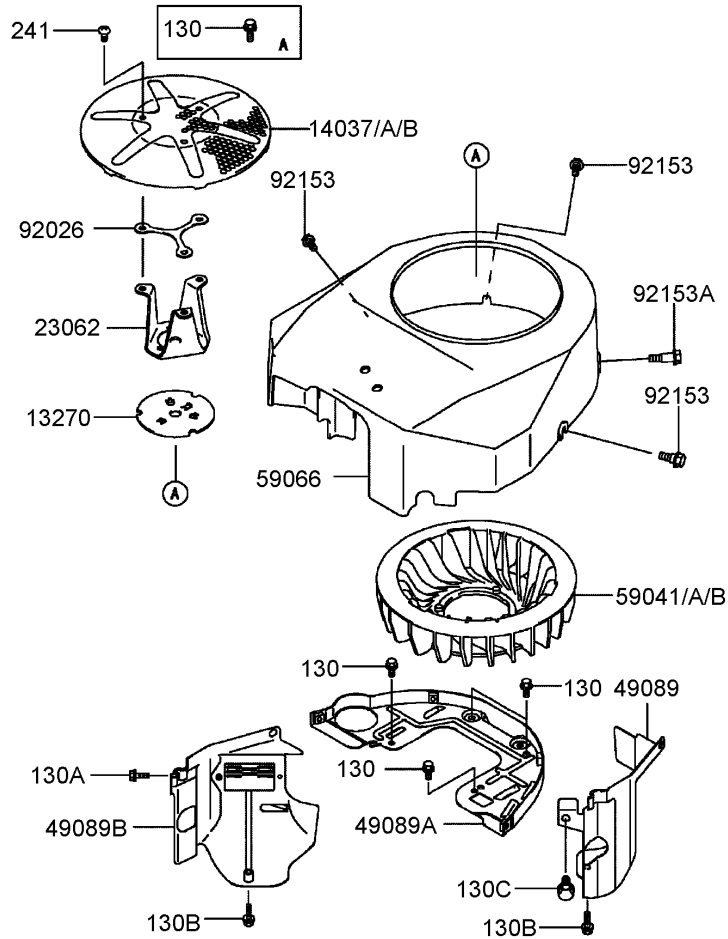


## Valve and Camshaft Assembly Kawasaki FH541V-BS04

Ref	Part No.	Qty.	Description
①	12004	2	Valve-Intake
①	12005	2	Valve-Exhaust
①	12009	4	Retainer-Valve Spring
①	12011	8	Collet
①	12016	4	Arm-Rocker
①	12032	4	Tappet
①	13070	2	Guide
①	13070A	1	Guide
①	13116	4	Rod-Push
①	13271	1	Plate
①	13271A	1	Plate,governor
①	42036	1	Sleeve
①	49078	4	Spring-Engine Valve
①	49118	1	Camshaft-Comp
①	92009	4	Screw
①	92015	4	Nut
①	92033	2	Ring-Snap
①	92140	6	Ball
①	92145	1	Spring
①	92153	4	Bolt
①	92200	1	Washer

--	--	--	--

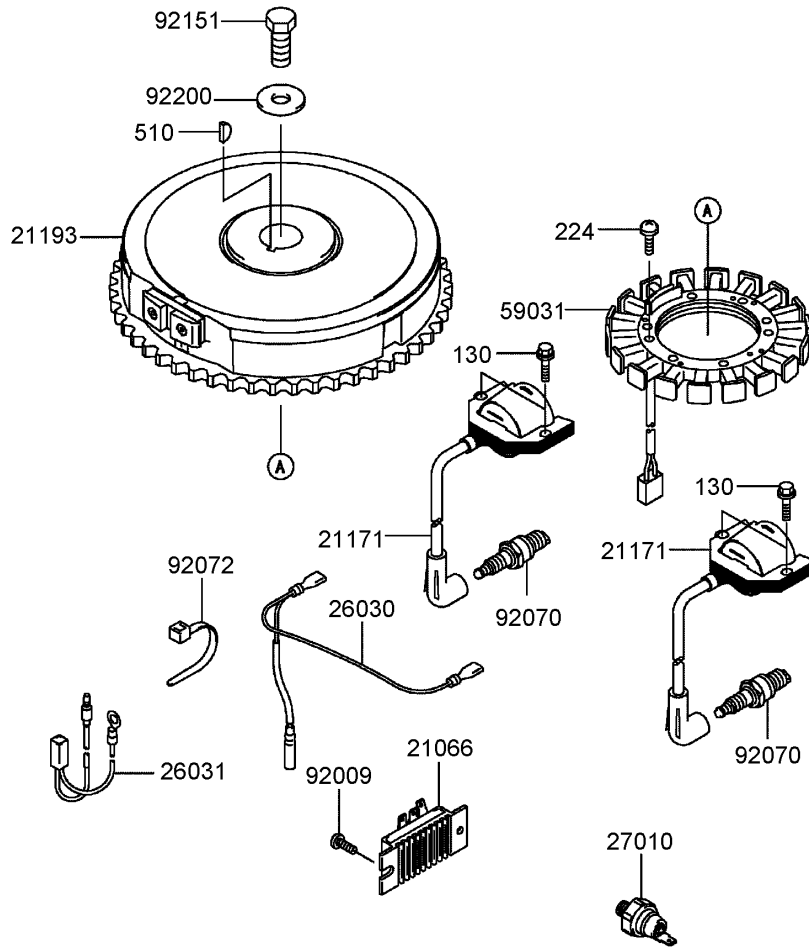




## Cooling Equipment Assembly Kawasaki FH541V-BS04

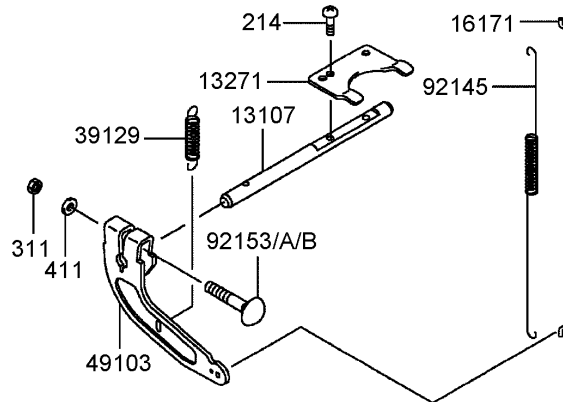
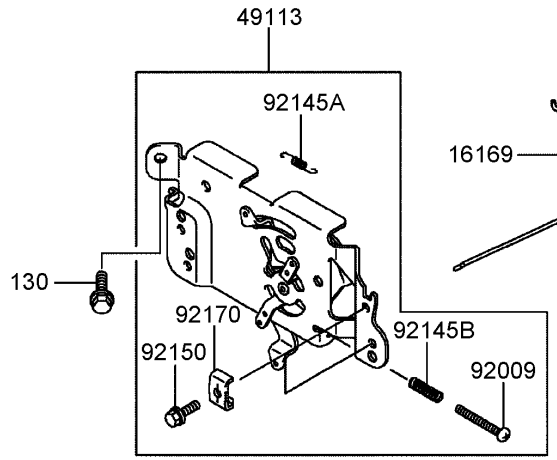
Ref	Part No.	Qty.	Description
⑤13270	13270-7007	1	Plate
⑤14037	14037-7010	1	Screen
⑤14037A	14037-7020	1	Screen
⑤14037B	14037-7020-9H	1	Screen
⑤23062	23062-7010	1	Bracket-Comp
⑤49089	49089-7002	1	Shroud-Engine
⑤49089A	49089-7032	1	Shroud-Engine
⑤49089B	49089-7034	1	Shroud-Engine
⑤59041	59041-7001	1	Fan
⑤59041A	59041-7010	1	Fan
⑤59041B	59041-7010	1	Fan
⑤59066	59066-7011	1	Housing-Fan
⑤92026	92026-7007	1	Spacer
⑤92153	92153-7007	3	Bolt
⑤92153A	92153-7008	1	Bolt
⑤130	130B0612	4	Bolt-Flanged
⑤130A	130B0616	2	Bolt-Flanged
⑤130B	130B0625	2	Bolt-Flanged
⑤130C	130B0816	1	Bolt-Flanged
⑤241	241B0612	3	Screw-Pan-Wp

--	--	--	--



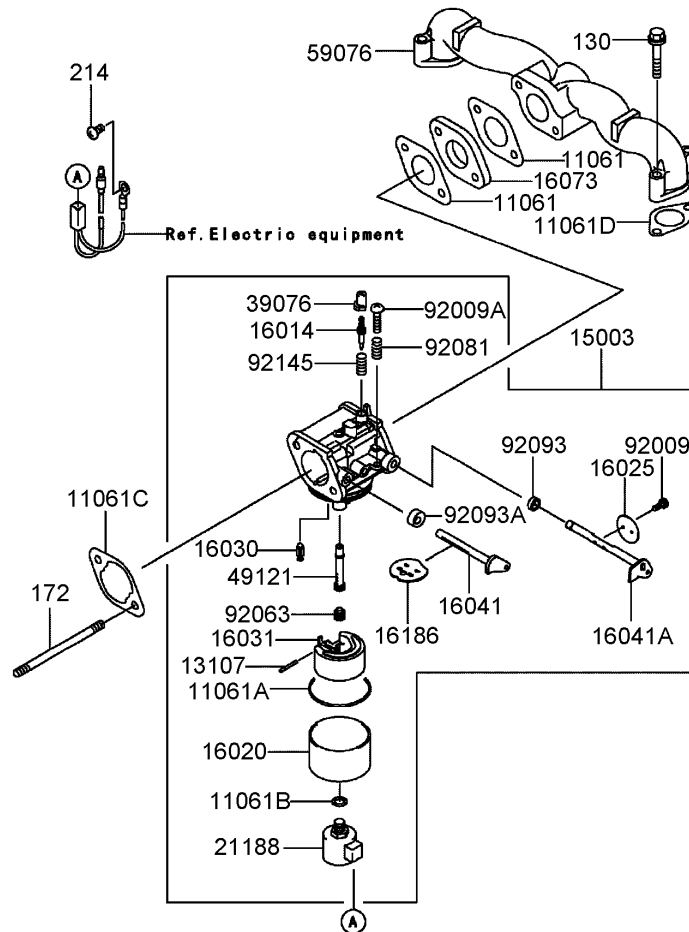
## Electrical Equipment Assembly Kawasaki FH541V-BS04

Ref	Part No.	Qty.	Description				
⑤21066	21066-7011	1	Regulator-Voltage				
⑤21171	21171-7013	2	Coil-Assy-Ignition				
⑤21193	21193-7007	1	Flywheel-Assy				
⑤26030	26030-7001	1	Harness				
⑤26031	26031-7002	1	Harness				
⑤27010	27010-7002	1	Switch				
⑤59031	59031-7001	1	Coil-Charging				
⑤92009	92009-2308	1	Screw				
⑤92070	92070-7003	2	Plug-Spark,rcj8y,solid				
⑤92072	92072-7003	2	Band				
⑤92151	92151-2097	1	Bolt,12x30				
⑤92200	92200-7002	1	Washer				
⑤130	130B0620	4	Bolt-Flanged				
⑤224	224B0520	4	Screw-Pan-Wp-Cros				
⑤510	510A5100	1	Key-Woodruff				



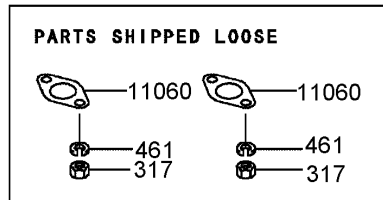
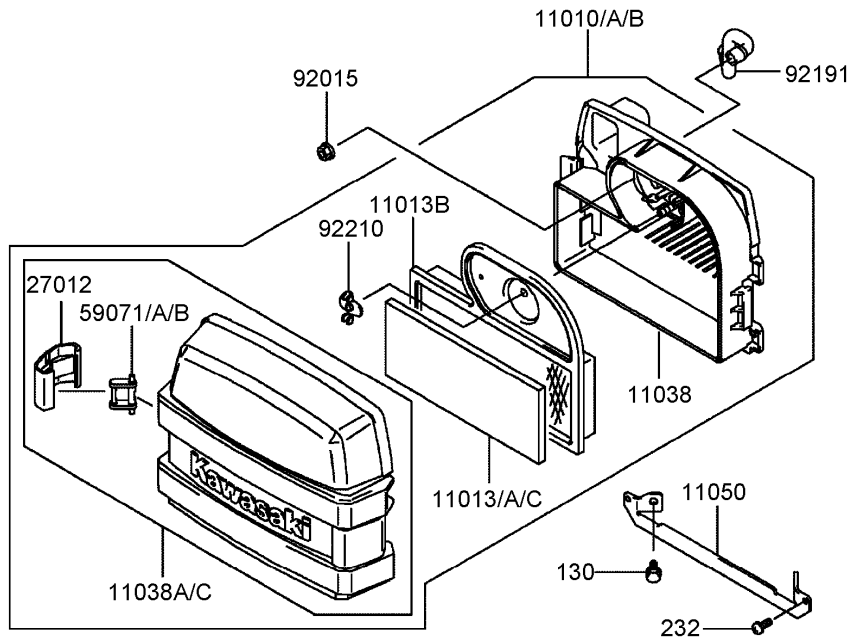
## Control Equipment Assembly Kawasaki FH541V-BS04

Ref	Part No.	Qty.	Description				
④13107	13107-7010	1	Shaft				
④13271	13271-7018	1	Plate				
④16169	16169-7010	1	Link-Choke				
④16171	16171-7001	1	Link				
④39129	39129-7003	1	Spring-Governor				
④49103	49103-7004	1	Arm-Governor				
④49113	49113-7011	1	Panel-Comp-Control				
④92009	92009-7007	1	Screw,4x35				
④92145	92145-7003	1	Spring				
④92145A	92145-7004	1	Spring				
④92145B	92145-7005	1	Spring				
④92150	92150-2182	2	Bolt,5x18				
④92153B	92153-7033	1	Bolt,6x35				
④92170	92170-7001	2	Clamp				
④130	130B0612	2	Bolt-Flanged				
④214	214B0408	2	Screw-Pan				
④311	311B0600	1	Nut-Hex				
④411	411b0600	1	Washer-Plain				



## Carburetor Assembly Kawasaki FH541V-BS04

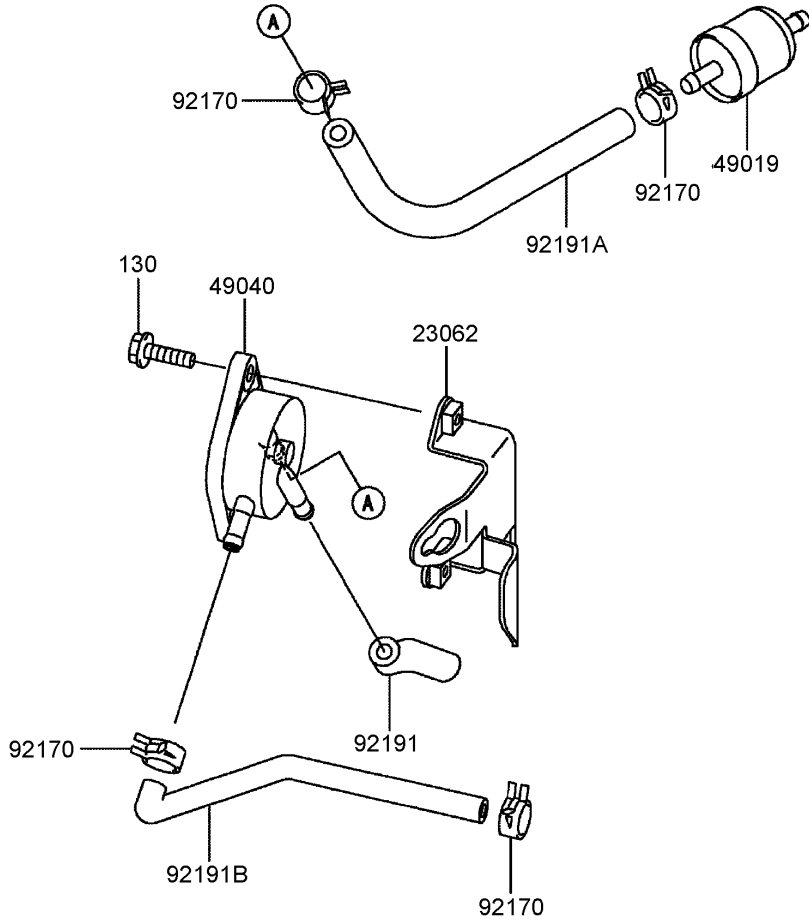
Ref	Part No.	Qty.	Description	Ref	Part No.	Qty.	Description
⑤11061	11061-7004	2	Gasket,insulator	⑤92093	92093-2100	1	Seal
⑤11061A	11061-7009	1	Gasket,chamber	⑤92093A	92093-7003	1	Seal
⑤11061B	11061-7010	1	Gasket,screw	⑤92145	92145-7015	1	Spring
⑤11061C	11061-7018	1	Gasket,air Cleaner	⑤130	130B0635	4	Bolt-Flanged
⑤11061D	11061-7019	2	Gasket	⑤172	172G0685	2	Bolt-Stud
⑤13107	13107-7018	1	Shaft	⑤214	214B0510	1	Screw-Pan
⑤15003	15003-7086	1	Carburetor-Assy				
⑤16014	16014-7007	1	Screw-Pilot Air				
⑤16020	16020-7003	1	Chamber-Float				
⑤16025	16025-7006	1	Valve-Throttle				
⑤16030	16030-7003	1	Valve-Float				
⑤16031	16031-7002	1	Float				
⑤16041	16041-7016	1	Shaft-Carburetor,choke				
⑤16041A	16041-7018	1	Shaft-Carburetor,throttle				
⑤16073	16073-7007	1	Insulator				
⑤16186	16186-7004	1	Valve-Assy-Choke				
⑤21188	21188-7002	1	Solenoid				
⑤39076	39076-7001	1	Limiter				
⑤49121	49121-7007	1	Nozzle-Main				
⑤59076	59076-7001	1	Manifold-Intake				
⑤92009	92009-2083	2	Screw				
⑤92009A	92009-2349	1	Screw				
⑤92063	92063-7046	1	Jet-Main,#100				
⑤92081	92081-2234	1	Spring				



## Air Filter and Muffler Assembly Kawasaki FH541V-BS04

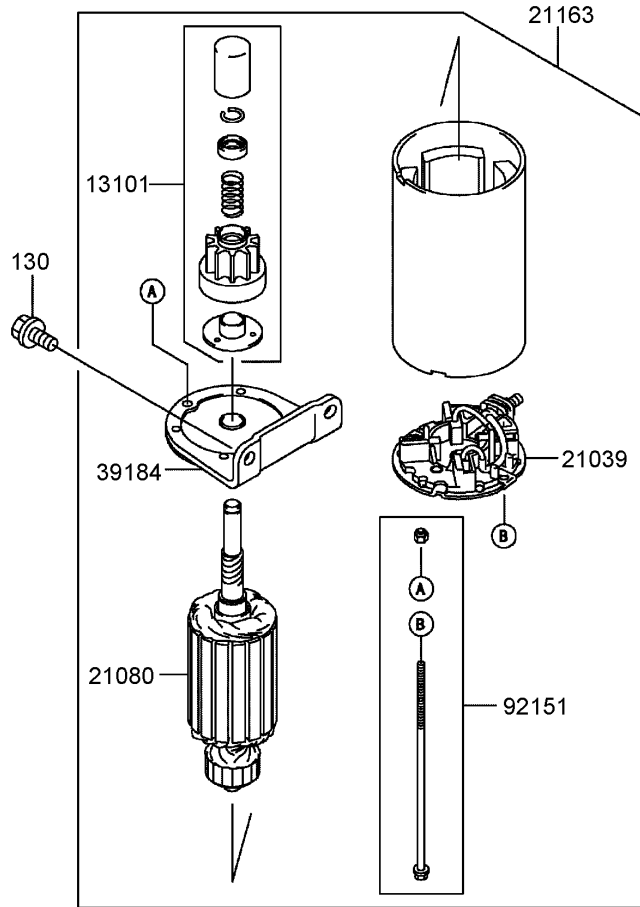
Ref	Part No.	Qty.	Description
①11010	11010-7012	1	Filter-Assy-Air
①11010A	11010-7013	1	Filter-Assy-Air
①11010B	11010-7013	1	Filter-Assy-Air
①11013B	11013-7002	1	Element-Air Filter
①11013C	11013-7033	1	Element-Air Filter
①11038	11038-7006	1	Case-Assy-Air Filter
①11038A	11038-7009	1	Case-Assy-Air Filter
①11038B	11038-7011	1	Case-Assy-Air Filter
①11038C	11038-7011	1	Case-Assy-Air Filter
①11050	11050-7006	1	Bracket
①11060	11060-7021	2	Gasket,muffler
②27012	27012-7001	2	Hook,air Filter
①59071	59071-7013	1	Joint
②59071A	59071-7014	2	Joint
①59071B	59071-7014	1	Joint
②92015	92015-1193	2	Nut
①92191	92191-7001	1	Tube
①92210	92210-7004	1	Nut
②130	130B0612	2	Bolt-Flanged
②232	232B0514	2	Screw-Pan-Ws
④317	317R0800	4	Nut-Hex-Small
④461	461F0800	4	Washer-Spring

--	--	--	--



## Fuel Tank/Fuel Valve Assembly Kawasaki FH541V-BS04

Ref	Part No.	Qty.	Description				
⑤23062	23062-7004-9H	1	Bracket-Comp				
⑤49019	49019-7001	1	Filter-Fuel				
⑤49040	49040-7001	1	Pump-Fuel				
⑤92170	92170-2088	4	Clamp				
⑤92191	92191-7002	1	Tube				
⑤92191A	92191-7003	1	Tube,6.35x12.7x160				
⑤92191B	92191-7004	1	Tube				
⑤130	130B0620	2	Bolt-Flanged				



## Starter Assembly Kawasaki FH541V-BS04

Ref	Part No.	Qty.	Description
①13101	13101-7003	1	Gear-Assy
①21039	21039-7004	1	Brush
①21080	21080-7001	1	Armature
①21163	21163-7010	1	Starter-Electric
①39184	39184-7004	1	Bracket-Assy
①92151	92151-7013	1	Bolt
①130	130B0816	2	Bolt-Flanged



