



Dingo[®] TX 413 Compact Utility Loader

Model No. 22308 - 250000001 and up.

Parts Catalog

Ordering Replacement Parts

To order replacement parts, please supply the part number, the quantity, and the description of each part desired.

Understanding Reference Numbers

Each identified part in an illustration has a reference number. The reference number for a part also appears in the parts list, along with other information about the part.

This catalog uses two special reference number formats, one to indicate parts in a service assembly and another to indicate the quantity of a given part in an illustration.

Service Assembly Reference Numbers

Parts in service assemblies have reference numbers in the form a:b. The a represents the reference number of the entire service assembly and the b represents a sequential number unique to each part within the service assembly.

For example, a wheel assembly might be identified by reference number 6, the tire by 6:1, the valve by 6:2, and the wheel by 6:3. When you order the assembly identified by reference number 6, you receive all parts identified by reference numbers 6:1, 6:2, and 6:3. However, you may also order any part individually. Reference numbers of this type appear in illustrations and in part lists.

Reference Numbers Indicating Quantity

In an illustration, if a reference number indicates more than one part, the reference number has the form nX y. The n represents the quantity of the part, the X is the multiplication symbol, and the y represents the reference number.

For example, in an illustration, the reference number 2X 37 means that two of the parts identified by reference number 37 are indicated.

Contents

Description	Page	Description	Page
Frame Assembly 3	Cylinder Head Assembly Honda GX390K1QNE2 22
Track and Traction Assembly 5	Cylinder Barrel Assembly Honda GX390K1QNE2 23
Engine and Drive Assembly 6	Crankcase Cover Assembly Honda GX390K1QNE2 24
Loader Arm and Quick Attach Assembly 7	Crankshaft Assembly Honda GX390K1QNE2 25
Loader Arm Hydraulic Assembly 8	Piston Assembly Honda GX390K1QNE2 26
Valve Assembly No. 106-9406 9	Camshaft Assembly Honda GX390K1QNE2 27
Traction Control Assembly 10	Fan Cover Assembly Honda GX390K1QNE2 28
Control Panel Assembly 11	Carburetor Assembly Honda GX390K1QNE2 29
Hood and Brake Assembly 12	Air Cleaner Assembly Honda GX390K1QNE2 31
Electrical Assembly 14	Muffler Assembly Honda GX390K1QNE2 32
Traction Hydraulic Assembly 15	Flywheel Assembly Honda GX390K1QNE2 33
Hydraulic Motor Assembly No. 104-8470 16	Ignition Coil Assembly Honda GX390K1QNE2 34
Hydraulic Pump Assembly No. 106-9471 17	Starter Motor Assembly Honda GX390K1QNE2 35
Hydraulic Pump Assembly No. 106-9470 18	Control Assembly Honda GX390K1QNE2 36
Principle Hydraulic Assembly 19	Miscellaneous Part Assembly Honda GX390K1QNE2 37
Spool Valve Assembly No. 106-9405 20	Attachments and Accessories List 38
Fuel Tank Assembly 21		

Part Description Abbreviations

Part descriptions in this catalog may include the following abbreviations.

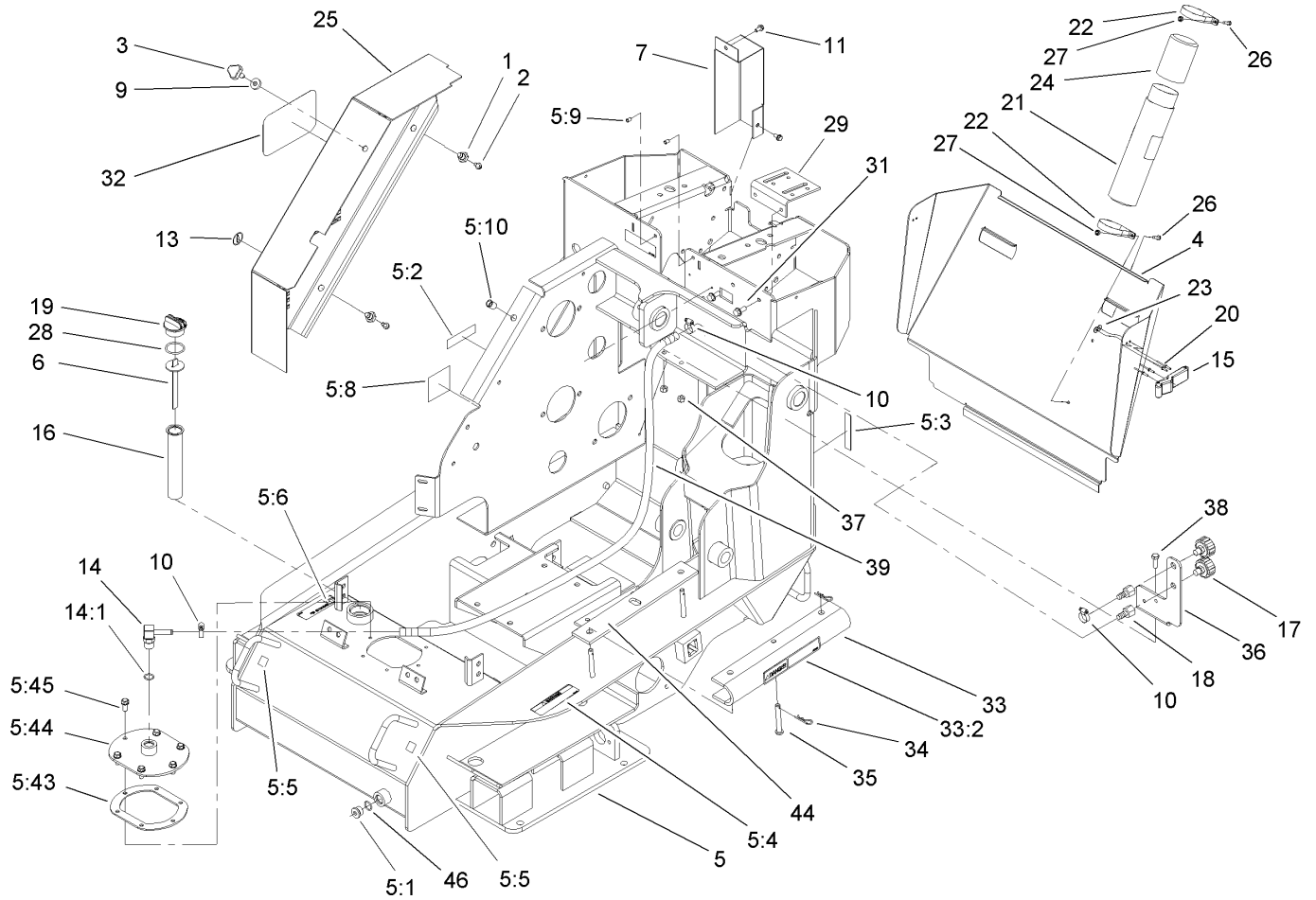
AR. as required	HWHTF. hex washer head thread forming
ASM. assembly	HYD. hydraulic
CARR. carriage	INC. incorporated
DEG. degrees	LH. left hand
EXT. external	NI. nylon insert
FH. flat head	NPTF. national pipe thread fine
GA. gauge	PPH. phillips pan head
HF. hex flange	PRH. phillips round head
HH. hex head	PTH. phillips truss head
HHF. hex head flange	PTO. power take off
HHFTF. hex head flange thread forming	RH. right hand
HJ. hex jam	ROPS. roll over protection system
HLH. hex lag head	SFH. slotted fillister head
HOC. height-of-cut	SHH. slotted hex head
HS. hex	SHWH. slotted hex washer head
HSBH. hex socket button head	SPH. slotted pan head
HSFH. hex socket flat head	SQH. square head
HSH. hex socket head	SRH. slotted round head
HWH. hex washer head	STD. standard

Footnotes

❶ Not illustrated

❷ Obtain Parts From Honda

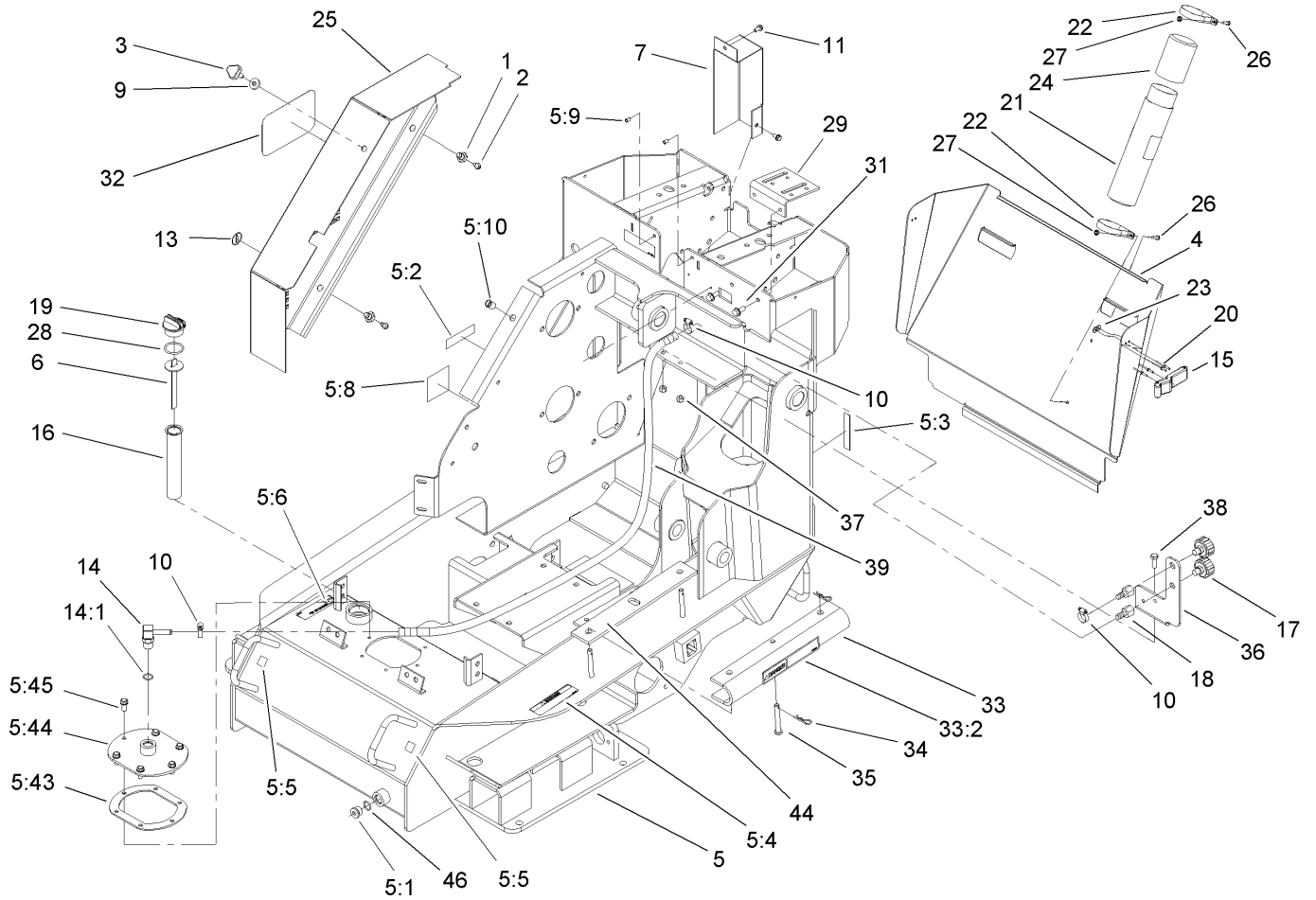
❸ Not serviced separately



Frame Assembly

Ref	Part No.	Qty.	Description
1	95-3989	2	Mount-Sidepanel
2	46-8093	2	Screw-Plastite
3	95-9648	1	Knob
4	106-9472-01	1	Cover-Rear
5	106-9530	1	Frame ASM
5:1	353-550	1	Plug-Hydraulic
5:2	98-5954	1	Decal-Missing, Cover
5:3	104-2838	1	Decal-Brake
5:4	100-6141	1	Decal-Pinch
5:5	93-9084	4	Decal-Point, Lift
5:6	105-8432	1	Decal-Oil, Hydraulic
5:8	106-9514	1	Decal-Belt Routing
5:9	32148-6	2	Insert-Nut
5:10	32148-9	1	Insert-Nut
5:43	107-3557	1	Gasket-Cover, Access
5:44	107-3559	1	Cover ASM
5:45	98-9940	6	Screw
6	100-2097	1	Dipstick-Oil
7	105-9043-03	1	Cover-Pulley
9	106-0565	1	Washer-Rubber
10	2412-98	3	Clamp
11	32144-4	2	Screw-HWH
13	58-6520	1	Decal-Grease
14	354-134	1	Fitting-Hyd, 90 DEG

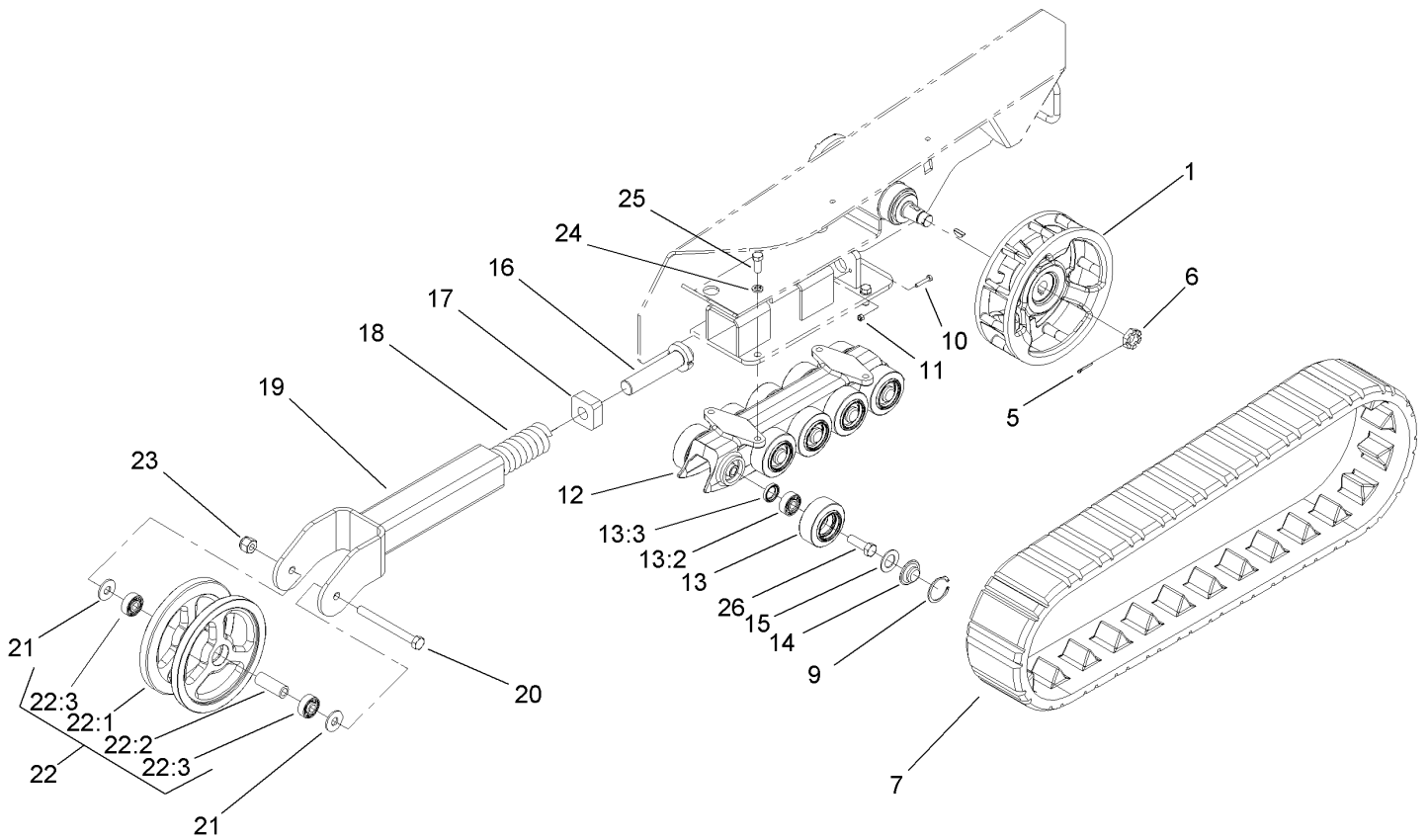
Ref	Part No.	Qty.	Description
14:1	237-79	1	O-Ring
15	80-6980	2	Latch
16	61-2790	1	Filter-Screen
17	68-6150	2	Breather
18	354-95	2	Fitting-Female, Barbed
19	93-7498	1	Plug-Plastic
20	3269-17	8	Rivet-Pop
21	104-7050	1	Housing-Manual
22	2412-120	2	R-Clamp
23	3269-10	8	Washer-Back
24	104-7048	1	Cap-Housing
25	106-9427-03	1	Cover-Belt
26	3290-500	2	Screw-PPH
27	3296-2	2	Nut-Lock
28	237-123	1	O-Ring
29	106-9447-01	1	Bracket-Mount, Throttle
31	32144-70	2	Screw-HH
32	105-1217	1	Decal
33	107-3552	1	Locking Arm ASM
33:2	100-6135	1	Decal-Danger
34	3290-467	3	Pin-Hair
35	283-52	1	Pin-Clevis
36	106-3132-01	1	Bracket-Filter
37	3296-29	2	Nut-Lock, NI



Frame Assembly (continued)

Ref	Part No.	Qty.	Description
38	322-5	2	Screw-HH
39	103-1693	1	Hose-Fuel
44	106-9495	1	Pad-Rubber
46	237-79	1	O-Ring

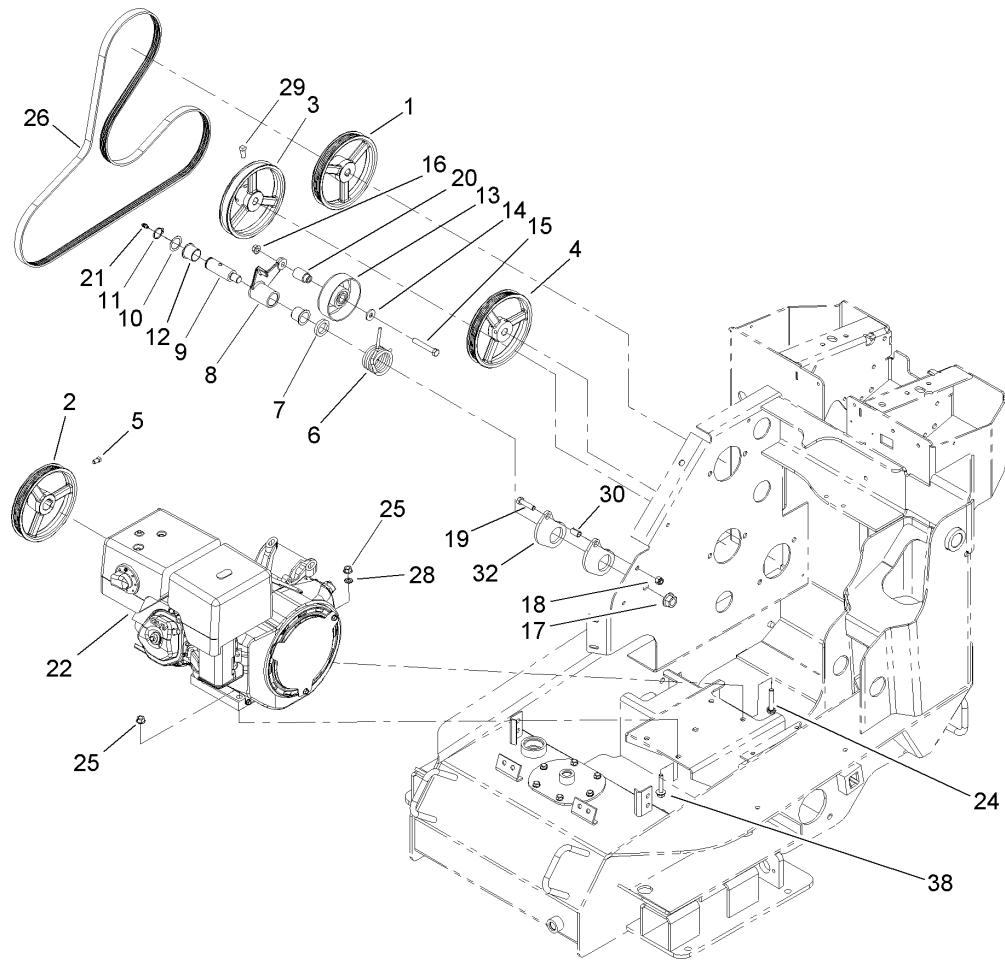
Ref	Part No.	Qty.	Description



Track and Traction Assembly

Ref	Part No.	Qty.	Description
1	105-9146-03	2	Wheel-Drive
5	3272-13	2	Pin-Cotter
6	99-3139	2	Nut
7	98-9800	2	Track
9	106-7595	20	Ring-Snap, Internal
10	321-13	2	Screw-HH
11	3296-42	2	Nut-Lock, NI
12	106-7590-03	2	Guide-Track
13	106-7621	20	Road Wheel ASM
13:2	93-4237	1	Bearing
13:3	253-118	1	Seal-Oil
14	106-7557	20	Cap-Wheel, Bearing
15	106-7585	20	Gasket-Bogie
16	98-9846	2	Bolt-Tensioner
17	95-3626	2	Block-Tensioner
18	95-3624	2	Spring-Compression
19	98-9801-03	2	Tensioner Arm ASM
20	327-17	2	Screw-HH
21	3256-7	4	Washer-Flat
22	104-5745	2	Tensioner Wheel ASM
22:1	104-5747-03	1	Wheel-Tensioner
22:2	98-9835	1	Spacer-Wheel, Tensioner
22:3	93-4237	2	Bearing
23	3296-24	2	Nut-Lock NI

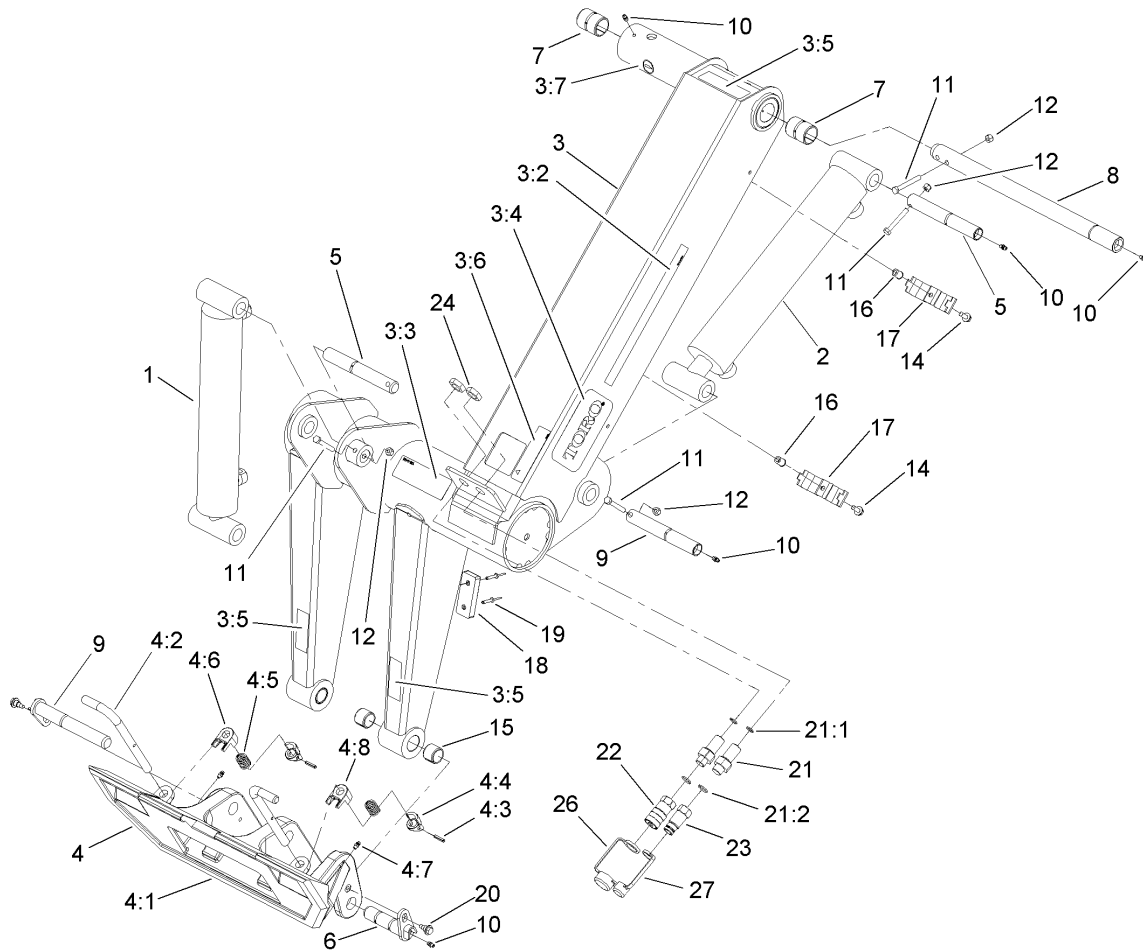
Ref	Part No.	Qty.	Description
24	3253-7	8	Washer-Lock
25	325-5	8	Screw-HH
26	327-4	20	Screw-HH



Engine and Drive Assembly

Ref	Part No.	Qty.	Description
1	104-8448	1	Pulley
2	104-8449	1	Pulley
3	104-8450	1	Pulley
4	105-9046	1	Pulley
5	3242-2	2	Screw-SQH
6	100-4844	1	Spring-Torsion
7	99-3625	1	Spacer-Arm, Idler
8	99-3623-03	1	Arm-Idler
9	99-3624	1	Shaft-Pivot, Idler
10	74-1810	1	Washer
11	32151-36	1	Ring-Retaining
12	99-3631	2	Bushing-Flange
13	95-8802	1	Pulley-Idler
14	80-6990	1	Washer-Hardened
15	323-12	1	Screw-HH
16	32128-21	1	Nut-HF
17	32128-54	1	Nut-HF
18	3296-39	1	Nut-Lock, NI
19	323-8	1	Screw-HH
20	105-9035	1	Spacer-Idler
21	302-5	1	Fitting-Grease
22		1	Engine-Honda, Gx390k1qne2
24	3234-19	3	Screw-HHF
25	32128-21	4	Nut-HF

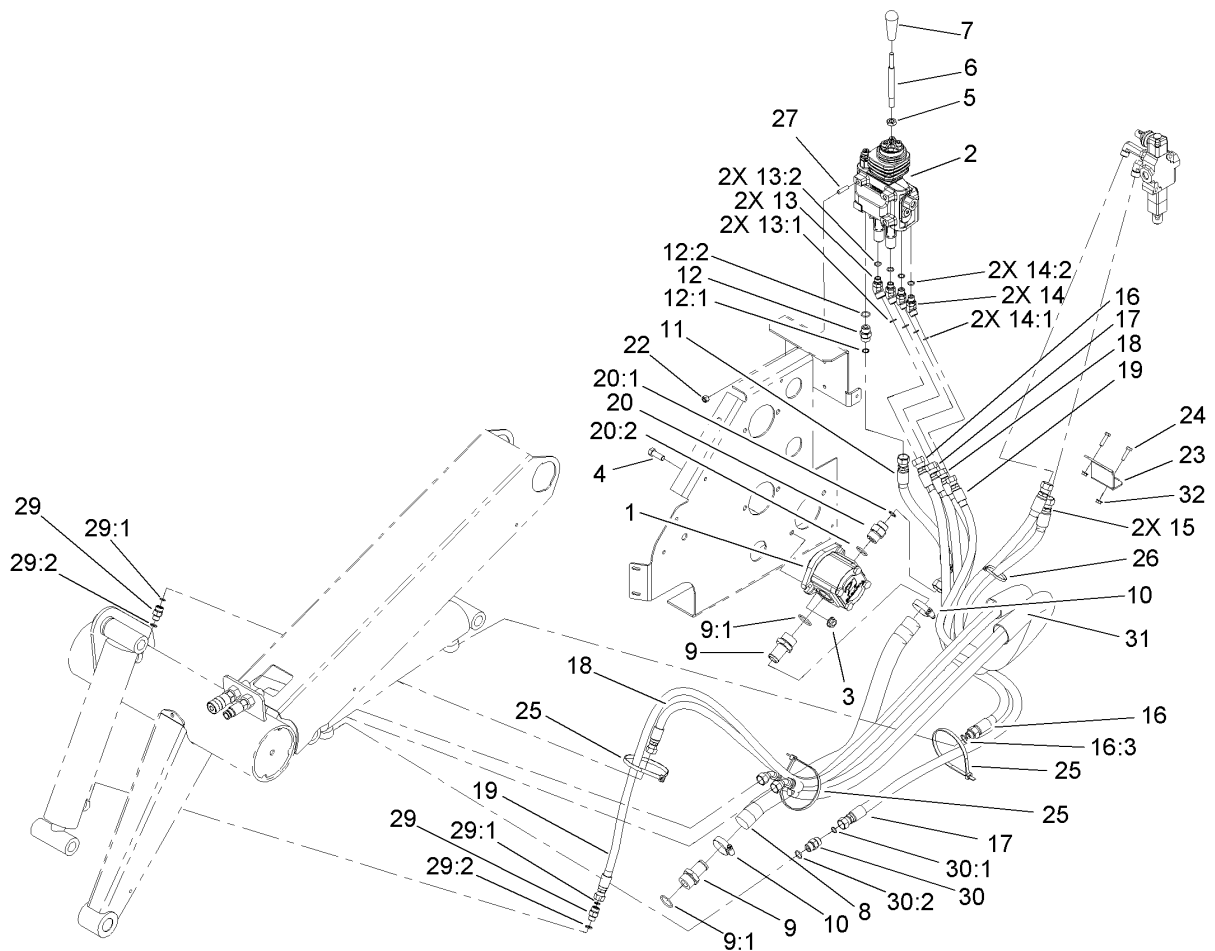
Ref	Part No.	Qty.	Description
26	106-9422	1	Belt-Poly-V
28	3255-9	1	Washer-Lock, Ext
29	3242-4	6	Screw-Set, SQH
30	106-4501	1	Spacer-Scraper, Stop
32	106-9480	2	Pad-Rubber
38	66-9302	1	Screw-Hhf, Whiz



Loader Arm and Quick Attach Assembly

Ref	Part No.	Qty.	Description
1	106-3161	1	Cylinder-HYD
1:1	106-9466	1	Seal Kit
2	106-3162	1	Cylinder-HYD
2:1	106-9467	1	Seal Kit
3	107-3565	1	Loader Arm ASM
3:2	106-9452	1	Decal-Model
3:3	106-9451	1	Decal-Caution
3:4	105-1217	1	Decal
3:5	100-6141	3	Decal-Pinch
3:6	100-6101	1	Decal-Caution
3:7	58-6520	1	Decal-Grease
4	106-9426	1	Quick Attach ASM
4:1	106-3156-03	1	Mount-Qtach
4:2	105-8367	2	Pin-Locking
4:3	3285-1	2	Pin-Grooved
4:4	105-0246	2	Cam
4:5	98-4694	2	Spring-Compression
4:6	104-5909	1	Stop-RH
4:7	302-5	2	Fitting-Grease
4:8	104-5903	1	Stop-LH
5	105-9075	3	Pin-Pivot
6	106-3139	2	Pivot Pin ASM
7	106-3133	2	Bushing-Tension, Loader Arm
8	106-3164	1	Pin-Pivot, Loader Arm

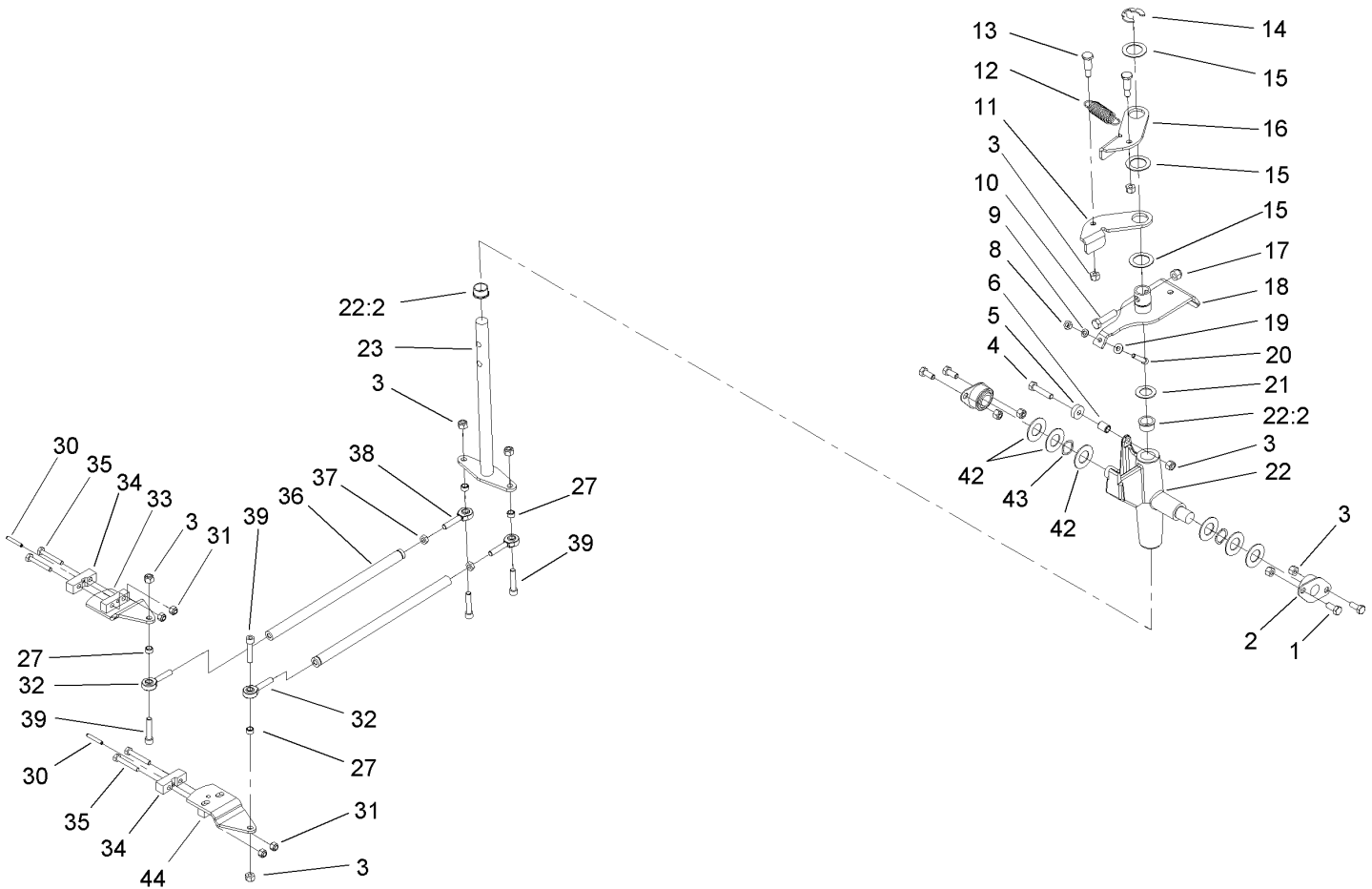
Ref	Part No.	Qty.	Description
9	106-3140	1	Pivot Pin ASM
10	302-5	8	Fitting-Grease
11	322-12	4	Screw-HH
12	3296-29	4	Nut-Lock, NI
14	322-5	2	Screw-HH
15	98-4871	4	Bushing-Tension
16	32148-7	2	Insert-Nut
17	107-3553-03	2	Clamp-Hose
18	86-5350	2	Bumper-Rubber
19	3269-11	4	Rivet
20	99-5105	3	Bolt-Shoulder
21	98-9907	2	Union-Bulkhead
21:1	237-30	1	O-Ring
21:2	237-79	1	O-Ring
22	104-6115	1	Coupler-Female
22:1	107-9300	1	Seal Kit
23	104-6114	1	Nipple-Connector
23:1	107-9301	1	Seal Kit
24	340-127	2	Nut-Bulkhead
26	105-5865	1	Cap-Dust
27	105-5866	1	Plug-Dust



Loader Arm Hydraulic Assembly

Ref	Part No.	Qty.	Description
1	104-8481	1	Pump-Gear
1:1	98-4700	1	Key-Square
1:2	107-3550	1	Seal Kit
2	106-9406	1	Valve-Loader
3	32128-42	2	Nut-HF
4	324-5	2	Screw-HH
5	51-2070	1	Nut
6	106-9515	1	Shaft-Handle, Lift/tilt
7	98-0152	1	Knob-Tapered
8	106-9446	1	Hose-Hyd, Suction
9	354-78	2	Connector-Hose
9:1	237-146	1	O-Ring
10	2412-111	2	Clamp
11	106-3148	1	HYD Hose ASM
12	340-4	1	Fitting-Hyd, Straight
12:1	237-30	1	O-Ring
12:2	237-79	1	O-Ring
13	340-96	2	Adapter
13:1	237-30	1	O-Ring
13:2	237-42	1	O-Ring
14	340-87	2	Fitting-Hyd, 45 DEG
14:1	237-22	1	O-Ring
14:2	237-42	1	O-Ring
15	106-3145	2	HYD Hose ASM

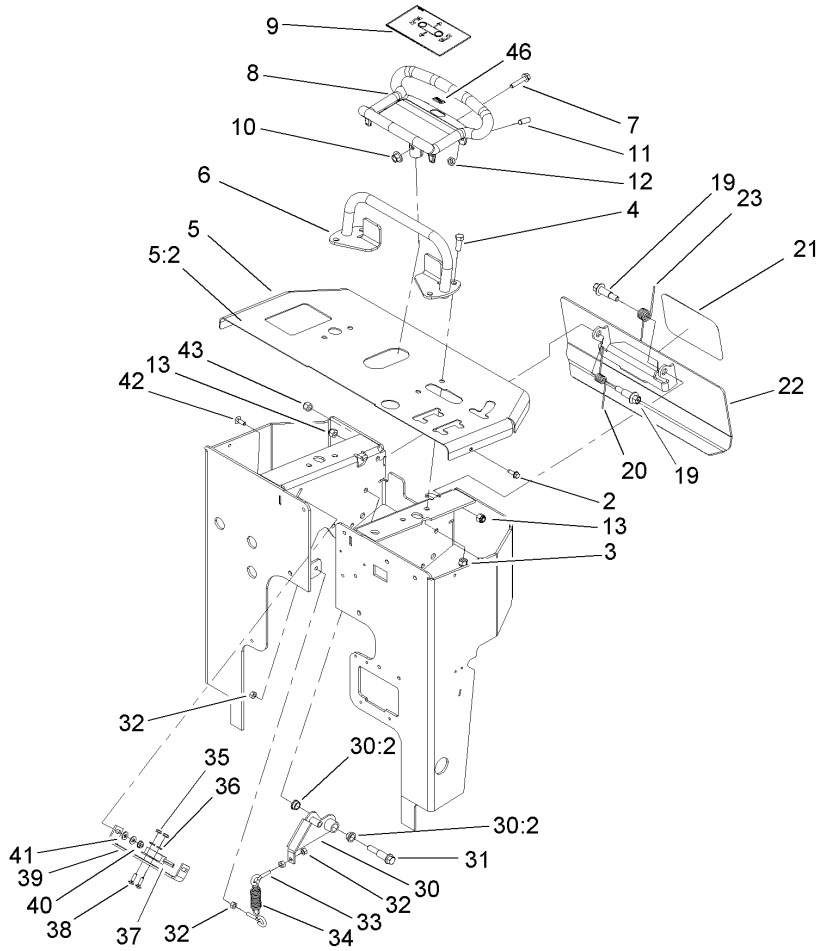
Ref	Part No.	Qty.	Description
16	106-3147	1	HYD Hose ASM
16:3	237-79	1	O-Ring
17	107-3593	1	HYD Hose ASM
18	107-3592	1	HYD Hose ASM
19	107-3591	1	HYD Hose ASM
20	340-8	1	Adapter
20:1	237-65	1	O-Ring
20:2	237-81	1	O-Ring
22	3296-29	3	Nut-Lock, NI
23	107-3595-01	1	Clamp-Hose
24	322-6	2	Screw-HH
25	3334-945	5	Tie-Cable
26	3290-379	4	Tie-Cable
27	104-0430	4	Stud
29	340-2	2	Fitting-Hyd, Straight
29:1	237-22	1	O-Ring
29:2	237-42	1	O-Ring
30	340-4	1	Fitting-Hyd, Straight
30:1	237-30	1	O-Ring
30:2	237-79	1	O-Ring
31	107-3589	2	Sleeve-Hose
32	32128-20	2	Nut-HF



Traction Control Assembly

Ref	Part No.	Qty.	Description
1	322-3	4	Screw-HH
2	68-2970	2	Bushing
3	3296-29	11	Nut-Lock, NI
4	322-7	1	Screw-HH
5	251-259	1	Bearing-Ball
6	88-7450	1	Spacer-Lever, Control
8	3217-5	1	Nut-Hex
9	3253-3	1	Washer-Lock
10	323-8	1	Screw-HH
11	98-8407	1	Lever-Return, RH
12	105-1210	1	Spring-Extension
13	63-2650	2	Screw-Shoulder
14	32151-91	1	Ring-Retaining
15	3256-42	3	Washer-Flat
16	98-8408	1	Lever-Return, LH
17	3296-39	1	Nut-Lock, NI
18	104-9968	1	Pivot Lever ASM
19	3256-22	1	Washer-Flat
20	3274-51	1	Screw-HSH
21	257-8	1	Washer-Thrust
22	106-5737	1	Control Support ASM
22:2	256-252	2	Bearing-Flange
23	106-5745	1	Drive Rod ASM
27	92-3133	4	Spacer-Lever, Traction

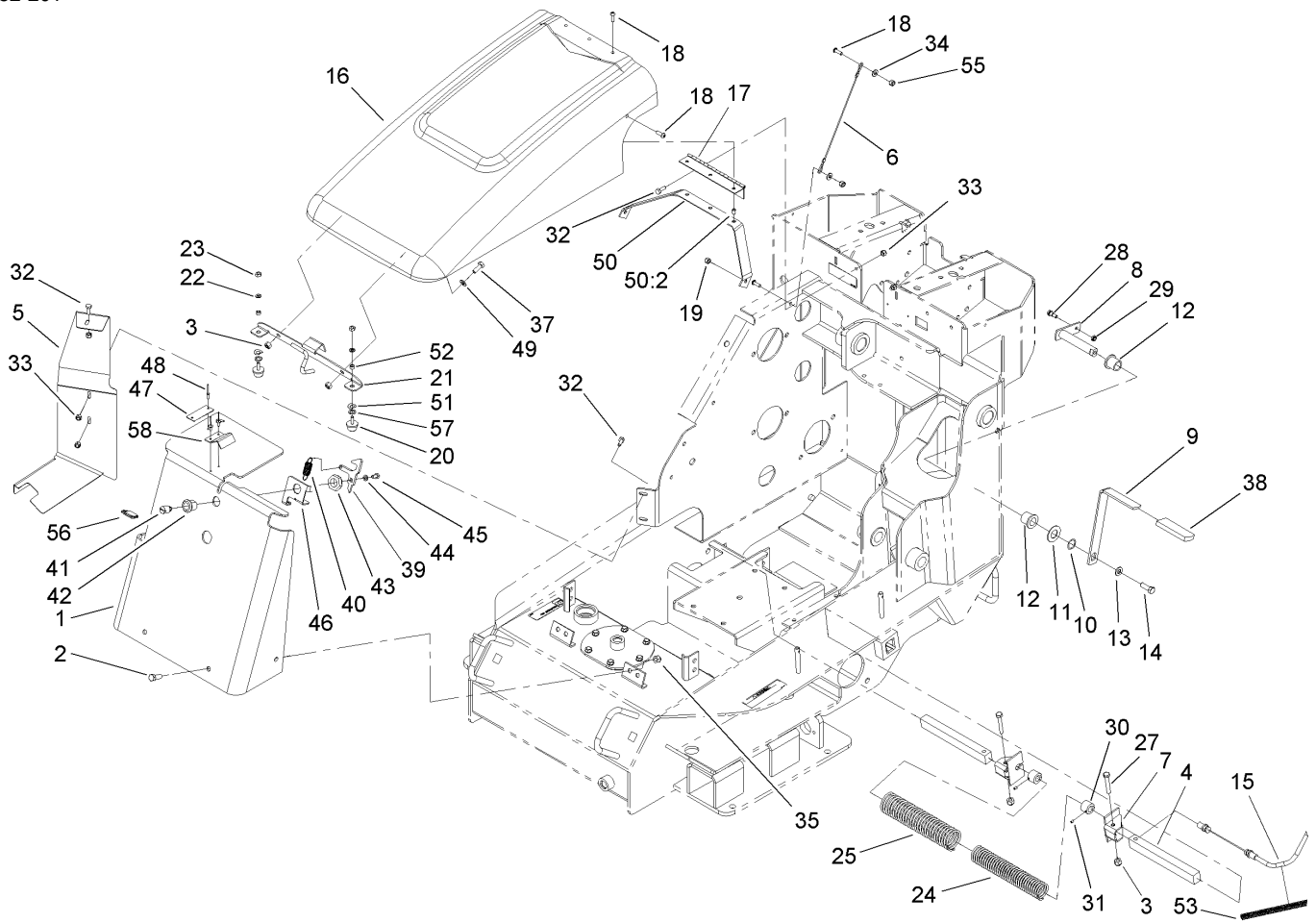
Ref	Part No.	Qty.	Description
30	32121-6	2	Pin-Roll, Slotted
31	3296-42	4	Nut-Lock, NI
32	2411-53	2	Bearing-Rod End, LH
33	104-8475	1	Pump Lever ASM
34	105-0365	2	Clamp-Traction
35	321-10	4	Screw-HH
36	105-9030	2	Rod-Linkage
37	3220-2	2	Nut-Jam
38	2411-52	2	Bearing-Rod End, RH
39	3274-83	4	Screw-HSH
42	3256-39	6	Washer-Flat
43	95-3703	2	Washer-Spring, Wave
44	105-0362	1	Pump Lever ASM



Control Panel Assembly

Ref	Part No.	Qty.	Description
2	32144-44	2	Screw-HWH
3	3296-22	4	Nut-Lock, NI
4	323-6	4	Screw-HH
5	106-9508	1	Control Panel ASM
5:2	106-9450	1	Decal-Control Panel
6	106-7715-03	1	Reference Bar ASM
7	3234-18	1	Screw-HHF
8	106-7614-03	1	Handle-Control
9	106-9453	1	Decal-Traction
10	32128-43	1	Nut-Flange
11	3247-7	2	Screw-Set, HSH
12	3218-3	2	Nut-Jam
13	3296-39	2	Nut-Lock, NI
19	62-1330	2	Bolt-Shoulder
20	98-8424	1	Spring-Torsion, RH
21	105-1217	1	Decal
22	105-9031-03	1	Reverse Plate ASM
23	98-8425	1	Spring-Torsion, LH
30	100-4203	1	Neutral Centering Lever ASM
30:2	256-156	2	Bushing-Flange
31	66-0560	1	Bolt-Shoulder
32	3217-5	4	Nut-Hex
33	71-2870	2	Bolt-Eye
34	105-1210	1	Spring-Extension

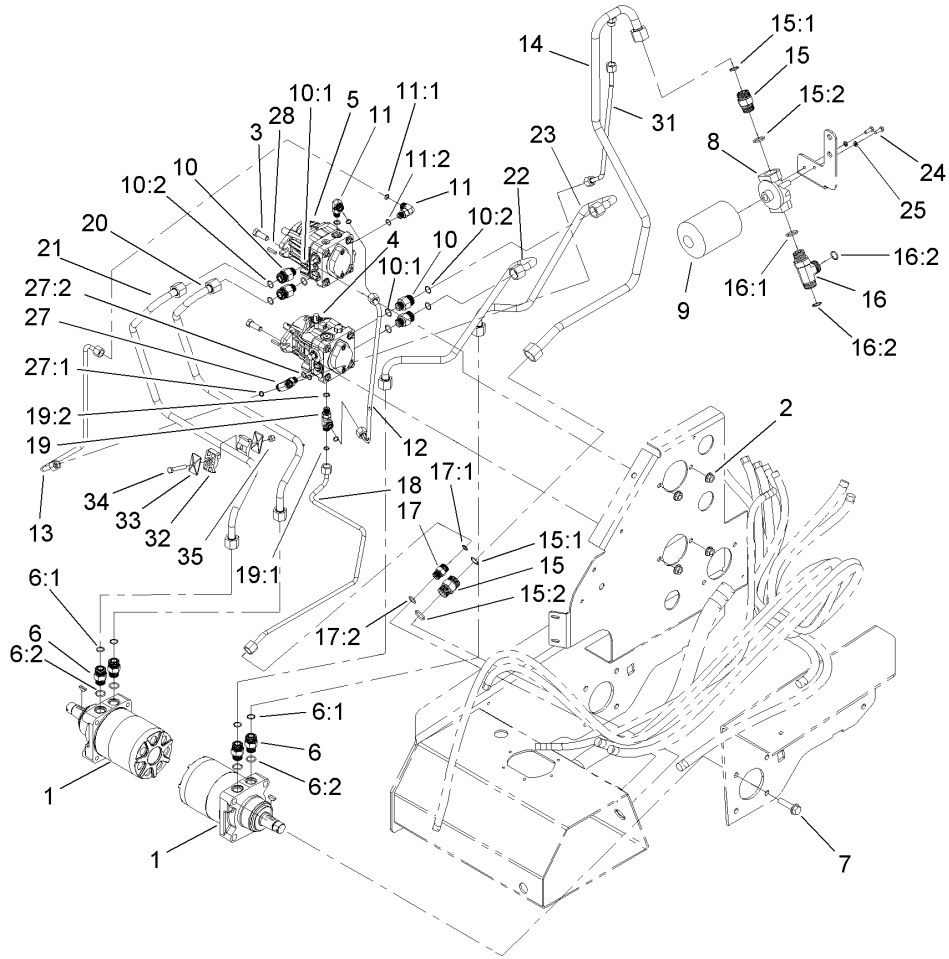
Ref	Part No.	Qty.	Description
35	32149-7	2	Nut-Keps
36	3256-51	2	Washer-Flat
37	100-1270	1	Switch-Proximity
38	3229-20	2	Screw-CARR
39	100-1263	1	Plate-Switch
40	32149-2	2	Nut-Keps
41	3256-22	4	Washer-Flat
42	3229-1	2	Screw-CARR
43	3296-6	1	Nut-Lock
46	98-1459	1	Decal



Hood and Brake Assembly

Ref	Part No.	Qty.	Description
1	105-9038-03	1	Grille
2	323-6	4	Screw-HH
3	3296-29	5	Nut-Lock, NI
4	106-9413-03	2	Bar-Brake
5	105-9144-03	1	Deflector-Exhaust
6	106-9418	1	Lanyard
7	106-9412-03	2	Bracket-Cable
8	106-9430	1	Brake Shaft ASM
9	105-9140-03	1	Handle-Brake
10	95-3703	1	Washer-Spring, Wave
11	3256-39	1	Washer-Flat
12	256-117	2	Bushing
13	3256-24	1	Washer-Flat
14	323-18	1	Screw-HH
15	106-9433	1	Cable-Brake
16	106-9420	1	Hood ASM
17	106-9408	1	Hinge-Hood
18	106-9518	6	Screw-Prh
19	3296-42	2	Nut-Lock, NI
20	1-523420	2	Bumper
21	106-9497-03	1	Rod Latch ASM
22	3253-3	2	Washer-Lock
23	3217-5	2	Nut-Hex
24	105-7055	1	Spring-Brake

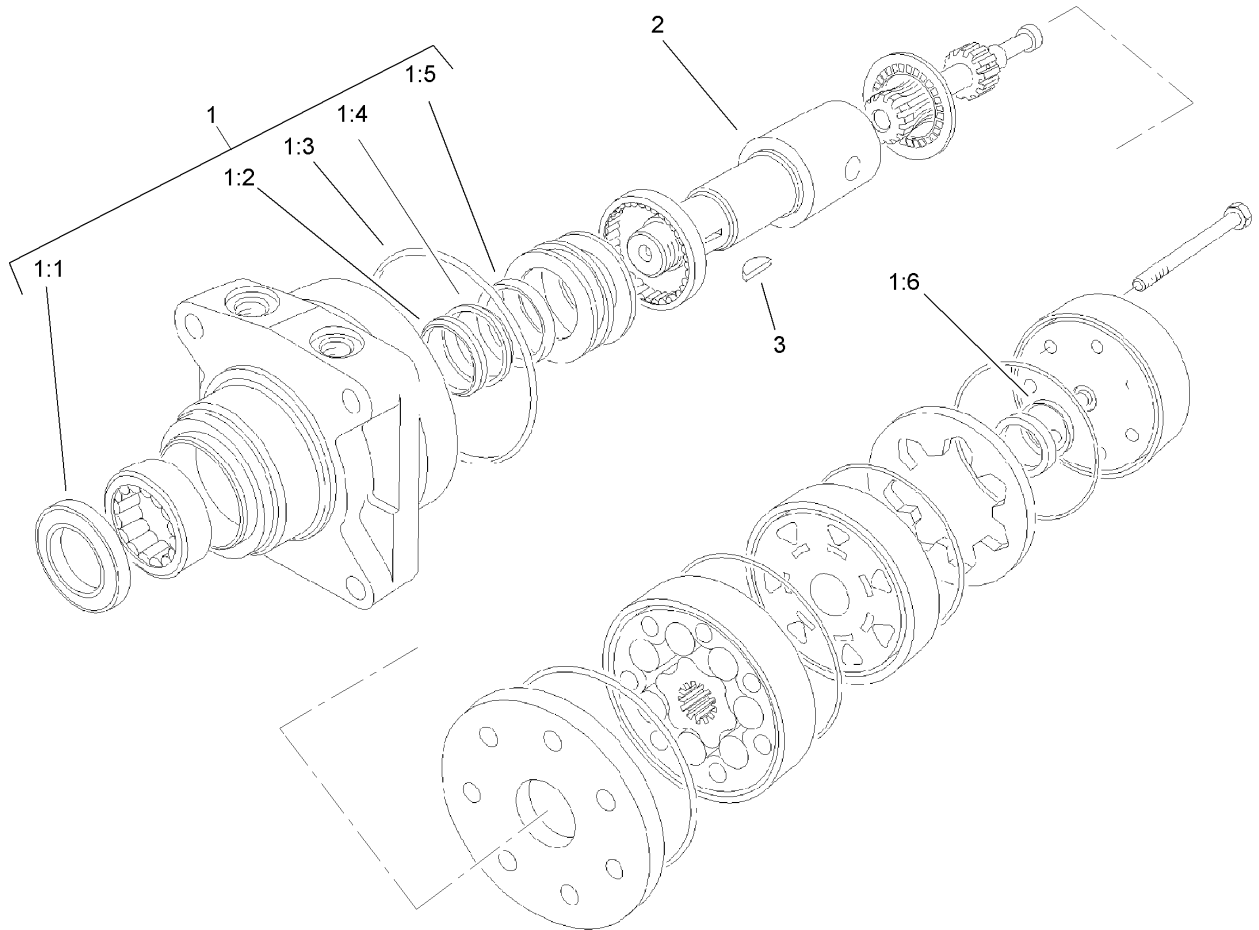
Ref	Part No.	Qty.	Description
25	105-7054	1	Spring-Brake
27	322-10	2	Screw-HH
28	42-3560	1	Bolt-Shoulder
29	3296-56	1	Nut-Lock, NI
30	100-6274	2	Tube-Guide
31	3245-20	2	Screw-HSH
32	321-4	6	Screw-HH
33	3296-42	4	Nut-Lock, NI
34	3256-78	2	Washer-Flat
35	3296-39	4	Nut-Lock, NI
37	322-4	3	Screw-HH
38	62-9130	1	Grip-Handle
39	106-5728	1	Cam-Latch
40	104-0869	1	Spring-Brake
41	106-9335	1	Housing-Latch
42	106-9336	1	Insert-Latch
43	3296-60	1	Nut-Lock, NI
44	3253-3	1	Washer-Lock
45	321-2	1	Screw-HH
46	106-5729-03	1	Bracket-Latch
47	80-9350	1	Plate-Hot Surface
48	3269-13	4	Rivet-Pop
49	3256-23	3	Washer-Flat
50	106-9519	1	Support-Hood



Traction Hydraulic Assembly

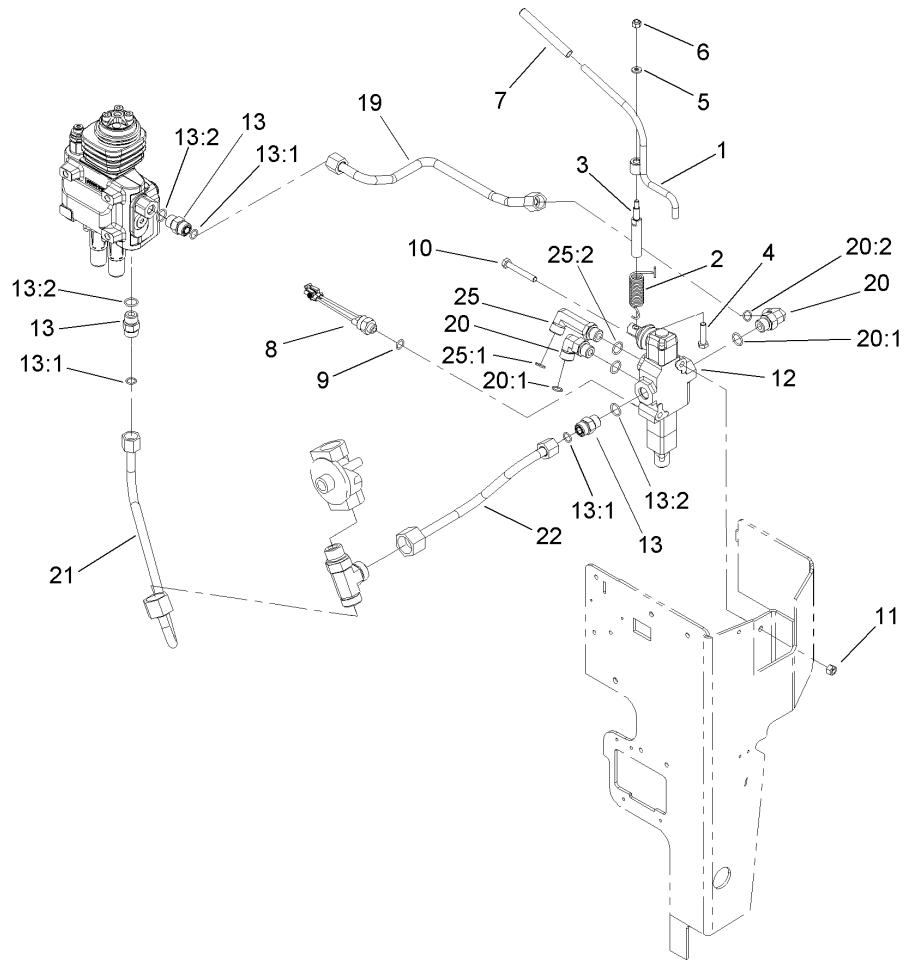
Ref	Part No.	Qty.	Description
1	104-8470	2	Motor-Wheel, HYD
2	32128-42	4	Nut-HF
3	324-5	4	Screw-HH
4	106-9470	1	Pump-HYD
5	106-9471	1	Pump-HYD
6	340-7	4	Adapter
6:1	237-65	1	O-Ring
6:2	237-80	1	O-Ring
7	3234-27	8	Screw-Flange
8	92-5821	1	Filter Head ASM
9	54-0110	2	Filter-Oil, Transmission
10	340-155	4	Fitting-Hyd, Straight
10:1	237-79	1	O-Ring
10:2	237-151	1	O-Ring
11	340-77	2	Fitting-Hyd, 90 DEG
11:1	237-22	1	O-Ring
11:2	237-42	1	O-Ring
12	106-9445	1	HYD Tube ASM
13	106-9439	1	HYD Tube ASM
14	106-9442	1	HYD Tube ASM
15	340-9	2	Fitting-Hyd, Straight
15:1	237-58	1	O-Ring
15:2	237-81	1	O-Ring
16	340-148	1	Fitting-Tee

Ref	Part No.	Qty.	Description
16:1	237-81	1	O-Ring
16:2	237-58	2	O-Ring
17	340-4	1	Fitting-Hyd, Straight
17:1	237-30	1	O-Ring
17:2	237-79	1	O-Ring
18	106-9440	1	Hydraulic Tube ASM
19	340-86	1	Fitting-Hyd, Tee
19:1	237-22	2	O-Ring
19:2	237-42	1	O-Ring
20	106-9429	1	HYD Tube ASM
21	106-9428	1	HYD Tube ASM
22	106-9423	1	HYD Tube ASM
23	106-9424	1	Hydraulic Tube ASM
24	321-4	2	Screw-HH
25	3253-3	2	Washer-Lock
27	340-94	1	Adapter
27:1	237-22	2	O-Ring
27:2	237-42	1	O-Ring
28	80-6090	2	Key-Pump
31	106-9441	1	HYD Tube ASM
32	56-7971	2	Clamp-Tube
33	69-9760	2	Coverplate
34	322-10	1	Screw-HH
35	3296-29	1	Nut-Lock, NI



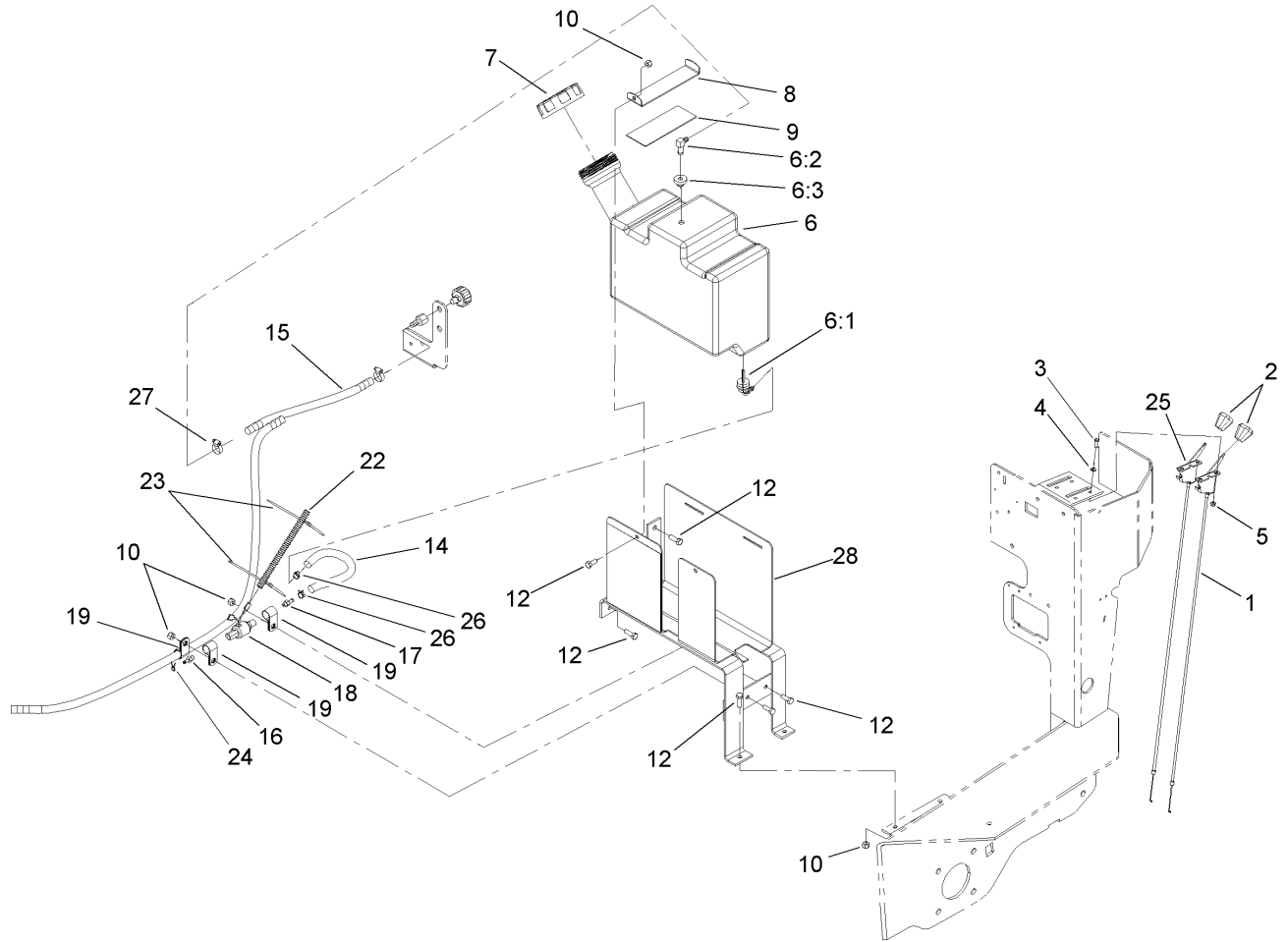
Hydraulic Motor Assembly No. 104-8470

Ref	Part No.	Qty.	Description
1	100-6131	1	Seal Kit
● 1:1		1	Seal-Dirt & Water
● 1:2		1	Washer-Backup
● 1:3		5	Seal-Ring
● 1:4		1	Washer-Backup
● 1:5		1	Seal-Inner
● 1:6		1	Seal-Commutator
2	99-3090	1	Shaft-Coupling
3	3257-42	1	Key-Woodruff



Principle Hydraulic Assembly

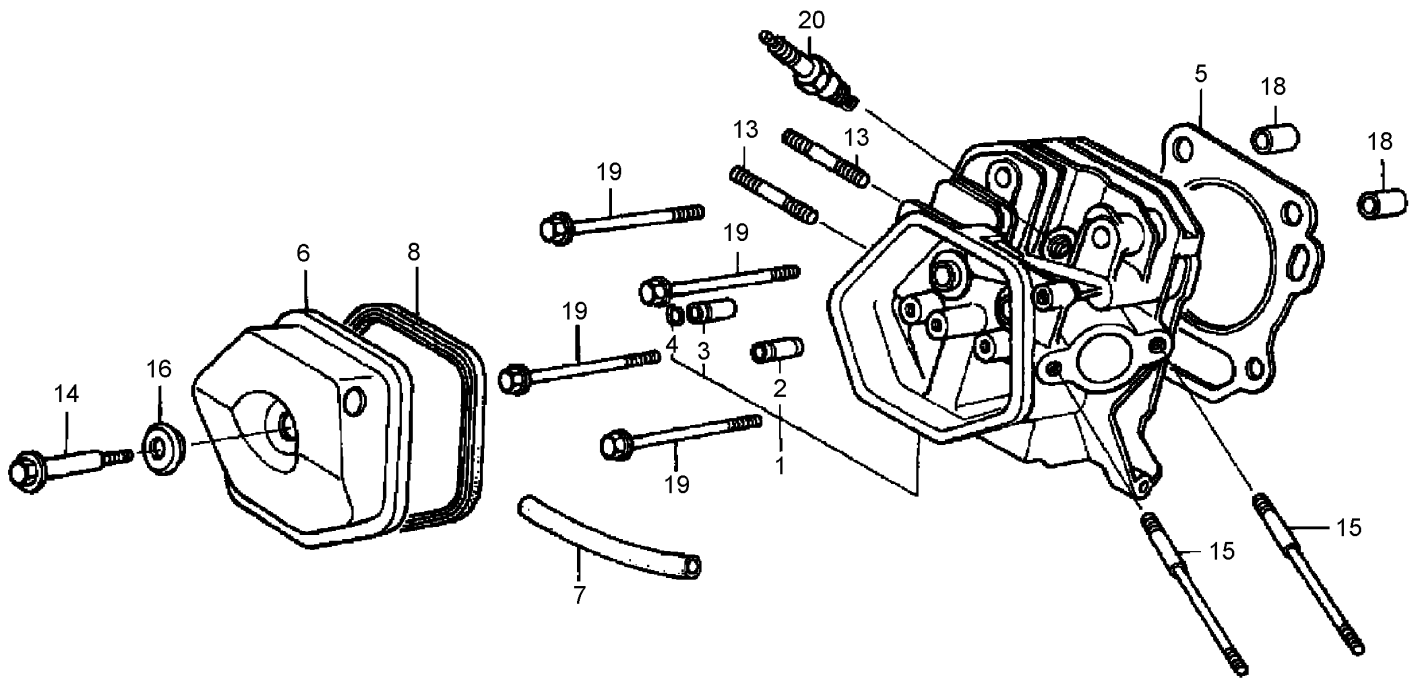
Ref	Part No.	Qty.	Description
1	100-4246	1	Auxiliary Lever ASM
2	100-6129	1	Spring-Torsion
3	104-2827	1	Spacer-Hiflo
4	48-7740	1	Screw
5	3256-16	1	Washer-Flat
6	3296-42	1	Nut-Lock, NI
7	92-6798	1	Cap-Rod, Tilt
8	72-4310	1	Switch-Ball
9	237-42	1	O-Ring
10	322-11	2	Screw-HH
11	3296-29	2	Nut-Lock, NI
12	106-9405	1	Valve-1 Spool
13	340-4	3	Fitting-Hyd, Straight
13:1	237-30	1	O-Ring
13:2	237-79	1	O-Ring
19	106-9437	1	Hydraulic Tube ASM
20	340-98	2	Fitting-Hyd, 90 DEG
20:1	237-79	1	O-Ring
20:2	237-30	1	O-Ring
21	106-9444	1	Hydraulic Tube ASM
22	106-9443	1	Hydraulic Tube ASM
25	99-6160	1	Fitting-Elbow, 90 DEG
25:1	237-30	1	O-Ring
25:2	237-79	1	O-Ring



Fuel Tank Assembly

Ref	Part No.	Qty.	Description
1	106-9435	1	Cable-Choke
2	66-0120	2	Knob
3	3290-134	4	Screw
4	3256-21	4	Washer-Flat
5	3296-2	4	Nut-Lock
6	106-9460	1	Fuel Tank ASM
6:1	103-2605	1	Fitting-Fuel, Bulkhead
6:2	100-1597	1	Fitting-90 Degree
6:3	46-6560	1	Bushing
7	95-4192	1	Unleaded Gas Cap ASM
8	106-9457-03	2	Strap-Tank
9	106-9488	2	Felt-Strap
10	3296-29	8	Nut-Lock, NI
12	322-5	8	Screw-HH
14	104-4119	1	Hose-Fuel
15	104-4848	1	Hose-Fuel
16	354-22	1	Fitting-Barb
17	304-73	1	Connector-Hose
18	106-9528	1	Valve-Shutoff, Fuel
19	2412-81	3	Clamp-R
22	106-9504	1	Cover-Brace
23	3290-381	2	Tie-Cable
24	2412-79	1	Clamp-Hose
25	106-9434	1	Cable-Throttle

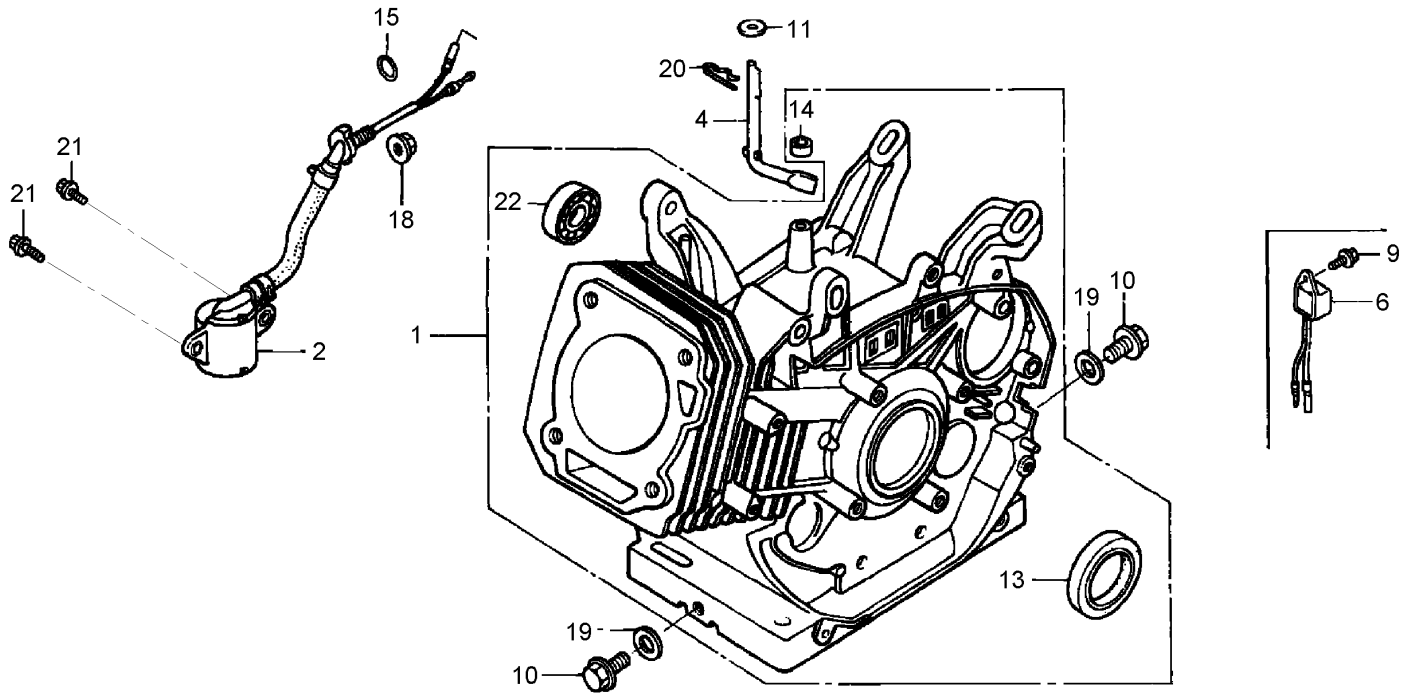
Ref	Part No.	Qty.	Description
26	2412-98	3	Clamp
27	2412-36	1	Clamp-Hose
28	106-9486	1	Tank Bracket ASM



Cylinder Head Assembly Honda GX390K1QNE2

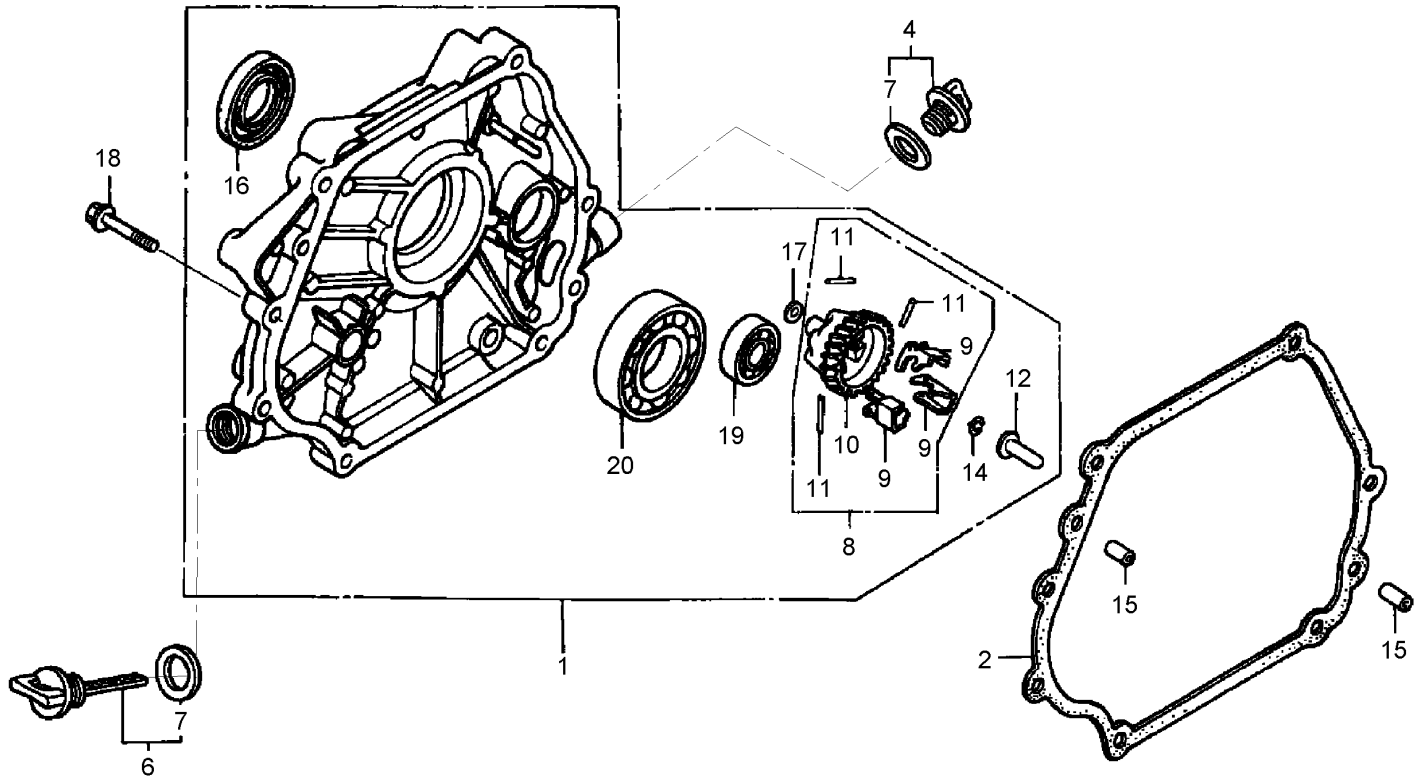
Ref	Part No.	Qty.	Description
❶	12200-ZF6-406	1	Cylinder Head
❷	12204-ZE2-306	1	Guide-Valve
❸	12205-ZE2-305	1	Guide-Valve, Exhaust
❹	12216-ZE2-300	1	Clip-Guide, Valve
❺	12251-ZF6-W00	1	Gasket-Cylinder Head
❻	12310-ZE2-020	1	Cover-Head
❼	95005-11001-30M	1	Bulk Hose-Vacuum
❽	12391-ZE2-020	1	Gasket-Cylinder Head Cover
❸	92900-08032-0E	2	Bolt 2-Stud
❹	90014-ZE2-000	1	Bolt-Head Cover
❺	90042-ZE8-000	2	Bolt-Stud
❻	90441-ZE2-010	1	Washer-Head Cover
❽	94301-12200	2	Pin A-Dowel
❾	95701-10080-00	4	Bolt-Flange

Ref	Part No.	Qty.	Description
❸	98079-55846	1	Plug-Spark (Bpr5es)
❸	98079-55855	1	Plug-Spark (W16ep-r-u)
❸	98079-56846	1	Spark Plug (Bpr6es)



Cylinder Barrel Assembly Honda GX390K1QNE2

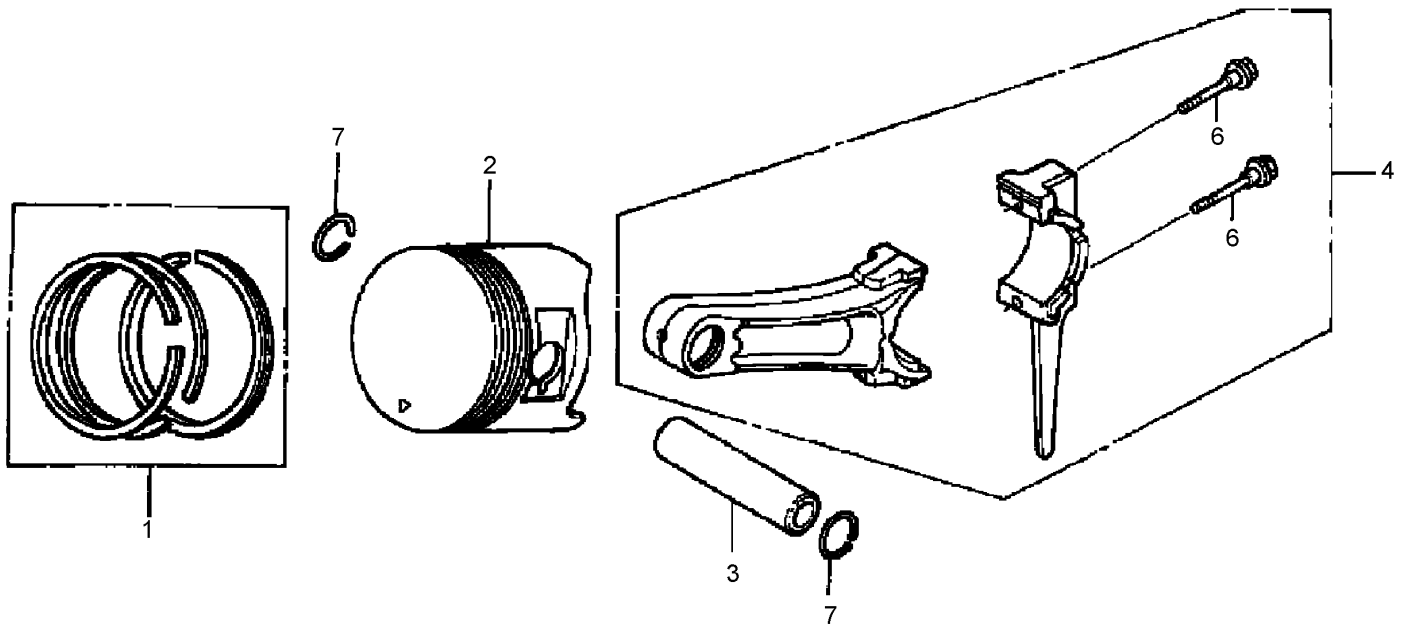
Ref	Part No.	Qty.	Description	Ref	Part No.	Qty.	Description
❶	12000-ZF6-425	1	Cylinder ASM	❷	15510-ZE2-043	1	Switch ASM-Oil Level
❹	16541-ZE3-010	1	Shaft-Governor Arm	❸	34150-ZH7-003	1	Alert Unit-Oil
❻	90013-883-000	1	Bolt-Flange (6x12)	❺	90131-883-000	2	Bolt-Drain Plug
❽	90131-896-650	2	Bolt-Drain Plug	❻	90131-896-650	2	Bolt-Drain Plug
❿	90446-KE1-000	1	Washer	⓫	91201-ZE3-004	1	Seal-Oil
⓬	91201-ZE9-003	1	Oil Seal	⓭	91203-952-771	1	Oil Seal
⓮	91353-671-003	1	O-Ring	⓯	94050-10000	1	Nut-Flange
⓱	94109-12000	2	Washer-Drain Plug	⓰	94251-10000	1	Pin-Lock
⓲	95701-06012-00	2	Bolt-Flange				
⓴	96100-62020-00	1	Bearing-Radial Ball				



Crankcase Cover Assembly Honda GX390K1QNE2

Ref	Part No.	Qty.	Description
❶	11300-ZE3-604	1	Cover ASM-Crankcase
❷	11381-ZE3-801	1	Gasket-Case Cover
❹	15600-ZG4-003	1	Cap ASM-Oil Filler
❻	15600-735-003	1	Cap ASM-Oil Filler
❼	15625-ZE1-003	2	Gasket-Cap, Oil Filler
❸	16510-ZE3-000	1	Governor ASM
❹	16511-ZE8-000	3	Weight-Governor
❺	16512-ZE3-000	1	Holder-Governor Weight
❺	16513-ZE2-000	3	Pin-Weight, Governor
❻	16531-Z0A-000	1	Slider-Governor
❻	90602-ZE1-000	1	Clip-Holder, Governor
❻	90701-HC4-000	2	Pin-Dowel
❻	91201-ZE3-004	1	Seal-Oil
❻	94101-06800	1	Washer-Plain (6mm)

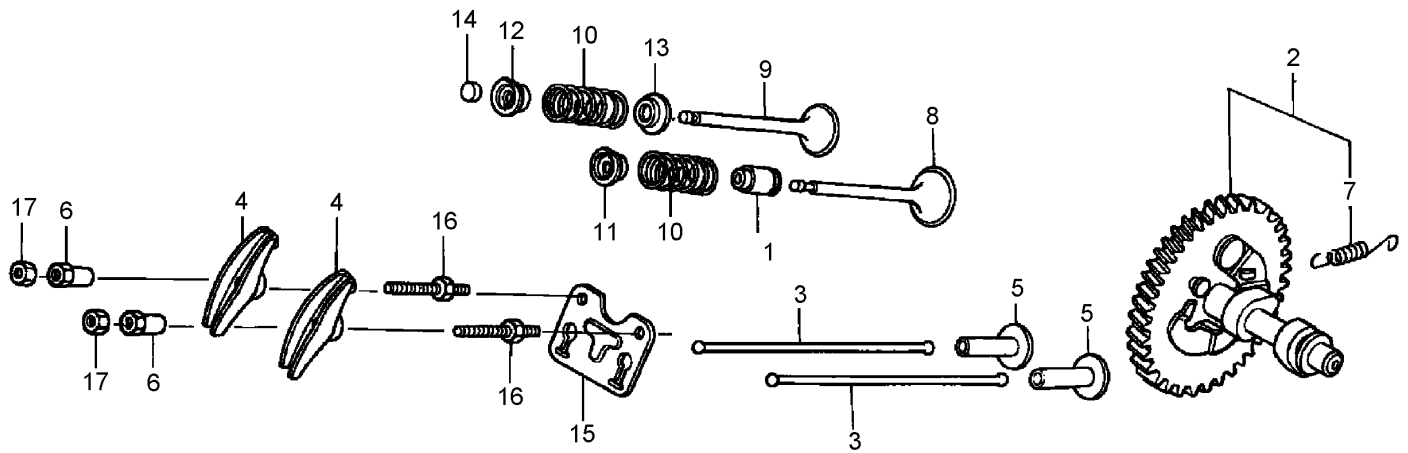
Ref	Part No.	Qty.	Description
❻	95701-08040-00	7	Bolt-Flange
❻	96100-62020-00	1	Bearing-Radial Ball
❻	96100-62070-00	1	Bearing-Ball, Radial



Piston Assembly Honda GX390K1QNE2

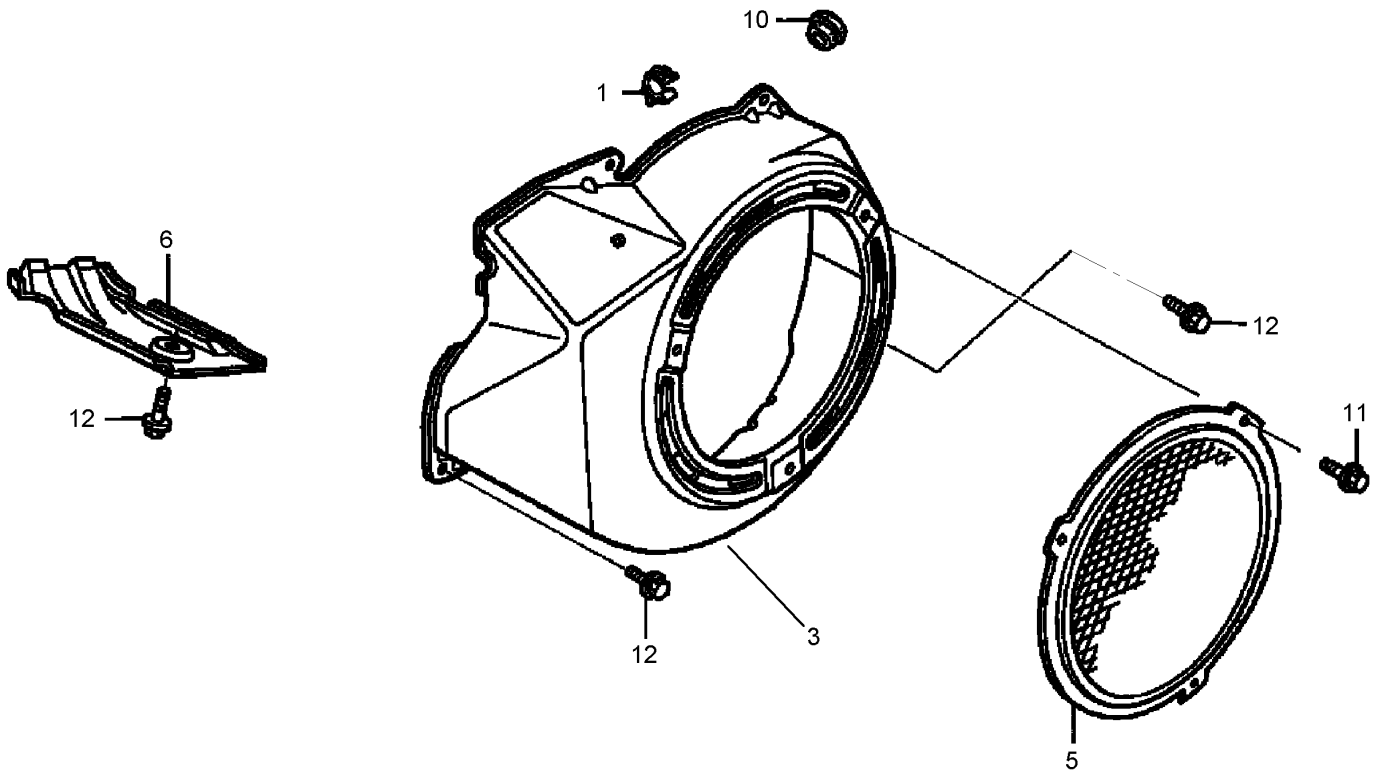
Ref	Part No.	Qty.	Description
●1	13010-ZF6-003	1	Ring Set, Piston (Std)
●1	13011-ZF6-003	1	Ring Set, Piston (Os 0.25)
●1	13012-ZF6-003	1	Ring Set, Piston (Os 0.50)
●1	13012-ZF6-005	1	Ring Set, Piston (Os 0.50)
●1	13013-ZF6-003	1	Ring Set, Piston (0.75) (Nippon)
●2	13101-ZF6-W00	1	Piston (Std)
●2	13102-ZF6-W00	1	Piston (Os 0.25)
●2	13103-ZF6-W00	1	Piston (Os 0.50)
●2	13104-ZF6-W00	1	Piston (0.75)
●3	13111-ZF6-W00	1	Pin, Piston
●4	13200-ZE3-020	1	Rod ASM-Connecting (Std)
●4	13200-ZE3-315	1	Rod ASM-Connecting (Us 0.25)
●6	90001-ZE8-000	2	Bolt-Connecting Rod

Ref	Part No.	Qty.	Description
●7	90601-ZE3-000	2	Clip-Piston Pin (20mm)



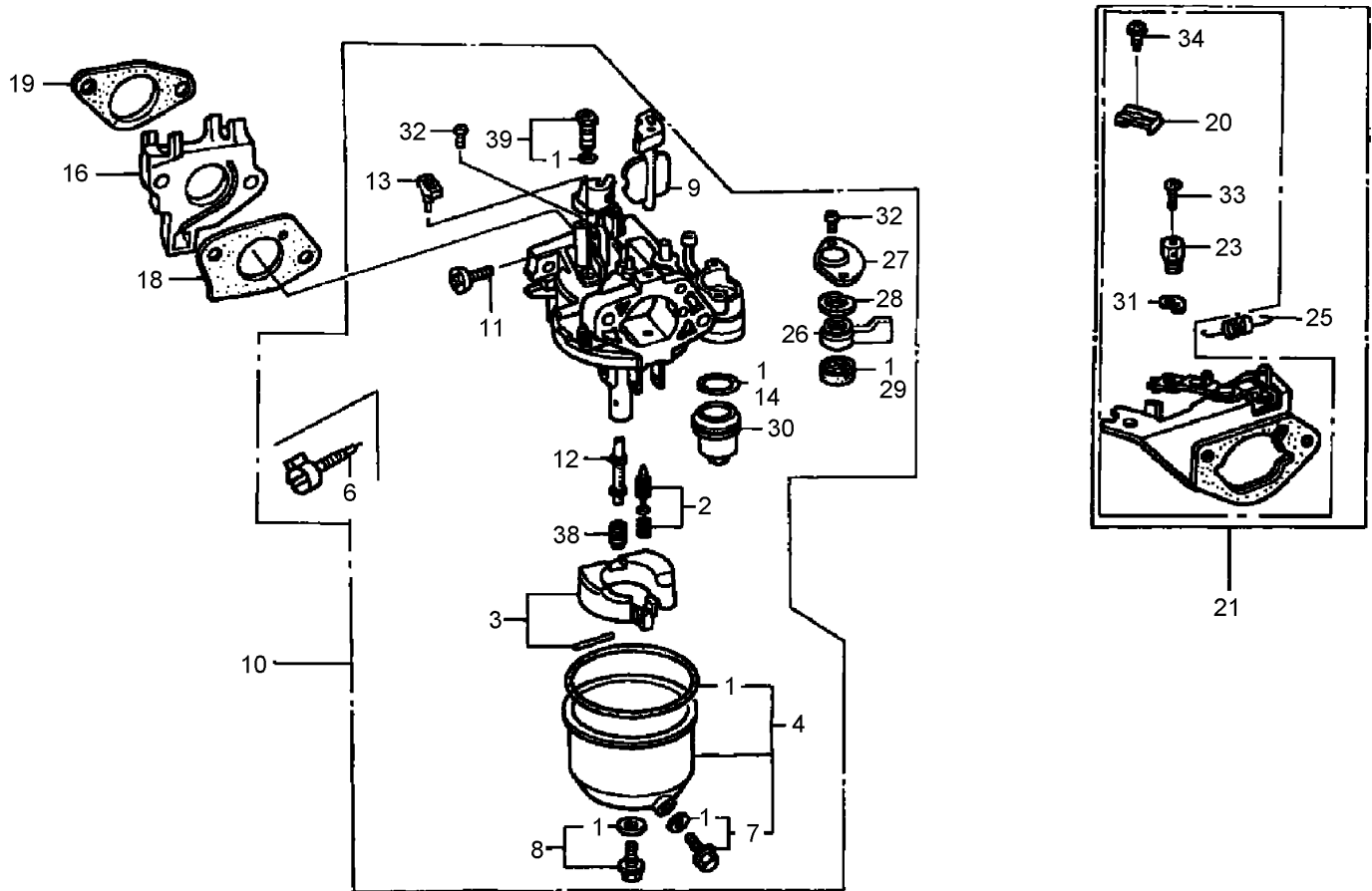
Camshaft Assembly Honda GX390K1QNE2

Ref	Part No.	Qty.	Description	Ref	Part No.	Qty.	Description
1	12209-ZE8-003	1	Seal, Valve Stem	14	14781-ZE2-000	1	Rotator-Valve
2	14100-ZF6-W01	1	Camshaft ASM	15	14791-ZE2-010	1	Plate-Push Rod
3	14410-ZE3-013	2	Rod, Push	16	90012-ZE0-010	2	Bolt-Pivot (8mm)
4	14431-ZE2-010	2	Arm, Valve Rocker	17	90206-ZE1-000	2	Nut-Pivot Adj.
5	14441-ZE2-000	2	Lifter, Valve				
6	14451-ZE1-013	2	Pivot-Arm, Rocker				
7	14568-ZE1-000	1	Spring-Return, Weight				
8	14711-ZE3-000	1	Valve-Intake				
9	14721-ZE3-000	1	Valve-Exhaust				
10	14751-ZE2-003	2	Spring-Valve				
11	14771-ZE2-000	1	Retainer, In. Valve				
12	14773-ZE2-000	1	Retainer, Ex. Valve				
13	14775-ZE2-010	1	Seat-Valve Spring				



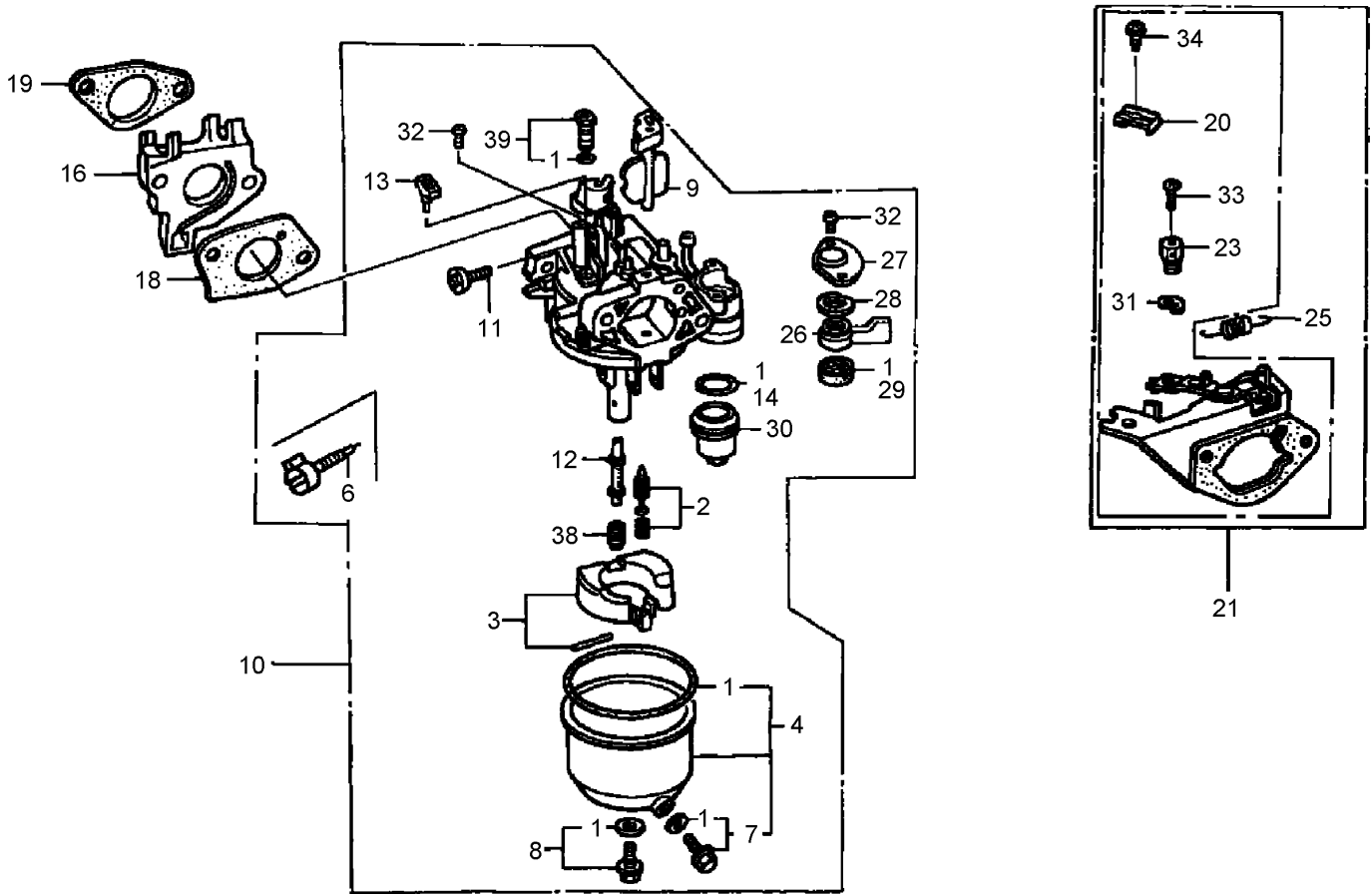
Fan Cover Assembly Honda GX390K1QNE2

Ref	Part No.	Qty.	Description				
1	16731-ZE2-003	1	Clip-Tube				
3	19610-ZE3-010ZL	1	Cover-Fan R280 (Power)				
5	19620-ZE3-811	1	Protector-Fan Cover				
6	19631-ZE3-W00	1	Shroud				
10	81329-567-020	1	Grommet-Drain Hole				
11	90008-ZE2-003	3	Bolt-Flange				
12	90013-883-000	6	Bolt-Flange (6x12)				



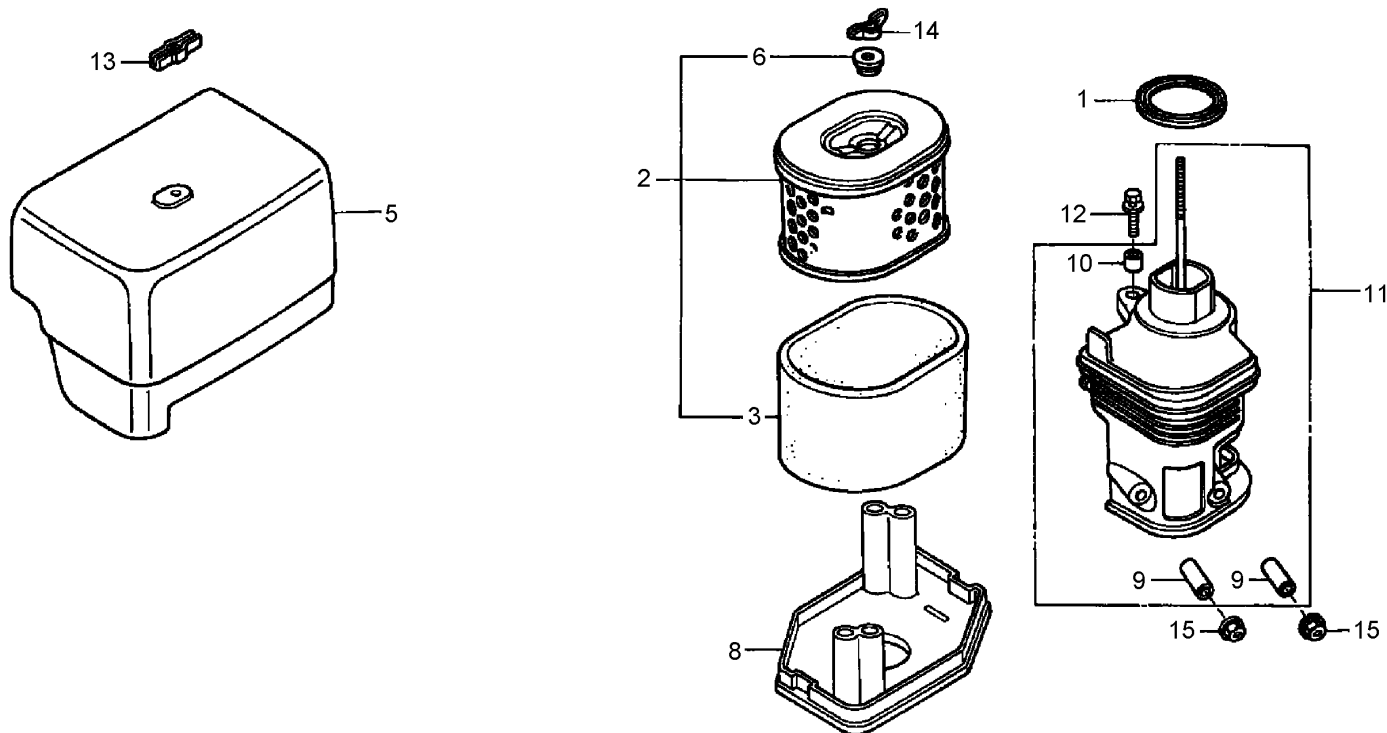
Carburetor Assembly Honda GX390K1QNE2

Ref	Part No.	Qty.	Description	Ref	Part No.	Qty.	Description
1	16010-ZE2-812	1	Gasket Set	16	16211-ZF6-000	1	Insulator-Carburetor
2	16011-ZA0-931	1	Valve Set-Float	18	16221-ZF6-800	1	Gasket-Carburetor
3	16013-ZA0-931	1	Float Set	19	16223-ZE3-W00	1	Gasket-Insulator
4	16015-ZE8-005	1	Chamber Set-Float	20	16576-891-000	1	Holder-Cable
6	16016-ZH7-W01	1	Screw Set	21	16590-ZE2-812	1	Stay ASM-Choke (Remote)
7	16024-ZE1-811	1	Screw Set-Drain	23	16594-883-010	1	Holder-Wire
8	16028-ZE0-005	1	Screw-Set	25	16615-ZE2-810	1	Spring-Return
9	16044-ZE3-W20	1	Choke Set	26	16953-ZE1-812	1	Lever-Valve
10	16100-ZF6-V01	1	Carburetor ASM (Be85b)	27	16954-ZE1-812	1	Plate-Setting, Lever
11	16124-ZE0-005	1	Screw-Stop, Throttle	28	16956-ZE1-811	1	Spring-Lever, Valve
12	16166-ZF6-V00	1	Nozzle-Main	29	16957-ZE1-812	1	Gasket-Valve
13	16172-ZE3-W10	1	Collar-Set	30	16967-ZE0-811	1	Cup-Fuel Strainer
14	16173-001-004	1	Gasket-Fuel Strainer	31	90605-230-000	1	Circlip (5mm)



Carburetor Assembly Honda GX390K1QNE2 (continued)

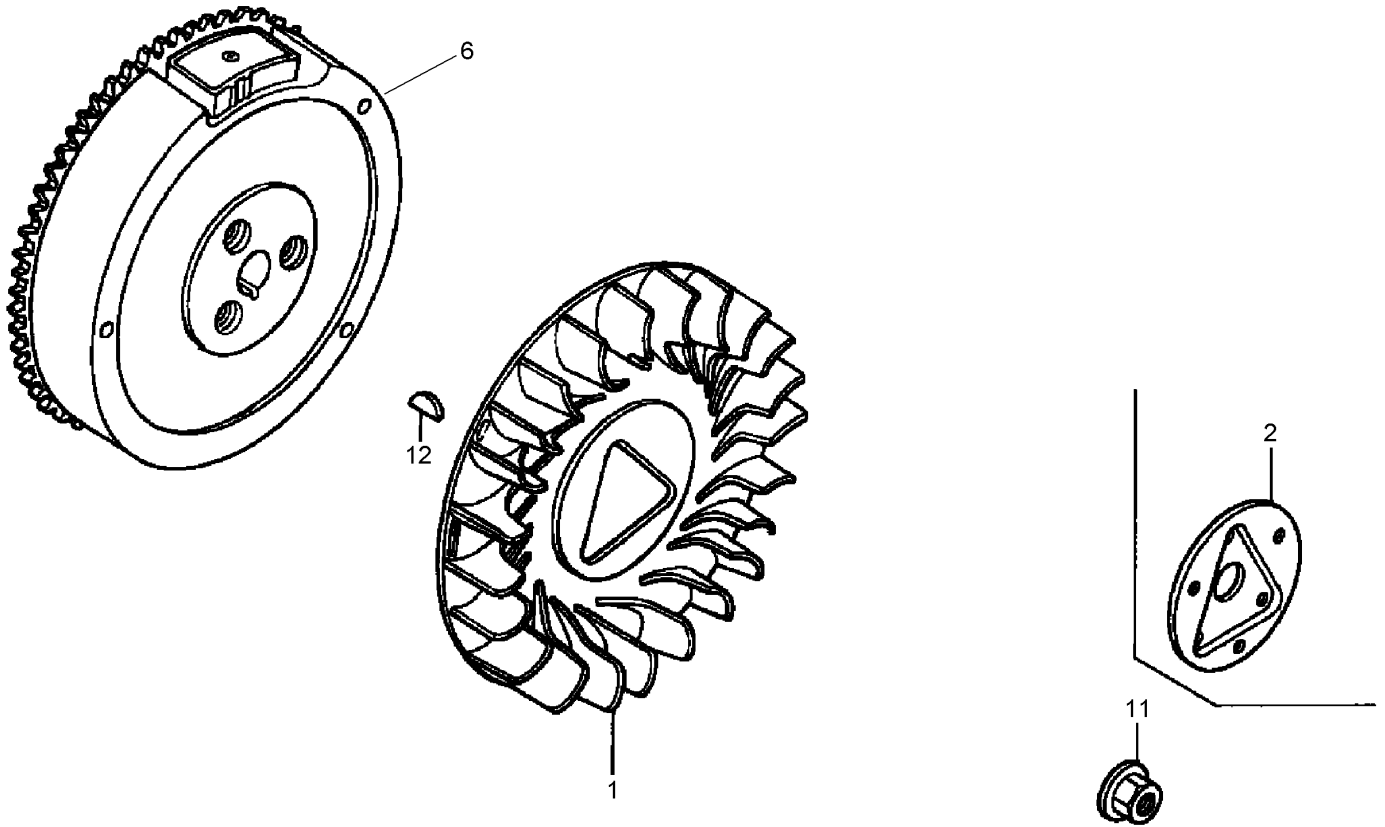
Ref	Part No.	Qty.	Description
32	93500-03006-	2	Screw-Pan (3x6)
33	93500-04006-	1	Screw-Pan (4x6)
34	93893-05016-	1	Screw-Washer
38	99101-ZH8-0880	1	Jet-Main (#88)
38	99101-ZH8-0900	1	Jet-Main (#90)
38	99101-ZH8-0920	1	Jet-Main (#92)
39	99204-ZA0-0450	1	Jet Set, Pilot (#45)



Air Cleaner Assembly Honda GX390K1QNE2

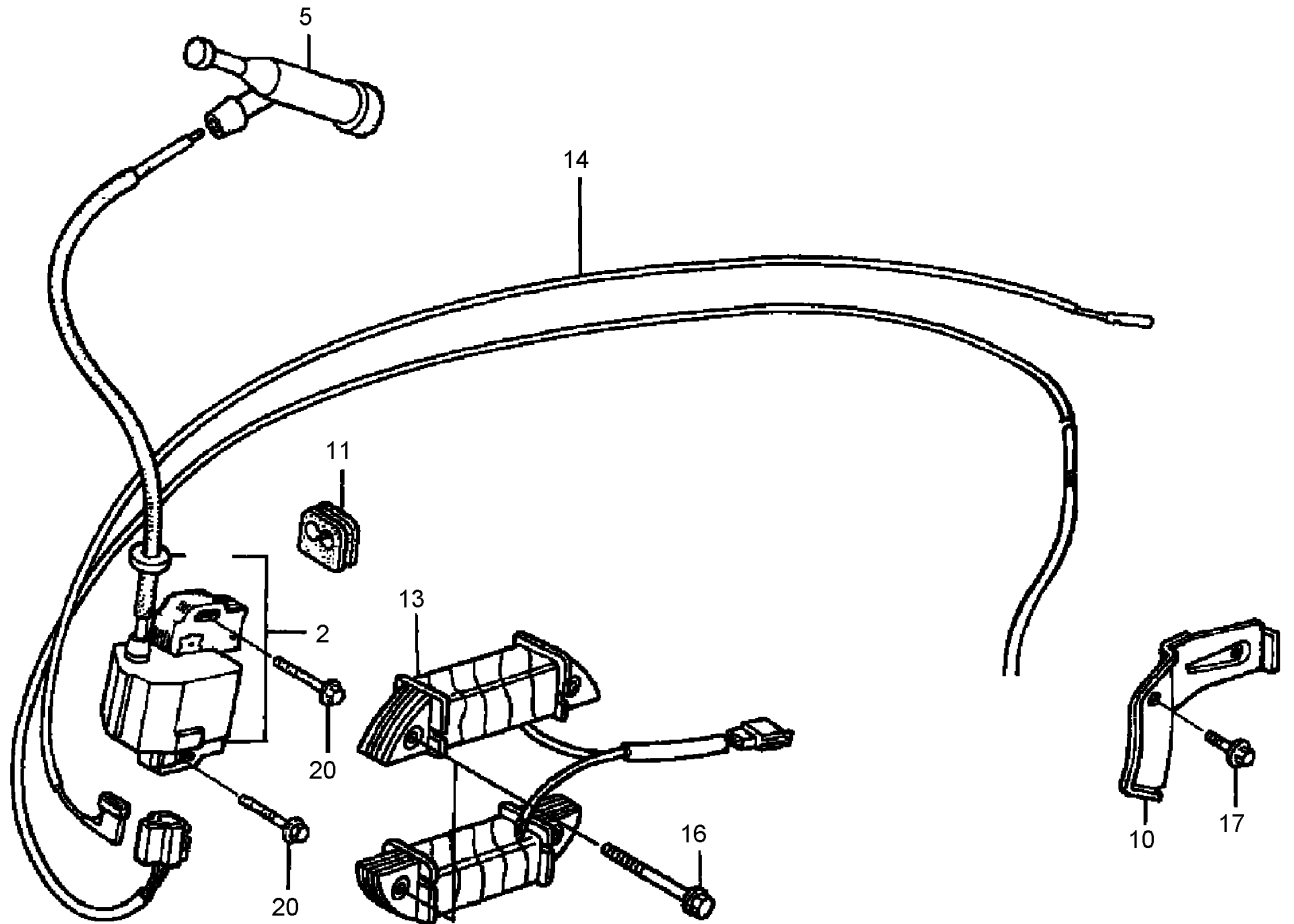
Ref	Part No.	Qty.	Description
❶	16271-ZE2-010	1	Gasket-Elbow
❷	17210-ZE3-505	1	Element-Air Cleaner
❸	17218-ZE3-000	1	Filter (Outer)
❺	17231-ZE3-W01	1	Cover-Air Cleaner
❻	17232-891-000	1	Grommet-Air Cleaner
❸	17235-ZH9-N00	1	Nose-Muffler
❹	17238-ZE2-310	2	Collar-Air Cleaner
❿	17239-ZE1-000	1	Collar B-Air Cleaner
⓫	17410-ZH9-N00	1	Elbow-Air Cleaner
❿	90009-ZE2-003	1	Bolt-Washer (6x22)
⓬	90203-ZA0-800	1	Wingnut (6mm)
⓭	90325-044-000	1	Wingnut-Tool Box Setting
⓮	94050-06000	2	Nut-Flange (6mm)

--	--	--	--



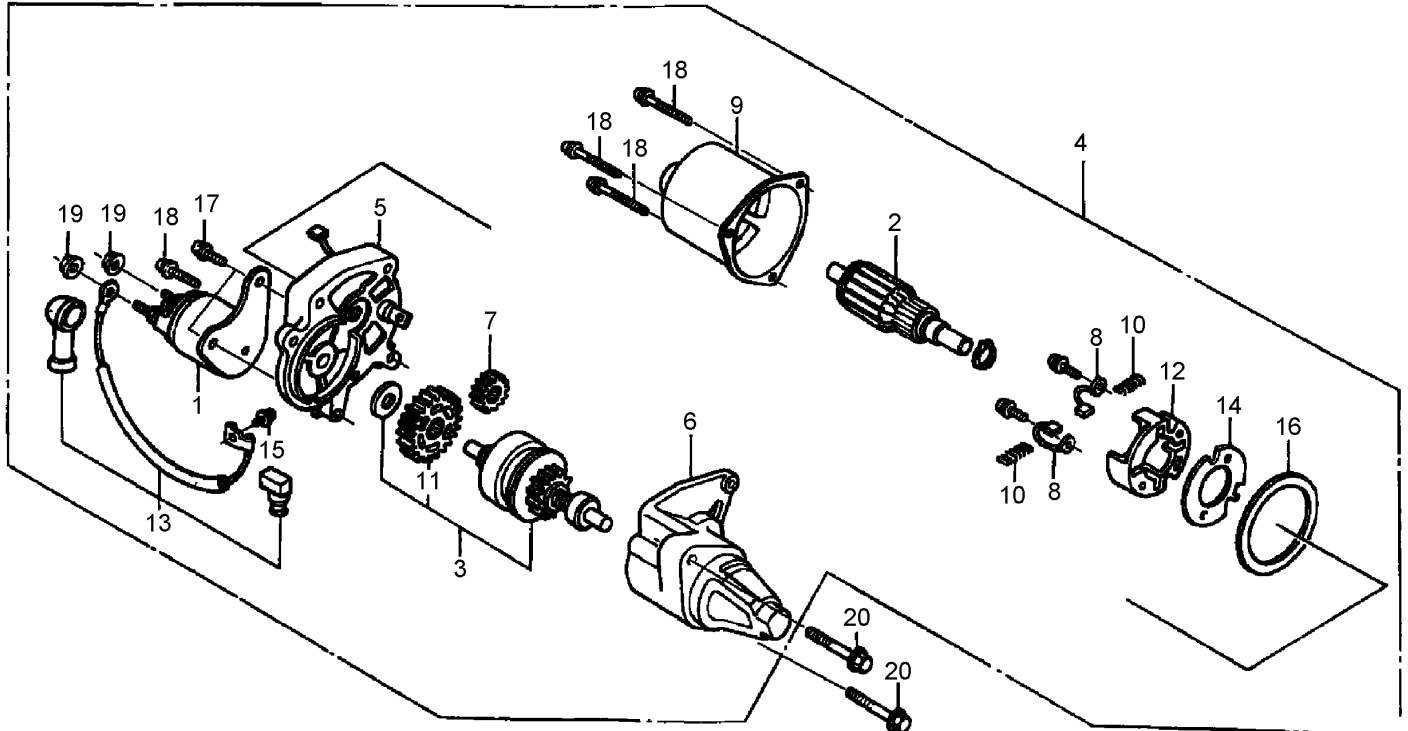
Flywheel Assembly Honda GX390K1QNE2

Ref	Part No.	Qty.	Description				
1	19511-ZE3-000	1	Fan-Cooling				
2	19512-ZE2-000	1	Plate-Cooling Fan Setting				
6	31100-ZE3-W01	1	Flywheel (4 Pole)				
11	90201-ZE3-V00	1	Nut-Special (16mm) (1)				
12	90741-ZE2-000	1	Key-Woodruff (25x18)				



Ignition Coil Assembly Honda GX390K1QNE2

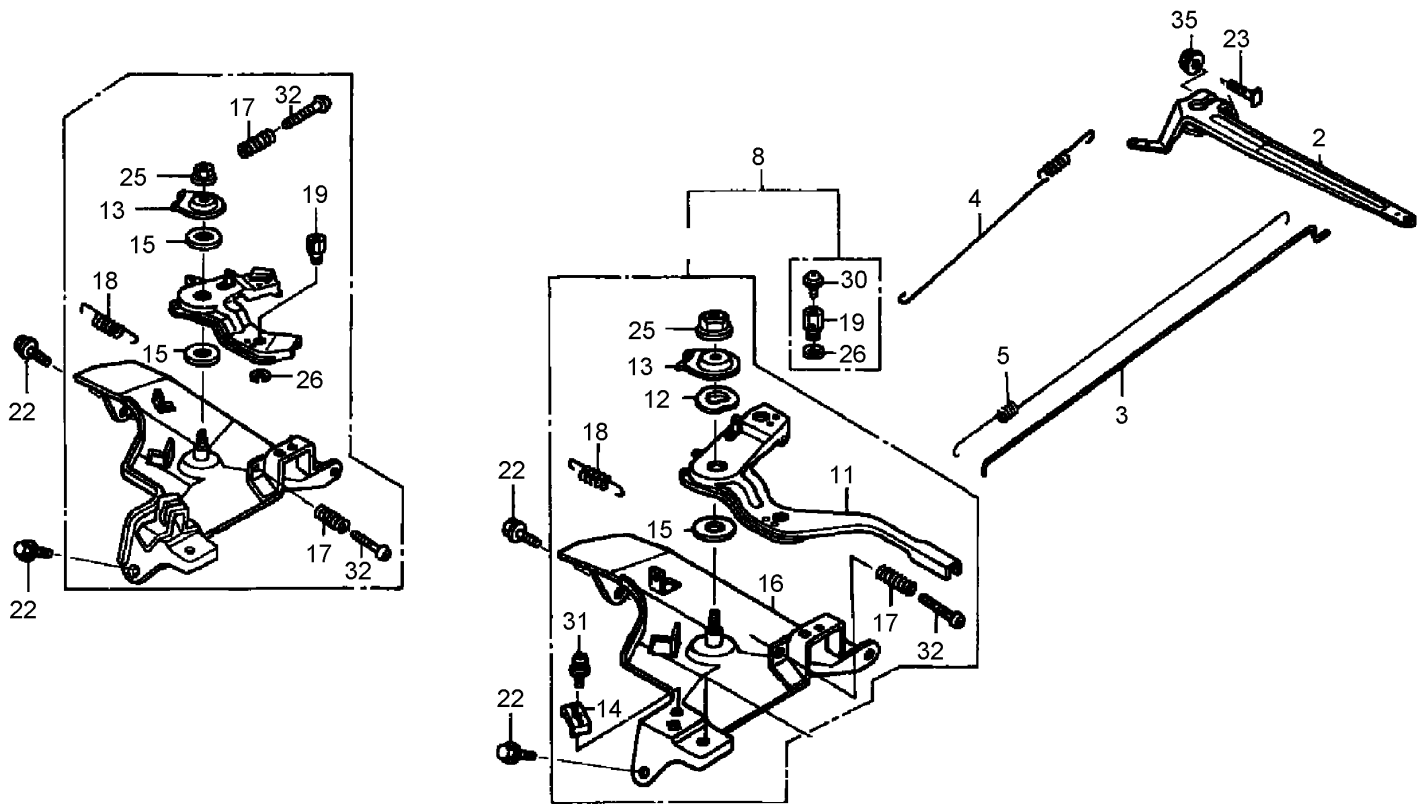
Ref	Part No.	Qty.	Description				
●2	30500-ZF6-W02	1	Coil ASM-Ignition				
●5	30700-ZE1-013	1	Cap ASM- Noise Suppressor				
●10	31511-ZE3-000	1	Clamp-Wire				
●11	31512-ZE2-000	1	Grommet-Wire				
●13	31630-ZE2-861	1	Coil ASM-Charge (10a)				
●14	36101-ZE2-701	1	Wire-Stop Switch (430mm)				
●16	90012-888-000	4	Bolt-Flange (6x40)				
●17	90013-883-000	1	Bolt-Flange (6x12)				
●20	90015-883-000	2	Bolt-Flange (6x28)				



Starter Motor Assembly Honda GX390K1QNE2

Ref	Part No.	Qty.	Description
❶	31204-ZA0-003	1	Contactora ASM
❷	31206-ZE3-003	1	Armature
❸	31207-ZE3-003	1	Clutch-Overrunning
❹	31210-ZE3-013	1	Motor Unit-Starter
❺	31211-ZE2-003	1	Bracket-Center
❻	31212-ZE3-003	1	Bracket-Fr
❼	31213-ZE2-003	1	Gear-Drive Pinion
❽	31215-ZE2-003	2	Brush
❾	31218-ZE3-003	1	Yoke
❿	31219-ZE2-003	4	Spring-Brush Return
⓫	31222-ZE3-791	1	Gear-Reduction
⓬	31231-ZE2-003	1	Holder-Brush
⓭	31232-ZE3-003	1	Wire-Water Cover

Ref	Part No.	Qty.	Description
⓮	31233-ZE2-003	1	Insulator
⓯	90110-ZE2-003	1	Screw-Washer (4x6)
⓰	91601-ZE2-003	1	Gasket
⓱	90007-ZE2-003	2	Bolt-Washer (5x14)
⓲	93892-05032-08	4	Screw-Washer (5x3)
⓳	94070-06080	2	Nut-Washer (6mm)
⓴	95701-08035-08	2	Bolt-Flange (8x35)



Control Assembly Honda GX390K1QNE2

Ref	Part No.	Qty.	Description
●2	16551-ZE3-000	1	Arm-Governor
●3	16555-ZE3-000	1	Rod-Governor
●4	16561-ZE3-000	1	Spring-Governor
●5	16562-ZE3-000	1	Spring-Throttle Return
●8	16570-ZE3-W10	1	Control ASM (Remote)
●11	16571-ZE3-W00	1	Lever-Control
●12	16574-ZE1-000	1	Spring-Lever
●13	16575-ZE2-W00	1	Washer-Control Lever
●14	16576-891-000	1	Holder-Cable
●15	16578-ZE1-000	1	Spacer-Control Lever
●16	16581-ZE3-W00	1	Base-Control
●17	16584-883-300	1	Spring-Adjusting, Control
●18	16592-883-310	1	Spring-Cable Return

Ref	Part No.	Qty.	Description
●19	16594-883-010	1	Holder-Wire
●22	90013-883-000	2	Bolt-Flange (6x12)
●23	90015-ZE5-010	1	Bolt-Arm, Governor
●25	90114-SA0-000	1	Nut-Self-Lock (6mm)
●26	90605-230-000	1	Circlip (5mm)
●30	93500-04006-0H	1	Screw-Pan (4x6)
●31	93500-05016-0A	1	Screw-Pan (5x16)
●32	93893-05016-00	1	Screw-Washer (5x16)
●32	93500-05032-0A	1	Screw-Pan (5x32)
●35	94050-06000	1	Nut-Flange (6mm)

Attachments and Accessories

For 22308 - Dingo TX 413 Compact Utility Loader

Product Name	Model/Part
Track Kit	104-6106
Road Wheel Kit	106-7620
Road Wheel Kit, 5-Pack	106-7627

NOTES

