



13-32G Rear-Engine Riding Mower

Model No. 70185 - 240000001 and up.

Parts Catalog

Ordering Replacement Parts

To order replacement parts, please supply the part number, the quantity, and the description of each part desired.

Understanding Reference Numbers

Each Identified part in an illustration has a reference number. The reference number for a part also appears in the parts list, along with other information about the part.

This catalog uses two special reference number formats, one to indicate parts in a service assembly and another to indicate the quantity of a given part in an illustration.

Service Assembly Reference Numbers

Parts in service assemblies have reference numbers in the form a:b. The a represents the reference number of the entire service assembly and the b represents a sequential number unique to each part within the service assembly.

For example, a wheel assembly might be identified by reference number 6, the tire by 6:1, the valve by 6:2, and the wheel by 6:3. When you order the assembly identified by reference number 6, you receive all parts identified by reference numbers 6:1, 6:2, and 6:3. However, you may also order any part individually. Reference numbers of this type appear in illustrations and in part lists.

Reference Numbers Indicating Quantity

In an illustration, if a reference number indicates more than one part, the reference number has the form nX y. The n represents the quantity of the part, the X is the multiplication symbol, and the y represents the reference number.

For example, in an illustration, the reference number 2X 37 means that two of the parts identified by reference number 37 are indicated.

Contents

Description	Page	Description	Page
Body and Decal Assembly 3	Oil Filter, Tube and Pump Assembly Briggs and Stratton 31G777-0121-E1 18
Seat and Rear Bag Assembly 4	Crankcase Assembly Briggs and Stratton 31G777-0121-E1 19
Front Axle and Steering Assembly 5	Carburetor Assembly Briggs and Stratton 31G777-0121-E1 20
Deck and Spindle Assembly 6	Governor Assembly Briggs and Stratton 31G777-0121-E1 21
Deck Suspension Assembly 8	Blower Housing Assembly Briggs and Stratton 31G777-0121-E1 22
Rear Wheel and Transmission Assembly 9	Starter Assembly Briggs and Stratton 31G777-0121-E1 23
Engine and Fuel Tank Assembly 10	Gasket Assembly Briggs and Stratton 31G777-0121-E1 24
Gear Transmission and Linkage Assembly 11	Carburetor Overhaul Kit Assembly Briggs and Stratton 31G777-0121-E1 25
Cover Assembly Peerless No. MST205-542D 12		
Case Assembly Peerless No. MST-542D 13		
Electrical and Cable Assembly 14		
Cylinder Assembly Briggs and Stratton 31G777-0121-E1 15		
Cylinder Head Assembly Briggs and Stratton 31G777-0121-E1 16		
Crankshaft Assembly Briggs and Stratton 31G777-0121-E1 17		

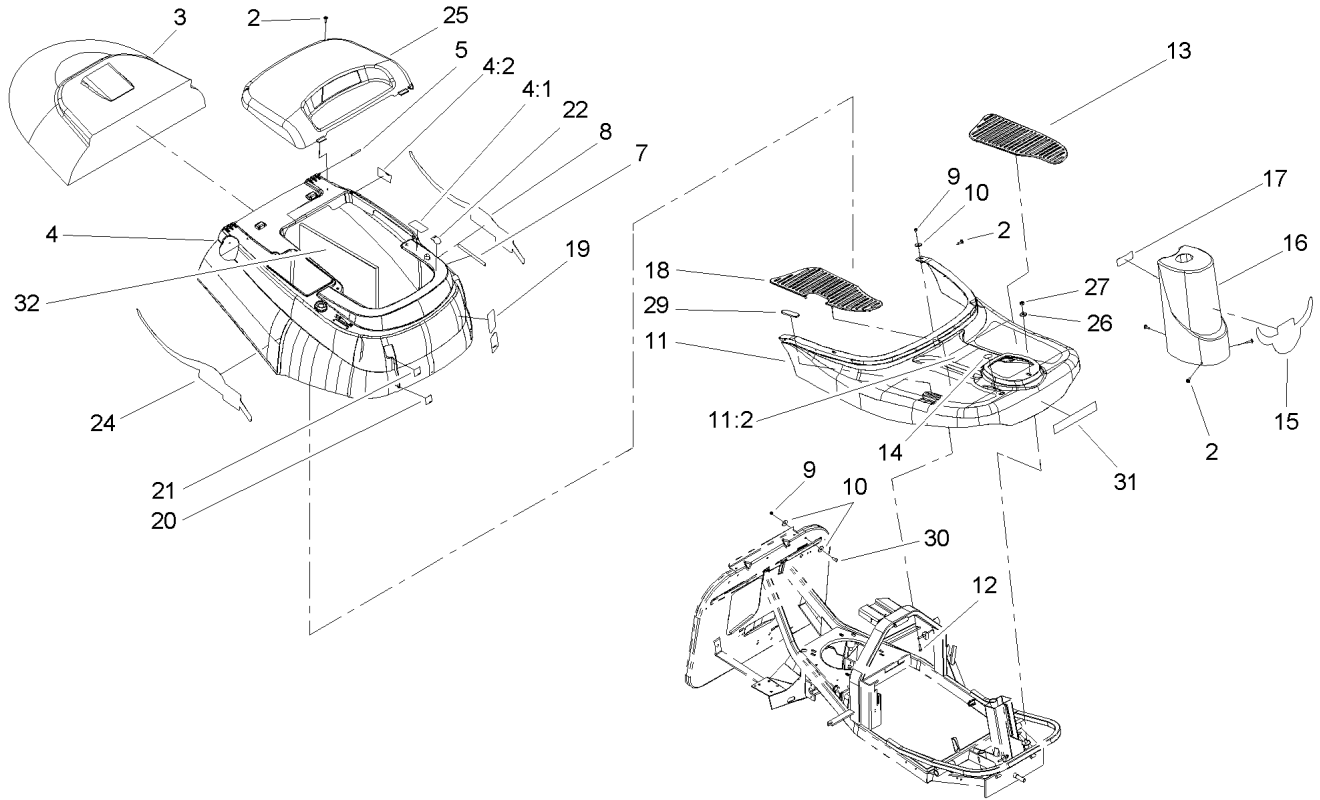
Part Description Abbreviations

Part descriptions in this catalog may include the following abbreviations.

AR. as required	INC. incorporated
ASM. assembly	LH. left hand
CARR. carriage	NI. nylon insert
DEG. degrees	PPH. phillips pan head
FH. flat head	PTH. phillips truss head
GA. gauge	PTO. power take off
HF. hex flange	RH. right hand
HH. hex head	SFH. slotted fillister head
HHF. hex head flange	SHH. slotted hex head
HHFTF. hex head flange thread forming	SHWH. slotted hex washer head
HJ. hex jam	SPH. slotted pan head
HLH. hex lag head	SQH. square head
HOC. height-of-cut	SRH. slotted round head
HS. hex	STD. standard
HSBH. hex socket button head	TAP. self tapping
HSFH. hex socket flat head	TTH. torx truss head
HSH. hex socket head	WH. wing head
HWH. hex washer head	
HWHTF. hex washer head thread forming	
HYD. hydraulic	

Footnotes

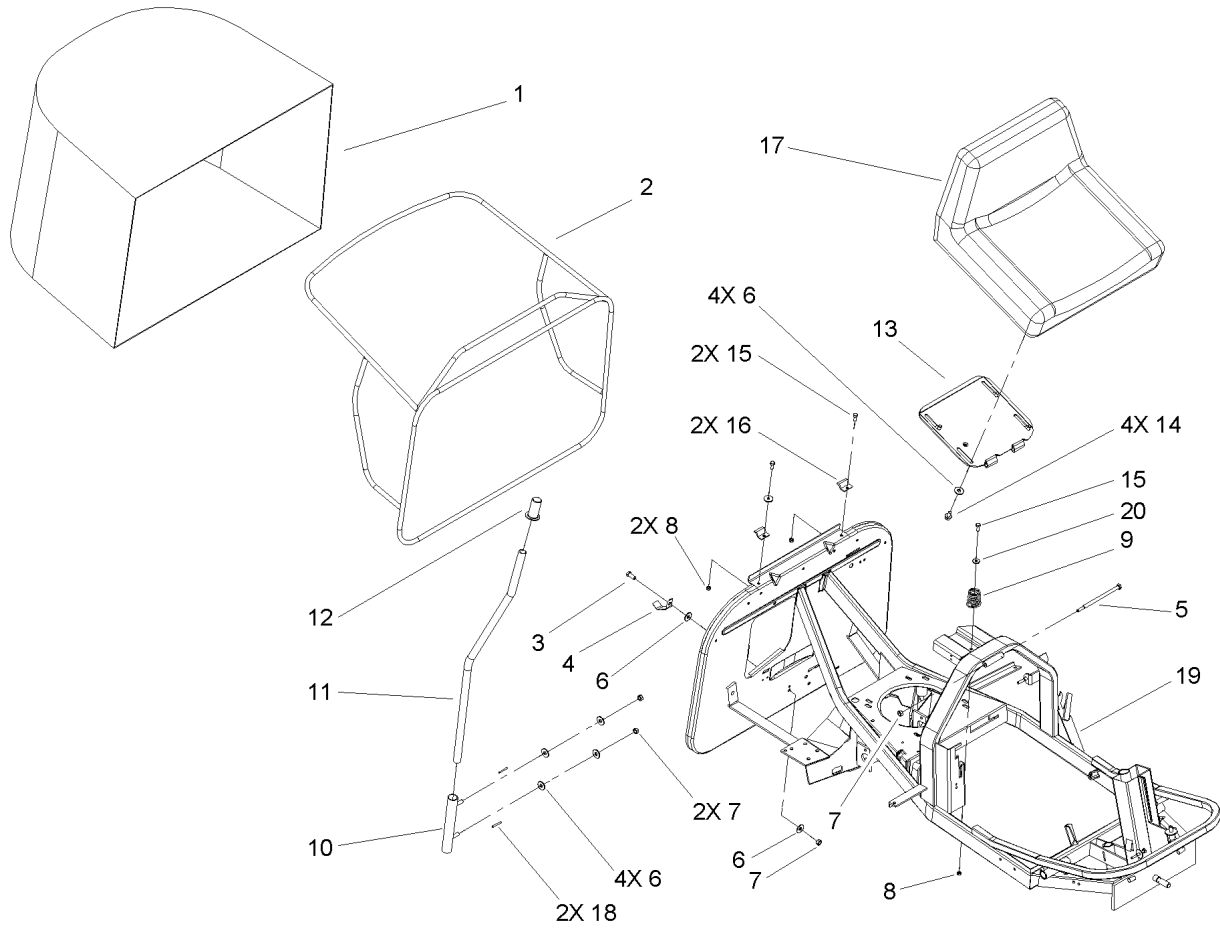
- | | |
|---|---|
| ❶ Not illustrated | ❷ Not serviced separately |
| ❸ Included in Engine Gasket Set-Ref. 358. | ❹ Included in Valve Gasket Set-Ref. 1095. |
| ❺ Included in Carburetor Overhaul Kit-Ref. 121. | ❻ Included in Carburetor Gasket Set-Ref. 977. |
| ❼ Obtain parts from local Peerless dealer. | ❼ Obtain parts from your local Briggs & Stratton dealer |
| ❽ Included in Decal Kit 106-2887 | |



Body and Decal Assembly

Ref	Part No.	Qty.	Description
2	106-2851	11	Screw-Hh, TAP
3	106-1810	1	Cover-Grass Bag
4	106-2885	1	Shroud And Decal ASM
294:1		1	Decal-Danger
294:2		1	Decal-Warning, Hot
5	106-2870	2	Pin-Dowel
297		1	Decal-Shift
8	106-6500	1	Decal-Left Side
9	49-7810	4	Nut-Lock
10	106-2853	5	Washer-Flat
11	106-2901	1	Foot Rest And Decals ASM
2911:2		1	Decal-Caution
12	33113-020	2	Screw-HH
13	106-2973	1	Floormat-LH
2914		1	Decal-Clutch
15	106-6517	1	Decal-Front
16	106-2906	1	Steering-Turret
2917		1	Decal-Run Lights
18	106-2972	1	Floormat-RH
2919		1	Decal-HOC
2920		1	Decal-Pto, Disengage
2921		1	Decal-Pto, Engage
2922		1	Decal-Switch
24	106-6501	1	Decal- Right Side

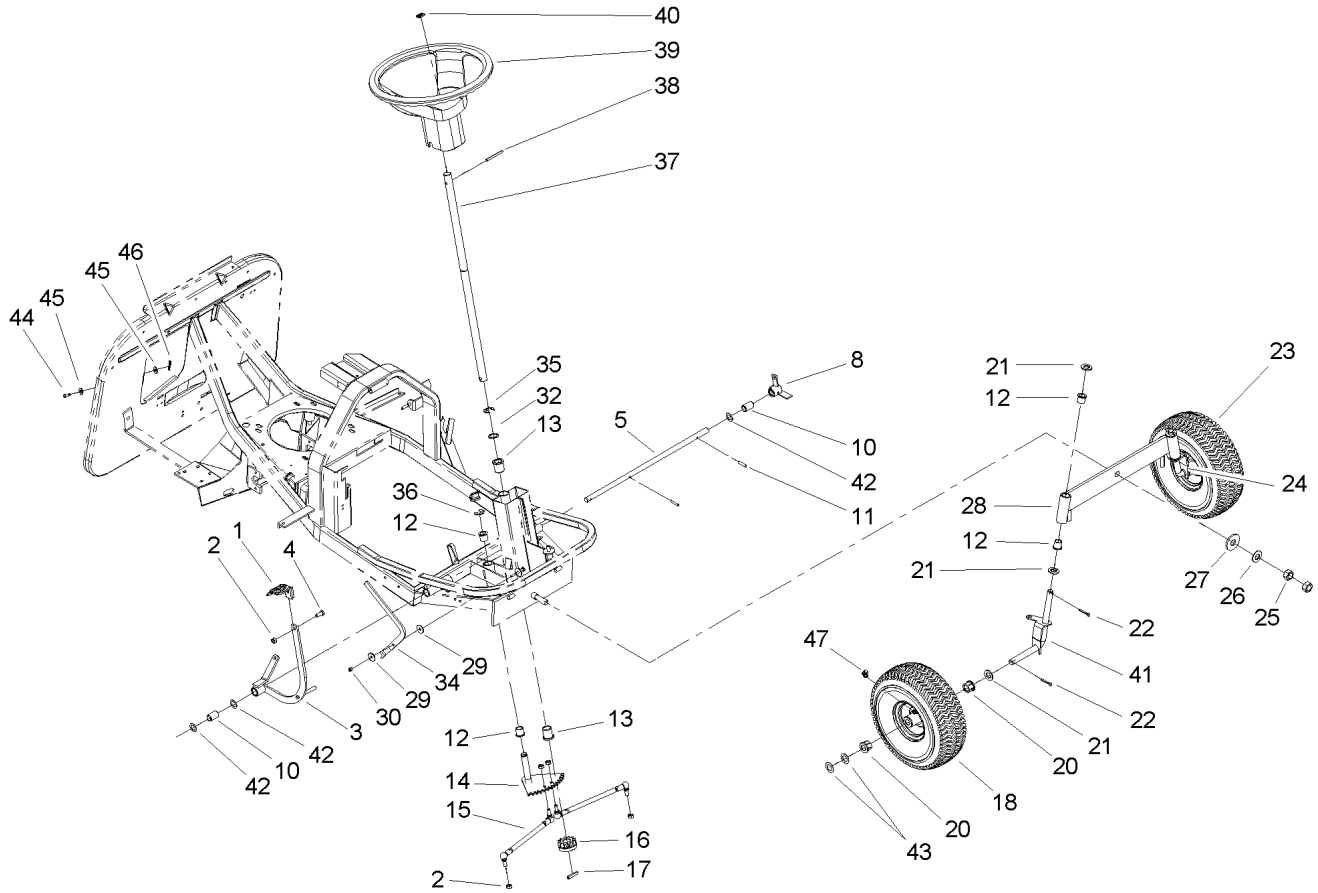
Ref	Part No.	Qty.	Description
25	106-2860	1	Cover-Engine
26	106-2854	1	Washer-Flat
27	46-0330	1	Nut-Lock
29	106-2987	1	Cover
30	33113-016	2	Screw-HH
31	106-6525	1	Decal
32	107-2228	1	Insulation, 200mm X 400mm
99	106-2887	1	Kit-Decals



Seat and Rear Bag Assembly

Ref	Part No.	Qty.	Description
1	106-2867	1	Bag-Grass
2	106-2924	1	Frame-Bag
3	33114-020	1	Screw-HH
4	106-2969	1	Hook-Bag
5	106-1844	1	Screw-HH
6	106-2854	10	Washer-Flat
7	46-0330	4	Nut-Lock
8	49-7810	3	Nut-Lock
9	106-2945	1	Spring-Compression
10	106-2927	1	Support
11	106-2928	1	Lever
12	106-2903	1	Knob
13	106-2944	1	Plate-Seat
14	33104-016	4	Screw-HHF
15	33113-016	3	Screw-HH
16	106-2929	2	Clip
17	106-2857	1	Seat
18	106-2871	2	Pin-Spring
19	107-2238	1	Frame
20	106-2865	3	Washer-Flat

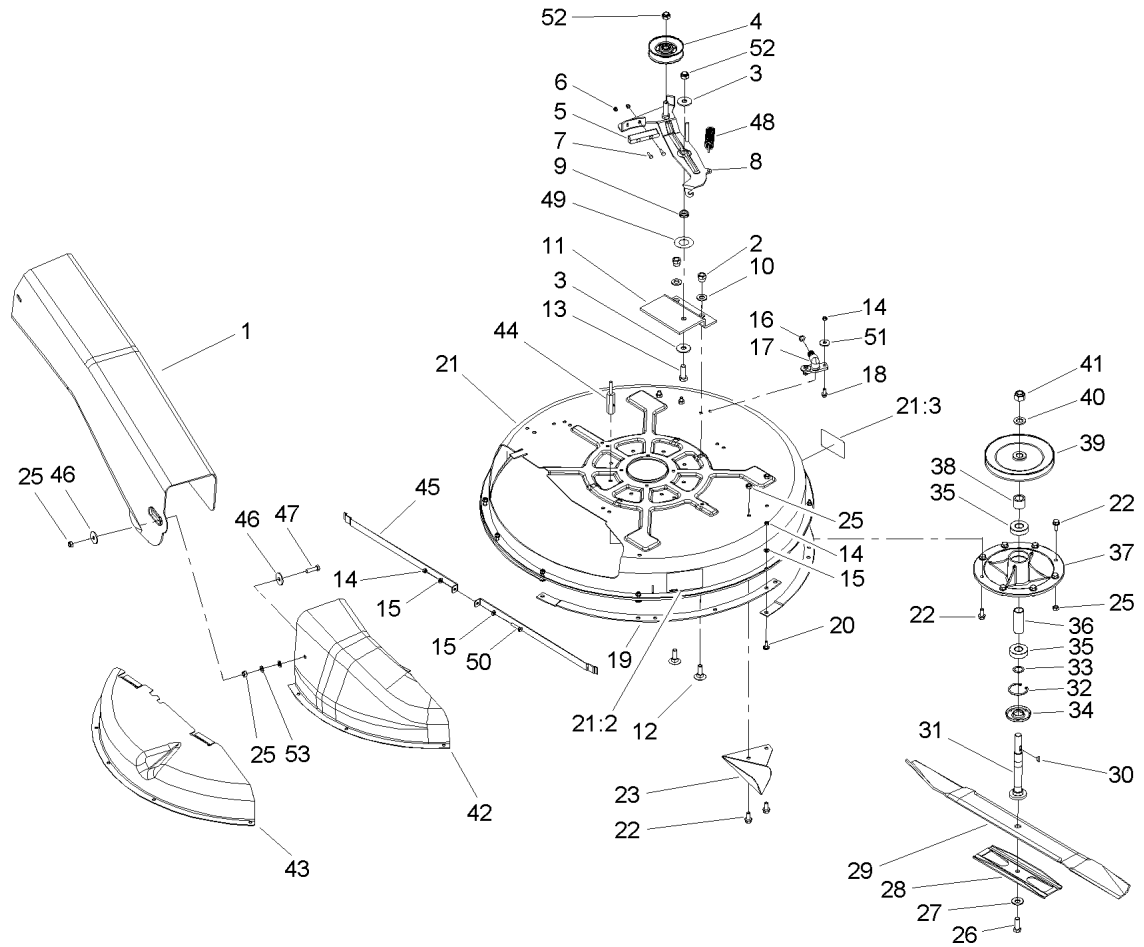
--	--	--	--



Front Axle and Steering Assembly

Ref	Part No.	Qty.	Description
1	106-2957	1	Pedal-Brake
2	46-0330	5	Nut-Lock
3	106-2965	1	Lever-Brake
4	33114-020	1	Screw-HH
5	106-2985	1	Shaft
8	106-2978	1	Bushing
10	106-2962	2	Bushing
11	106-2874	2	Pin-Dowel
12	106-1811	6	Bushing
13	106-2873	2	Bushing
14	106-2868	1	Rack-Steering
15	106-2933	2	Rod-Tie
16	106-2878	1	Gear-Steering
17	106-1845	1	Pin-Spiral
18	106-2951	2	Wheel
20	106-6508	4	Bushing
21	33098-00	4	Washer-Flat
22	3272-21	4	Pin-Cotter
23	106-2907	2	Tire
24	106-2953	1	Axle-Wheel, LH
25	33018-00	2	Nut-Hex
26	106-2926	1	Washer-Bell
27	106-2925	1	Washer-Flat
28	106-2864	1	Axle-Front

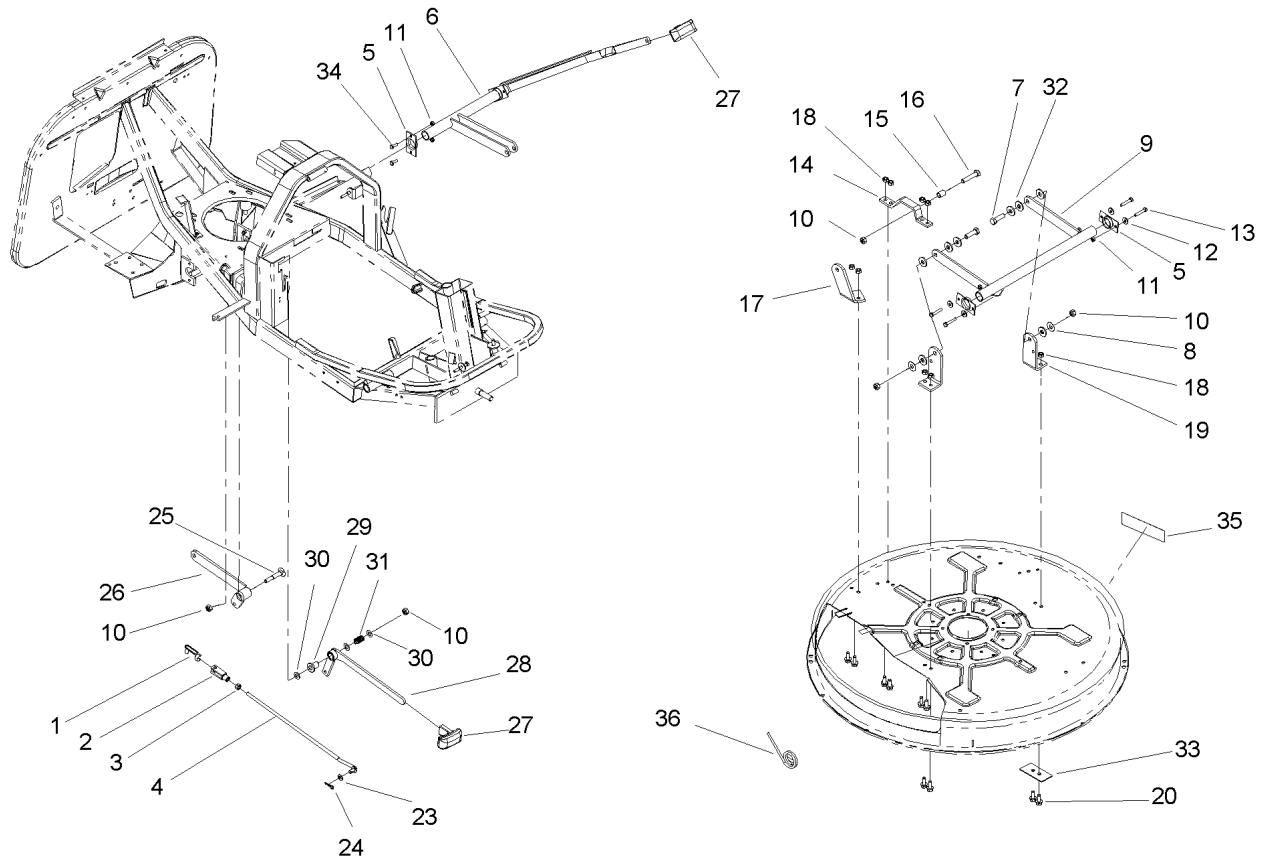
Ref	Part No.	Qty.	Description
29	106-2853	2	Washer-Flat
30	49-7810	1	Nut-Lock
32	106-1807	1	Spacer
34	106-2961	1	Lever
35	106-2909	1	Ring-Retaining, Ext
36	106-2908	1	Ring-Retaining, Ext
37	106-2872	1	Shaft-Steering
38	106-1846	1	Pin-Roll
39	106-2883	1	Wheel-Steering
40	98-1459	1	Decal
41	106-2952	1	Axle-Wheel, RH
42	106-1835	3	Spacer
43	106-6544	4	Washer
44	106-6543	1	Pin-Grooved
45	106-2865	2	Washer-Flat
46	106-2879	1	Pin-Hair
47	106-6546	2	Zerk-Grease 90 DEG



Deck and Spindle Assembly

Ref	Part No.	Qty.	Description
1	106-2970	1	Tube-Discharge
2	46-0090	2	Nut-Lock
3	106-2922	2	Washer-Flat
4	106-1813	1	Pulley-Idler
5	106-1814	1	Brake-Rubber
6	46-0410	2	Nut-Lock
7	60-6910	2	Screw
8	106-2889	1	Brake ASM
9	106-2892	1	Bushing
10	33096-00	2	Washer-Flat
11	106-2884	1	Bracket-Deck
12	33126-035	2	Screw-CARR
13	33116-035	1	Screw-HH
14	49-7810	11	Nut-Lock
15	33093-00	10	Washer-Flat
16	106-1847	1	O-Ring
17	95-2747	1	Fitting-Washout
18	33103-016	2	Screw-HHF
19	80-4490	4	Ring- Deck
20	106-6510	8	Screw-Sh
21	106-6545	1	Deck ASM
21:2	106-2940	1	Decal-Caution
21:3	106-2943	1	Decal-Discharge Cover
22	33104-020	13	Screw-HHF

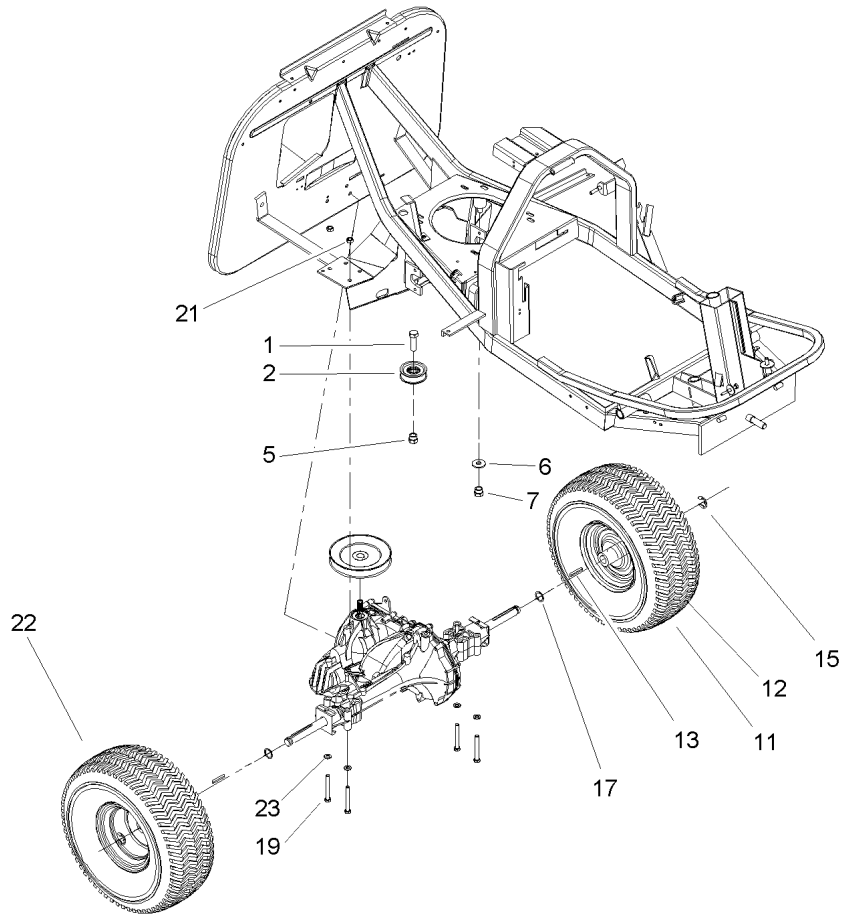
Ref	Part No.	Qty.	Description
23	80-2630	2	Kicker
25	46-0330	13	Nut-Lock
26	3212-5	1	Screw-HH
27	106-2858	1	Washer-Bell
28	80-4570	1	Stiffener
29	106-6547	1	Blade-Recycler
30	106-1805	1	Key
31	106-2902	1	Shaft-Spindle
32	106-2910	1	Ring-Snap
33	106-1807	1	Spacer
34	80-4370	1	Shield-Bearing
35	251-297	2	Bearing
36	106-2888	1	Spacer
37	56-7030	1	Spindle
38	106-1842	1	Spacer
39	106-1812	1	Pulley
40	33098-00	1	Washer-Flat
41	106-2914	1	Nut-Hex
42	106-2898	1	Tunnel-Discharge
43	106-2899	1	Cover-Recycler
44	106-2897	1	Guide-Belt
45	106-6542	2	Strap-Deck
46	106-2855	2	Washer-Flat
47	33114-030	1	Screw-HH



Deck Suspension Assembly

Ref	Part No.	Qty.	Description
1	106-1809	1	Retainer-Yoke
2	106-1803	1	Yoke
3	33014-00	1	Nut-Hex
4	106-2937	1	Rod-Tie
5	106-2880	3	Bracket-Support
6	107-8942	1	Lever,lift
7	33115-035	3	Screw-HH
8	106-6511	6	Washer-Flat
9	106-1829	1	Hanger Deck ASM
10	33025-00	6	Nut-Lock
11	49-7810	8	Nut-Lock
12	106-2865	4	Washer-Flat
13	33113-035	4	Screw-HH
14	106-2895	1	Bracket-Deck
15	106-2912	1	Bushing
16	33115-050	1	Screw-HH
17	106-2894	1	Bracket-Deck
18	46-0330	6	Nut-Lock
19	106-2896	2	Bracket-Deck
20	33104-020	6	Screw-HHF
23	33094-00	1	Washer-Flat
24	106-2879	1	Pin-Hair
25	106-2882	1	Screw-CARR
26	106-1830	1	Hanger Deck ASM

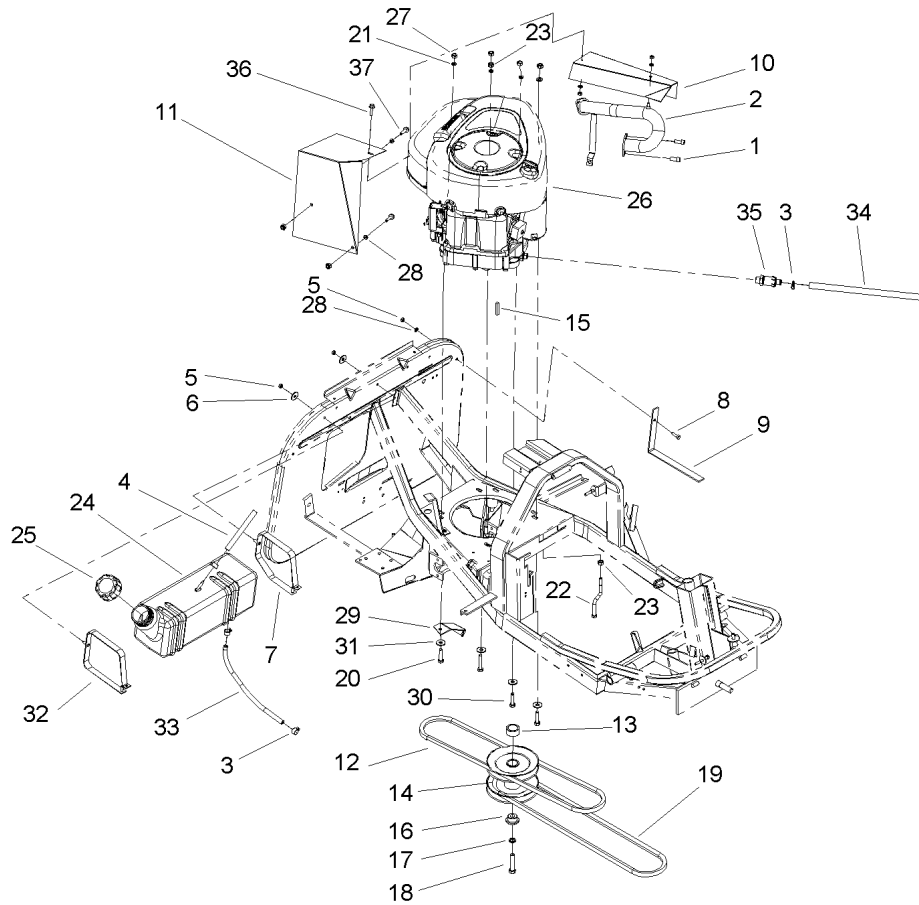
Ref	Part No.	Qty.	Description
27	106-2967	2	Handle
28	106-2954	1	Lever-Blade, Clutch
29	106-2955	1	Bushing
30	106-2869	3	Shim
31	106-2950	1	Spring-Compression
32	106-1806	9	Washer
33	106-6512	1	Plate
34	33113-016	4	Screw-HH
35	106-6406	1	Decal-Recycler
36	107-2229	1	Spring, Deck Lif T



Rear Wheel and Transmission Assembly

Ref	Part No.	Qty.	Description
1	33116-035	1	Screw-HH
2	106-2877	1	Pulley ASM
5	106-6513	1	Nut-Lock
6	106-2921	1	Washer-Flat
7	33025-00	1	Nut-Lock
11	106-2948	1	Wheel-LH
12	106-2913	2	Tire
13	106-2994	2	Key-Square
15	106-2909	2	Ring-Retaining, Ext
17	106-2992	2	Washer-Flat
19	33114-060	4	Screw-HH
21	46-0330	4	Nut-Lock
22	106-2947	1	Wheel-RH
23	33094-00	4	Washer-Flat

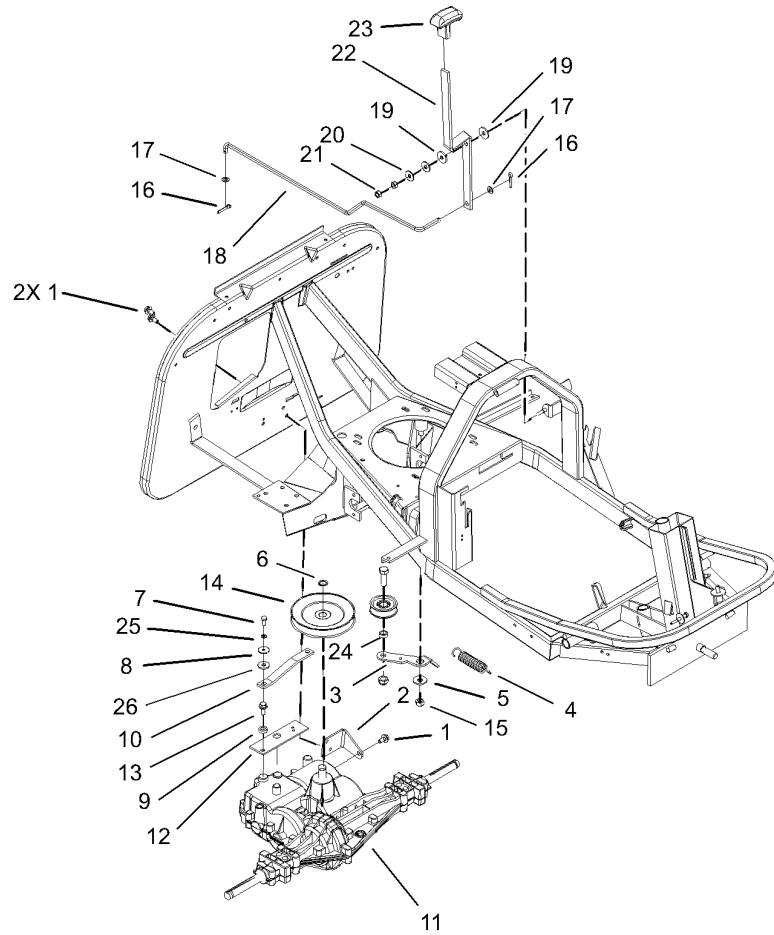
--	--	--	--



Engine and Fuel Tank Assembly

Ref	Part No.	Qty.	Description
1	3274-10	2	Screw-HSH
2	107-2233	1	Pipe-Exhaust
3	107-2210	4	Clamp, Tube
4	106-2990	1	Hose-Fuel
5	49-7810	8	Nut-Lock
6	106-2853	2	Washer-Flat
7	106-6541	1	Strap-Fuel Tank, Left
8	33113-020	1	Screw-HH
9	106-1828	1	Guard-Muffler
10	107-2235	1	Shield, Exhaust Pipe
11	107-2234	1	Shield, Muffler Rear
12	106-2905	1	Belt
13	106-1836	1	Spacer
14	106-2915	1	Pulley
15	67-7490	1	Key-Square
16	106-1837	1	Spacer
17	106-2856	1	Washer-Lock
18	3212-8	1	Screw-HH
19	106-1826	1	Belt-Deck
20	33114-035	3	Screw-HH
21	33094-00	4	Washer-Flat
22	106-2974	2	Guide-Belt
23	33014-00	2	Nut-Hex
24	106-6537	1	Tank-Fuel

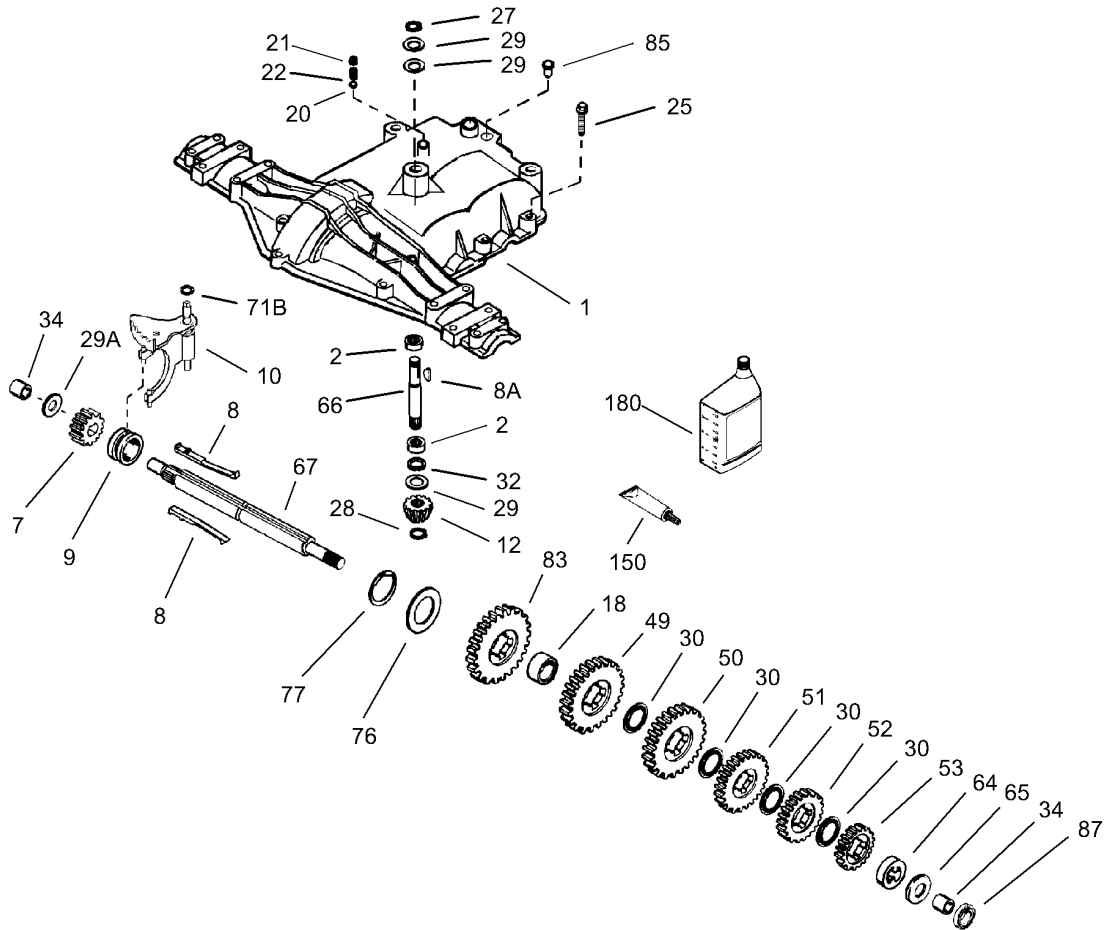
Ref	Part No.	Qty.	Description
25	55-3576	1	Gas Cap ASM
26		1	Engine,
27	46-0330	4	Nut-Lock
28	33093-00	3	Washer-Flat
29	107-2239	1	Bracket, Drive Belt
30	33114-045	1	Screw-HH
31	106-2854	4	Washer-Flat
32	106-6540	1	Strap-Fuel Tank, Rt
33	107-1555	1	Hose-Fuel
34	107-2241	1	Tube-Drain, Oil
35	92-6877	1	Valve-Drain, Oil
36	33103-025	1	Screw-HHF
37	33103-030	2	Screw-HHF



Gear Transmission and Linkage Assembly

Ref	Part No.	Qty.	Description
1	106-6516	3	Screw-HHF TAP
2	106-2979	1	Bracket
3	106-2938	1	Bracket-Idler
4	106-2936	1	Spring-Extension
5	106-2921	1	Washer-Flat
6	106-2862	1	Ring-External
7	321-3	1	Screw-HH
8	106-2853	1	Washer-Flat
9	106-2999	1	Spacer
10	106-2976	1	Bracket
11	106-2876	1	Differential-Gear
12	106-2931	1	Plate
13	33104-020	1	Screw-HHF
14	106-2932	1	Pulley
15	33025-00	1	Nut-Lock
16	3272-21	2	Pin-Cotter
17	33094-00	2	Washer-Flat
18	106-2977	1	Link
19	106-2975	2	Washer
20	106-2854	2	Washer-Flat
21	33014-00	2	Nut-Hex
22	106-2935	1	Lever-Clutch
23	106-2967	1	Handle
24	106-2986	1	Spacer

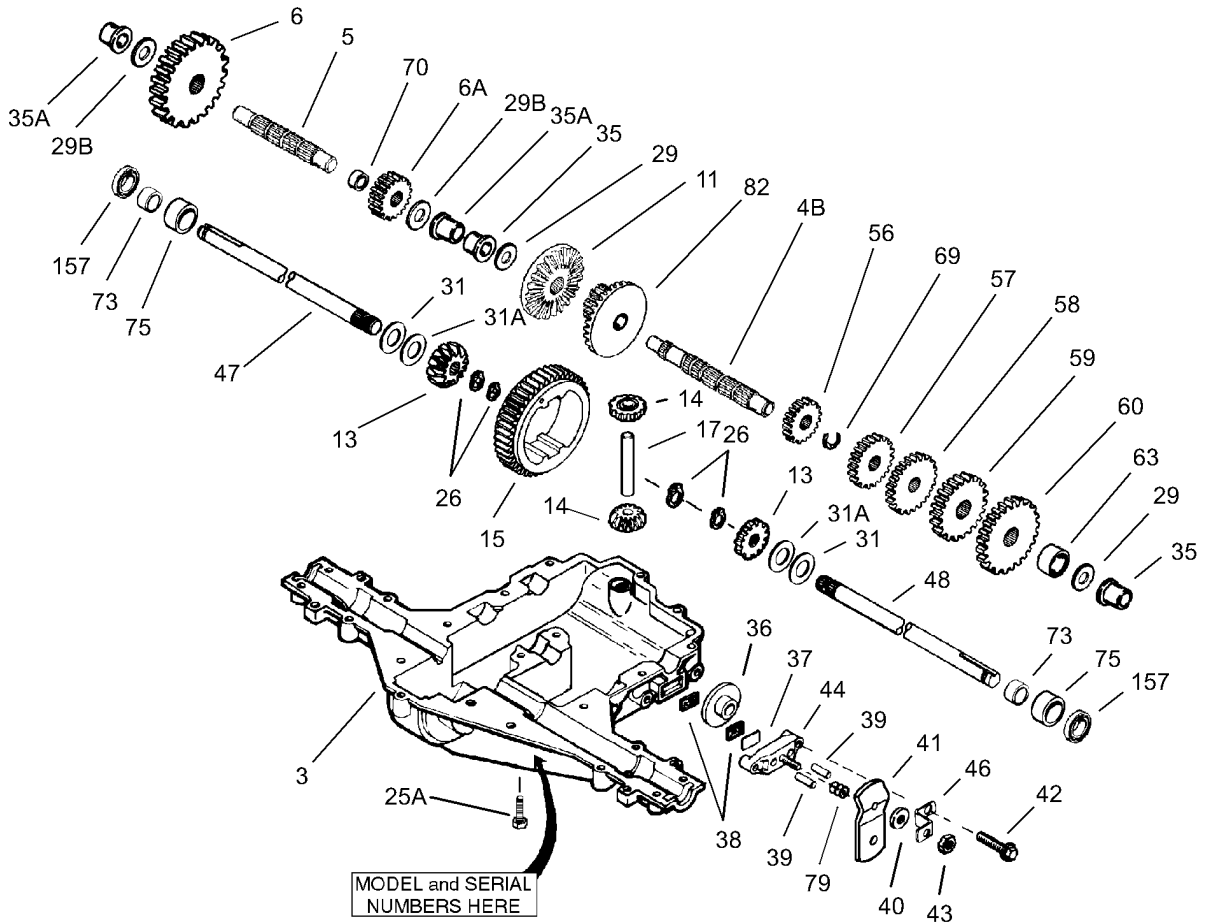
Ref	Part No.	Qty.	Description
25	106-6506	1	Washer-Lock/sp
26	106-6514	1	Washer-Flat



Cover Assembly Peerless No. MST205-542D

Ref	Part No.	Qty.	Description
1	772147	1	Transaxle Cover
2	780086A	2	Bearing-Needle
7	778330	1	Spur Gear (11 Teeth-Steel)
8	792180	2	Key-Shift (820-024a Only)
8A	792047	1	Kev. Woodruff
9	784352	1	Shift Collar
10	784378	1	Shift Rod & Fork
12	778309	1	Input Bevel Pinion (13 Teeth)
18	786102	1	Spacer
20	792077A	1	Ball-Steel
21	792211	1	Cap Screw 3/8-16 X 3/8"
22	792079	1	Spring
25	792073A	17	Screw
27	792035	1	Ring, Snap
28	788040	1	Ring-Retainer
29	780072	5	Washer
29A	780160	1	Washer
30	780108	4	Washer
32	788083	1	Oil Seal
34	780194	2	Bushing
49	778336	1	Spur Gear (30 Teeth)
50	778338	1	Spur Gear (27 Teeth)
51	778342	1	Spur Gear (22 Teeth)
52	778352	1	Spur Gear (19 Teeth)

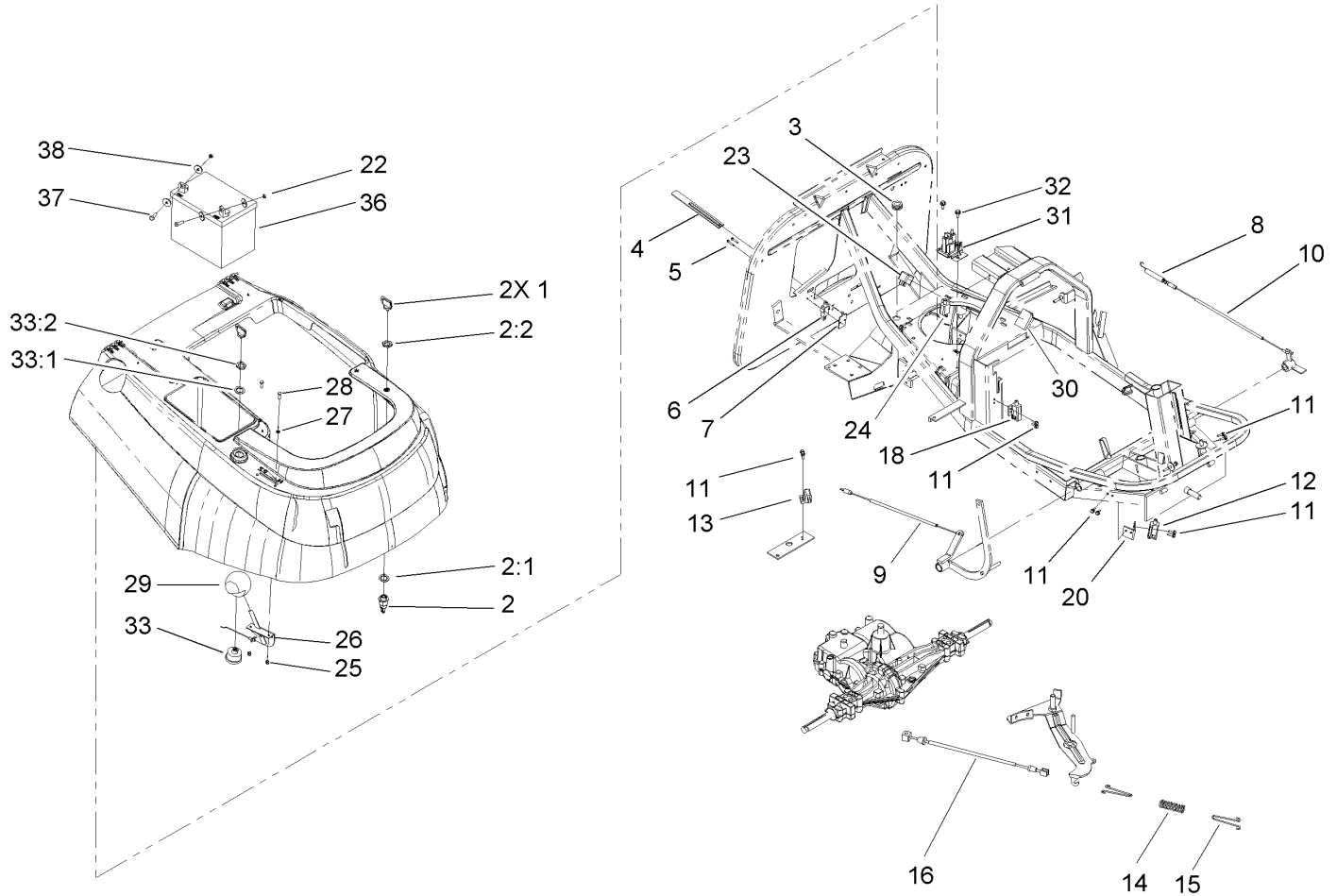
Ref	Part No.	Qty.	Description
53	778346	1	Spur Gear (15 Teeth-Steel)
64	786072	1	Spacer
65	780189	1	Washer
66	776422	1	Input Shaft
67	776396	1	Shifter & Brake Shaft
71B	788092	1	"o" Ring
76	780090	1	Washer
77	788078A	1	Inverted Retaining Ring
83	778338	1	Spur Gear (27 Teeth)
85	792154	1	Pipe Plug
87	788089A	1	Oil Seal 9/16"
150	788093A	1	Liquid Gasket Rtv Silicone
180	730229A	1	Gear Oil



Case Assembly Peerless No. MST-542D

Ref	Part No.	Qty.	Description
3	770128	1	Transaxle Case
4B	776406	1	Countershaft
5	776409	1	Output Shaft
6	778364	1	Spur Gear (38 Teeth)
6A	778369	1	Spur Gear (15 Teeth)
11	778334	1	Bevel Gear (30 Teeth)
13	778368	2	Bevel Gear (13 Teeth)(Incl. 14)
14	778368	2	Bevel Pinion (13 Teeth)(Incl. 13)
15	778370	1	Ring Gear (43 Teeth)
17	786188	1	Drive Pin
25A	792177	2	Screw 1/4-20 X 1-3/8"
26	792125	4	Retaining Ring (Pkg Of 2)
29	780072	5	Washer
29B	780051	2	Washer
31	780001	2	Washer
31A	780195	2	Flat Washer (.062 Wide)
35	780193	2	Flanged Bushing
35A	780197	2	Flanged Bushing
36	790075	1	Brake Disk
37	790007	1	Brake Pad Plate
38	799021	2	Pad-Brake 2/pkg
39	786026	2	Dowel Pin
40	792076A	1	Washer
41	790008A	1	Lever-Brake

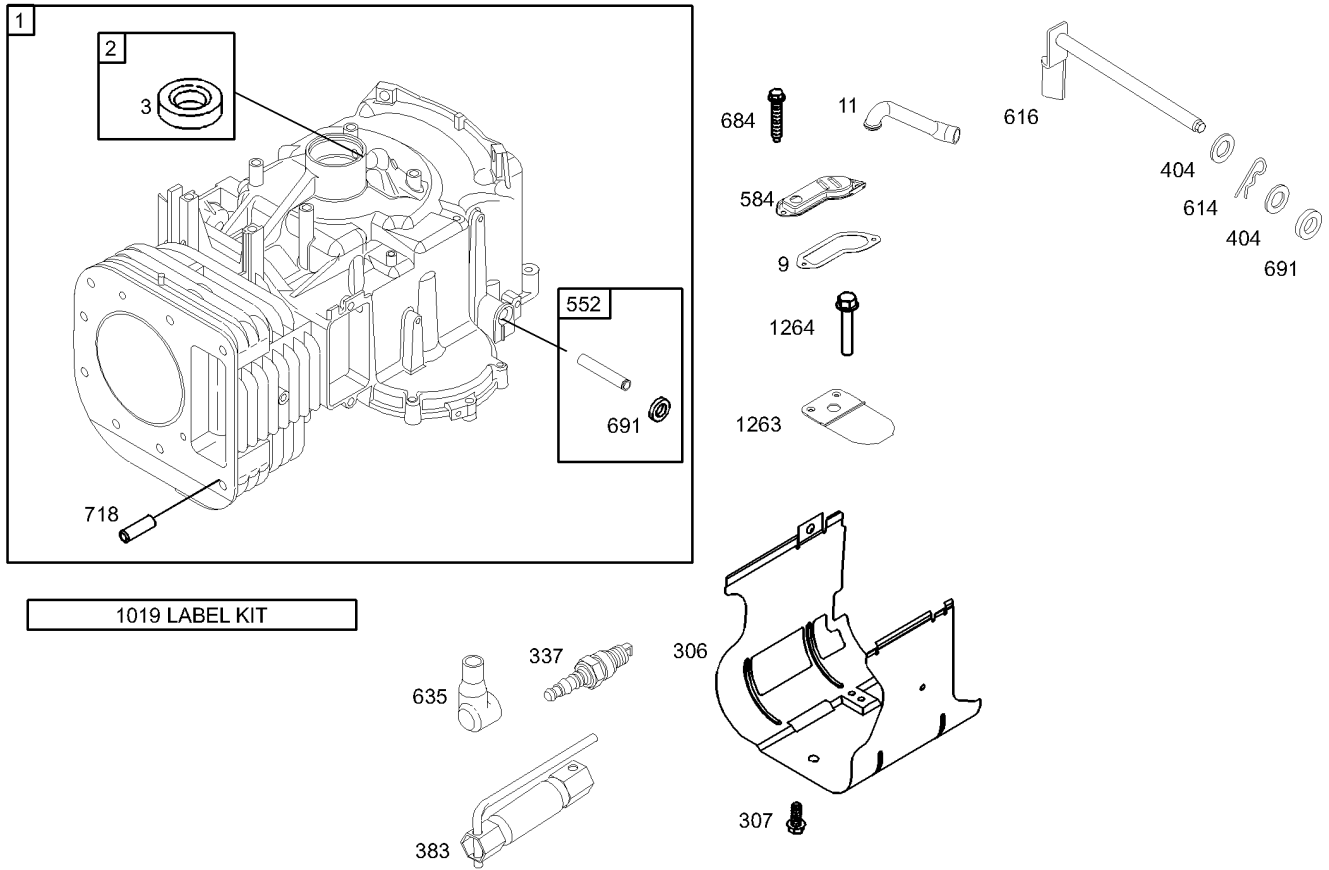
Ref	Part No.	Qty.	Description
42	792073A	2	Screw
43	792075	1	Locknut
44	790025	1	Nozzle-Carburetor
46	786086	1	Bracket
47	775000	1	Axle (11-3/8" Long)
48	774687	1	Axle (15-7/8" Long)
56	778335	1	Spur Gear (10 Teeth-Steel)
57	778337	1	Spur Gear (13 Teeth)
58	778341	1	Spur Gear (18 Teeth)
59	778351	1	Spur Gear (21 Teeth)
60	778345	1	Spur Gear (25 Teeth)
63	786071	1	Spacer
69	792170	1	Retaining Ring
70	786187	1	Spacer .890
73	780140	2	Bearing Needle
75	786084	2	Sleeve
79	792144	1	Spring
82	778363	1	Bevel And Spur Gear (30 And 13 Teeth)
157	788088A	2	Oil Seal 3/4"



Electrical and Cable Assembly

Ref	Part No.	Qty.	Description
1	63-8360	2	Key-Ignition
2	46-5780	1	Switch-Starter
2:1	3254-5	1	Washer-Tooth
2:2	218-461	1	Nut-HH
3	106-2863	1	Grommet
4	106-1831	1	Lever-Bag Fill
5	106-2850	2	Screw
6	106-1843	1	Switch
7	106-1827	1	Clamp-Bag Fill
8	106-2981	1	Spring-Extension
9	106-2983	1	Cable
10	106-2982	1	Cable
11	106-1849	16	Screw-HH TAP
12	65-7410	1	Switch-Pole, Single
13	106-2998	1	Switch
14	106-2917	1	Spring-Compression
15	106-2918	2	Hook-Spring
16	106-2956	1	Cable
18	86-4690	1	Switch-Interlock
20	106-1816	1	Bracket-Switch
22	33013-00	2	Nut-Hex
23	98-7249	1	Relay
24	65-7410	1	Switch-Pole, Single
25	46-0410	2	Nut-Lock

Ref	Part No.	Qty.	Description
26	106-2916	1	Throttle Cable ASM
27	52-6430	2	Washer
28	60-6910	2	Screw
29	106-2989	1	Knob
30	99-3700	1	Module
31	47-1910	1	Solenoid
32	106-2852	2	Screw-HHF TAP
33	88-9830	1	Key Switch ASM
33:1	3254-5	1	Washer-Tooth
33:2	218-461	1	Nut-HH
36	104-1755	1	Battery
37	33113-020	2	Screw-HH
38	106-2853	4	Washer-Flat
99	106-1848	1	Harness-Wire

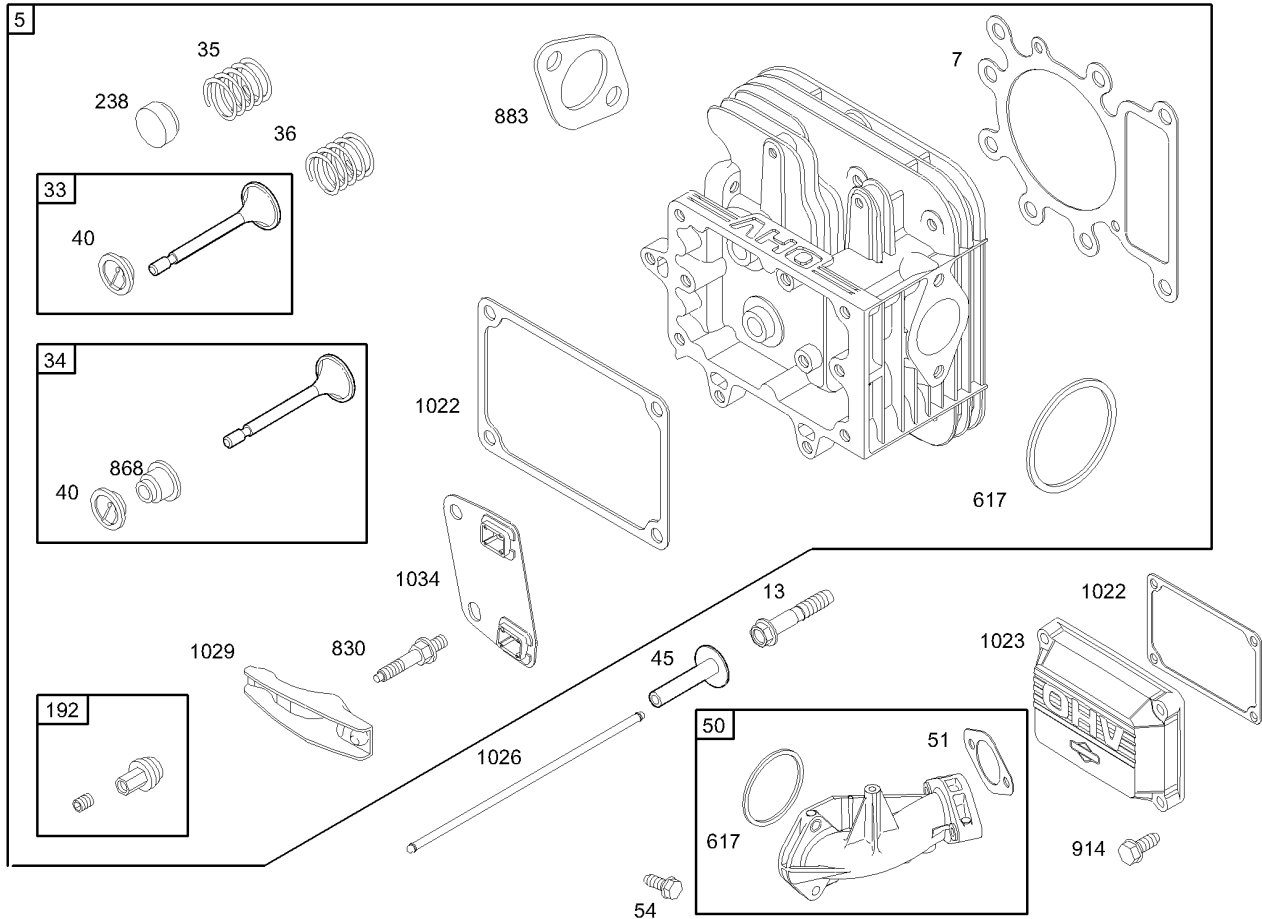


Assemblies include all parts shown in frames.

Cylinder Assembly Briggs and Stratton 31G777-0121-E1

Ref	Part No.	Qty.	Description
1	697174	1	Cylinder ASM
2	399265	1	Kit-bushing/seal, Magneto Side
3	391086	1	Seal-oil (Magneto Side)
9	697109	1	Gasket-breather
11	697113	1	Tube-breather
48	697762	1	Short Block ASM
306	697107	1	Shield-cylinder
307	691003	1	Screw-Flywheel Guard
337	691043	1	Spark Plug
383	89838	1	Wrench-plug, Spark
404	691691	1	Washer-Governor Crank
552	697144	1	Bushing-crank, Governor
584	697112	1	Cover-breather Passage
614	691620	1	Pin-cotter
616	692012	1	Crank-governor
635	691909	1	Boot-plug, Spark
684	697157	1	Screw-Breather Passage Cover
691	692407	1	Seal-governor Shaft
718	690959	1	Locating Pin
1019	697143	1	Kit-label
1263	697124	1	Reed-breather
1264	697104	1	Screw-Breather Reed

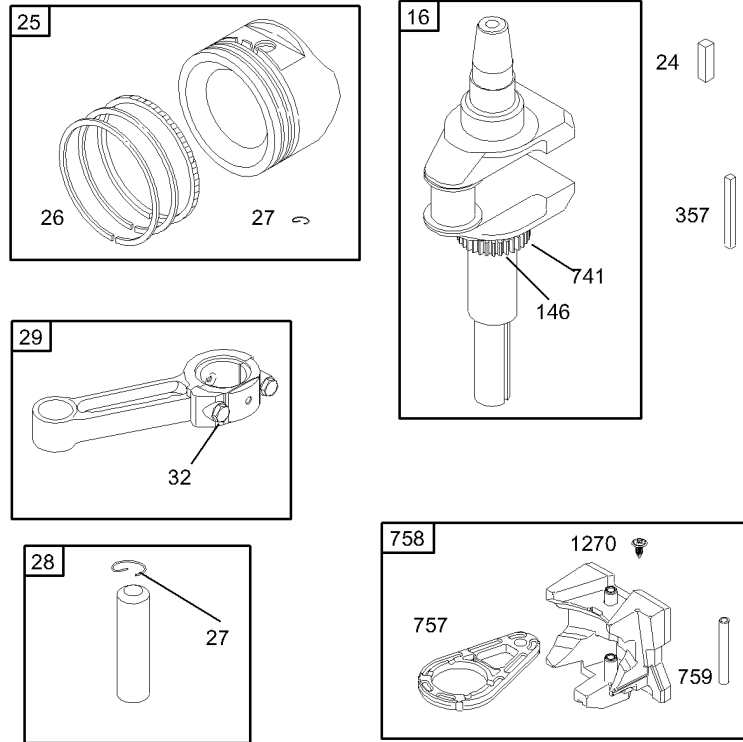
--	--	--	--



Cylinder Head Assembly Briggs and Stratton 31G777-0121-E1

Ref	Part No.	Qty.	Description
5	698147	1	Head-Cylinder
47	692410	1	Gasket-cylinder Head
13	690360	1	Screw-Cylinder Head Gasket
33	695760	1	Valve-exhaust
34	695761	1	Valve-intake
35	691279	1	Spring-valve, Intake
36	691279	1	Spring-valve, Intake
40	691752	1	Retainer-Valve
45	690564	1	Tappet-valve
50	690193	1	Manifold-intake
451	692137	1	Gasket-intake
54	691148	1	Screw-Intake Manifold
192	691986	1	Adjustor-arm, Rocker
238	691843	1	Cap-valve
617	692138	1	Seal-o Ring (Intake Manifold)
830	691095	1	Stud-rocker Arm
868	690968	1	Seal-valve
883	692236	1	Gasket-exhaust
914	690960	1	Screw (Blower Housing)
1022	272475	1	Gasket-rocker Cover
1023	692492	1	Cover-rocker

Ref	Part No.	Qty.	Description
1026	692003	1	Rod-push, Intake
5	692011	1	Rod-push, Exhaust
1029	691751	1	Arm-rocker
1034	690822	1	Guide-push Rod

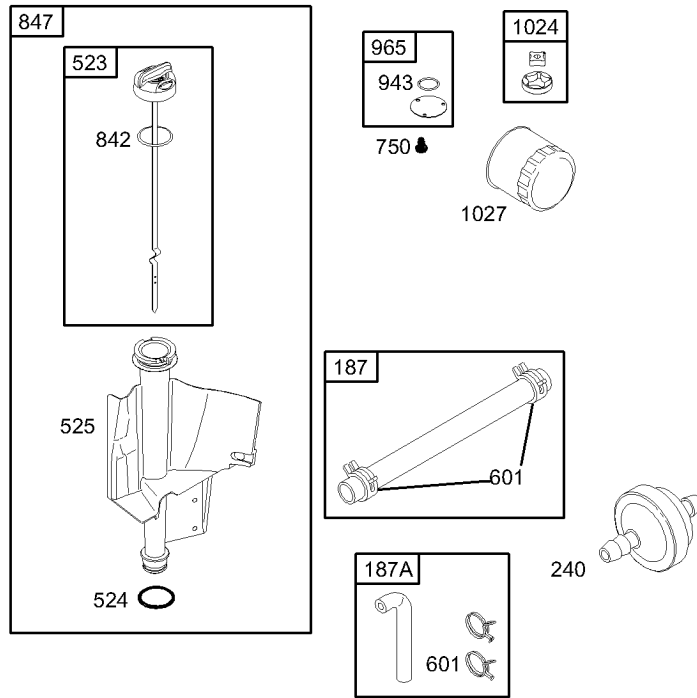


Assemblies include all parts shown in frames.

Crankshaft Assembly Briggs and Stratton 31G777-0121-E1

Ref	Part No.	Qty.	Description
16	697127	1	Crankshaft
24	222698	1	Flywheel Key
25	697159	1	Piston ASM (Standard)
25	697160	1	Piston ASM (.010" Oversize)
25	697162	1	Piston ASM (.020" Oversize)
25	697163	1	Piston ASM (.030" Oversize)
26	697164	1	Ring Set (Standard)
26	697165	1	Ring Set (.010" Oversize)
26	697171	1	Ring Set (.020" Oversize)
26	697172	1	Ring Set (.030" Oversize)
27	698469	1	Lock-piston Pin
28	697099	1	Pin-piston (Standard)
29	697126	1	Rod-connecting (Standard)
29	697263	1	Rod-Connecting (.020in Undersize)
32	692852	1	Screw (Connecting Rod)
146	691639	1	Key-timing
357	691483	1	Key-drive Pulley
741	697128	1	Gear-timing
757	697607	1	Link-counterweight
758	697134	1	Counterweight
759	697392	1	Pin-counterweight
1270	697156	1	Plug-counterweight, Avs

--	--	--	--

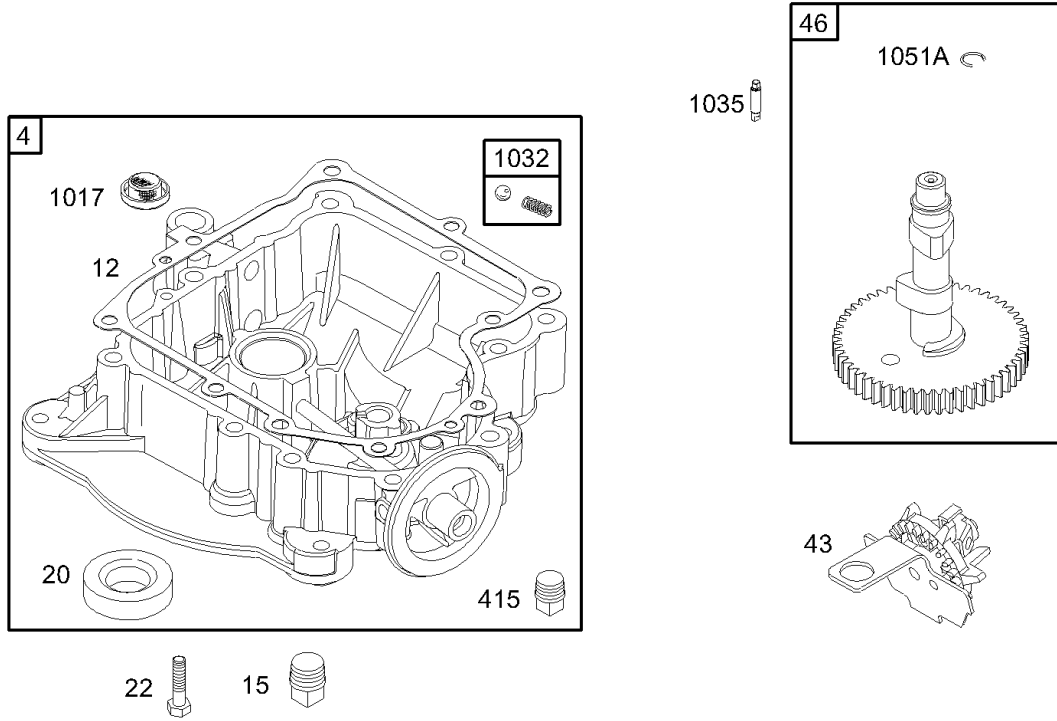


Assemblies include all parts shown in frames.

Oil Filter, Tube and Pump Assembly Briggs and Stratton 31G777-0121-E1

Ref	Part No.	Qty.	Description
③ 187	296004	1	Fuel-Hose
③ 187A	698820	1	Line-Fuel
③ 240	298090	1	Filter
③ 523	697086	1	Dipstick
③ ③ 524	691032	1	Seal-dipstick Tube
③ 525	697085	1	Tube-dipstick
③ 601	691038	1	Clamp-hose
③ 750	691033	1	Screw-Oil Pump Cover
③ ③ 842	691031	1	O Ring Seal (Dipstick Tube)
③ 847	697087	1	Dipstick/tube ASM
③ ③ 943	690589	1	Seal-o Ring (Oil Pump Cover)
③ 965	499613	1	Cover-pump, Oil
③ 1024	499054	1	Pump-oil
③ 1027	492932	1	Filter-oil

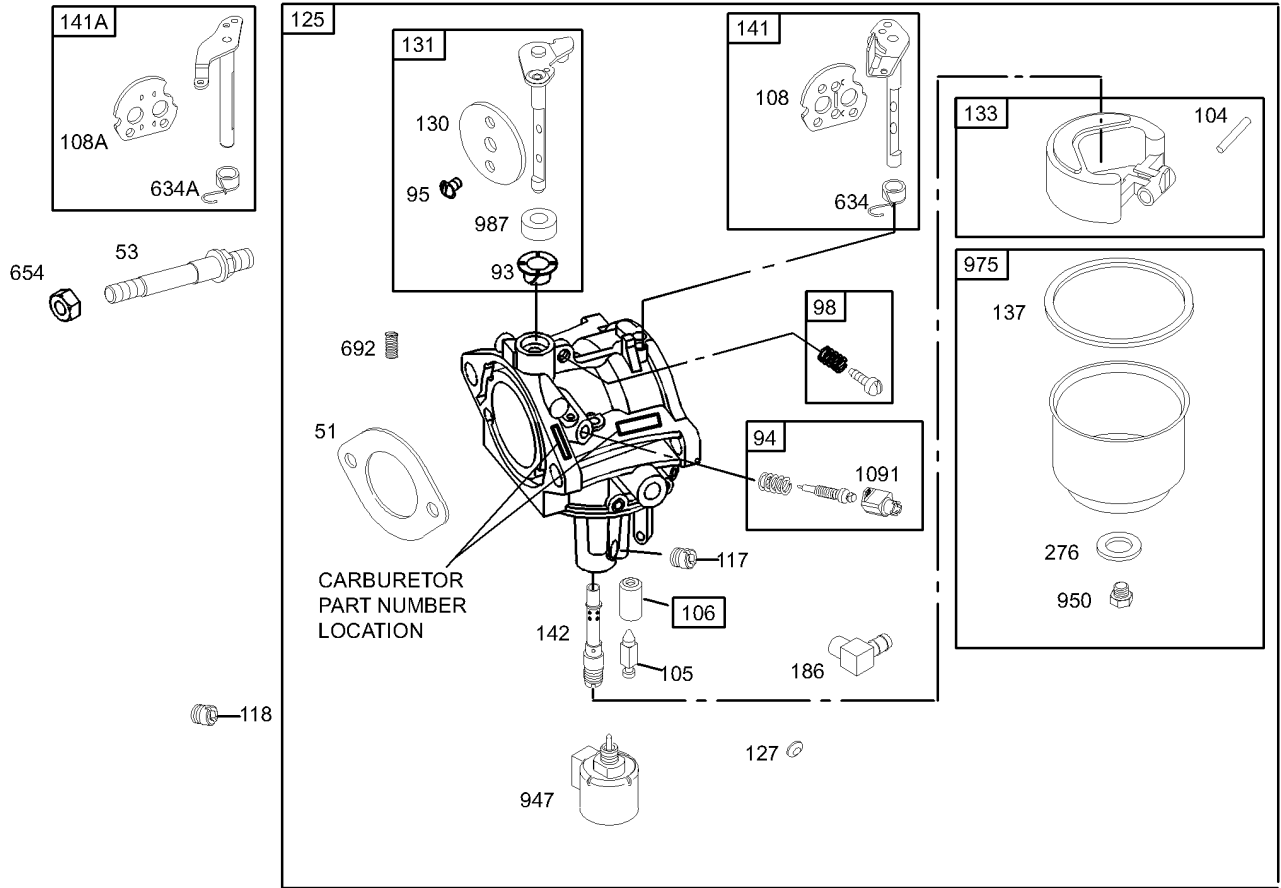
--	--	--	--



Assemblies include all parts shown in frames.

Crankcase Assembly Briggs and Stratton 31G777-0121-E1

Ref	Part No.	Qty.	Description
④	697188	1	Sump-engine
①②	697110	1	Gasket-crankcase
③	690946	1	Plug-drain, Oil
①②	690947	1	Seal-oil (Pto Side)
④	692125	1	Screw-Engine Sump
④	691968	1	Governor/oil Slinger
④	698492	1	Camshaft
④	690283	1	Plug-oil
④	690770	1	Screen-Oil Pump
④	491710	1	Ball-pump, Oil
④	693784	1	Shaft-pump
④	698802	1	Ring-Retaining

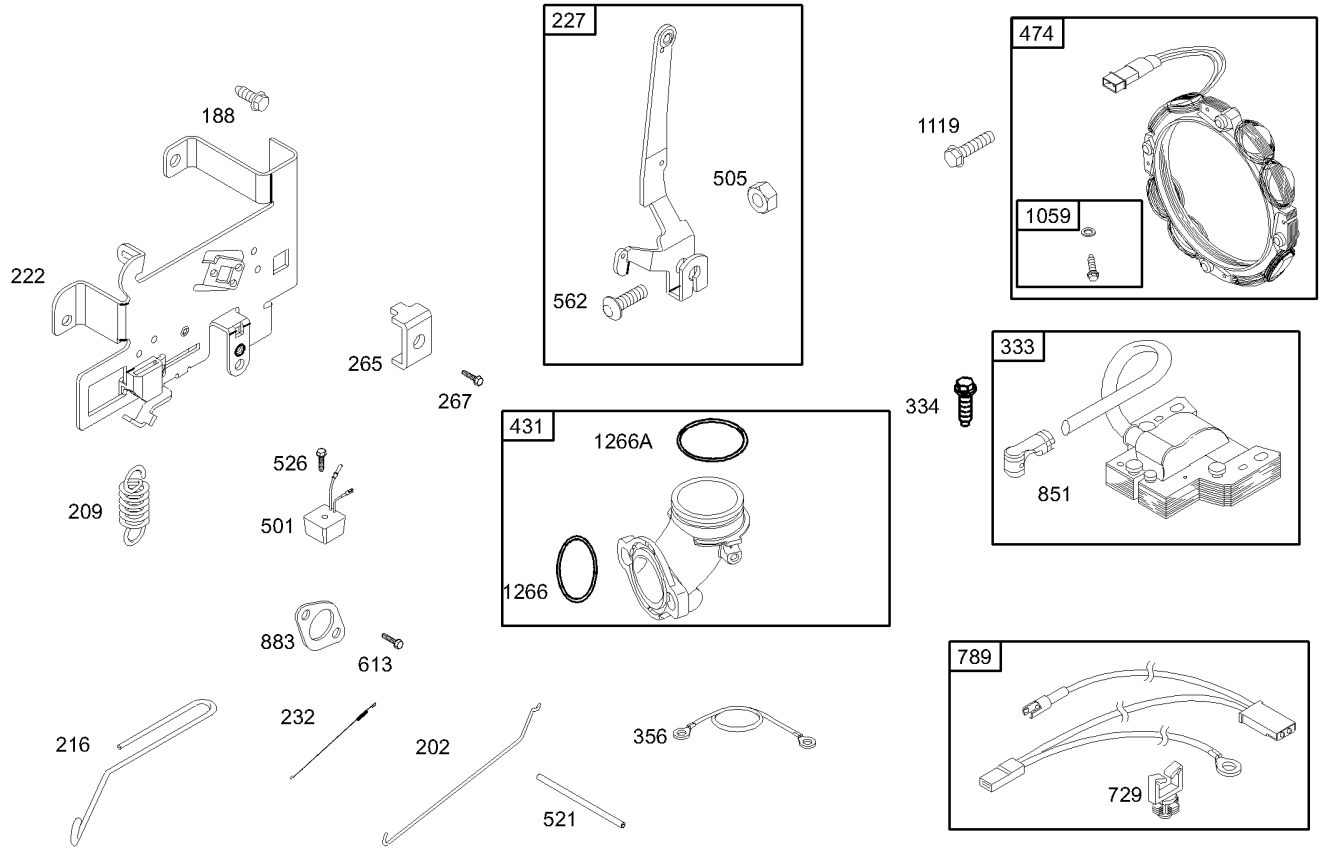


Assemblies include all parts shown in frames.

Carburetor Assembly Briggs and Stratton 31G777-0121-E1

Ref	Part No.	Qty.	Description
⑤④⑤①	692137	1	Gasket-intake
⑤③			
⑤③	690227	1	Stud-Carburetor
⑤③	690602	1	Bushing-shaft, Throttle
⑤③	498030	1	Kit-idle Mixture
⑤③	691636	1	Screw (Throttle Valve)
⑤③	495800	1	Kit-speed, Idle
⑤③	690525	1	Pin-hinge, Float
⑤③	231855	1	Valve-needle, Float
⑤③	690577	1	Seat-inlet
⑤③	690464	1	Valve-choke (Manual Choke)
⑤③	692344	1	Valve-choke (Lmt 696179, 696181, 697202, 697203)
⑤③	694352	1	Jet-main (Standard)
⑤③	697228	1	Jet-main (High Altitude)
⑤③	697190	1	Carburetor
⑤③	695005	1	Plug-welch
⑤③	691750	1	Valve-throttle
⑤③	494379	1	Kit-Throttle Shaft
⑤③	494381	1	Float-carburetor
⑤⑥	281165	1	Gasket-float Bowl
⑤③			
⑤③	495097	1	Kit-choke Shaft
⑤③	495931	1	Kit-choke Shaft (Lmt 696179, 696181, 697202, 697203)

Ref	Part No.	Qty.	Description
⑤③	697140	1	Nozzle-carburetor
⑤③	698174	1	Connector-hose
⑤⑥	692255	1	Washer-sealing
⑤③			
⑤③	690801	1	Spring / Seal ASM
⑤③	690802	1	Spring / Seal Assembly
⑤③	690958	1	Nut-Carburetor
⑤③	690572	1	Detent Spring
⑤③	694393	1	Solenoid-fuel
⑤③	691657	1	Screw-Float Bowl
⑤③	494768	1	Valve-Fuel Shut Off
⑤③	495933	1	Bowl-float
⑤③	691326	1	Seal-shaft, Throttle
⑤③	691333	1	Cap-limiter

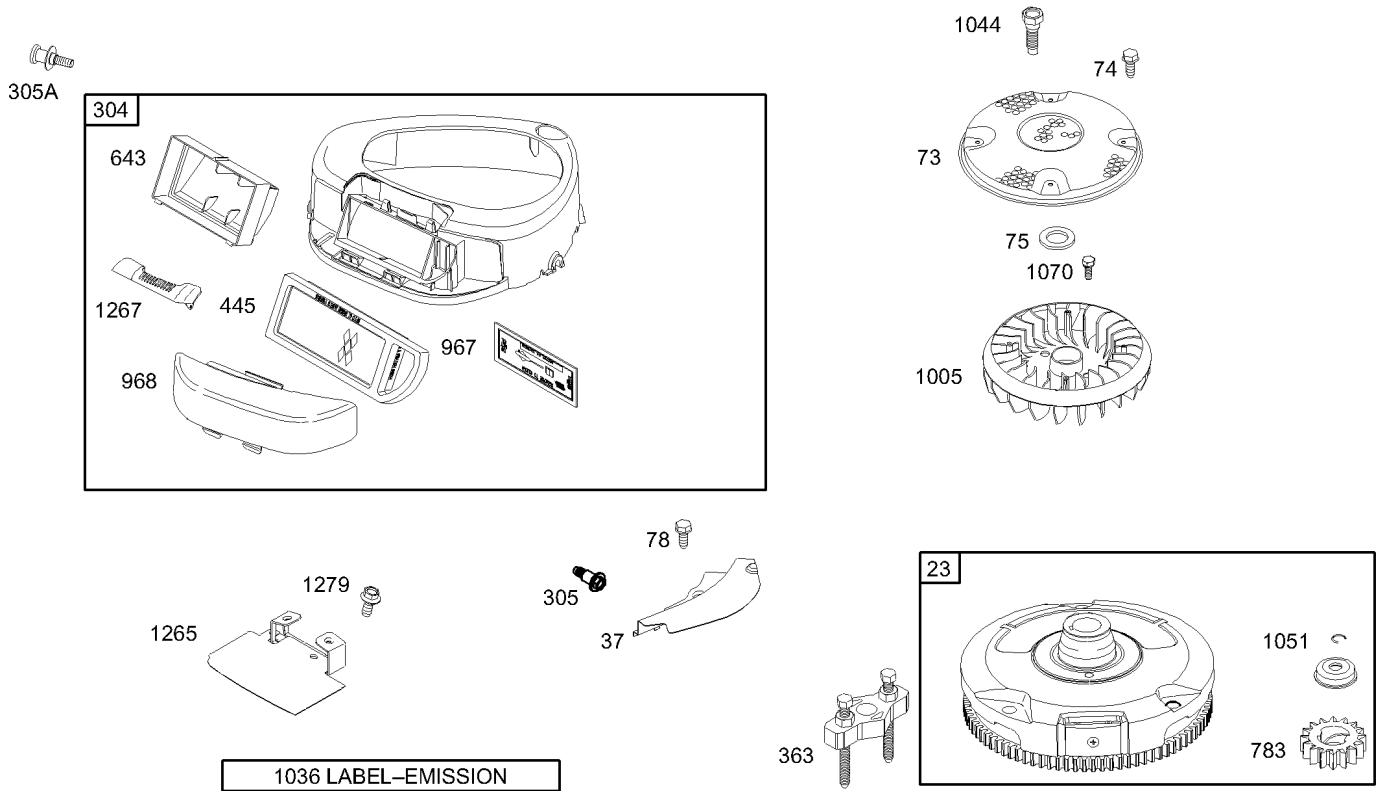


Assemblies include all parts shown in frames.

Governor Assembly Briggs and Stratton 31G777-0121-E1

Ref	Part No.	Qty.	Description
③188	691693	1	Screw (Oil Fill Bracket)
③202	691841	1	Link-governor, Mechanical
③209	691795	1	Spring-governor
③216	691840	1	Link-choke
③222	694042	1	Bracket-control
③227	691374	1	Lever-control, Governor
③232	691842	1	Spring-governor Link
③265	691024	1	Clamp-casing
③267	690804	1	Screw-Casing Clamp
③333	492341	1	Armature-magneto
③334	691061	1	Screw (Magneto Armature)
③356	697089	1	Stop-wire
③431	697122	1	Elbow-intake
③474	696457	1	Alternator
③501	691188	1	Regulator
③505	691251	1	Nut (Governor Control Lever)
③521	690581	1	Shield-Cable
③526	697088	1	Screw-Regulator
③562	691119	1	Bolt-Governor Control Lever
③613	698941	1	Screw-Exhaust
③729	691335	1	Clip-wire
③789	692037	1	Wiring-harness
③851	692424	1	Terminal-spark Plug
③883	692236	1	Gasket-exhaust

Ref	Part No.	Qty.	Description
③1059	698516	1	Kit-screw/washer
③1119	691183	1	Screw-Alternator
③③1266	691917	1	Seal-o Ring (Intake Elbow)
③③1266A	697123	1	Seal-o Ring, Intake Elbow

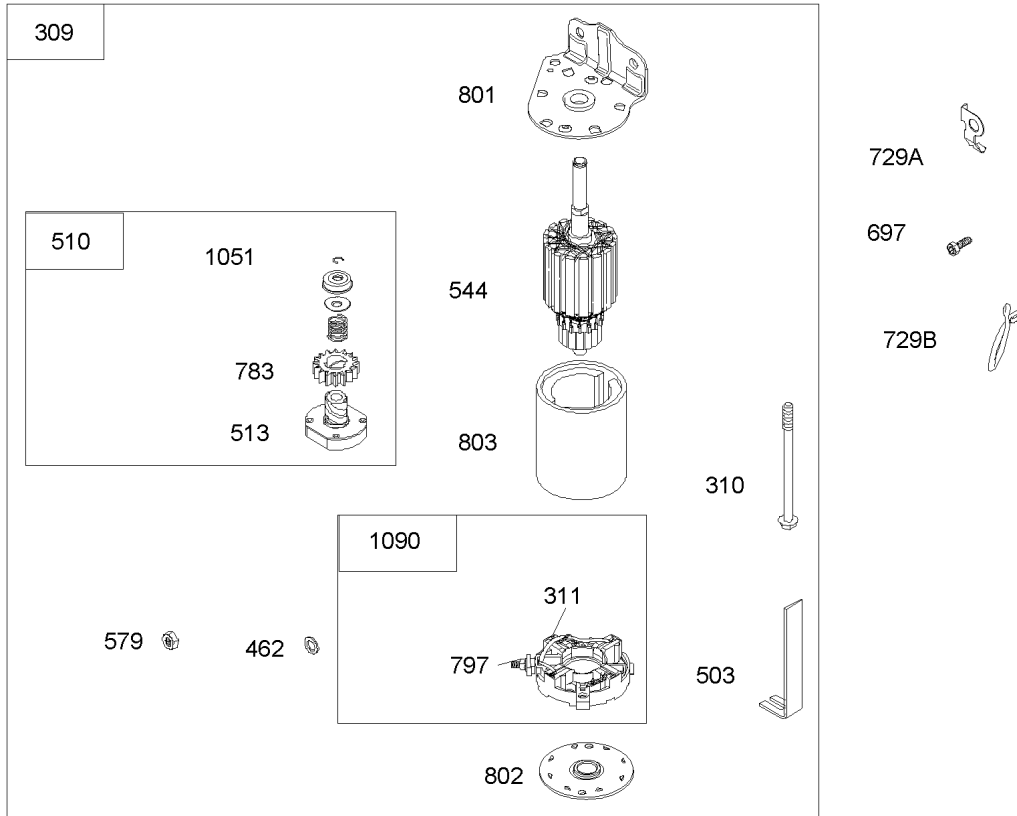


Assemblies include all parts shown in frames.

Blower Housing Assembly Briggs and Stratton 31G777-0121-E1

Ref	Part No.	Qty.	Description
③23	693556	1	Flywheel
③37	697108	1	Guard-flywheel
③73	697133	1	Screen-rotating
③74	697897	1	Screw-Rotating Screen
③75	690582	1	Washer-Flywheel
③78	691003	1	Screw-Flywheel Guard
③304	698804	1	Housing-Blower
③305	697102	1	Screw-Blower Housing
③305A	697103	1	Screw-Blower Housing
③363	19203	1	Puller-flywheel
③445	698083	1	Filter-air Cleaner Cartridge (Non Washable)
③643	698401	1	Retainer-air Filter
③783	693713	1	Gear-pinion
③967	697015	1	Filter-pre Cleaner
③968	697084	1	Cover-Air Cleaner
③1005	697111	1	Fan-flywheel
③1036	695700	1	Label-emission
③1044	691658	1	Screw-Crankshaft Extension
③1051	691265	1	Ring-retaining
③1070	690372	1	Screw-Drive Cap
③1265	697125	1	Support-blower Housing
③1267	697135	1	Latch-Blower Housing
③1279	690960	1	Screw (Blower Housing)

--	--	--	--

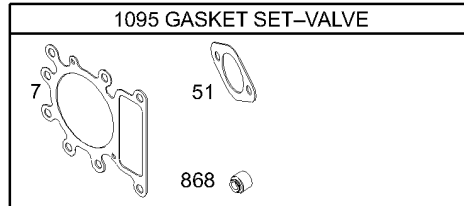
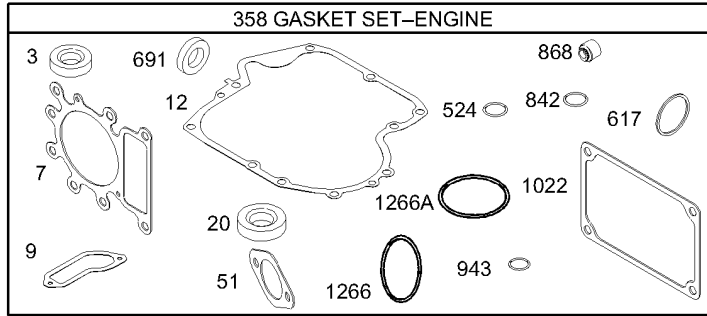


Assemblies include all parts shown in frames.

Starter Assembly Briggs and Stratton 31G777-0121-E1

Ref	Part No.	Qty.	Description
309	693551	1	Motor-starter
310	690323	1	Bolt-Starter Motor
311	497608	1	Brush Set
462	691261	1	Washer-Brush Retainer
503	691532	1	Strap-starter
510	693699	1	Drive-starter
513	692024	1	Drive Clutch
544	692034	1	Armature-starter
579	691029	1	Nut-Brush Retainer
697	690372	1	Screw-Drive Cap
729A	691224	1	Clip-wire
729B	694123	1	Clip-wire
783	693713	1	Gear-pinion
797	693167	1	Nut-Brush Retainer
801	691283	1	Cap-drive
802	691286	1	Cap-end
803	693757	1	Housing-starter
1051	691265	1	Ring-retaining
1090	691293	1	Retainer-brush

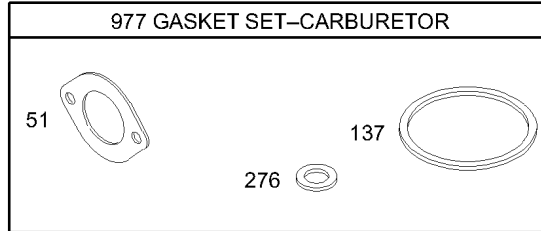
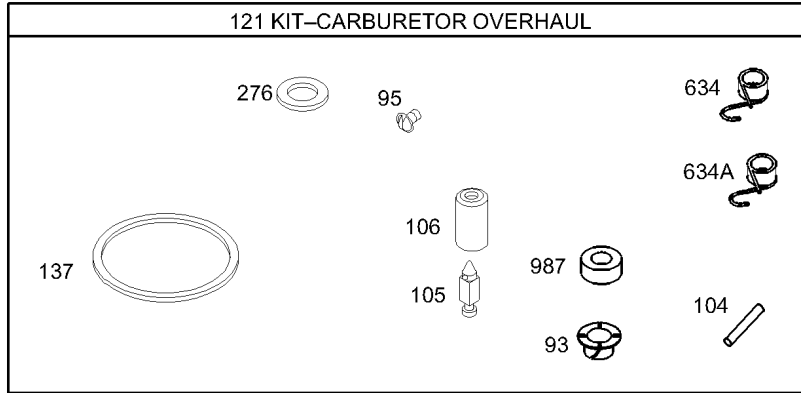
--	--	--	--



Assemblies include all parts shown in frames.

Gasket Assembly Briggs and Stratton 31G777-0121-E1

Ref	Part No.	Qty.	Description				
3	391086	1	Seal-oil (Magneto Side)				
4	692410	1	Gasket-cylinder Head				
7							
9	697109	1	Gasket-breather				
12	697110	0	Gasket-crankcase				
20	690947	1	Seal-oil (Pto Side)				
4	692137	1	Gasket-intake				
5							
3	697191	1	Gasket Set-engine				
5	692138	1	Seal-o Ring (Intake Manifold)				
6							
5	691032	1	Seal-dipstick Tube				
6	692407	1	Seal-governor Shaft				
8	691031	1	O Ring Seal (Dipstick Tube)				
4	690968	1	Seal-valve				
8							
9	690589	1	Seal-o Ring (Oil Pump Cover)				
10	272475	1	Gasket-rocker Cover				
10	691581	1	Gasket Set-valve				
5	691917	1	Seal-o Ring (Intake Elbow)				
6							
5	697123	1	Seal-o Ring, Intake Elbow				
8							



Assemblies include all parts shown in frames.

Carburetor Overhaul Kit Assembly Briggs and Stratton 31G777-0121-E1

Ref	Part No.	Qty.	Description
④⑤1 ⑥⑥	692137	1	Gasket-intake
⑤⑤93	690602	1	Bushing-shaft, Throttle
⑤⑤95	691636	1	Screw (Throttle Valve)
⑤⑤104	690525	1	Pin-hinge, Float
⑤⑤105	231855	1	Valve-needle, Float
⑤⑤106	691780	1	Seat-inlet
⑤121	697884	1	Kit-Carburetor Overhaul
⑤⑥137 ⑤	281165	1	Gasket-float Bowl
⑤⑥276 ⑤	692255	1	Washer-sealing
⑤⑤634	690801	1	Spring / Seal ASM
⑤⑤634A	690802	1	Spring / Seal Assembly
⑤977	690192	1	Gasket Set-carburetor
⑤⑤987	691326	1	Seal-shaft, Throttle

NOTES

NOTES

