



Workman[®] e2050 Utility Vehicle

Model No. 07280 - 240000001 and up.

Parts Catalog

Ordering Replacement Parts

To order replacement parts, please supply the part number, the quantity, and the description of each part desired.

Understanding Reference Numbers

Each Identified part in an illustration has a reference number. The reference number for a part also appears in the parts list, along with other information about the part.

This catalog uses two special reference number formats, one to indicate parts in a service assembly and another to indicate the quantity of a given part in an illustration.

Service Assembly Reference Numbers

Parts in service assemblies have reference numbers in the form a:b. The a represents the reference number of the entire service assembly and the b represents a sequential number unique to each part within the service assembly.

For example, a wheel assembly might be identified by reference number 6, the tire by 6:1, the valve by 6:2, and the wheel by 6:3. When you order the assembly identified by reference number 6, you receive all parts identified by reference numbers 6:1, 6:2, and 6:3. However, you may also order any part individually. Reference numbers of this type appear in illustrations and in part lists.

Reference Numbers Indicating Quantity

In an illustration, if a reference number indicates more than one part, the reference number has the form nX y. The n represents the quantity of the part, the X is the multiplication symbol, and the y represents the reference number.

For example, in an illustration, the reference number 2X 37 means that two of the parts identified by reference number 37 are indicated.

Contents

Description	Page	Description	Page
Hood and Fender Assembly 3	Battery and Transaxle Assembly 12
Solenoid Assembly No. 104-7135 4	Electric Motor Assembly No. 104-7335 13
Pedal Assembly 5	Axle Assembly No 104-7378 14
Frame Assembly 6	Left Hand Brake Assembly No. 108-2419 15
Seat Base Assembly 7	Right Hand Brake Assembly No. 108-2420 16
Offboard 48 Volt Charger Assembly No. 107-0346 8	Steering Assembly 17
Front Tire and Steering Assembly 9	Steering Gearbox Assembly No. 99-7660 18
Tire, Wheel and Hub Assembly 10	Box and Tailgate Installation Assembly 19
Controller Assembly 11	Box and Tailgate Assembly 20
		Attachments and Accessories List 21

Part Description Abbreviations

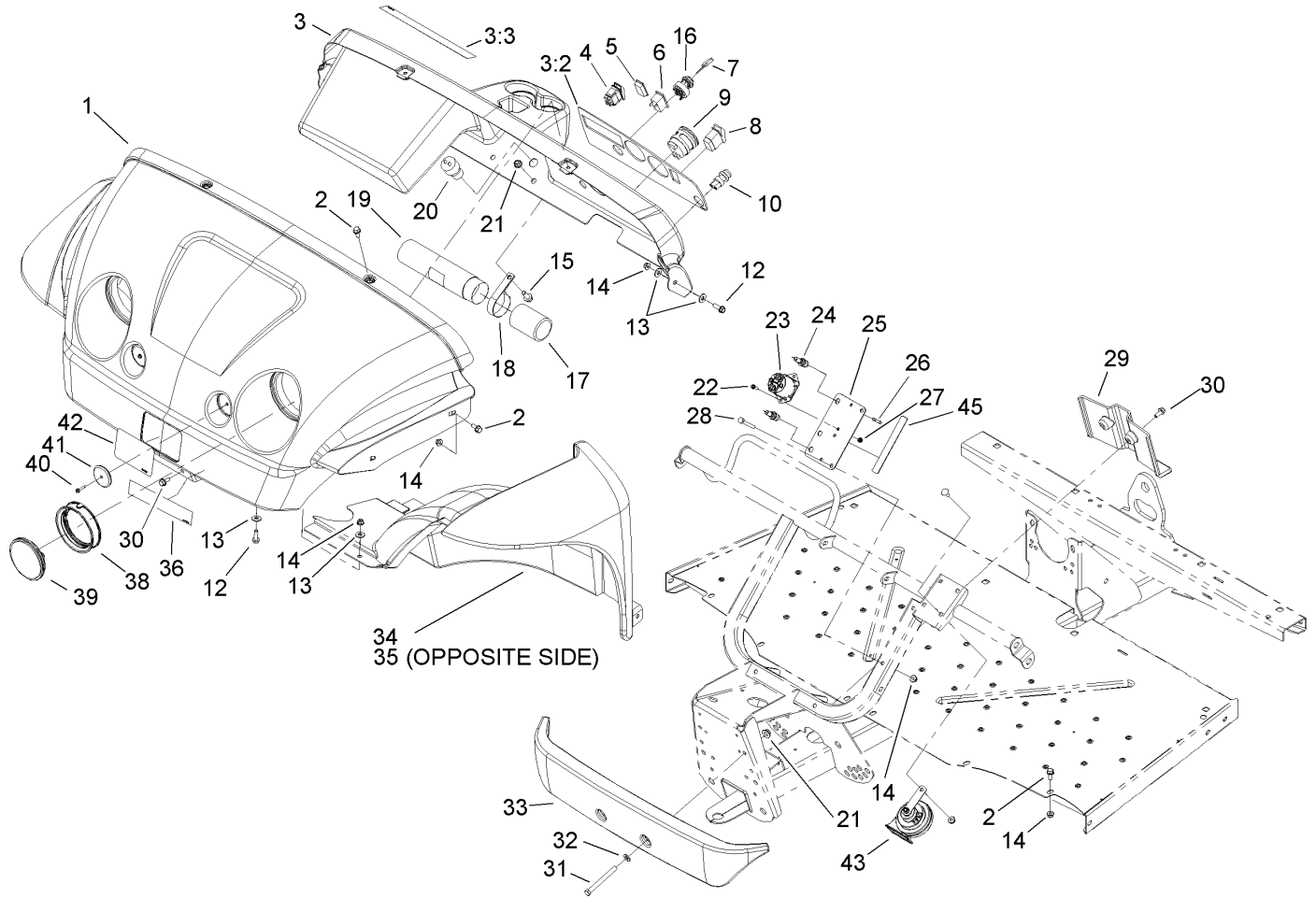
Part descriptions in this catalog may include the following abbreviations.

AR. as required	HYD. hydraulic
ASM. assembly	INC. incorporated
CARR. carriage	LH. left hand
DEG. degrees	NI. nylon insert
EXT. external	NPTF. national pipe thread fine
FH. flat head	PPH. phillips pan head
GA. gauge	PRH. phillips round head
HF. hex flange	PTH. phillips truss head
HH. hex head	PTO. power take off
HHF. hex head flange	RH. right hand
HHFTF. hex head flange thread forming	ROPS. roll over protection system
HJ. hex jam	SFH. slotted fillister head
HLH. hex lag head	SHH. slotted hex head
HOC. height-of-cut	SHWH. slotted hex washer head
HS. hex	SPH. slotted pan head
HSBH. hex socket button head	SQH. square head
HSFH. hex socket flat head	SRH. slotted round head
HSH. hex socket head	STD. standard
HWH. hex washer head	TAP. self tapping
HWHTF. hex washer head thread forming	TTH. torx truss head

Footnotes

❶ Not illustrated

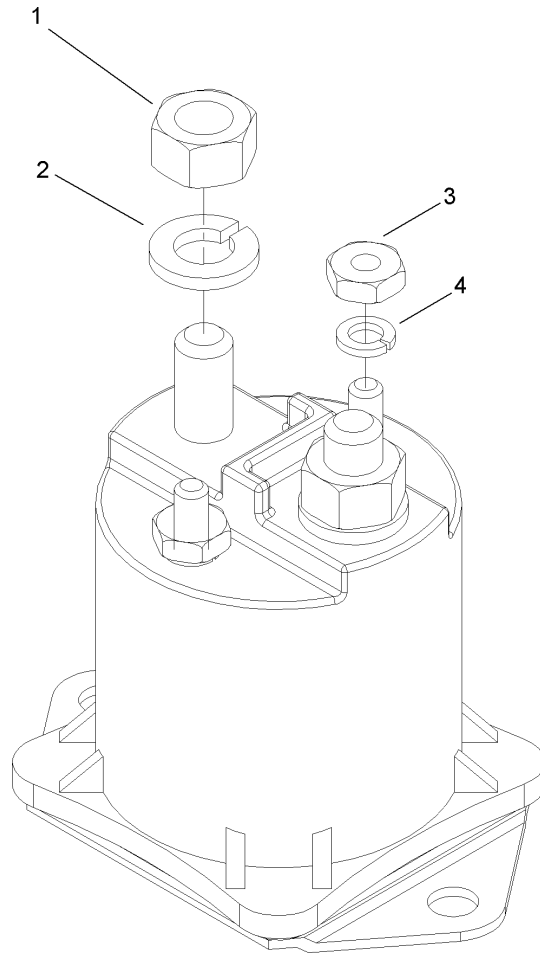
❷ Not serviced separately



Hood and Fender Assembly

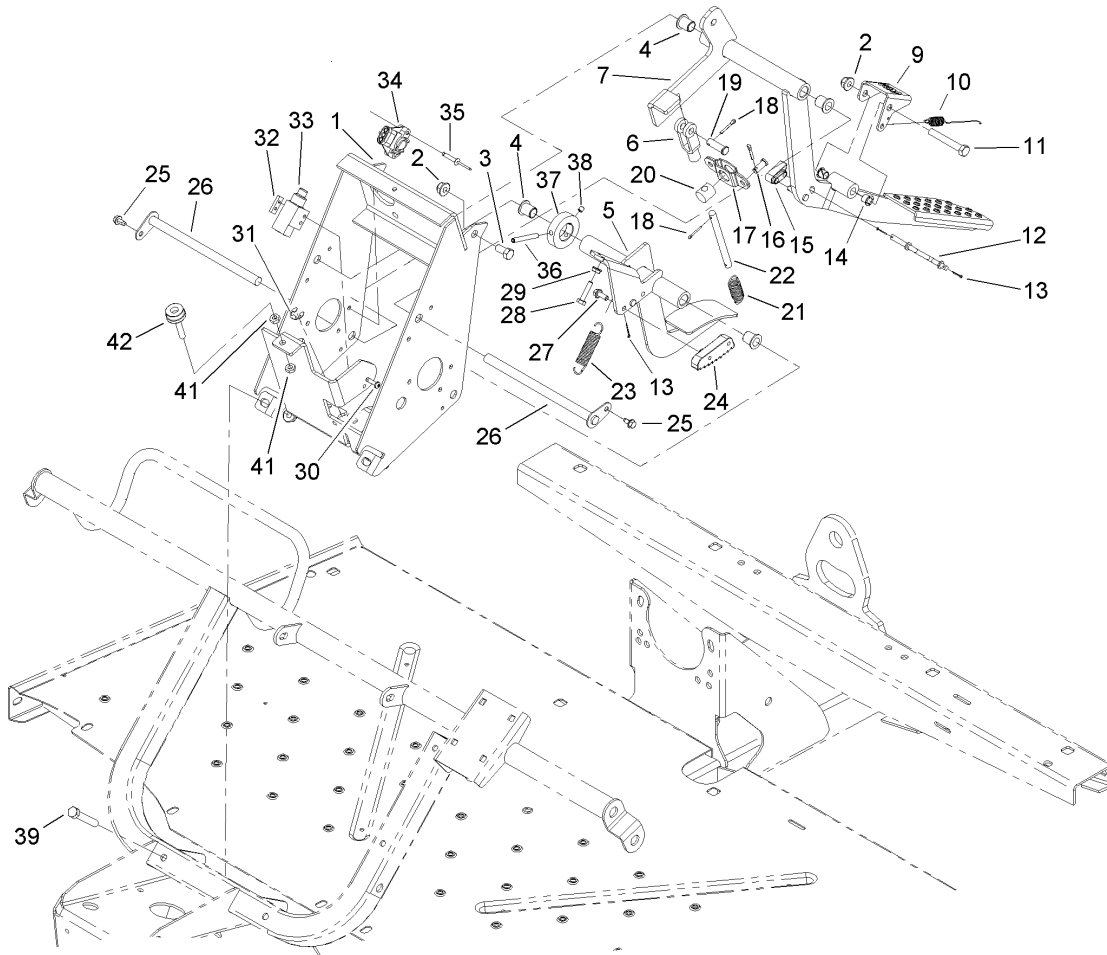
Ref	Part No.	Qty.	Description
1	104-7003	1	Hood
2	3234-5	14	Screw
3	104-7216	1	Electric Dash ASM
3:2	104-7214	1	Decal-Dash, Electric
3:3	104-7215	1	Decal-Danger, Electric Vehicle
4	107-0255	1	Switch
5	99-7420	2	Plug-Hole
6	104-7129	1	Light-Indicator
7	99-7418	1	Key-Ignition
8	107-0747	1	Switch-Rocker
9	107-0260	1	Gauge-Hour/battery Level, 48 Volt
10	18-2830	1	Button-Horn
12	3234-17	4	Screw-HHF
13	3256-3	8	Washer-Flat
14	104-8300	16	Nut-Flange, NI
15	3234-11	2	Screw-HHF
16	107-0348	1	Switch-Key, 48v
17	104-7048	1	Cap-Housing
18	2412-133	2	R-Clamp
19	104-7050	1	Housing-Manual
20	94-5245	1	Switch-Key
21	104-8301	4	Nut-Flange, NI
22	32105-13	2	Screw-SHH
23	104-7135	1	Solenoid

Ref	Part No.	Qty.	Description
24	218-489	2	Holder-Fuse
25	104-7252	1	Mount-Solenoid
26	98-8876	2	Fuse-10 Amp
27	32149-7	2	Nut-Keys
28	322-11	2	Screw-HH
29	104-7075	1	Cover-Channel
30	104-7206	4	Screw HHF
31	323-42	2	Screw-HH
32	3256-24	2	Washer-Flat
33	99-7733	1	Bumper-Plastic
34	104-7076	1	LH Fender ASM
35	104-7077	1	RH Fender ASM
36	104-7120	1	Decal-Electric
38	99-7311	2	Mount-Headlight
39	104-7312	2	Headlight
40	32144-89	2	Screw-Forming, Thread
41	99-7312	2	Reflector
42	99-7339	1	Decal
43	107-0358	1	Horn
45	107-0287	1	Decal-Fuse



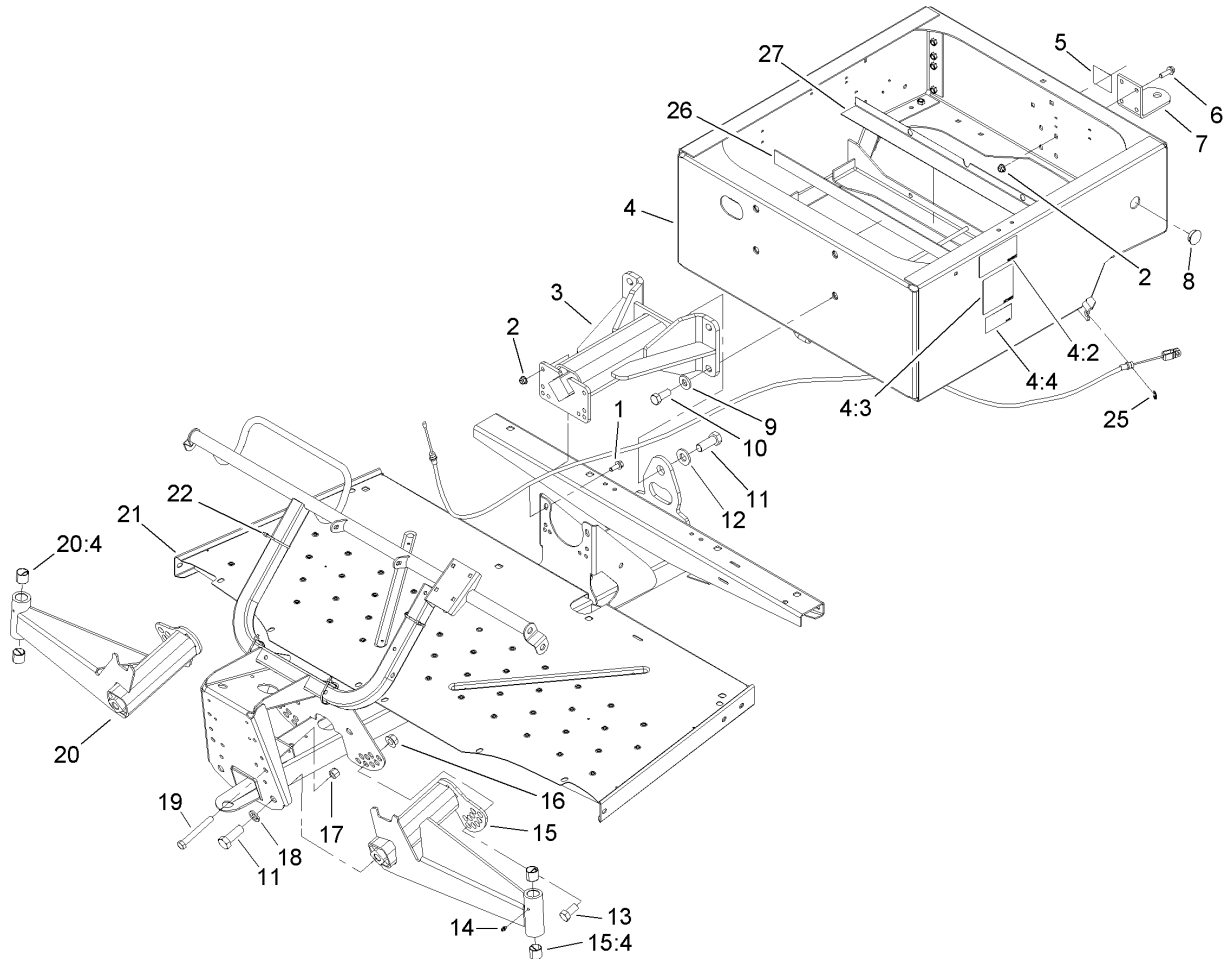
Solenoid Assembly No. 104-7135

Ref	Part No.	Qty.	Description				
1	3217-6	2	Nut-Hex				
2	3253-4	2	Washer-Lock				
3	3219-14	2	Nut-Hex				
4	3253-17	2	Washer-Lock / Sp				



Pedal Assembly

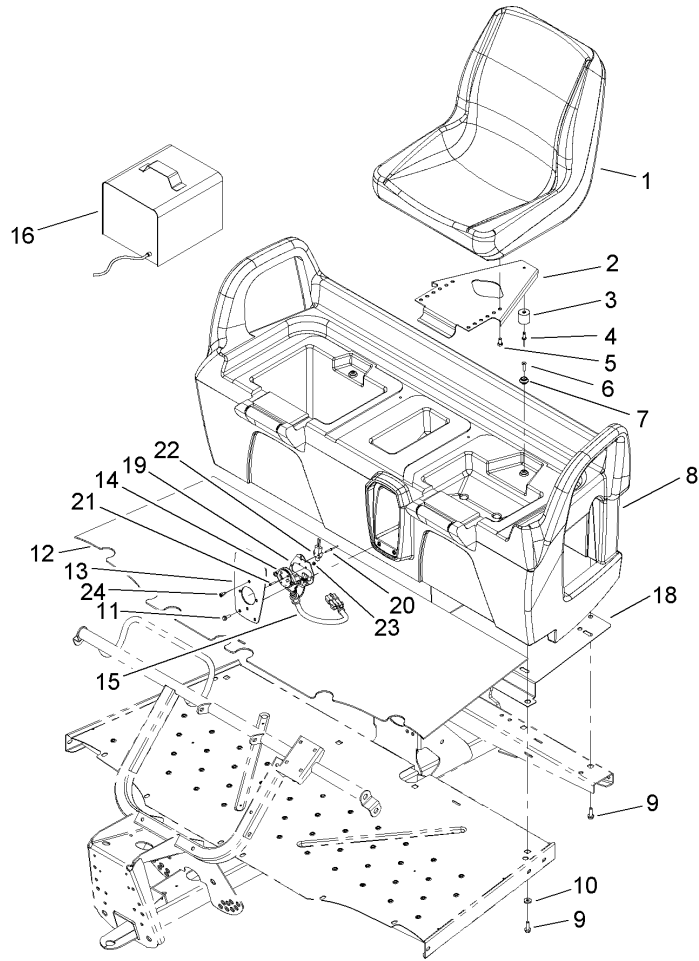
Ref	Part No.	Qty.	Description	Ref	Part No.	Qty.	Description
1	104-7160-03	1	Frame-Pedals	26	104-7164	2	Pivot-Pedals
2	104-8301	5	Nut-Flange, NI	27	3234-33	2	Screw-HHF
3	323-4	2	Screw-HH	28	321-7	2	Screw-HH
4	256-155	4	Bushing-Flange	29	32149-2	2	Nut-Keps
5	104-7165-03	1	Pedal-Throttle	30	104-7221	2	Screw-PPH
6	1-633131	1	Yoke-Linkage, Brake	31	32120-47	2	Ring-Retaining, External
7	104-7170-03	1	Pedal-Brake	32	1-633181	1	Plate-Tapped
9	104-6613	1	Pedal-Park	33	99-7407	1	Switch
10	92-6945	1	Spring-Extension	34	104-7365	1	Sensor-Position, Rotary
11	323-12	1	Screw-HH	35	107-0386	2	Rivet-Blind
12	104-6616	1	Rod-Park	36	32121-78	1	Pin-Roll
13	3272-4	4	Pin-Cotter	37	104-7301	1	Collar
14	52-2891	2	Bushing-Link, Steering	38	3245-32	2	Screw-HS
15	104-6624	1	Detent-Brake	39	323-11	2	Screw-HH
16	283-62	2	Pin-Clevis	41	3218-2	2	Nut-Jam
17	104-6599	1	Pivot-Brake	42	32141-36	1	Screw-Adjustment, Level
18	3272-10	4	Pin-Cotter				
19	283-2	1	Pin-Clevis				
20	104-6598	1	Pin-Pivot				
21	613386	1	Spring-Brake				
22	104-6597	1	Rod-Threaded				
23	104-6415	1	Spring-Return, Pedal				
24	104-6614	1	Pawl-Brake				
25	12-3270	2	Screw				



Frame Assembly

Ref	Part No.	Qty.	Description
1	3234-11	4	Screw-HHF
2	104-8301	8	Nut-Flange, NI
3	99-7700	1	Pivot Yoke ASM
4	104-7130	1	Rear Frame ASM
4:2	104-7207	2	Decal-Electric
4:3	107-0257	1	Decal-Polarity
4:4	104-7131	1	Decal-Capacity, Electric
5	99-7350	1	Decal-Information
6	3234-24	4	Screw-HHF
7	99-7654-03	1	Hitch-Duty, Light
8	94-1402	1	Plug-Hole
9	99-7667	4	Washer-Flat
10	327-4	4	Screw-HH
11	328-24	5	Screw-HH
12	87-3060	1	Washer-Hardened
13	3214-2	2	Screw-HH
14	302-5	2	Fitting-Grease
15	99-7685	1	LH A-Arm ASM
15:4	3-0348	2	Bushing
16	32128-54	2	Nut-HF
17	3296-23	2	Nut-Lock, NI
18	3254-7	4	Washer-Lock, Int
19	325-17	2	Screw-HH
20	99-7684	1	RH A-Arm ASM

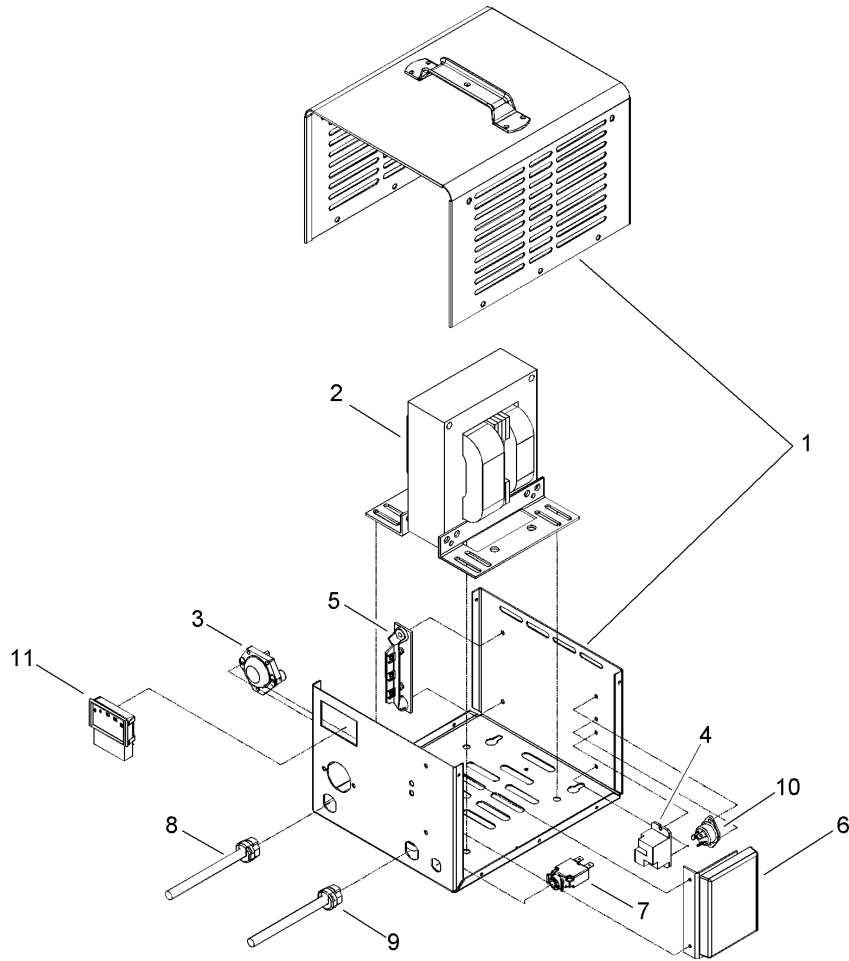
Ref	Part No.	Qty.	Description
20:4	3-0348	2	Bushing
21	104-7197-03	1	Front Frame ASM
22	3290-379	11	Tie-Cable
25	32120-47	2	Ring-Retaining, External
26	107-0252	1	Pad-Battery
27	107-0267	4	Isolator-Battery



Seat Base Assembly

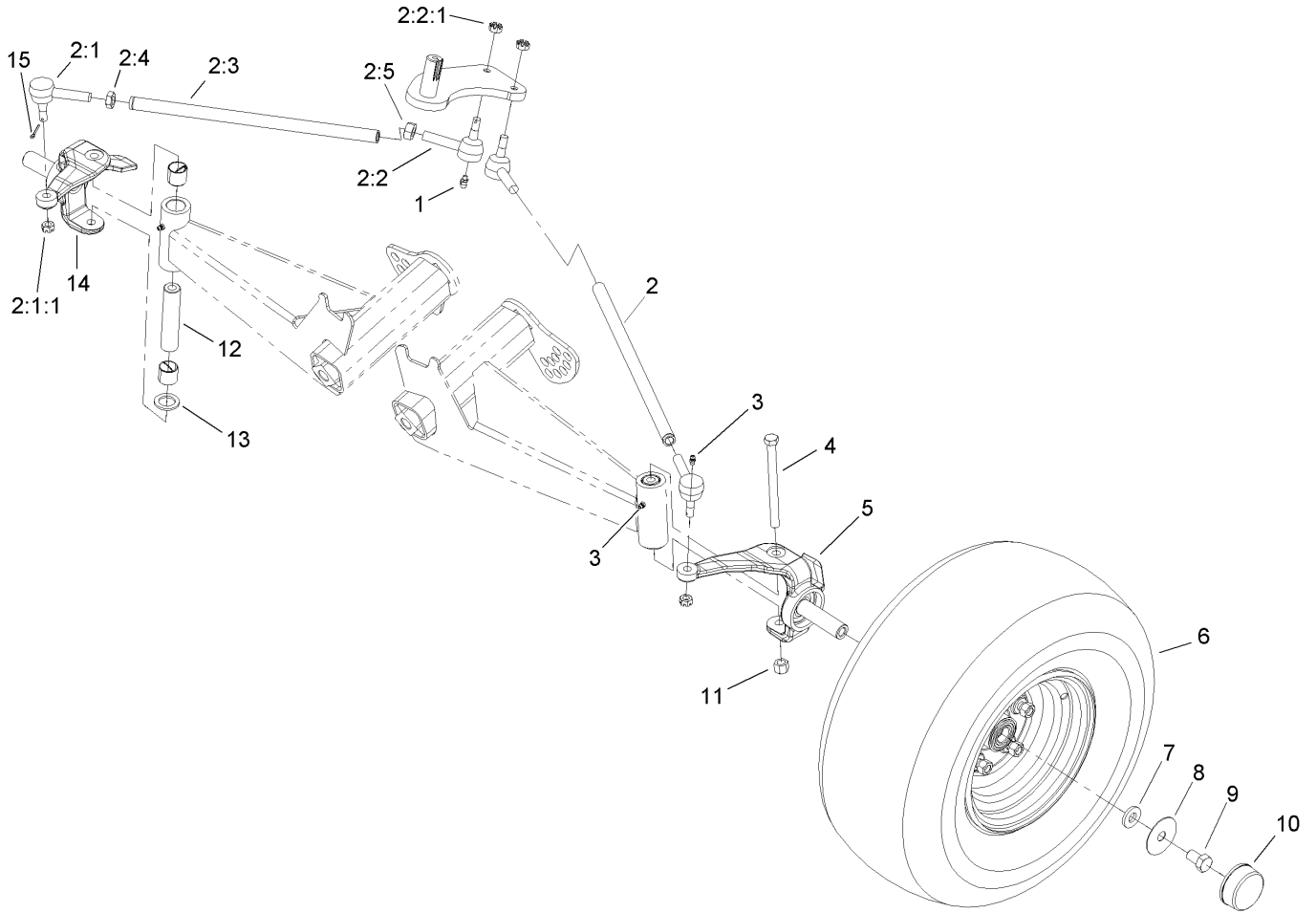
Ref	Part No.	Qty.	Description
1	106-6672	2	Seat
2	99-7829	2	Bracket-Seat
3	99-7830	2	Rubber Receptical ASM
4	3290-412	2	Rivet
5	33114-016	8	Screw-HH
6	32108-5	2	Screw-FH
7	99-7833	2	Post-Holding
8	104-6401	1	Seat Base ASM
9	3234-17	8	Screw-HHF
10	88-7200	8	Washer-Flat
11	32105-15	4	Screw
12	104-6590	1	Mat-Floor
13	107-0370	1	Plate-Receptacle
14	107-0288	1	Receptacle-Charger
15	107-0746	1	Harness-Wire, Charger
16	107-0346	1	Charger-48v, Offboard
18	107-0359-03	1	Tray-Seatbase
19	107-0716	1	Bracket-Mount, Socket
20	107-0333	2	Rivet-Pop
21	107-0334	2	Screw-HSH
22	99-3410	1	Switch
23	3296-9	2	Nut-Lock
24	32104-17	4	Screw-HWH

--	--	--	--



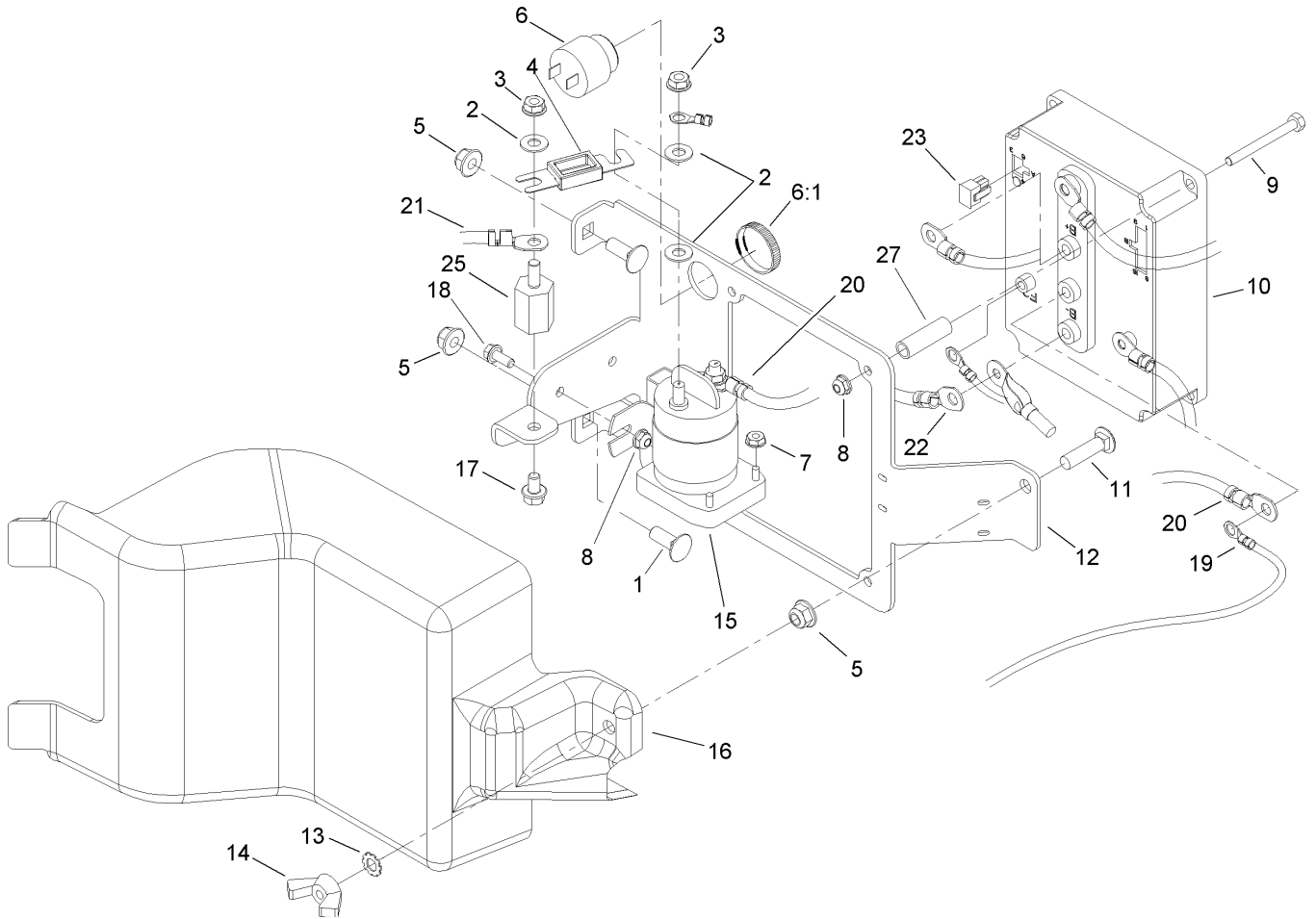
Offboard 48 Volt Charger Assembly No. 107-0346

Ref	Part No.	Qty.	Description				
② 1		1	Case ASM				
② 2		1	Transformer ASM				
3	108-1161	1	Fuse ASM				
4	108-1162	1	Relay-48v Dc				
5	108-1163	1	Diode ASM				
6	108-1164	1	Control Board ASM				
7	108-1165	1	Breaker-Circuit				
8	108-1166	1	Cordset Kit				
9	108-1167	1	Cordset Kit				
10	108-1168	1	Scr W/terminals				
11	108-1169	1	Ammeter				



Front Tire and Steering Assembly

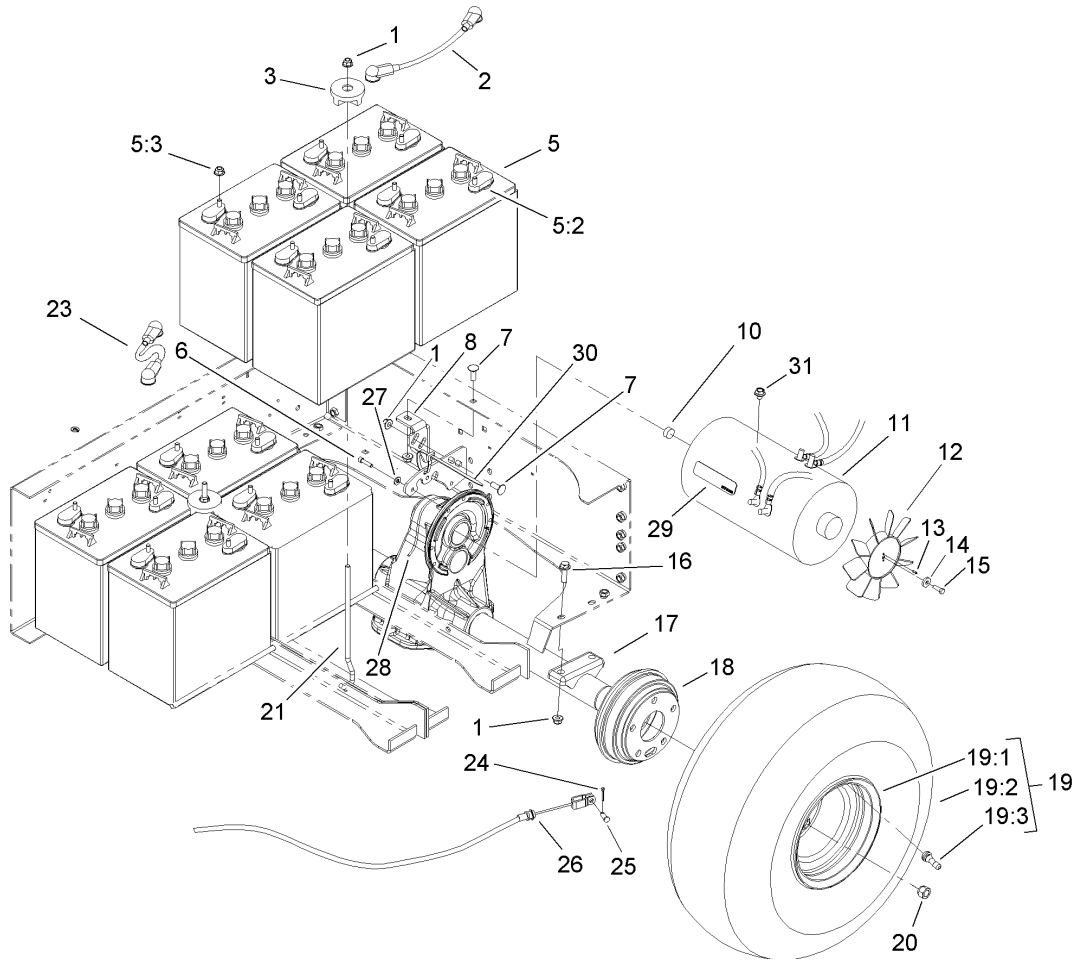
Ref	Part No.	Qty.	Description
1	302-60	2	Fitting-Grease, 90 Degree
2		2	Tie Rod ASM
2:1	112772	1	Joint-Ball, RH
2:1:1	915031	1	Nut
2:2	112771	1	Joint-Ball, LH
2:2:1	915031	1	Nut
2:3	99-7600-03	1	Rod-Tie
2:4	3220-11	1	Nut-Jam
2:5	3218-21	1	Nut-Jam
3	302-5	2	Fitting-Grease
4	325-20	2	Screw-HH
5	99-7486-03	1	Spindle-LH
6		2	Tire, Wheel And Hub ASM
7	99-7667	2	Washer-Flat
8	99-7719	2	Washer
9	327-2	2	Screw-HH
10	94-7871	2	Cap-Dust
11	3296-23	2	Nut-Lock, NI
12	99-7499	2	Sleeve-Kingpin
13	256-115	2	Washer-Thrust
14	99-7487-03	1	Spindle-RH
15	3272-7	4	Pin-Cotter



Controller Assembly

Ref	Part No.	Qty.	Description
1	3231-22	2	Screw-CARR
2	107-0394	3	Washer-Flat
3	107-0380	3	Nut-HHF
4	104-7320	1	Fuse
5	104-8301	3	Nut-Flange, NI
6	94-5582	1	Alarm-Audio
6:1	104-5107	1	Nut-Plastic, Knurled
7	32149-8	2	Nut-Keps
8	104-7201	6	Nut-HF
9	321-15	4	Screw-HH
10	104-7337	1	Controller
11	3231-4	1	Screw-CARR
12	104-7137-03	1	Mount-Controler
13	3255-9	1	Washer-Lock, Ext
14	32103-3	1	Nut-Wing
15	104-7136	1	Contactora-48v
16	104-7138	1	Cover-Controller
17	100-1719	1	Screw-Flange
18	3234-33	2	Screw-HHF
19	107-0730	1	Harness-Wire, Electric Mid Duty
20	107-0740	1	Cable-Battery, Positive
21	107-0741	1	Cable-Battery, Positive
22	107-0742	1	Cable-Battery, Negative
23	32160-130	1	Connector

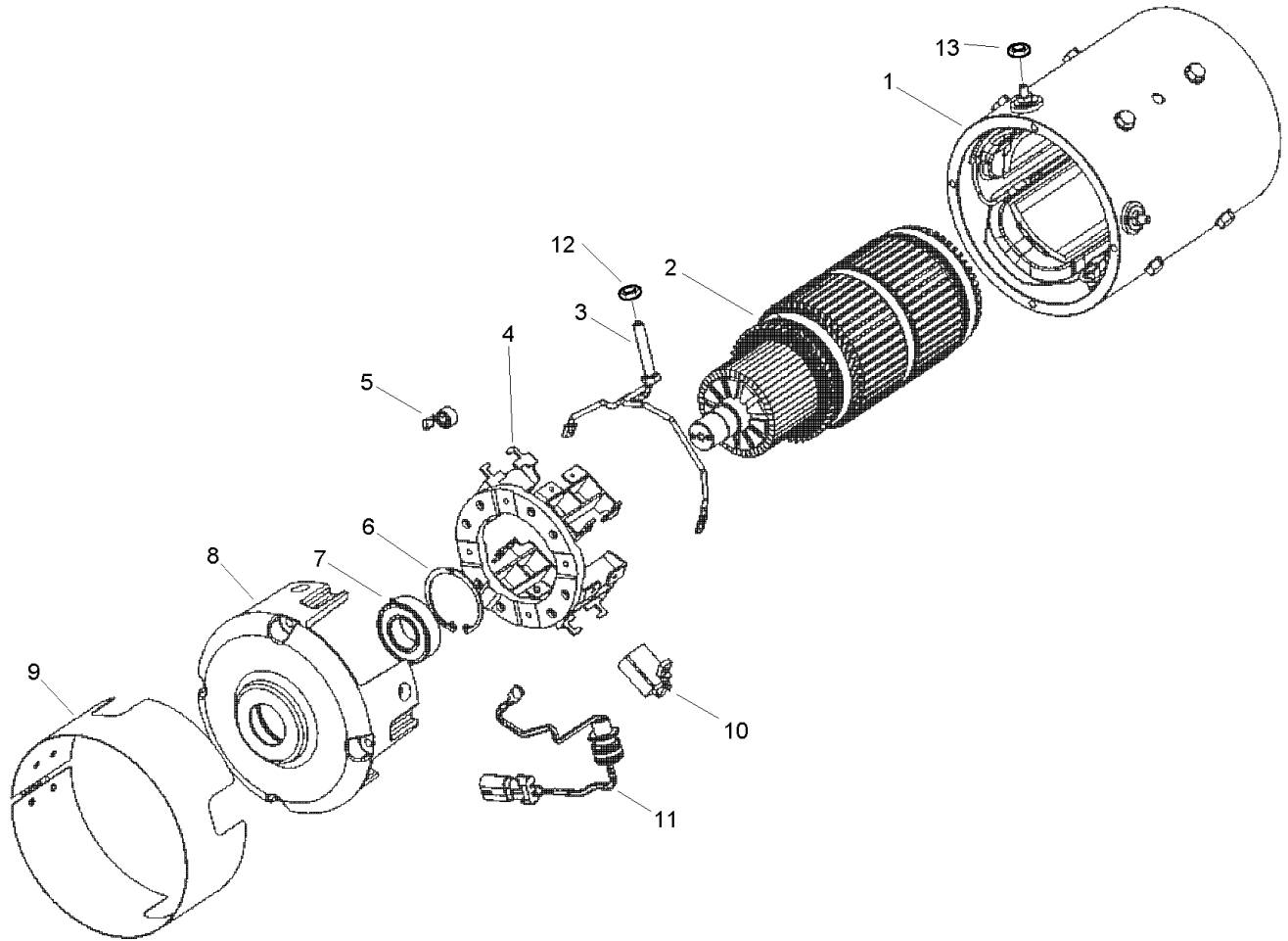
Ref	Part No.	Qty.	Description
●24	107-0737	1	Harness-Wire, Battery Cable
25	107-0286	1	Isolator
27	107-0285	4	Spacer
●28	3290-379	2	Tie-Cable



Battery and Transaxle Assembly

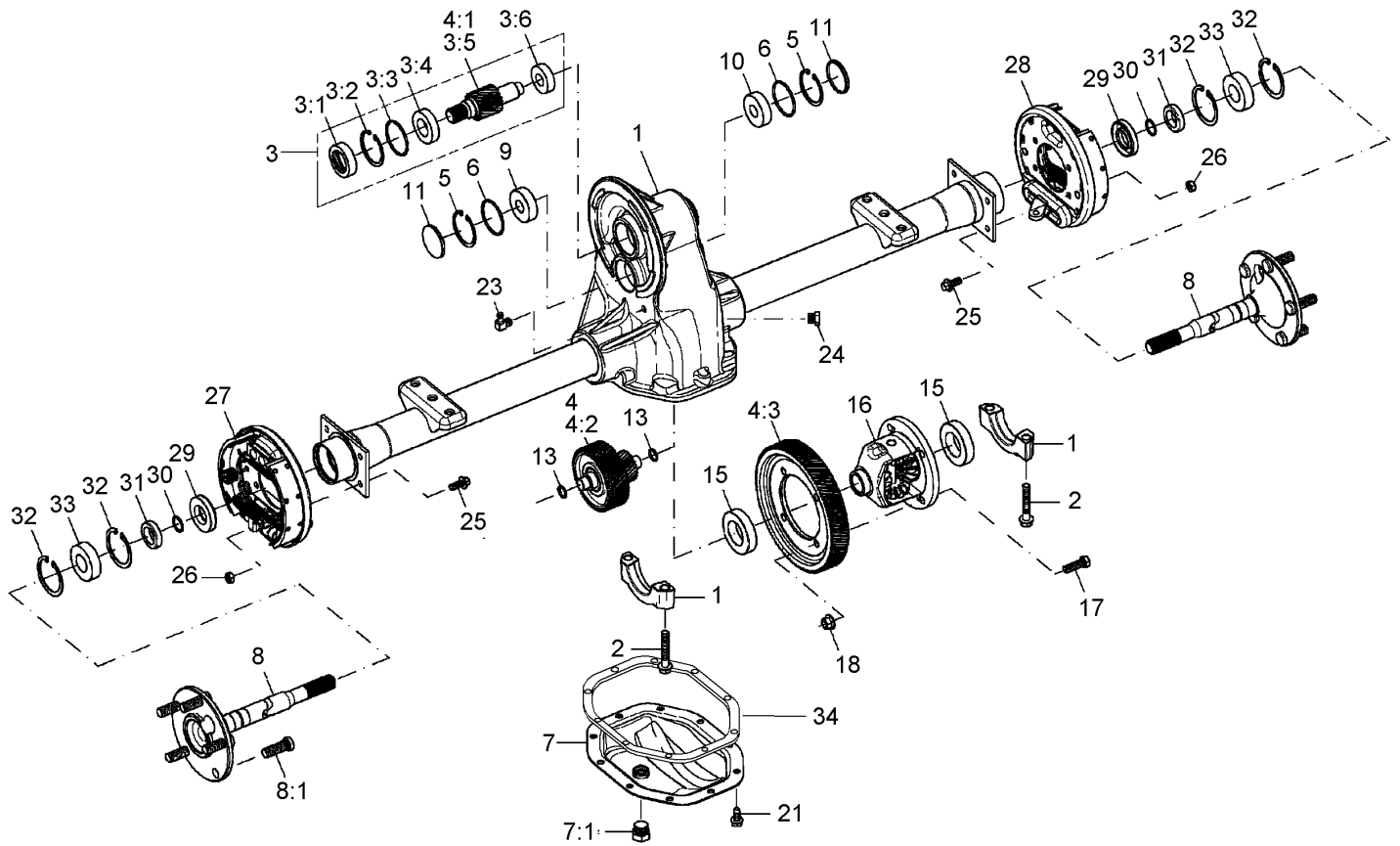
Ref	Part No.	Qty.	Description
1	104-8301	11	Nut-Flange, NI
2	107-0739	1	Cable-Battery, Positive
3	104-7149	2	Hold Down Assembly
5		8	Battery
5:2	107-0289	2	Cover-Terminal, Battery
5:3	107-0388	2	Nut
6	3274-26	6	Screw-HSH
7	3231-22	5	Screw-CARR
8	104-7249-03	1	Bracket-Support
10	104-7243	1	Damper-Rubber
11	104-7335	1	Motor-Electric
12	107-0259	1	Fan-10 Blade, Clockwise
13	32121-68	2	Pin-Roll
14	73-3580	1	Washer
15	3274-8	1	Screw-HSH
16	3234-24	4	Screw-HHF
17	104-7378	1	Transaxle-Electric
18	104-6500	2	Drum-Brake
19	104-7290	2	Tire/wheel ASM
19:1	104-7288	1	Wheel
19:2	104-7289	1	Tire
19:3	232-27	1	Stem-Valve
20	242-50	10	Nut-Lug
21	104-7339	2	Rod-Battery

Ref	Part No.	Qty.	Description
23	107-0738	6	Cable-Battery, Positive
24	3272-10	2	Pin-Cotter
25	283-62	2	Pin-Clevis
26	104-7324	2	Cable-Brake
27	3256-22	6	Washer-Flat
28	5-4542	1	Line-Gas
29	107-0356	1	Decal-Motor
30	3290-379	12	Tie-Cable
31	107-0376	1	Screw-HSFH
40	3290-378	2	Tie-Cable



Electric Motor Assembly No. 104-7335

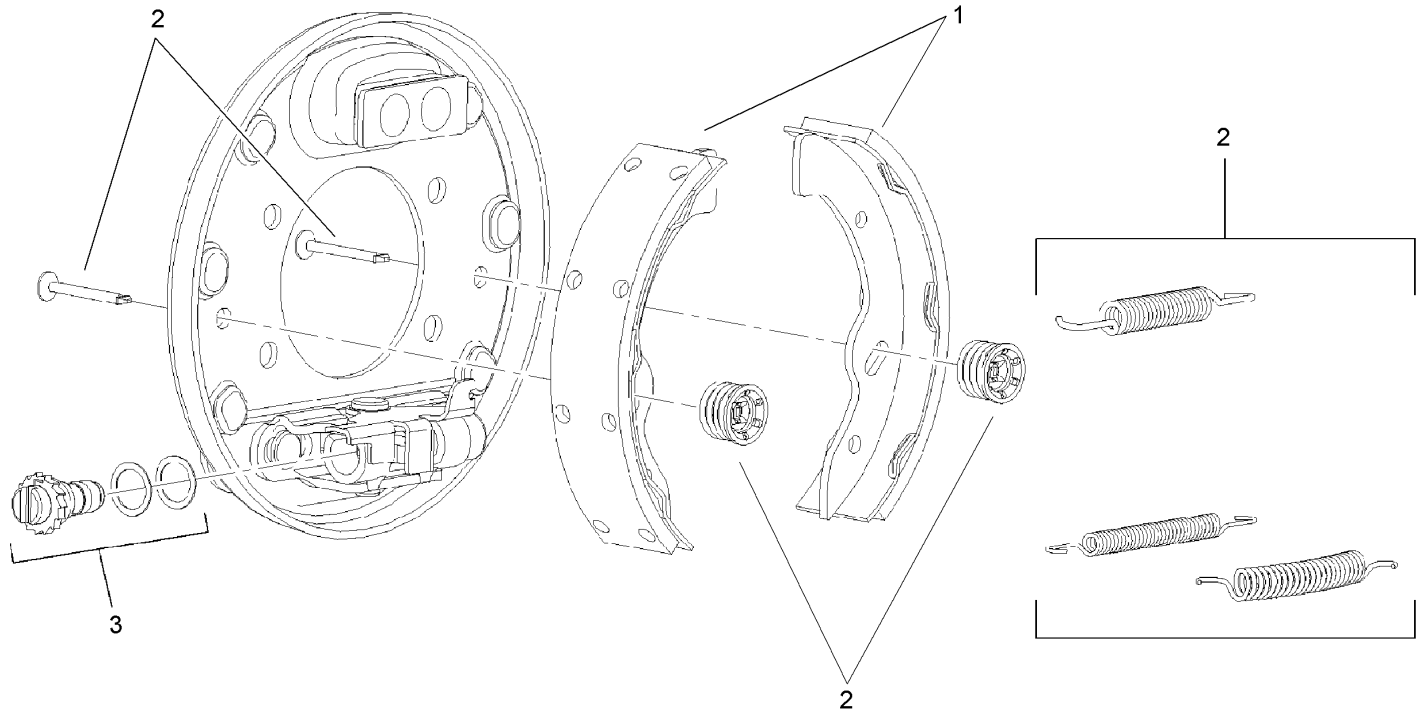
Ref	Part No.	Qty.	Description	
1		1	Frame And Field ASM	
2		1	Armature ASM	
3	108-1151	2	Brush Lead ASM	
4	108-1152	1	Brush Box ASM	
5	108-1153	8	Spring-Brush	
6	108-1154	1	Ring-Retaining	
7	108-1155	1	Bearing	
8	108-1156	1	Head-Commutator	
9	108-1157	1	Headband ASM	
10	108-1158	8	Brush	
11	108-1159	1	Thermal Sensor ASM	
12	3218-13	2	Nut-Jam, Brass	
13	3218-14	2	Nut-Jam, Brass	



Axle Assembly No 104-7378

Ref	Part No.	Qty.	Description
1		1	Housing ASM
2	108-2401	4	Bolt-Cap, Bearing
3	108-2402	1	Input Shaft Kit
3:1	108-2403	1	Seal-Oil
3:2	108-2404	1	Ring-Retaining
3:3	108-2405	1	O-Ring
3:4		1	Bearing-Ball
3:5		1	Shaft-Input
3:6		1	Bearing-Ball
4	108-2409	1	Internal Gear Kit
4:1		1	Shaft-Input
4:2		1	Gear-Intermediate
4:3		1	Gear-Drive, Final
5	108-2404	2	Ring-Retaining
6	108-2405	2	O-Ring
7	108-2416	1	Cover Kit
7:1	108-2415	1	Plug-HH
8	108-2426	1	Axle Shaft Kit
8:1	106-9205	5	Stud-Wheel
9	108-2406	1	Bearing-Ball
10	108-2407	1	Bearing-Ball
11	108-2408	2	Plug-Cap, End
13	108-2410	2	O-Ring
15	108-2411	2	Bearing-Ball

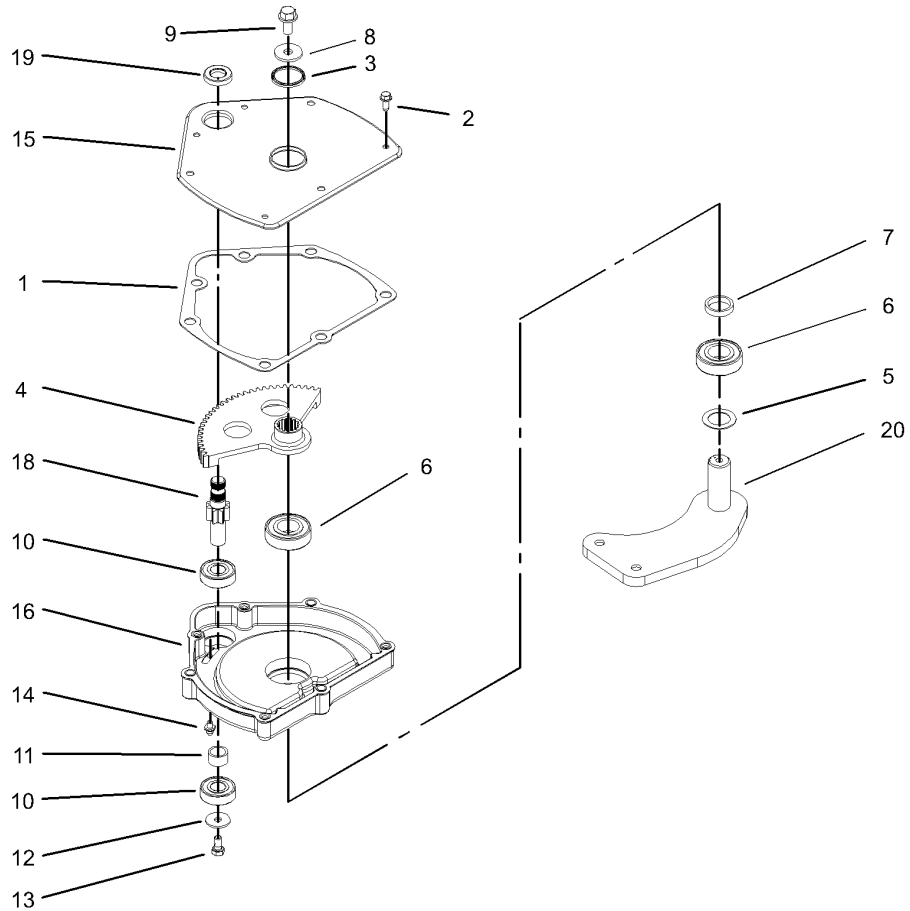
Ref	Part No.	Qty.	Description
16	108-2412	1	Differential ASM
17	108-2413	4	Screw-Hex
18	108-2414	4	Nut-Lock
21	108-2427	10	Screw-Tapping
23	108-2428	1	Elbow-90 Degree
24	108-2429	1	Plug-HH
25	108-2417	8	Screw-Head, Flange
26	108-2418	8	Nut-Lock
27	108-2419	1	LH Brake ASM
28	108-2420	1	RH Brake ASM
29	108-2421	2	Seal-Oil
30	108-2422	2	Ring-Retaining
31	108-2423	2	Ring-Retaining, Wheel Bearing
32	108-2424	4	Ring-Retaining
33	108-2425	2	Bearing-Ball
34	108-3148	1	Gasket



Right Hand Brake Assembly No. 108-2420

Ref	Part No.	Qty.	Description
1	108-6995	1	Shoe And Lining Kit (Set Of 4)
2	104-1244	1	Springs
3	104-1246	1	RH Adjuster Kit

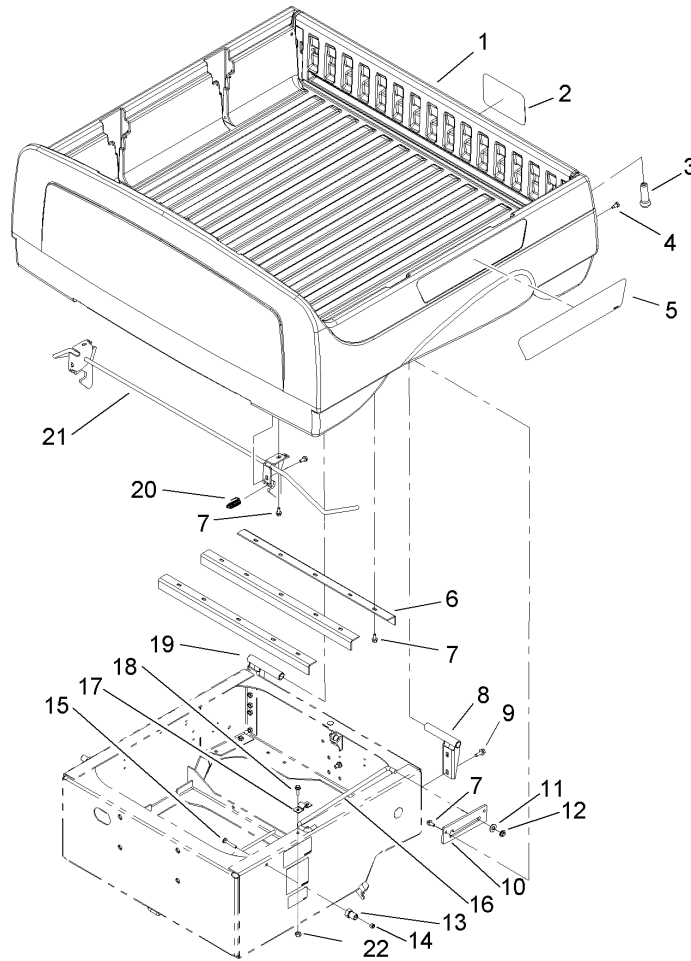
--	--	--	--



Steering Gearbox Assembly No. 99-7660

Ref	Part No.	Qty.	Description
1	94-2135	1	Gasket
2	32144-10	4	Screw-HWH
3	103118	1	Seal
4	99-7843	1	Sector-Gear
5	3256-42	1	Washer-Flat
6	251-82	2	Bearing-Ball
7	94-2218	1	Spacer-Shaft, Output
8	104-6563	1	Washer-Stepped
9	104-7156	1	Screw-HHF
10	38-7820	2	Bearing-Ball
11	94-2217	1	Spacer-Shaft, Input
12	1-613235	1	Washer
13	98-3498	1	Screw-HH
14	302-5	1	Fitting-Grease
15	99-7656-03	1	Cover-Housing, Steering
16	99-7658	1	Housing-Steering
18	99-7650	1	Gear-Pinion
19	99-7657	1	Seal-Oil
20	99-7601-03	1	Arm-Pitman

--	--	--	--



Box and Tailgate Installation Assembly

Ref	Part No.	Qty.	Description
1	104-7204	1	Box And Tailgate ASM
2	104-7213	1	Decal
3	99-7984	2	Knob-Soft Grip, Push-On
4	87-8460	2	Bumper-Rubber
5	104-7265	2	Decal
6	99-7864-03	3	Brace-Box
7	3234-5	18	Screw
8	99-7308-03	1	LH Pivot Bracket ASM
9	3234-11	4	Screw-HHF
10	99-7894	1	Bracket-Rod, Prop
11	3256-26	1	Washer-Flat
12	32112-14	1	Nut-Push
13	104-7248	2	Pin-Latch
14	3296-29	2	Nut-Lock, NI
15	3230-7	2	Screw-CARR
16	99-7895	1	Rod-Prop
17	99-7896	1	Bracket-U, Prop Rod
18	3234-17	2	Screw-HHF
19	99-7309-03	1	RH Pivot Bracket ASM
20	5-7290	2	Spring-Tension
21	104-7244	1	Rod-Latch
22	104-8300	2	Nut-Flange, NI

Attachments and Accessories

For 07280 - Workman e2050 Utility Vehicle

Product Name	Model/Part
Stand Alone Windshield Kit 07221
Electric Bed Lift Kit 07260
Rear Lift Kit 07261
Roll-Over Protection System 07276
Receiver Hitch Kit 07278
Heavy-Duty Bumper Kit 07282
12V Converter Kit 07286
Stake Side Kit 07290
Cab 07291
Folding Windshield Kit 07293
Windshield Kit 07294
Heavy-Duty Brushguard and Bumper Kit 07296
Canopy Kit 07297
Tire 104-7289
Brake and Signal Light Kit 107-8020
Vinyl Enclosure 79979

NOTES

NOTES

