



## CCR™ Powerlite® Snowthrower

Model No. 38182 - 250010001 and up.

### Parts Catalog

---

#### Ordering Replacement Parts

To order replacement parts, please supply the part number, the quantity, and the description of each part desired.

#### Understanding Reference Numbers

Each Identified part in an illustration has a reference number. The reference number for a part also appears in the parts list, along with other information about the part.

This catalog uses two special reference number formats, one to indicate parts in a service assembly and another to indicate the quantity of a given part in an illustration.

#### Service Assembly Reference Numbers

Parts in service assemblies have reference numbers in the form a:b. The a represents the reference number of the entire service assembly and the b represents a sequential number unique to each part within the service assembly.

For example, a wheel assembly might be identified by reference number 6, the tire by 6:1, the valve by 6:2, and the wheel by 6:3. When you order the assembly identified by reference number 6, you receive all parts identified by reference numbers 6:1, 6:2, and 6:3. However, you may also order any part individually. Reference numbers of this type appear in illustrations and in part lists.

#### Reference Numbers Indicating Quantity

In an illustration, if a reference number indicates more than one part, the reference number has the form nX y. The n represents the quantity of the part, the X is the multiplication symbol, and the y represents the reference number.

For example, in an illustration, the reference number 2X 37 means that two of the parts identified by reference number 37 are indicated.

## Contents

Description	Page	Description	Page
Impeller Drive Assembly	..... 3	Carburetor Assembly No. 640086 Tecumseh	
Housing, Upper Shroud, and Chute Assembly	..... 4	Hsk635 Type 1723c	..... 9
Impeller Assembly	..... 5	Engine Assembly Tecumseh No. Hsk635	..... 10
Engine, Side Plate and Wheel Assembly	..... 6	1723c	
120 Volt Starter Assembly No. 105-2953	..... 7	Recoil Starter Assembly No. 590743	
Handle and Lower Shroud Assembly	..... 8	Tecumseh Hsk635 Type 1723c	..... 12
		Recoil Starter Assembly No. 590712 (Optional)	
		Tecumseh Hsk635 Type 1723c	..... 13

## Part Description Abbreviations

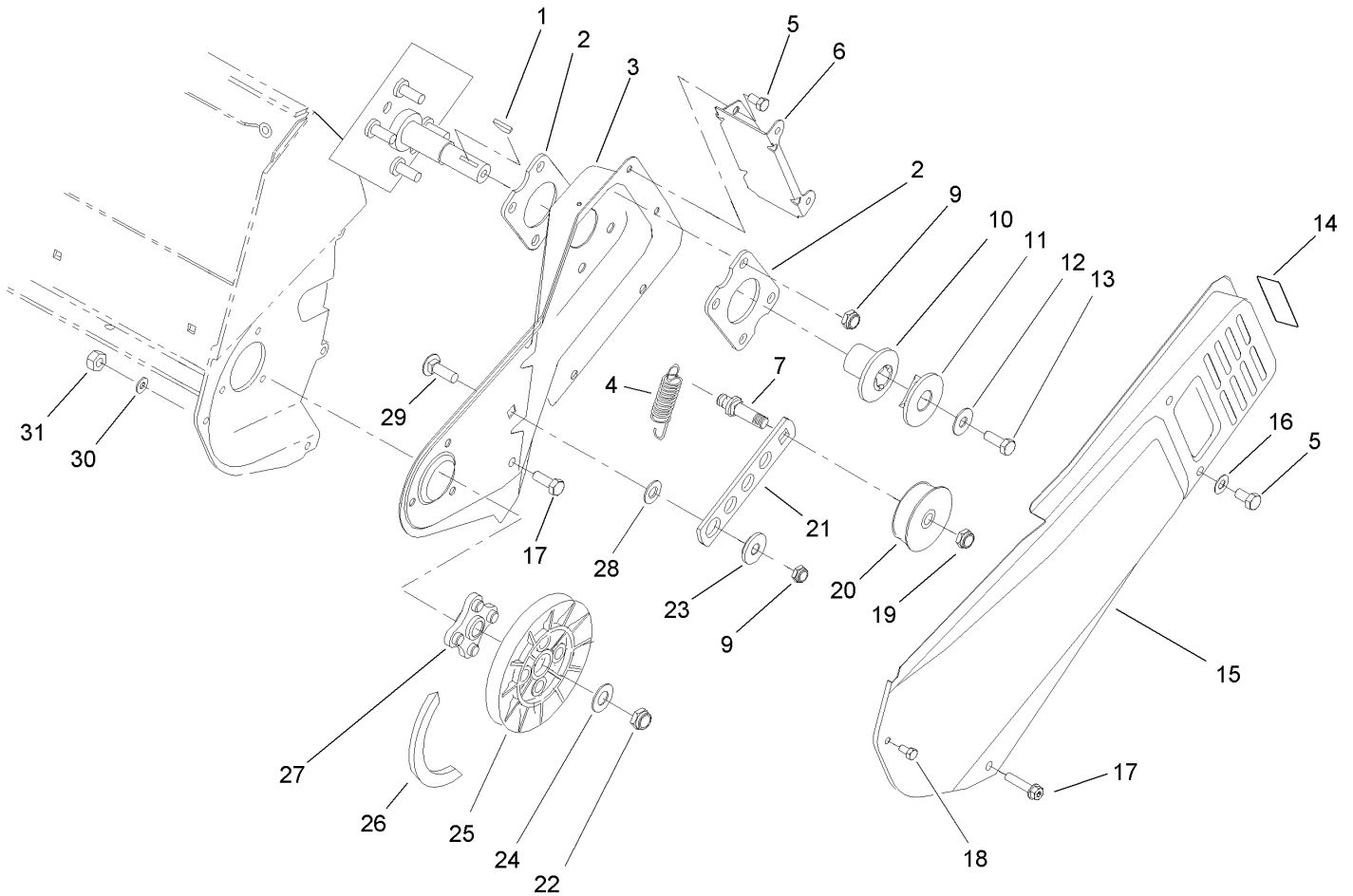
Part descriptions in this catalog may include the following abbreviations.

AR. .... as required	INC. .... incorporated
ASM. .... assembly	LH. .... left hand
CARR. .... carriage	NI. .... nylon insert
DEG. .... degrees	PPH. .... phillips pan head
FH. .... flat head	PTH. .... phillips truss head
GA. .... gauge	PTO. .... power take off
HF. .... hex flange	RH. .... right hand
HH. .... hex head	SFH. .... slotted fillister head
HHF. .... hex head flange	SHH. .... slotted hex head
HHFTF. .... hex head flange thread forming	SHWH. .... slotted hex washer head
HJ. .... hex jam	SPH. .... slotted pan head
HLH. .... hex lag head	SQH. .... square head
HOC. .... height-of-cut	SRH. .... slotted round head
HS. .... hex	STD. .... standard
HSBH. .... hex socket button head	TAP. .... self tapping
HSFH. .... hex socket flat head	TTH. .... torx truss head
HSH. .... hex socket head	WH. .... wing head
HWH. .... hex washer head	
HWHTF. .... hex washer head thread forming	
HYD. .... hydraulic	

## Footnotes

❶ Not illustrated

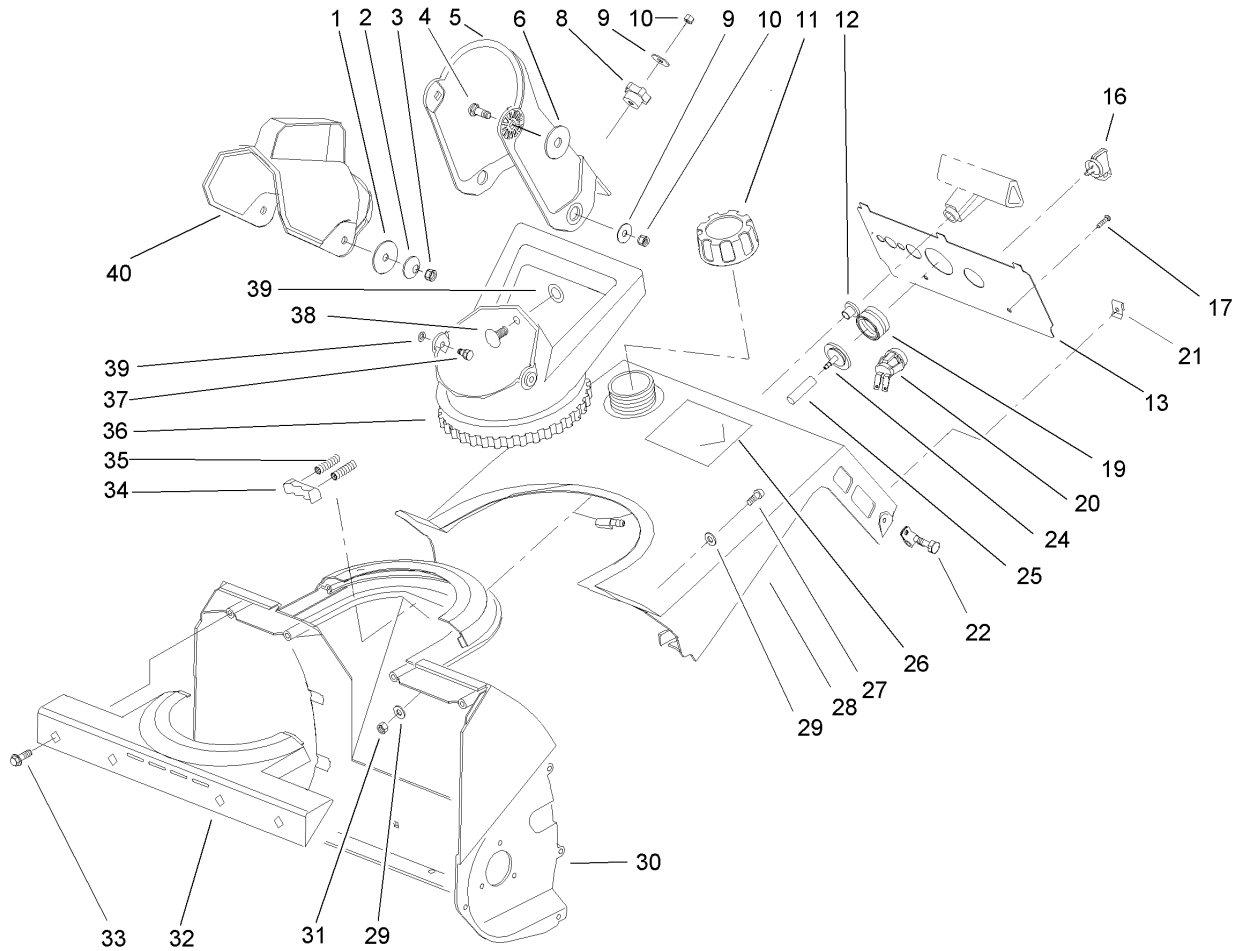
❷ Not serviced separately



## Impeller Drive Assembly

Ref	Part No.	Qty.	Description
1	3257-3	1	Key-Woodruff
2	71-5290-03	2	Plate-Engine
3	95-7945-03	1	Sideplate-LH
4	75-9020	1	Spring-Extension
5	32144-4	4	Screw-HWH
6	75-8870-03	1	Bracket-Cover, Belt
7	75-8720	1	Pin-Idler
9	3296-29	5	Nut-Lock, NI
10	71-5050	1	Hub-Half Sheave
11	71-5060	1	Cap-Half Sheave
12	3256-71	1	Washer-Flat
13	3235-6	1	Screw-HH
14	104-2767	1	Decal-Warning, Hot Surface
15	75-8830-03	1	Cover-Belt
16	3256-1	2	Washer-Flat
17	46-8094	3	Screw-Plastite
18	32105-23	1	Screw
19	3296-59	1	Nut-Lock, NI
20	71-5260	1	Pulley-Idler
21	75-9050	1	Arm-Idler
22	3296-38	1	Nut-Lock NI
23	75-8700	1	Bushing-Idler
24	3256-25	1	Washer-Flat
25	75-8750	1	Pulley-Driven

Ref	Part No.	Qty.	Description
26	75-9010	1	V-Belt
27	75-8740	1	Hub
28	25-5640	1	Washer
29	3230-23	1	Screw-CARR
30	3256-14	1	Washer-Flat
31	3296-2	1	Nut-Lock

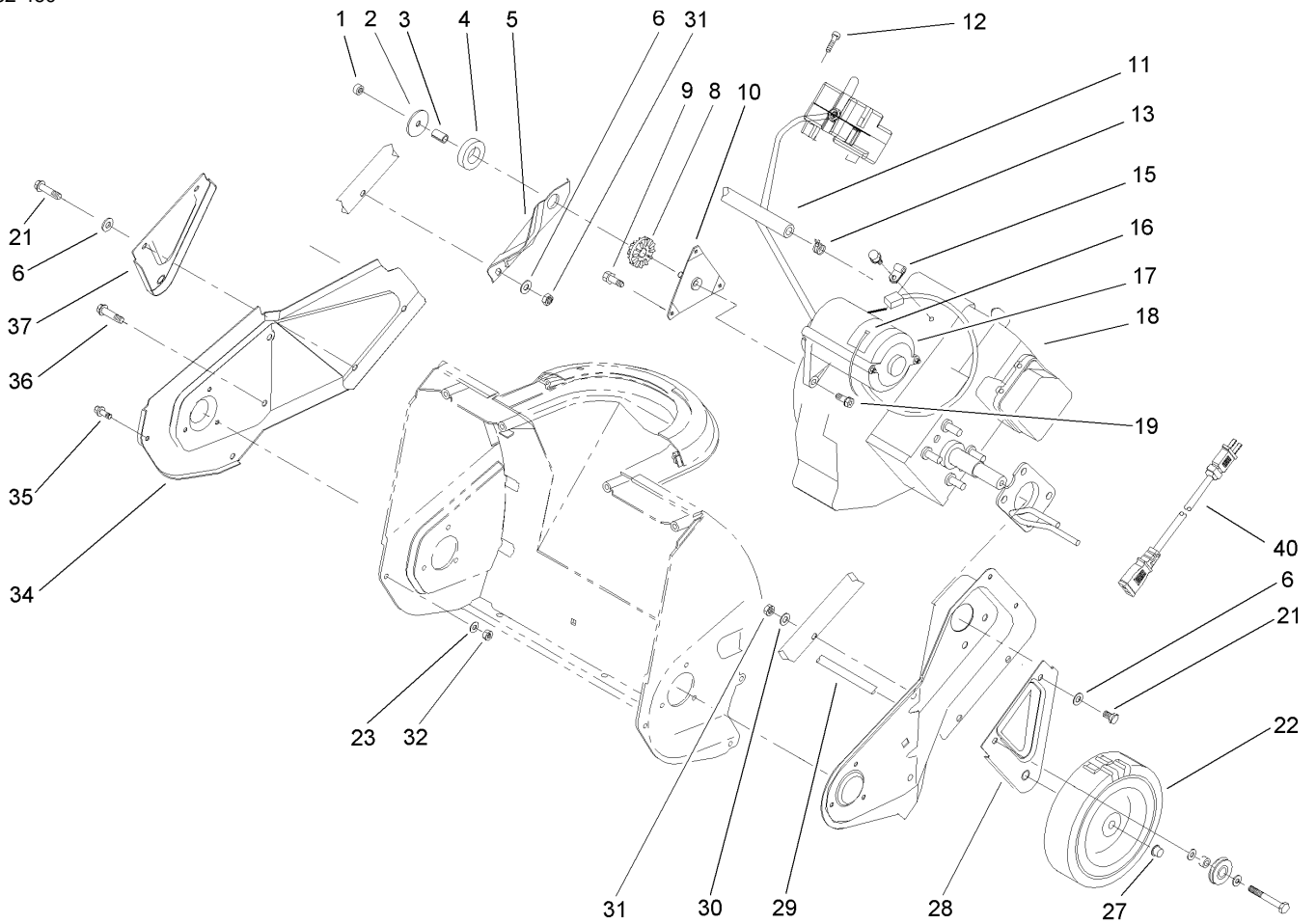


## Housing, Upper Shroud, and Chute Assembly

Ref	Part No.	Qty.	Description
1	3256-68	2	Washer-Flat
2	3290-340	2	Washer-Belleville
3	3296-29	2	Nut-Lock, NI
4	3230-2	2	Bolt-CARR
5	104-2764	1	Chute
6	95-1905	2	Washer-Rubber
8	233-67	1	Knob-Chute
9	3256-81	2	Washer-Flat
10	3296-56	2	Nut-Lock, NI
11	104-4133	1	Gas Cap ASM
12	23-7470	1	Guide-Starter Rope
13	104-4940	1	Control Panel-Silkscreened
14	92-4853	1	Handle-Starter
16	63-8360	1	Key-Ignition
17	32144-53	2	Screw-SHWH
19	66-7460	1	Bulb-Primer
20	40-5940	1	Switch-On/off
21	49-1490	2	Nut
22	32144-89	2	Screw-Forming, Thread
24	44-2750	1	Body-Primer
25	44-3173	1	Hose-Primer
26	108-5082	1	Decal-Shroud, Ccr Powerlite Elec. Start
27	3250-32	2	Screw-PPH

Ref	Part No.	Qty.	Description
28	105-2994	1	Shroud-Tank, Gas Upper
29	3256-1	4	Washer-Flat
30	75-8660	1	Housing
31	3296-42	2	Nut-Lock, NI
32	75-8650	1	Retainer-Chute
33	46-8094	4	Screw-Plastite
34	75-9160	1	Detent-Chute
35	75-9170	2	Spring-Compression
36	75-8670	1	Handle-Chute
37	321-3	2	Screw-HH
38	3229-11	1	Screw-CARR
39	32115-15	3	Pushnut-Retainer, Bolt
40	75-8770	1	Deflector-Chute

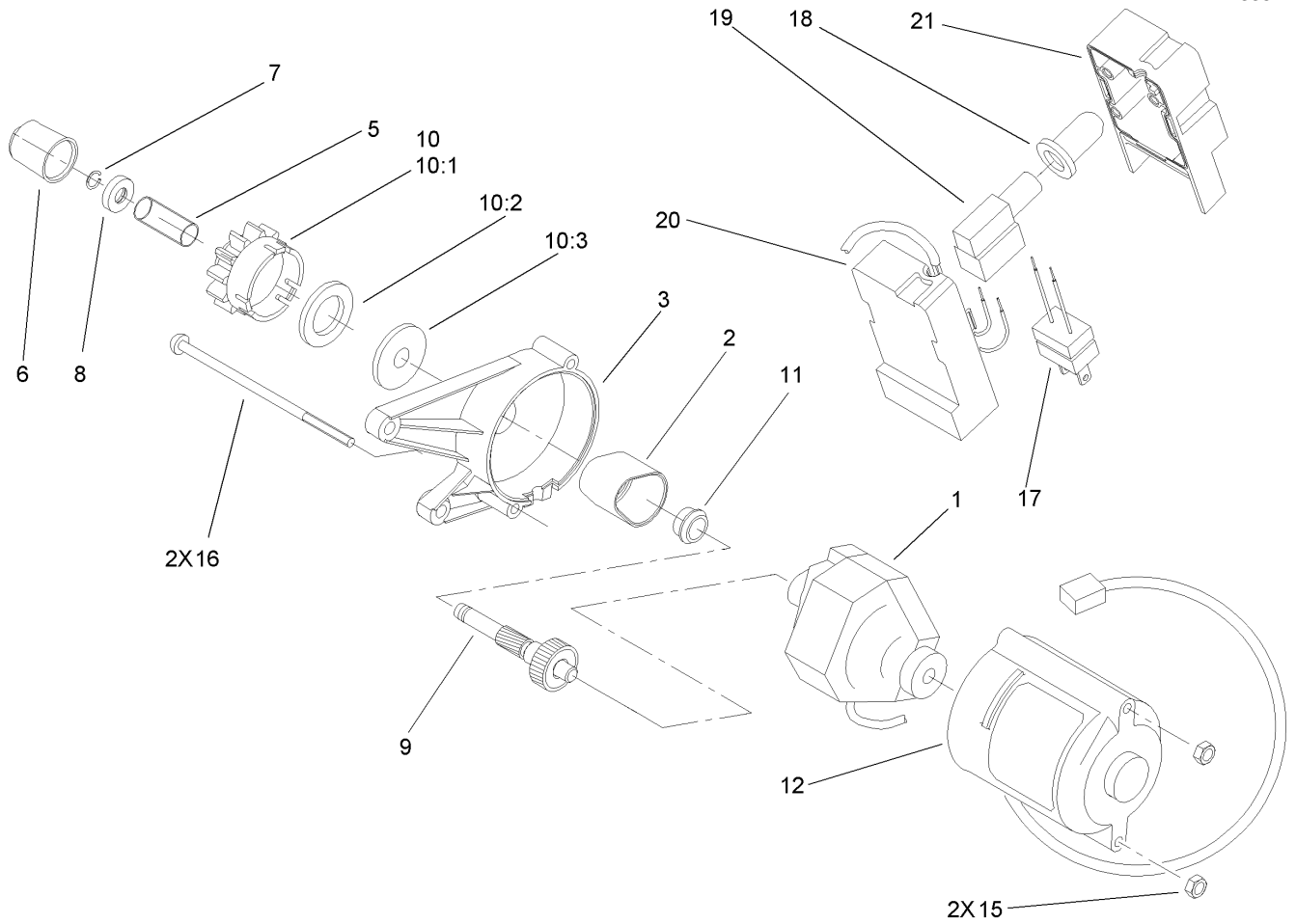




## Engine, Side Plate and Wheel Assembly

Ref	Part No.	Qty.	Description
1	3296-56	1	Nut-Lock, NI
2	3256-58	1	Washer-Flat
3	80-0650	1	Spacer-Tubular
4	95-1903	1	Ring-Isolator
5	75-8980-03	1	Bracket-Support, Engine
6	3256-1	6	Washer-Flat
8	75-9100	1	Bushing-Isolator
9	94-2789	3	Screw
10	92-6012	1	Bracket/stud ASM
11	49-2483	1	Line-Gas
12	32144-27	3	Screw-Plastite
13	2412-98	2	Clamp
15	2412-91	1	Clamp
16	250-7	1	Tie-Cable
17	105-2953	1	Starter ASM (120 Volt)
18		1	Engine-Tecumseh, Hsk635-1723c
19	80-0700	2	Screw
21	321-10	4	Screw-HH
22	23-3250	2	Wheel
23	3256-14	1	Washer-Flat
27	3290-320	2	Retainer-Push On
28	75-8910-03	1	Bracket-Wheel, LH
29	27-0062	1	Axle
30	3-7501	2	Washer

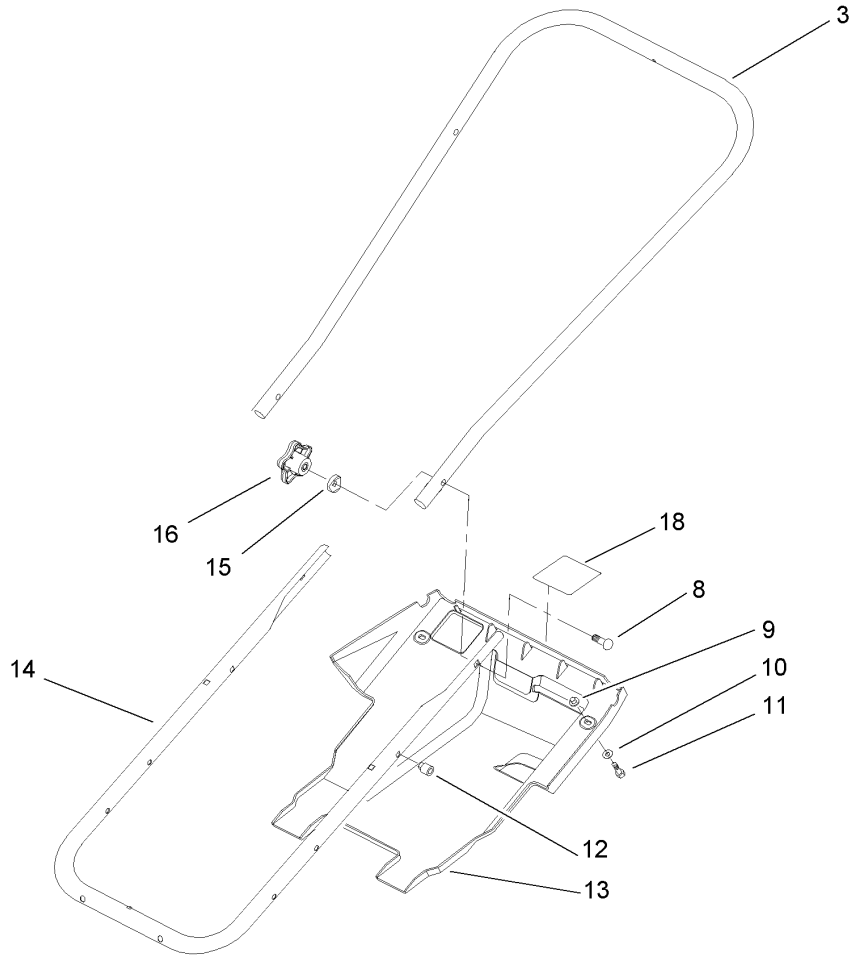
Ref	Part No.	Qty.	Description
31	3296-42	4	Nut-Lock, NI
32	3296-2	1	Nut-Lock
34	75-8820-03	1	Plate-RH Side
35	32105-23	1	Screw
36	46-8094	3	Screw-Plastite
37	75-8900-03	1	Bracket-Wheel, RH
40	106-4741	1	Cord-Electric



## 120 Volt Starter Assembly No. 105-2953

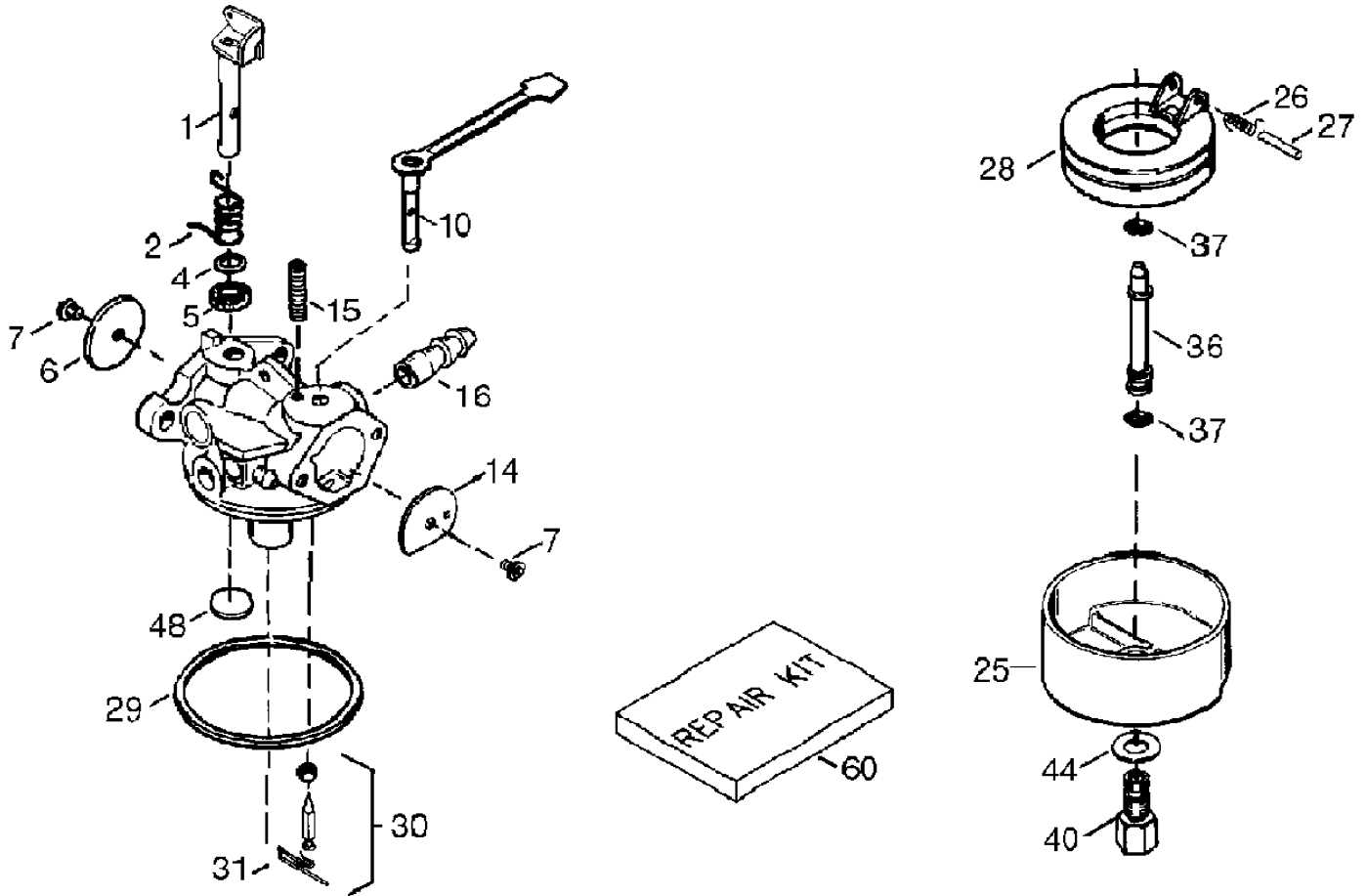
Ref	Part No.	Qty.	Description
1	70-7802	1	Starter Motor ASM
2	70-7850	1	Cover-Gear
3	100-3443	1	Housing-Upper Starter
5	61-4690	1	Spring
6	70-7890	1	Cap-Pinion
7	61-4680	1	Ring-Lock
8	100-2902	1	Stop-Pinion
9	105-8831	1	Shaft And Gear ASM
10	84-5240	1	Pinion ASM
10:1	70-7790	1	Nut
10:2	84-5230	1	Pinion
10:3	84-5440	1	Ring-Rubber
11	70-7900	1	Bushing
12	100-3444	1	Housing-Lower Starter
15	3296-2	2	Nut-Lock
16	32144-101	2	Screw
17	94-9933	1	Plug-Power
18	61-4810	1	Boot-Switch
19	61-4820	1	Switch-Starter
20	100-3441	1	Switch-Base, Housing
21	100-3442	1	Housing-Cap, Switch

--	--	--	--



## Handle and Lower Shroud Assembly

Ref	Part No.	Qty.	Description				
3	75-9070-03	1	Handle-Upper				
8	92-2260	2	Screw-Handle				
9	605120	2	Nut-Clip				
10	3256-14	2	Washer-Flat				
11	32144-34	2	Screw-Forming, Thread				
12	32115-17	2	Nut-Expansion				
13	75-8790	1	Shroud				
14	75-9060-03	1	Tube-Frame				
15	107-3844	2	Washer				
16	106-4161	2	Knob-Handle				
18	61-4790	1	Decal				



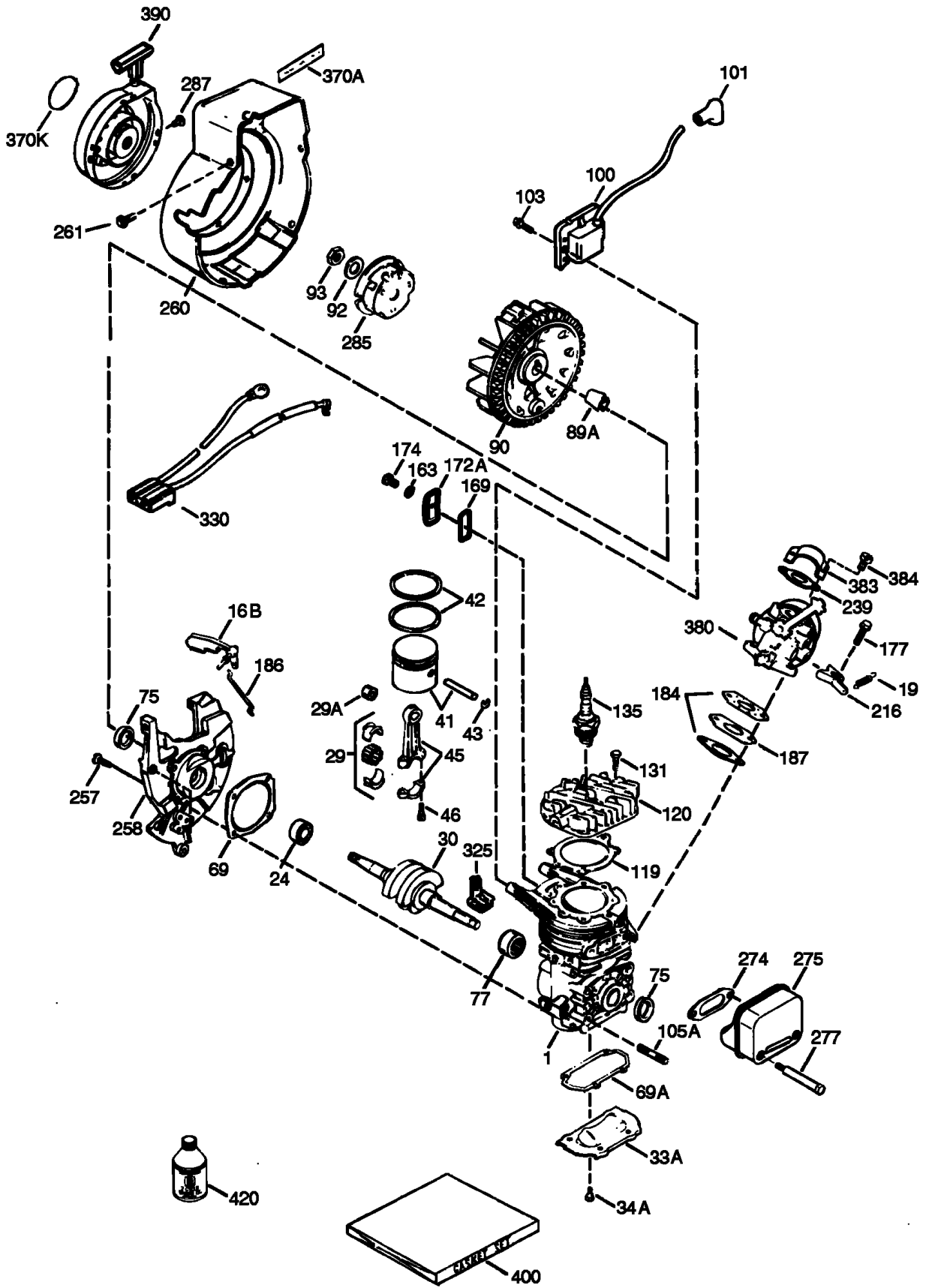
## Carburetor Assembly No. 640086 Tecumseh Hsk635 Type 1723c

Ref	Part No.	Qty.	Description
0	640086A	1	Carburetor (Incl. 184 Of Engine Parts List)
1	632166A	1	Throttle Shaft And Lever Assembly
2	632169	1	Spring-Trottle, Return
4	631184	1	Washer-Dust Seal
5	631183	1	Seal-Dust
6	631616	1	Throttle-Shutter
7	650506	2	Screw-Shutter
10	632553	1	Choke Shaft And Lever Assembly
14	31837	1	Shutter-Choke
15	630735	1	Spring-Positioning, Choke
16	632164	1	Fitting-Fuel
25	631867	1	Bowl-Float
26	632386	1	Spring-Float, Dampening
27	631024	1	Shaft-Float
28	632019	1	Float
29	631028	1	O-Ring-Float Bowl
30	631021	1	Inlet Needle, Seat & Clip (Incl. 31)
31	631022	1	Clip-Spring
36	640080	1	Tube-Nozzle, Main
37	632547	2	O-Ring, Main Nozzle Tube
40	640301	1	Nut-Bowl, High Speed
44	27110A	1	Bowl Nut Washer
48	631027	1	Welch Plug, Vent

Ref	Part No.	Qty.	Description
60	632760	1	Repair Kit

# Engine Assembly

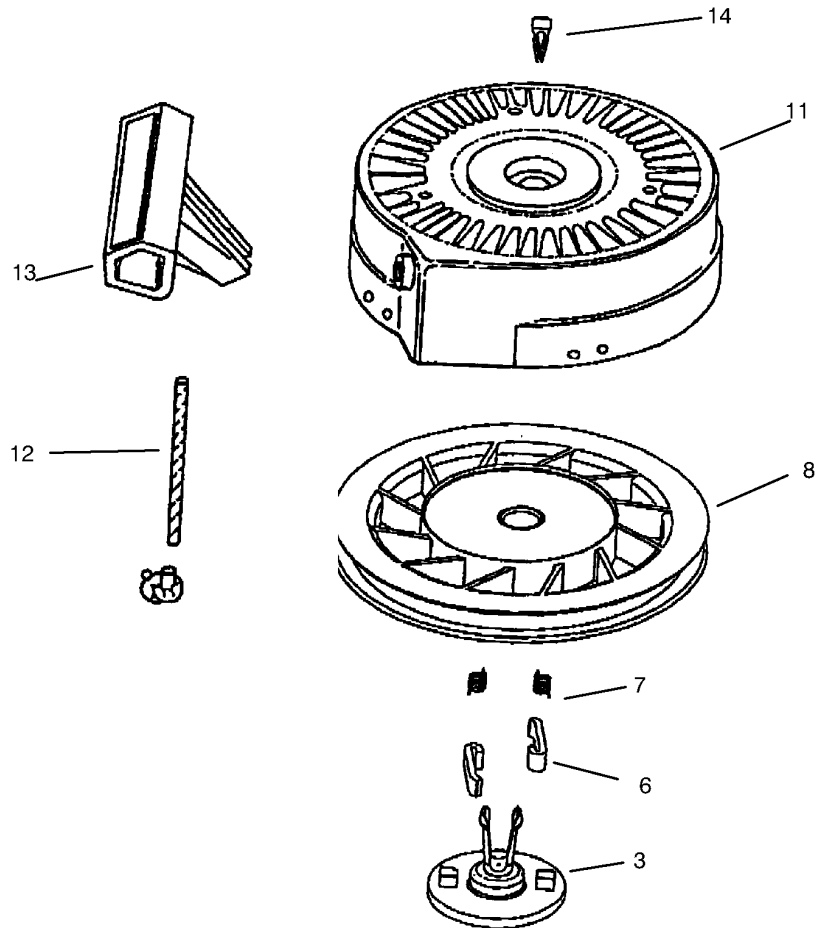
## Tecumseh No. Hsk635 1723c



# Engine Assembly

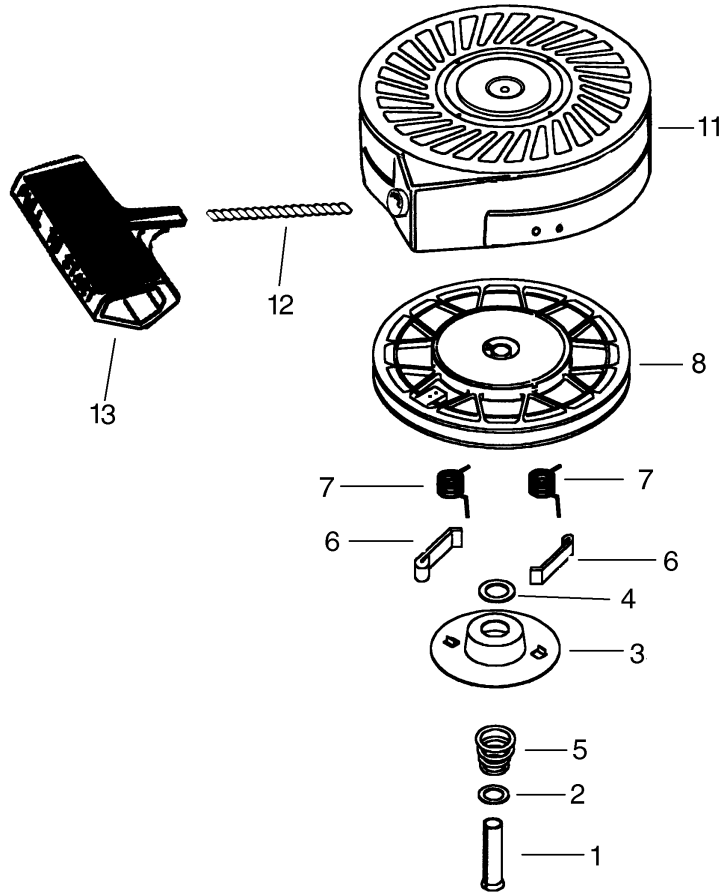
## Tecumseh No. Hsk635 1723c

Ref	Part No.	Qty.	Description	Ref	Part No.	Qty.	Description
1	0	1	Cylinder	325	29443	1	Clip-Wire
16B	490291A	1	Vane-Air	330	611131A	1	Harness-Wire
19	570707	1	Spring-Extention	370A	36261	1	Decal-Lubrication
24	530110	1	Bearing-Ball	370K	36695	1	Decal-Starter
29	530150	1	Needle Bearing And Liner Set (37 Needles)	380	640086A	1	Carburetor
29A	530104A	1	Bearing-Cartridge	383	570434	1	Baffle-Carburetor
30	290602	1	Crankshaft	384	650431	2	Screw, T-25, 10-32 X 5/8"
33A	570644	1	Plate-Cover	390	590743	1	Rewind Starter Assembly
34A	650579	4	Screw, T-25, 10-24 X 1/2"	400	510324B	1	Gasket Set
41	310283A	1	Piston & Pin ASM Piston & Pin Ass'y. (Incl. Ref. #43)	420	730227B	1	2-Cycle Oil (8 Oz.)
42	310289	2	Ring Set				
43	310167	2	Ring-Retaning				
45	310235B	1	Connecting Rod Ass'y. Piston & Pin ASM (Incl. Ref. #29, 29a, & 46)				
46	650633	2	Bolt-Rod, Connecting				
69	510292A	1	Gasket-Cover, Cylinder				
69A	510323A	1	Gasket-Plate, Cover				
75	510319	2	Seal-Oil				
77	530105	1	Bearing-Cartridge				
89A	611032	1	Sleve-Adapter				
90	611066	1	Flywheel				
92	650815	1	Washer-Belleville				
93	650390	1	Nut-Flywheel				
100	34443B	1	Solid State Ignition (Incl. Ref. #101)				
101	610118	1	Cover-Spark Plug				
103	651007	2	Screw, Torx T-15, 10-24 X 1in				
105A	650796	4	Stud				
119	510274A	1	Gasket-Cylinder Head				
120	250240B	1	Head-Cylinder				
131	650477	5	Screw, T-30, 1/4-20 X 3/4"				
135	611049	1	Plug-Spark, Resister (Rcj8y)				
163	650838	1	Washer				
169	510325A	1	Cover, Compression Release				
172A	570708	1	Cover-Compression Release				
174	650579	1	Screw, T-25, 10-24 X 1/2"				
177	650959	2	Screw, 5/32, 1/4-20 X 1"				
184	510326A	2	Gasket-Carburetor				
186	490322	1	Governor-Link				
187	570438A	1	Spacer				
216	570645	1	Lever-Adjusting, Rpm				
239	35815	1	Gasket-Air Cleaner				
257	650911	4	Screw, T-30, 1/4-20 X 5/8"				
258	350422	1	Blower Housing Base (Incl. Ref. #75)				
260	350437	1	Housing-Blower				
261	650737	4	Screw, 1/4-20 X 1/2"				
274	510207A	1	Gasket-Exhaust				
275	390332	1	Muffler (Incl. Ref. #274 And 277)				
277	650869	2	Screw, 1/4-20 X 2-3/4"				
285	590551A	1	Cup-Starter				
287	650926	3	Screw, 8-32 X 21/64in				



## Recoil Starter Assembly No. 590743 Tecumseh Hsk635 Type 1723c

Ref	Part No.	Qty.	Description				
0	590743	1	Rewind Starter Assembly				
3	590740	1	Retainer				
6	590616	2	Dog-Starter				
7	590617	2	Spring-Dog				
8	590645A	1	Pulley And Rewind Spring Assembly				
11	590643A	1	Starter Housing ASM				
12	590535	1	Rope-Starter (Length 98in X 9/64in Dia)				
13	590701	1	Handle-Starter				
14	590760	1	Clip-Spring				



## Recoil Starter Assembly No. 590712 (Optional) Tecumseh Hsk635 Type 1723c

Ref	Part No.	Qty.	Description
0	590712	1	Rewind Starter Assembly (Optional)
1	590599A	1	Spring Pin (Incl. Ref. #4)
2	590600	1	Washer
3	590696	1	Retainer
4	590601	1	Washer
5	590697	1	Spring-Brake
6	590698	2	Dog-Starter
7	590699	2	Spring-Dog
8	590709	1	Pulley And Rewind Spring ASM
11	590713	1	Starter Housing Assembly
12	590535	1	Rope-Starter (Length 98in X 9/64in Dia)
13	590701	1	Handle-Starter

--	--	--	--

## NOTES

## NOTES

