



## Mid-Size ProLine, T-Bar, Gear Drive with 48in Side Discharge Mower

Model No. 30140 - 250000001 and up.

### Parts Catalog

---

#### Ordering Replacement Parts

To order replacement parts, please supply the part number, the quantity, and the description of each part desired.

#### Understanding Reference Numbers

Each Identified part in an illustration has a reference number. The reference number for a part also appears in the parts list, along with other information about the part.

This catalog uses two special reference number formats, one to indicate parts in a service assembly and another to indicate the quantity of a given part in an illustration.

#### Service Assembly Reference Numbers

Parts in service assemblies have reference numbers in the form a:b. The a represents the reference number of the entire service assembly and the b represents a sequential number unique to each part within the service assembly.

For example, a wheel assembly might be identified by reference number 6, the tire by 6:1, the valve by 6:2, and the wheel by 6:3. When you order the assembly identified by reference number 6, you receive all parts identified by reference numbers 6:1, 6:2, and 6:3. However, you may also order any part individually. Reference numbers of this type appear in illustrations and in part lists.

#### Reference Numbers Indicating Quantity

In an illustration, if a reference number indicates more than one part, the reference number has the form nX y. The n represents the quantity of the part, the X is the multiplication symbol, and the y represents the reference number.

For example, in an illustration, the reference number 2X 37 means that two of the parts identified by reference number 37 are indicated.

# Contents

Description	Page	Description	Page
Engine and Fuel Tank Assembly	..... 3	Cooling Equipment Assembly Kawasaki Model FH430V-AS25	..... 19
Transmission and Drive Assembly	..... 4	Electric Equipment Assembly Kawasaki Model FH430V-AS25	..... 20
Wheel and Drive Assembly	..... 6	Control Equipment Assembly Kawasaki Model FH430V-AS25	..... 21
Upper Handle Assembly	..... 8	Carburetor Assembly Kawasaki Model FH430V-AS25	..... 22
Front Caster and Blade Brake Assembly	..... 9	Air Filter and Muffler Assembly Kawasaki Model FH430V-AS25	..... 23
Idler Pulley Assembly	..... 11	Fuel Tank and Fuel Valve Assembly Kawasaki Model FH430V-AS25	..... 24
Deck Assembly	..... 12	Starter Assembly Kawasaki Model FH430V-AS25	..... 25
Spindle Assembly	..... 13	Label Assembly Kawasaki Model FH430V-AS25	..... 26
Deflector Assembly No. 107-4140	..... 14	Attachments and Accessories List	..... 27
Cylinder and Crankcase Assembly Kawasaki Model FH430V-AS25	..... 15		
Piston and Crankshaft Assembly Kawasaki Model FH430V-AS25	..... 16		
Valve and Camshaft Assembly Kawasaki Model FH430V-AS25	..... 17		
Lubrication Equipment Assembly Kawasaki Model FH430V-AS25	..... 18		

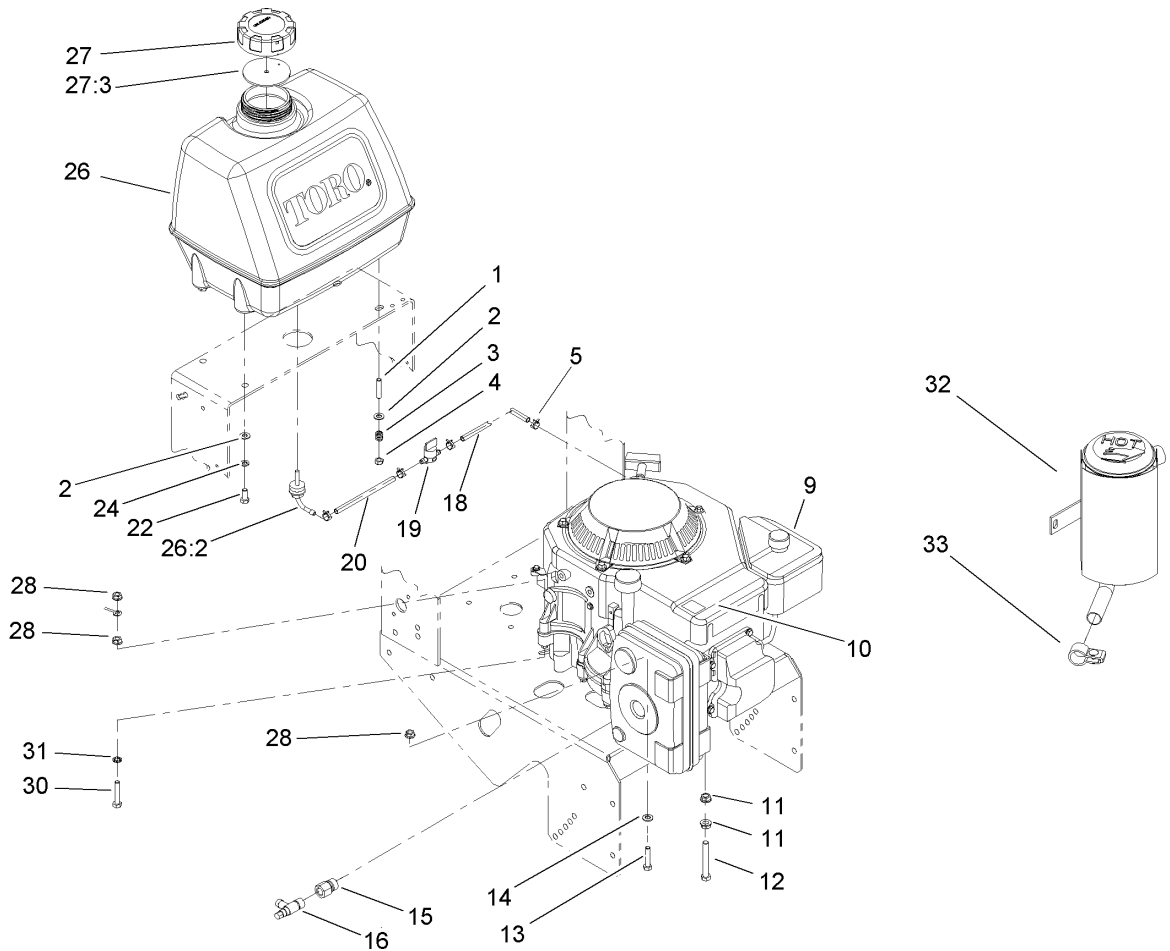
## Part Description Abbreviations

Part descriptions in this catalog may include the following abbreviations.

AR. .... as required	HYD. .... hydraulic
ASM. .... assembly	INC. .... incorporated
CARR. .... carriage	LH. .... left hand
DEG. .... degrees	NI. .... nylon insert
FH. .... flat head	PPH. .... phillips pan head
GA. .... gauge	PTH. .... phillips truss head
HF. .... hex flange	PTO. .... power take off
HH. .... hex head	RH. .... right hand
HHF. .... hex head flange	SFH. .... slotted fillister head
HHFTF. .... hex head flange thread forming	SHH. .... slotted hex head
HJ. .... hex jam	SHWH. .... slotted hex washer head
HLH. .... hex lag head	SPH. .... slotted pan head
HOC. .... height-of-cut	SQH. .... square head
HS. .... hex	SRH. .... slotted round head
HSBH. .... hex socket button head	STD. .... standard
HSFH. .... hex socket flat head	TAP. .... self tapping
HSH. .... hex socket head	TTH. .... torx truss head
HWH. .... hex washer head	WH. .... wing head
HWHTF. .... hex washer head thread forming	

## Footnotes

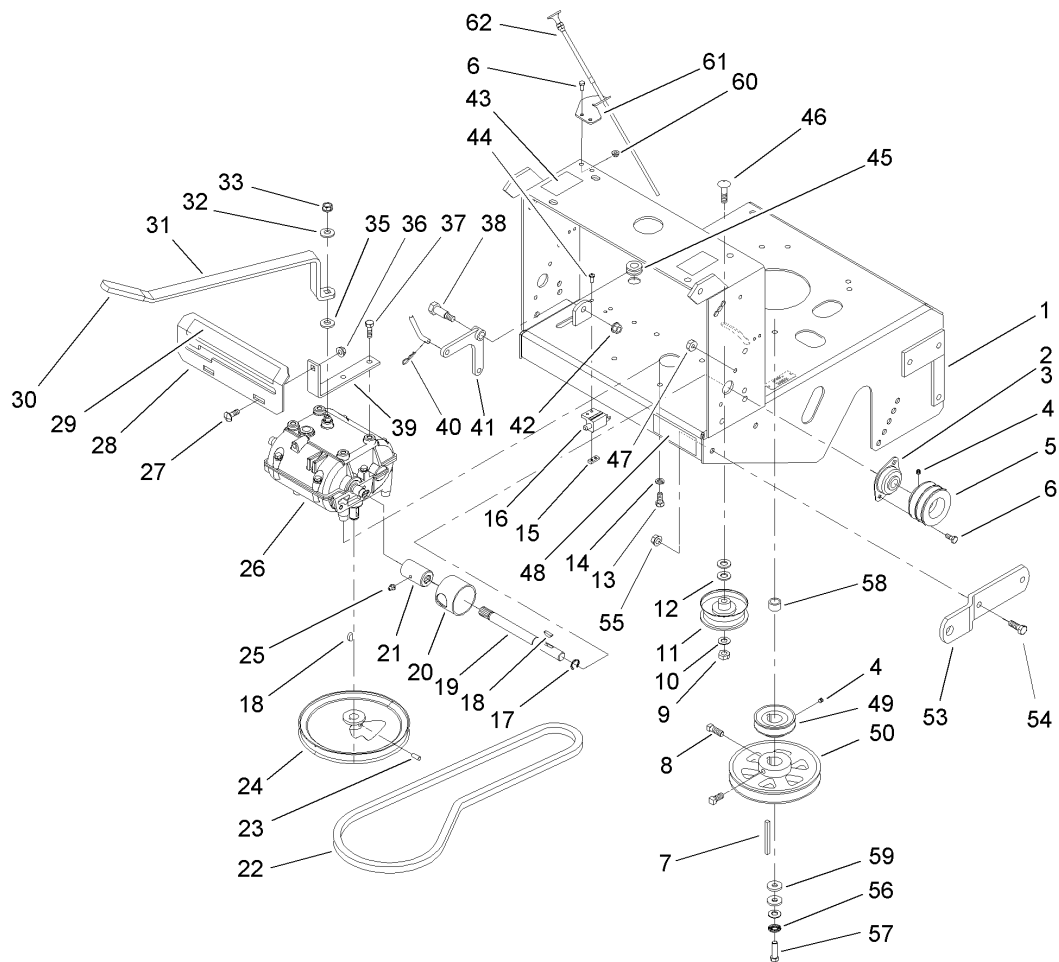
- |  |  |
|--|--|
| ❶ Not illustrated  | ❷ Not serviced separately                      |
| ❸ Obtain parts from Peerless Transmissions, model 700-070A | ❹ Obtain parts from your local Kawasaki dealer |



## Engine and Fuel Tank Assembly

Ref	Part No.	Qty.	Description
1	1-633023	2	Stud
2	3256-23	4	Washer-Flat
3	1-633349	2	Spring-Tank, Fuel
4	3296-47	2	Nut-Lock, NI
5	1-303077	5	Clamp
9		1	Engine-Kawasaki, Fh430v-As25
10	106-0699	1	Decal-Warning, Hot Surfaces
11	3290-357	2	Nut-HHF
12	323-13	1	Screw-HH
13	322-7	3	Screw-HH
14	1-303334	3	Washer-Spring
15	103-1966	1	Adapter
16	103-1965	1	Valve-Drain, Oil
18	1-303022	1	Hose-Fuel
19	1-603770	1	Valve-Fuel
20	1-603955	1	Hose-Fuel
22	322-3	2	Screw-HH
24	1-805005	2	Washer-Lock
26	106-0730	1	Fuel Tank ASM
26:2	103-2605	1	Fitting-Fuel, Bulkhead
27	88-3980	1	Gas Cap ASM
27:3	88-4010	1	Gasket-Cap, Gas
28	32128-20	5	Nut-HF
30	322-9	1	Screw-HH

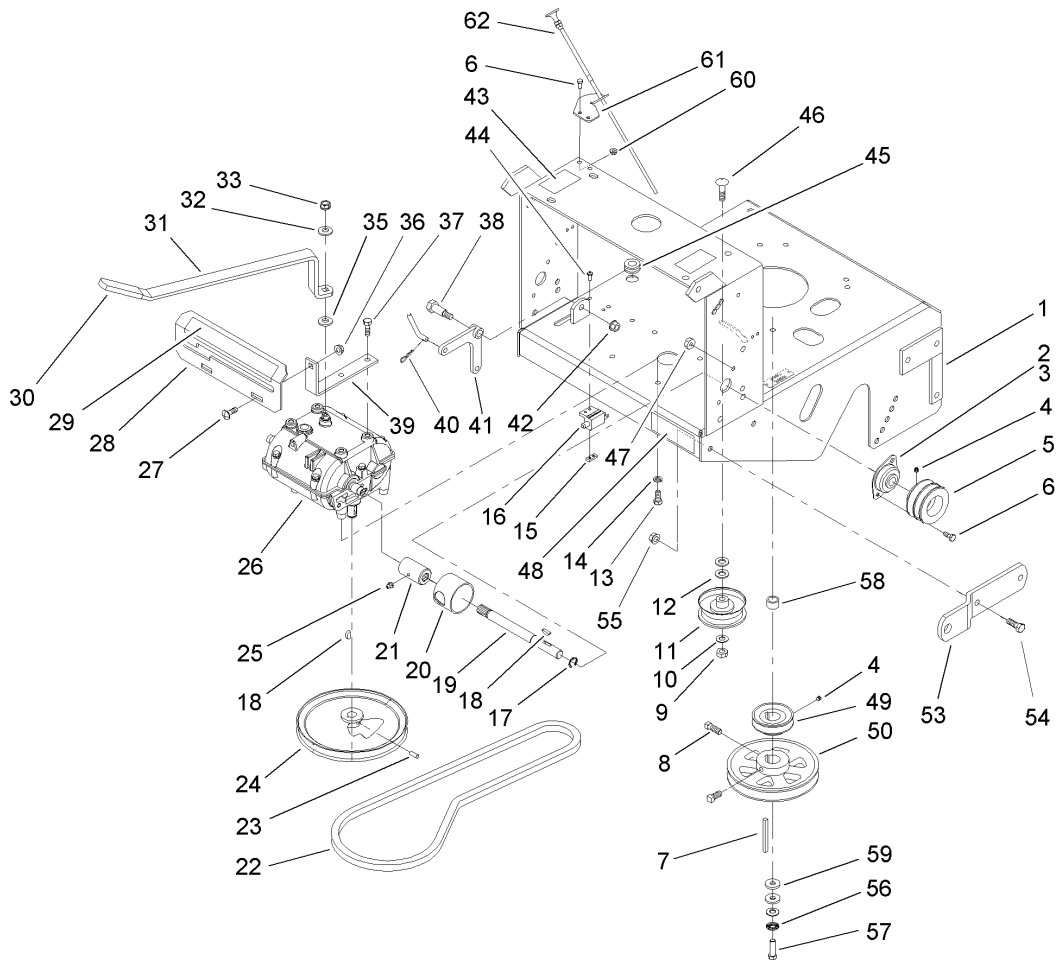
Ref	Part No.	Qty.	Description
31	3254-2	1	Washer-Lock, Int
32	100-6467	1	Muffler
33	103-5465	1	Clamp-Muffler
99	1-303287	1	Tie-Plastic
99	1-303335	1	Tie-Plastic



## Transmission and Drive Assembly

Ref	Part No.	Qty.	Description
1	103-2923-01	1	Frame-Deck, Rear
2	1-323252	2	Bearing-Shaft
3	1-323254	2	Flange-Output
4	1-803310	3	Screw-Set
5	103-6511	2	Sheave-Transmission
6	321-3	6	Screw-HH
7	103-4177	1	Key-Machine
8	3242-4	2	Screw-Set, SQH
9	3296-39	1	Nut-Lock, NI
10	3256-24	1	Washer-Flat
11	1-323285	1	Idler-Drive, Transmission
12	3256-5	2	Washer-Flat
13	322-3	4	Screw-HH
14	1-805005	4	Washer-Lock
15	1-633181	1	Plate-Tapped
16	1-513152	1	Switch-Closed, Normally
17	32151-62	2	Ring-Retaining
18	3257-5	3	Key-Woodruff
19	1-323502	2	Shaft-Transmission
20	51-4220	2	Guard-Coupler
21	1-323680	2	Coupler
22	1-323630	1	V-Belt
23	3245-41	2	Screw-HSH
24	1-323278	1	Sheave-Transmission

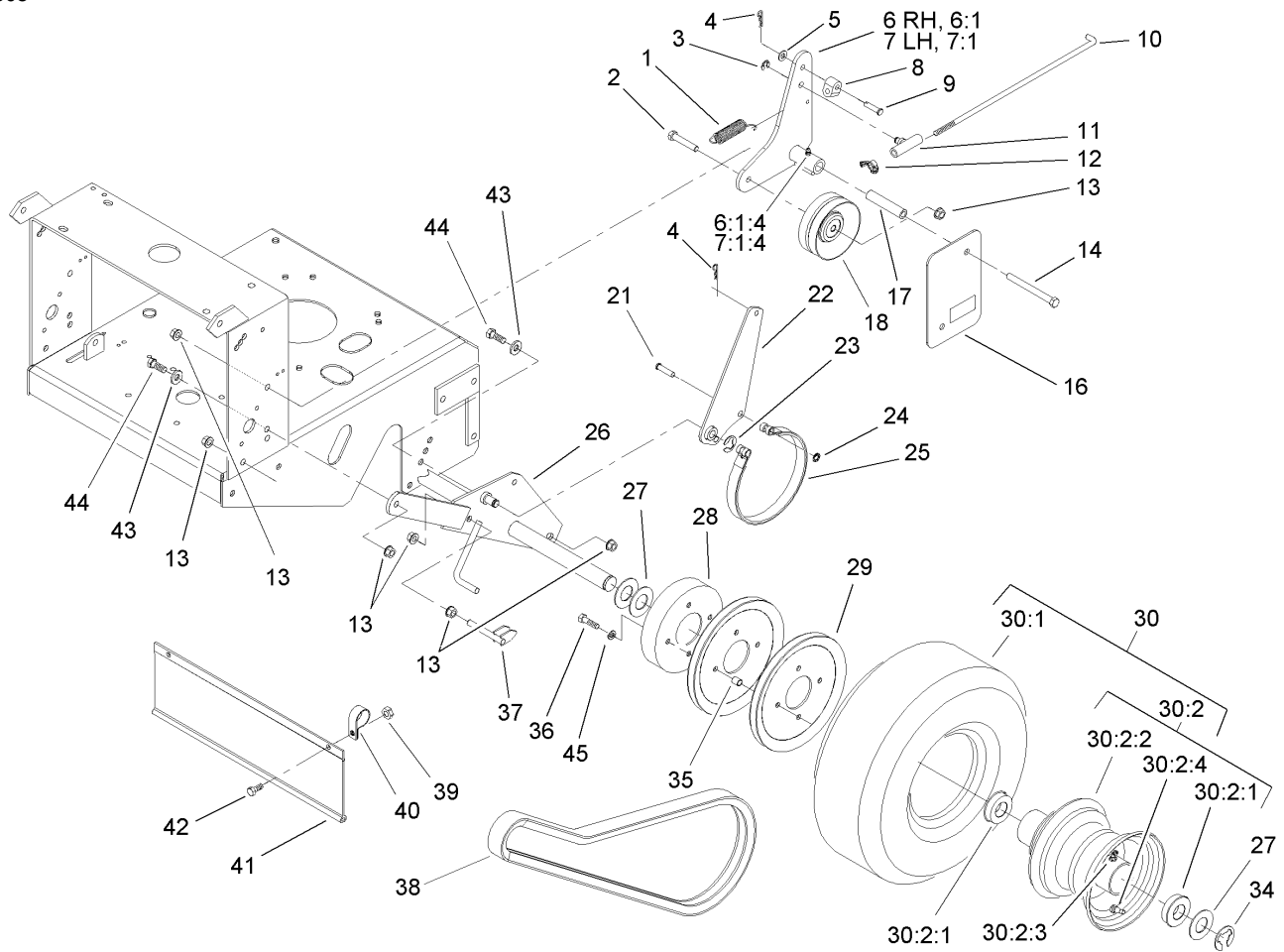
Ref	Part No.	Qty.	Description
25	302-19	2	Fitting-Grease
26	1-323500	1	Transmission
27	3230-1	2	Bolt-CARR
28	1-323387-03	1	Plate-Shift
29	98-3256	1	Decal-Speed, Ground
30	1-303020	1	Grip-Lever
31	98-3274-03	1	Lever-Shift
32	98-5975	1	Washer-Belleville
33	3296-6	1	Nut-Lock
35	1-323379	1	Washer
36	32128-20	2	Nut-HF
37	9264964	4	Screw-Hwh, Thread Cut
38	1-603403	1	Bolt-Shoulder
39	1-323389-03	2	Bracket-Plate, Shift
40	1-806003	1	Pin-Hair
41	1-303186	1	Bellcrank
42	3290-357	1	Nut-HHF
43	95-2814	1	Decal-Shut Off, Fuel
44	3290-500	2	Screw-PPH
45	1-543296	1	Grommet
46	3231-6	1	Screw-CARR
47	3296-42	4	Nut-Lock, NI
48	98-0776	1	Decal-Caution
49	103-1666	1	Sheave-Transmission



## Transmission and Drive Assembly (continued)

Ref	Part No.	Qty.	Description
50	1-403160	1	Sheave
53	1-323318-01	2	Hitch-Sulky
54	323-6	4	Screw-HH
55	3290-357	4	Nut-HHF
56	1-603610	2	Washer-Spring
57	3212-6	1	Screw-HH
58	1-633453	1	Spacer-Clutch
59	1-373034	2	Washer
60	32128-33	2	Nut-HF
61	103-1797-01	1	Bracket-Cable, Choke
62	103-1796	1	Cable-Choke

--	--	--	--

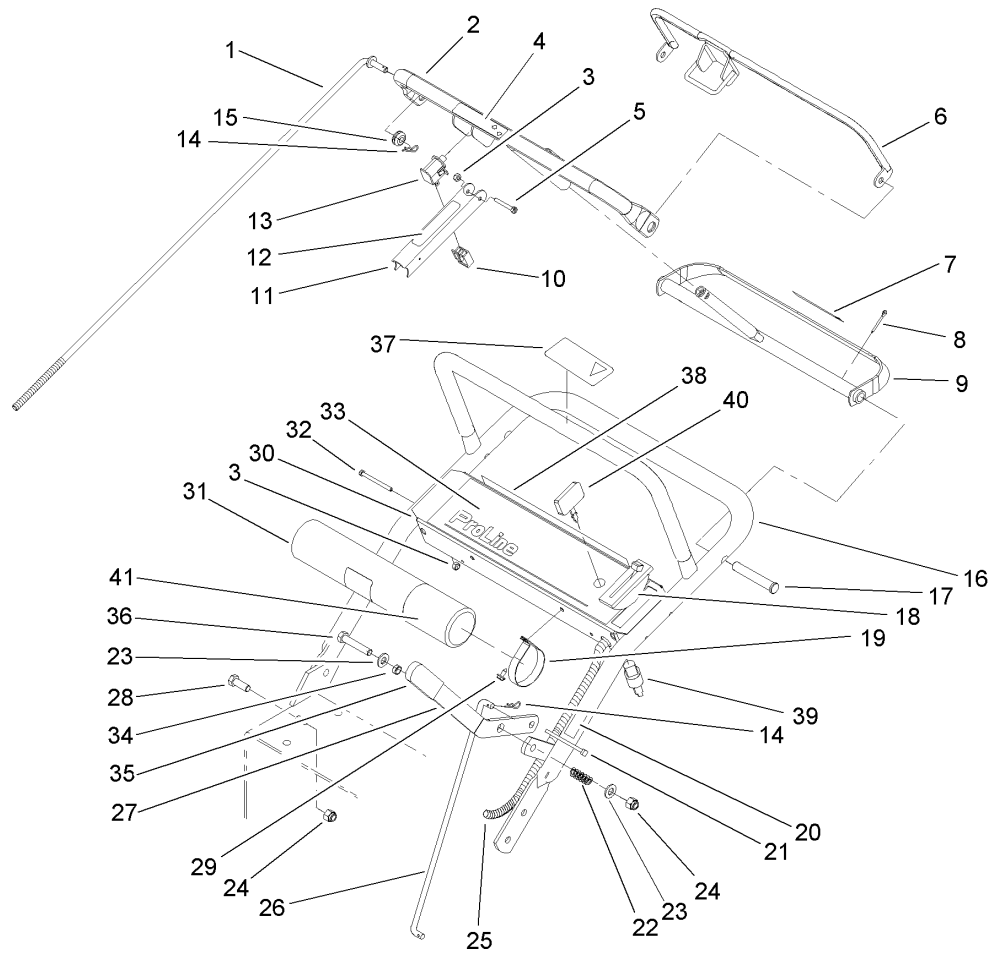


## Wheel and Drive Assembly

Ref	Part No.	Qty.	Description
1	98-3273	2	Spring-Extension
2	323-10	2	Screw-HH
3	32151-47	2	Ring-Retaining
4	1-806003	4	Pin-Hair
5	3256-23	2	Washer-Flat
6	104-1321-03	1	RH Idler Arm ASM
6:1		1	RH Idler Arm ASM
6:1:4	302-19	1	Fitting-Grease
7	104-1322-03	1	LH Idler Arm ASM
7:1		1	LH Idler Arm ASM
7:1:4	302-19	1	Fitting-Grease
8	74-0521	2	Fitting-Rod
9	283-6	2	Pin-Clevis
10	1-323296	2	Rod-Brake
11	1-322125	2	Swivel-Brake
12	1-513959	2	Wingnut-Nylock
13	3290-357	14	Nut-HHF
14	323-16	4	Screw-HH
16	98-5131-01	2	Shield-Wheel, Drive
17	1-323694	4	Spacer-Shield
18	1-323634	2	Idler-Drive, Wheel
21	1-323307	4	Pin-Clevis
22	1-322209-03	2	Arm-Brake
23	32120-47	2	Ring-Retaining, External

Ref	Part No.	Qty.	Description
24	1-803051	4	Nut-Push
25	1-323595	2	Band-Brake
26	1-322212-03	1	Axle ASM
27	1-523157	6	Washer-Spacer
27	1-543436	8	Washer-Spacer
28	1-323261	2	Drum-Brake
29	1-323253	4	Sheave-Wheel, Drive
30	1-323719	2	Wheel And Tire ASM
30:1	1-323720	1	Tire-Turfmaster
30:2	1-323328	1	Wheel And Hub ASM
30:2:1	1-323329	2	Bearing-Flanged
30:2:2		1	Rim ASM
30:2:3		1	Fitting-Grease
30:2:4		1	Stem-Valve
34	1-808519	2	Ring-Snap
35	1-323260	8	Spacer-Sheave, Wheel
36	322-6	8	Screw-HH
37	1-412358	2	Scraper
38	1-323631	2	V-Belt
39	3296-29	2	Nut-Lock, NI
40	2412-104	2	R-Clamp
41	98-3259	1	Shield-Trailing
42	322-3	2	Screw-HH
43	98-5975	4	Washer-Belleville

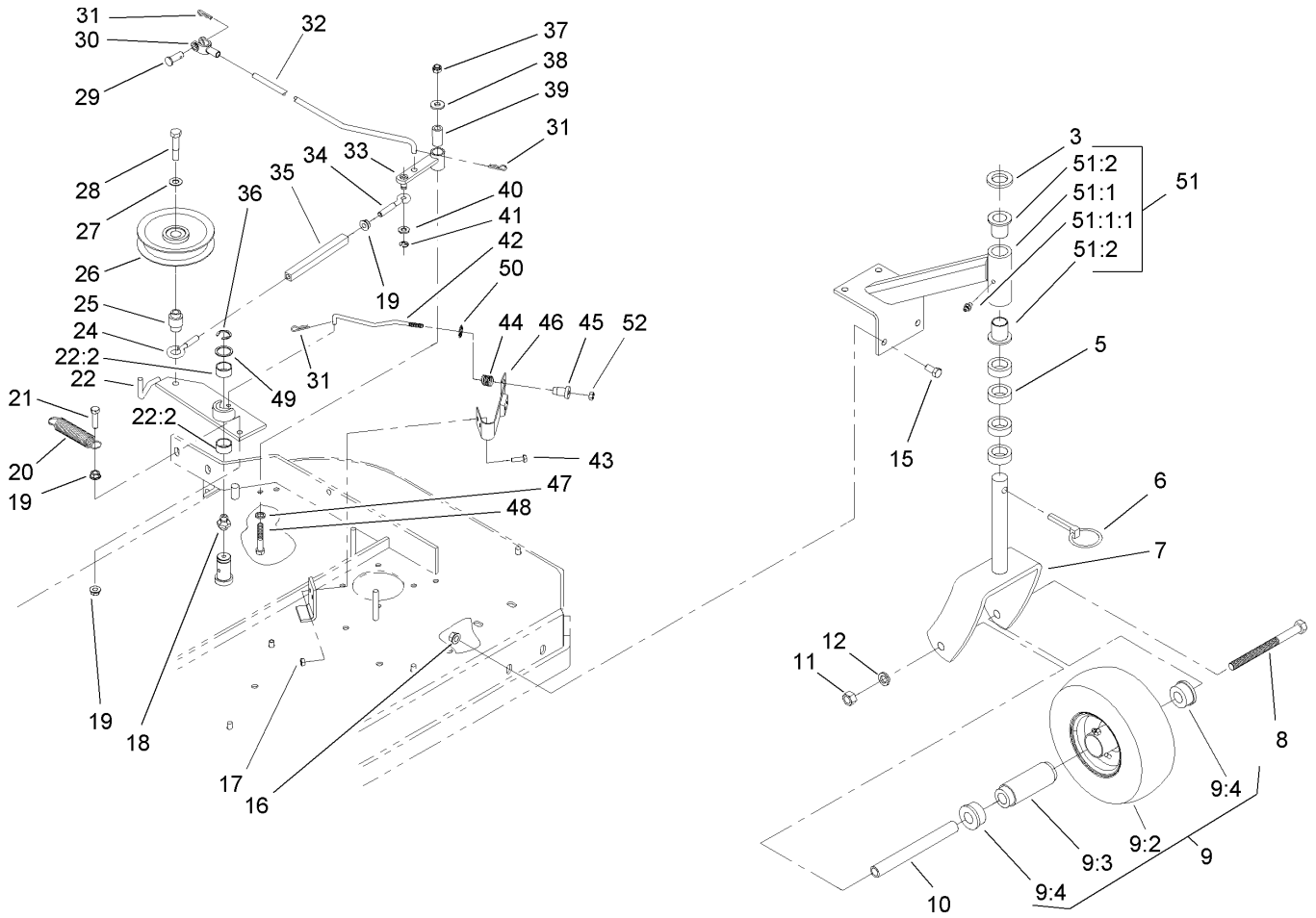




## Upper Handle Assembly

Ref	Part No.	Qty.	Description
1	98-3282	2	Rod-Control
2	95-5522-03	1	Control Bar ASM
3	3296-2	5	Nut-Lock
4	82-2290	1	Decal
5	32105-1	1	Screw-SHH
6	82-7680-03	1	Bail ASM
7	82-2280	1	Decal
8	3272-11	2	Pin-Cotter
9	99-8501-03	1	Control-Pivot ASM
10	218-595	1	Connector-Body
11	98-3261-03	1	Lever-Brake, Parking
12	98-3266	1	Decal
13	740275	1	Switch-Seat
14	1-806003	3	Pin-Hair
15	237-141	2	Grommet-Rubber
16	98-3267-03	1	Upper Handle ASM
17	283-55	2	Pin-Clevis
18	100-6450	1	Control-Throttle
19	2412-120	2	R-Clamp
20	95-5537	1	Decal-Engage, Deck
21	1-303335	1	Tie-Plastic
22	1-303160	1	Spring-Compression
23	3256-24	2	Washer-Flat
24	3296-39	5	Nut-Lock, NI

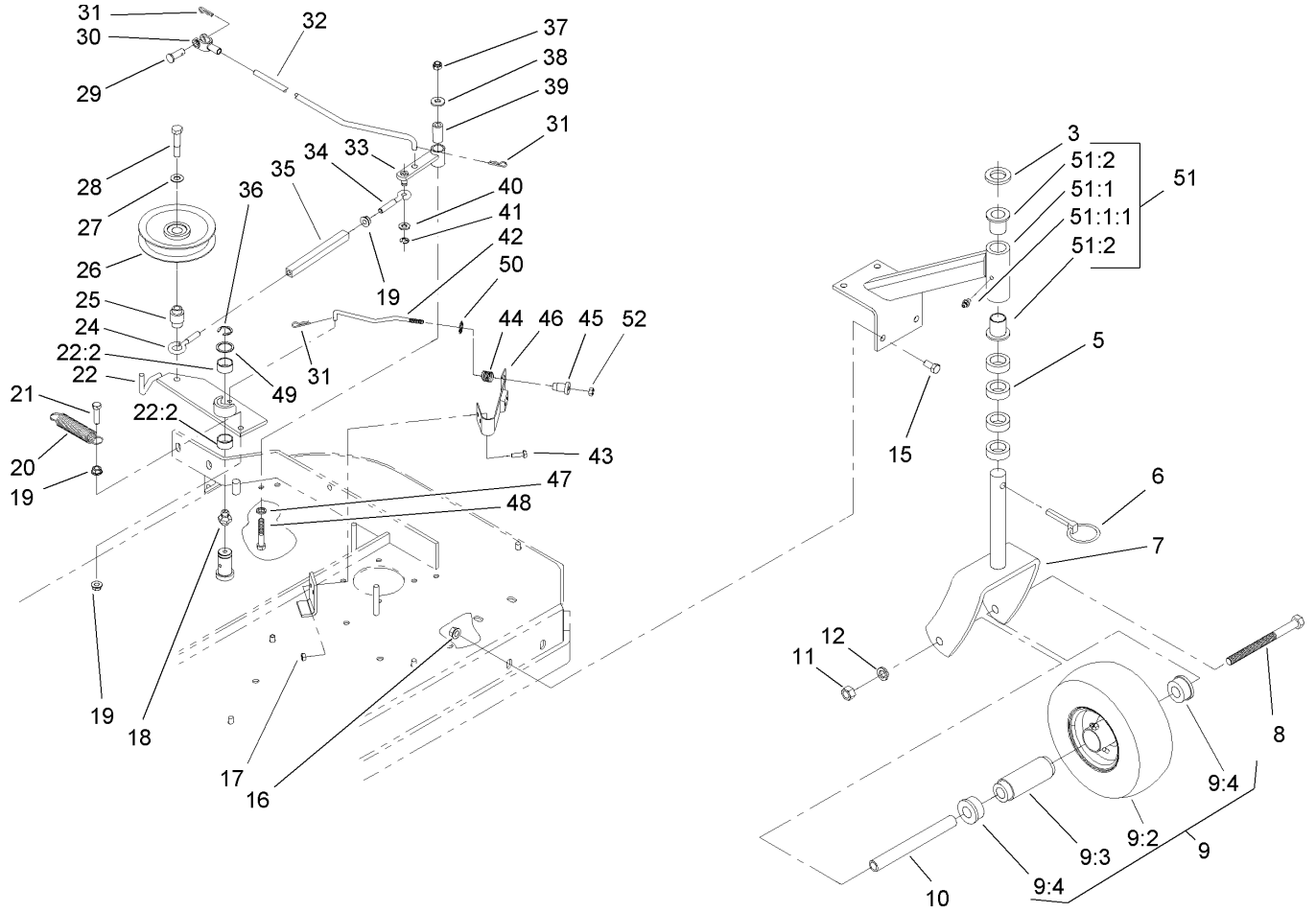
Ref	Part No.	Qty.	Description
25	106-0678	1	Harness-Wire
26	98-3279	1	Linkage-Drive, Blade
27	98-3287-03	1	Lever-Engagement, Blade
28	323-6	4	Screw-HH
29	32104-76	2	Screw
30	106-0677	1	Control Panel ASM
31	104-7050	1	Housing-Manual
32	32105-14	4	Screw-SHH
33	106-0841	1	Decal-Control Panel
34	99-8509	1	Spacer
35	1-303020	1	Grip-Lever
36	323-10	1	Screw-HH
37	98-4387	1	Decal-Protection, Ear
38	105-0884	1	Decal-Danger
39	1-403121	1	Switch-Key
40	63-8360	1	Key-Ignition
41	104-7048	1	Cap-Housing



## Front Caster and Blade Brake Assembly

Ref	Part No.	Qty.	Description
3	1-513338	2	Washer-Flat
5	1-303314	8	Spacer-Caster
6	1-809020	2	Pin
7	1-322145-01	2	Fork
8	325-20	2	Screw-HH
29	1-513648	2	Wheel And Tire ASM
9:2	1-513808	1	Tire
9:3	1-513809	1	Bearing
9:4	1-513810	2	Bushing
10	1-513547	2	Spacer
11	3217-9	2	Nut-Hex
12	3253-7	2	Washer-Lock
15	323-4	8	Screw-HH
16	3290-357	8	Nut-HHF
17	3296-42	2	Nut-Lock, NI
18	302-19	1	Fitting-Grease
19	32128-20	3	Nut-HF
20	1-323071	1	Spring-Extension
21	322-6	1	Screw-HH
22	103-3600	1	Idler Arm ASM
22:2	1-323729	2	Sleeve-Bearing
24	1-303348	1	Eyebolt-Thread, LH
25	1-303434	1	Bushing-Engagement
26	1-603843	1	Pulley-Idler

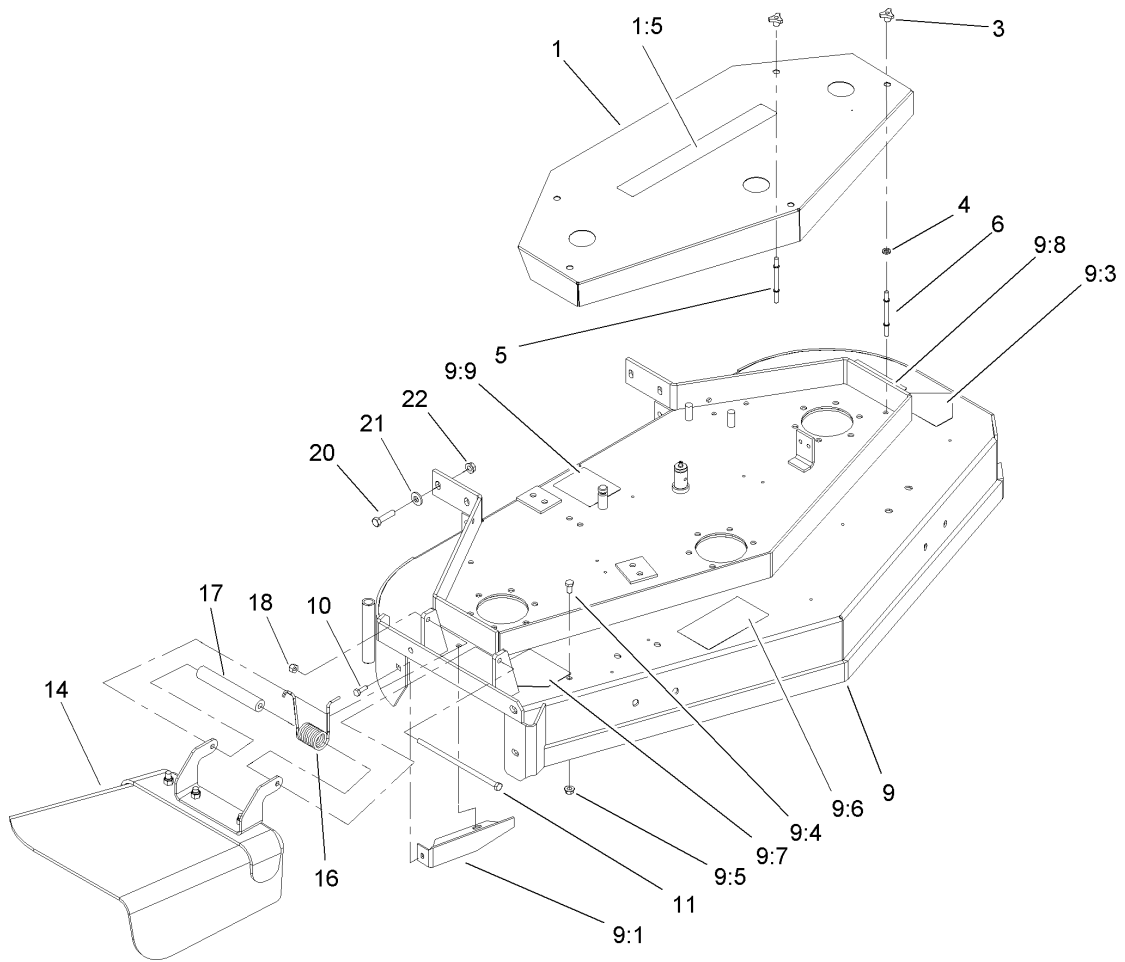
Ref	Part No.	Qty.	Description
27	98-5975	1	Washer-Belleville
28	702809	1	Screw-Cap
29	1-808280	1	Pin-Clevis
30	1-303105	1	Yoke-Adjustable
31	1-806003	3	Pin-Hair
32	1-323303	1	Linkage-Arm
33	1-322235	1	Arm-Assist
34	1-303238	1	Eyebolt-Thread, RH
35	1-303236	1	Body-Turnbuckle
36	32151-103	1	Ring-Snap
37	3296-29	1	Nut-Lock, NI
38	3256-3	1	Washer-Flat
39	1-403179	1	Tube-Pivot
40	3256-23	1	Washer-Flat
41	32120-35	1	E-Ring
42	1-323714	1	Rod-Brake
43	321-4	2	Screw-HH
44	1-323747	1	Spring-Compression
45	1-323746	1	Spacer-Flanged
46	1-324372	1	Pad / Spring ASM
47	1-303334	1	Washer-Spring
48	322-10	1	Screw-HH
49	1-303352	1	Washer-Spindle
50	1-323748	1	Ring-Push On



### Front Caster and Blade Brake Assembly (continued)

Ref	Part No.	Qty.	Description
51	1-302203	2	Support ASM
②51:1		1	Support-Caster
51:1:1	302-52	1	Fitting-Grease
51:2	1-303514	2	Bearing-Flanged
52	3296-56	1	Nut-Lock, NI



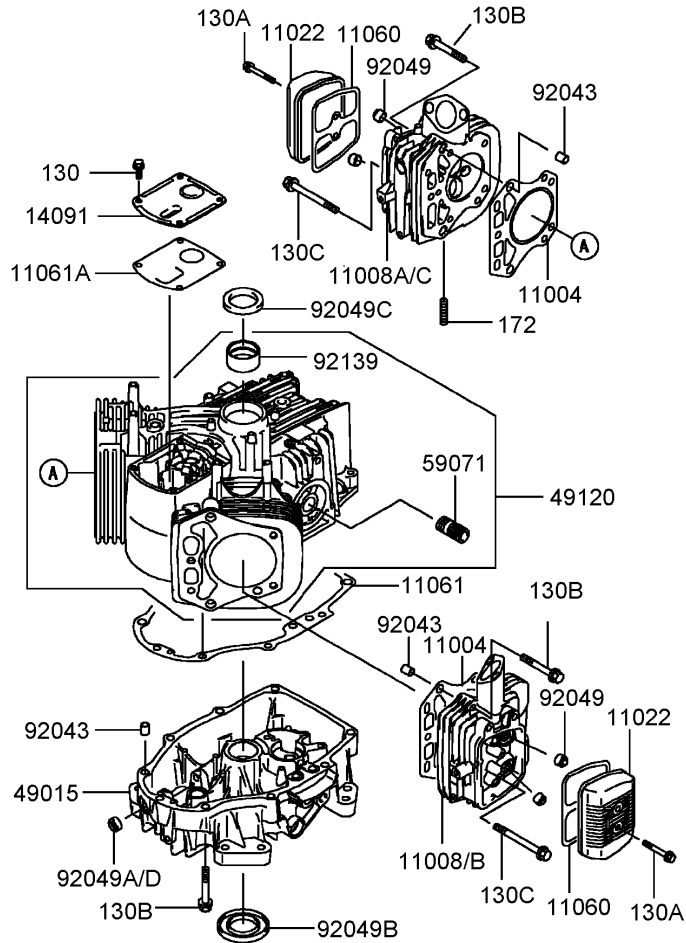



## Deck Assembly

Ref	Part No.	Qty.	Description
1	1-404246	1	Shield-Belt
1:5	106-0712	1	Decal
3	106-4161	5	Knob-Handle
4	1-323417	5	Washer
5	1-303536	3	Stud-Shield, Belt (Long)
6	1-303537	2	Stud-Shield, Belt (Short)
9	107-4215	1	Deck ASM
9:1	1-402107-01	1	Baffle-Dogleg
9:3	1-403005	1	Decal-Danger
9:4	322-2	4	Screw-HH
9:5	32128-20	4	Nut-HF
9:6	66-1340	1	Decal-Danger
9:7	93-1122	1	Decal-Danger
9:8	98-5130	1	Decal-Torque, Bolt
9:9	99-3943	1	Decal-Routing, Belt
10	322-2	7	Screw-HH
11	322-50	1	Screw-HH
14	107-4140	1	Deflector ASM
16	104-8554	1	Spring-Torsion
17	105-4622	1	Spacer
18	3296-29	1	Nut-Lock, NI
20	323-8	6	Screw-HH
21	98-5975	6	Washer-Belleville
22	3290-357	6	Nut-HHF



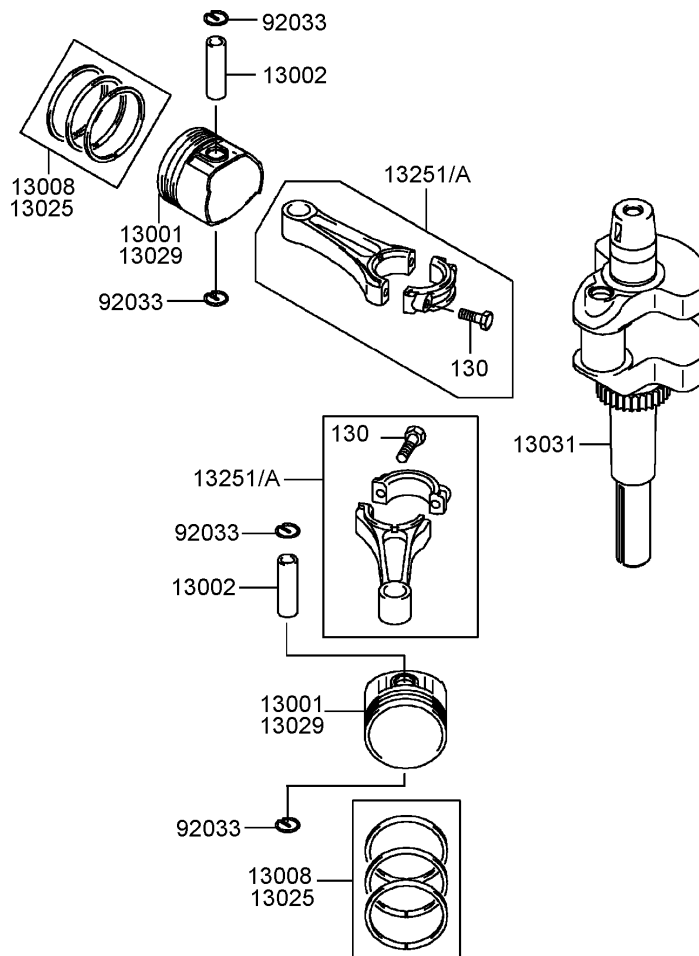


## Cylinder and Crankcase Assembly Kawasaki Model FH430V-AS25

Ref	Part No.	Qty.	Description
④ 11004	11004-7008	1	Gasket-Head
④ 11008	11008-7011	1	Head-Comp-Cylinder, No.2
④ 11008A	11008-7017	1	Head-Comp-Cylinder, No.1
④ 11008B	11008-7021	1	Head-Comp-Cylinder, #2
④ 11008C	11008-7022	1	Head-Comp-Cylinder, #1
④ 11022	11022-7003	1	Case-Rocker
④ 11060	11060-7001	1	Gasket-Case, Rocker
④ 11061	11061-7007	1	Gasket-Cover, Crankcase
④ 11061A	11061-7008	1	Gasket-Breather
④ 14091	14091-7007	1	Cover
④ 49015	49015-7032	1	Cover-Crankcase
④ 49120	49120-7015	1	Crankcase-Comp
④ 59071	59071-2079	1	Joint
④ 92043	92043-7001	1	Pin
④ 92049	92049-7001	1	Seal-Oil, Rvc2 (6x11x10.2)
④ 92049A	92049-7005	1	Seal-Oil,so 8x14x5 HS
④ 92049B	92049-7015	1	Seal-Oil, Sd (35x62x8 L Hs)
④ 92049C	92049-7016	1	Seal-Oil, Sd (35x48x8 R Hs)
④ 92049D	92049-7019	1	Seal-Oil, So (8x14x5 Hs)
④ 92139	92139-7002	1	Bushing
④ 130	130B0612	1	Bolt-Flanged
④ 130A	130B0640	1	Bolt-Flanged
④ 130B	130T0850	1	Bolt-Flanged
④ 130C	130T0875	1	Bolt-Flanged

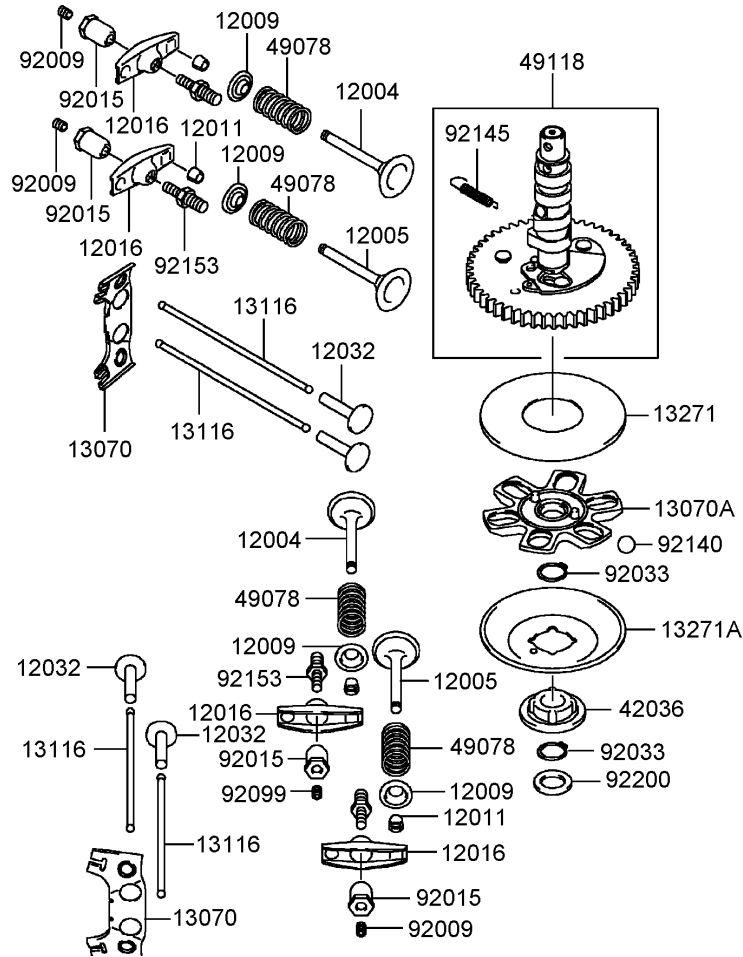
Ref	Part No.	Qty.	Description
④ 172	172G0818	1	Bolt-Stud



## Piston and Crankshaft Assembly Kawasaki Model FH430V-AS25

Ref	Part No.	Qty.	Description
④ 13001	13001-7009	1	Piston-Engine
④ 13002	13002-7001	1	Pin-Piston
④ 13008	13008-7001	1	Ring-Set-Piston
④ 13025	13025-7003	1	Ring-Set-Piston
④ 13029	13029-7005	1	Piston-Engine
④ 13031	13031-7033	1	Crankshaft-Comp
④ 13251	13251-7007	1	Connecting Rod ASM
④ 13251A	13251-7008	1	Connecting Rod Asm, U/s=0.50
④ 92033	92033-7005	1	Ring-Snap
④ 130	130G0630	1	Bolt-Flanged

--	--	--	--



## Valve and Camshaft Assembly Kawasaki Model FH430V-AS25

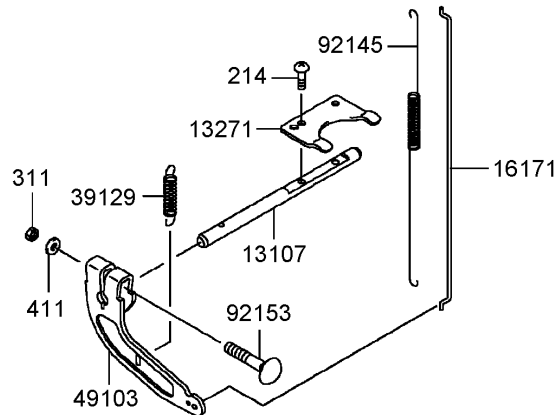
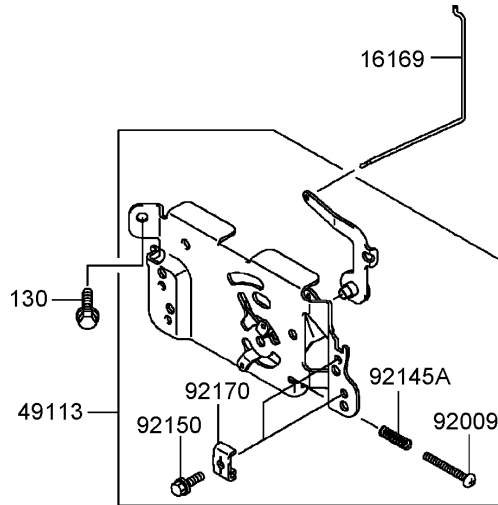
Ref	Part No.	Qty.	Description
④ 12004	12004-7003	1	Valve-Intake
④ 12005	12005-7003	1	Valve-Exhaust
④ 12009	12009-7001	1	Retainer-Spring, Valve
④ 12011	12011-2056	1	Collet
④ 12016	12016-7001	1	Arm-Rocker
④ 12032	12032-7001	1	Tappet
④ 13070	13070-7001	1	Guide
④ 13070A	13070-7004	1	Guide
④ 13116	13116-2057	1	Rod-Push
④ 13271	13271-7007	1	Plate
④ 13271A	13271-7021	1	Plate-Governor
④ 42036	42036-7009	1	Sleeve
④ 49078	49078-7001	1	Spring-Valve, Engine
④ 49118	49118-7009	1	Camshaft-Comp
④ 92009	92009-2341	1	Screw
④ 92015	92015-2253	1	Nut
④ 92033	92033-7001	1	Ring-Snap
④ 92140	92140-7002	1	Ball
④ 92145	92145-7001	1	Spring
④ 92153	92153-7019	1	Bolt
④ 92200	92200-7001	1	Washer

--	--	--	--



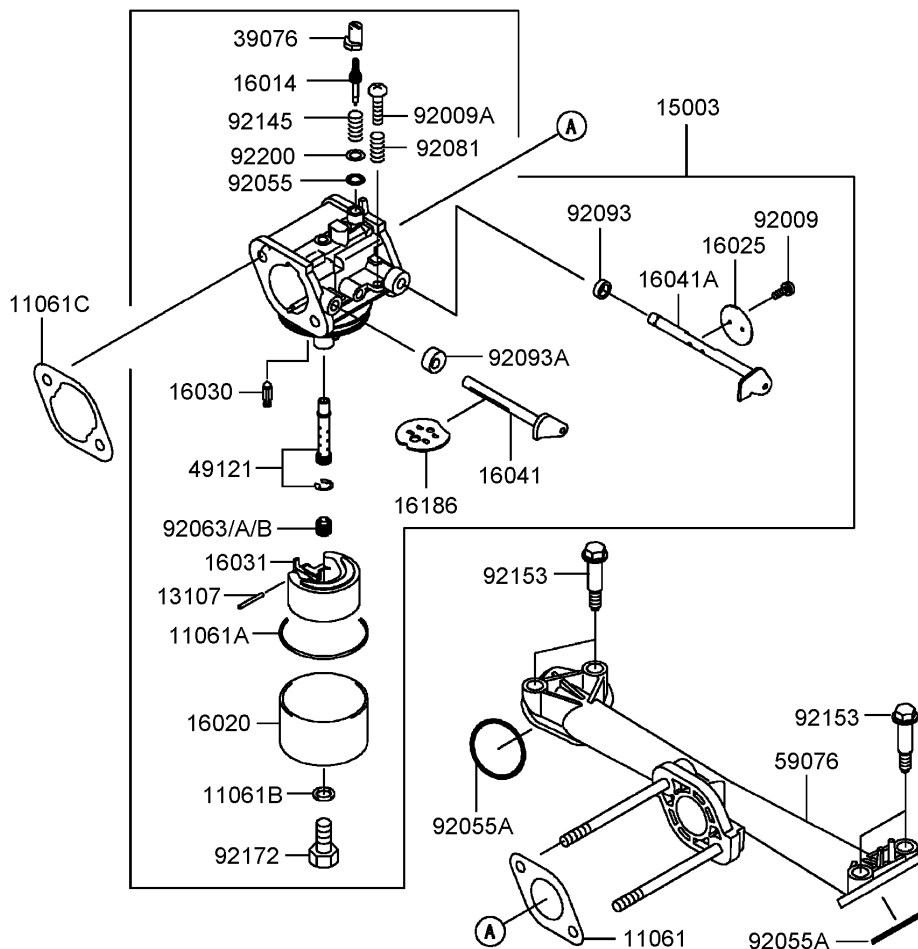






## Control Equipment Assembly Kawasaki Model FH430V-AS25

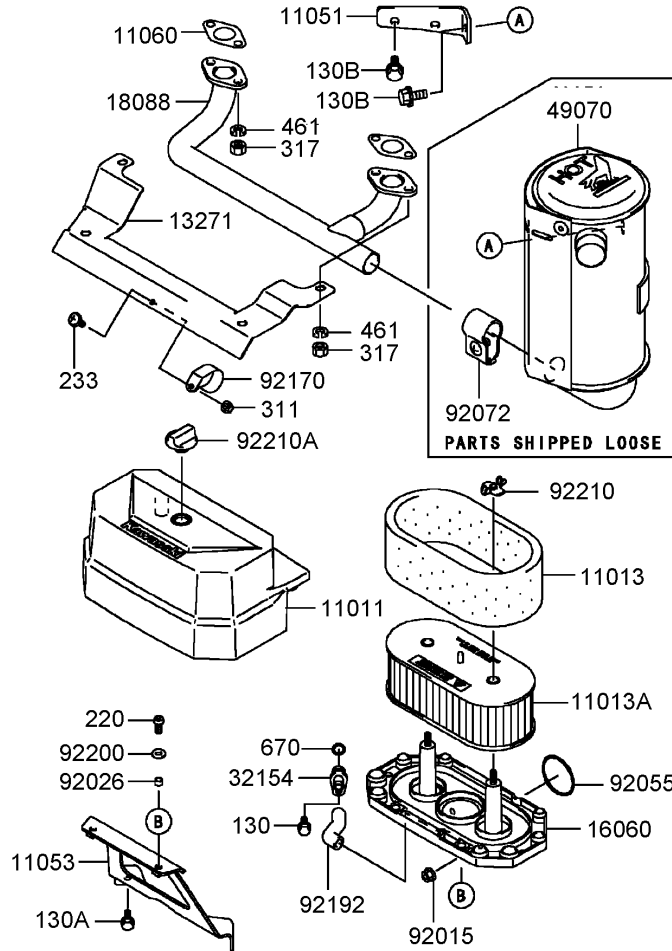
Ref	Part No.	Qty.	Description				
④13107	13107-7010	1	Shaft				
④13271	13271-7018	1	Plate				
④16169	16169-7012	1	Link-Choke				
④16171	16171-7007	1	Link				
④39129	39129-7003	1	Spring-Governor				
④49103	49103-7004	1	Arm-Governor				
④49113	49113-7024	1	Panel-Comp-Control				
④92009	92009-7007	1	Screw (4x35)				
④92145	92145-7003	1	Spring				
④92145A	92145-7005	1	Spring				
④92150	92150-2182	1	Bolt (5x18)				
④92153	92153-7005	1	Bolt,6x35				
④92170	92170-7001	1	Clamp				
④130	130B0612	1	Bolt-Flanged				
④214	214B0408	1	Screw-Pan				
④311	311B0600	1	Nut-Hex				
④411	411b0600	1	Washer-Plain				



## Carburetor Assembly Kawasaki Model FH430V-AS25

Ref	Part No.	Qty.	Description
④ 11061	11061-7004	1	Gasket-Insulator
④ 11061A	11061-7009	1	Gasket-Chamber
④ 11061B	11061-7010	1	Gasket-Screw
④ 11061C	11061-7018	1	Gasket-Cleaner, Air
④ 13107	13107-7018	1	Shaft
④ 15003	15003-7061	1	Carburetor-ASM
④ 16014	16014-7002	1	Screw-Pilot
④ 16020	16020-7003	1	Chamber-Float
④ 16025	16025-7006	1	Valve-Throttle
④ 16030	16030-7003	1	Valve-Float
④ 16031	16031-7002	1	Float
④ 16041	16041-7016	1	Shaft-Carburetor, Choke
④ 16041A	16041-7018	1	Shaft-Carburetor, Throttle
④ 16186	16186-7002	1	Choke Valve ASM
④ 39076	39076-7001	1	Limiter
④ 49121	49121-7001	1	Nozzle-Main
④ 59076	59076-7005	1	Manifold-Intake
④ 92009	92009-2083	1	Screw
④ 92009A	92009-2349	1	Screw
④ 92055	92055-2174	1	Ring-O
④ 92055A	92055-7007	1	Ring-O, Id=31
④ 92063	92063-7026	1	Jet-Main, #88
④ 92063A	92063-7028	1	Jet-Main, #85
④ 92063B	92063-7029	1	Jet-Main, #82

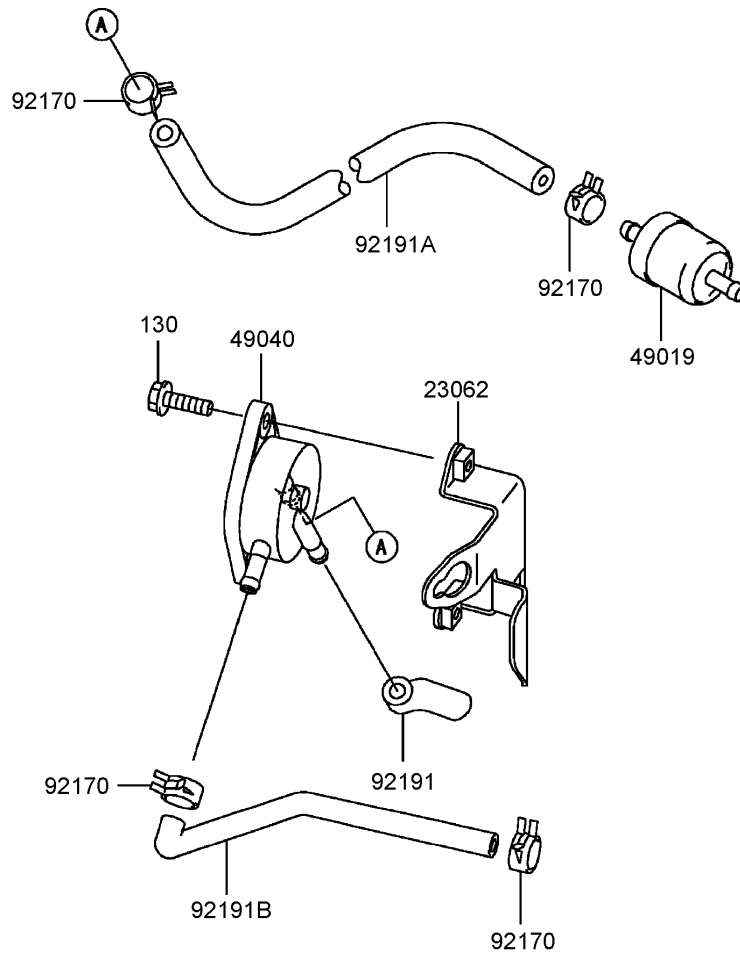
Ref	Part No.	Qty.	Description
④ 92081	92081-2234	1	Spring
④ 92093	92093-2100	1	Seal
④ 92093A	92093-7003	1	Seal
④ 92145	92145-7015	1	Spring
④ 92153	92153-7009	1	Bolt
④ 92172	92172-7002	1	Screw
④ 92200	92200-7014	1	Washer



## Air Filter and Muffler Assembly Kawasaki Model FH430V-AS25

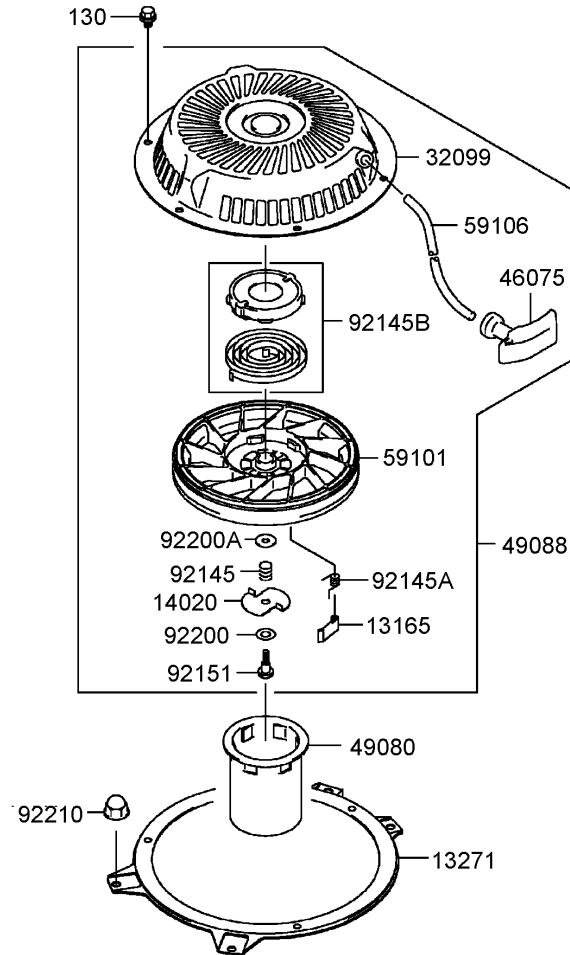
Ref	Part No.	Qty.	Description
④ 11011	11011-7035	1	Case-Air Filter
④ 11013	11013-7025	1	Element-Filter, Air
④ 11013A	11013-7031	1	Element-Filter, Air
④ 11051	11051-7005-9H	1	Bracket
④ 11053	11053-7022	1	Bracket
④ 11060	11060-7021	1	Gasket-Muffler
④ 13271	13271-7022	1	Plate
④ 16060	16060-7016	1	Pipe-Intake
④ 18088	18088-7001	1	Pipe-Exhaust
④ 32154	32154-7006	1	Pipe
④ 49070	49070-7015	1	Muffler-Comp
④ 92015	92015-1193	1	Nut
④ 92026	92026-7001	1	Spacer, 6.2x7.9x5
④ 92055	92055-7015	1	O-Ring
④ 92072	92072-7008	1	Band
④ 92170	92170-7002	1	Clamp
④ 92192	92192-7010	1	Tube
④ 92200	92200-2070	1	Washer
④ 92210	92210-7004	1	Nut
④ 92210A	92210-7019	1	Nut
④ 130	130B0610	1	Bolt-Flanged
④ 130A	130B0612	1	Bolt-Flanged
④ 130B	130B0816	1	Bolt-Flanged

Ref	Part No.	Qty.	Description
④ 220	220B0614	1	Screw-Pan (Cross)
④ 233	233B0416	1	Screw-Pan
④ 311	311B0400	1	Nut-Hex
④ 317	317R0800	1	Nut-Hex, Small
④ 461	461F0800	1	Washer-Spring
④ 670	670B2010	1	O-Ring



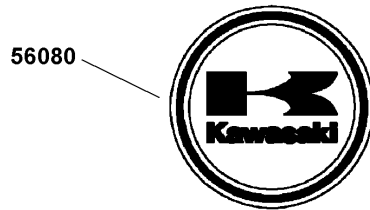
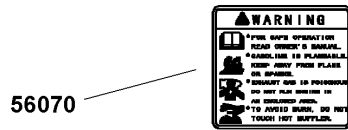
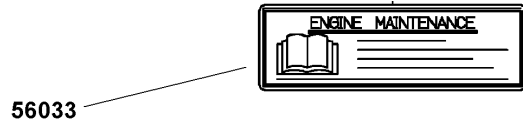
## Fuel Tank and Fuel Valve Assembly Kawasaki Model FH430V-AS25

Ref	Part No.	Qty.	Description
④ 23062	23062-7004-9H	1	Bracket-Comp
④ 49019	49019-7001	1	Filter-Fuel
④ 49040	49040-7001	1	Pump-Fuel
④ 92170	92170-2088	1	Clamp
④ 92191	92191-7002	1	Tube
④ 92191A	92191-7003	1	Tube (6.35x12.7x160)
④ 92191B	92191-7004	1	Tube
④ 130	130B0620	1	Bolt-Flanged



## Starter Assembly Kawasaki Model FH430V-AS25

Ref	Part No.	Qty.	Description				
④ 13165	13165-7001	1	Pawl-Starter, Recoil				
④ 13271	13271-7003-9H	1	Plate				
④ 14020	14020-7001	1	Retainer				
④ 32099	32099-7002	1	Case-Starter, Recoil				
④ 46075	46075-7001	1	Grip-Recoil, Starter				
④ 49080	49080-7001	1	Pulley-Starting				
④ 49088	49088-7013	1	Starter-Recoil				
④ 59101	59101-7001	1	Reel-Recoil				
④ 59106	59106-7001	1	Rope				
④ 92145	92145-7006	1	Spring				
④ 92145A	92145-7007	1	Spring				
④ 92145B	92145-7008	1	Spring				
④ 92151	92151-7008	1	Bolt				
④ 92200	92200-7004	1	Washer				
④ 92200A	92200-7005	1	Washer				
④ 92210	92210-0003	1	Nut				
④ 130	130B0608	1	Bolt-Flanged				



**Label Assembly  
Kawasaki Model FH430V-AS25**

Ref	Part No.	Qty.	Description				
④56033	56033-7001	1	Label-Manual				
④56070	56070-7001	1	Label-Warning				
④56080	56080-2077	1	Label-Brand				
④56080A	56080-7024	1	Label-Brand				

# Attachments and Accessories

## For 30140 - Mid-Size ProLine T-Bar Gear, 15 HP with 48in Side Discharge Mow

Product Name	Model/Part
Atomic Blade ASM .....	104-8595
Weight Kit .....	107-4100
Sulky .....	30109
Recycler Kit .....	30143
32in/36in/48in Soft Bag (3 bu.) .....	30198

