



## Mid-Size ProLine T-Bar Gear with 36in Side Discharge Mower

Model No. 30161 - 250000001 and up.

### Parts Catalog

---

#### Ordering Replacement Parts

To order replacement parts, please supply the part number, the quantity, and the description of each part desired.

#### Understanding Reference Numbers

Each Identified part in an illustration has a reference number. The reference number for a part also appears in the parts list, along with other information about the part.

This catalog uses two special reference number formats, one to indicate parts in a service assembly and another to indicate the quantity of a given part in an illustration.

#### Service Assembly Reference Numbers

Parts in service assemblies have reference numbers in the form a:b. The a represents the reference number of the entire service assembly and the b represents a sequential number unique to each part within the service assembly.

For example, a wheel assembly might be identified by reference number 6, the tire by 6:1, the valve by 6:2, and the wheel by 6:3. When you order the assembly identified by reference number 6, you receive all parts identified by reference numbers 6:1, 6:2, and 6:3. However, you may also order any part individually. Reference numbers of this type appear in illustrations and in part lists.

#### Reference Numbers Indicating Quantity

In an illustration, if a reference number indicates more than one part, the reference number has the form nX y. The n represents the quantity of the part, the X is the multiplication symbol, and the y represents the reference number.

For example, in an illustration, the reference number 2X 37 means that two of the parts identified by reference number 37 are indicated.

# Contents

Description	Page	Description	Page
Engine and Fuel System Assembly	..... 3	Lubrication-Equipment Assembly Kawasaki	
Transmission and Drive Assembly	..... 4	FH381V-AS25	..... 17
Wheel Drive Assembly	..... 6	Cooling Equipment Assembly Kawasaki	
Upper Handle Assembly	..... 8	FH381V-AS25	..... 18
Deck Assembly	..... 9	Electric-Equipment Assembly Kawasaki	
Deflector Assembly No. 107-4140	..... 10	FH381V-AS25	..... 19
Front Caster and Blade Brake Assembly	..... 11	Control-Equipment Assembly Kawasaki	
Spindle, Blade and Belt Assembly	..... 13	FH381V-AS25	..... 20
Cylinder and Crankcase Assembly Kawasaki		Carburetor Assembly Kawasaki FH381V-AS25	..... 21
FH381V-AS25	..... 14	Air-Filter and Muffler Assembly Kawasaki	
Piston and Crankshaft Assembly Kawasaki		FH381V-AS25	..... 22
FH381V-AS25	..... 15	Fuel Tank/Fuel Valve Assembly Kawasaki	
Valve and Camshaft Assembly Kawasaki		Model FH381V-AS25	..... 23
FH381V-AS25	..... 16	Starter Assembly Kawasaki FH381V-AS25	..... 24
		Decal Assembly Kawasaki FH381V-AS25	..... 25

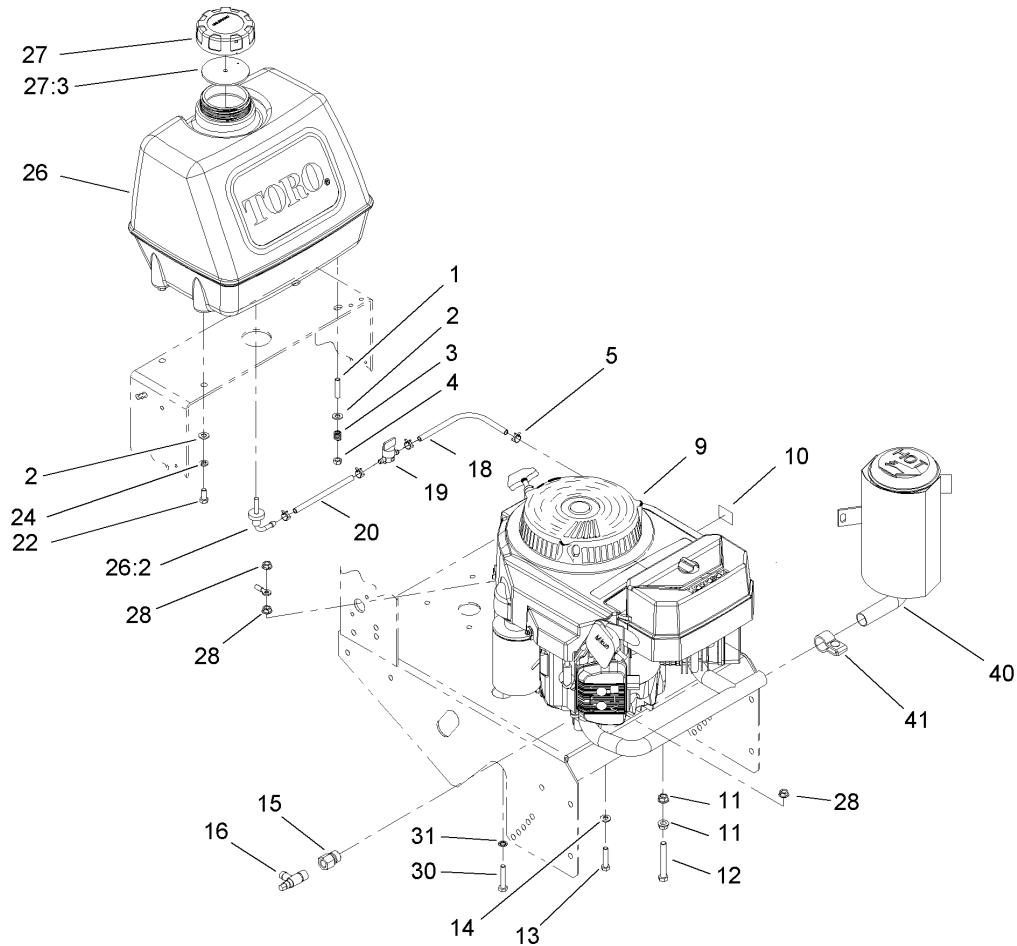
## Part Description Abbreviations

Part descriptions in this catalog may include the following abbreviations.

AR. .... as required	INC. .... incorporated
ASM. .... assembly	LH. .... left hand
CARR. .... carriage	NI. .... nylon insert
DEG. .... degrees	PPH. .... phillips pan head
FH. .... flat head	PTH. .... phillips truss head
GA. .... gauge	PTO. .... power take off
HF. .... hex flange	RH. .... right hand
HH. .... hex head	SFH. .... slotted fillister head
HHF. .... hex head flange	SHH. .... slotted hex head
HHFTF. .... hex head flange thread forming	SHWH. .... slotted hex washer head
HJ. .... hex jam	SPH. .... slotted pan head
HLH. .... hex lag head	SQH. .... square head
HOC. .... height-of-cut	SRH. .... slotted round head
HS. .... hex	STD. .... standard
HSBH. .... hex socket button head	TAP. .... self tapping
HSFH. .... hex socket flat head	TTH. .... torx truss head
HSH. .... hex socket head	WH. .... wing head
HWH. .... hex washer head	
HWHTF. .... hex washer head thread forming	
HYD. .... hydraulic	

## Footnotes

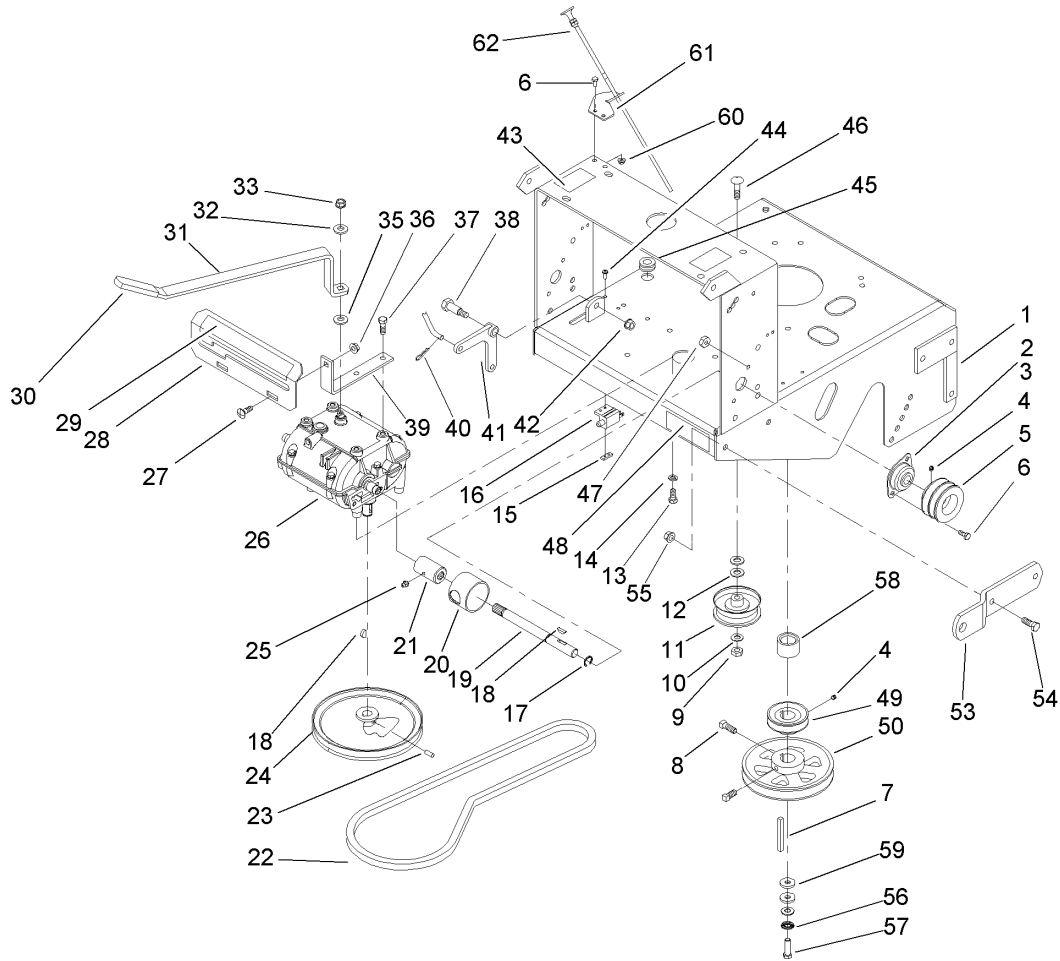
- |  |                                  |
|--|----------------------------------|
| <p>❶ Not illustrated</p> <p>❸ Obtain parts from your local Kawasaki dealer</p> | <p>❷ Not serviced separately</p> |
|--|----------------------------------|



## Engine and Fuel System Assembly

Ref	Part No.	Qty.	Description
1	1-633023	2	Stud
2	3256-23	4	Washer-Flat
3	1-633349	2	Spring-Tank, Fuel
4	3296-47	2	Nut-Lock, NI
5	1-303077	5	Clamp
9		1	Engine-Kawasaki, Fh381v-As25
10	106-0699	1	Decal-Warning, Hot Surfaces
11	3290-357	2	Nut-HHF
12	323-13	1	Screw-HH
13	322-7	3	Screw-HH
14	1-303334	3	Washer-Spring
15	103-1966	1	Adapter
16	103-1965	1	Valve-Drain, Oil
18	1-303022	1	Hose-Fuel
19	1-603770	1	Valve-Fuel
20	1-603955	1	Hose-Fuel
22	322-3	2	Screw-HH
24	1-805005	2	Washer-Lock
26	106-0730	1	Fuel Tank ASM
26:2	103-2605	1	Fitting-Fuel, Bulkhead
27	88-3980	1	Gas Cap ASM
27:3	88-4010	1	Gasket-Cap, Gas
28	32128-20	5	Nut-HF
30	322-9	1	Screw-HH

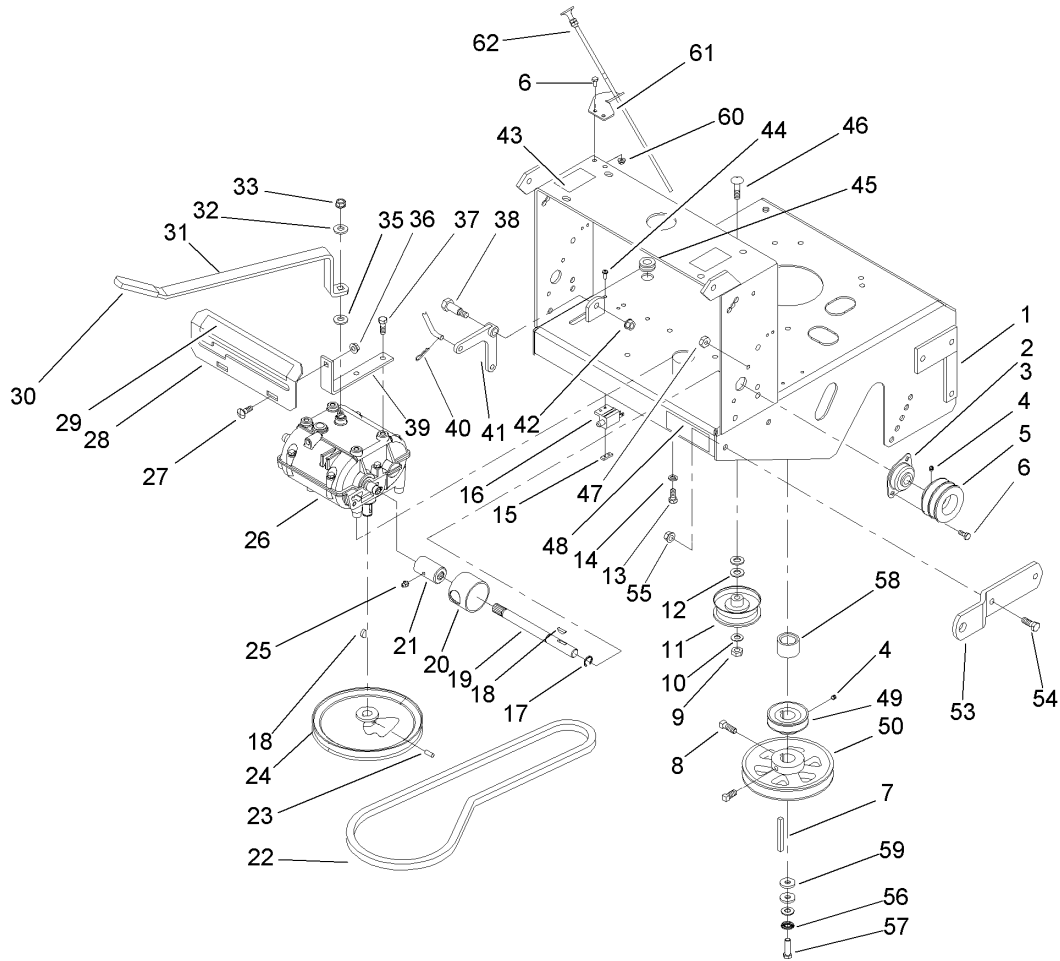
Ref	Part No.	Qty.	Description
31	3254-2	1	Washer-Lock, Int
40	100-6467	1	Muffler
41	103-5465	1	Clamp-Muffler
99	1-303287	1	Tie-Plastic
99	1-303335	1	Tie-Plastic



## Transmission and Drive Assembly

Ref	Part No.	Qty.	Description
1	103-2923-01	1	Deck-Rear
2	1-323252	2	Bearing-Shaft
3	1-323254	2	Flange-Output
4	1-803310	3	Screw-Set
5	103-6511	2	Sheave-Transmission
6	321-3	6	Screw-HH
7	103-4177	1	Key-Machine
8	3242-4	2	Screw-Set, SQH
9	3296-39	1	Nut-Lock, NI
10	3256-24	1	Washer-Flat
11	1-323285	1	Idler-Drive, Transmission
12	3256-5	2	Washer-Flat
13	322-3	4	Screw-HH
14	1-805005	4	Washer-Lock
15	1-633181	1	Plate-Tapped
16	1-513152	1	Switch-Closed, Normally
17	32151-62	2	Ring-Retaining
18	3257-5	3	Key-Woodruff
19	1-323502	2	Shaft-Transmission
20	51-4220	2	Guard-Coupler
21	1-323680	2	Coupler
22	1-323630	1	V-Belt
23	3245-41	2	Screw-HSH
24	1-323278	1	Sheave-Transmission

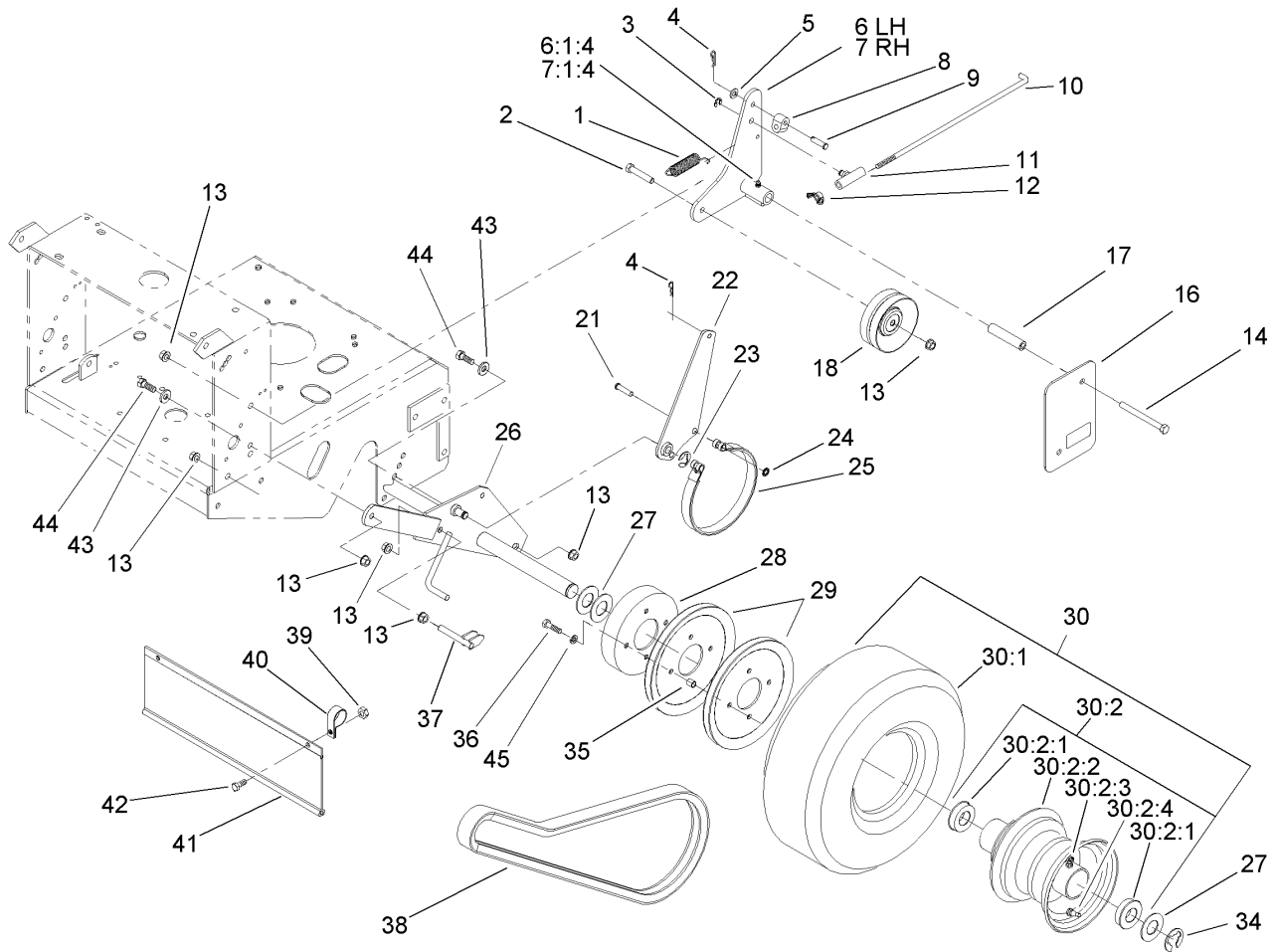
Ref	Part No.	Qty.	Description
25	302-19	2	Fitting-Grease
26	1-323500	1	Transmission
27	3230-1	2	Bolt-CARR
28	1-323387-03	1	Plate-Shift
29	98-3256	1	Decal-Speed, Ground
30	1-303020	1	Grip-Lever
31	98-3274-03	1	Lever-Shift
32	98-5975	1	Washer-Belleville
33	3296-6	1	Nut-Lock
35	1-323379	1	Washer
36	32128-20	2	Nut-HF
37	9264964	4	Screw-Hwh, Thread Cut
38	1-603403	1	Bolt-Shoulder
39	1-323389-03	2	Bracket-Plate, Shift
40	1-806003	1	Pin-Hair
41	1-303186	1	Bellcrank
42	3290-357	1	Nut-HHF
43	95-2814	1	Decal-Shut Off, Fuel
44	3290-500	2	Screw-PPH
45	1-543296	1	Grommet
46	3231-6	1	Screw-CARR
47	3296-42	4	Nut-Lock, NI
48	98-0776	1	Decal-Caution
49	103-1666	1	Sheave-Transmission



### Transmission and Drive Assembly (continued)

Ref	Part No.	Qty.	Description
50	103-1668	1	Sheave-Split
53	1-323318-01	2	Hitch-Sulky
54	323-6	4	Screw-HH
55	3290-357	4	Nut-HHF
56	1-603610	2	Washer-Spring
57	3212-6	1	Screw-HH
58	1-633453	1	Spacer-Clutch
59	1-373034	2	Washer
60	32128-33	2	Nut-HF
61	103-1797-01	1	Bracket-Cable, Choke
62	103-1796	1	Cable-Choke

--	--	--	--

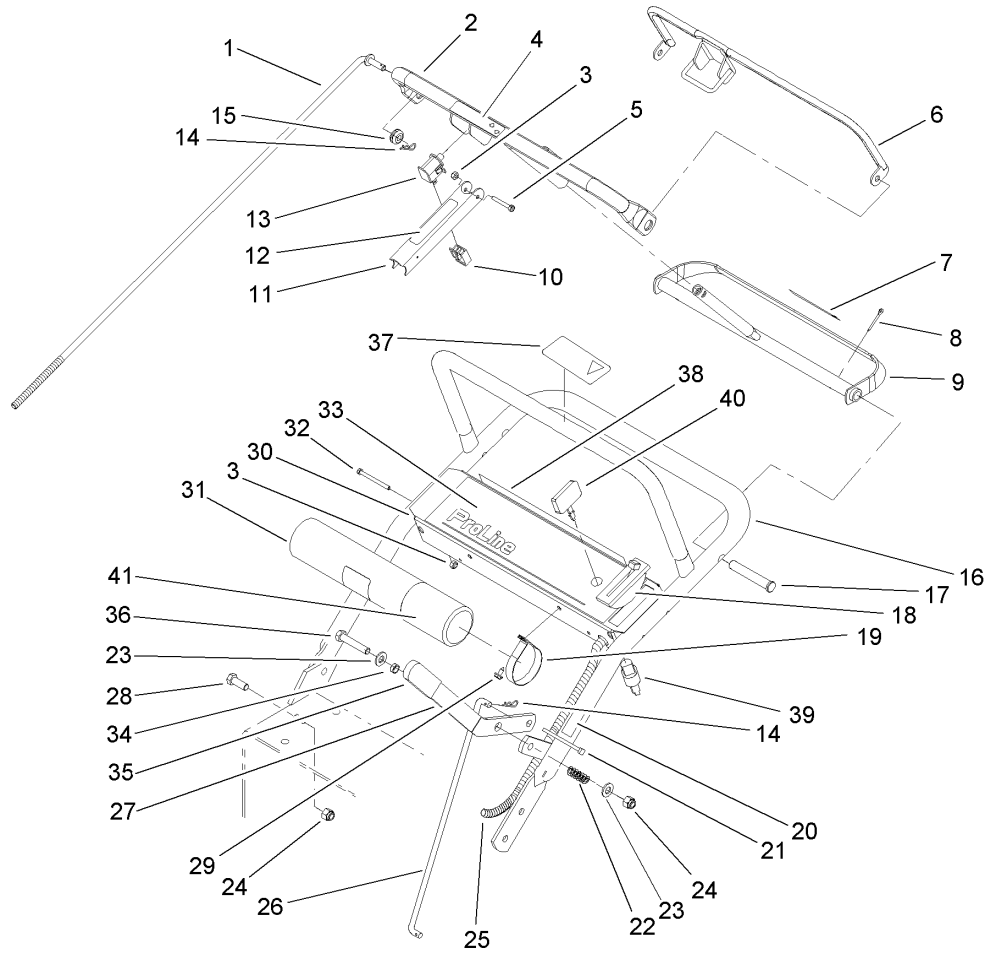


## Wheel Drive Assembly

Ref	Part No.	Qty.	Description
1	98-3273	2	Spring-Extension
2	323-10	2	Screw-HH
3	32151-47	2	Ring-Retaining
4	1-806003	4	Pin-Hair
5	3256-23	2	Washer-Flat
6	104-1321-03	1	RH Idler Arm ASM
6:1		1	RH Idler Arm ASM
6:1:4	302-19	1	Fitting-Grease
7	104-1322-03	1	LH Idler Arm ASM
7:1		1	LH Idler Arm ASM
7:1:4	302-19	1	Fitting-Grease
8	74-0521	2	Fitting-Rod
9	283-6	2	Pin-Clevis
10	1-323296	2	Rod-Brake
11	1-322125	2	Swivel-Brake
12	1-513959	2	Wingnut-Nylock
13	3290-357	14	Nut-HHF
14	323-16	4	Screw-HH
16	98-5131-01	2	Shield-Wheel, Drive
17	1-323694	4	Spacer-Shield
18	1-323634	2	Idler-Drive, Wheel
21	1-323307	4	Pin-Clevis
22	1-322209-03	2	Arm-Brake
23	32120-47	2	Ring-Retaining, External

Ref	Part No.	Qty.	Description
24	1-803051	4	Nut-Push
25	1-323595	2	Band-Brake
26	1-322212-03	1	Axle ASM
27	1-523157	6	Washer-Spacer
28	1-323261	2	Drum-Brake
29	1-323253	4	Sheave-Wheel, Drive
30		2	Wheel And Tire ASM
30:1	1-323720	1	Tire-Turfmaster
30:2	1-323328	1	Wheel And Hub ASM
30:2:1	1-323329	2	Bearing-Flanged
30:2:2		1	Rim ASM
30:2:3		1	Fitting-Grease
30:2:4		1	Stem-Valve
34	1-808519	2	Ring-Snap
35	1-323260	8	Spacer-Sheave, Wheel
36	322-6	8	Screw-HH
37	1-412358	2	Scraper
38	1-323631	2	V-Belt
39	3296-29	2	Nut-Lock, NI
40	2412-104	2	R-Clamp
41	98-3259	1	Shield-Trailing
42	322-3	2	Screw-HH
43	98-5975	4	Washer-Belleville

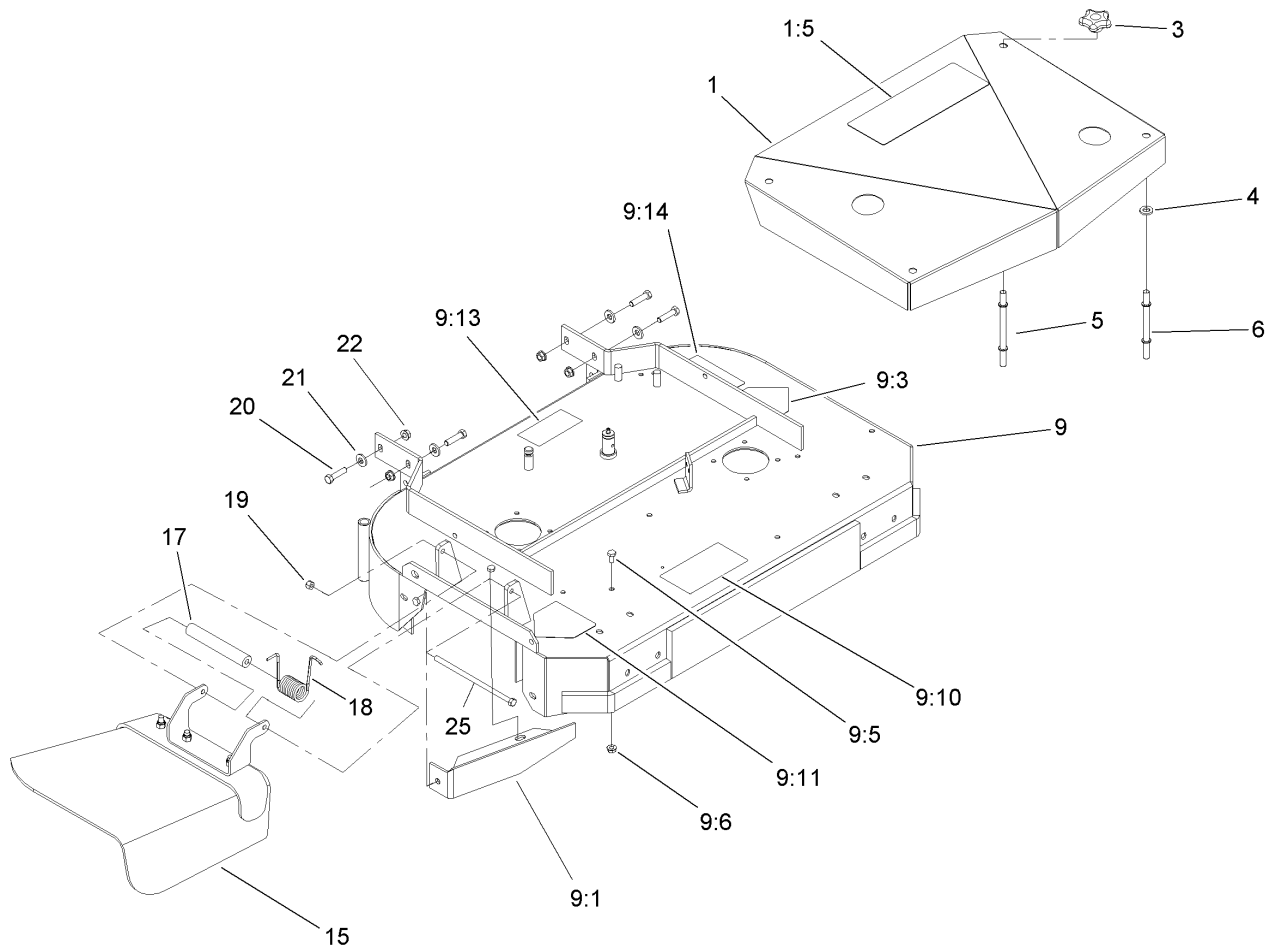




## Upper Handle Assembly

Ref	Part No.	Qty.	Description
1	98-3282	2	Rod-Control
2	95-5522-03	1	Control Bar ASM
3	3296-2	5	Nut-Lock
4	82-2290	1	Decal
5	32105-1	1	Screw-SHH
6	82-7680-03	1	Bail ASM
7	82-2280	1	Decal
8	3272-11	2	Pin-Cotter
9	99-8501-03	1	Control-Pivot ASM
10	218-595	1	Connector-Body
11	98-3261-03	1	Lever-Brake, Parking
12	98-3266	1	Decal
13	740275	1	Switch-Seat
14	1-806003	3	Pin-Hair
15	237-141	2	Grommet-Rubber
16	98-3267-03	1	Upper Handle ASM
17	283-55	2	Pin-Clevis
18	100-6450	1	Control-Throttle
19	2412-120	2	R-Clamp
20	95-5537	1	Decal-Engage, Deck
21	1-303335	1	Tie-Plastic
22	1-303160	1	Spring-Compression
23	3256-24	2	Washer-Flat
24	3296-39	5	Nut-Lock, NI

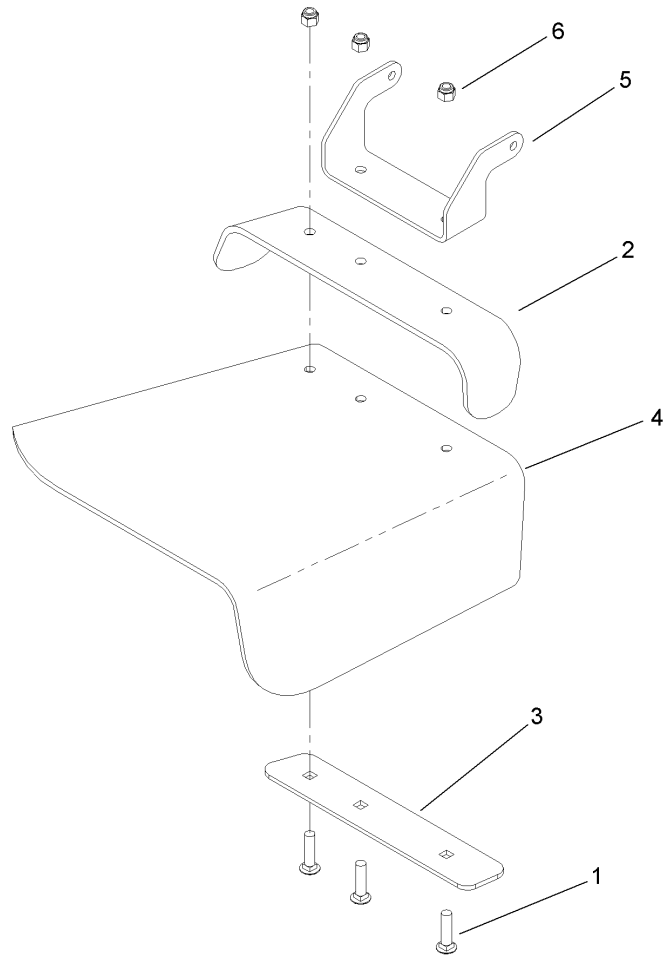
Ref	Part No.	Qty.	Description
25	106-0678	1	Harness-Wire
26	98-3279	1	Linkage-Drive, Blade
27	98-3287-03	1	Lever-Engagement, Blade
28	323-6	4	Screw-HH
29	32104-76	2	Screw
30	106-0677	1	Control Panel ASM
31	104-7050	1	Housing-Manual
32	32105-14	4	Screw-SHH
33	106-0841	1	Decal-Control Panel
34	99-8509	1	Spacer
35	1-303020	1	Grip-Lever
36	323-10	1	Screw-HH
37	98-4387	1	Decal-Protection, Ear
38	105-0884	1	Decal-Danger
39	1-403121	1	Switch-Key
40	63-8360	1	Key-Ignition
41	104-7048	1	Cap-Housing



## Deck Assembly

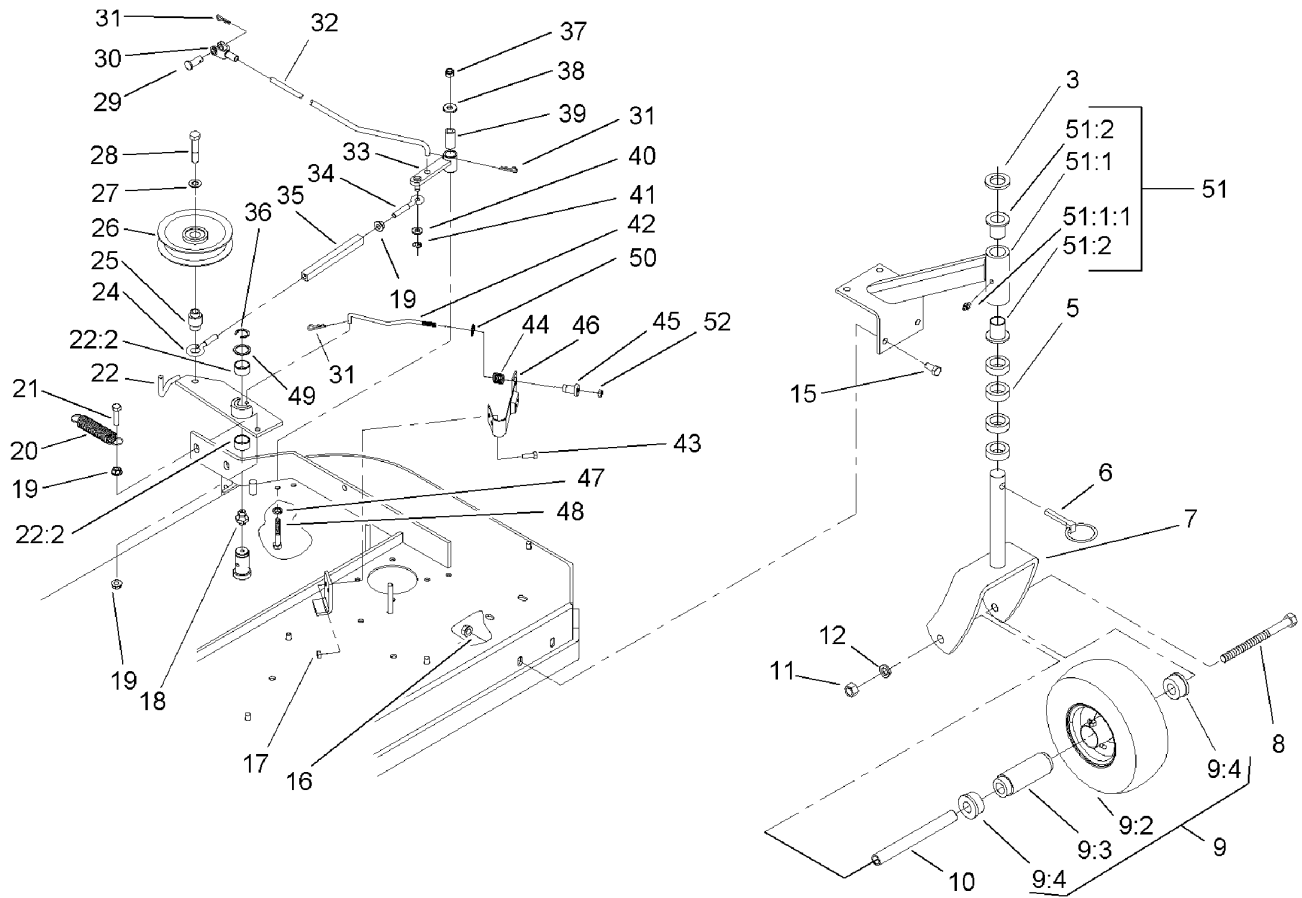
Ref	Part No.	Qty.	Description
1	1-304258	1	Belt Shield ASM
1:5	106-0711	1	Decal
3	106-4161	4	Knob-Handle
4	1-323417	4	Washer
5	1-303536	2	Stud-Shield, Belt (Long)
6	1-303537	2	Stud-Shield, Belt (Short)
9	107-4214	1	Deck ASM
9:1	1-302189-01	1	Baffle-Dogleg
9:3	1-403005	1	Decal-Danger
9:5	322-2	8	Screw-HH
9:6	32128-20	8	Nut-HF
9:10	66-1340	1	Decal-Danger
9:11	93-1122	1	Decal-Danger
9:13	98-3296	1	Decal-Routing, Belt
9:14	98-5130	1	Decal-Torque, Bolt
15	107-4140	1	Deflector ASM
17	105-4622	1	Spacer
18	104-8554	1	Spring-Torsion
19	3296-29	1	Nut-Lock, NI
20	323-8	6	Screw-HH
21	98-5975	6	Washer-Belleville
22	3290-357	6	Nut-HHF
25	322-50	1	Screw-HH

--	--	--	--



### Deflector Assembly No. 107-4140

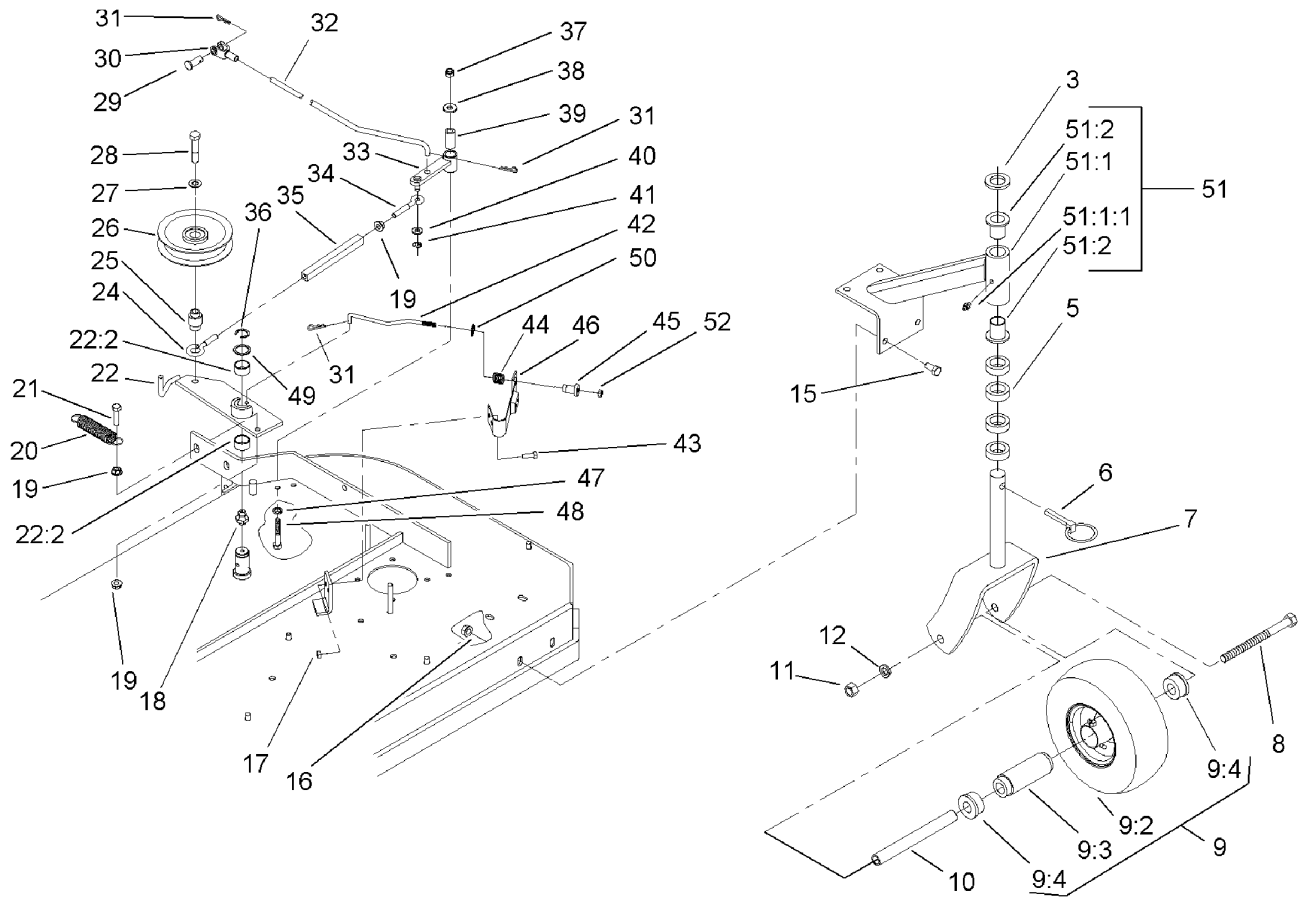
Ref	Part No.	Qty.	Description
1	3231-4	3	Screw-CARR
2	107-4138-01	1	Strap-Deflector, Top
3	107-4139-01	1	Strap-Discharge
4	107-4137	1	Deflector-Rubber
5	107-4164-01	1	Bracket-Mounting, Deflector
6	3296-39	3	Nut-Lock, NI



## Front Caster and Blade Brake Assembly

Ref	Part No.	Qty.	Description
3	1-513338	2	Washer-Flat
5	1-303314	8	Spacer-Caster
6	1-809020	2	Pin
7	1-322145-01	2	Fork
8	325-20	2	Screw-HH
9	1-513648	2	Wheel And Tire ASM
9:2	1-513808	1	Tire
9:3	1-513809	1	Bearing
9:4	1-513810	2	Bushing
10	1-513547	2	Spacer
11	3217-9	2	Nut-Hex
12	3253-7	2	Washer-Lock
15	323-4	8	Screw-HH
16	3290-357	8	Nut-HHF
17	3296-42	2	Nut-Lock, NI
18	302-19	1	Fitting-Grease
19	32128-20	3	Nut-HF
20	1-323071	1	Spring-Extension
21	322-6	1	Screw-HH
22	103-3600	1	Idler Arm ASM
22:2	1-323729	2	Sleeve-Bearing
24	1-303348	1	Eyebolt-Thread, LH
25	1-303434	1	Bushing-Engagement
26	1-603843	1	Pulley-Idler

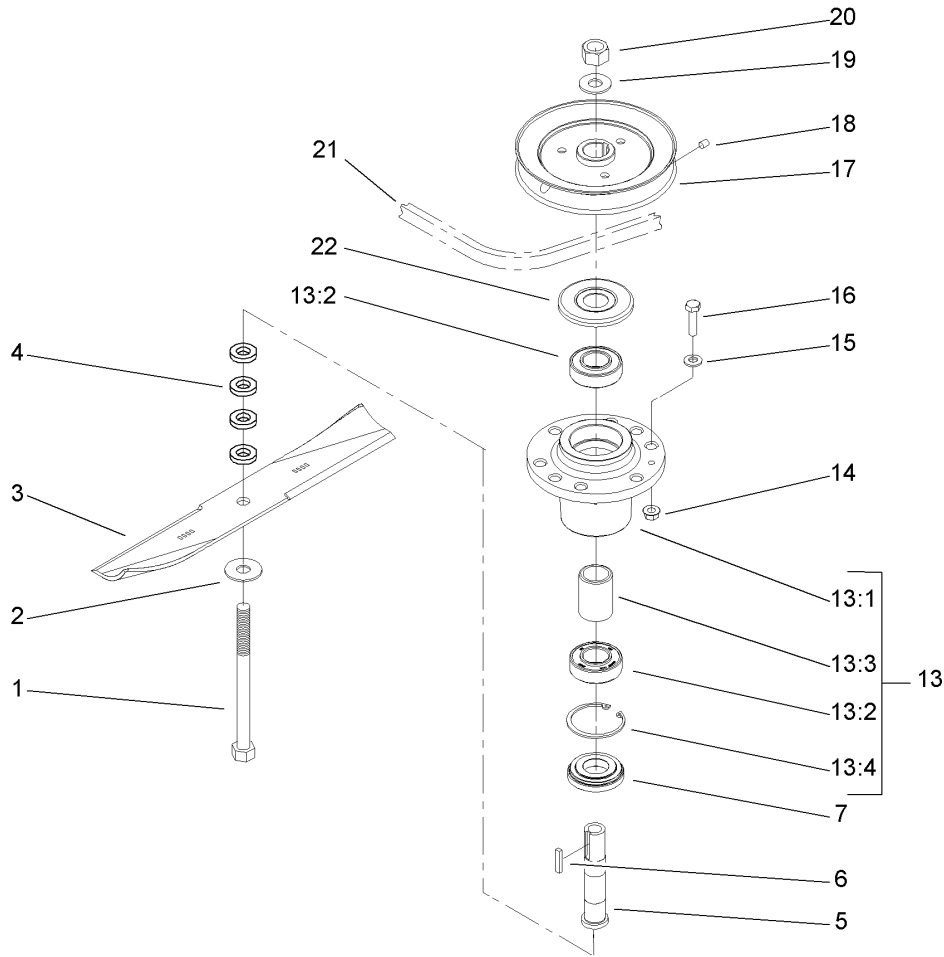
Ref	Part No.	Qty.	Description
27	98-5975	1	Washer-Belleville
28	702809	1	Screw-Cap
29	1-808280	1	Pin-Clevis
30	1-303105	1	Yoke-Adjustable
31	1-806003	3	Pin-Hair
32	1-323303	1	Linkage-Arm
33	1-322235	1	Arm-Assist
34	1-303238	1	Eyebolt-Thread, RH
35	1-303236	1	Body-Turnbuckle
36	32151-103	1	Ring-Snap
37	3296-29	1	Nut-Lock, NI
38	3256-3	1	Washer-Flat
39	1-403179	1	Tube-Pivot
40	3256-23	1	Washer-Flat
41	32120-35	1	E-Ring
42	1-323715	1	Rod-Brake
43	321-4	2	Screw-HH
44	1-323747	1	Spring-Compression
45	1-323746	1	Spacer-Flanged
46	1-324372	1	Pad / Spring ASM
47	1-303334	1	Washer-Spring
48	322-10	1	Screw-HH
49	1-303352	1	Washer-Spindle
50	1-323748	1	Ring-Push On



### Front Caster and Blade Brake Assembly (continued)

Ref	Part No.	Qty.	Description
51	1-302203	2	Support ASM
51:1		1	Support-Caster
51:1:1	302-52	1	Fitting-Grease
51:2	1-303514	2	Bearing-Flanged
52	3296-56	1	Nut-Lock, NI

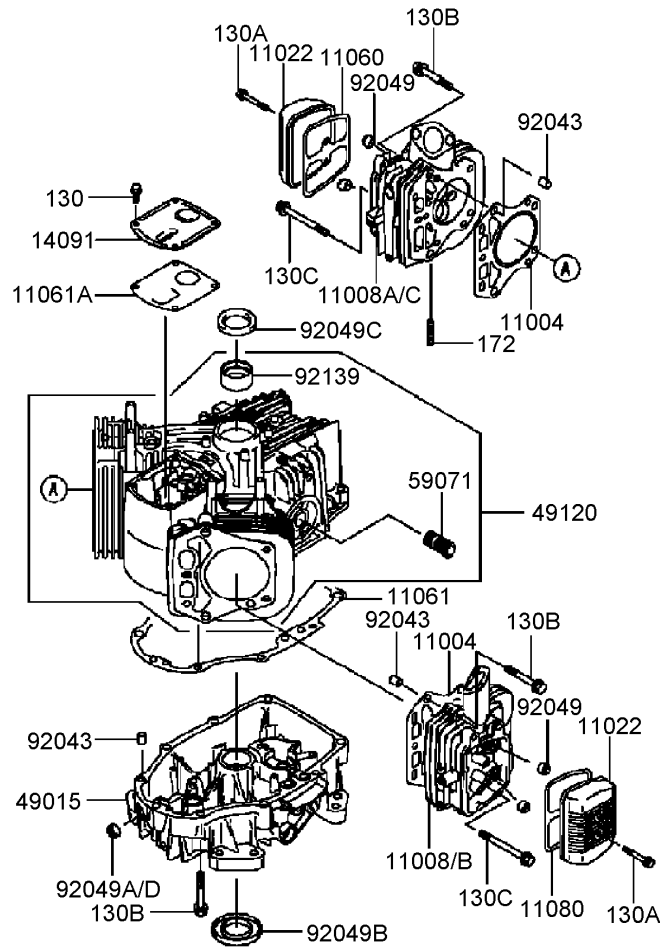
--	--	--	--



## Spindle, Blade and Belt Assembly

Ref	Part No.	Qty.	Description
1	1-800861	2	Screw-Cap, HH
2	1-513208	2	Washer-Spring
3	103-2508	2	Blade-Lift, Low
3	103-2528	2	Blade-Notched
4	1-323539	8	Spacer-Drive, Blade
5	1-323529	2	Tube-Spindle, Short
6	1-807267	2	Key
7	103-2535	2	Spacer-Guard, Bottom
13	103-8353	2	Cutter Housing ASM
13:1	103-7975	1	Housing-Spindle
13:2	103-2477	2	Bearing-Ball
13:3	103-2534	1	Spacer-Bearing
13:4	32120-8	1	Ring-Snap
14	32128-20	8	Nut-HF
15	1-303334	8	Washer-Spring
16	322-6	8	Screw-HH
17	1-403183	2	Sheave
18	1-803310	2	Screw-Set
19	1-323339	2	Washer-Retainer, Sheave
20	3219-6	2	Nut-Hex
21	1-323737	1	Belt-Blade, Drive
22	103-1330	2	Guard-Bearing, Top

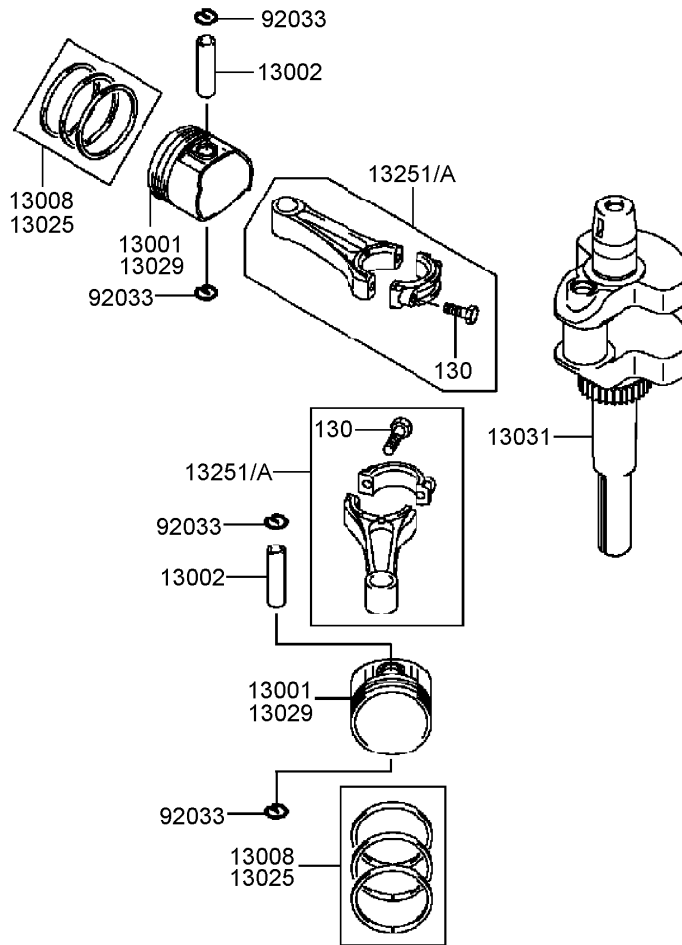
--	--	--	--



## Cylinder and Crankcase Assembly Kawasaki FH381V-AS25

Ref	Part No.	Qty.	Description
⑤11004	11004-7008	2	Gasket-Head
⑤11008	11008-7011	1	Head-Comp-Cylinder, No.2
⑤11008A	11008-7017	1	Head-Comp-Cylinder, No.1
⑤11008B	11008-7021	1	Head-Comp-Cylinder, #2
⑤11008C	11008-7022	1	Head-Comp-Cylinder, #1
⑤11022	11022-7003	2	Case-Rocker
⑤11060	11060-7001	2	Gasket-Case, Rocker
⑤11061	11061-7007	1	Gasket-Cover, Crankcase
⑤11061A	11061-7008	1	Gasket-Breather
⑤14091	14091-7007	1	Cover
⑤49015	49015-7032	1	Cover-Crankcase
⑤49120	49120-7015	1	Crankcase-Comp
⑤59071	59071-2079	1	Joint
⑤92043	92043-7001	6	Pin
⑤92049	92049-7001	4	Seal-Oil, Rvc2 (6x11x10.2)
⑤92049A	92049-7005	1	Seal-Oil,so 8x14x5 HS
⑤92049B	92049-7015	1	Seal-Oil, Sd (35x62x8 L Hs)
⑤92049C	92049-7016	1	Seal-Oil, Sd (35x48x8 R Hs)
⑤92049D	92049-7019	1	Seal-Oil, So (8x14x5 Hs)
⑤92139	92139-7002	1	Bushing
⑤130	130B0612	4	Bolt-Flanged
⑤130A	130B0640	4	Bolt-Flanged
⑤130B	130T0850	17	Bolt-Flanged
⑤130C	130T0875	2	Bolt-Flanged

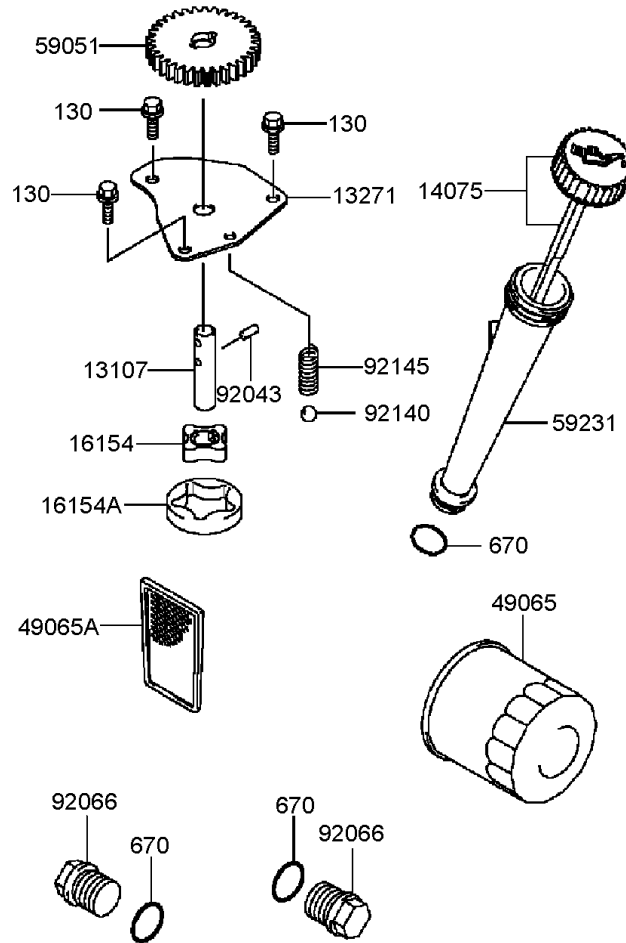
Ref	Part No.	Qty.	Description
⑤172	172G0818	4	Bolt-Stud



## Piston and Crankshaft Assembly Kawasaki FH381V-AS25

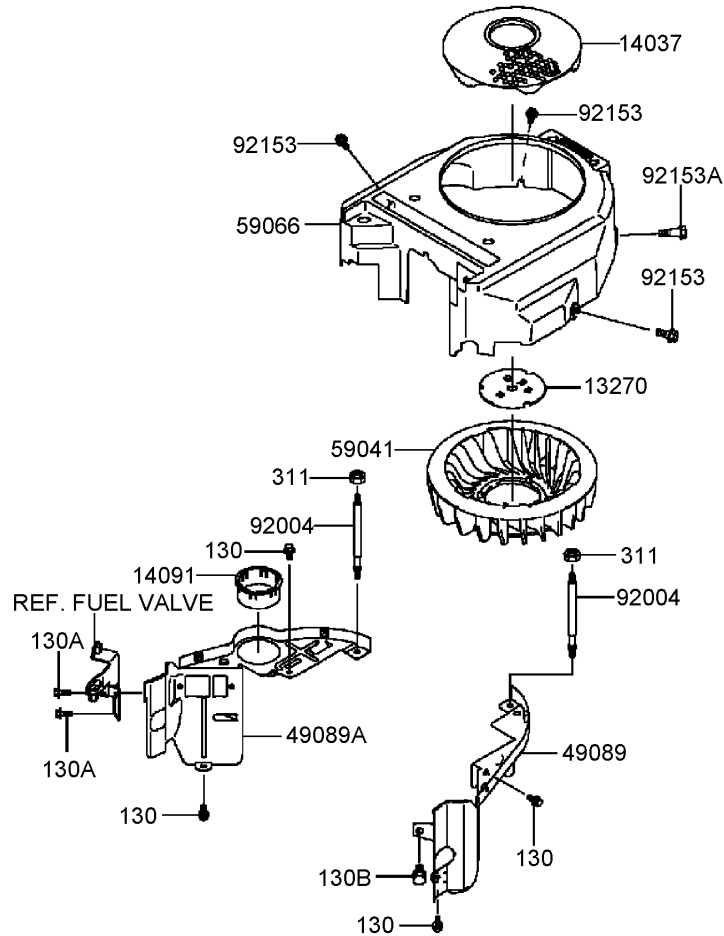
Ref	Part No.	Qty.	Description				
①13001	13001-7009	2	Piston-Engine				
①13002	13002-7001	2	Pin-Piston				
①13008	13008-7001	2	Ring-Set-Piston				
①13025	13025-7003	1	Ring-Set-Piston				
①13029	13029-7005	1	Piston-Engine				
①13031	13031-7033	1	Crankshaft-Comp				
①13251	13251-7007	2	Connecting Rod ASM				
①13251A	13251-7008	2	Connecting Rod Asm, U/s=0.50				
①92033	92033-7005	4	Ring-Snap				
①130	130G0630	4	Bolt-Flanged				





## Lubrication-Equipment Assembly Kawasaki FH381V-AS25

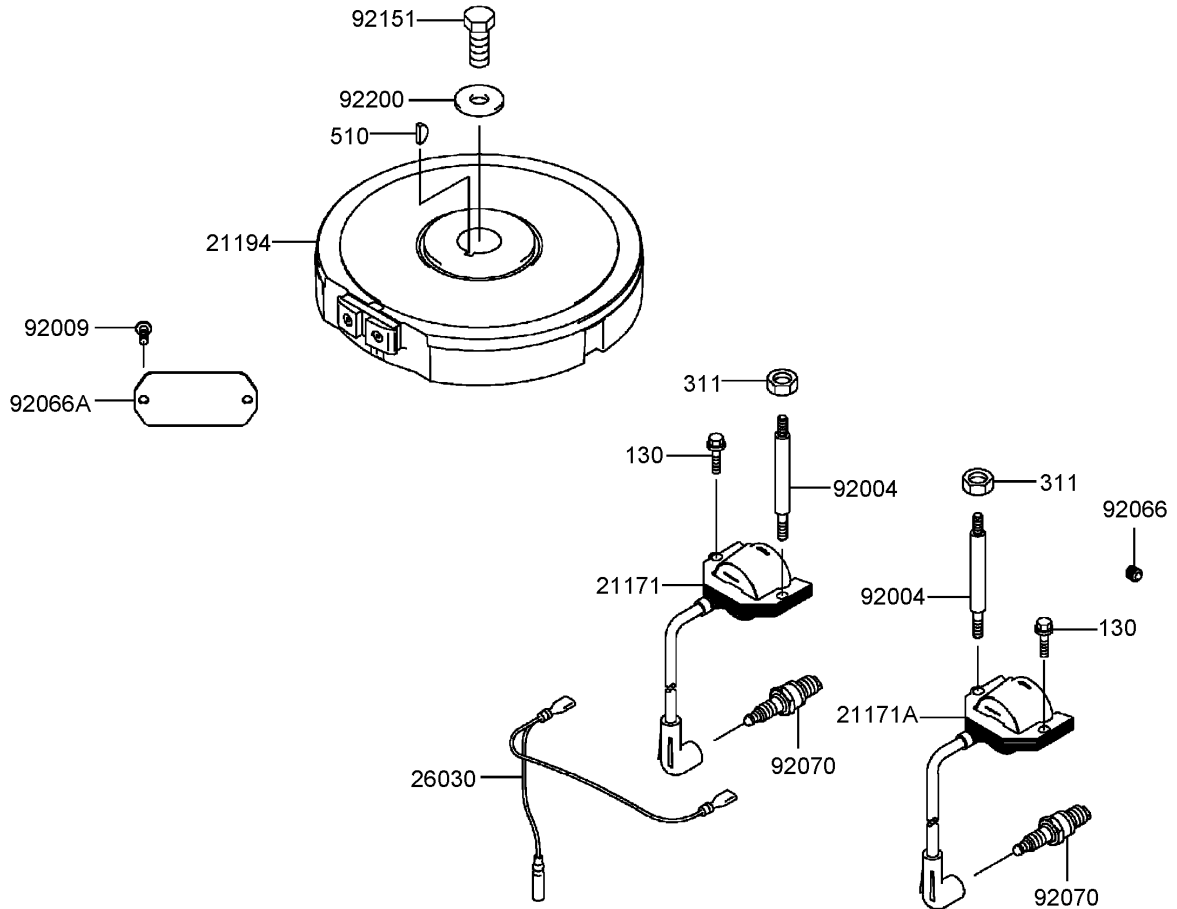
Ref	Part No.	Qty.	Description				
⑤13107	13107-7009	1	Shaft				
⑤13271	13271-7017	1	Plate				
⑤14075	14075-7009	1	Cap ASM				
⑤16154	16154-2053	1	Rotor-Pump (In)				
⑤16154A	16154-2054	1	Rotor-Pump (Out)				
⑤49065	49065-2078	1	Filter-Oil				
⑤49065A	49065-7004	1	Filter-Oil				
⑤59051	59051-7011	1	Gear-Spur				
⑤59231	59231-7003	1	Filler				
⑤92043	92043-7003	2	Pin				
⑤92066	92066-7003	2	Plug				
⑤92140	92140-7003	1	Ball				
⑤92145	92145-7002	1	Spring				
⑤130	130B0612	3	Bolt-Flanged				
⑤670	670D2016	3	O-Ring (16mm)				



## Cooling Equipment Assembly Kawasaki FH381V-AS25

Ref	Part No.	Qty.	Description
③13270	13270-7007	1	Plate
③14037	14037-7021-9H	1	Screen
③14091	14091-7009	1	Cover
③49089	49089-7044	1	Shroud-Engine
③49089A	49089-7045	1	Shroud-Engine
③59041	59041-7010	1	Fan
③59066	59066-7023	1	Housing-Fan
③92004	92004-7007	2	Stud
③92153	92153-7007	3	Bolt
③92153A	92153-7008	1	Bolt
③130	130B0612	4	Bolt-Flanged
③130A	130B0616	2	Bolt-Flanged
③130B	130B0816	1	Bolt-Flanged
③311	311F0600	2	Nut-Hex

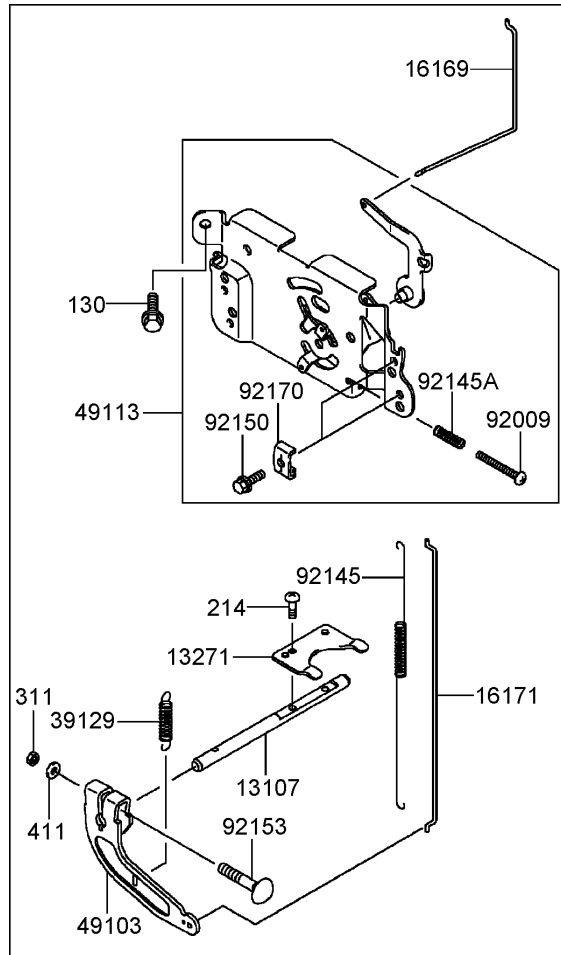
--	--	--	--



## Electric-Equipment Assembly Kawasaki FH381V-AS25

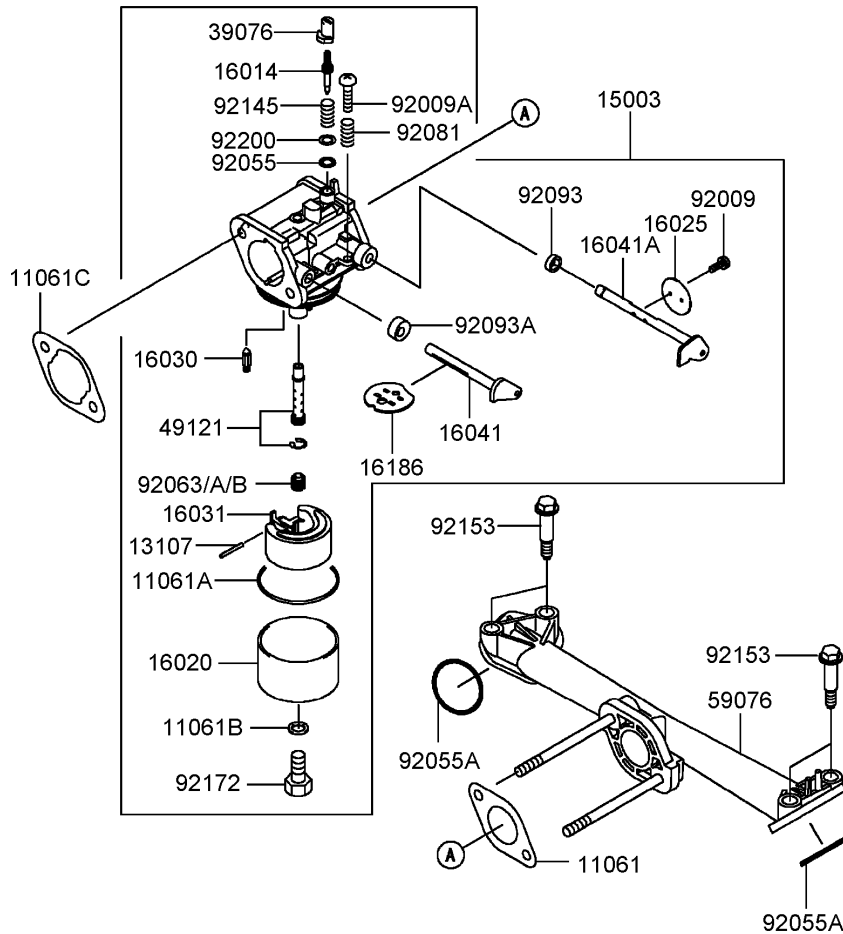
Ref	Part No.	Qty.	Description
①21171	21171-7013	1	Ignition Coil ASM
①21171A	21171-7014	1	Ignition Coil ASM
①21194	21194-7013	1	Flywheel-Comp
①26030	26030-7001	1	Harness
①92004	92004-7008	2	Stud
①92009	92009-2308	2	Screw
①92066	92066-7002	1	Plug
①92066A	92066-7005	1	Plug
①92070	92070-7003	2	Plug-Spark (Rcj8y, Solid)
①92151	92151-2097	1	Bolt (12x30)
①92200	92200-7002	1	Washer
①130	130B0620	2	Bolt-Flanged
①311	311F0600	2	Nut-Hex
①510	510A5100	1	Key-Woodruff

--	--	--	--



## Control-Equipment Assembly Kawasaki FH381V-AS25

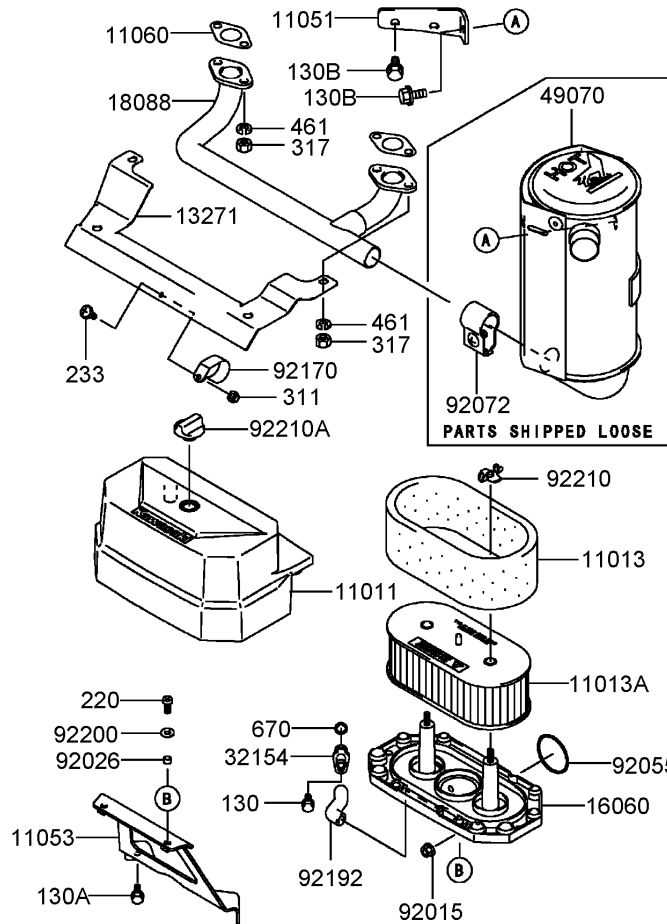
Ref	Part No.	Qty.	Description				
①13107	13107-7010	1	Shaft				
①13271	13271-7018	1	Plate				
①16169	16169-7012	1	Link-Choke				
①16171	16171-7007	1	Link				
①39129	39129-7003	1	Spring-Governor				
①49103	49103-7004	1	Arm-Governor				
①49113	49113-7024	1	Panel-Comp-Control				
①92009	92009-7007	1	Screw (4x35)				
①92145	92145-7003	1	Spring				
①92145A	92145-7005	1	Spring				
①92150	92150-2182	2	Bolt (5x18)				
①92153	92153-7005	1	Bolt,6x35				
①92170	92170-7001	2	Clamp				
①130	130B0612	2	Bolt-Flanged				
①214	214B0408	2	Screw-Pan				
①311	311B0600	1	Nut-Hex				
①411	411b0600	1	Washer-Plain				



## Carburetor Assembly Kawasaki FH381V-AS25

Ref	Part No.	Qty.	Description
①11061	11061-7004	1	Gasket-Insulator
①11061A	11061-7009	1	Gasket-Chamber
①11061B	11061-7010	1	Gasket-Screw
①11061C	11061-7018	1	Gasket-Cleaner, Air
①13107	13107-7018	1	Shaft
①15003	15003-7054	1	Carburetor-ASM
①16014	16014-7002	1	Screw-Pilot
①16020	16020-7003	1	Chamber-Float
①16025	16025-7006	1	Valve-Throttle
①16030	16030-7003	1	Valve-Float
①16031	16031-7002	1	Float
①16041	16041-7016	1	Shaft-Carburetor, Choke
①16041A	16041-7018	1	Shaft-Carburetor, Throttle
①16186	16186-7002	1	Choke Valve ASM
①39076	39076-7001	1	Limiter
①49121	49121-7002	1	Nozzle-Main
①59076	59076-7005	1	Manifold-Intake
①92009	92009-2083	2	Screw
①92009A	92009-2349	1	Screw
①92055	92055-2174	1	Ring-O
①92055A	92055-7007	2	Ring-O, Id=31
①92063	92063-7027	1	Jet-Main-#78
①92063A	92063-7030	1	Jet-Main-#75
①92063B	92063-7031	1	Jet-Main-#72

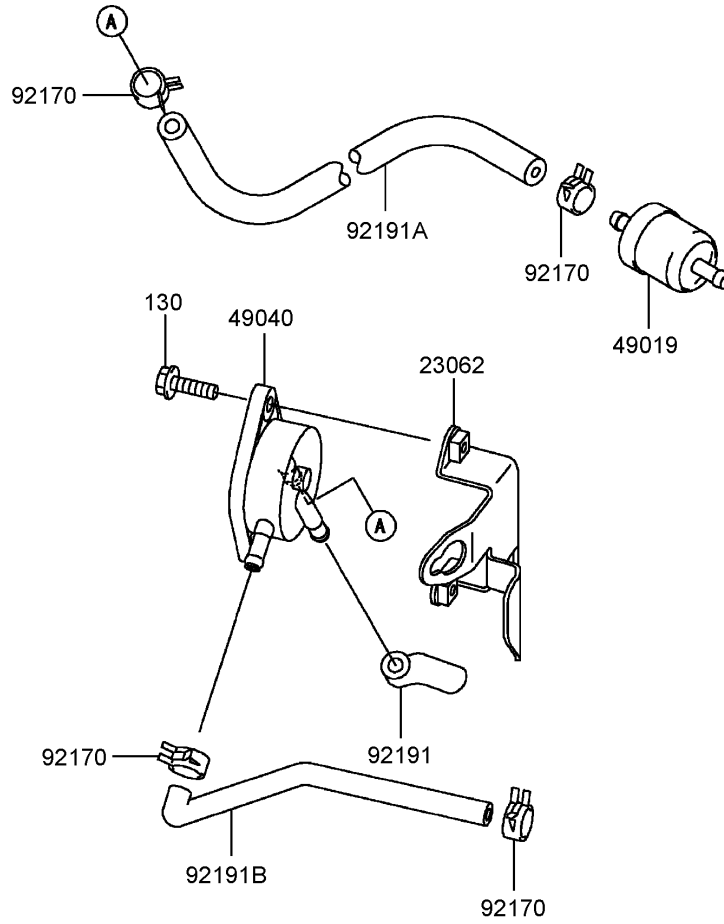
Ref	Part No.	Qty.	Description
①92081	92081-2234	1	Spring
①92093	92093-2100	1	Seal
①92093A	92093-7003	1	Seal
①92145	92145-7015	1	Spring
①92153	92153-7009	4	Bolt
①92172	92172-7002	1	Screw
①92200	92200-7014	1	Washer



## Air-Filter and Muffler Assembly Kawasaki FH381V-AS25

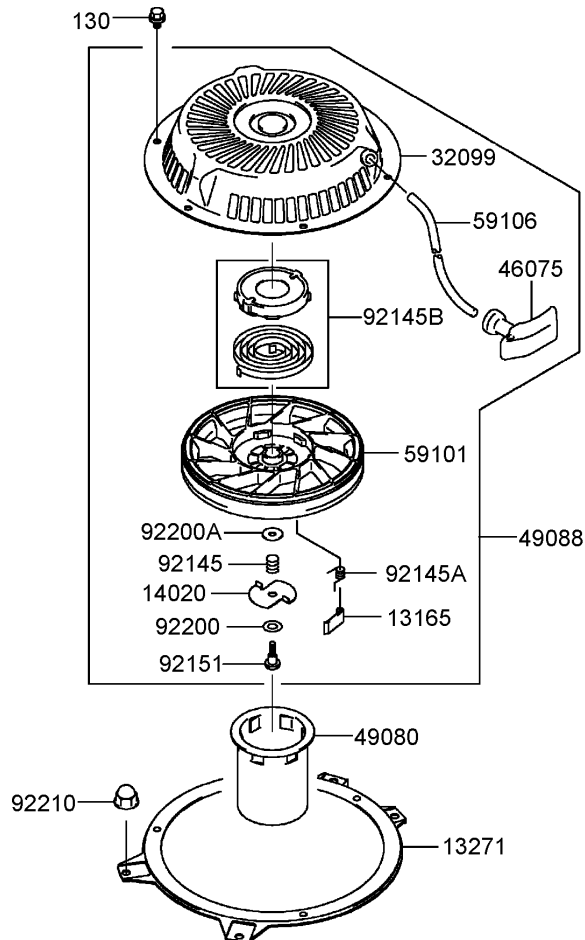
Ref	Part No.	Qty.	Description
⑤11011	11011-7035	1	Case-Air Filter
⑤11013	11013-7025	1	Element-Filter, Air
⑤11013A	11013-7031	1	Element-Filter, Air
⑤11051	11051-7005-9H	1	Bracket
⑤11053	11053-7022	1	Bracket
⑤11060	11060-7021	2	Gasket-Muffler
⑤13271	13271-7022	1	Plate
⑤16060	16060-7016	1	Pipe-Intake
⑤18088	18088-7001	1	Pipe-Exhaust
⑤32154	32154-7006	1	Pipe
⑤49070	49070-7015	1	Muffler-Comp
⑤92015	92015-1193	2	Nut
⑤92026	92026-7001	2	Spacer, 6.2x7.9x5
⑤92055	92055-7015	1	O-Ring
⑤92072	92072-7008	1	Band
⑤92170	92170-7002	1	Clamp
⑤92192	92192-7010	1	Tube
⑤92200	92200-2070	2	Washer
⑤92210	92210-7004	2	Nut
⑤92210A	92210-7019	1	Nut
⑤130	130B0610	1	Bolt-Flanged
⑤130A	130B0612	2	Bolt-Flanged
⑤130B	130B0816	2	Bolt-Flanged

Ref	Part No.	Qty.	Description
⑤220	220B0614	2	Screw-Pan (Cross)
⑤233	233B0416	1	Screw-Pan-Wp+-
⑤311	311B0400	1	Nut-Hex
⑤317	317R0800	4	Nut-Hex, Small
⑤461	461F0800	4	Washer-Spring
⑤670	670B2010	1	O-Ring



## Fuel Tank/Fuel Valve Assembly Kawasaki Model FH381V-AS25

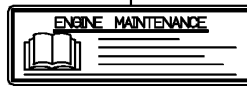
Ref	Part No.	Qty.	Description				
③23062	23062-7004-9H	1	Bracket-Comp				
③49019	49019-7001	1	Filter-Fuel				
③49040	49040-7001	1	Pump-Fuel				
③92170	92170-2088	4	Clamp				
③92191	92191-7002	1	Tube				
③92191A	92191-7003	1	Tube (6.35x12.7x160)				
③92191B	92191-7004	1	Tube				
③130	130B0620	2	Bolt-Flanged				



## Starter Assembly Kawasaki FH381V-AS25

Ref	Part No.	Qty.	Description				
③13165	13165-7001	2	Pawl-Starter, Recoil				
③13271	13271-7003-9H	1	Plate				
③14020	14020-7001	1	Retainer				
③32099	32099-7002	1	Case-Starter, Recoil				
③46075	46075-7001	1	Grip-Recoil, Starter				
③49080	49080-7001	1	Pulley-Starting				
③49088	49088-7013	1	Starter-Recoil				
③59101	59101-7001	1	Reel-Recoil				
③59106	59106-7001	1	Rope				
③92145	92145-7006	1	Spring				
③92145A	92145-7007	2	Spring				
③92145B	92145-7008	1	Spring				
③92151	92151-7008	1	Bolt				
③92200	92200-7004	1	Washer				
③92200A	92200-7005	1	Washer				
③92210	92210-0003	4	Nut				
③130	130B0608	3	Bolt-Flanged				

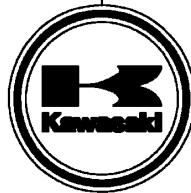
56033



56070



56080



56080A



## Decal Assembly Kawasaki FH381V-AS25

Ref	Part No.	Qty.	Description				
⑤56033	56033-7001	1	Label-Manual				
⑤56070	56070-7001	1	Label-Warning				
⑤56080	56080-2077	1	Label-Brand				
⑤56080A	56080-7025	1	Label-Brand				

## NOTES

# NOTES

