



Mid-Size ProLine, T-Bar, Gear Drive 15 HP with 44in Side Discharge Mower

Model No. 30318 - 250000001 and up.

Parts Catalog

Ordering Replacement Parts

To order replacement parts, please supply the part number, the quantity, and the description of each part desired.

Understanding Reference Numbers

Each Identified part in an illustration has a reference number. The reference number for a part also appears in the parts list, along with other information about the part.

This catalog uses two special reference number formats, one to indicate parts in a service assembly and another to indicate the quantity of a given part in an illustration.

Service Assembly Reference Numbers

Parts in service assemblies have reference numbers in the form a:b. The a represents the reference number of the entire service assembly and the b represents a sequential number unique to each part within the service assembly.

For example, a wheel assembly might be identified by reference number 6, the tire by 6:1, the valve by 6:2, and the wheel by 6:3. When you order the assembly identified by reference number 6, you receive all parts identified by reference numbers 6:1, 6:2, and 6:3. However, you may also order any part individually. Reference numbers of this type appear in illustrations and in part lists.

Reference Numbers Indicating Quantity

In an illustration, if a reference number indicates more than one part, the reference number has the form nX y. The n represents the quantity of the part, the X is the multiplication symbol, and the y represents the reference number.

For example, in an illustration, the reference number 2X 37 means that two of the parts identified by reference number 37 are indicated.

Contents

Description	Page	Description	Page
Engine Installation Assembly 3	Oil Pan/Lubrication Assembly Kohler CV15T-41629 19
Fuel Tank Assembly 4	Head/Valve/Breather Assembly Kohler CV15T-41629 20
Lower Control Assembly 5	Ignition/Electrical Assembly Kohler CV15T-41629 21
Transmission Drive Assembly 6	Blower Housing and Baffle Assembly Kohler CV15T-41629 22
Wheel Drive and Brake Assembly 7	Starting System Assembly Kohler CV15T-41629 23
Upper Handle Assembly 8	Fuel System Assembly Kohler CV15T-41629 24
Control Panel Assembly 9	Engine Control Assembly Kohler CV15T-41629 25
Carrier Frame Assembly 10	Air Intake/Filtration Assembly Kohler CV15T-41629 26
Spindle, Pulley and Belt Assembly 11	Exhaust Assembly Kohler CV15T-41629 27
Spindle Assembly No. 106-0786 12	Attachments and Accessories List 28
Spindle Assembly No. 106-0784 13		
Deck Assembly 14		
Deflector Assembly No. 107-4194 15		
Drive Belt and Tensioner Assembly 16		
Crankshaft Assembly Kohler CV15T-41629 17		
Crankcase Assembly Kohler CV15T-41629 18		

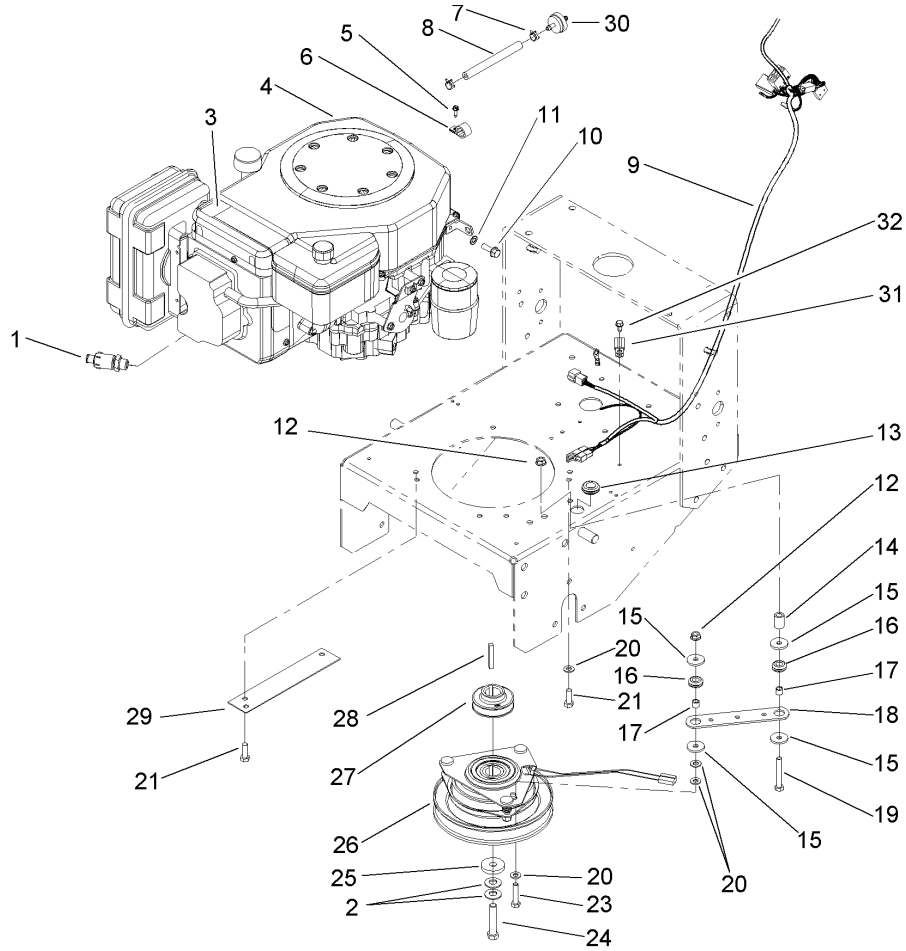
Part Description Abbreviations

Part descriptions in this catalog may include the following abbreviations.

AR. as required	HYD. hydraulic
ASM. assembly	INC. incorporated
CARR. carriage	LH. left hand
DEG. degrees	NI. nylon insert
FH. flat head	PPH. phillips pan head
GA. gauge	PTH. phillips truss head
HF. hex flange	PTO. power take off
HH. hex head	RH. right hand
HHF. hex head flange	SFH. slotted fillister head
HHFTF. hex head flange thread forming	SHH. slotted hex head
HJ. hex jam	SHWH. slotted hex washer head
HLH. hex lag head	SPH. slotted pan head
HOC. height-of-cut	SQH. square head
HS. hex	SRH. slotted round head
HSBH. hex socket button head	STD. standard
HSFH. hex socket flat head	TAP. self tapping
HSH. hex socket head	TTH. torx truss head
HWH. hex washer head	WH. wing head
HWHTF. hex washer head thread forming	

Footnotes

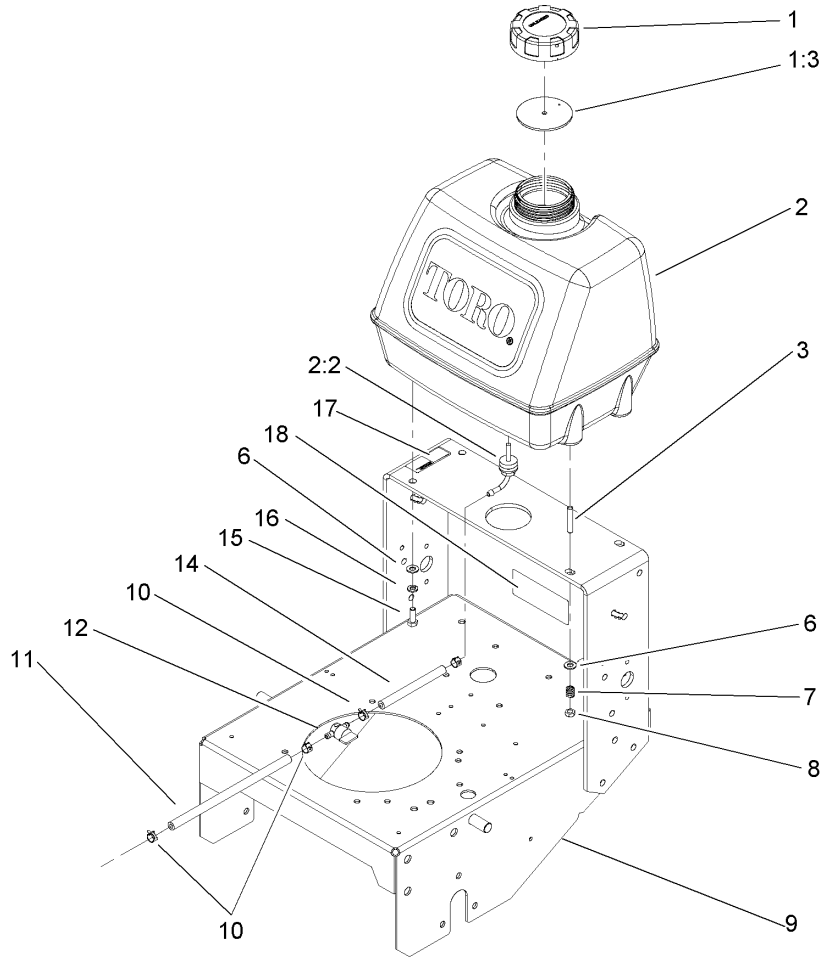
- | | |
|--|----------------------------------|
| <p>❶ Not illustrated</p> <p>❸ Obtain Parts From Your Local Kohler Dealer</p> | <p>❷ Not serviced separately</p> |
|--|----------------------------------|



Engine Installation Assembly

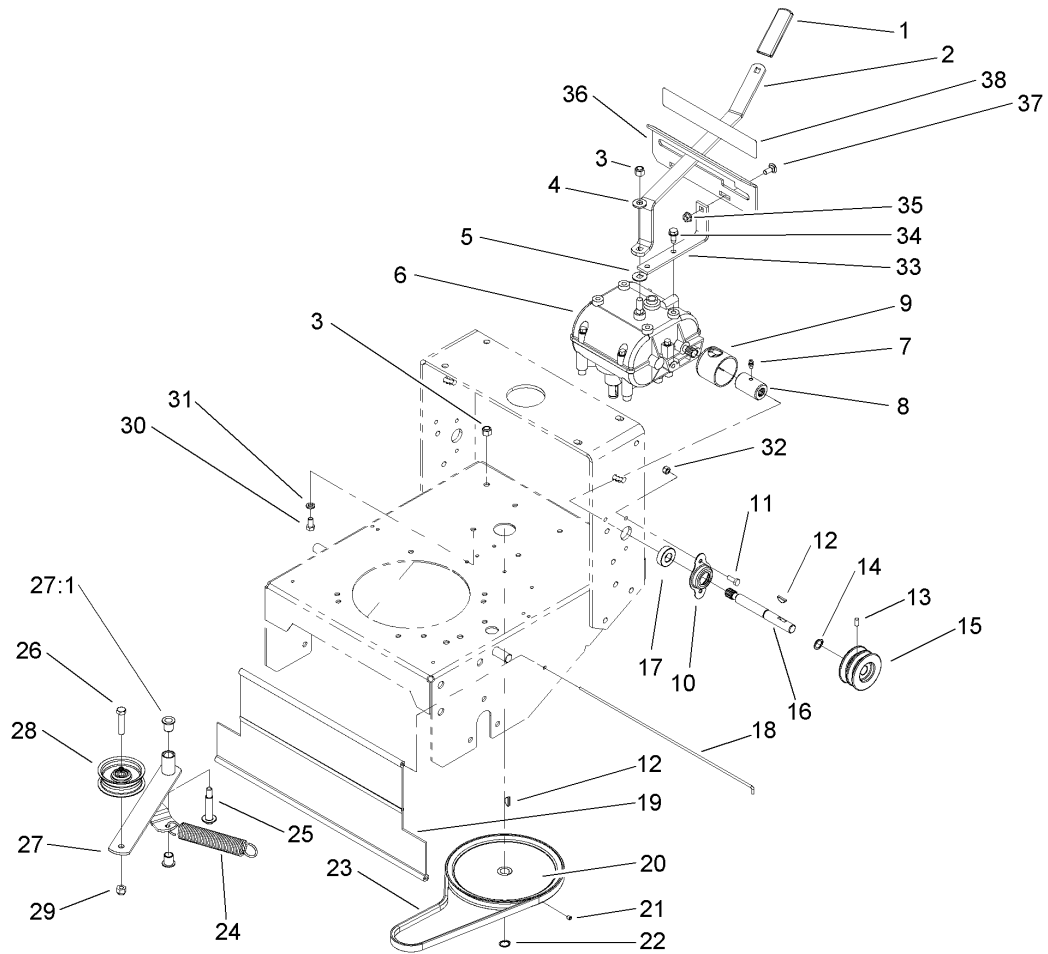
Ref	Part No.	Qty.	Description
1	92-6877	1	Valve-Drain, Oil
2	1-603610	2	Washer-Spring
3	106-0699	1	Decal-Warning, Hot Surfaces
24		1	Engine-Kohler, Cv15t-41629
5	32144-19	1	Screw-SHWH
6	2412-87	1	Clamp-Cable
7	2412-98	2	Clamp
8	47-2982	1	Hose-Fuel
9	104-8136	1	Harness-Wire
10	33104-025	1	Screw-HHF
11	3255-8	1	Washer-Lock
12	32128-20	2	Nut-HF
13	237-124	1	Grommet
14	104-6373	1	Tube-Retainer
15	1-613235	4	Washer
16	1-633630	2	Grommet-Brake
17	1-633545	2	Spacer
18	1-633543-03	1	Strap-Clutch, Brake
19	322-11	1	Screw-HH
20	3256-23	5	Washer-Flat
21	33114-025	4	Screw-HH
23	322-7	1	Screw-HH
24	3212-9	1	Screw-HH
25	107-4136	1	Washer

Ref	Part No.	Qty.	Description
26	105-2635	1	Clutch / Brake
27	107-4112	1	Pulley-Drive
28	608006	1	Key-Square
29	94-5847-01	1	Cover-Pulley
30	56-6360	1	Filter-Fuel
31	2412-134	1	R-Clamp
32	12-3270	1	Screw
99	103-1964	1	Hose-Drain, Oil



Fuel Tank Assembly

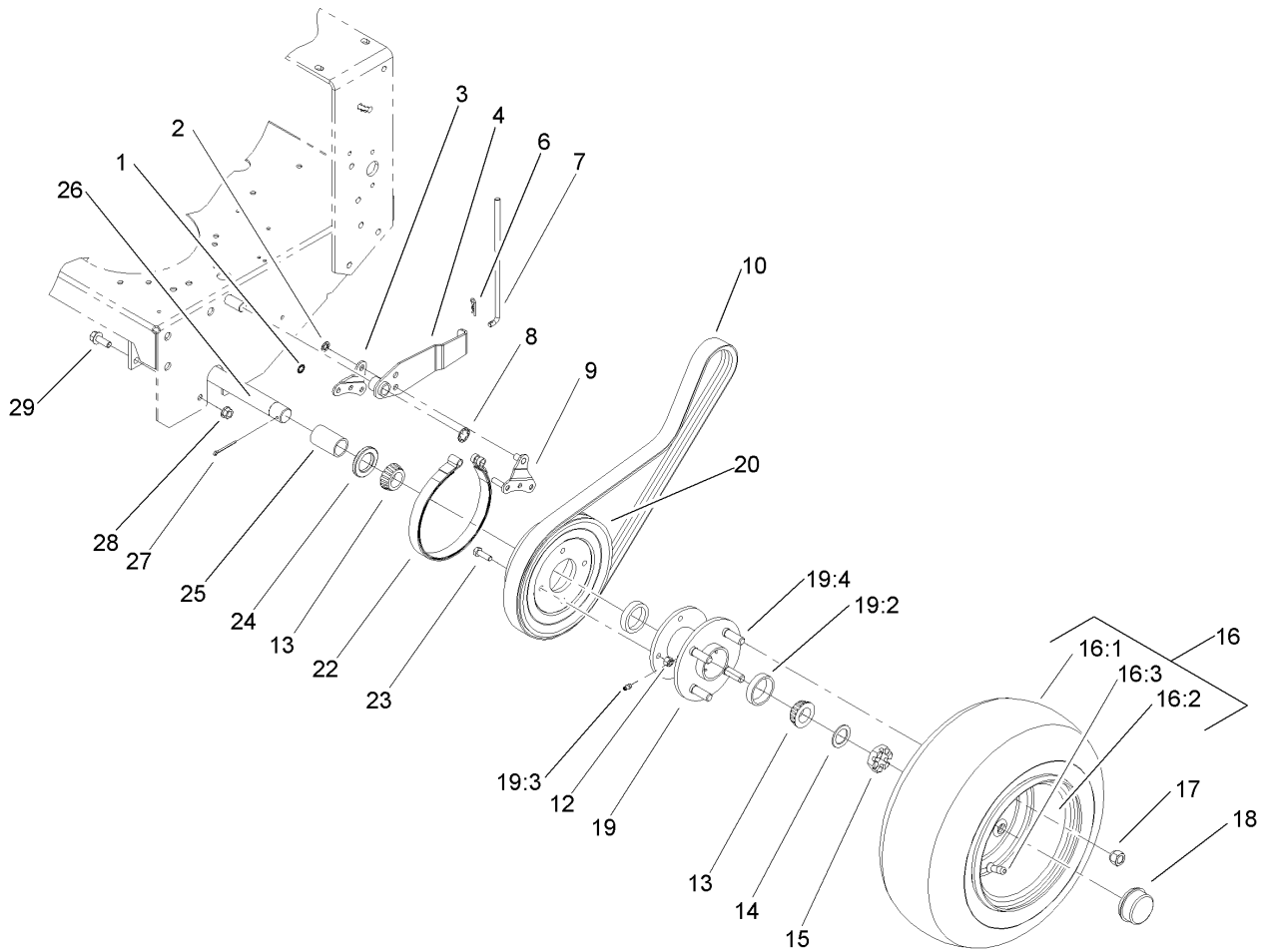
Ref	Part No.	Qty.	Description
1	88-3980	1	Gas Cap ASM
1:3	88-4010	1	Gasket-Cap, Gas
2	106-0730	1	Fuel Tank ASM
2:2	103-2605	1	Fitting-Fuel, Bulkhead
3	104-8121	2	Stud-Threaded
6	3256-23	4	Washer-Flat
7	1-633349	2	Spring-Tank, Fuel
8	3296-47	2	Nut-Lock, NI
9	106-0546-01	1	Gear Frame ASM
10	2412-98	4	Clamp
11	47-2982	1	Hose-Fuel
12	1-603770	1	Valve-Fuel
14	47-2966	1	Hose-Fuel
15	322-4	2	Screw-HH
16	3253-4	2	Washer-Lock
17	95-2814	1	Decal-Shut Off, Fuel
18	98-0776	1	Decal-Caution



Transmission Drive Assembly

Ref	Part No.	Qty.	Description
1	47-1970	1	Grip
2	98-3274-03	1	Lever-Shift
3	3296-6	2	Nut-Lock
4	98-5975	1	Washer-Belleville
5	1-323379	1	Washer
6	1-323500	1	Transmission
7	302-5	2	Fitting-Grease
8	1-323680	2	Coupler
9	51-4220	2	Guard-Coupler
10	1-323254	2	Flange-Output
11	321-4	4	Screw-HH
12	3257-5	3	Key-Woodruff
13	3245-9	2	Screw-Set
14	32151-62	2	Ring-Retaining
15	105-2698	2	Pulley-Transmission
16	104-1102	2	Shaft-Output
17	1-323252	2	Bearing-Shaft
18	95-1529	1	Rod-Shield
19	95-1526	1	Shield-Trailing
20	105-5646	1	Pulley-Driven
21	3245-1	1	Screw-Set, HSH
22	32120-64	1	Ring-Snap, External
23	105-5668	1	V-Belt
24	68-2190	1	Spring

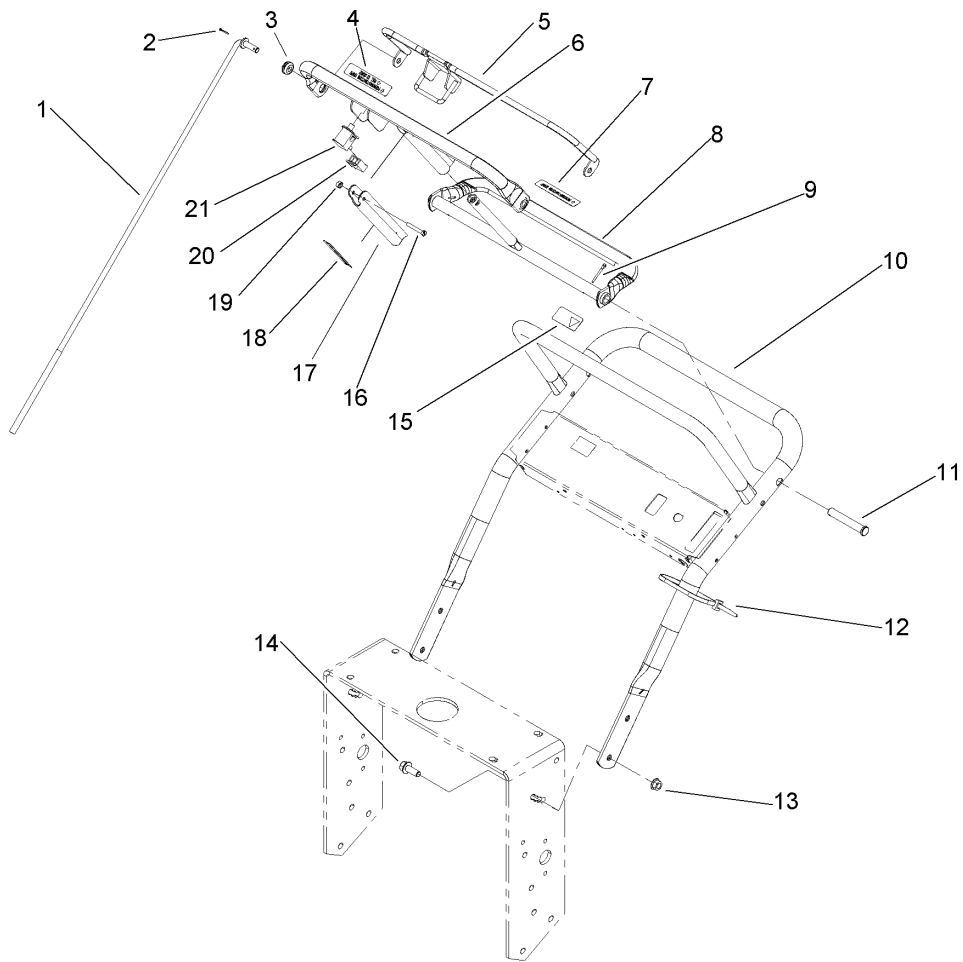
Ref	Part No.	Qty.	Description
25	27-6230	1	Bolt-Wheel
26	323-9	1	Screw-HH
27	16-7509	1	Lever-Idler
27:1	256-155	2	Bushing-Flange
28	62-4540	1	Pulley
29	3296-39	1	Nut-Lock, NI
30	322-2	4	Screw-HH
31	3253-4	4	Washer-Lock
32	3296-42	4	Nut-Lock, NI
33	1-323389-03	2	Bracket-Plate, Shift
34	9264964	4	Screw-Hwh, Thread Cut
35	32128-20	2	Nut-HF
36	1-323387-03	1	Plate-Shift
37	3230-1	2	Bolt-CARR
38	98-3256	1	Decal-Speed, Ground



Wheel Drive and Brake Assembly

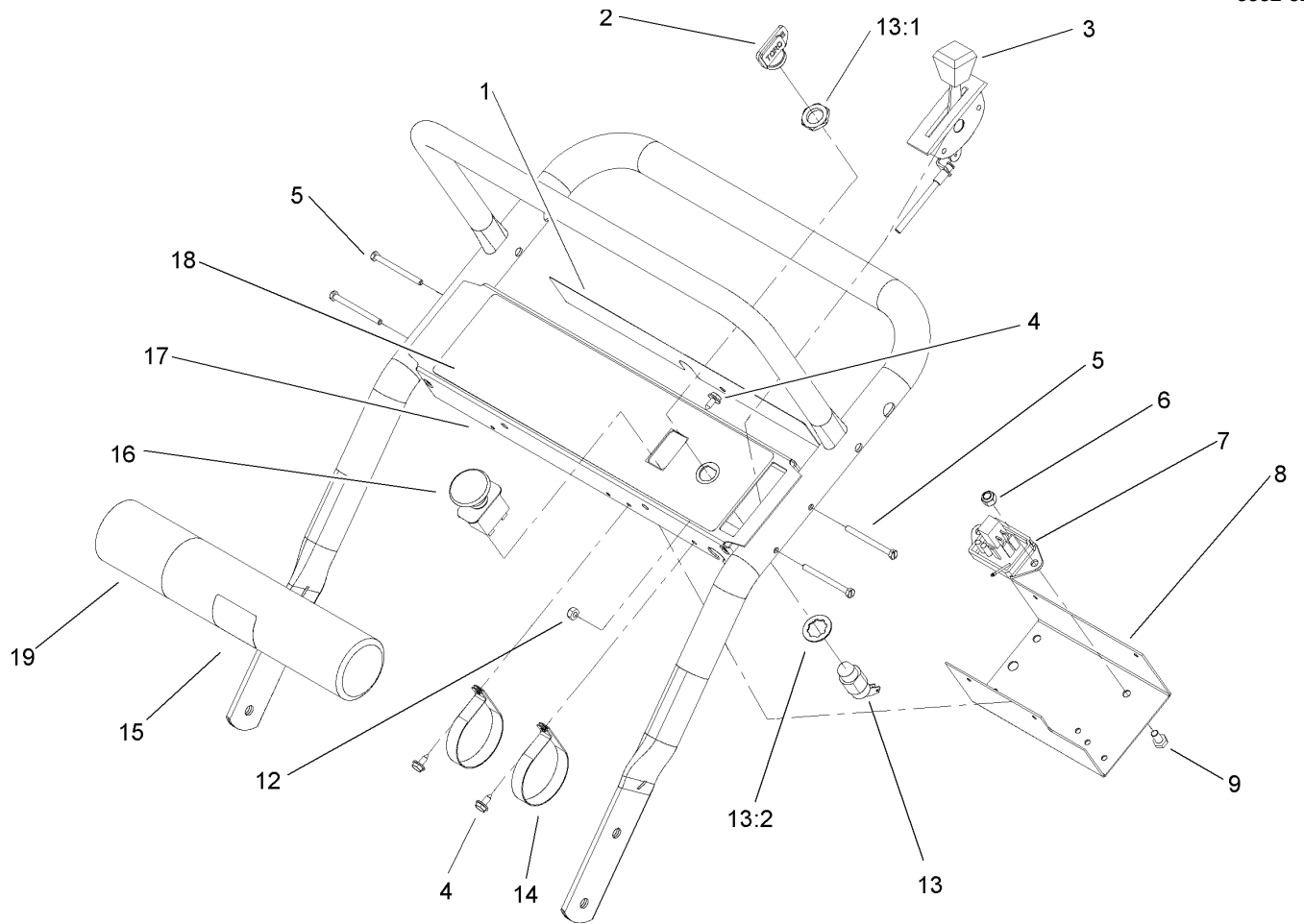
Ref	Part No.	Qty.	Description
1	32151-72	4	Ring-Retaining
2	32151-56	2	Ring-Retaining, External
3	106-8792	2	Plate-Link, Brake
4	106-8779-01	2	Brake Arm ASM
6	3290-307	2	Pin-Hair
7	51-4580	2	Rod-Brake
8	32151-40	2	Ring-Retaining
9	106-8773	2	Brake Link ASM
10	51-4290	2	V-Belt
12	3296-29	8	Nut-Lock, NI
13	254-94	4	Bearing-Cone, Tapered
14	1-523157	2	Washer-Spacer
15	1-809082	2	Nut-SHH
16	106-0892	2	Wheel And Tire ASM
16:1	104-6322	1	Tire
16:2	106-0893	1	Wheel
16:3	232-27	1	Stem-Valve
17	242-50	8	Nut-Lug
18	241-119	2	Cap-Dust
19	1-413333	2	Hub/wheel ASM
19:2	254-72	2	Bearing-Cup, Tapered
19:3	302-19	1	Fitting-Grease
19:4	1-633926	4	Stud-Wheel
20	106-5544	2	Pulley-Wheel

Ref	Part No.	Qty.	Description
22	1-323262	2	Band-Brake
23	322-5	8	Screw-HH
24	1-543511	2	Seal-Grease
25	104-1197	2	Spacer-Wheel
26	104-1196-01	1	Axle ASM
27	1-806800	2	Pin-Cotter
28	32128-21	6	Nut-HF
29	3234-11	6	Screw-HHF



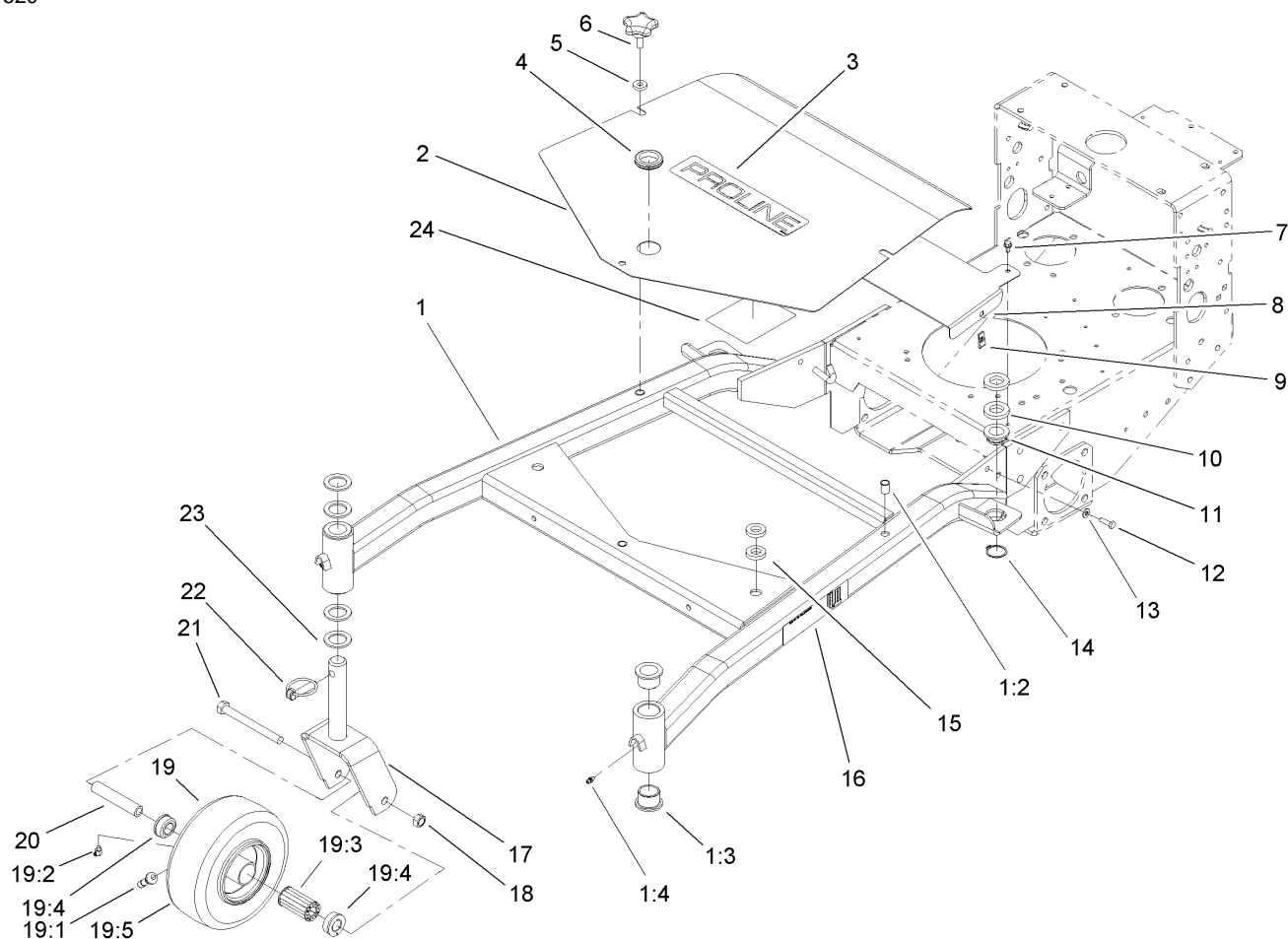
Upper Handle Assembly

Ref	Part No.	Qty.	Description
1	105-4677	2	Rod-Control
2	3272-4	2	Pin-Cotter
3	237-141	2	Grommet-Rubber
4	82-2290	1	Decal
5	82-7680-03	1	Bail ASM
6	82-7690-03	1	Bar-Control
7	82-2280	1	Decal
8	106-5477-03	1	Control Pivot ASM
9	3272-11	2	Pin-Cotter
10	105-3158-03	1	Upper Handle ASM
11	283-55	2	Pin-Clevis
12	3290-378	1	Tie-Cable
13	32128-21	4	Nut-HF
14	3234-11	4	Screw-HHF
15	98-4387	1	Decal-Protection, Ear
16	32105-1	1	Screw-SHH
17	51-4850-03	1	Lever-Brake, Parking
18	52-2010	1	Decal-Lever, Parking
19	3296-2	1	Nut-Lock
20	218-595	1	Connector-Body
21	82-2190	1	Switch-Bail



Control Panel Assembly

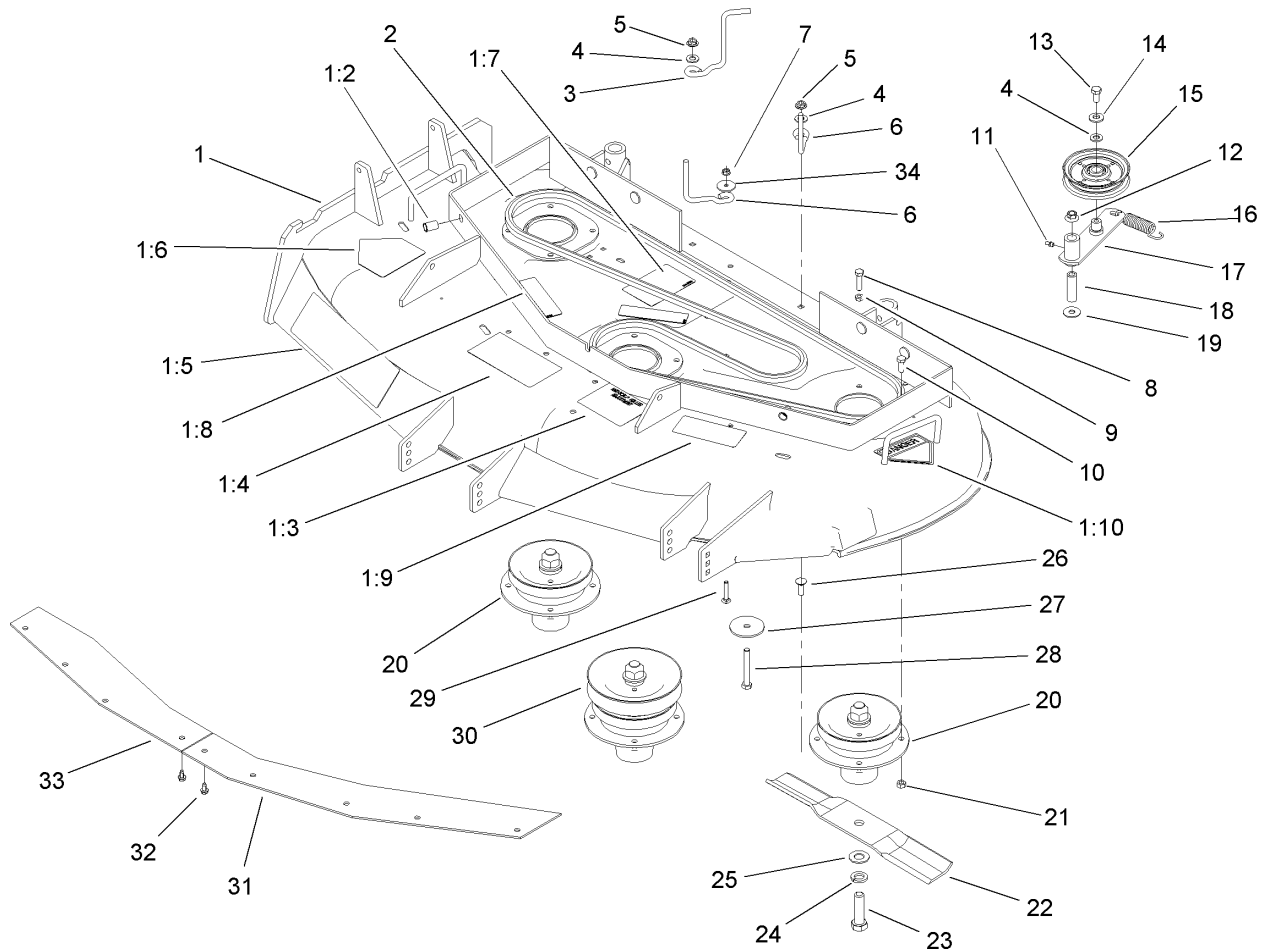
Ref	Part No.	Qty.	Description
1	105-0884	1	Decal-Danger
2	63-8360	1	Key-Ignition
3	107-4102	1	Cable-Throttle
4	32104-76	4	Screw
5	32105-14	4	Screw-SHH
6	3296-42	1	Nut-Lock, NI
7	104-8141	1	Module-Delay
8	93-1187-03	1	Panel-Bottom
9	321-2	1	Screw-HH
12	3296-2	4	Nut-Lock
13	29-5560	1	Switch-On/off
13:1	218-461	1	Nut-HH
13:2	3254-5	1	Washer-Tooth
14	2412-120	2	R-Clamp
15	104-7050	1	Housing-Manual
16	104-8140	1	Switch-PTO
17	104-8177-03	1	Panel-Control
18	106-5499	1	Decal-Control Panel
19	104-7048	1	Cap-Housing



Carrier Frame Assembly

Ref	Part No.	Qty.	Description
1	106-0707	1	Carrier Frame ASM
1:2	32148-9	3	Insert-Nut
1:3	94-1291	4	Bushing
1:4	302-5	2	Fitting-Grease
2	106-0537-01	1	Cover
3	106-0719	1	Decal
4	240-3	1	Grommet-Rubber
5	106-0565	3	Washer-Rubber
6	106-0887	3	Knob
7	12-3270	2	Screw
8	105-9389-01	1	Shield-Heat
9	3290-199	2	Nut-Speed
10	104-1105	4	Spacer-Support, Deck
11	1-513336	2	Bushing-Deck
12	321-5	2	Screw-HH
13	3256-22	2	Washer-Flat
14	32120-33	2	Ring-Retaining
15	105-0842	4	Spacer
16	106-0635	2	Decal-HOC
17	105-3159-01	2	Castor Fork ASM
18	32153-5	2	Nut-Lock, Side
19	100-6451	2	Castor Wheel ASM
19:1	232-27	1	Stem-Valve
19:2	302-11	1	Fitting-Lube, 45 DEG

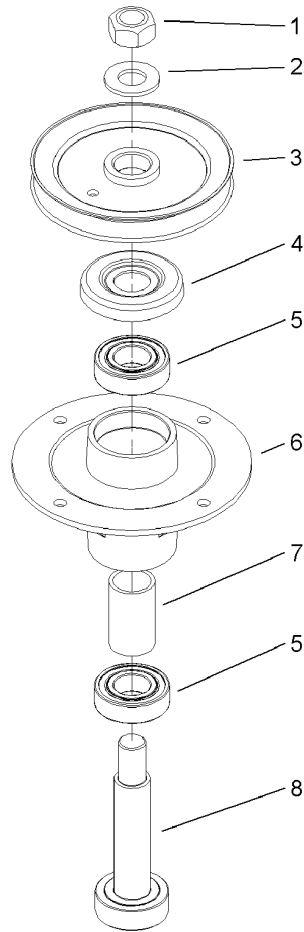
Ref	Part No.	Qty.	Description
19:3	83-4740	1	Bearing
19:4	62-5580	2	Bearing-Outside
19:5	100-6452	1	Tire-Tubeless
20	100-6453	2	Bushing-Spanner
21	325-19	2	Screw-HH
22	283-71	2	Pin-Lynch
23	3-6781	8	Washer-Thrust
24	106-5503	1	Decal-Service, Hydro Tbar
24	106-5505	1	Decal-Service, Gear Tbar
24	106-5511	1	Decal-Service, Gear Pistol Grip
24	106-5513	1	Decal-Service, Hydro Pistol Grip



Spindle, Pulley and Belt Assembly

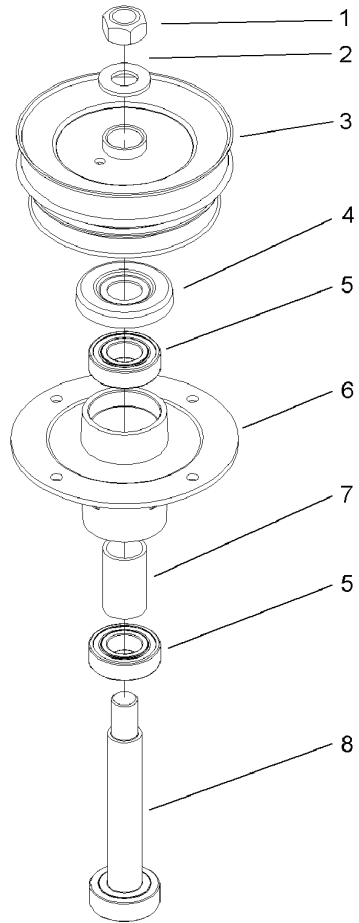
Ref	Part No.	Qty.	Description
1	107-4212	1	Deck ASM
1:2	32148-10	2	Insert-Threaded
1:3	106-5532	1	Decal-Scalp, Anti
1:4	66-1340	1	Decal-Danger
1:5	106-0704	1	Decal
1:6	93-1122	1	Decal-Danger
1:7	104-8186	1	Decal-Routing, Belt
1:8	67-5360	3	Decal-Danger
1:9	68-8340	1	Decal-Torque
1:10	43-8480	1	Decal-Danger
2	27-1160	1	V-Belt
3	106-5488	1	Guide-Belt
4	3256-24	3	Washer-Flat
5	32128-13	2	Nut-HF
6	52-4780	2	Rod-Belt
7	32128-10	1	Nut-Lock, HHF
8	322-6	1	Screw-HH
9	3218-2	1	Nut-Jam
10	322-4	11	Screw-HH
11	302-19	1	Fitting-Grease
12	32128-19	1	Nut-HF
13	323-4	1	Screw-HH
14	98-5975	1	Washer-Belleville
15	65-5940	1	Pulley-Idler

Ref	Part No.	Qty.	Description
16	54-2730	1	Spring-Extension
17	104-8110	1	Idler Arm ASM
18	104-8113	1	Tube-Idler
19	52-2860	1	Washer
20	106-0786	2	Spindle Housing ASM
21	32152-1	12	Nut-Lock, Cone
22	54-0010	3	Blade
23	51-4060	3	Screw-Blade
24	3253-8	3	Washer-Lock
25	3256-27	3	Washer-Flat
26	3230-2	2	Bolt-CARR
27	20-9530	1	Washer-End
28	323-13	1	Screw-HH
29	3229-4	1	Screw-CARR
30	106-0784	1	Spindle Housing ASM
31	100-3258-03	1	Plate-Blowout, LH
32	12-3270	9	Screw
33	100-3257-03	1	Plate-Blowout, RH
34	1-503033	1	Washer-Retainer, Pulley



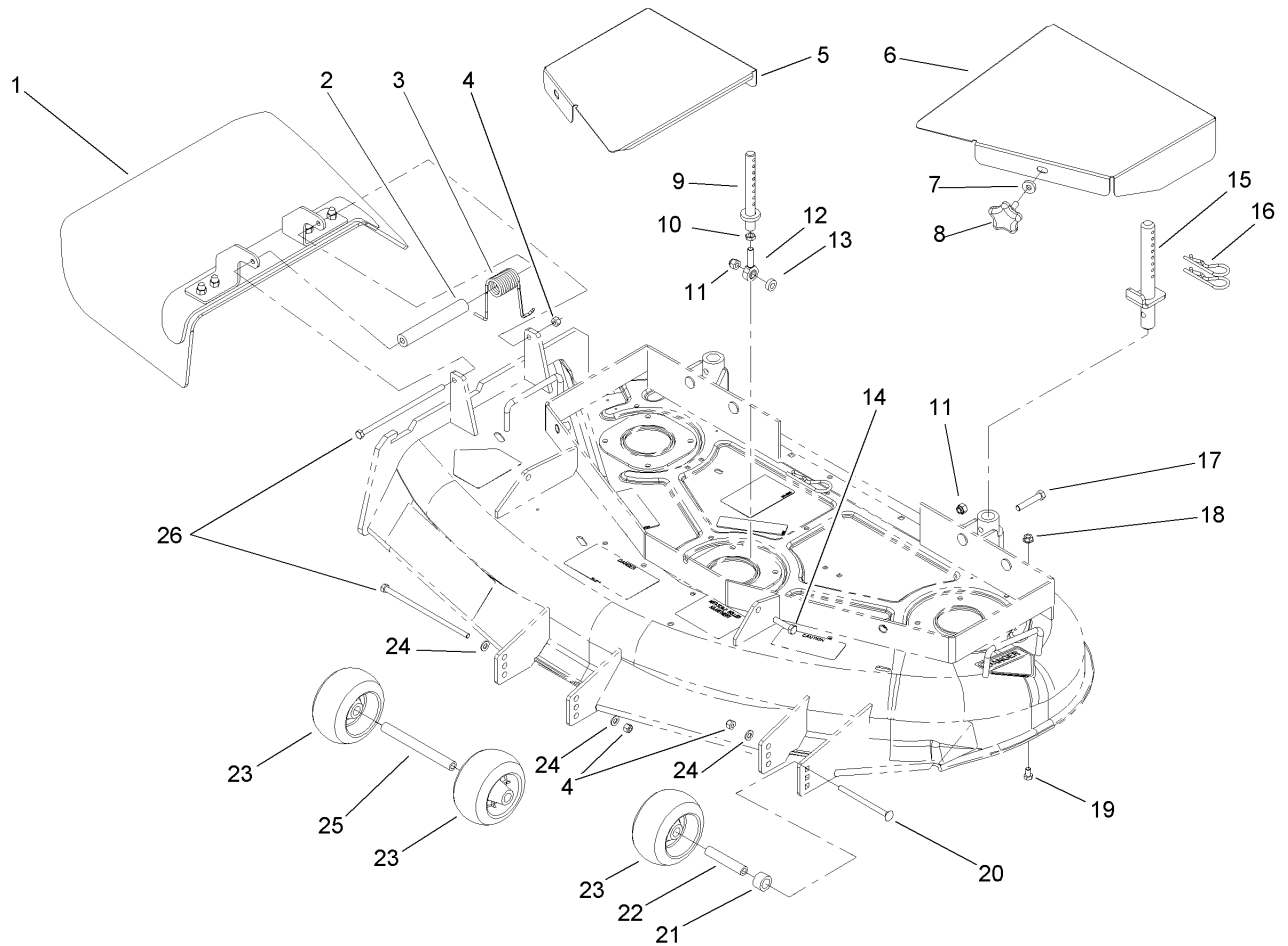
Spindle Assembly No. 106-0786

Ref	Part No.	Qty.	Description
1	3219-7	1	Nut-Hex
2	7-4150	1	Washer
3	104-1181	1	Pulley ASM
4	106-0873	1	Shield-Bearing
5	104-6325	2	Bearing
6	106-0818	1	Housing-Spindle
7	106-0794	1	Spacer-Bearing
8	106-0780	1	Shaft-Spindle



Spindle Assembly No. 106-0784

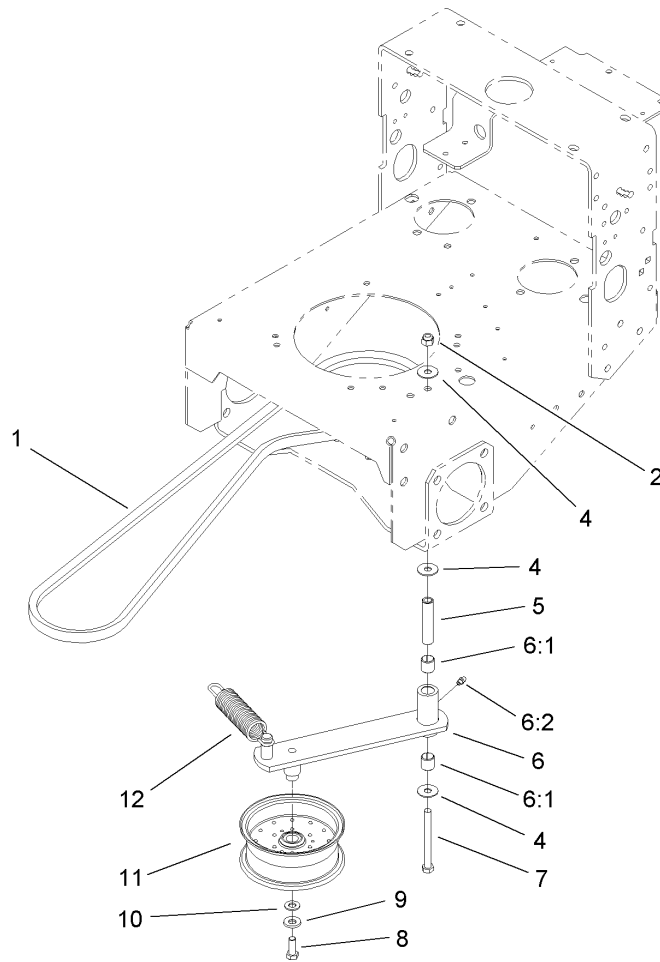
Ref	Part No.	Qty.	Description				
1	3219-7	1	Nut-Hex				
2	7-4150	1	Washer				
3	104-1116	1	Pulley And Hub ASM				
4	106-0873	1	Shield-Bearing				
5	104-6325	2	Bearing				
6	106-0818	1	Housing-Spindle				
7	106-0794	1	Spacer-Bearing				
8	106-0779	1	Shaft-Spindle				



Deck Assembly

Ref	Part No.	Qty.	Description
1	107-4194	1	Deflector ASM
2	105-4622	1	Spacer
3	104-8554	1	Spring-Torsion
4	3296-29	3	Nut-Lock, NI
5	106-3363-01	1	Cover-Belt, RH
6	106-3362-01	1	Cover-Belt, LH
7	106-0565	2	Washer-Rubber
8	106-0887	2	Knob
9	106-0684	2	Front Pin ASM
10	3220-3	2	Nut-Jam
11	3296-39	4	Nut-Lock, NI
12	1-613204	2	Balljoint
13	104-1156	2	Spacer
14	323-8	2	Screw-HH
15	106-3365	2	Rear Pin ASM
16	3290-256	6	Pin-Hair
17	323-10	2	Screw-HH
18	32128-20	4	Nut-HF
19	322-1	4	Screw-HH
20	3230-30	1	Screw-CARR
21	106-0563	1	Spacer-Wheel
22	106-0545	1	Bushing-Roller
23	1-603299	3	Roller-Anti Scalp
24	3256-23	3	Washer-Flat

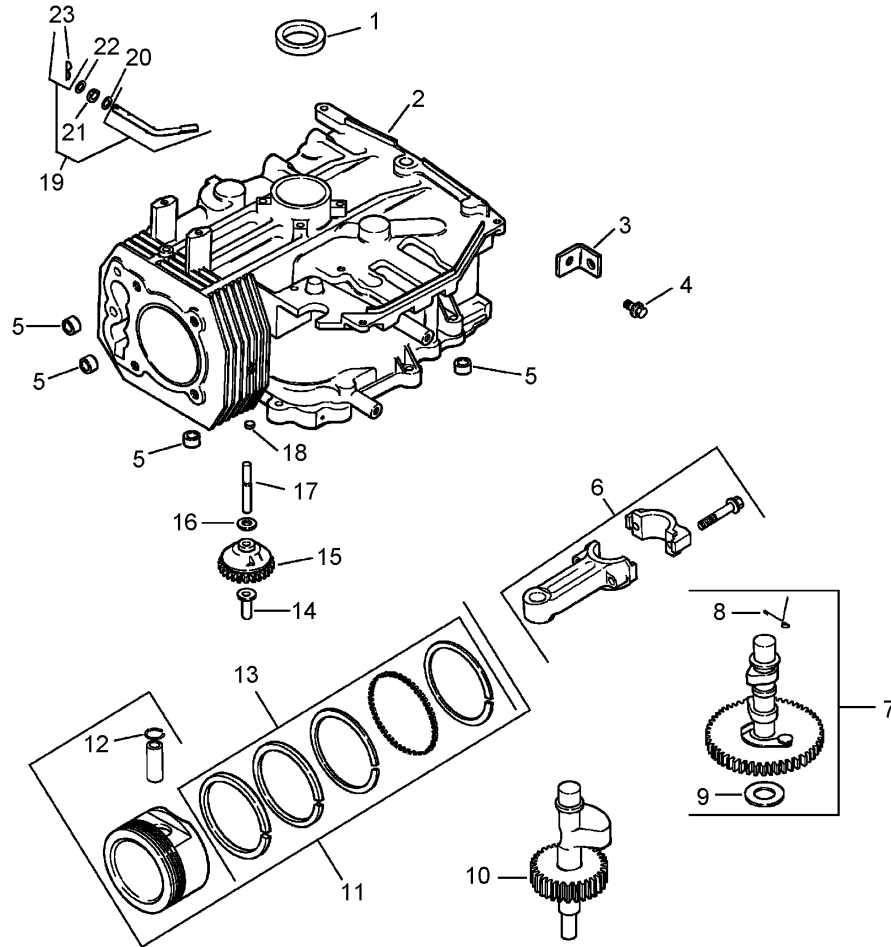
Ref	Part No.	Qty.	Description
25	98-5967	1	Spacer-Wheel
26	322-50	2	Screw-HH



Drive Belt and Tensioner Assembly

Ref	Part No.	Qty.	Description
1	104-8120	1	V-Belt, PTO
2	3296-39	1	Nut-Lock, NI
4	52-2860	3	Washer
5	104-6377	1	Tube-Idler
6	106-0734	1	Idler Arm ASM
6:1	1-513034	2	Sleeve-Bearing
6:2	302-5	1	Fitting-Grease
7	323-42	1	Screw-HH
8	323-6	1	Screw-HH
9	98-5975	1	Washer-Belleville
10	3256-24	1	Washer-Flat
11	1-413099	1	Pulley-Idler
12	105-8443	1	Spring-Extension

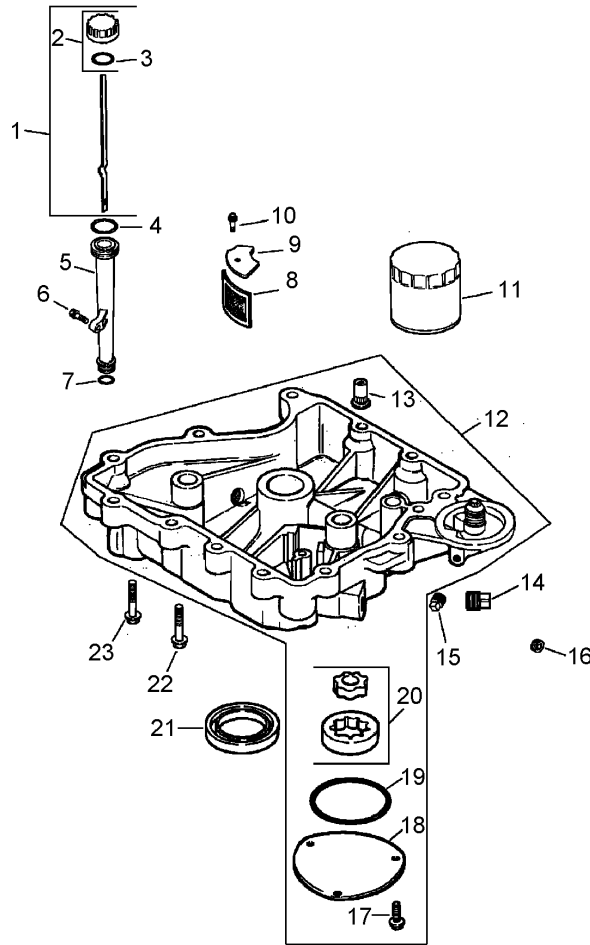
--	--	--	--



Crankcase Assembly Kohler CV15T-41629

Ref	Part No.	Qty.	Description
1	12 032 03-S	1	Seal-Oil, Front
2		1	Crankcase (Use: Short Block 12 522 18)
3	12 445 02-S	1	Strap-Lifting
4	M-839025-S	1	Screw-Hex Flange, M8x1.25x25
5	24 380 13-S	4	Pin-Locating
6	12 067 05-S	1	Rod-Connecting (Std.)
7	12 067 06-S	1	Rod-Connecting (.25)
8	12 755 49-S	1	Camshaft Kit (Includes 8,9)
9	12 089 31-S	1	Spring-Actuating
10	12 422 08-S	1	Shim-Camshaft, Blue
11	12 422 09-S	1	Shim-Camshaft, Red
12	12 422 10-S	1	Shim-Camshaft, Yellow
13	12 422 11-S	1	Shim-Camshaft, Green
14	12 422 12-S	1	Shim-Camshaft, Gray
15	12 422 13-S	1	Shim-Camshaft, Black
16	12 422 07-S	1	Shim-Camshaft, White
17	12 144 27-S	1	Shaft-Balance
18	12 874 07-S	1	Piston W/ring Set (Std) (Includes 12-13)
19	12 874 11-S	1	Piston W/ring Set (.08)
20	12 874 08-S	1	Piston W/ring Set (.25)
21	12 874 09-S	1	Piston W/ring Set (.50)
22	12 018 02-S	2	Retainer-Pin, Piston

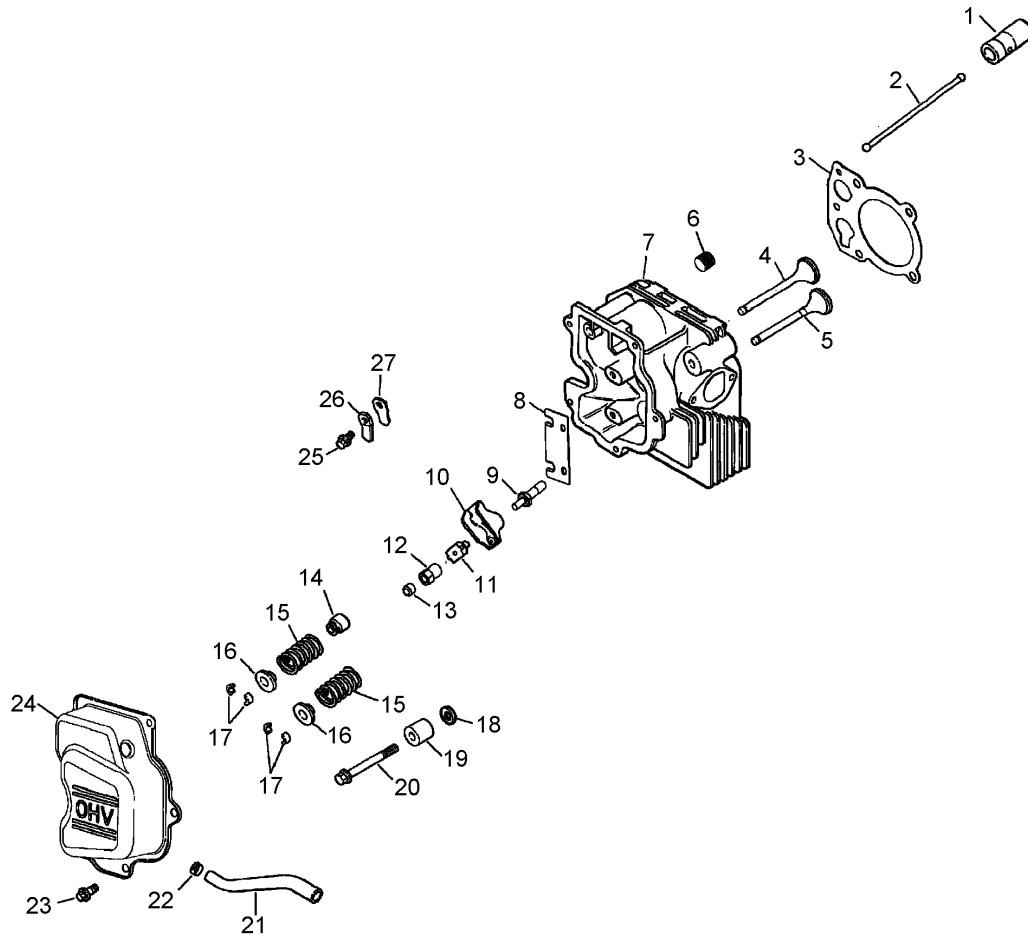
Ref	Part No.	Qty.	Description
13	12 108 07-S	1	Ring Set (Std. & .08)
14	12 108 08-S	1	Ring Set (.25)
15	12 108 09-S	1	Ring Set (.50)
16	12 380 01-S	1	Pin-Governor Regulating
17	12 043 05-S	1	Gear-Governor
18	M-631005-S	1	Washer-Plain (6 Mm)
19	12 144 02-S	1	Shaft-Governor Gear
20	52 139 09-S	1	Plug-Cup
21	12 755 64-S	1	Governor Cross Shaft Kit (Includes 23)
22	X-25-102-S	1	Washer-Plain, 1/4in
23	12 032 01-S	1	Seal-Cross Shaft, Governor
24	M-631015-S	1	Washer-Plain, 6mm
25	12 154 05-S	1	Clip-Pin, Hitch



Oil Pan/Lubrication Assembly Kohler CV15T-41629

Ref	Part No.	Qty.	Description
❶	12 038 01-S	1	Dipstick ASM (Includes 2-3)
❷	25 755 13-S	1	Oil Fill Cap ASM (Includes 3)
❸	25 153 02-S	1	O-Ring
❹	12 153 02-S	1	O-Ring (Upper Oil Fill Tube)
❺	12 123 04-S	1	Tube-Fill, Oil
❻	M-545020-S	1	Screw-Hex Flange, M5x0.8x20
❼	12 153 01-S	1	O-Ring (Lower Oil Fill Tube)
❽	25 162 07-S	1	Screen-Pickup, Oil
❾	12 096 03-S	1	Cover-Screen, Oil Pickup
❿	M-545016-S	1	Screw-Hex Flange, M5x0.8x16
⓫	12 050 01-S	1	Filter-Oil
⓬	12 199 50-S	1	Oil Pan ASM (Includes 13, 17-19)
⓭	25 462 09-S	1	Valve-Relief, Oil Pressure
⓮	25 139 57-S	2	Plug-Sq. Hd. 3/8 N.p.t.f.
⓯	25 139 52-S	1	Plug-Pipe, 1/8in
⓰	25 139 62-S	1	Plug, Pipe 3/8in Hex Ctsk
⓱	M-545016-S	3	Screw-Hex Flange, M5x0.8x16
⓲	12 096 34-S	1	Cover-Pump, Oil
⓳	12 153 06-S	1	O-Ring (Oil Pump Cover)
⓴	12 393 01-S	1	Oil Pump ASM
⓵	12 032 03-S	1	Seal-Oil, Front
⓶	24 086 16-S	10	Screw-Hex Flange, M8x1.25x45
⓷	24 086 17-S	1	Screw-Hex Flange, M8x1.25x45

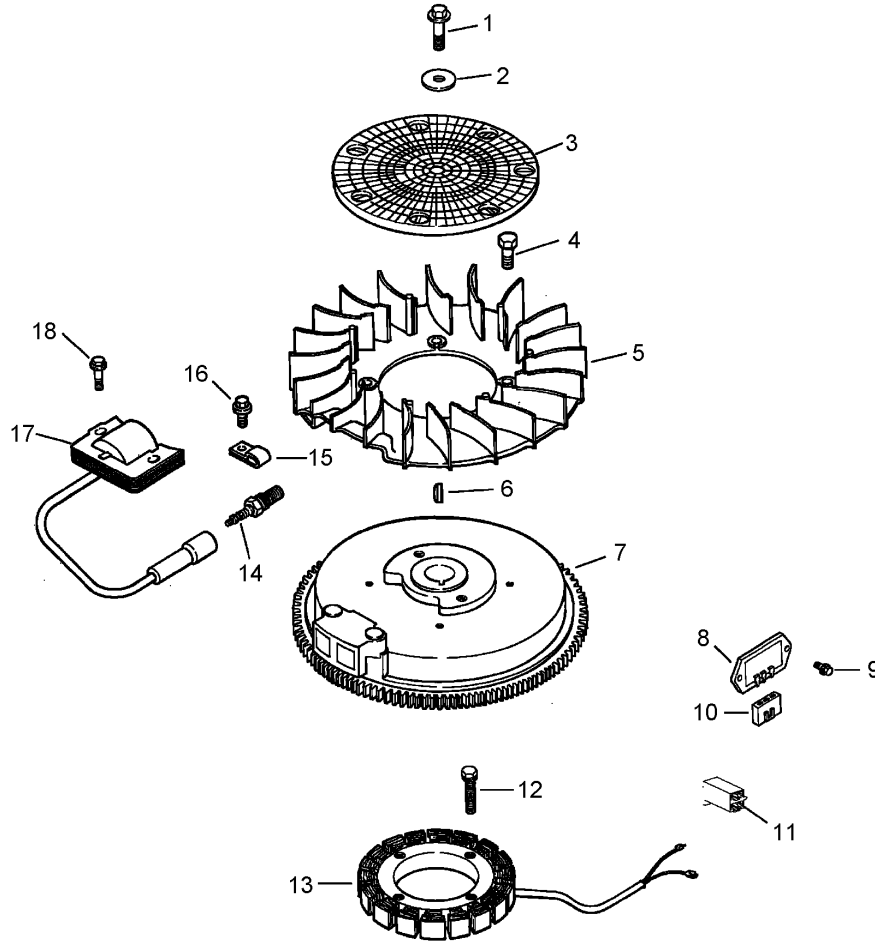
--	--	--	--



Head/Valve/Breather Assembly Kohler CV15T-41629

Ref	Part No.	Qty.	Description
❶	25 351 01-S	2	Lifter-Valve
❷	12 411 04-S	2	Rod-Push
❸	12 041 10-S	1	Gasket-Head, Cylinder
❹	12 017 01-S	1	Valve-Intake (Std.)
❺	12 016 01-S	1	Valve-Exhaust (Std.)
❻	25 139 60-S	1	Plug-Pipe, 1/8in Allen Head
❼	12 318 19-S	1	Head-Cylinder
❽	12 146 22-S	2	Plate-Guide
❾	25 072 12-S	2	Stud-Rocker
❿	25 186 01-S	2	Arm-Rocker
⓫	12 599 03-S	2	Pivot-Arm, Rocker
⓬	25 100 29-S	2	Nut-Hex
⓭	25 086 112-S	2	Screw-Set
⓮	66 032 05-S	2	Seal-Valve Stem
⓯	12 089 34-S	2	Spring-Valve
⓰	12 173 01-S	2	Cap-Spring, Valve
⓱	12 755 03-S	2	Retainer Kit
⓲	12 468 05-S	1	Washer-Plain, 13/32in
⓳	12 112 13-S	1	Spacer-Head Bolt, Exhaust Port
⓴	20 086 02-S	5	Screw-Hf, M10x1.5x81
⓵	25 237 14-S	1	Clamp-Breather
⓶	12 326 18-S	1	Hose-Breather
⓷	M-645016-S	3	Screw-Hex Flange, M6x1.0x16
⓸	12 096 47-S	1	Cover-Valve

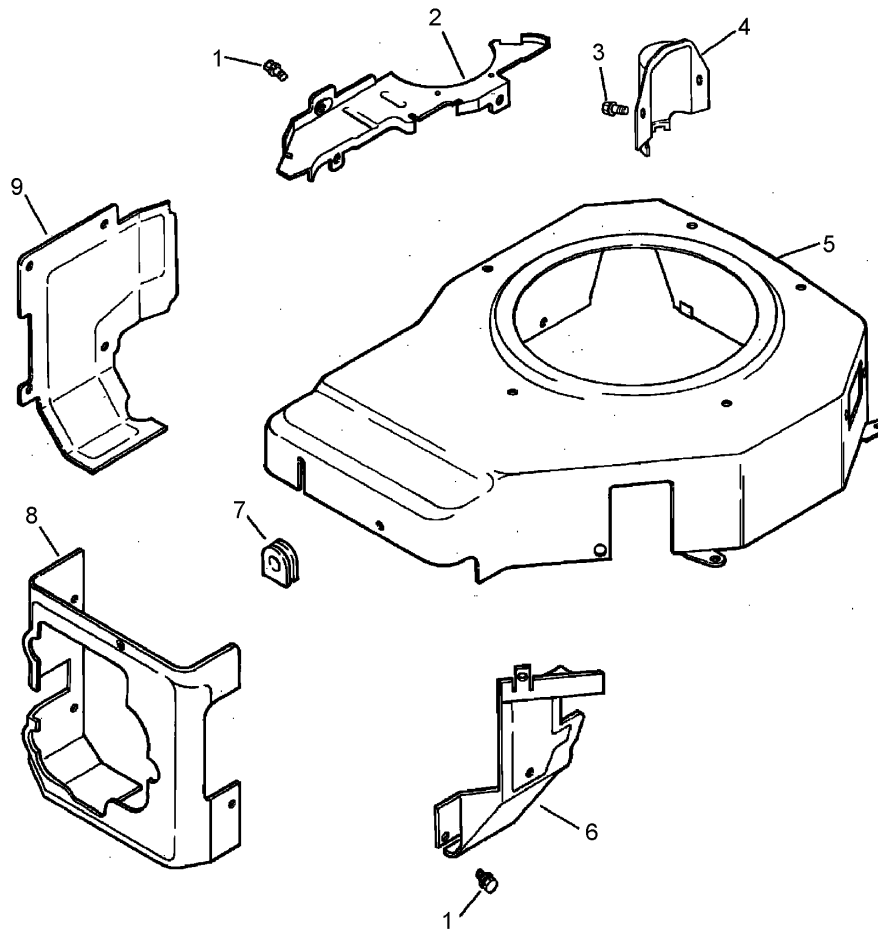
Ref	Part No.	Qty.	Description
⓶	M-545010-S	1	Screw-Hex Flange, M5x0.8x10
⓷	66 018 04-S	1	Retainer-Breather Reed
⓸	12 402 02-S	1	Reed-Breather
⓶	12 017 02-S	1	Valve-Intake (.25)
⓶	12 016 02-S	1	Valve-Exhaust (.25)
⓶	12 041 01-S	1	Gasket-Carburetor
⓶	12 041 02-S	1	Gasket-Base, Air Cleaner
⓶	12 041 03-S	1	Gasket-Manifold, Exhaust



Ignition/Electrical Assembly Kohler CV15T-41629

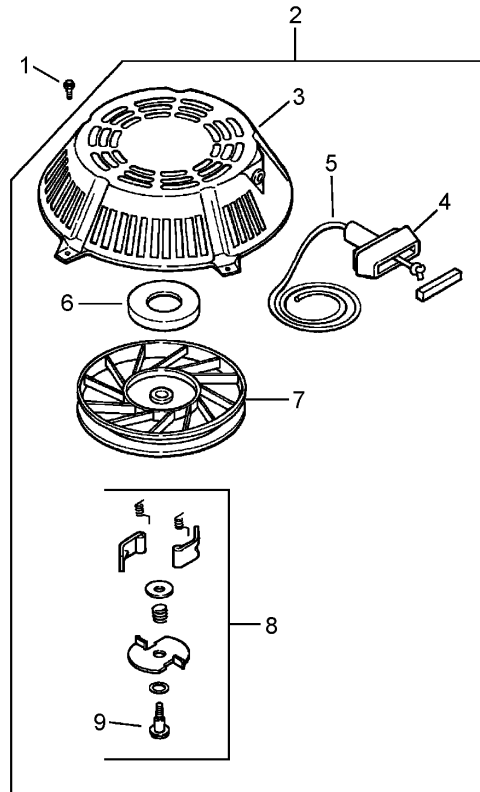
Ref	Part No.	Qty.	Description
❶	12 086 14-S	1	Screw-Hex Flange, M10x1.5x46
❷	12 468 03-S	1	Washer-Plain (3/8)
❸	24 162 03-S	1	Screen-Grass
❹	25 086 47-S	4	Bolt-Shoulder, M6x1.0x16
❺	12 157 03-S	1	Fan
❻	X-42-15-S	1	Key
❼	12 025 56-S	1	Flywheel
❽	12 403 01-S	1	Rectifier-Regulator
❾	M-639016-S	2	Screw-Hf, M6x1.0x16
❿	236602-S	1	Connector (3 Contact)
⓫	41 155 03-S	1	Connector-contact, Two
⓬	M-548025-S	2	Screw-Hex. Cap, M5x0.8x25
⓭	237878-S	1	Stator Kit (Includes 25 452 01-S)
⓮	12 132 02-S	1	Spark Plug
⓯	X-728-1-S	2	Clip
⓰	M-545010-S	2	Screw-Hex Flange, M5x0.8x10
⓱	12 584 05-S	1	Module-Ignition
⓲	M-545020-S	2	Screw-Hex Flange, M5x0.8x20
⓳	X-22-11-S	1	Washer-Lock, 1/4in
⓴	12 518 01-S	1	Lead, White, Ground To Kill (19in, 18 Gauge)
⓵	25 518 05-S	1	Lead-Black, Rectifier To Connector (5in, 14 Gauge, Uninsulated Push On Tab Terminals)

Ref	Part No.	Qty.	Description
⓶	24 518 12-S	1	Lead-Black (5in, 12 Gauge)
⓷	25 452 01-S	1	Terminal



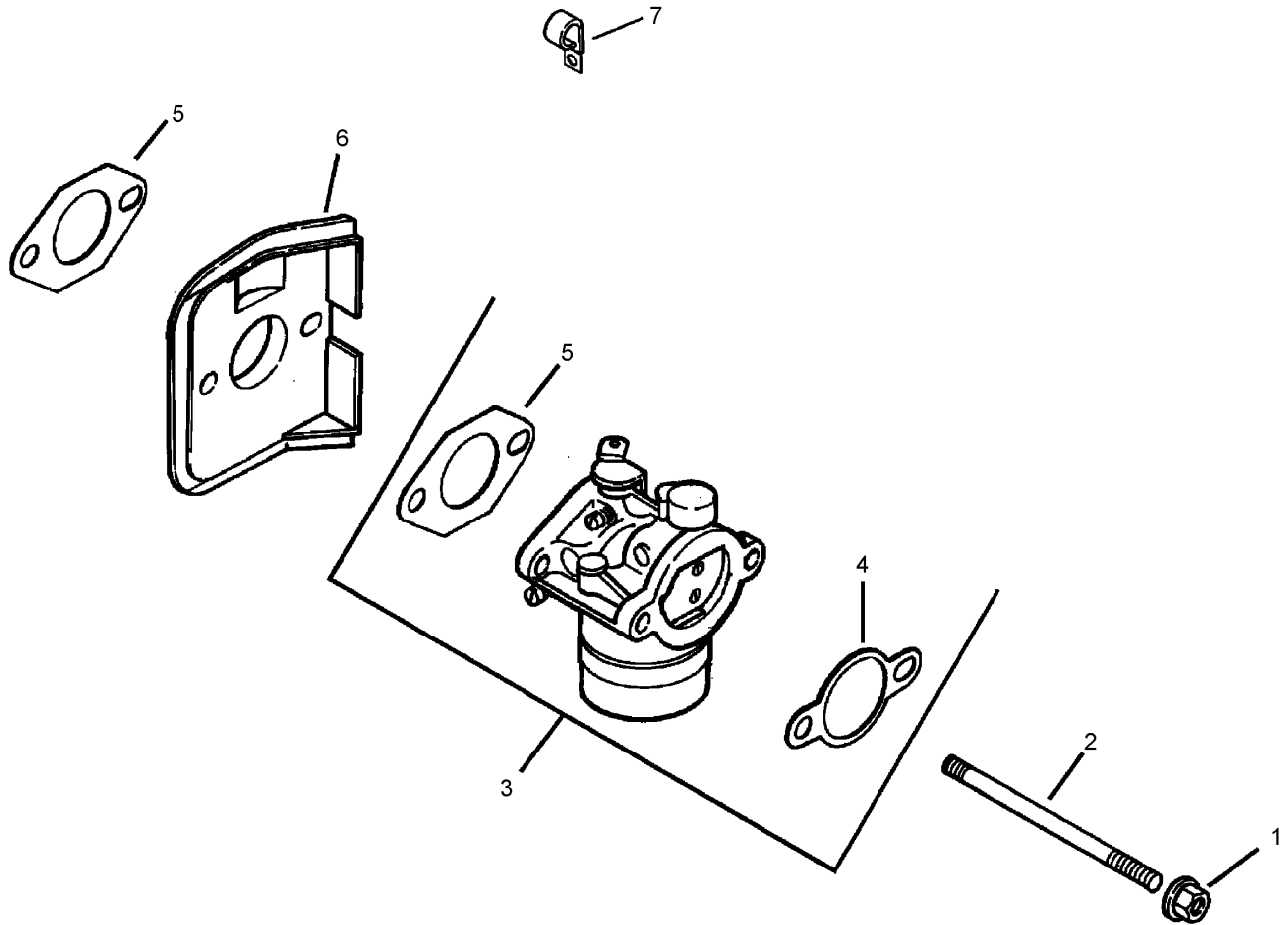
Blower Housing and Baffle Assembly Kohler CV15T-41629

Ref	Part No.	Qty.	Description				
1	M-545010-S	9	Screw-Hex Flange, M5x0.8x10				
2	12 146 07-S	1	Plate-Housing, Blower				
3	M-550010-S	6	Screw-Hf, M5x0.8x10				
4	12 096 29-S	1	Cover-Starter				
5	12 027 68-S	1	Housing, Blower				
6	12 063 10-S	1	Baffle-Side, Intake				
7	12 313 03-S	1	Grommet-Spark Plug				
8	12 063 08-S	1	Baffle-Head, Cylinder				
9	12 063 19-S	1	Baffle (Cylinder)				
10	12 113 124-S	1	Decal-15hp				
11	25 113 39-S	1	Decal-Clear Lamination				



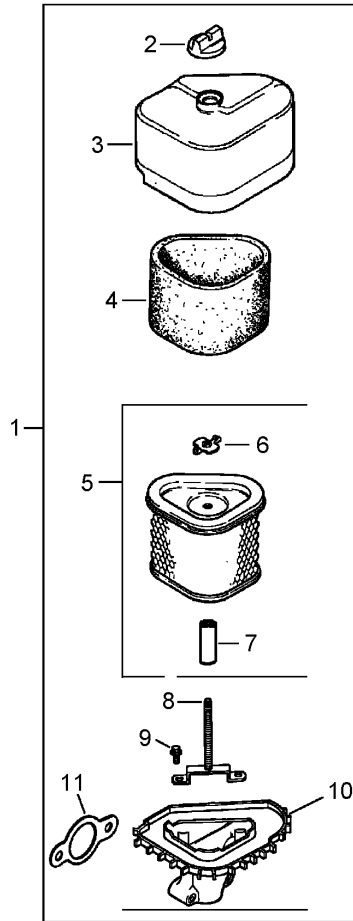
Starting System Assembly Kohler CV15T-41629

Ref	Part No.	Qty.	Description				
①	M-550010-S	5	Screw-Hf, M5x0.8x10				
②	12 165 01-S	1	Retractable Starter ASM (Includes 3-9)				
③	12 081 01-S	1	Housing-Starter				
④	25 166 01-S	1	Handle-Start, Recoil				
⑤	12 160 01-S	1	Rope-Starter				
⑥	12 089 06-S	1	Spring And Keeper				
⑦	12 093 01-S	1	Pulley				
⑧	12 757 06-S	1	Dog Repair Kit				
⑨	41 086 09-S	1	Screw-Pozidriv				
⑩	15 109 01-S	1	Cup, Drive				
⑪	12 113 07-S	1	Decal-Starting				



Fuel System Assembly Kohler CV15T-41629

Ref	Part No.	Qty.	Description
1	M-641060-S	2	Nut-Hex Flange, M6x1.0
2	M-629116-S	2	Stud-M6x1.0x116
3	12 853 140-S	1	Carburetor Kit (Includes 4-5)
4	12 041 02-S	1	Gasket-Base, Air Cleaner
5	12 041 01-S	2	Gasket-Carburetor
6	12 265 04-S	1	Deflector-Heat
7	47 154 01-S	1	Clip-Cable
10	12 757 02-S	1	Float Kit
10	12 757 03-S	1	Carburetor Repair Kit
10	12 757 08-S	1	Choke Repair Kit
10	12 757 36-S	1	Throttle Shaft Bearing Kit
10	12 757 37-S	1	Bowl Replacement Kit
10	12 755 92-S	1	High Altitude Kit



Air Intake/Filtration Assembly Kohler CV15T-41629

Ref	Part No.	Qty.	Description				
❶	12 743 04-S	1	Air Cleaner Kit (Includes 2-11)				
❷	20 341 01-S	1	Knob-Cover				
❸	12 096 44-S	1	Cover-Cleaner, Air				
❹	12 083 12-S	1	Precleaner				
❺	12 083 10-S	1	Element-Cleaner, Air (Includes 6-7)				
❻	12 100 01-S	1	Nut-Wing				
❼	12 032 11-S	1	Seal				
❽	12 072 04-S	1	Stud-Plate, Mounting				
❾	12 086 01-S	2	Screw				
❿	12 094 14-S	1	Base-Cleaner, Air				
⓫	12 041 02-S	1	Gasket-Base, Air Cleaner				
⓬	12 113 04-S	1	Decal-Cleaner, Air				

Attachments and Accessories

For 30318 - Mid-Size ProLine T-Bar Gear, 15 HP with 44in Side Discharge Mower

Product Name	Model/Part
Blade-Atomic	104-1300
Electric Starter Kit	104-8580
Soft Bag (3 Bushel)	30104
Steel Grass Catcher	30107
Tru Trak Sulky	30110
Striping Kit	30121
Blade-Lift, High	55-4940-03
Recycler Kit	59220
Recycler Kit (MS / ZRT)	59226
Blade-Recycler	92-7952-03

NOTES

NOTES

NOTES

