



Pro Sweep 5200

Model No. 07065 - 250000001 and up.

Parts Catalog

Ordering Replacement Parts

To order replacement parts, please supply the part number, the quantity, and the description of each part desired.

Understanding Reference Numbers

Each Identified part in an illustration has a reference number. The reference number for a part also appears in the parts list, along with other information about the part.

This catalog uses two special reference number formats, one to indicate parts in a service assembly and another to indicate the quantity of a given part in an illustration.

Service Assembly Reference Numbers

Parts in service assemblies have reference numbers in the form a:b. The a represents the reference number of the entire service assembly and the b represents a sequential number unique to each part within the service assembly.

For example, a wheel assembly might be identified by reference number 6, the tire by 6:1, the valve by 6:2, and the wheel by 6:3. When you order the assembly identified by reference number 6, you receive all parts identified by reference numbers 6:1, 6:2, and 6:3. However, you may also order any part individually. Reference numbers of this type appear in illustrations and in part lists.

Reference Numbers Indicating Quantity

In an illustration, if a reference number indicates more than one part, the reference number has the form nX y. The n represents the quantity of the part, the X is the multiplication symbol, and the y represents the reference number.

For example, in an illustration, the reference number 2X 37 means that two of the parts identified by reference number 37 are indicated.

Contents

Description	Page	Description	Page
Main Frame and Axle Assembly 3	Roller Assembly 12
Trailer Axle Assembly No. 107-1529 4	Hopper Assembly 13
Pitch Frame and Cylinder Assembly 5	Hopper Lid and Baffle Assembly 14
Hydraulic Cylinder Assembly No. 107-1310 6	Hose Assembly 15
Saddle Frame Assembly 7	Manifold Block Assembly No. 107-1400 16
Brush Housing Assembly 8	Tongue Assembly 17
Brush, Motor and Shield Assembly 9	Wire Harness Assembly 18
Hydraulic Motor Assembly No. 108-0682 10	Hydraulic Fitting Assembly 19
Brush Assembly No. 107-1452 11	Control Box Mounting Assembly 20
		Attachments and Accessories List 21

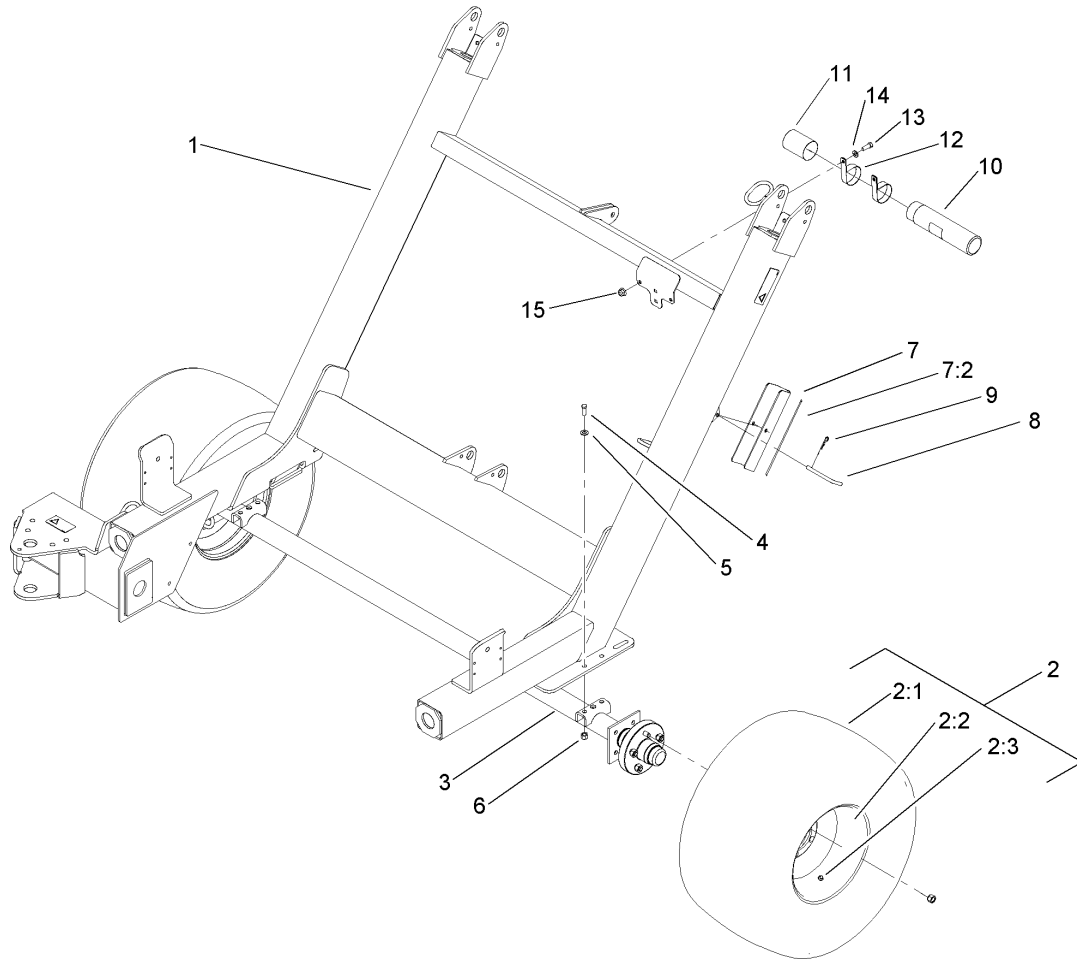
Part Description Abbreviations

Part descriptions in this catalog may include the following abbreviations.

AR. as required	HYD. hydraulic
ASM. assembly	INC. incorporated
CARR. carriage	LH. left hand
DEG. degrees	NI. nylon insert
EXT. external	NPTF. national pipe thread fine
FH. flat head	PPH. phillips pan head
GA. gauge	PRH. phillips round head
HF. hex flange	PTH. phillips truss head
HH. hex head	PTO. power take off
HHF. hex head flange	RH. right hand
HHFTF. hex head flange thread forming	ROPS. roll over protection system
HJ. hex jam	SFH. slotted fillister head
HLH. hex lag head	SHH. slotted hex head
HOC. height-of-cut	SHWH. slotted hex washer head
HS. hex	SPH. slotted pan head
HSBH. hex socket button head	SQH. square head
HSFH. hex socket flat head	SRH. slotted round head
HSH. hex socket head	STD. standard
HWH. hex washer head	TAP. self tapping
HWHTF. hex washer head thread forming	TTH. torx truss head

Footnotes

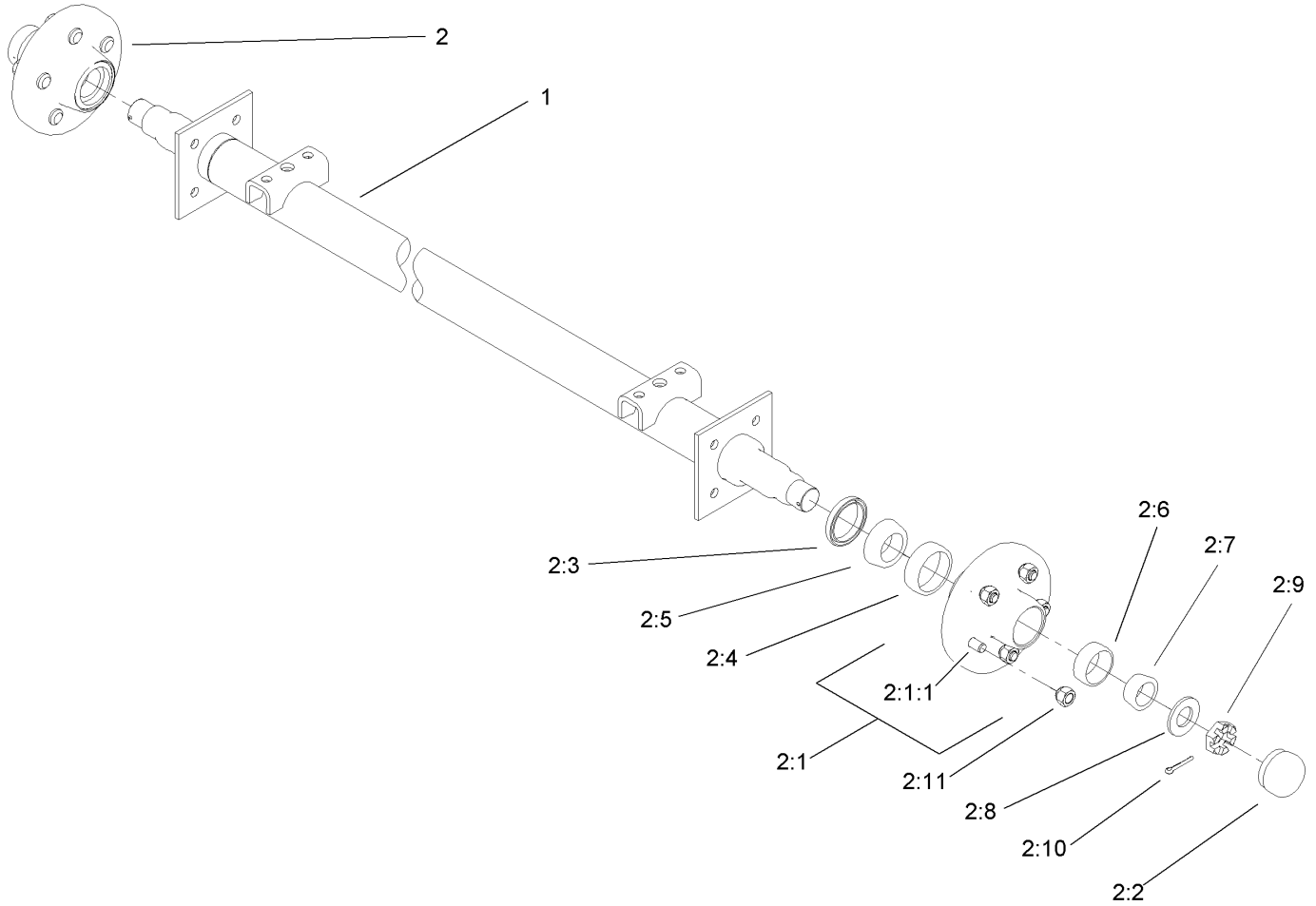
- ❶ Not serviced separately



Main Frame and Axle Assembly

Ref	Part No.	Qty.	Description
1	108-0776	1	Frame-Main
2	107-1459	2	Wheel And Tire ASM
2:1	93-6152	1	Tire
2:2	107-1461	1	Rim
2:3	232-24	1	Stem-Valve
3	107-1529	1	Trailer Axle ASM
4	324-5	4	Screw-HH
5	3256-25	8	Washer-Flat
6	3296-48	4	Nut-Lock, NI
7	108-0777	1	Stop-Cylinder
7:2	93-9852	1	Decal-Warning
8	63-7880	1	Pin-Latch, Brake
9	3290-250	1	Pin-Hair
10	104-7050	1	Housing-Manual
11	104-7048	1	Cap-Housing
12	2412-133	2	R-Clamp
13	323-6	2	Screw-HH
14	3256-24	2	Washer-Flat
15	104-8301	2	Nut-Flange, NI

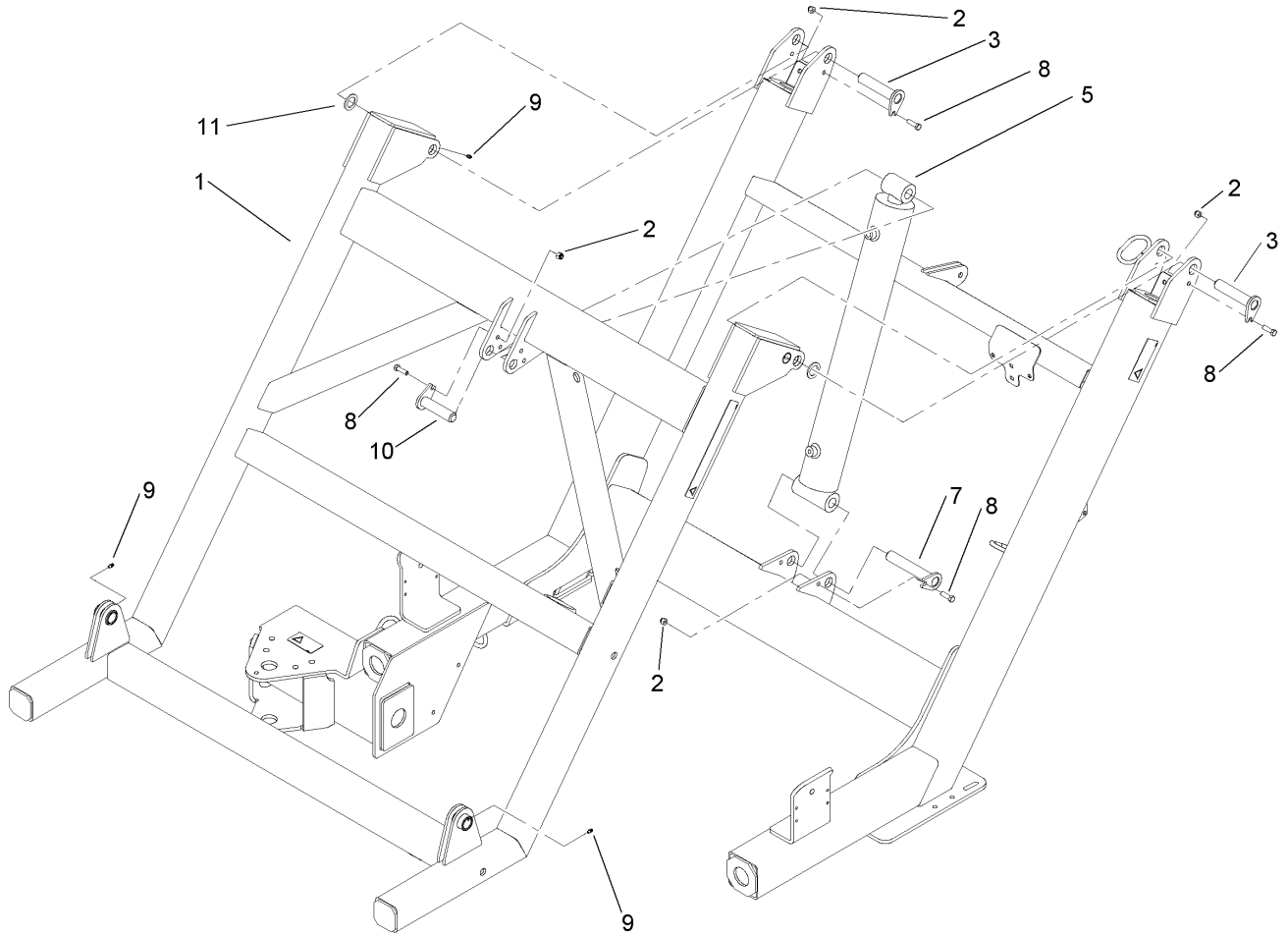
--	--	--	--



Trailer Axle Assembly No. 107-1529

Ref	Part No.	Qty.	Description
1	107-1300	1	Axle-Trailer
2	108-0689	2	Kit-Hub, Wheel
2:1	107-1528	1	Hub-Wheel
2:1:1	107-1503	5	Stud-Wheel
2:2	108-0693	1	Cap-Grease
2:3	108-0694	1	Seal-Grease
2:4	108-0695	1	Cup-Bearing, Inner
2:5	108-0696	1	Cone-Bearing, Inner
2:6	108-0697	1	Cup-Bearing, Outer
2:7	108-0698	1	Cone-Bearing, Outer
2:8	3256-62	1	Washer-Flat
2:9	99-4508	1	Nut-Castle
2:10	3272-22	1	Pin-Cotter
2:11	242-50	5	Nut-Lug

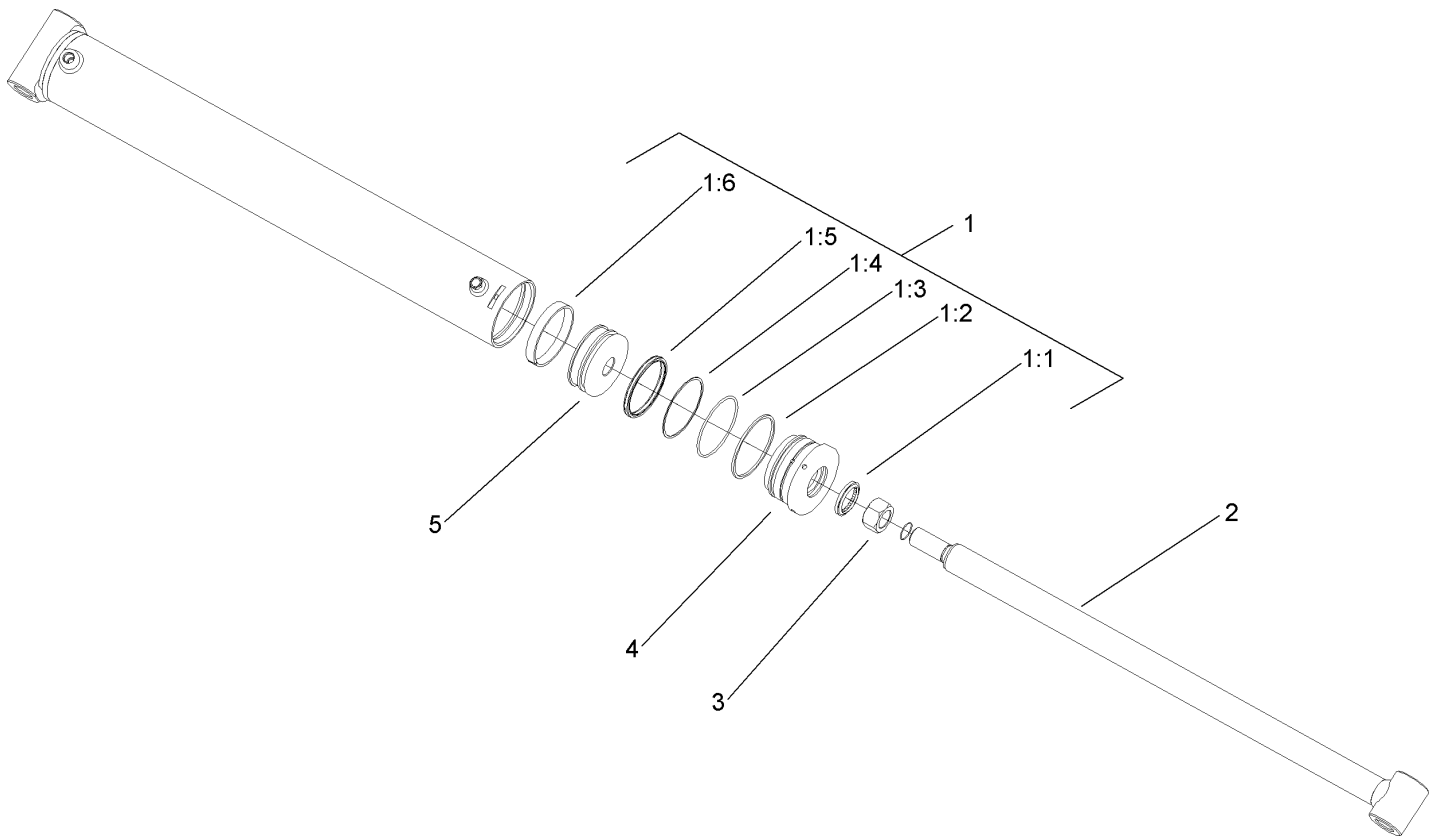
--	--	--	--



Pitch Frame and Cylinder Assembly

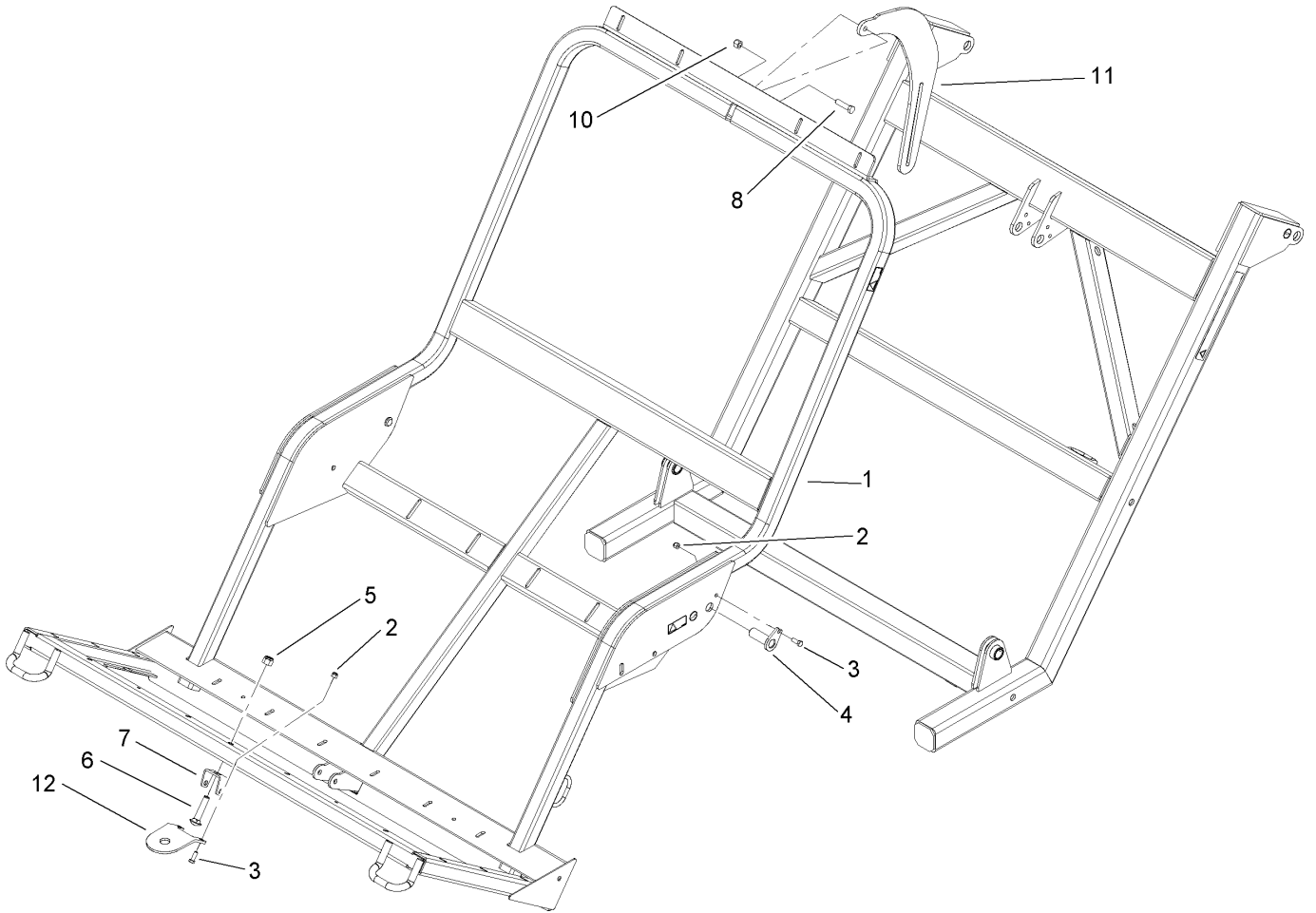
Ref	Part No.	Qty.	Description
1	108-0778	1	Frame-Pitch
2	104-8301	4	Nut-Flange, NI
3	107-1258	2	Pin-Flag
5	107-1310	1	Cylinder-Hydraulic
7	108-0669	1	Pin-Flag
8	323-7	4	Screw-HH
9	302-5	4	Fitting-Grease
10	108-0826	1	Pin-Flag
11	92-7845	2	Spacer-Hardened

--	--	--	--



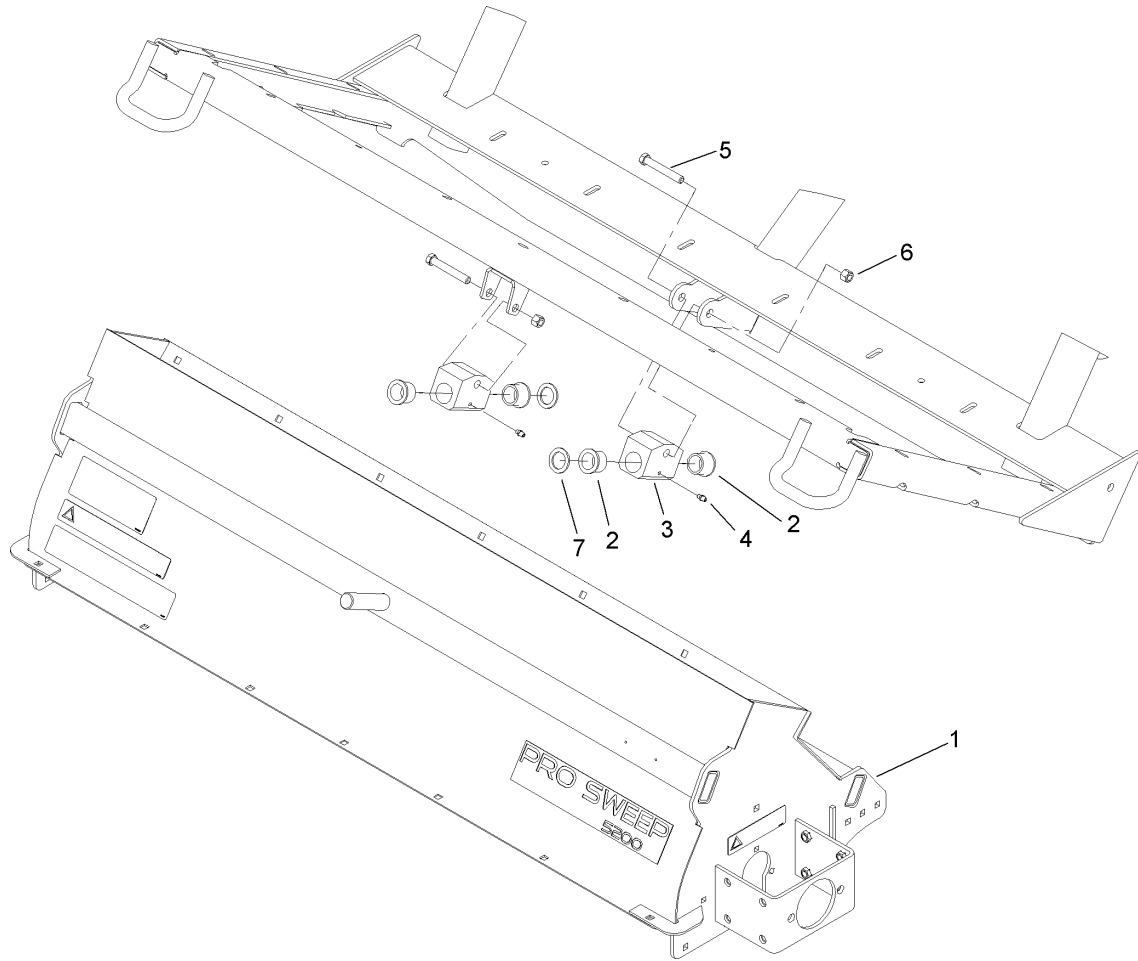
Hydraulic Cylinder Assembly No. 107-1310

Ref	Part No.	Qty.	Description
1	108-2439	1	Seal Kit
● 1:1		1	Wiper
● 1:2		1	O-Ring
● 1:3		1	O-Ring
● 1:4		1	Ring-Back Up
● 1:5		1	Seal
● 1:6		1	Ring-Wear
● 2		1	Rod ASM
● 3		1	Locknut
● 4		1	Head
● 5		1	Piston



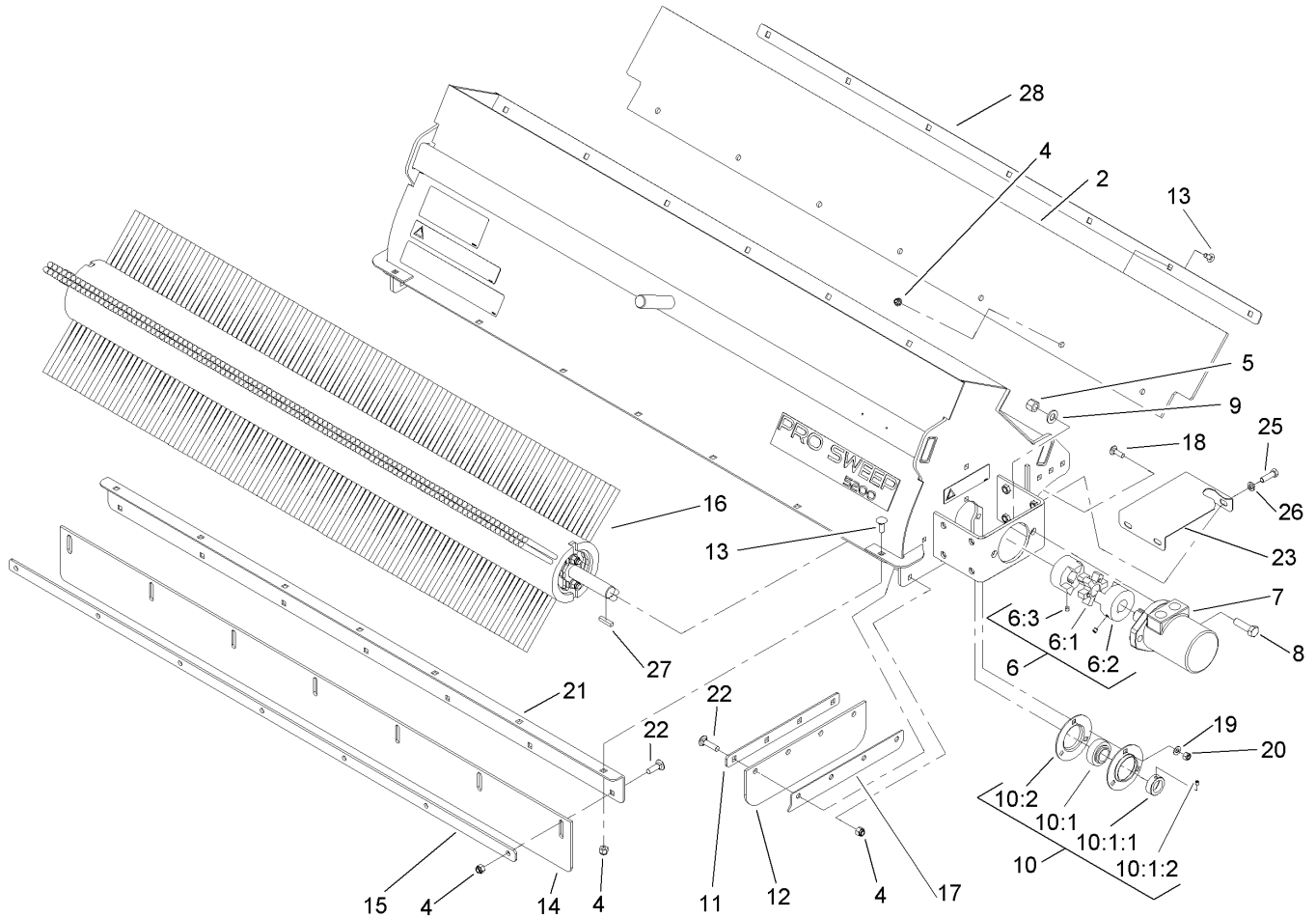
Saddle Frame Assembly

Ref	Part No.	Qty.	Description				
1	108-0779	1	Saddle				
2	104-8301	4	Nut-Flange, NI				
3	323-6	4	Screw-HH				
4	108-0657	2	Pin-Flag				
5	3296-53	1	Nut-Lock, NI				
6	3233-32	1	Bolt-Carriage				
7	107-1458-03	1	Pivot-Saddle				
8	325-7	2	Screw-HH				
10	3296-23	2	Nut-Lock, NI				
11	108-0759-01	1	Link				
12	107-1327-03	1	Plate-Hook, Tow				



Brush Housing Assembly

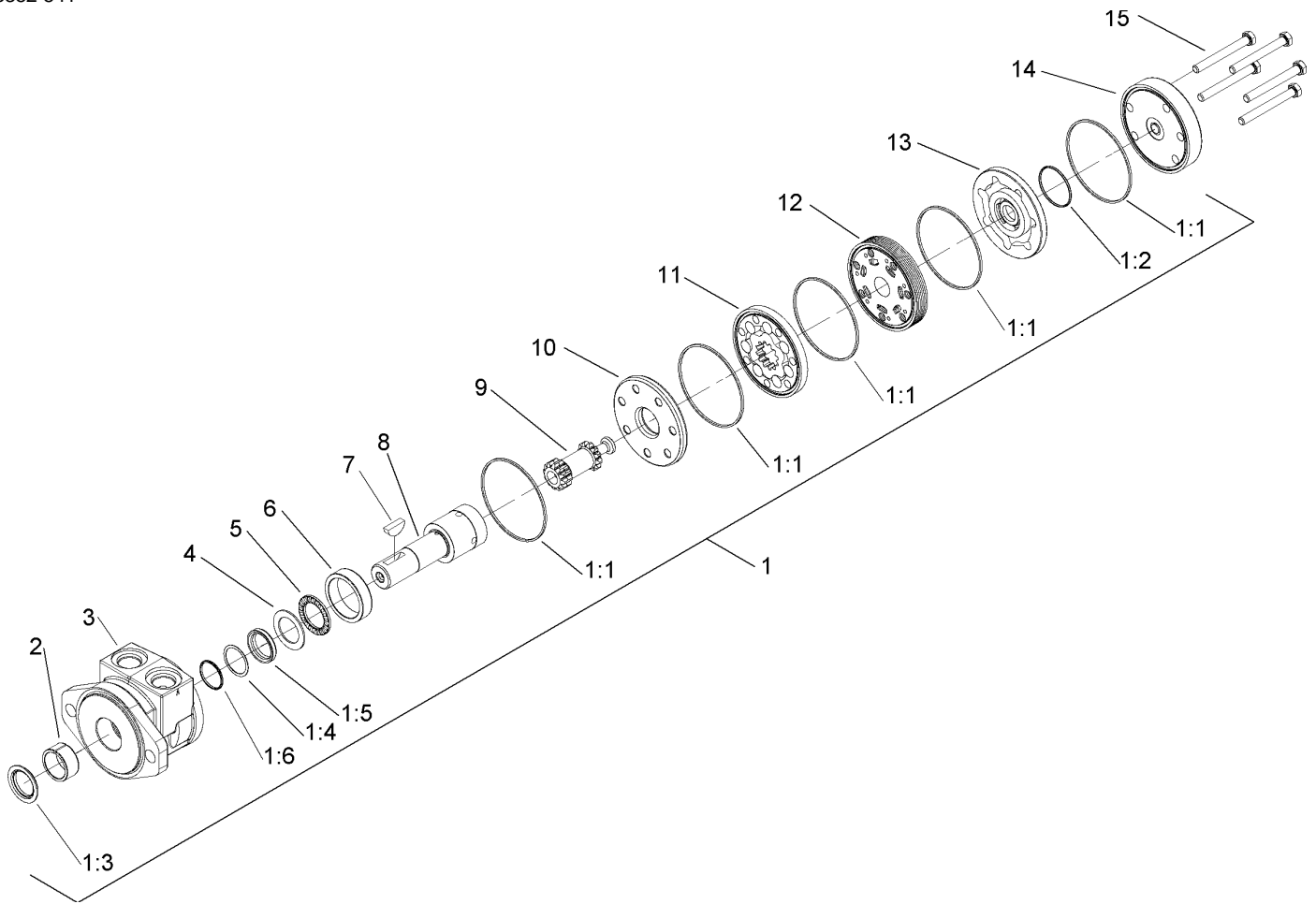
Ref	Part No.	Qty.	Description				
1	108-0780	1	Housing-Brush				
2	94-8949	4	Bushing-Flange				
3	107-1547	2	Mount-Pivot				
4	302-5	2	Fitting-Grease				
5	324-12	2	Screw-HH				
6	3296-48	2	Nut-Lock, NI				
7	3-8514	2	Washer-Thrust				



Brush, Motor and Shield Assembly

Ref	Part No.	Qty.	Description
2	108-0686	1	Shield-Rubber, Top
4	104-8301	39	Nut-Flange, NI
5	3296-23	2	Nut-Lock, NI
6	108-0760	1	Coupling-Jaw, Stock
6:1	108-0761	1	Spider-Coupling
6:2	108-0762	2	Coupling-Jaw
6:3	3246-2	4	Screw-Set, HSH
7	108-0682	1	Motor-Hydraulic
8	325-7	2	Screw-HH
9	3256-26	2	Washer-Flat
10	107-1471	2	Bearing-Flange, 3-Bolt
10:1	107-1472	1	Bearing
10:1:1	251-77	1	Lockcollar-Bearing
10:1:2	3245-35	1	Screw-HS
10:2	107-1474	2	Flange-3 Bolt
11	108-0668-03	2	Plate-Skirt, Side
12	108-0683	2	Shield-Rubber, Side
13	3231-2	14	Screw-CARR
14	107-1302	1	Shield-Rubber, Front
15	108-0667-03	1	Plate-Skirt, Front
16	107-1452	1	Brush ASM
17	107-1439-03	2	Plate-Angle
18	3230-2	6	Bolt-CARR
19	3256-23	6	Washer-Flat

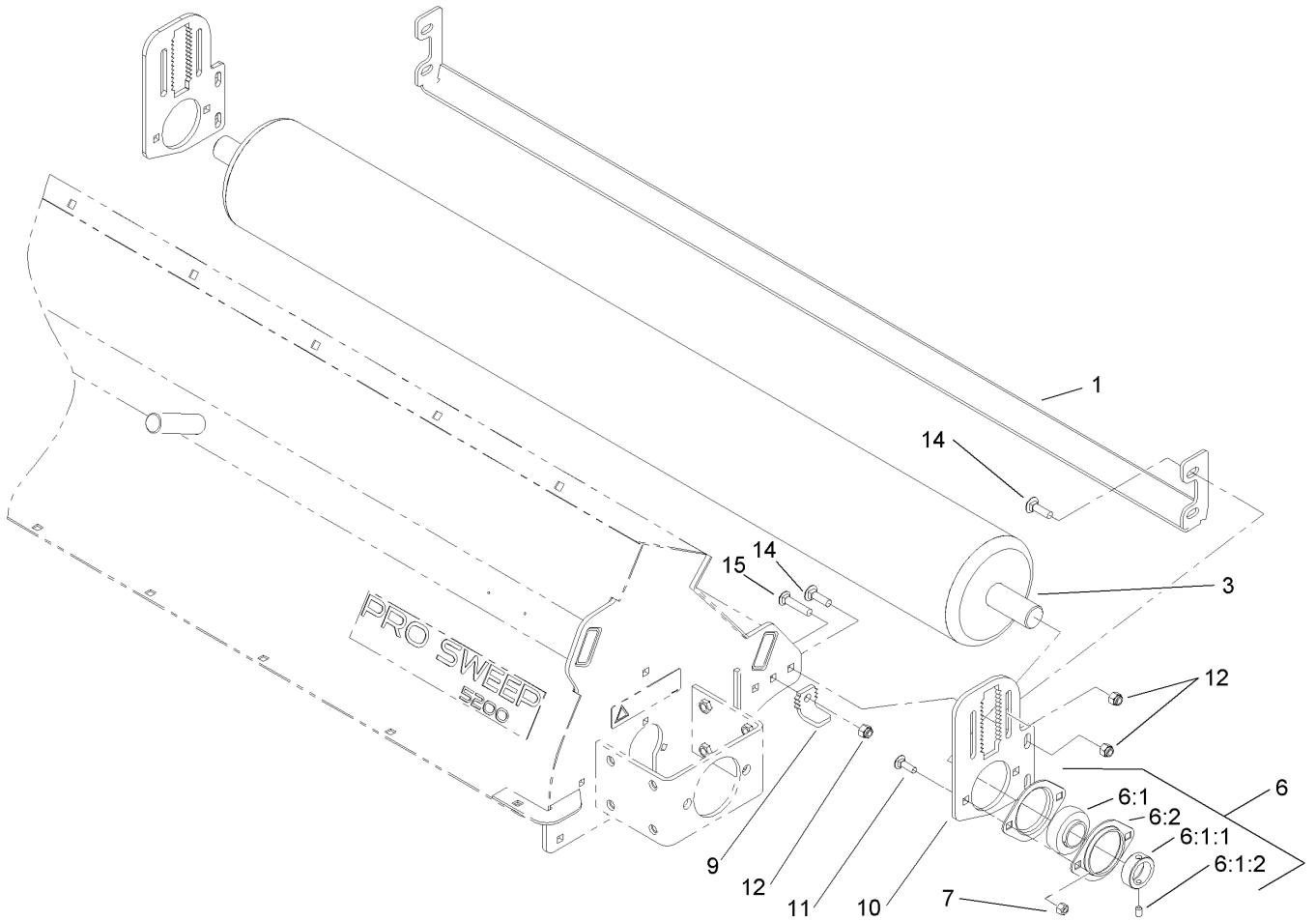
Ref	Part No.	Qty.	Description
20	3296-29	6	Nut-Lock, NI
21	107-1280-01	1	Angle-Front
22	3231-25	15	Screw-CARR
23	108-0781	2	Cover-Coupler
25	323-6	8	Screw-HH
26	3253-21	8	Washer-Lock
27	13-2840	1	Key-Square
28	108-0844-03	1	Plate-Sheild, Top



Hydraulic Motor Assembly No. 108-0682

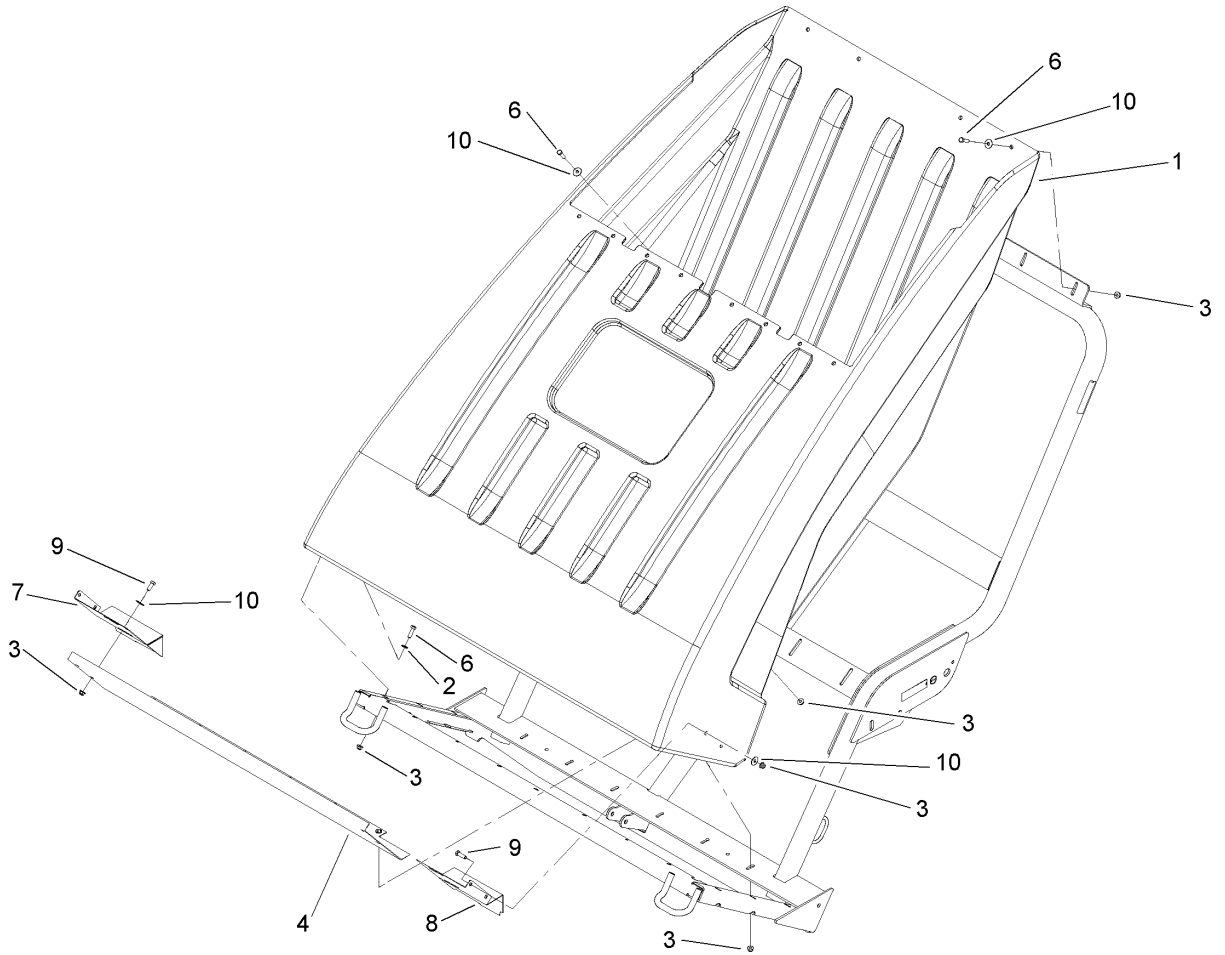
Ref	Part No.	Qty.	Description
1	106-1989	1	Seal Kit
● 1:1		6	Seal-Ring
● 1:2		1	Seal-Commutator
● 1:3		1	Seal-Dirt & Water
● 1:4		1	Washer-Backup
● 1:5		1	Seal-Shaft
● 1:6		1	Ring-Back Up
● 2		1	Bearing
● 3		1	Housing
● 4		1	Washer-Thrust
● 5		1	Bearing-Thrust
● 6		1	Bushing
● 7		1	Key-Woodruff
● 8		1	Shaft-Coupling
● 9		1	Link-Drive
● 10		1	Plate-Wear
● 11		1	Rotor ASM
● 12		1	Manifold
● 13		1	Commutator And Ring ASM
● 14		1	Cover-End
● 15		4	Screw

--	--	--	--



Roller Assembly

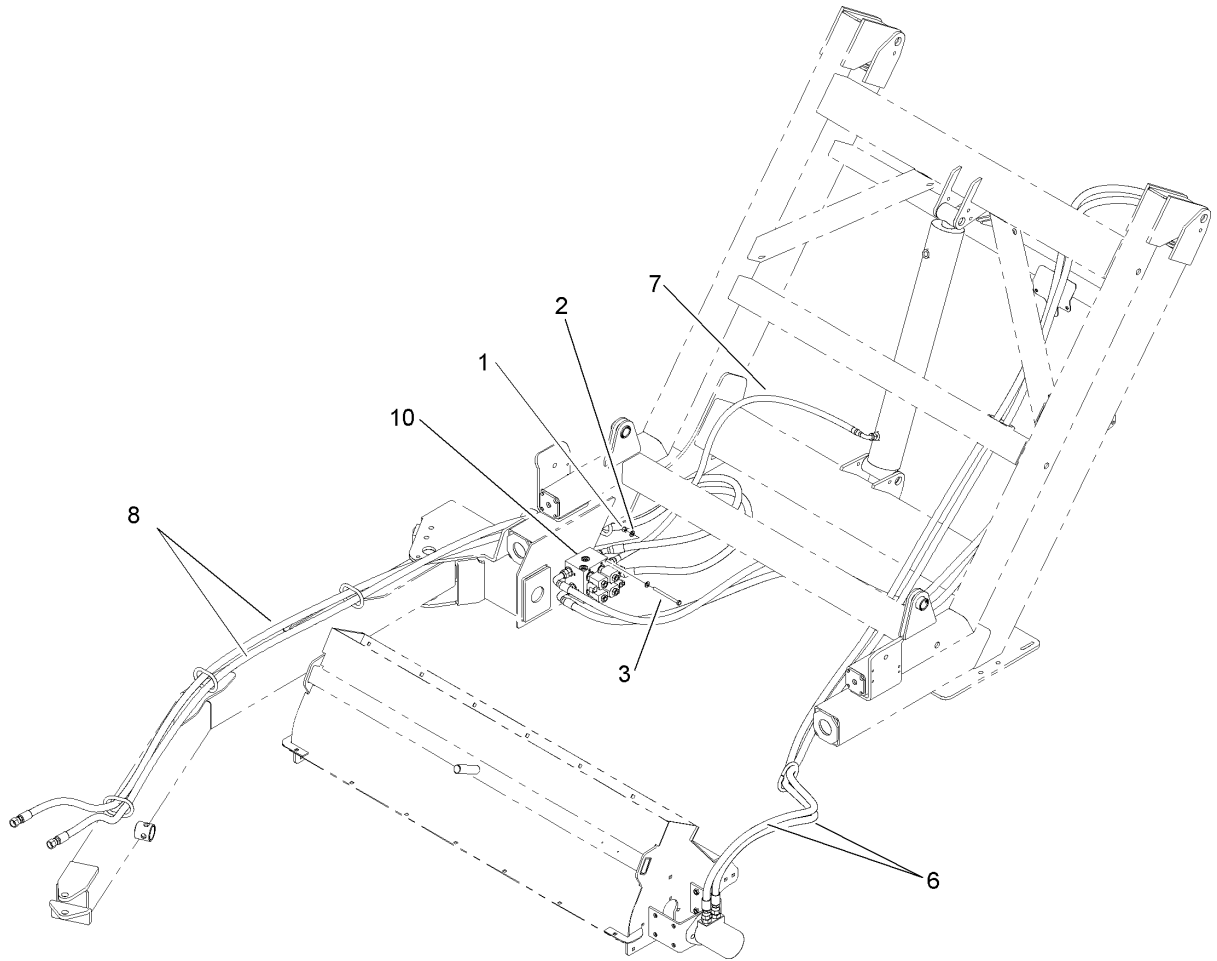
Ref	Part No.	Qty.	Description
1	107-1477-01	1	Angle-Scraper
3	107-1294-03	1	Roller ASM
6	107-1358	2	Bearing-Flange
6:1	107-1357	1	Bearing
6:1:1	251-246	1	Collar W/set Screws
6:1:2	3246-17	1	Setscrew-HSH
6:2	107-1356	2	Flange-2 Bolt
7	3296-29	4	Nut-Lock, NI
9	107-1438	2	Key-Adjuster, Bent
10	107-1437-01	2	Plate-Adjuster
11	3230-2	4	Bolt-CARR
12	104-8301	10	Nut-Flange, NI
14	3231-25	8	Screw-CARR
15	3231-4	2	Screw-CARR



Hopper Assembly

Ref	Part No.	Qty.	Description
1	107-1272	1	Hopper-Dump
2	3256-24	13	Washer-Flat
3	3296-39	34	Nut-Lock, NI
4	107-1225-03	1	Baffle-Hopper
6	323-7	21	Screw-HH
7	107-1462-03	1	Baffle-RH
8	107-1442-03	1	Baffle-LH
9	323-6	8	Screw-HH
10	3256-35	13	Washer-Flat

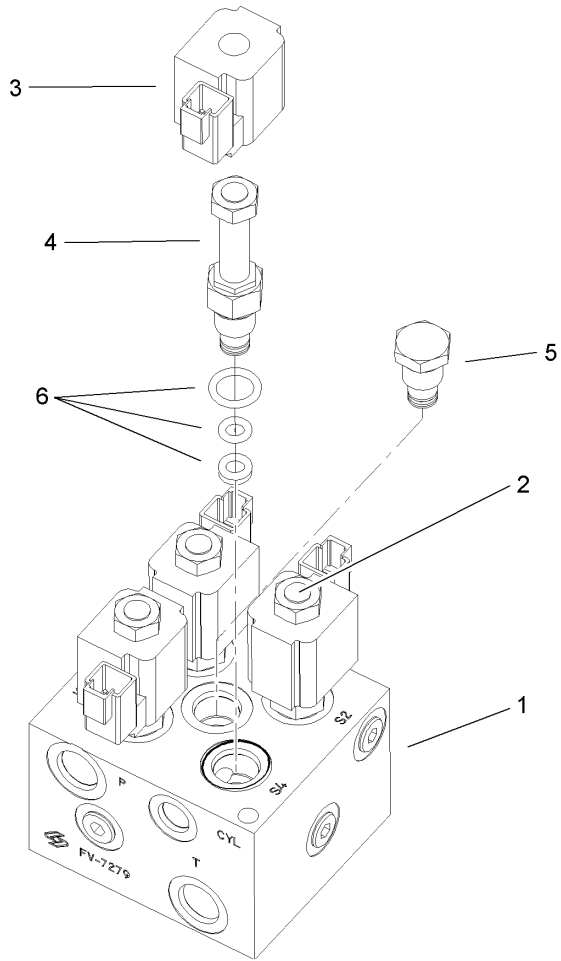
--	--	--	--



Hose Assembly

Ref	Part No.	Qty.	Description
1	3296-29	2	Nut-Lock, NI
2	3256-23	4	Washer-Flat
3	322-19	2	Screw-HH
6	107-1394	2	HYD Hose ASM
7	107-1396	1	HYD Hose ASM
8	107-1395	2	HYD Hose ASM
10	107-1400	1	Block-Manifold

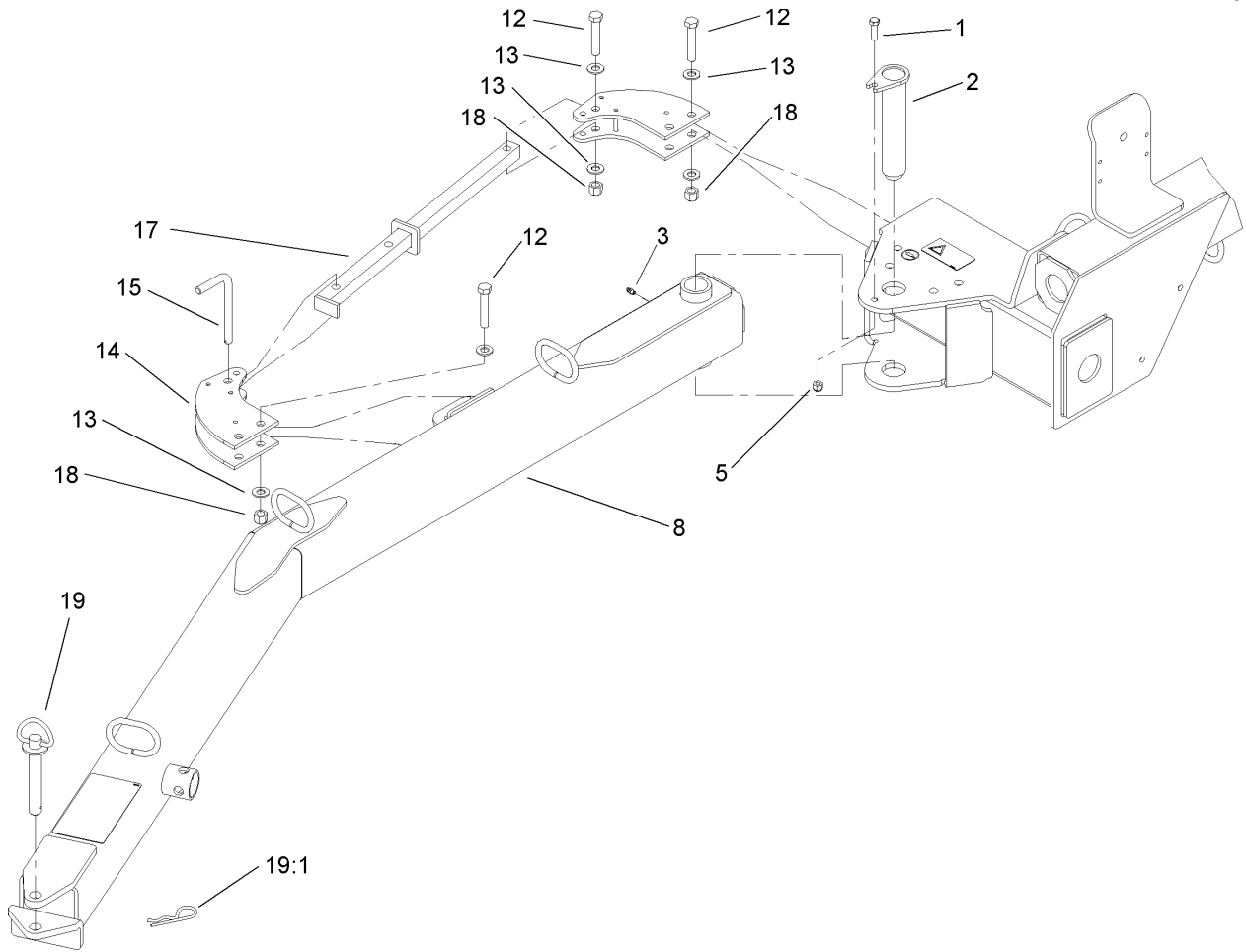
--	--	--	--



Manifold Block Assembly No. 107-1400

Ref	Part No.	Qty.	Description
1		1	Valve Body
2	108-2884	1	Valve-Solenoid
3	108-2885	4	Receptacle-Deutsch, 12 Vdc
4	108-2886	3	Valve-Solenoid
5	108-2887	1	Valve-Check
6	95-1232	4	Kit-Seal, Valve

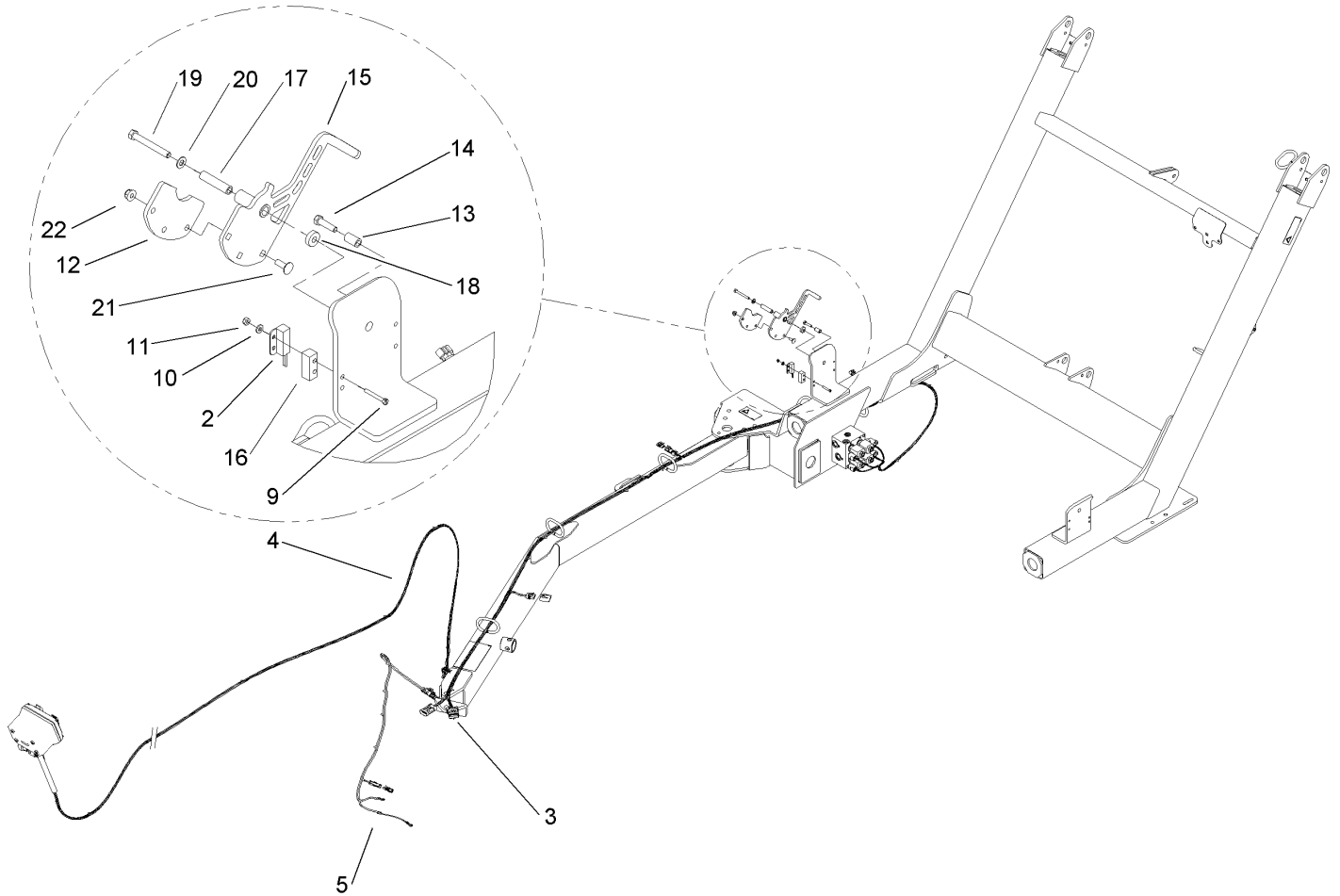
--	--	--	--



Tongue Assembly

Ref	Part No.	Qty.	Description
1	323-7	1	Screw-HH
2	107-1259	1	Pin-Hitch, Flag
3	302-5	1	Fitting-Grease
5	104-8301	1	Nut-Flange, NI
8	108-0782	1	Tongue-Hitch
12	325-11	5	Screw-HH
13	3256-26	10	Washer-Flat
14	107-1466-01	2	Tab-Actuator, Front
15	66-4060	1	Pin-Idler
17	108-0740-01	1	Bar-Link
18	3296-23	5	Nut-Lock, NI
19	13-6200	1	Pin-Hitch, Pointed
19:1	3290-343	1	Pin-Hair

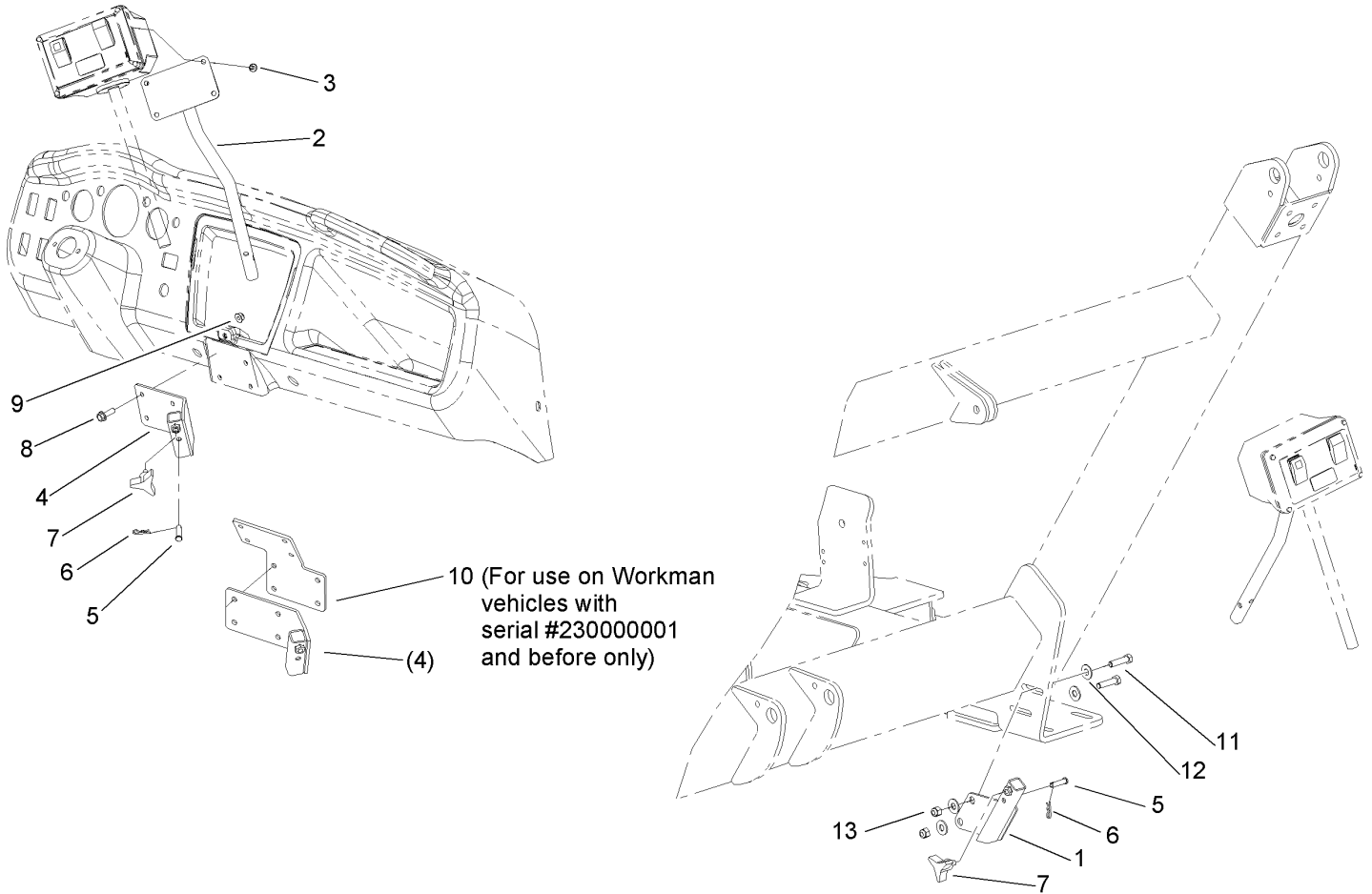
--	--	--	--



Wire Harness Assembly

Ref	Part No.	Qty.	Description
2	100-1270	1	Switch-Proximity
3	107-1420	1	Harness-Wire, Trailer
4	107-1382	1	Remote Control ASM
5	107-1419	1	Harness-Wire, Power
9	32105-5	2	Screw
10	3256-14	2	Washer-Flat
11	3296-2	2	Nut-Lock
12	108-0842-01	1	Weight-Arm, Switch
13	92-6999	1	Spacer-Yoke
14	322-6	1	Screw-HH
15	108-0848-01	1	Cam-Switch
16	105-0064	1	Spacer-Switch
17	108-0849	1	Spacer-Cam
18	26-4840	1	Spacer-Pin, Mounting
19	322-13	1	Screw-HH
20	3256-23	1	Washer-Flat
21	3230-10	3	Screw-CARR
22	104-8300	3	Nut-Flange, NI

--	--	--	--



Control Box Mounting Assembly

Ref	Part No.	Qty.	Description
1	107-1365-01	1	Receiver ASM
2	108-0770-03	1	Control Box Mount ASM
3	3234-26	26	Screw
4	106-7992-03	1	Receiver ASM
5	283-6	2	Pin-Clevis
6	3290-307	2	Pin-Hair
7	92-9674	2	Knob
8	3234-17	4	Screw-HHF
9	104-8300	4	Nut-Flange, NI
10	107-2811-03	1	Bracket-Adapter, Control
11	323-8	2	Screw-HH
12	3256-4	4	Washer-Flat
13	3296-39	2	Nut-Lock, NI

--	--	--	--

Attachments and Accessories

For 07065 - Pro Sweep 5200

Product Name	Model/Part
Brake Kit 07086
Windrow Kit 07087
Electric Offset Arm 07088
Jack ASM 106-9699
Wheel Scraper Kit 107-1370
Slow-Moving Vehicle Sign Kit 107-1372
Side Mirror Kit 107-8048
Pin-Hitch, Pointed 13-6200
Rear View Mirror Kit 92-2670

NOTES

NOTES

