



Mid-Size Proline T-Bar Traction Unit

Model No. 30187—Serial No. 250000001 and Up

Operator's Manual



Warning



CALIFORNIA

Proposition 65 Warning

The engine exhaust from this product contains chemicals known to the State of California to cause cancer, birth defects, or other reproductive harm.

Important This engine is not equipped with a spark arrester muffler. It is a violation of California Public Resource Code Section 4442 to use or operate this engine on any forest-covered, brush-covered or grass-covered land. Other states or federal areas may have similar laws.

This spark ignition system complies with Canadian ICES-002.

Ce système d'allumage par étincelle de véhicule est conforme à la norme NMB-002 du Canada.

The enclosed Engine Owner's Manual is supplied for information regarding The U.S. Environmental Protection Agency (EPA) and the California Emission Control Regulation of emission systems, maintenance and warranty.

Keep this engine Owner's Manual with your unit. Should this engine Owner's Manual become damaged or illegible, replace immediately. Replacements may be ordered through the engine manufacturer.

Contents

	Page
Introduction	2
Safety	3
Safe Operating Practices	3
Toro Mower Safety	4
Slope Chart	6
Safety and Instruction Decals	8
Gasoline and Oil	10
Recommended Gasoline	10
Using Stabilizer/Conditioner	10
Filling the Fuel Tank	10
Check Engine Oil Level	10
Setup	11
Loose Parts	11
Installing the Drive Wheels	12
Installing the Upper Handle	12
Installing the Control Rods	12
Installing the Battery	13
Activating the Battery	14

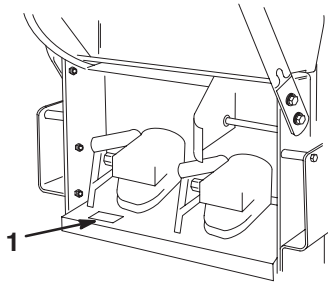
	Page
Operation	15
Think Safety First	15
Controls	15
Starting and Stopping the Engine	16
Operating Mower Blade Control (PTO)	16
The Safety Interlock System	17
Driving Forward or Backward	17
Placing Machine in Neutral	18
Stopping the Machine	18
Transporting Machines	18
Pushing the Machine by Hand	19
Maintenance	20
Recommended Maintenance Schedule	20
Servicing the Air Cleaner	21
Servicing the Engine Oil	22
Servicing the Spark Plug	23
Cleaning the Cooling Systems	24
Checking the Tire Pressure	24
Servicing the Fuse	24
Servicing the Fuel Tank	25
Servicing the Fuel Filter	25
Servicing the Hydraulic System	26
Adjusting the By-pass Valve	27
Replacing the Traction Belt	28
Adjusting the Electric Clutch	29
Adjusting the Machine Neutral	29
Servicing the Battery	30
Wiring Diagram	32
Hydraulic Diagram	33
Cleaning and Storage	33
Troubleshooting	34
The Toro Total Coverage Guarantee	36

Introduction

Read this manual carefully to learn how to operate and maintain your product properly. The information in this manual can help you and others avoid injury and product damage. Although Toro designs and produces safe products, you are responsible for operating the product properly and safely.

You may contact Toro directly at www.Toro.com for product and accessory information, help finding a dealer, or to register your product.

Whenever you need service, genuine Toro parts, or additional information, contact an Authorized Service Dealer or Toro Customer Service and have the model and serial numbers of your product ready. Figure 1 illustrates the location of the model and serial numbers on the product.



m-3097

Figure 1

1. Location of the model and serial numbers

Write the product model and serial numbers in the space below:

<p>Model No. _____</p> <p>Serial No. _____</p>
--

This manual identifies potential hazards and has special safety messages that help you and others avoid personal injury and even death. **Danger**, **Warning**, and **Caution** are signal words used to identify the level of hazard. However, regardless of the hazard, be extremely careful.

Danger signals an extreme hazard that *will* cause serious injury or death if you do not follow the recommended precautions.

Warning signals a hazard that *may* cause serious injury or death if you do not follow the recommended precautions.

Caution signals a hazard that may cause minor or moderate injury if you do not follow the recommended precautions.

This manual uses two other words to highlight information. **Important** calls attention to special mechanical information and **Note**: emphasizes general information worthy of special attention.

Safety

This machine meets or exceeds the B71.4-2004 specifications of the American National Standards Institute in effect at the time of production.

Note: The addition of attachments made by other manufacturers that do not meet American National Standards Institute certification will cause noncompliance of this machine.

Improper use or maintenance by the operator or owner can result in injury. To reduce the potential for injury, comply with these safety instructions and always pay attention to the safety alert ▲ symbol, which means

CAUTION, WARNING, or DANGER—“personal safety instruction.” Failure to comply with the instruction may result in personal injury or death.

Safe Operating Practices

The following instructions are from ANSI standard B71.4—2004.

Training

- Read the Operator’s Manual and other training material. If the operator(s) or mechanic(s) can not read English it is the owner’s responsibility to explain this material to them.
- Become familiar with the safe operation of the equipment, operator controls, and safety signs.
- All operators and mechanics should be trained. The owner is responsible for training the users.
- Never let children or untrained people operate or service the equipment. Local regulations may restrict the age of the operator.
- The owner/user can prevent and is responsible for accidents or injuries occurring to himself or herself, other people or property.

Preparation

- Evaluate the terrain to determine what accessories and attachments are needed to properly and safely perform the job. Only use accessories and attachments approved by the manufacturer.
- Wear appropriate clothing including hard hat, safety glasses and hearing protection. Long hair, loose clothing or jewelry may get tangled in moving parts.
- Inspect the area where the equipment is to be used and remove all objects such as rocks, toys and wire which can be thrown by the machine.
- Use extra care when handling gasoline and other fuels. They are flammable and vapors are explosive.
 - Use only an approved container
 - Never remove gas cap or add fuel with engine running. Allow engine to cool before refueling. Do not smoke.
 - Never refuel or drain the machine indoors.
- Check that operator’s presence controls, safety switches and shields are attached and functioning properly. Do not operate unless they are functioning properly.

Operation

- Never run an engine in an enclosed area.
- Only operate in good light, keeping away from holes and hidden hazards.
- Be sure all drives are in neutral and parking brake is engaged before starting engine. Only start engine from the operator's position.
- Be sure of your footing while using this machine, especially when backing up. Walk, don't run. Never operate on wet grass. Reduced footing could cause slipping.
- Slow down and use extra care on hillsides. Be sure to travel side to side on hillsides. Turf conditions can affect the machine's stability. Use caution while operating near drop-offs.
- Slow down and use caution when making turns and when changing directions on slopes.
- Never raise deck with the blades running.
- Never operate with the PTO shield, or other guards not securely in place. Be sure all interlocks are attached, adjusted properly, and functioning properly.
- Never operate with the discharge deflector raised, removed or altered, unless using a grass catcher.
- Do not change the engine governor setting or overspeed the engine.
- Stop on level ground, disengage drives, engage parking brake (if provided), shut off engine before leaving the operator's position for any reason including emptying the catchers or unclogging the chute.
- Stop equipment and inspect blades after striking objects or if an abnormal vibration occurs. Make necessary repairs before resuming operations.
- Keep hands and feet away from the cutting unit.
- Look behind and down before backing up to be sure of a clear path.
- Keep pets and bystanders away.
- Slow down and use caution when making turns and crossing roads and sidewalks. Stop blades if not mowing.
- Be aware of the mower discharge direction and do not point it at anyone.
- Do not operate the mower under the influence of alcohol or drugs.
- Use care when loading or unloading the machine into or from a trailer or truck.
- Use care when approaching blind corners, shrubs, trees, or other objects that may obscure vision.

Maintenance and storage

- Disengage drives, set parking brake, stop engine and remove key or disconnect spark plug wire. Wait for all movement to stop before adjusting, cleaning or repairing.
- Clean grass and debris from cutting unit, drives, mufflers, and engine to help prevent fires. Clean up oil or fuel spillage.
- Let engine cool before storing and do not store near flame.
- Shut off fuel while storing or transporting. Do not store fuel near flames or drain indoors.
- Park machine on level ground. Set parking brake. Never allow untrained personnel to service machine.
- Use jack stands to support components when required.
- Carefully release pressure from components with stored energy.
- Remove spark plug wire before making any repairs.
- Use care when checking blades. Wrap the blade(s) or wear gloves, and use caution when servicing them. Only replace blades. Never straighten or weld them.
- Keep hands and feet away from moving parts. If possible, do not make adjustments with the engine running.
- Keep all parts in good working condition and all hardware tightened. Replace all worn or damaged decals.

Toro Mower Safety

The following list contains safety information specific to Toro products and other safety information you must know.

This product is capable of amputating hands and feet and throwing objects. Always follow all safety instructions to avoid serious injury or death.

This product is designed for cutting and recycling grass or, when equipped with a grass bagger, for catching cut grass. Any use for purposes other than these could prove dangerous to user and bystanders.

General Operation

- Allow only responsible adults who are familiar with the instructions to operate the machine.
- Be sure the area is clear of other people before mowing. Stop the machine if anyone enters the area.
- Do not mow in reverse unless absolutely necessary. Always look down and behind before and while backing.

- Be aware of the mower discharge direction and do not point it at anyone. Do not operate the mower without either the entire grass catcher or the guard in place.
- Slow down before turning. Sharp turns on any terrain may cause loss of control.
- Turn off blades when not mowing.
- Keep hands, feet, hair and loose clothing away from attachment discharge area, underside of mower and any moving parts while engine is running.
- Stop the engine before removing the grass catcher or unclogging the chute.
- Mow only in daylight or good artificial light.
- Watch for traffic when operating near or crossing roadways.
- Do not touch equipment or attachment parts which may be hot from operation. Allow to cool before attempting to maintain, adjust or service.
- Use only Toro-approved attachments. Warranty may be voided if used with unapproved attachments.

Slope Operation

Slopes and ramps are a major factor related to loss-of-control and accidents, which can result in severe injury or death. All slopes and ramps require extra caution. If you feel uneasy on a slope, do not mow it.

DO

- Remove obstacles such as rocks, tree limbs, etc. from the mowing area.
- Watch for holes, ruts or bumps. Tall grass can hide obstacles.
- Use slow speed so that you will not have to stop while on the slope.
- Use extra care with grass catchers or other attachments. These can change the stability of the machine.
- Keep all movement on slopes slow and gradual. Do not make sudden changes in speed or direction.
- Avoid starting or stopping on a slope. If tires lose traction, disengage the blades.
- Check carefully for overhead clearances (i.e. branches, doorways, electrical wires) before driving under any objects and do not contact them.
- Mow slopes side to side.

DO NOT

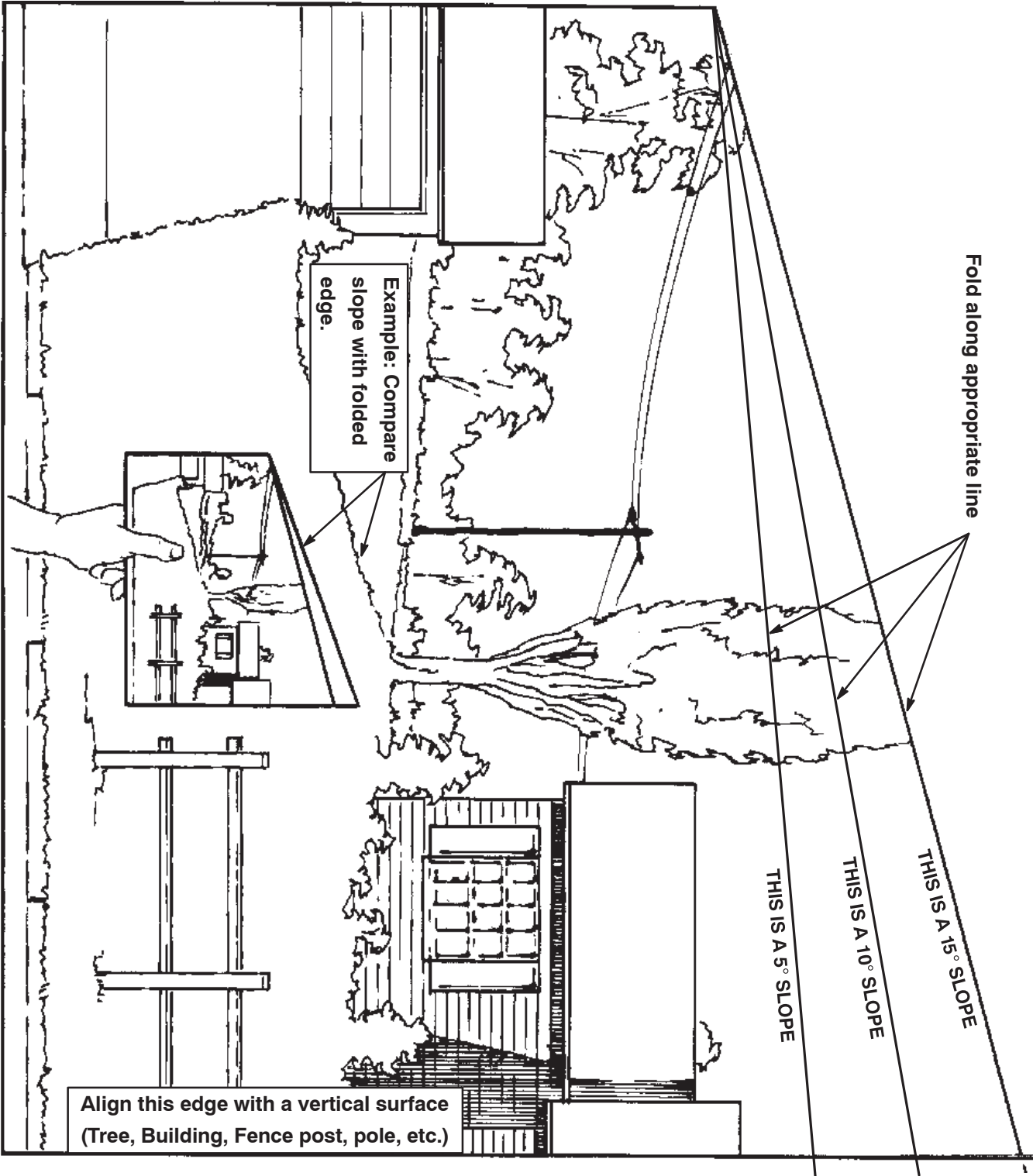
- Do not mow slopes greater than 15 degrees.
- Avoid turning on slopes. If you must turn, turn slowly and gradually downhill, if possible.

- Do not mow near drop-offs, ditches, or embankments. The machine could suddenly turn over if a wheel goes over the edge of a cliff or ditch, or if an edge caves in.
- Do not mow on wet grass. Reduced traction could cause sliding.
- Do not use a grass catcher on steep slopes. Heavy grass bags could cause loss of control of the machine.
- Do not mow up and down slopes.

Service

- Never store the machine or fuel container inside where there is an open flame, such as near a water heater or furnace.
- Keep nuts and bolts tight, especially the blade attachment bolts. Keep equipment in good condition.
- Never tamper with safety devices. Check safety systems for proper operation before each use.
- Use only genuine replacement parts to ensure that original standards are maintained.
- Check brake operation frequently. Adjust and service as required.

Slope Chart



Safety and Instruction Decals



Safety decals and instructions are easily visible to the operator and are located near any area of potential danger. Replace any decal that is damaged or lost.



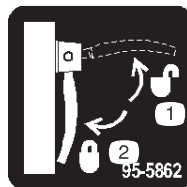
82-4590



95-1523



95-2814



95-5862

1. Unlock

2. Lock



98-4387

1. Warning—wear hearing protection.



104-2838



106-0699



Battery Symbols


Some or all of these symbols are on your battery.

1. Explosion hazard
2. No fire, open flames, or smoking.
3. Caustic liquid/chemical burn hazard
4. Wear eye protection
5. Read the *Operator's Manual*.
6. Keep bystanders a safe distance from the battery.
7. Wear eye protection; explosive gases can cause blindness and other injuries
8. Battery acid can cause blindness or severe burns.
9. Flush eyes immediately with water and get medical help fast.
10. Contains lead; do not discard.


PRESSURE VALVE ADJUSTMENT

LOOSEN JAM NUT AND GENTLY CLOSE VALVE.

OPEN VALVE 1/2 TURN AND LOCK THE ADJUSTMENT BY TIGHTENING THE JAM NUT.



SEE OPERATOR'S MANUAL FOR DETAILED PROCEDURE



106-0702

106-0702



CHOKE

FAST

SLOW

ENGINE SPEED



IGNITION

106-0687



1

2

BLADE ENGAGEMENT

PROLINE



106-0687

⚠ DANGER AVOID SERIOUS INJURY or DEATH:

- DO NOT MOW WHEN CHILDREN OR OTHERS ARE AROUND.
- DO NOT ALLOW OPERATION OF THE MACHINE BY UNTRAINED PERSONNEL.
- KEEP SAFETY DEVICES (GUARDS, SHIELDS, ETC.) IN PLACE & WORKING.
- REMOVE OBJECTS THAT COULD BE THROWN BY THE BLADE.
- READ THE OPERATOR'S MANUAL, FOR REPLACEMENT MANUAL, SEND MODEL AND SERIAL NUMBER TO: THE TORO CO., 8111 LYNDALE AVE. S., BLOOMINGTON, MN 55420-1196



95-1544

95-1544

Gasoline and Oil

Recommended Gasoline

Use **Unleaded** Regular Gasoline suitable for automotive use (85 pump octane minimum). Leaded regular gasoline may be used if unleaded regular is not available.

Important Never use methanol, gasoline containing methanol, or gasohol containing more than 10% ethanol because the fuel system could be damaged. Do not mix oil with gasoline.



Danger



In certain conditions, gasoline is extremely flammable and highly explosive. A fire or explosion from gasoline can burn you and others and can damage property.

- Fill the fuel tank outdoors, in an open area, when the engine is cold. Wipe up any gasoline that spills.
- Never fill the fuel tank inside an enclosed trailer.
- Do not fill the fuel tank completely full. Add gasoline to the fuel tank until the level is 1/4 to 1/2 inch (6 to 13 mm) below the bottom of the filler neck. This empty space in the tank allows gasoline to expand.
- Never smoke when handling gasoline, and stay away from an open flame or where gasoline fumes may be ignited by a spark.
- Store gasoline in an approved container and keep it out of the reach of children. Never buy more than a 30-day supply of gasoline.
- Always place gasoline containers on the ground away from your vehicle before filling.
- Do not fill gasoline containers inside a vehicle or on a truck or trailer bed because interior carpets or plastic truck bed liners may insulate the container and slow the loss of any static charge.
- When practical, remove gas-powered equipment from the truck or trailer and refuel the equipment with its wheels on the ground.
- If this is not possible, then refuel such equipment on a truck or trailer from a portable container, rather than from a gasoline dispenser nozzle.
- If a gasoline dispenser nozzle must be used, keep the nozzle in contact with the rim of the fuel tank or container opening at all times until fueling is complete.



Warning



Gasoline is harmful or fatal if swallowed. Long-term exposure to vapors can cause serious injury and illness.

- Avoid prolonged breathing of vapors.
- Keep face away from nozzle and gas tank or conditioner opening.
- Keep gas away from eyes and skin.

Using Stabilizer/Conditioner

Use a fuel stabilizer/conditioner in the machine to provide the following benefits:

- Keeps gasoline fresh during storage of 90 days or less. For longer storage it is recommended that the fuel tank be drained.
- Cleans the engine while it runs
- Eliminates gum-like varnish buildup in the fuel system, which causes hard starting

Important Do not use fuel additives containing methanol or ethanol.

Add the correct amount of gas stabilizer/conditioner to the gas.

Note: A fuel stabilizer/conditioner is most effective when mixed with fresh gasoline. To minimize the chance of varnish deposits in the fuel system, use fuel stabilizer at all times.

Filling the Fuel Tank

1. Shut the engine off and set the parking brake.
2. Clean around fuel tank cap and remove the cap. Add unleaded regular gasoline to fuel tank, until the level is 1/4 to 1/2 inch (6 to 13 mm) below the bottom of the filler neck. This space in the tank allows gasoline to expand. Do not fill the fuel tank completely full.
3. Install fuel tank cap securely. Wipe up any gasoline that may have spilled.

Check Engine Oil Level

Before you start the engine and use the machine, check the oil level in the engine crankcase; refer to Checking the Engine Oil Level, page 22.

Setup

Note: Determine the left and right sides of the machine from the normal operating position.

Loose Parts

Note: Use the chart below to verify all parts have been shipped.

DESCRIPTION	QTY.	USE
Wheel	2	Installing the drive wheels
Nut	8	
Upper handle	1	Installing the upper handle
Flanged bolt, 3/8 x 1 inch	4	
Flange nut, 3/8 inch	4	
Clevis pin	1	Installing the control rods
Washer	1	
Hairpin cotter	2	
Battery	1	Installing the battery
Battery holder	2	
Battery pad	2	
Bolt, 3/8 x 1-3/4 inch	2	
Locknut, 3/8 inch	2	
Battery strap	1	
Battery support rod	2	
Locknut, 1/4 inch	2	
Carriage bolt, 1/4 x 3/4 inch	2	
Nut, 1/4 inch	2	
Terminal boot	2	
Flange bolt, 1/2 x 1-1/4 inch	4	Replace (6) 1/2 x 1 inch flange bolts supplied with mowers
Flange bolt, 1/2 x 1-3/4 inch	2	
Hydraulic filter	1	Use for initial hydraulic filter change
Operator's Manual	1	Read before operating machine
Engine Operator's Manual	1	
Parts Catalog	1	
Registration card	1	Fill out and return to Toro

Installing the Drive Wheels

1. Mount wheels to wheel motor hubs with 8 lug nuts (Fig. 2). Torque bolts to 55 ft-lb (75 N·m).

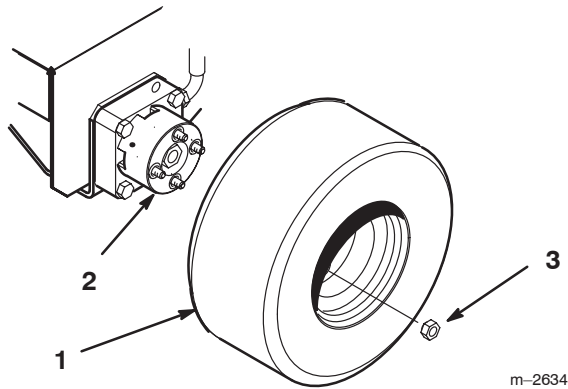


Figure 2

- | | |
|----------|------------|
| 1. Wheel | 3. Lug nut |
| 2. Hub | |

Installing the Upper Handle

1. Align upper handle with mounting holes in rear frame (Fig. 3). Select high, medium or low position for lower mounting hole.
2. Secure each side with 2 flange bolts (3/8 x 1 inch) and 2 flange nuts (Fig. 3). Torque bolts to 25 ft-lb (34 N·m).

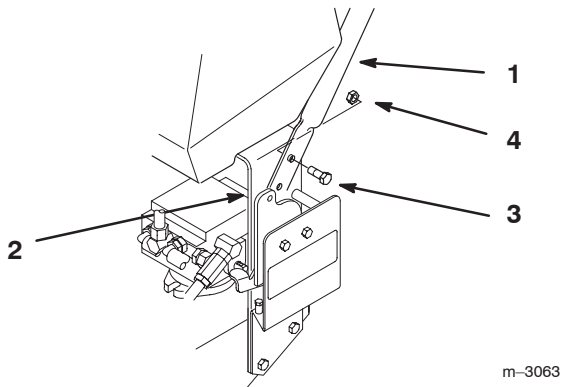


Figure 3

- | | |
|-----------------|------------------------------|
| 1. Upper handle | 3. Flange bolt, 3/8 x 1 inch |
| 2. Rear frame | 4. Flange nut, 3/8 inch |

Installing the Control Rods

Before installing and adjusting control rods loosen quick release levers and move reference control bar all the way forward.

Installing the Left Control Rod

1. Slide clevis pin through rod fitting and mounting hole in control bracket (from outside). Secure with washer and hairpin cotter (Fig. 4).
2. Remove hairpin cotter and rod from upper control bars.
3. Press and hold upper control bars against reference bar, so stop hits.
4. Push rod full forward until bearing is against control bracket stop. Thread rod in or out of fitting on control bracket until rod aligns with holes in upper control bars (Fig. 4).
5. When rod and holes in upper control bars line up, turn rod one additional turn, so rod is shorter.

Note: Upper control bar stop must hit reference bar before roller hits control bracket stop.

6. Connect rod to upper control bars with previously removed hairpin cotter.

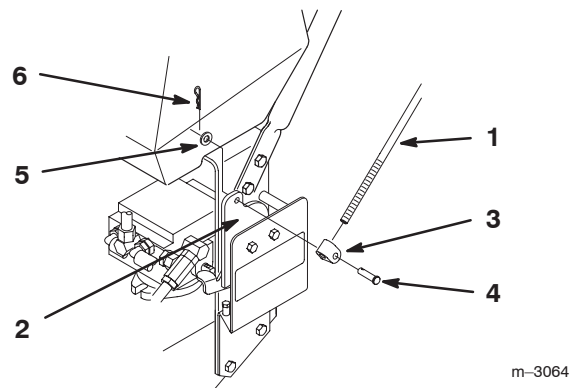


Figure 4

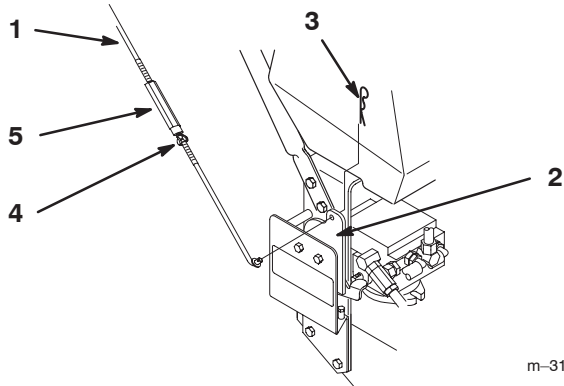
- | | |
|---------------------|-------------------|
| 1. Control rod-left | 4. Clevis pin |
| 2. Control bracket | 5. washer |
| 3. Rod fitting | 6. Hairpin cotter |

Installing the Right Control Rod

1. Slide rod into control bracket and secure with hairpin cotter (Fig. 5).
2. Remove hairpin cotter and rod from upper control bars.
3. Press and hold upper control bars against reference bar, so stop hits.
4. Push rod full forward until bearing is against control bracket stop. Loosen wing nut and thread turnbuckle in or out until rod aligns with holes in upper control bars (Fig. 4).
5. When rod and holes in upper control bars line up, rotate turnbuckle one additional turn, so rod is shorter.

Note: Upper control bar stop must hit reference bar before roller hits control bracket stop.

6. Connect rod to upper control bars with previously removed hairpin cotter, tighten wing nut and turnbuckle.



m-3103

Figure 5

- | | |
|----------------------|---------------|
| 1. Control rod—right | 4. Wing nut |
| 2. Control bracket | 5. Turnbuckle |
| 3. Hairpin cotter | |

Adjusting the Tracking

1. After completing assembly check machine tracking. Operate machine by holding upper control bar against reference bar with wheel drive engaged.
2. If machine does not track straight, moves more right or left, adjustment is required.
3. Loosen wing nut on right control rod and rotate turnbuckle in or out to change tracking. Secure turnbuckle in position with wing nut (Fig. 5).
4. Check for proper tracking.

Note: Control rods must be adjusted if handle height position is changed.

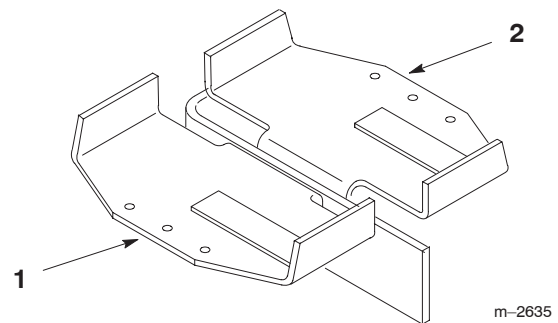
Installing the Battery

⚠
Warning
⚠

CALIFORNIA
Proposition 65 Warning

Battery posts, terminals, and related accessories contain lead and lead compounds, chemicals known to the State of California to cause cancer and reproductive harm. *Wash hands after handling.*

1. Mount battery holders to back side of left rear corner of cutting unit carrier frame with 2 bolts (3/8 x 1-3/4 inch) and locknuts (3/8 inch) (Fig. 6).
2. Peel off backing from battery pads and affix pads to battery holder, positioning as shown in Fig. 6.
3. Fill battery with electrolyte and charge, refer to Servicing the Battery, page 30.



m-2635

Figure 6

- | | |
|-------------------|-----------------|
| 1. Battery holder | 2. Battery pads |
|-------------------|-----------------|

4. Position battery onto holder with terminal posts away from the engine (Fig. 7).
5. Slide the red terminal boot onto the red battery cable and the black terminal boot onto the the black battery cable.
6. Install the positive (red) battery cable to positive (+) battery terminal and the negative battery cable to the negative (-) battery terminal. Secure cables with 2 carriage bolts (1/4 x 3/4 inch) and locknuts (1/4 inch).

7. Mount battery to holder with 2 support rods, a battery clamp and 2 locknuts (1/4 inch). Position support rods in mounting holes (Fig. 7). Tighten locknuts so battery is held securely in position and will not slide. **Do Not overtighten.**
8. Slide vent tube through hole, next to support rod, in battery holder.

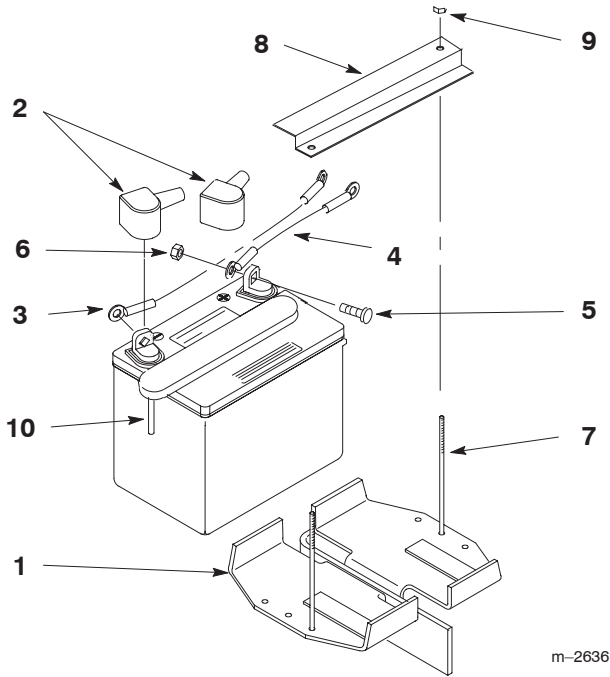


Figure 7

- | | |
|----------------------------------|------------------------|
| 1. Battery holder | 6. Nut, 1/4 inch |
| 2. Terminal boot | 7. Battery support rod |
| 3. Positive battery cable | 8. Battery clamp |
| 4. Negative battery cable | 9. Locknut, 1/4 inch |
| 5. Carriage bolt, 1/4 x 3/4 inch | 10. vent tube |

Activating the Battery

Bulk electrolyte with 1.260 specific gravity must be purchased from a local battery supply outlet.

1. Remove the battery from the machine.

Important Be careful not to damage the long vent tube when removing the battery.

⚠
Danger
⚠

Battery electrolyte contains sulfuric acid which is a deadly poison and causes severe burns.

- **Do not drink electrolyte and avoid contact with skin, eyes or clothing. Wear safety glasses to shield your eyes and rubber gloves to protect your hands.**
- **Fill the battery where clean water is always available for flushing the skin.**
- **Follow all instructions and comply with all safety messages on the electrolyte container.**

2. Remove filler caps from the battery. Slowly pour electrolyte into each cell until the electrolyte level is up to the lower part of the tube (Fig. 8).

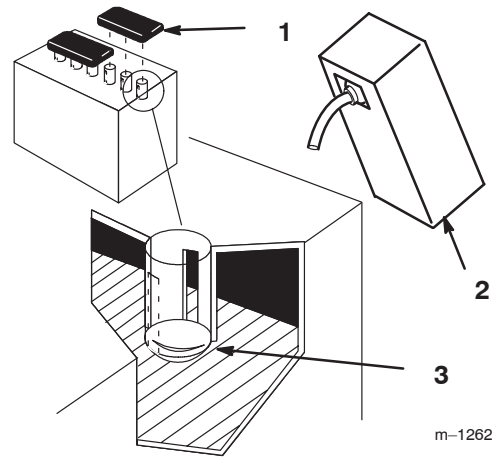


Figure 8

- | | |
|----------------|---------------------------|
| 1. Filler caps | 3. Lower part of the tube |
| 2. Electrolyte | |

3. Leave the covers off and connect a 3 to 4 amp battery charger to the battery posts (Fig. 9). Charge the battery at a rate of 4 amperes or less for 4 hours (12 volts).

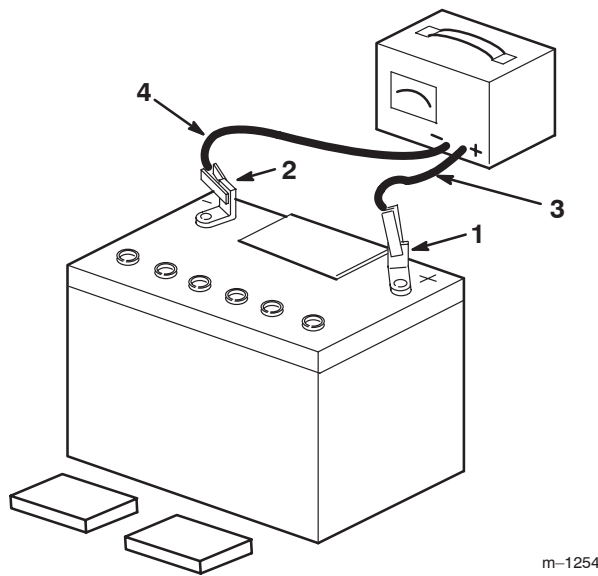


Figure 9

- | | |
|------------------|---------------------------|
| 1. Positive post | 3. Charger red (+) wire |
| 2. Negative post | 4. Charger black (-) wire |

Warning

Charging battery produces gasses that can explode and cause serious injury.

- Keep cigarettes, sparks and flames away from battery.
- Make sure the ignition switch is off.
- Ventilate when charging or using battery in an enclosed space.

4. When the battery is fully charged, disconnect the charger from the electrical outlet then from the negative and positive battery posts (Fig. 9).
5. Slowly pour electrolyte into each cell until the level is once again up to the upper line on the battery case (Fig. 8) and install covers.

Operation

Note: Determine the left and right sides of the machine from the normal operating position.

Think Safety First

Please carefully read all the safety instructions and symbols in the safety section. Knowing this information could help you, your family, pets or bystanders avoid injury.

The use of protective equipment for eyes, hearing, feet and head is recommended.

Caution

This machine produces sound levels in excess of 85 dBA at the operators ear and can cause hearing loss through extended periods of exposure.

Wear hearing protection when operating this machine.

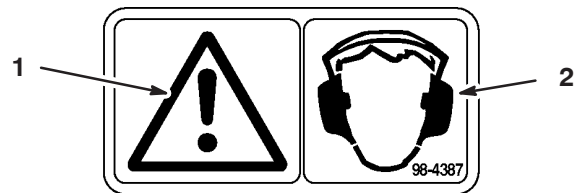


Figure 10

1. Warning—wear hearing protection.

Controls

Become familiar with all the controls (Fig. 11) before you start the engine and operate the machine.

Throttle Control – The throttle control has three positions: fast, slow and choke.

Blade Control Bail – Control bail used in conjunction with deck engagement switch (PTO) to release blade brake and engage clutch to drive mower blades. Release bail to disengage mower blades.

Blade Control Switch (PTO) – Rocker switch used in conjunction with control bail to release blade brake and engage clutch to drive mower blades.

Upper Control Bar – Push forward on control bar to engage forward traction operation, release to stop. Pull back on control bar to go backwards. Release either side of control bar to turn right or left.

Reference Handle – Limits forward travel of control bar to pre-set position to help maintain desired ground speed and direction of travel. It is locked in position with quick release levers.

Ignition Switch – Key switch is used with the electric starter. Switch has three positions: start, run and off.

Fuel Shut-off Valve – (Under fuel tank) Close fuel shut-off valve when transporting or storing mower.

Hour Meter – Shows total hours that machine has been operated. Only operates with ignition key in the on position.

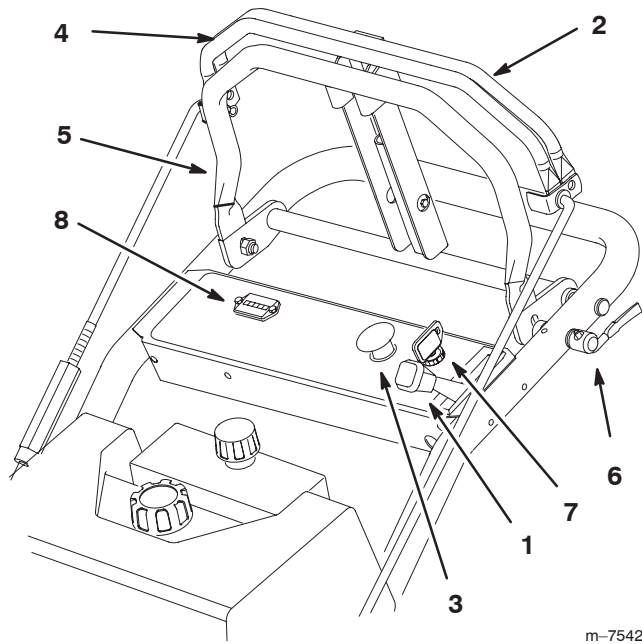


Figure 11

- | | |
|-------------------------------|------------------------|
| 1. Throttle control | 5. Reference handle |
| 2. Blade control bail | 6. Quick release lever |
| 3. Blade control switch (PTO) | 7. Ignition switch |
| 4. Upper control bar | 8. Hourmeter |

Starting and Stopping the Engine

Starting the Engine

1. Make sure spark plug wire(s) are installed on spark plug(s) and fuel valve is open.
2. Move the throttle control to the choke position before starting a cold engine.

Note: A warm or hot engine may require choking. After engine starts, move choke control to the run position.

3. Turn ignition key to start to energize the starter. When engine starts, release key.

Important Do not engage starter for more than 10 seconds at a time. If the engine fails to start allow 30 second cool-down period between attempts. Failure to follow these instructions can burn out starter motor.

4. When engine starts move the throttle control to the fast position.

Stopping the Engine

5. Move the throttle lever to the slow position (Fig. 12).

Note: If the engine has been working hard or is hot, let it idle for a minute before turning the ignition key off. This helps cool the engine before it is stopped. In an emergency, the engine may be stopped by turning the ignition key to off.

6. Turn the ignition key to off (Fig. 12).

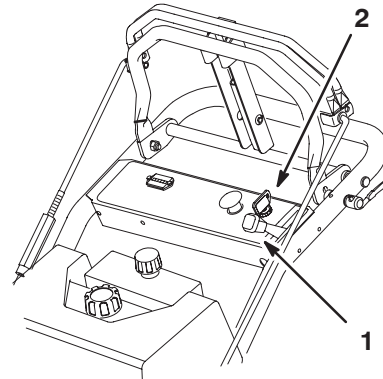


Figure 12

- | | |
|-------------------|-----------------|
| 1. Throttle lever | 2. Ignition key |
|-------------------|-----------------|

7. Pull wire off spark plug(s) to prevent possibility of accidental starting before transporting or storing machine.
8. Close fuel shut off valve, under fuel tank, before transporting or storing machine.

Important Make sure fuel shut off valve is closed before transporting or storing machine, as fuel leakage may occur.

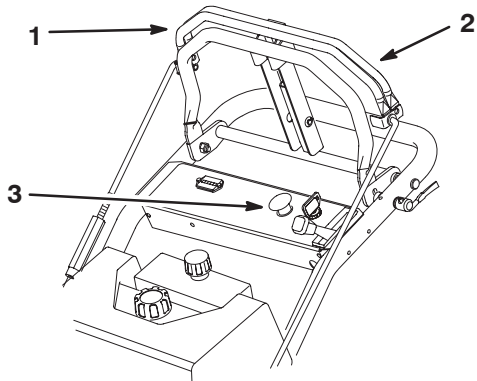
Operating Mower Blade Control (PTO)

The blade control switch (PTO) in conjunction with the blade control bail engages and disengages power to the electric clutch and mower blades.

Engaging the Mower Blades (PTO)

1. Release the upper control bar to stop the machine (Fig. 13).
2. To engage blade, squeeze blade control bail against upper control bar (Fig. 13).
3. Press blade control (PTO) rocker switch forward and release. Hold blade control bail against control bar while operating.

- Repeat procedure to engage mower blades if blade control bail is released.



m-7542

Figure 13

- | | |
|-----------------------|-------------------------------|
| 1. Upper control bar | 3. Blade control switch (PTO) |
| 2. Blade control bail | |

Disengaging the Mower Blades (PTO)

- Release the blade control bail to disengage blades (Fig. 13).

The Safety Interlock System

⚠
Caution
⚠

If safety interlock switches are disconnected or damaged the machine could operate unexpectedly causing personal injury.

- Do not tamper with the interlock switches.
- Check the operation of the interlock switches daily and replace any damaged switches before operating the machine.

Understanding the Safety Interlock System

The safety interlock system is designed to prevent the mower from starting unless the control bar is in the neutral position and to prevent the blades from rotating when the blade control is released.

Testing the Safety Interlock System

Test the safety interlock system before you use the machine each time. If the safety system does not operate as described below, have an Authorized Service Dealer repair the safety system immediately.

- Set the machine on a flat, open area.
- Push the control bar full forward.

- Rotate the ignition key to the start position and slowly move the control bar back to neutral. The engine should not crank until control bar is within 5 degrees of neutral position.
- Start the engine; refer to Starting and Stopping the Engine, page 16. With engine running and control bar in neutral position, squeeze control bail against control bar (Do not press deck engagement switch), clutch should not engage and blades must not rotate.
- Continue holding the blade control bail and press the rocker switch forward to on and release. The clutch should engage and the mower blades begin rotating.
- Release the blade control bail. The clutch must disengage and the blades stop rotating.
- Release the blade control bail (PTO), then push the blade control switch (PTO) to the on position without holding the blade control bail. The clutch must not engage and the blades must not rotate.
- If all the above conditions are not met have an Authorized Service Dealer repair the safety system immediately.

Driving Forward or Backward

The Enhanced T-Bar control system is designed to provide easy and comfortable operation of the hydrostatic drive. The control regulates ground speed, as well as forward, reverse and neutral functions, as well as steering direction.

The throttle control regulates the engine speed as measured in rpm (revolutions per minute). Place the throttle control in the fast position for best performance.

Operate the machine with the engine speed set at slow or medium when learning how to use the controls. Practice driving the machine in a level open area.

Selecting Ground Speed

- Place the quick release levers in the unlock position (Fig. 14).
- Move the reference bar forward or backward to set the desired forward speed. The pointer indicates approximate ground speed (Fig. 14). When the bar is in the full forward position the ground speed is approximately 6 mph. When the reference bar is in the middle position the ground speed is approximately 3 mph.

Note: In normal conditions, a 2.5 to 3.0 mph ground speed (middle position of the reference bar) is best for cutting performance. Use a faster ground speed for light cutting or transport. Use a slower ground speed in heavy cutting loads.

- Place the quick release levers in the lock position (Fig. 14).

Driving Forward

1. To go forward, slowly press on the upper control bar against the reference bar (Fig. 14).
2. To go straight, apply equal pressure to both ends of the upper control bar (Fig. 14).
3. To turn, release pressure on the upper control bar side toward the direction you want to turn (Fig. 14).
4. Adjust reference bar to maintain a comfortable pre-set ground speed (Fig. 14).
5. To stop, release the upper control bar to stop both wheels (Fig. 14).

Note: If the front of the deck lifts off the ground when the upper control bar is quickly pushed forward or the machine is unable to drive uphill, an adjustment may be needed. Refer to Adjusting the By-pass Valve on page 27.

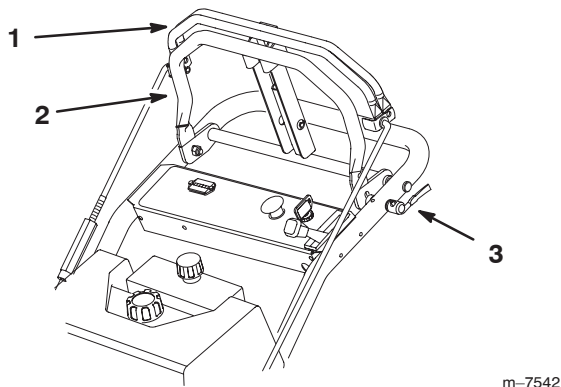


Figure 14

1. Upper control bar
2. Reference control bar
3. Quick release lever

Driving Backward

1. To go backward, slowly pull the control bar rearward (Fig. 14).
2. To go straight, apply equal pressure to both ends of the upper control bar (Fig. 14).
3. To turn, release pressure on the upper control bar side away from the direction you want to turn (Fig. 14).
4. To stop, release the upper control bar to stop both wheels (Fig. 14).

Placing Machine in Neutral

Release the upper control bar to stop. The machine will automatically return to neutral. When in neutral, the hydrostatic drive system will provide dynamic braking so the machine will not roll.

Note: Very slow drive motion with engine running and the control in neutral is normal. Excessive drive motion when the control is in neutral may indicate adjustment is needed. Refer to Adjusting the Machine Neutral on page 29.

Stopping the Machine

1. To stop, release the upper control bar to stop both wheels (Fig. 14).
2. Release the blade control bail (PTO), to stop the mower blades. Move the engine speed throttle control to the slow position.
3. Turn the ignition key to off. Remember to remove the key from the ignition switch.

Important If the machine is on a slope, block the wheels to prevent the machine from slowly rolling.

Important If the machine will be left unattended, close the fuel shut off valve and disconnect the wire(s) from the spark plug(s).



Caution



Children or bystanders may be injured if they move or attempt to operate the machine while it is unattended.

Always remove the ignition key and chock or block tires when leaving the machine unattended, even if just for a few minutes.

Transporting Machines

Use a heavy-duty trailer or truck to transport the machine. Ensure that the trailer or truck has all necessary lighting and marking as required by law. Please carefully read all the safety instructions. Knowing this information could help you, your family, pets or bystanders avoid injury.

To transport the machine:

- Chock or block wheels.
- Securely fasten the machine to the trailer or truck with straps, chains, cable, or ropes.

- Secure a trailer to towing vehicle with safety chains.

Important If the machine is loaded on a truck or trailer for transport, securely restrain the machine to prevent movement.

Pushing the Machine by Hand

The by-pass valve also allows the machine to be pushed by hand with the engine not running for easier servicing. If the by-pass valve is opened to push the machine by hand, adjustment is required for operation.

Important Always push the machine by hand. Never tow the machine because hydraulic damage may occur.

To Push the Machine

1. Disengage the power take off (PTO) and turn the ignition key to off.
2. Loosen jam nuts and rotate by-pass valves open 5 turns to push. This allows hydraulic fluid to by-pass the pump and the wheels to turn (Fig. 15).

Important Rotate by-pass valve a maximum of 5 turns so the valve does not come out of the body causing fluid to run out.

To Operate the Machine

If the by-pass valve is opened to push the machine by hand, adjustment is required for operation. Refer to Adjusting the By-pass Valve on page 27.

Note: The machine will not drive unless by-pass valves are properly adjusted.

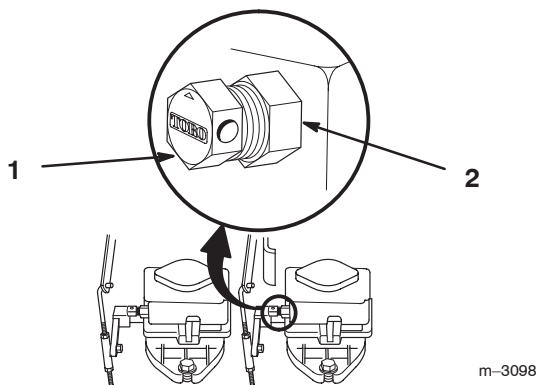


Figure 15

1. By-pass valve 2. Jam nut

Maintenance



Note: Determine the left and right sides of the machine from the normal operating position.

Recommended Maintenance Schedule

Maintenance Service Interval	Maintenance Procedure
Each Use	<ul style="list-style-type: none"> • Engine oil—check level • Safety System—check • Battery electrolyte—check • Cooling system—clean
After first 8 Hours	<ul style="list-style-type: none"> • Engine oil—change • Hydraulic filter—change
8 Hours	<ul style="list-style-type: none"> • Battery electrolyte—check • Hydraulic fluid—check
25 Hours	<ul style="list-style-type: none"> • Foam Air Cleaner—service¹
50 Hours	<ul style="list-style-type: none"> • Tires—check pressure • Belts—check for wear/cracks
100 Hours	<ul style="list-style-type: none"> • Engine oil—change¹ • Electric Clutch—adjust • Hydraulic lines—check • Paper Air Cleaner—replace¹ • Cooling system—clean
200 Hours	<ul style="list-style-type: none"> • Oil Filter—change (200 hours or every other oil change) • Fuel Filter—replace • Spark Plug(s)—check • Hydraulic oil filter—change
At storage	<ul style="list-style-type: none"> • Chipped Surfaces—paint • Perform all maintenance procedures listed above before storage

¹More often in dusty, dirty conditions.

Important Refer to your engine operator's manual for additional maintenance procedures.

 Caution 
<p>If you leave the key in the ignition switch, someone could accidentally start the engine and seriously injure you or other bystanders.</p> <p>Remove the key from the ignition and disconnect the wire from the spark plug(s) before you do any maintenance. Set the wire aside so that it does not accidentally contact the spark plug.</p>

Servicing the Air Cleaner

Service Interval/Specification

Foam Element: Clean and re-oil after every 25 operating hours.

Paper Element: Replace after every 100 operating hours.

Inspect the foam and paper elements, and replace them if they are damaged or excessively dirty.

Note: Service the air cleaner more frequently if operating conditions are extremely dusty or sandy.

Removing the Foam and Paper Elements

1. Disengage the power take off (PTO), set the parking brake, and turn the ignition key to off. Remove the key.
2. Clean around the air cleaner to prevent dirt from getting into the engine and causing damage. Unscrew the cover nut and remove the air cleaner cover (Fig. 16).
3. Remove the air cleaner assembly (Fig. 16).
4. Carefully slide the foam element off the paper element (Fig. 16).

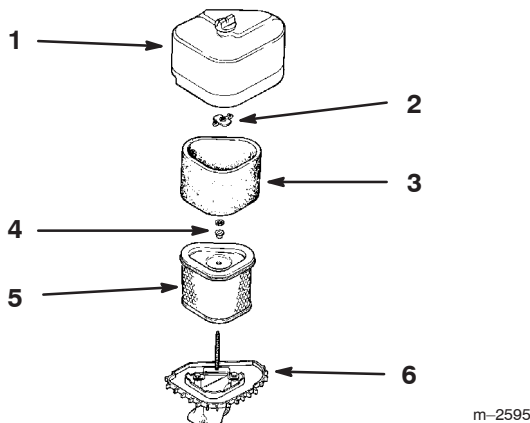


Figure 16

- | | |
|------------------|-----------------------|
| 1. Cover and nut | 4. Washer and grommet |
| 2. Wing nut | 5. Paper element |
| 3. Foam element | 6. Air cleaner base |

Cleaning the Foam Elements

1. Wash the foam element in liquid soap and warm water. When the element is clean, rinse it thoroughly.
2. Dry the element by squeezing it in a clean cloth.
3. Put one or two ounces of oil on the element (Fig. 17). Squeeze the element to distribute the oil.

Note: Excess oil in the foam element restricts the air flow through the element and may reach the paper filter and clog it.

Important Replace the foam element if it is torn or worn.

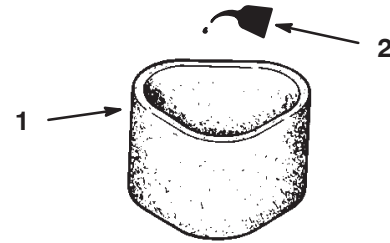


Figure 17

- | | |
|-----------------|--------|
| 1. Foam element | 2. Oil |
|-----------------|--------|

m-5193

Inspecting the Paper Element

Important Never clean the paper element with pressurized air or liquids, such as solvent, gas, or kerosene.

1. Inspect the element for tears, an oily film, and damage to the rubber seal (Fig. 18).
2. Replace the paper element if it is damaged or excessively dirty.

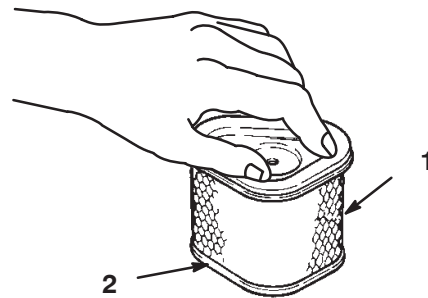


Figure 18

- | | |
|------------------|----------------|
| 1. Paper element | 2. Rubber seal |
|------------------|----------------|

m-5192

Installing the Foam and Paper Elements

Important To prevent engine damage, always operate the engine with the complete foam and paper air cleaner assembly installed.

1. Installing the Foam and Paper Elements
 1. Carefully slide the foam element onto the paper air cleaner element (Fig. 16).
 2. Place the air cleaner assembly onto the air cleaner base (Fig. 16).

Changing the Engine Oil Filter

Replace the oil filter every 200 hours or every other oil change.

Note: Change oil filter more frequently when operating conditions are extremely dusty or sandy.

1. Drain the oil from the engine; refer to Changing/Draining Oil, page 22.
2. Remove the old filter and wipe the filter adapter (Fig. 21) gasket surface.
3. Apply a thin coat of new oil to the rubber gasket on the replacement filter (Fig. 21).

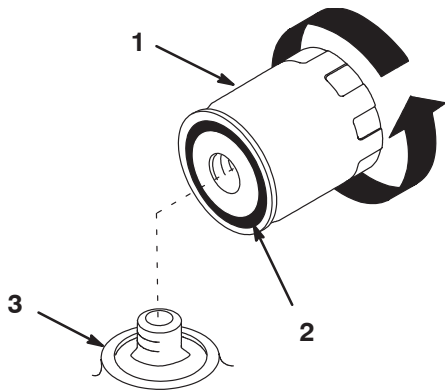


Figure 21

1. Oil filter
2. Gasket
3. Adapter

4. Install the replacement oil filter to the filter adapter. Turn the oil filter clockwise until the rubber gasket contacts the filter adapter, then tighten the filter an additional 1/2 turn (Fig. 21).
5. Fill the crankcase with the proper type of new oil; refer to Changing/Draining Oil, page 22.

Servicing the Spark Plug

Check the spark plug(s) after every 200 operating hours. Make sure the air gap between the center and side electrodes is correct before installing the spark plug. Use a spark plug wrench for removing and installing the spark plug(s) and a gapping tool/feeler gauge to check and adjust the air gap. Install a new spark plug(s) if necessary.

Type: Champion RC12YC or equivalent
Air Gap: 0.040 inch (1.02 mm)

Removing the Spark Plug(s)

1. Disengage the power take off (PTO), set the parking brake, and turn the ignition key to off. Remove the key.

2. Pull the wire(s) off the spark plug(s) (Fig. 22). Now clean around the spark plug(s) to prevent dirt from falling into the engine and potentially causing damage.
3. Remove the spark plug(s) and metal washer.

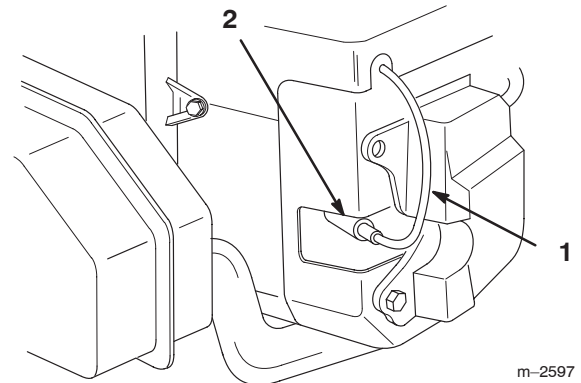


Figure 22

1. Spark plug wire
2. Spark plug

Checking the Spark Plug

1. Look at the center of the spark plug(s) (Fig. 23). If you see light brown or gray on the insulator, the engine is operating properly. A black coating on the insulator usually means the air cleaner is dirty.

Important Never clean the spark plug(s). Always replace the spark plug(s) when it has: a black coating, worn electrodes, an oily film, or cracks.

2. Check the gap between the center and side electrodes (Fig. 23). Bend the side electrode (Fig. 23) if the gap is not correct.

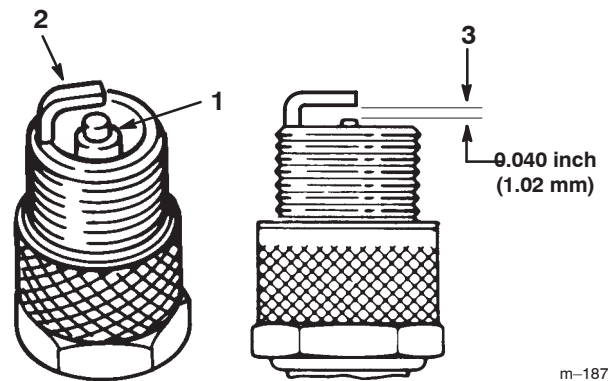



Figure 23

1. Center electrode insulator
2. Side electrode
3. Air gap (not to scale)

Installing the Spark Plug(s)

1. Install the spark plug(s) and metal washer. Make sure the air gap is set correctly.
2. Tighten the spark plug(s) to 20 ft-lb (27 N .
3. Push the wire(s) onto the spark plug(s) (Fig. 22).

Cleaning the Cooling Systems

Before each use, check and clean hydraulic and engine cooling systems. Remove any build-up of grass, dirt or other debris from the oil cooler screen and engine air intake. Every 100 hours clean oil cooler, engine cylinder and cylinder head cooling fins. Also clean around carburetor, governor levers and linkage. This will help insure adequate cooling to hydraulic pumps, motors and engine and will reduce the possibility of overheating and mechanical damage.

1. Remove oil cooler from the engine (Fig. 24). Save all mounting hardware.
2. Blow out fins of oil cooler and area between fins and screen with compressed air. If area between screen and fins is tightly packed, remove oil cooler from screen. Removing two retaining screws (Fig. 24). Save all mounting hardware.
3. Clean off engine air intake (Fig. 24).
4. Install oil cooler onto engine with previously removed hardware (Fig. 24).

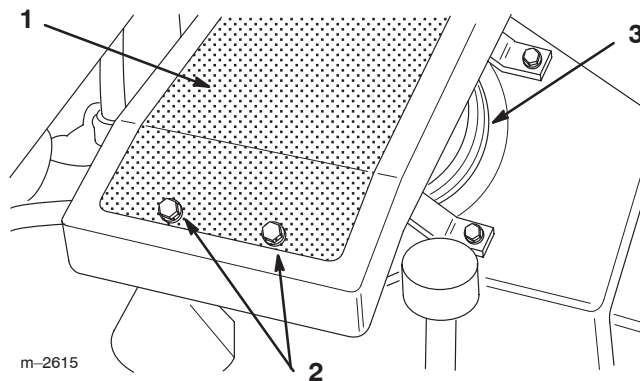


Figure 24

1. Oil cooler screen
2. Oil cooler retaining screw
3. Engine air intake

Checking the Tire Pressure

Maintain the air pressure in the front and rear tires as specified. Uneven tire pressure can cause uneven cut. Check the pressure at the valve stem after every 50 operating hours or monthly, whichever occurs first (Fig. 25). Check the tires when they are cold to get the most accurate pressure reading.

Pressure: 12–14 psi (83–97 kPa) drive wheel.

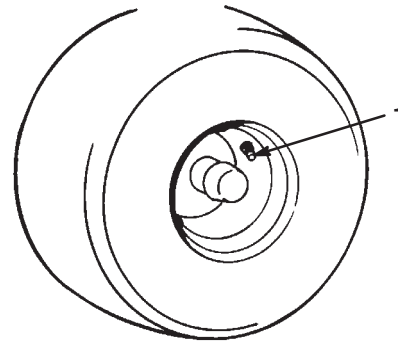


Figure 25

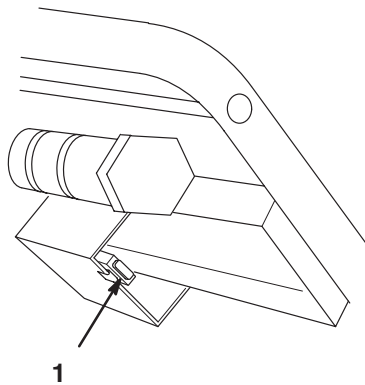
1. Valve stem

Servicing the Fuse

Service Interval/Specification

The electrical system is protected by a fuse. It requires no maintenance, however, if the fuse blows check component/circuit for malfunction or short. To replace fuse pull out on the fuse (Fig. 26) to remove or replace it.

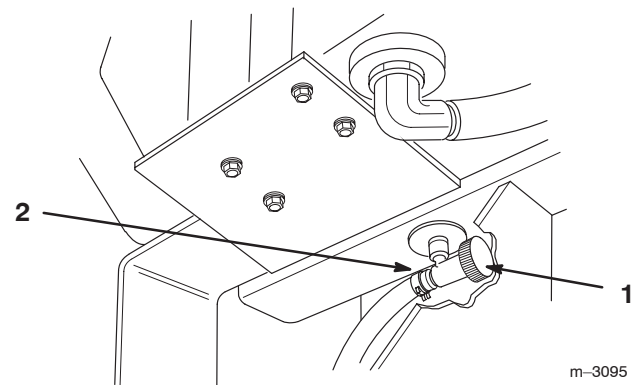
Fuse: 7.5 amp, blade-type



m-3100

Figure 26

1. Fuse 7.5 amp



m-3095

Figure 27

1. Fuel shut-off valve
2. Clamp

Servicing the Fuel Tank

⚠
Danger
⚠

In certain conditions, gasoline is extremely flammable and highly explosive. A fire or explosion from gasoline can burn you and others and can damage property.

- Drain gasoline from the fuel tank when the engine is cold. Do this outdoors in an open area. Wipe up any gasoline that spills.**
- Never smoke when draining gasoline, and stay away from an open flame or where a spark may ignite the gasoline fumes.**

Draining The Fuel Tank

1. Park the machine on a level surface, to assure fuel tank drains completely. Then disengage the power take off (PTO) and turn the ignition key to off. Remove the key.
2. Close fuel shut-off valve at fuel tank (Fig. 27).
3. Squeeze the ends of the hose clamp together and slide it up the fuel line away from valve (Fig. 27).
4. Pull the fuel line off the valve (Fig. 27). Open fuel shut-off valve and allow gasoline to drain into a gas can or drain pan.

Note: Now is the best time to install a new fuel filter because the fuel tank is empty. Refer to Replacing the Fuel Filter; page 25.

5. Install the fuel line onto the valve. Slide the hose clamp close to the valve to secure the fuel line.

Servicing the Fuel Filter

Replace the fuel filter after every 200 operating hours or yearly, whichever occurs first.

Replacing the Fuel Filter

Never install a dirty filter if it is removed from the fuel line.

1. Disengage the power take off (PTO) and turn the ignition key to off. Remove the key.
2. Close fuel shut-off valve at fuel tank (Fig. 27).
3. Squeeze the ends of the hose clamps together and slide them away from the filter (Fig. 28).
4. Remove the filter from the fuel lines.
5. Install a new filter and move the hose clamps close to the filter.
6. Open fuel shut-off valve at fuel tank (Fig. 27).

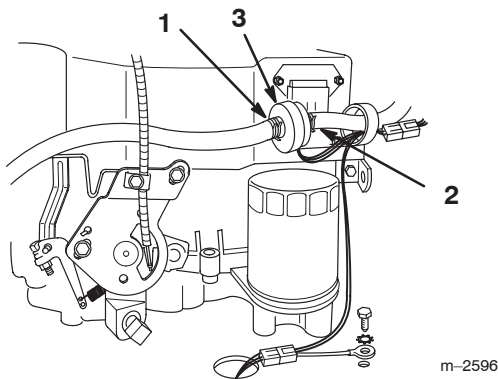


Figure 28

1. Hose clamp
2. Fuel line
3. Filter

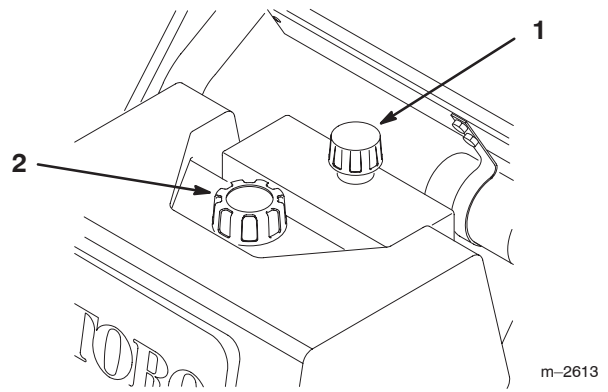


Figure 29

1. Hydraulic tank cap
2. Fuel tank cap\dipstick

Servicing the Hydraulic System

Checking the Hydraulic Fluid

Check the hydraulic fluid level before engine is first started and after every 8 operating hours.

Fluid Type: Mobilube 424 (ISO 68) or equivalent anti-wear hydraulic fluid.

Important Use only hydraulic oils specified. Other fluids could cause system damage.

Tank Capacity: 1-3/4 quarts (1.6 liter)

1. Position machine on a level surface and stop the engine.
2. Clean area around filler neck and cap\dipstick of hydraulic tank (Fig. 29).
3. Remove cap\dipstick from filler neck and wipe with a clean rag. Insert cap\dipstick and seat cap all the way into filler neck; then remove and check fluid level. Fluid level should be in between marks on dipstick.
4. If level is low, add fluid to raise level to full mark.
5. Install cap\dipstick onto filler neck.

Replacing the Hydraulic Filter

Change the hydraulic filter:

- After the first 8 operating hours.
 - After every 200 operating hours.
1. Position machine on a level surface, stop the engine, and remove key from ignition switch.

Important Do not substitute automotive oil filter or severe hydraulic system damage may result.

2. Place drain pan under filter, remove the old filter and wipe the filter adapter gasket surface (Fig. 30).

Note: Make sure fluid is completely drained before installing new filter.

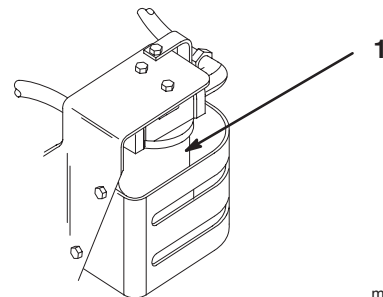
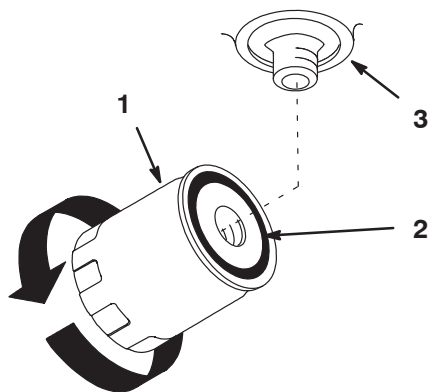


Figure 30

1. Hydraulic filter

3. Apply a thin coat of new oil to the rubber gasket on the replacement filter (Fig. 31).

4. Install replacement hydraulic filter onto the filter adapter. Turn the oil filter clockwise until the rubber gasket contacts the filter adapter, then tighten the filter an additional 1/2 turn (Fig. 31).
5. Start engine and let run for about two minutes to purge air from the system. Stop the engine and check for leaks. If one or both wheels will not drive, refer Bleeding Hydraulic System, page 27.
6. Check fluid level in hydraulic tank and add to raise level to FULL mark on dipstick. **Do Not over fill.**



m-1256

Figure 31

1. Hydraulic filter
2. Gasket
3. Adapter

Bleeding the Hydraulic System

The traction system is self bleeding, however, it may be necessary to bleed the system if fluid is changed or after work is performed on the system.

1. Raise the rear of machine until wheels are off the floor and support with jack stands.
2. Start the engine and run at idle speed. Engage traction on one side and spin the wheel by hand.
3. When the wheel begins to spin on its own, keep it engaged until wheel drives smoothly. (minimum 2 minute)
4. Check hydraulic fluid level as it drops and add as required to maintain level.
5. Repeat procedure on opposite wheel.

Checking the Hydraulic Lines

After every 100 operating hours, check hydraulic lines and hoses for leaks, loose fittings, kinked lines, loose mounting supports, wear, weather and chemical deterioration. Make necessary repairs before operating.



Warning



Hydraulic fluid escaping under pressure can penetrate skin and cause injury.

- **If hydraulic fluid is injected into the skin it must be surgically removed within a few hours by a doctor familiar with this type of injury. Gangrene may result if this is not done.**
- **Keep body and hands away from pin hole leaks or nozzles that eject high pressure hydraulic fluid.**
- **Use cardboard or paper to find hydraulic leaks.**
- **Safely relieve all pressure in the hydraulic system before performing any work on the hydraulic system.**
- **Make sure all hydraulic fluid hoses and lines are in good condition and all hydraulic connections and fittings are tight before applying pressure to hydraulic system.**

Adjusting the By-pass Valve

The by-pass valve is adjustable to ensure easy operation with a variety of deck sizes. If the front of the deck lifts off the ground when the upper control bar is quickly pushed forward or the machine is unable to drive up hills, an adjustment may be needed.

Testing the By-pass Valve

1. Start engine and run for 5 minutes at 3/4 throttle, to warm hydraulic fluid.
2. Drive the machine to a clear and level open area such as a driveway.

Important There should be at least 10 feet of clear area in front of the machine.

3. Loosen the quick release levers and push the reference bar forward to the fast position. Lock the quick release levers to secure the reference bar.
4. Move throttle control to 3/4 throttle.
5. Quickly push the upper control bar against the reference bar. The front caster wheels should almost lift off the ground. If front caster wheels lift the off the ground, the machine is too aggressive and adjustment is required.
6. Move the engine throttle to the fast position.
7. Quickly push the upper control bar against the reference bar. The front caster wheels should lift approximately 1 inch off the ground. If front caster wheels lift the off the ground more than 2 inches, the machine is too aggressive. Adjustment is required.

- If the machine accelerates slowly, and the front caster wheels do not lift off the ground, the machine is too un-responsive. Adjustment is required.

Adjusting the By-pass Valve

The by-pass valve should be adjusted to deliver best performance for the size (weight) mower you have. The by-pass valve factory setting is 1/2 turn out.

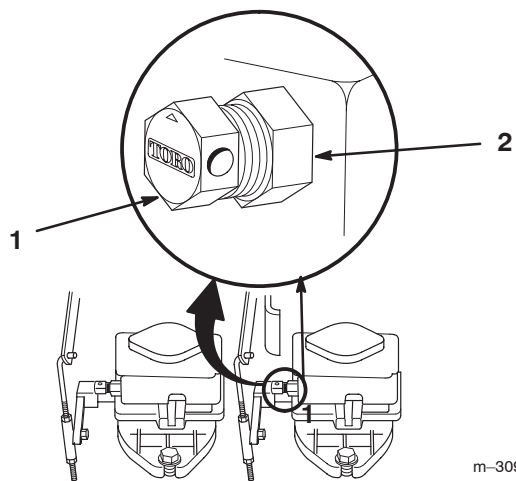
The following values can be used as initial settings for different size mowers:

- 52 inch 1/2 turn out
- 44 inch 1 turn out
- 37 inch 1-1/6 turn out
- 36 inch 1-1/6 turn out

- Loosen large jam nut several turns (Fig. 32).
 - Gently close by-pass valve (Fig. 32).
- Important** Do not over-tighten valve or needle and seat may be damaged. Do not exceed 50 inch pounds to close valve.
- Open by-pass valve 1/2 turn (Fig. 32).
 - Tighten jam nut to lock the adjustment (Fig. 32).
 - Repeat the Test Procedure to check for proper operation.

Important By-pass valve adjustment is very sensitive, do not adjust more than 1/6 turn (one flat) at a time.

- If the machine is too aggressive or tends to jump forward, the valve needs to be opened further.
- If the machine is slow to respond, the valve needs to be closed further.
- Repeat the Test Procedure to check for proper operation. Re-adjust the by-pass valves until proper performance is achieved.




m-3098

Figure 32

- By-pass valve
- Jam nut

Replacing the Traction Belt

Check traction drive belt for wear after every 50 hours of operation.

- Raise the front of the machine and hold with jack stands.
- Disconnect in-line wire connector from wire harness to electric clutch.
- Remove mower drive belt; refer to mower Operator's Manual.
- Remove left front engine mounting bolt securing clutch retainer to frame (Fig. 33). Unhook retainer from clutch and remove retainer.
- Move idler pulley and remove traction belt from the drive pulleys and clutch.
- Install new belt around clutch and drive pulleys.
- Hook clutch retainer into clutch and secure to frame with engine mounting bolt. Torque engine mounting bolt to 170-220 in-lb (19-24 N .
- Connect clutch in-line wire connector to wire harness.

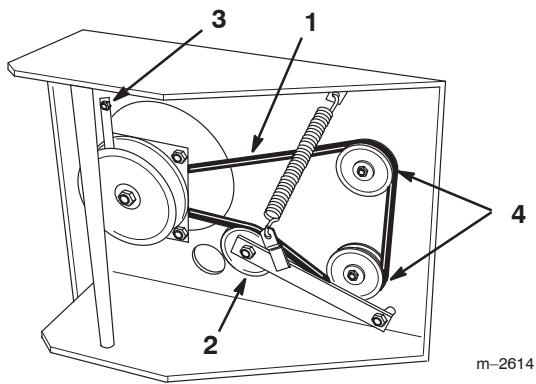


Figure 33

- | | |
|------------------|--------------------|
| 1. Traction belt | 3. Clutch retainer |
| 2. Idler pulley | 4. Drive pulley |

Adjusting the Electric Clutch

The clutch is adjustable to ensure proper engagement and proper braking. Check adjustment after every 100 hours of operation.

1. To adjust clutch, tighten or loosen lock nuts on flange studs (Fig. 34).
2. Check adjustment by inserting feeler gauge through slots next to studs (Fig. 34).
3. The proper disengaged clearance between the clutch plates is 0.012–0.024 inch (0.30-0.60 mm). It will be necessary to check this clearance at each of the three slots to ensure the plates are parallel to each other.

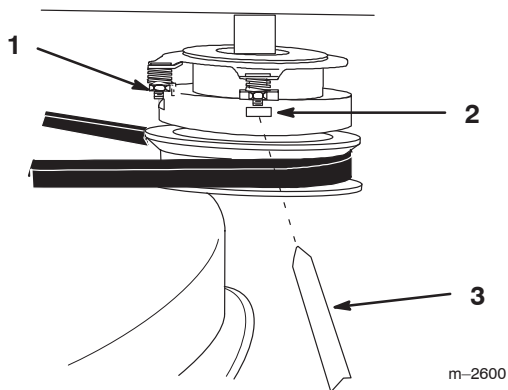


Figure 34

- | | |
|------------------|-----------------|
| 1. Adjusting nut | 3. Feeler gauge |
| 2. Slot | |

Adjusting the Machine Neutral

If wheels turn when control bar is in neutral, adjustment is required

1. Raise rear of the machine so wheels are off the ground and support with jack stands.

⚠
Caution
⚠

Children or bystanders may be injured if they move or attempt to operate the machine while it is unattended.

Always remove the ignition key and chock or block tires when leaving the machine unattended, even if just for a few minutes.

2. Start engine and run for 5 minutes at 3/4 throttle, to warm hydraulic fluid.
3. Move control bar rearward and forward then release. If wheels rotate when control bar is in neutral, adjustment is required.
4. Loosen top and bottom jam nuts at pump arm neutral adjustment sleeve (Fig. 35).
5. Push down on Pump Arm until Sleeve contacts bottom nut (Fig. 35). Wheel should now be rotating slowly in reverse.
6. Turn bottom nut up slowly, moving sleeve and pump arm up, until wheel stops rotating (Fig. 35).
7. Turn top nut down against sleeve and tighten to lock the adjustment (Fig. 35).
8. Repeat step 3 above to check adjustment. Repeat adjustment procedure if necessary.
9. Repeat on other wheel, if necessary.

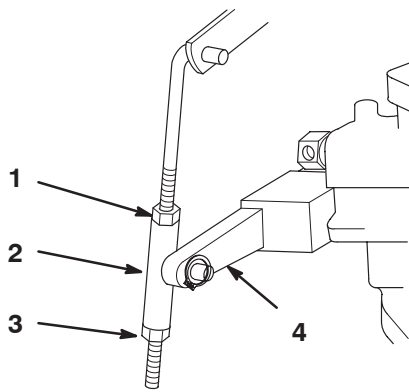


Figure 35

- 1. Top jam nut
- 2. Sleeve
- 3. Bottom jam nut
- 4. Pump arm

m-3071

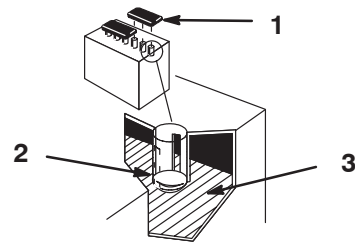


Figure 36

- 1. Filler caps
- 2. Lower part of tube
- 3. Plates

m-1262

Servicing the Battery

! **Warning** !

CALIFORNIA
Proposition 65 Warning

Battery posts, terminals, and related accessories contain lead and lead compounds, chemicals known to the State of California to cause cancer and reproductive harm. Wash hands after handling.

Check the electrolyte level in the battery before each use. Always keep the battery clean and fully charged. Use a paper towel to clean the battery case. If the battery terminals are corroded, clean them with a solution of four parts water and one part baking soda. Apply a light coating of grease to the battery terminals to prevent corrosion.

Voltage: 12 v, 280 Cold Cranking Amps

Checking the Electrolyte Level

1. Open covers to see into the cells. The electrolyte must be up to the lower part of the tube (Fig. 36). Do not allow the electrolyte to get below the plates. (Fig. 36).
2. If the electrolyte is low, add the required amount of distilled water; refer to Adding Water to the Battery, page 30.

Adding Water to the Battery

The best time to add distilled water to the battery is just before you operate the machine. This lets the water mix thoroughly with the electrolyte solution.

1. Clean the top of the battery with a paper towel.
2. Lift off the filler caps (Fig. 36).
3. Slowly pour distilled water into each battery cell until the level is up to the lower part of the tube (Fig. 36).

Important Do not overfill the battery because electrolyte (sulfuric acid) can cause severe corrosion and damage to the chassis.

4. Press the filler caps onto the battery.

Charging the Battery

! **Warning** !

Charging the battery produces gasses that can explode.

Never smoke near the battery and keep sparks and flames away from battery.

Important Always keep the battery fully charged (1.260 specific gravity). This is especially important to prevent battery damage when the temperature is below 32°F (0°C).

5. Check the electrolyte level; refer to Checking Electrolyte Level, page 30.

- Remove the filler caps from the battery and connect a 3 to 4 amp battery charger to the battery posts. Charge the battery at a rate of 4 amperes or less for 4 hours (12 volts). Do not overcharge the battery. Install the filler caps after the battery is fully charged.

Removing the Battery

Warning

Battery terminals or metal tools could short against metal tractor components causing sparks. Sparks can cause the battery gasses to explode, resulting in personal injury.

- When removing or installing the battery, do not allow the battery terminals to touch any metal parts of the tractor.
- Do not allow metal tools to short between the battery terminals and metal parts of the tractor.

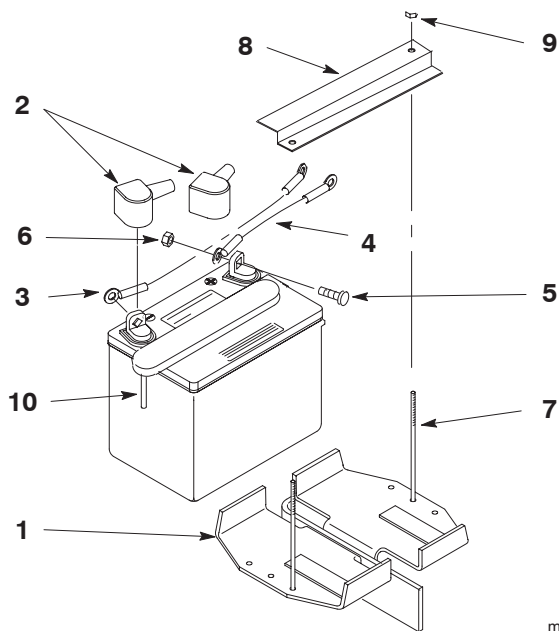
Warning

Incorrect battery cable routing could damage the tractor and cables causing sparks. Sparks can cause the battery gasses to explode, resulting in personal injury.

- Always *Disconnect* the negative (black) battery cable before disconnecting the positive (red) cable.
- Always *Reconnect* the positive (red) battery cable before reconnecting the negative (black) cable.

- Disengage the power take off (PTO), chock or block tires, and turn the ignition key to off. Remove the key.
- With the engine off, locate the battery.

- Lift the black rubber cover up on the negative cable. Disconnect the negative (black) ground cable from the battery post (Fig. 37).
- Lift the red rubber cover up on the positive cable. Disconnect the positive cable (red cover) from the battery post (Fig. 37).
- Remove the battery hold down plate (Fig. 37). Remove battery from the machine.



m-2636

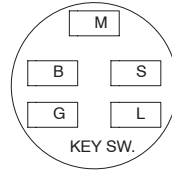
Figure 37

- | | |
|----------------------------------|------------------------|
| 1. Battery holder | 6. Nut, 1/4 inch |
| 2. Terminal boot | 7. Battery support rod |
| 3. Positive battery cable | 8. Battery clamp |
| 4. Negative battery cable | 9. Locknut, 1/4 inch |
| 5. Carriage bolt, 1/4 x 3/4 inch | 10. Vent tube |

Wiring Diagram

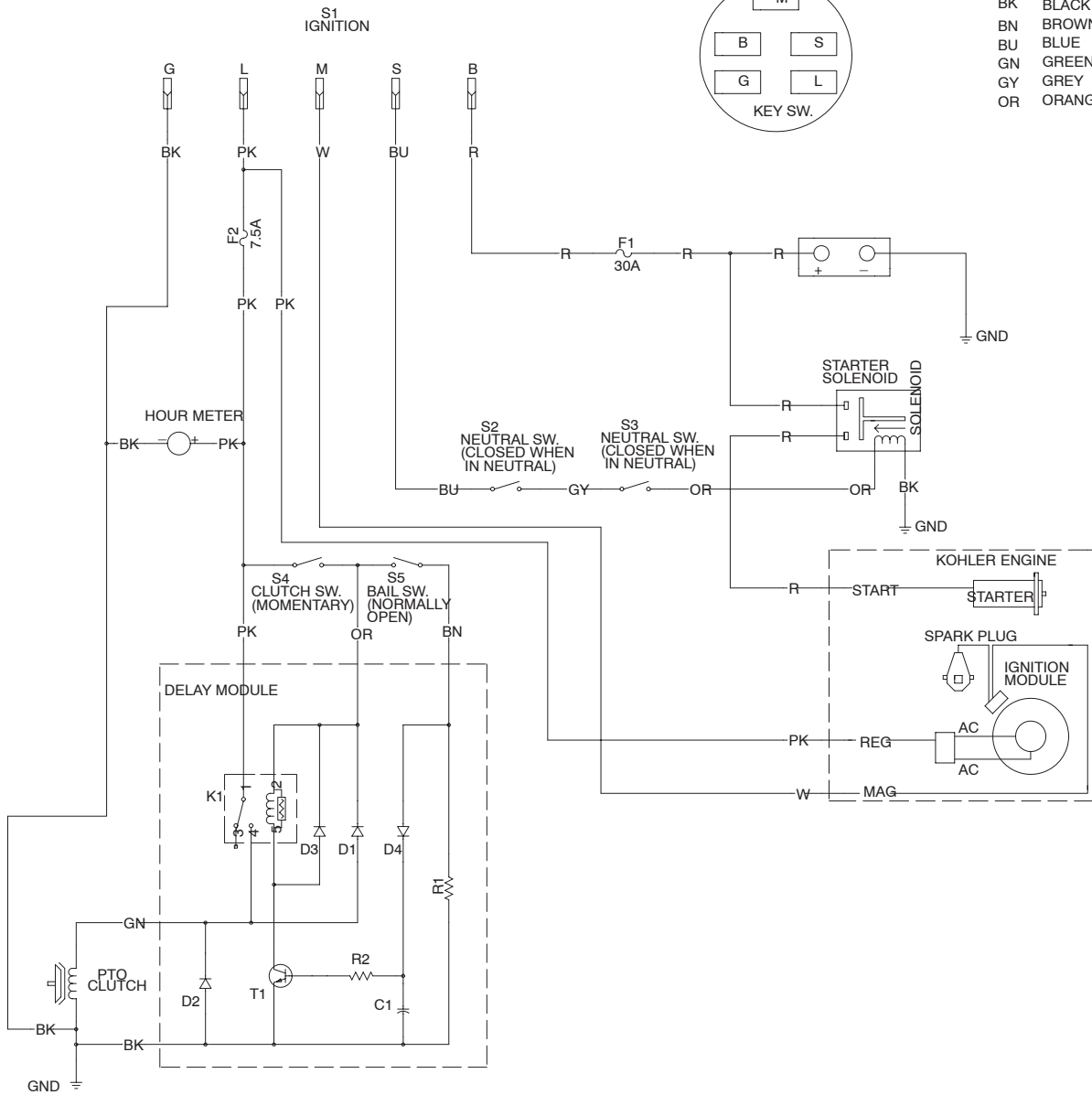
KEY SWITCH P/N 23-0660

OFF	G+M
ON	B+L
START	B+S

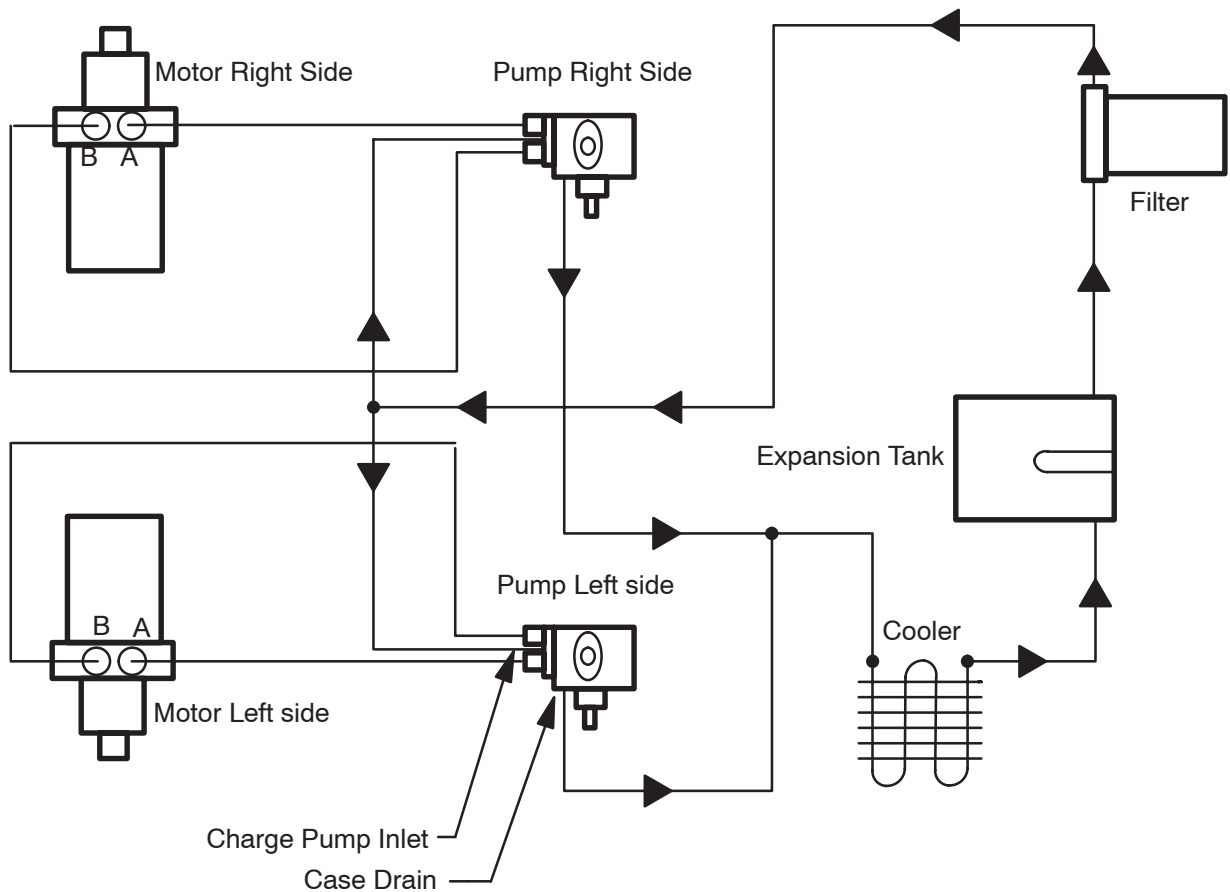


WIRE COLOR CODES

BK	BLACK	PK	PINK
BN	BROWN	R	RED
BU	BLUE	T	TAN
GN	GREEN	VIO	VIOLET
GY	GREY	W	WHITE
OR	ORANGE	Y	YELLOW



Hydraulic Diagram



Cleaning and Storage

1. Disengage the power take off (PTO) and turn the ignition key to off. Remove the key.
2. Remove grass clippings, dirt, and grime from the external parts of the entire machine, especially the engine. Clean dirt and chaff from the outside of the engine's cylinder head fins and blower housing.

Important You can wash the machine with mild detergent and water. Do not pressure wash the machine. Avoid excessive use of water, especially near the control panel, engine, hydraulic pumps and motors.

3. Service the air cleaner; refer to Servicing the Air Cleaner, page 21.

4. Change the crankcase oil; refer to Servicing the Engine Oil, page 22.
5. Change the hydraulic fluid; refer to Servicing the Hydraulic System, page 26.
6. Remove the spark plug(s) and check its condition; refer to Spark Plug, page 23. With the spark plug(s) removed from the engine, pour two tablespoons of engine oil into the spark plug hole. Now use the starter to crank the engine and distribute the oil inside the cylinder. Install the spark plug(s). Do not install the wire on the spark plug(s).
7. Check the tire pressure; refer to Servicing the Tire Pressure, page 24.
8. For storage over 30 days, prepare the traction unit as follows.

9. Add a petroleum based stabilizer/conditioner to fuel in the tank. Follow mixing instructions from stabilizer manufacturer. **Do not use an alcohol based stabilizer (ethanol or methanol).**

Note: A fuel stabilizer/conditioner is most effective when mixed with fresh gasoline and used at all times.

10. Run the engine to distribute conditioned fuel through the fuel system (5 minutes).
11. Stop the engine, allow it to cool and drain the fuel tank; refer to Draining the Fuel Tank, page 25.
12. Restart the engine and run it until it stops.
13. Choke or prime the engine.
14. Start and run the engine until it will not start again. Use the primer, if equipped on machine, several times to ensure no fuel remains in primer system.

15. Dispose of fuel properly. Recycle as per local codes.

Important Do not store stabilizer/conditioned gasoline over 90 days.

16. Check and tighten all bolts, nuts, and screws. Repair or replace any part that is damaged or defective.
17. Paint all scratched or bare metal surfaces. Paint is available from your Authorized Service Dealer.
18. Store the machine in a clean, dry garage or storage area. Remove the key from the ignition switch and keep it in a memorable place. Cover the machine to protect it and keep it clean.

Troubleshooting

PROBLEM	POSSIBLE CAUSES	CORRECTIVE ACTION
Engine will not start, starts hard, or fails to keep running.	<ol style="list-style-type: none"> 1. Fuel tank is empty. 2. Choke is not ON. 3. Air cleaner is dirty. 4. Spark plug wire is loose or disconnected. 5. Spark plug is pitted, fouled, or gap is incorrect. 6. Dirt in fuel filter. 7. Dirt, water, or stale fuel is in fuel system. 8. Battery is dead. 	<ol style="list-style-type: none"> 1. Fill fuel tank with gasoline. 2. Move choke lever to ON. 3. Clean or replace air cleaner element. 4. Install wire on spark plug. 5. Install new, correctly gapped spark plug. 6. Replace fuel filter. 7. Contact Authorized Service Dealer. 8. Charge battery.
Engine loses power.	<ol style="list-style-type: none"> 1. Engine load is excessive. 2. Air cleaner is dirty. 3. Oil level in crankcase is low. 4. Cooling fins and air passages under engine blower housing are plugged. 5. Spark plug is pitted, fouled, or gap is incorrect. 6. Vent hole in fuel cap is plugged. 7. Dirt in fuel filter. 8. Dirt, water, or stale fuel is in fuel system. 	<ol style="list-style-type: none"> 1. Reduce ground speed. 2. Clean air cleaner element. 3. Add oil to crankcase. 4. Remove obstruction from cooling fins and air passages. 5. Install new, correctly gapped spark plug. 6. Clean or replace the fuel cap. 7. Replace fuel filter. 8. Contact Authorized Service Dealer.

PROBLEM	POSSIBLE CAUSES	CORRECTIVE ACTION
Engine overheats.	<ol style="list-style-type: none"> 1. Engine load is excessive. 2. Oil level in crankcase is low. 3. Cooling fins and air passages under engine blower housing are plugged. 	<ol style="list-style-type: none"> 1. Reduce ground speed. 2. Add oil to crankcase. 3. Remove obstruction from cooling fins and air passages.
Abnormal vibration.	<ol style="list-style-type: none"> 1. Engine mounting bolts are loose. 2. Loose engine pulley, idler pulley, or blade pulley. 3. Engine pulley is damaged. 	<ol style="list-style-type: none"> 1. Tighten engine mounting bolts. 2. Tighten the appropriate pulley. 3. Contact Authorized Service Dealer.
Machine does not drive.	<ol style="list-style-type: none"> 1. Hydrostatic fluid level low. 2. Traction belt is worn, loose or broken. 3. Traction belt is off pulley. 	<ol style="list-style-type: none"> 1. Fill hydrostatic fluid tank. 2. Change Belt. 3. Change Belt.
Machine does not drive up hills or inclines.	<ol style="list-style-type: none"> 1. By-pass valve is adjusted too far open. 	<ol style="list-style-type: none"> 1. Adjust by-pass valve
Machine moves slowly in neutral.	<ol style="list-style-type: none"> 1. Neutral is mis-adjusted. 2. Return spring is broken or missing. 3. Linkage is dirty or bent. 	<ol style="list-style-type: none"> 1. Adjust hydro pump neutral. 2. Replace return spring. 3. Clean and lubricate linkage. Replace bent or worn parts.
Machine drive is too aggressive. Mower lifts when drive is engaged.	<ol style="list-style-type: none"> 1. By-pass valve is adjusted too far closed. 	<ol style="list-style-type: none"> 1. Adjust by-pass valve



Landscape Contractor
Equipment (LCE)

The Toro Total Coverage Guarantee

A Limited Warranty

Conditions and Products Covered

The Toro Company and its affiliate, Toro Warranty Company, pursuant to an agreement between them, jointly promise to repair the listed Toro product if defective in materials or workmanship.

This warranty applies to:

- ProLine Mid-Size Walk Power Mowers and Accessories
- Z Master Mid-Mount ZRTs and Accessories

The following time periods apply from the date of purchase:

<u>Components</u>	<u>Warranty Period</u>
• Engines*	2 years
• Hydraulic Systems	2 years
• Traction Unit Frame	2 years
• Carrier Frame	2 years
• Deck Shells	2 years
• Deck Spindles	3 years Parts, 2 years Labor
• Z500 Series Clutches	2 years
• Remaining Components	1 year

This warranty includes the cost of parts and labor, but you must pay transportation costs.

* Some engines used on Toro LCE products are warranted by the engine manufacturer.

Instructions for Obtaining Warranty Service

If you think that your Toro LCE product contains a defect in materials or workmanship, follow this procedure:

1. Contact any Toro Authorized or Master Service Dealer to arrange service at their dealership. To locate a dealer convenient to you, access our website at www.Toro.com. You may also call our Toro Customer Care Department toll free at 888-865-5676 (U.S. customers) or 888-865-5691 (Canada customers).
2. Bring the product and your proof of purchase (sales receipt) to the Service Dealer.

If for any reason you are dissatisfied with the Service Dealer's analysis or with the assistance provided, call us toll free at the numbers above or write us at:

LCE Customer Care Department
8111 Lyndale Avenue South
Bloomington, MN 55420-1196

Countries Other than the United States or Canada

Customers who have purchased Toro products exported from the United States or Canada should contact their Toro Distributor (Dealer) to obtain guarantee policies for your country, province, or state. If for any reason you are dissatisfied with your Distributor's service or have difficulty obtaining guarantee information, contact the Toro importer. If all other remedies fail, you may contact us at Toro Warranty Company.

Owner Responsibilities

You must maintain your Toro product by following the maintenance procedures described in the *Operator's Manual*. Such routine maintenance, whether performed by a dealer or by you, is at your expense.

Items and Conditions Not Covered

There is no other express warranty except for special emission system coverage on some products. This express warranty does not cover the following:

- Cost of regular maintenance service or parts, such as filters, fuel, lubricants, tune-up parts, blade sharpening, brake and clutch adjustments.
- Any product or part which has been altered or misused or required replacement or repair due to normal wear, accidents, or lack of proper maintenance.
- Repairs necessary due to improper fuel, contaminants in the fuel system, or failure to properly prepare the fuel system prior to any period of non-use over three months.
- Pickup and delivery charges.
- Operational misuse, neglect, or accidents.
- Repairs or attempted repairs by anyone other than an Authorized Toro Service Dealer using Toro approved parts.

General Conditions

All repairs covered by this warranty must be performed by an Authorized Toro Service Dealer using Toro approved replacement parts.

Repair by an Authorized Toro Service Dealer is your sole remedy under this warranty.

Neither The Toro Company nor Toro Warranty Company is liable for indirect, incidental or consequential damages in connection with the use of the Toro products covered by this warranty, including any cost or expense of providing substitute equipment or service during reasonable periods of malfunction or non-use pending completion of repairs under this warranty.

Some states do not allow exclusions of incidental or consequential damages, or limitations on how long an implied warranty lasts, so the above exclusions and limitations may not apply to you.

All implied warranties of merchantability (that the product is fit for ordinary use) and fitness for use (that the product is fit for a particular purpose) are limited to the duration of the express warranty.

This warranty gives you specific legal rights, and you may also have other rights which vary from state to state.