



# 48in and 52in Finishing Kit Z400 and Z500 Twin Soft Bagger

Model No. 78511

Model No. 78512

Form No. 3352-708

## Addendum

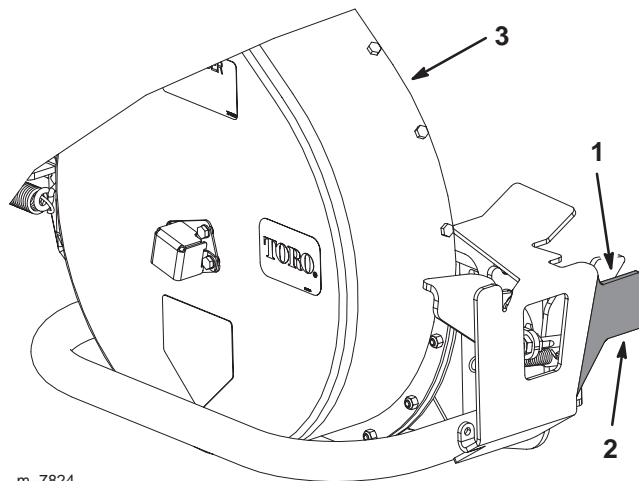
**Important** Use the following instructions for twin soft bagger, model 78507 with serial numbers 240999999 and lower. The blower assembly will have a front latch guard as shown in Figure 1.

**Note:** Some bagger housings may already have the front latch guard trimmed.

## Trimming the Front Latch Guard

This will eliminate interference with the front caster wheel.

1. Remove the front latch guard from the front of the blower housing as shown in Figure 1.
2. Put the mower deck in the lowest height-of-cut position and verify if the latch guard hits the front castor wheel. If it hits the caster wheel, remove more of the latch guard.



**Figure 1**

1. Front latch guard
2. Remove the shaded area
3. Blower assembly