



Wheel Scraper Kit

Pro Sweep 5200

Part No. 107-1370

Form No. 3352-715

Installation Instructions

1. Loosely secure each scraper to the sweeper frame, positioning as shown in figure 1.
2. Adjust the scraper so it is positioned approximately 1/8" from the tire and tighten the fasteners.

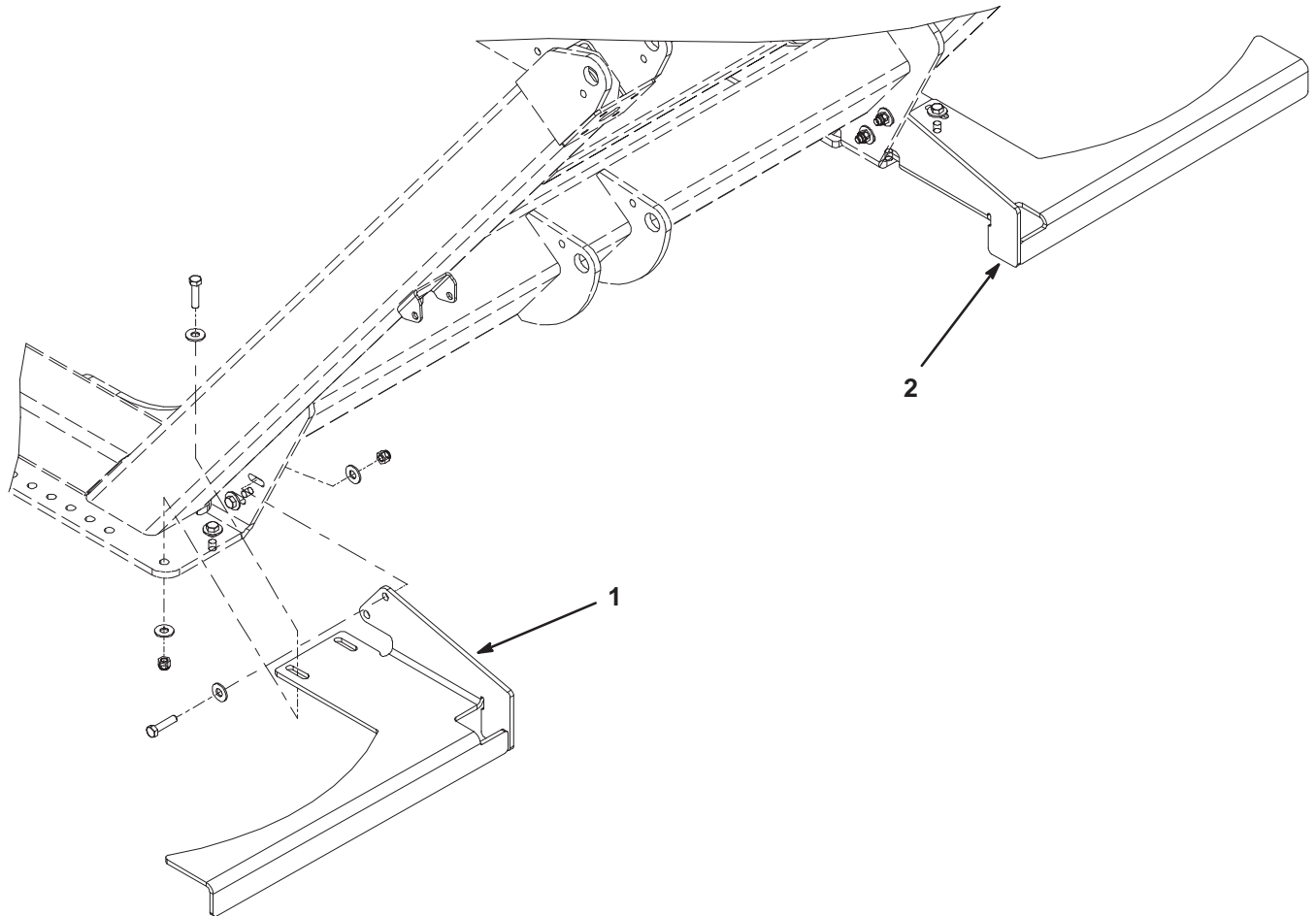


Figure 1

1. Scraper – L.H.

2. Scraper – R.H.