



Super Recycler[®] Lawn Mower

Model No. 20055 - 250000001 and up.

Parts Catalog

Ordering Replacement Parts

To order replacement parts, please supply the part number, the quantity, and the description of each part desired.

Understanding Reference Numbers

Each identified part in an illustration has a reference number. The reference number for a part also appears in the parts list, along with other information about the part.

This catalog uses two special reference number formats, one to indicate parts in a service assembly and another to indicate the quantity of a given part in an illustration.

Service Assembly Reference Numbers

Parts in service assemblies have reference numbers in the form a:b. The a represents the reference number of the entire service assembly and the b represents a sequential number unique to each part within the service assembly.

For example, a wheel assembly might be identified by reference number 6, the tire by 6:1, the valve by 6:2, and the wheel by 6:3. When you order the assembly identified by reference number 6, you receive all parts identified by reference numbers 6:1, 6:2, and 6:3. However, you may also order any part individually. Reference numbers of this type appear in illustrations and in part lists.

Reference Numbers Indicating Quantity

In an illustration, if a reference number indicates more than one part, the reference number has the form nX y. The n represents the quantity of the part, the X is the multiplication symbol, and the y represents the reference number.

For example, in an illustration, the reference number 2X 37 means that two of the parts identified by reference number 37 are indicated.

Contents

Description	Page	Description	Page
Housing Assembly 3	Carburetor Assembly Briggs and Stratton	
Housing Assembly No. 108-4750 4	125K02-0189-E1 14
Height-Of-Cut Assembly 5	Air Cleaner Assembly Briggs and Stratton	
Transmission Assembly 6	125K02-0189-E1 15
Gearcase Assembly No. 104-7676 7	Governor Assembly Briggs and Stratton	
Engine Assembly 8	125K02-0189-E1 16
Handle Assembly 9	Muffler and Fuel Tank Assembly Briggs and	
Grass Bag Assembly 10	Stratton 125K02-0189-E1 17
Cylinder Assembly Briggs and Stratton		Blower Housing Assembly Briggs and Stratton	
125K02-0189-E1 11	125K02-0189-E1 18
Crankshaft Assembly Briggs and Stratton		Starter Assembly Briggs and Stratton 125K02-	
125K02-0189-E1 12	0189-E1 19
Crankcase Assembly Briggs and Stratton		Engine Gasket Set Assembly Briggs and	
125K02-0189-E1 13	Stratton 125K02-0189-E1 20
		Carburetor Overhaul Kit and Gasket Set	
		Assemblies Briggs and Stratton 125K02-0189-	
		E1 21
		Attachments and Accessories List 22

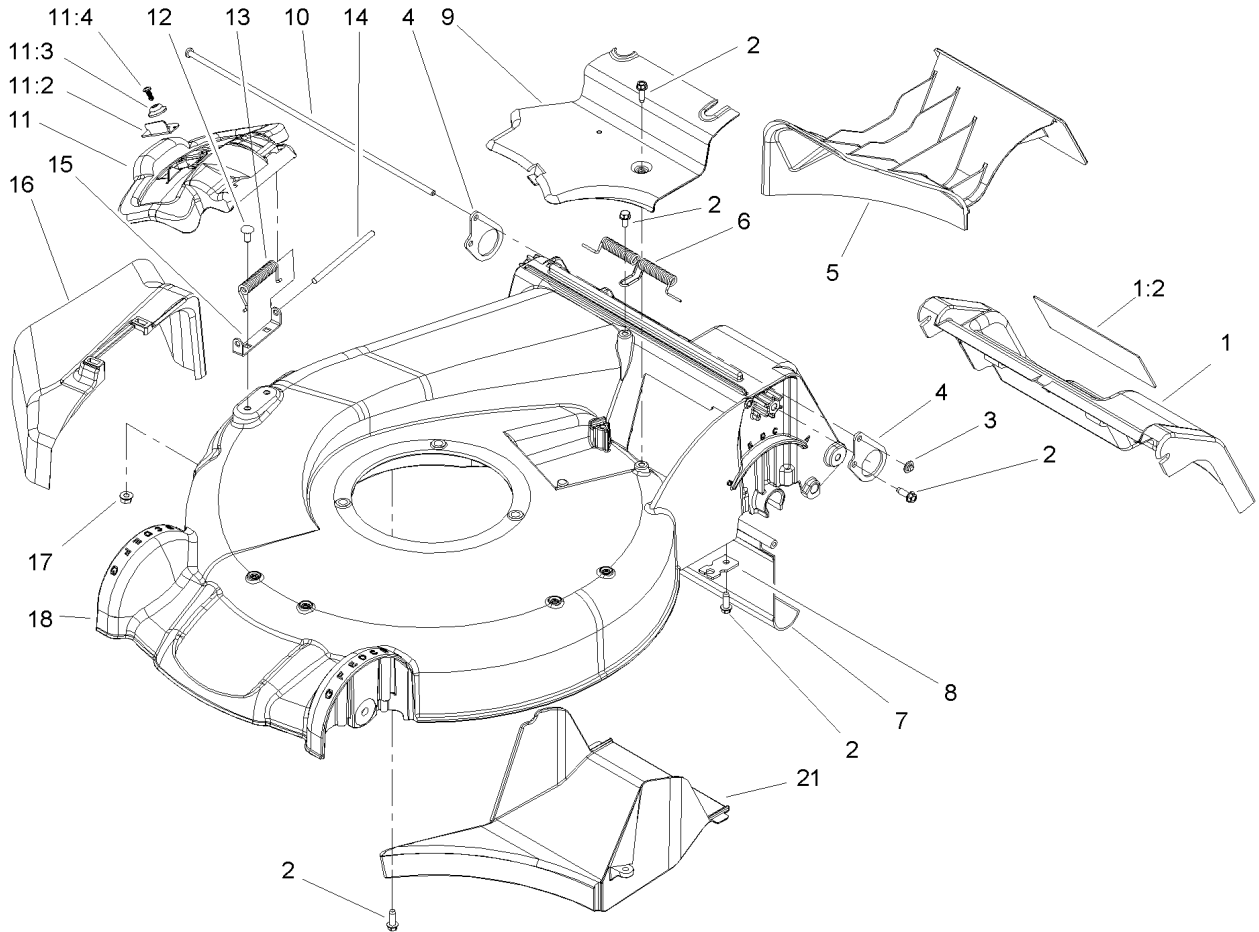
Part Description Abbreviations

Part descriptions in this catalog may include the following abbreviations.

AR. as required	HWHTF. hex washer head thread forming
ASM. assembly	HYD. hydraulic
BBC. Blade Brake Clutch	INC. incorporated
CARR. carriage	LH. left hand
DEG. degrees	NI. nylon insert
EXT. external	NPTF. national pipe thread fine
FH. flat head	PPH. phillips pan head
GA. gauge	PPHTF. phillips pan head thread forming
HF. hex flange	PRH. phillips round head
HH. hex head	PTH. phillips truss head
HHF. hex head flange	PTO. power take off
HHFTF. hex head flange thread forming	RH. right hand
HJ. hex jam	ROPS. roll over protection system
HLH. hex lag head	SFH. slotted fillister head
HOC. height-of-cut	SHH. slotted hex head
HSBH. hex socket button head	SHWH. slotted hex washer head
HSFH. hex socket flat head	SPH. slotted pan head
HSH. hex socket head	SQH. square head
HWH. hex washer head	

Footnotes

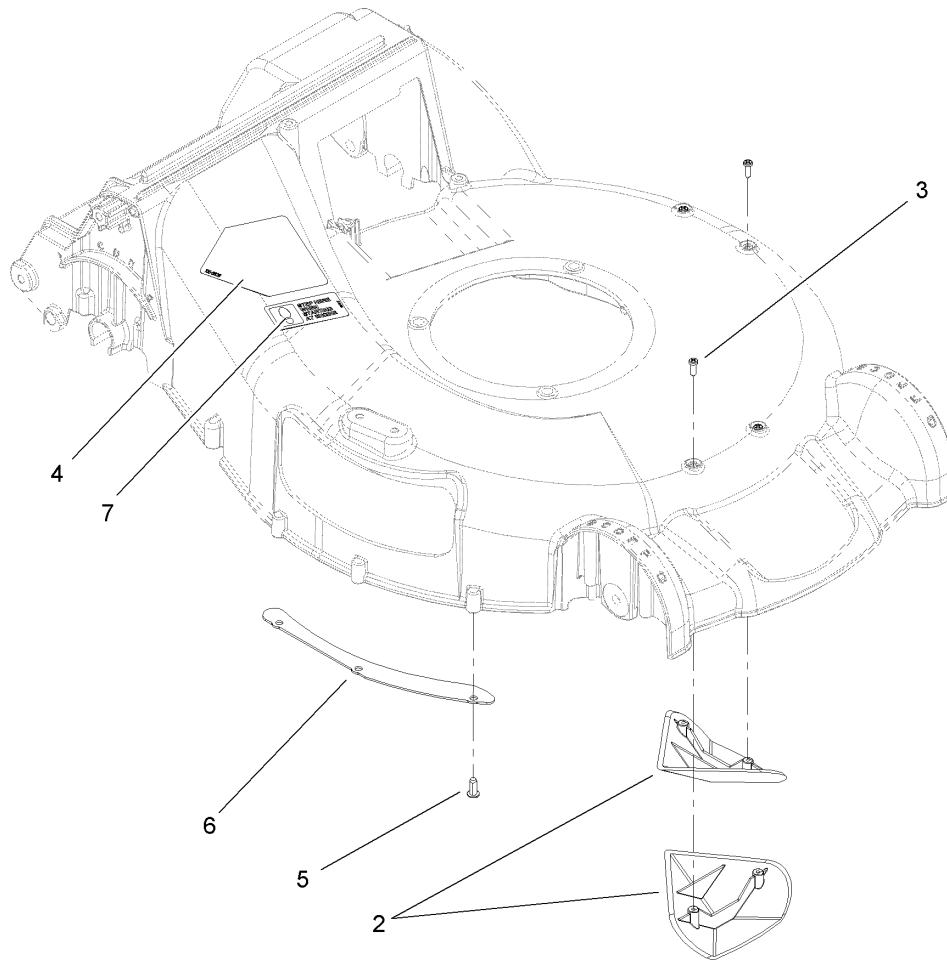
- ❶ Optional Equipment
- ❷ Obtain parts from your local Briggs & Stratton dealer
- ❸ For use only on Models with BBC



Housing Assembly

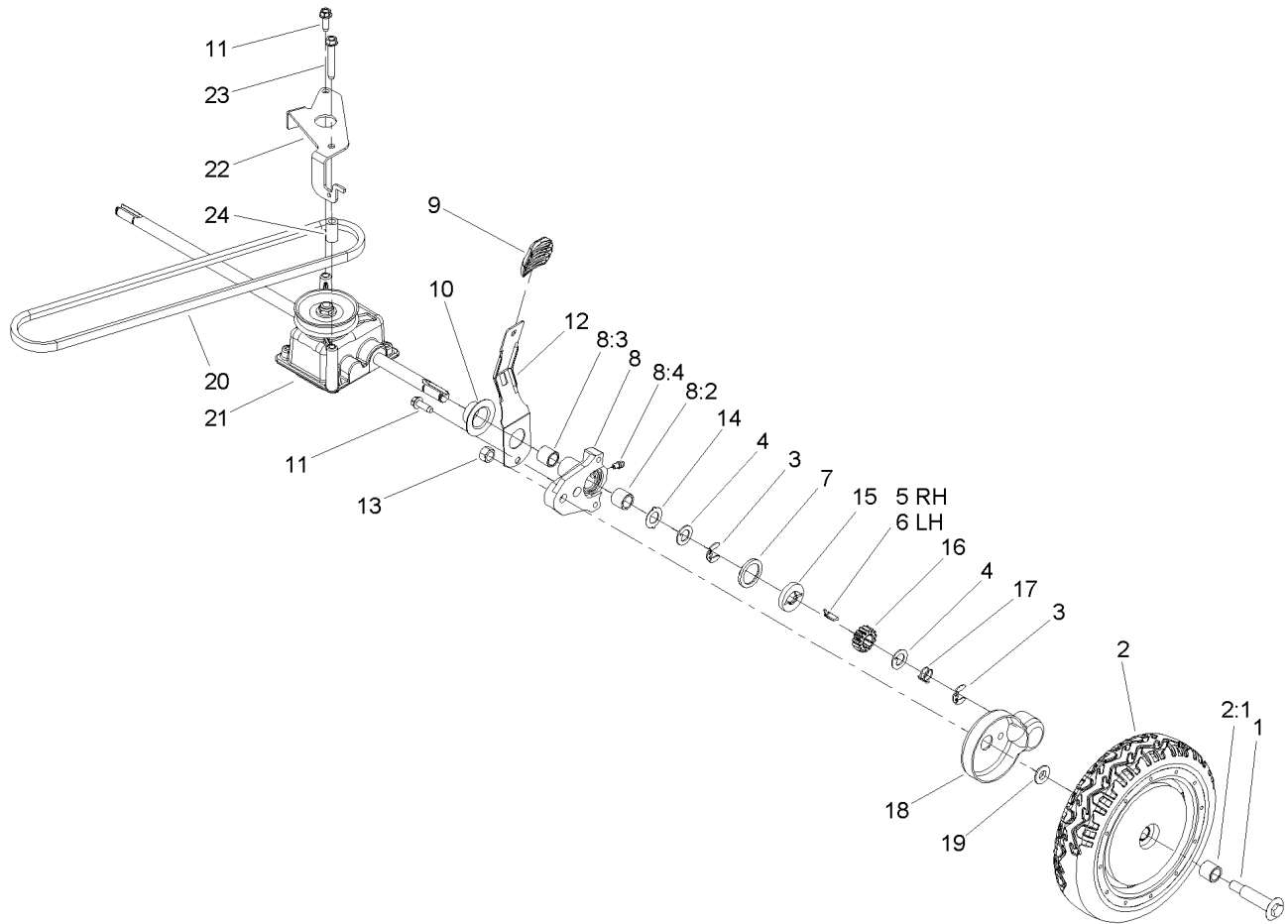
Ref	Part No.	Qty.	Description
1	105-1323	1	Rear Door ASM
1:2	105-1295	1	Decal-Warning
2	49-2040	7	Screw-TAP
3	3290-337	1	Nut-Speed
4	107-7493	2	Plate-Support, Door
5	107-7490	1	Plug-Mulch
6	105-3032	1	Spring-Door, Rear
7	107-7496	1	Shield-Trailing
8	107-7497	1	Bracket-Cable, Traction
9	107-7494	1	Cover-Belt
10	107-7499	1	Rod-Support, Door
11	107-3717	1	Discharge Door ASM
11:2	107-0795	1	Latch-Door
11:3	107-7456	1	Cap-Door
11:4	107-7461	1	Screw-Plastite
12	3229-11	2	Screw-CARR
13	99-5293	1	Spring-Torsion
14	99-5291	1	Rod-Cover
15	99-5292	1	Bracket-Cover
16	108-3753	1	Chute-Discharge, Side
17	32128-32	2	Nut-HHF
18	108-4750	1	Housing ASM
21	107-7495	1	Tunnel-Discharge

--	--	--	--



Housing Assembly No. 108-4750

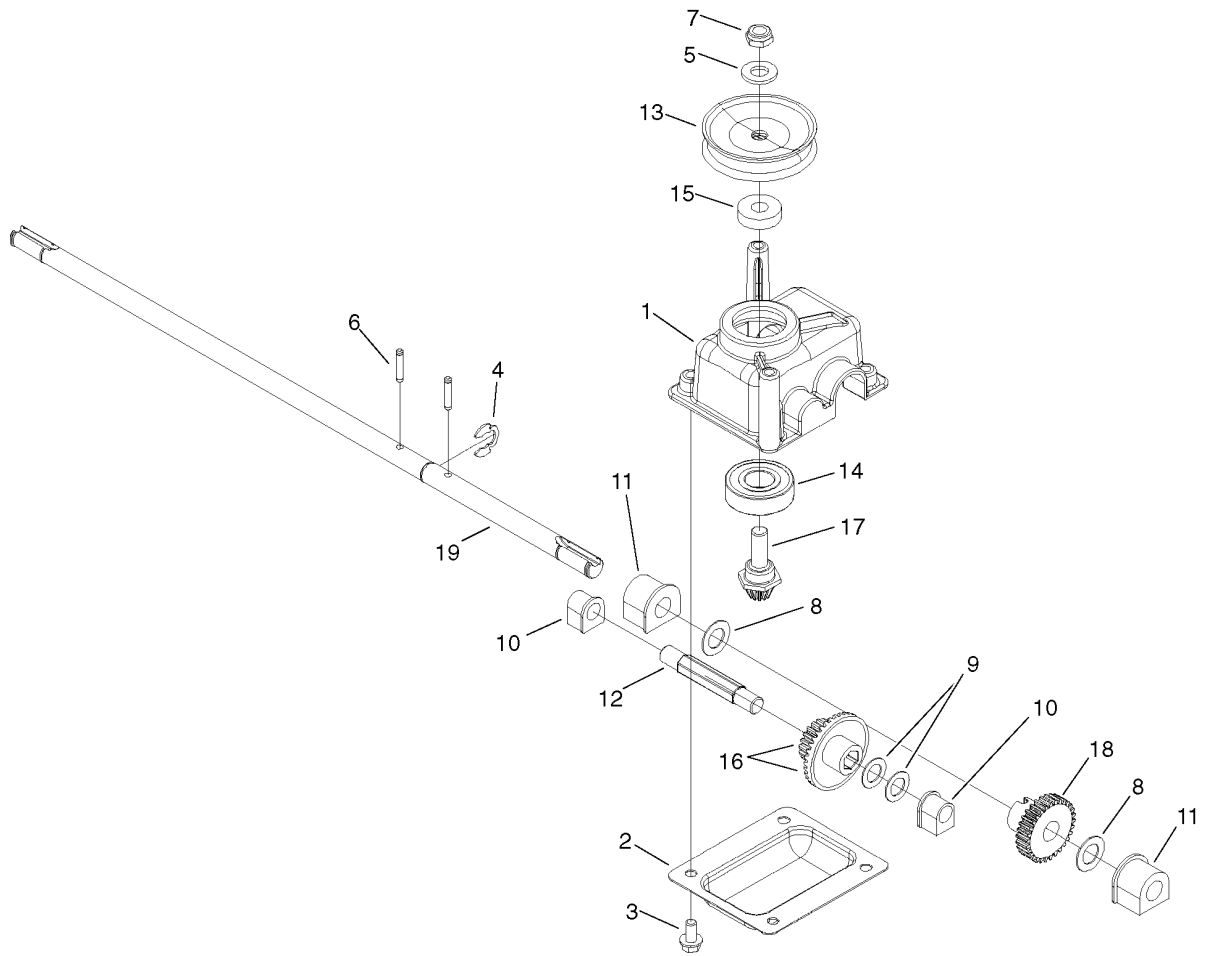
Ref	Part No.	Qty.	Description
2	108-3798	2	Kicker-Housing
3	32144-111	4	Screw-PPH
4	105-6838	1	Decal-Danger
5	63-8590	3	Screw
6	105-1316-03	1	Sheet-Lip
7	108-8117	1	Decal-Foot Placement



Transmission Assembly

Ref	Part No.	Qty.	Description
1	92-1057	2	Bolt-Shoulder
2	107-3709	2	Wheel Gear ASM
2:1	27-6250	2	Bushing
3	65-2720	4	Klipring-Locking
4	65-4740	4	Washer-Thrust, Keyed
5	66-6040	1	Key-Rocking, RH
6	66-6050	1	Key-Rocking, LH
7	65-4710	2	Ring-Friction
8	100-8774	2	Pivot Arm ASM
8:2	47-2900	1	Bushing
8:3	70-9760	1	Bushing
8:4	302-56	1	Fitting-Grease
9	105-3042	2	Knob-Lever, HOC
10	42-3520	2	Cap-End
11	49-2040	3	Screw-TAP
12	107-7491	2	Spring Arm
13	603773	2	Nut
14	65-4730	2	Washer-Arm, Pivot
15	65-4760	2	Washer-Clutch
16	65-4750	2	Gear-Pinion
17	65-4720	2	Spring-Compression
18	74-1660	2	Cover-Wheel
19	74-1671	2	Spacer-Cover, Wheel
20	99-1597	1	V-Belt

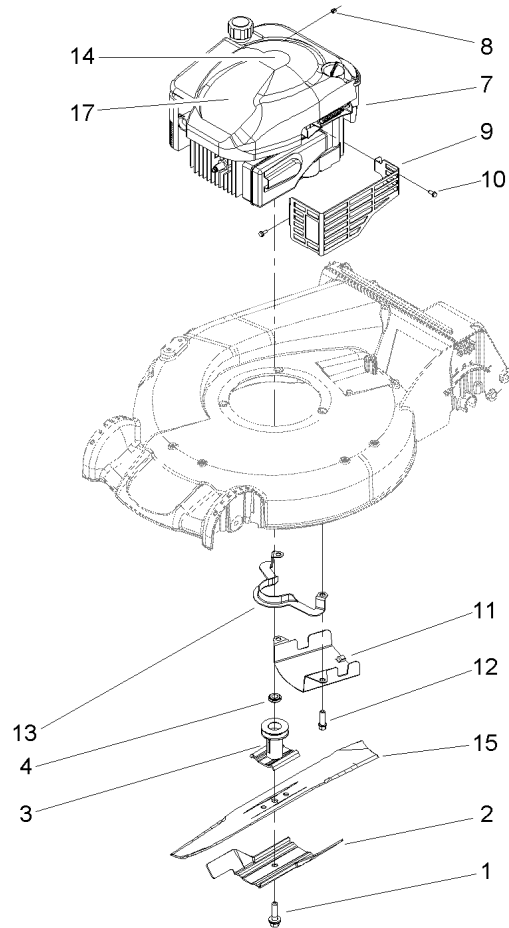
Ref	Part No.	Qty.	Description
21	104-7676	1	Gear Case ASM
22	107-7483-03	1	Bracket-Gearbox
23	92-1616	1	Screw-HWH, TAP
24	614673	1	Bushing-Plate, Actuator



Gearcase Assembly No. 104-7676

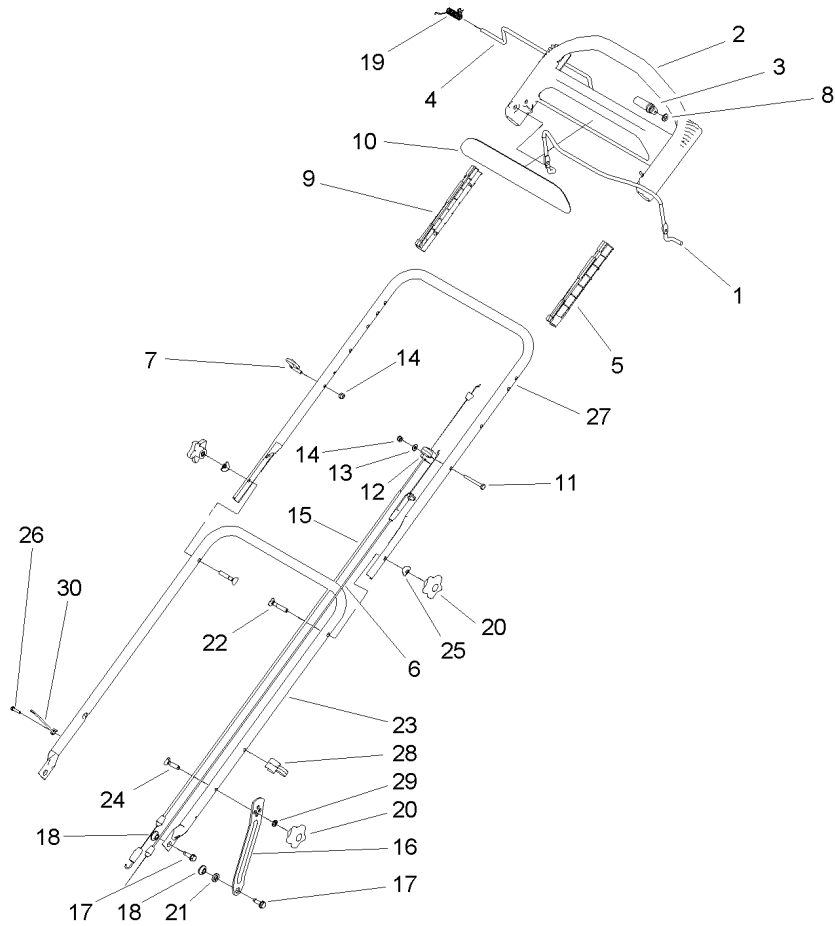
Ref	Part No.	Qty.	Description
1	104-7619	1	Case-Gear
2	614668-03	1	Cover-Case, Gear
3	32144-4	4	Screw-HWH
4	32151-68	1	Ring-Retaining
5	3256-24	1	Washer-Flat
6	3285-19	2	Pin-Groove
7	3296-5	1	Nut-Lock
8	36-4780	2	Washer
9	36-4791	2	Washer-Thrust
10	60-8750	2	Bushing
11	60-8850	2	Bushing
12	614696	1	Shaft-Intermediate
13	100-1176	2	Pulley-Half
14	100-1048	1	Bearing-Ball
15	62-6660	1	Spacer
16	104-1005	1	Gear-19T Spur, 37T Bevel
17	104-7667	1	Gear-Pinion, Bevel
18	104-1004	1	Gear-30T
19	104-7675	1	Shaft-Output

--	--	--	--



Engine Assembly

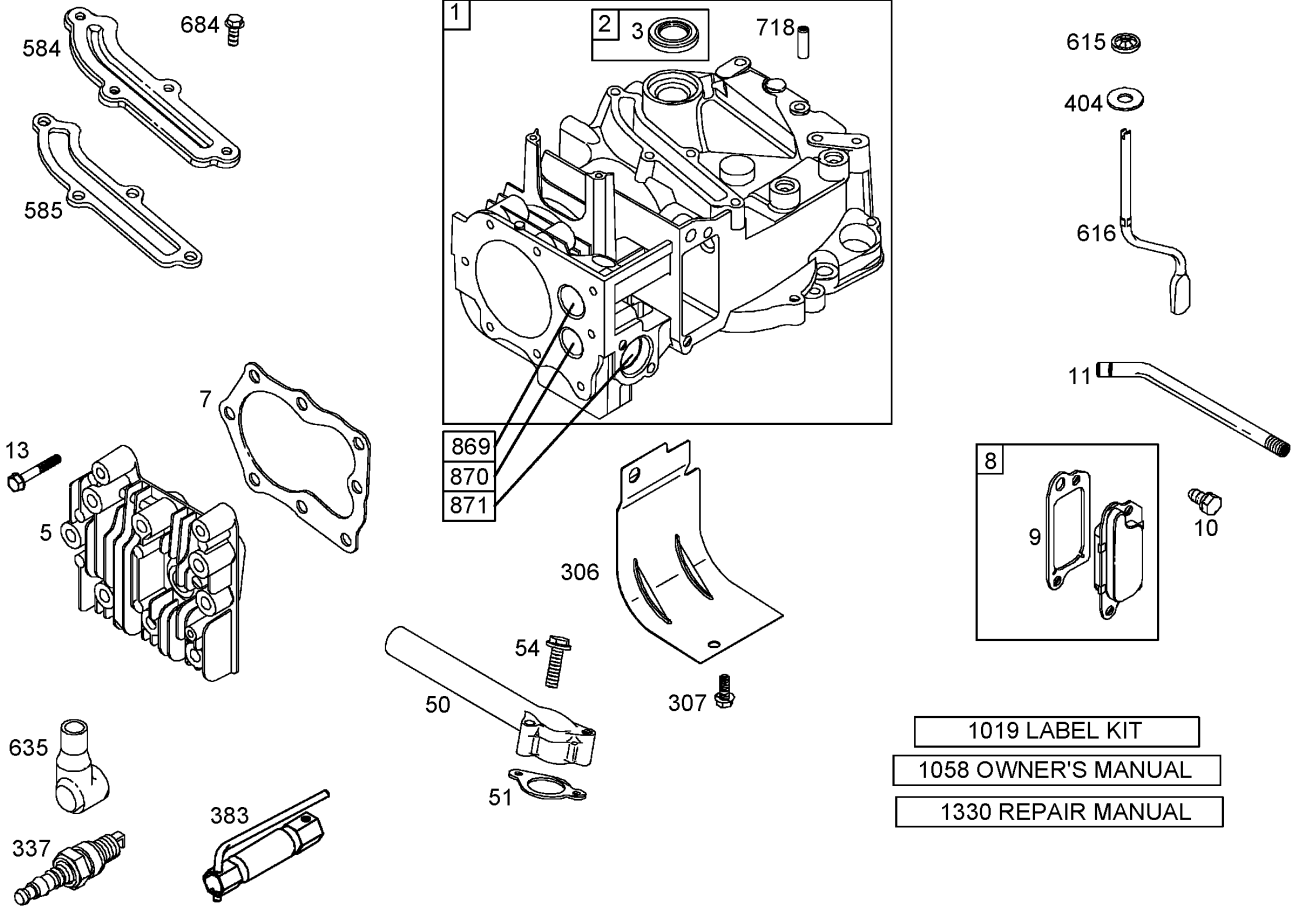
Ref	Part No.	Qty.	Description				
1	105-8579	1	Bolt-Blade				
2	105-6848-03	1	Accelerator-Blade				
3	106-3987	1	Blade Driver ASM				
4	106-3999	1	Spacer-Driver				
7		1	Engine-Briggs And Stratton, 125K02-0189-E1				
8	2210-316	1	Stop-Rope				
9	104-7577-03	1	Shield-Muffler				
10	32144-1	3	Screw-Taptite				
11	107-7489-03	1	Shield-Grass				
12	95-1727	3	Screw-Taptite				
13	108-8110-03	1	Guide-Belt				
14	108-8130	1	Decal-Recoil				
15	108-3762-03	1	Blade-Recycling				
15	108-3759-03	1	Blade-Bagging				
17	108-4841	1	Decal				



Handle Assembly

Ref	Part No.	Qty.	Description
1	104-8679-03	1	Bail-Brake
2	104-8678	1	Handle-Control
3	99-1589	1	Lever-Traction
4	99-1588	1	Bar-Control, Traction
5	105-6842	1	Guide-LH
6	106-5750	1	Cable-Brake
7	86-9671	1	Guide-Rope
8	3256-23	1	Washer-Flat
9	105-6841	1	Guide-RH
10	108-8134	1	Decal-Handle
11	95-4453	1	Screw
12	99-5239	1	Anchor-Cable
13	3256-1	1	Washer-Flat
14	3296-73	2	Nut-Lock, NI
15	107-3790	1	Cable-Traction
16	107-3780-03	2	Support-Handle
17	701243	4	Screw-HWH, TAP
18	27-6600	4	Spacer-Coupling
19	104-8690	1	Spring-Torsion
20	106-4161	4	Knob-Handle
21	55-9670	2	Washer
22	92-2260	2	Screw-Handle
23	107-7476-05	1	Handle-Lower
24	92-4095	2	Screw-Handle

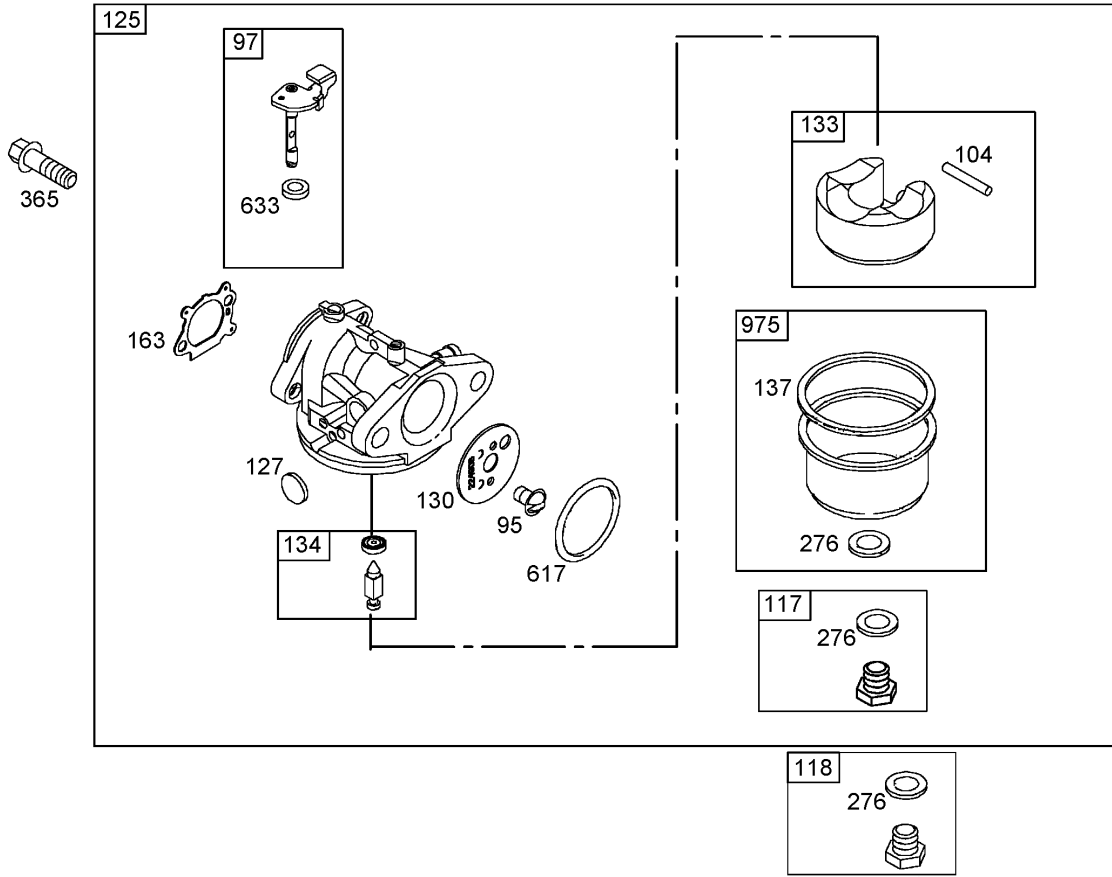
Ref	Part No.	Qty.	Description
25	107-3844	2	Washer
26	32144-53	1	Screw-SHWH
27	107-3781-05	1	Handle-Upper
28	106-6805	1	Guide-Cable
29	3255-8	2	Washer-Lock
30	108-9452	1	Hook-Rope, Displacement



Cylinder Assembly Briggs and Stratton 125K02-0189-E1

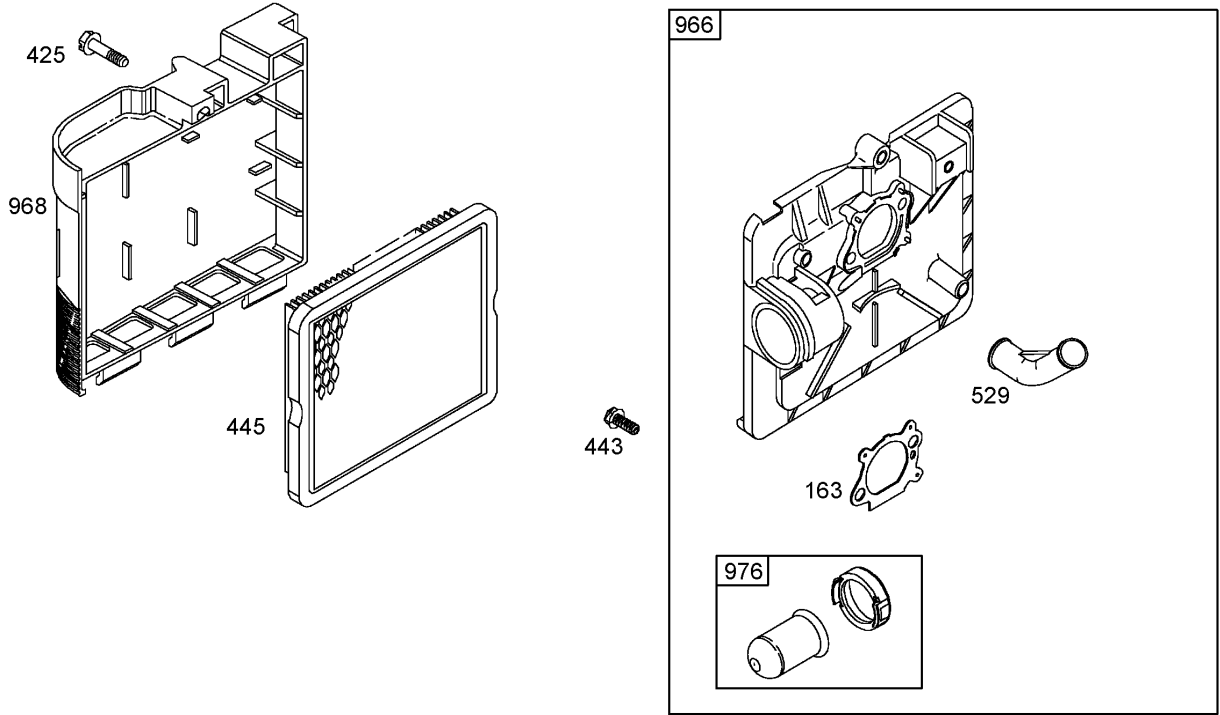
Ref	Part No.	Qty.	Description
1	697322	1	Cylinder ASM
2	399269	1	Bushing/Seal Kit
3	299819	1	Seal-Oil (Magneto Side)
5	691160	1	Head-Cylinder
7	692249	1	Gasket-Head, Cylinder
8	695250	1	Breather ASM
9	699472	1	Gasket-Breather
10	691125	1	Screw (Breather Side)
11	691781	1	Tube-Breather
13	690912	1	Screw (Cylinder Head)
50	497465	1	Manifold-Intake
51	272199	1	Gasket-Intake
54	691650	1	Screw (Intake Manifold)
306	690450	1	Shield-Cylinder
307	690345	1	Screw (Cylinder Shield)
337	802592	1	Plug-Spark
383	89838	1	Wrench-Plug, Spark
404	690272	1	Washer (Governor Crank)
584	697734	1	Cover-Passage, Breather
585	691879	1	Gasket-Passage, Breather
615	690340	1	Retainer-Shaft, Governor
616	698801	1	Crank-Governor
635	66538	1	Boot-Plug, Spark
684	690345	1	Screw (Breather Passage Cover)

Ref	Part No.	Qty.	Description
718	690959	1	Pin-Locating
869	691155	1	Seat-Valve (Intake)
870	690380	1	Seat-Valve (Exhaust)
871	262001	1	Bushing-Guide (Exhaust)
871	63709	1	Bushing-Guide (Intake)
1019	494256	1	Label Kit
1058	275177	1	Manual-Owner's
1330	270962	1	Manual-Repair



Carburetor Assembly Briggs and Stratton 125K02-0189-E1

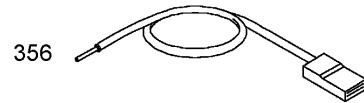
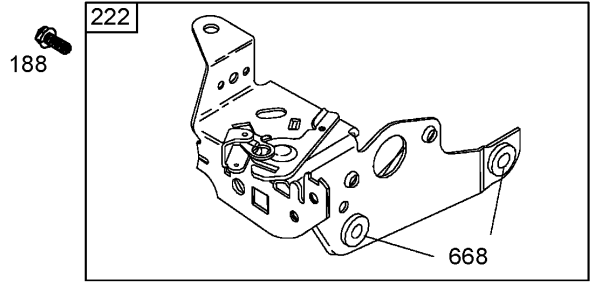
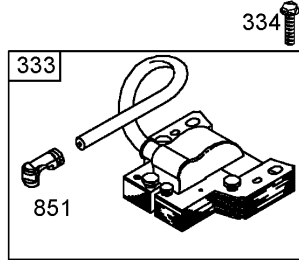
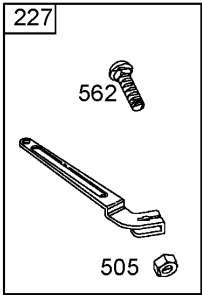
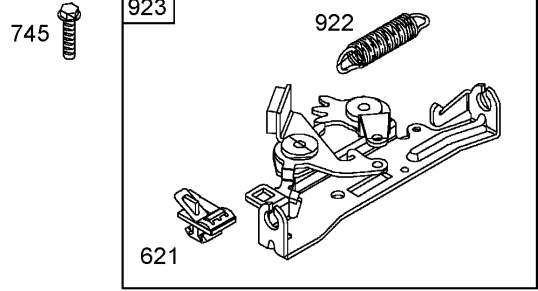
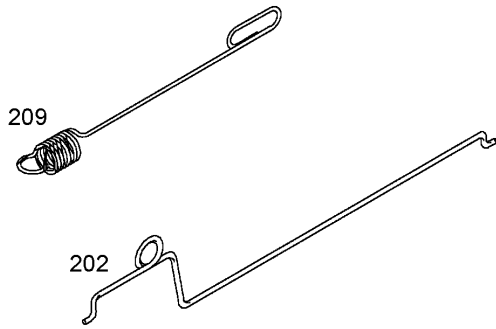
Ref	Part No.	Qty.	Description
● 95	691636	1	Screw (Throttle Valve)
● 97	696565	1	Shaft-Throttle
● 104	691242	1	Pin-Hinge, Float
● 117	498978	1	Jet-Main (Standard)
● 118	497466	1	Main Jet (High Altitude)
● 125	498170	1	Carburetor
● 127	694468	1	Plug-Welch
● 130	696564	1	Valve-Throttle
● 133	398187	1	Float-Carburetor
● 134	398188	1	Needle/Seat Kit
● 137	693981	1	Gasket-Bowl, Float
● 163	272653	1	Gasket-Cleaner, Air
● 276	271716	1	Washer-Sealing
● 365	692524	1	Screw (Carburetor)
● 617	270344	1	Seal-O Ring (Intake Manifold)
● 633	691321	1	Seal (Choke/Throttle Shaft)
● 975	493640	1	Bowl-Float



Air Cleaner Assembly Briggs and Stratton 125K02-0189-E1

Ref	Part No.	Qty.	Description
● 163	272653	1	Gasket-Cleaner, Air
● 425	690670	1	Screw (Air Cleaner Cover)
● 443	692523	1	Screw (Air Cleaner Primer Base)
● 445	491588	1	Filter-Cartridge, Air Cleaner
● 529	691923	1	Grommet
● 966	496116	1	Base-Primer, Air Cleaner
● 968	692298	1	Cover-Cleaner, Air
● 976	694395	1	Primer-Carburetor

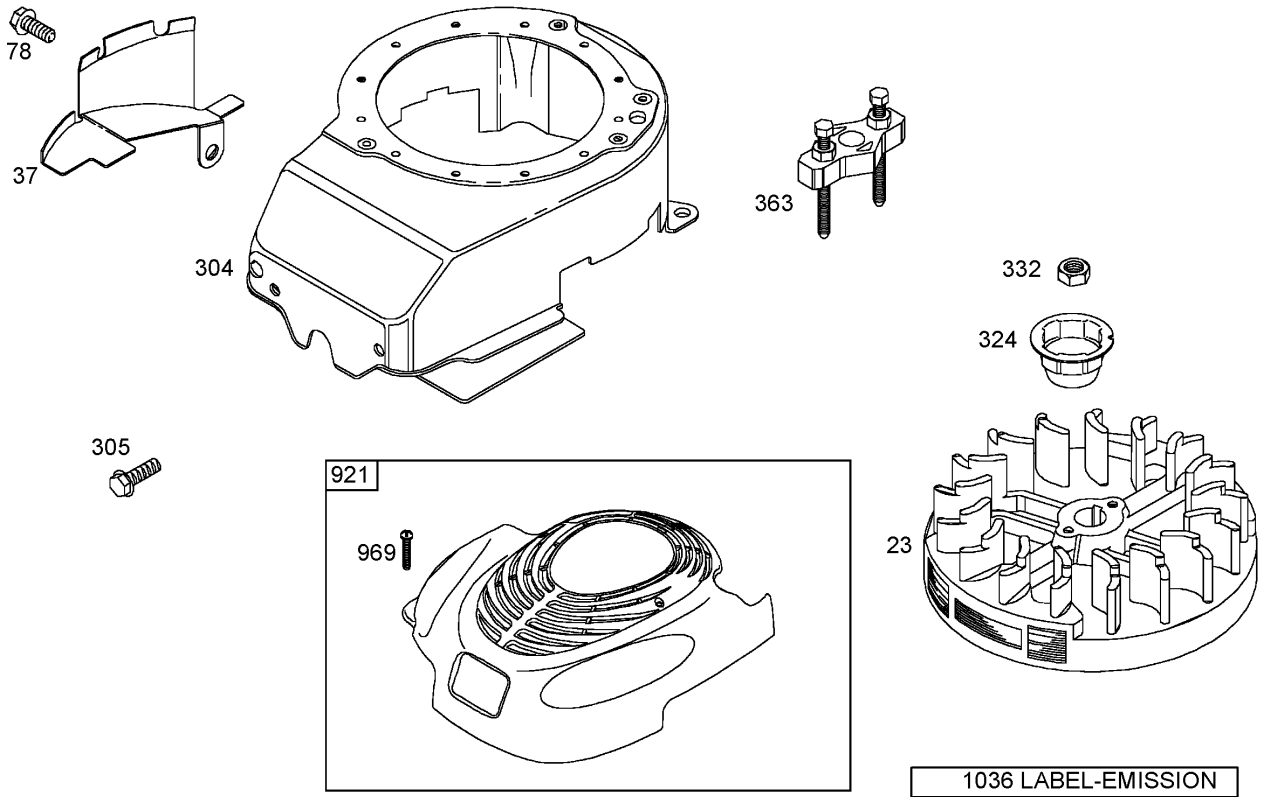
--	--	--	--



Governor Assembly Briggs and Stratton 125K02-0189-E1

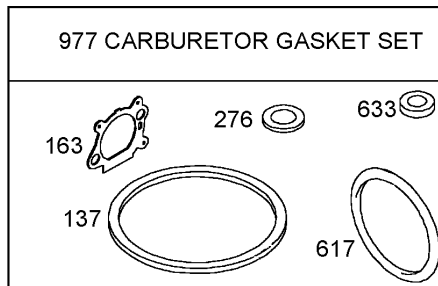
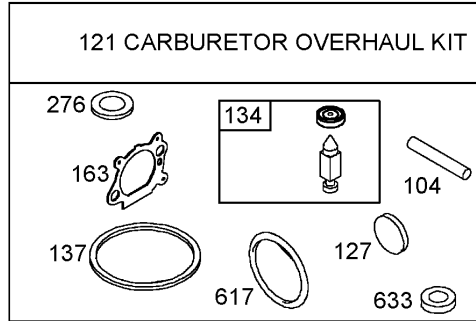
Ref	Part No.	Qty.	Description
● 188	693399	1	Screw (Control Bracket)
● 202	691829	1	Link-Governor, Mechanical
● 209	691292	1	Spring-Governor
● 222	791128	1	Bracket-Control
● 227	690783	1	Lever-Control, Governor
● 333	802574	1	Armature-Magneto
● 334	691061	1	Screw (Magneto Armature)
● 356	692390	1	Wire-Stop
● 505	691251	1	Nut (Governor Control Lever)
● 562	691119	1	Bolt (Governor Control Lever)
● 621	692310	1	Switch-Stop
● 668	493823	1	Spacer
● 745	691648	1	Screw (Brake)
● 851	493880	1	Terminal-Plug, Spark
● 922	691831	1	Spring-Brake
● 923	691994	1	Brake ASM

--	--	--	--



Blower Housing Assembly Briggs and Stratton 125K02-0189-E1

Ref	Part No.	Qty.	Description
23	692315	1	Flywheel
37	694086	1	Guard-Flywheel
78	691108	1	Screw (Flywheel Guard)
304	493293	1	Housing-Blower
305	691108	1	Screw (Blower Housing)
324	695161	1	Cup/Screen ASM
332	690662	1	Nut (Flywheel)
363	19069	1	Puller-Flywheel
921	790036	1	Cover-Housing, Blower
969	691138	1	Screw (Blower Housing Cover)
1036	790411	1	Label-Emission



Carburetor Overhaul Kit and Gasket Set Assemblies Briggs and Stratton 125K02-0189-E1

Ref	Part No.	Qty.	Description				
② 104	691242	1	Pin-Hinge, Float				
② 121	498260	1	Carburetor Overhaul Kit				
② 127	694468	1	Plug-Welch				
② 134	398188	1	Needle/Seat Kit				
② 137	693981	1	Gasket-Bowl, Float				
② 163	272653	1	Gasket-Cleaner, Air				
② 276	271716	1	Washer-Sealing				
② 617	270344	1	Seal-O Ring (Intake Manifold)				
② 633	691321	1	Seal (Choke/Throttle Shaft)				
② 977	498261	1	Gasket Set-Carburetor				

Attachments and Accessories

For 20055 - Super Recycler Lawn Mower

Product Name	Model/Part
Blade-Bagging	108-3759-03
Traction Assist Handle Kit	108-8120

NOTES

