



## Super Recycler<sup>®</sup> Lawn Mower

Model No. 20057 - 250000001 and up.

### Parts Catalog

---

#### Ordering Replacement Parts

To order replacement parts, please supply the part number, the quantity, and the description of each part desired.

#### Understanding Reference Numbers

Each identified part in an illustration has a reference number. The reference number for a part also appears in the parts list, along with other information about the part.

This catalog uses two special reference number formats, one to indicate parts in a service assembly and another to indicate the quantity of a given part in an illustration.

#### Service Assembly Reference Numbers

Parts in service assemblies have reference numbers in the form a:b. The a represents the reference number of the entire service assembly and the b represents a sequential number unique to each part within the service assembly.

For example, a wheel assembly might be identified by reference number 6, the tire by 6:1, the valve by 6:2, and the wheel by 6:3. When you order the assembly identified by reference number 6, you receive all parts identified by reference numbers 6:1, 6:2, and 6:3. However, you may also order any part individually. Reference numbers of this type appear in illustrations and in part lists.

#### Reference Numbers Indicating Quantity

In an illustration, if a reference number indicates more than one part, the reference number has the form nX y. The n represents the quantity of the part, the X is the multiplication symbol, and the y represents the reference number.

For example, in an illustration, the reference number 2X 37 means that two of the parts identified by reference number 37 are indicated.

# Contents

Description	Page	Description	Page
Housing Assembly	..... 3	Crankcase Assembly Briggs and Stratton 122672-0192-E1	..... 15
Housing Assembly No. 108-4750	..... 4	Carburetor Assembly Briggs and Stratton 122672-0192-E1	..... 16
Height-of-Cut Assembly	..... 5	Air Cleaner Assembly Briggs and Stratton 122672-0192-E1	..... 17
Transmission Assembly	..... 6	Governor Assembly Briggs and Stratton 122672-0192-E1	..... 18
Gearcase Assembly No. 108-8140	..... 7	Muffler and Fuel Tank Assembly Briggs and Stratton 122672-0192-E1	..... 19
Engine Assembly	..... 8	Blower Housing Assembly Briggs and Stratton 122672-0192-E1	..... 20
Handle Assembly	..... 9	Starter Assembly Briggs and Stratton 122672- 0192-E1	..... 21
Traction Assist Assembly	..... 10	Valve and Engine Gasket Set Assemblies Briggs and Stratton 122672-0192-E1	..... 22
Grass Bag Assembly	..... 11	Carburetor Overhaul Kit and Gasket Set Assemblies Briggs and Stratton 122672-0192- E1	..... 23
Cylinder Assembly Briggs and Stratton 122672-0192-E1	..... 12		
Cylinder Head Assembly Briggs and Stratton 122672-0192-E1	..... 13		
Crankshaft Assembly Briggs and Stratton 122672-0192-E1	..... 14		

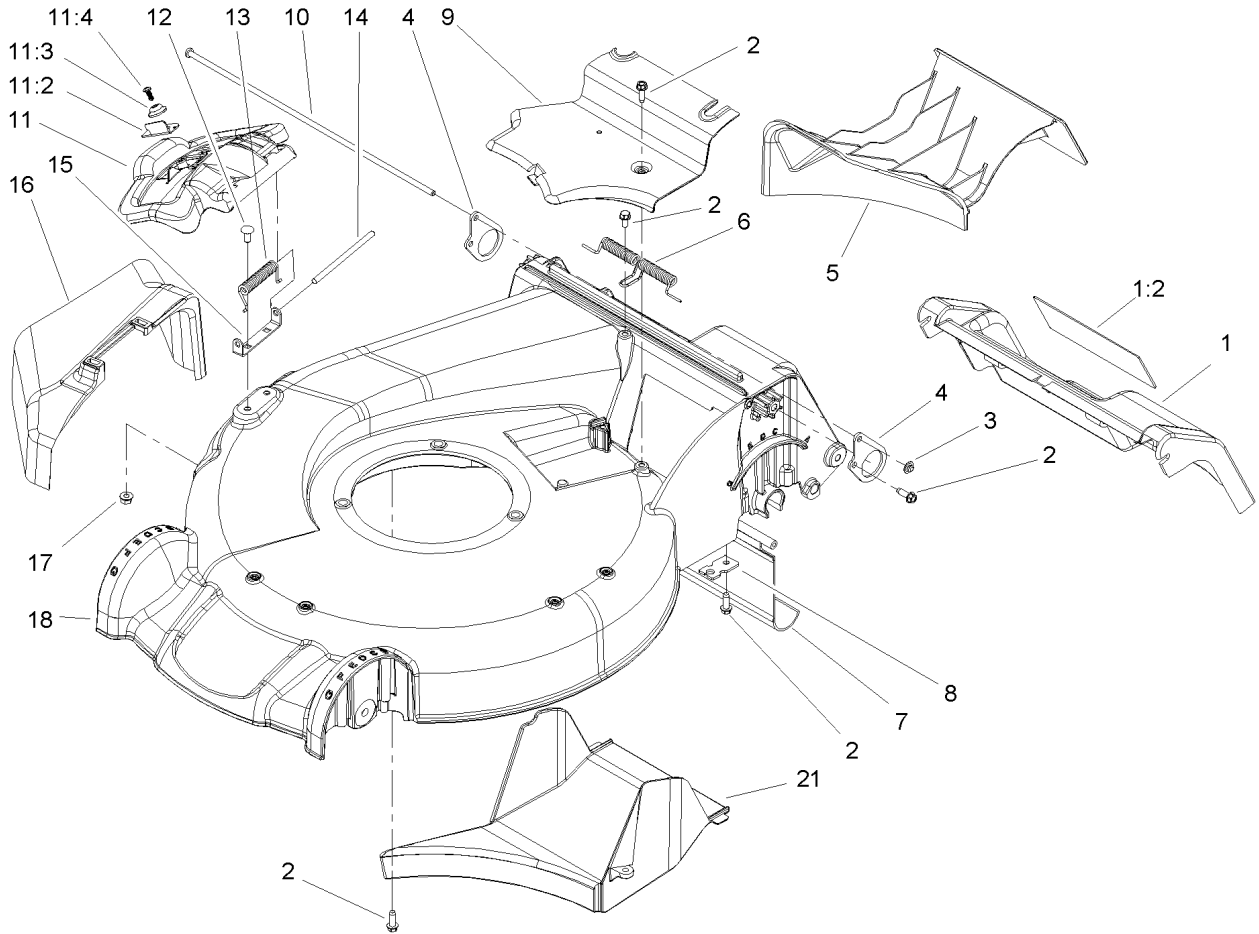
## Part Description Abbreviations

Part descriptions in this catalog may include the following abbreviations.

AR. .... as required	HWHTF. .... hex washer head thread forming
ASM. .... assembly	HYD. .... hydraulic
BBC. .... Blade Brake Clutch	INC. .... incorporated
CARR. .... carriage	LH. .... left hand
DEG. .... degrees	NI. .... nylon insert
EXT. .... external	NPTF. .... national pipe thread fine
FH. .... flat head	PPH. .... phillips pan head
GA. .... gauge	PPHTF. .... phillips pan head thread forming
HF. .... hex flange	PRH. .... phillips round head
HH. .... hex head	PTH. .... phillips truss head
HHF. .... hex head flange	PTO. .... power take off
HHFTF. .... hex head flange thread forming	RH. .... right hand
HJ. .... hex jam	ROPS. .... roll over protection system
HLH. .... hex lag head	SFH. .... slotted fillister head
HOC. .... height-of-cut	SHH. .... slotted hex head
HSBH. .... hex socket button head	SHWH. .... slotted hex washer head
HSFH. .... hex socket flat head	SPH. .... slotted pan head
HSH. .... hex socket head	SQH. .... square head
HWH. .... hex washer head	

## Footnotes

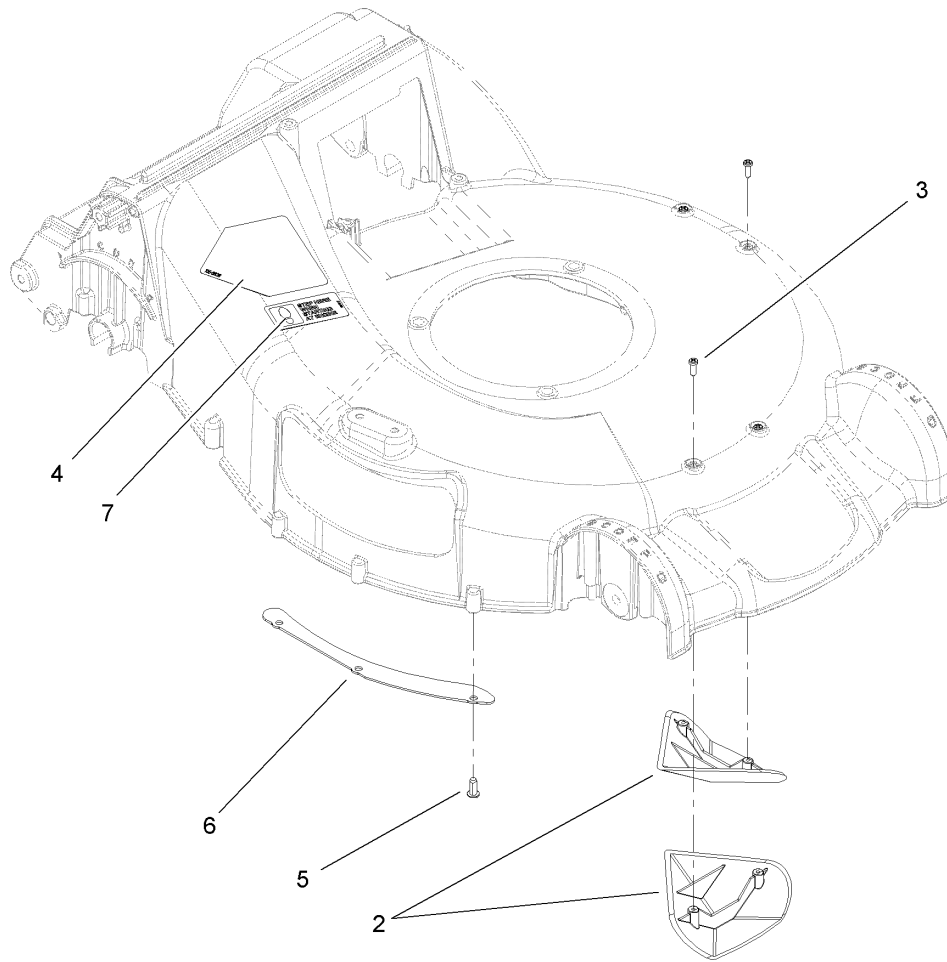
- ❶ Obtain parts from your local Briggs & Stratton dealer
- ❷ For use only on Models with BBC



## Housing Assembly

Ref	Part No.	Qty.	Description
1	105-1323	1	Rear Door ASM
1:2	105-1295	1	Decal-Warning
2	49-2040	7	Screw-TAP
3	3290-337	1	Nut-Speed
4	107-7493	2	Plate-Support, Door
5	107-7490	1	Plug-Mulch
6	105-3032	1	Spring-Door, Rear
7	107-7496	1	Shield-Trailing
8	107-7497	1	Bracket-Cable, Traction
9	107-7494	1	Cover-Belt
10	107-7499	1	Rod-Support, Door
11	107-3717	1	Discharge Door ASM
11:2	107-0795	1	Latch-Door
11:3	107-7456	1	Cap-Door
11:4	107-7461	1	Screw-Plastite
12	3229-11	2	Screw-CARR
13	99-5293	1	Spring-Torsion
14	99-5291	1	Rod-Cover
15	99-5292	1	Bracket-Cover
16	108-3753	1	Chute-Discharge, Side
17	32128-32	2	Nut-HHF
18	108-4750	1	Housing ASM
21	107-7495	1	Tunnel-Discharge

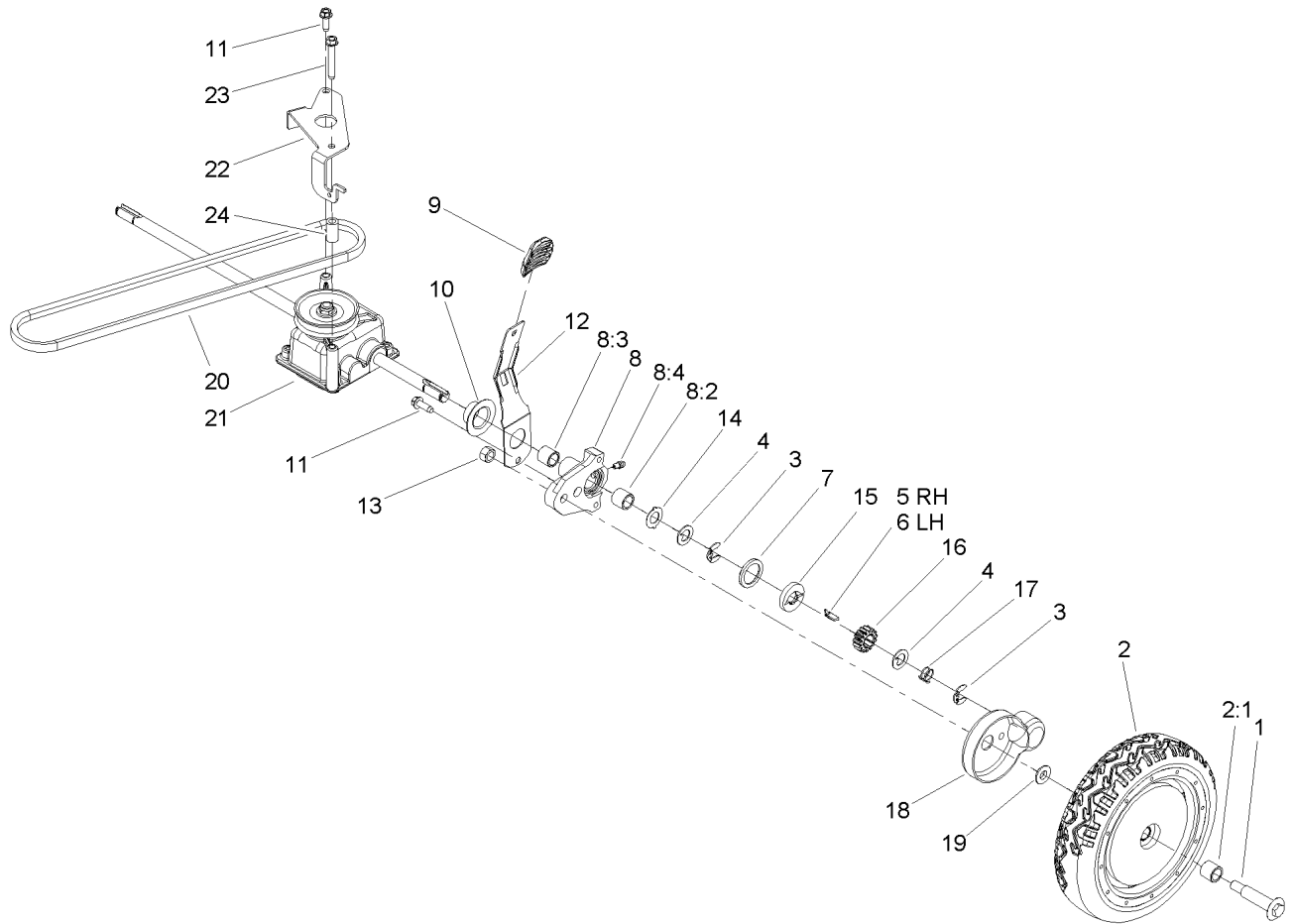
--	--	--	--



### Housing Assembly No. 108-4750

Ref	Part No.	Qty.	Description
2	108-3798	2	Kicker-Housing
3	32144-111	4	Screw-PPH
4	105-6838	1	Decal-Danger
5	63-8590	3	Screw
6	105-1316-03	1	Sheet-Lip
7	108-8117	1	Decal-Foot Placement

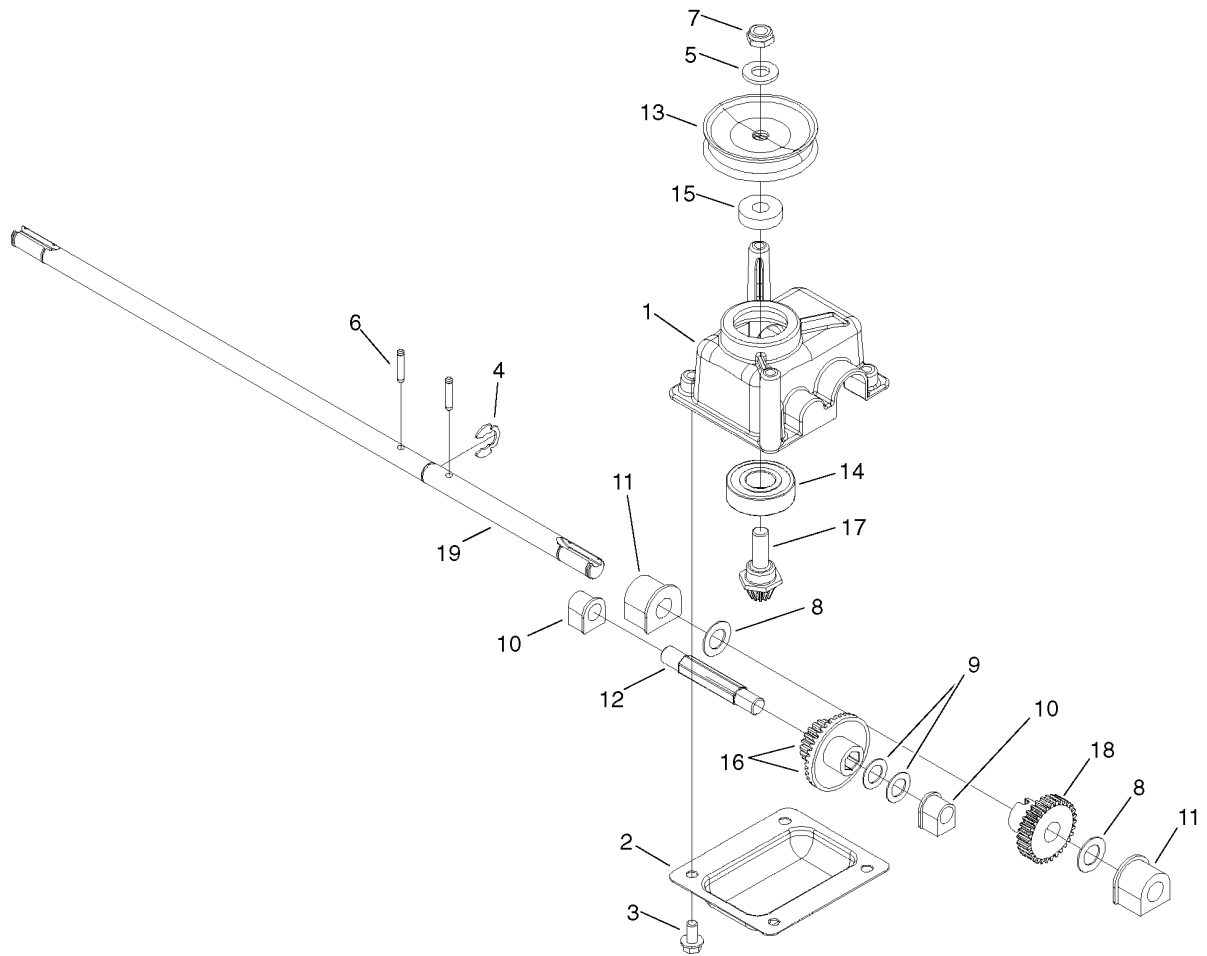




## Transmission Assembly

Ref	Part No.	Qty.	Description
1	92-1057	2	Bolt-Shoulder
2	107-3709	2	Wheel Gear ASM
2:1	27-6250	2	Bushing
3	65-2720	4	Klipring-Locking
4	65-4740	4	Washer-Thrust, Keyed
5	66-6040	1	Key-Rocking, RH
6	66-6050	1	Key-Rocking, LH
7	65-4710	2	Ring-Friction
8	100-8774	2	Pivot Arm ASM
8:2	47-2900	1	Bushing
8:3	70-9760	1	Bushing
8:4	302-56	1	Fitting-Grease
9	105-3042	2	Knob-Lever, HOC
10	42-3520	2	Cap-End
11	49-2040	3	Screw-TAP
12	107-7491	2	Spring Arm
13	603773	2	Nut
14	65-4730	2	Washer-Arm, Pivot
15	65-4760	2	Washer-Clutch
16	65-4750	2	Gear-Pinion
17	65-4720	2	Spring-Compression
18	74-1660	2	Cover-Wheel
19	74-1671	2	Spacer-Cover, Wheel
20	99-1597	1	V-Belt

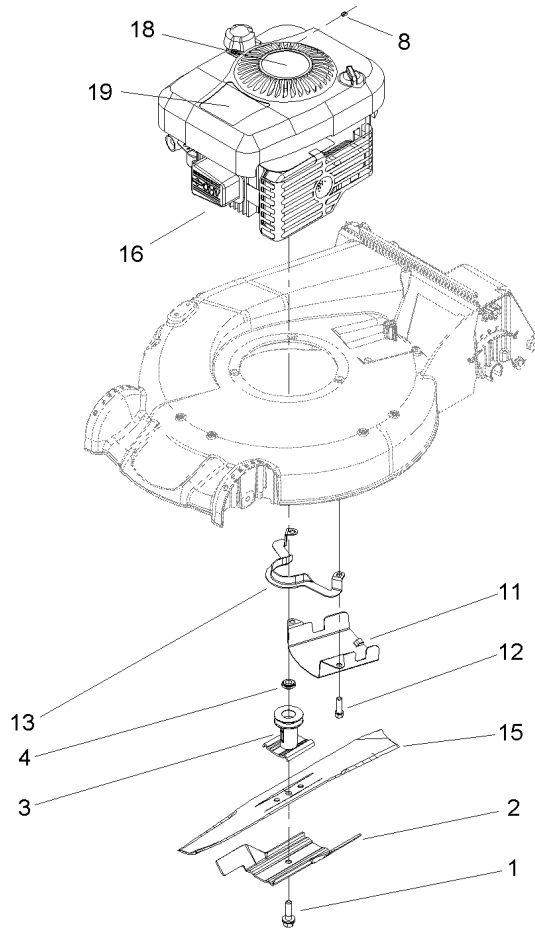
Ref	Part No.	Qty.	Description
21	108-8140	1	Gear Case ASM
22	107-7483-03	1	Bracket-Gearbox
23	92-1616	1	Screw-HWH, TAP
24	614673	1	Bushing-Plate, Actuator



### Gearcase Assembly No. 108-8140

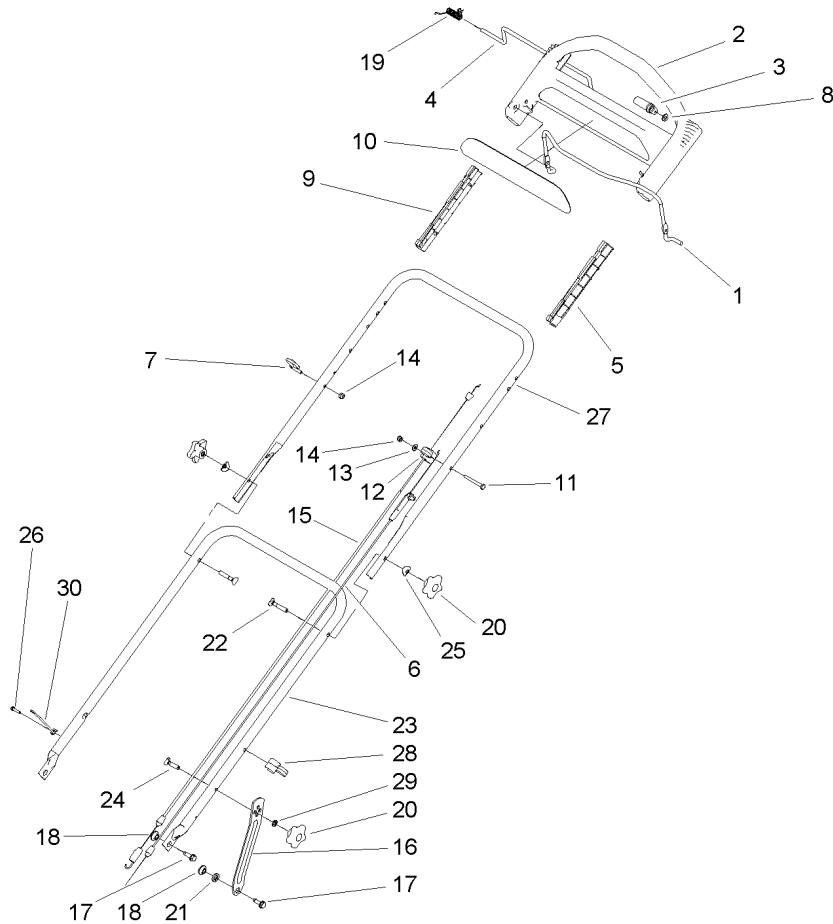
Ref	Part No.	Qty.	Description
1	104-7619	1	Case-Gear
2	614668-03	1	Cover-Case, Gear
3	32144-4	4	Screw-HWH
4	32151-68	1	Ring-Retaining
5	3256-24	1	Washer-Flat
6	3285-19	2	Pin-Groove
7	3296-5	1	Nut-Lock
8	36-4780	2	Washer
9	36-4791	2	Washer-Thrust
10	60-8750	2	Bushing
11	60-8850	2	Bushing
12	614696	1	Shaft-Intermediate
13	100-1176	2	Pulley-Half
14	100-1048	1	Bearing-Ball
15	62-6660	1	Spacer
16	104-1005	1	Gear-19T Spur, 37T Bevel
17	104-7667	1	Gear-Pinion, Bevel
18	104-1004	1	Gear-30T
19	108-8141	1	Shaft-Output

--	--	--	--



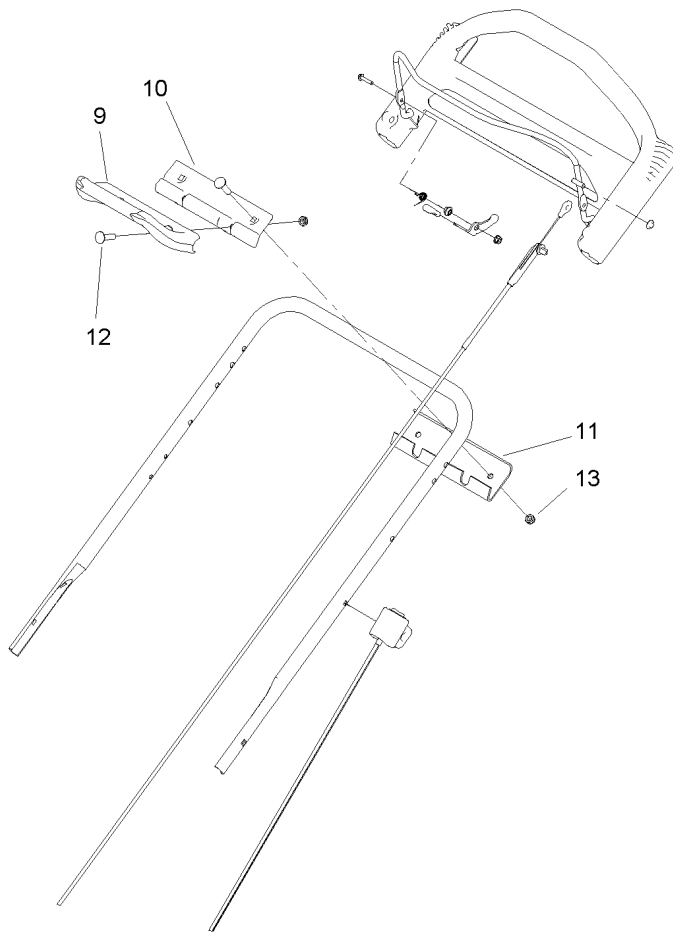
## Engine Assembly

Ref	Part No.	Qty.	Description				
1	105-8579	1	Bolt-Blade				
2	105-6848-03	1	Accelerator-Blade				
3	106-3987	1	Blade Driver ASM				
4	106-3999	1	Spacer-Driver				
8	2210-316	1	Stop-Rope				
11	107-7489-03	1	Shield-Grass				
12	95-1727	3	Screw-Taptite				
13	108-8110-03	1	Guide-Belt				
15	108-3762-03	1	Blade-Recycling				
16		1	Engine-Briggs And Stratton, 122672-0192-E1				
18	108-4842	1	Decal				
19	108-8132	1	Decal				



## Handle Assembly

Ref	Part No.	Qty.	Description	Ref	Part No.	Qty.	Description
1	104-8679-03	1	Bail-Brake	25	107-3844	2	Washer
2	104-8678	1	Handle-Control	26	32144-53	1	Screw-SHWH
3	99-1589	1	Lever-Traction	27	107-3781-05	1	Handle-Upper
4	99-1588	1	Bar-Control, Traction	28	106-6805	1	Guide-Cable
5	105-6842	1	Guide-LH	29	3255-8	2	Washer-Lock
6	106-5750	1	Cable-Brake	30	108-9452	1	Hook-Rope, Displacement
7	86-9671	1	Guide-Rope				
8	3256-23	1	Washer-Flat				
9	105-6841	1	Guide-RH				
10	108-8134	1	Decal-Handle				
11	95-4453	1	Screw				
12	99-5239	1	Anchor-Cable				
13	3256-1	1	Washer-Flat				
14	3296-73	2	Nut-Lock, NI				
15	107-3790	1	Cable-Traction				
16	107-3780-03	2	Support-Handle				
17	701243	4	Screw-HWH, TAP				
18	27-6600	4	Spacer-Coupling				
19	104-8690	1	Spring-Torsion				
20	106-4161	4	Knob-Handle				
21	55-9670	2	Washer				
22	92-2260	2	Screw-Handle				
23	107-7476-05	1	Handle-Lower				
24	92-4095	2	Screw-Handle				

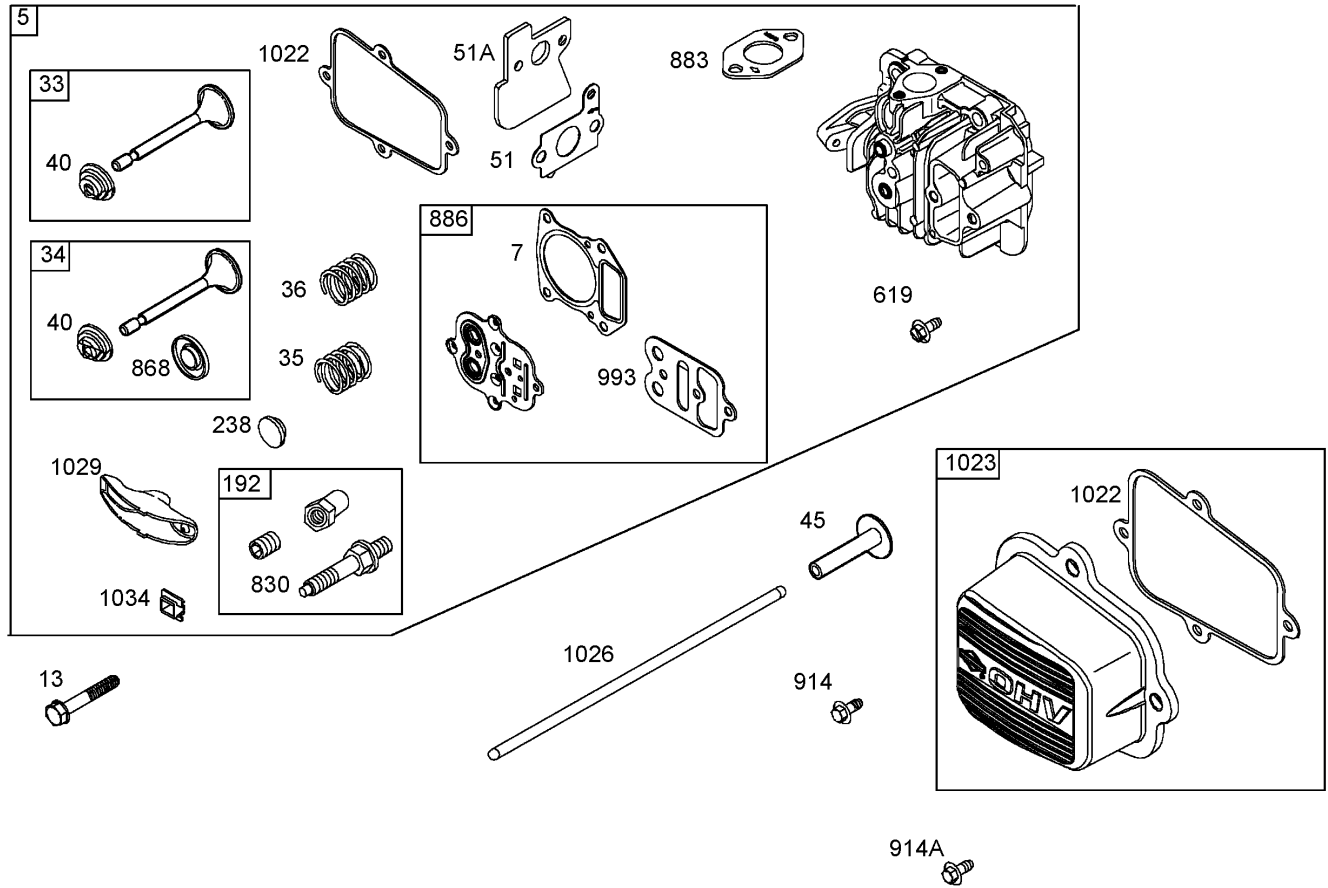


### Traction Assist Assembly

Ref	Part No.	Qty.	Description
9	99-1591	1	Handle-Assist, Traction
10	108-3756-03	1	Bracket-Assist, Handle
11	108-3758-03	1	Bracket-Assist, Handle
12	3230-29	4	Screw-CARR
13	3296-72	4	Nut-Lock, NI



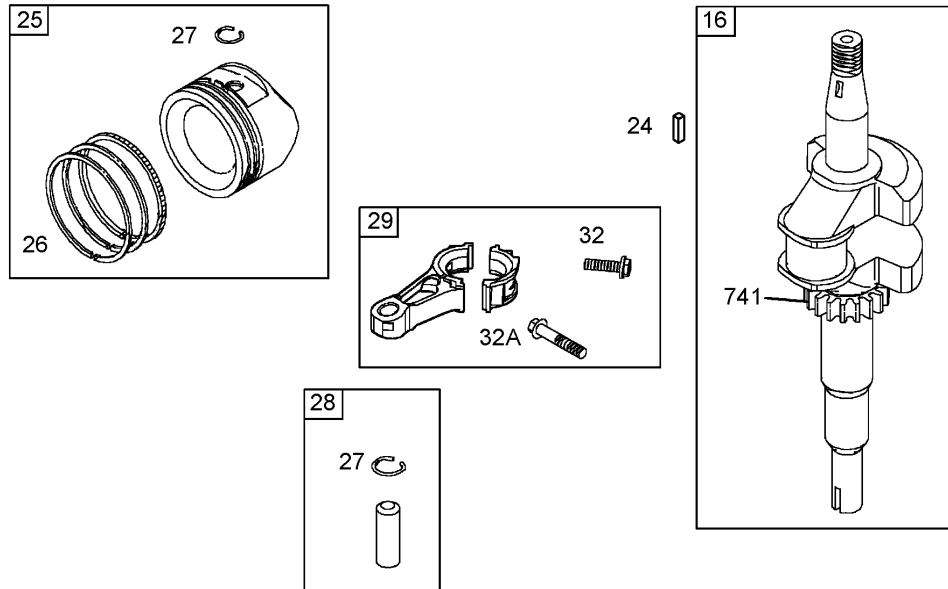




## Cylinder Head Assembly Briggs and Stratton 122672-0192-E1

Ref	Part No.	Qty.	Description
●5	695276	1	Head-Cylinder
●7	697230	1	Gasket-Head, Cylinder
●13	691137	1	Screw (Cylinder Head)
●33	499642	1	Valve-Exhaust
●34	499641	1	Valve-Intake
●35	691304	1	Spring-Valve (Intake)
●36	691304	1	Spring-Valve (Exhaust)
●40	692194	1	Retainer-Valve
●45	690977	1	Valve-Tappet
●51	692668	1	Gasket-Intake
●51A	692799	1	Gasket-Intake
●192	694543	1	Adjuster-Arm, Rocker
●238	691300	1	Cap-Valve
●619	691108	1	Screw (Cylinder Head Plate)
●830	694544	1	Stud-Arm, Rocker
●868	692044	1	Seal-Valve
●883	691893	1	Gasket-Exhaust
●886	696268	1	Cylinder Head/Plate Gasket Kit
●914	691127	1	Screw (Rocker Cover)
●914A	691108	1	Screw (Rocker Cover)
●993	694088	1	Gasket-Plate, Cylinder Head
●1022	691890	1	Gasket-Cover, Rocker
●1023	692694	1	Cover-Rocker
●1026	692045	1	Rod-Push

Ref	Part No.	Qty.	Description
●1029	691230	1	Arm-Rocker
●1034	691343	1	Guide-Rod, Push



## Crankshaft Assembly Briggs and Stratton 122672-0192-E1

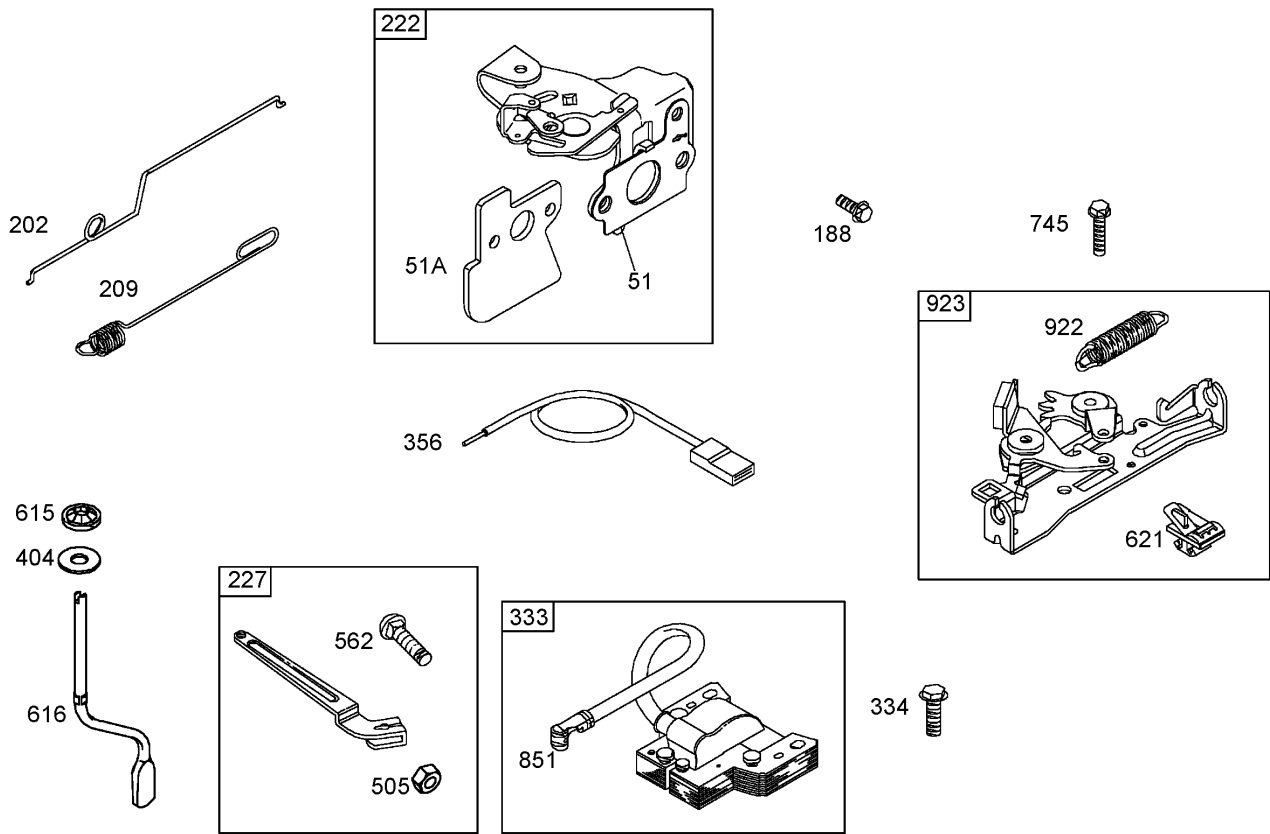
Ref	Part No.	Qty.	Description
●16	695950	1	Crankshaft
●24	222698	1	Key
●25	499627	1	Piston ASM (Standard)
●25	692789	1	Piston ASM (.020In Oversize)
●26	499631	1	Ring Set (Standard)
●26	692786	1	Ring Set (.020In Oversize)
●27	691866	1	Lock-Pin, Piston
●28	499423	1	Pin-Piston
●29	499424	1	Rod-Connecting
●32	691664	1	Screw (Connecting Rod)
●32A	695759	1	Screw (Connecting Rod)
●741	790345	1	Gear-Timing

--	--	--	--



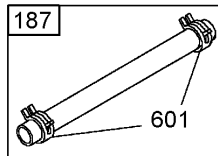
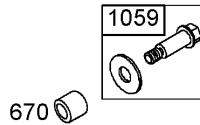
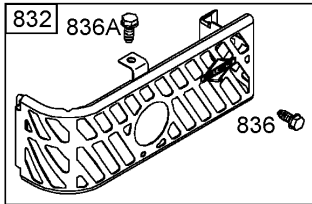
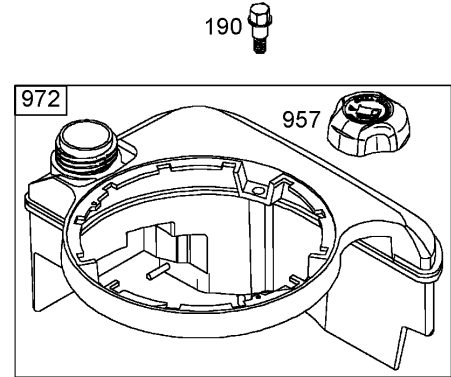
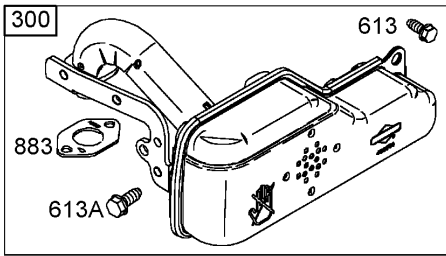






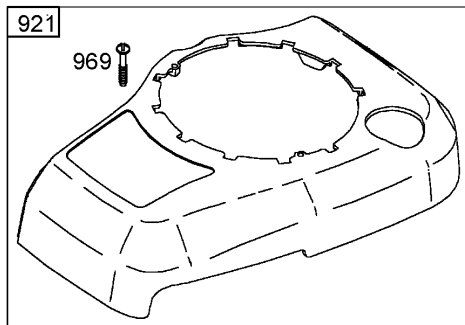
## Governor Assembly Briggs and Stratton 122672-0192-E1

Ref	Part No.	Qty.	Description
●51	692668	1	Gasket-Intake
●51A	692799	1	Gasket-Intake
●188	691147	1	Screw (Control Bracket)
●202	691303	1	Link-Governor, Mechanical
●209	690319	1	Spring-Governor
●222	697614	1	Bracket-Control
●227	690783	1	Lever-Control, Governor
●333	802574	1	Armature-Magneto
●334	691061	1	Screw (Magneto Armature)
●356	692390	1	Wire-Stop
●404	690272	1	Washer (Governor Crank)
●505	691251	1	Nut (Governor Control Lever)
●562	691119	1	Screw (Governor Control Lever)
●615	690340	1	Retainer-Shaft, Governor
●616	698801	1	Crank-Governor
●621	692310	1	Switch-Stop
●745	691648	1	Screw (Brake)
●851	493880	1	Terminal-Plug, Spark
●922	691831	1	Spring-Brake
●923	691994	1	Brake ASM

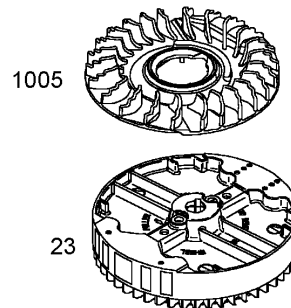
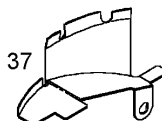
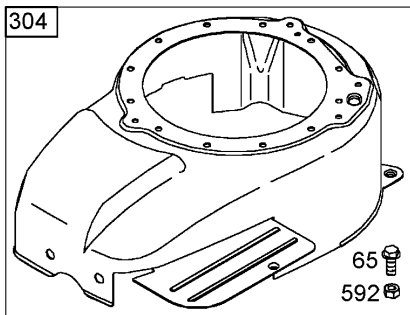
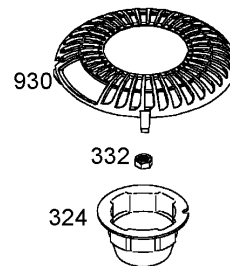
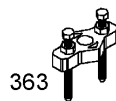


## Muffler and Fuel Tank Assembly Briggs and Stratton 122672-0192-E1

Ref	Part No.	Qty.	Description
●187	691050	1	Line-Fuel (Cut To Required Length)
●190	690940	1	Screw (Fuel Tank)
●300	694248	1	Muffler
●601	95162	1	Clamp-Hose
●613	691108	1	Screw (Muffler)
●613A	691140	1	Screw (Muffler)
●670	692294	1	Spacer-Tank, Fuel
●832	691466	1	Guard-Muffler
●836	697551	1	Screw (Muffler Guard)
●836A	691147	1	Screw (Muffler Guard)
●883	691893	1	Gasket-Exhaust
●957	692046	1	Cap-Tank, Fuel
●972	699374	1	Tank-Fuel
●1059	692311	1	Screw/Washer Kit



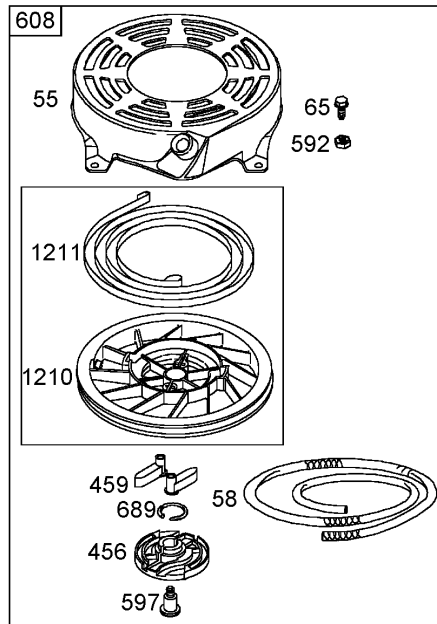
1036 EMISSION LABEL



## Blower Housing Assembly Briggs and Stratton 122672-0192-E1

Ref	Part No.	Qty.	Description
●23	696569	1	Flywheel
●37	694086	1	Guard-Flywheel
●65	690837	1	Screw (Rewind Starter)
●78	691108	1	Screw (Flywheel Guard)
●304	499677	1	Housing-Blower
●305	690960	1	Screw (Blower Housing)
●324	695161	1	Cup/Screen ASM
●332	690662	1	Nut (Flywheel)
●363	19069	1	Puller-Flywheel
●592	690800	1	Nut (Rewind Starter)
●921	692699	1	Cover-Housing, Blower
●930	692691	1	Guard-Rewind
●969	691138	1	Screw (Blower Housing Cover)
●1005	691346	1	Fan-Flywheel
●1036	790635	1	Label-Emission

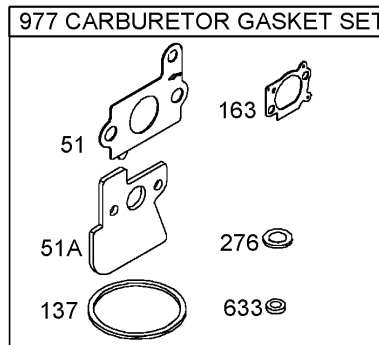
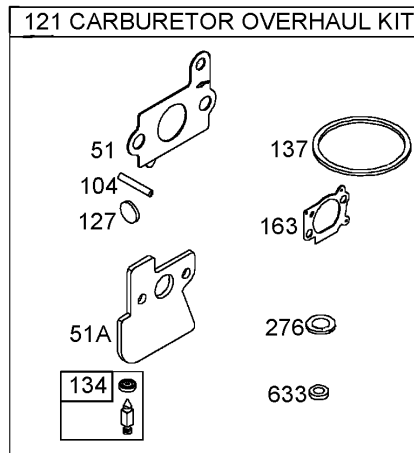
--	--	--	--



## Starter Assembly Briggs and Stratton 122672-0192-E1

Ref	Part No.	Qty.	Description				
●55	691421	1	Housing-Starter, Rewind				
●58	791362	1	Rope-Starter (Cut To Required Length)				
●65	690837	1	Screw (Rewind Starter)				
●456	692299	1	Plate-Friction, Pawl				
●459	281505	1	Ratchet-Pawl				
●592	690800	1	Nut (Rewind Starter)				
●597	691696	1	Screw (Pawl Friction Plate)				
●608	791363	1	Starter-Rewind				
●689	691855	1	Spring-Friction				
●1210	498144	1	Pulley/Spring ASM (Pulley)				
●1211	498144	1	Pulley/Spring ASM (Spring)				





## Carburetor Overhaul Kit and Gasket Set Assemblies Briggs and Stratton 122672-0192-E1

Ref	Part No.	Qty.	Description
●51	692668	1	Gasket-Intake
●51A	692799	1	Gasket-Intake
●104	691242	1	Pin-Hinge, Float
●121	692703	1	Carburetor Overhaul Kit
●127	694468	1	Plug-Welch
●134	398188	1	Needle/Seat Kit
●137	693981	1	Gasket-Bowl, Float
●163	691894	1	Gasket-Cleaner, Air
●276	271716	1	Washer-Sealing
●633	691321	1	Seal (Choke/Throttle Shaft)
●977	692704	1	Gasket Set-Carburetor

