



## 13in Trim and Edge Electric Trimmer

Model No. 51358 - 250000001 and up.

### Parts Catalog

---

#### **Ordering Replacement Parts**

To order replacement parts, please supply the part number, the quantity, and the description of each part desired.

#### **Understanding Reference Numbers**

Each Identified part in an illustration has a reference number. The reference number for a part also appears in the parts list, along with other information about the part.

This catalog uses two special reference number formats, one to indicate parts in a service assembly and another to indicate the quantity of a given part in an illustration.

#### **Service Assembly Reference Numbers**

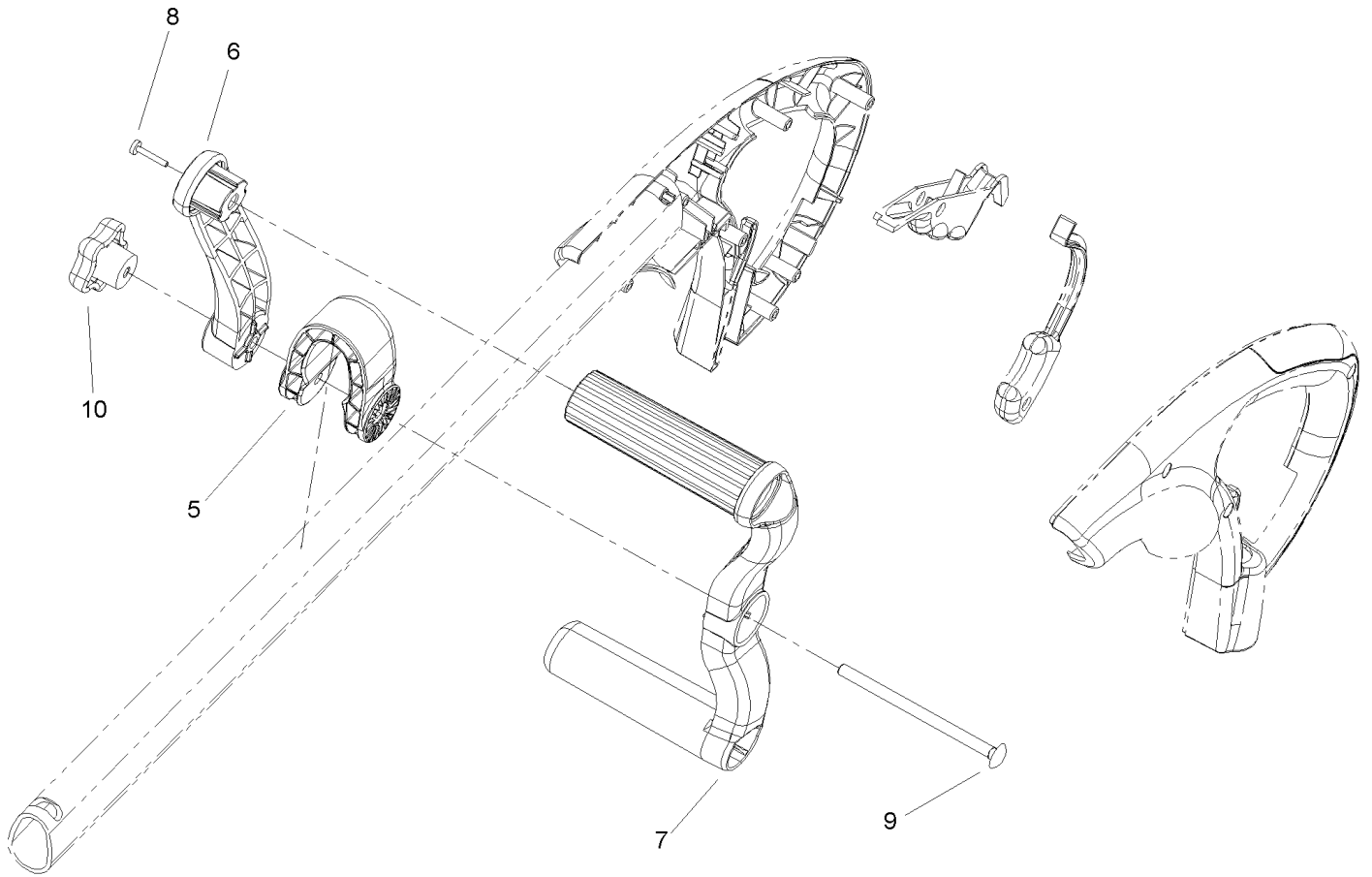
Parts in service assemblies have reference numbers in the form a:b. The a represents the reference number of the entire service assembly and the b represents a sequential number unique to each part within the service assembly.

For example, a wheel assembly might be identified by reference number 6, the tire by 6:1, the valve by 6:2, and the wheel by 6:3. When you order the assembly identified by reference number 6, you receive all parts identified by reference numbers 6:1, 6:2, and 6:3. However, you may also order any part individually. Reference numbers of this type appear in illustrations and in part lists.

#### **Reference Numbers Indicating Quantity**

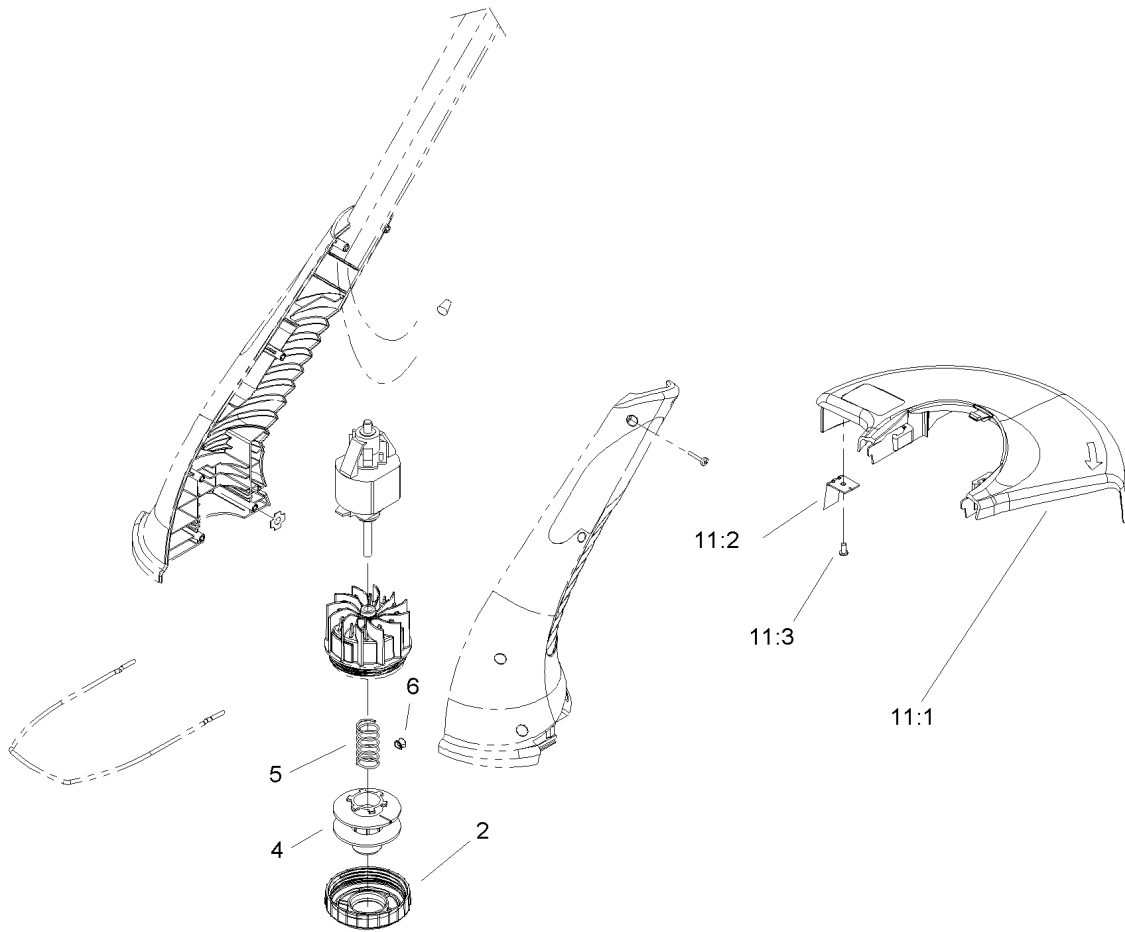
In an illustration, if a reference number indicates more than one part, the reference number has the form nX y. The n represents the quantity of the part, the X is the multiplication symbol, and the y represents the reference number.

For example, in an illustration, the reference number 2X 37 means that two of the parts identified by reference number 37 are indicated.



## Handle Assembly

Ref	Part No.	Qty.	Description				
5	107-3348	1	Collar-Handle, Assist				
6	107-3346	1	Handle-Assist, Right				
7	107-3347	1	Handle-Assist, Left				
7	108-6438	1	Assist Handle ASM				
8	94-4496	1	Screw-PPH				
9	108-6405	1	Screw-Carriage				
10	108-6402	1	Knob-Handle				



## Spool and Shield Assembly

Ref	Part No.	Qty.	Description
2	105-9422	1	Cap-Drum
4	73-8490	1	.065 Spool ASM
4:1	73-8190	1	Spool-Large (Not Illustrated)
4:2	88003	1	Line-Filament (Not Illustrated)
5	105-9423	1	Spring-Extension
6	107-3344	1	Eyelet-Guide
11	106-9839	1	Shield ASM (Not Illustrated)
11:1	105-9425	1	Shield-12In
11:2	106-6467	1	Blade-Cutoff
11:3	105-9437	1	Screw-Pan Hd

--	--	--	--

